



# **LOCUST 1004**

**PERKINS 904J-E28T**

SPARE PARTS CATALOGUE





# **LOCUST 1004**

**PERKINS 904J-E28T**

SPARE PARTS CATALOGUE

## Obsah

|   |     |
|---|-----|
| FRAME ASSEMBLY 1                        | 11  |
| FRAME ASSEMBLY 2                        | 13  |
| WELDED FRAME                            | 15  |
| ENGINE WITH EQUIPMENT                   | 17  |
| COOLING SYSTEM                          | 19  |
| COOLER ASSEMBLY                         | 19  |
| COOLER ASSEMBLY                         | 21  |
| AIR SYSTEM                              | 23  |
| EXHAUST SYSTEM                          | 25  |
| TRANSMISSION                            | 27  |
| FUEL SYSTEM                             | 29  |
| HYDRAULICS OF DISTRIBUTOR               | 31  |
| BOOM LOWERING                           | 33  |
| HYDRAULICS OF PUMPS                     | 35  |
| 1-SPEED HYDROMOTOR ASSEMBLY             | 37  |
| 2-SPEED HYDROMOTOR ASSEMBLY             | 39  |
| HYDRAULICS OF 1-SPEED DRIVING           | 41  |
| HYDRAULICS OF 2-SPEED DRIVING           | 43  |
| HYDRAULICS OF BOOM                      | 45  |
| CYLINDERS AND PINS OF BOOM              | 47  |
| AUXILIARY HYDRAULICS                    | 49  |
| FLOATING AND DAMPING                    | 51  |
| ADDITIONAL COOLING                      | 53  |
| HYDRAULICS OF SPEED CLAMPING DEVICE     | 55  |
| FLOATING OF BOOM                        | 57  |
| TWO HANDED CONTROL IN CABIN             | 59  |
| CONTROL OF SX12 DISTRIBUTOR             | 61  |
| 1-SPEED CONTROL OF PUMPS                | 63  |
| 2-SPEED CONTROL OF PUMPS                | 65  |
| FUEL INJECTION PUMP CONTROL             | 67  |
| 1-SPEED ONE HANDED CONTROL OF PUMPS     | 69  |
| ONE HANDED CONTROL IN CABIN             | 71  |
| ONE HANDED CONTROL OF SX12 DISTRIBUTOR  | 73  |
| 2-SPEED ONE HANDED CONTROL OF PUMPS     | 75  |
| AUXILIARY ATTACHMENT PRESSURE RELIEF    | 77  |
| AUXILIARY ATTACHMENT PRESSURE RELIEF 2  | 79  |
| BOOM ASSEMBLY                           | 81  |
| SPEED CLAMPING DEVICE                   | 83  |
| HYDRAULIC SPEED CLAMPING DEVICE         | 85  |
| SIDE BOX ASSEMBLY                       | 87  |
| LEFT DOOR ASSEMBLY                      | 89  |
| REAR DOOR ASSEMBLY                      | 91  |
| FLIP-OUT COVER ASSEMBLY                 | 93  |
| FLIP-OUT COVER WITH VENTILATOR ASSEMBLY | 95  |
| LEFT DOOR 2 ASSEMBLY                    | 97  |
| RIGHT DOOR ASSEMBLY                     | 99  |
| MUDGUARDS ASSEMBLY                      | 101 |
| LEFT LIGHTS HOLDER ASSEMBLY             | 103 |
| RIGHT LIGHTS HOLDER ASSEMBLY            | 105 |
| ELECTRICAL EQUIPMENT – FRAME            | 107 |
| ELECTRICAL EQUIPMENT – FRAME            | 109 |
| ELECTRICAL EQUIPMENT – CABIN            | 111 |
| INSTRUMENT BOARD                        | 113 |
| REVERSING CAMERA                        | 115 |
| ADDITIONAL WORKING LIGHTS               | 117 |
| REVERSING CAMERA WITH 5 INCH DISPLAY    | 119 |
| BUCKET                                  | 121 |
| HEATING ASSEMBLY                        | 123 |
| AIR DISTRIBUTION                        | 125 |
| HEATING INTAKE                          | 127 |
| AIR CONDITION ACCESSORIES               | 129 |
| AIR CONDITION ASSEMBLY                  | 131 |
| BASIC EQUIPMENT                         | 133 |
| ADDITIONAL COUNTERWEIGHT                | 135 |
| WHEELS                                  | 137 |
| CABIN ASSEMBLY                          | 139 |
| DOOR ASSEMBLY                           | 141 |
| STANDARD WINDOWS ASSEMBLY               | 143 |
| PNEUMATIC SEAT                          | 145 |
| STANDARD SEAT ASSEMBLY                  | 147 |
| STANDARD PLASTIC                        | 149 |
| PLASTIC WITHOUT AUDIO                   | 151 |
| AUDIO SYSTEM                            | 153 |
| GREEN WINDOWS ASSEMBLY                  | 155 |
| DOOR ASSEMBLY                           | 157 |
| FOPS ASSEMBLY                           | 159 |



© 2023 WAY Industries ®

Spare parts catalogue

Edition: I/2023

Number: KND 21032301

## ORDER SAMPLE OF SPARE PARTS

---



### ATTENTION

1. Textual part of the catalogue is writed to the charts
2. When ordering spare parts, you have to state:
  - Serial number of machine for which spares are intended
  - Name of the part
  - Ordering number of the part
  - Number of pieces

**3. Adress your orders to:**

**WAY INDUSTRIES, a.s.  
Priemyselná 937/4  
963 01 Krupina  
Slovakia**

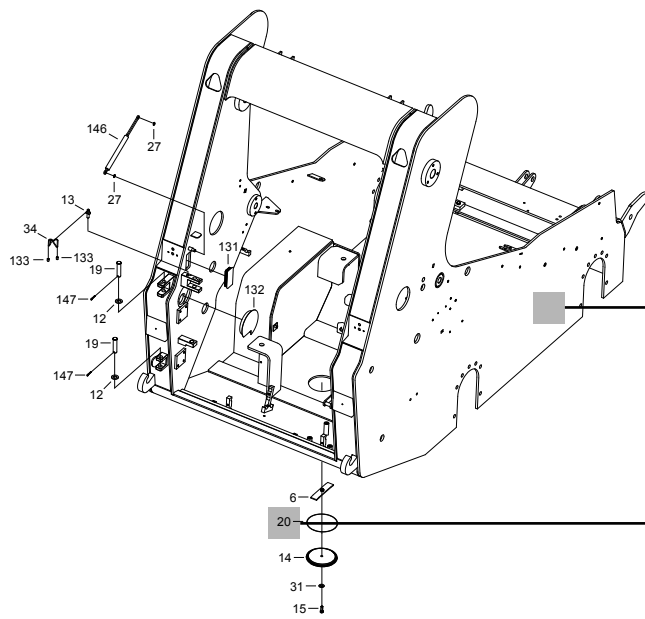


1

COMPLETE FRAME

02

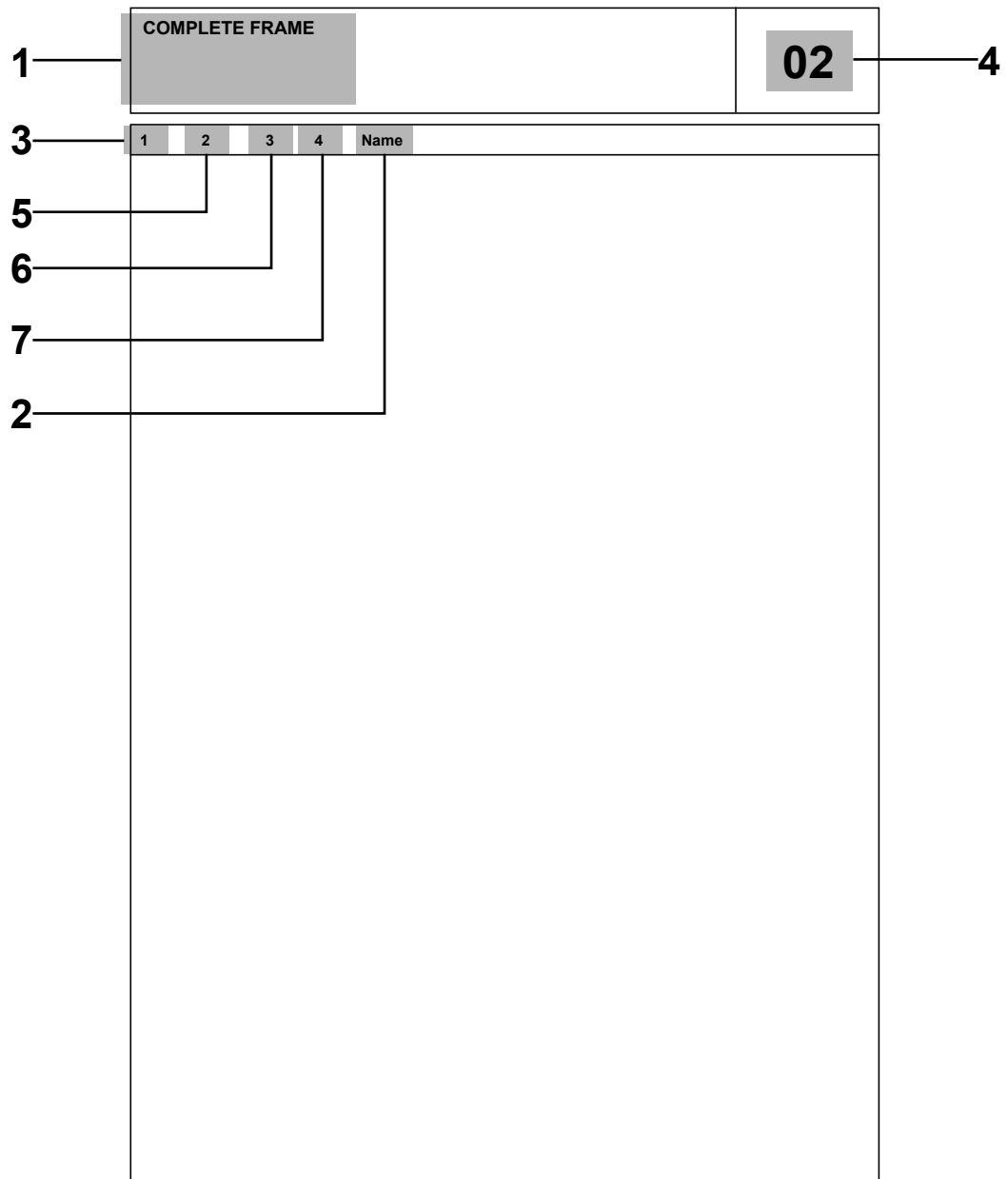
4



2

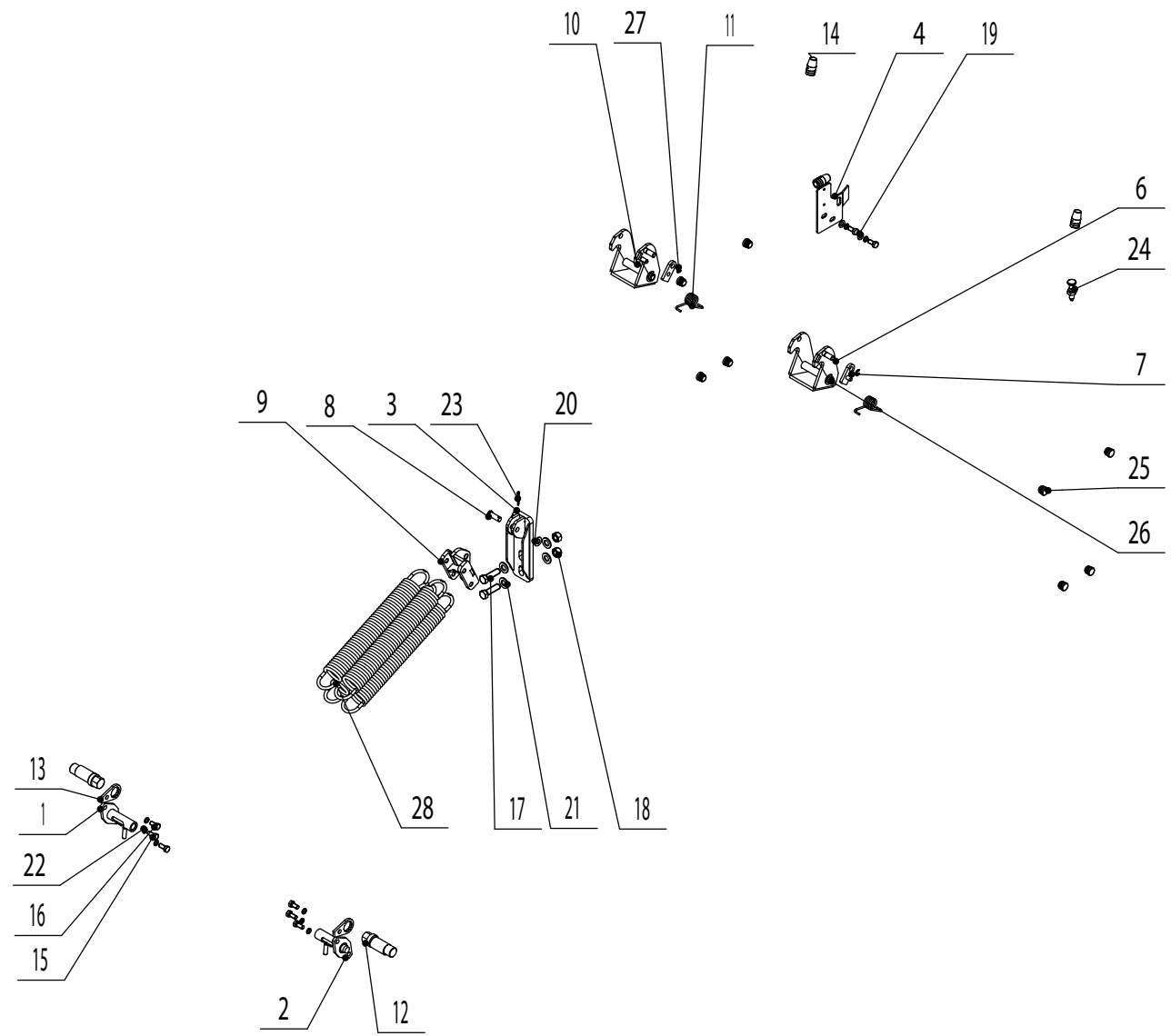
3

- 1 ► Name of group
- 2 ► Part
- 3 ► Item
- 4 ► Number of group

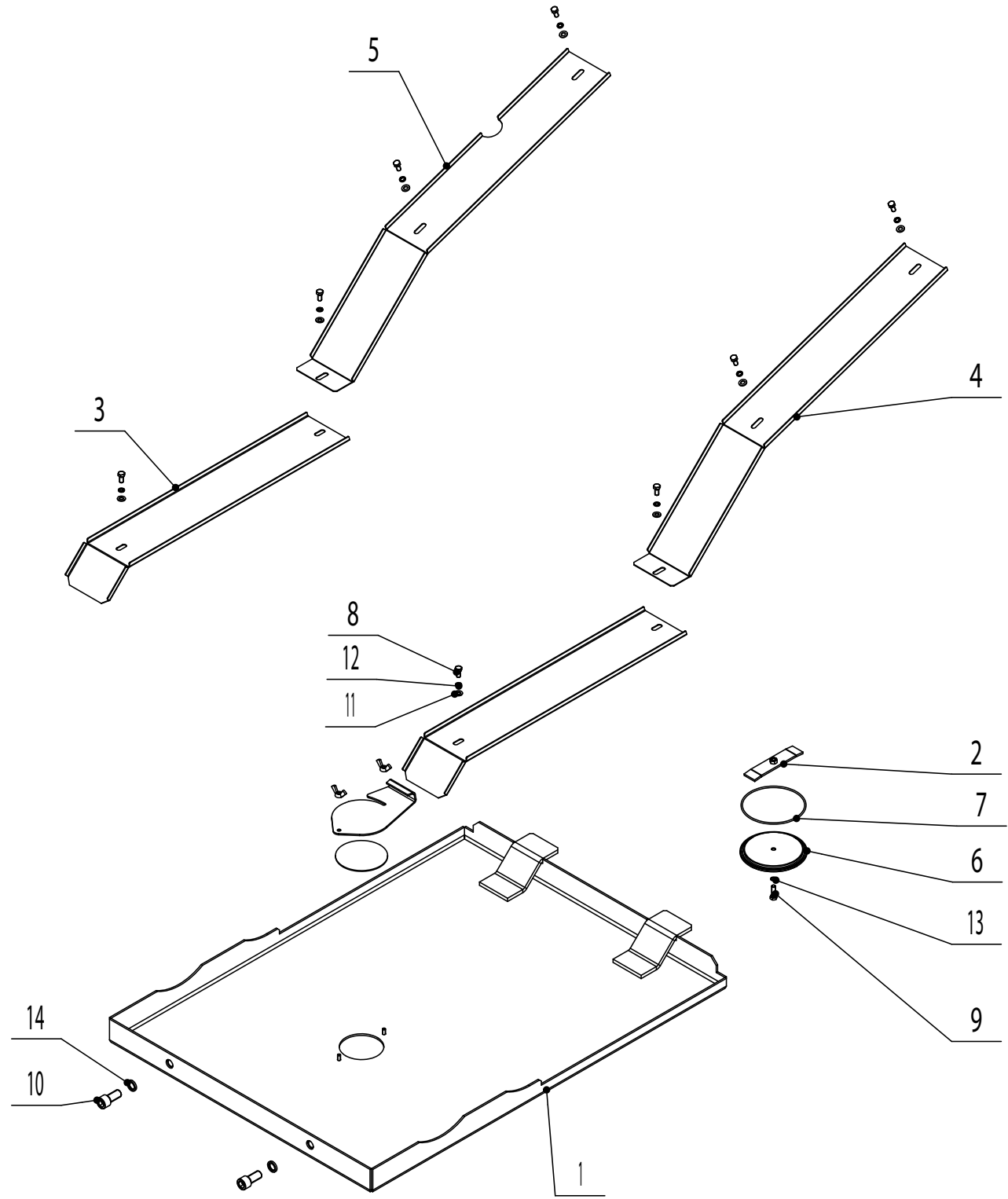


- 
- 1 ► Name of group
  - 2 ► Name of part
  - 3 ► Item
  - 4 ► Number of group
  - 5 ► Ordering number
  - 6 ► Number of pieces
  - 7 ► Modification

(for example: 463/02→ = part valid from serial number 463/02)

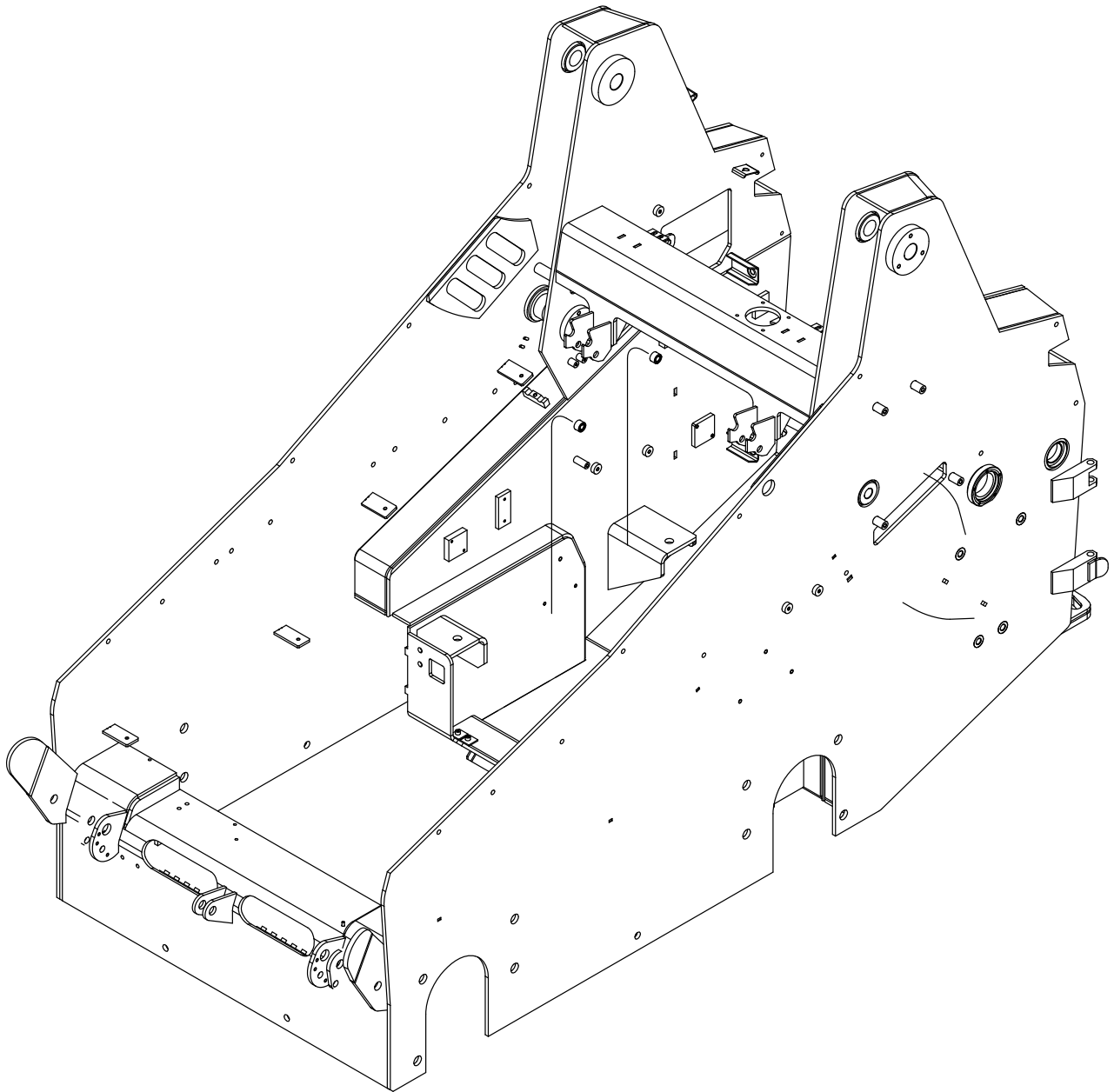


| 1  | 2        | 3 | 4 | Name                |
|----|----------|---|---|---------------------|
| 1  | 07020034 | 1 |   | RIGHT CAB LOCKER    |
| 2  | 07020033 | 1 |   | LEFT CAB LOCKER     |
| 3  | 20021003 | 1 |   | SPRING BRACKET      |
| 4  | 20021004 | 1 |   | CLOSING BRACKET     |
| 6  | 20021006 | 2 |   | LEFT JAW            |
| 7  | 00020015 | 2 |   | SAFETY              |
| 8  | 11020065 | 1 |   | PIN                 |
| 9  | 20021009 | 1 |   | WELDED ROCKER       |
| 10 | 20021010 | 2 |   | PIN                 |
| 11 | 00020007 | 2 |   | SPRING              |
| 12 | 00151023 | 2 |   | PIN                 |
| 13 | 00151026 | 2 |   | SAFETY              |
| 14 | 08120013 | 4 |   | STOP                |
| 15 | 01050017 | 4 |   | SCREW M8x18         |
| 16 | 01092018 | 4 |   | SCREW M8x16         |
| 17 | 06321012 | 2 |   | SCREW M12x40        |
| 18 | 01071017 | 2 |   | NUT M12             |
| 19 | 00020018 | 2 |   | WASHER 8.4          |
| 20 | 00083021 | 1 |   | WASHER 10.5         |
| 21 | 00031054 | 4 |   | WASHER 13           |
| 22 | 00020019 | 8 |   | WASHER 8.2          |
| 23 | 00174027 | 1 |   | COTTER PIN 3.2x25   |
| 24 | 20021024 | 1 |   | PIN WITH SPRING M10 |
| 25 | 20021025 | 8 |   | PLUG                |
| 26 | 07020014 | 4 |   | SAFETY RING 12      |
| 27 | 06263011 | 2 |   | SAFETY RING 7       |
| 28 | 00151021 | 4 |   | SPRING              |





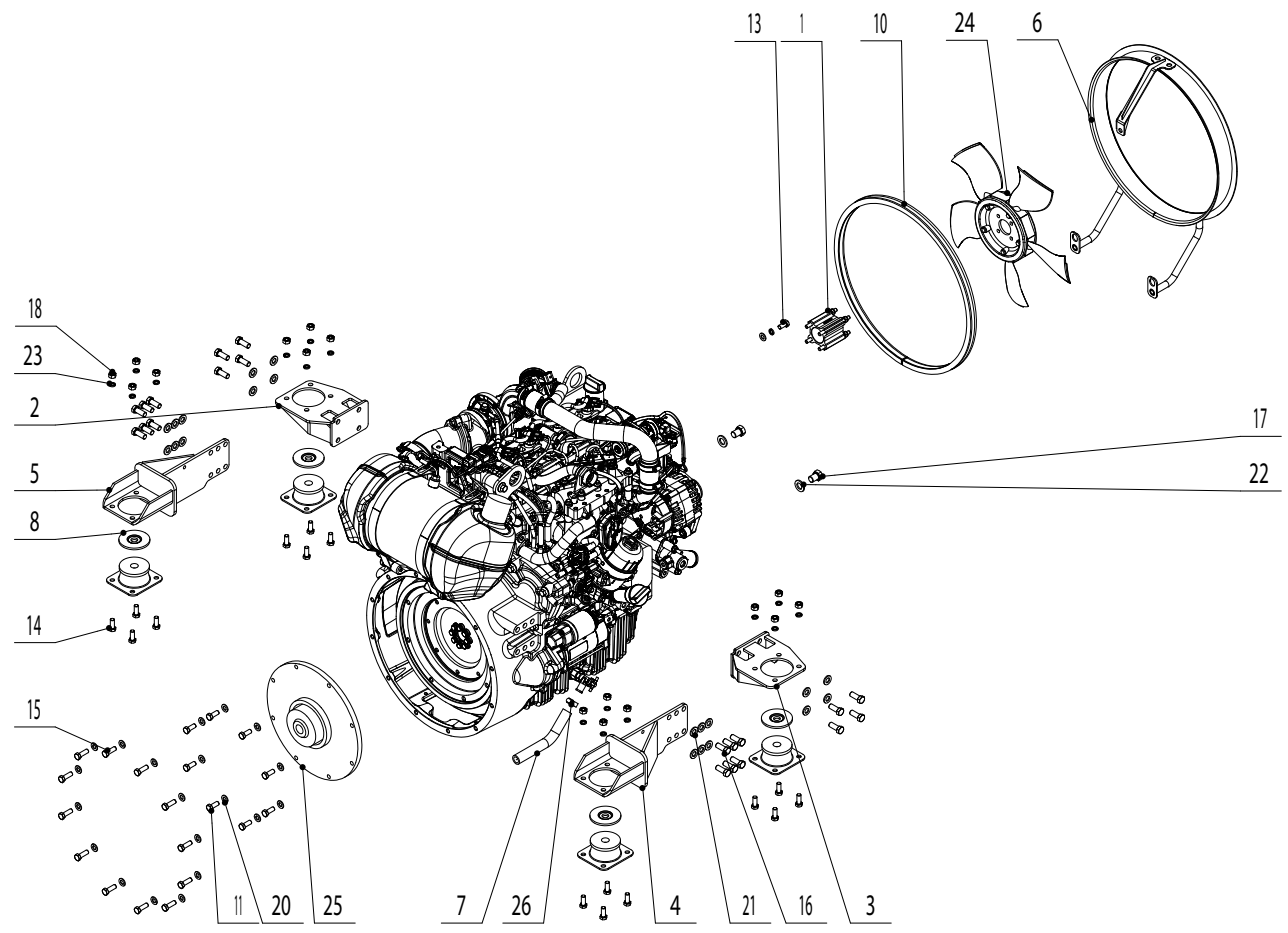
| 1  | 2        | 3 | 4 | Name               |
|----|----------|---|---|--------------------|
| 1  | 20022001 | 1 |   | FLOOR              |
| 2  | 00020021 | 1 |   | BRACKET            |
| 3  | 20022003 | 2 |   | FRONT SHEET        |
| 4  | 20022004 | 1 |   | REAR LEFT SHEET    |
| 5  | 20022005 | 1 |   | REAR RIGHT SHEET   |
| 6  | 00020022 | 1 |   | PLUG               |
| 7  | 00020025 | 1 |   | SEALING RING 125x3 |
| 8  | 01092018 | 8 |   | SCREW M8x16        |
| 9  | 07172007 | 1 |   | SCREW M8x25        |
| 10 | 07521027 | 2 |   | SCREW M16x35       |
| 11 | 00020018 | 8 |   | WASHER 8.4         |
| 12 | 00020019 | 8 |   | WASHER 8.2         |
| 13 | 07020019 | 1 |   | COPPER RING 8x12x1 |
| 14 | 00171024 | 2 |   | WASHER 16.3        |



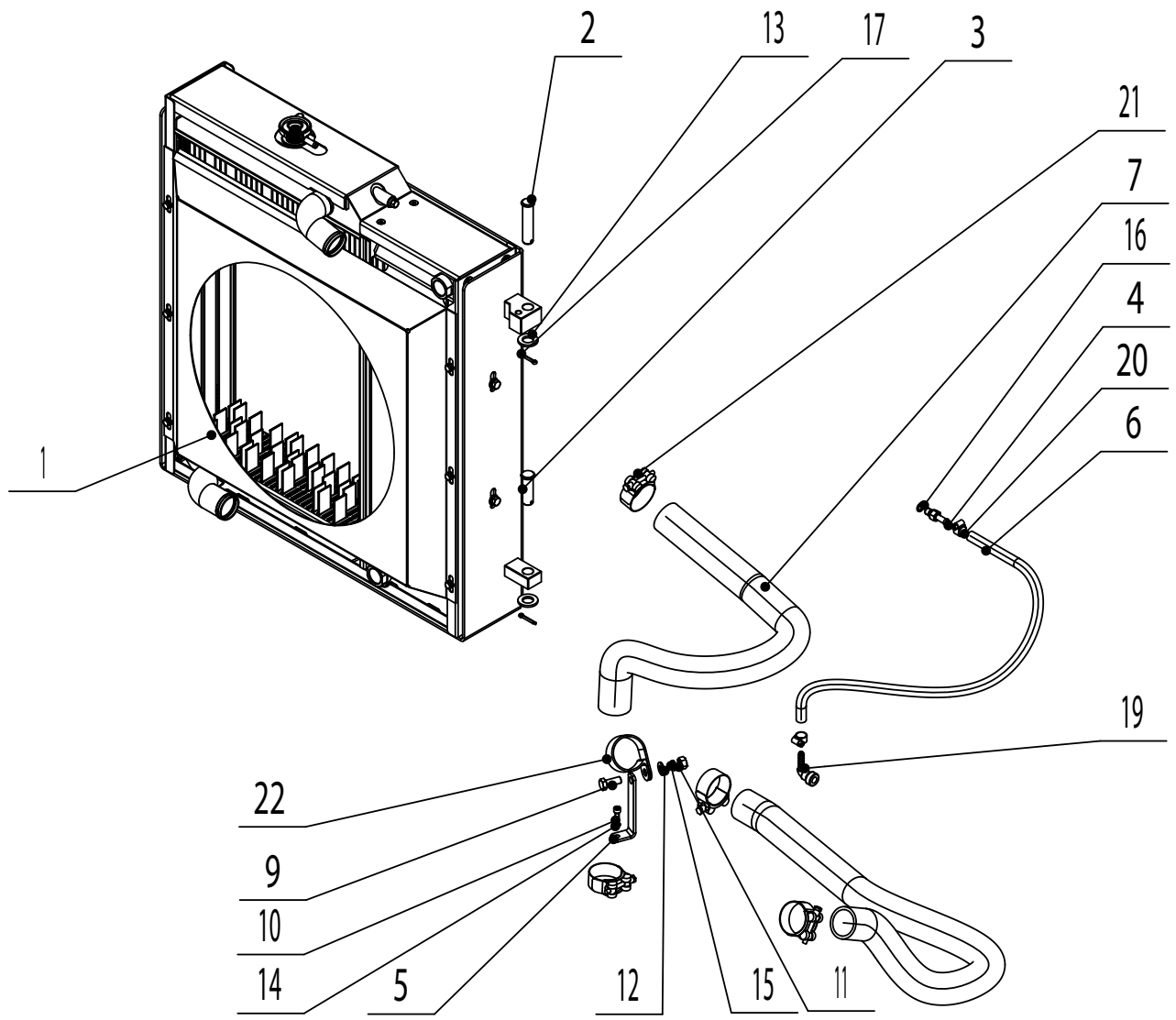
**WELDED FRAME**

**02.3**

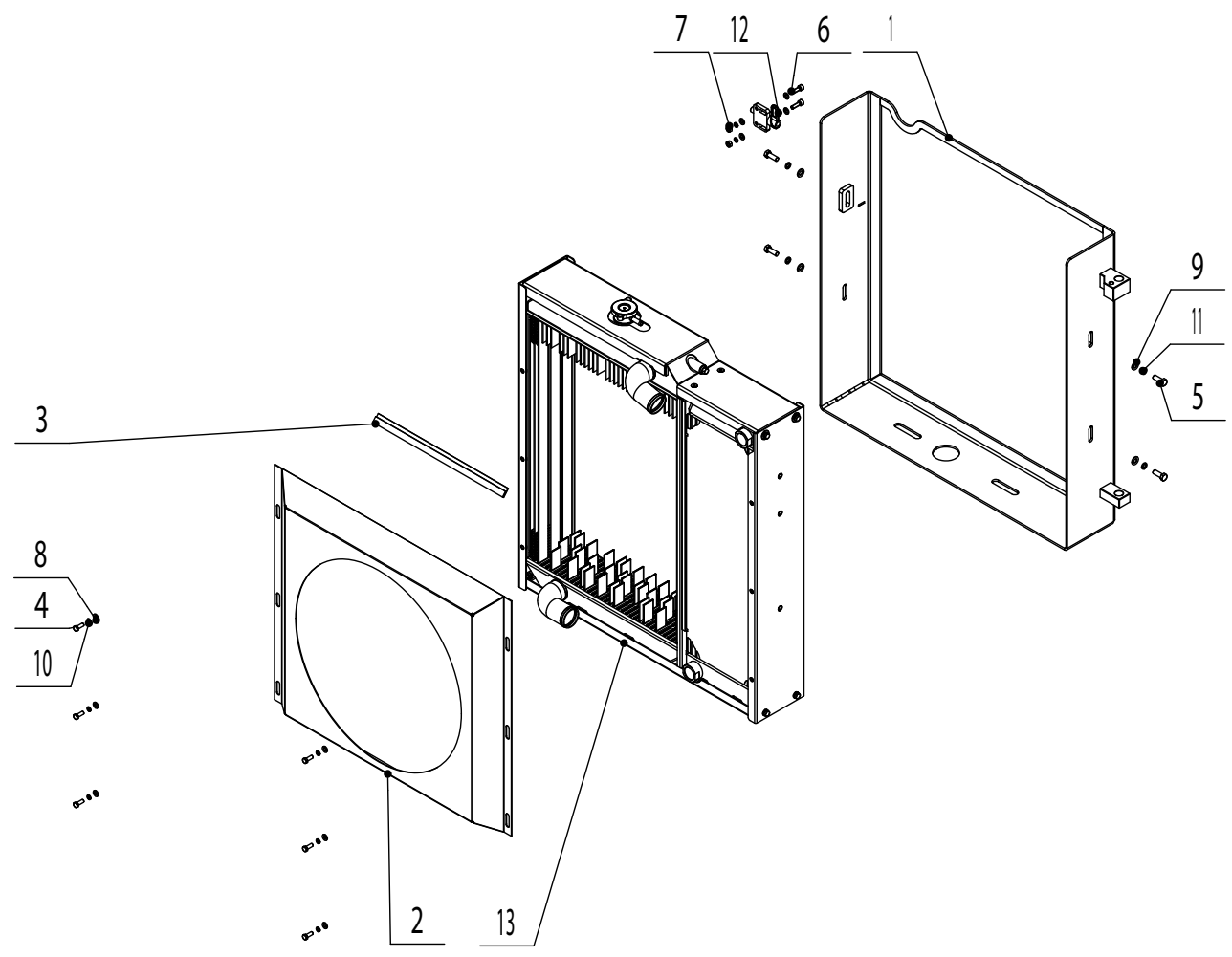
| 1 | 2        | 3 | 4 | Name         |
|---|----------|---|---|--------------|
| 1 | 21023001 | 1 |   | WELDED FRAME |



| 1  | 2        | 3    | 4 | Name                             |
|----|----------|------|---|----------------------------------|
| 1  | 12177077 | 1    |   | ENGINE PERKINS 904J-E28T STAGE V |
| 2  | 12177080 | 1    |   | RIGHT ENGINE BRACKET             |
| 3  | 12177081 | 1    |   | LEFT ENGINE BRACKET              |
| 4  | 12177078 | 1    |   | RIGHT BOX BRACKET                |
| 5  | 12177079 | 1    |   | LEFT BOX BRACKET                 |
| 6  | 21071006 | 1    |   | RIM                              |
| 7  | 07130019 | 0.2  |   | HOSE                             |
| 8  | 01071014 | 4    |   | SILENTBLOK                       |
| 10 | 01155013 | 1.45 |   | SEALING                          |
| 11 | 12177076 | 8    |   | SCREW                            |
| 13 | 00020028 | 1    |   | SCREW M10x20                     |
| 14 | 00085020 | 16   |   | SCREW M10x25                     |
| 15 | 00173002 | 12   |   | SCREW M10x30                     |
| 16 | 01071026 | 20   |   | SCREW M12x30                     |
| 17 | 12177083 | 2    |   | SCREW M16x20                     |
| 18 | 00173005 | 16   |   | NUT M10                          |
| 20 | 00083021 | 21   |   | WASHER 10.5                      |
| 21 | 00031054 | 20   |   | WASHER 13                        |
| 22 | 08178009 | 2    |   | WASHER 16                        |
| 23 | 00020029 | 17   |   | WASHER 10                        |
| 24 | 12178099 | 1    |   | FAN                              |
| 25 | 07171023 | 1    |   | CLUTCH                           |
| 26 | 07130020 | 1    |   | HOSE CLAMP                       |

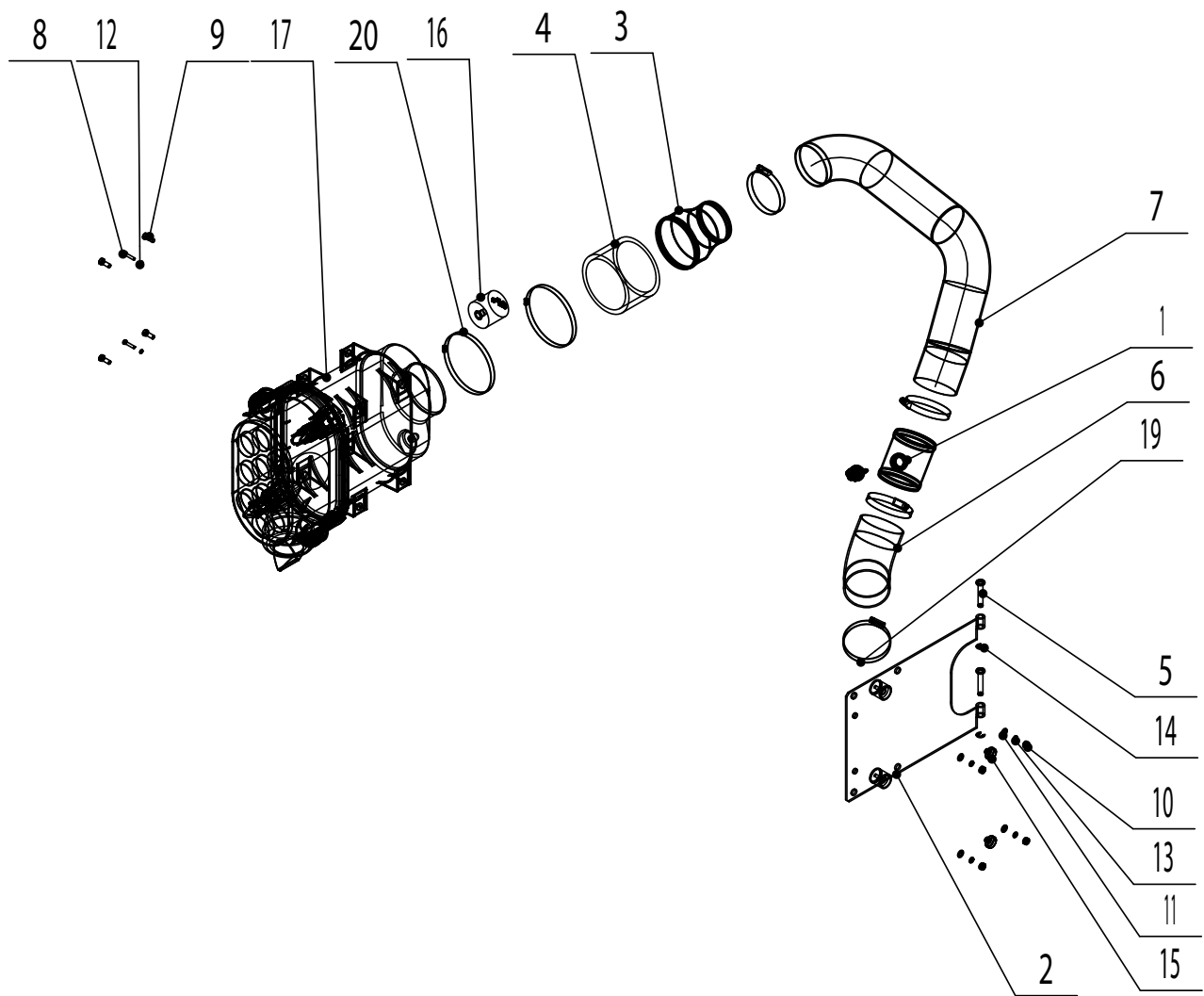


| 1  | 2        | 3    | 4 | Name                |
|----|----------|------|---|---------------------|
| 1  | 21072001 | 1    |   | COOLER ASSEMBLY     |
| 2  | 07120009 | 1    |   | PIN                 |
| 3  | 11173008 | 1    |   | PIN                 |
| 4  | 14179109 | 1    |   | SOCKET              |
| 5  | 21072005 | 1    |   | BRACKET             |
| 6  | 07050011 | 0.75 |   | HOSE                |
| 7  | 08164007 | 1.72 |   | WATER HOSE          |
| 9  | 00085020 | 1    |   | SCREW M10x25        |
| 10 | 01082030 | 1    |   | SCREW M6x16         |
| 11 | 00173005 | 1    |   | NUT M10             |
| 12 | 00083021 | 1    |   | WASHER 10.5         |
| 13 | 08178009 | 2    |   | WASHER 16           |
| 14 | 00031055 | 1    |   | WASHER 6            |
| 15 | 00020029 | 1    |   | WASHER 10           |
| 16 | 00191055 | 1    |   | RING                |
| 17 | 07110015 | 2    |   | COTTER PIN 4x25     |
| 18 | 09121074 | 10   |   | BINDER CABLE        |
| 19 | 12183123 | 1    |   | TWIN PLUG CONNECTOR |
| 20 | 01050013 | 2    |   | HOSE CLAMP          |
| 21 | 20071036 | 4    |   | HOSE CLAMP          |
| 22 | 13061049 | 1    |   | CLAMP               |

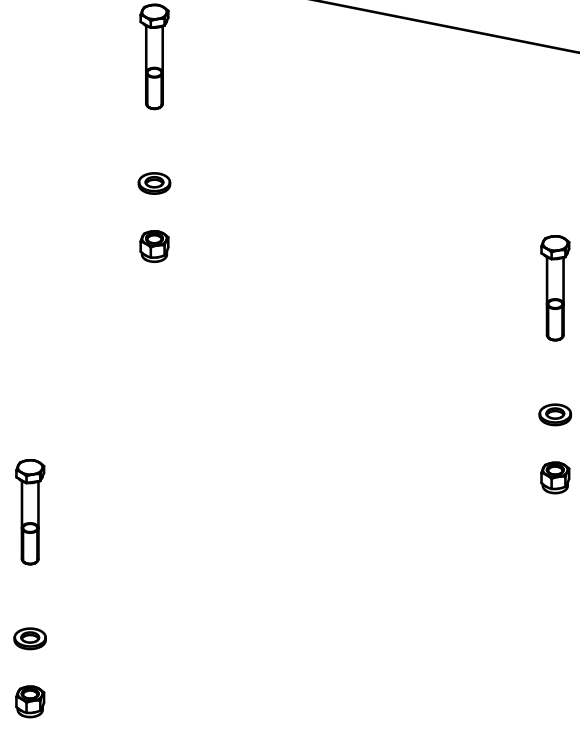
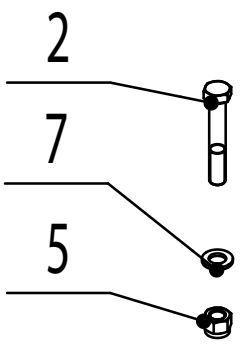
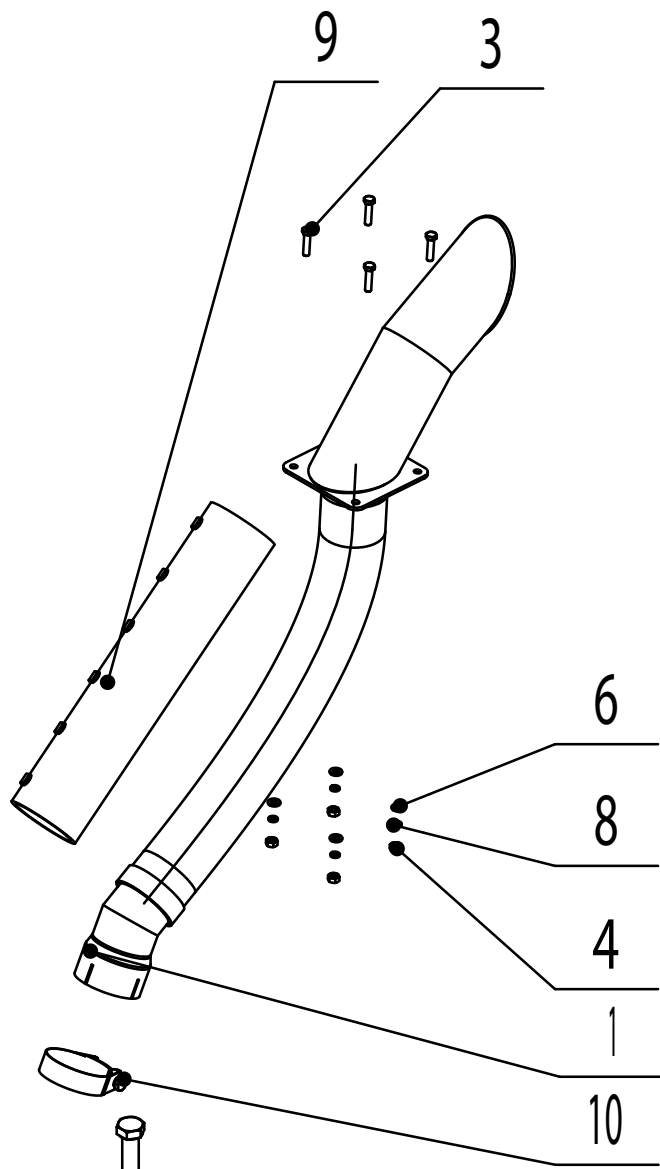




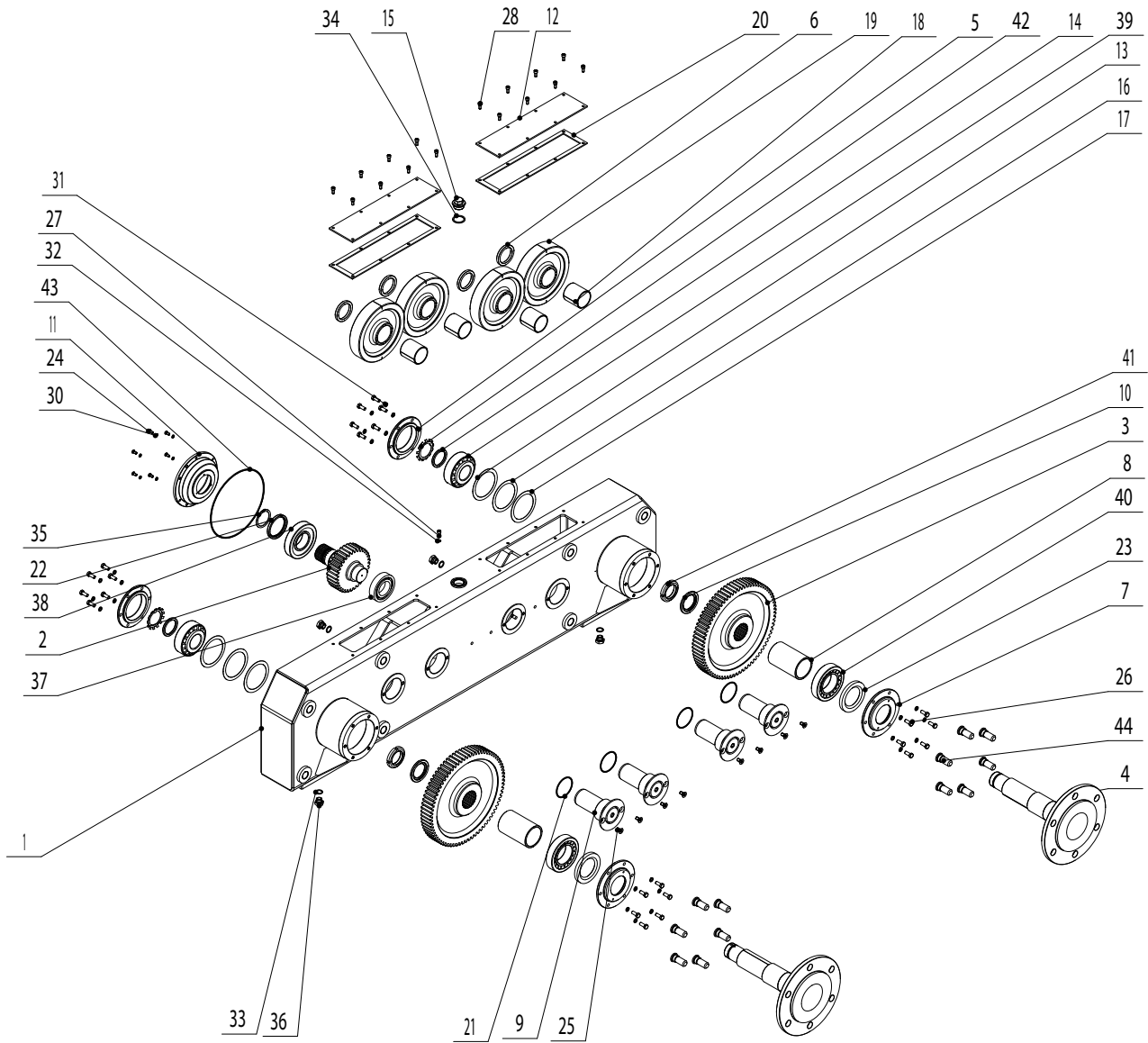
| 1  | 2        | 3  | 4 | Name         |
|----|----------|----|---|--------------|
| 1  | 21074001 | 1  |   | COOLER FRAME |
| 2  | 21074002 | 1  |   | SHEET        |
| 3  | 08110031 | 1  |   | PROFILE      |
| 4  | 02121018 | 6  |   | SCREW M6x16  |
| 5  | 00172087 | 4  |   | SCREW M8x22  |
| 6  | 01215022 | 2  |   | SCREW M6x20  |
| 7  | 01083033 | 2  |   | NUT M6       |
| 8  | 00020012 | 10 |   | WASHER 6.4   |
| 9  | 00020018 | 4  |   | WASHER 8     |
| 10 | 00031055 | 8  |   | WASHER 6     |
| 11 | 00020019 | 4  |   | WASHER 8     |
| 12 | 21074012 | 1  |   | PISTON       |
| 13 | 08165012 | 1  |   | COOLER       |



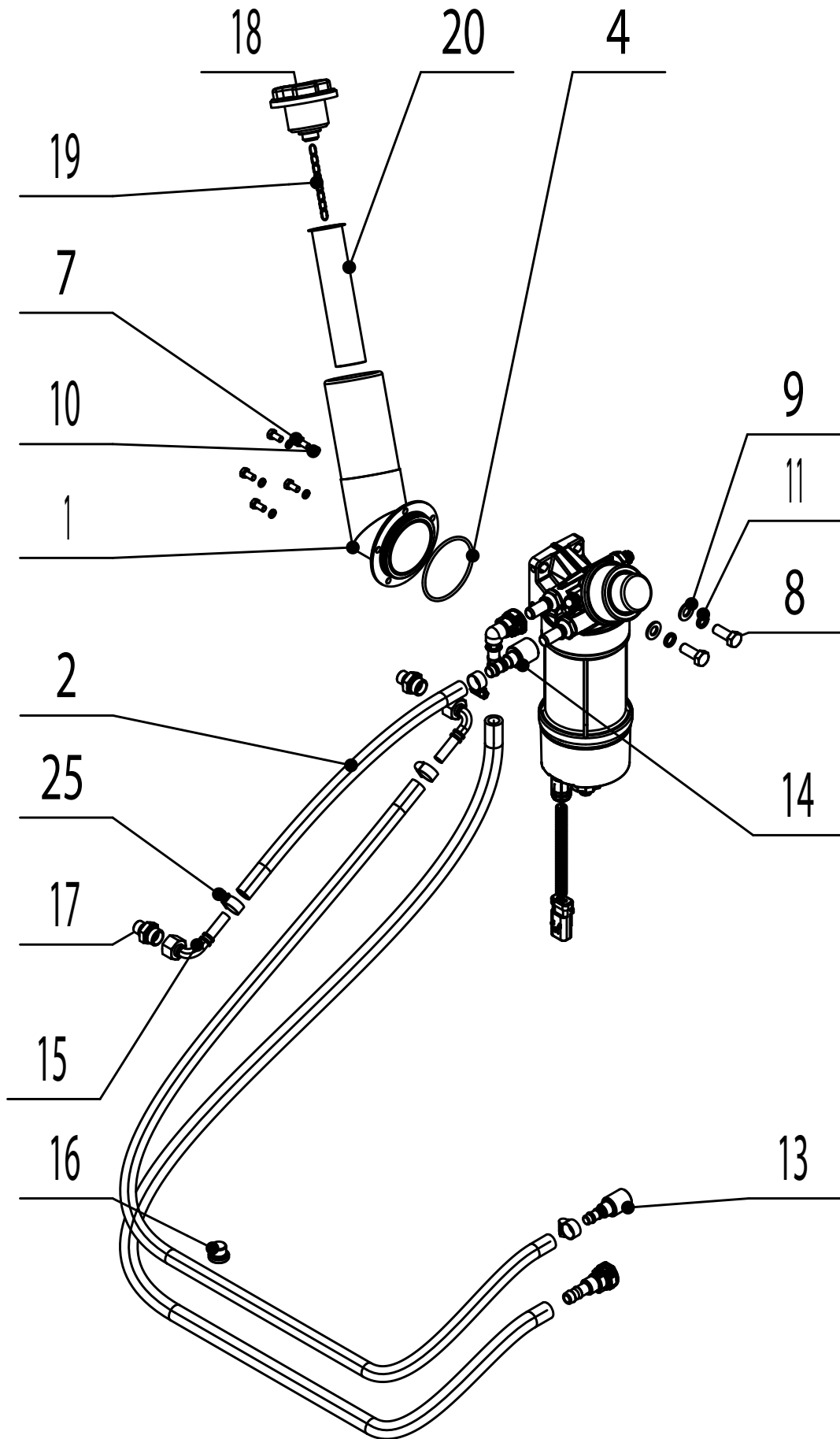
| 1  | 2        | 3    | 4 | Name            |
|----|----------|------|---|-----------------|
| 1  | 12178096 | 1    |   | INTAKE PIPE     |
| 2  | 20073002 | 1    |   | FILTER BRACKET  |
| 3  | 21073003 | 1    |   | REDUCTION       |
| 4  | 08177010 | 1    |   | HOSE            |
| 5  | 20073003 | 2    |   | PIN             |
| 6  | 21073006 | 1    |   | SOCKET          |
| 7  | 21073007 | 0.65 |   | AIR HOSE        |
| 8  | 00084011 | 2    |   | SCREW M4x20     |
| 9  | 02121018 | 4    |   | SCREW M6x16     |
| 10 | 01083033 | 4    |   | NUT M6          |
| 11 | 00020012 | 4    |   | WASHER 6.4      |
| 12 | 00111035 | 2    |   | WASHER 4.1      |
| 13 | 00031055 | 4    |   | WASHER 6        |
| 14 | 07020015 | 2    |   | SAFETY RING 7   |
| 15 | 20073012 | 2    |   | MAGNETIC HANDLE |
| 16 | 07175039 | 1    |   | INDICATOR       |
| 17 | 21073017 | 1    |   | FILTER          |
| 19 | 01073007 | 4    |   | HOSE CLAMP      |
| 20 | 09152020 | 2    |   | HOSE CLAMP      |



| <b>1</b> | <b>2</b> | <b>3</b> | <b>4</b> | <b>Name</b>        |
|----------|----------|----------|----------|--------------------|
| 1        | 21075001 | 1        |          | EXHAUST MANIFOLD   |
| 2        | 00211012 | 2        |          | SCREW M16x100      |
| 3        | 09068032 | 3        |          | SCREW M6x25        |
| 4        | 01083033 | 4        |          | NUT M6             |
| 5        | 01071013 | 5        |          | NUT M16            |
| 6        | 00020012 | 6        |          | WASHER 6.4         |
| 7        | 08178009 | 7        |          | WASHER 16          |
| 8        | 00031055 | 8        |          | WASHER 6           |
| 9        | 14212048 | 9        |          | MANIFOLD ISOLATION |
| 10       | 12182014 | 10       |          | HOSE CLAMP         |
| 11       | 20251009 | 11       |          | FACING             |

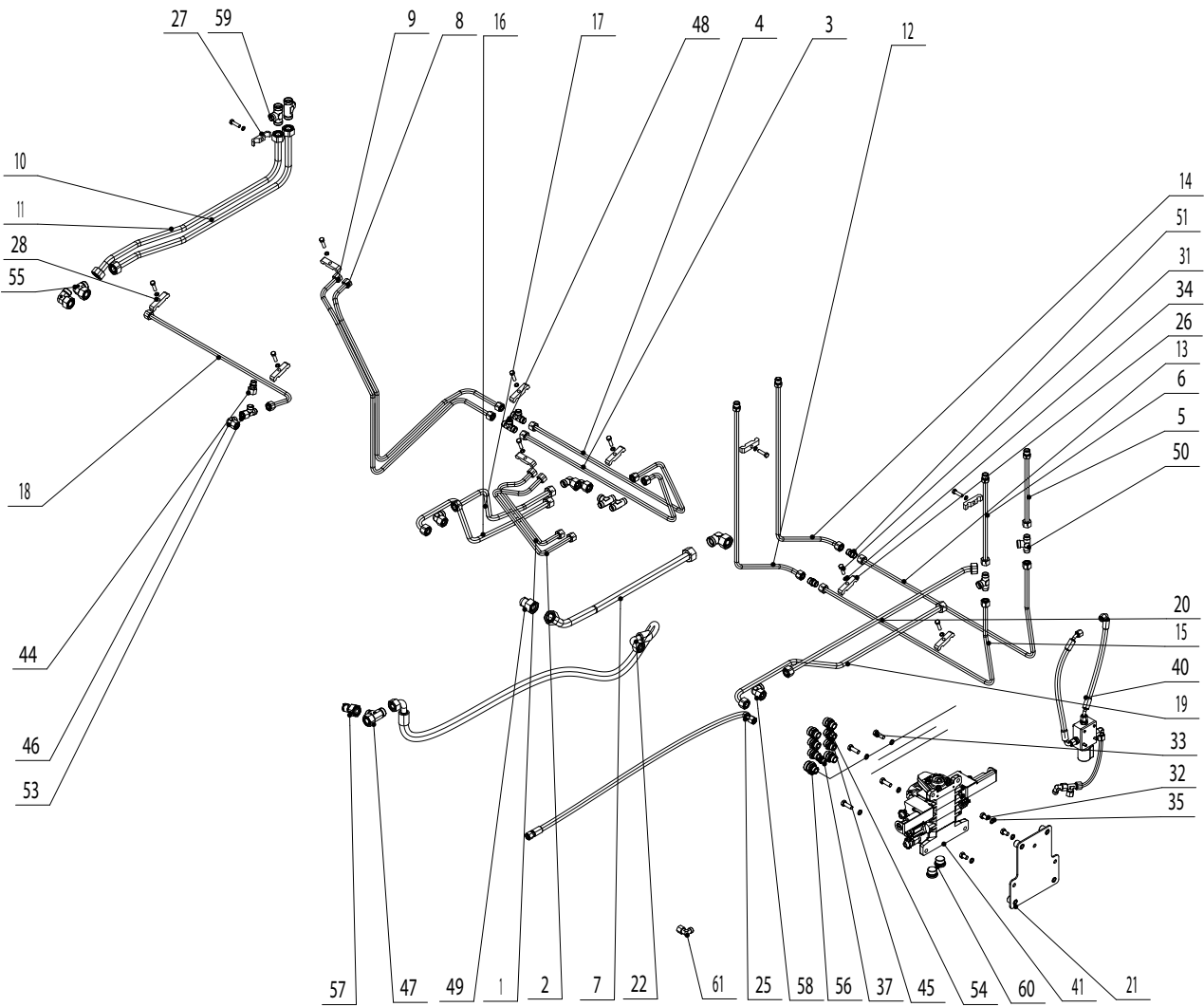


| 1  | 2        | 3  | 4 | Name                |
|----|----------|----|---|---------------------|
| 1  | 21091001 | 1  |   | HOUSING             |
| 2  | 21091002 | 1  |   | PINION              |
| 3  | 21091003 | 2  |   | WHEEL               |
| 4  | 12035013 | 2  |   | SHAFT               |
| 5  | 07033018 | 2  |   | COVER               |
| 6  | 14035005 | 4  |   | RING                |
| 7  | 07031007 | 2  |   | COVER 13            |
| 8  | 07033007 | 2  |   | SPACER              |
| 9  | 07033008 | 4  |   | SHAFT               |
| 10 | 07033009 | 2  |   | RING                |
| 11 | 07033010 | 1  |   | COVER 17            |
| 12 | 07033050 | 2  |   | COVER               |
| 13 | 07033012 | 2  |   | WASHER              |
| 14 | 07031012 | 2  |   | WASHER              |
| 15 | 07033023 | 1  |   | PLUG                |
| 16 | 07033013 | 2  |   | WASHER 80x100x0.15  |
| 17 | 07033014 | 2  |   | WASHER 80x100x0.3   |
| 18 | 14035016 | 4  |   | BUSHING             |
| 19 | 21091019 | 4  |   | WHEEL               |
| 20 | 20091051 | 2  |   | SEALING             |
| 21 | 07033026 | 4  |   | SEALING RING 60x3   |
| 22 | 07033021 | 1  |   | SEAL                |
| 23 | 07031015 | 2  |   | SEAL                |
| 24 | 14035031 | 6  |   | SCREW M6x12         |
| 25 | 07033045 | 8  |   | SCREW M8x16-H1      |
| 26 | 00996006 | 24 |   | SCREW M8x20         |
| 27 | 00076010 | 1  |   | SCREW M6x10         |
| 28 | 13142011 | 16 |   | SCREW M6x14         |
| 30 | 00031055 | 6  |   | WASHER 6            |
| 31 | 00020019 | 24 |   | WASHER 8            |
| 32 | 00076017 | 1  |   | COPPER RING 6x10x1  |
| 33 | 00062033 | 4  |   | RING 16x20x1.5      |
| 34 | 00066016 | 1  |   | COPPER RING 30x36x2 |
| 35 | 07033038 | 1  |   | SAFETY RING 50      |
| 36 | 00075015 | 4  |   | PLUG M16X1.5        |
| 37 | 07031018 | 1  |   | BEARING             |
| 38 | 07031017 | 1  |   | BEARING             |
| 39 | 07031013 | 2  |   | BEARING             |
| 40 | 07031014 | 2  |   | BEARING             |
| 41 | 00033016 | 2  |   | NUT                 |
| 42 | 00033017 | 2  |   | WASHER              |
| 43 | 12035027 | 1  |   | SEALING             |
| 44 | 00031027 | 12 |   | SCREW               |

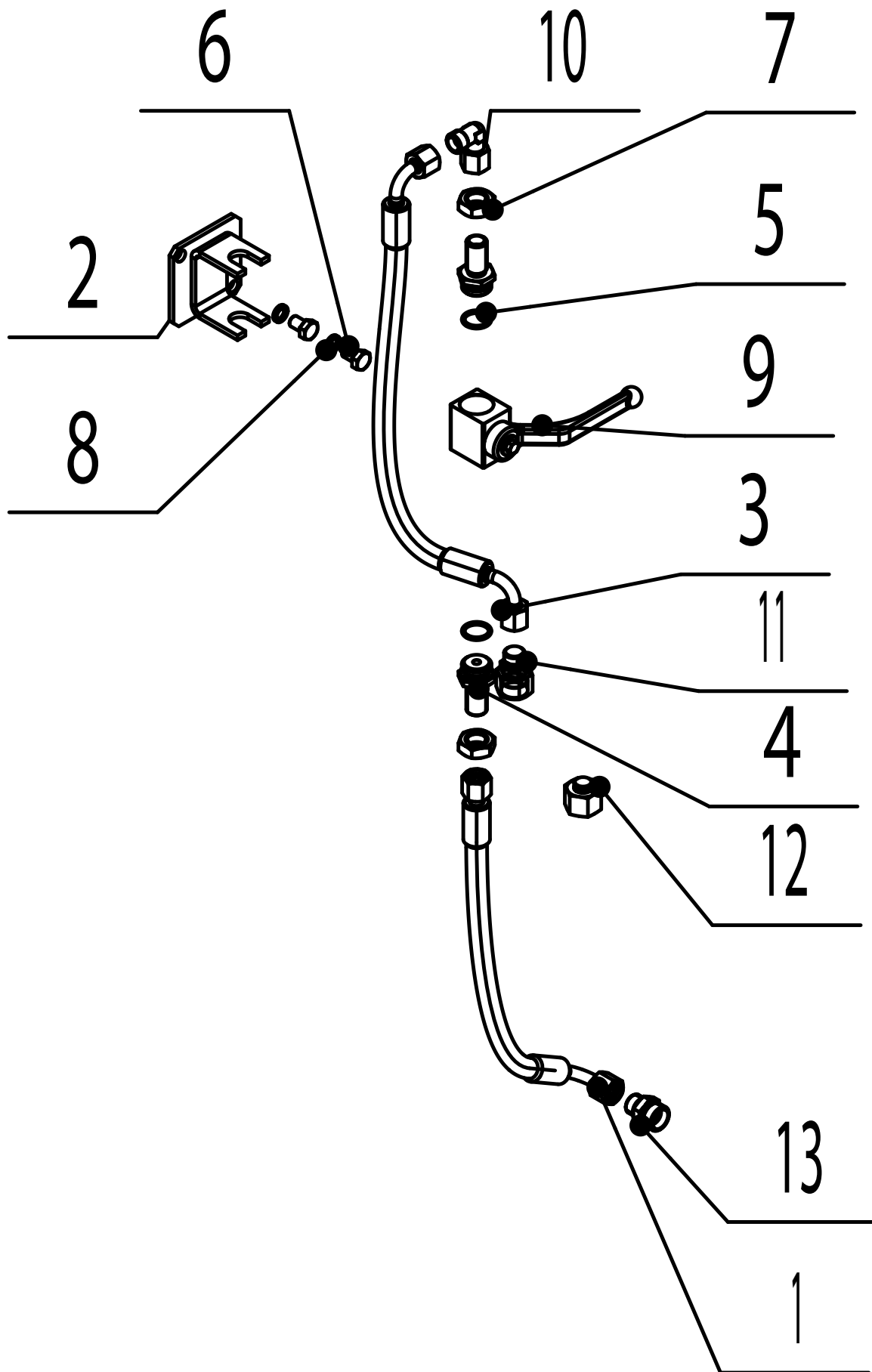




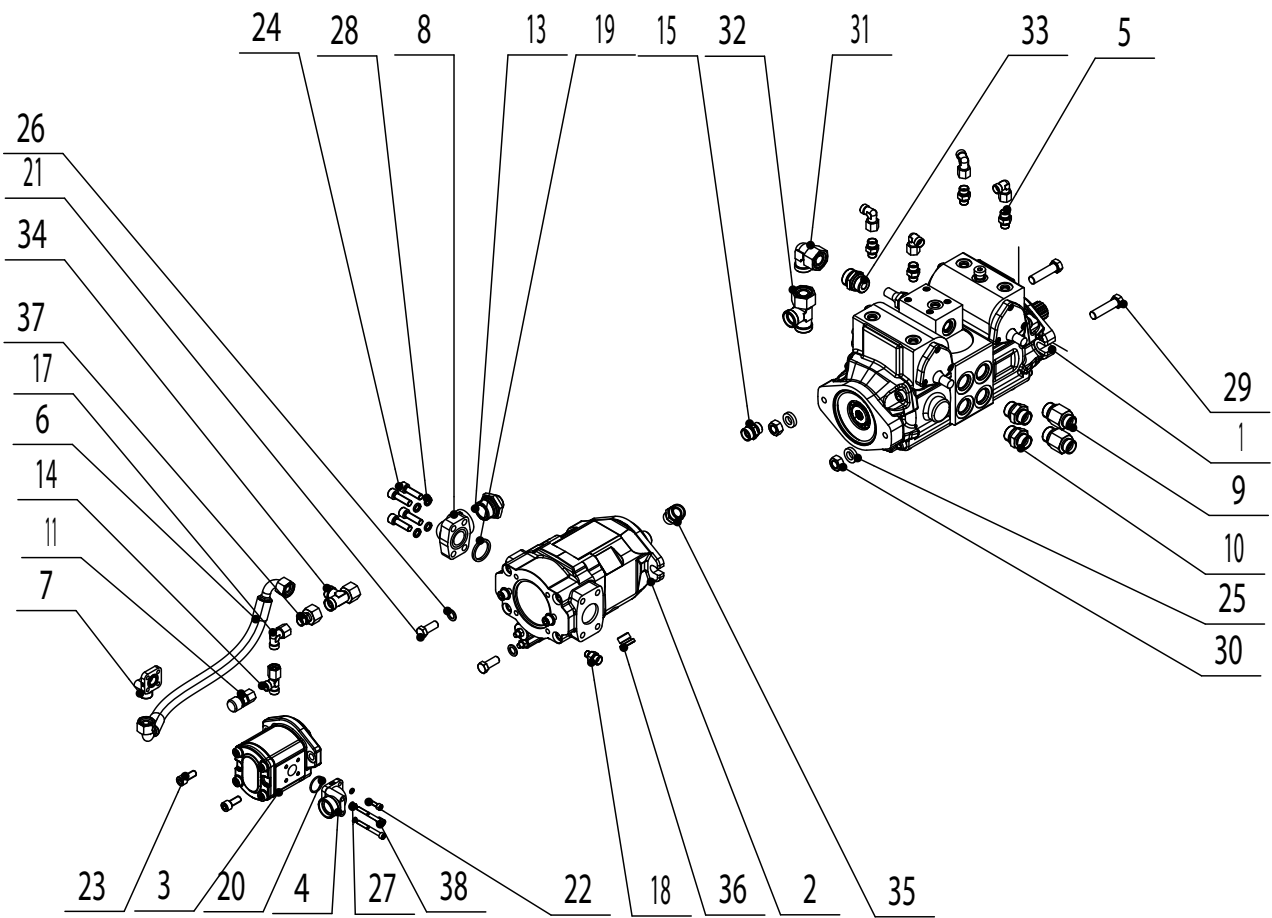
| 1  | 2        | 3    | 4 | Name                 |
|----|----------|------|---|----------------------|
| 1  | 20151001 | 1    |   | SOCKET               |
| 2  | 12051113 | 1.77 |   | HOSE                 |
| 4  | 07050028 | 1    |   | SEALING RING 70x3    |
| 6  | 11050025 | 3.27 |   | PROTECTION           |
| 7  | 06261026 | 5    |   | SCREW M6x12          |
| 8  | 00085020 | 2    |   | SCREW M10x25         |
| 9  | 00083021 | 2    |   | WASHER 10.5          |
| 10 | 00031055 | 5    |   | WASHER 6             |
| 11 | 00020029 | 2    |   | WASHER 10            |
| 12 | 14102052 | 10   |   | BINDER CABLE 200x4.8 |
| 13 | 12051118 | 1    |   | TWIN PLUG CONNECTOR  |
| 14 | 12051117 | 1    |   | TWIN PLUG CONNECTOR  |
| 15 | 12051116 | 2    |   | ENDING               |
| 16 | 20151022 | 1    |   | PLUG                 |
| 17 | 12051115 | 2    |   | SOCKET               |
| 18 | 12063088 | 1    |   | PLUG                 |
| 19 | 20151024 | 1    |   | CHAIN                |
| 20 | 20151025 | 1    |   | SIEVE FILTER         |
| 25 | 01050013 | 4    |   | HOSE CLAMP           |



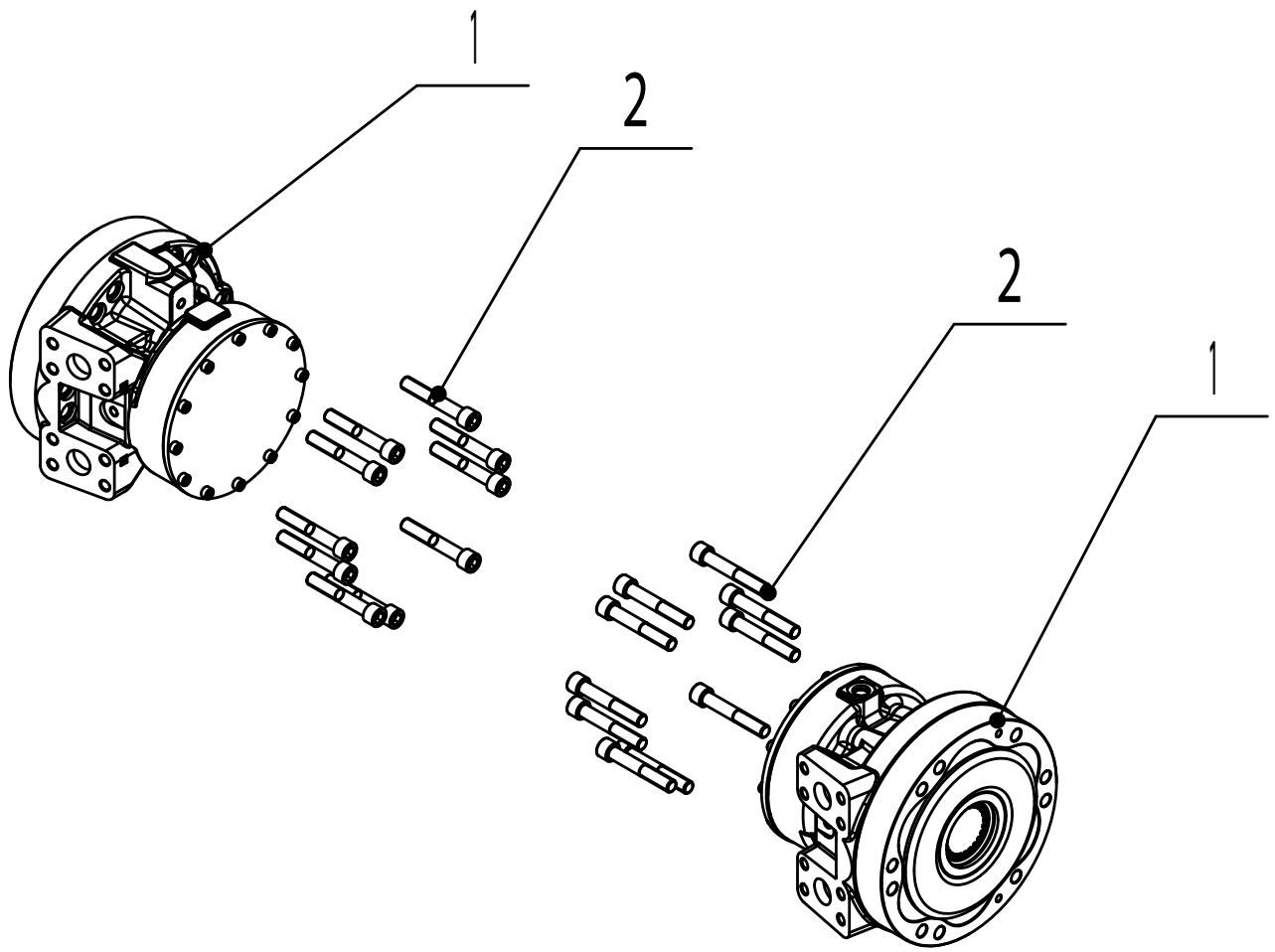
| 1  | 2        | 3  | 4 | Name                                 |
|----|----------|----|---|--------------------------------------|
| 1  | 21191001 | 1  |   | PIPING                               |
| 2  | 21191002 | 1  |   | PIPING                               |
| 3  | 21191003 | 1  |   | PIPING                               |
| 4  | 21191004 | 1  |   | PIPING                               |
| 5  | 21191005 | 1  |   | PIPING                               |
| 6  | 21191006 | 1  |   | PIPING                               |
| 7  | 21191007 | 1  |   | PIPING                               |
| 8  | 21191008 | 1  |   | PIPING                               |
| 9  | 21191009 | 1  |   | PIPING                               |
| 10 | 21191010 | 1  |   | PIPING                               |
| 11 | 21191011 | 1  |   | PIPING                               |
| 12 | 21191012 | 1  |   | PIPING                               |
| 13 | 21191013 | 1  |   | PIPING                               |
| 14 | 21191014 | 1  |   | PIPING                               |
| 15 | 21191015 | 1  |   | PIPING                               |
| 16 | 21191016 | 1  |   | PIPING                               |
| 17 | 21191017 | 1  |   | PIPING                               |
| 18 | 21191018 | 1  |   | PIPING                               |
| 19 | 21191019 | 1  |   | PIPING                               |
| 20 | 21191020 | 1  |   | PIPING                               |
| 21 | 21191021 | 1  |   | BRACKET                              |
| 22 | 21191022 | 1  |   | HOSE                                 |
| 25 | 21191025 | 1  |   | HOSE                                 |
| 26 | 09062031 | 8  |   | CLAMP                                |
| 27 | 11064008 | 1  |   | CLAMP                                |
| 28 | 21191028 | 2  |   | CLAMP                                |
| 31 | 07172008 | 11 |   | SCREW M8x30                          |
| 32 | 09121035 | 3  |   | SCREW M10x16                         |
| 33 | 00173002 | 4  |   | SCREW M10x30                         |
| 34 | 00020019 | 11 |   | WASHER 8                             |
| 35 | 00020029 | 7  |   | WASHER 10                            |
| 37 | 07081043 | 1  |   | SOCKET                               |
| 40 | 21191040 | 1  |   | AUXILIARY ATTACHMENT PRESSURE RELIEF |
| 41 | 11062065 | 1  |   | DISTRIBUTOR 3SX12                    |
| 44 | 21191044 | 1  |   | REDUCTION                            |
| 45 | 07420003 | 4  |   | SOCKET                               |
| 46 | 15062034 | 1  |   | SOCKET                               |
| 47 | 11063007 | 1  |   | SOCKET                               |
| 48 | 09066027 | 2  |   | PROFILE                              |
| 49 | 09175019 | 2  |   | SOCKET                               |
| 50 | 11062056 | 4  |   | SOCKET                               |
| 51 | 11062036 | 2  |   | CLUTCH                               |
| 53 | 11062082 | 1  |   | SOCKET                               |
| 54 | 07420009 | 3  |   | SOCKET                               |
| 55 | 07062056 | 2  |   | L-SOCKET                             |
| 56 | 08420004 | 1  |   | SOCKET                               |
| 57 | 21191057 | 1  |   | CLUTCH                               |
| 58 | 15063017 | 4  |   | L-SOCKET                             |
| 59 | 21191059 | 2  |   | T-REDUCTION                          |
| 60 | 11062058 | 2  |   | PLUG                                 |
| 61 | 07081040 | 1  |   | SOCKET                               |



| <b>1</b> | <b>2</b> | <b>3</b> | <b>4</b> | <b>Name</b>       |
|----------|----------|----------|----------|-------------------|
| 1        | 21192001 | 1        |          | HOSE              |
| 2        | 12021098 | 1        |          | BRACKET           |
| 3        | 20191026 | 1        |          | HOSE              |
| 4        | 11062025 | 2        |          | SOCKET            |
| 5        | 07062083 | 2        |          | SEALING RING 16x2 |
| 6        | 00091019 | 2        |          | SCREW M8x12       |
| 7        | 00176002 | 2        |          | NUT M14x1.5       |
| 8        | 00020019 | 2        |          | WASHER 8          |
| 9        | 11062002 | 1        |          | BALL VALVE        |
| 10       | 15082028 | 1        |          | CLUTCH            |
| 11       | 21192011 | 1        |          | SOCKET            |
| 12       | 21192012 | 1        |          | PLUG              |
| 13       | 21192013 | 1        |          | CLUTCH            |



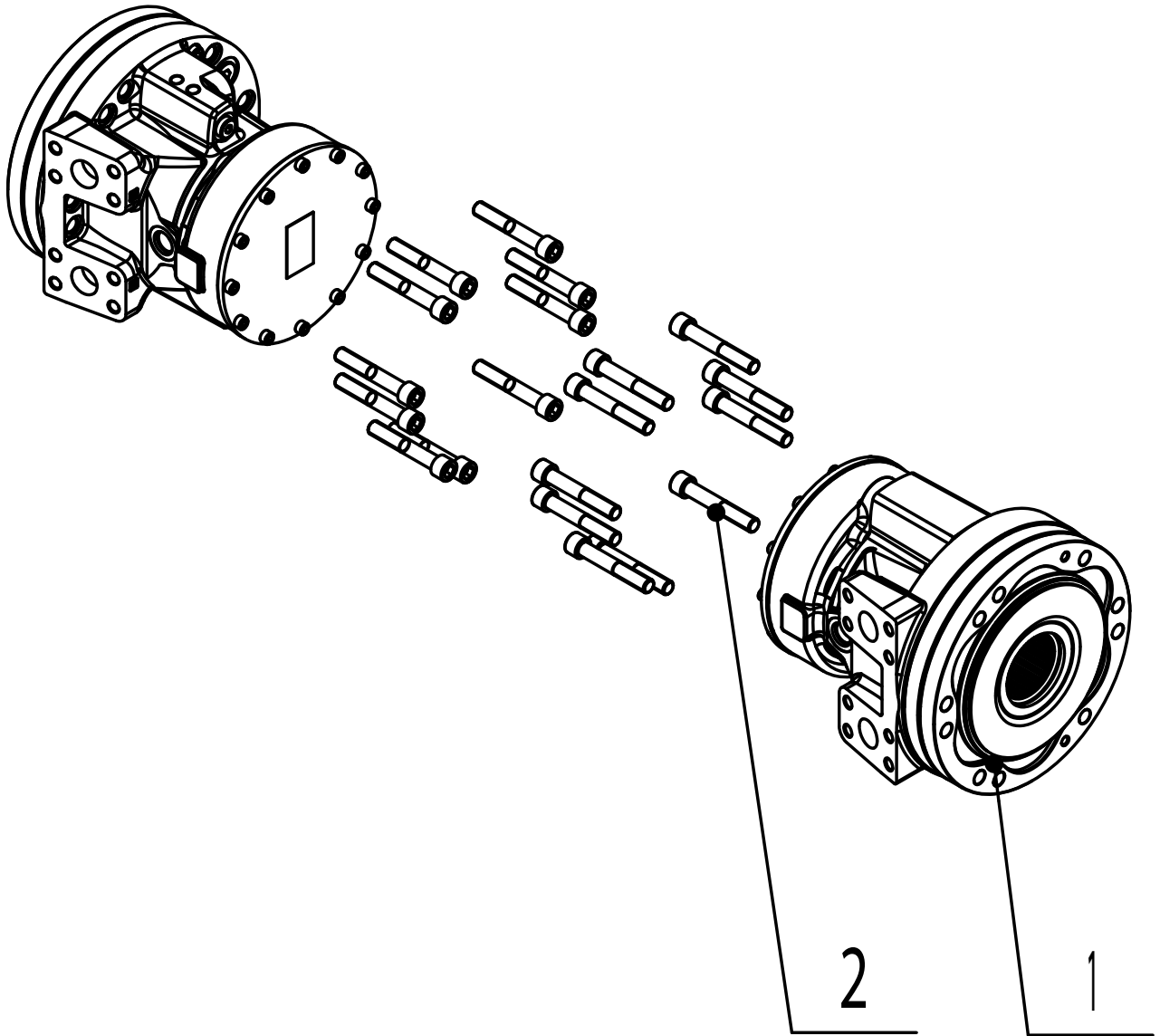
| 1  | 2        | 3 | 4 | Name              |
|----|----------|---|---|-------------------|
| 1  | 21193001 | 1 |   | PUMP A21VG45      |
| 2  | 12061096 | 1 |   | PUMP A10VO45      |
| 3  | 12061097 | 1 |   | PUMP AZPN-12-019  |
| 4  | 15061019 | 1 |   | FLANGE            |
| 5  | 09081017 | 4 |   | SOCKET            |
| 6  | 12061087 | 1 |   | HOSE              |
| 7  | 12061086 | 1 |   | FLANGE            |
| 8  | 12061089 | 1 |   | FLANGE            |
| 10 | 11067039 | 4 |   | SOCKET            |
| 11 | 07081089 | 1 |   | CLUTCH            |
| 13 | 09153020 | 1 |   | SOCKET            |
| 14 | 08081104 | 1 |   | T-SOCKET          |
| 15 | 14062039 | 1 |   | SOCKET            |
| 17 | 07081040 | 5 |   | SOCKET            |
| 18 | 08061041 | 1 |   | SOCKET            |
| 19 | 12061093 | 1 |   | RING              |
| 20 | 11067068 | 1 |   | SEALING RING 26x2 |
| 21 | 01071026 | 2 |   | SCREW M12x30      |
| 22 | 01215022 | 2 |   | SCREW M6x20       |
| 23 | 01071025 | 2 |   | SCREW M10x25      |
| 24 | 00040006 | 4 |   | SCREW M10x35      |
| 25 | 00211027 | 2 |   | WASHER            |
| 26 | 08120012 | 2 |   | WASHER 13         |
| 27 | 00031055 | 4 |   | WASHER 6          |
| 28 | 00020029 | 4 |   | WASHER 10         |
| 29 | 15172015 | 2 |   | SCREW M14x1.5x55  |
| 30 | 00211028 | 2 |   | NUT M14x1.5       |
| 31 | 09175019 | 1 |   | SOCKET            |
| 32 | 13064032 | 1 |   | SOCKET            |
| 33 | 21193033 | 1 |   | SOCKET            |
| 34 | 09062025 | 1 |   | T-JOINT           |
| 35 | 09153021 | 1 |   | SOCKET            |
| 36 | 12061100 | 1 |   | PLUG              |
| 37 | 21193037 | 1 |   | REDUCTION         |
| 38 | 21193038 | 2 |   | SCREW M6x55       |





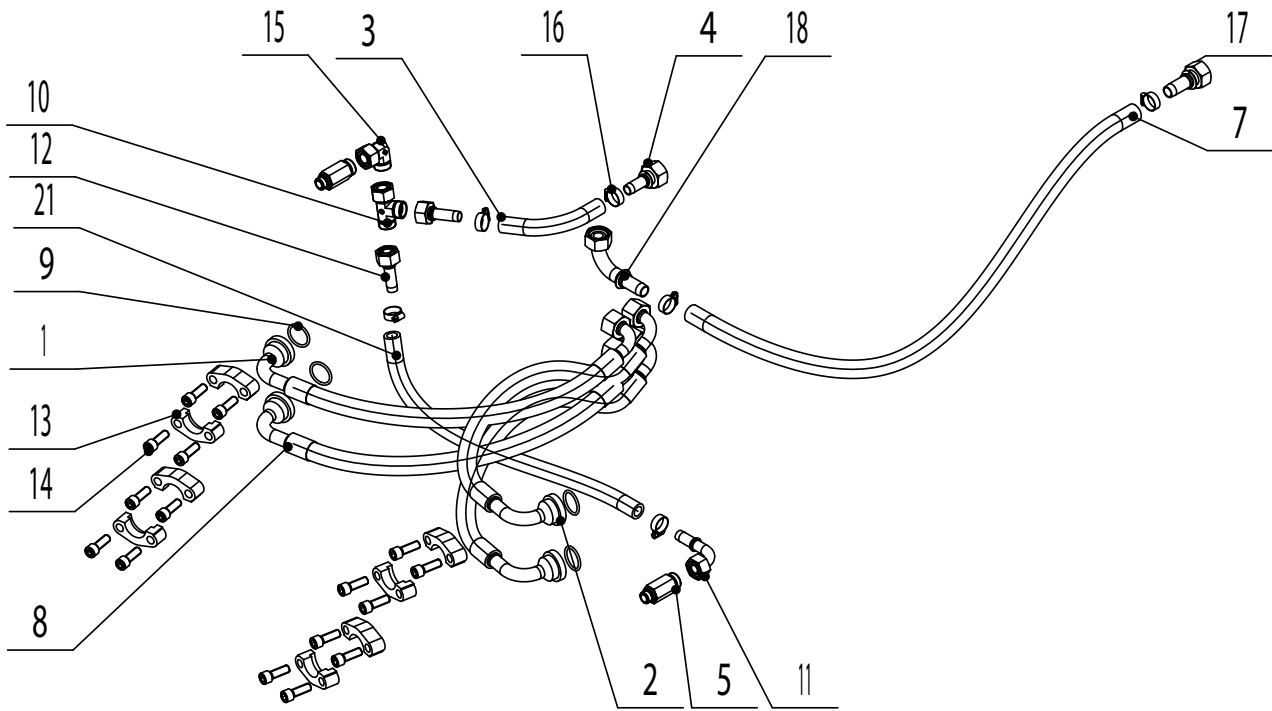
**1-SPEED HYDROMOTOR ASSEMBLY****19.4**

| <b>1</b> | <b>2</b> | <b>3</b> | <b>4</b> | <b>Name</b>     |
|----------|----------|----------|----------|-----------------|
| 1        | 12061051 | 2        |          | HYDROMOTOR MCR5 |
| 2        | 07061026 | 20       |          | SCREW M12x75    |

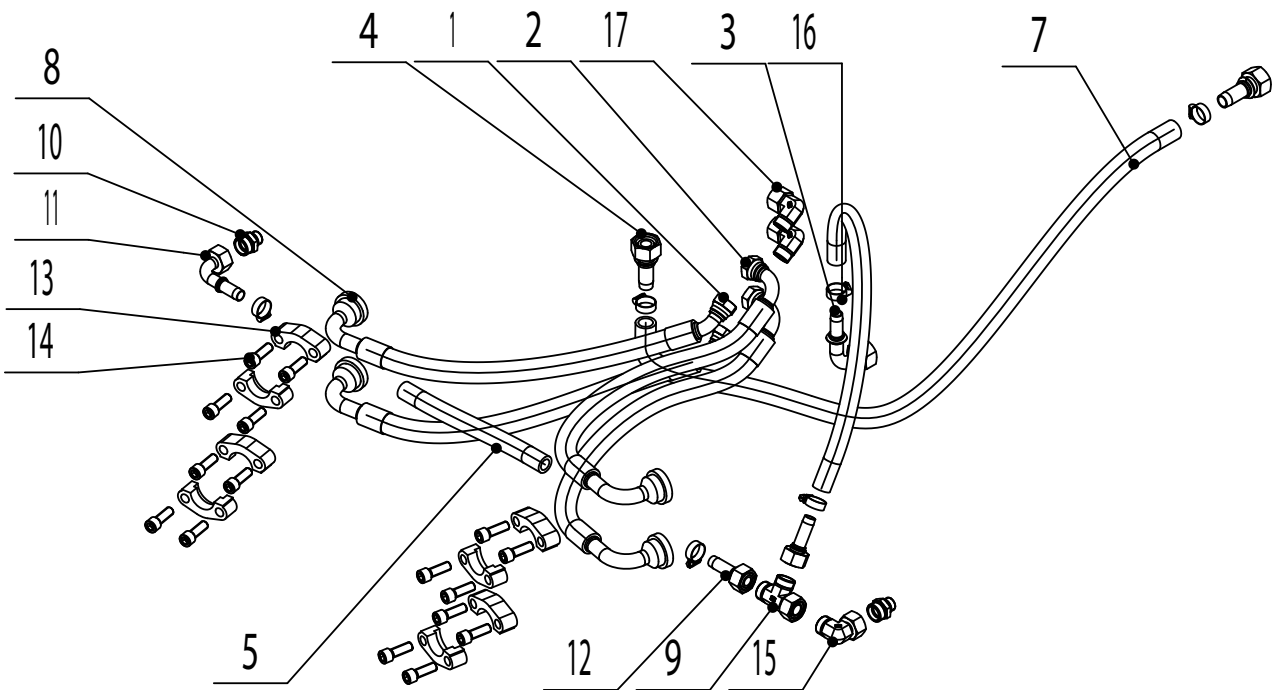


**2-SPEED HYDROMOTOR ASSEMBLY****19.5**

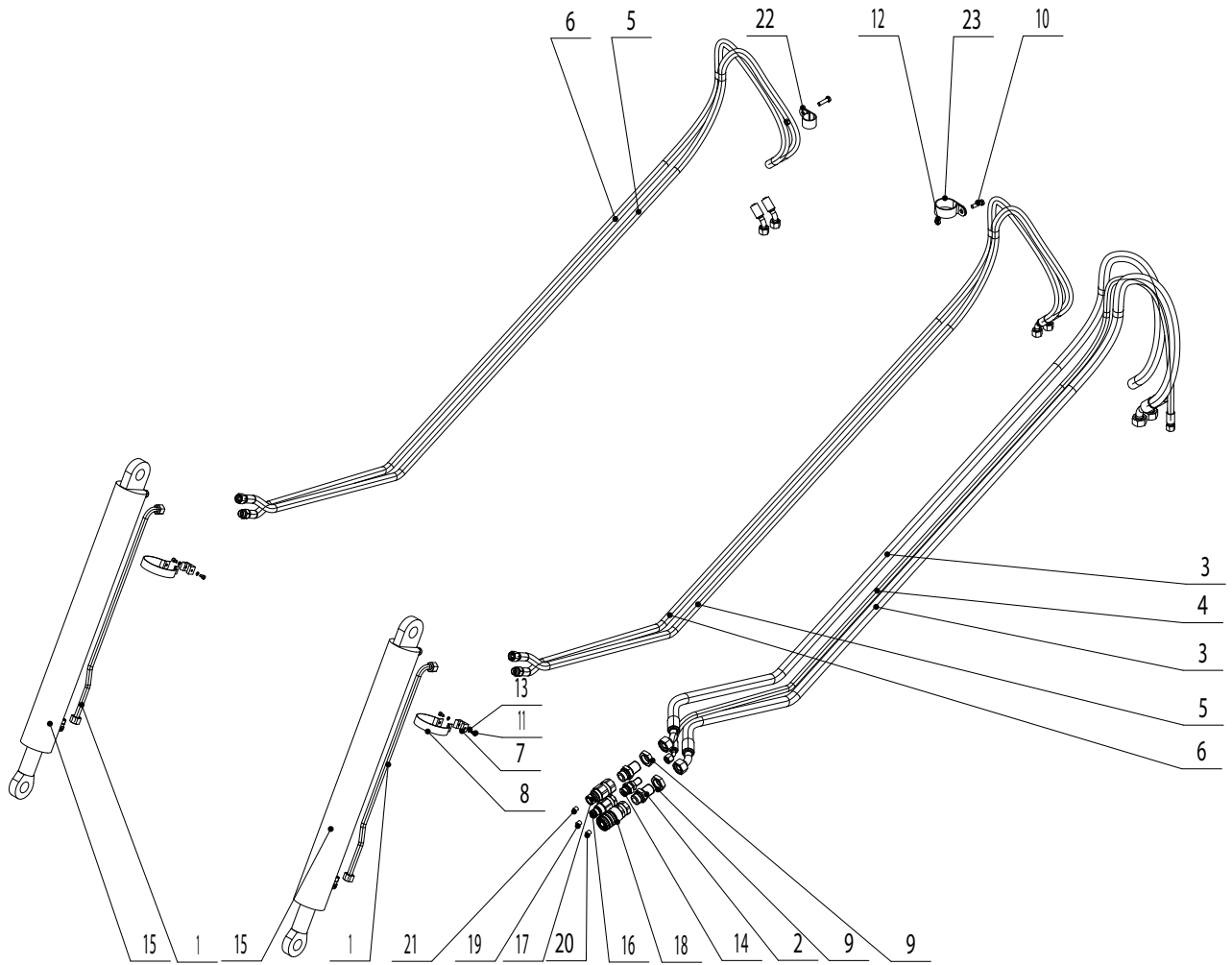
| <b>1</b> | <b>2</b> | <b>3</b> | <b>4</b> | <b>Name</b>     |
|----------|----------|----------|----------|-----------------|
| 1        | 14069017 | 2        |          | HYDROMOTOR MCR5 |
| 2        | 07061026 | 20       |          | SCREW M12x75    |



| 1  | 2        | 3    | 4 | Name                |
|----|----------|------|---|---------------------|
| 1  | 20195001 | 1    |   | HOSE                |
| 2  | 21196002 | 2    |   | HOSE                |
| 3  | 00063136 | 0.69 |   | HOSE                |
| 4  | 21196004 | 1    |   | ENDING              |
| 5  | 12063092 | 2    |   | SOCKET              |
| 7  | 07063016 | 1.25 |   | HOSE                |
| 8  | 21196008 | 1    |   | HOSE                |
| 9  | 07061024 | 4    |   | RING 32.92x3.53     |
| 10 | 11063007 | 1    |   | SOCKET              |
| 11 | 14068104 | 1    |   | ENDING              |
| 12 | 14068106 | 2    |   | ENDING              |
| 13 | 07061019 | 8    |   | FLANGE              |
| 14 | 07061029 | 16   |   | SCREW UNC 7/16x1 3/ |
| 15 | 07062056 | 1    |   | L-SOCKET            |
| 16 | 00061019 | 6    |   | HOSE CLAMP          |
| 17 | 08068032 | 1    |   | ENDING              |
| 18 | 21196018 | 1    |   | ENDING              |

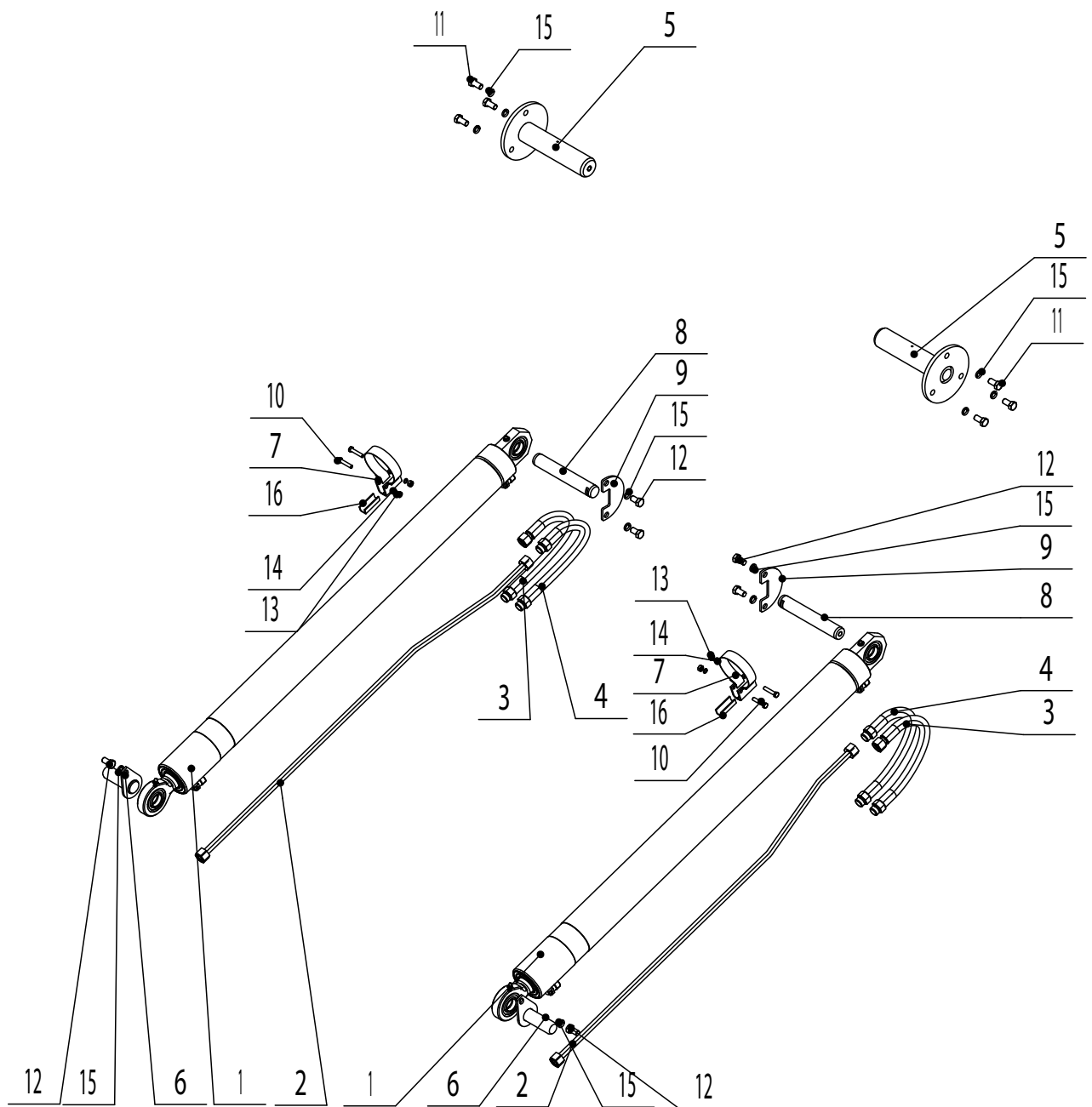


| 1  | 2        | 3    | 4 | Name               |
|----|----------|------|---|--------------------|
| 1  | 20195001 | 1    |   | HOSE               |
| 2  | 21196002 | 2    |   | HOSE               |
| 3  | 00063136 | 0.69 |   | HOSE               |
| 4  | 21196004 | 1    |   | ENDING             |
| 5  | 12063092 | 2    |   | SOCKET             |
| 7  | 07063016 | 1.25 |   | HOSE               |
| 8  | 21196008 | 1    |   | HOSE               |
| 9  | 07061024 | 4    |   | RING 32.92x3.53    |
| 10 | 11063007 | 1    |   | SOCKET             |
| 11 | 14068104 | 1    |   | ENDING             |
| 12 | 14068106 | 2    |   | ENDING             |
| 13 | 07061019 | 8    |   | FLANGE             |
| 14 | 07061029 | 16   |   | SCREW UNC 7/16x13/ |
| 15 | 07062056 | 1    |   | L-SOCKET           |
| 16 | 00061019 | 6    |   | HOSE CLAMP         |
| 17 | 08068032 | 1    |   | ENDING             |
| 18 | 21196018 | 1    |   | ENDING             |

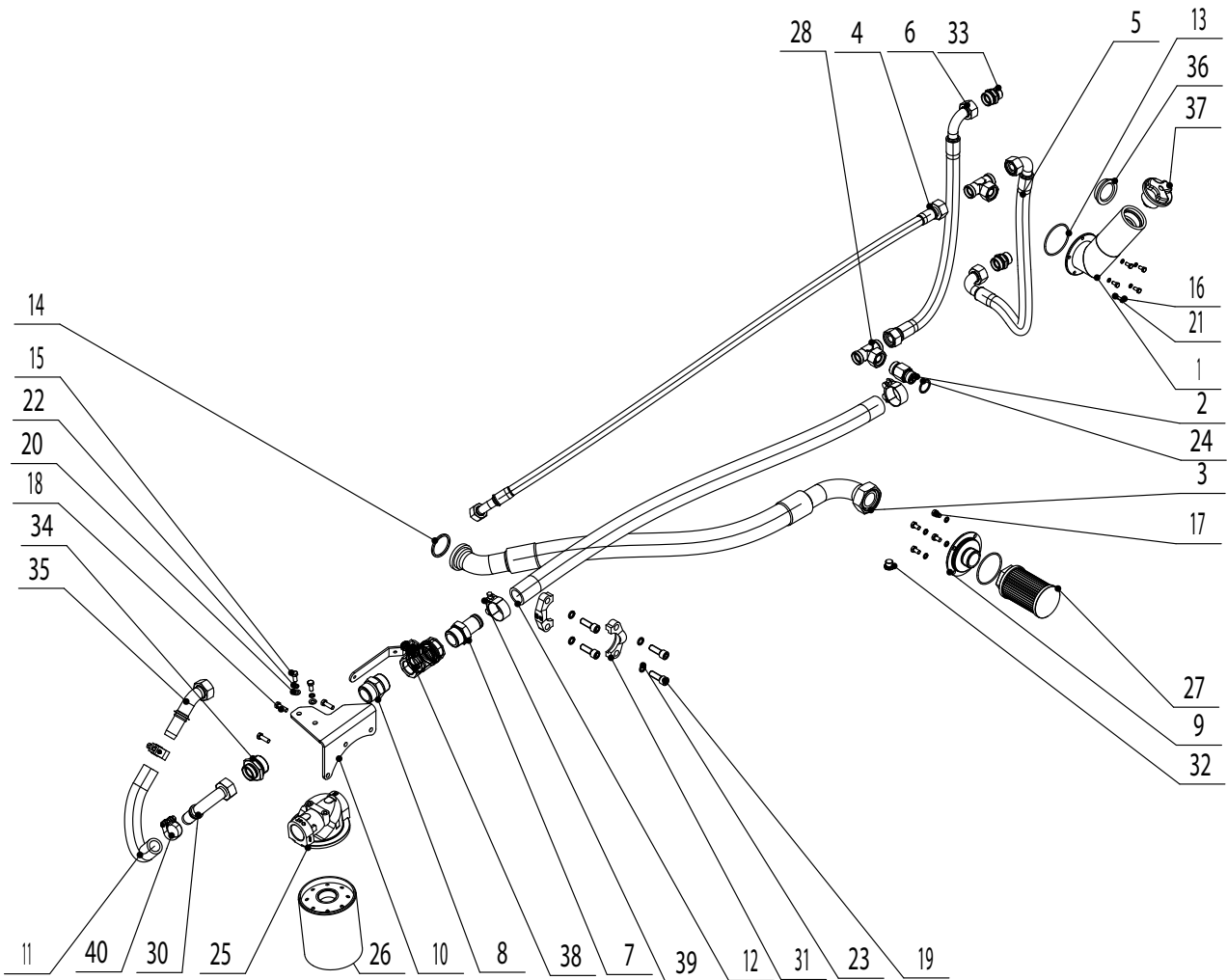




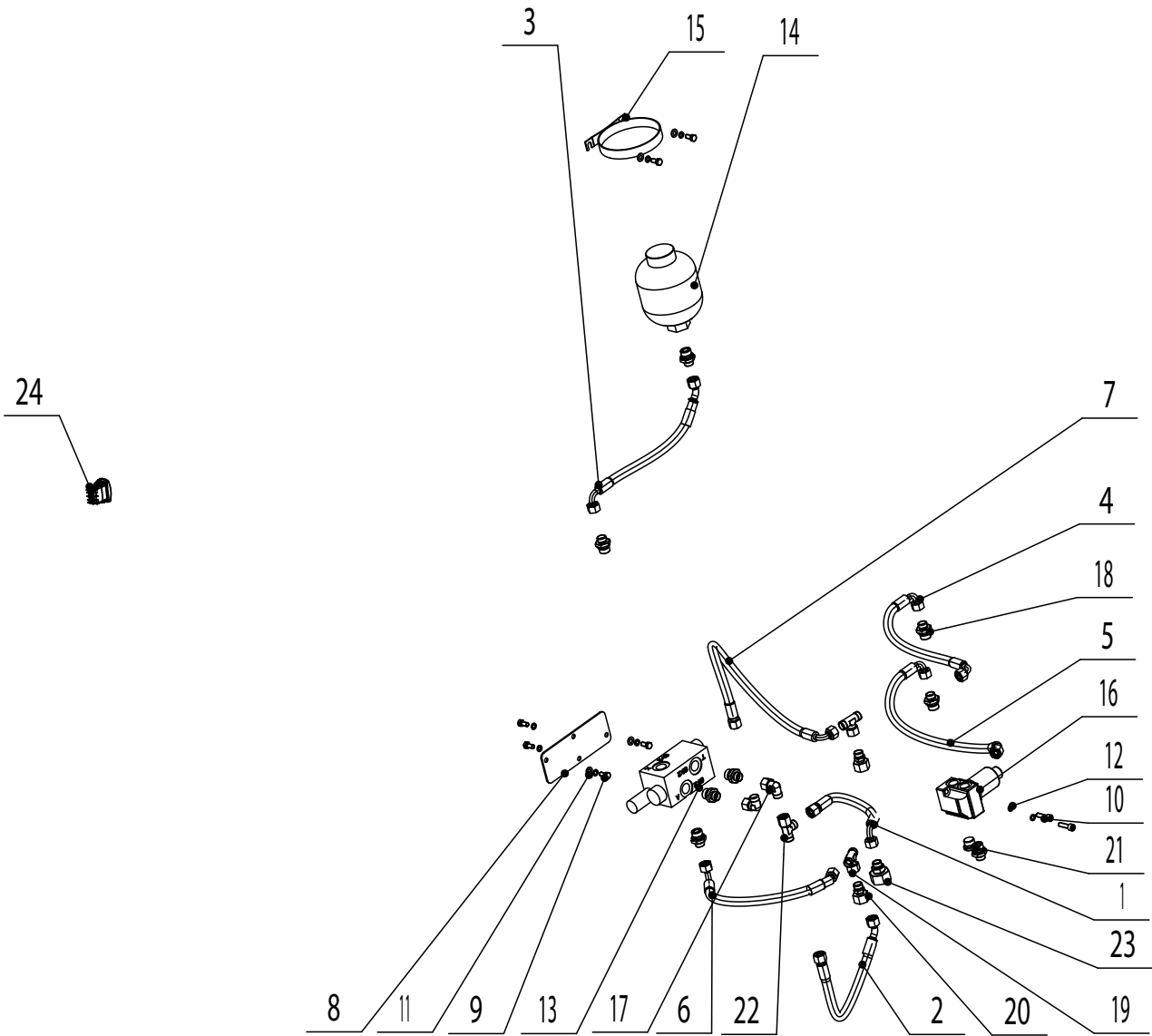
| 1  | 2        | 3 | 4 | Name                |
|----|----------|---|---|---------------------|
| 1  | 11064050 | 2 |   | CYLINDER WITH COVER |
| 2  | 11064048 | 2 |   | CLAMP               |
| 3  | 11064005 | 2 |   | PIPING              |
| 4  | 07060053 | 2 |   | SOCKET              |
| 5  | 20197005 | 2 |   | HOSE                |
| 6  | 20197006 | 1 |   | HOSE                |
| 7  | 20197007 | 2 |   | HOSE                |
| 8  | 20197008 | 2 |   | HOSE                |
| 9  | 11064034 | 2 |   | HOUSING             |
| 10 | 00062066 | 2 |   | NUT                 |
| 11 | 07172008 | 2 |   | SCREW M8x30         |
| 12 | 11064035 | 4 |   | SCREW M5x8          |
| 13 | 01061006 | 2 |   | NUT M8              |
| 14 | 00081064 | 4 |   | WASHER 5.1          |
| 15 | 12064072 | 1 |   | SOCKET              |
| 16 | 12064069 | 1 |   | TWIN PLUG CONNECTOR |
| 17 | 12066026 | 1 |   | TWIN PLUG CONNECTOR |
| 18 | 12066025 | 1 |   | TWIN PLUG CONNECTOR |
| 19 | 12064075 | 1 |   | CAP                 |
| 20 | 12064074 | 1 |   | CAP                 |
| 21 | 12064073 | 1 |   | CAP                 |
| 22 | 13064058 | 1 |   | CLAMP               |
| 23 | 13061049 | 1 |   | CLAMP               |



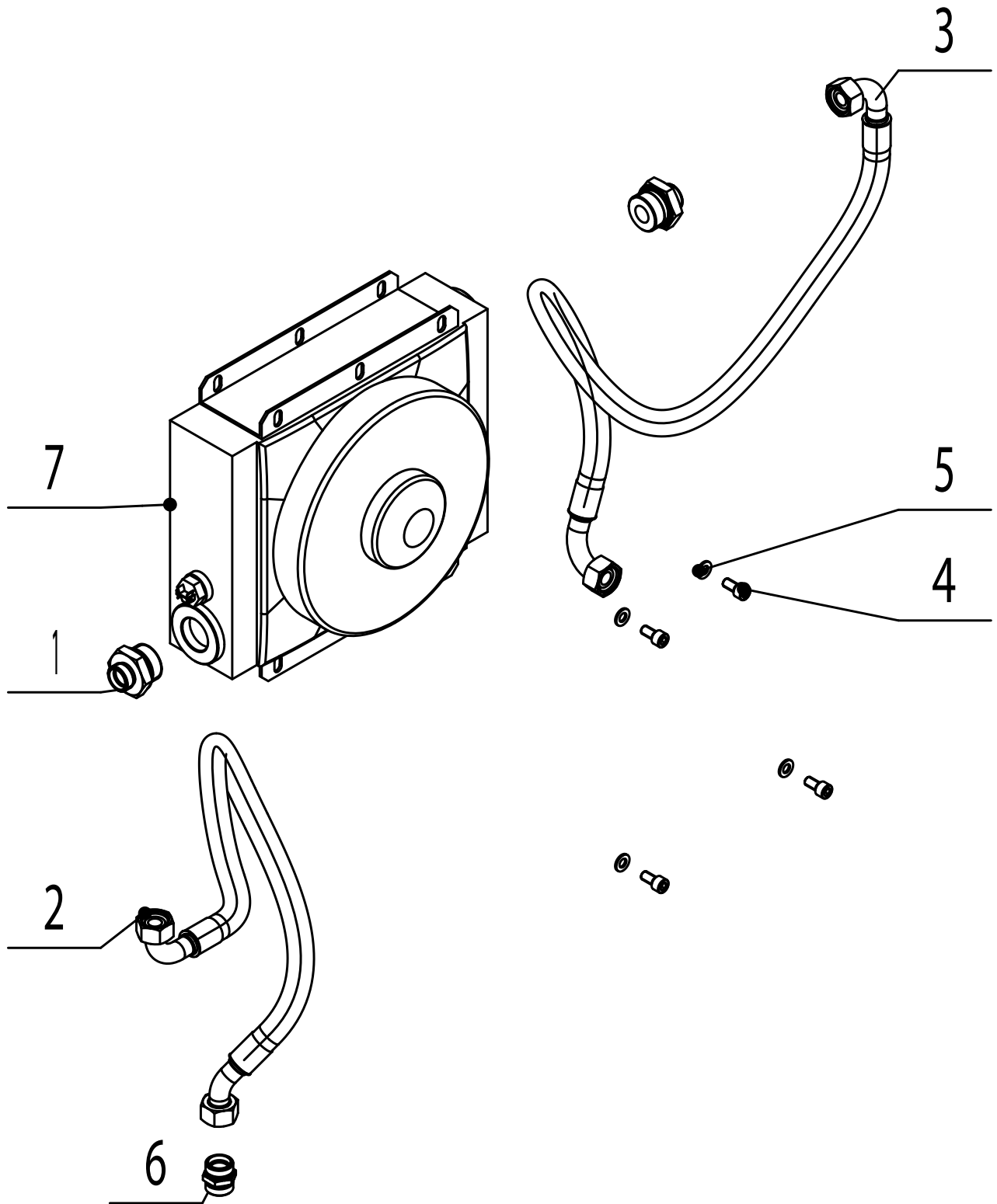
| 1  | 2        | 3    | 4 | Name               |
|----|----------|------|---|--------------------|
| 1  | 14064056 | 2    |   | CYLIDER WITH COVER |
| 2  | 11064006 | 2    |   | PIPING             |
| 3  | 11064016 | 2    |   | HOSE               |
| 4  | 11064017 | 2    |   | HOSE               |
| 5  | 20198005 | 2    |   | WELDED PIN         |
| 6  | 12091055 | 2    |   | PIN WITH SAFETY    |
| 7  | 00067030 | 2    |   | CLAMP              |
| 8  | 12091050 | 2    |   | PIN                |
| 9  | 12091048 | 2    |   | WASHER             |
| 10 | 12066033 | 4    |   | SCREW M6x30        |
| 11 | 00020028 | 6    |   | SCREW M10x20       |
| 12 | 11091019 | 6    |   | SCREW M10x18       |
| 13 | 01083033 | 4    |   | NUT M6             |
| 14 | 00031055 | 4    |   | WASHER 6           |
| 15 | 00020029 | 12   |   | WASHER 10.2        |
| 16 | 01153012 | 0.08 |   | SEALING            |



| 1  | 2          | 3    | 4 | Name              |
|----|------------|------|---|-------------------|
| 1  | 20199003   | 1    |   | SOCKET            |
| 2  | 21201002   | 1    |   | BALL VALVE        |
| 3  | 21201003   | 1    |   | HOSE              |
| 4  | 21201004   | 1    |   | HOSE              |
| 5  | 21201005   | 1    |   | HOSE              |
| 6  | 21201006   | 1    |   | HOSE              |
| 7  | 09065043   | 1    |   | SOCKET            |
| 8  | 15064015   | 1    |   | SOCKET            |
| 9  | 21201009   | 1    |   | COVER             |
| 10 | 21201010   | 1    |   | BRACKET           |
| 11 | 07065019/1 | 1    |   | HOSE              |
| 12 | 00061105   | 1.65 |   | HOSE              |
| 13 | 07050028   | 2    |   | SEALING RING 70x3 |
| 14 | 12063153   | 1    |   | RING              |
| 15 | 01050017   | 2    |   | SCREW M8x18       |
| 16 | 06261026   | 5    |   | SCREW M6x12       |
| 17 | 00261072   | 4    |   | SCREW M8x14       |
| 18 | 07172007   | 3    |   | SCREW M8x25       |
| 19 | 00171005   | 4    |   | SCREW M12x35      |
| 20 | 00020018   | 2    |   | WASHER 8          |
| 21 | 00031055   | 5    |   | WASHER 6          |
| 22 | 00020019   | 6    |   | WASHER 8          |
| 23 | 00031052   | 4    |   | WASHER 12         |
| 24 | 00062030   | 1    |   | SEALING RING      |
| 25 | 08068060   | 1    |   | FILTER HEAD       |
| 26 | 09065029   | 1    |   | FILTER ELEMENT    |
| 27 | 11063045   | 1    |   | FILTER            |
| 28 | 11063076   | 2    |   | SOCKET            |
| 30 | 21201030   | 1    |   | ENDING            |
| 31 | 12063152   | 2    |   | FLANGE            |
| 32 | 20151022   | 1    |   | PLUG              |
| 33 | 08420003   | 2    |   | SOCKET            |
| 34 | 08068115   | 1    |   | SOCKET            |
| 35 | 08068119   | 1    |   | ENDING            |
| 36 | 00066018   | 1    |   | OIL LEVEL GAUGE   |
| 37 | 14068115   | 1    |   | PLUG              |
| 38 | 08063037   | 1    |   | BALL VALVE        |
| 39 | 09065014   | 2    |   | HOSE CLAMP        |
| 40 | 08065021   | 2    |   | HOSE CLAMP        |



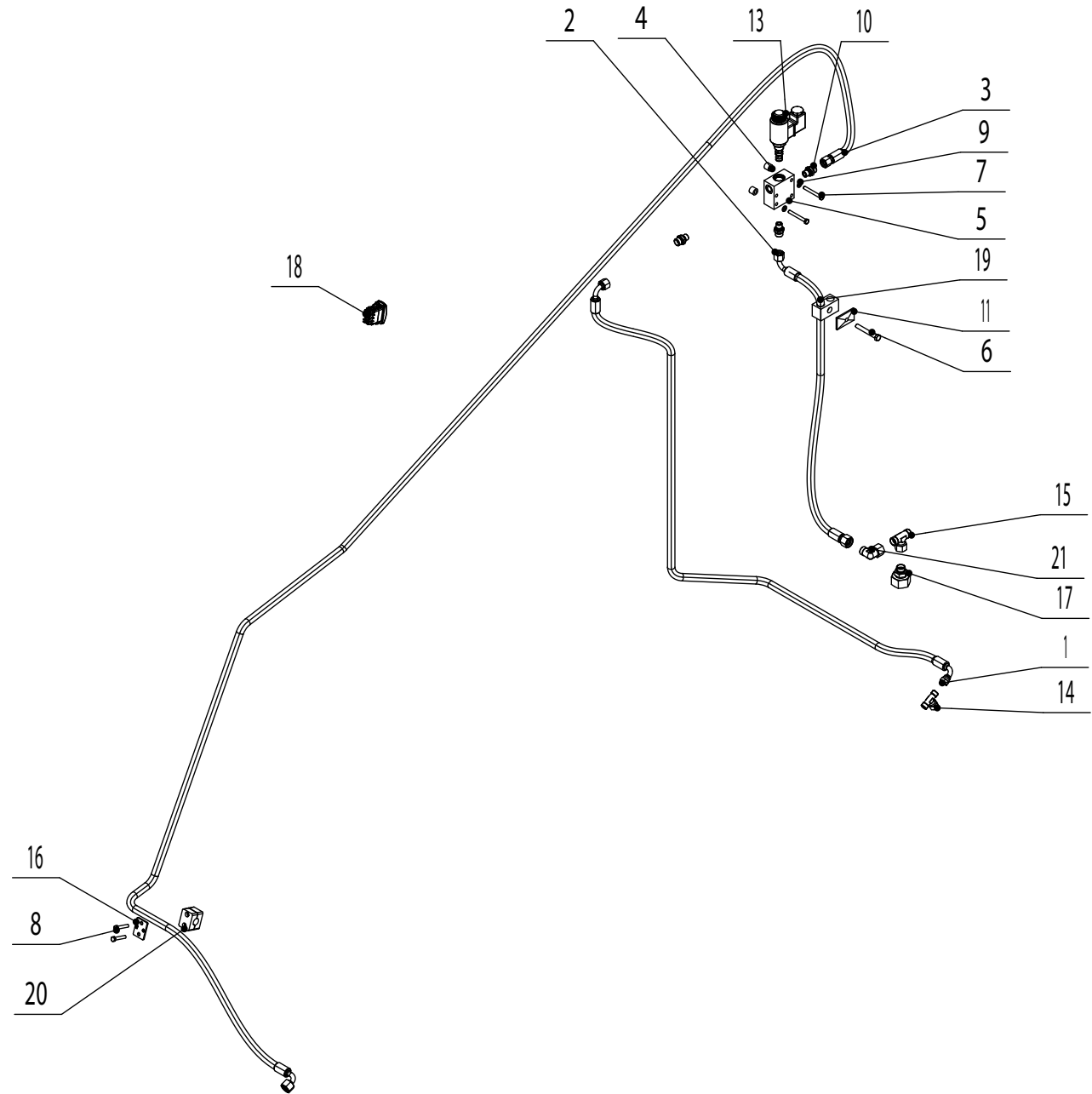
| 1  | 2        | 3 | 4 | Name                 |
|----|----------|---|---|----------------------|
| 1  | 13212004 | 1 |   | HOSE PHD 210x350     |
| 2  | 15065016 | 1 |   | HOSE PHD 210x500     |
| 3  | 20201003 | 1 |   | HOSE PHD 210x320     |
| 4  | 20201004 | 1 |   | HOSE PHD 210x340     |
| 5  | 20201005 | 1 |   | HOSE PHD 210x510     |
| 6  | 20201006 | 1 |   | HOSE PHD 210x600     |
| 7  | 20201007 | 1 |   | HOSE PHD 210x600     |
| 8  | 20201008 | 1 |   | SHEET                |
| 9  | 01092018 | 6 |   | SCREW M8x16          |
| 10 | 09068033 | 2 |   | SCREW M8x30          |
| 11 | 00020018 | 4 |   | WASHER 8.4           |
| 12 | 00020019 | 8 |   | WASHER 8.2           |
| 13 | 20201013 | 1 |   | BLOCK ASSY           |
| 14 | 20201014 | 1 |   | ACCUMULATOR          |
| 15 | 20201015 | 1 |   | ACCUMULATOR BRACKET  |
| 16 | 07059047 | 1 |   | FLOATING VALVE       |
| 17 | 15062034 | 2 |   | L-SOCKET             |
| 18 | 07420004 | 8 |   | SOCKET               |
| 19 | 08067160 | 2 |   | T-SOCKET             |
| 20 | 20201020 | 2 |   | REDUCTION            |
| 21 | 15062039 | 1 |   | PLUG                 |
| 22 | 11062082 | 1 |   | SOCKET               |
| 23 | 20201023 | 1 |   | REDUCTION            |
| 24 | 20201024 | 1 |   | BOOM FLOATING SWITCH |



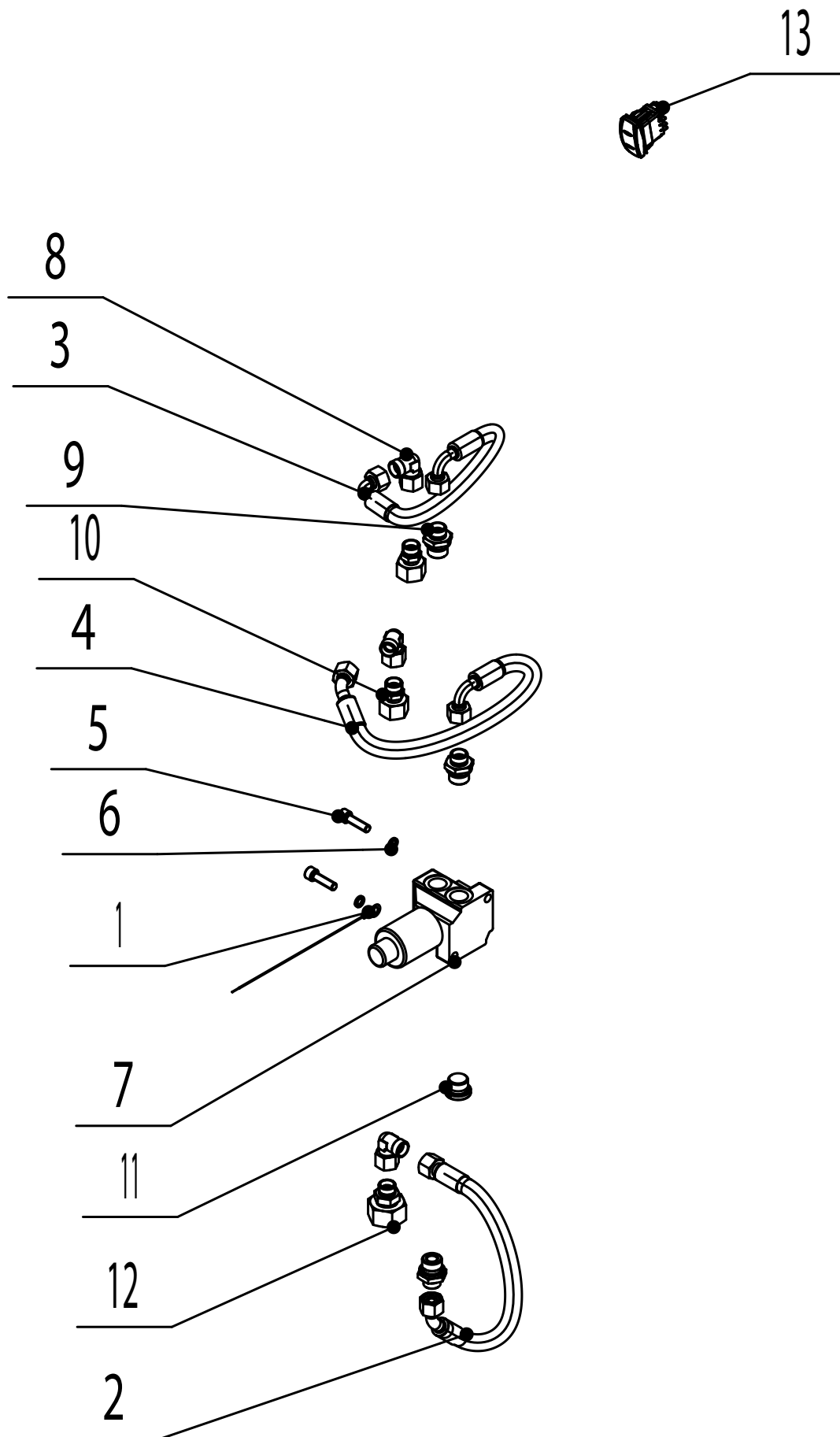


**ADDITIONAL COOLING****20.3**

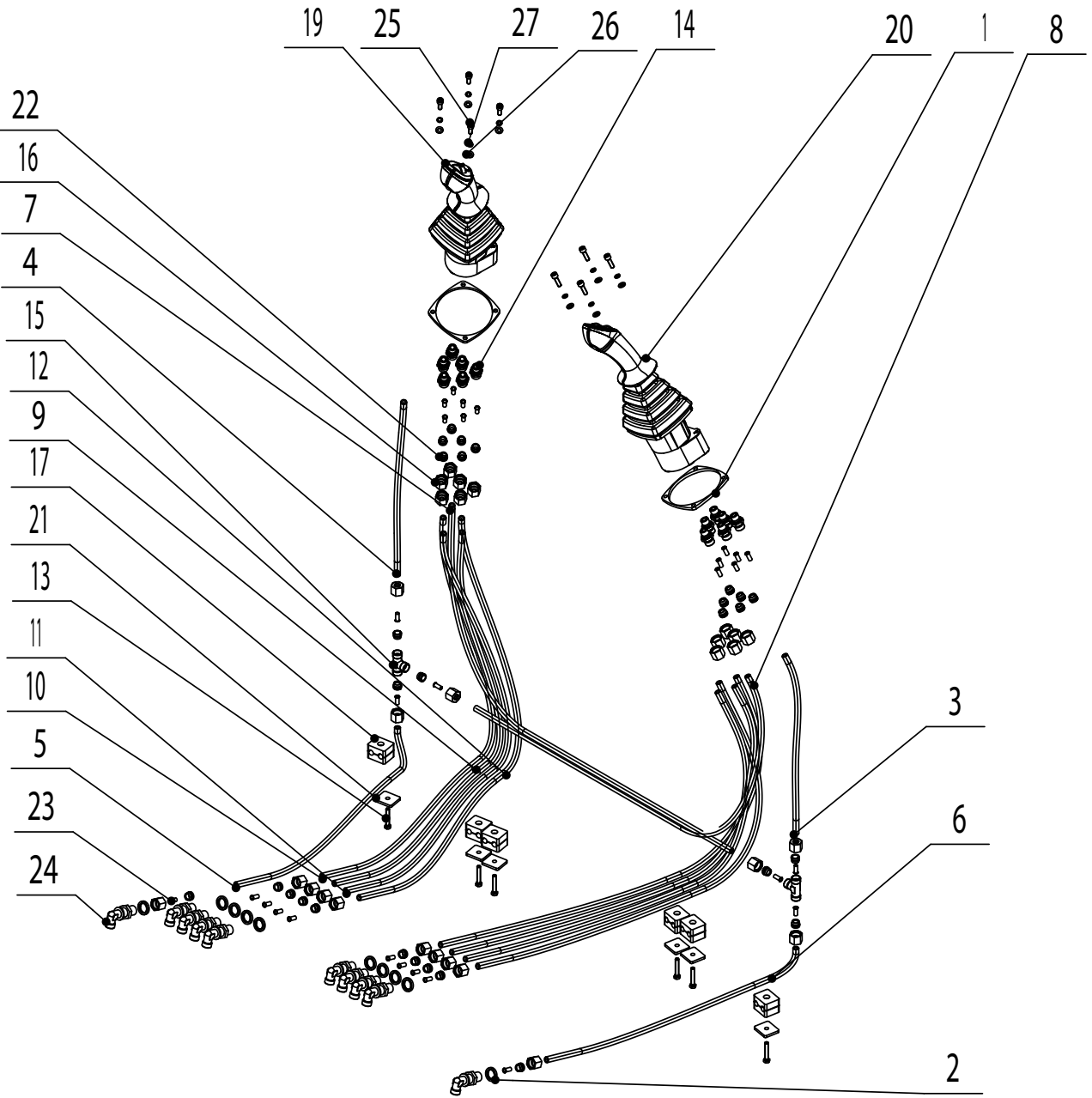
| 1 | 2        | 3 | 4 | Name         |
|---|----------|---|---|--------------|
| 1 | 20202001 | 2 |   | SOCKET       |
| 2 | 20202002 | 1 |   | HOSE         |
| 3 | 20202003 | 1 |   | HOSE         |
| 4 | 09173016 | 4 |   | SCREW M10x20 |
| 5 | 00083021 | 4 |   | WASHER 10.5  |
| 6 | 14067115 | 1 |   | CLUTCH       |
| 7 | 12280004 | 1 |   | COOLER       |



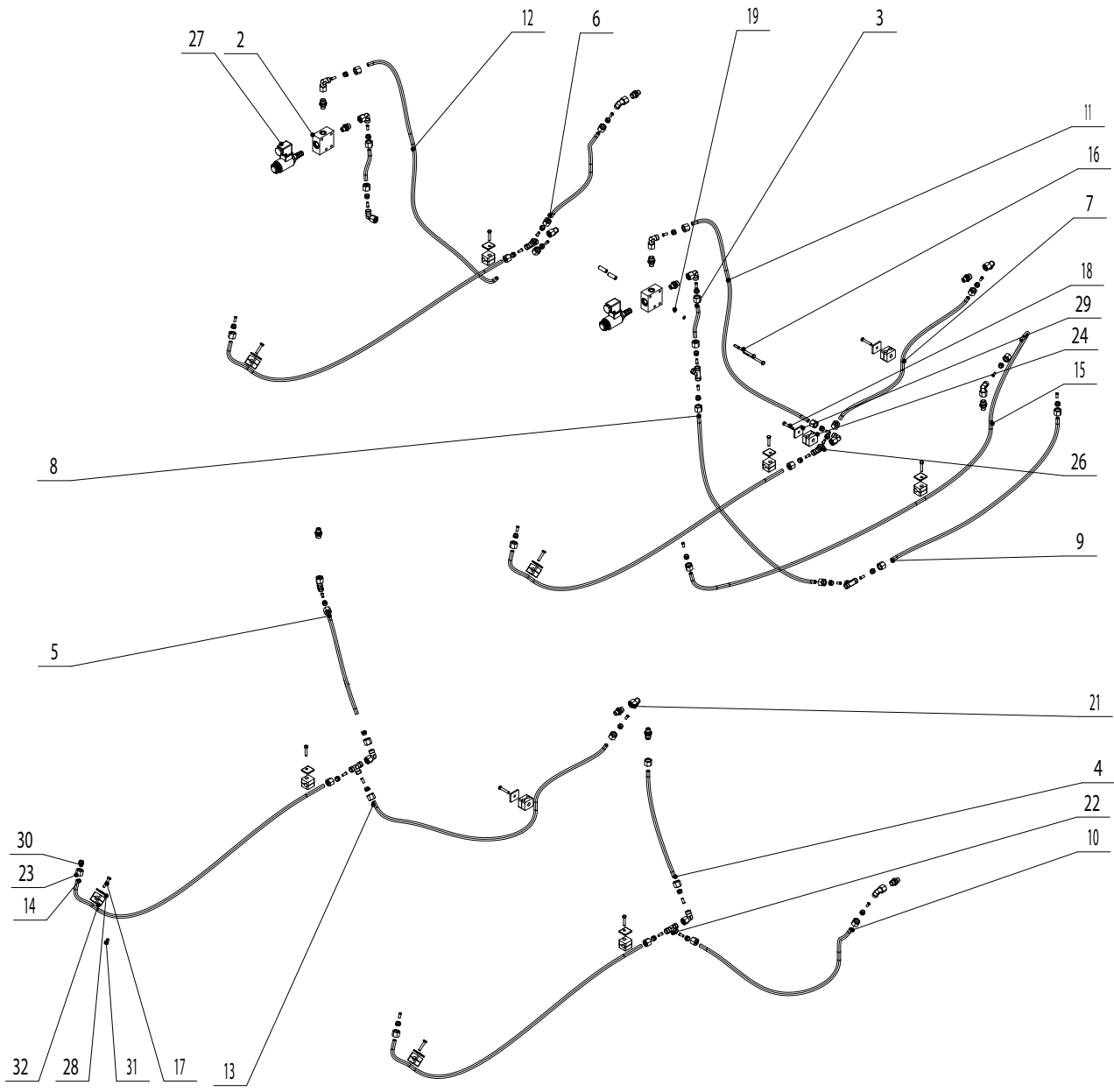
| 1  | 2        | 3 | 4 | Name                                      |
|----|----------|---|---|---|
| 1  | 20203001 | 1 |   | HOSE                                      |
| 2  | 20203002 | 1 |   | HOSE                                      |
| 3  | 20203003 | 1 |   | HOSE                                      |
| 4  | 07081059 | 2 |   | WASHER                                    |
| 5  | 00082030 | 1 |   | CUBE                                      |
| 6  | 06087057 | 1 |   | SCREW M8x60                               |
| 7  | 20203007 | 2 |   | SCREW M6x50                               |
| 8  | 07402013 | 2 |   | SCREW M6x35                               |
| 9  | 00020012 | 2 |   | WASHER 6.4                                |
| 10 | 07081043 | 3 |   | SOCKET                                    |
| 11 | 13052060 | 1 |   | CLAMP                                     |
| 12 | 09121074 | 5 |   | BINDER CABLE 365x7.8 MM                   |
| 13 | 08083050 | 1 |   | DISTRIBUTOR                               |
| 14 | 15082031 | 1 |   | T-SOCKET                                  |
| 15 | 08067160 | 1 |   | T-SOCKET                                  |
| 16 | 20203016 | 1 |   | SHEET                                     |
| 17 | 20201023 | 1 |   | REDUCTION                                 |
| 18 | 20203018 | 1 |   | SWITCH OF HYDRAULIC SPEED CLAMPING DEVICE |
| 19 | 20203019 | 1 |   | CLAMP                                     |
| 20 | 20203020 | 1 |   | CLAMP                                     |
| 21 | 15062034 | 1 |   | L-SOCKET                                  |



| 1  | 2        | 3 | 4 | Name                    |
|----|----------|---|---|-------------------------|
| 1  | 20204001 | 1 |   | EARTH CONDUCTORS        |
| 2  | 15065016 | 1 |   | HOSE                    |
| 3  | 20201004 | 1 |   | HOSE                    |
| 4  | 20201005 | 1 |   | HOSE                    |
| 5  | 09068033 | 2 |   | SCREW M8x30             |
| 6  | 00020019 | 2 |   | WASHER 8.2              |
| 7  | 07059047 | 1 |   | VALVE OF BOOM FLOATING  |
| 8  | 15062034 | 3 |   | L-SOCKET                |
| 9  | 07420004 | 3 |   | SOCKET                  |
| 10 | 20201020 | 2 |   | REDUCTION               |
| 11 | 15062039 | 1 |   | PLUG                    |
| 12 | 20201023 | 1 |   | REDUCTION               |
| 13 | 20201024 | 1 |   | SWITCH OF BOOM FLOATING |

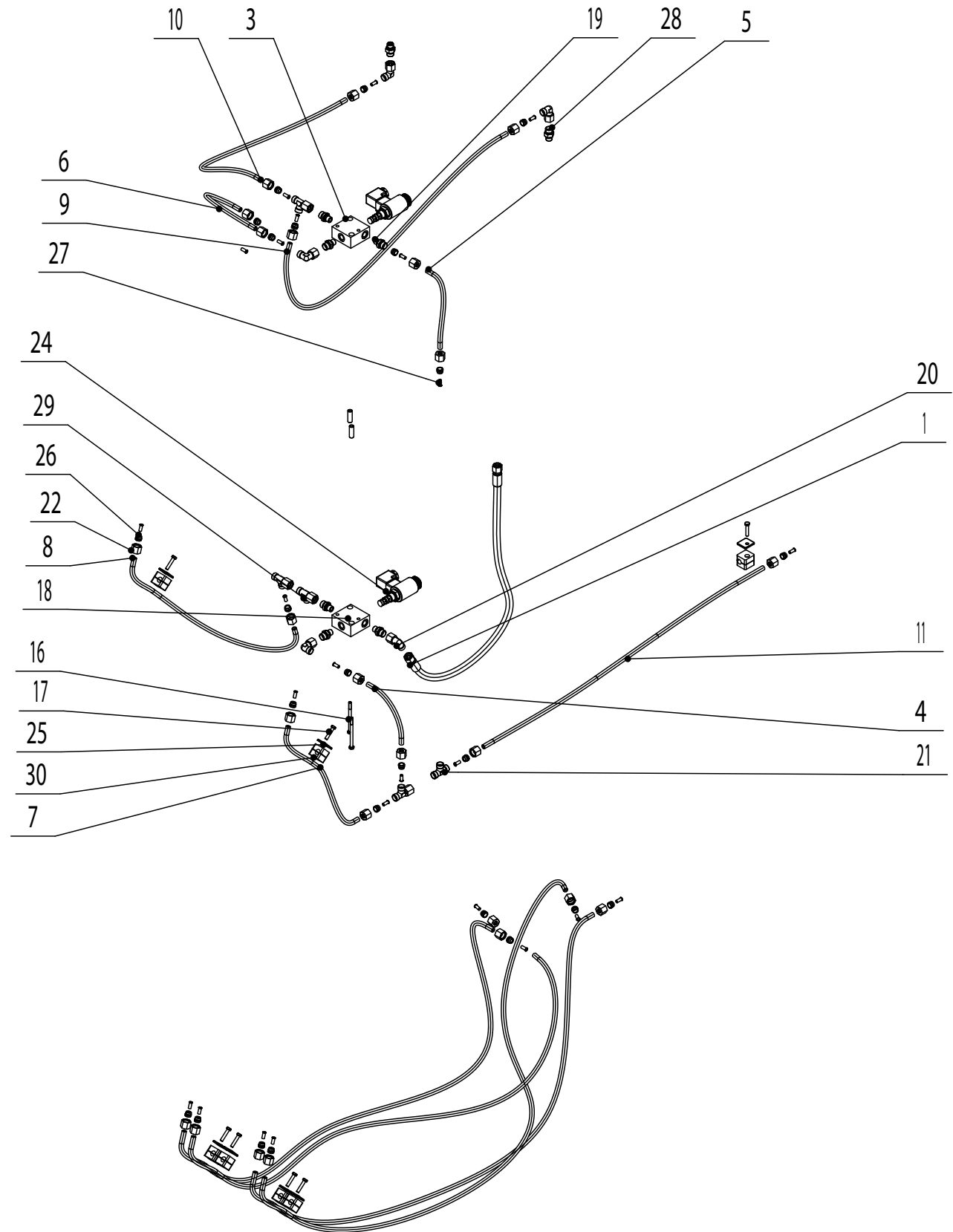


| 1  | 2        | 3  | 4 | Name                 |
|----|----------|----|---|----------------------|
| 1  | 20211001 | 2  |   | WASHER               |
| 2  | 00171024 | 10 |   | WASHER 16.3          |
| 3  | 01083031 | 1  |   | HOSE 10x2x370        |
| 4  | 01083031 | 1  |   | HOSE 10x2x370        |
| 5  | 01083031 | 1  |   | HOSE 10x2x570        |
| 6  | 01083031 | 1  |   | HOSE 10x2x570        |
| 7  | 01083031 | 1  |   | HOSE 10x2x970        |
| 8  | 01083031 | 1  |   | HOSE 10x2x970        |
| 9  | 01083031 | 2  |   | HOSE 10x2x1000       |
| 10 | 01083031 | 2  |   | HOSE 10x2x1000       |
| 11 | 01083031 | 2  |   | HOSE 10x2x1020       |
| 12 | 01083031 | 2  |   | HOSE 10x2x1020       |
| 13 | 07402013 | 6  |   | SCREW M6x35          |
| 14 | 07081043 | 12 |   | SOCKET               |
| 15 | 07081039 | 2  |   | SOCKET               |
| 16 | 00081107 | 28 |   | NUT                  |
| 17 | 20211017 | 6  |   | CLAMP                |
| 18 | 14102052 | 4  |   | BINDER CABLE 200x4.8 |
| 19 | 11084044 | 1  |   | REMOTE CONTROLLER    |
| 20 | 11084043 | 1  |   | REMOTE CONTROLLER    |
| 21 | 07081015 | 6  |   | SHEET                |
| 22 | 00081108 | 28 |   | RING                 |
| 23 | 00081109 | 28 |   | INSERTION            |
| 24 | 11082002 | 10 |   | SOCKET               |
| 25 | 01082030 | 8  |   | SCREW M6x16          |
| 26 | 00020012 | 8  |   | WASHER 6.4           |
| 27 | 00031055 | 8  |   | WASHER 6             |

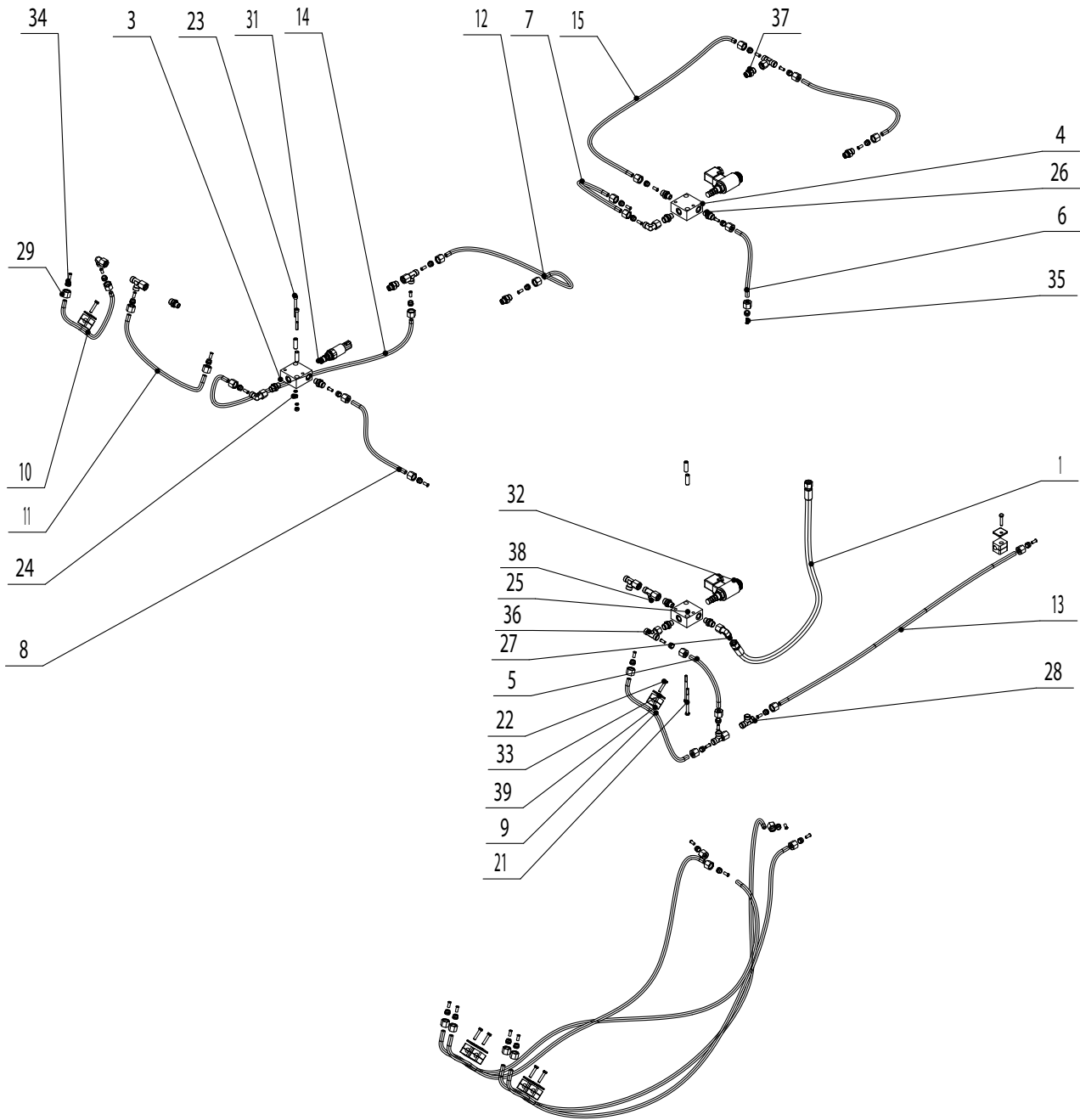




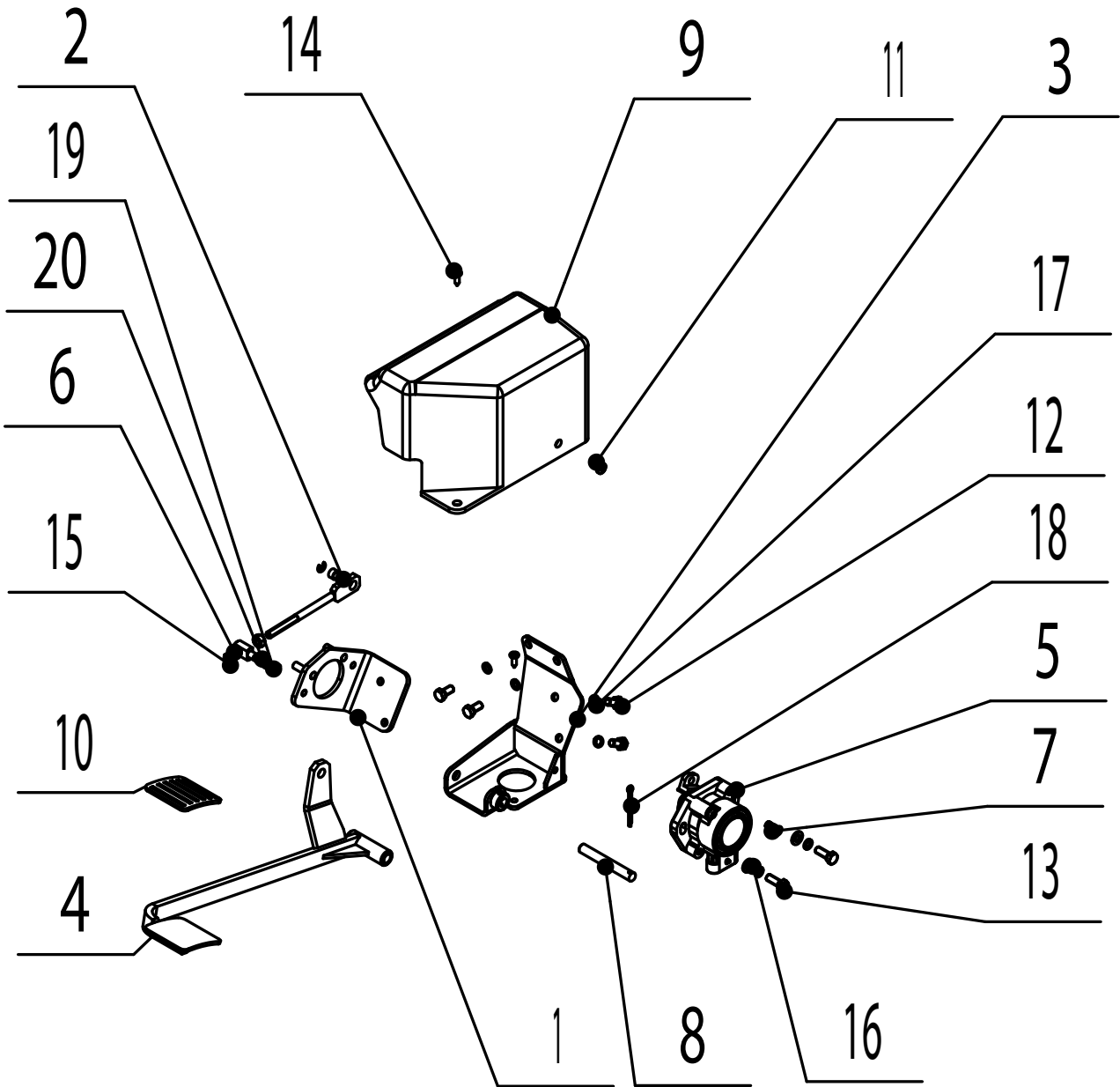
| 1  | 2        | 3  | 4 | Name                 |
|----|----------|----|---|----------------------|
| 1  | 20213002 | 2  |   | SPACER POST 6.2x30   |
| 2  | 00082030 | 2  |   | CUBE                 |
| 3  | 01083031 | 2  |   | HOSE 40 mm           |
| 4  | 01083031 | 1  |   | HOSE 390 mm          |
| 5  | 01083031 | 1  |   | HOSE 420 mm          |
| 6  | 01083031 | 1  |   | HOSE 540 mm          |
| 7  | 01083031 | 1  |   | HOSE 600 mm          |
| 8  | 01083031 | 1  |   | HOSE 900 mm          |
| 9  | 01083031 | 1  |   | HOSE 900 mm          |
| 10 | 01083031 | 1  |   | HOSE 1020 mm         |
| 11 | 01083031 | 1  |   | HOSE 1000 mm         |
| 12 | 01083031 | 1  |   | HOSE 1100 mm         |
| 13 | 01083031 | 1  |   | HOSE 1120 mm         |
| 14 | 01083031 | 4  |   | HOSE 1500 mm         |
| 15 | 01083031 | 1  |   | HOSE 2100 mm         |
| 16 | 07087050 | 2  |   | SCREW M6x80          |
| 17 | 12066033 | 9  |   | SCREW M6x30          |
| 18 | 07402013 | 3  |   | SCREW M6x35          |
| 19 | 00031055 | 2  |   | WASHER 6             |
| 20 | 07081043 | 10 |   | SOCKET               |
| 21 | 07081040 | 15 |   | SOCKET               |
| 22 | 07081039 | 4  |   | SOCKET               |
| 23 | 00081107 | 34 |   | NUT                  |
| 24 | 20211017 | 3  |   | CLAMP                |
| 25 | 14102052 | 10 |   | BINDER CABLE 200x4.8 |
| 26 | 12081030 | 2  |   | VALVE                |
| 27 | 08083050 | 2  |   | DISTRIBUTOR          |
| 28 | 07081045 | 9  |   | SHEET                |
| 29 | 07081015 | 3  |   | SHEET                |
| 30 | 00081108 | 34 |   | RING                 |
| 31 | 00081109 | 34 |   | INSERTION            |
| 32 | 07081044 | 9  |   | CLAMP                |
| 33 | 21212033 | 1  |   | SOCKET               |



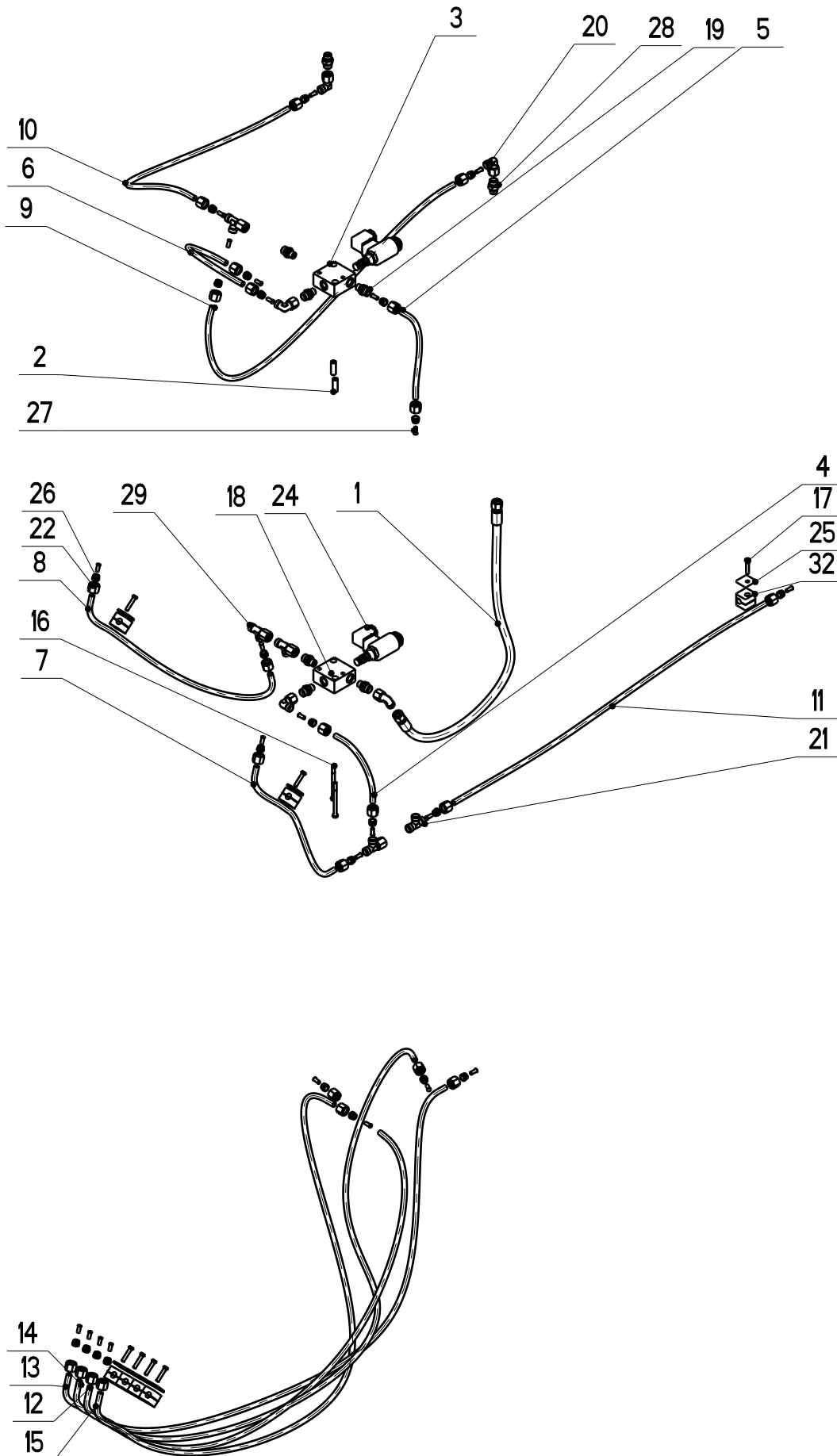
| 1  | 2        | 3   | 4 | Name                 |
|----|----------|-----|---|----------------------|
| 1  | 07081097 | 1   |   | HOSE                 |
| 2  | 20213002 | 2   |   | SPACER POST 6.2x30   |
| 3  | 00082030 | 2   |   | CUBE                 |
| 4  | 01083031 | 1   |   | HOSE 200 mm          |
| 5  | 01083031 | 1   |   | HOSE 250 mm          |
| 6  | 01083031 | 1   |   | HOSE 400 mm          |
| 7  | 01083031 | 1   |   | HOSE 360 mm          |
| 8  | 01083031 | 1   |   | HOSE 600 mm          |
| 9  | 01083031 | 1   |   | HOSE 860 mm          |
| 10 | 01083031 | 1   |   | HOSE 910 mm          |
| 11 | 01083031 | 1   |   | HOSE 1000 mm         |
| 12 | 01083031 | 1   |   | HOSE 1980 mm         |
| 13 | 01083031 | 1   |   | HOSE 1930 mm         |
| 14 | 01083031 | 1   |   | HOSE 1900 mm         |
| 15 | 01083031 | 1   |   | HOSE 1870 mm         |
| 16 | 07087050 | 2   |   | SCREW M6x80          |
| 17 | 12066033 | 7   |   | SCREW M6x30          |
| 18 | 00031055 | 2   |   | WASHER 6             |
| 19 | 07081043 | 6   |   | SOCKET               |
| 20 | 07081040 | 5   |   | SOCKET               |
| 21 | 07081039 | 1   |   | SOCKET               |
| 22 | 00081107 | 24  |   | NUT                  |
| 23 | 14102052 | 10  |   | BINDER CABLE 200x4.8 |
| 24 | 08083050 | 2   |   | DISTRIBUTOR          |
| 25 | 07081045 | 7   |   | SHEET                |
| 26 | 00081108 | 24  |   | RING                 |
| 27 | 00081109 | 24  |   | INSERTION            |
| 28 | 09081017 | 2   |   | SOCKET               |
| 29 | 08081104 | 4   |   | T-SOCKET             |
| 30 | 07081044 | 7   |   | CLAMP                |
| 31 | 09065042 | 1.6 |   | HOSE                 |



| 1  | 2        | 3   | 4 | Name                  |
|----|----------|-----|---|-----------------------|
| 1  | 07081097 | 1   |   | HOSE 108x1300         |
| 2  | 20213002 | 4   |   | SPACER POST 6.2x30    |
| 3  | 08081096 | 1   |   | CUBE                  |
| 4  | 00082030 | 2   |   | CUBE                  |
| 5  | 01083031 | 1   |   | HOSE 200 mm           |
| 6  | 01083031 | 1   |   | HOSE 250 mm           |
| 7  | 01083031 | 1   |   | HOSE 400 mm           |
| 8  | 01083031 | 1   |   | HOSE 500 mm           |
| 9  | 01083031 | 1   |   | HOSE 360 mm           |
| 10 | 01083031 | 1   |   | HOSE 400 mm           |
| 11 | 01083031 | 1   |   | HOSE 400 mm           |
| 12 | 01083031 | 1   |   | HOSE 600 mm           |
| 13 | 01083031 | 1   |   | HOSE 1000 mm          |
| 14 | 01083031 | 1   |   | HOSE 1000 mm          |
| 15 | 01083031 | 1   |   | HOSE 1400 mm          |
| 16 | 01083031 | 1   |   | HOSE 1780 mm          |
| 17 | 01083031 | 1   |   | HOSE 1510 mm          |
| 18 | 01083031 | 1   |   | HOSE 1690 mm          |
| 19 | 01083031 | 1   |   | HOSE 1560 mm          |
| 20 | 09065042 | 1.6 |   | HOSE SSK 40 /GS 5011/ |
| 21 | 07087050 | 2   |   | SCREW M6x80           |
| 22 | 12066033 | 7   |   | SCREW M6x30           |
| 23 | 09061034 | 2   |   | SCREW M6x60           |
| 24 | 01083033 | 2   |   | NUT M6                |
| 25 | 00031055 | 4   |   | WASHER 6              |
| 26 | 07081043 | 9   |   | SOCKET                |
| 27 | 07081040 | 4   |   | SOCKET                |
| 28 | 07081039 | 1   |   | SOCKET                |
| 29 | 00081107 | 32  |   | NUT                   |
| 30 | 14102052 | 10  |   | BINDER CABLE 200x4.8  |
| 31 | 08081097 | 1   |   | VALVE                 |
| 32 | 08083050 | 2   |   | DISTRIBUTOR           |
| 33 | 07081045 | 7   |   | SHEET                 |
| 34 | 00081108 | 32  |   | RING                  |
| 35 | 00081109 | 32  |   | INSERTION             |
| 36 | 07081088 | 2   |   | SOCKET                |
| 37 | 09081017 | 4   |   | SOCKET                |
| 38 | 08081104 | 5   |   | T-SOCKET              |
| 39 | 07081044 | 7   |   | CLAMP                 |

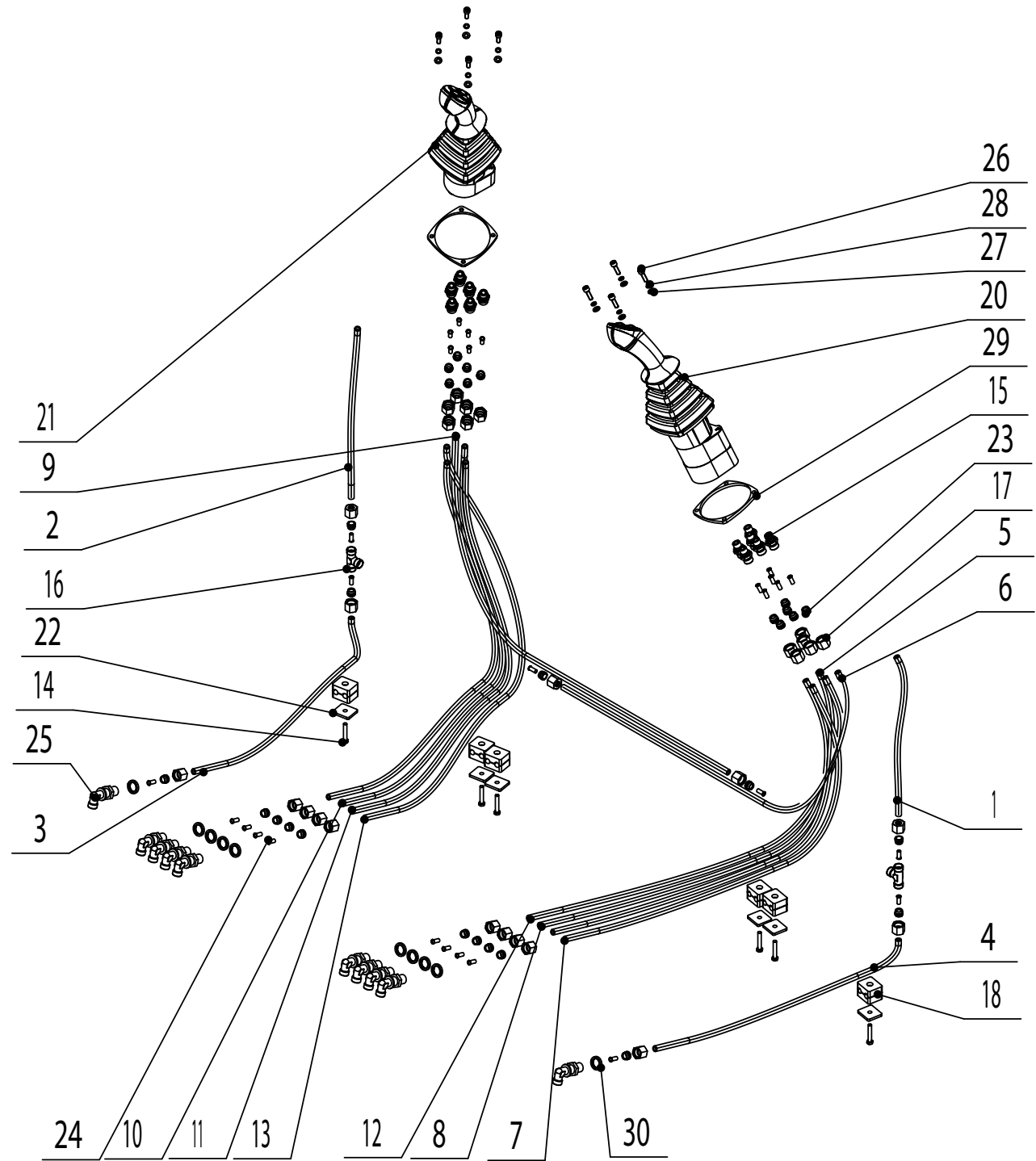


| 1  | 2        | 3 | 4 | Name               |
|----|----------|---|---|--------------------|
| 1  | 20215001 | 1 |   | CLAMP              |
| 2  | 20215002 | 1 |   | BRACKET            |
| 3  | 20215003 | 1 |   | FUEL LEVEL SENSING |
| 4  | 20215004 | 1 |   | BRACKET            |
| 5  | 20215005 | 1 |   | PEDAL              |
| 6  | 12085007 | 1 |   | PIN                |
| 7  | 12085059 | 1 |   | PIN                |
| 8  | 12085008 | 1 |   | PIN                |
| 9  | 20215009 | 1 |   | COVER              |
| 10 | 00083026 | 1 |   | RUBBER CAP         |
| 11 | 06331008 | 1 |   | SCREW M5x10        |
| 12 | 06261026 | 4 |   | SCREW M6x12        |
| 13 | 02121018 | 2 |   | SCREW M6x16        |
| 14 | 07157019 | 2 |   | SCREW M3.9x13      |
| 15 | 09101029 | 2 |   | NUT M6             |
| 16 | 00020012 | 2 |   | WASHER 6.4         |
| 17 | 00031055 | 6 |   | WASHER 6           |
| 18 | 12085056 | 1 |   | COTTER PIN 3.2x32  |
| 19 | 13151038 | 2 |   | SEALING RING 4     |
| 20 | 12085010 | 2 |   | BEARING            |

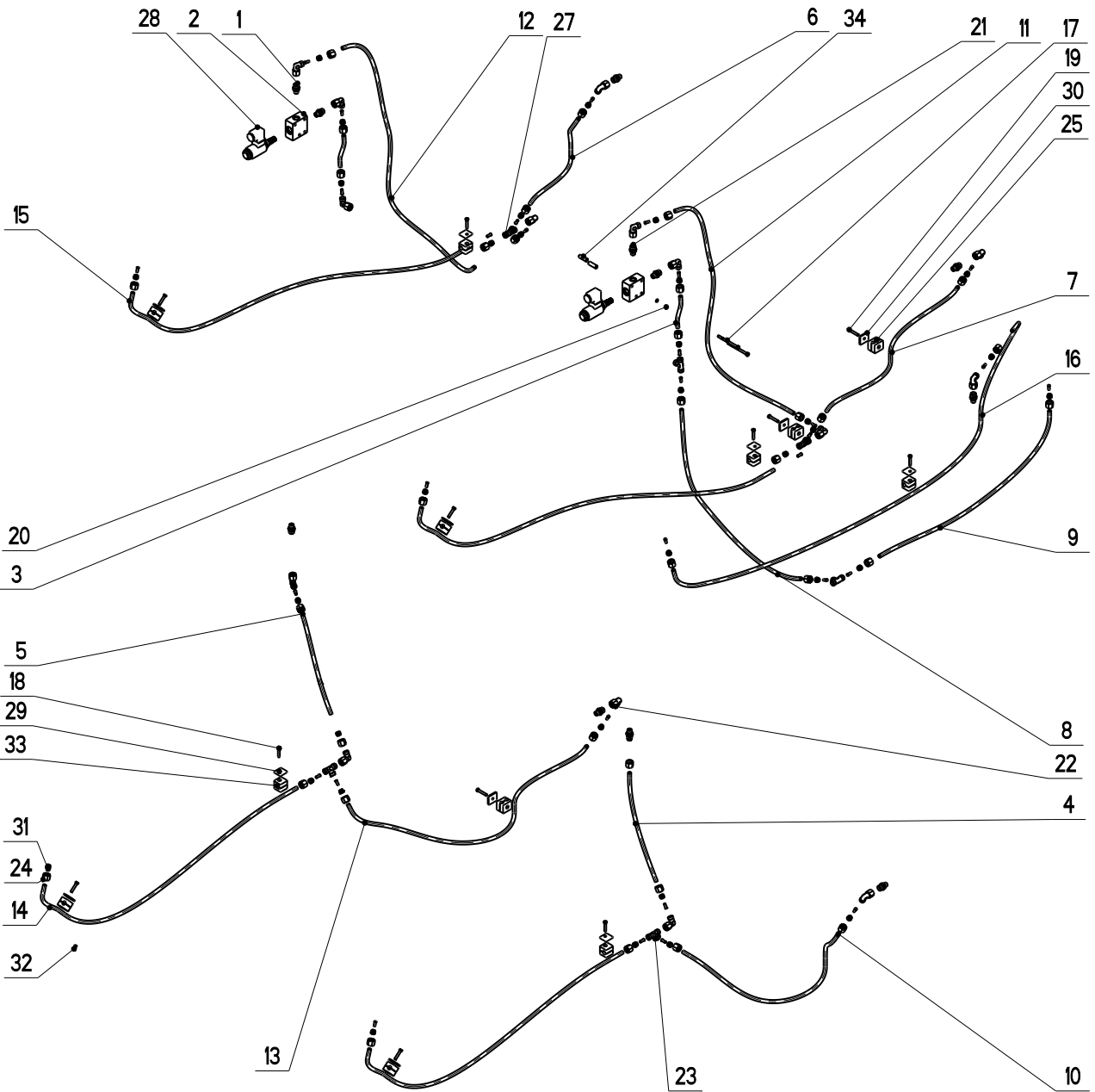




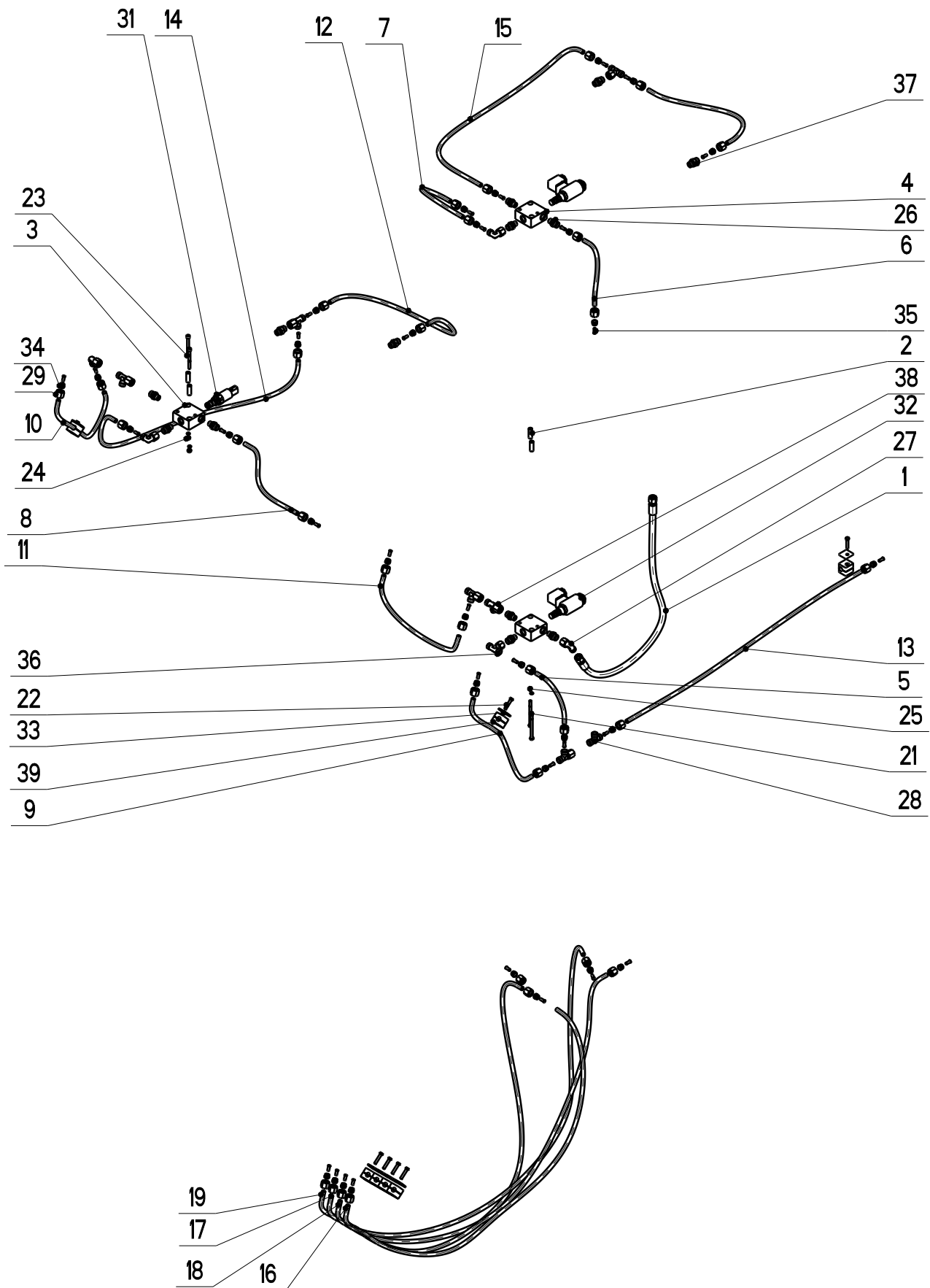
| 1  | 2        | 3   | 4 | Name                 |
|----|----------|-----|---|----------------------|
| 1  | 07081097 | 1   |   | HOSE                 |
| 2  | 20213002 | 2   |   | SPACER POST          |
| 3  | 21216003 | 2   |   | CUBE                 |
| 4  | 01083031 | 1   |   | HOSE 10x2x200        |
| 5  | 01083031 | 1   |   | HOSE 10x2x250        |
| 6  | 01083031 | 1   |   | HOSE 10x2x400        |
| 7  | 01083031 | 1   |   | HOSE 10x2x360        |
| 8  | 01083031 | 1   |   | HOSE 10x2x600        |
| 9  | 01083031 | 1   |   | HOSE 10x2x860        |
| 10 | 01083031 | 1   |   | HOSE 10x2x910        |
| 11 | 01083031 | 1   |   | HOSE 10x2x1590       |
| 12 | 01083031 | 1   |   | HOSE 10x2x1410       |
| 13 | 01083031 | 1   |   | HOSE 10x2x1930       |
| 14 | 01083031 | 1   |   | HOSE 10x2x1870       |
| 15 | 01083031 | 1   |   | HOSE 10x2x1000       |
| 16 | 07087050 | 2   |   | SCREW M6x80          |
| 17 | 12066033 | 7   |   | SCREW M6x30          |
| 18 | 00031055 | 2   |   | WASHER 6             |
| 19 | 07081043 | 6   |   | SOCKET               |
| 20 | 07081040 | 5   |   | SOCKET               |
| 21 | 07081039 | 1   |   | T-SOCKET             |
| 22 | 00081107 | 24  |   | NUT UEM NW 08 L      |
| 23 | 14102052 | 10  |   | CABLE BINDER 200X4.8 |
| 24 | 08083050 | 2   |   | DISTRIBUTOR          |
| 25 | 07081045 | 7   |   | SHEET                |
| 26 | 00081108 | 24  |   | RING                 |
| 27 | 00081109 | 24  |   | INSERTION            |
| 28 | 09081017 | 2   |   | SOCKET               |
| 29 | 08081104 | 4   |   | T-SOCKET             |
| 30 | 07081044 | 7   |   | CLAMP                |
| 31 | 09065042 | 1,6 |   | HOSE                 |



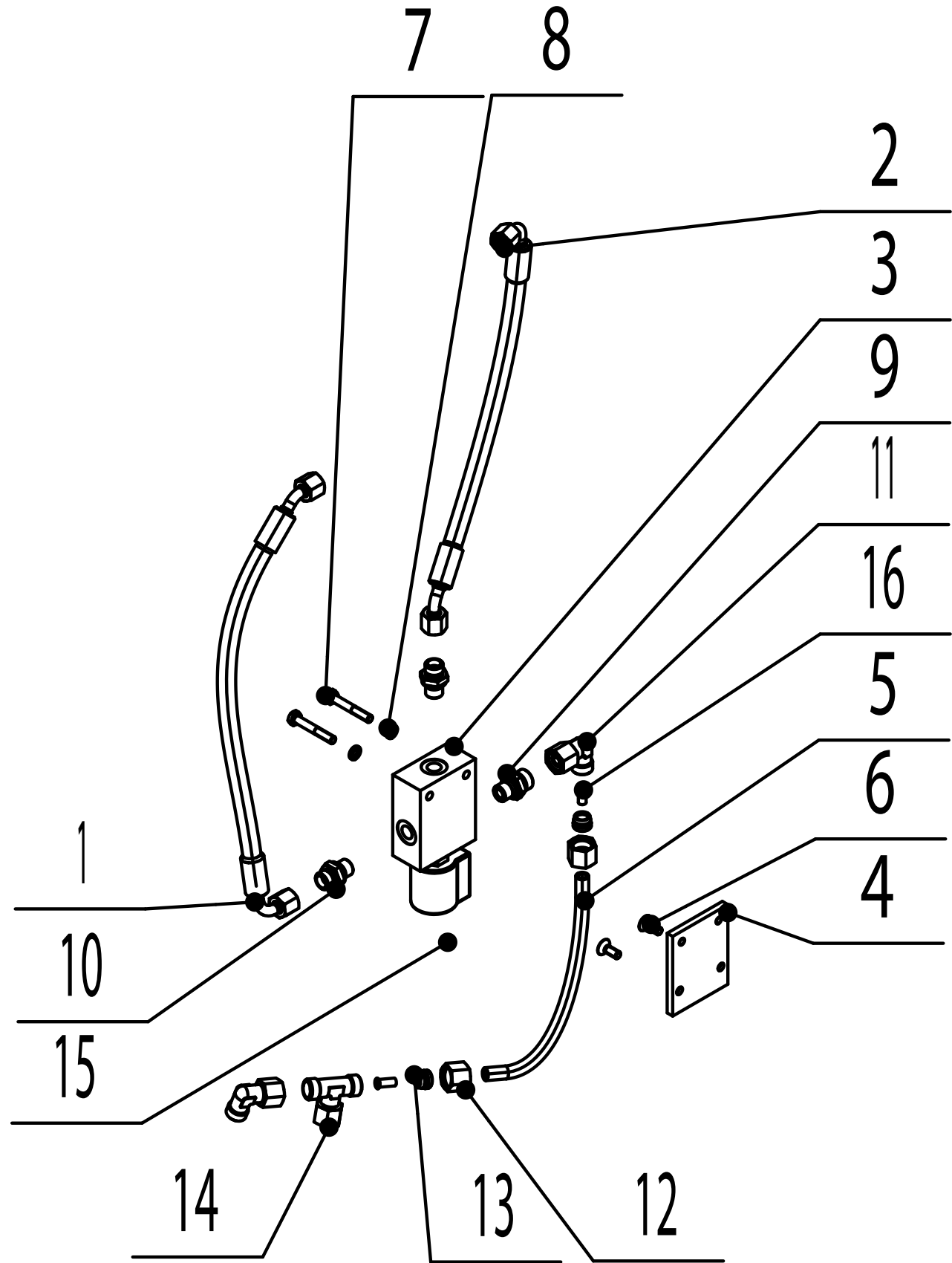
| 1  | 2        | 3  | 4 | Name                    |
|----|----------|----|---|-------------------------|
| 1  | 01083031 | 1  |   | HOSE 10x2x335           |
| 2  | 01083031 | 1  |   | HOSE 10x2x370           |
| 3  | 01083031 | 1  |   | HOSE 10x2x570           |
| 4  | 01083031 | 1  |   | HOSE 10x2x570           |
| 5  | 01083031 | 1  |   | HOSE 10x2x1000          |
| 6  | 01083031 | 1  |   | HOSE 10x2x970           |
| 7  | 01083031 | 1  |   | HOSE 10x2x1000          |
| 8  | 01083031 | 1  |   | HOSE 10x2x1020          |
| 9  | 01083031 | 1  |   | HOSE 10x2x970           |
| 10 | 01083031 | 2  |   | HOSE 10x2x1000          |
| 11 | 01083031 | 1  |   | HOSE 10x2x1020          |
| 12 | 01083031 | 1  |   | HOSE 10x2x1020          |
| 13 | 01083031 | 1  |   | HOSE 10x2x1020          |
| 14 | 07402013 | 6  |   | SCREW M6x35             |
| 15 | 07081043 | 12 |   | SOCKET                  |
| 16 | 07081039 | 2  |   | SOCKET                  |
| 17 | 00081107 | 28 |   | NUT                     |
| 18 | 20211017 | 6  |   | CLAMP                   |
| 19 | 14102052 | 4  |   | BINDER CABLE 200x4.8    |
| 20 | 07088034 | 1  |   | LEFT REMOTE CONTROLLER  |
| 21 | 11084054 | 1  |   | RIGHT REMOTE CONTROLLER |
| 22 | 07081015 | 6  |   | SHEET                   |
| 23 | 00081108 | 28 |   | RING                    |
| 24 | 00081109 | 28 |   | INSERTION               |
| 25 | 11082002 | 10 |   | SOCKET                  |
| 26 | 01215022 | 8  |   | SCREW M6x20             |
| 27 | 00020012 | 8  |   | WASHER 6.4              |
| 28 | 00031055 | 8  |   | WASHER 6                |
| 29 | 20211001 | 2  |   | WASHER                  |
| 30 | 00171024 | 10 |   | WASHER 16.3             |



| 1  | 2        | 3  | 4 | Name                 |
|----|----------|----|---|----------------------|
| 1  | 21212033 | 1  |   | SOCKET               |
| 2  | 21216003 | 2  |   | CUBE                 |
| 3  | 01083031 | 2  |   | HOSE 10x2x40         |
| 4  | 01083031 | 1  |   | HOSE 10x2x390        |
| 5  | 01083031 | 1  |   | HOSE 10x2x420        |
| 6  | 01083031 | 1  |   | HOSE 10x2x540        |
| 7  | 01083031 | 1  |   | HOSE 10x2x600        |
| 8  | 01083031 | 1  |   | HOSE 10x2x900        |
| 9  | 01083031 | 1  |   | HOSE 10x2x900        |
| 10 | 01083031 | 1  |   | HOSE 10x2x1020       |
| 11 | 01083031 | 1  |   | HOSE 10x2x1000       |
| 12 | 01083031 | 1  |   | HOSE 10x2x1100       |
| 13 | 01083031 | 1  |   | HOSE 10x2x1120       |
| 14 | 01083031 | 2  |   | HOSE 10x2x1500       |
| 15 | 01083031 | 2  |   | HOSE 10x2x2000       |
| 16 | 01083031 | 1  |   | HOSE 10x2x2100       |
| 17 | 07087050 | 2  |   | SCREW M6x80          |
| 18 | 12066033 | 9  |   | SCREW M6x30          |
| 19 | 07402013 | 3  |   | SCREW M6x35          |
| 20 | 00031055 | 2  |   | WASHER 6             |
| 21 | 07081043 | 10 |   | SOCKET               |
| 22 | 07081040 | 15 |   | SOCKET               |
| 23 | 07081039 | 4  |   | T-SOCKET             |
| 24 | 00081107 | 34 |   | NUT UEM NW 08 L      |
| 25 | 20211017 | 3  |   | CLAMP                |
| 26 | 14102052 | 10 |   | CABLE BINDER 200X4.8 |
| 27 | 12081030 | 2  |   | VALVE                |
| 28 | 08083050 | 2  |   | DISTRIBUTOR          |
| 29 | 07081045 | 9  |   | SHEET                |
| 30 | 07081015 | 3  |   | SHEET                |
| 31 | 00081108 | 34 |   | RING                 |
| 32 | 00081109 | 34 |   | INSERTION            |
| 33 | 07081044 | 9  |   | CLAMP                |
| 34 | 20213002 | 2  |   | SPACER POST          |

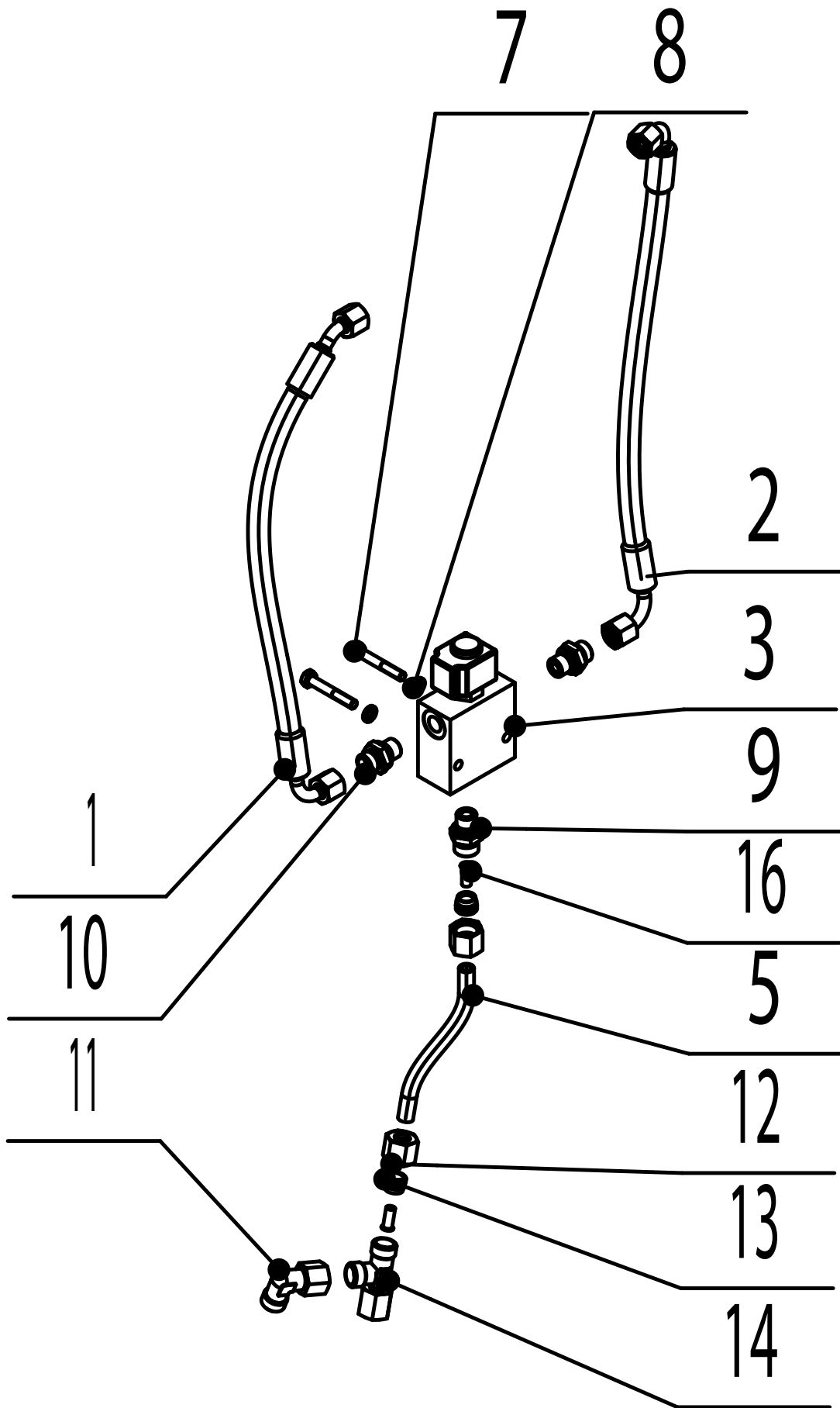


| 1  | 2        | 3   | 4 | Name                 |
|----|----------|-----|---|----------------------|
| 1  | 07081097 | 1   |   | HOSE                 |
| 2  | 20213002 | 4   |   | SPACER POST          |
| 3  | 08081096 | 1   |   | CUBE                 |
| 4  | 21216003 | 2   |   | CUBE                 |
| 5  | 01083031 | 1   |   | HOSE 10x2x200        |
| 6  | 01083031 | 1   |   | HOSE 10x2x250        |
| 7  | 01083031 | 1   |   | HOSE 10x2x400        |
| 8  | 01083031 | 1   |   | HOSE 10x2x500        |
| 9  | 01083031 | 1   |   | HOSE 10x2x360        |
| 10 | 01083031 | 2   |   | HOSE 10x2x400        |
| 11 | 01083031 | 1   |   | HOSE 10x2x400        |
| 13 | 01083031 | 1   |   | HOSE 10x2x1400       |
| 14 | 01083031 | 1   |   | HOSE 10x2x1000       |
| 15 | 01083031 | 1   |   | HOSE 10x2x600        |
| 16 | 01083031 | 1   |   | HOSE 10x2x1590       |
| 17 | 01083031 | 1   |   | HOSE 10x2x1780       |
| 18 | 01083031 | 1   |   | HOSE 10x2x1410       |
| 19 | 01083031 | 1   |   | HOSE 10x2x1560       |
| 20 | 01083031 | 1   |   | HOSE 10x2x1000       |
| 21 | 07087050 | 2   |   | SCREW M6x80          |
| 22 | 12066033 | 7   |   | SCREW M6x30          |
| 23 | 09061034 | 2   |   | SCREW M6x60          |
| 24 | 01083033 | 2   |   | NUT M6               |
| 25 | 00031055 | 4   |   | WASHER 6             |
| 26 | 07081043 | 9   |   | SOCKET               |
| 27 | 07081040 | 4   |   | SOCKET               |
| 28 | 07081039 | 1   |   | T-SOCKET             |
| 29 | 00081107 | 32  |   | NUT UEM NW 08 L      |
| 30 | 14102052 | 10  |   | CABLE BINDER 200X4.8 |
| 31 | 08081097 | 1   |   | VALVE                |
| 32 | 08083050 | 2   |   | DISTRIBUTOR          |
| 33 | 07081045 | 7   |   | SHEET                |
| 34 | 00081108 | 32  |   | RING                 |
| 35 | 00081109 | 32  |   | INSERTION            |
| 36 | 07081088 | 2   |   | T-SOCKET             |
| 37 | 09081017 | 4   |   | SOCKET               |
| 38 | 08081104 | 5   |   | T-SOCKET             |
| 39 | 07081044 | 7   |   | CLAMP                |
| 40 | 09065042 | 1,6 |   | HOSE                 |

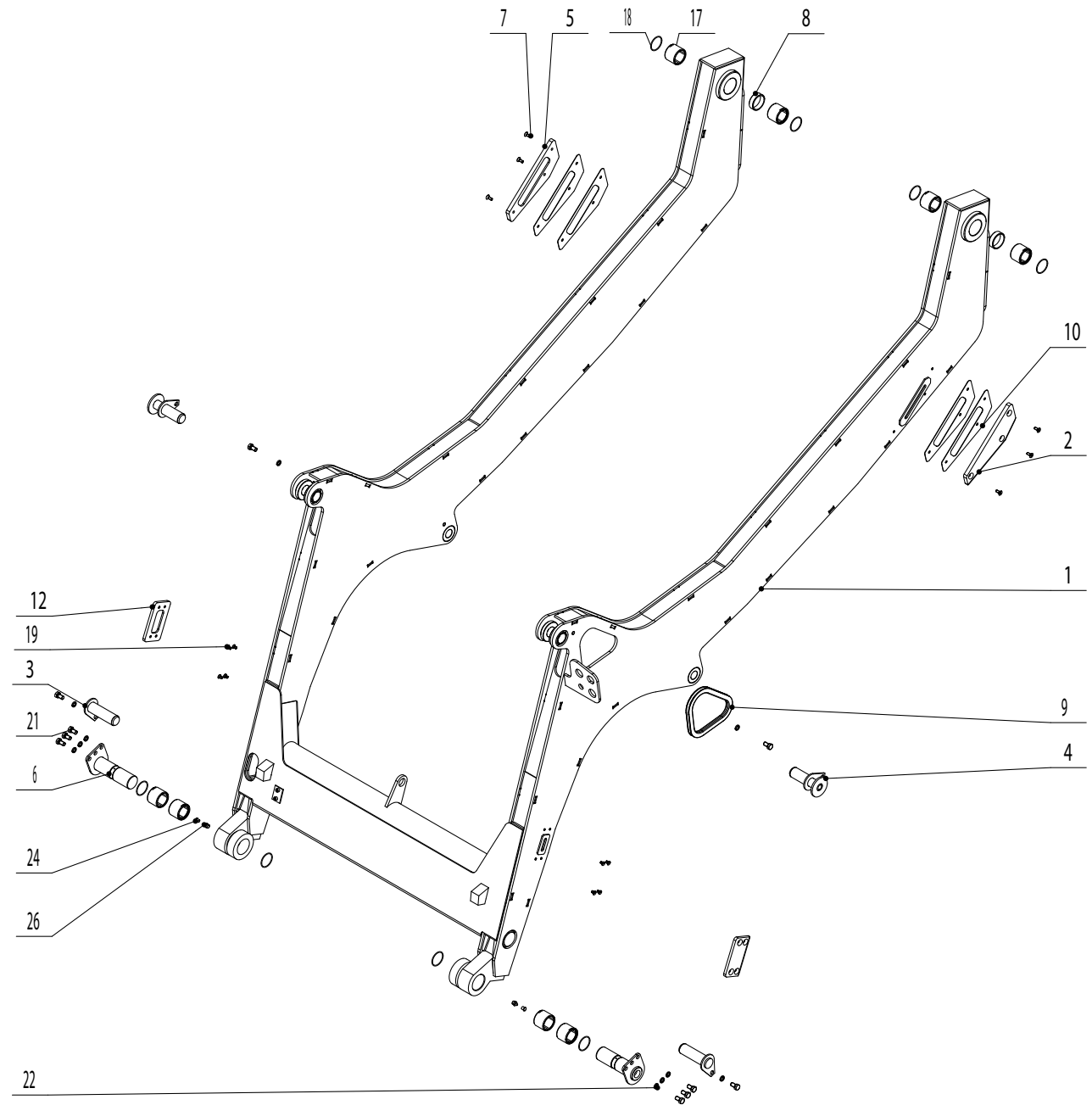




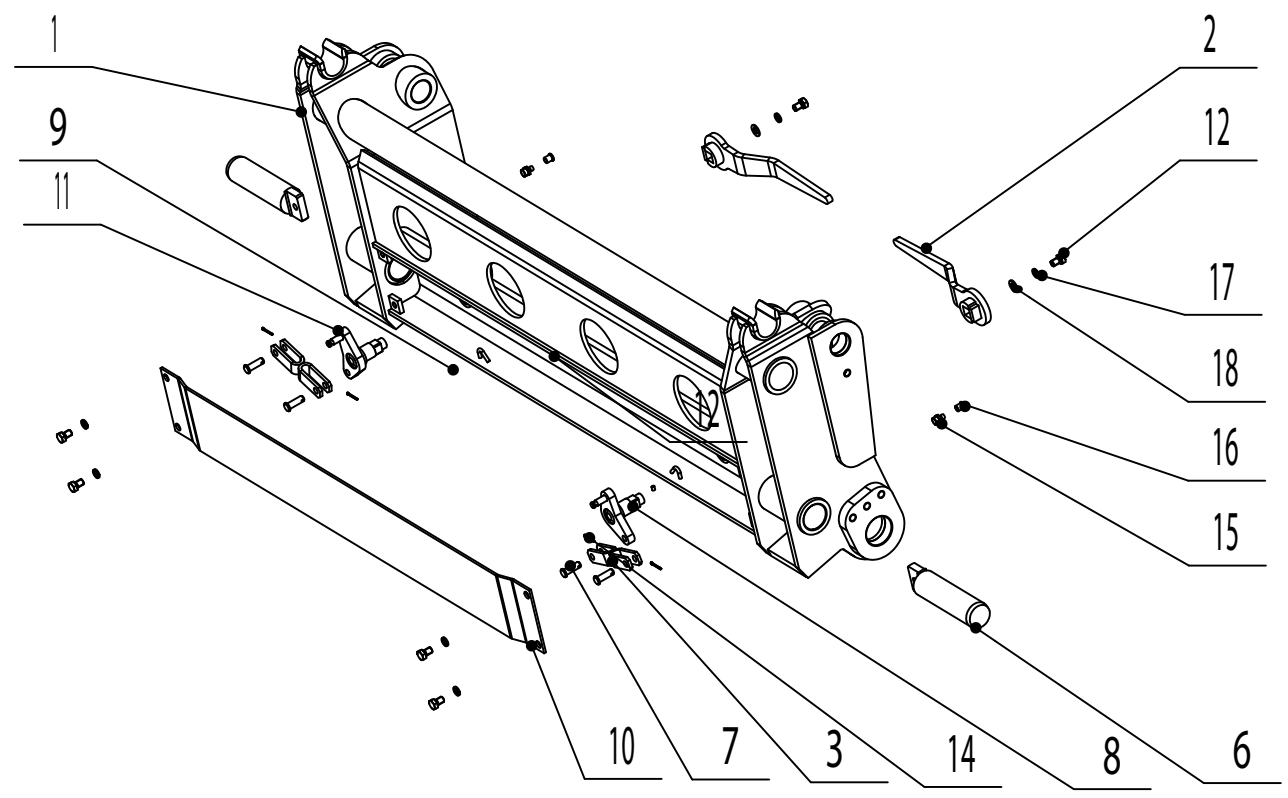
| 1  | 2        | 3    | 4 | Name                    |
|----|----------|------|---|-------------------------|
| 1  | 11062015 | 1    |   | HOSE                    |
| 2  | 21221002 | 1    |   | HOSE                    |
| 3  | 21221003 | 1    |   | CUBE OF PRESSURE RELIEF |
| 4  | 21221004 | 1    |   | WASHER                  |
| 5  | 01083031 | 0.23 |   | HOSE                    |
| 6  | 20251007 | 2    |   | SCREW M6x16             |
| 7  | 02086021 | 2    |   | SCREW M6x40             |
| 8  | 00176005 | 2    |   | WASHER 6                |
| 9  | 07081043 | 1    |   | SOCKET                  |
| 10 | 07062034 | 2    |   | SOCKET                  |
| 11 | 07081040 | 2    |   | SOCKET                  |
| 12 | 00081107 | 2    |   | NUT                     |
| 13 | 00081108 | 2    |   | RING                    |
| 14 | 07081088 | 1    |   | SOCKET                  |
| 15 | 21221015 | 1    |   | SCREW M4x5              |
| 16 | 00081109 | 2    |   | INSERTION               |



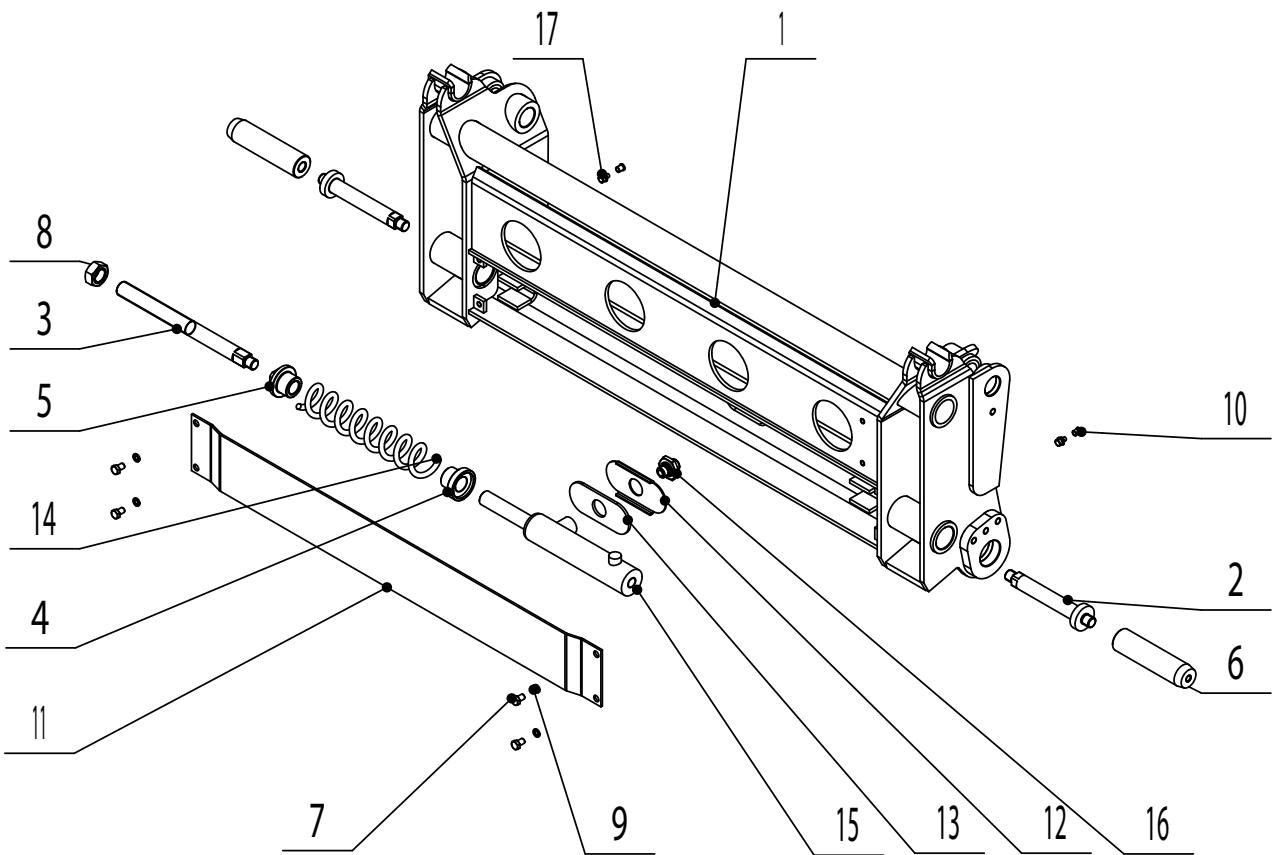
| 1  | 2        | 3    | 4 | Name        |
|----|----------|------|---|-------------|
| 1  | 11062015 | 1    |   | HOSE        |
| 2  | 21222002 | 1    |   | HOSE        |
| 3  | 12062086 | 1    |   | VALVE       |
| 5  | 01083031 | 0.18 |   | HOSE        |
| 7  | 02086021 | 2    |   | SCREW M6x40 |
| 8  | 00176005 | 2    |   | WASHER 6    |
| 9  | 07081043 | 1    |   | SOCKET      |
| 10 | 07062034 | 2    |   | SOCKET      |
| 11 | 07081040 | 1    |   | SOCKET      |
| 12 | 00081107 | 2    |   | NUT         |
| 13 | 00081108 | 2    |   | RING        |
| 14 | 08081104 | 1    |   | T-SOCKET    |
| 16 | 00081109 | 2    |   | INSERTION   |



| <b>1</b> | <b>2</b> | <b>3</b> | <b>4</b> | <b>Name</b>       |
|----------|----------|----------|----------|-------------------|
| 1        | 20251001 | 1        |          | BOOM              |
| 2        | 20251002 | 1        |          | LEFT REAR BUFFER  |
| 3        | 11091041 | 2        |          | PIN               |
| 4        | 12091056 | 2        |          | PIN               |
| 5        | 20251005 | 1        |          | RIGHT REAR BUFFER |
| 6        | 08090060 | 2        |          | PIN               |
| 7        | 20251007 | 6        |          | SCREW M6x16       |
| 8        | 20251008 | 2        |          | RING              |
| 9        | 20251009 | 1        |          | FACING            |
| 10       | 20251010 | 4        |          | WASHER            |
| 12       | 11091038 | 2        |          | BUFFER            |
| 17       | 20251017 | 8        |          | BUSHING           |
| 18       | 00091026 | 8        |          | SEALING RING 40x2 |
| 19       | 00174090 | 8        |          | SCREW M6x10       |
| 21       | 11091019 | 10       |          | SCREW M10x18      |
| 22       | 00020029 | 10       |          | WASHER 10.2       |
| 24       | 00090023 | 2        |          | HEAD CAP          |
| 26       | 00090024 | 2        |          | LUBRICANT HEAD    |

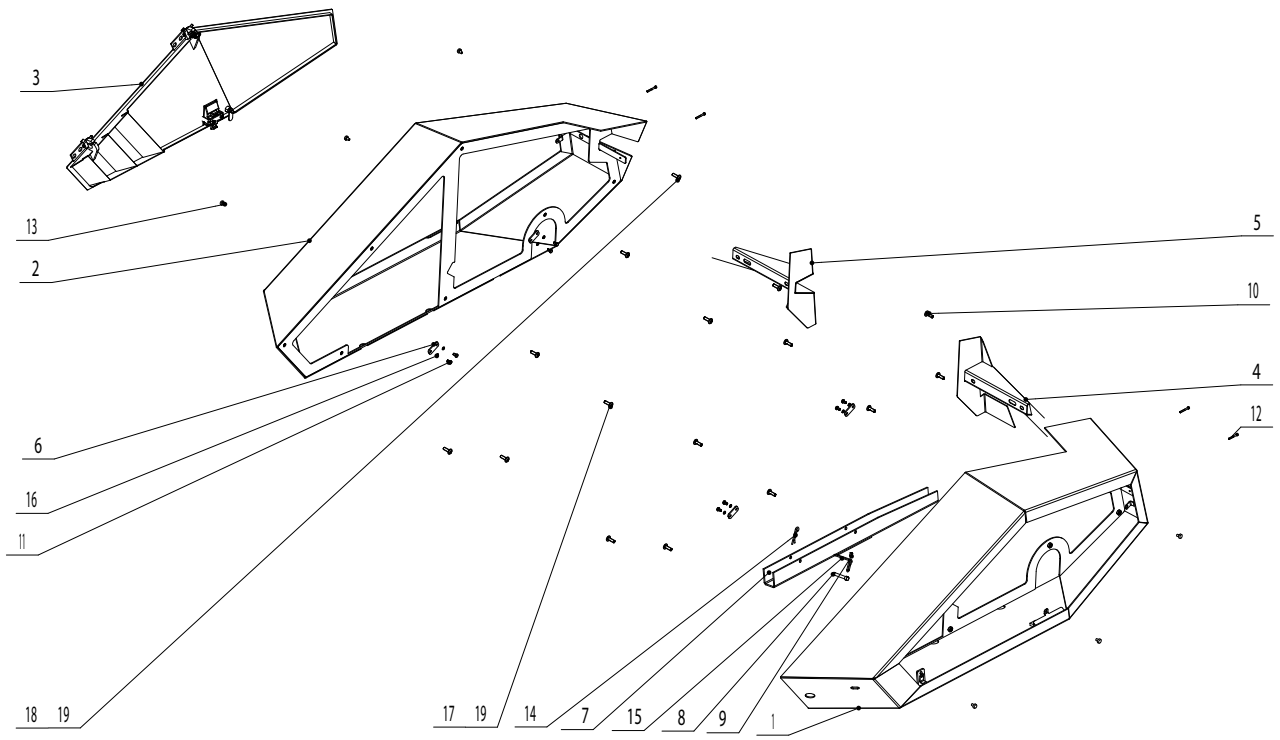


| 1  | 2        | 3 | 4 | Name                           |
|----|----------|---|---|--------------------------------|
| 1  | 11092018 | 1 |   | FRAME OF SPEED CLAMPING DEVICE |
| 2  | 00091007 | 2 |   | LEVER                          |
| 3  | 00092045 | 2 |   | DRAWBAR                        |
| 6  | 00091004 | 2 |   | PIN                            |
| 7  | 00091008 | 4 |   | PIN                            |
| 8  | 00092047 | 1 |   | PIN                            |
| 9  | 00092048 | 2 |   | SPRING                         |
| 10 | 00091010 | 1 |   | COVER                          |
| 11 | 00092046 | 1 |   | PIN                            |
| 12 | 00091019 | 6 |   | SCREW M8x12                    |
| 14 | 00081065 | 4 |   | COTTER PIN 2x20                |
| 15 | 00090024 | 2 |   | LUBRICANT HEAD                 |
| 16 | 00090023 | 2 |   | HEAD CAP                       |
| 17 | 00020019 | 6 |   | WASHER 8.2                     |
| 18 | 00020018 | 2 |   | WASHER 8.4                     |

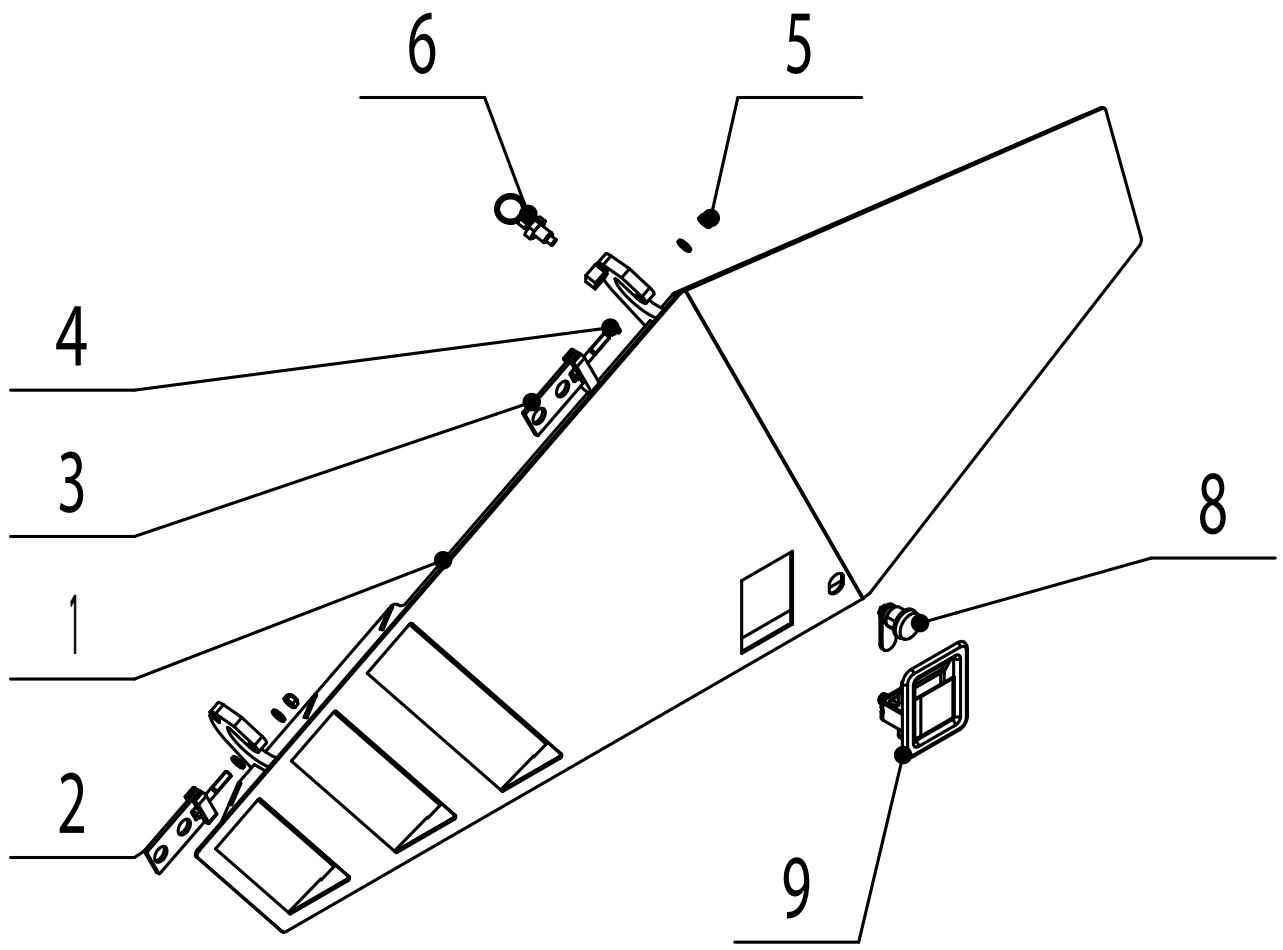




| 1  | 2        | 3 | 4 | Name                           |
|----|----------|---|---|--------------------------------|
| 1  | 20253001 | 1 |   | FRAME OF SPEED CLAMPING DEVICE |
| 2  | 20253002 | 2 |   | STOP                           |
| 3  | 20253003 | 1 |   | STOP                           |
| 4  | 20253004 | 1 |   | WASHER                         |
| 5  | 20253005 | 1 |   | WASHER                         |
| 6  | 20253006 | 2 |   | PIN                            |
| 7  | 00091019 | 4 |   | SCREW M8x12                    |
| 8  | 14093008 | 1 |   | NUT M22                        |
| 9  | 00020019 | 4 |   | WASHER 8.2                     |
| 10 | 00090023 | 2 |   | HEAD CAP                       |
| 11 | 00091010 | 1 |   | COVER                          |
| 12 | 20253012 | 1 |   | SHEET                          |
| 13 | 20253013 | 1 |   | FELT                           |
| 14 | 14093013 | 1 |   | SPRING                         |
| 15 | 14093014 | 1 |   | CYLINDER WITH COVER            |
| 16 | 20253016 | 1 |   | SOCKET                         |
| 17 | 00090024 | 2 |   | LUBRICANT HEAD                 |



| 1  | 2        | 3   | 4 | Name                |
|----|----------|-----|---|---------------------|
| 1  | 20301001 | 1   |   | LEFT COVER          |
| 2  | 20301002 | 1   |   | RIGHT COVER         |
| 3  | 20301003 | 1   |   | RIGHT DOOR ASSEMBLY |
| 4  | 20301004 | 1   |   | LEFT LIGHT SHEET    |
| 5  | 20301005 | 1   |   | RIGHT LIGHT SHEET   |
| 6  | 20301006 | 4   |   | WASHER              |
| 7  | 11091032 | 1   |   | STRUT               |
| 8  | 11091035 | 1   |   | PIN                 |
| 9  | 00120041 | 1   |   | PIPE                |
| 10 | 20301010 | 10  |   | SCREW M8x25         |
| 11 | 01121021 | 8   |   | SCREW M6x10         |
| 12 | 20301012 | 4   |   | SCREW M4x35         |
| 13 | 20301013 | 6   |   | STOP                |
| 14 | 10023013 | 1   |   | COTTER PIN          |
| 15 | 15121016 | 0.2 |   | CONDUCTOR           |
| 16 | 00031055 | 8   |   | WASHER 6            |
| 17 | 07172007 | 2   |   | SCREW M8x25         |
| 18 | 11064028 | 4   |   | SCREW M8x25         |
| 19 | 00020018 | 6   |   | WASHER 8.4          |

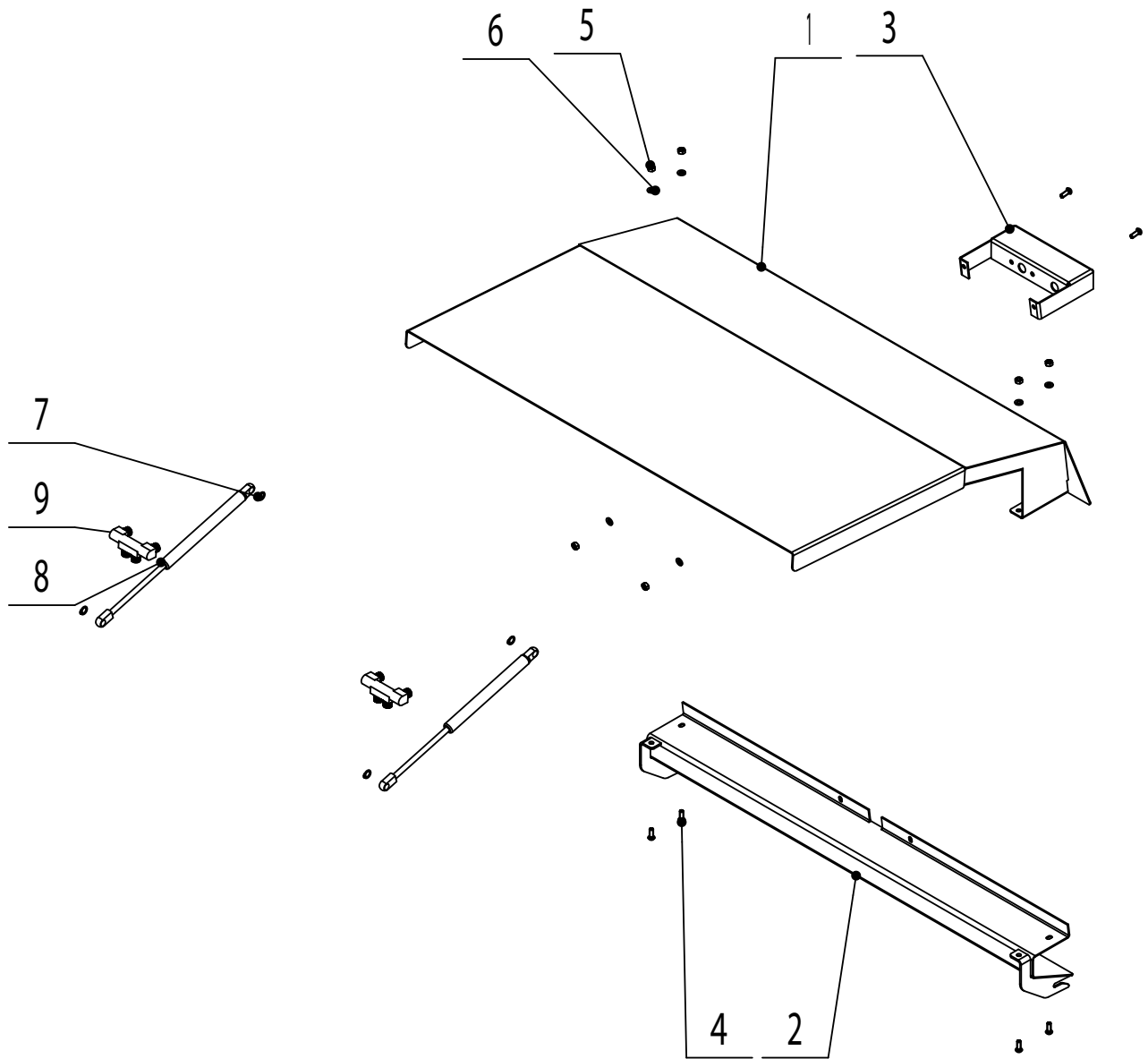


**LEFT DOOR ASSEMBLY****30.2**

| <b>1</b> | <b>2</b> | <b>3</b> | <b>4</b> | <b>Name</b>         |
|----------|----------|----------|----------|---------------------|
| 1        | 20302001 | 1        |          | WELDED LEFT DOOR    |
| 2        | 20302002 | 1        |          | LOWER JOINT         |
| 3        | 20302003 | 1        |          | UPPER JOINT         |
| 4        | 00020012 | 4        |          | WASHER 6.4          |
| 5        | 09101029 | 2        |          | NUT M6              |
| 6        | 20302006 | 1        |          | PIN WITH SPRING M10 |
| 8        | 20302008 | 1        |          | LOCK                |
| 9        | 20302009 | 1        |          | HANDLE              |

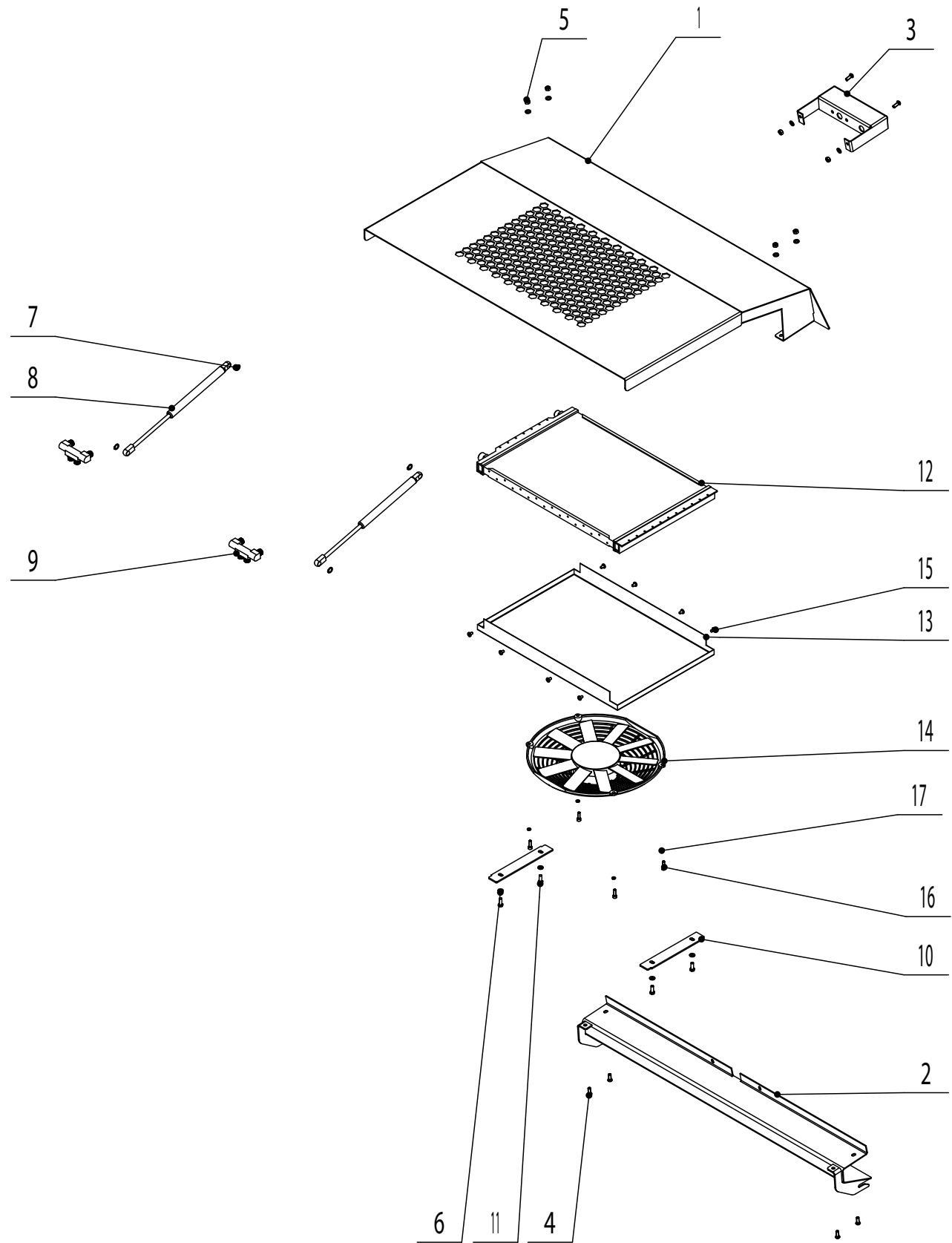


| 1  | 2        | 3    | 4 | Name              |
|----|----------|------|---|-------------------|
| 1  | 20303001 | 1    |   | WELDED REAR DOOR  |
| 2  | 20303002 | 1    |   | HANDLE            |
| 3  | 21303003 | 1    |   | TUBE              |
| 4  | 20303004 | 1    |   | SAFETY BAR        |
| 5  | 20303005 | 1    |   | SAFETY PIN        |
| 6  | 20303006 | 1    |   | BRACKET           |
| 8  | 07120009 | 2    |   | PIN               |
| 9  | 11020010 | 2    |   | WASHER            |
| 10 | 08120013 | 2    |   | STOP              |
| 11 | 01155013 | 2.41 |   | SEALING           |
| 13 | 00091019 | 2    |   | SCREW M8x12       |
| 14 | 06087055 | 4    |   | SCREW M12x16      |
| 15 | 20303015 | 1    |   | SCREW M8x160      |
| 16 | 10011038 | 1    |   | NUT M8            |
| 17 | 00020018 | 3    |   | WASHER 8          |
| 18 | 00083021 | 1    |   | WASHER 10.5       |
| 19 | 00031054 | 4    |   | WASHER 13         |
| 20 | 00031052 | 4    |   | WASHER 12         |
| 21 | 07120032 | 2    |   | COTTER PIN 4x22   |
| 22 | 00120019 | 1    |   | COTTER PIN 3.2x20 |
| 23 | 00084017 | 1    |   | SPRING            |
| 24 | 20302008 | 1    |   | LOCK              |
| 25 | 01061006 | 1    |   | NUT M8            |



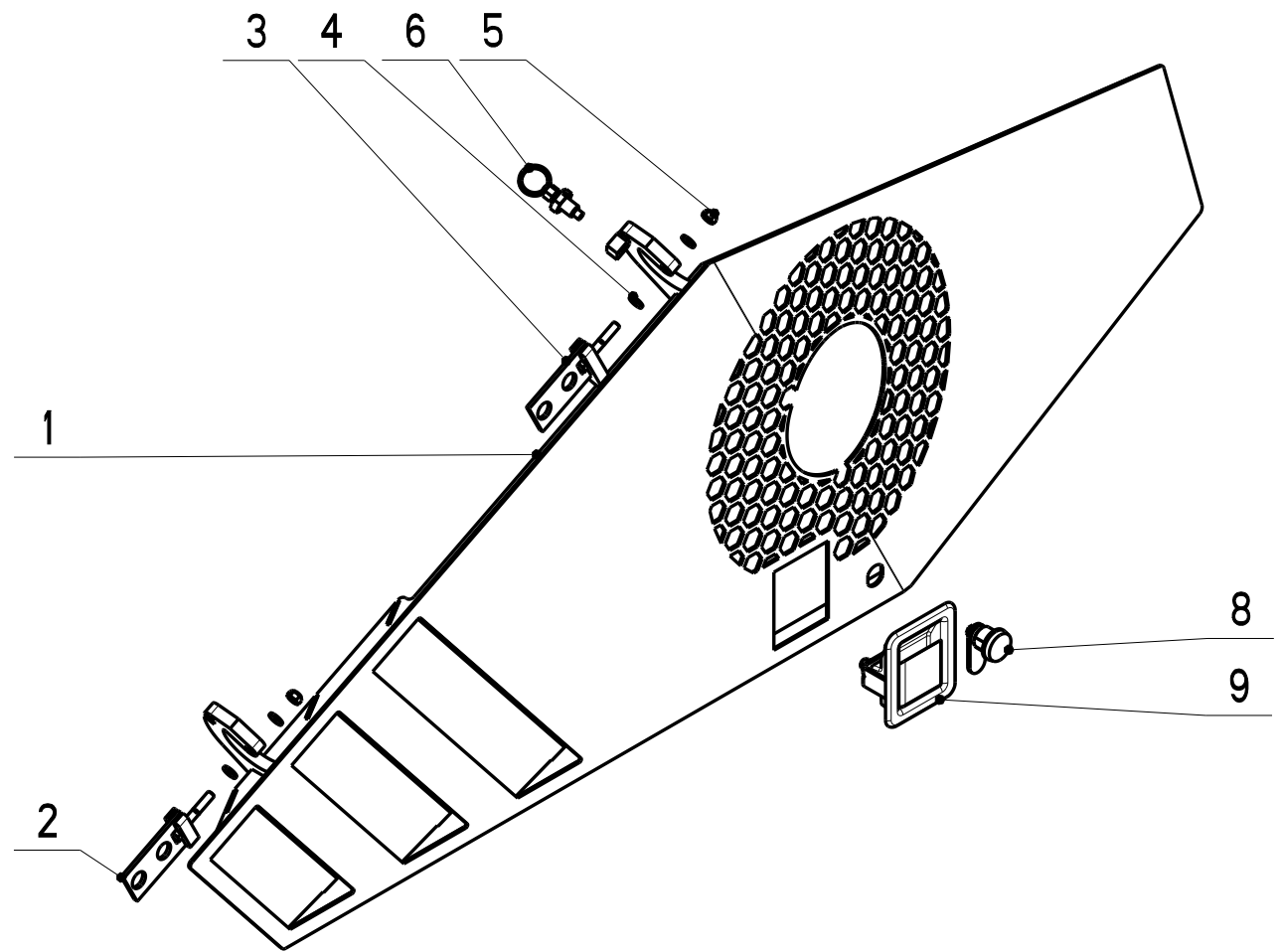


| 1 | 2        | 3 | 4 | Name                              |
|---|----------|---|---|-----------------------------------|
| 1 | 20304001 | 1 |   | WELDED FLIP-OUT COVER             |
| 2 | 20304002 | 1 |   | LOWER SHEET OF COVER              |
| 3 | 20304003 | 1 |   | BRACKET OF LICENSE PLATE LIGHTING |
| 4 | 07033047 | 6 |   | SCREW M6x16                       |
| 5 | 01083033 | 6 |   | NUT M6                            |
| 6 | 00020012 | 6 |   | WASHER 6.4                        |
| 7 | 00020020 | 4 |   | SAFETY RING 10                    |
| 8 | 20304008 | 2 |   | STRUT                             |
| 9 | 20304009 | 2 |   | JOINT                             |



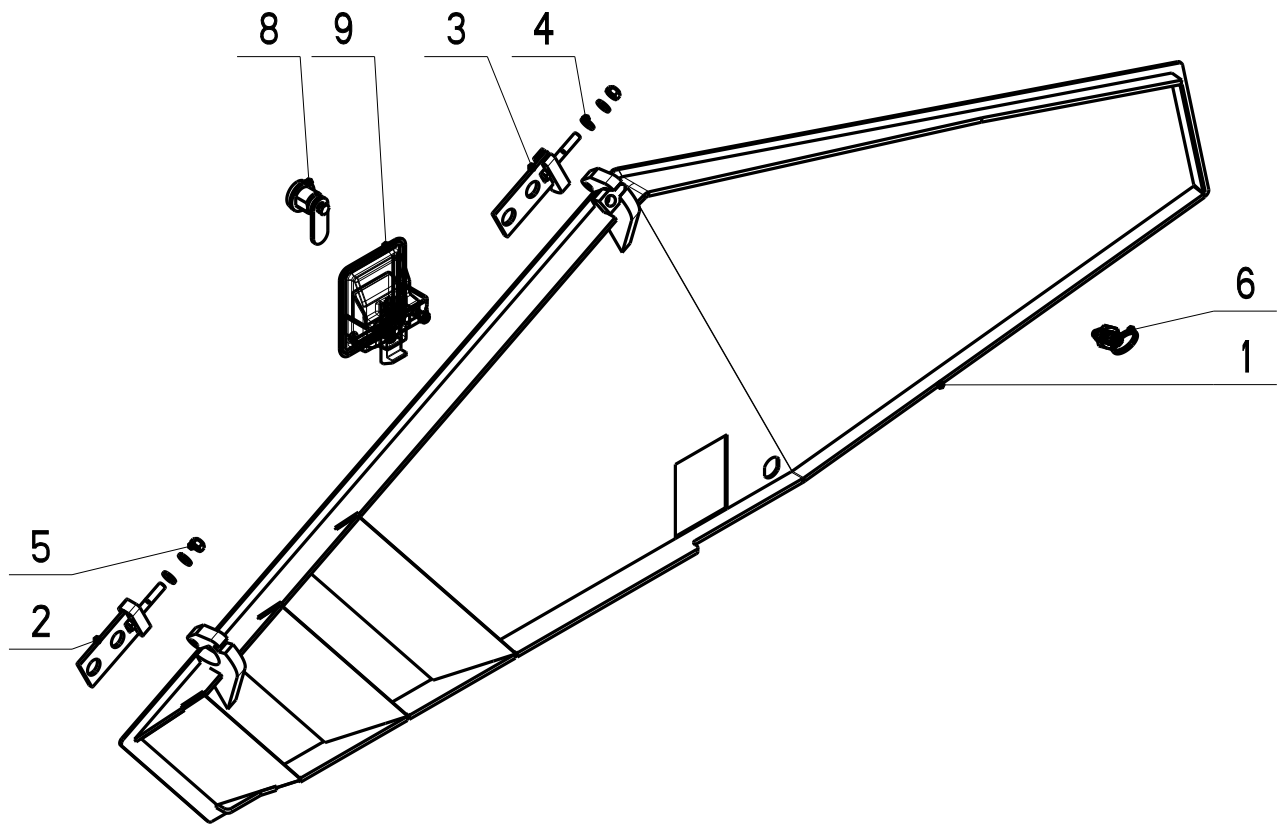
**FLIP-OUT COVER WITH VENTILATOR ASSEMBLY****30.5**

| <b>1</b> | <b>2</b> | <b>3</b> | <b>4</b> | <b>Name</b>                       |
|----------|----------|----------|----------|-----------------------------------|
| 1        | 20305001 | 1        |          | WELDED FLIP-OUT COVER             |
| 2        | 20304002 | 1        |          | LOWER SHEET OF COVER              |
| 3        | 20304003 | 1        |          | BRACKET OF LICENSE PLATE LIGHTING |
| 4        | 07033047 | 6        |          | SCREW M6x16                       |
| 5        | 01083033 | 6        |          | NUT M6                            |
| 6        | 00020012 | 10       |          | WASHER 6.4                        |
| 7        | 00020020 | 4        |          | RING 10                           |
| 8        | 20305008 | 2        |          | STRUT                             |
| 9        | 20304009 | 2        |          | JOINT                             |
| 10       | 20305010 | 2        |          | COOLER BRACKET                    |
| 11       | 02121018 | 4        |          | SCREW M6x16                       |
| 12       | 20305012 | 1        |          | COOLER                            |
| 13       | 20305013 | 1        |          | TUBE                              |
| 14       | 20305014 | 1        |          | VENTILATOR                        |
| 15       | 20305015 | 8        |          | SCREW ST4.8x9.5                   |
| 16       | 20305016 | 4        |          | SCREW M5x16                       |
| 17       | 00081064 | 4        |          | WASHER 5.1                        |



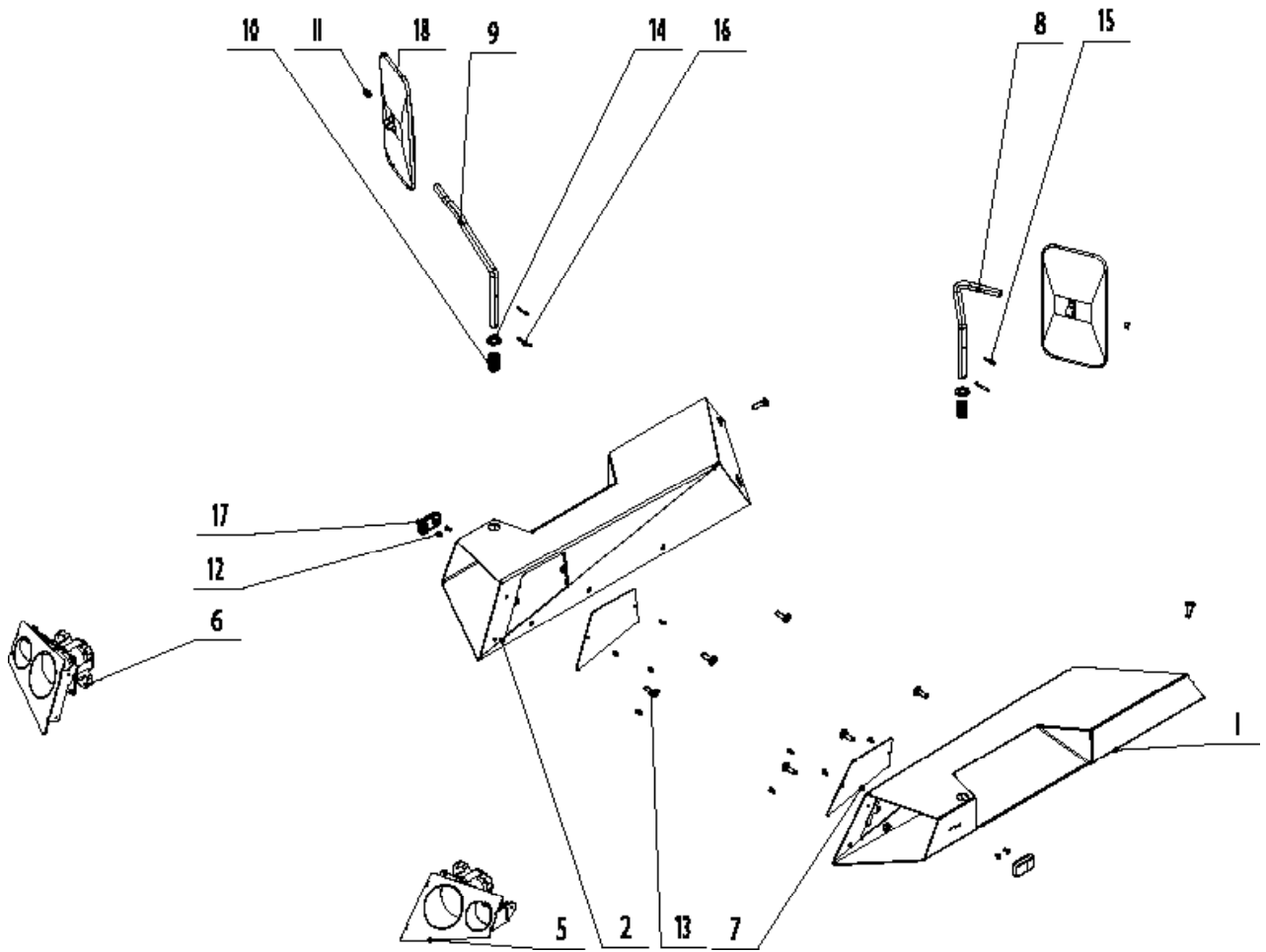
**LEFT DOOR 2 ASSEMBLY****30.6**

| <b>1</b> | <b>2</b> | <b>3</b> | <b>4</b> | <b>Name</b>         |
|----------|----------|----------|----------|---------------------|
| 1        | 20306001 | 1        |          | WELDED LEFT DOOR    |
| 2        | 20302002 | 1        |          | LOWER JOINT         |
| 3        | 20302003 | 1        |          | UPPER JOINT         |
| 4        | 00020012 | 4        |          | WASHER 6.4          |
| 5        | 09101029 | 2        |          | NUT M6              |
| 6        | 20302006 | 1        |          | PIN WITH SPRING M10 |
| 8        | 20302008 | 1        |          | LOCK                |
| 9        | 20302009 | 1        |          | HANDLE              |



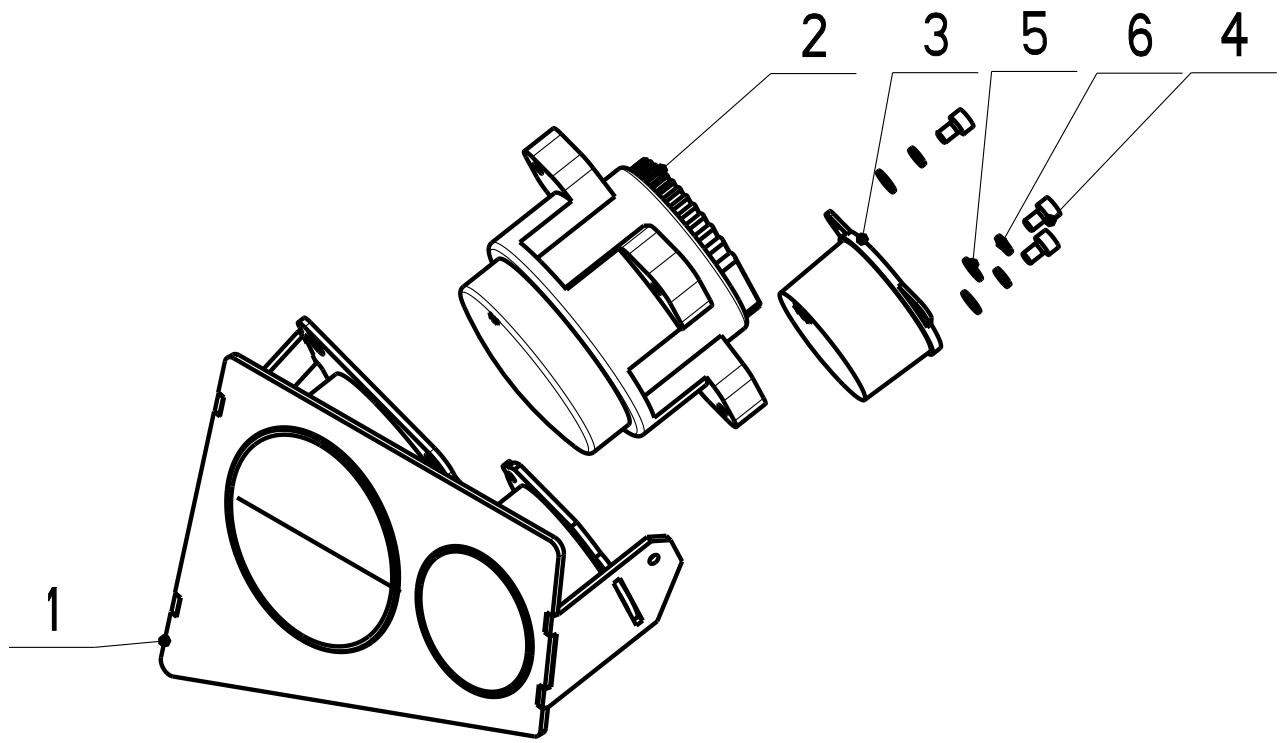
**RIGHT DOOR ASSEMBLY****30.7**

| <b>1</b> | <b>2</b> | <b>3</b> | <b>4</b> | <b>Name</b>         |
|----------|----------|----------|----------|---------------------|
| 1        | 20307001 | 1        |          | WELDED RIGHT DOOR   |
| 2        | 20302002 | 1        |          | LOWER JOINT         |
| 3        | 20307003 | 1        |          | UPPER JOINT         |
| 4        | 00020012 | 4        |          | WASHER 6.4          |
| 5        | 09101029 | 2        |          | NUT M6              |
| 6        | 20302006 | 1        |          | PIN WITH SPRING M10 |
| 8        | 20302008 | 1        |          | LOCK                |
| 9        | 20302009 | 1        |          | HANDLE              |



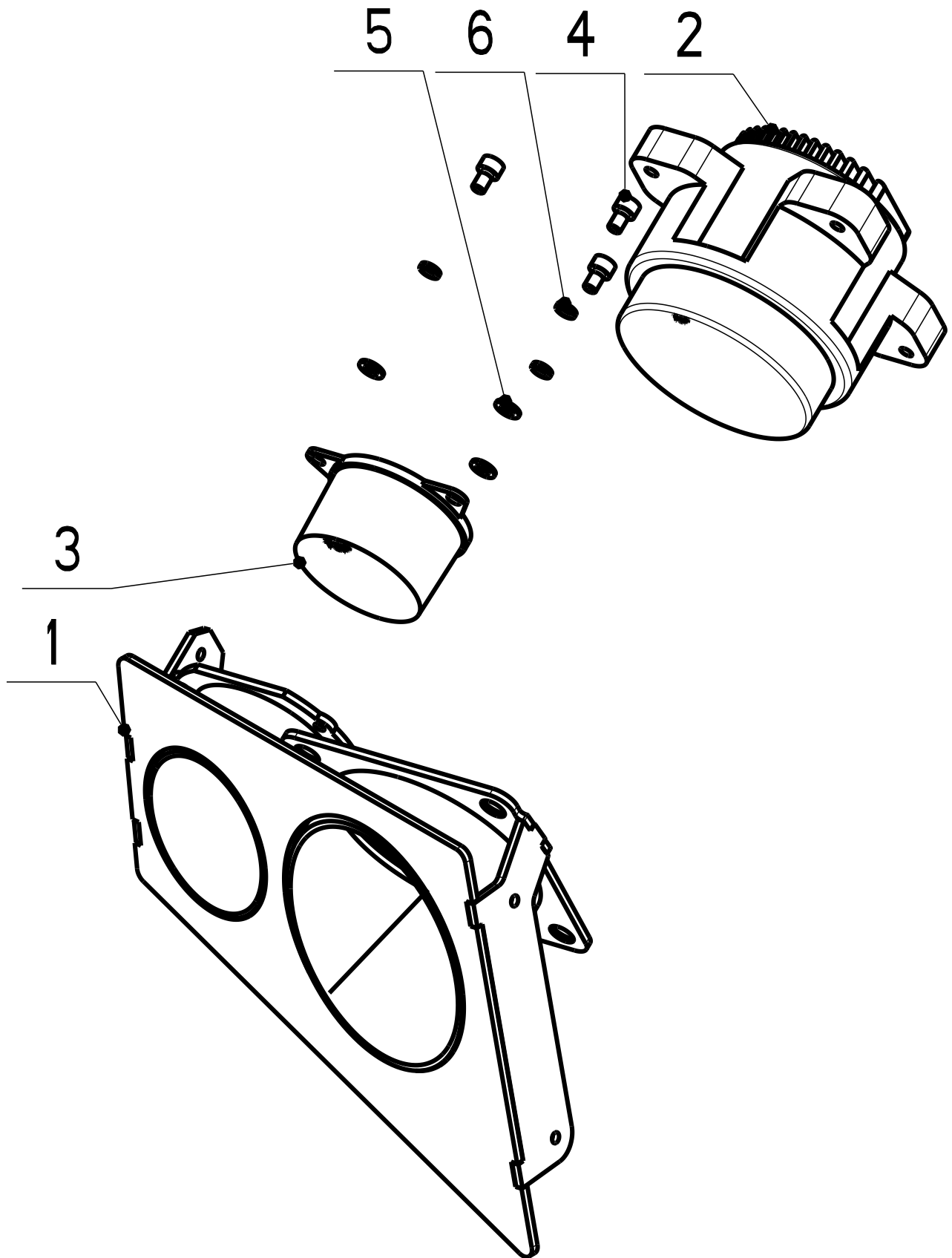


| <b>1</b> | <b>2</b> | <b>3</b> | <b>4</b> | <b>Name</b>                   |
|----------|----------|----------|----------|-------------------------------|
| 1        | 20311001 | 1        |          | LEFT MUDGUARD                 |
| 2        | 20311002 | 1        |          | RIGHT MUDGUARD                |
| 3        | 20311003 | 2        |          | MUDGUARD BUNDLE               |
| 4        | 20311004 | 2        |          | FRONT LIGHTING BUNDLE         |
| 5        | 20311005 | 1        |          | LEFT LIGHTS BRACKET ASSEMBLY  |
| 6        | 20311006 | 1        |          | RIGHT LIGHTS BRACKET ASSEMBLY |
| 7        | 20311007 | 2        |          | CAP                           |
| 8        | 20311008 | 1        |          | BRACKET                       |
| 9        | 20311009 | 1        |          | BRACKET                       |
| 10       | 00111019 | 2        |          | SPRING                        |
| 11       | 07111059 | 2        |          | CAP                           |
| 12       | 06331008 | 12       |          | SCREW M5x10                   |
| 13       | 20311013 | 8        |          | SCREW M10x30                  |
| 14       | 20311014 | 2        |          | WASHER 17                     |
| 15       | 07110015 | 2        |          | COTTER PIN 4x25               |
| 16       | 20311016 | 2        |          | PIN 5x40                      |
| 17       | 20311017 | 2        |          | DIRECTIONAL LIGHT             |
| 18       | 07111058 | 2        |          | BACK MIRROR                   |

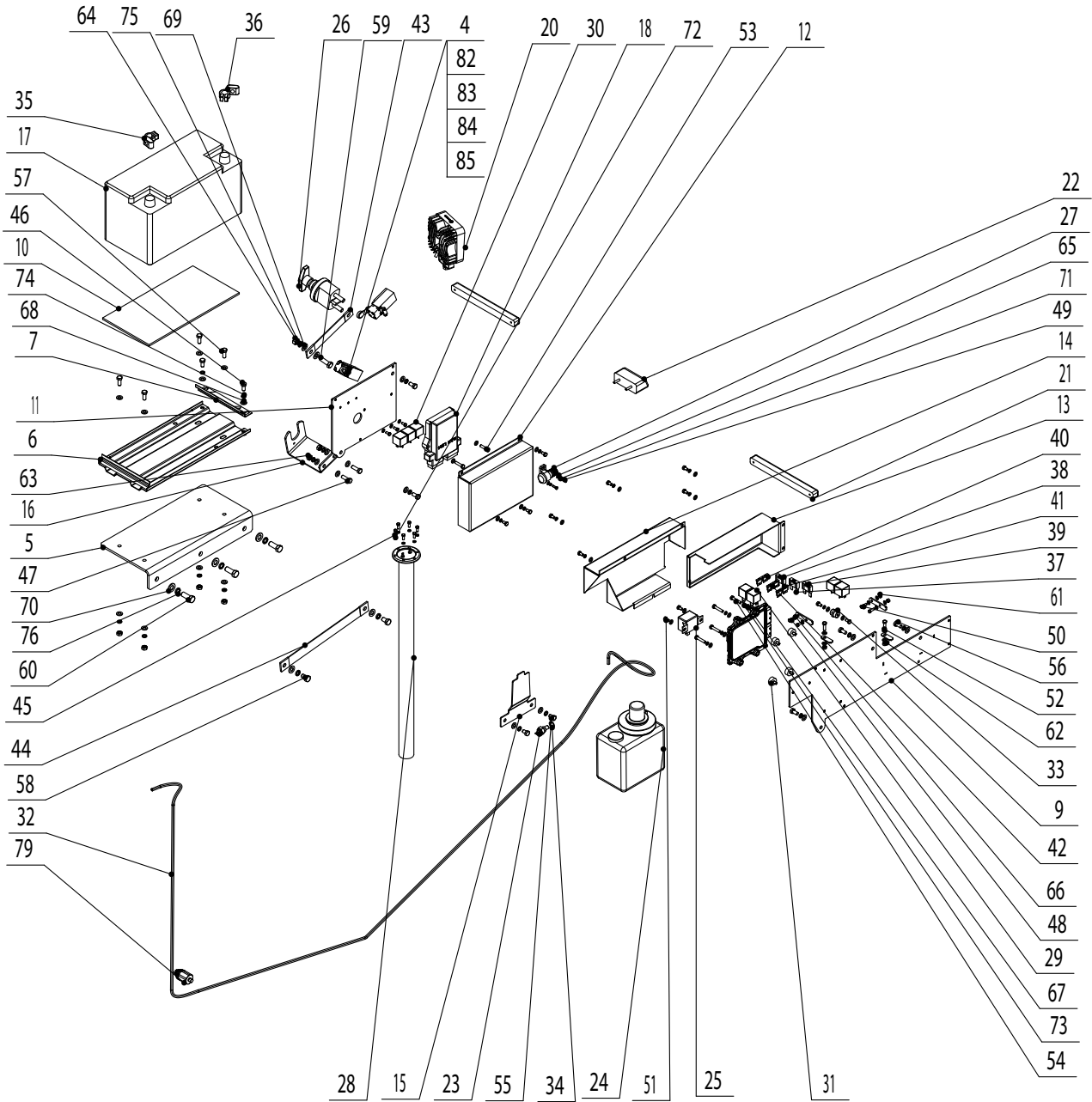


**LEFT LIGHTS HOLDER ASSEMBLY****31.2**

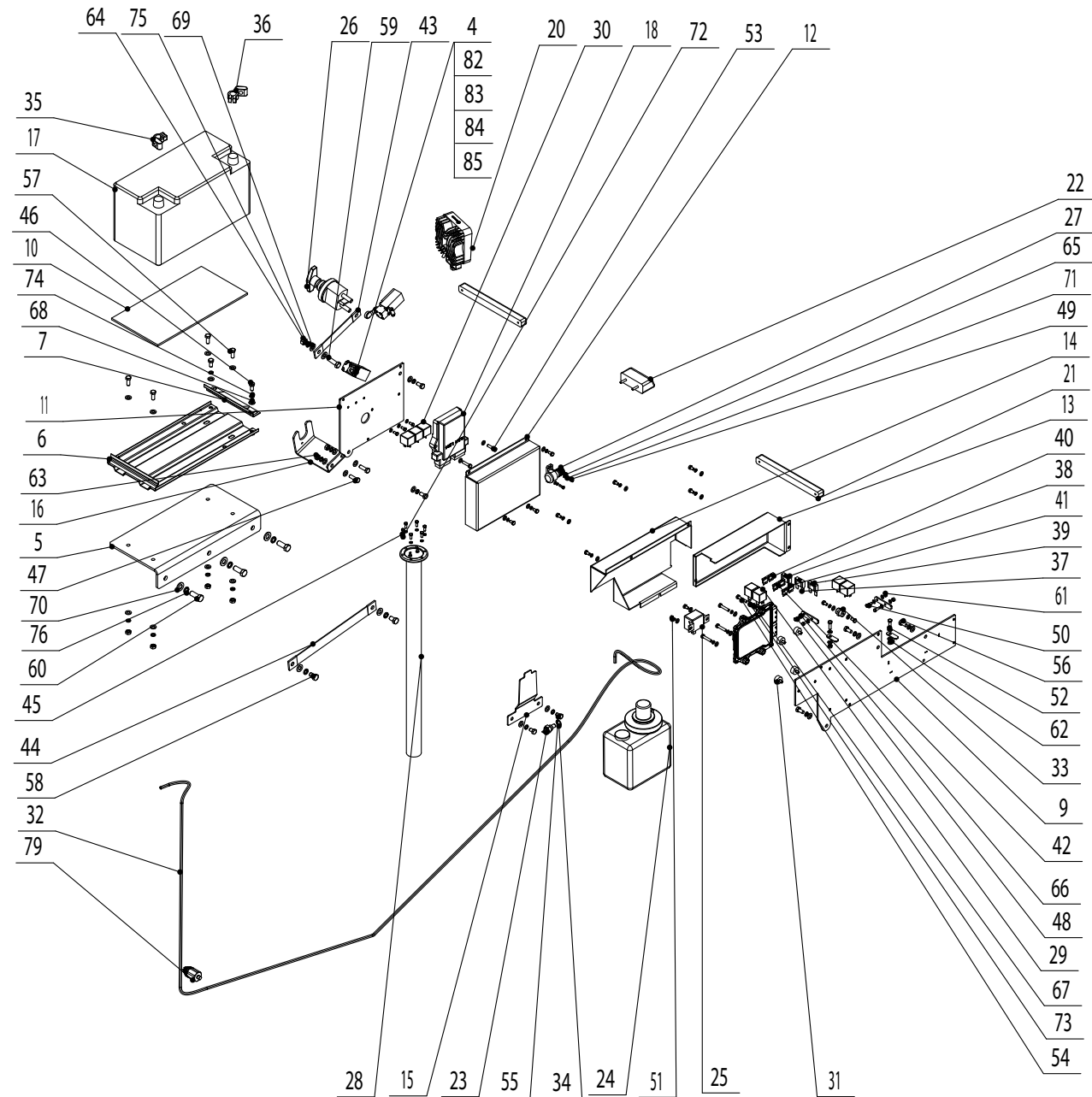
| <b>1</b> | <b>2</b> | <b>3</b> | <b>4</b> | <b>Name</b>             |
|----------|----------|----------|----------|-------------------------|
| 1        | 20312001 | 1        |          | LEFT LIGHTS HOLDER      |
| 2        | 20312002 | 1        |          | FRONT HEADLIGHT         |
| 3        | 20312003 | 1        |          | FRONT DIRECTIONAL LIGHT |
| 4        | 11064035 | 3        |          | SCREW M5x8              |
| 5        | 00050022 | 3        |          | WASHER 5.3              |
| 6        | 00081064 | 3        |          | WASHER 5.1              |



| <b>1</b> | <b>2</b> | <b>3</b> | <b>4</b> | <b>Name</b>             |
|----------|----------|----------|----------|-------------------------|
| 1        | 20313001 | 1        |          | RIGHT LIGHTS HOLDER     |
| 2        | 20312002 | 1        |          | FRONT HEADLIGHT         |
| 3        | 20312003 | 1        |          | FRONT DIRECTIONAL LIGHT |
| 4        | 11064035 | 3        |          | SCREW M5x8              |
| 5        | 00050022 | 3        |          | WASHER 5.3              |
| 6        | 00081064 | 3        |          | WASHER 5.1              |

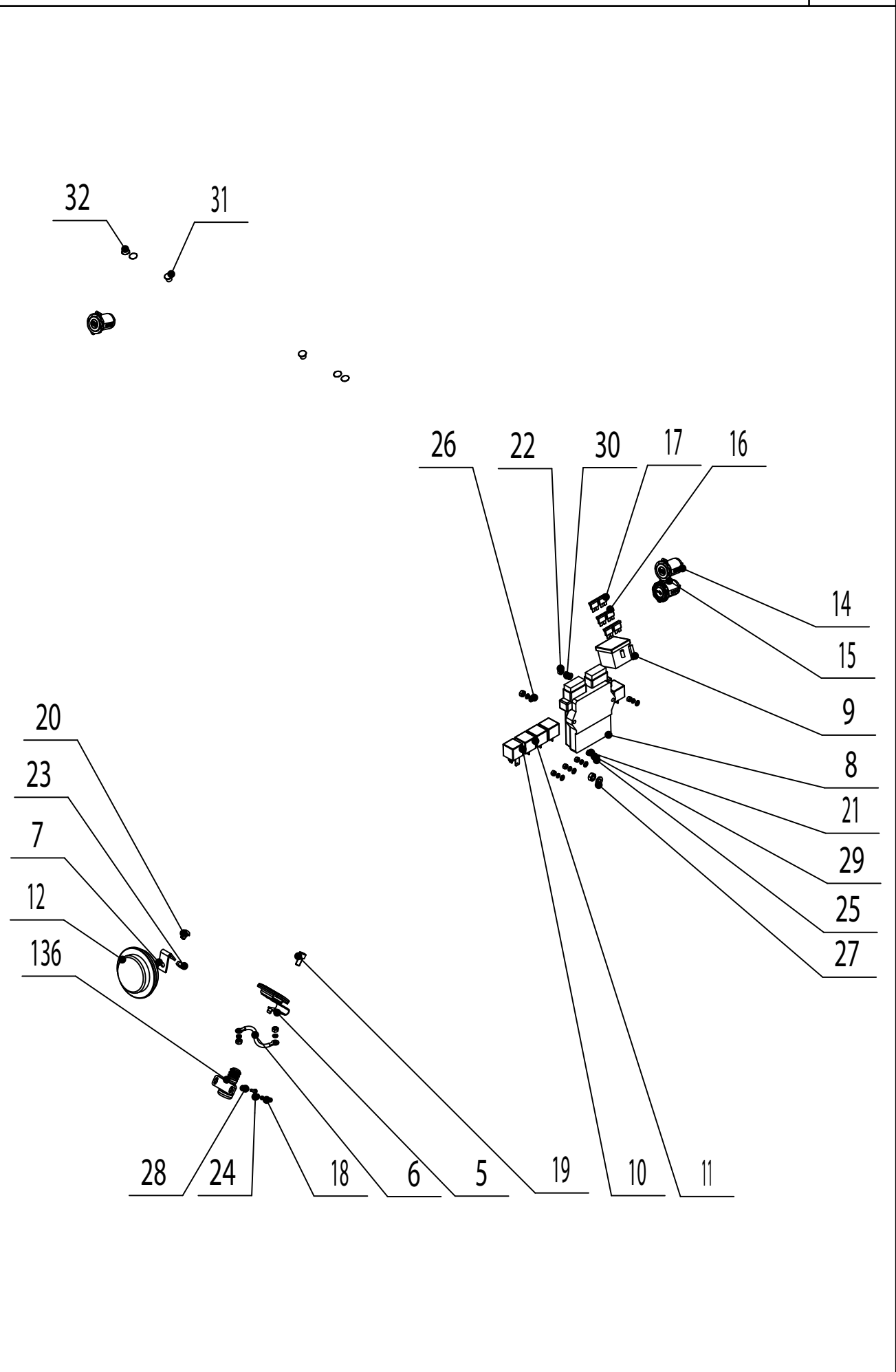


| 1  | 2        | 3     | 4 | Name                        |
|----|----------|-------|---|-----------------------------|
| 1  | 21331001 | 1     |   | ENGINE BUNDLE               |
| 2  | 21331002 | 1     |   | FRAME BUNDLE                |
| 3  | 21331003 | 1     |   | FRAME FREE CONDUCTORS       |
| 4  | 21331004 | 1     |   | SHOVEL LEVELING             |
| 5  | 20331005 | 1     |   | ACCUMULATOR BRACKET         |
| 6  | 07101016 | 1     |   | ACCUMULATOR CARRIER         |
| 7  | 08101045 | 1     |   | SAFETY                      |
| 8  | 21331008 | 1     |   | ELECTRICAL DIAGRAM          |
| 9  | 20331009 | 1     |   | LEFT BRACKET                |
| 10 | 07101033 | 1     |   | RUBBER UNDER ACCUMULATOR    |
| 11 | 20331011 | 1     |   | RIGHT BRACKET               |
| 12 | 20331012 | 1     |   | RIGHT COVER                 |
| 13 | 20331013 | 1     |   | RELAY COVER                 |
| 14 | 20331014 | 1     |   | ENGINE CONTROL UNIT COVER   |
| 15 | 20331015 | 1     |   | SUB RESERVOIR BRACKET       |
| 16 | 20331016 | 1     |   | DISCONNECTOR BRACKET        |
| 17 | 12201172 | 1     |   | ACCUMULATOR                 |
| 18 | 20331018 | 1     |   | ENGINE CONTROL UNIT         |
| 20 | 20331020 | 1     |   | TAIL GROUP LIGHT WORK LIGHT |
| 21 | 20331021 | 2     |   | TAIL GROUP LIGHT LIGHT      |
| 22 | 20331022 | 1     |   | LICENSE PLATE LIGHTING      |
| 23 | 06134004 | 1     |   | TEMPERATURE SENSOR          |
| 24 | 20331024 | 1     |   | SUB RESERVOIR               |
| 25 | 14201107 | 1     |   | RELAY                       |
| 26 | 13101030 | 1     |   | DISCONNECTOR OF ACCUMULATOR |
| 27 | 12202014 | 1     |   | SWITCH                      |
| 28 | 20331028 | 1     |   | FUEL LEVEL SENSING          |
| 29 | 20331029 | 2     |   | RELAY                       |
| 30 | 20331030 | 5     |   | RELAY                       |
| 31 | 08201114 | 4     |   | SILENT BLOCK                |
| 32 | 07102040 | 0.115 |   | TUBE                        |
| 33 | 14201137 | 1     |   | INSULATOR                   |
| 34 | 00083008 | 1     |   | COPPER RING                 |
| 35 | 14101066 | 1     |   | STORAGE BATTERY TERMINAL -  |
| 36 | 14101065 | 1     |   | STORAGE BATTERY TERMINAL +  |
| 37 | 12201122 | 1     |   | FUSE 30A GREEN              |
| 38 | 12201165 | 1     |   | FUSE 40A ORANGE             |
| 39 | 12201164 | 1     |   | FUSE 60A BLUE               |
| 40 | 12201119 | 2     |   | FUSE 5A                     |
| 41 | 14201118 | 2     |   | FUSE 10A                    |
| 42 | 12201120 | 2     |   | FUSE 25A                    |
| 43 | 12201116 | 1     |   | GROUNDING BELT              |
| 44 | 12201147 | 1     |   | GROUNDING BELT              |
| 45 | 20331045 | 6     |   | SCREW M5x12                 |
| 47 | 20331047 | 2     |   | SCREW M8x25                 |
| 48 | 01050014 | 5     |   | SCREW M5x10                 |
| 49 | 00107010 | 2     |   | SCREW M4x12                 |
| 50 | 07152028 | 2     |   | SCREW M5x16                 |
| 51 | 01121021 | 10    |   | SCREW M6x10                 |
| 52 | 08101022 | 2     |   | SCREW M6x20                 |
| 53 | 09068032 | 2     |   | SCREW M6x25                 |
| 54 | 12066033 | 4     |   | SCREW M6x30                 |
| 55 | 00091019 | 2     |   | SCREW M8x12                 |
| 56 | 01092018 | 8     |   | SCREW M8x16                 |
| 57 | 00031046 | 4     |   | SCREW M8x20                 |

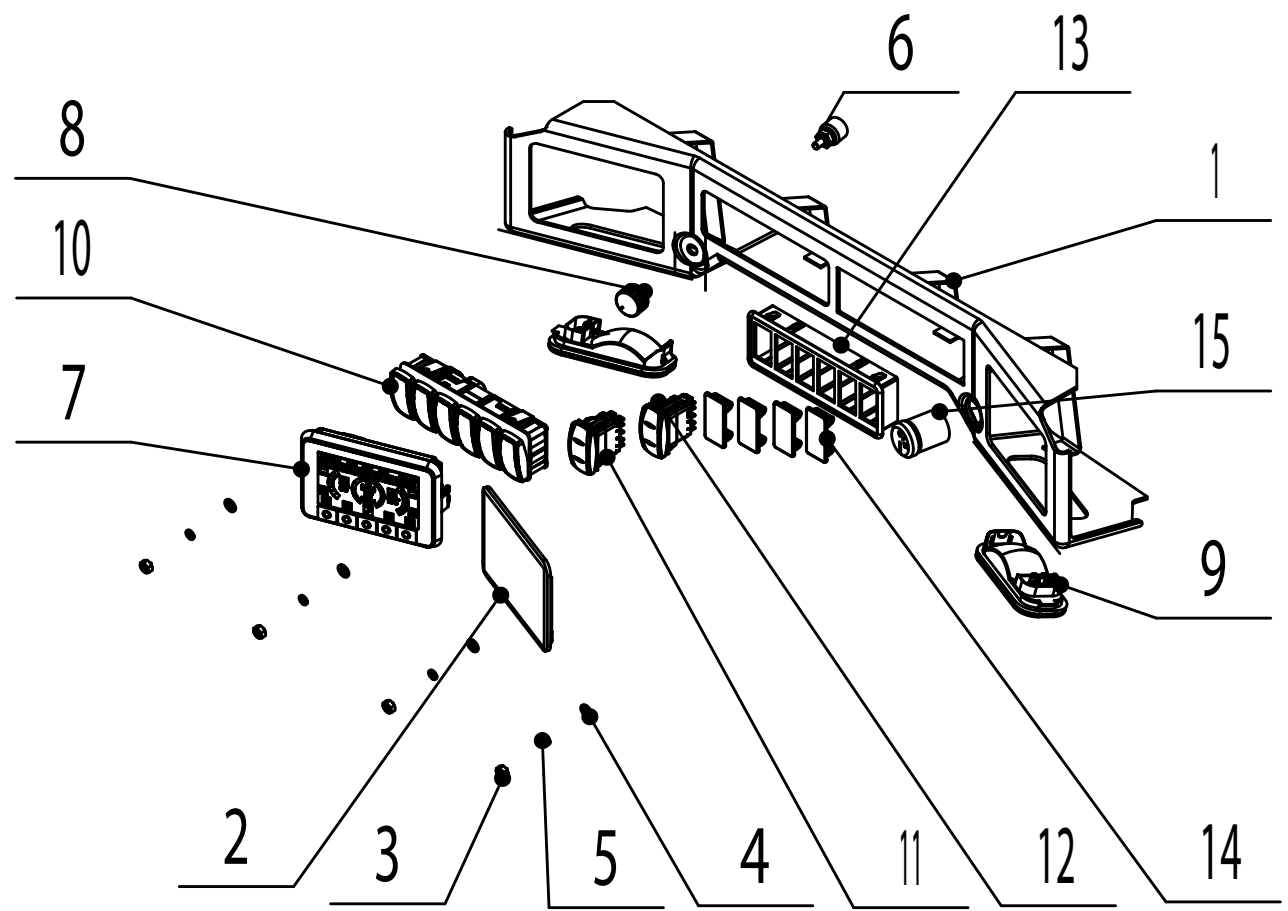




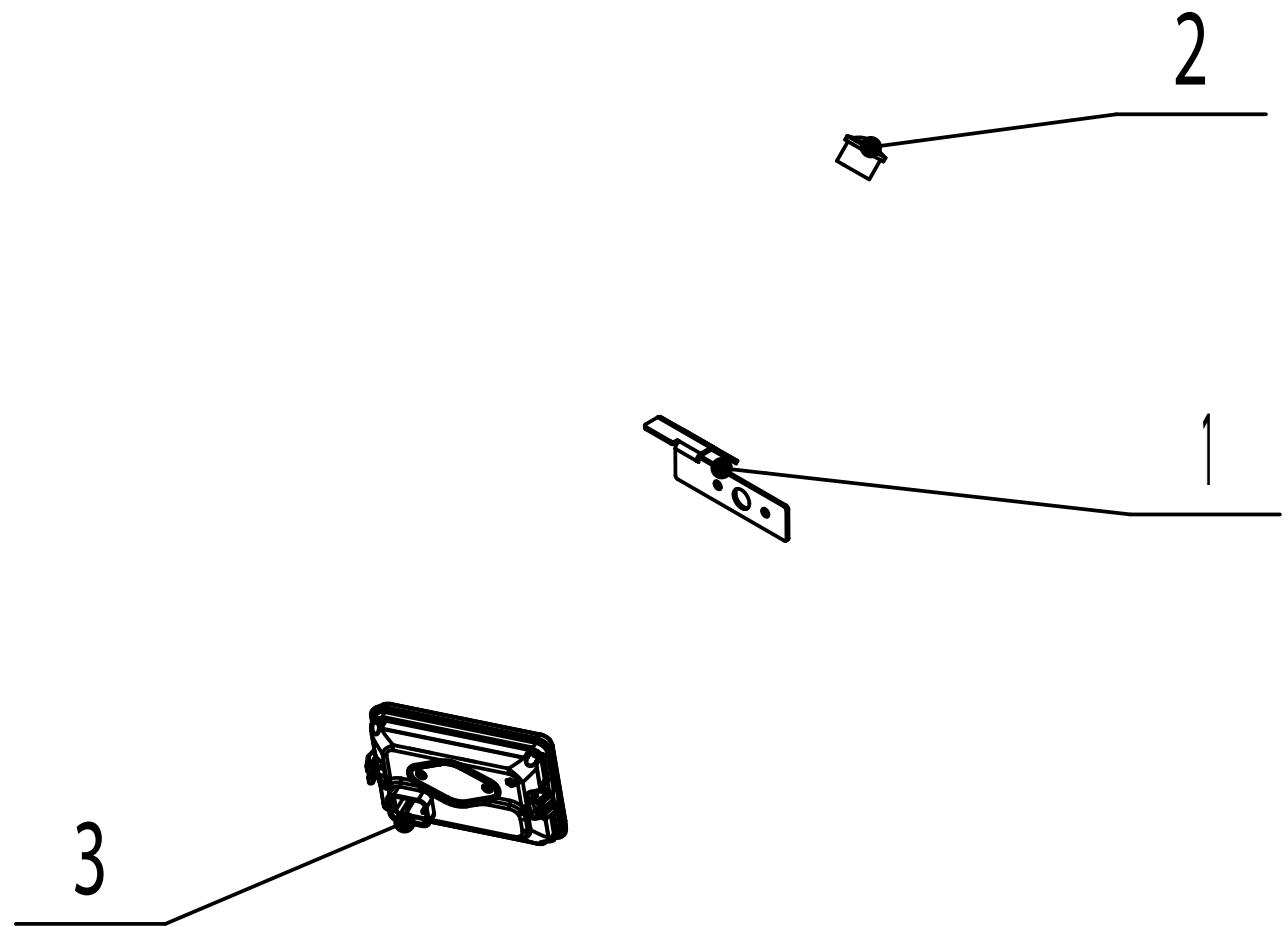
| 1  | 2        | 3   | 4 | Name                 |
|----|----------|-----|---|----------------------|
| 58 | 09121035 | 2   |   | SCREW M10x16         |
| 59 | 00173002 | 1   |   | SCREW M10x30         |
| 60 | 01071026 | 3   |   | SCREW M12x30         |
| 61 | 07102016 | 2   |   | NUT M5               |
| 62 | 01083033 | 2   |   | NUT M6               |
| 63 | 01061006 | 7   |   | NUT M8               |
| 64 | 00173005 | 1   |   | NUT M10              |
| 65 | 00102020 | 2   |   | WASHER 4.3           |
| 66 | 00050022 | 9   |   | WASHER 5.3           |
| 67 | 00020012 | 22  |   | WASHER 6.4           |
| 68 | 00020018 | 22  |   | WASHER 8             |
| 69 | 00083021 | 4   |   | WASHER 10.5          |
| 70 | 00031054 | 3   |   | WASHER 13            |
| 71 | 00111035 | 2   |   | WASHER 4.1           |
| 72 | 00081064 | 6   |   | WASHER 5.1           |
| 73 | 00031055 | 14  |   | WASHER 6             |
| 74 | 00020019 | 16  |   | WASHER 8             |
| 75 | 00020029 | 3   |   | WASHER 10            |
| 76 | 00031052 | 3   |   | WASHER 12            |
| 77 | 13101048 | 0.5 |   | PROTECTION           |
| 78 | 14102052 | 32  |   | BINDER CABLE 200x4.8 |
| 79 | 20331004 | 1   |   | SWITCH               |
| 80 | 06261026 | 2   |   | SCREW M6x12          |
| 81 | 21331081 | 2   |   | DIODE                |
| 82 | 21331082 | 1   |   | LEVELING BUNDLE      |
| 83 | 21331083 | 2   |   | WASHER               |
| 84 | 21331084 | 2   |   | SWITCH               |
| 85 | 21331085 | 4   |   | SCREW M4x40          |



| 1  | 2        | 3 | 4 | Name                           |
|----|----------|---|---|--------------------------------|
| 1  | 20332001 | 1 |   | CABIN BUNDLE                   |
| 2  | 20332002 | 1 |   | CABIN FREE CONDUCTORS          |
| 3  | 12202053 | 1 |   | LEFT REMOTE CONTROLLER BUNDLE  |
| 4  | 12202055 | 1 |   | RIGHT REMOTE CONTROLLER BUNDLE |
| 5  | 12202018 | 1 |   | RUBBER CAP                     |
| 6  | 00101026 | 1 |   | CONDUCTOR                      |
| 7  | 20332007 | 1 |   | BRACKET                        |
| 8  | 20332008 | 1 |   | LOADER CONTROL UNIT            |
| 9  | 07102007 | 1 |   | FUSE BOX                       |
| 10 | 20331029 | 1 |   | RELAY                          |
| 11 | 20331030 | 4 |   | RELAY                          |
| 12 | 00101021 | 1 |   | HORN                           |
| 13 | 12202014 | 1 |   | SWITCH                         |
| 14 | 20332014 | 2 |   | FEMALE CONNECTOR 12V           |
| 15 | 20332015 | 1 |   | USB ADAPTER                    |
| 16 | 20332016 | 2 |   | FUSE 15A                       |
| 17 | 12201120 | 4 |   | FUSE 25A                       |
| 18 | 00107010 | 2 |   | SCREW M4x12                    |
| 19 | 06334012 | 1 |   | SCREW M8x16                    |
| 20 | 20332020 | 1 |   | SCREW M8x12                    |
| 21 | 07102016 | 5 |   | NUT M5                         |
| 22 | 01083033 | 4 |   | NUT M6                         |
| 23 | 01061006 | 2 |   | NUT M8                         |
| 24 | 00102020 | 2 |   | WASHER 4.3                     |
| 25 | 00050022 | 5 |   | WASHER 5.3                     |
| 26 | 00020012 | 2 |   | WASHER 6.4                     |
| 27 | 00020018 | 1 |   | WASHER 8.4                     |
| 28 | 00111035 | 2 |   | WASHER 4.1                     |
| 29 | 00081064 | 5 |   | WASHER 5.1                     |
| 30 | 00031055 | 4 |   | WASHER 6                       |
| 31 | 20332031 | 2 |   | PLUG                           |
| 32 | 20332032 | 4 |   | PLUG                           |
| 33 | 12201150 | 1 |   | SHORT-TIME SOURCE              |
| 34 | 20332034 | 1 |   | CONNECTOR                      |

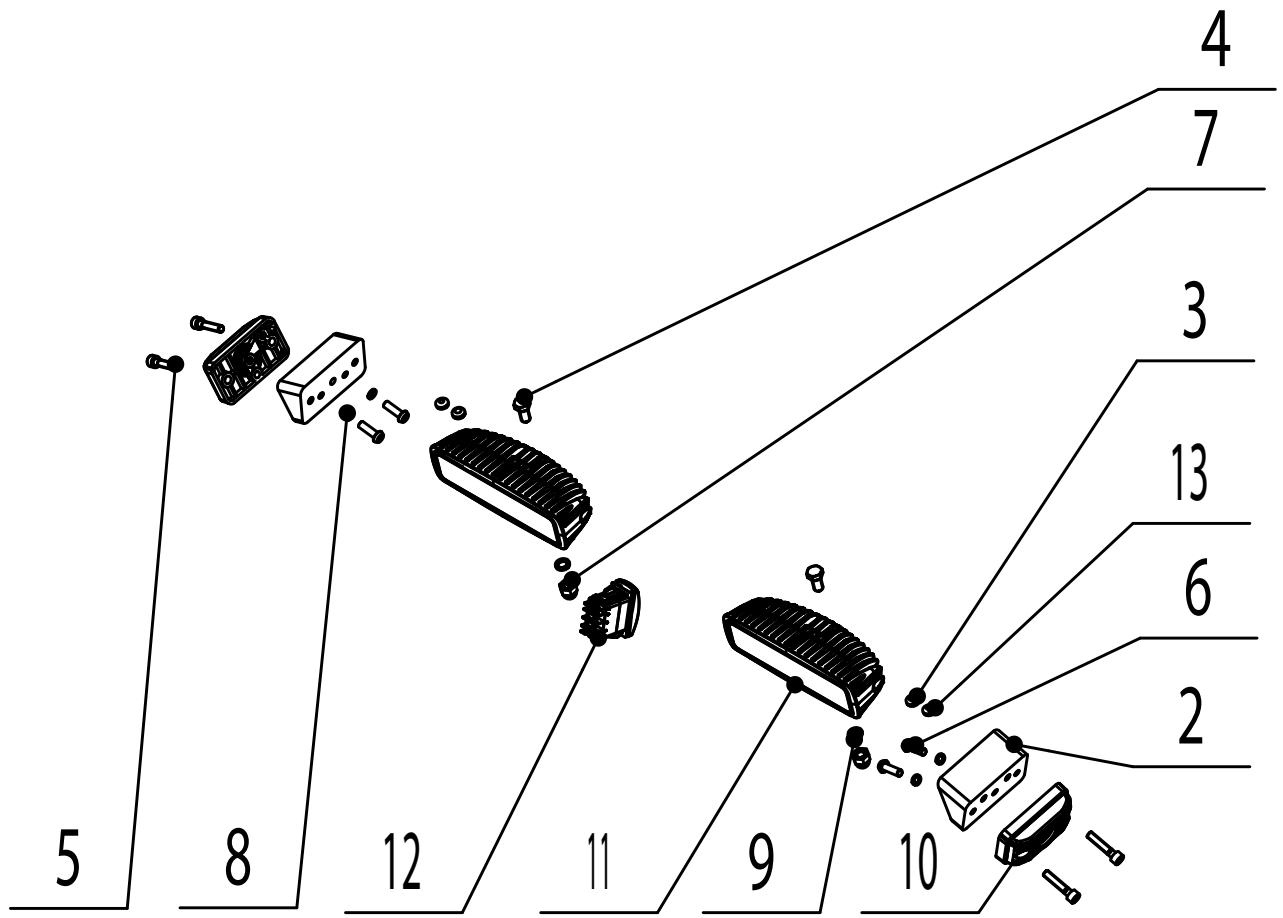


| 1  | 2        | 3 | 4 | Name                                  |
|----|----------|---|---|---------------------------------------|
| 1  | 20333001 | 1 |   | FRONT PANEL                           |
| 2  | 20333002 | 1 |   | CAMERA DISPLAY COVER                  |
| 3  | 01083033 | 4 |   | NUT M6                                |
| 4  | 00020012 | 4 |   | WASHER 6.4                            |
| 5  | 00031055 | 4 |   | WASHER 6                              |
| 6  | 09103031 | 1 |   | POTENTIOMETER                         |
| 7  | 20333007 | 1 |   | DISPLAY                               |
| 8  | 20333008 | 1 |   | BUTTON                                |
| 9  | 20333009 | 2 |   | INTERIOR LIGHT                        |
| 10 | 20333010 | 1 |   | CAN MODULE                            |
| 11 | 20333011 | 1 |   | BEACON SWITCH                         |
| 12 | 20333012 | 1 |   | QUICK COUPLING PRESSURE RELIEF SWITCH |
| 13 | 20333013 | 1 |   | WELT                                  |
| 14 | 20333014 | 4 |   | COVER                                 |
| 15 | 00103009 | 1 |   | SWITCH BOX                            |



**REVERSING CAMERA****33.4**

| 1 | 2        | 3 | 4 | Name           |
|---|----------|---|---|----------------|
| 1 | 20334001 | 1 |   | BRACKET        |
| 2 | 20334002 | 1 |   | PARKING CAMERA |
| 3 | 20334003 | 1 |   | DISPLAY        |
| 4 | 20332034 | 1 |   | CONNECTOR      |

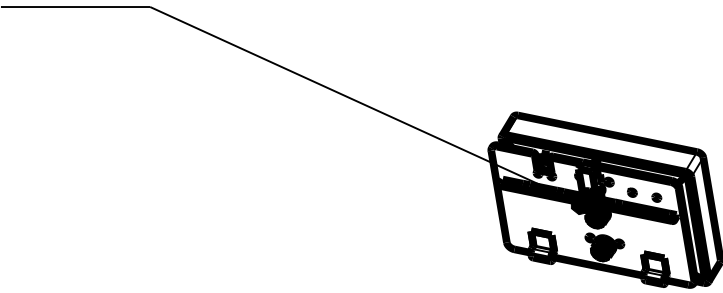




**ADDITIONAL WORKING LIGHTS****33.5**

| <b>1</b> | <b>2</b> | <b>3</b> | <b>4</b> | <b>Name</b>           |
|----------|----------|----------|----------|-----------------------|
| 1        | 20335001 | 1        |          | WORKING LIGHTS BUNDLE |
| 2        | 20335002 | 2        |          | BRACKET               |
| 3        | 09083033 | 2        |          | SLEEVE 5.5x2          |
| 4        | 01092018 | 2        |          | SCREW M8x16           |
| 5        | 00104046 | 4        |          | SCREW M6x30           |
| 6        | 07082044 | 4        |          | SCREW M6x20           |
| 7        | 20335007 | 2        |          | NUT M8                |
| 8        | 00031055 | 4        |          | WASHER 6              |
| 9        | 00020019 | 2        |          | WASHER 8.2            |
| 10       | 20335010 | 2        |          | SIDE WORKING LIGHT    |
| 11       | 20335011 | 2        |          | FRONT WORKING LIGHT   |
| 12       | 20335012 | 1        |          | WORKING LIGHTS SWITCH |
| 13       | 20335013 | 2        |          | SLEEVE                |

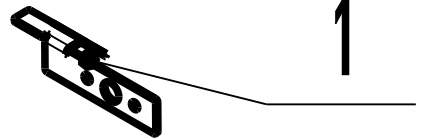
3



2

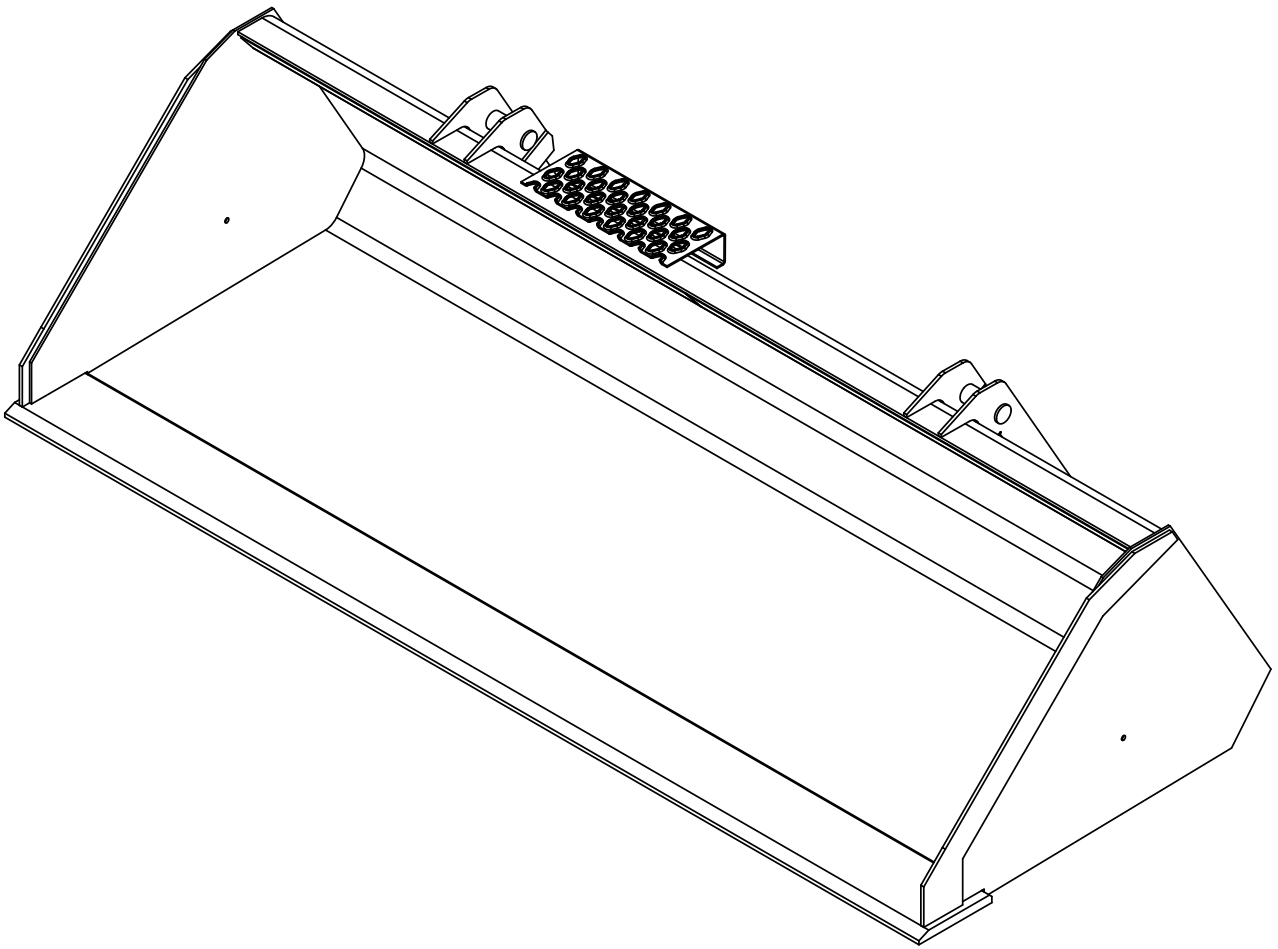


1



**REVERSING CAMERA WITH 5 INCH DISPLAY****33.6**

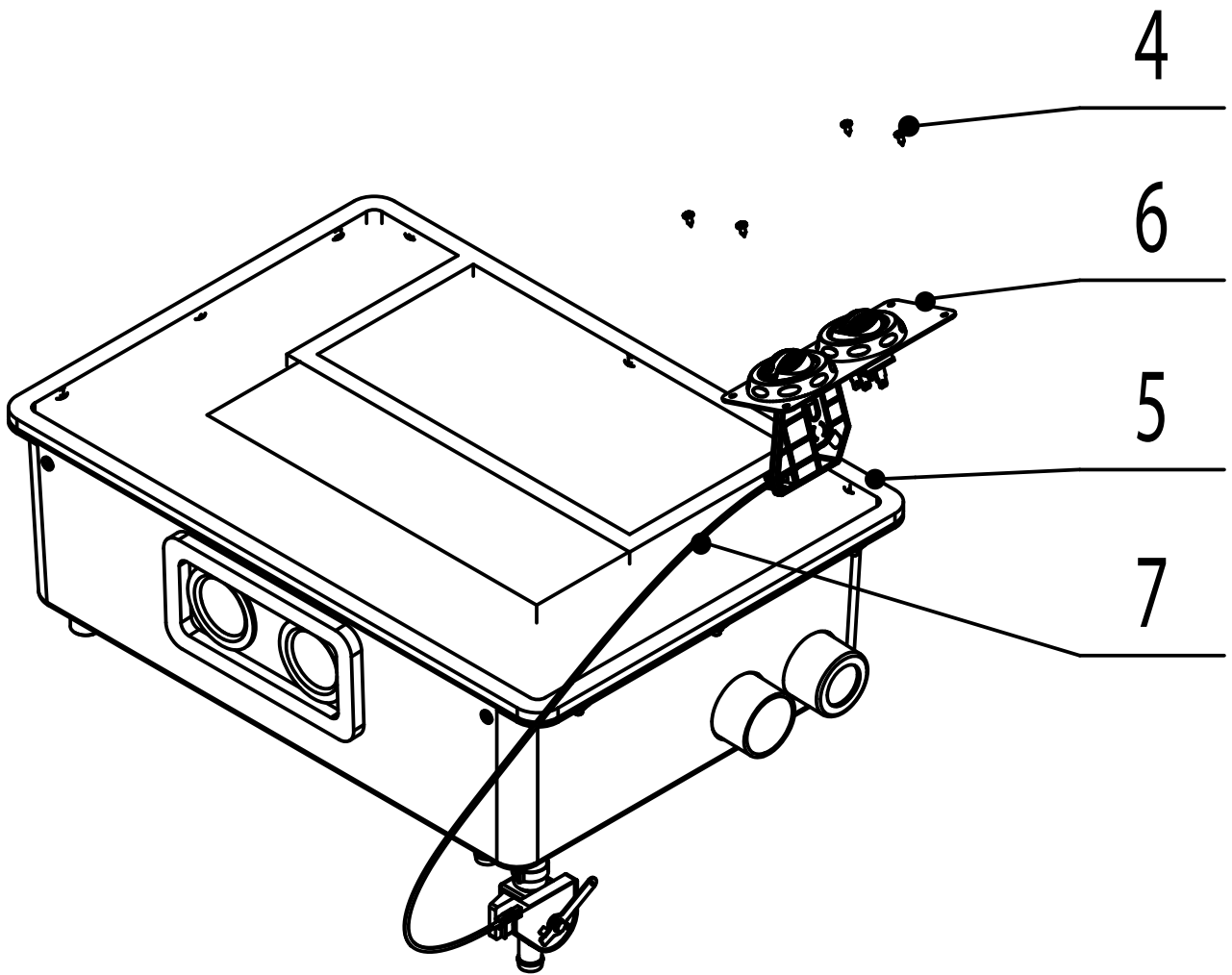
| <b>1</b> | <b>2</b> | <b>3</b> | <b>4</b> | <b>Name</b>    |
|----------|----------|----------|----------|----------------|
| 1        | 20334001 | 1        |          | BRACKET        |
| 2        | 20334002 | 1        |          | PARKING CAMERA |
| 3        | 20336003 | 1        |          | DISPLAY        |



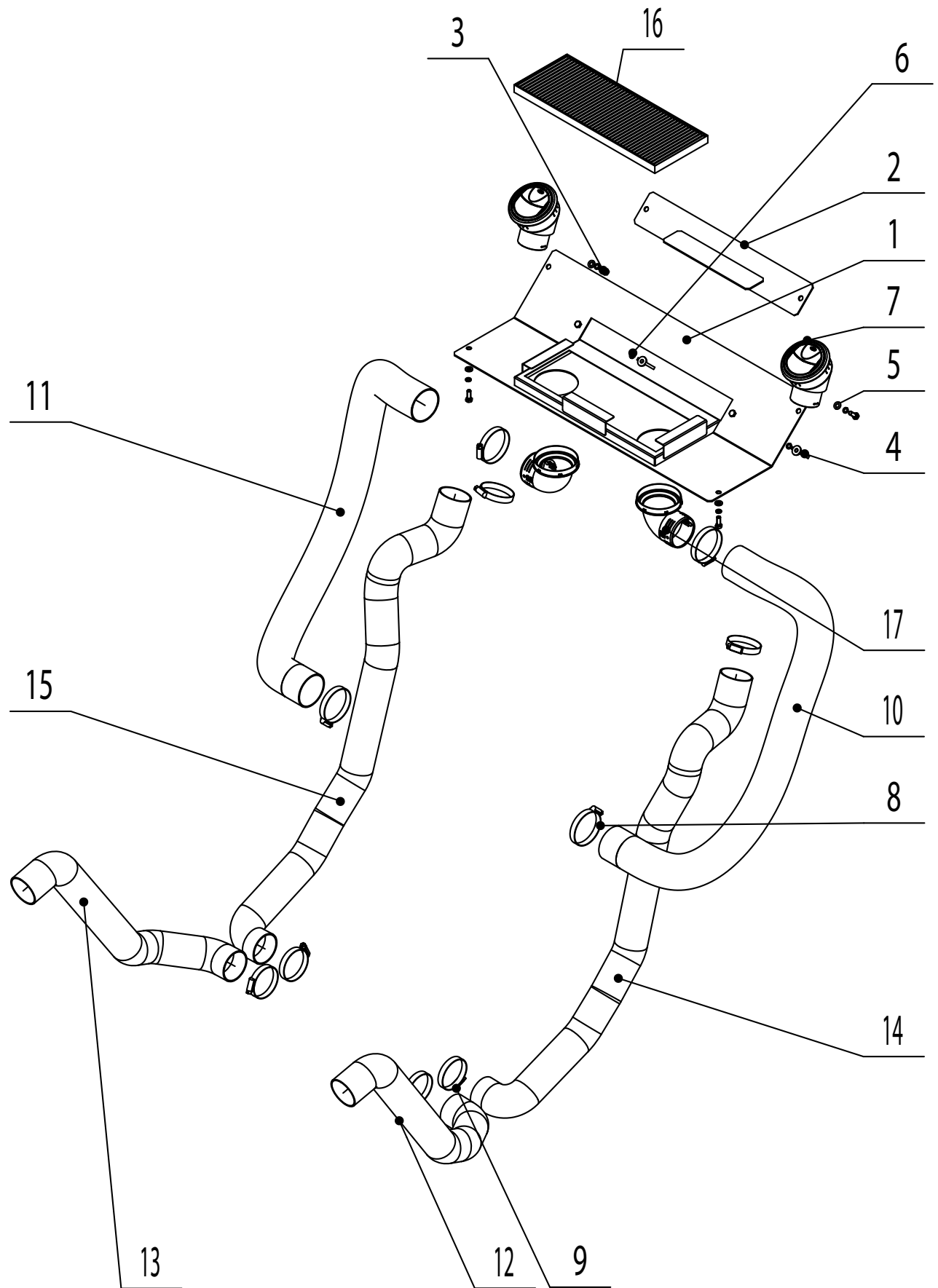
**BUCKET**

**35.1**

| 1 | 2        | 3 | 4 | Name   |
|---|----------|---|---|--------|
| 1 | 20351001 | 1 |   | BUCKET |

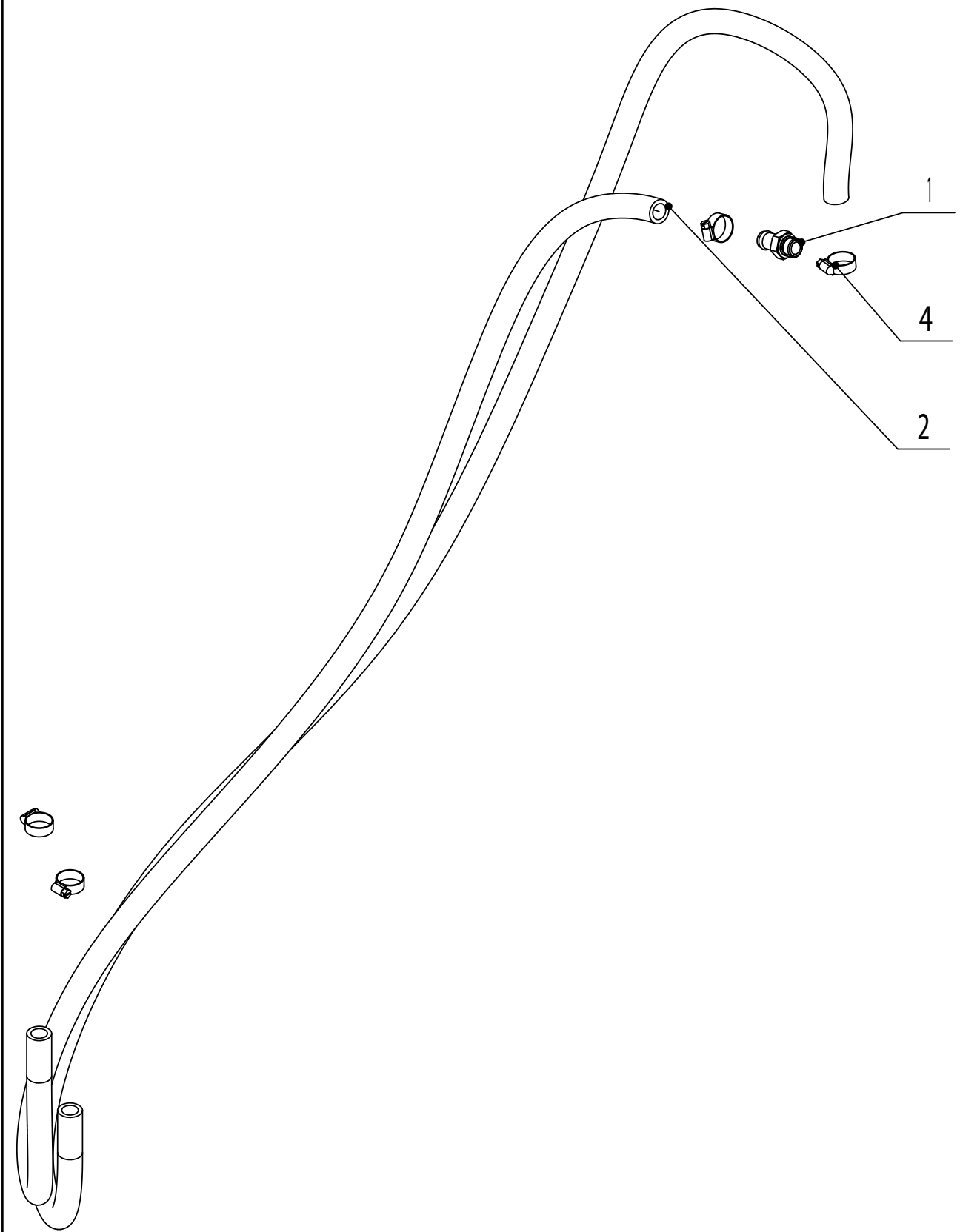


| <b>1</b> | <b>2</b> | <b>3</b> | <b>4</b> | <b>Name</b>      |
|----------|----------|----------|----------|------------------|
| 3        | 20371003 | 1        |          | HEATING BUNDLE   |
| 4        | 20371004 | 4        |          | SCREW ST 3.5x9.5 |
| 5        | 20371005 | 1        |          | HEATING          |
| 6        | 20371006 | 1        |          | HEATING CONTROL  |
| 7        | 20371007 | 1        |          | BOWDEN           |



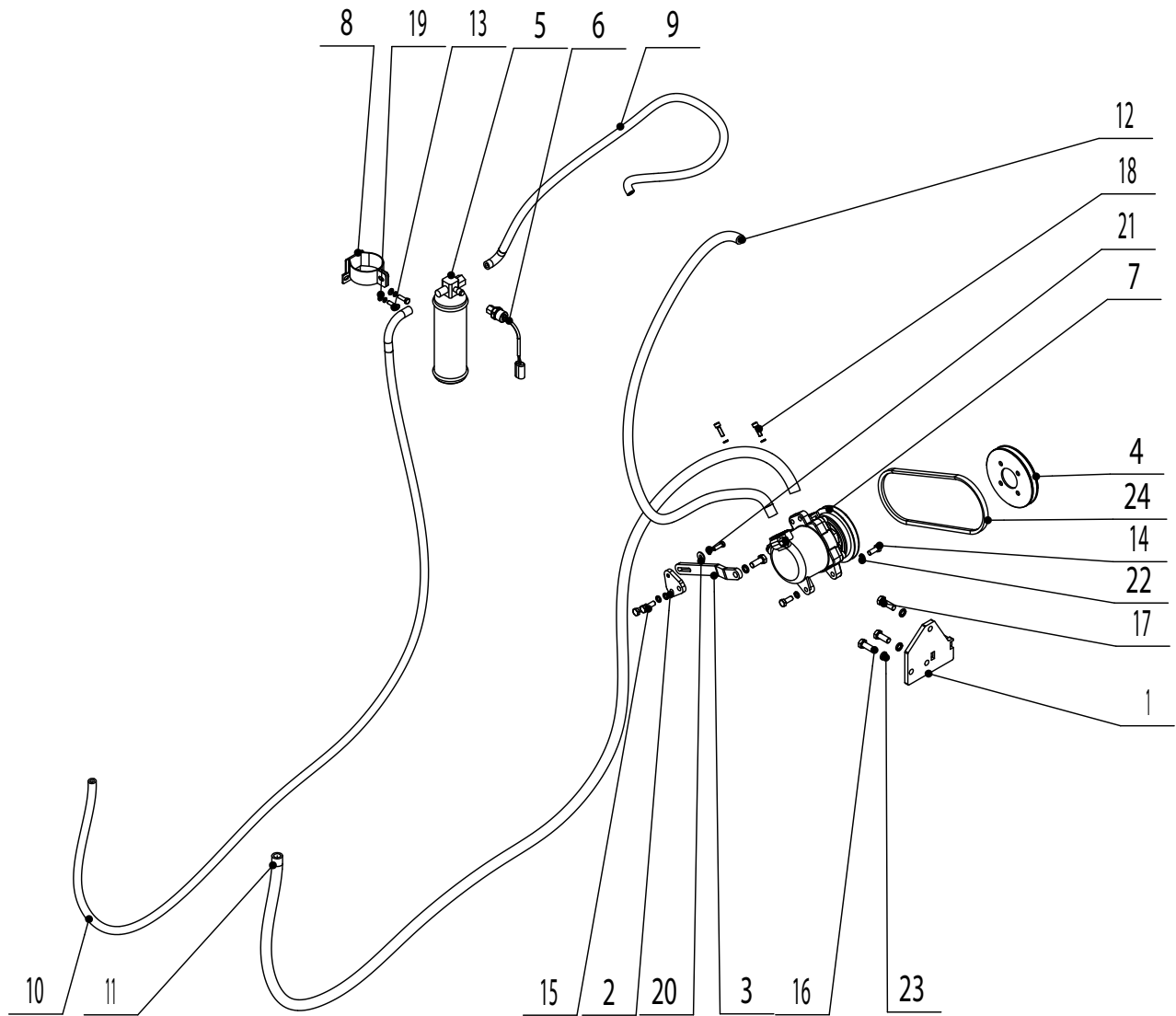


| 1  | 2        | 3 | 4 | Name                 |
|----|----------|---|---|----------------------|
| 1  | 20372001 | 1 |   | BRACKET              |
| 2  | 20372002 | 1 |   | COVER                |
| 3  | 02121018 | 4 |   | SCREW M6x16          |
| 4  | 00252035 | 2 |   | NUT M6               |
| 5  | 00020012 | 4 |   | WASHER 6.4           |
| 6  | 00031055 | 6 |   | WASHER 6             |
| 7  | 20372007 | 2 |   | DIFFUSER             |
| 8  | 00172021 | 4 |   | HOSE CLAMP           |
| 9  | 06042009 | 6 |   | HOSE CLAMP           |
| 10 | 20372010 | 1 |   | HOSE 56-800          |
| 11 | 20372010 | 1 |   | HOSE 56-800          |
| 12 | 20372012 | 1 |   | HOSE 51-600          |
| 13 | 20372012 | 1 |   | HOSE 51-600          |
| 14 | 20372012 | 1 |   | HOSE 51-910          |
| 15 | 20372012 | 1 |   | HOSE 51-910          |
| 16 | 20372016 | 1 |   | AIR FILTER           |
| 17 | 20372017 | 2 |   | L-SOCKET             |
| 18 | 14102052 | 8 |   | BINDER CABLE 200x4.8 |



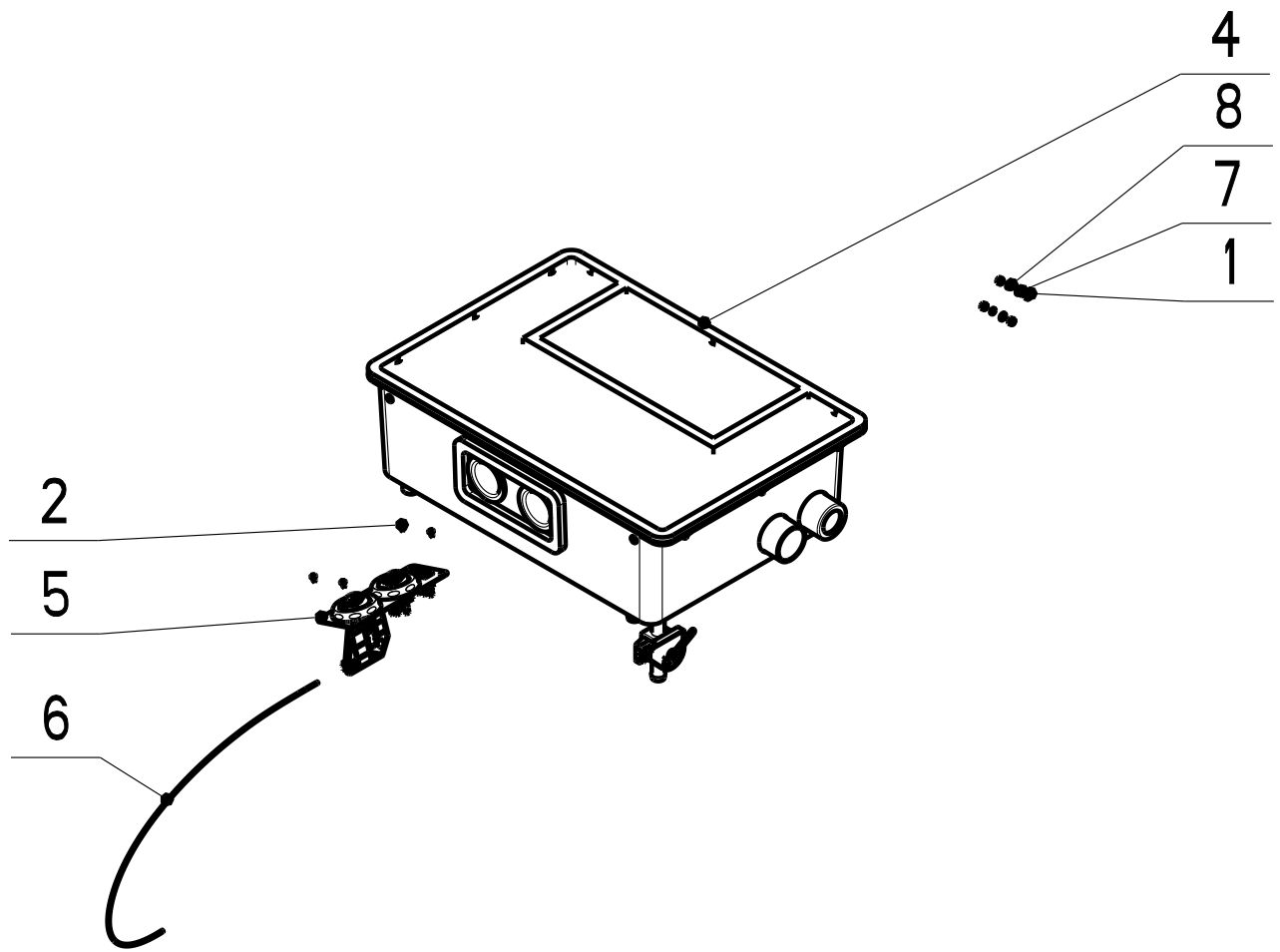
**HEATING INTAKE****37.3**

| <b>1</b> | <b>2</b> | <b>3</b> | <b>4</b> | <b>Name</b> |
|----------|----------|----------|----------|-------------|
| 1        | 12134074 | 1        |          | SOCKET      |
| 2        | 07130019 | 6        |          | HOSE        |
| 4        | 07130020 | 4        |          | HOSE CLAMP  |



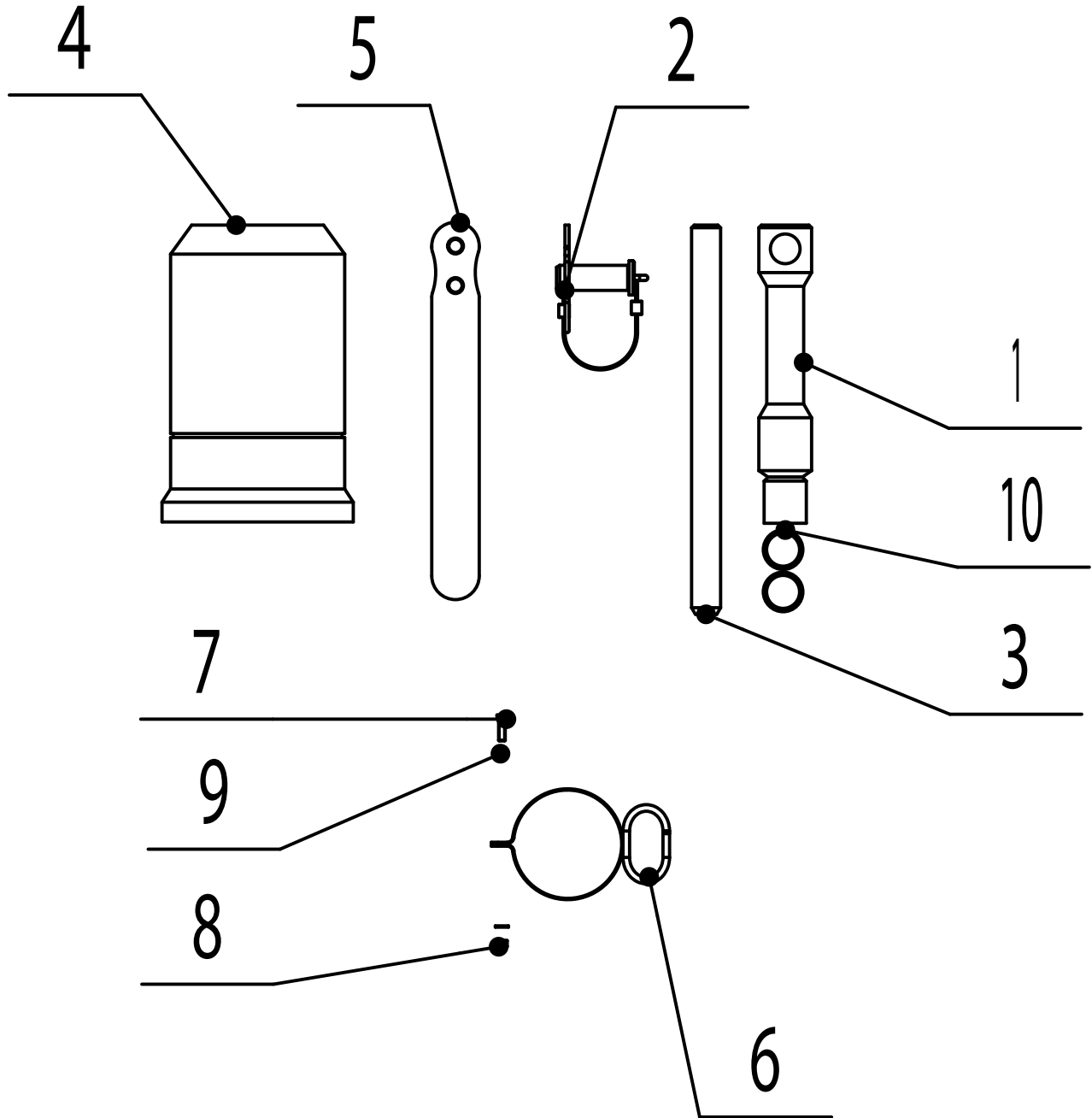
**AIR CONDITION ACCESSORIES****37.4**

| 1  | 2        | 3 | 4 | Name                   |
|----|----------|---|---|------------------------|
| 1  | 21374001 | 1 |   | BRACKET                |
| 2  | 20374003 | 1 |   | HOLDER                 |
| 3  | 21374003 | 1 |   | DRAWBAR                |
| 4  | 21374004 | 1 |   | PULLEY                 |
| 5  | 20374018 | 1 |   | SLUDGE CLEANER         |
| 6  | 20374020 | 1 |   | PRESSURE VALVE         |
| 7  | 20374025 | 1 |   | COMPRESSOR             |
| 8  | 20374019 | 1 |   | SLUDGE CLEANER BRACKET |
| 9  | 20374022 | 1 |   | HOSE 2                 |
| 10 | 20374021 | 1 |   | HOSE 1                 |
| 11 | 20374023 | 1 |   | HOSE 3                 |
| 12 | 21374012 | 1 |   | HOSE 5                 |
| 13 | 08101022 | 3 |   | SCREW M6x20            |
| 15 | 07172007 | 4 |   | SCREW M8x25            |
| 16 | 00085020 | 3 |   | SCREW M10x25           |
| 17 | 00173002 | 1 |   | SCREW M10x30           |
| 18 | 01215022 | 2 |   | SCREW M6x20            |
| 19 | 00020012 | 2 |   | WASHER 6.4             |
| 20 | 09157017 | 1 |   | WASHER 6.3             |
| 21 | 00031055 | 5 |   | WASHER 6               |
| 22 | 00020019 | 4 |   | WASHER 8               |
| 23 | 00020029 | 4 |   | WASHER 10              |
| 24 | 21374024 | 1 |   | V-BELT 10x725          |



**AIR CONDITION ASSEMBLY****37.5**

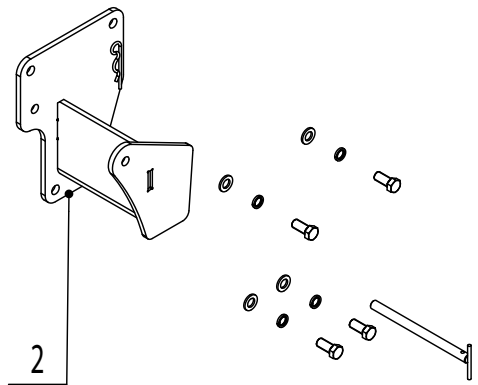
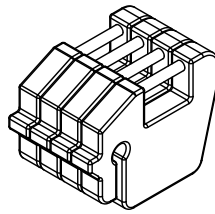
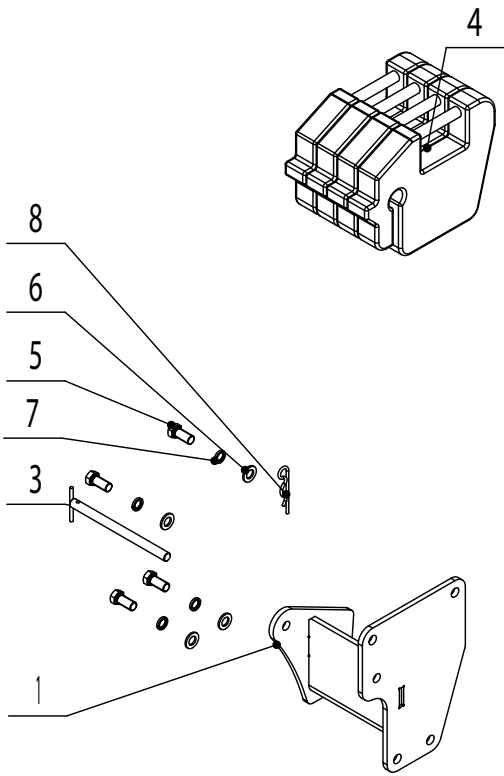
| <b>1</b> | <b>2</b> | <b>3</b> | <b>4</b> | <b>Name</b>           |
|----------|----------|----------|----------|-----------------------|
| 1        | 07102016 | 4        |          | NUT M5                |
| 2        | 20371004 | 4        |          | SCREW ST 3.5x9.5      |
| 3        | 20375003 | 1        |          | AIR CONDITION BUNDLE  |
| 4        | 20375004 | 1        |          | AIR CONDITION         |
| 5        | 20375005 | 1        |          | AIR CONDITION CONTROL |
| 6        | 20371007 | 1        |          | BOWDEN                |
| 7        | 00050022 | 2        |          | WASHER 5.3            |
| 8        | 00081064 | 2        |          | WASHER 5.1            |





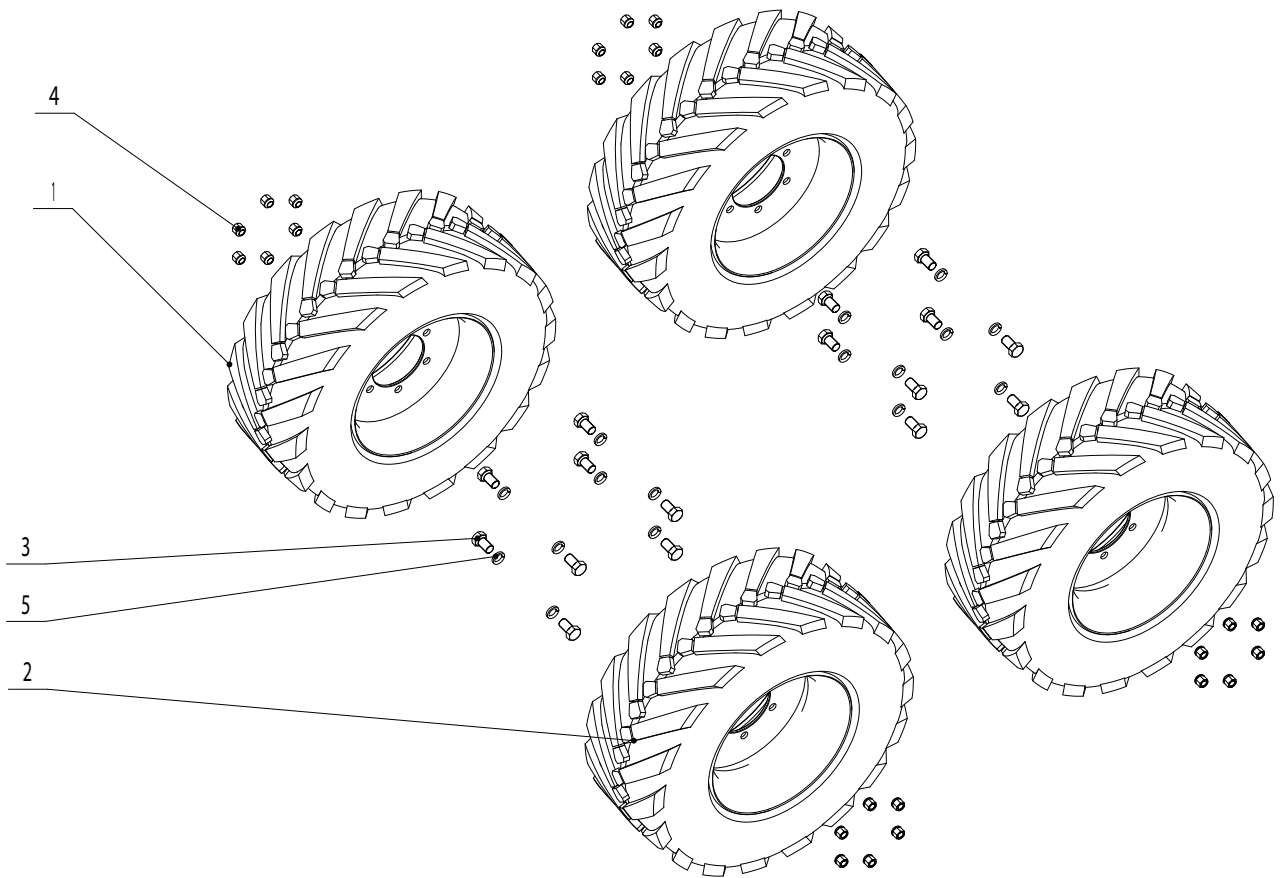
**BASIC EQUIPMENT****43.1**

| <b>1</b> | <b>2</b> | <b>3</b> | <b>4</b> | <b>Name</b>   |
|----------|----------|----------|----------|---------------|
| 1        | 07250029 | 1        |          | WRENCH        |
| 2        | 20431002 | 1        |          | PIN           |
| 3        | 00252005 | 1        |          | BAR           |
| 4        | 12250026 | 1        |          | BEACON 12/24V |
| 5        | 20431005 | 1        |          | WRENCH        |
| 6        | 20431006 | 1        |          | CLAMP         |
| 7        | 07152028 | 1        |          | SCREW M5X16   |
| 8        | 07102016 | 1        |          | NUT M5        |
| 9        | 00050022 | 2        |          | WASHER 5.3    |
| 10       | 00120042 | 2        |          | RING          |



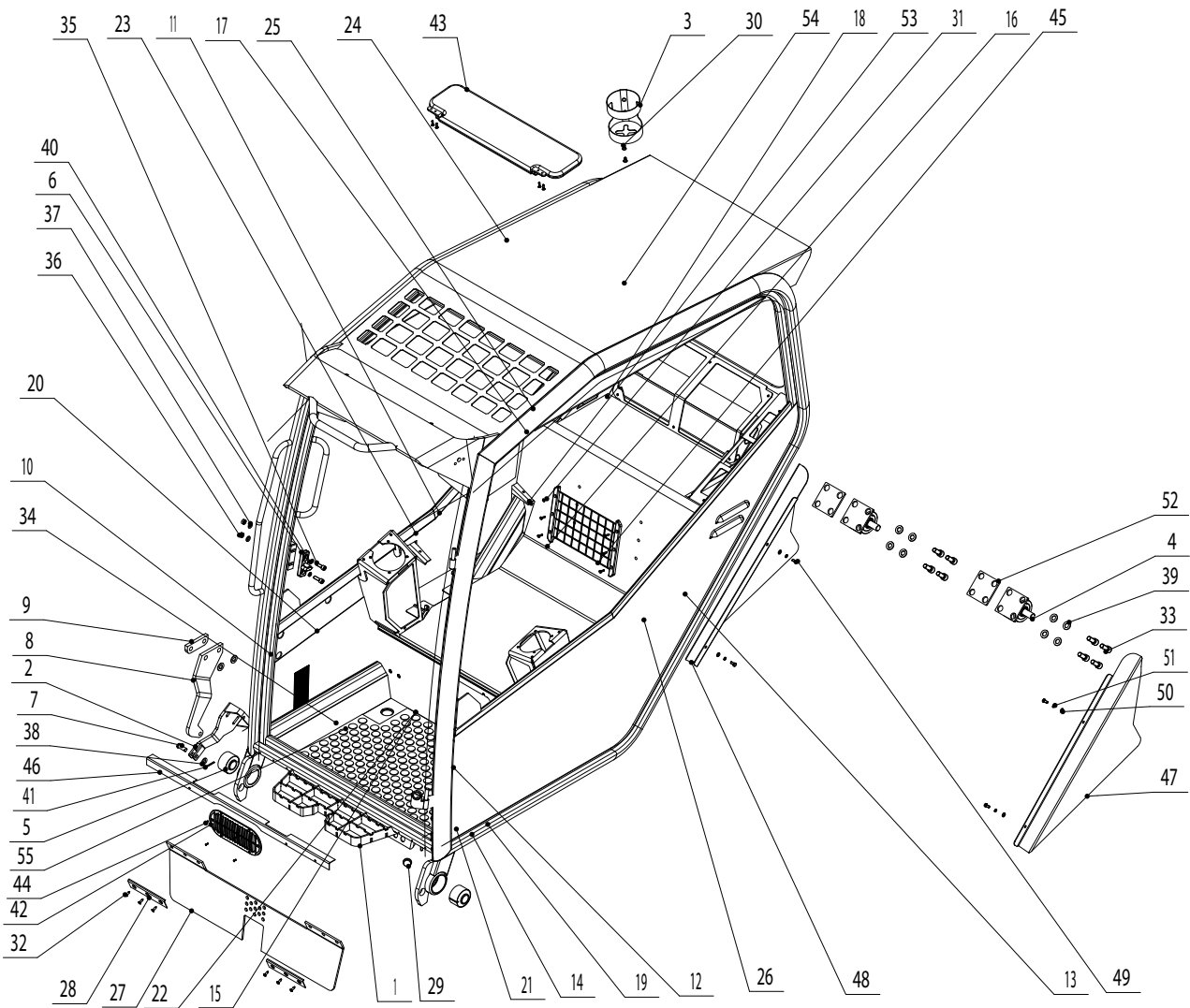
**ADDITIONAL COUNTERWEIGHT****43.2**

| <b>1</b> | <b>2</b> | <b>3</b> | <b>4</b> | <b>Name</b>        |
|----------|----------|----------|----------|--------------------|
| 1        | 20432001 | 1        |          | RIGHT WELDED PIECE |
| 2        | 20432002 | 1        |          | LEFT WELDED PIECE  |
| 3        | 20432003 | 2        |          | PIN                |
| 4        | 20432004 | 8        |          | WEIGHT 20KG (40LB) |
| 5        | 20432005 | 8        |          | SCREW M16x1.5x35   |
| 6        | 08178009 | 8        |          | WASHER 16          |
| 7        | 00171024 | 8        |          | WASHER 16.3        |
| 8        | 06120008 | 2        |          | COTTER PIN         |

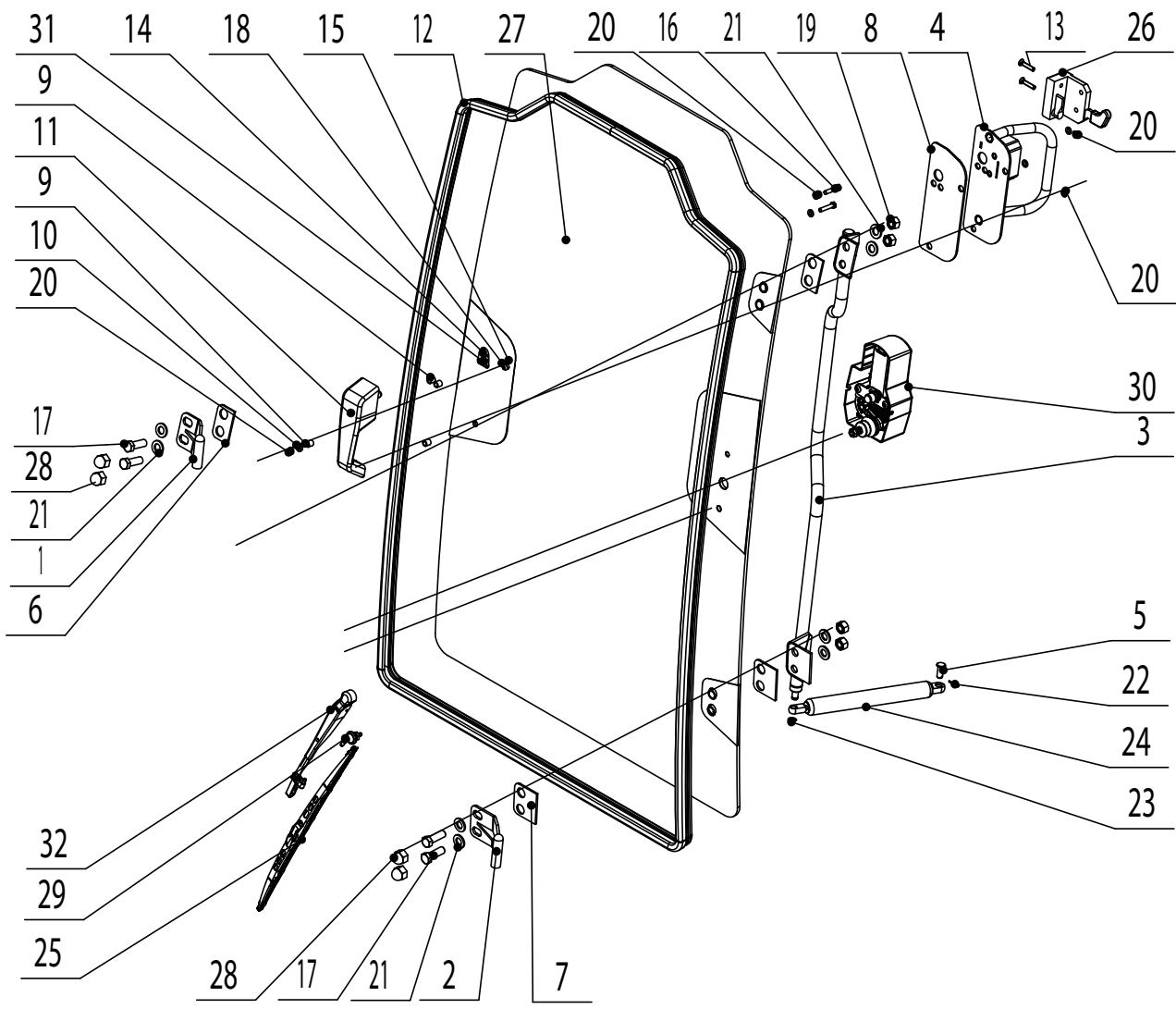


**WHEELS****79.1**

| <b>1</b> | <b>2</b> | <b>3</b> | <b>4</b> | <b>Name</b>    |
|----------|----------|----------|----------|----------------|
| 1        | 11140006 | 2        |          | RIGHT WHEEL    |
| 2        | 11140007 | 2        |          | LEFT WHEEL     |
| 3        | 20791003 | 16       |          | SCREW M24x2x40 |
| 4        | 00031028 | 24       |          | NUT M18x1.5    |
| 5        | 07411009 | 16       |          | WASHER 24.5    |

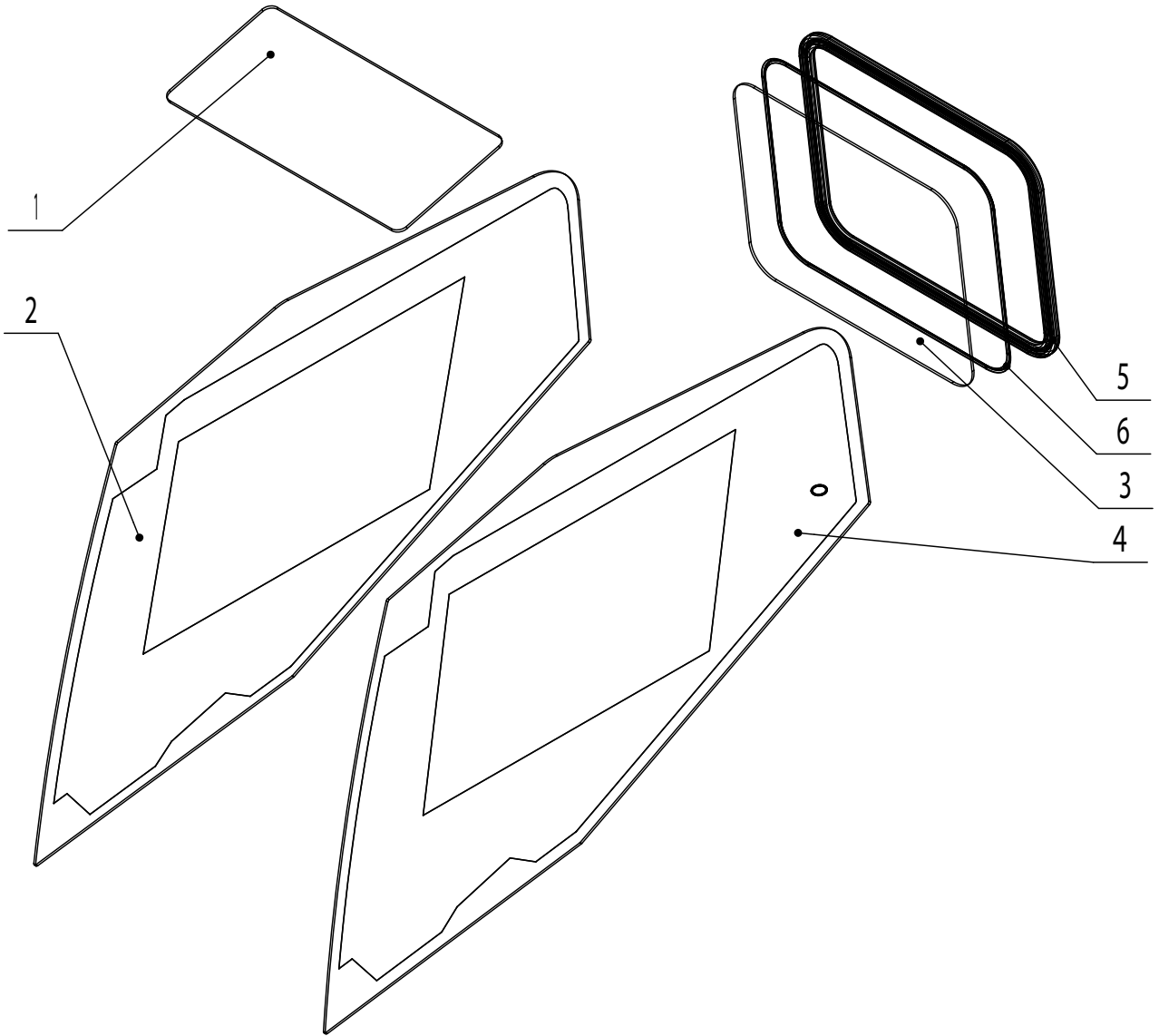


| 1  | 2        | 3  | 4 | Name              |
|----|----------|----|---|-------------------|
| 1  | 20831001 | 1  |   | WELDED CABIN      |
| 2  | 20831002 | 1  |   | DRAWBAR           |
| 3  | 20831003 | 1  |   | BOTTLE HOLDER     |
| 4  | 20831004 | 2  |   | SILENTBLOK        |
| 5  | 20831005 | 2  |   | SPRING            |
| 6  | 07151046 | 1  |   | SHEET             |
| 7  | 11020065 | 1  |   | PIN               |
| 8  | 20831008 | 1  |   | BRACKET           |
| 9  | 20831009 | 2  |   | WASHER            |
| 10 | 20831010 | 1  |   | RIGHT FACING 1    |
| 11 | 20831011 | 1  |   | RIGHT FACING 2    |
| 12 | 20831012 | 1  |   | LEFT FACING 1     |
| 13 | 20831013 | 1  |   | LEFT FACING 2     |
| 14 | 20831014 | 1  |   | FLOOR FACING 1    |
| 15 | 20831015 | 1  |   | FLOOR FACING 2    |
| 16 | 20831016 | 1  |   | SEAT FACING 1     |
| 17 | 20831017 | 1  |   | SEAT FACING 2     |
| 18 | 20831018 | 1  |   | UPPER FACING      |
| 19 | 20831019 | 1  |   | FLOOR RUBBER 1    |
| 20 | 20831020 | 1  |   | RIGHT RUBBER 1    |
| 21 | 20831021 | 1  |   | LEFT RUBBER 1     |
| 22 | 20831022 | 1  |   | FLOOR RUBBER 2    |
| 23 | 20831023 | 1  |   | RIGHT RUBBER 2    |
| 24 | 20831024 | 1  |   | MIDDLE FACING     |
| 25 | 20831025 | 1  |   | SEAT FACING       |
| 26 | 20831026 | 1  |   | LEFT RUBBER 2     |
| 27 | 20831027 | 1  |   | GUM               |
| 28 | 20831028 | 2  |   | SLAT              |
| 29 | 07156014 | 1  |   | STOP              |
| 30 | 07120031 | 2  |   | SCREW M6x14       |
| 31 | 20831031 | 10 |   | SCREW M4x16       |
| 32 | 14088028 | 6  |   | SCREW M4.8x16     |
| 33 | 00272015 | 8  |   | SCREW M12x30      |
| 34 | 09202026 | 2  |   | SCREW M12x45      |
| 35 | 11064028 | 2  |   | SCREW M8x25       |
| 36 | 01061006 | 2  |   | NUT M8            |
| 37 | 00020018 | 2  |   | WASHER 8.4        |
| 38 | 00083021 | 1  |   | WASHER 10.5       |
| 39 | 00031054 | 10 |   | WASHER 13         |
| 40 | 00020019 | 2  |   | WASHER 8.2        |
| 41 | 10011041 | 1  |   | COTTER PIN 3.2x18 |
| 42 | 20831042 | 1  |   | GRATE             |
| 43 | 12152032 | 1  |   | FLAP              |
| 44 | 20831044 | 4  |   | SCREW ST2.9x9.5   |
| 45 | 20831045 | 1  |   | BAG               |
| 46 | 20831046 | 1  |   | COVERING SLAT     |
| 47 | 20831047 | 1  |   | LEFT SHEET        |
| 48 | 20831048 | 1  |   | RIGHT SHEET       |
| 49 | 06261026 | 4  |   | SCREW M6x12       |
| 50 | 00020012 | 4  |   | WASHER 6.4        |
| 51 | 00031055 | 4  |   | WASHER 6          |
| 52 | 20831052 | 2  |   | WASHER            |
| 53 | 00101034 | 2  |   | SLEEVE 8x2        |
| 54 | 20831054 | 2  |   | NUT M6            |
| 55 | 00031052 | 2  |   | WASHER 12.2       |

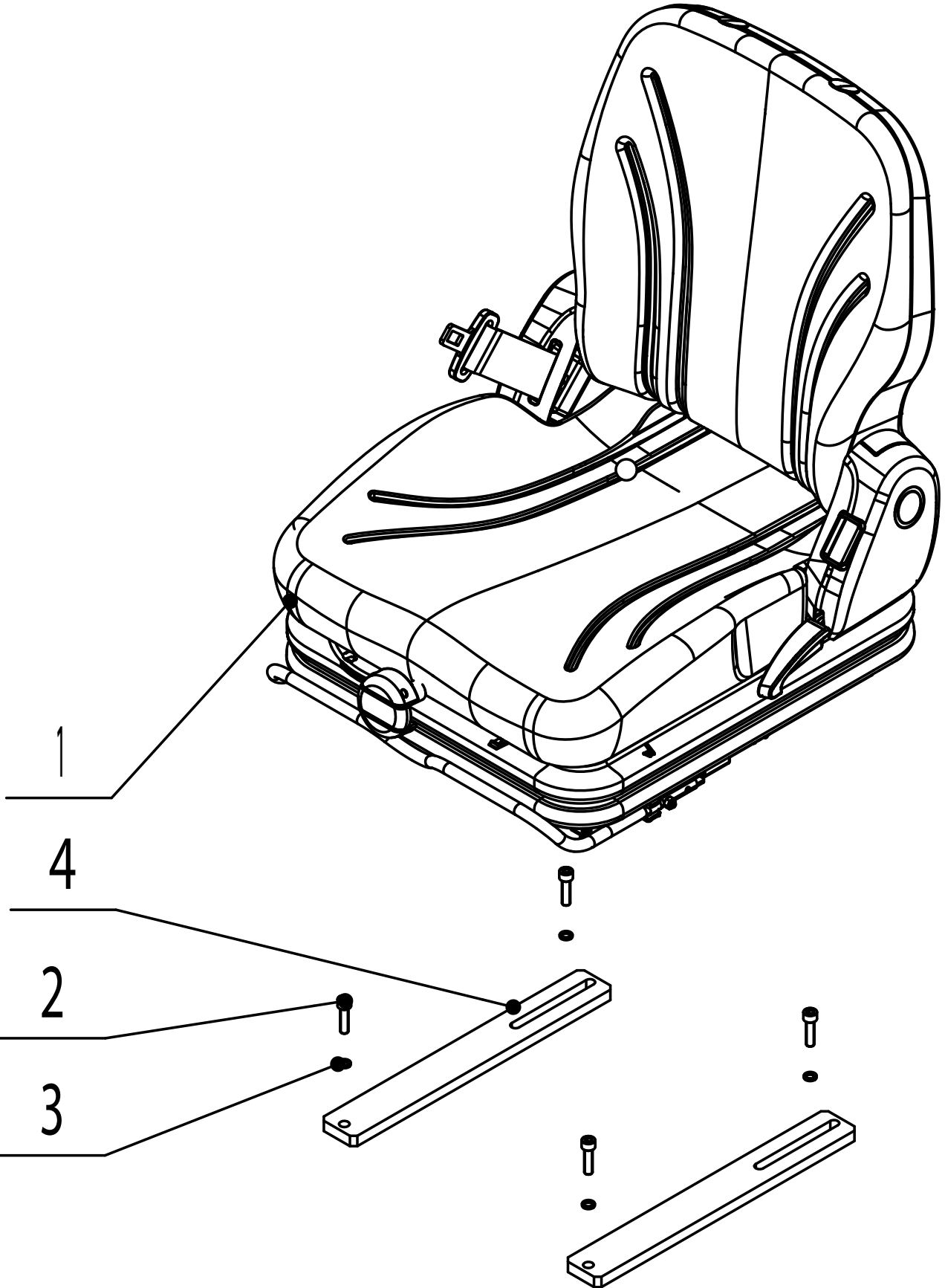




| 1  | 2        | 3    | 4 | Name                 |
|----|----------|------|---|----------------------|
| 1  | 20832001 | 1    |   | UPPER JOINT          |
| 2  | 20832002 | 1    |   | LOWER JOINT          |
| 3  | 20832003 | 1    |   | WELDED HANDLE        |
| 4  | 20832004 | 1    |   | LOCK BRACKET         |
| 5  | 07151009 | 1    |   | PIN                  |
| 6  | 20832006 | 2    |   | SEALING              |
| 7  | 20832007 | 2    |   | SEALING              |
| 8  | 20832008 | 1    |   | SEALING              |
| 9  | 20832009 | 4    |   | ROLLER               |
| 10 | 20832010 | 1    |   | SCREW SEALING        |
| 11 | 20832011 | 1    |   | HANDLE               |
| 12 | 20832012 | 3.75 |   | SEALING              |
| 13 | 01151021 | 2    |   | SCREW M6x30          |
| 14 | 20832014 | 3    |   | SCREW M6x22          |
| 15 | 20832015 | 1    |   | SCREW M6x25          |
| 16 | 12066033 | 2    |   | SCREW M6x30          |
| 17 | 00350006 | 4    |   | SCREW M12x35         |
| 18 | 09101029 | 1    |   | NUT M6               |
| 19 | 00031049 | 4    |   | NUT M12              |
| 20 | 00020012 | 7    |   | WASHER 6.4           |
| 21 | 00031054 | 8    |   | WASHER 13            |
| 22 | 00020024 | 1    |   | COTTER PIN 2x16      |
| 23 | 07020015 | 1    |   | SAFETY RING 7        |
| 24 | 20832024 | 1    |   | STRUT                |
| 25 | 20832025 | 1    |   | WIPER                |
| 26 | 06210006 | 1    |   | LOCK                 |
| 27 | 20832027 | 1    |   | WINDSHIELD           |
| 28 | 20832028 | 4    |   | CAP                  |
| 29 | 20832029 | 1    |   | SLEEVE               |
| 30 | 20832030 | 1    |   | WIPER ELECTRIC MOTOR |
| 31 | 00031055 | 3    |   | WASHER 6             |
| 32 | 20832032 | 1    |   | WIPER ARM            |



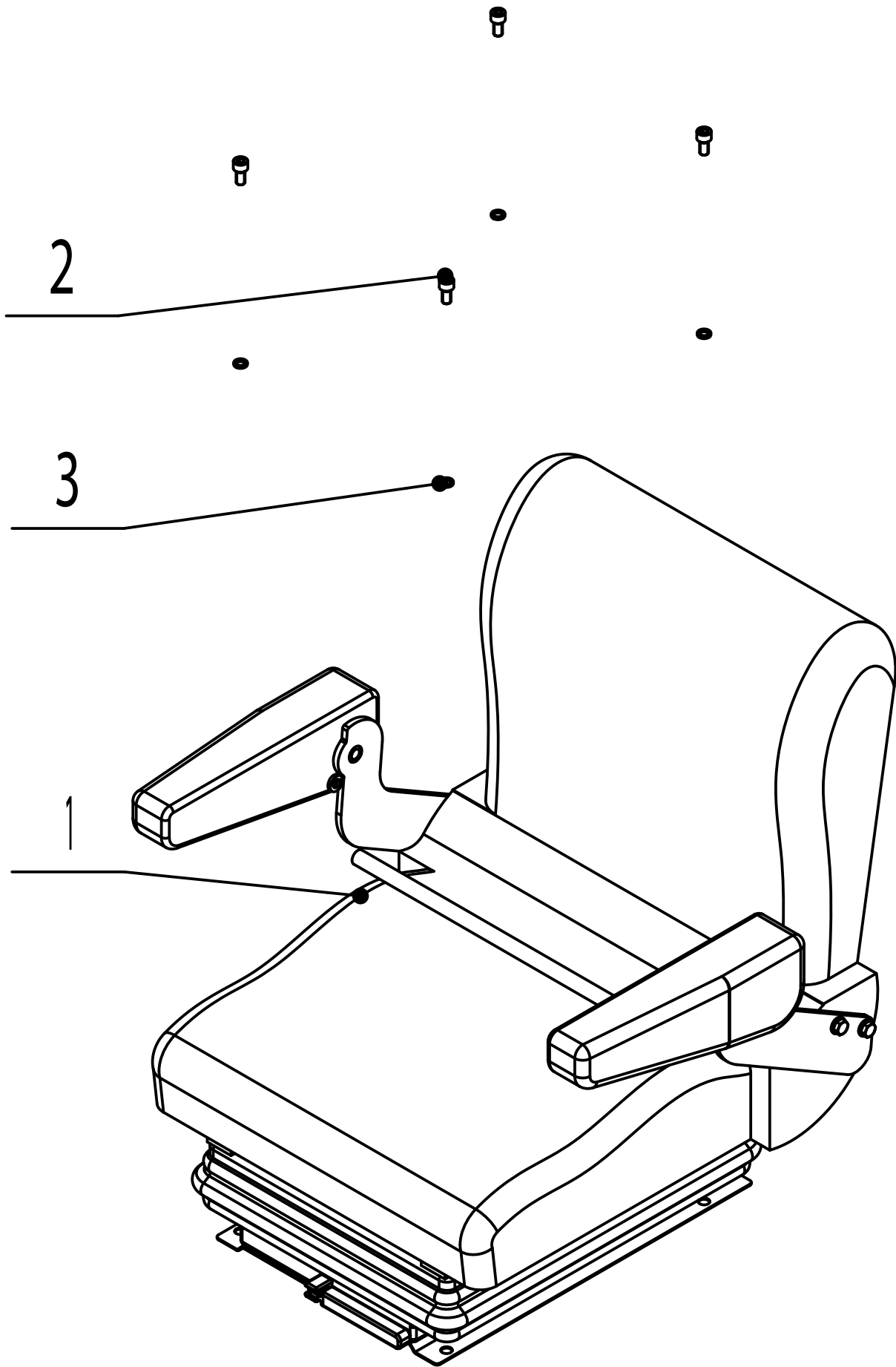
| <b>1</b> | <b>2</b> | <b>3</b> | <b>4</b> | <b>Name</b>  |
|----------|----------|----------|----------|--------------|
| 1        | 20833001 | 1        |          | MOONROOF     |
| 2        | 20833002 | 1        |          | LEFT WINDOW  |
| 3        | 20833003 | 1        |          | REAR DOOR    |
| 4        | 20833004 | 1        |          | RIGHT WINDOW |
| 5        | 14152034 | 2.2      |          | WINDOW SEAL  |
| 6        | 14152038 | 2.2      |          | RUBBER SEAL  |
| 7        | 00120042 | 1        |          | RING         |



**PNEUMATIC SEAT**

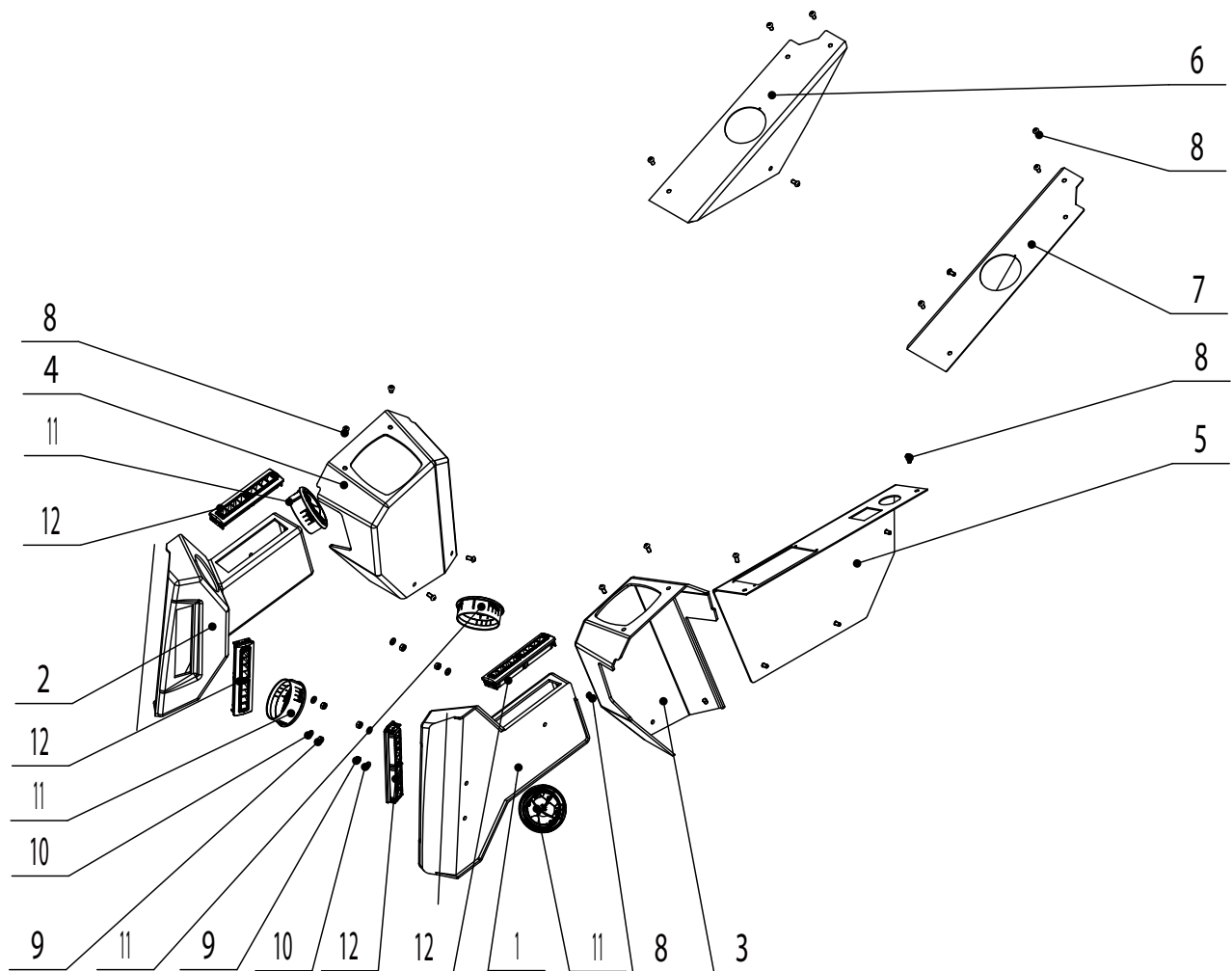
**83.4**

| <b>1</b> | <b>2</b> | <b>3</b> | <b>4</b> | <b>Name</b> |
|----------|----------|----------|----------|-------------|
| 1        | 20834001 | 1        |          | SEAT        |
| 2        | 09068033 | 4        |          | SCREW M8x30 |
| 3        | 00020019 | 4        |          | WASHER 8.2  |
| 4        | 20834004 | 2        |          | PLATE       |



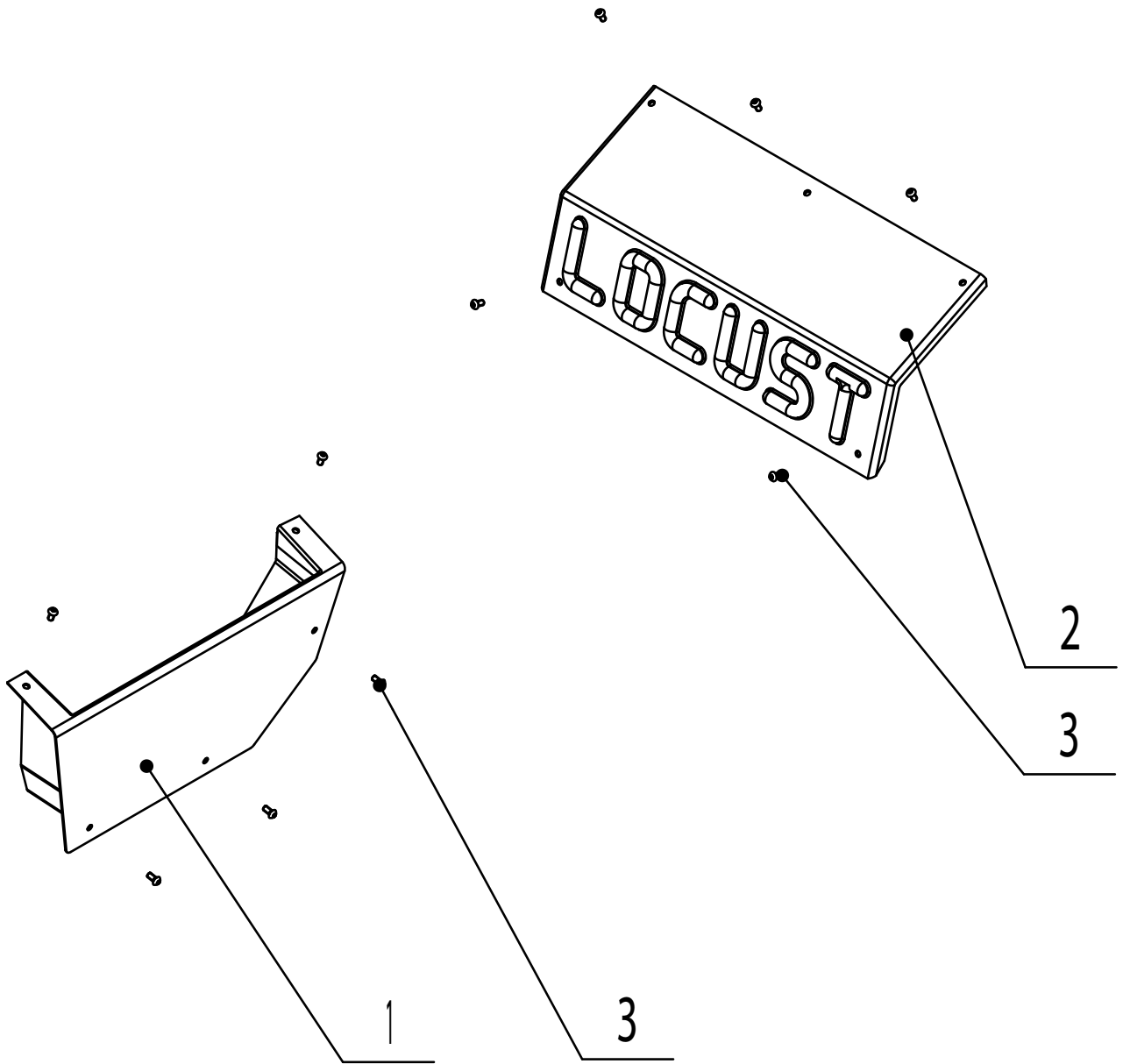
**STANDARD SEAT ASSEMBLY****83.5**

| <b>1</b> | <b>2</b> | <b>3</b> | <b>4</b> | <b>Name</b> |
|----------|----------|----------|----------|-------------|
| 1        | 08153072 | 1        |          | SEAT        |
| 2        | 06334012 | 4        |          | SCREW M8x16 |
| 3        | 00020019 | 4        |          | WASHER 8.2  |





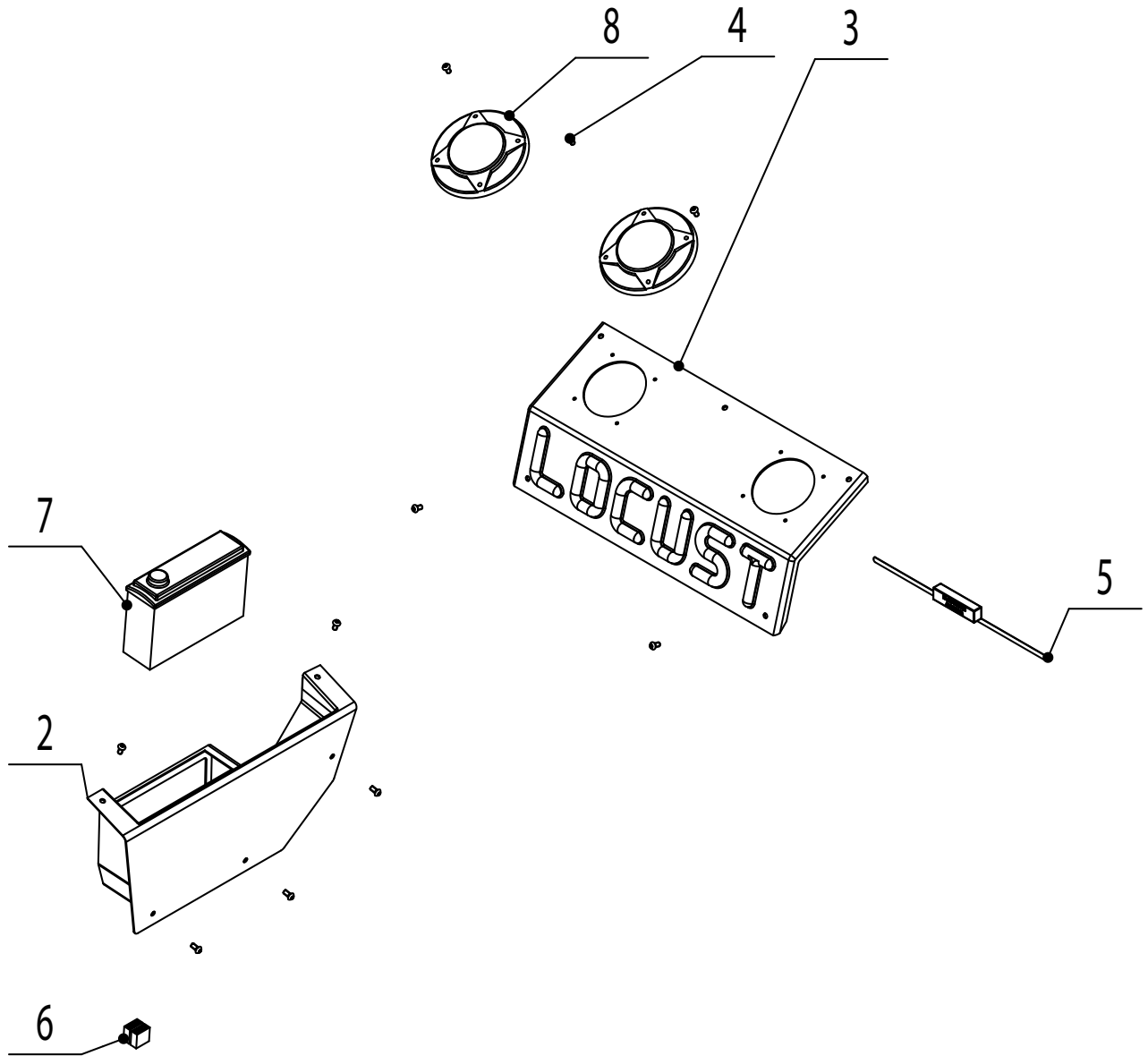
| 1  | 2        | 3  | 4 | Name                    |
|----|----------|----|---|-------------------------|
| 1  | 20836001 | 1  |   | FRONT LEFT PLASTIC      |
| 2  | 20836002 | 1  |   | FRONT RIGHT PLASTIC     |
| 3  | 20836003 | 1  |   | LEFT CONTROLER PLASTIC  |
| 4  | 20836004 | 1  |   | RIGHT CONTROLER PLASTIC |
| 5  | 20836005 | 1  |   | LEFT PLASTIC            |
| 6  | 20836006 | 1  |   | RIGHT DIFFUSER PLASTIC  |
| 7  | 20836007 | 1  |   | LEFT DIFFUSER PLASTIC   |
| 8  | 14035031 | 21 |   | SCREW M6x12             |
| 9  | 01083033 | 6  |   | NUT M6                  |
| 10 | 00020012 | 6  |   | WASHER 6.4              |
| 11 | 14157059 | 4  |   | DIFFUSER                |
| 12 | 20836012 | 4  |   | DIFFUSER                |



**PLASTIC WITHOUT AUDIO**

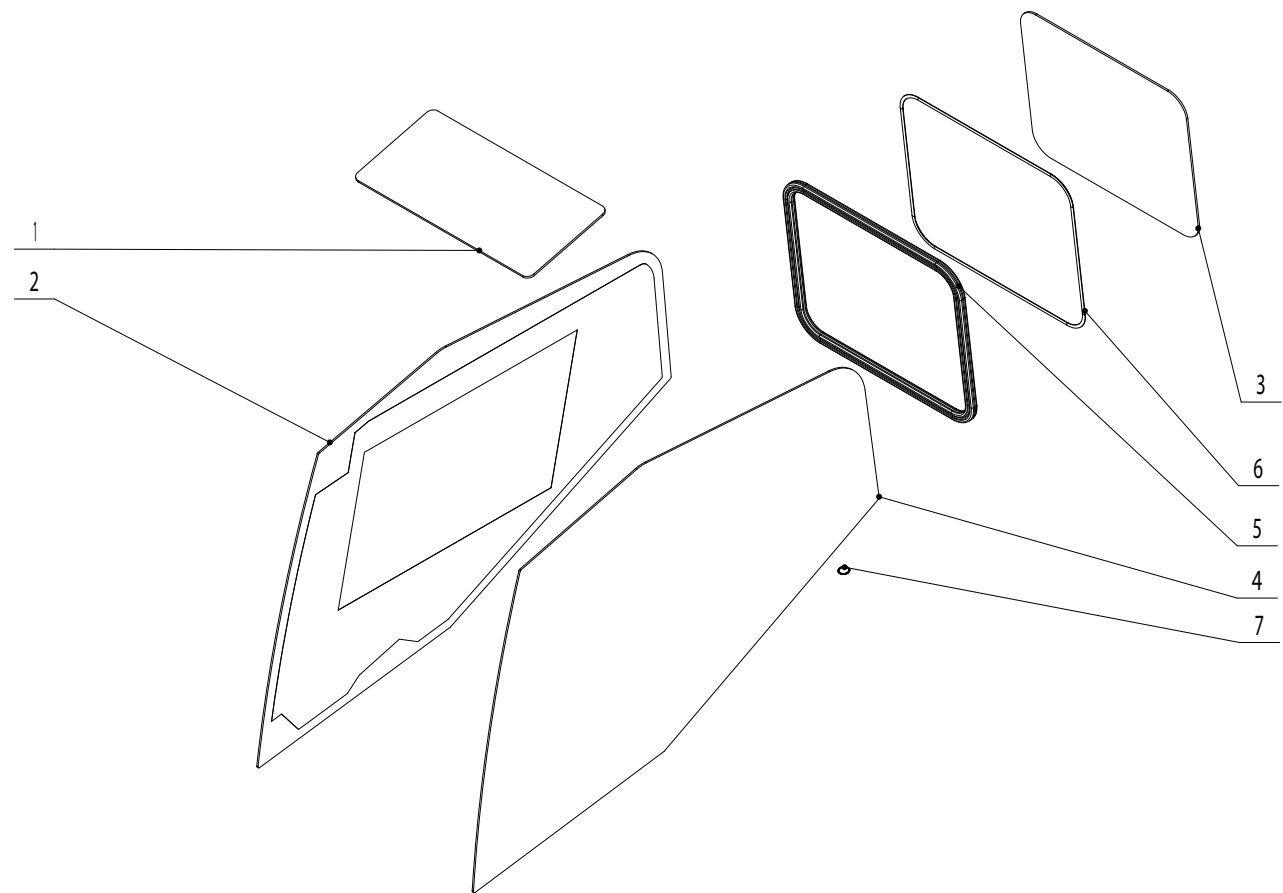
**83.7**

| <b>1</b> | <b>2</b> | <b>3</b> | <b>4</b> | <b>Name</b>   |
|----------|----------|----------|----------|---------------|
| 1        | 20837001 | 1        |          | RIGHT PLASTIC |
| 2        | 20837002 | 1        |          | REAR PLASTIC  |
| 3        | 14035031 | 10       |          | SCREW M6x12   |



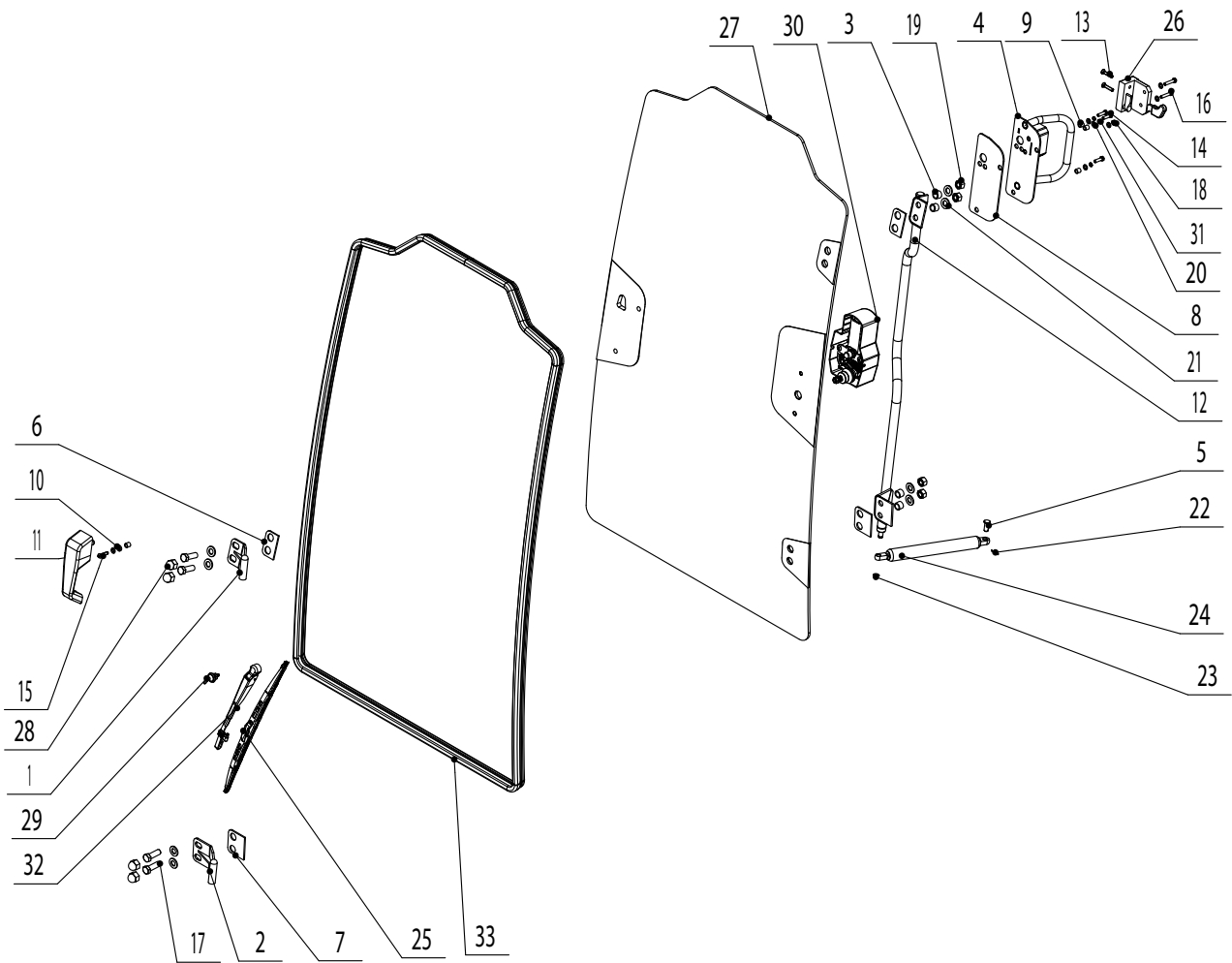
**AUDIO SYSTEM****83.8**

| 1 | 2        | 3  | 4 | Name         |
|---|----------|----|---|--------------|
| 1 | 20838001 | 1  |   | BUNDLE       |
| 2 | 20838002 | 1  |   | PLASTIC      |
| 3 | 20838003 | 1  |   | PLASTIC      |
| 4 | 14035031 | 10 |   | SCREW        |
| 5 | 20838005 | 1  |   | ANTENN M6x12 |
| 6 | 20838006 | 1  |   | CONNECTOR    |
| 7 | 20838007 | 1  |   | CAR RADIO    |
| 8 | 20838008 | 1  |   | SPEAKER      |



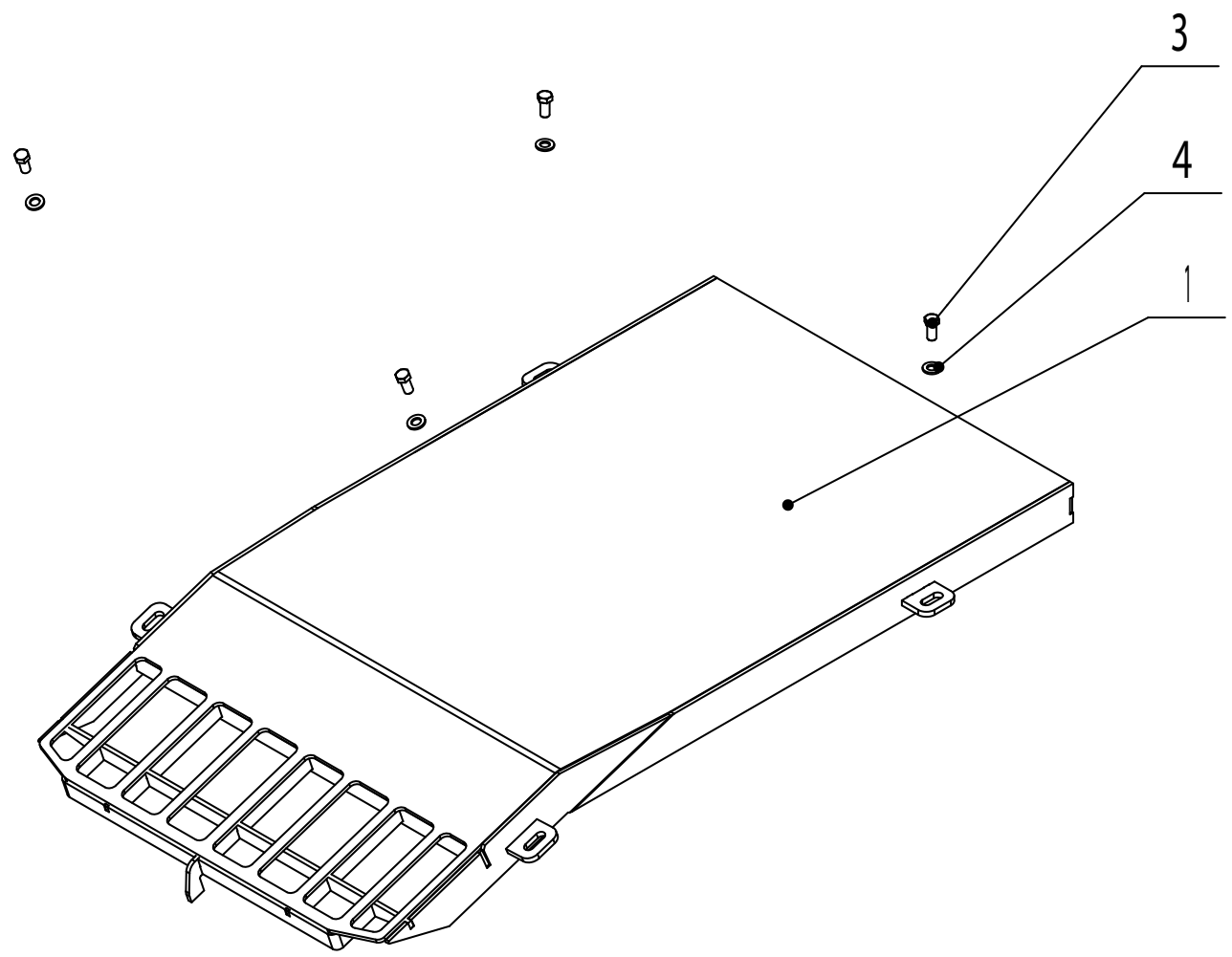
**GREEN WINDOWS ASSEMBLY****83.9**

| <b>1</b> | <b>2</b> | <b>3</b> | <b>4</b> | <b>Name</b>  |
|----------|----------|----------|----------|--------------|
| 1        | 20833001 | 1        |          | MOONROOF     |
| 2        | 20839002 | 1        |          | LEFT WINDOW  |
| 3        | 20839003 | 1        |          | REAR DOOR    |
| 4        | 20839004 | 1        |          | RIGHT WINDOW |
| 5        | 14152034 | 2.2      |          | WINDOW SEAL  |
| 6        | 14152038 | 2.2      |          | RUBBER SEAL  |
| 7        | 00120042 | 1        |          | RING         |





| 1  | 2        | 3    | 4 | Name                 |
|----|----------|------|---|----------------------|
| 1  | 20832001 | 1    |   | UPPER JOINT          |
| 2  | 20832002 | 1    |   | LOWER JOINT          |
| 3  | 20832033 | 4    |   | ROLLER               |
| 4  | 20832004 | 1    |   | LOCK BRACKET         |
| 5  | 07151009 | 1    |   | PIN                  |
| 6  | 20832006 | 2    |   | SEALING              |
| 7  | 20832007 | 2    |   | SEALING              |
| 8  | 20832008 | 1    |   | SEALING              |
| 9  | 20832009 | 4    |   | ROLLER               |
| 10 | 20832010 | 1    |   | SCREW SEALING        |
| 11 | 20832011 | 1    |   | HANDLE               |
| 12 | 20832003 | 1    |   | WELDED HANDLE HANDLE |
| 13 | 01151021 | 2    |   | SCREW M6x30          |
| 14 | 20832014 | 3    |   | SCREW M6x22          |
| 15 | 20832015 | 1    |   | SCREW M6x25          |
| 16 | 12066033 | 2    |   | SCREW M6x30          |
| 17 | 00350006 | 4    |   | SCREW M12x35         |
| 18 | 09101029 | 1    |   | NUT M6               |
| 19 | 00031049 | 4    |   | NUT M12              |
| 20 | 00020012 | 7    |   | WASHER 6.4           |
| 21 | 00031054 | 8    |   | WASHER 13            |
| 22 | 00020024 | 1    |   | COTTER PIN 2x16      |
| 23 | 07020015 | 1    |   | SAFETY RING 7        |
| 24 | 20832024 | 1    |   | STRUT                |
| 25 | 20832025 | 1    |   | WIPER                |
| 26 | 06210006 | 1    |   | LOCK                 |
| 27 | 20841027 | 1    |   | WINDSHIELD           |
| 28 | 20832028 | 4    |   | CAP M12              |
| 29 | 20832029 | 1    |   | SLEEVE               |
| 30 | 20832030 | 1    |   | WIPER ELECTRIC MOTOR |
| 31 | 00031055 | 3    |   | WASHER 6             |
| 32 | 20832032 | 1    |   | WIPER ARM            |
| 33 | 20832012 | 3.75 |   | SEALING              |



| <b>1</b> | <b>2</b> | <b>3</b> | <b>4</b> | <b>Name</b>  |
|----------|----------|----------|----------|--------------|
| 1        | 20842001 | 1        |          | FOPS FRAME   |
| 3        | 01020024 | 4        |          | SCREW M12x25 |
| 4        | 00031054 | 4        |          | WASHER 13    |





WAY INDUSTRIES, a.s.  
Priemyselná 937/4  
963 01 Krupina  
Slovakia

[www.way.sk](http://www.way.sk)