

PART MANUAL

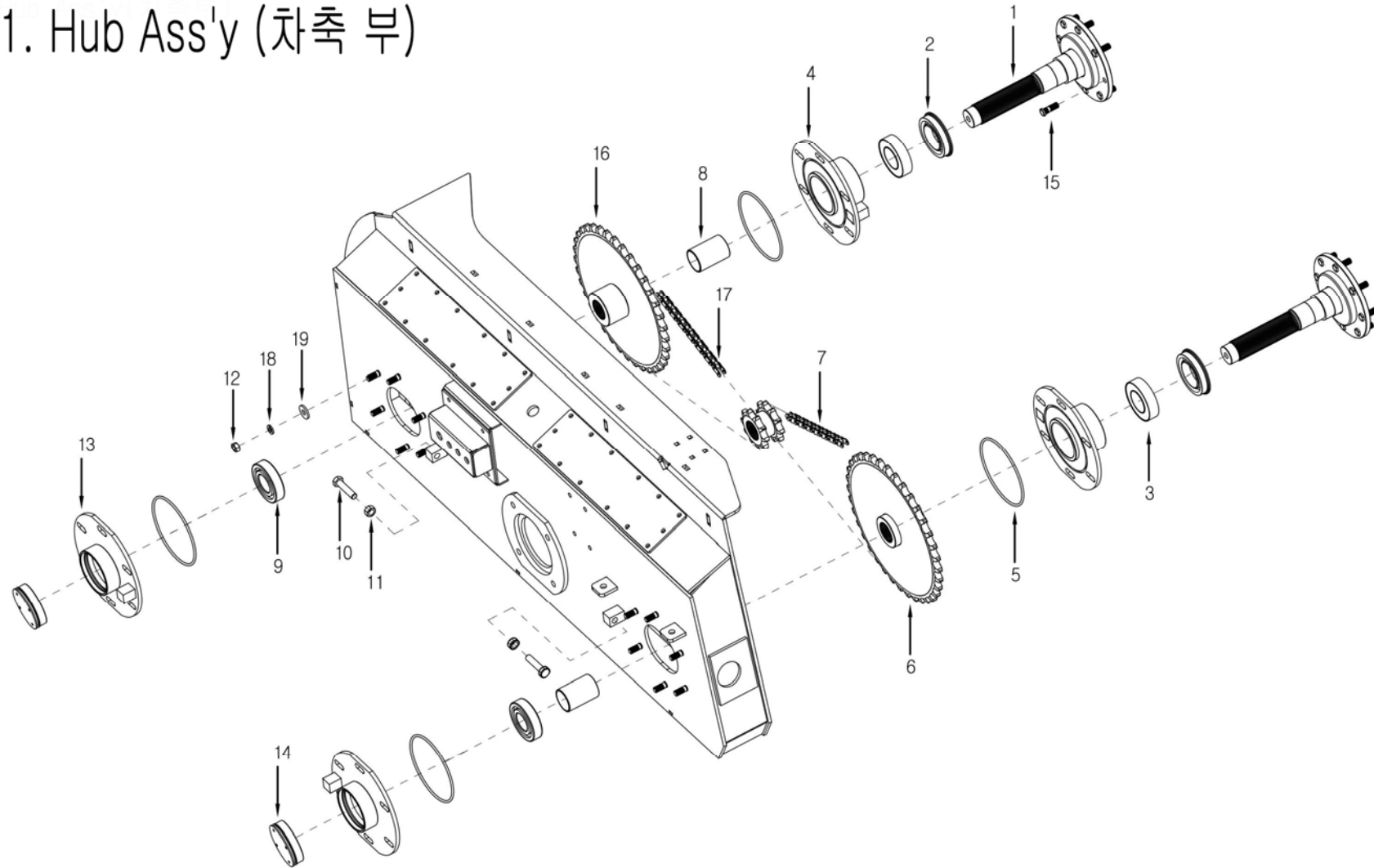
SKID STEER LOADER BSL350EX

1-20150701 / FINAL VERSION



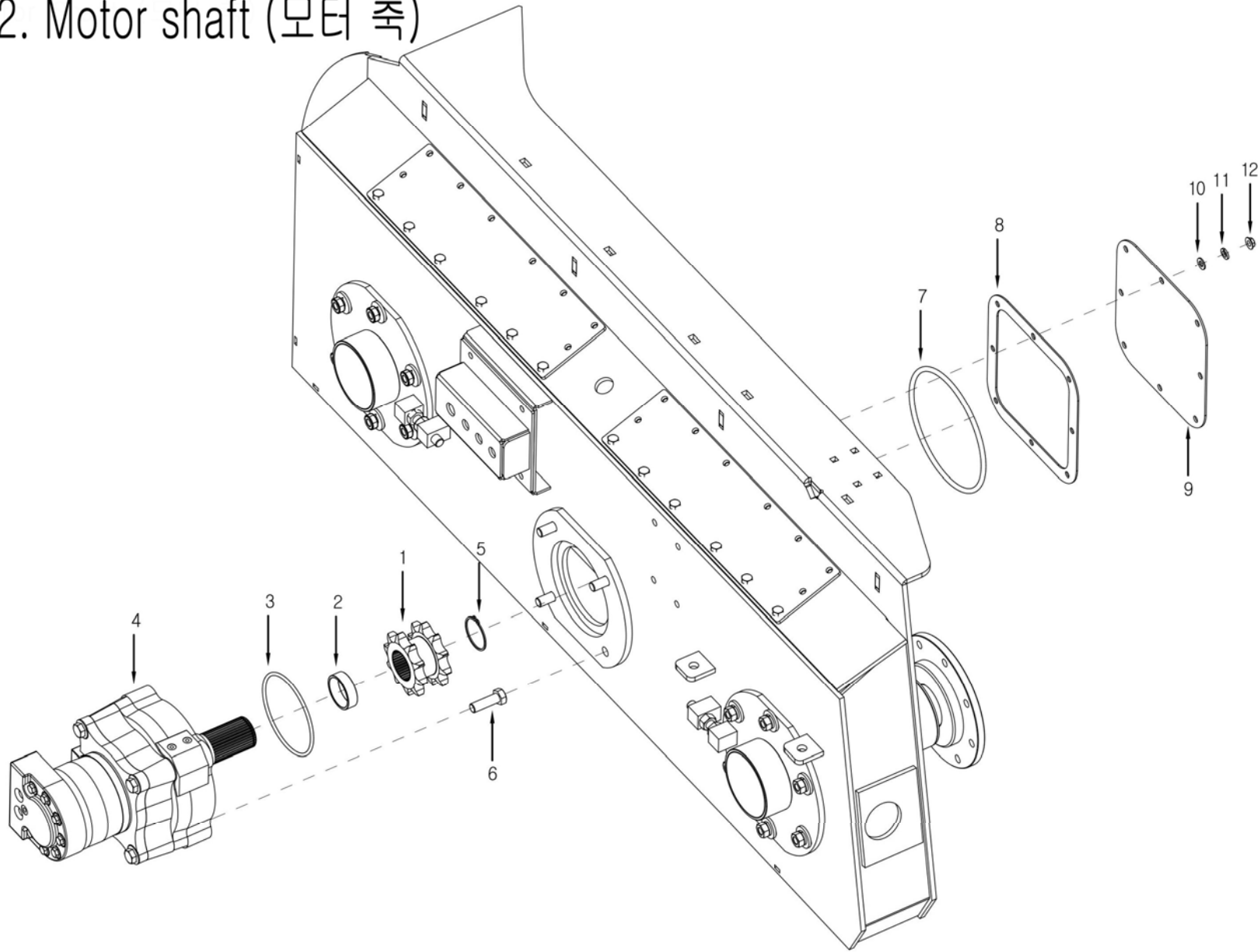
Bawoo Company Corp

1. Hub Ass'y (차축 부)



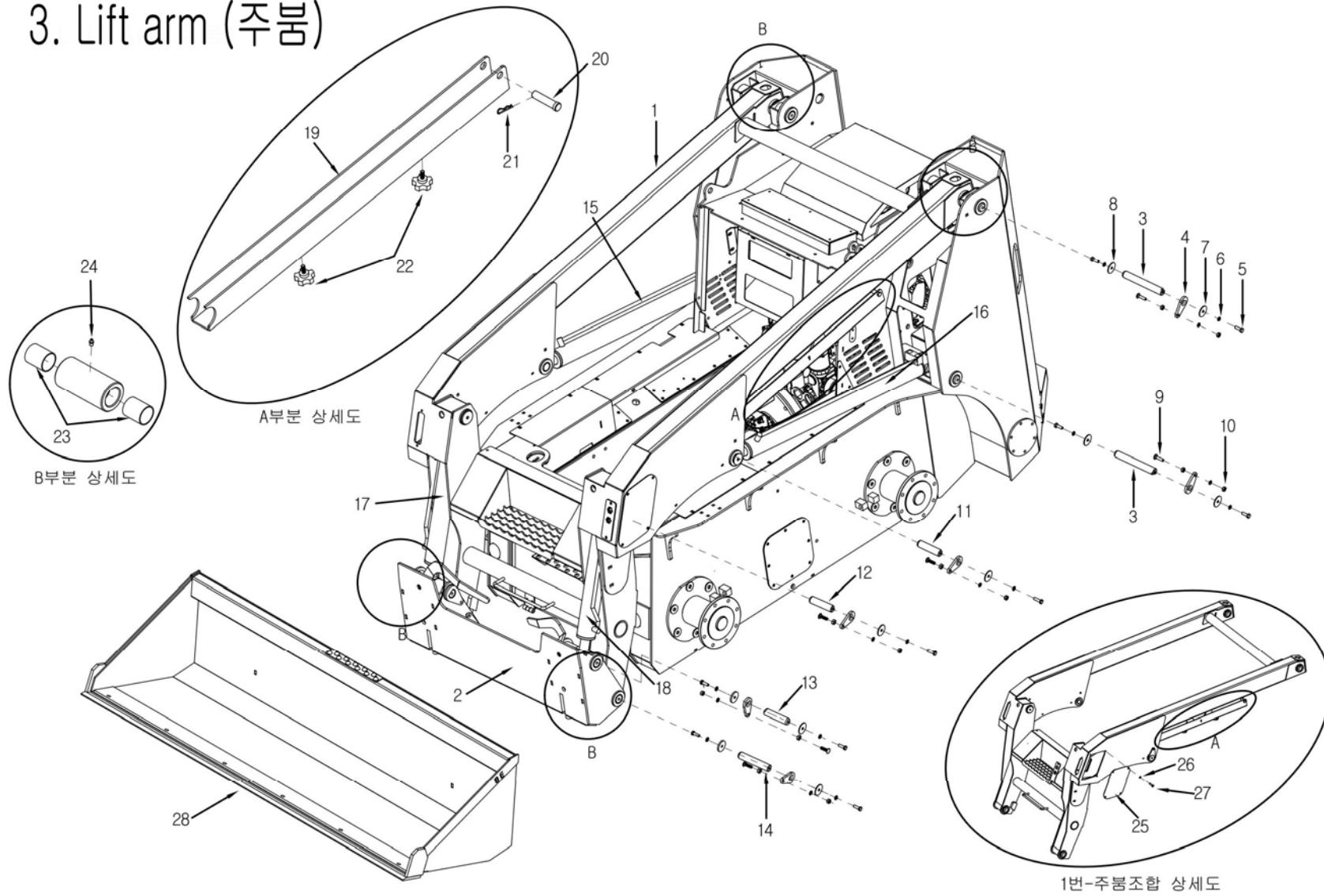
1. Hub Ass'y (차축 부)				
No.	Name	Part No.	Quantity	Remarks
1	Axle (차축)	350-0101	4	
2	Retainer (리테이너)	350-0102	4	
3	Bearing (베어링)	350-0103	4	
4	A fixed plate for tensioner, OUT (텐션 고정판 OUT)	350-0104	4	
5	O-ring (오 링)	350-0105	8	
6	Front chain gear (앞쪽 체인 기어)	350-0106	2	
7	Chain (체인)	350-0107	2	
8	Bush (부시)	350-0108	4	
9	Bearing (베어링)	350-0109	4	
10	Bolt (볼트)	350-0110	8	
11	Nut (너트)	350-0111	8	
12	Nut (너트)	350-0112	48	
13	A fixed plate for tensioner, IN (텐션 고정판 IN)	350-0113	4	
14	Cap (마개)	350-0114	4	
15	Wheel bolt (휠 볼트)	350-0115	32	
16	Rear chain gear (뒤쪽 체인 기어)	350-0116	2	
17	Chain (체인)	350-0117	2	
18	Spring Washer(스프링 와셔)	350-0118	48	
19	Washer(와셔)	350-0119	48	

2. Motor shaft (모터 축)



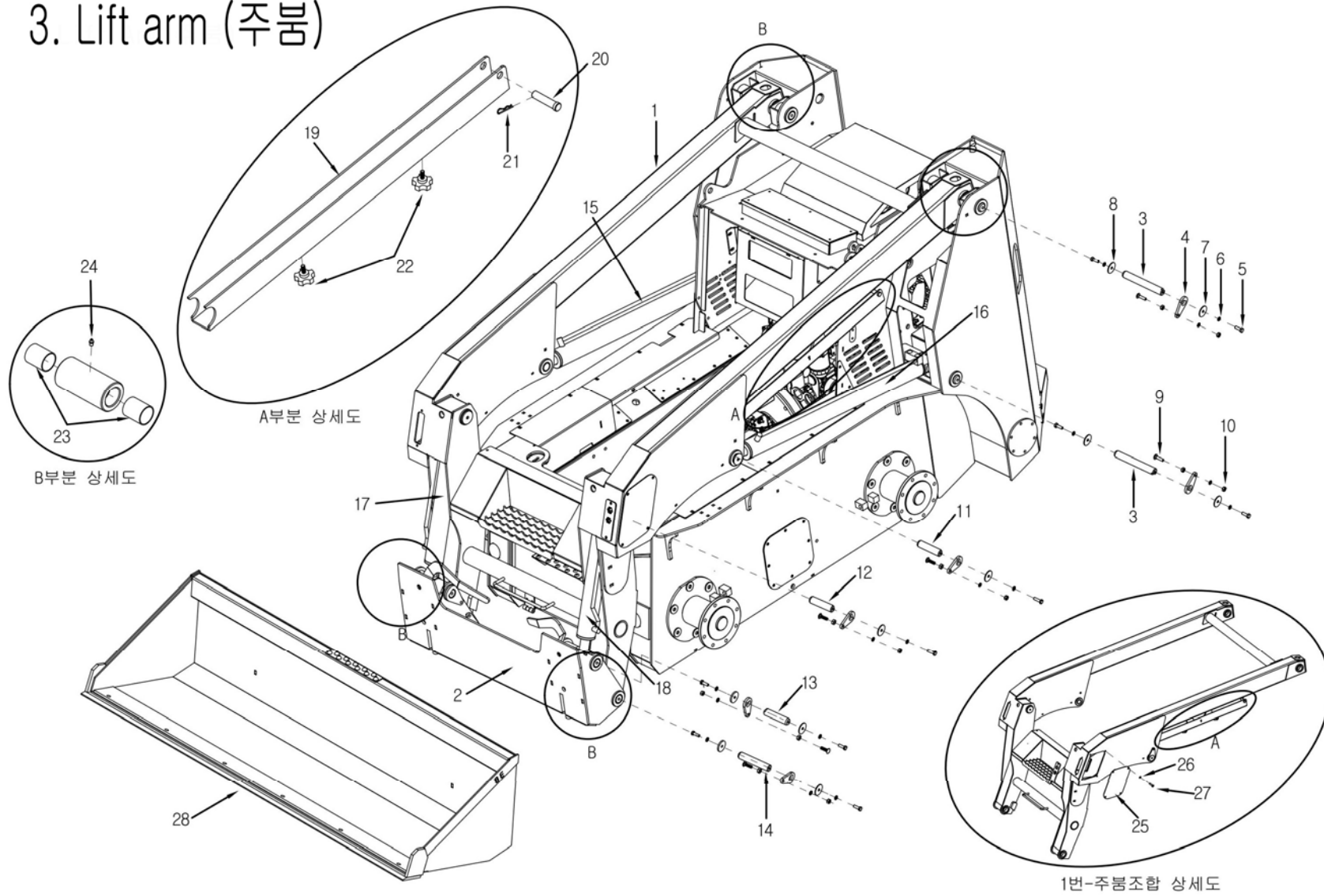
2. Motor shaft (모터 축)				
No.	Name	Part No.	Quantity	Remarks
1	Chain gear (체인 기어)	350-0201	2	
2	Bushing (부시)	350-0202	2	
3	O-ring (오 링)	350-0203	2	
4	Motor (모터)	350-0204	2	
5	Snap ring (스냅링)	350-0205	2	
6	Bolt (볼트)	350-0206	8	
7	Nut (너트)	350-0207	16	
8	Spacing plate for service window (정비창 간격판)	350-0208	2	
9	Service window (정비창)	350-0209	2	
10	Washer (와셔)	350-0210	16	
11	Spring washer (스프링 와셔)	350-0211	16	

3. Lift arm (주봉)



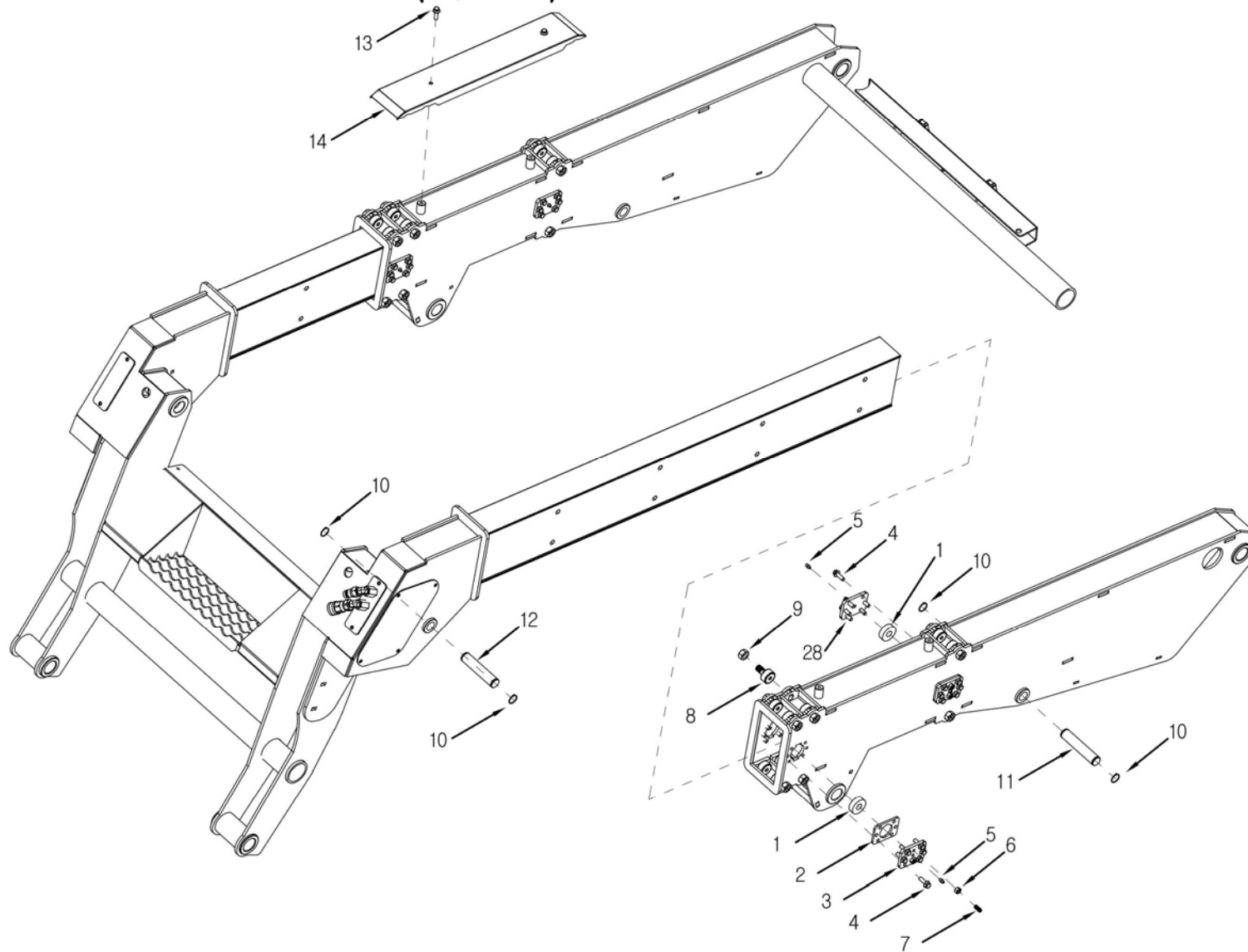
3. Lift arm (주뿔)				
No.	Name	Part No.	Quantity	Remarks
1	Lift arm ass'y (주뿔 조합)	350-0301	1	
1-1	Lift arm for extended boom assy (이단뿔용 주뿔조합)	350-0301-1	1	
2	Pad ass'y (패드 조합)	350-0302	1	
3	Horning pipe, pin for lift cylinder (주뿔실린더 핀(호닝관))	350-0303	4	
4	Bracket for fixing pin (핀 고정 브라켓)	350-0304	12	
5	Bolt (볼트)	350-0305	22	
6	Spring washer (스프링 와셔)	350-0306	34	
7	Washer (와셔)	350-0307	12	
8	Washer (와셔)	350-0308	10	
9	Square bolt (사각 볼트)	350-0309	12	
10	Nut (너트)	350-0310	24	
11	Rod, pin for lift cylinder (주뿔 실린더 핀(로드))	350-0311	2	
12	Horning pipe, pin for tilt cylinder (버킷실린더 핀(호닝관))	350-0312	2	
13	Rod, pin for tilt cylinder (버킷 실린더 핀(로드))	350-0313	2	
14	Pin for pad (패드 핀)	350-0314	2	
15	Lift cylinder RH (오른쪽 주뿔 실린더)	350-0315	1	
16	Lift cylinder LH (왼쪽 주뿔 실린더)	350-0316	1	
17	Tilt cylinder RH (오른쪽 버킷 실린더)	350-0317	1	
18	Tilt cylinder LH (왼쪽 버킷 실린더)	350-0318	1	
19	Lift arm support device (주뿔 지지대)	350-0319	1	
20	Fixed Pin (고정 핀)	350-0320	1	
21	Snap pin (스냅핀)	350-0321	1	
22	Knob bolt (노브 볼트)	350-0322	2	
23	DU bush (DU 부시)	350-0323	8	
24	Grease nipple (그리스 니플)	350-0324	4	

3. Lift arm (주뿔)



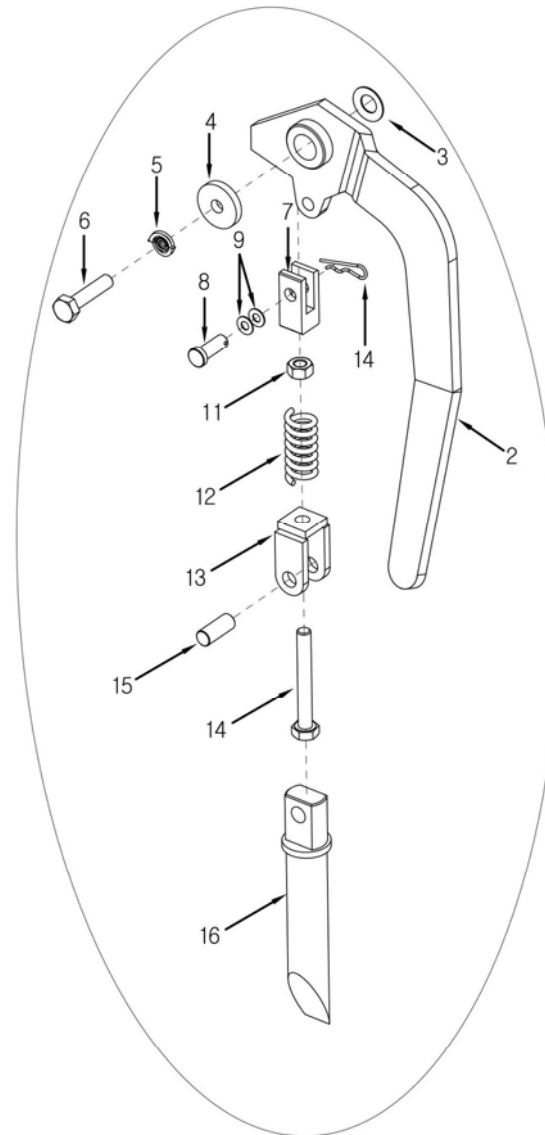
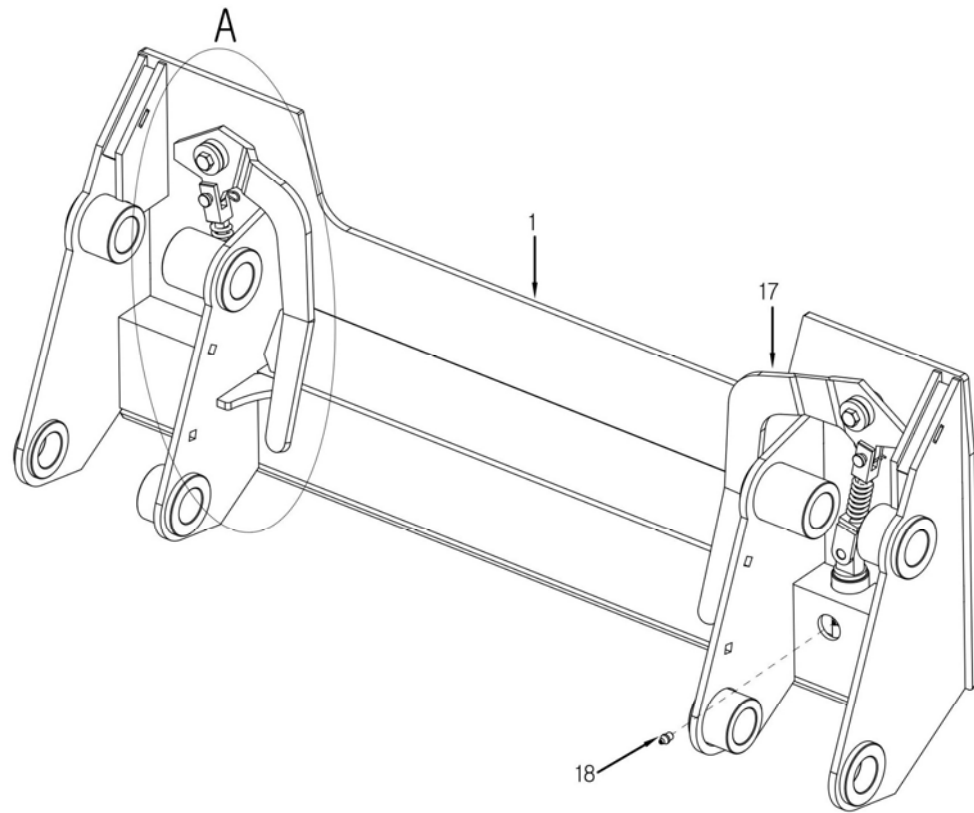
3. Lift arm (주뚸) (Cont'd) (계속)				
No.	Name	Part No.	Quantity	Remarks
25	Cover (커버)	350-0325	2	
26	Washer (와셔)	350-0326	8	
27	Bolt (볼트)	350-0327	8	
28	Bucket ass'y (버켓 조합)	350-0328	1	

3-1. Extended Boom (이단boom)



3-1. Extended Boom (이단붐)				
No.	Name	Part No.	Quantity	Remarks
1	MC Bearing (MC 베어링)	350-0329	8	
2	Spacing Plate, Outside (간격판 외측)	350-0330	4	
3	Press Plate, Outside (누름판, 외측)	350-0331	4	
4	Bolt (볼트)	350-0332	48	
5	Grease nipple(그리스 니플)	350-0333	8	
6	Nut (너트)	350-0334	8	
7	Stripper Bolt(무드볼트)	350-0335	8	
8	Stud type track roller bearing (스터드 트랙 롤러 베어링)	350-0336	24	
9	Nut (너트)	350-0337	24	
10	Snap Ring (스냅링)	350-0338	8	
11	Fixed Pin S for Extended cylinder (이단붐용 실린더 핀 S)	350-0339	2	
12	Fixed Pin S for Extended cylinder (이단붐용 실린더 핀 R)	350-0340	2	
13	Bolt (볼트)	350-0341	4	
14	Bearing Cover (베어링 커버)	350-0342	2	
15	Press Plate, inside (누름판, 내측)	350-0343	4	
16	Aux. cover RH (보조 커버(RH))	350-0344	1	
17	Bolt (볼트)	350-0345	4	

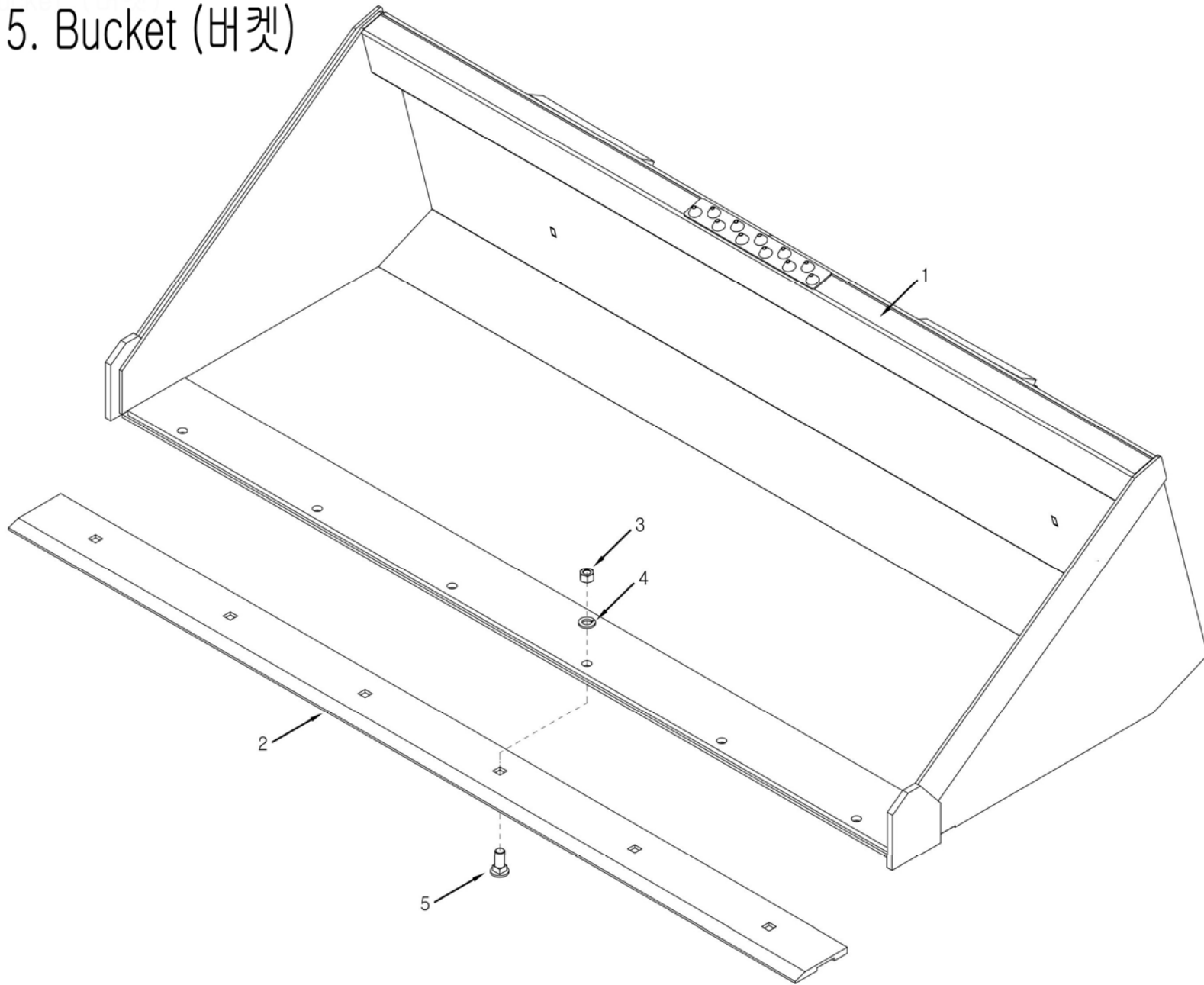
4. Quick tach pad (퀵 태치 패드)



A부분 상세도

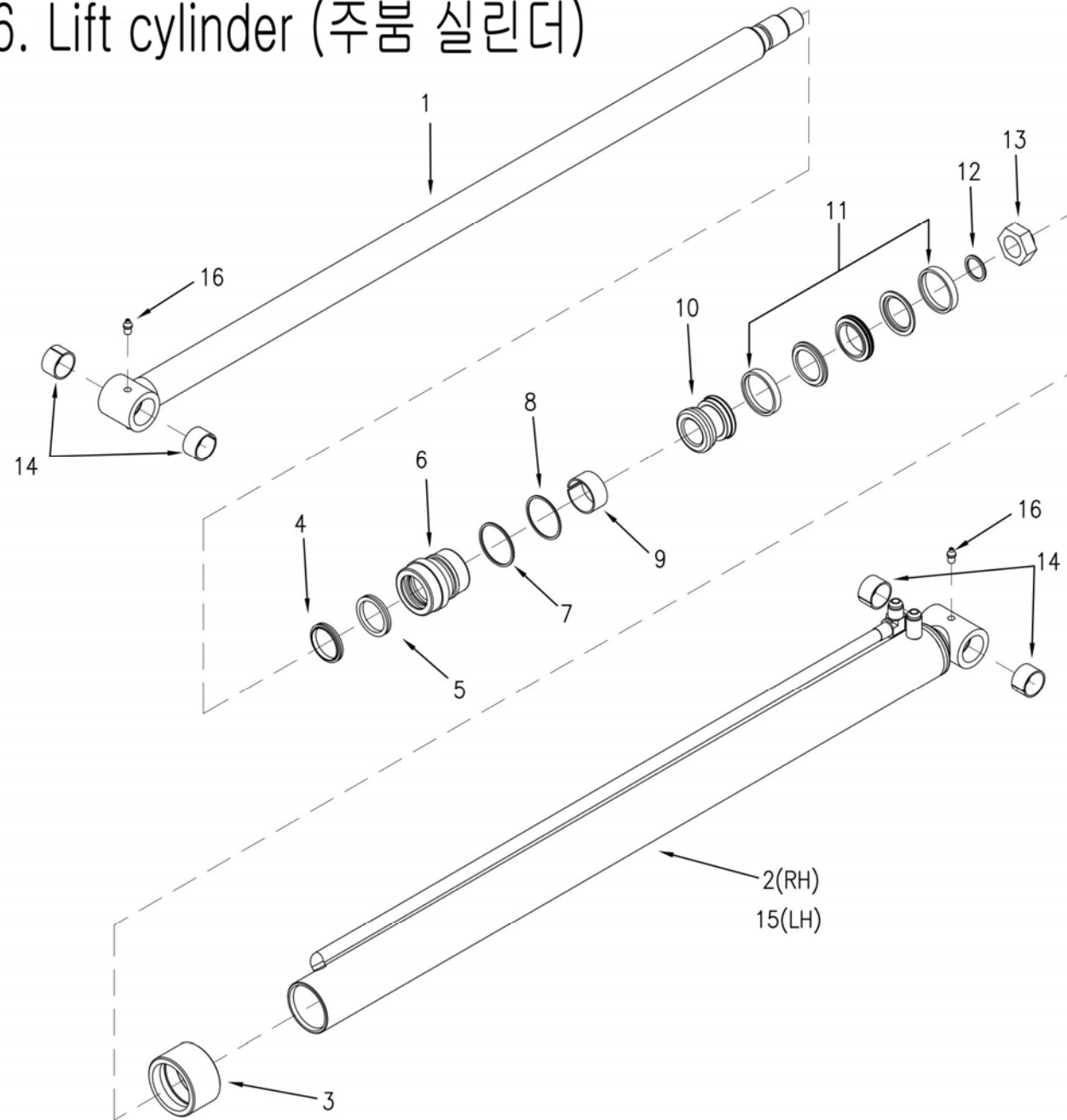
4. Quick tach pad (퀵 태치 패드)				
No.	Name	Part No.	Quantity	Remarks
1	Pad ass'y (패드조합)	350-0401	1	
2	Handle LH (손잡이 왼쪽)	350-0402	1	
3	Belleville washer (접시 스프링 와셔)	350-0403	2	
4	Washer (와셔)	350-0404	2	
5	Spring washer (스프링 와셔)	350-0405	2	
6	Bolt (볼트)	350-0406	2	
7	Coupling box (연결함)	350-0407	2	
8	Fixed pin (고정 핀)	350-0408	2	
9	Washer (와셔)	350-0409	4	
10	Snap pin (스냅 핀)	350-0410	2	
11	Nut (너트)	350-0411	2	
12	Spring (스프링)	350-0412	2	
13	Coupling box (연결함)	350-0413	2	
14	Bolt (볼트)	350-0414	2	
15	Fixed pin (고정 핀)	350-0415	2	
16	Pin (잠금 핀)	350-0416	2	
17	Handle RH (손잡이 오른쪽)	350-0417	1	
18	Grease nipple (그리스 니플)	350-0418	2	

5. Bucket (버킷)



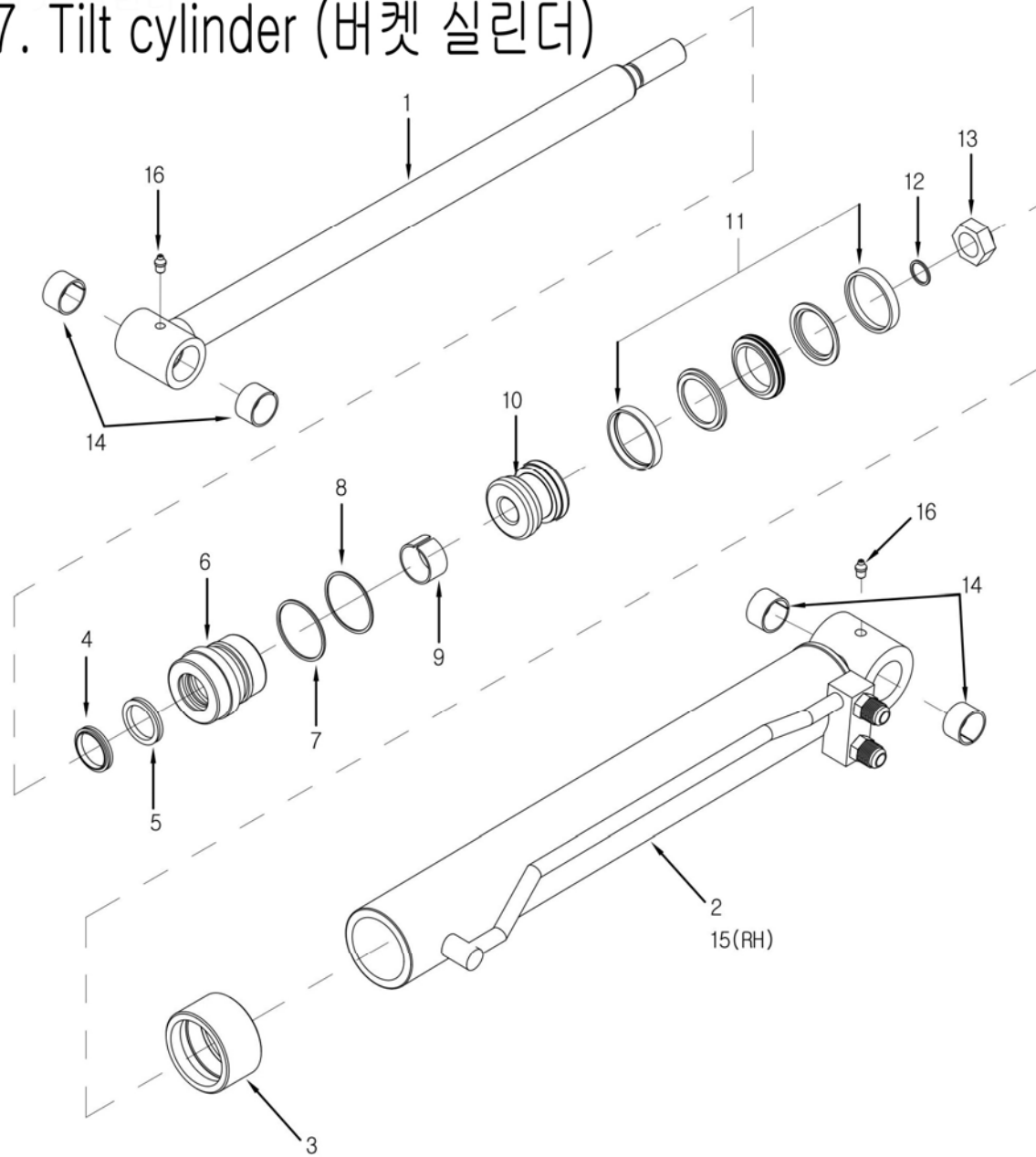
5. Bucket (버킷)				
No.	Name	Part No.	Quantity	Remarks
1	Bucket (버킷)	350-0501	1	
2	Blade (버킷 날)	350-0502	1	
3	Nut (너트)	350-0503	12	
4	Spring washer (스프링 와셔)	350-0504	12	
5	Square bolt (사각 볼트)	350-0505	12	

6. Lift cylinder (주분 실린더)



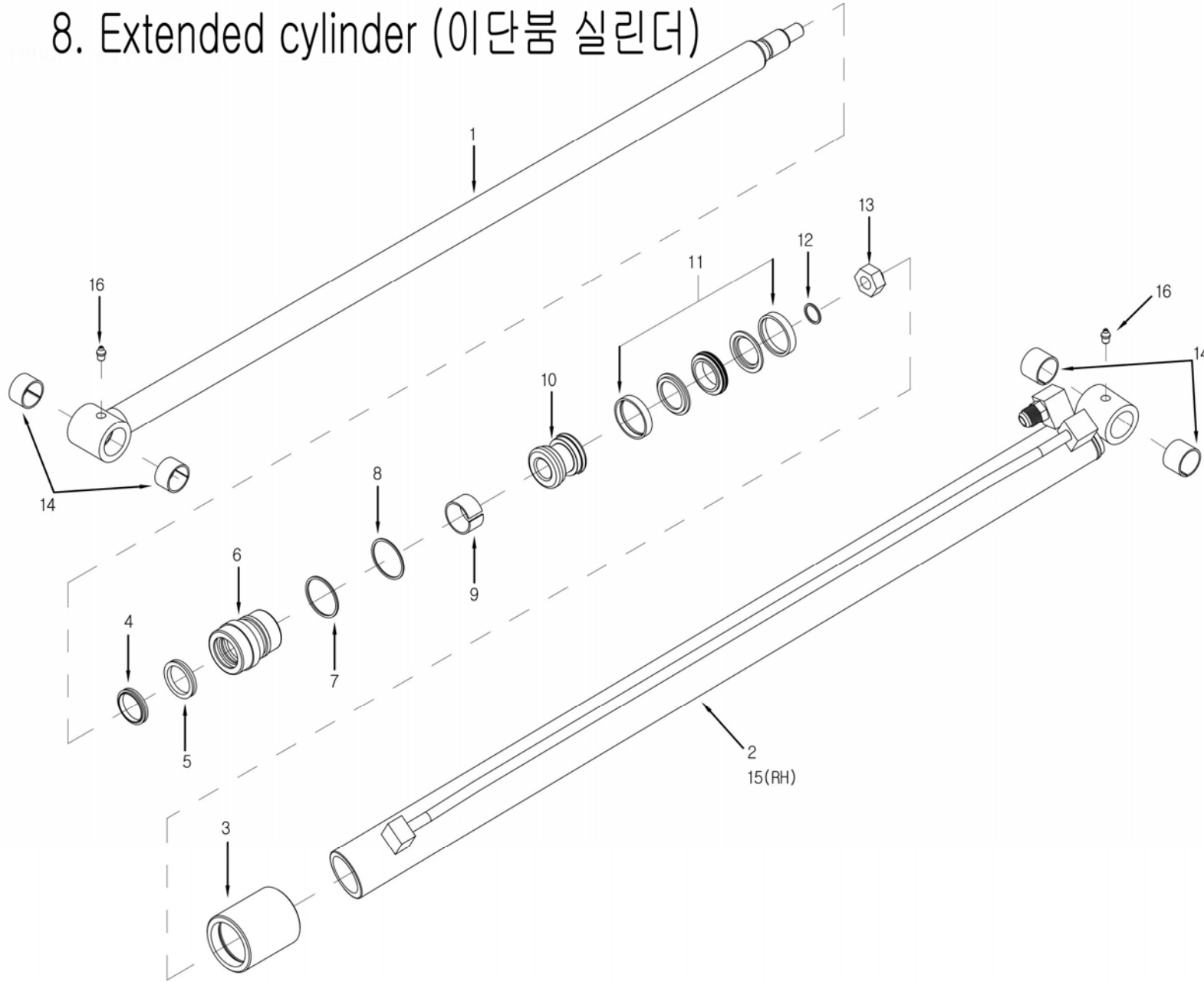
6. Lift cylinder (주뿔 실린더)				
No.	Name	Part No.	Quantity	Remarks
1	Rod (로드)	350-0601	1	
2	Honing pipe RH (호닝 관 RH)	350-0602	1	
3	Cap Nut (캡너트)	350-0603	1	
4	Dust seal (더스트 씬)	350-0604	1	
5	Rod seal (로드 씬)	350-0605	1	
6	Gland (그랜드)	350-0606	1	
7	O-ring (오 링)	350-0607	1	
8	Back-up ring (백업링)	350-0608	1	
9	DU bush (DU 부시)	350-0609	1	
10	Piston(피스톤)	350-0610	1	
11	Compact seal (콤팩트 씬)	350-0611	1	
12	O-ring (오 링)	350-0612	1	
13	Nut (너트)	350-0613	1	
14	DU bearing (DU 베어링)	350-0614	4	
15	Honing pipe LH (호닝 관 LH)	350-0615	1	
16	Grease nipple (그리스니뿔)	350-0616	2	

7. Tilt cylinder (버킷 실린더)



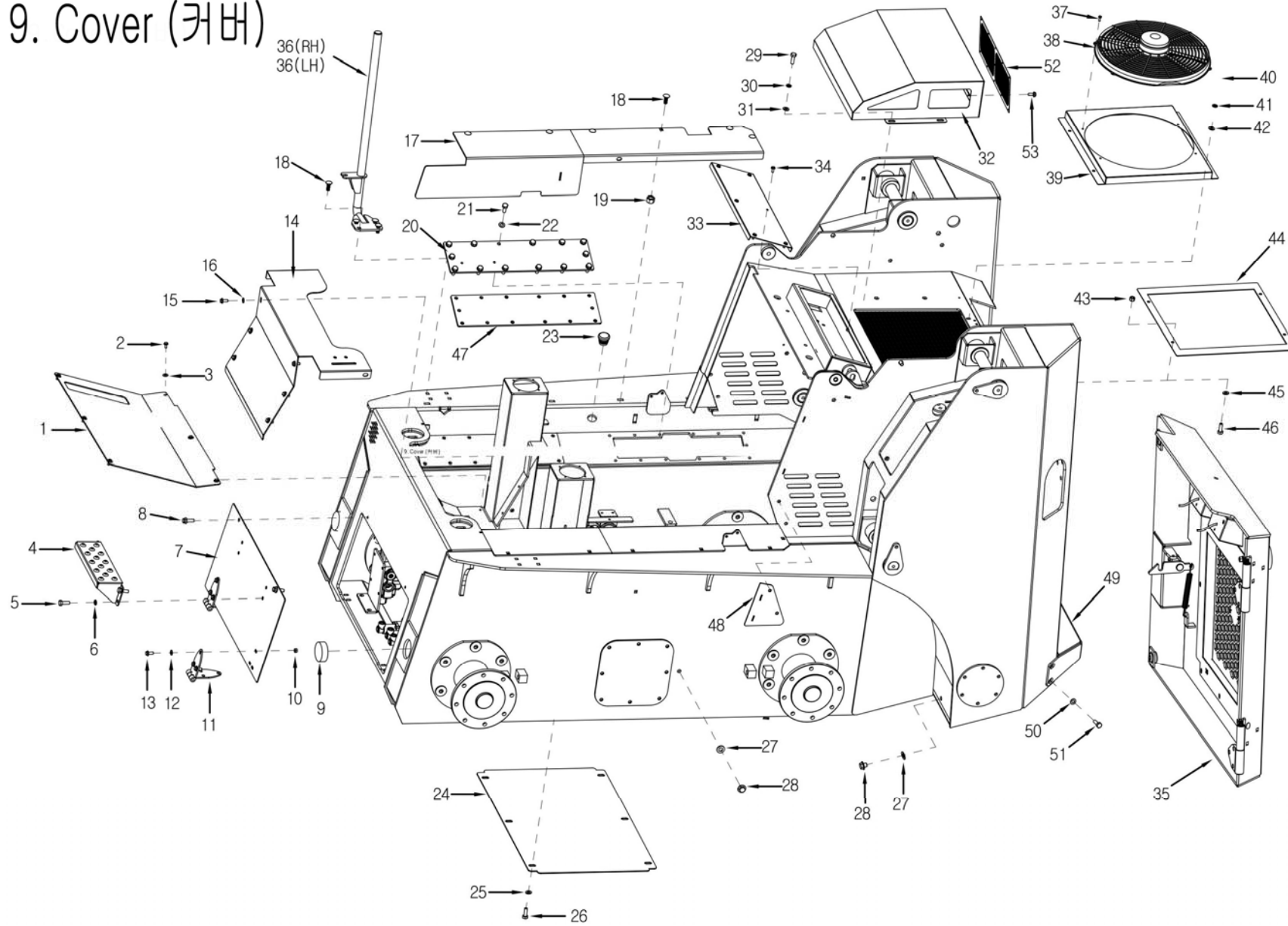
7. Tilt cylinder (버킷 실린더)				
No.	Name	Part No.	Quantity	Remarks
1	Rod (로드)	350-0701	1	
2	Honing pipe LH (호닝 관 LH)	350-0702	1	
3	Cap Nut (캡 너트)	350-0703	1	
4	Dust seal (더스트 씬)	350-0704	1	
5	Rod seal (로드 씬)	350-0705	1	
6	Gland (그랜드)	350-0706	1	
7	O-ring (오 링)	350-0707	1	
8	Back-up ring (백업 링)	350-0708	1	
9	DU bush (DU 부시)	350-0709	1	
10	Piston (피스톤)	350-0710	1	
11	Compact seal (컴팩트 씬)	350-0711	2	
12	O-ring (오 링)	350-0712	2	
13	Nut (너트)	350-0713	1	
14	DU bearing (DU 베어링)	350-0714	4	
15	Honing pipe RH (호닝 관 RH)	350-0715	1	
16	Grease nipple (그리스 니플)	350-0716	2	

8. Extended cylinder (이단봉 실린더)



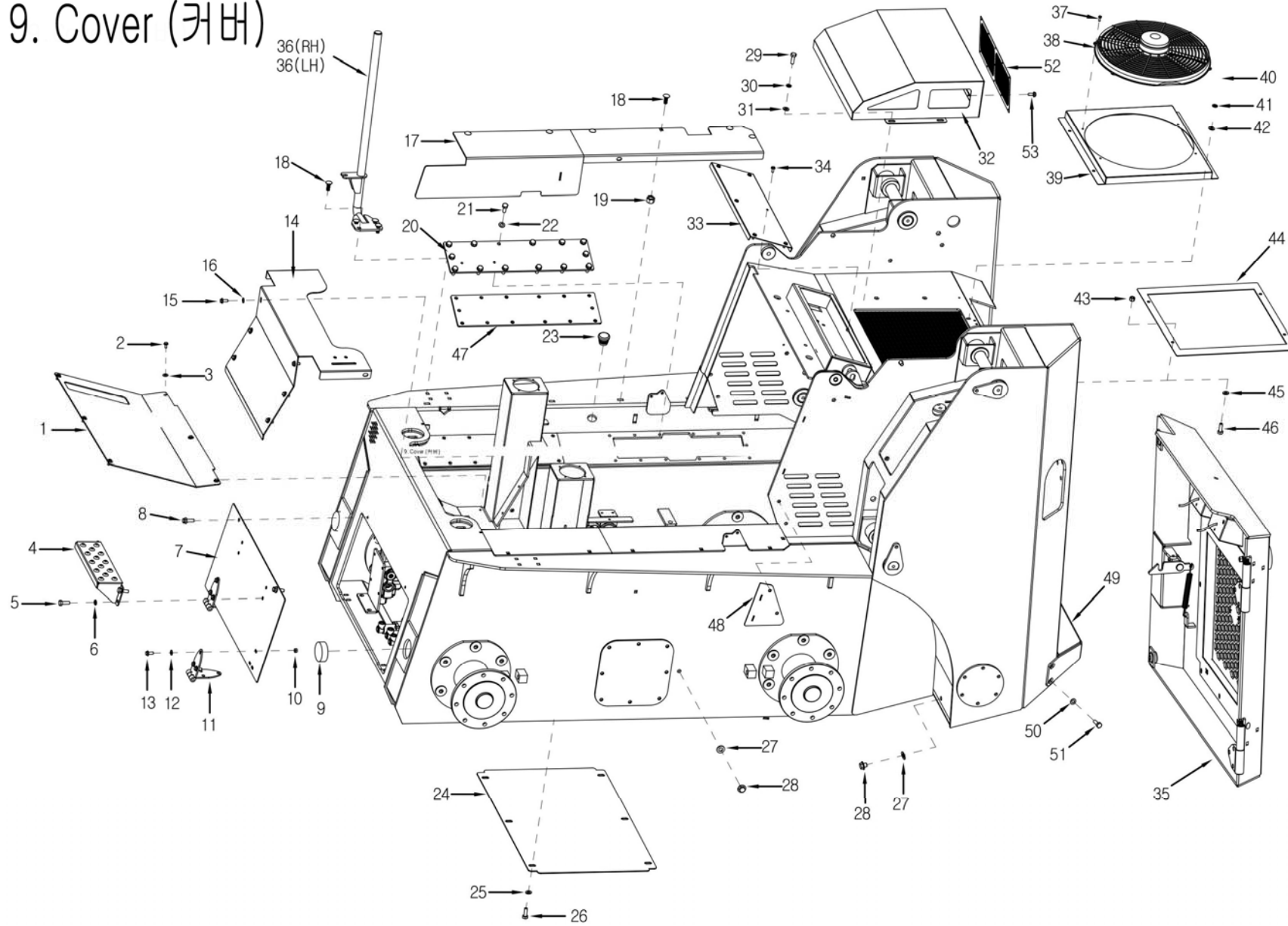
8. Extended cylinder (이단봉 실린더)				
No.	Name	Part No.	Quantity	Remarks
1	Rod (로드)	350-0801	1	
2	Honing pipe LH (호닝 관 LH)	350-0802	1	
3	Cap Nut (캡 너트)	350-0803	1	
4	Dust seal (더스트 씬)	350-0804	1	
5	Rod seal (로드 씬)	350-0805	1	
6	Gland (그랜드)	350-0806	1	
7	O-ring (오 링)	350-0807	1	
8	Back-up ring (백업 링)	350-0808	1	
9	DU bush (DU 부시)	350-0809	1	
10	Piston (피스톤)	350-0810	1	
11	Compact seal (컴팩트 씬)	350-0811	2	
12	O-ring (오 링)	350-0812	2	
13	Nut (너트)	350-0813	1	
14	DU bearing (DU 베어링)	350-0814	4	
15	Honing pipe RH (호닝 관 RH)	350-0815	1	
16	Grease nipple (그리스 니플)	350-0816	2	

9. Cover (커버)



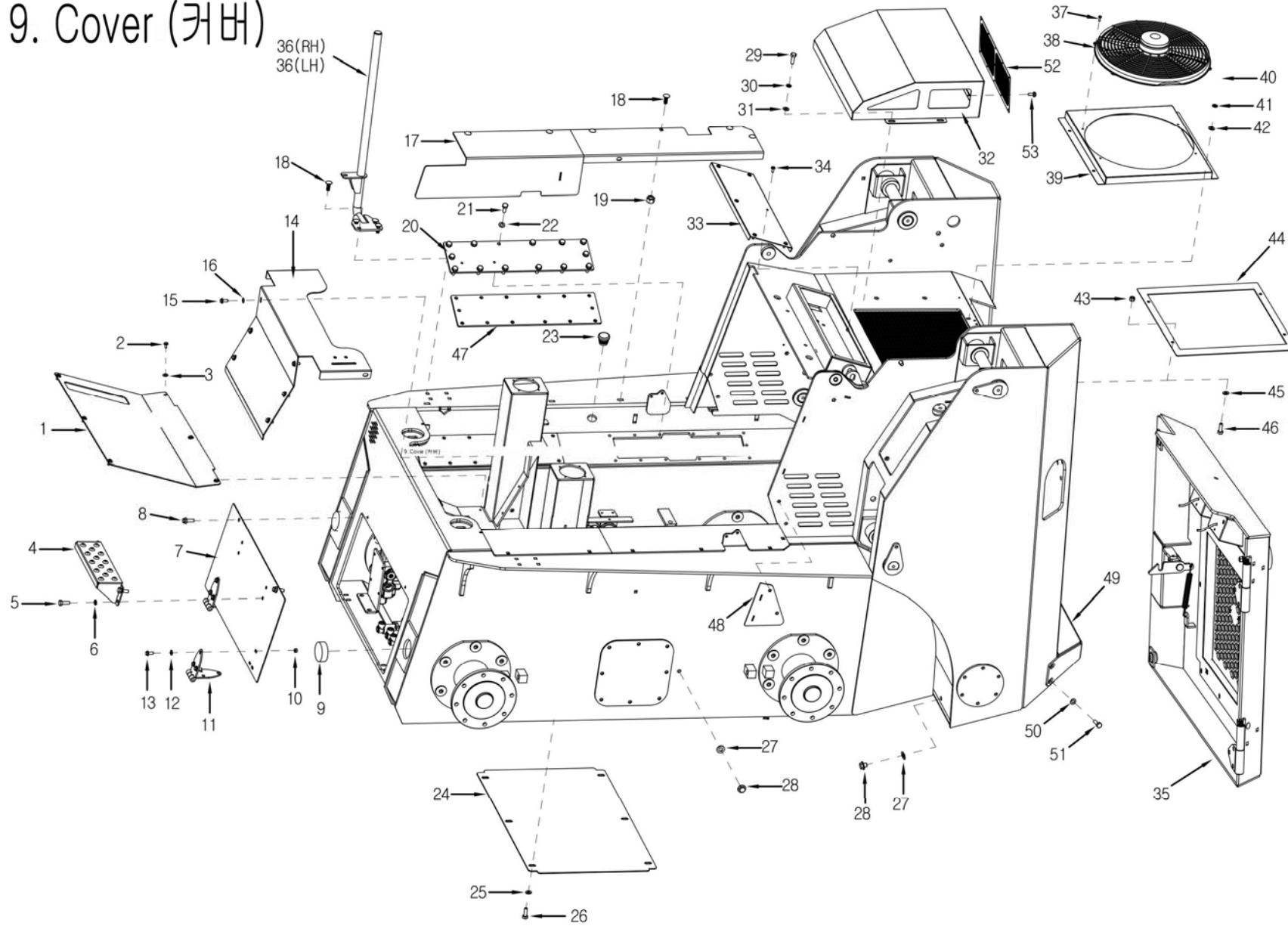
9. Cover (커버)				
No.	Name	Part No.	Quantity	Remarks
1	Foot board (발판)	350-0901	1	
2	Bolt (볼트)	350-0902	6	
3	Washer (와셔)	350-0903	6	
4	Foot board (발 받침대)	350-0904	1	
5	Bolt (볼트)	350-0905	2	
6	Spring Washer (스프링 와셔)	350-0906	2	
7	Front cover (앞쪽 커버)	350-0907	1	
8	Bolt (볼트)	350-0908	2	
9	Rubber mount (고무 받침대)	350-0909	2	
10	Nut (너트)	350-0910	12	
11	Hinge (힌지)	350-0911	2	
12	Washer (와셔)	350-0912	12	
13	Bolt (볼트)	350-0913	12	
14	Middle Cover(중간 커버)	350-0914	1	
15	Bolt (볼트)	350-0915	6	
16	Washer (와셔)	350-0916	6	
17	Side cover ass'y (사이드 커버 조합)	350-0917	2	
18	Square bolt (사각 볼트)	350-0918	20	
19	Nut (너트)	350-0919	12	
20	Cover, rear chain case (뒤쪽 체인 케이스 커버)	350-0920	2	
21	Bolt (볼트)	350-0921	56	
22	Spring washer (스프링 와셔)	350-0922	56	
23	Cap(마개)	350-0923	2	
24	Deck Plate (바닥판)	350-0924	1	
25	Washer (와셔)	350-0925	6	

9. Cover (커버)



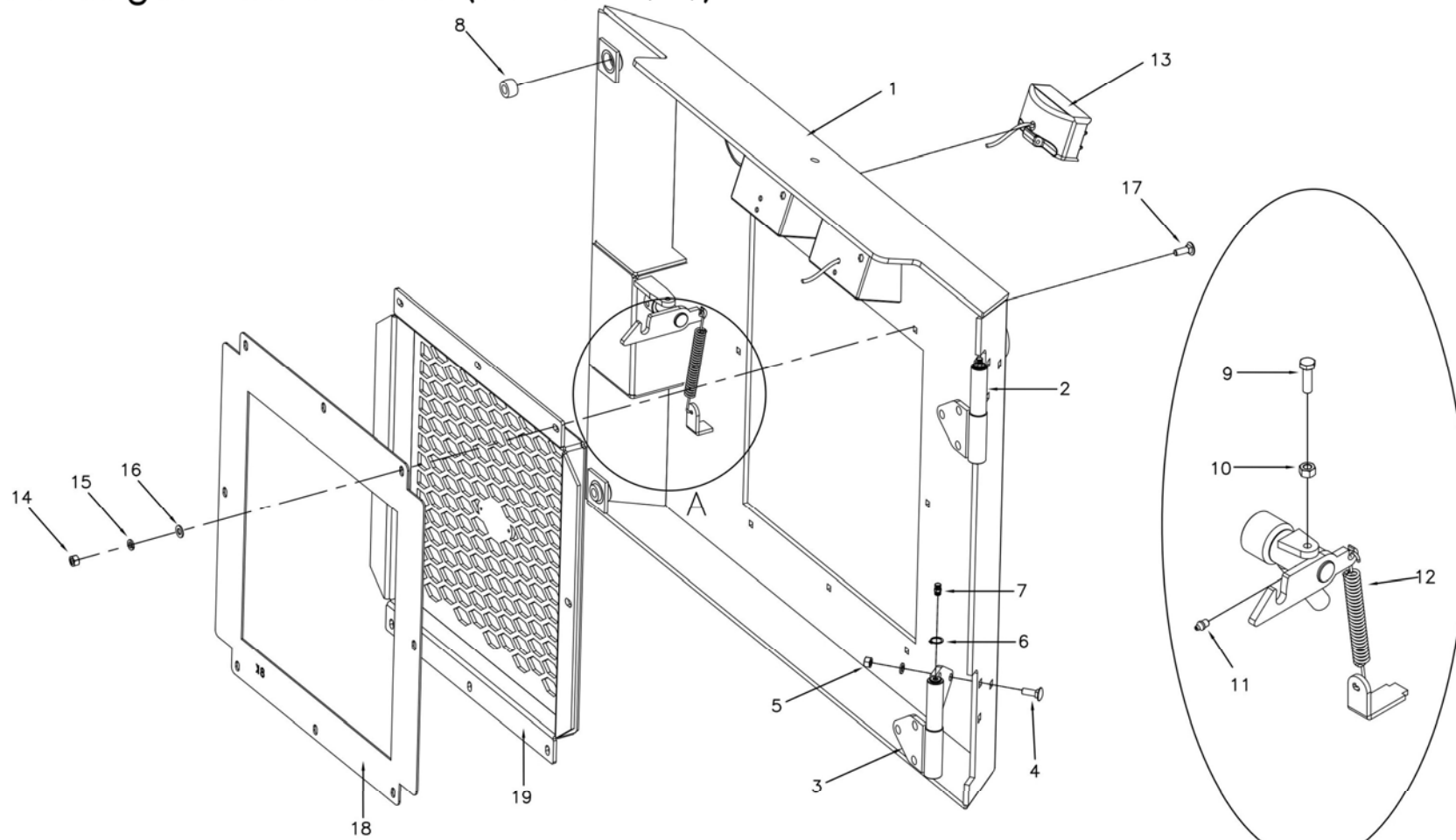
9. Cover (커버) (Cont'd) (계속)				
No.	Name	Part No.	Quantity	Remarks
26	Bolt (볼트)	350-0926	6	
27	Bonded seal (본딩 씬)	350-0927	6	
28	Drain bolt (퇴유볼트)	350-0928	6	
29	Bolt (볼트)	350-0929	4	
30	Spring washer (스프링 와셔)	350-0930	4	
31	Washer (와셔)	350-0931	4	
32	Cover for cooler (쿨러커버)	350-0932	1	
33	Cover for electric (전기 장치 커버)	350-0933	1	
34	Bolt (볼트)	350-0934	6	
35	Engine room cover ass'y (엔진룸 커버 조합)	350-0935	1	
36	Side mirror ass'y (사이드 미러 고정 조합)	350-0936	2	
37	Bolt (볼트)	350-0937	4	
38	Oil Cooler Ass'y (오일쿨러조합)	350-0938	1	
39	Fixed plate for oil cooler ass'y (오일쿨러 고정판)	350-0939	1	
40	Bolt (볼트)	350-0940	4	
41	Spring washer (스프링 와셔)	350-0941	4	
42	Washer (와셔)	350-0942	4	
43	Nut (너트)	350-0943	4	
44	Fixed plate for condensor (콘덴샤 고정판)	350-0944	1	
45	Washer (와셔)	350-0945	4	
46	Bolt (볼트)	350-0946	4	
47	Cover, front chain case (앞쪽 체인케이스커버)	350-0947	2	
48	Side cover LH/RH, main body (메인바 사이드커버(LH,RH))	350-0948	2	
49	Bumper (범퍼)	350-0949	1	
50	Washer (와셔)	350-0950	4	

9. Cover (커버)



9. Cover (커버) (Cont'd) (계속)				
No.	Name	Part No.	Quantity	Remarks
51	Bolt (볼트)	350-0951	4	
52	Mesh net (타공망)	350-0952	1	
53	Piece (피스)	350-0953	11	

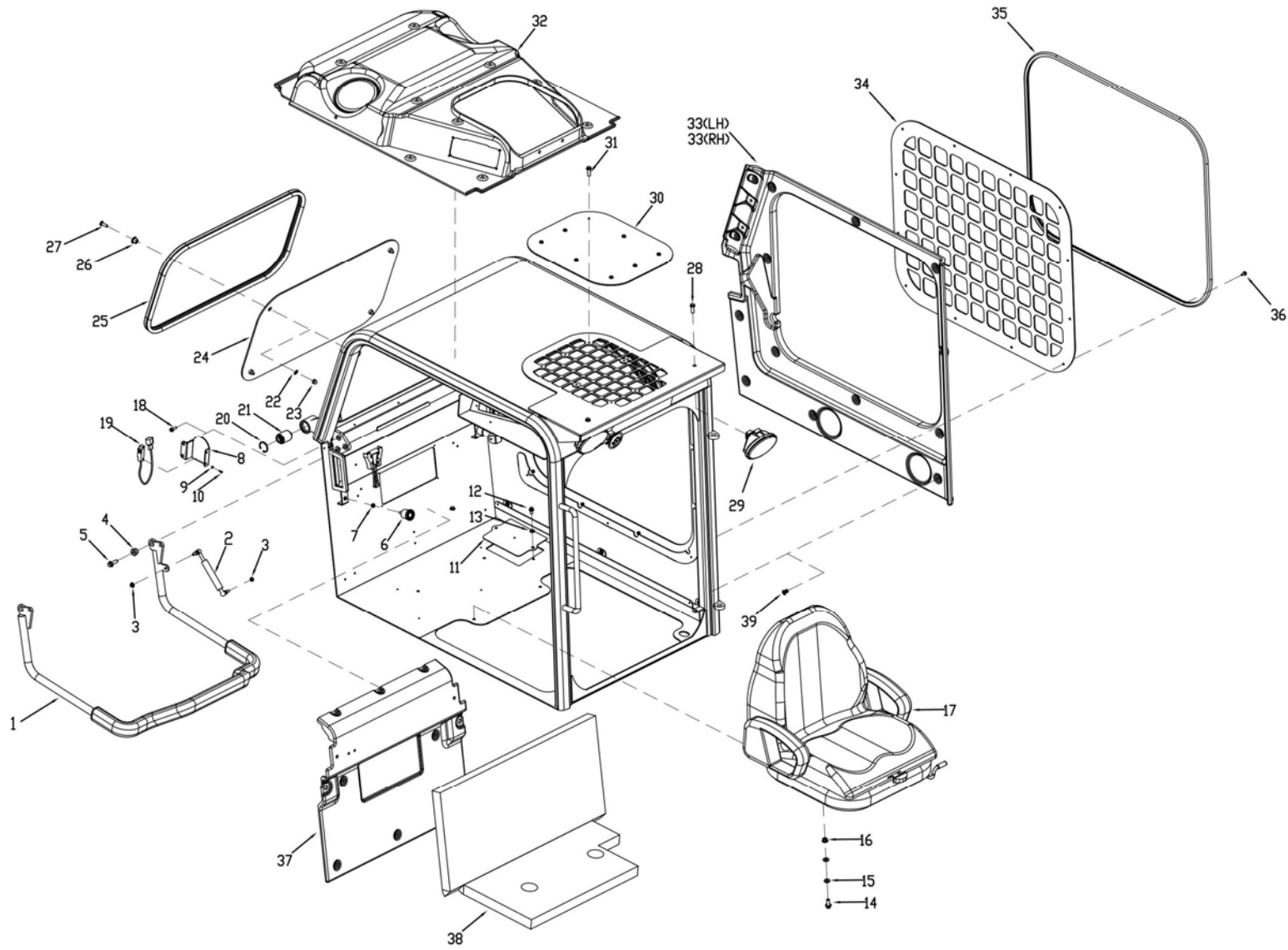
10. Engine room cover (엔진룸 커버)



A 부분 상세도

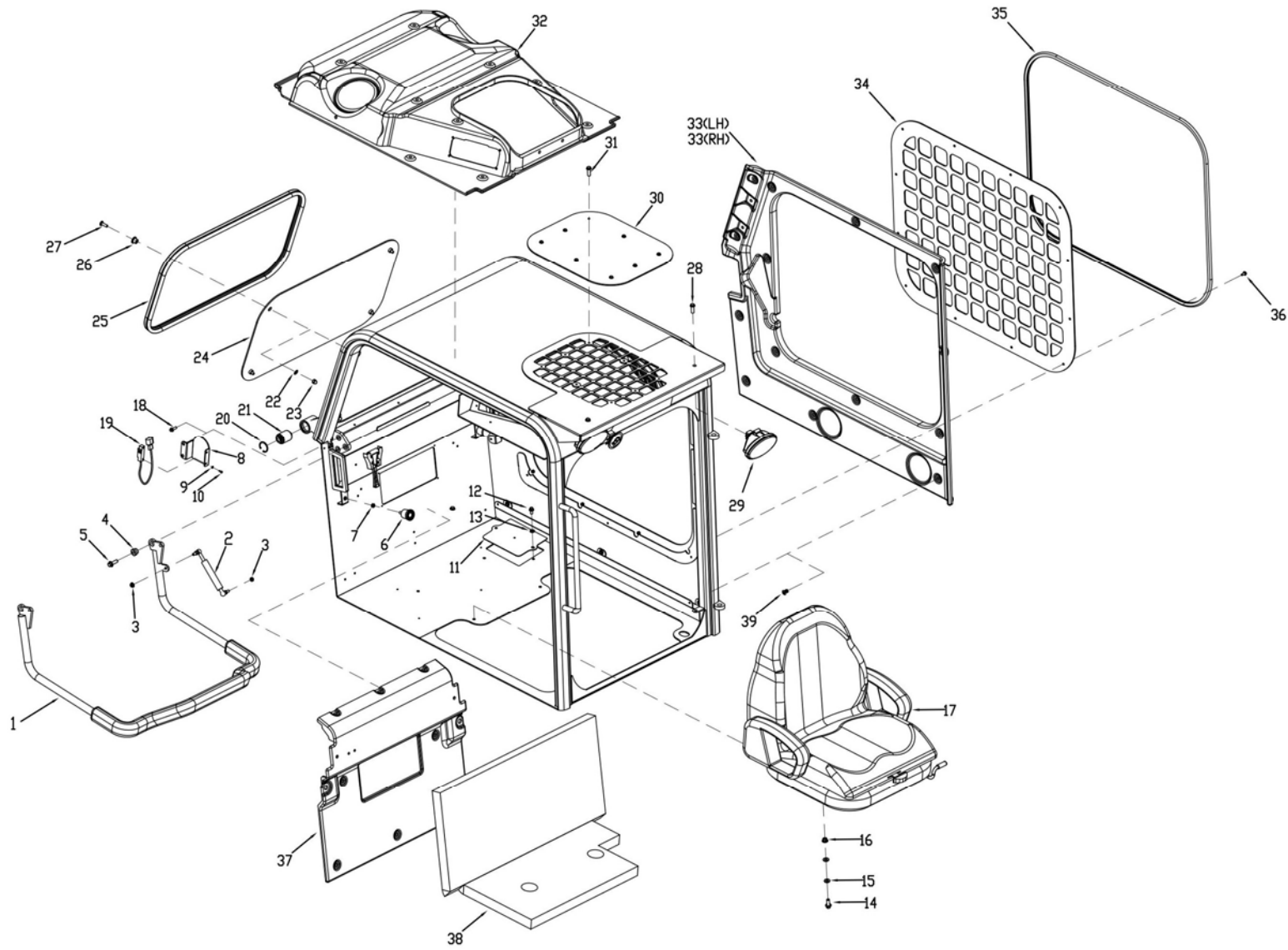
10. Engine room cover (엔진룸 커버)				
No.	Name	Part No.	Quantity	Remarks
1	Engine room cover (엔진 룸 커버)	350-1001	1	
2	Hinge shaft (힌지 축)	350-1002	2	
3	Hinge socket (힌지 소켓)	350-1003	2	
4	Square head bolt (사각머리볼트)	350-1004	6	
5	Nut (너트)	350-1005	6	
6	Snap ring (스냅링)	350-1006	2	
7	Grease nipple (그리스 니플)	350-1007	2	
8	Rubber mount(고무 받침)	350-1008	2	
9	Adjusting bolt(조정 볼트)	350-1009	1	
10	Nut (너트)	350-1010	1	
11	Grease nipple (그리스 니플)	350-1011	1	
12	Spring(스프링)	350-1012	1	
13	Light(전조등)	350-1013	2	
14	Nut (너트)	350-1014	8	
15	Spring Washer(스프링 와셔)	350-1015	8	
16	Washer(와셔)	350-1016	8	
17	Square head bolt (사각머리볼트)	350-1017	8	
18	Auxiliary cover (보조 커버)	350-1018	1	
19	Guide (가이드)	350-1019	1	
20	Bracket for number plate (번호판 브라켓)	350-1020	1	

11. Operator cab (안전탑)-기본형



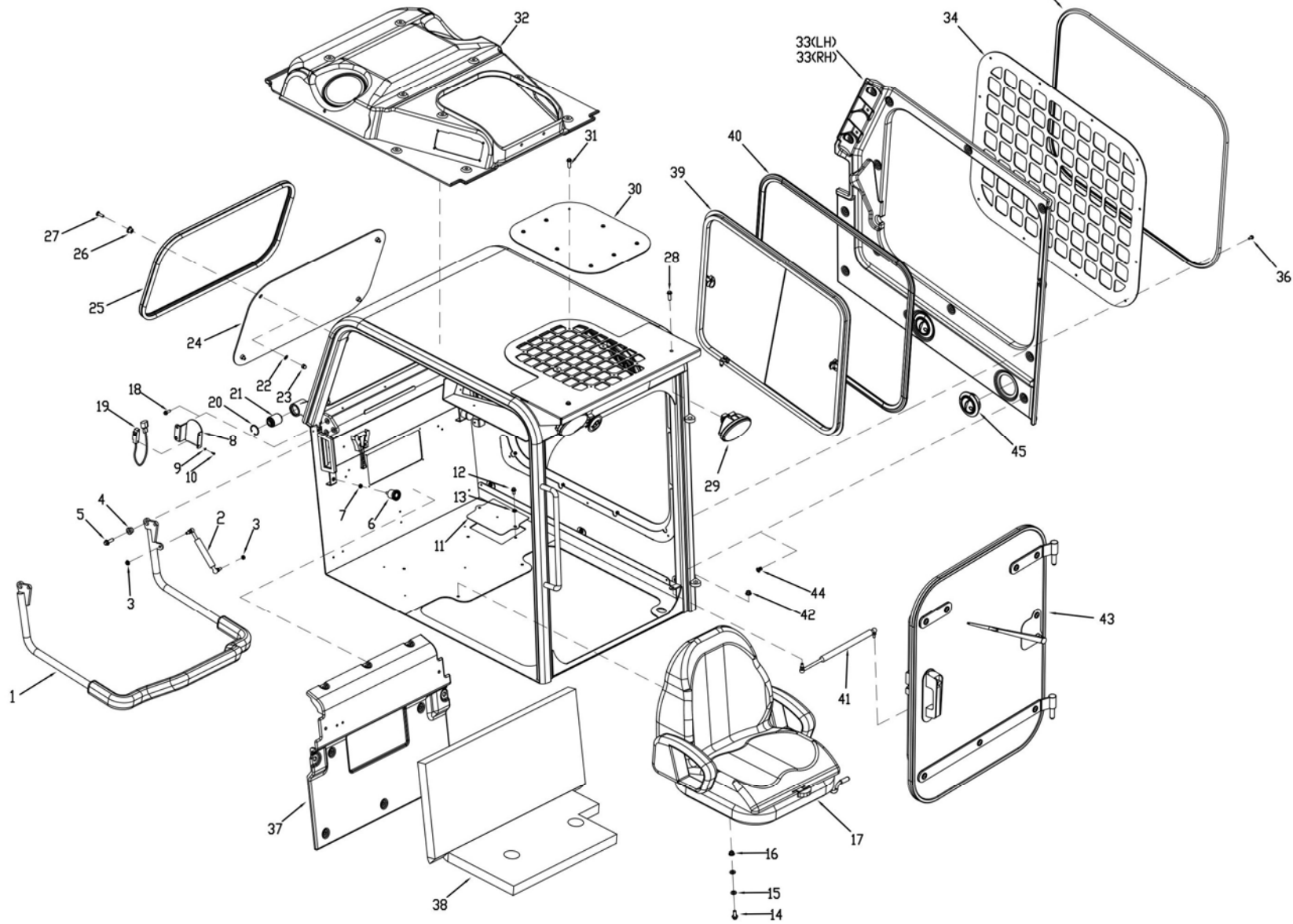
11. Operator cab (안전탑)-기본형				
No.	Name	Part No.	Quantity	Remarks
1	Safety bar (안전바)	350-1101	1	
2	Gas-shock absorber (가스 쇼버)	350-1102	1	
3	Lock Nut (락너트)	350-1103	2	
4	Fixed bush (고정 부시)	350-1104	2	
5	Bolt (볼트)	350-1105	4	
6	Rubber mount for safety bar (안전바용 고무받침)	350-1106	2	
7	Nut (너트)	350-1107	3	
8	Cover for safety bar LH/RH (안전바 커버(LH,RH))	350-1108	2	
9	Washer (와셔)	350-1109	4	
10	Bolt (볼트)	350-1110	2	
11	Fuse box cover(퓨즈박스 커버)	350-1111	1	
12	Bolt (볼트)	350-1112	10	
13	Washer (와셔)	350-1113	11	
14	Bolt (볼트)	350-1114	4	
15	Washer (와셔)	350-1115	8	
16	Nut (너트)	350-1116	4	
17	Seat (시트)	350-1117	1	
18	Bolt (볼트)	350-1118	4	
19	Proximity sensor (근접센서)	350-1119	1	
20	Snap ring (스냅링)	350-1120	4	
21	Rubber mount for operator cab (안전탑용 고무)	350-1121	2	
22	Washer (와셔)	350-1122	4	
23	Nut (너트)	350-1123	4	
24	Rear glass (뒤쪽 창)	350-1124	1	
25	Molding rubber (몰딩 고무)	350-1125	1	

11. Operator cab (안전탑)-기본형



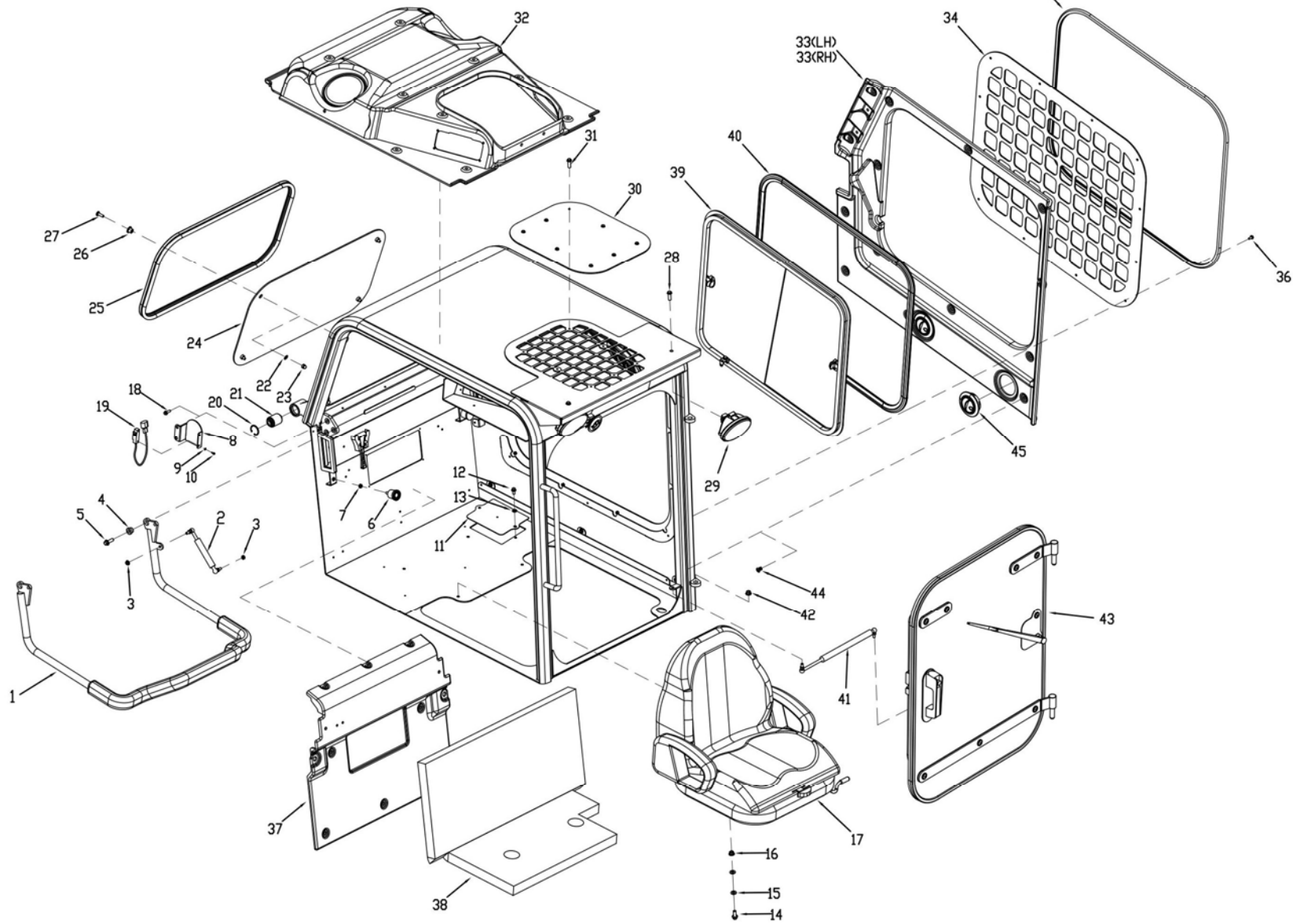
11. Operator cab (안전탑)-기본형 (Cont'd) (계속)				
No.	Name	Part No.	Quantity	Remarks
26	MC bushing (MC 부상)	350-1126	4	
27	Bolt (볼트)	350-1127	4	
28	Bolt (볼트)	350-1128	2	
29	Light(라이트)	350-1129	2	
30	Upper glass(위쪽 창)	350-1130	1	
31	Bolt (볼트)	350-1131	8	
32	Upper interior material (위쪽 내장재)	350-1132	1	
33	Side interior material (왼쪽 내장재)	350-1133	2	
34	Safeguard Net(보호망)	350-1134	2	
35	Side Molding rubber (몰딩 고무)	350-1135	2	
36	Bolt (볼트)	350-1136	24	
37	Rear interior material (뒤쪽 내장재)	350-1137	1	
38	Soundproof plate (방음판)	350-1138	1	
39	Bolt for interior materials (내장재 고정볼트)	350-1139	55	
40	Bracket I for interior materials (내장재 브라켓 I)	350-1140	2	
41	Bracket II for interior materials (내장재 브라켓 II)	350-1141	2	
42	Bracket III for interior materials (내장재 브라켓 III)	350-1142	2	
43	Bolt (볼트)	350-1143	14	
44	Rear aux. cover (뒷판 보조커버)	350-1144	1	
45	Rear cover (뒷판 커버)	350-1145	1	
46	Bolt (볼트)	350-1146	8	
47	Cover for wiring harness (배선 커버)	350-1147	1	
48	Washer (와셔)	350-1148	2	
49	Bolt (볼트)	350-1149	2	

11-1. Operator cab, Cabin enclosure (안전탑 캐빈형)³⁵



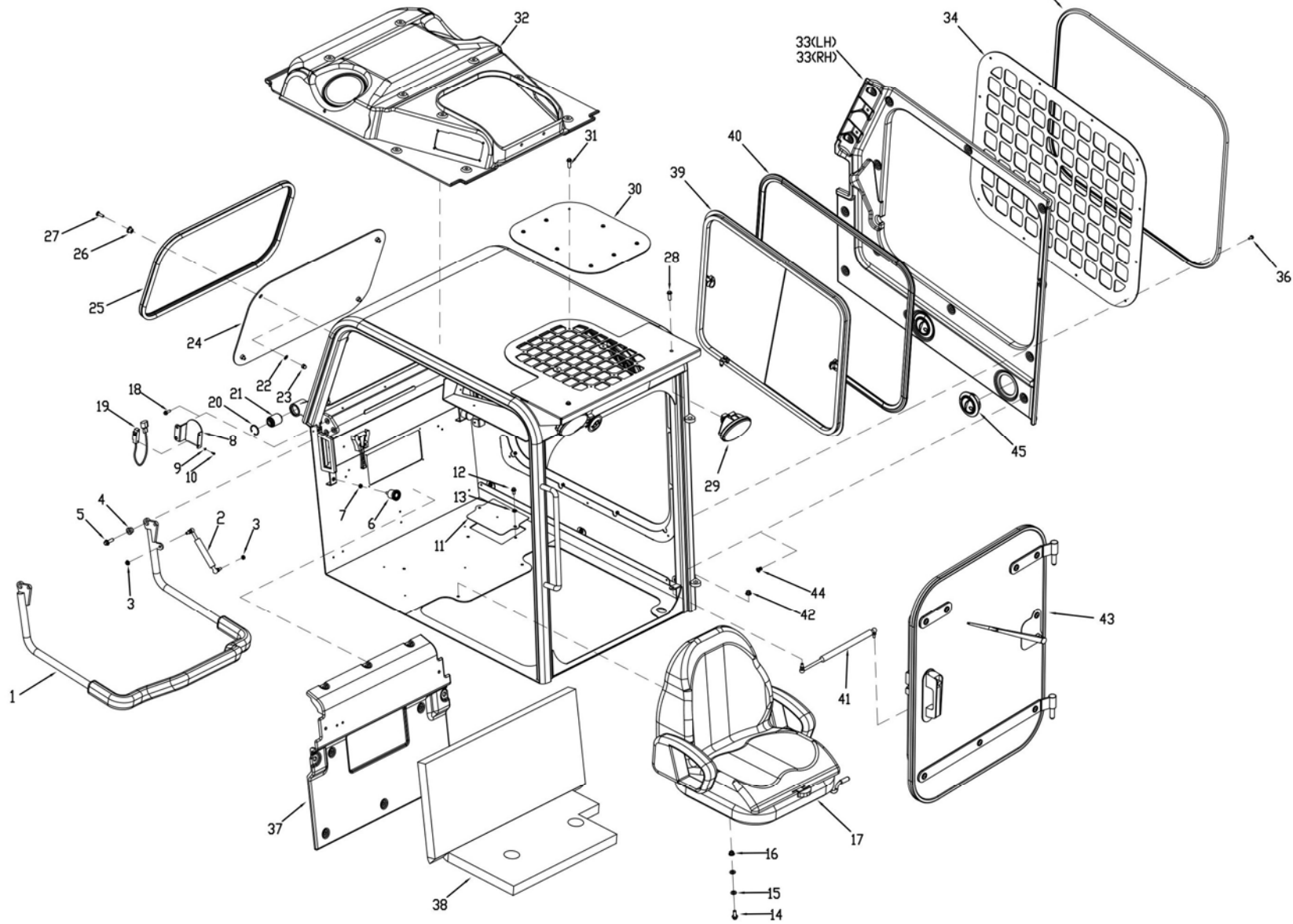
11-1. Operator cab, Cabin enclosure (안전탑 캐빈형)				
No.	Name	Part No.	Quantity	Remarks
1	Safety bar (안전바)	350-1101	1	
2	Gas-shock absorber (가스 쇼버)	350-1102	1	
3	Lock Nut (락너트)	350-1103	2	
4	Fixed bush (고정 부시)	350-1104	2	
5	Bolt (볼트)	350-1105	4	
6	Rubber mount for safety bar (안전바용 고무받침)	350-1106	2	
7	Nut (너트)	350-1107	3	
8	Cover LH (커버 LH)	350-1108	1	
9	Washer (와셔)	350-1109	4	
10	Bolt (볼트)	350-1110	2	
11	Fuse box cover (퓨즈박스 커버)	350-1111	1	
12	Bolt (볼트)	350-1112	10	
13	Washer (와셔)	350-1113	11	
14	Bolt (볼트)	350-1114	4	
15	Washer (와셔)	350-1115	8	
16	Nut (너트)	350-1116	4	
17	Seat(시트)	350-1117	1	
18	Bolt (볼트)	350-1118	4	
19	Proximity sensor (근접센서)	350-1119	1	
20	Snap ring (스냅링)	350-1120	4	
21	Rubber mount for operator cab (안전탑용 고무)	350-1121	2	
22	Washer (와셔)	350-1122	4	
23	Nut (너트)	350-1123	4	
24	Rear glass (뒤쪽 창)	350-1124	1	
25	Molding rubber (몰딩 고무)	350-1125	1	

11-1. Operator cab, Cabin enclosure (안전탑 캐빈형)³⁵



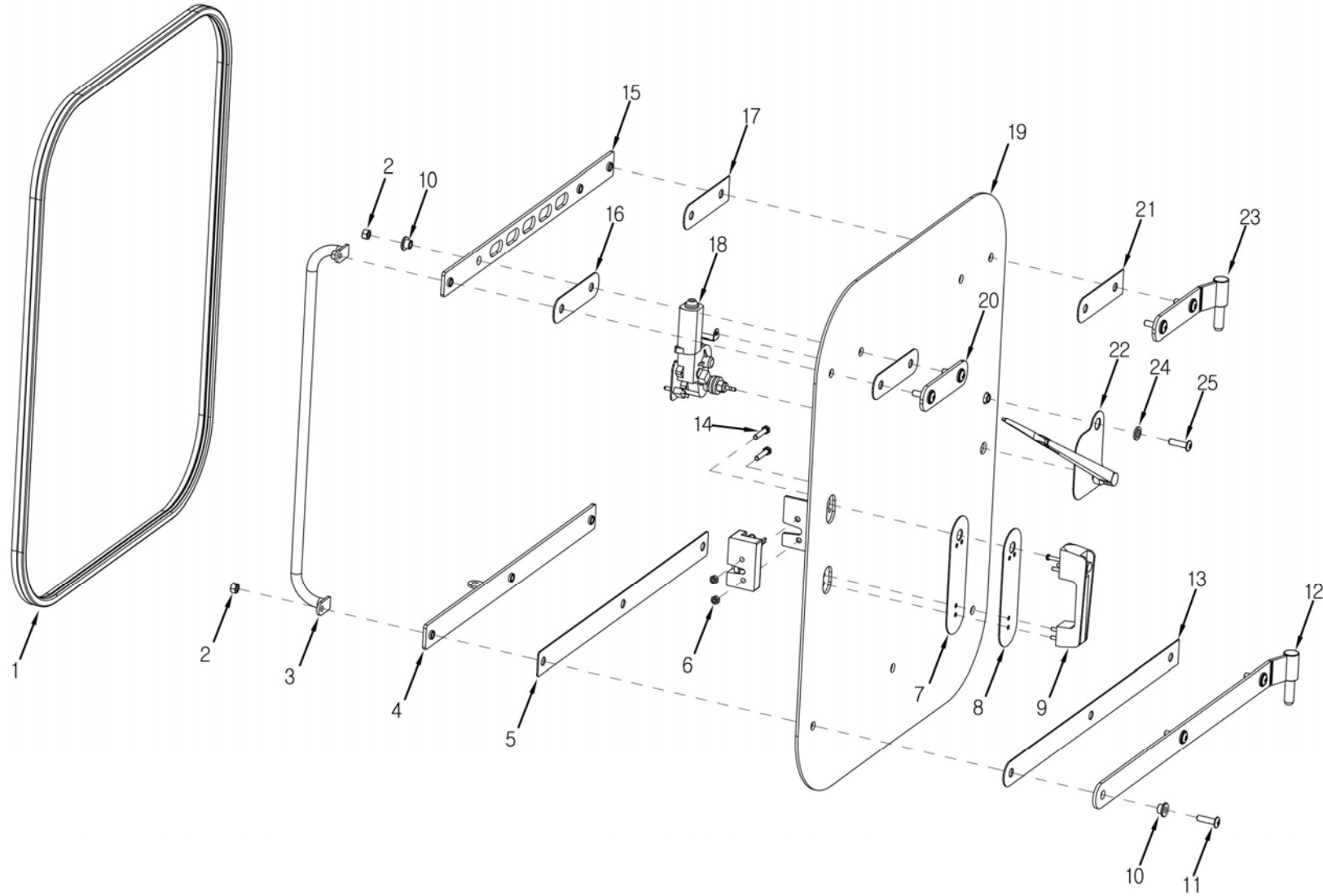
11-1. Operator cab, Cabin enclosure (안전탑 캐빈형) (Cont'd) (계속)				
No.	Name	Part No.	Quantity	Remarks
26	MC bushing (MC 부상)	350-1126	4	
27	Bolt (볼트)	350-1127	4	
28	Bolt (볼트)	350-1128	2	
29	Light(라이트)	350-1129	2	
30	Upper glass (위쪽 창)	350-1130	1	
31	Bolt (볼트)	350-1131	8	
32	Upper interior material (위쪽 내장재)	350-1132-1	1	
33	Side interior material (측면 내장재, LH, RH)	350-1133-1	2	
34	Safeguard Net (보호망)	350-1134	2	
35	Side molding rubber(측면 몰딩 고무)	350-1135	2	
36	Bolt (볼트)	350-1136	24	
37	Rear interior material(뒤쪽 내장재)	350-1137	1	
38	Soundproof plate (방음판)	350-1138	1	
39	Side window ass'y LH, RH (왼쪽, 오른쪽 옆 창문 조합)	350-1150	2	
40	Molding rubber (몰딩 고무)	350-1151	2	
41	Gas-shock absorber (가스 쇼버)	350-1152	1	
42	Bolt (볼트)	350-1153	2	
43	Front door ass'y (앞문 조합)	350-1154	1	
44	Bolt for interior materials (내장재 고정볼트)	350-1155	55	
45	Nozzle for AC (노즐-에어컨)	350-1156	8	
46	Bracket I for interior materials (내장재 브라켓 I)	350-1157	2	
47	Bracket II for interior materials (내장재 브라켓 II)	350-1158	2	
48	Bracket III for interior materials (내장재 브라켓 III)	350-1159	2	
49	Bolt (볼트)	350-1143	14	
50	Rear aux. cover (뒷판 보조커버)	350-1144	1	

11-1. Operator cab, Cabin enclosure (안전탑 캐빈형)³⁵



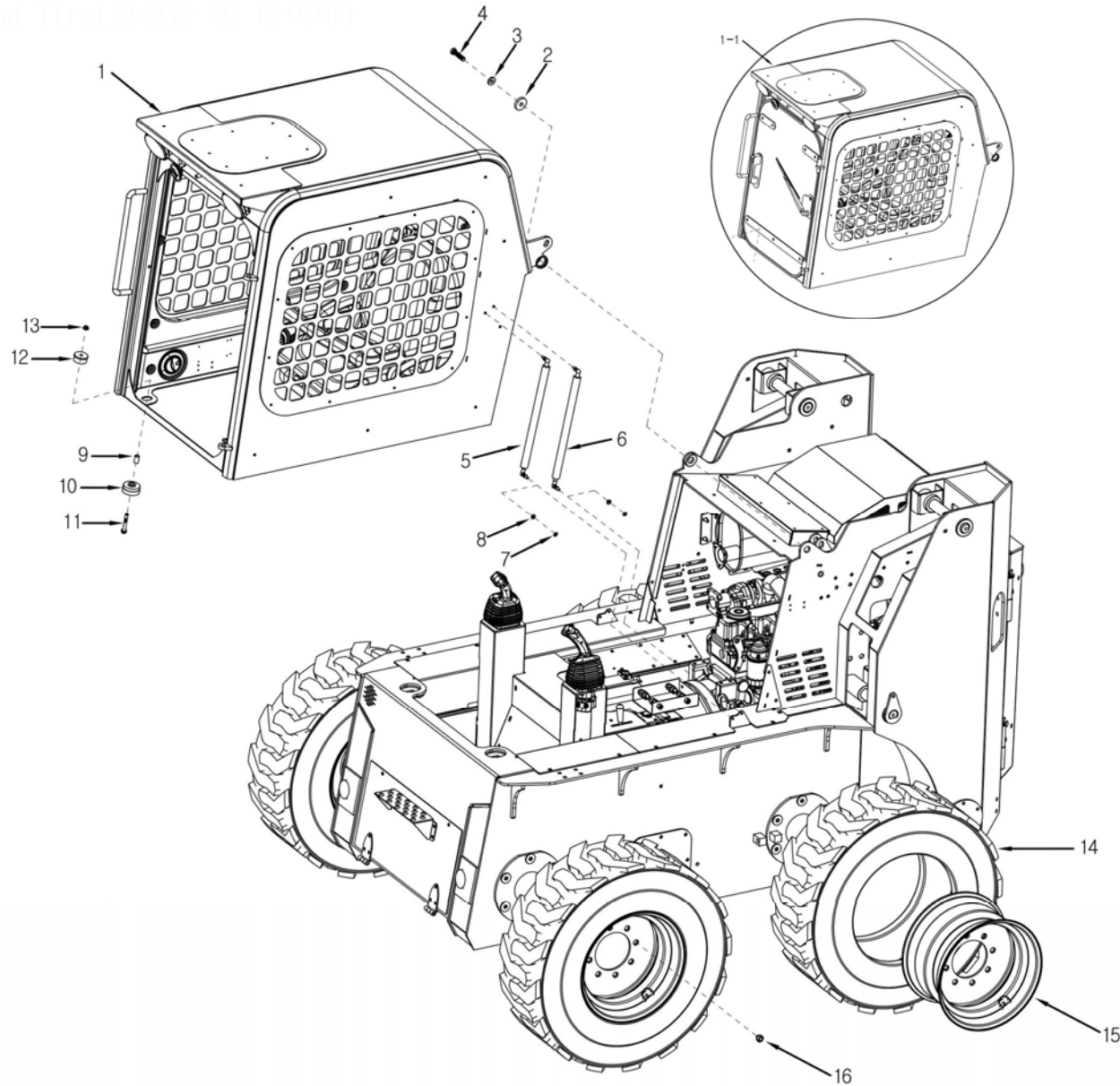
11-1. Operator cab, Cabin enclosure (안전탑 캐빈형) (Cont'd) (계속)				
No.	Name	Part No.	Quantity	Remarks
51	Rear cover (뒷판 커버)	350-1145	1	
52	Bolt (볼트)	350-1146	8	
53	Cover for wiring harness (배선 커버)	350-1147	1	
54	Washer (와셔)	350-1148	2	
55	Bolt (볼트)	350-1149	2	

13. Front door ass'y (안전탑 앞문)



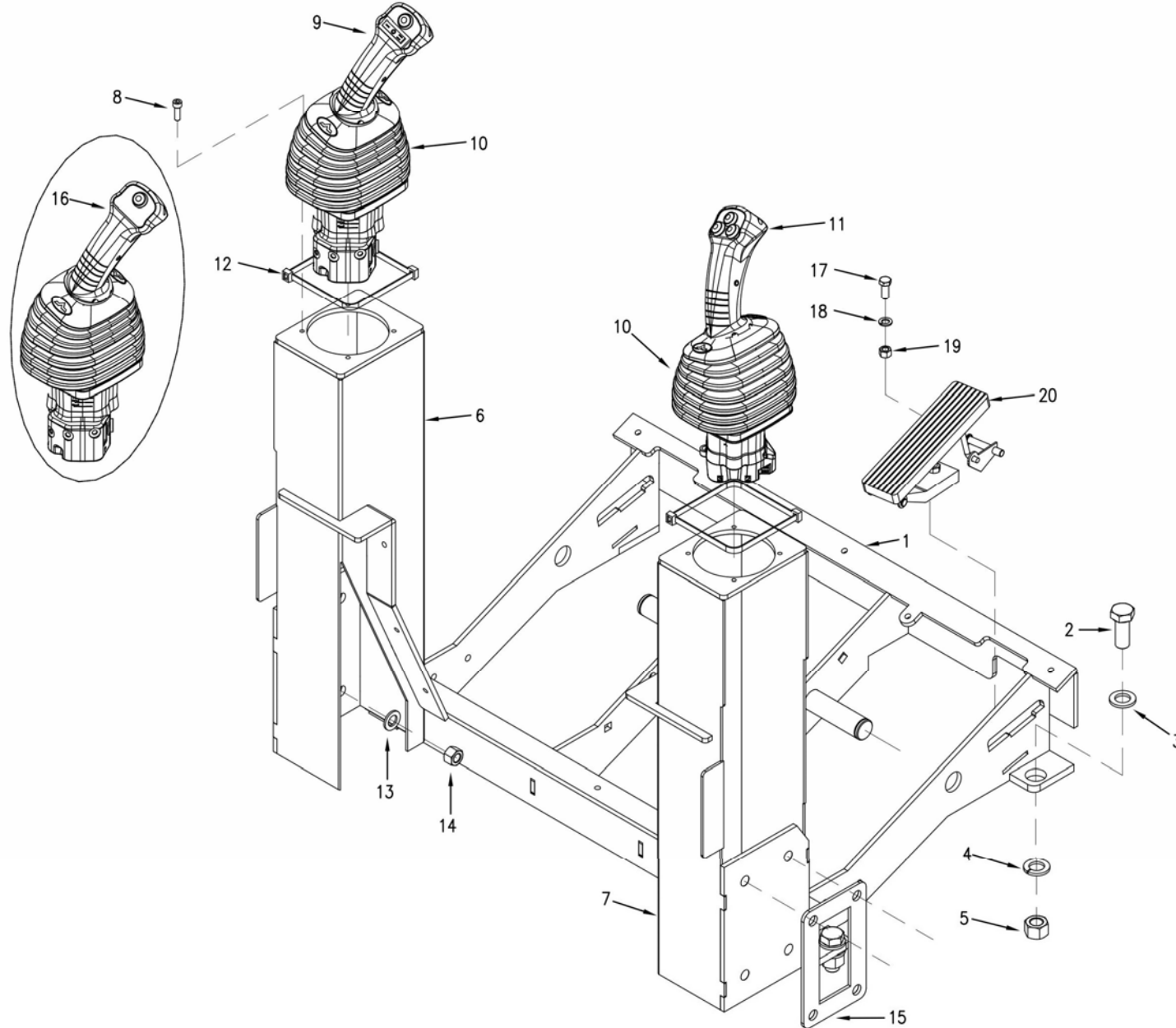
13. Front door ass'y (안전탑 앞문)				
No.	Name	Part No.	Quantity	Remarks
1	Molding rubber for front glass (앞문유리용 몰딩 고무)	350-1301	1	
2	Bolt (볼트)	350-1302	7	
3	Knob (손잡이)	350-1303	1	
4	Lower support, Glass (바닥 유리 지지대)	350-1304	1	
5	Gasket (가스켓)	350-1305	1	
6	Nut (너트)	350-1306	2	
7	Gasket (가스켓)	350-1307	1	
8	Knob assy holder (손잡이 조합 지지대)	350-1308	1	
9	Knob Ass'y (손잡이 조합)	350-1309	1	
10	MC Bushing (MC 부상)	350-1310	14	
11	Bolt (볼트)	350-1311	7	
12	Lower hinge plate(바닥 경첩 판)	350-1312	1	
13	Gasket (가스켓)	350-1313	1	
14	Bolt (볼트)	350-1314	2	
15	Bolt (볼트)	350-1315	1	
16	Gasket (가스켓)	350-1316	1	
17	Gasket (가스켓)	350-1317	1	
18	Windshield wiper motor ass'y (와이퍼 모터 조합)	350-1318	1	
19	Glass (유리)	350-1319	1	
20	Upper support, glass, front (위쪽 유리 지지대-정면)	350-1320	3	
21	Gasket (가스켓)	350-1321	1	
22	Windshield wiper ass'y(와이퍼 조합)	350-1322	1	
23	Upper hinge plate (윗쪽 경첩 판)	350-1323	1	
24	Washer(와셔)	350-1324	1	

14. Opeartor cab and tire (안전탑 및 타이어)



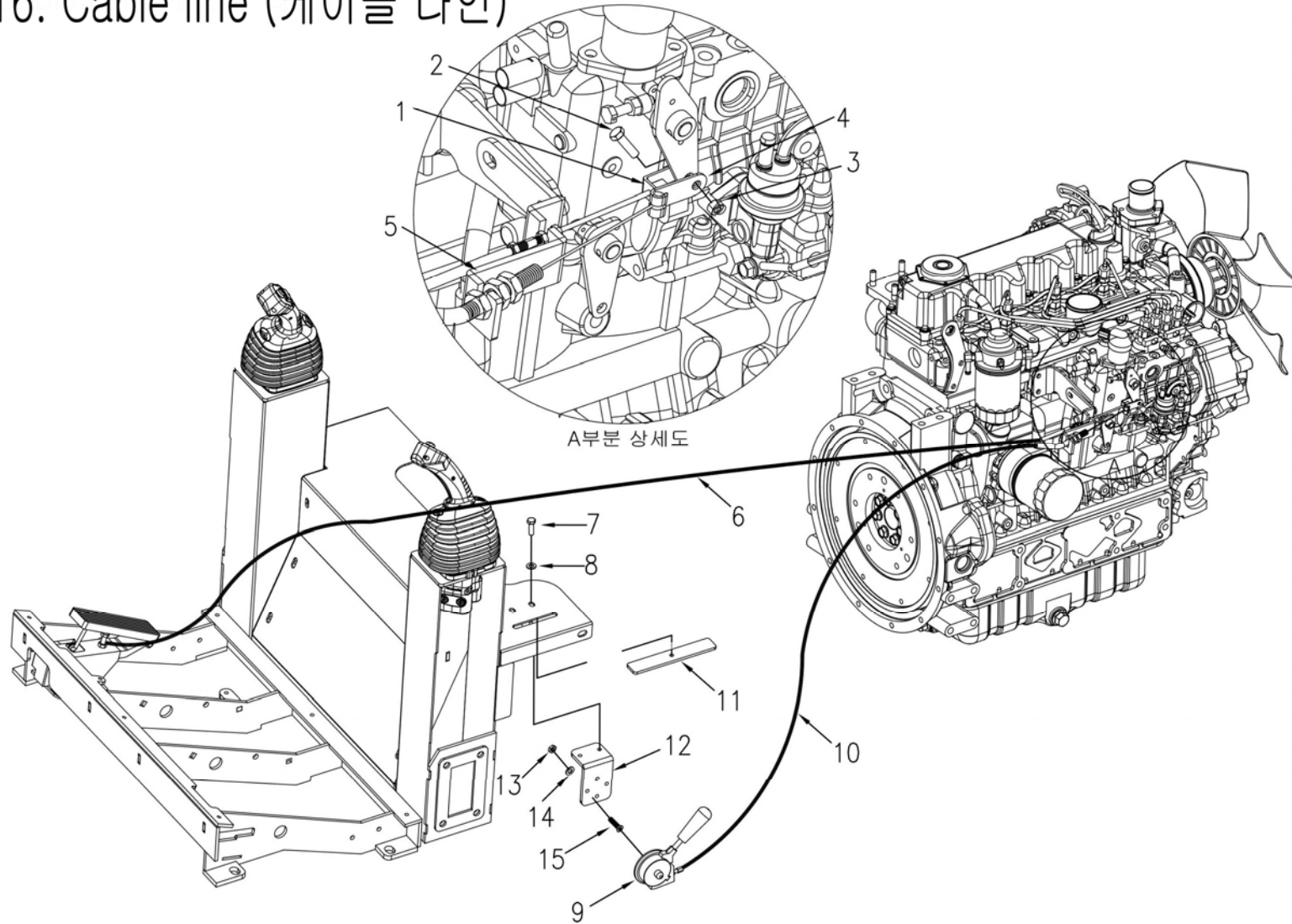
14. Operator cab and tire (안전탑 및 타이어)				
No.	Name	Part No.	Quantity	Remarks
1	Operator cab ass'y, open cab (안전탑 조합)	350-1401	1	
1-1	Operator cab ass'y, closed cab (캐빈 안전탑 조합)	350-1401-1	1	
2	Fixed washer for operator cab (안전탑 고정 와셔)	350-1402	2	
3	Plain washer (평와셔)	350-1403	2	
4	Bolt (볼트)	350-1404	2	
5	Gas-shock absorber (가스 쇼버)	350-1405	2	
6	Gas-shock absorber (가스 쇼버)	350-1406	2	
7	Spring Washer (스프링와셔)	350-1407	4	
8	Nut (너트)	350-1408	4	
9	Spacer (간격통)	350-1409	2	
10	Rubber (고무)	350-1410	2	
11	Bolt (볼트)	350-1411	2	
12	Vibroisolating rubber (방진 고무)	350-1412	2	
13	Nut (너트)	350-1413	2	
14	Tire (타이어)	350-1414	4	
15	Wheel (휠)	350-1415	4	
16	Wheel nut (휠 너트)	350-1416	32	

15. Steering handle (조향 장치)



15. Steering handle (조향 장치)				
No.	Name	Part No.	Quantity	Remarks
1	Steering system body (조향장치 본체)	350-1501	1	
2	Bolt (볼트)	350-1502	4	
3	Washer (와셔)	350-1503	4	
4	Spring washer(스프링 와셔)	350-1504	4	
5	Nut (너트)	350-1505	4	
6	Steering handle, body LH (조향장치 좌측 핸들 본체)	350-1506	1	
7	Steering handle, body RH (조향장치 우측 핸들 본체)	350-1507	1	
8	Bolt (볼트)	350-1508	8	
9	Steering handle LH (조향장치 좌측 핸들)	350-1509	1	
10	Protective cover for steering handle(조향핸들용 보호 커버)	350-1510	2	
11	Steering handle RH (조향장치 우측 핸들)	350-1511	1	
12	Band(밴드)	350-1512	2	
13	Washer (와셔)	350-1513	8	
14	Nut (너트)	350-1514	8	
15	Space plate(간격판)	350-1515	2	
16	Steering handle LH for extended boom (이단boom용 조향장치 좌측핸들)	350-1516	1	
17	Bolt (볼트)	350-1517	1	
18	Spring washer(스프링 와셔)	350-1518	1	
19	Nut (너트)	350-1519	1	
20	Accelerator pedal ass'y (조속페달조합, 풋타입)	350-1520	1	

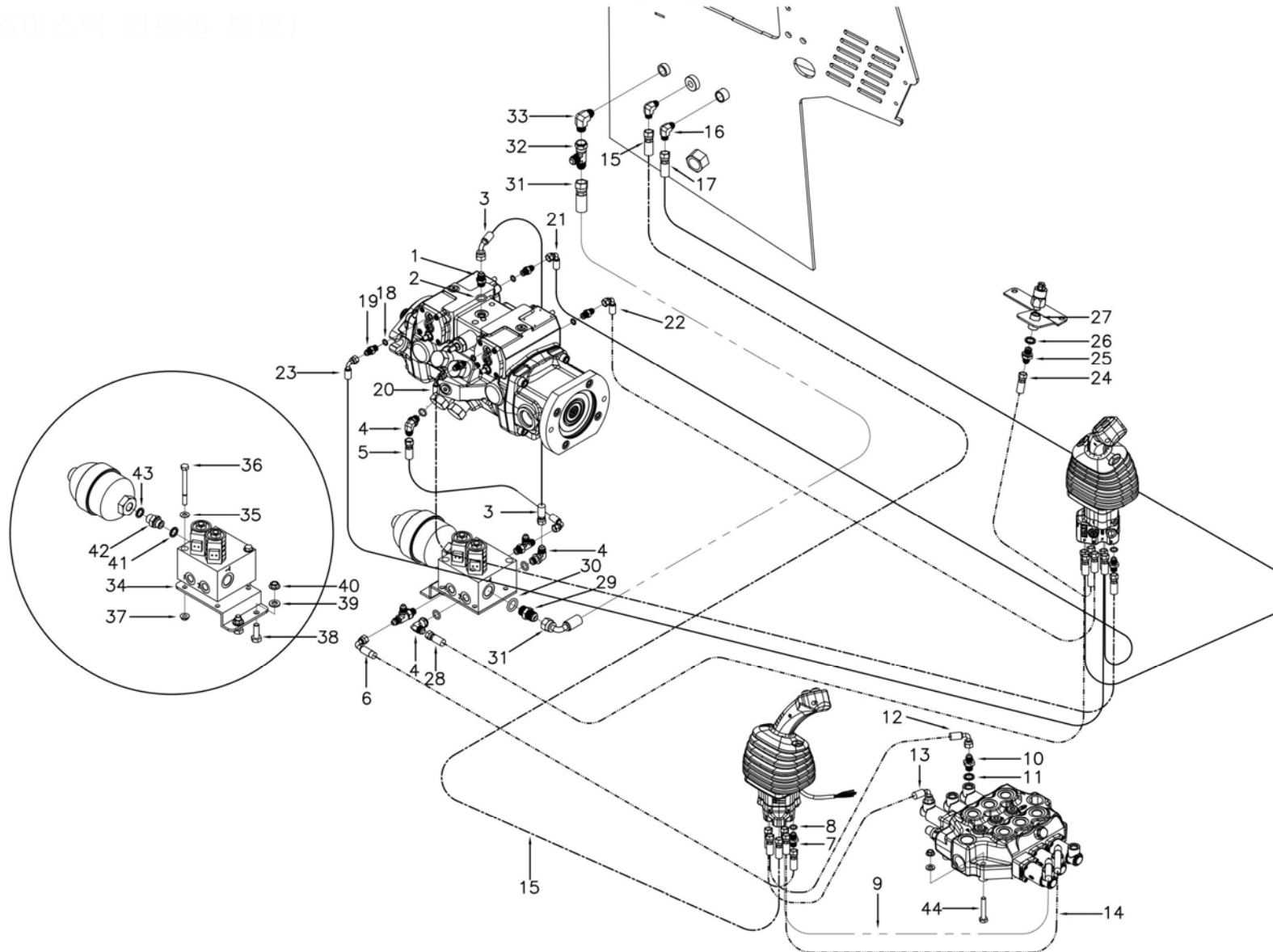
16. Cable line (케이블 라인)



16. Cable line (케이블 라인)				
No.	Name	Part No.	Quantity	Remarks
1	Accelerator cable ass'y (조속 케이블 조합)	350-1601	1	
2	Bolt (볼트)	350-1602	1	
3	Nut (너트)	350-1603	1	
4	Bracket for foot accelerator (풋 악셀 케이블용 브라켓)	350-1604	1	
5	Accelerator cable holder ass'y (악셀 케이블잡이)	350-1605	1	
6	Foot accelerator cable (풋 악셀 케이블)	350-1606	1	
7	Bolt (볼트)	350-1607	2	
8	Washer (와셔)	350-1608	3	
9	Accelerator lever ass'y (조속 레버 조합)	350-1609	1	
10	Accelerator lever cable (조속 레버 케이블)	350-1610	1	
11	Rubber cover (고무 덮개)	350-1611	1	
12	Bracket for accelerator lever (조속 레버용 브라켓)	350-1612	1	
13	Nut (너트)	350-1613	3	
14	Washer (와셔)	350-1614	3	
15	Flat Bolt(접시 볼트)	350-1615	3	

17. Control valve, Joystick (조이스틱 콘트롤밸브 장치부)

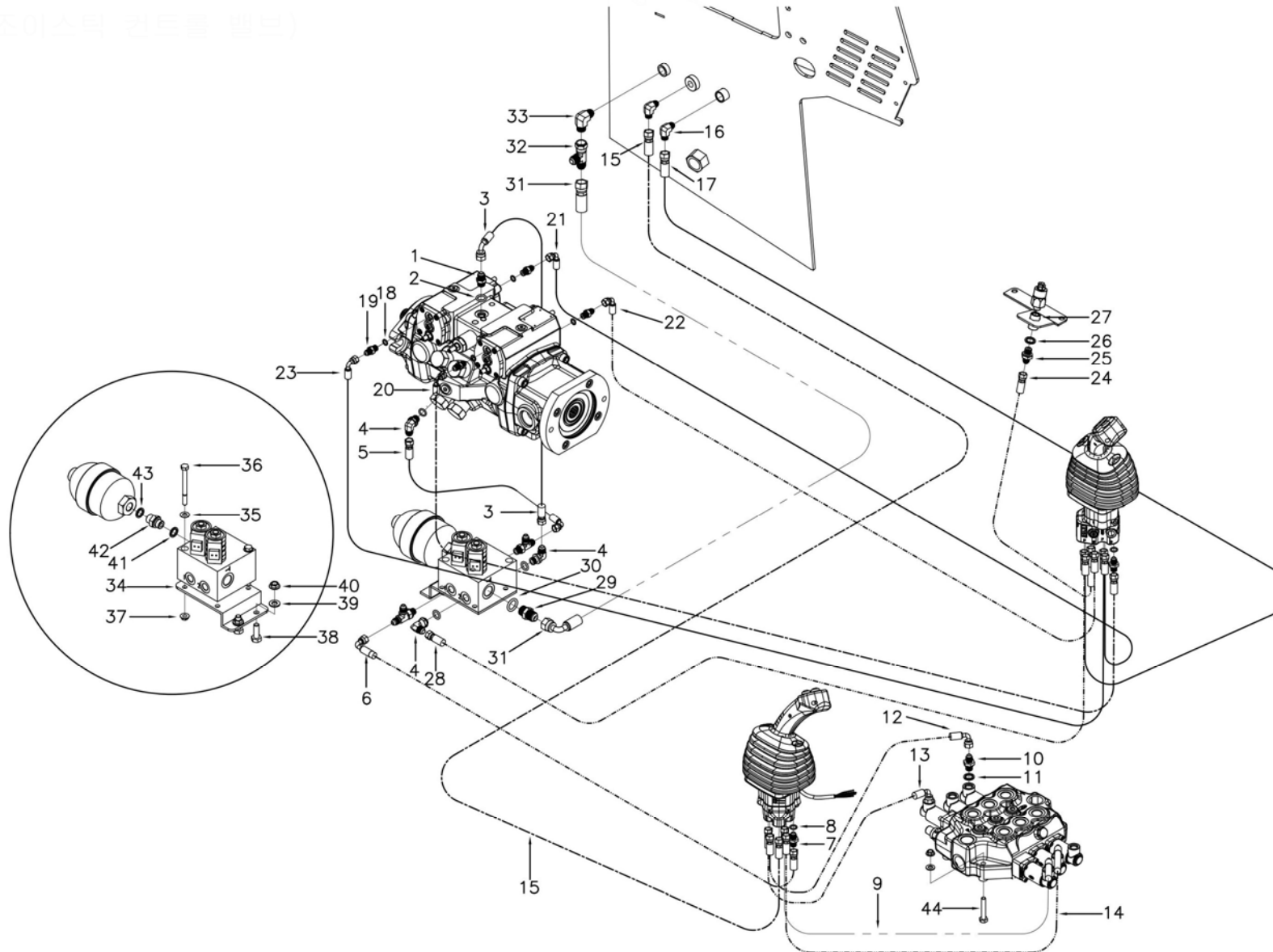
조이스틱 콘트롤 밸브



17. Control valve, Joystick (조이스틱 콘트롤밸브 장치부)				
No.	Name	Part No.	Quantity	Remarks
1	Coupling nipple (연결 니플)	350-1701	1	
2	O-ring (오링)	350-1702	4	
3	Hose (coupling nipple*main solenoid valve) (호스(연결니플*메인솔밸브))	350-1703	1	
4	Coupling nipple EL(연결 니플 EL)	350-1704	3	
5	Hose (coupling nipple*main solenoid valve) (호스(연결니플*메인솔밸브))	350-1705	1	
6	Hose (main solenoid valve(J1)*Joystick(boom*bucket)P) 호스(메인솔밸브(J1)*조이스틱(붐*버켓)P)	350-1706	1	
7	Nipple, Joystick(조이스틱 니플)	350-1707	13	
8	O-ring (오링)	350-1708	13	
9	Hose (control valve, lift arm*joystick 1) (호스(콘트롤밸브 붐*조이스틱 1))	350-1709	1	
10	Nipple, Control valve (니플 콘트롤 밸브)	350-1710	4	
11	Bonded seal (본디드씰)	350-1711	4	
12	Hose (control valve, bucket*joystick 2) (호스(콘트롤밸브 버켓*조이스틱 2))	350-1712	1	
13	Hose (control valve, lift arm*joystick 3) (호스(콘트롤밸브 붐*조이스틱 3))	350-1713	1	
14	Hose (control valve, bucket*joystick 4) (호스(콘트롤밸브 버켓*조이스틱 4))	350-1714	1	
15	Hose (control valve(boom,bucket(T)*input 3, tank (호스(콘트롤 밸브(붐,버켓(T))*탱크 (입-3))	350-1715	1	
16	Nipple EL(니플 EL)	350-1716	2	
17	Hose (Joystick valve, travel T*input 3,tank) (호스(조이스틱 밸브(주행(T))*탱크 (입-3))	350-1717	1	
18	O-ring (오링)	350-1718	4	
19	Nipple, Pump C,D,E,F (니플, 펌프 C,D,E,F)	350-1719	4	
20	Hose (pump C*joystick valve, travel C) (호스(펌프 C*조이스틱밸브(주행 C))	350-1720	1	
21	Hose (pump D*joystick valve, travel D) (호스(펌프 D*조이스틱밸브(주행 D))	350-1721	1	
22	Hose (pump E*joystick valve, travel E) (호스(펌프 E*조이스틱밸브(주행 E))	350-1722	1	
23	Hose (pump F*joystick valve, travel F) (호스(펌프 F*조이스틱밸브(주행 F))	350-1723	1	
24	Hose (joystick valve, travel 5*pressure switch) (호스(조이스틱밸브(주행 5) *압력스위치))	350-1724	1	

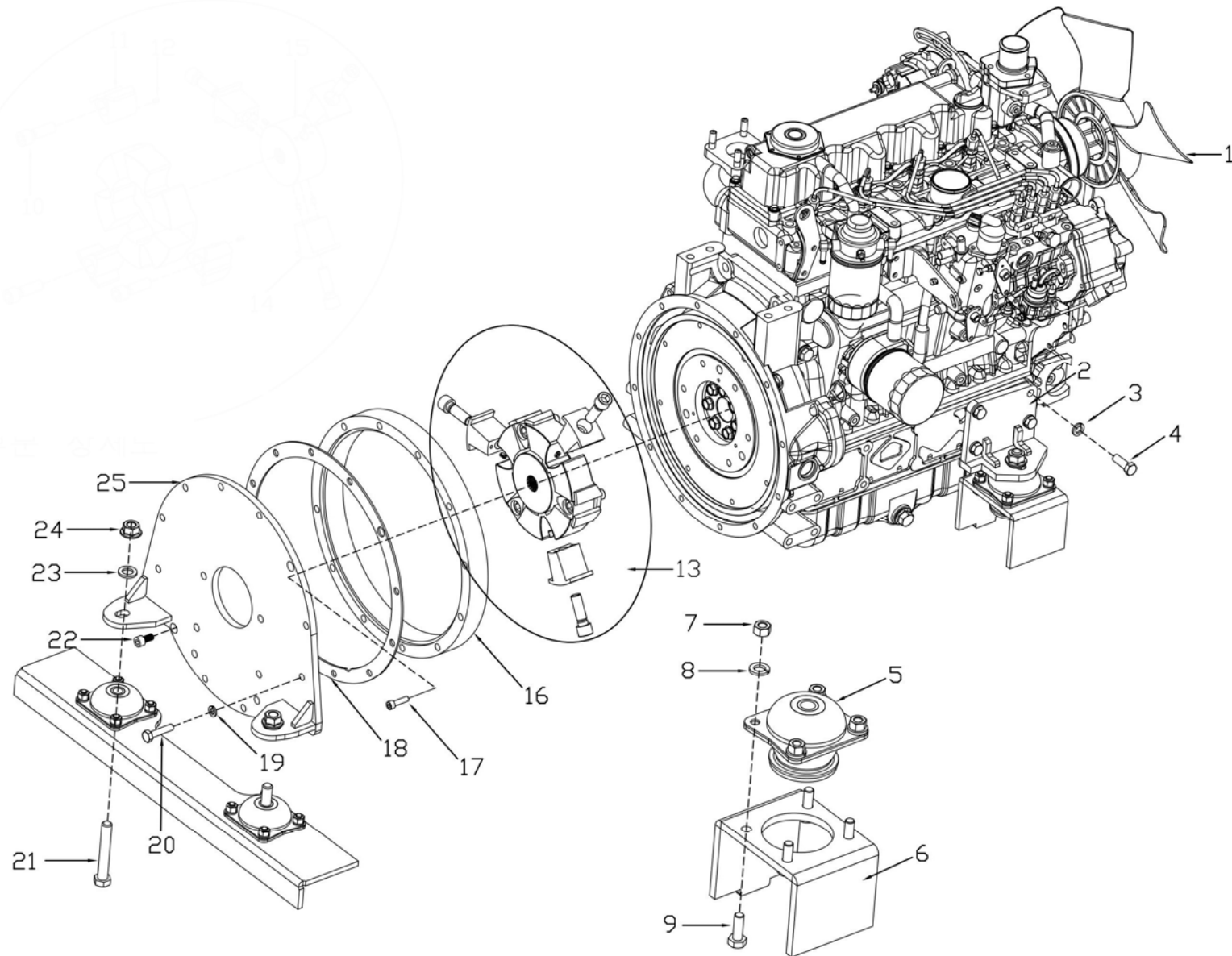
17. Control valve, Joystick (조이스틱 콘트롤밸브 장치부)

조이스틱 콘트롤 밸브



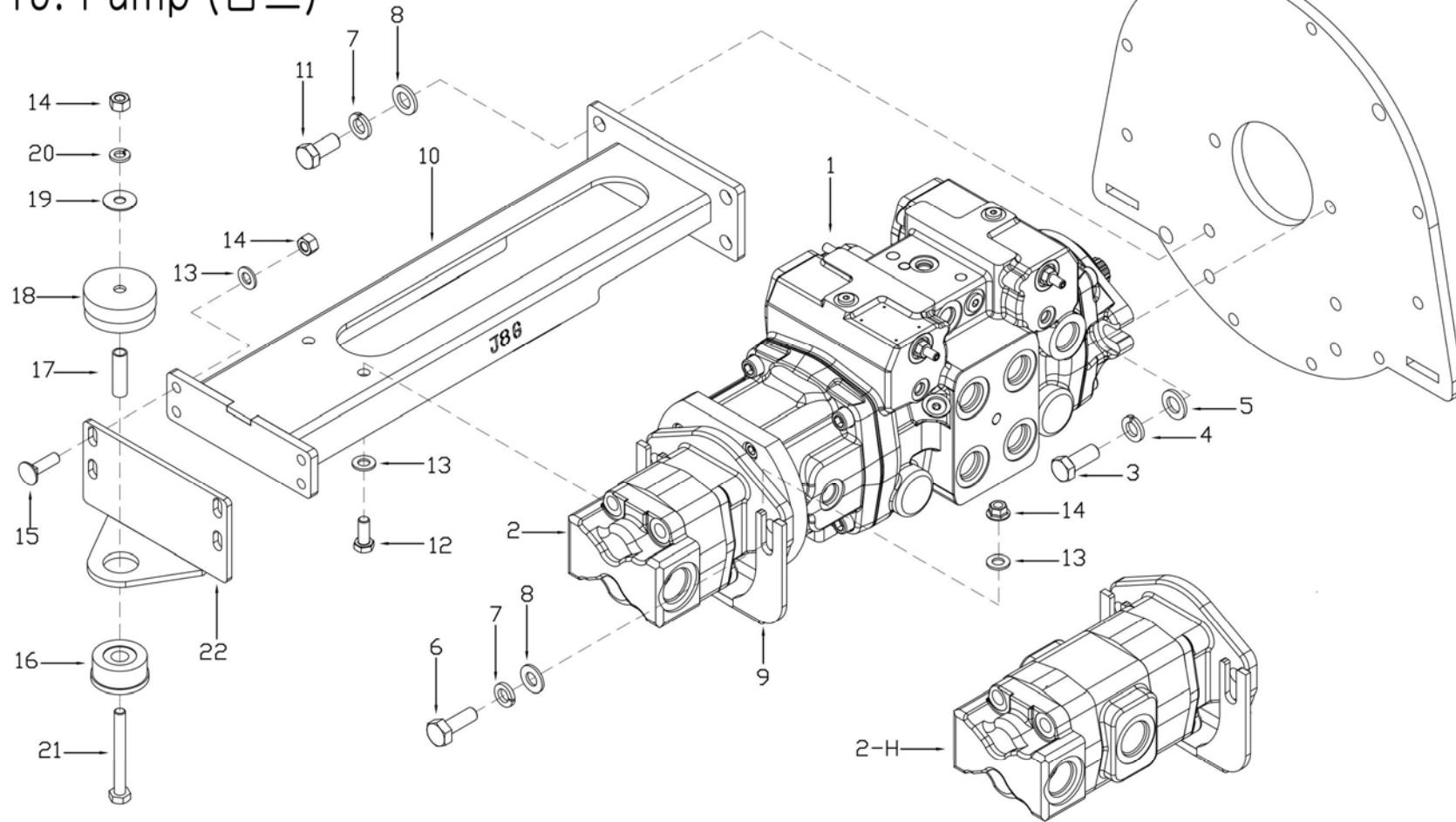
17. Control valve, Joystick (조이스틱 콘트롤밸브 장치부) (Cont'd) (계속)				
No.	Name	Part No.	Quantity	Remarks
25	Nipple, pressure switch (니플, 압력스위치 고정판)	350-1725	1	
26	Bonded seal (본디드셀)	350-1726	1	
27	Fixed plate for pressure switch (압력스위치 고정판)	350-1727	1	
28	Hose (main solenoid valve J2*Joystick valve, travel P (호스(메인솔밸브(J2)*조이스틱 밸브(주행 P)))	350-1728	1	
29	Nipple (니플)	350-1729	1	
30	O-ring (오링)	350-1730	1	
31	Hose (main solenoid valve T*input 1, tank (호스(메인솔밸브(T))*탱크 (입-1)))	350-1731	1	
32	Distributing nipple T (분배 니플 T)	350-1732	1	
33	Nipple EL (니플 EL)	350-1733	1	
34	Fixed plate for main solenoid valve (메인솔밸브 고정판)	350-1734	1	
35	Washer (와셔)	350-1735	2	
36	Bolt (볼트)	350-1736	2	
37	Nut (너트)	350-1737	2	
38	Bolt (볼트)	350-1738	2	
39	Washer (와셔)	350-1739	2	
40	Nut (너트)	350-1740	2	
41	Bonded seal (본디드셀)	350-1741	1	
42	Nipple (니플)	350-1742	1	
43	Bonded seal (본디드셀)	350-1743	1	
44	Bolt (볼트)	350-1744	3	
45	Accumulator (어큐미레이터)	350-1745	1	

18. Engine (엔진)



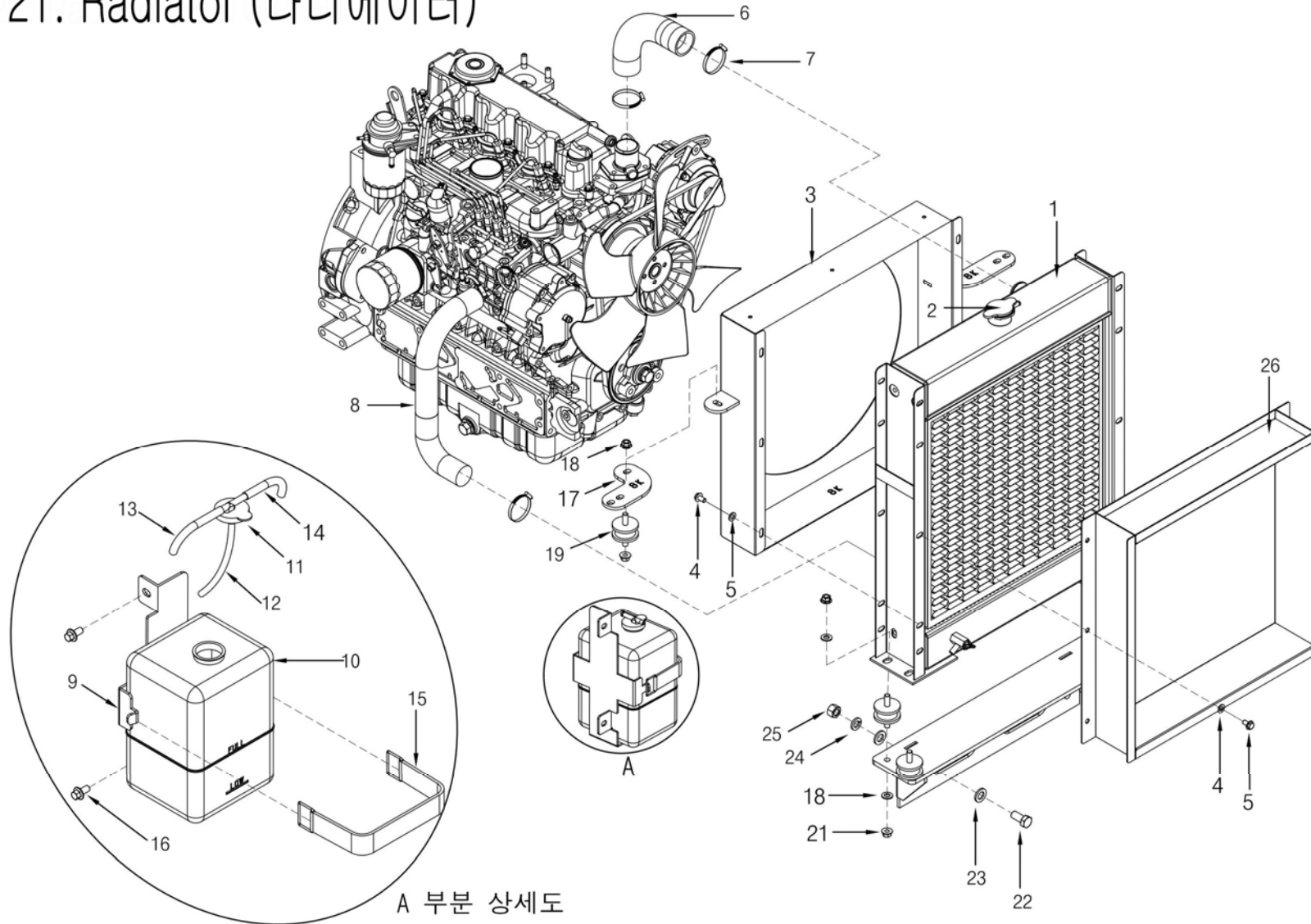
18. Engine (엔진)				
1	Fan (팬)	350-1801	1	
2	Fixed plate for engine (엔진 고정판)	350-1802	2	
3	Spring washer (스프링 와셔)	350-1803	8	
4	Bolt (볼트)	350-1804	8	
5	Vibroisolating rubber (방진 고무)	350-1805	4	
6	Fixed plate rubber (고무 고정판)	350-1806	2	
7	Nut (너트)	350-1807	32	
8	Spring washer (스프링 와셔)	350-1808	32	
9	Bolt (볼트)	350-1809	32	
13	Coupling Ass'y (커플링 조합)	350-1813	1	
16	Spacing plate I, Fly wheel (플라이휠 간격판 I)	350-1816	1	
17	Wrench Bolt(렌치 볼트)	350-1817	2	
18	Spacing plate II, Fly wheel (플라이휠 간격판 II)	350-1818	1	
19	Spring washer (스프링 와셔)	350-1819	16	
20	Bolt (볼트)	350-1820	16	
21	Bolt (볼트)	350-1821	4	
22	Wrench bolt(렌치 볼트)	350-1822	2	
23	Washer (와셔)	350-1823	16	
24	Bolt (볼트)	350-1824	16	
25	Fixed plate for pump (펌프 고정판)	350-1825	1	
26	Bolt (볼트)	350-1826	2	
27	Start relay (스타트 릴레이)	350-1827	1	
28	Bolt (볼트)	350-1828	2	
29	Spring washer (스프링 와셔)	350-1829	2	
30	Fixed plate for start relay (스타트 릴레이 고정판)	350-1830	1	
31	Nut (너트)	350-1831	2	

19. Pump (펌프)



19. Pump (펌프)				
No.	Name	Part No.	Quantity	Remarks
1	Pump (펌프)	350-1901	1	
2	Gear Pump (기어 펌프)	350-1902	1	
2-H	Gear Pump for Hi-Flow(기어 펌프-하이플로우)	350-1902H	1	
3	Bolt (볼트)	350-1903	2	
4	Spring washer (스프링 와셔)	350-1904	2	
5	Washer (와셔)	350-1905	2	
6	Bolt (볼트)	350-1906	2	
7	Spring washer (스프링 와셔)	350-1907	5	
8	Washer (와셔)	350-1908	5	
9	Coupling plate (연결판)	350-1909	1	
10	A fixed plate fixing pump (펌프 고정 받침대)	350-1910	1	
11	Bolt (볼트)	350-1911	4	
12	Bolt (볼트)	350-1912	2	
13	Washer (와셔)	350-1913	8	
14	Nut (너트)	350-1914	6	
15	Bolt (볼트)	350-1915	4	
16	Rubber mount (고무 받침)	350-1916	1	
17	Spacer (간격통)	350-1917	1	
18	Vibroisolating rubber (방진 고무)	350-1918	1	
19	Washer (와셔)	350-1919	1	
20	Spring washer (스프링 와셔)	350-1920	1	
21	Bolt (볼트)	350-1921	1	
22	Bracket supporting pump (펌프 받침 브라켓)	350-1922	1	
23	Bolt (볼트)	350-1923	2	
24	Bracket for pressure gauge (압력 게이지 브라켓)	350-1924	1	

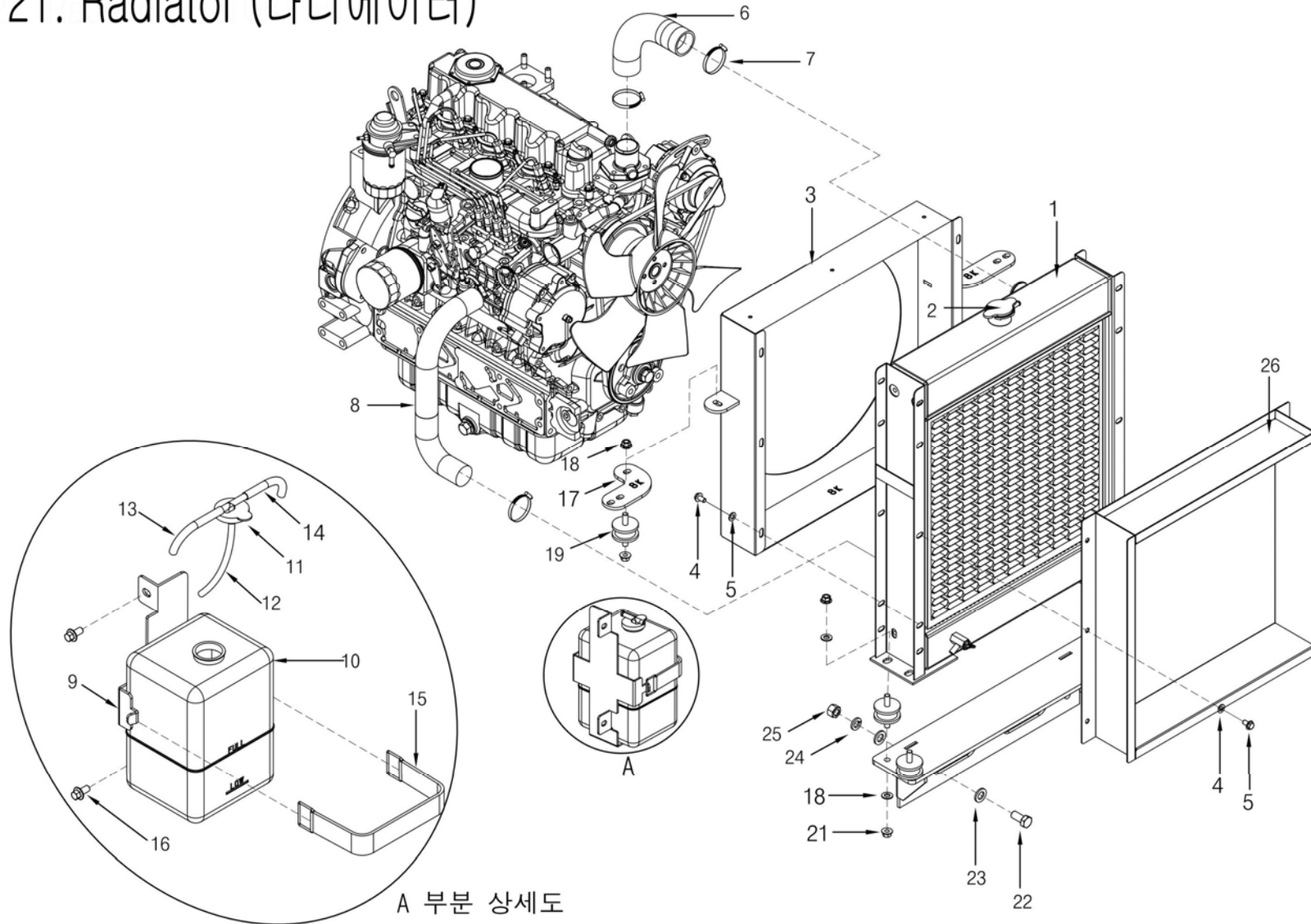
21. Radiator (라디에이터)



A 부분 상세도

21. Radiator (라디에이터)				
No.	Name	Part No.	Quantity	Remarks
1	Radiator (라디에이터)	350-2101	1	
2	Radiator cap (라디에이터 캡)	350-2102	1	
3	Fan cover (팬 커버)	350-2103	1	
4	Bolt (볼트)	350-2104	14	
5	Washer (와셔)	350-2105	14	
6	Upper radiator hose (상단 라디에이터 호스)	350-2106	1	
7	Hose band (호스 밴드)	350-2107	4	
8	Lower radiator hose (하단 라디에이터 호스)	350-2108	1	
A	Aux. water tank Ass'y (보조 물 탱크 조합)	350-2109A	1	
9	Fixed plate for aux. water tank (보조 물 탱크용 고정판)	350-2109	1	
10	Aux. water tank (보조 물 탱크)	350-2110	1	
11	Water tank cap (보조 물 탱크 캡)	350-2111	1	
12	Water tank hose (보조 물 탱크 호스)	350-2112	1	
13	Coupling hose (연결 호스)	350-2113	1	
14	Drain hose (퇴유 호스)	350-2114	1	
15	A fixed band (고정밴드)	350-2115	1	
16	Bolt (볼트)	350-2116	2	
17	A fixed bracket LH (고정 브라켓)(LH)	350-2117	1	
18	Nut (너트)	350-2118	12	
19	Vibroisolating rubber (방진 고무)	350-2119	6	
20	A fixed plate (고정판)	350-2120	1	
21	Washer (와셔)	350-2121	8	
22	Bolt (볼트)	350-2122	2	
23	Washer (와셔)	350-2123	4	
24	Spring washer (스프링 와셔)	350-2124	2	

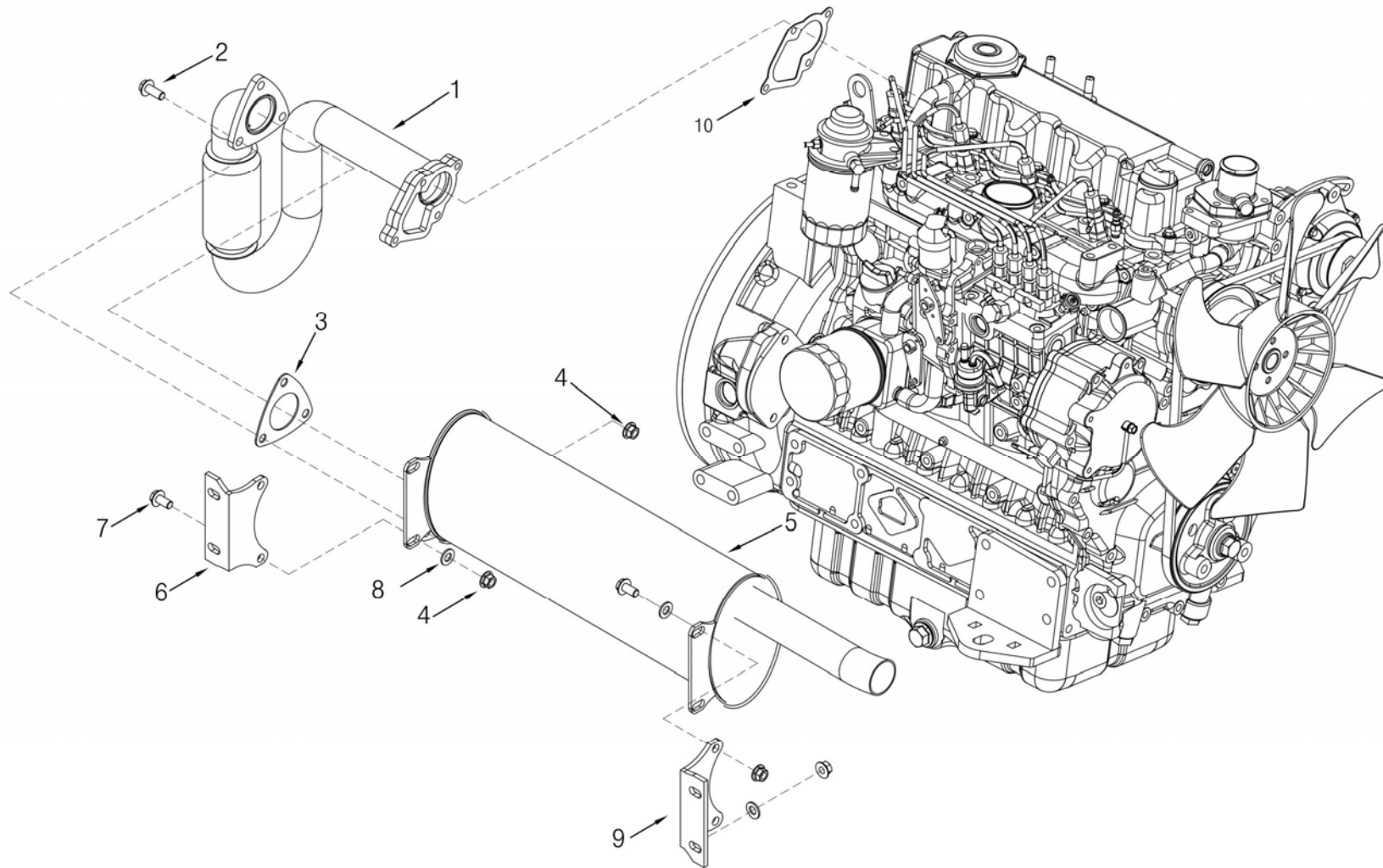
21. Radiator (라디에이터)



A 부분 상세도

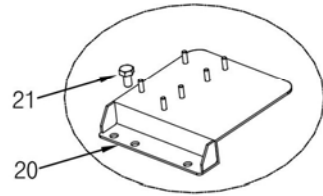
21. Radiator (라디에이터) (Cont'd) (계속)				
No.	Name	Part No.	Quantity	Remarks
25	Nut (너트)	350-2125	2	
26	Cooler guide(쿨러 가이드)	350-2126	1	
27	A fixed bracket RH (고정 브라켓)(RH)	350-2127	1	

22. Muffler (소음기)

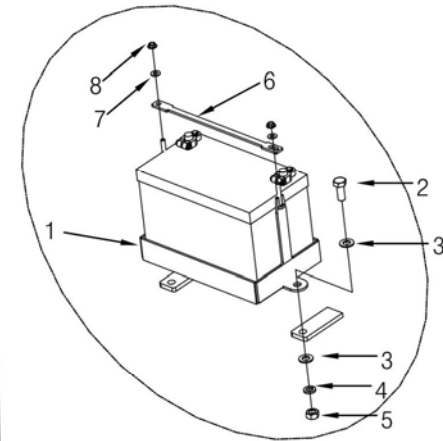


22. Muffler (소음기)				
No.	Name	Part No.	Quantity	Remarks
1	Coupling tube (연결관)	350-2201	1	
2	Bolt (볼트)	350-2202	3	
3	Gasket (가스켓)	350-2203	1	
4	Nut (너트)	350-2204	11	
5	Muffler (소음기)	350-2205	1	
6	Front fixed plate (앞쪽 고정판)	350-2206	1	
7	Bolt (볼트)	350-2207	4	
8	Washer(와셔)	350-2208	8	
9	Rear fixed plate (뒤쪽 고정판)	350-2209	1	
10	Gasket (가스켓)	350-2210	1	

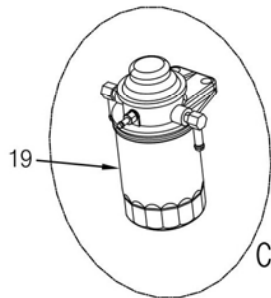
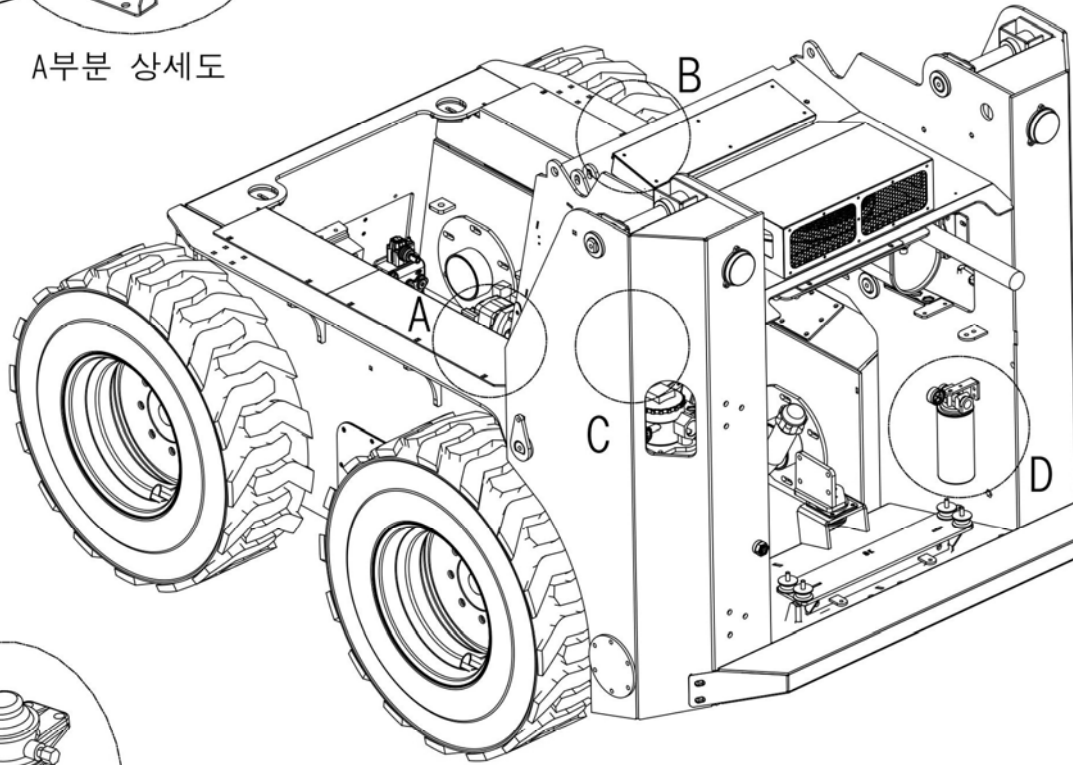
23. Parts related to engine (엔진관련 부품)



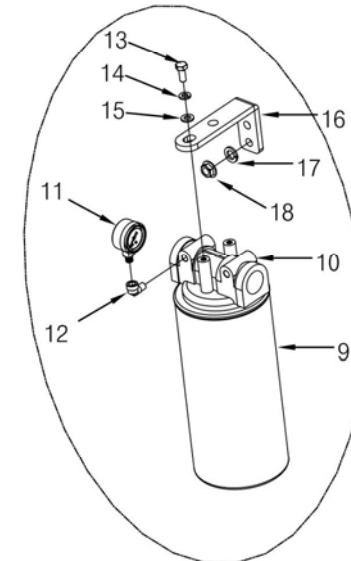
A부분 상세도



B부분 상세도



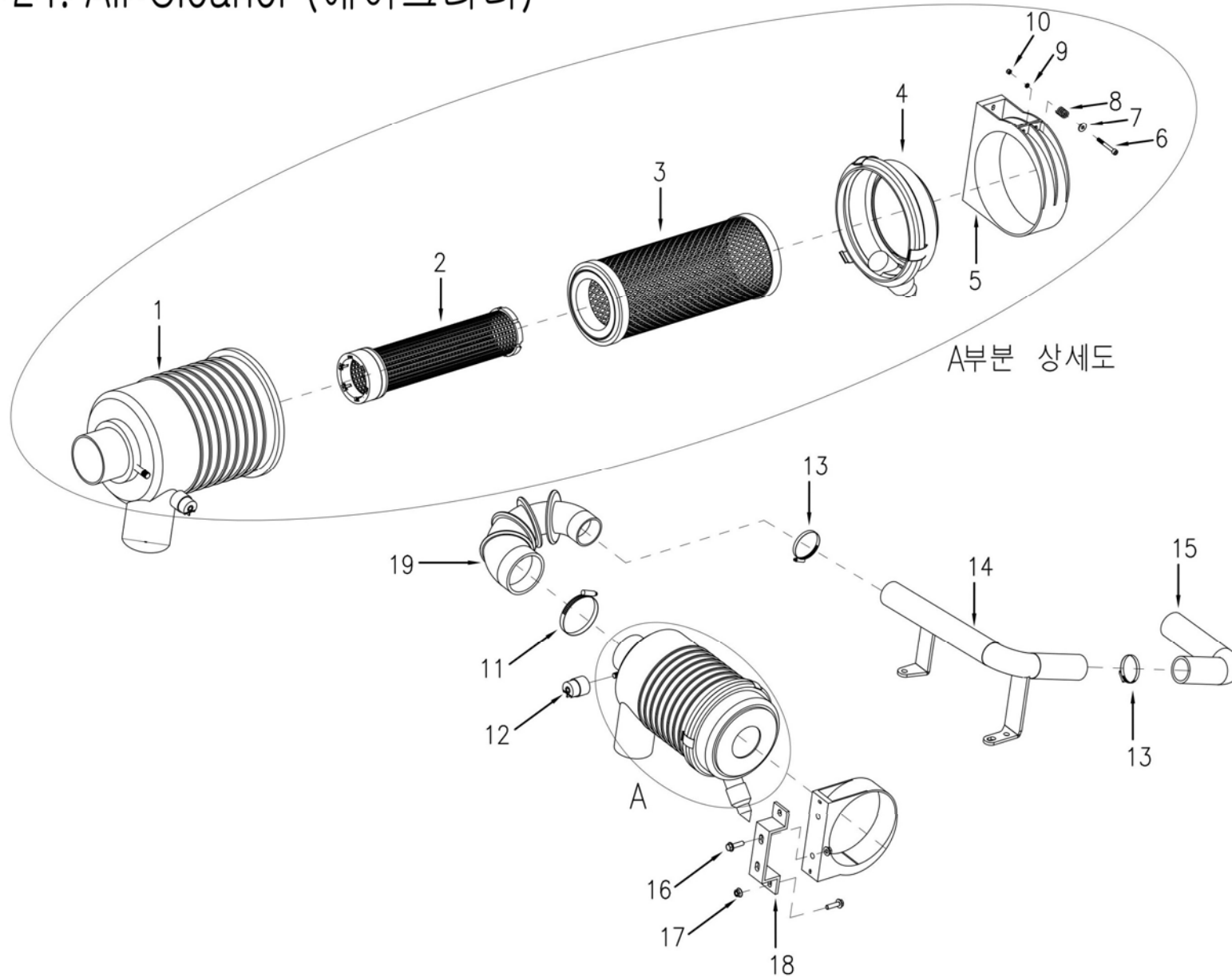
C부분 상세도



D부분 상세도

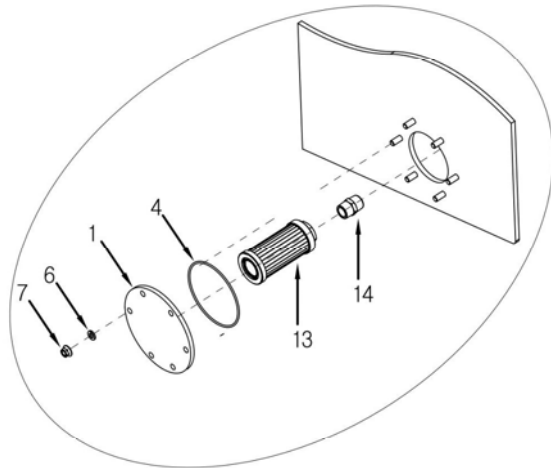
23. Parts related to engine (엔진관련 부품)				
No.	Name	Part No.	Quantity	Remarks
1	Battery case (배터리 케이스)	350-2301	1	
2	Bolt (볼트)	350-2302	2	
3	Washer (와셔)	350-2303	4	
4	Spring washer (스프링 와셔)	350-2304	2	
5	Nut (너트)	350-2305	2	
6	Fixed plate (고정판)	350-2306	1	
7	Washer (와셔)	350-2307	2	
8	Nut (너트)	350-2308	2	
9	Spin-on filter (리턴 필터)	350-2309	1	
10	Spin-on-filter holder (리턴 필터 잡이)	350-2310	1	
11	Pressure gauge (압력게이지)	350-2311	1	
12	Nipple (니플)	350-2312	1	
13	Bolt (볼트)	350-2313	2	
14	Spring washer (스프링 와셔)	350-2314	2	
15	Washer (와셔)	350-2315	2	
16	Fixed plate for spin-on filter (리턴 필터 고정판)	350-2316	1	
17	Spring washer (스프링 와셔)	350-2317	2	
18	Nut (너트)	350-2318	2	
19	Fuel Filter (연료 필터)	350-2319	1	
20	Relay box (릴레이 박스)	350-2320	1	
21	Bolt (볼트)	350-2321	2	

24. Air Cleaner (에어크리너)

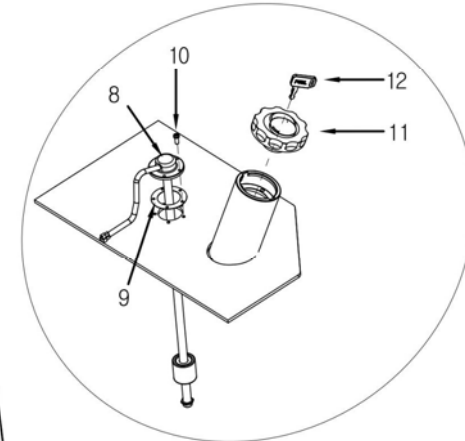


24. Air Cleaner (에어크리너)				
No.	Name	Part No.	Quantity	Remarks
A	Air Cleaner Ass'y (에어크리너 조합)	350-2401A	1	
1	Air cleaner case (에어크리너 케이스)	350-2401	1	
2	Inner filter element (내측 에어크리너 필터)	350-2402	1	
3	Outer Filter element (외측 에어크리너 필터)	350-2403	1	
4	Bottom cap (하단 캡)	350-2404	1	
5	Clamp (크램프)	350-2405	1	
6	Bolt (볼트)	350-2406	2	
7	Washer (와셔)	350-2407	2	
8	Spring(스프링)	350-2408	2	
9	Spring washer (스프링 와셔)	350-2409	2	
10	Nut (너트)	350-2410	2	
11	Band (밴드)	350-2411	2	
12	Air bleeder(에어 브리저)	350-2412	1	
13	Band (밴드)	350-2413	2	
14	Coupling tube (연결관)	350-2414	1	
15	Air cleaner hose (에어크리너 호스)	350-2415	1	
16	Bolt (볼트)	350-2416	4	
17	Nut (너트)	350-2417	4	
18	A fixed plate(고정판)	350-2418	1	
19	Connecting hose, air cleaner (에어크리너 연결호스)	350-2419	1	

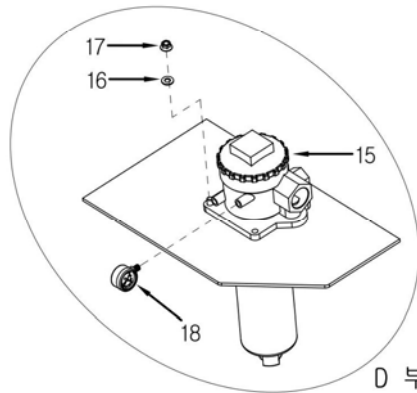
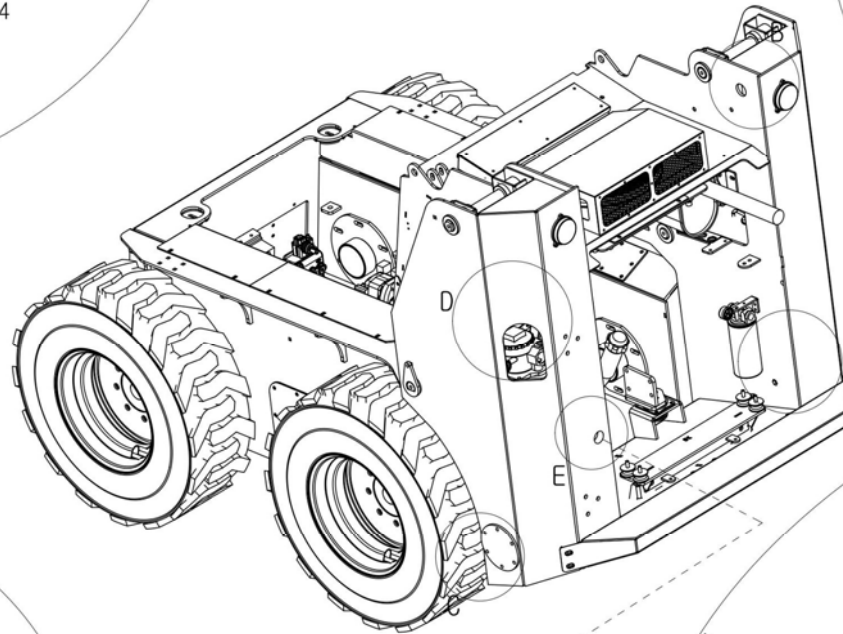
25. Hydraulics and fuel tank (유압 및 연료 탱크)



C 부분 상세도



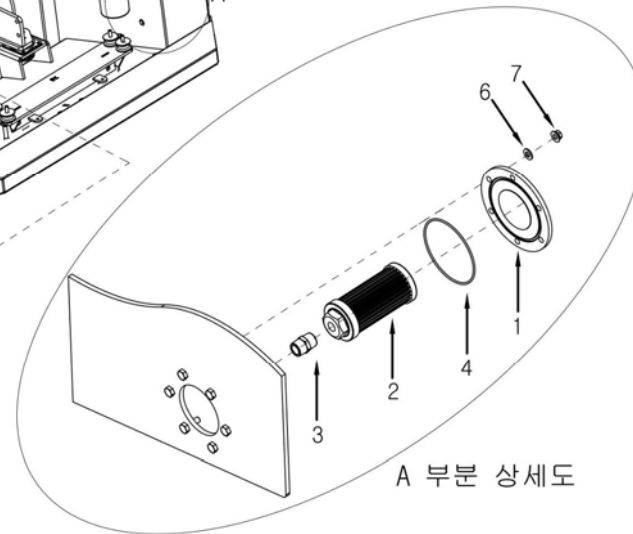
B 부분 상세도



D 부분 상세도



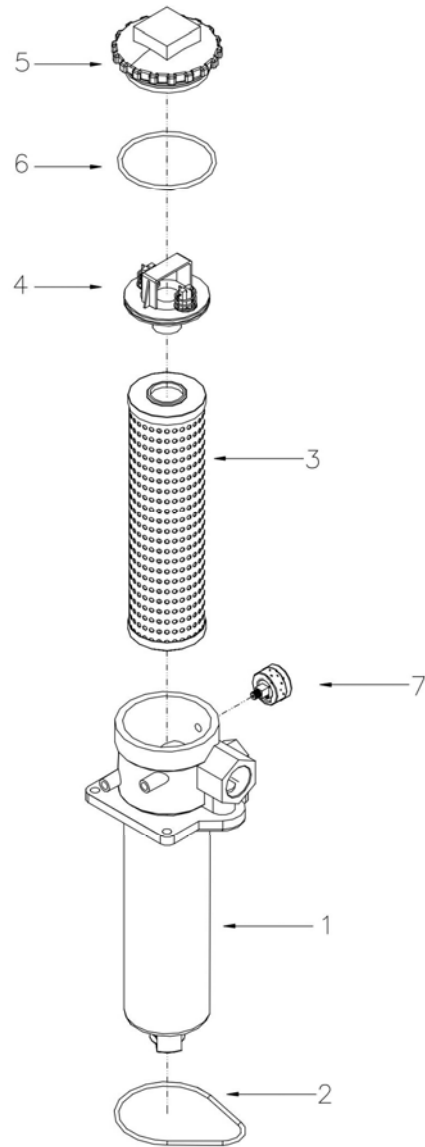
E 부분 상세도



A 부분 상세도

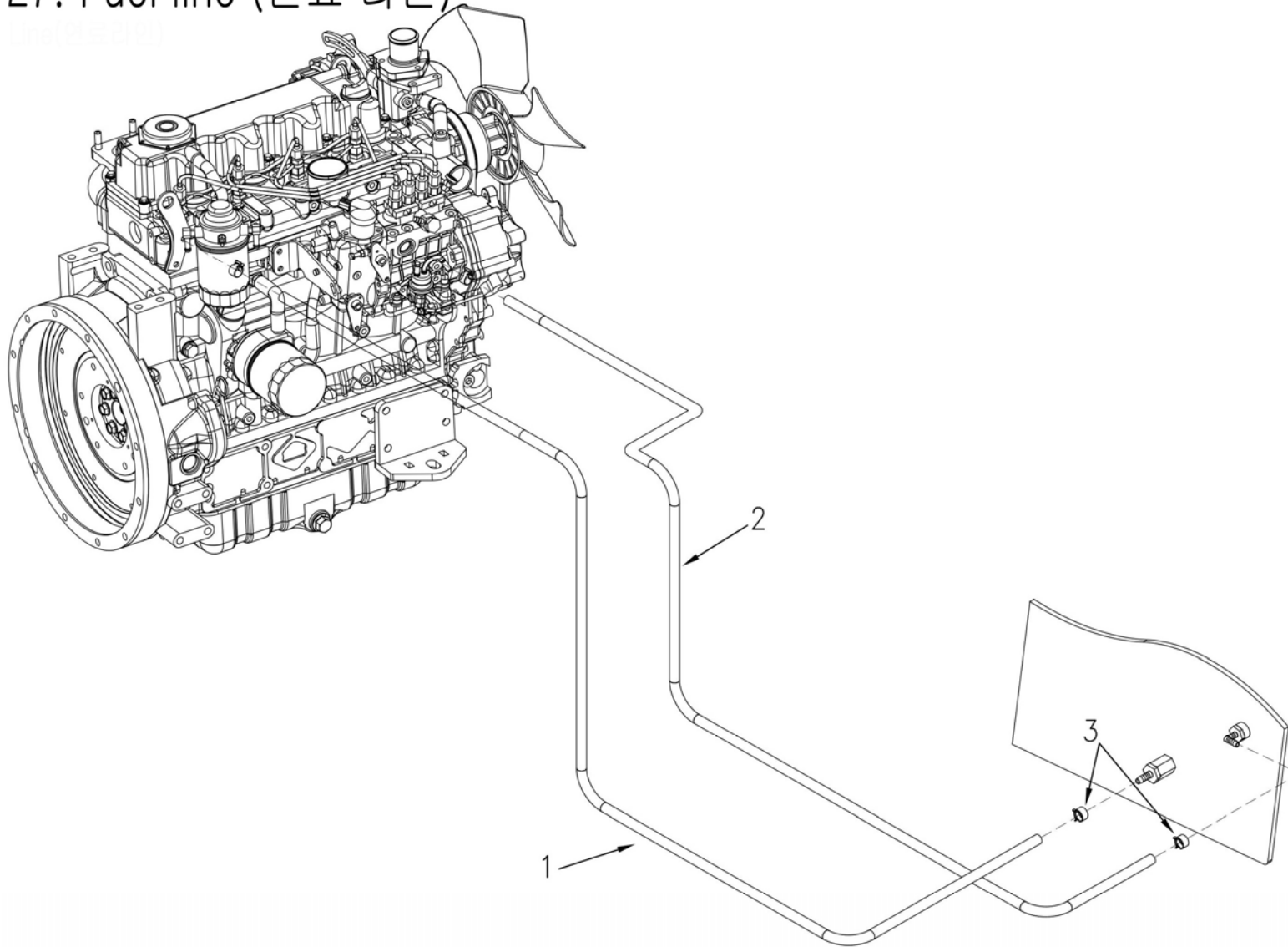
25. Hydraulics and fuel tank (유압 및 연료 탱크)				
No.	Name	Part No.	Quantity	Remarks
1	Fixed plate for filter (필터 고정판)	350-2501	1	
2	Suction filter for fuel (fuel filter) (석션 필터, 경유)	350-2502	1	
3	Coupling nipple (연결 니플)	350-2503	1	
4	O-ring (오 링)	350-2504	2	
5	O-ring (오 링)	350-2505	1	
6	Washer (와셔)	350-2506	12	
7	Nut (너트)	350-2507	12	
8	Fuel Sensor (연료 센서)	350-2508	1	
9	Gasket (가스켓)	350-2509	1	
10	Bolt (볼트)	350-2510	5	
11	Fuel cap (연료 캡)	350-2511	1	
12	key (열쇠)	350-2512	1	
13	Suction filter for hyd' oil (hyd' oil filter) (석션 필터, 유압)	350-2513	1	
14	Coupling nipple (연결 니플)	350-2514	1	
15	Dual filter ass'y (suction * spin-on) (복합필터조합 석션*리턴)	350-2515	1	
16	Washer (와셔)	350-2516	4	
17	Nut (너트)	350-2517	4	
18	Pressure Gauge (압력 게이지)	350-2518	2	
19	Hyd' oil level gauge (유량 게이지)	350-2519	1	

26. Dual hyd^l oil filter (복합필터)



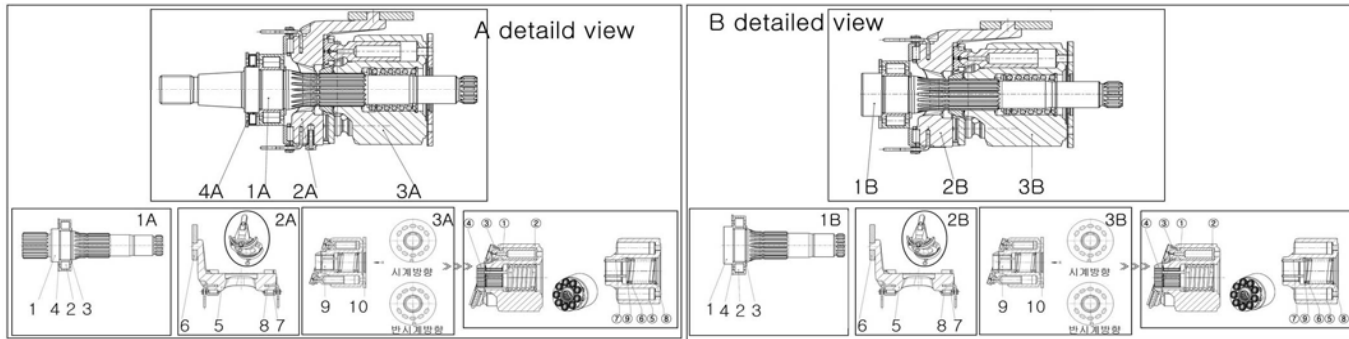
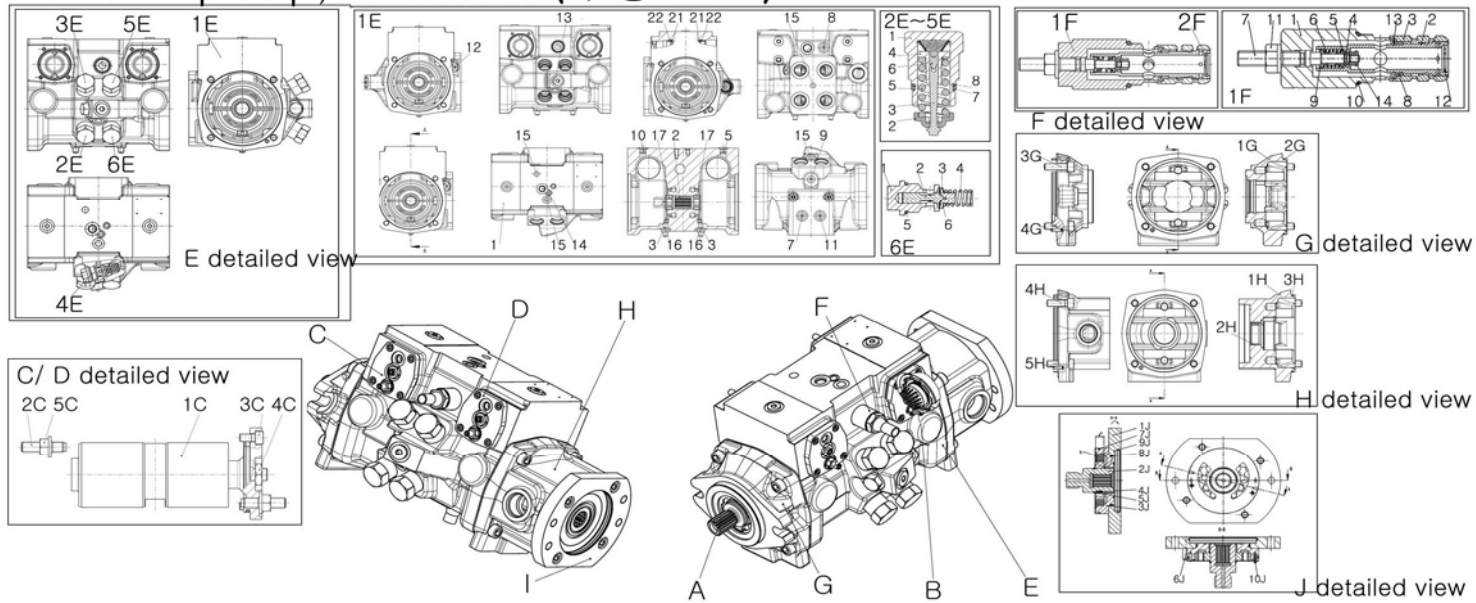
26. Dual hyd' oil filter (복합필터)				
No.	Name	Part No.	Quantity	Remarks
1	Case (케이스)	350-2601	1	
2	O-ring (오 링)	350-2602	1	
3	Filter (필터)	350-2603	1	
4	Plate for filter holder (필터 잡이 판)	350-2604	1	
5	Cap (캡)	350-2605	1	
6	O-ring (오 링)	350-2606	1	
7	Pressure gauge (압력 게이지)	350-2607	1	

27. Fuel line (연료 라인)



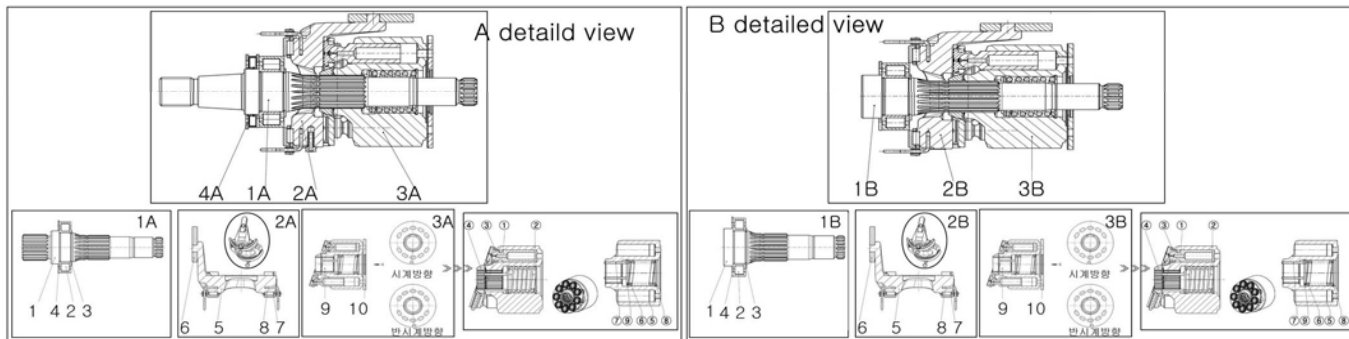
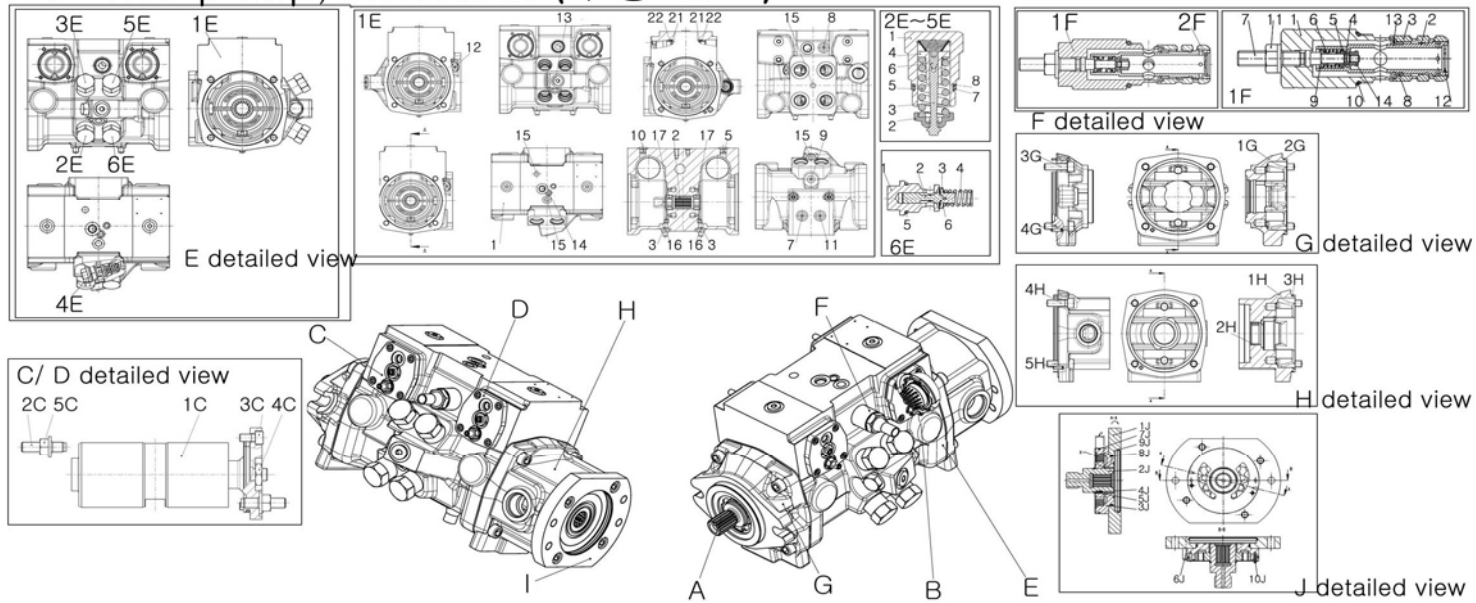
27. Fuel line (연료 라인)				
No.	Name	Part No.	Quantity	Remarks
1	Input hose (입력 호스)	350-2701	1	
2	Drain hose (퇴유호스)	350-2702	1	
3	Band(밴드)	350-2703	4	

28. Drive pump, Rex Roth (구동 펌프)



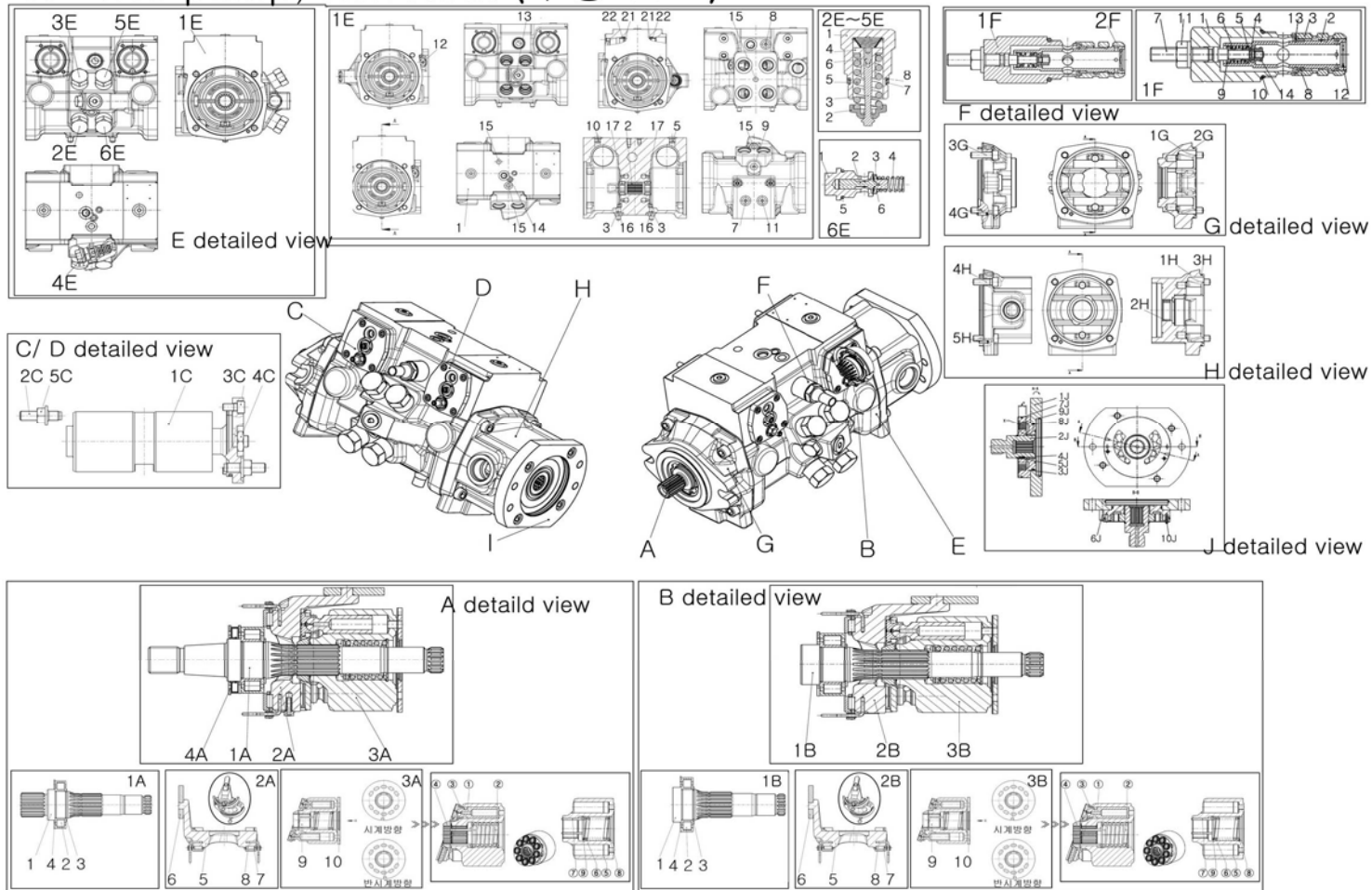
28. Drive pump, Rex Roth (구동 펌프)				
No.	Name	Part No.	Quantity	Remarks
A	Triebwerk (트립베르크) AA22VG-45	R902199804	1	
1A	Drive shaft with bearing	R902195142	1	
1	Drive shaft	R902061923	1	
2	Plain roller bearing	R913011777	1	
3	Retaining ring	R909083360	1	
4	Seeger V ring	R909832149	1	
2A	Cradle	R902195140	1	
5	Cradle R pop	R902146663	1	
6	Slide ring	R902051397	1	
7	Bearing liner	R902085005	1	
8	Cradle bearing assy	R902603571	1	
3A	TW A22VG45R22 HYDR. Teil 45GRAD LH	R902491495	1	
9	Rotary group, hydr section	R902491494	1	
①	Piston-slipper pad	R902146883	1	
①	Piston-slipper pad	R902087180	1	
②	Cylinder kit	R902504905	1	
⑤	Cylinder	R902484762	1	
⑥	Spring	R902400724	1	
⑦	Pressure pin	R902400725	1	
⑧	Seeger v ring	R902400726	1	
⑨	Back up ring	R902400727	1	
③	Rueckzug plate	R902486988	1	
④	Retaining ball	R902436450	1	
10	Valve plate	R902188425	1	
4A	Seal kit for rotary group	R902195103	1	

28. Drive pump, Rex Roth (구동 펌프)



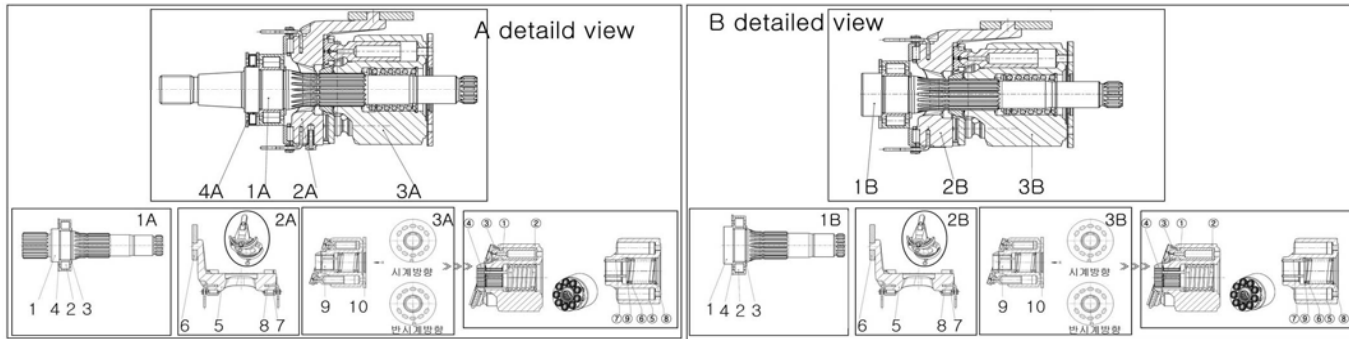
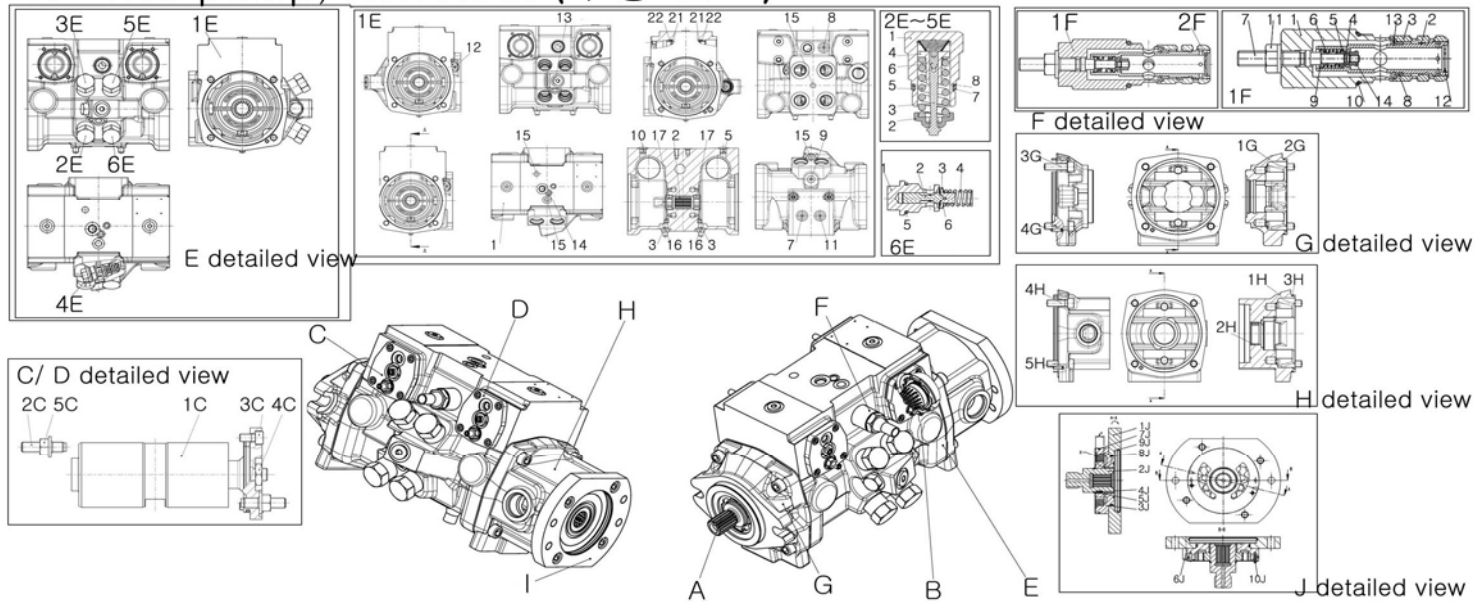
28. Drive pump, Rex Roth (구동 펌프) (Cont'd) (계속)				
No.	Name	Part No.	Quantity	Remarks
B	Triebwerk (트립베르크)	R902199805	1	
1B	Drive shaft with bearing	R902195108	1	
1	Drive shaft	R902087240	1	
2	Plain roller bearing	R913011777	1	
3	Retaining ring	R909083360	1	
4	Seeger V ring	R909832149	1	
2B	Cradle	R902195140	1	
5	Cradle R pop	R902146663	1	
6	Slide ring	R902051397	1	
7	Bearing liner	R902085005	1	
8	Cradle bearing assy	R902603571	1	
3B	TW A22VG45R22 HYDR. Teil 45GRAD LH	R902491495	1	
9	Rotary group, hydr section	R902491494	1	
①	Piston-slipper pad	R902146883	1	
①	Piston-slipper pad	R902087180	1	
②	Cylinder kit	R902504905	1	
⑤	Cylinder	R902484762	1	
⑥	Spring	R902400724	1	
⑦	Pressure pin	R902400725	1	
⑧	Seeger v ring	R902400726	1	
⑨	Back up ring	R902400727	1	
③	Rueckzug plate	R902486988	1	
④	Retaining ball	R902436450	1	
10	Valve plate	R902188424	1	
C	Hydraulic control	R902198999	1	

28. Drive pump, Rex Roth (구동 펌프)



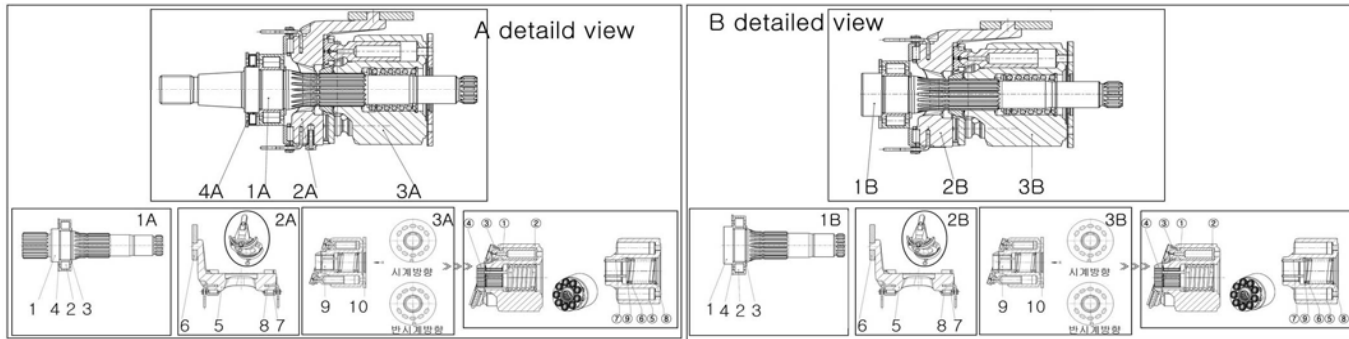
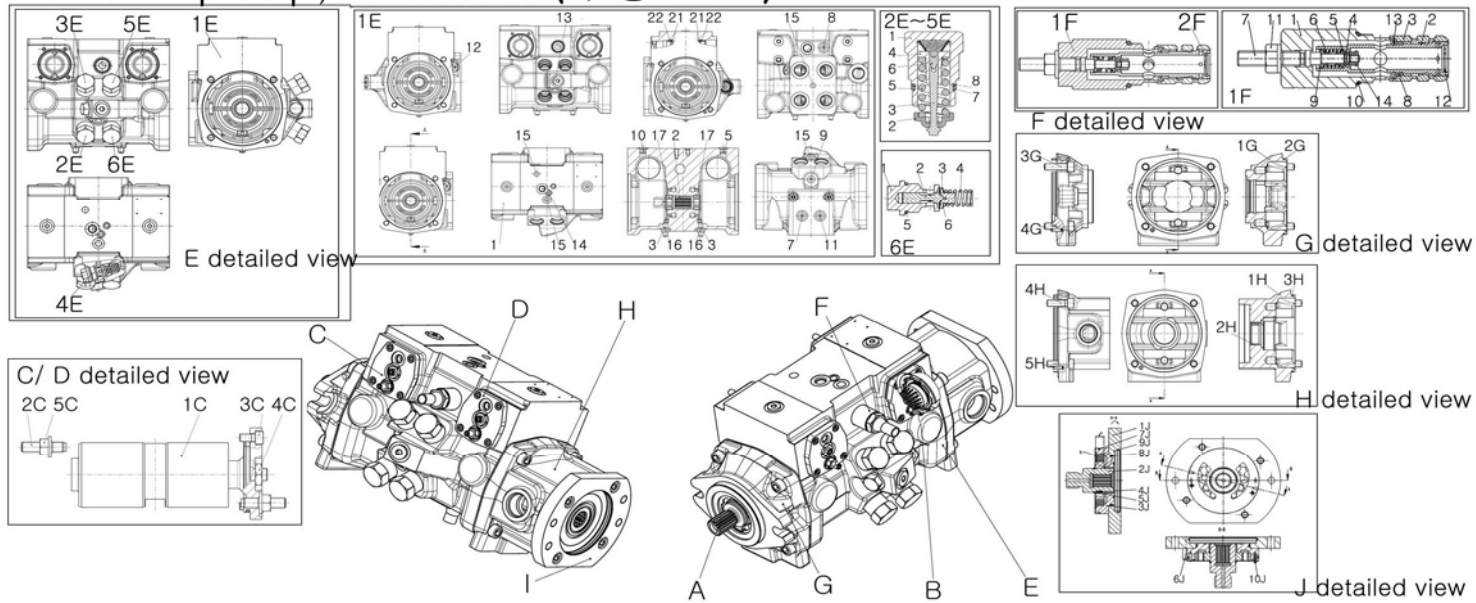
28. Drive pump, Rex Roth (구동 펌프) (Cont'd) (계속)				
No.	Name	Part No.	Quantity	Remarks
D	Hydraulic control	R902198999	1	
1C	Positioning piston	R902226745	2	
2C	Threaded pin	R902237894	2	
3C	Socket, head screw	R909083018	8	
4C	Haxagon nut	R902017521	2	
5C	Sealing nut	R909152707	2	
E	Pump housing	R902195979	1	
1E	Pump housing complete	R902195977	1	
1	Pump housing	R902167193	1	
2	Through drive coupling	R902195052	1	
3	Eccentric screw	R902049734	2	
4	Rod seal kit	R902602138	4	
5	Guide ring	R902603689	4	
6	Locking screw	R909153371	1	
7	Locking screw	R909153371	1	
8	Locking screw	R909153371	1	
9	Locking screw	R909153371	1	
10	Locking screw	R909153371	1	
11	Locking screw	R909153371	1	
12	Locking screw	R909153371	1	
13	Locking screw	R909153338	1	
14	Double break off plug	R909831319	1	
15	Double break off plug	R902049733	1	
16	Sealing nut	R909153271	1	
17	Plain roller bearing	R909831337	2	

28. Drive pump, Rex Roth (구동 펌프)



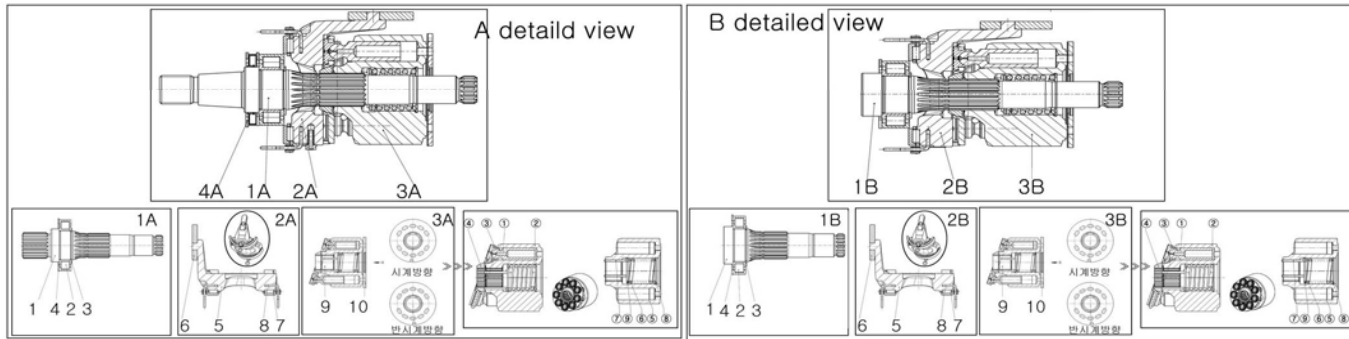
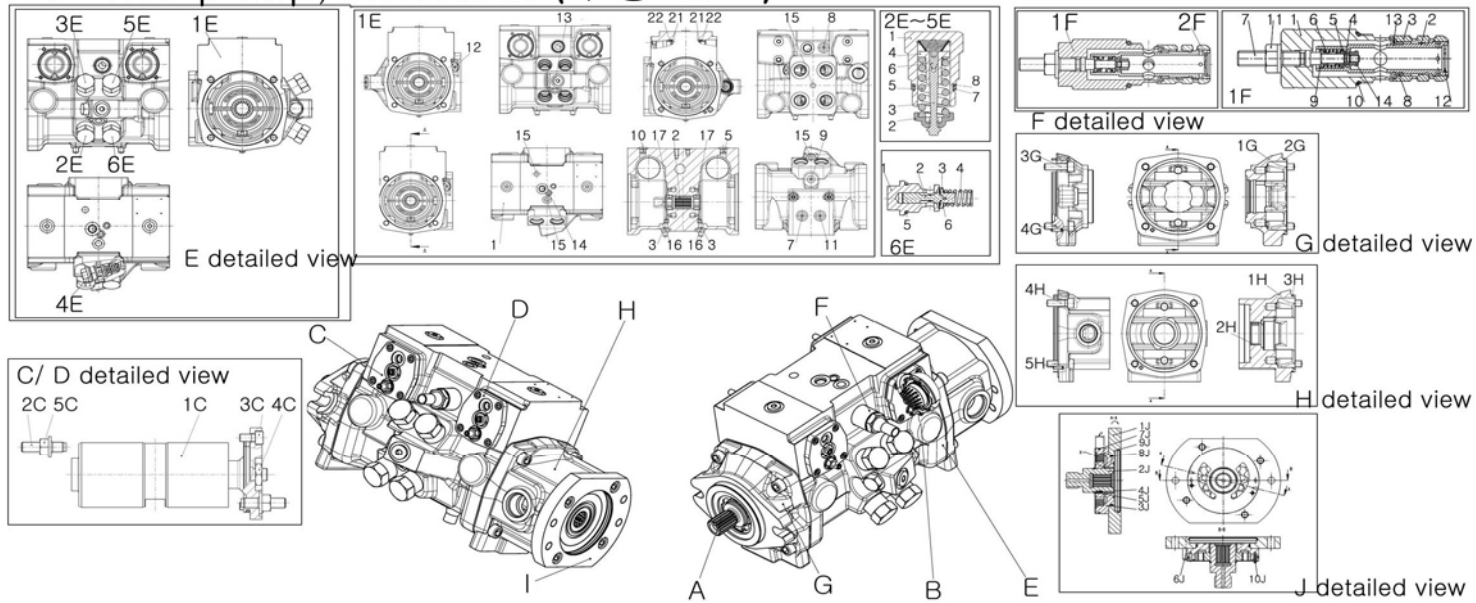
28. Drive pump, Rex Roth (구동 펌프) (Cont'd) (계속)				
No.	Name	Part No.	Quantity	Remarks
2E	Pressure relief valve HD250-530	R902016398	4	
1	Locking screw	R909445618	4	
2	Valve collar	R902010478	4	
3	Valve spindle	R902010477	4	
4	Spring loading nut	R902016288	4	
5	Pressure spring	R909921948	4	
6	Threaded pin	R902016289	4	
7	O ring	R909083761	4	
8	Back up ring	R909831768	4	
3E	Pressure relief valve HD250-530	R902016398	4	
4E	Pressure relief valve HD250-530	R902016398	4	
5E	Pressure relief valve HD250-530	R902016398	4	
6E	Pressure relief valve ND15-30	R902018492	1	
1	Locking screw	R902168491	1	
2	Valve spindle	R902168489	1	
3	Spring colloar	R902168490	1	
4	Pressuring spring	R902435901	1	
5	O ring	R909152694	1	
6	Shim	R909153402	1	
F	Control cartridge w. orifice	R902115351	1	
1F	Control cartridge without orifice	R902000520	1	
1	Control screw	R909414726	1	
2	Differential piston	R902037909	1	
3	Controller pipe	R909921883	1	
4	Washer	R909421327	1	

28. Drive pump, Rex Roth (구동 펌프)



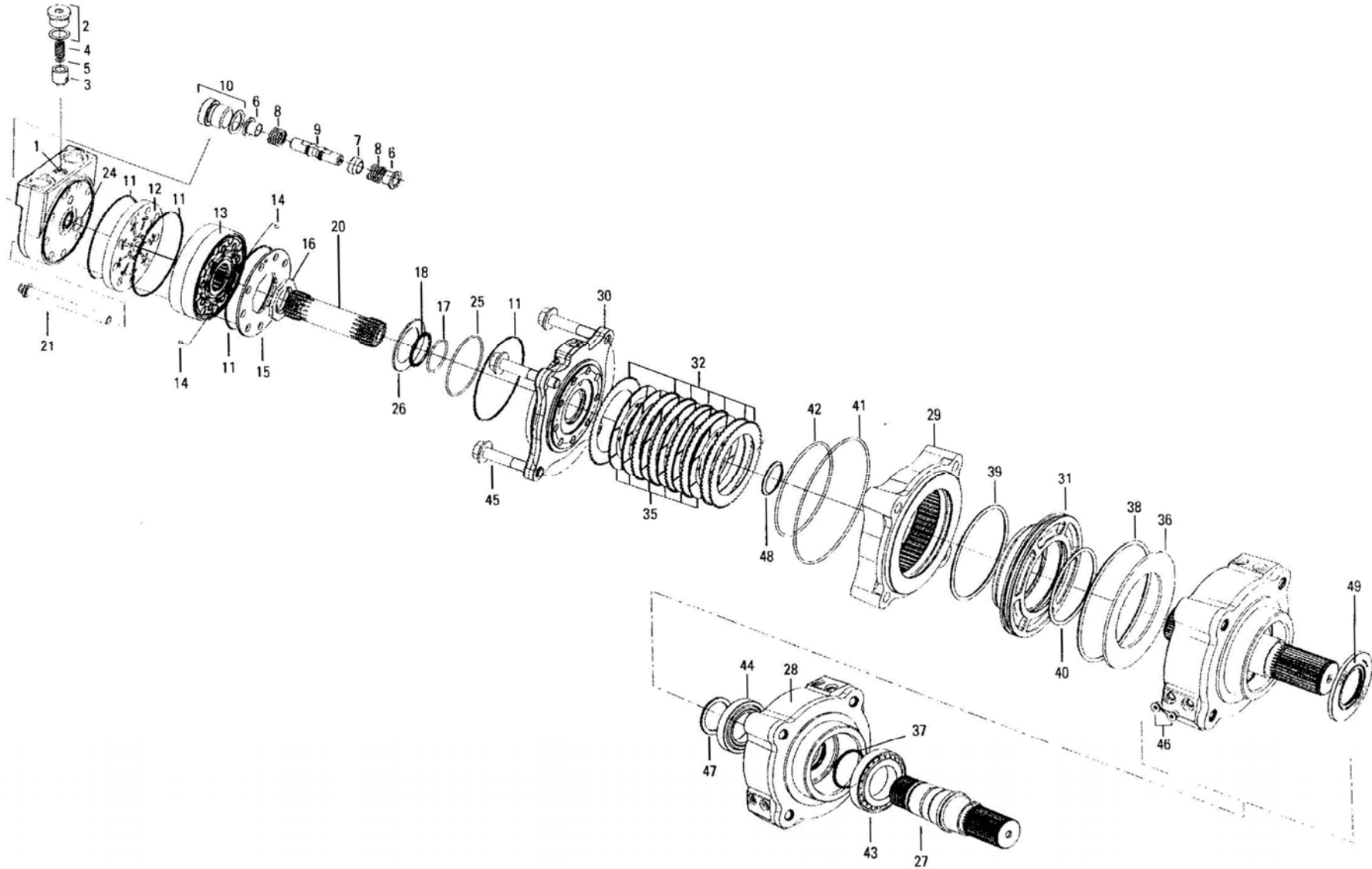
28. Drive pump, Rex Roth (구동 펌프) (Cont'd) (계속)				
No.	Name	Part No.	Quantity	Remarks
5	Spring collar	R909414047	2	
6	Pressure spring	R902228522	1	
7	Threaded pin	R902037910	1	
8	Ring	R909921887	1	
9	Circlip	R909156476	1	
10	O ring	R909083761	1	
11	Sealing nut	R909152707	1	
12	Retaining ring	R909083380	1	
13	Seeger v ring	R909153848	1	
14	Hexagon nut	R909157287	1	
2F	Orifice	R909408665	1	
G	Bearing flange, complete	R902195264	1	
1	Bearing flange	R902195931	1	
2	O ring	R909086678	1	
3	Socket, head screw	R909086573	4	
4	Cylinder pin	R900748992	1	
H	Bearing flange, complete	R902205458	1	
1	Bearing flange	R902167094	1	
2	Bearing bushing	R909449136	1	
3	O ring	R909086678	4	
4	Socket, head screw	R909086573	1	
5	Cylinder pin	R900748992	1	
I	Internal gear pump	R902167060	1	
1	Intermediate flange	R902148201	1	
2	Through drive coupling	R902095397	1	

28. Drive pump, Rex Roth (구동 펌프)



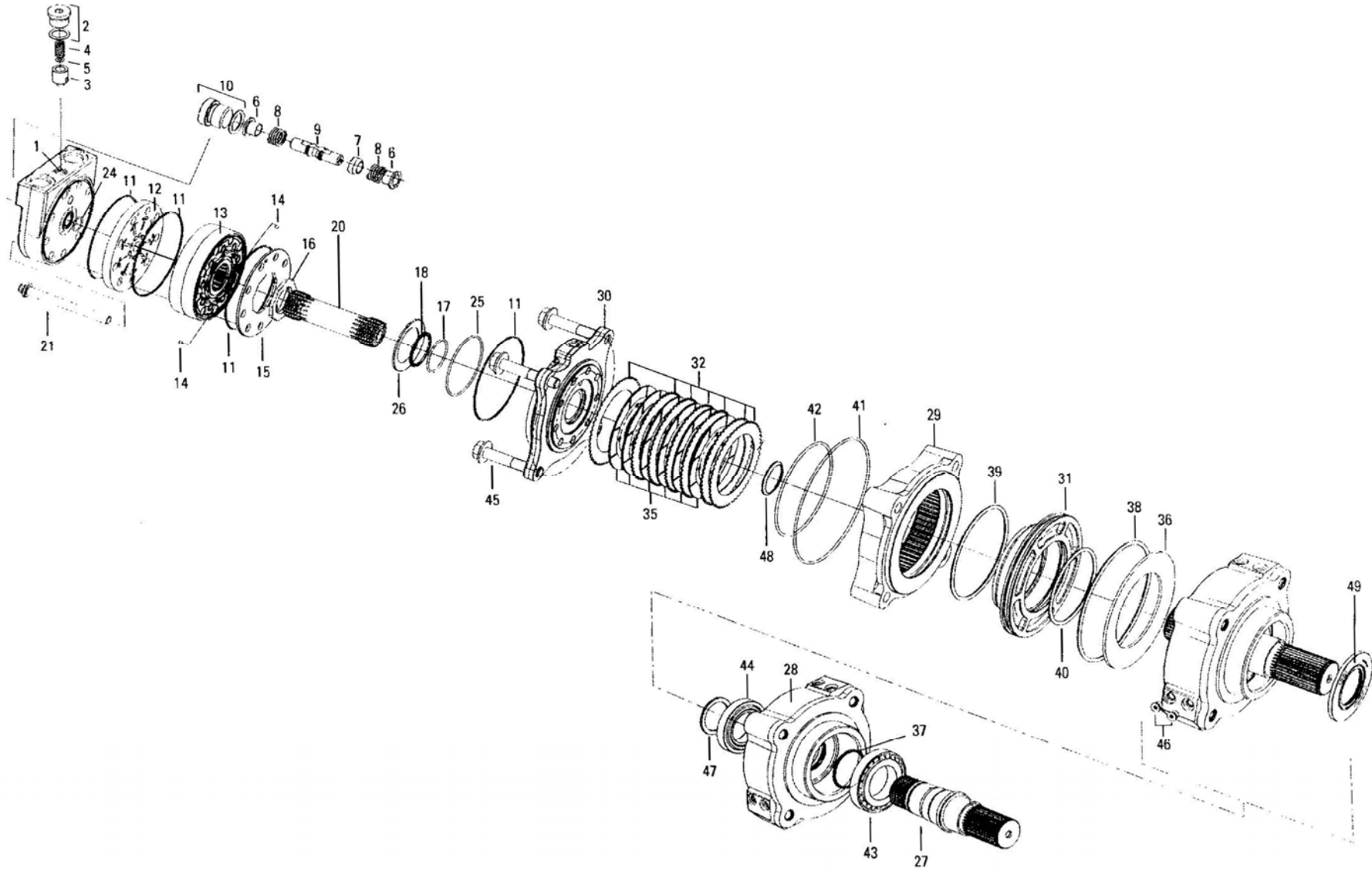
28. Drive pump, Rex Roth (구동 펌프) (Cont'd) (계속)				
No.	Name	Part No.	Quantity	Remarks
3	Int. gear pump case with accessories	R902124940	1	
4	Shaft key	R902025645	1	
5	Snap ring	R909156930	1	
6	Socket, head screw	R909083060	4	
7	O ring	R909086823	1	
8	O ring	R909084504	1	
9	O ring	R913032365	1	
10	Cylinder pin	R909087694	1	

30. Drive motor (구동 모터) (구동 모터, 비스 모터)



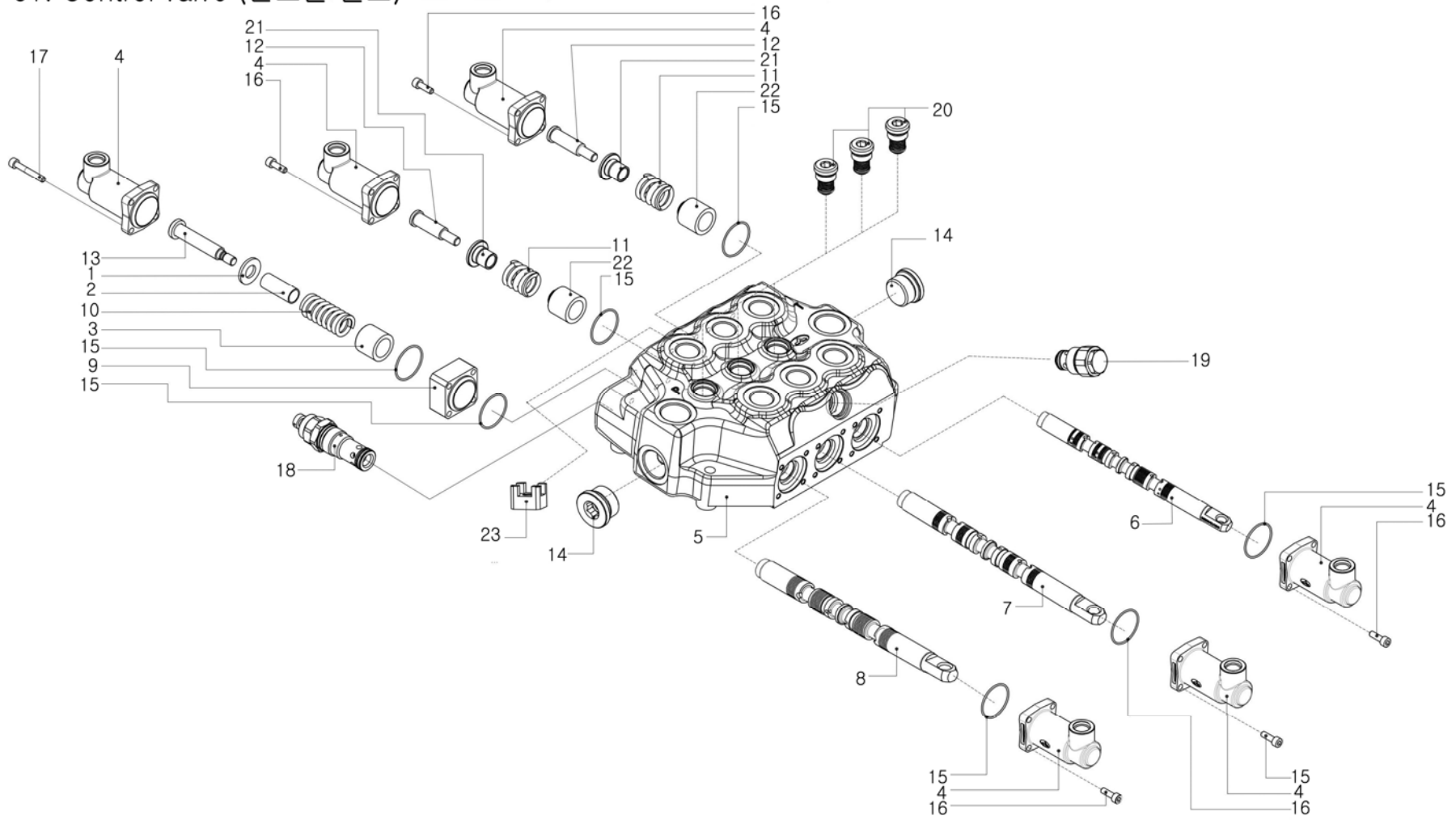
30. Drive motor (구동 모터)				
No.	Name	Part No.	Quantity	Remarks
1	End cap	5986496-001	1	
2	Plug / O-ring sub assembly	9072-004	1	
3	Poppet	113538-001	1	
4	Spring	17024-024	1	
5	Shim	16048-500	1	
6	Sleeve dash pot	112126-001	2	
7	Poppet	8567-000	2	
8	Spring	230079-000	2	
9	Piston, shuttle	201494-002	1	
10	Plug / O-ring sub assembly	9266-006	1	
11	Seal	14559-015	4	
12	Plate, valve	5986477-001	1	
13	Geroler	5986480-000	1	
14	Ball	285020-060	2	
15	Plate, balance (outer)	5986478-001	1	
16	Plate, balance (inner)	203516-001	1	
17	O-ring	112530-135	1	
18	Ring, back-up	14649-001	1	
20	Drive	4992211-000	1	
21	Screw, 12PT	114154-000	9	
24	O-ring	250183-002	1	
25	Seal	112530-179	1	
26	Spring, belleville disc	203542-001	1	
27	Output shaft	5987386-001	1	
28	Sprocket housing	5987504-001	1	

30. Drive motor (구동 모터) (구동 모터, 비스 모터)



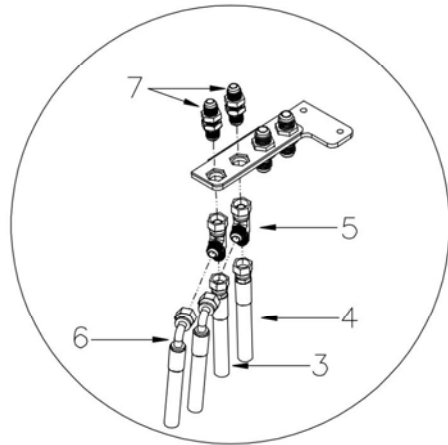
30. Drive motor (구동 모터) (Cont'd) (계속)				
No.	Name	Part No.	Quantity	Remarks
29	Friction housing	5987506-001	1	
30	Brake flange	4994534-003	1	
31	Piston	5987508-001	1	
32	Stationary plate	5987531-001	6	
35	Friction pad assembly	5987570-001	6	
36	Belleville spring	5987512-001	1	
37	Quad ring seal	5987513-001	1	
38	O-ring	5987532-366	1	
39	O-ring	5987532-358	1	
40	O-ring	5987532-349	1	
41	O-ring	112530-265	1	
42	O-ring	112530-256	1	
43	Bearing	5987517-001	1	
44	Bearing	9103-026	1	
45	Flange head bolt	5987609-001	4	
46	Plug assembly	9072-003	2	
47	Retaining ring	14820-000	1	
48	Shaft face seal	9080-001	1	
49	Grease seal (optional)	5989247-001	1	

31. Control valve (콘트롤 밸브)

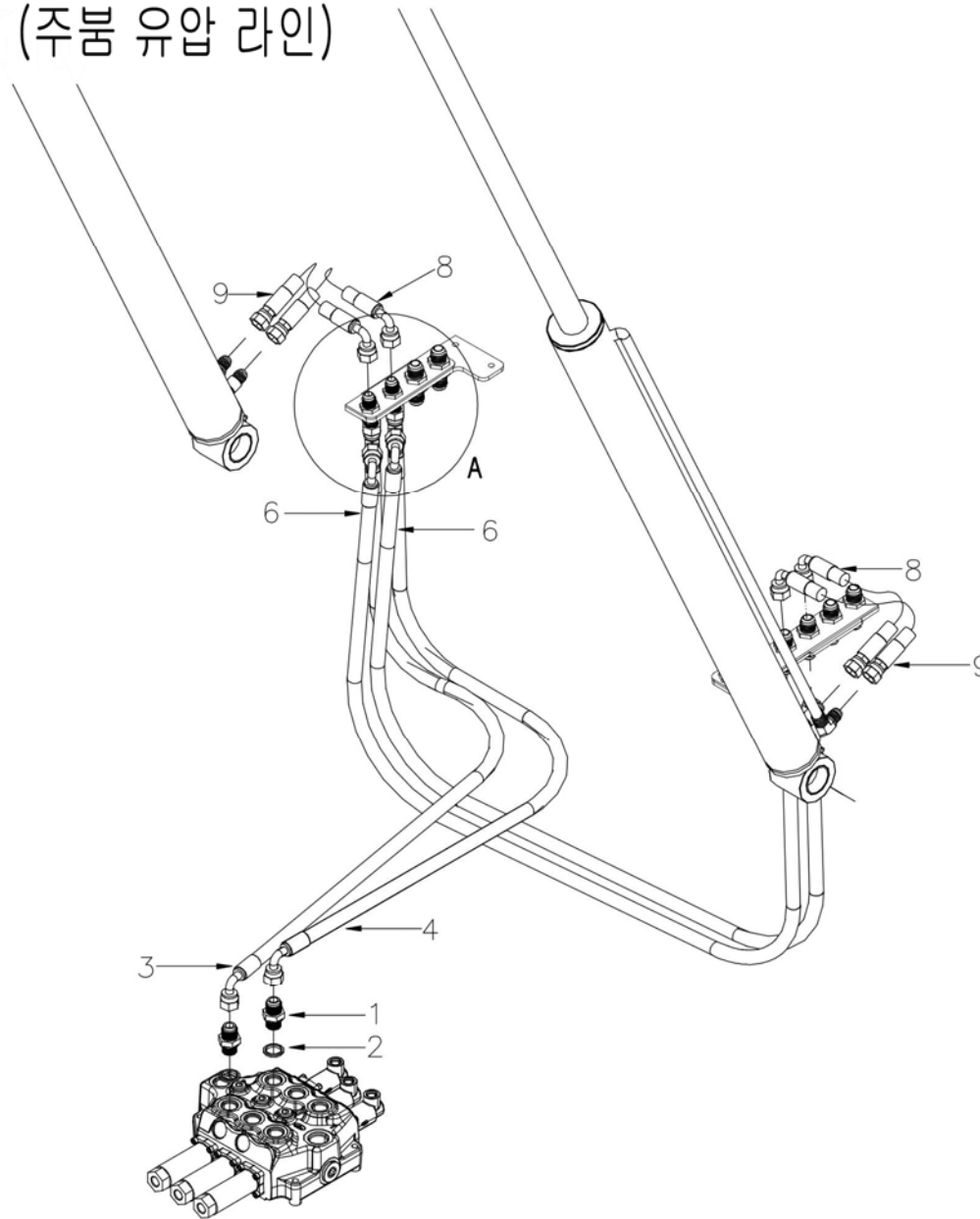


31. Control valve (콘트롤 밸브)				
No.	Name	Part No.	Quantity	Remarks
1	Ring	3ANe115350	1	
2	Ring	3ANE125025	1	
3	Boccola 12IM/SDM140	3BOC426230	1	
4	Cappellotto 81IM/SD8-SDM140	3CAP350770	6	
5	SDM141/3	3CO1913009	1	
6	Spool	3CU1340350	1	
7	Spool	3CU1310350	1	
8	Spool	3CU1310330	1	
9	Distanziale Comando 12IM/SDM140	3DIS232240	1	
10	Molla 12IM/SDM140	3MOL422500	1	
11	Molla Comando 8IM/S8	3MOL425291	2	
12	Vite 81IMF3/DSL8-M8	3VIT115480	2	
13	Screw M8	3VIT118730	1	
14	Plug	3XTAP732200	1	
15	O-ring	4GUA131518	7	
16	Vite Tcei UNI-5931	4VIT605016	20	
17	Vite Tcei UNI-5931	4VIT605030	4	
18	Main relief vavle VMP140 (XG-175)	X134211175	1	
19	Valvola C/SD8	XCAR408115	1	
20	VR10-90SH KIT	XKIT010200	3	
21	Boccola Cursore 8IMY/S8	3BOC426270	2	
22	Boccola Guidamolla	3BOC325181	2	
23	Piastarina FC5 Bocche SDM141	3SPE217053	1	

32. Hydraulic line of lift arm (주봉 유압 라인)

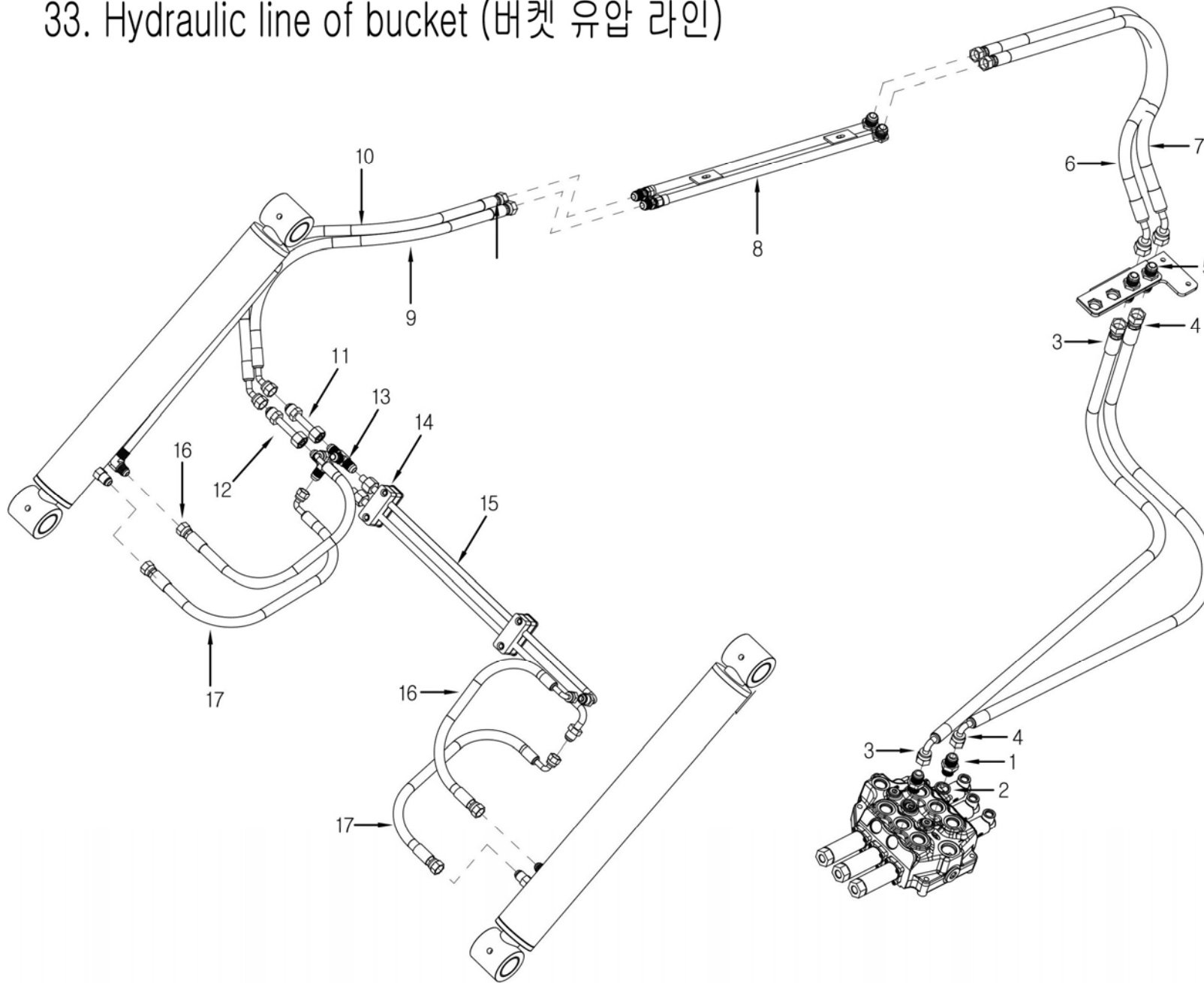


A 부분상세도



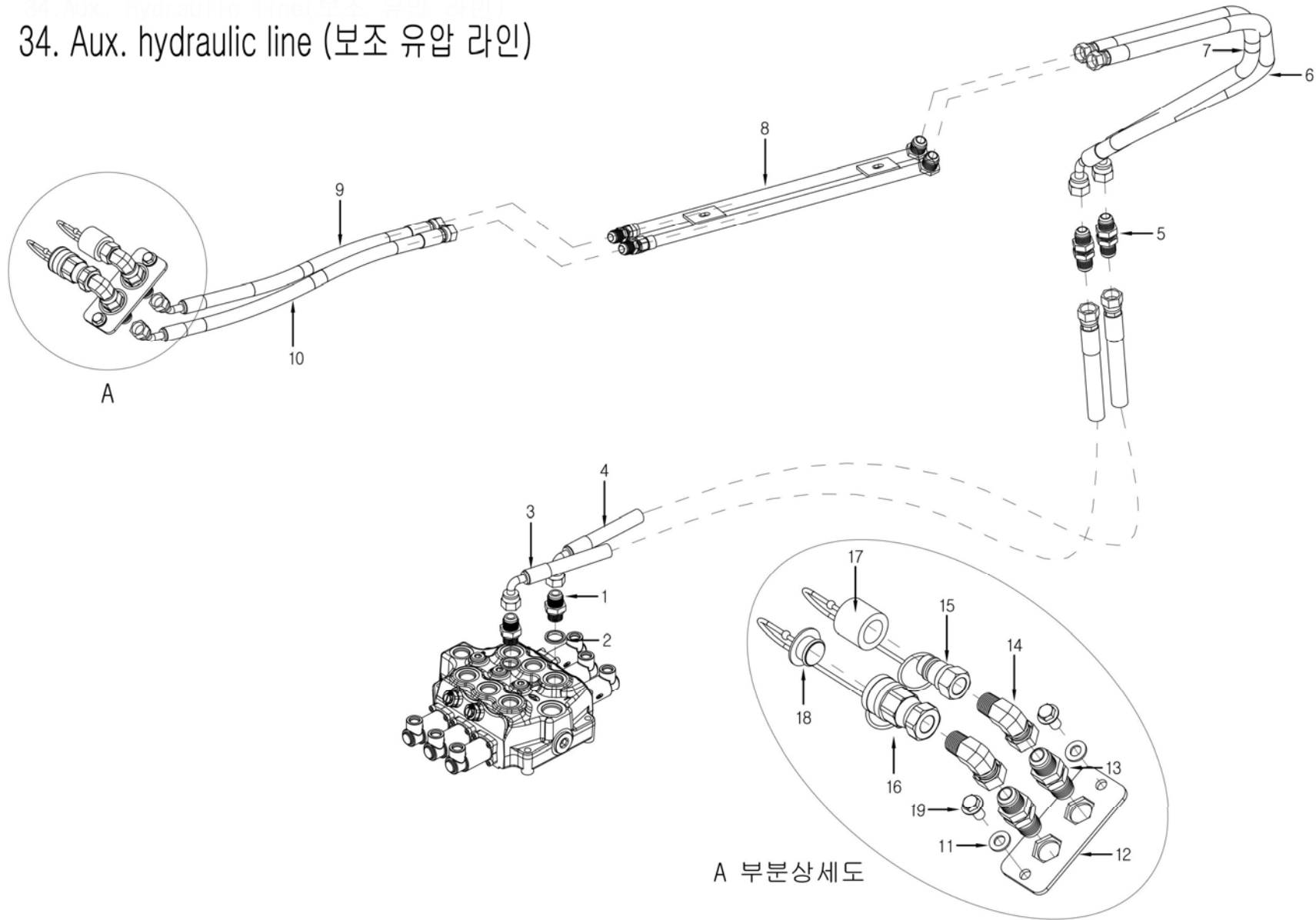
32. Hydraulic line of lift arm (주뿔 유압 라인)				
No.	Name	Part No.	Quantity	Remarks
1	Hose nipple to control valve (호스 니뿔, 콘트롤 밸브)	350-3201	2	
2	Bonded seal (본디드 씬)	350-3202	2	
3	Hose (control valve*distributing nipple) (호스 (콘트롤 밸브*분배니뿔))	350-3203	1	
4	Hose (control valve*coupling nipple) (호스 (콘트롤 밸브*연결니뿔))	350-3204	1	
5	Distributing nipple (분배 니뿔)	350-3205	2	
6	Hose (distributing nipple*coupling nipple) (호스(분배 니뿔*연결니뿔))	350-3206	2	
7	Coupling nipple (연결 니뿔)	350-3207	2	
8	Hose (coupling nipple*lift cylinder) (호스 (연결니뿔*뿔실린더))	350-3208	2	
9	Hose (coupling nipple*lift cylinder) (호스 (연결니뿔*뿔실린더))	350-3209	2	

33. Hydraulic line of bucket (버킷 유압 라인)



33. Hydraulic line of bucket (버킷 유압 라인)				
No.	Name	Part No.	Quantity	Remarks
1	Hose nipple to control valve (호스 니플, 콘트롤 밸브)	350-3301	2	
2	Bonded seal (본디드 씬)	350-3302	2	
3	Hose (control valve*coupling nipple) (호스 (콘트롤 밸브*연결니플))	350-3303	1	
4	Hose (control valve*coupling nipple) (호스 (콘트롤 밸브*연결니플))	350-3304	1	
5	Coupling nipple (연결 니플)	350-3305	2	
6	Hose (coupling nipple*steel pipe) (호스 (연결니플*철배관))	350-3306	1	
7	Hose (coupling nipple*steel pipe) (호스 (연결니플*철배관))	350-3307	1	
8	Steel pipe (철 배관)	350-3308	2	
9	Hose (steel pipe*steel pipe) (호스 (철배관*철배관))	350-3309	1	
10	Hose (steel pipe*steel pipe) (호스 (철배관*철배관))	350-3310	1	
11	Steel pipe (철 배관)	350-3311	1	
12	Steel pipe (철 배관)	350-3312	1	
13	Distributing nipple(분배 니플)	350-3313	1	
14	Clamp (크램프)	350-3314	2	
15	Steel pipe (철 배관)	350-3315	2	
16	Hose (steel pipe*tilt cylinder for tilting forward) (호스 (철배관*버킷실린더퍼짐))	350-3316	2	
17	Hose (steel pipe*tilt cylinder for curling up) (호스 (철배관*버킷실린더오므림))	350-3317	2	

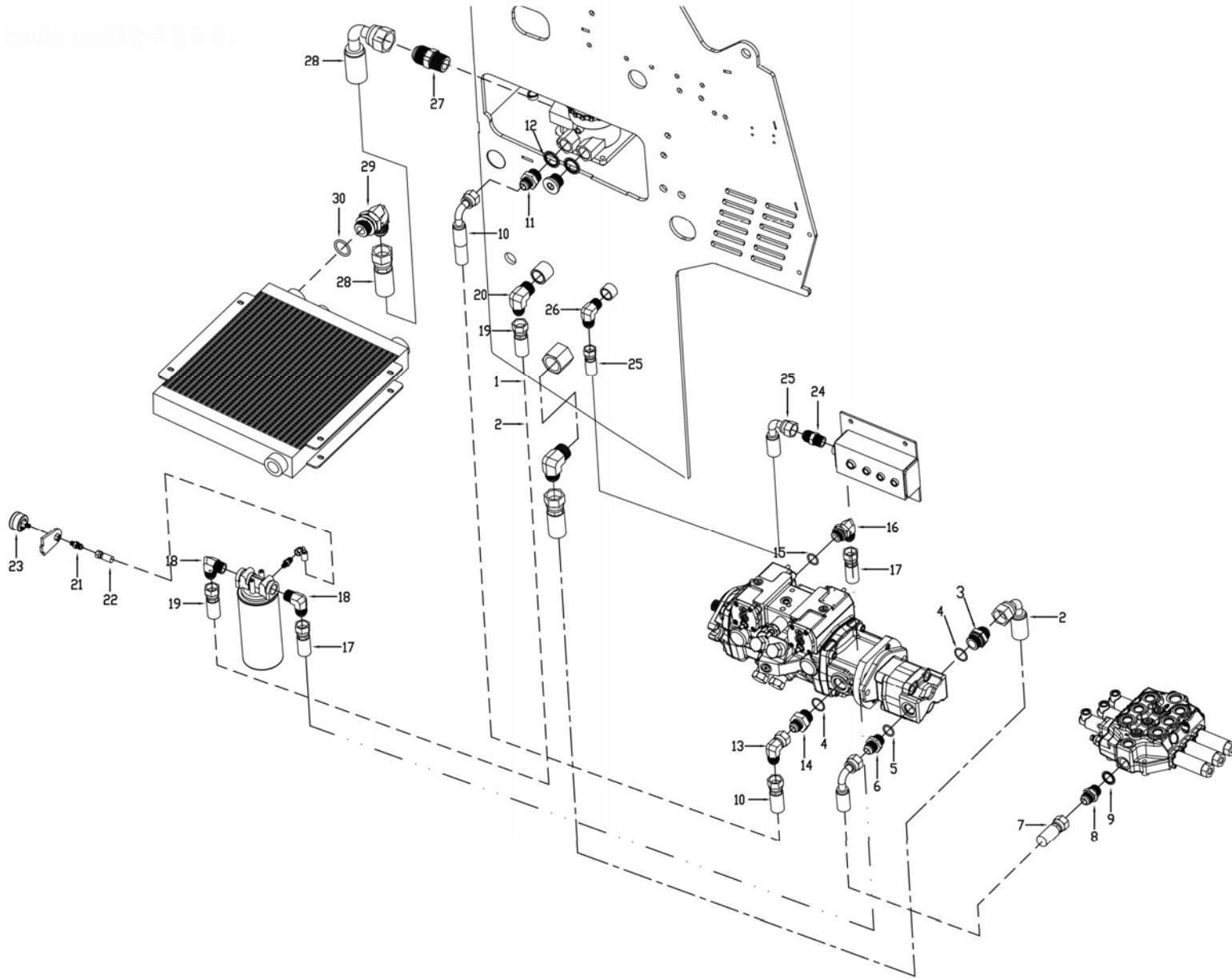
34. Aux. hydraulic line (보조 유압 라인)



A 부분상세도

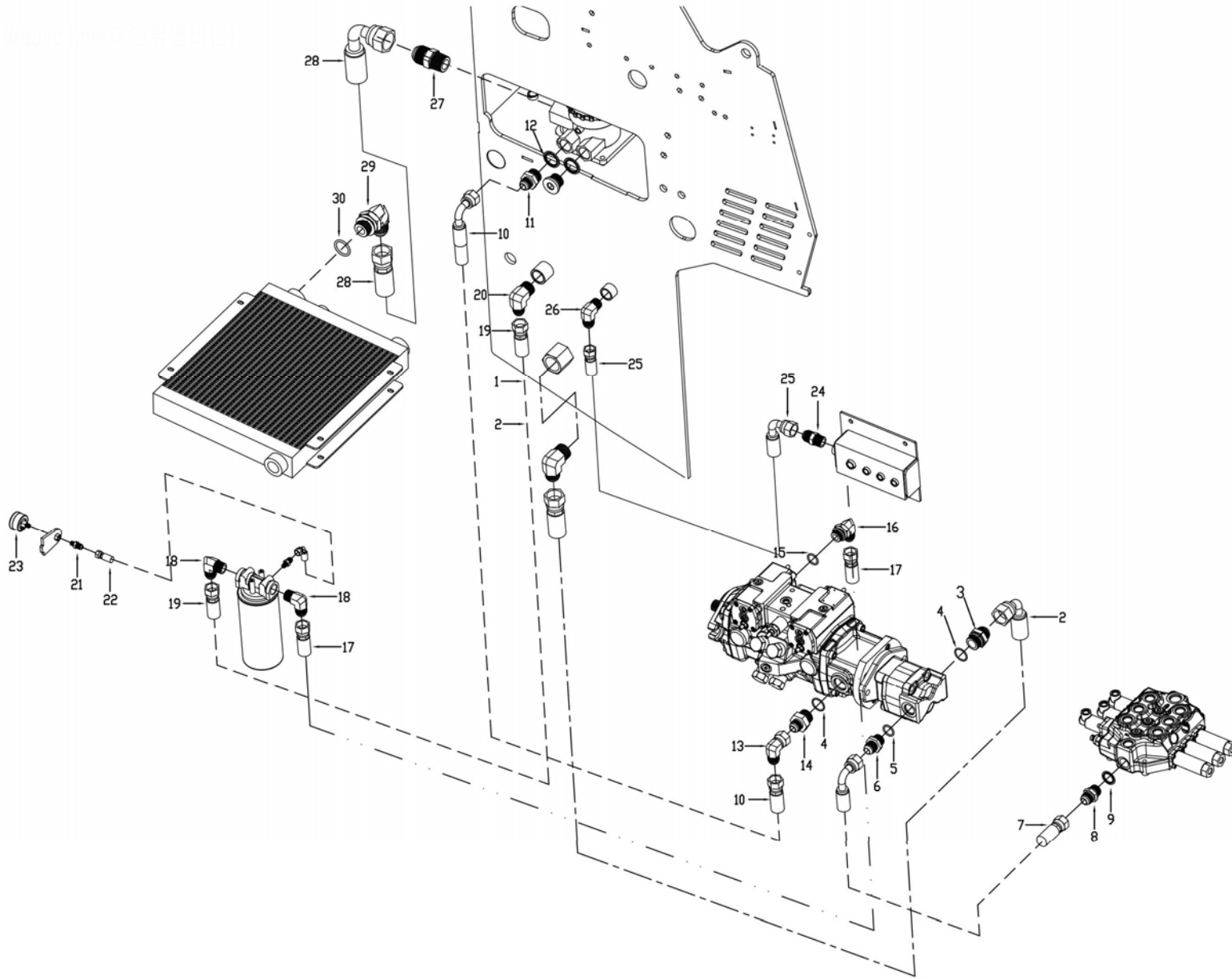
34. Aux. hydraulic line (보조 유압 라인)				
No.	Name	Part No.	Quantity	Remarks
1	Hose nipple ST to control valve (호스 니플 ST, 콘트롤 밸브)	350-3401	2	
2	Bonded seal(본디드 씬)	350-3402	2	
3	Hose (control valve*coupling nipple) (호스 (콘트롤 밸브*연결 니플))	350-3403	1	
4	Hose (control valve*coupling nipple) (호스 (콘트롤 밸브*연결 니플))	350-3404	1	
5	Hose nipple (호스 니플)	350-3405	2	
6	Hose (coupling nipple*steel pipe) (호스 (연결 니플*철배관))	350-3406	1	
7	Hose (coupling nipple*steel pipe) (호스 (연결 니플*철배관))	350-3407	1	
8	Steel pipe (철 배관)	350-3408	4	
9	Hose (steel pipe*quick coupling) (호스 (철배관*퀵 커플링))	350-3409	2	
10	Hose (steel pipe*quick coupling) (호스 (철배관*퀵 커플링))	350-3410	2	
11	Washer (와셔)	350-3411	2	
12	Fixed plate (고정판)	350-3412	1	
13	Hose nipple ST (호스 니플 ST)	350-3413	2	
14	Nipple L (니플 L)	350-3414	1	
15	Quick coupling, input (퀵 커플링, 입력)	350-3415	1	
16	Quick coupling, output (퀵 커플링, 출력)	350-3416	1	
17	Quick coupling, input (퀵 커플링, 출력)-커플링 캡	350-3417	1	
18	Quick coupling, output (퀵 커플링, 입력)-커플링 캡	350-3418	1	
19	Bolt (볼트)	350-3419	2	

35. Main hydraulic line (메인 유압 라인)



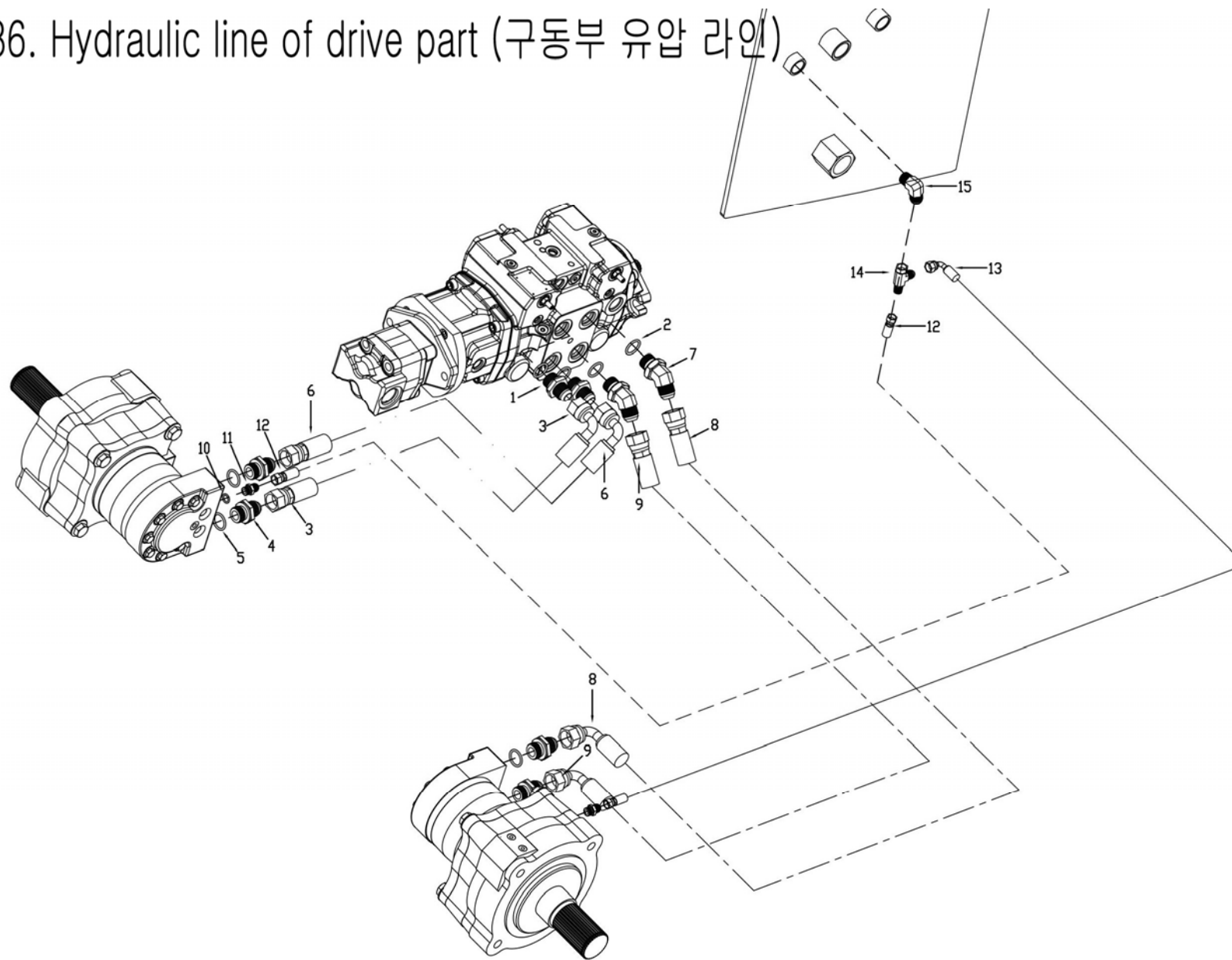
35. Main hydraulic line (메인 유압 라인)				
No.	Name	Part No.	Quantity	Remarks
1	Hose nipple ST for suction filter (석션 필터용 호스 니플 ST)	350-3501	1	
2	Hose (tank*gear pump(input)) (호스 (탱크*기어 펌프,입력))	350-3502	1	
3	Hose nipple ST for gear pump, input (호스 니플 ST, 기어 펌프 입력)	350-3503	1	
4	O-ring (오링)	350-3504	2	
5	O-ring (오링)	350-3505	1	
6	Hose nipple ST for gear pump, output (호스 니플 ST, 기어 펌프 출력)	350-3506	1	
7	Hose (gear pump, output*control valve, input) (호스 (기어 펌프,출력*컨트롤 밸브, 입력))	350-3507	1	
8	Hose nipple ST for control valve (호스 니플 ST, 컨트롤 밸브)	350-3508	1	
9	Bonded Seal (본디드셀)	350-3509	1	
10	Hose (호스)	350-3510	1	
11	Nipple (니플)	350-3511	1	
12	Bonded Seal (본디드셀)	350-3512	2	
13	Coupling nipple (연결 니플)	350-3513	1	
14	Nipple (니플)	350-3514	1	
15	O-ring (오링)	350-3515	1	
16	Nipple (니플)	350-3516	1	
17	Hose (호스)	350-3517	1	
18	Hose nipple L for spin-on filter(호스 니플 L, 리턴 필터)	350-3518	1	
19	Hose(spin-on filter*dual hyd' oil filter)(호스(리턴 필터*유압탱크))	350-3519	1	
20	Nipple (니플)	350-3520	1	
21	Nipple (니플)	350-3521	1	
22	Hose (호스)	350-3522	1	
23	Pressure gauge (압력 게이지)	350-3523	1	
24	Hose nipple EL (호스니플 EL)	350-3524	1	
25	Hose (호스)	350-3525	1	

35. Main hydraulic line (메인 유압 라인)



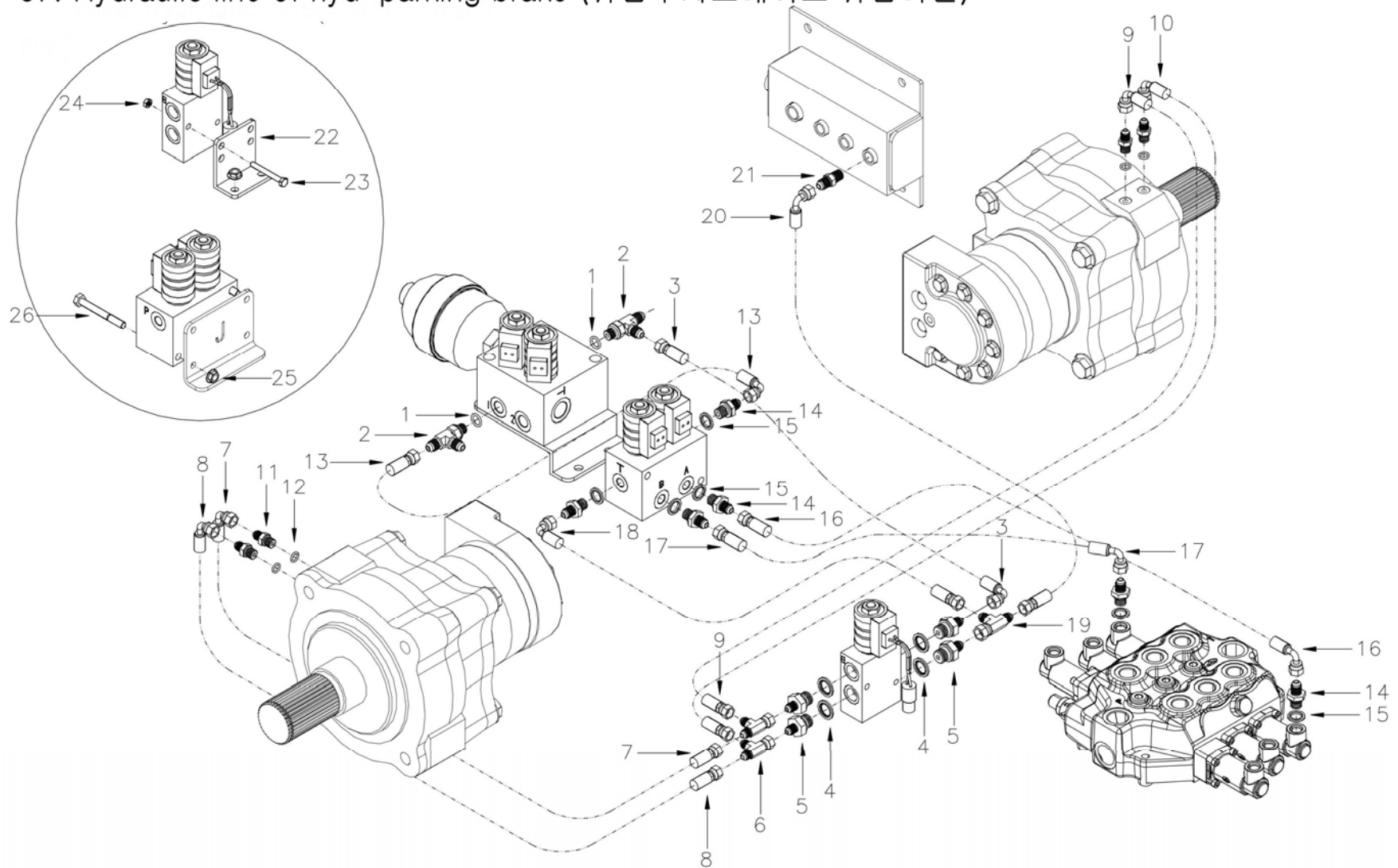
35. Main hydraulic line (메인 유압 라인) (Cont'd) (계속)				
No.	Name	Part No.	Quantity	Remarks
26	Nipple (니플)	350-3526	1	
27	Nipple (니플)	350-3527	1	
28	Hose (호스)	350-3528	2	
29	Nipple (니플)	350-3529	1	
30	O-ring (오링)	350-3530	2	

36. Hydraulic line of drive part (구동부 유압 라인)



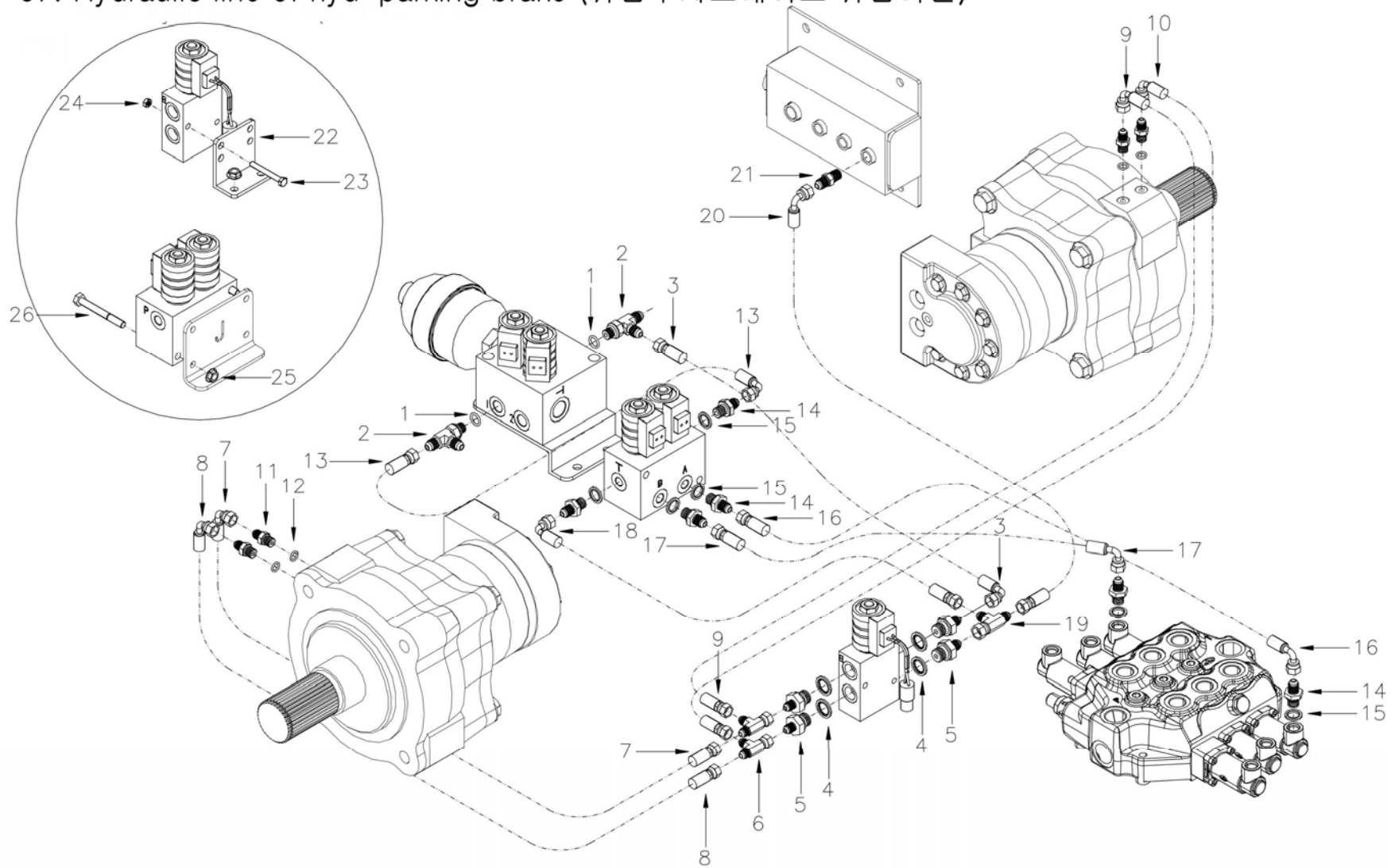
36. Hydraulic line of drive part (구동부 유압 라인)				
No.	Name	Part No.	Quantity	Remarks
1	Hose nipple ST, drive pump (호스 니플 ST)	350-3601	2	
2	O-ring (오링)	350-3602	4	
3	Hose (drive pump*drive motor) (호스 (구동 펌프 2*구동 모터)) RH-하	350-3603	1	
4	Hose nipple, drive motor (구동 모터 호스 니플)	350-3604	4	
5	O-ring (오링)	350-3605	4	
6	Hose (drive pump*drive motor) (호스 (구동 펌프 2*구동 모터)) RH-상	350-3606	1	
7	Hose nipple EL for charge pump (충전펌프 호스 니플 EL)	350-3607	2	
8	Hose (drive pump*drive motor) (호스 (구동 펌프 1*구동 모터)) LH-상	350-3608	1	
9	Hose (drive pump*drive motor) (호스 (구동 펌프 1*구동 모터)) LH-하	350-3609	1	
10	O-ring (오링)	350-3610	2	
11	Hose nipple T for charge pump (충전 펌프 호스 니플)	350-3611	2	
12	Hose (draing, drive motor*tank) (호스(구동모터 드레인 * 탱크))	350-3612	1	
13	Hose (drain, drive motor*tank) (호스(구동모터 드레인 * 탱크))	350-3613	1	
14	Hose nipple T (호스니플 T)	350-3614	1	
15	Coupling nipple (연결 니플)	350-3615	1	

37. Hydraulic line of hyd' parking brake (유압주차브레이크 유압라인)



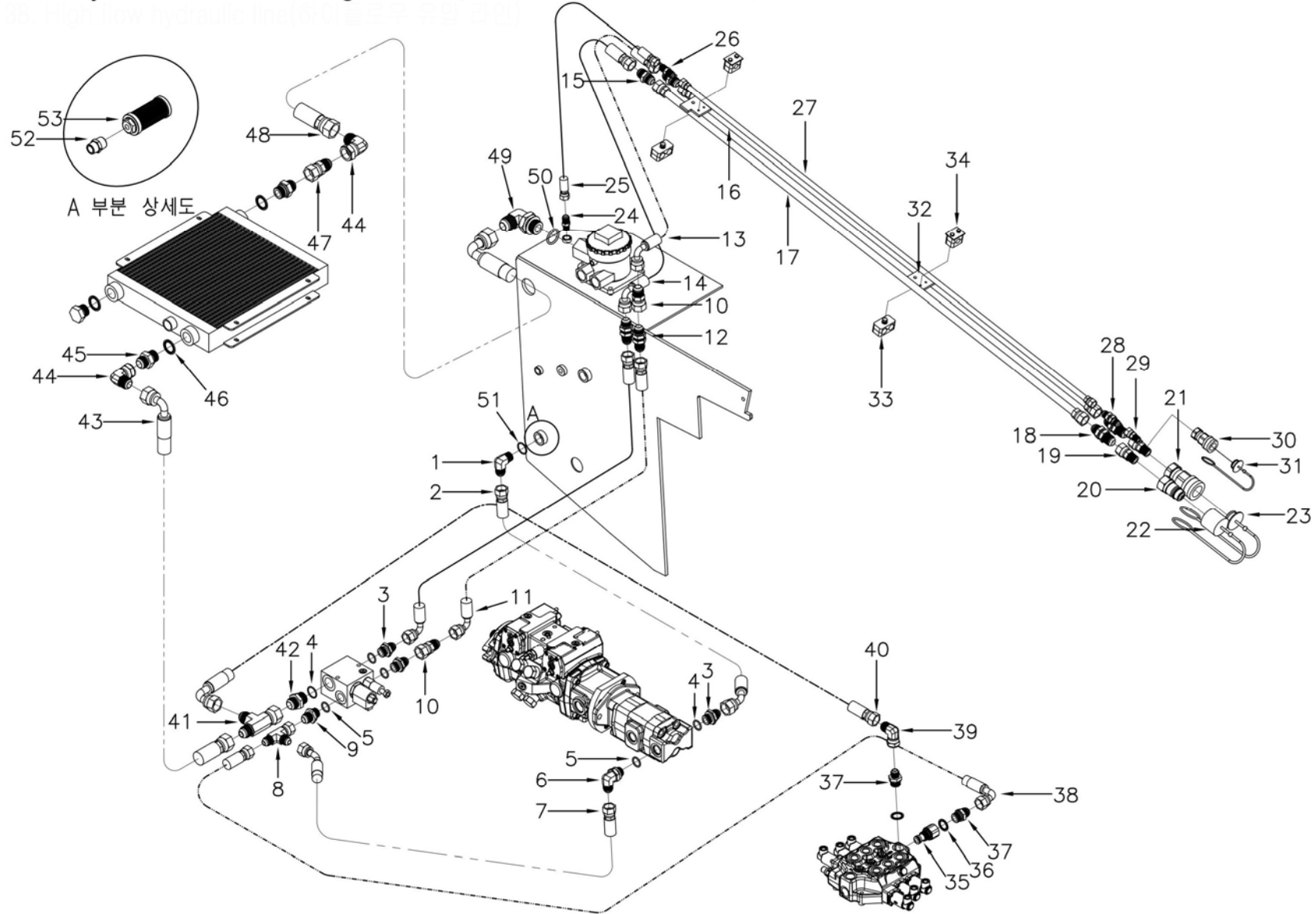
37. Hydraulic line of hyd' parking brake (유압주차브레이크 유압라인)				
No.	Name	Part No.	Quantity	Remarks
1	O-ring (오 링)	350-3701	2	
2	Coupling nipple (연결 니플)	350-3702	2	
3	Hose (main solenoid valve*solenoid valve) (호스(메인솔밸브*4WAY 밸브))	350-3703	1	
4	Bonded Seal (본디드씰)	350-3704	4	
5	Hose nipple, solenoid valve (호스니플(4WAY 밸브))	350-3705	4	
6	Coupling nipple (연결 니플)	350-3706	2	
7	Hose (distributing nipple T(EL)*RH motor release) (Hose (호스 (분배니플 T (EL) * 우측모터 릴리즈))	350-3707	1	
8	Hose (distributing nipple T(EL)*RH motor release) (Hose (호스 (분배니플 T (EL) * 우측모터 릴리즈))	350-3708	1	
9	Hose (distributing nipple T (ST)*LH motor release) (Hose (호스(분배니플 T (ST) *좌측모터 릴리즈))	350-3709	1	
10	Hose (distributing nipple T (ST)*LH motor release) (Hose (호스(분배니플 T (ST) *좌측모터 릴리즈))	350-3710	1	
11	Hose nipple ST, motor booster, release (호스니플 ST, 모터부스트,릴리즈)	350-3711	4	
12	O-ring (오 링)	350-3712	4	
13	Hose (main solenoid valve T (ST)*aux. hydraulics solenoid valve P) (호스(메인솔밸브 T(ST)*보조유압솔밸브 P))	350-3713	1	
14	Hose nipple ST, aux. hydraulics solenoid valve (A,B,T,P) (호스니플 ST,보조유압 솔밸브 (A,B,T,P))	350-3714	6	
15	Bonded seal (본디드씰)	350-3715	6	
16	Hose (control valve*main solenoid valve A) (호스(콘트롤밸브*메인솔밸브 A))	350-3716	1	
17	Hose (control valve*main solenoid valve B) (호스(콘트롤밸브*메인솔밸브 B))	350-3717	1	
18	Hose (aux. hydraulics solenoid valve*solenoid valve) (호스(보조유압솔밸브*4WAY 밸브))	350-3718	1	
19	Hose nipple T (combined pipe1*aux.hydraulic solenoid valve,4 way valve) (호스니플 T (합류관 1* 보조유압솔밸브,4way 밸브))	350-3719	1	
20	Hose (aux. hydraulic solenoid valveT*drain,tank) (호스(보조유압솔밸브 T* 합류관 1))	350-3720	1	
21	Hose nipple ST, combined pipe 1 (호스니플 ST(합류관 1))	350-3721	1	
22	Fixed plate for solenoid valve (4Way 밸브 고정판)	350-3722	1	
23	Bolt (볼트)	350-3723	2	

37. Hydraulic line of hyd' parking brake (유압주차브레이크 유압라인)



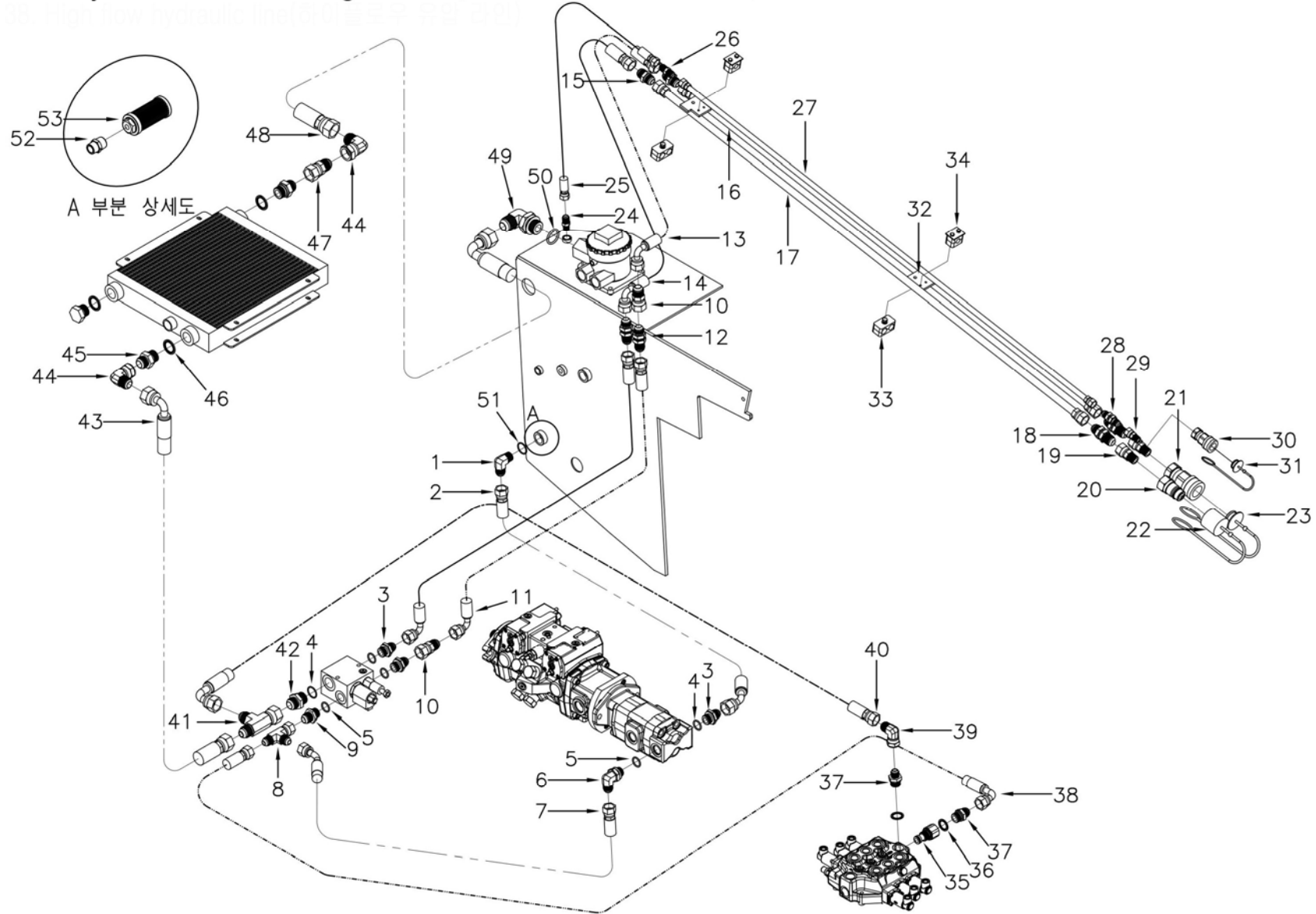
37. Hydraulic line of hyd' parking brake (유압주차브레이크 유압라인) (Cont'd) (계속)				
No.	Name	Part No.	Quantity	Remarks
24	Nut (너트)	350-3724	2	
25	A fixed plate for aux. hydraulics solenoid valve (보조유압솔밸브 고정판)	350-3725	2	
26	Bolt (볼트)	350-3726	2	
27	Solenoid valve (4-way 밸브)	350-3727	1	
28	Aux. hydraulic solenoid valve (보조 유압 솔밸브)	350-3728	1	
29	Main solenoid valve (메인 솔 밸브)	350-3729	1	
30	Main Control valve(메인 컨트롤 밸브)	350-3730	1	
31	Bolt (볼트)	350-3731	2	
32	A fixed plate for main solenoid valve (메인 솔 밸브 고정판)	350-3732	1	
33	Nut (너트)	350-3733	2	
34	Coupling nipple (연결 니플)	350-3734	1	
35	Coupling nipple (연결 니플)	350-3735	1	

38. Hydraulic line of High flow (하이플로우 유압라인)



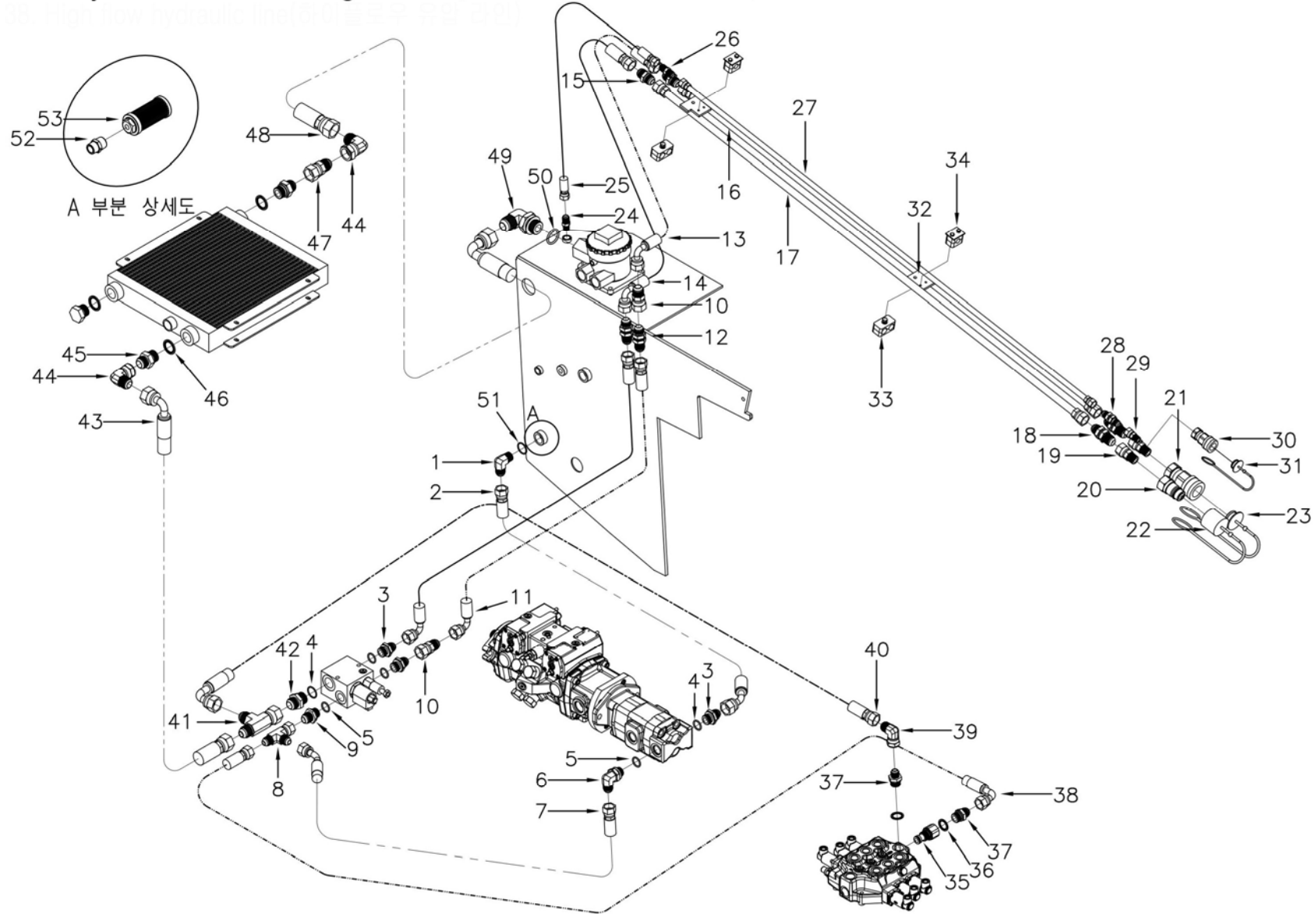
38. Hydraulic line of High flow (하이플로우 유압라인)				
No.	Name	Part No.	Quantity	Remarks
1	Nipple L(니플 L)	350-3801	1	
2	Hose(hose nipple*pressure oil tank)(연결니플 L*유압탱크)	350-3802	1	
3	Nipple (니플)	350-3803	2	
4	O-ring (오링)	350-3804	3	
5	O-ring (오링)	350-3805	3	
6	Hose nipple L for gear pump, output(호스니플 L, 기어펌프 출력)	350-3806	1	
7	Hose(Pressure oil pump*distributing nipple EL)(유압펌프 출력 * 분배 니플 EL)	350-3807	1	
8	Distributing nipple T(분배 니플 T)	350-3808	1	
9	Nipple (니플)	350-3809	2	
10	Coupling nipple (연결 니플)	350-3810	2	
11	Hose(high-flow block*coupling nipple)(하이플로우블럭*연결니플)	350-3811	2	
12	Coupling nipple (연결 니플)	350-3812	2	
13	Hose(coupling nipple*high-flow steel pipe)(연결니플*하이플로우 철파이프)	350-3813	1	
14	Hose(coupling nipple*high-flow steel pipe)(연결니플*하이플로우 철파이프)	350-3814	1	
15	Coupling nipple (연결 니플)	350-3815	2	
16	Hose(coupling nipple*steel pipe)(호스(연결니플*철배관)	350-3816	1	
17	Hose(coupling nipple*steel pipe)(호스(연결니플*철배관)	350-3817	1	
18	Coupling nipple (연결 니플)	350-3818	2	
19	Coupling nipple (연결 니플)	350-3819	2	
20	Quick coupling, input(퀵 커플링, 출력)	350-3820	1	
21	Quick coupling, output(퀵 커플링, 입력)	350-3821	1	
22	Quick coupling, input(퀵 커플링, 출력)-커플링 캡	350-3822	1	
23	Quick coupling, output(퀵 커플링, 입력)-커플링 캡	350-3823	1	
24	Nipple (니플)	350-3824	1	
25	Hose(pressure oil tank*high-flow steel pipe)(유압탱크*하이플로우 철파이프)	350-3825	1	

38. Hydraulic line of High flow (하이플로우 유압라인)



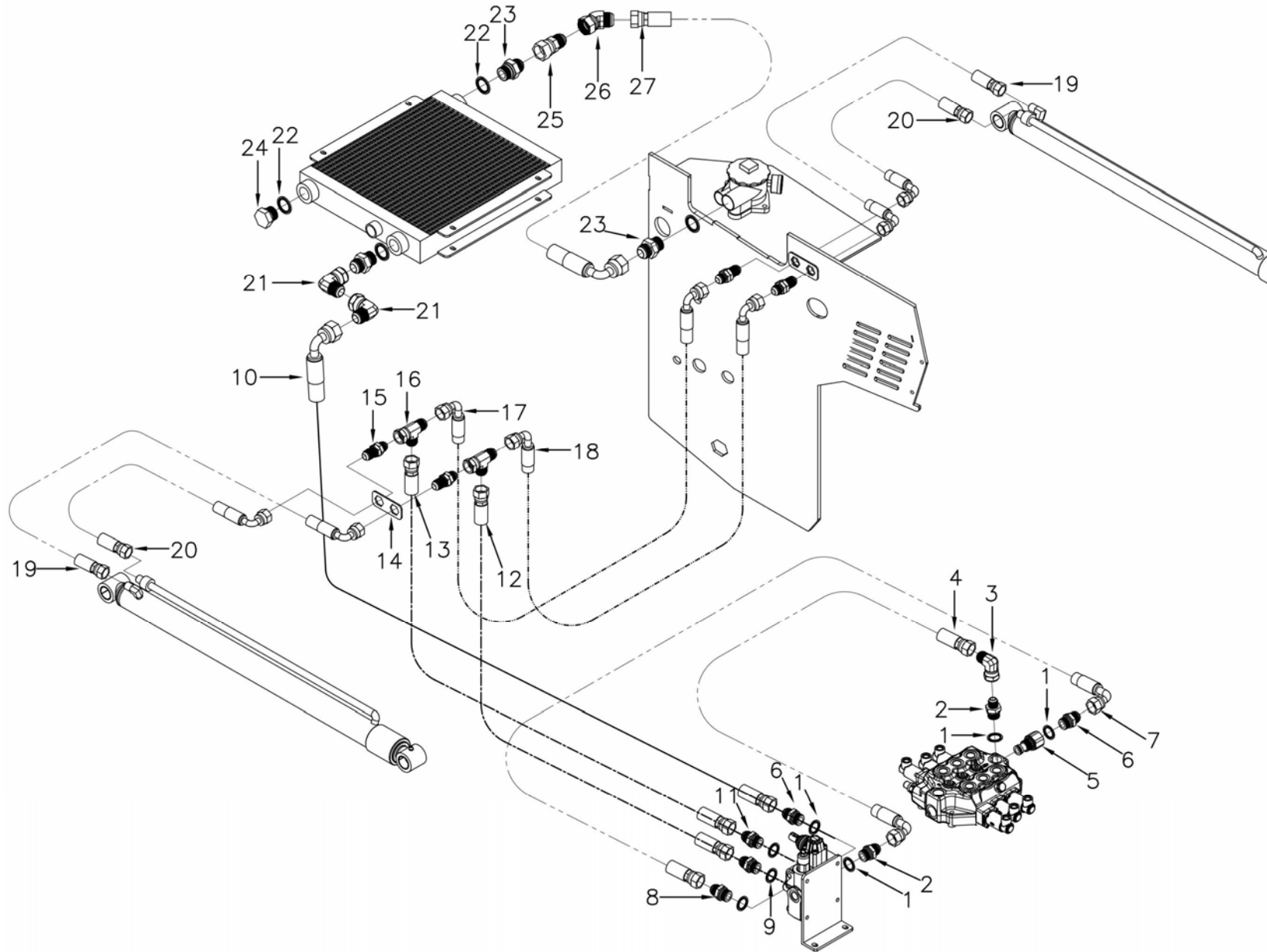
38. Hydraulic line of High flow (하이플로우 유압라인) (Cont'd) (계속)				
No.	Name	Part No.	Quantity	Remarks
26	Coupling nipple (연결 니플)	350-3826	1	
27	Hose(coupling nipple*steel pipe)(호스(연결니플*철배관))	350-3827	1	
28	Coupling nipple (연결 니플)	350-3828	1	
29	Coupling nipple (연결 니플)	350-3829	1	
30	Quick coupling, input(퀵 커플링, 입력)	350-3830	1	
31	Quick coupling, input(퀵 커플링, 입력)-커프링 캡	350-3831	1	
32	A Fixed plate(고정판)	350-3832	2	
33	Pipe Clamp(크램프)	350-3833	2	
34	Pipe Clamp(크램프)	350-3834	2	
35	Carry over(캐리오버)	350-3835	1	
36	Bonded Seal(본디드 씰)	350-3836	2	
37	Nipple (니플)	350-3837	2	
38	Hose(mcv carry over*distributing nipple ST)(호스(MCV 캐리오버*분배니플 ST))	350-3838	1	
39	Coupling nipple L (연결 니플 L)	350-3839	1	
40	Hose(control valve*distributing nipple EL)(호스(컨트롤밸브*분배니플 EL))	350-3840	1	
41	Distributing nipple T(분배 니플 T)	350-3841	1	
42	Nipple (니플)	350-3842	1	
43	Hose(high-flow block*Oil cooler(electric))(호스(하이플로우블럭*오일쿨러))	350-3843	1	
44	Coupling nipple L (연결 니플 L)	350-3844	2	
45	Nipple (니플)	350-3845	2	
46	Bonded Seal(본디드 씰)	350-3846	3	
47	Coupling nipple (연결 니플)	350-3847	1	
48	Hose(Oil cooler(electric)*composite filter)(호스(오일쿨러(전기식)*복합필터))	350-3848	1	
49	Nipple (니플)	350-3849	1	
50	O-ring (오링)	350-3850	1	

38. Hydraulic line of High flow (하이플로우 유압라인)



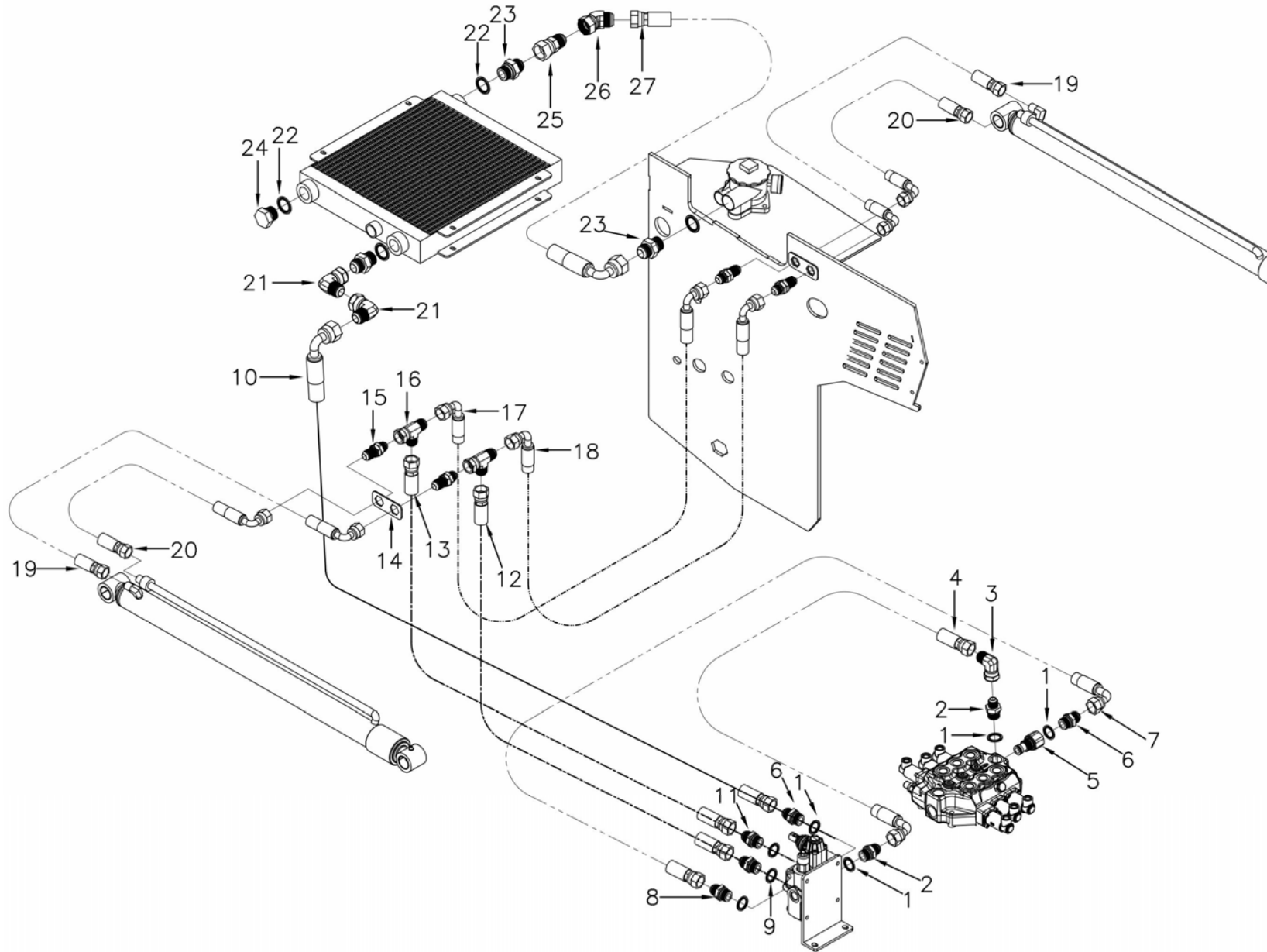
38. Hydraulic line of High flow (하이플로우 유압라인) (Cont'd) (계속)				
No.	Name	Part No.	Quantity	Remarks
51	O-ring (오링)	350-3851	1	
52	Nipple (니플)	350-3852	1	
53	Suction filter for hyd' oil (hyd' oil filter)(석션필터, 유압)	350-3853	1	

39. Hydraulic line of extended boom (이단붐 유압 라인)



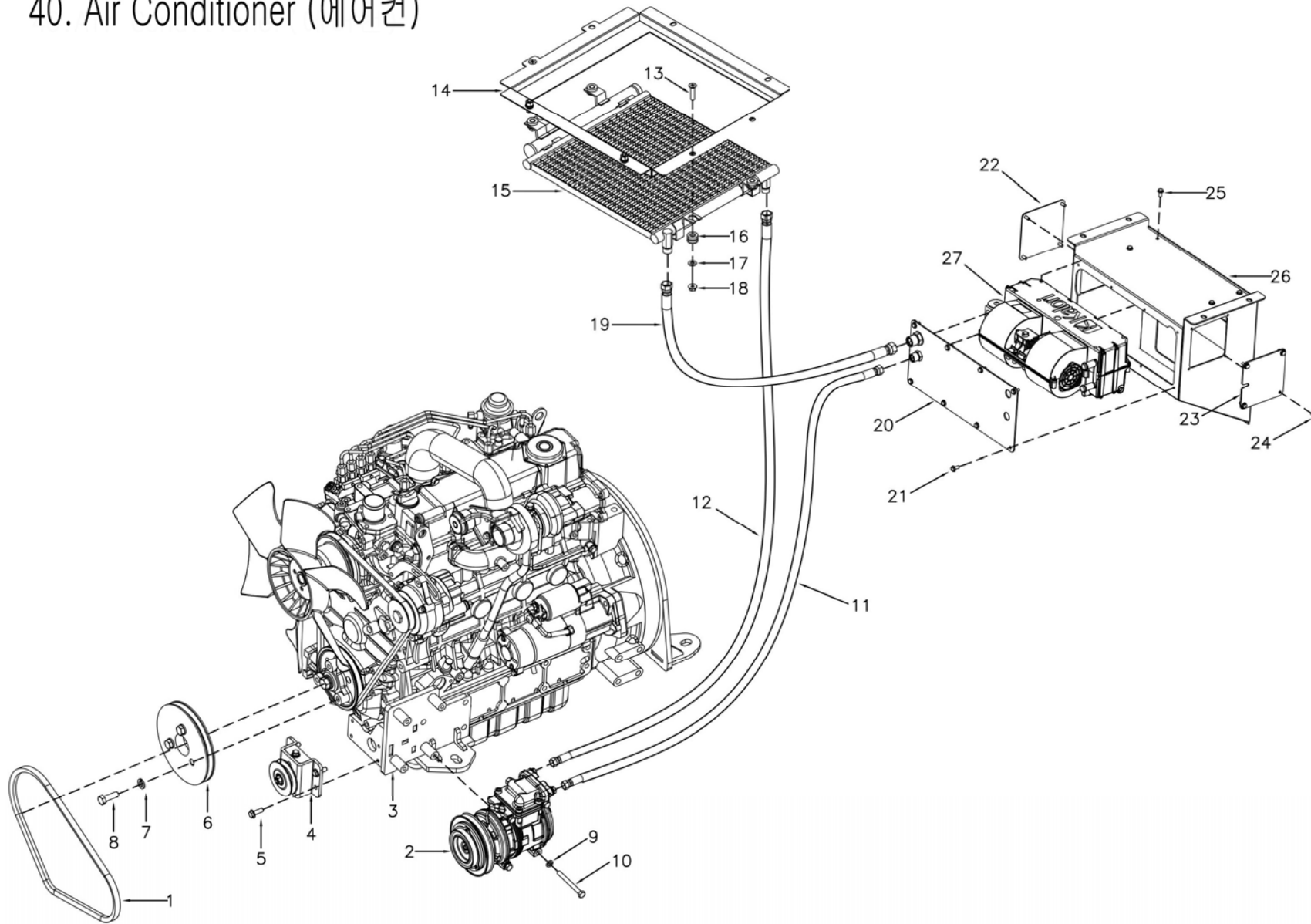
39. Hydraulic line of extended boom (이단뿔 유압 라인)				
No.	Name	Part No.	Quantity	Remarks
1	Bonded seal (본디드 씰)	350-3901	4	
2	Nipple (니플)	350-3902	2	
3	Nipple L (니플 L)	350-3903	1	
4	Hose (control valve*coupling nipple) (호스(컨트롤 밸브*니플))	350-3904	1	
5	Carry over (캐리오버)	350-3905	1	
6	Nipple (니플)	350-3906	2	
7	Hose (mcv carry over*coupling nipple) (호스(메인컨트롤밸브 캐리오버*연결니플))	350-3907	1	
8	Nipple (니플)	350-3908	1	
9	Bonded seal (본디드 씰)	350-3909	3	
10	Hose (valve for extended boom*coupling nipple) (호스(이단뿔 밸브*연결니플))	350-3910	1	
11	Nipple (니플)	350-3911	2	
12	Hose (valve for extended boom*distributing nipple EL) (호스(이단뿔 밸브*분배니플 EL))	350-3912	1	
13	Hose (valve for extended boom*distributing nipple EL) (호스(이단뿔 밸브*분배니플 EL))	350-3913	1	
14	A fixed plate (고정판)	350-3914	2	
15	Coupling nipple (연결 니플)	350-3915	4	
16	Distributing nipple T (분배 니플 T)	350-3916	2	
17	Hose (distributing nipple ST*coupling nipple) (호스(분배 니플 ST*연결 니플))	350-3917	1	
18	Hose (distributing nipple ST*coupling nipple) (호스(분배 니플 ST*연결 니플))	350-3918	1	
19	Hose (coupling nipple*extension, extended cylinder) (호스(연결 니플*이단뿔 실린더 상승))	350-3919	2	
20	Hose (coupling nipple*extract, extended cylinder) (호스(연결 니플*이단뿔 실린더 하강))	350-3920	2	
21	Nipple L (니플 L)	350-3921	2	
22	Bonded seal (본디드 씰)	350-3922	4	
23	Nipple (니플)	350-3923	3	
24	Stopper (마개)	350-3924	1	
25	Coupling nipple (연결 니플)	350-3925	1	

39. Hydraulic line of extended boom (이단붐 유압 라인)



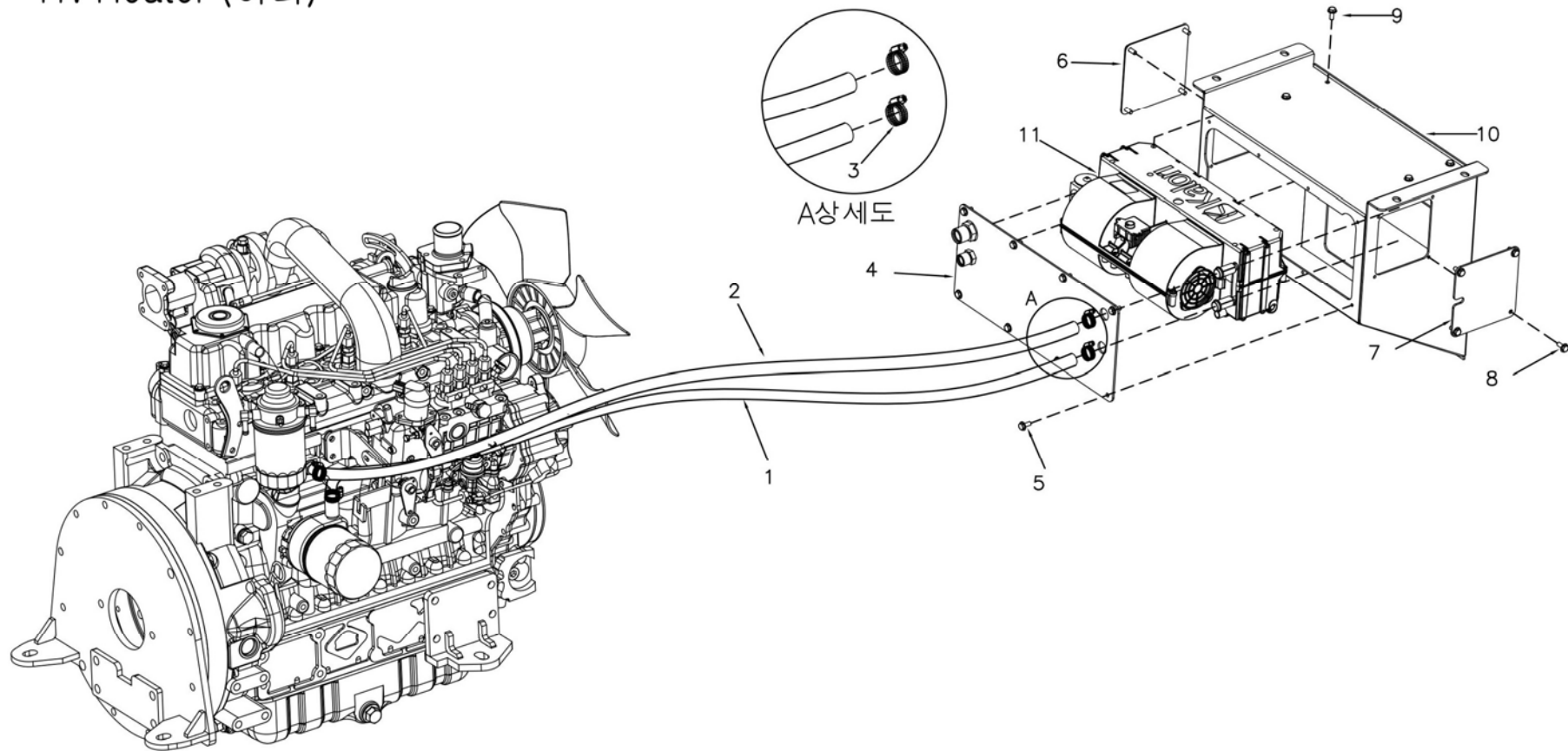
39. Hydraulic line of extended boom (이단뿔 유압 라인) (Cont'd) (계속)				
No.	Name	Part No.	Quantity	Remarks
26	Coupling nipple 45° (연결 니플 45°)	350-3926	1	
27	Hose (Oil cooler(electric)*dual filter) (호스(오일쿨러(전기식)*복합필터)	350-3927	1	
28	Hose (valve for extended boom*aux. solenoid valve for extended boom) (호스(이단뿔 밸브*이단뿔보조솔밸브)	350-3928	1	
29	Hose (valve for extended boom*aux. solenoid valve for extended boom) (호스(이단뿔 밸브*이단뿔보조솔밸브)	350-3929	1	
30	Coupling nipple (연결 니플)	350-3930	1	
31	Hose (solenoid valve*aux. solenoid valve for extended boom) (호스(4-Way 밸브*이단뿔 보조솔밸브)	350-3931	1	
32	Hose (main solenoid valve*aux. solenoid valve for extended boom) (호스(메인 솔밸브*이단뿔 보조솔밸브)	350-3932	1	
33	Coupling nipple (연결 니플)	350-3933	1	
34	Bolt (볼트)	350-3934	4	
35	Spring washer (스프링 와셔)	350-3935	4	
36	Gasket (가스켓)	350-3936	2	
37	Nipple (니플)	350-3937	2	
38	Valve for extended boom (이단뿔 밸브)	350-3938	1	
39	Fixed bracket fixing valve, extended boom (이단뿔 밸브 고정 브라켓)	350-3939	1	

40. Air Conditioner (에어컨)



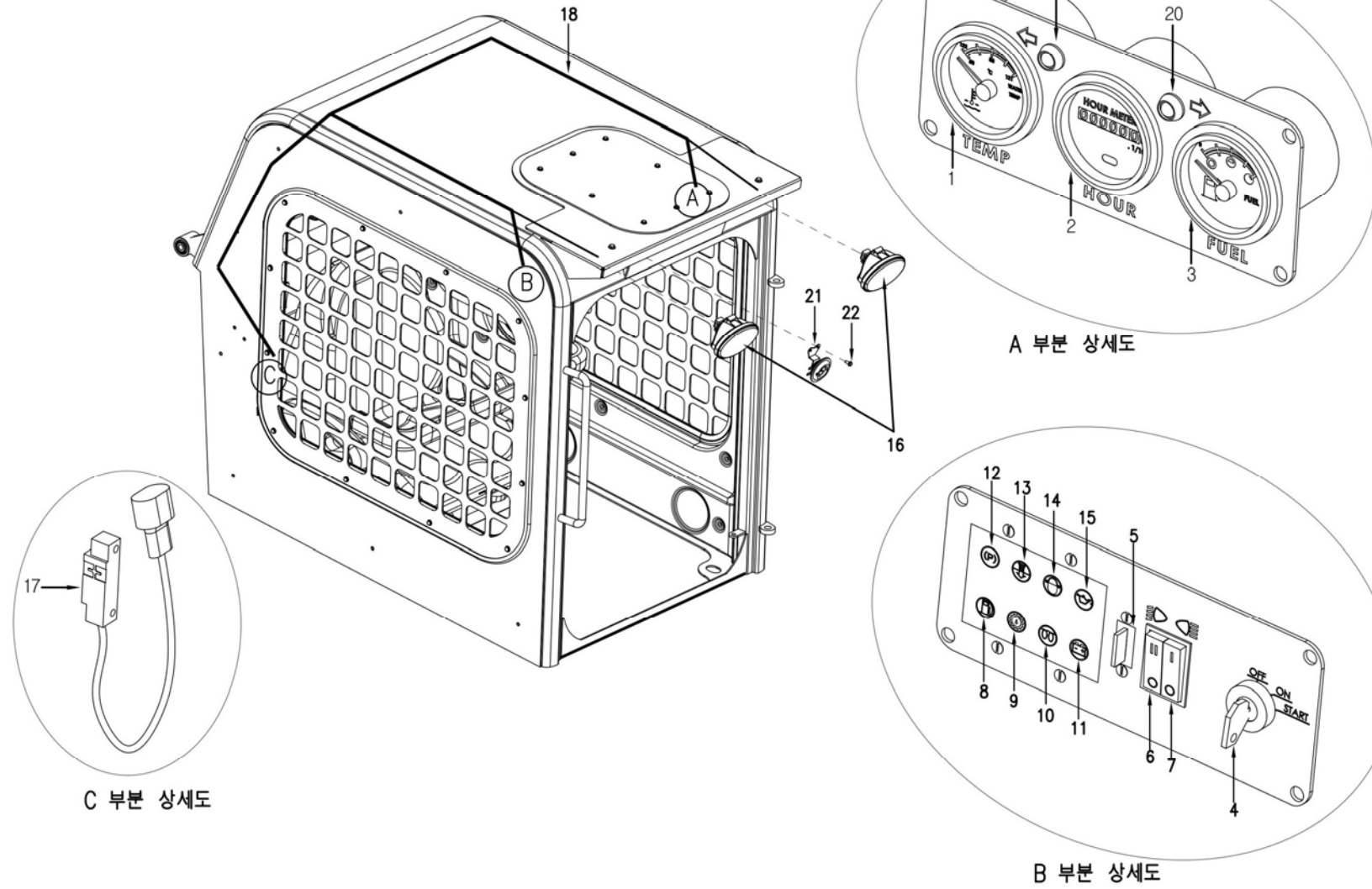
40. Air Conditioner (에어컨)				
1	Belt (벨트)	350-4001	1	
2	Compressure ass'y (컴프레셔 조합)	350-4002	1	
3	Fixed plate for compressure(컴프레셔 고정판)	350-4003	1	
4	Tension controller ass'y (텐션 조절 조합)	350-4004	1	
5	Bolt (볼트)	350-4005	4	
6	Pully (폴리)	350-4006	1	
7	Spring Washer (스프링 와셔)	350-4007	3	
8	Bolt (볼트)	350-4008	3	
9	Spring Washer (스프링 와셔)	350-4009	4	
10	Bolt (볼트)	350-4010	4	
11	Hose(evaparater*compressure) (호스(에바*컴프레셔))	350-4011	1	
12	Hose(Compressure*condenser) (호스(컴프레셔*콘덴서))	350-4012	1	
13	Fixed plate for condenser (콘덴서 고정판)	350-4013	1	
14	Cooler ass'y(condenser) (쿨러 조합, 콘덴서)	350-4014	1	
15	Vibroisoating rubber (방진고무)	350-4015	4	
16	Washer (와셔)	350-4016	4	
17	Nut (너트)	350-4017	4	
18	Hose (evaporater*condensor)(호스(에바*컨덴서))	350-4018	1	
19	Front cover, evaporator (에바 정면 커버)	350-4019	1	
20	Bolt (볼트)	350-4020	8	
21	RH cover, evaporater (에바 우측 커버)	350-4021	1	
22	LH cover, evaporater (에바 좌측 커버)	350-4022	1	
23	Bolt (볼트)	350-4023	8	
24	Bolt (볼트)	350-4024	4	
25	Evaporater Case (에바 케이스)	350-4025	1	
26	Evaporater ass'y (에바 조합)	350-4026	1	

41. Heater (히터)



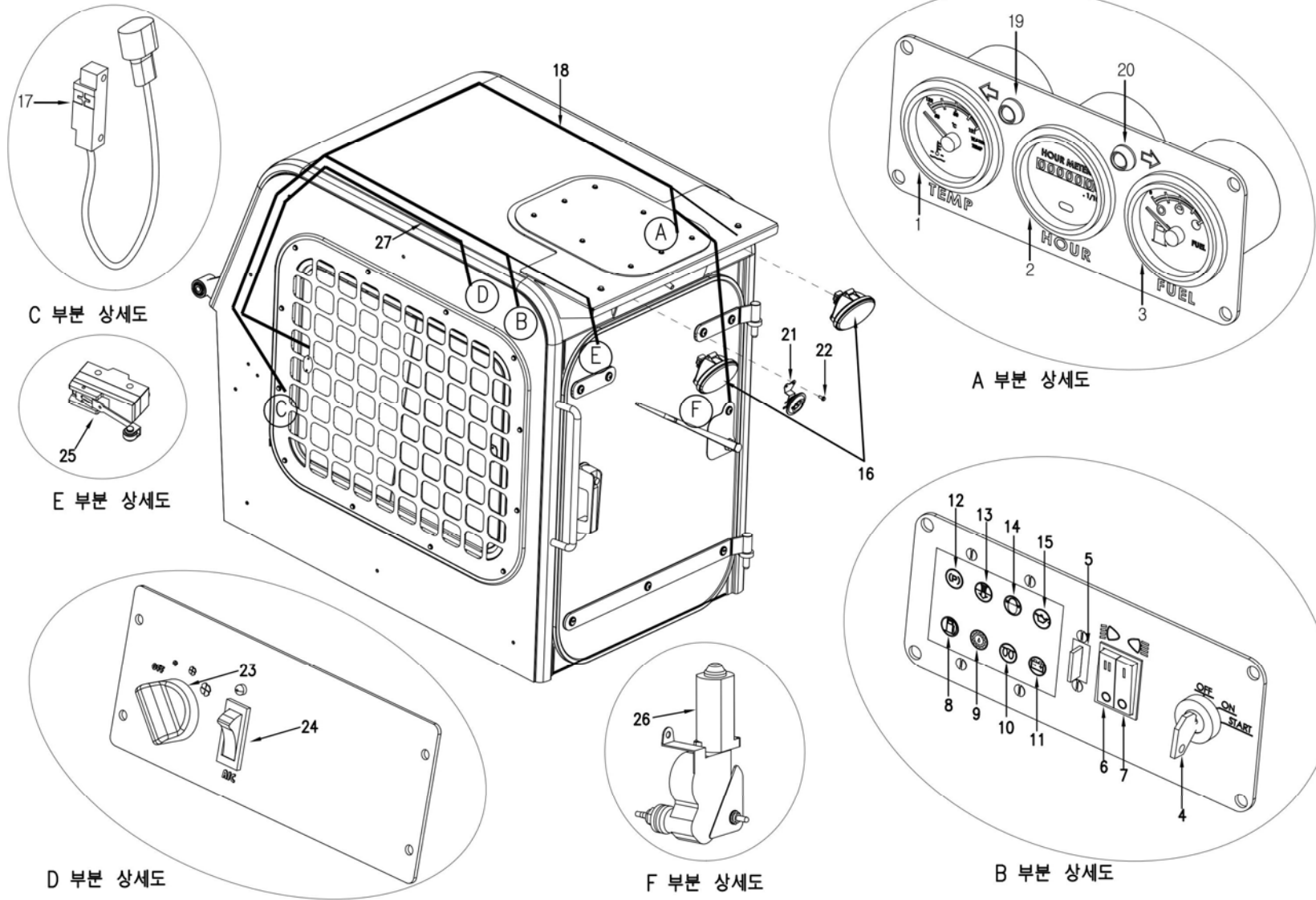
41. Heater (히터)				
No.	Name	Part No.	Quantity	Remarks
1	Lower hose (하단 호스)	350-4101	1	
2	Upper hose (상단 호스)	350-4102	1	
3	Pipe clamp (파이프 클램프)	350-4103	4	
4	Front cover, evaporator (에바 정면 커버)	350-4019	1	
5	Bolt (볼트)	350-4020	8	
6	RH cover, evaporater (에바 우측 커버)	350-4021	1	
7	LH cover, evaporater (에바 좌측 커버)	350-4022	1	
8	Bolt (볼트)	350-4023	8	
9	Bolt (볼트)	350-4024	4	
10	Evaporater Case (에바 케이스)	350-4025	1	
11	Evaporater ass'y (에바 조합)	350-4026	1	

42. Instrument panel (계기판)



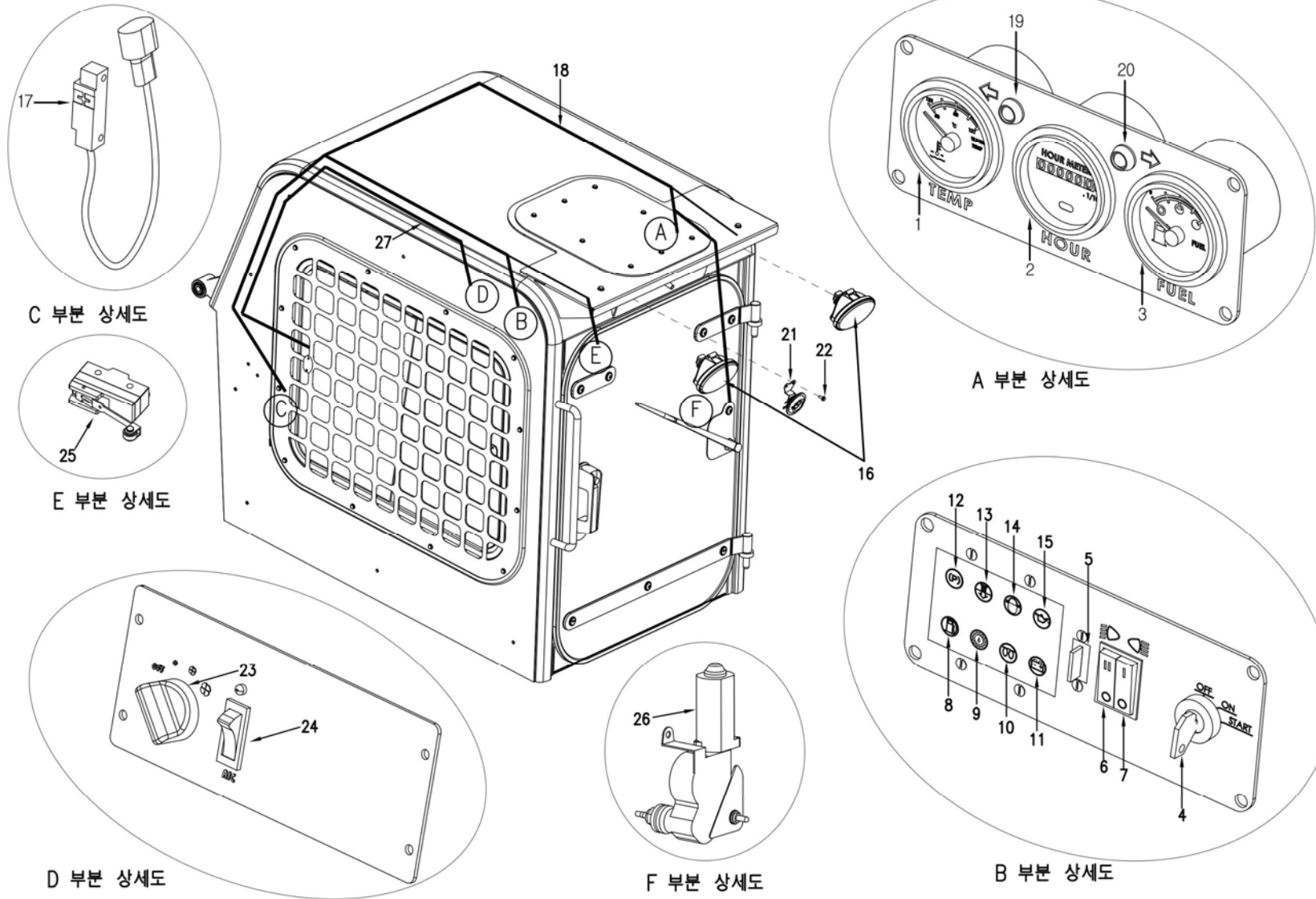
42. Instrument panel (계기판)				
No.	Name	Part No.	Quantity	Remarks
1	Hour meter (시간계)	350-4201	1	
2	Water temperature gauge (수온계)	350-4202	1	
3	Fuel gauge (연료계)	350-4203	1	
4	Ignition switch (점화 스위치)	350-4204	1	
5	Light fuse & panel fuse (라이트 퓨즈 & 계기판 퓨즈)	350-4205	1	
6	Light switch (라이트 스위치)	350-4206	1	
7	Panel switch (계기판 스위치)	350-4207	1	
8	Fuel level warning light (연료 수위 경고등)	350-4208	1	
9	Hydraulic filter warning light (유압 필터 경고등)	350-4209	1	
10	Preheating light (예열등)	350-4210	1	
11	Charging warning light (충전 경고등)	350-4211	1	
12	Parking warning light (주차 경고등)	350-4212	1	
13	Air cleaner warning light (에어크리너 경고등)	350-4213	1	
14	Fuel filter warning light (연료 필터 경고등)	350-4214	1	
15	Engine oil warning light (엔진 오일 경고등)	350-4215	1	
16	Light (라이트)	350-4216	3	
17	Proximity sensor(근접센서)	350-4217	1	
18	Main wiring harness (메인 배선 조합)	350-4218	1	
19	Direction indicator LH (방향지시등 좌)	350-4219	1	
20	Direction indicator RH (방향지시등 우)	350-4220	1	
21	Back up alarm (부저)	350-4221	1	
22	Bolt (볼트)	350-4222	2	

42-1. Instrument panel - For cabin type (계기판 - 캐빈형)



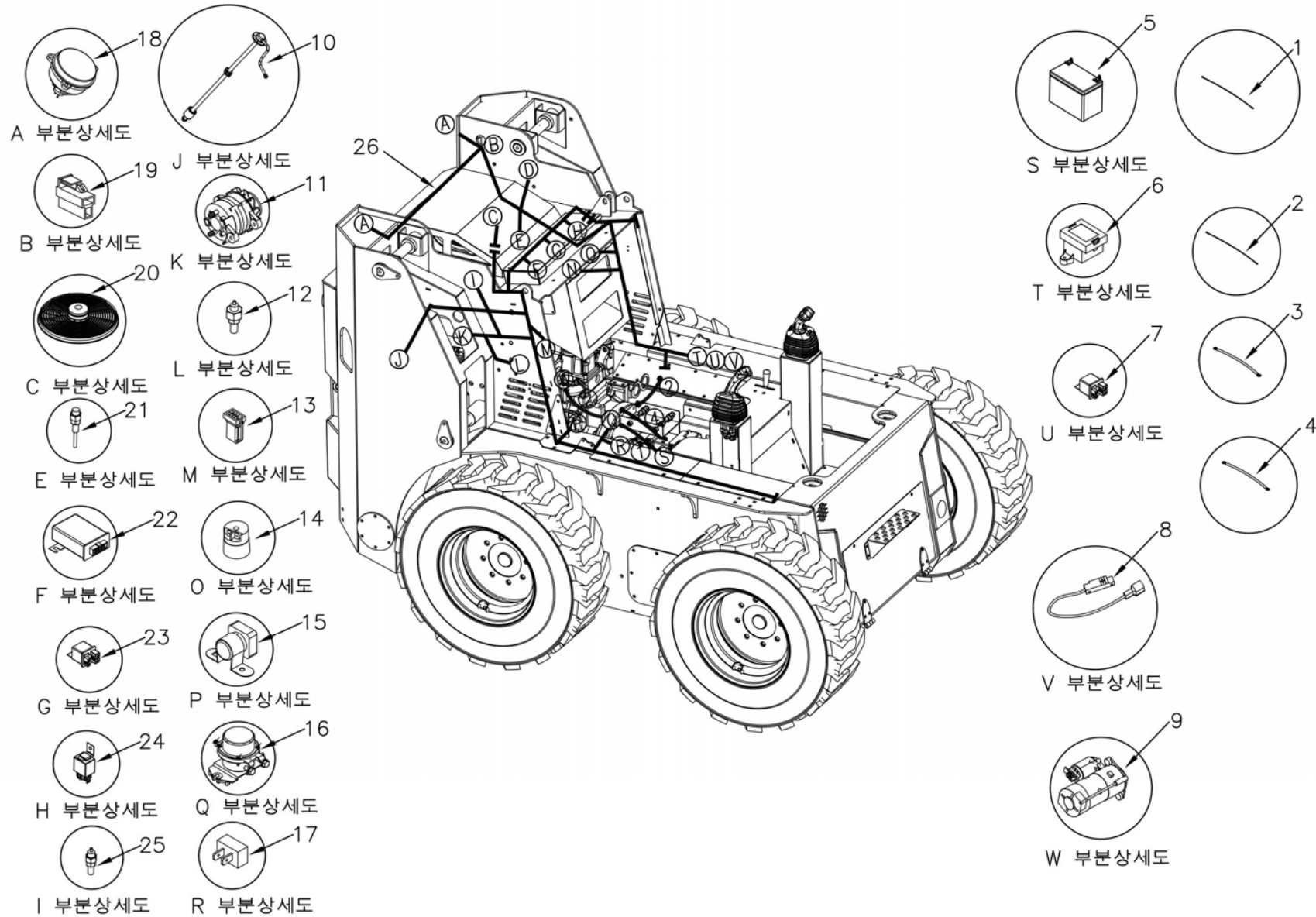
42-1. Instrument panel - For cabin type (계기판 - 캐빈형)				
No.	Name	Part No.	Quantity	Remarks
1	Hour meter (시간계)	350-4201	1	
2	Water temperature gauge (수온계)	350-4202	1	
3	Fuel gauge (연료계)	350-4203	1	
4	Ignition switch (점화 스위치)	350-4204	1	
5	Light fuse & panel fuse (라이트 퓨즈 & 계기판 퓨즈)	350-4205	1	
6	Light switch (라이트 스위치)	350-4206	1	
7	Panel switch (계기판 스위치)	350-4207	1	
8	Fuel level warning light (연료 수위 경고등)	350-4208	1	
9	Hydraulic filter warning light (유압 필터 경고등)	350-4209	1	
10	Preheating light (예열등)	350-4210	1	
11	Charging warning light (충전 경고등)	350-4211	1	
12	Parking warning light (주차 경고등)	350-4212	1	
13	Air cleaner warning light (에어크리너 경고등)	350-4213	1	
14	Fuel filter warning light (연료 필터 경고등)	350-4214	1	
15	Engine oil warning light (엔진 오일 경고등)	350-4215	1	
16	Light (라이트)	350-4216	3	
17	Proximity sensor(근접센서)	350-4217	1	
18	Main wiring harness(메인 배선 조합)	350-4218	1	
19	Direction indicator LH (방향지시등 좌)	350-4219	1	
20	Direction indicator RH (방향지시등 우)	350-4220	1	
21	Back up alarm (부저)	350-4221	1	
22	Bolt (볼트)	350-4222	2	
23	AC temperature control lever (에어컨 바람세기 조절 레버)	350-4223	1	
24	AC ON/OFF switch (에어컨 on/off 스위치)	350-4224	1	
25	Limit switch (리밋 스위치)	350-4225	1	

42-1. Instrument panel - For cabin type (계기판 - 캐빈형)



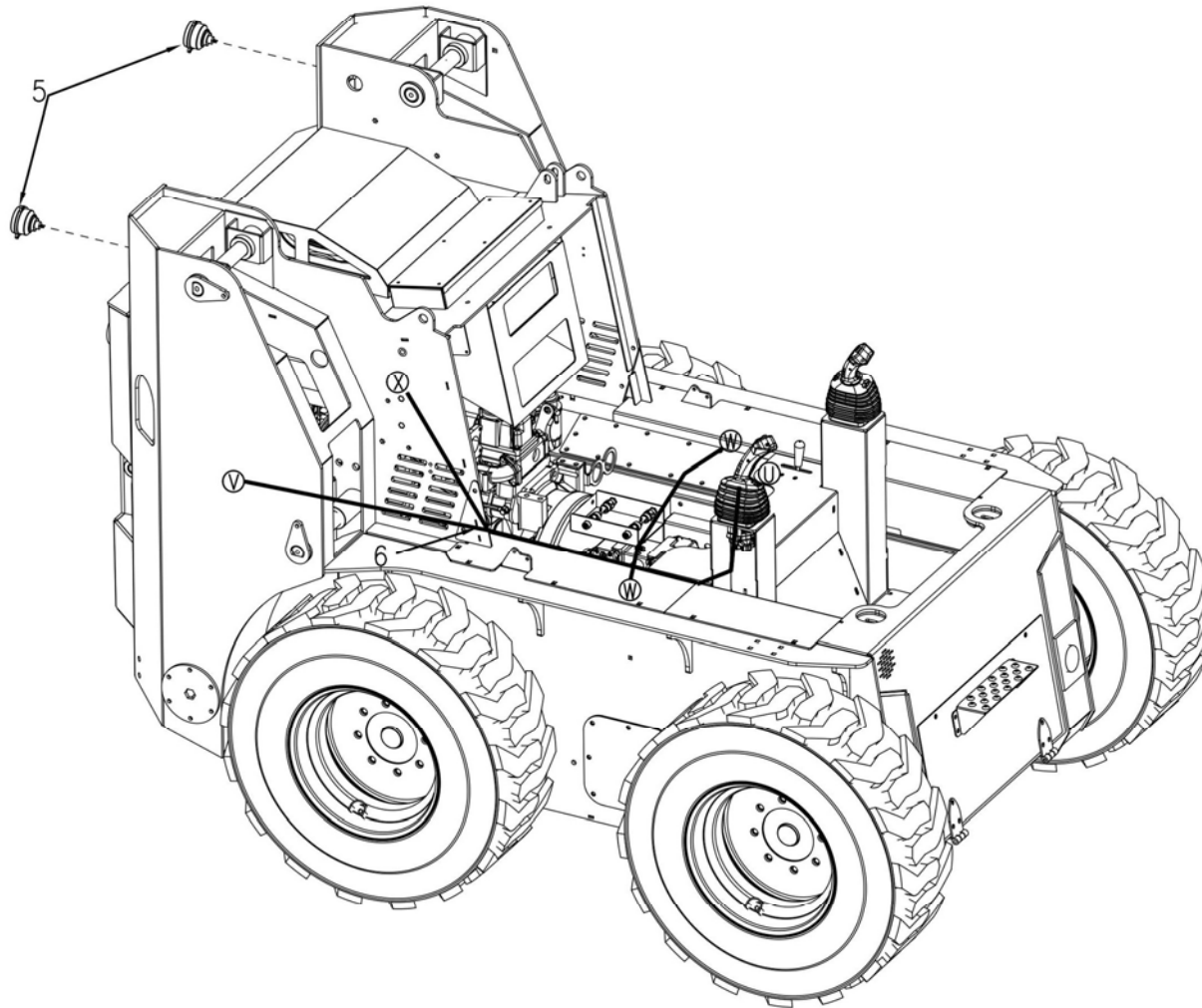
42-1. Instrument panel - For cabin type (계기판 - 캐빈형) (Cont'd) (계속)				
No.	Name	Part No.	Quantity	Remarks
26	Motor ass'y for window brush (윈도우 브러쉬용 모터)	350-4226	1	
27	Air Conditioner wiring harness(에어컨 배선 조합)	350-4227	1	

43. Electrical system (전기 장치)



43. Electrical system (전기 장치)				
1	Battery + line (battery*battery switch((배터리 + 선/ 배터리-배터리스위치)	350-4301	1	
2	Battery + line (battery switch*starter) (배터리 + 선/ 배터리 스위치- 스타트 모터)	350-4302	1	
3	Coupling line (frame*engine) (연결선(프레임*엔진))	350-4303	1	
4	Battery - line (배터리 - 선)	350-4304	1	
5	Battery (배터리)	350-4305	1	
6	Main Fuse box (메인 퓨즈 박스)	350-4306	1	
7	Relay (릴레이)	350-4307	1	
8	Proximity sensor (근접센서)	350-4308	1	
9	Starter (스타트모터)	350-4309	1	
10	Fuel sensor (연료 센서)	350-4310	1	
11	Alternator (알터네이터)	350-4311	1	
12	Oil pressure sensor (오일 압력 센서)	350-4312	1	
13	Joint connector (조인트 컨넥터)	350-4313	1	
14	Air Cleaner Sensor (에어크리너 센서)	350-4314	1	
15	Start Relay (스타트 릴레이)	350-4315	1	
16	Disconnecting switch (전원 차단기)	350-4316	1	
17	Fuse, Cooler Fan (쿨러팬 퓨즈)	350-4317	1	
18	Rear Light (뒤쪽 라이트)	350-4318	2	
19	Wire connector (배선 컨넥터)	350-4319	2	
20	Cooler Fan (쿨러팬)	350-4320	1	
21	Preheating plug (예열 플러그)	350-4321	1	
22	Preheating control box (예열 조정기)	350-4322	1	
23	Preheating relay (예열 릴레이)	350-4323	1	
24	Relay, Cooler Fan (쿨러팬 릴레이)	350-4324	1	
25	Water temperature sensor (수온 센서)	350-4325	1	
26	Main wiring harness (메인 배선)	350-4326	1	

44. Electrical parts – Front horn and back up alarm (전장품 – 혼 및 백업알람)



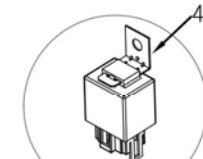
V부분 상세도



W부분 상세도



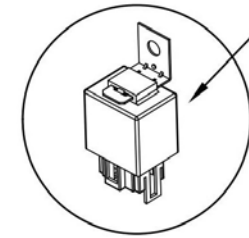
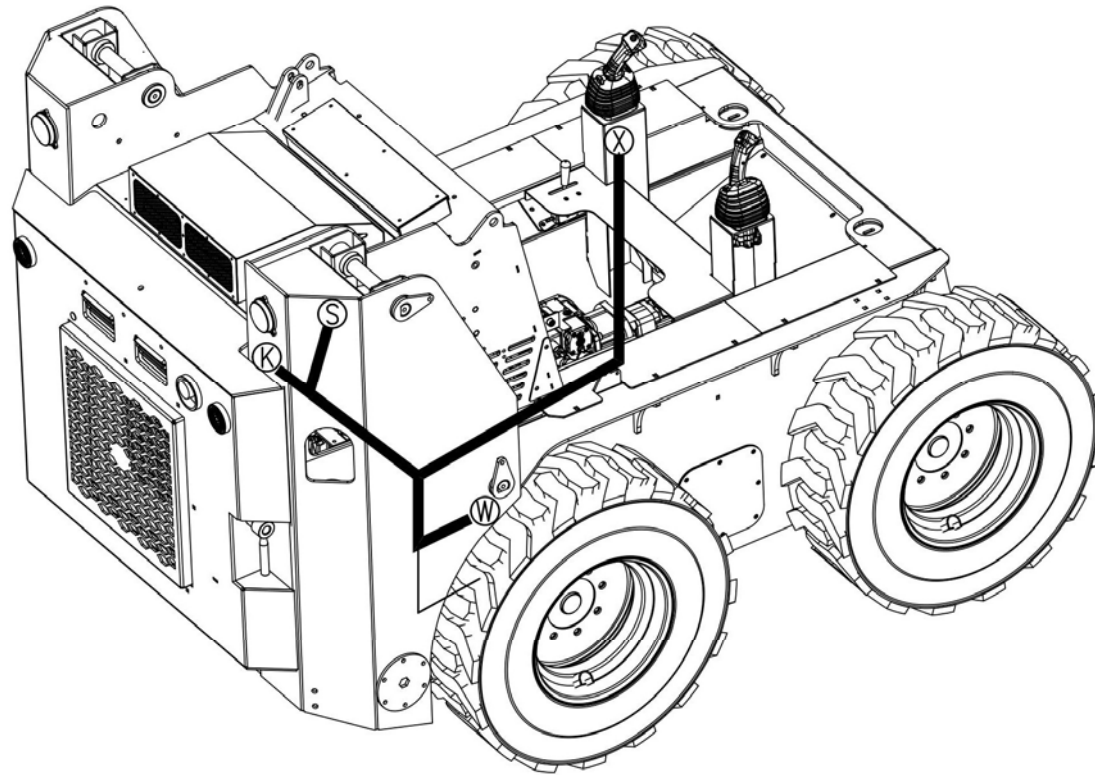
U부분 상세도



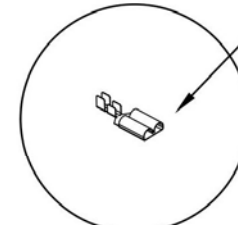
X부분 상세도

44. Electrical parts - Front horn and back up alarm (전장품 - 혼 및 백업알람)				
No.	Name	Part No.	Quantity	Remarks
1	Back up alarm (백업 알람)	350-4401	1	
2	Proximity sensor for back up alarm(백업 알람용 근접 센서)	350-4402	1	
3	Joystick horn switch(조이스틱 혼 스위치)	350-4403	1	
3-1	Joystick horn switch(조이스틱 혼 스위치)-옵션	350-4404	1	
4	Relay (릴레이)	350-4405	1	
5	Brake light(브레이크등)	350-4406	2	
6	Wiring harness for front horn & back up alarm (혼 및 백업알람 배선)	350-4407	1	

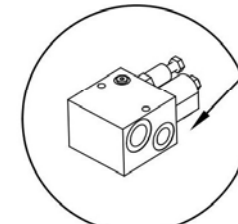
45. Electrical system for Hi-flow (하이플로우 전기장치부)



K 부분상세도



S 부분상세도



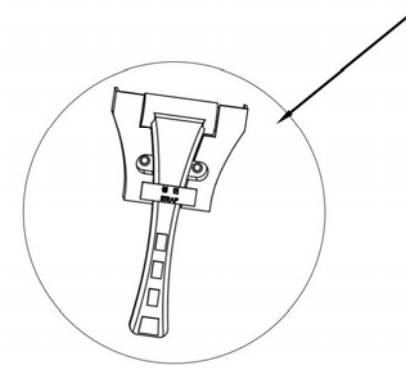
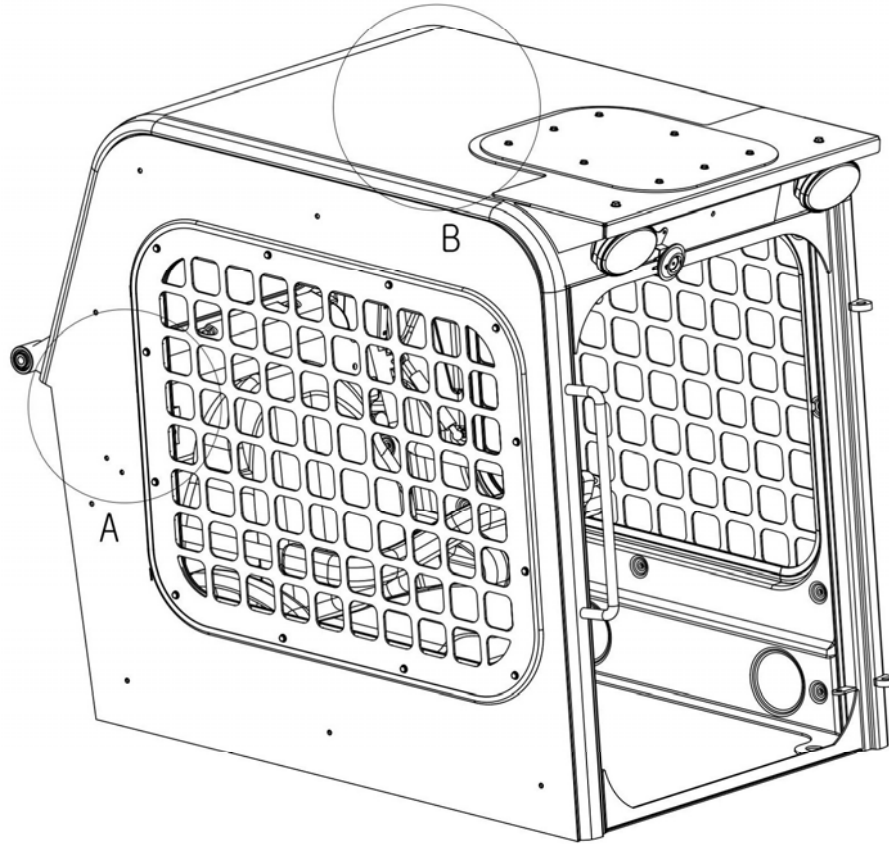
W 부분상세도



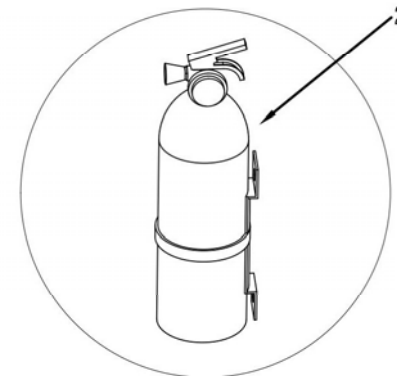
Y 부분상세도

45. Electrical system for Hi-flow (하이플로우 전기장치부)				
No.	Name	Part No.	Quantity	Remarks
1	Hi-flow relay (하이플로우 릴레이)	350-4501	1	
2	Fuse box connector(퓨즈박스 연결 케넥터)	350-4502	1	
3	Hi-flow block(하이플로우 블록)	350-4503	1	
4	Hi-flow switch(하이플로우 스위치(주행 레버스위치))	350-4504	1	

46. Safety device (안전 장치)



A부분 상세도



B부분 상세도

46. Safety device (안전 장치)				
No.	Name	Part No.	Quantity	Remarks
1	Hammer (망치)	350-4601	1	
2	Fire extinguisher (소화기)	350-4602	1	

INDEX

1. Hub Ass'y (차축 부)	1
2. Motor shaft (모터 축)	3
3. Lift arm (주뿔)	5
3-1. Extended Boom (이단뿔)	9
4. Quick tach pad (퀵 태치 패드)	11
5. Bucket (버킷)	13
6. Lift cylinder (주뿔 실린더)	15
7. Tilt cylinder (버킷 실린더)	17
8. Extended cylinder (이단뿔 실린더)	19
9. Cover (커버)	21
10. Engine room cover (엔진룸 커버)	27
11. Operator cab (안전탑)-기본형	29
11-1. Operator cab, Cabin enclosure (안전탑 캐빈형)	33
13. Front door ass'y (안전탑 앞문)	39
14. Opeartor cab and tire (안전탑 및 타이어)	41
15. Steering handle (조향 장치)	43
16. Cable line - (케이블 라인)	45
17. Control valve, Joystick (조이스틱 콘트롤밸브 장치부)	47
18. Engine (엔진)	51
19. Pump (펌프)	53
21. Radiator (라디에이터)	55
22. Muffler (소음기)	59
23. Parts related to engine (엔진관련 부품)	61
24. Air Cleaner (에어크리너)	63
25. Hydraulics and fuel tank (유압 및 연료 탱크)	65
26. Dual hyd' oil filter (복합필터)	67

27. Fuel line (연료 라인)	69
28. Drive pump, Rex Roth (구동 펌프)	71
30. Drive motor (구동 모터 - 비스 모터용)	83
31. Control valve (콘트롤 밸브)	87
32. Hydraulic line of lift arm (주뿔 유압 라인)	89
33. Hydraulic line of bucket (버킷 유압 라인)	91
34. Aux. hydraulic line (보조 유압 라인)	93
35. Main hydraulic line (메인 유압 라인)	95
36. Hydraulic line of drive part (구동부 유압 라인)	99
37. Hydraulic line of hyd' parking brake (유압주차브레이크 유압라인)	101
38. Hydraulic line of High flow (하이플로우 유압라인)	105
39. Hydraulic line of extended boom (이단뿔 유압 라인)	111
40. Air Conditioner (에어컨)	115
41. Heater (히터)	117
42. Instrument panel (계기판)	119
42-1. Instrument panel - For cabin type (계기판 - 캐빈형)	121
43. Electrical system (전기 장치)	125
44. Electrical parts - Front horn and back up alarm (전장품 - 혼 및 백업알람)	127
45. Electrical system for Hi-flow (하이플로우 전기장치부)	129
46. Safety device (안전 장치)	131