

List of machine draft

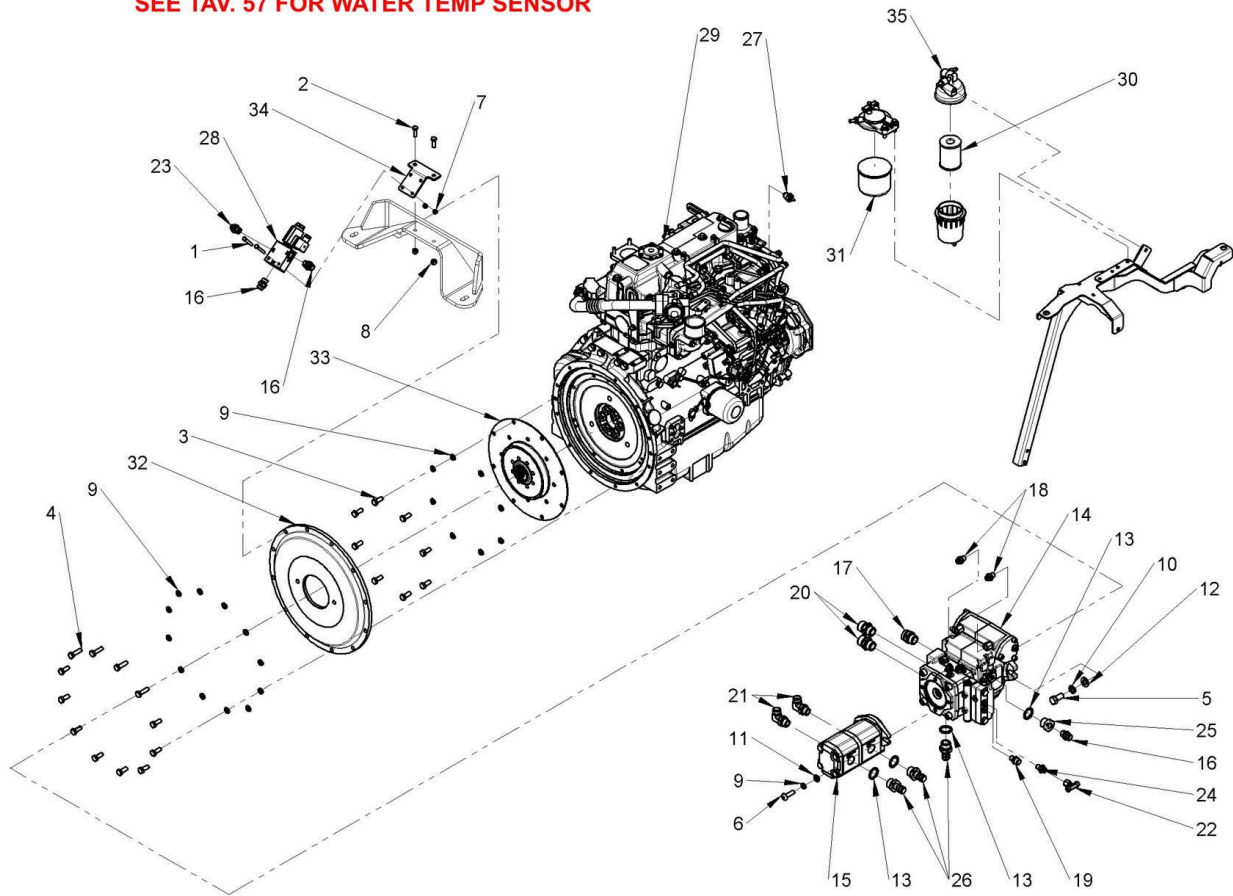
N.	Draft
1	TAV. 01 M1 10.8 ENGINE AND PUMPS
2	TAV. 02 M1 10.8 ENGINE SUPPORT
3	TAV. 03 M1 10 ARTICULATION
4	TAV. 04 M1 10 WHEEL MOTORS
5	TAV. 05 M1 10.8 ENGINE COOLER AND FUEL TANK
6	TAV. 06 M1 9-10 BOOM FIXED PART
7	TAV. 07 M1 9.6-10 RIGHT SIDE
8	TAV. 08 M1 10 MUFFLER BATTERY AIR FILTER
9	TAV. 09 M1 10 POWER STEERING
10	TAV. 10 M1 6-10 COUPLING PLATE
11	TAV. 11 M1 10 ROLLBAR, SEAT, SUPPORT SEAT
12	TAV. 12 M1 9-10 FRONT COVER SUPPORT
13	TAV. 13 M1 9.6-10 FRONT COVER
14	TAV. 14 M1 9-10 REAR COVER SUPPORT
15	TAV. 15 M1 9-10 REAR COVER
16	TAV. 16 M1 10 SELF LEVELLING
17	TAV. 17 M1 6-10 STANDARD AND OPTIONAL WORK LIGHT
18	TAV. 18 M1 9-10 HYDRAULIC TRANSMISSION CIRCUIT
19	TAV. 19 M1 9-10 UTILITIES HYDRAULIC CIRCUIT
20	TAV. 20 M1 9-10 BOOM MOBILE PART
21	TAV. 22 10.8 ELECTRIC PARTS
22	TAV. 29 M1 10.8 FILTERS
23	TAV. 30 M1 9-10 ROAD LIGHT
24	TAV. 31 M1 6-10 GLASS CABIN
25	TAV. 31 M1 6-7-8 GLASS CABIN KIT (OPTIONAL)
26	TAV. 32 M1 6-7-8 GLASS CABIN DETAILS (OPTIONAL)
27	TAV. 33 M1 10.8 HEATHING
28	TAV. 34 M1 9-10 AUTOMATIC COUPLING PLATE
29	TAV. 35 M1 6-10 FLOATING BOOM
30	TAV. 36 SECURITY ARM
31	TAV. 39 PLEXYGLAS SMART CABIN
32	TAV. 41 LUXURY HEATED SEAT
33	TAV. 44 55 mm WHEEL SPACER
34	TAV. 45 MULTICONNECTOR COUPLING TO QUICK COUPLING KIT ADAPTOR
35	TAV. 46 TOW HOOK
36	TAV. 47 220+220 KG BACKWEIGHT
37	TAV. 49 M1 9-10-9SD REAR BUMPER
45	TAV. 54 STEEL MUD GUARD
43	TAV. 57 WATER TEMP SENSOR
42	TAV. 58 JOYSTICK MULTI



Draft and part list report
Serial n / code M331411 / C966000
Description MULTIONE 10.8

38	TAV. 59 BACK-UP ALLARM
39	TAV. 60 SWITHES
44	TAV. 95 DECALS
40	TAV. 96 MACHINE MULTICONNECTOR WEO FITTINGS
41	TAV. 99 HYDRAULIC MULTI COUPLING PLATE, FIX 3 WAY, ATTACHMENTS 3 WAY, ATTACHMENTS 2 WAY

SEE TAV. 57 FOR WATER TEMP SENSOR



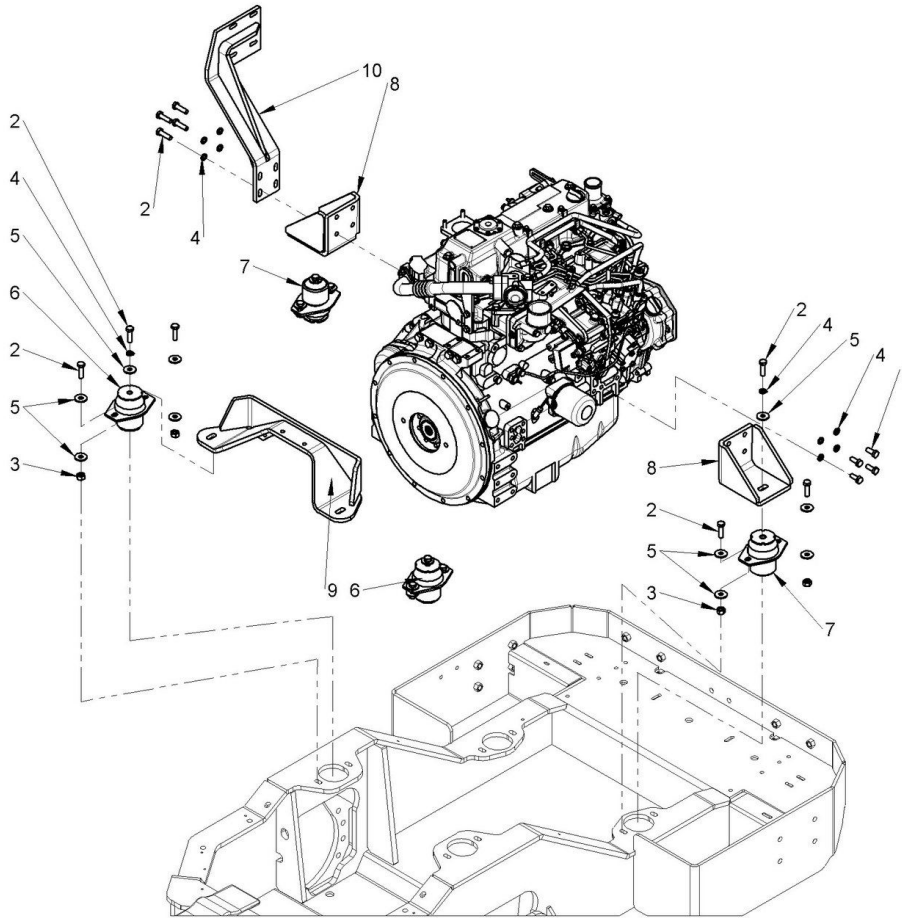
Component list [TAV. 01 M1 10.8 ENGINE AND PUMPS]

Pos.	Code	Description	Q.ty
1	C020056	ISO 4017 M6x45 SCREW	2.00000
2	C020073	HEXAGON HEAD SCREW 8.8 M8x25 UNI EN ISO 4017	2.00000
3	C020101	HEXAGON HEAD SCREW 8.8 M10X25 UNI EN ISO 4017	16.00000
4	C020103	HEXAGON HEAD SCREW M10x35 ISO 4017	4.00000
5	C020261	VITE TE 8.8 M14X30 ZN UNI 5740	2.00000
6	C020219	UNI 5931 M10x25 SCREW	2.00000
7	C021104	PREVAILING TORQUE-TYPE HEXAGONAL NUTS WITH POLYAMIDE RING M6 UNI 7473	2.00000
8	C021502	SLOTTED AND CASTLE HEXAGON NUTS M8 DIN980	2.00000
9	C023042	SELF LOCKING FLANGE NORD LOCK M10	22.00000
10	C023044	M14 NORD LOCK WASHER	2.00000
11	C023080	FLAT WASHER X M10 10.5X20X2	2.00000
12	C023103	FLAT WASHER X M14 15X28X2.5 ZN UNI6592	2.00000
13	C030543	BONDED WASHER 3/4"" GAS	4.00000
14	C030905	P4 58cc HYDROSTATIC PUMP	1.00000
15	C030989	20+11 cc TWIN GEAR PUMP	1.00000
16	C033001	NIPPLES 3/8"" G / 12L	3.00000



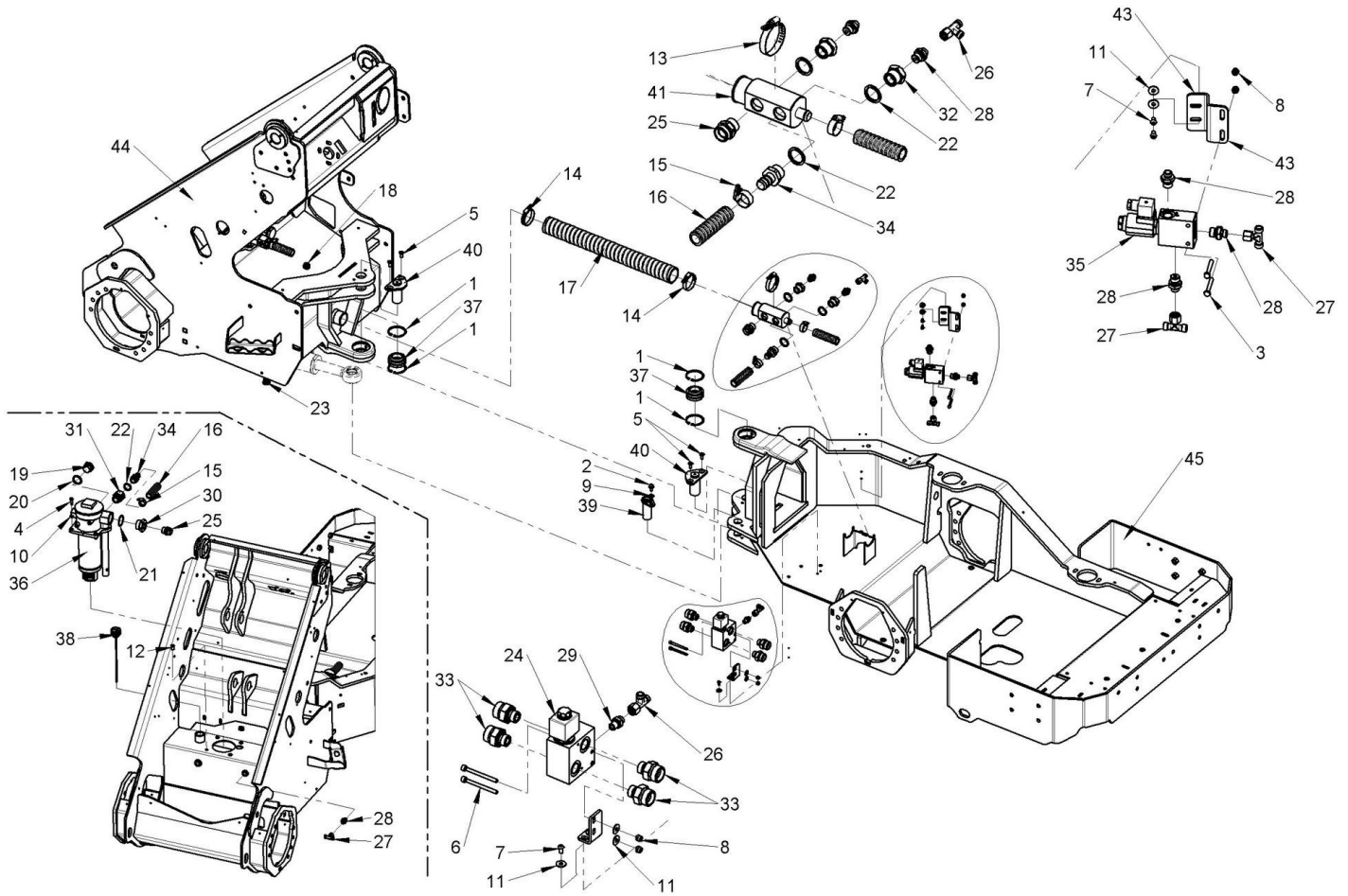
Draft and part list report
Serial n / code M331411 / C966000
Description MULTIONE 10.8

17	C033004	NIPPLES 3/4" G - 22L	1.00000
18	C033007	NIPPLES 1/4"" GAS / 6L	2.00000
19	C033009	NIPPLES 1/4" G - 12L	1.00000
20	C033019	NIPPLES 3/4" G - 20S	2.00000
21	C033022	90° ELBOW, ADJUSTABLE MALE STUD G 1/2 - MALE 15L	2.00000
22	C033086	TEES-CONNECTION M-F-M 8L	1.00000
23	C033133	NIPPLES 3/8"" GAS / 8L	1.00000
24	C033134	NIPPLES 1/4GAS-8L	1.00000
25	C033162	COUPLING REDUCING M 3/4" G - F 3/8" G	1.00000
26	C033300	STRAIGHT HOSE CONNECTOR 3/4"" FOR 3/4"" HOSE	3.00000
27		{{>desc}}	1.00000
28	C036621	ELECTROVALVE 3WAY G3/8 12V DC	1.00000
29	C039015	YANMAR DIESEL ENGINE 4TNV98	1.00000
30	C039029	WATER SEP CARTRIDGE	1.00000
31	C039044	FUEL FILTER FOR A700Y,SL35,SL835,SL840,GT(TNV) >2007,GT950,QTRAK1235,1240,1550	1.00000
32	C039541	SAE4 - SAEB YANMAR 4TNV98	1.00000
33	C039554	Z15 RUBBER JOINT	1.00000
34	C282584	3 WAY BRAKE VALVE SUPPORT	1.00000
35	FF163/129242-55700	COMPLETE WATER-FUEL SEPARATE FILTER FOR 4TNV88-DSA2/4TNV98	1.00000



Component list [TAV. 02 M1 10.8 ENGINE SUPPORT]

Pos.	Code	Description	Q.ty
1	C020101	HEXAGON HEAD SCREW 8.8 M10X25 UNI EN ISO 4017	5.00000
2	C020103	HEXAGON HEAD SCREW M10x35 ISO 4017	16.00000
3	C021503	SELF-LOCKING HEXAGONAL NUT M10 ZN DIN980	8.00000
4	C023042	SELF LOCKING FLANGE NORD LOCK M10	13.00000
5	C023104	FLAT WASHER, M10	20.00000
6	C037410	HYDRAULIC DUMPER 40SH	2.00000
7	C037411	HYDRAULIC DAMPER 60SH	2.00000
8	C282470	REAR SUPPORT ENGINE	2.00000
9	C282471	FRONT SUPPORT ENGINE	1.00000
10	C282524	M1 10.8 MUFFLER SUPPORT	1.00000



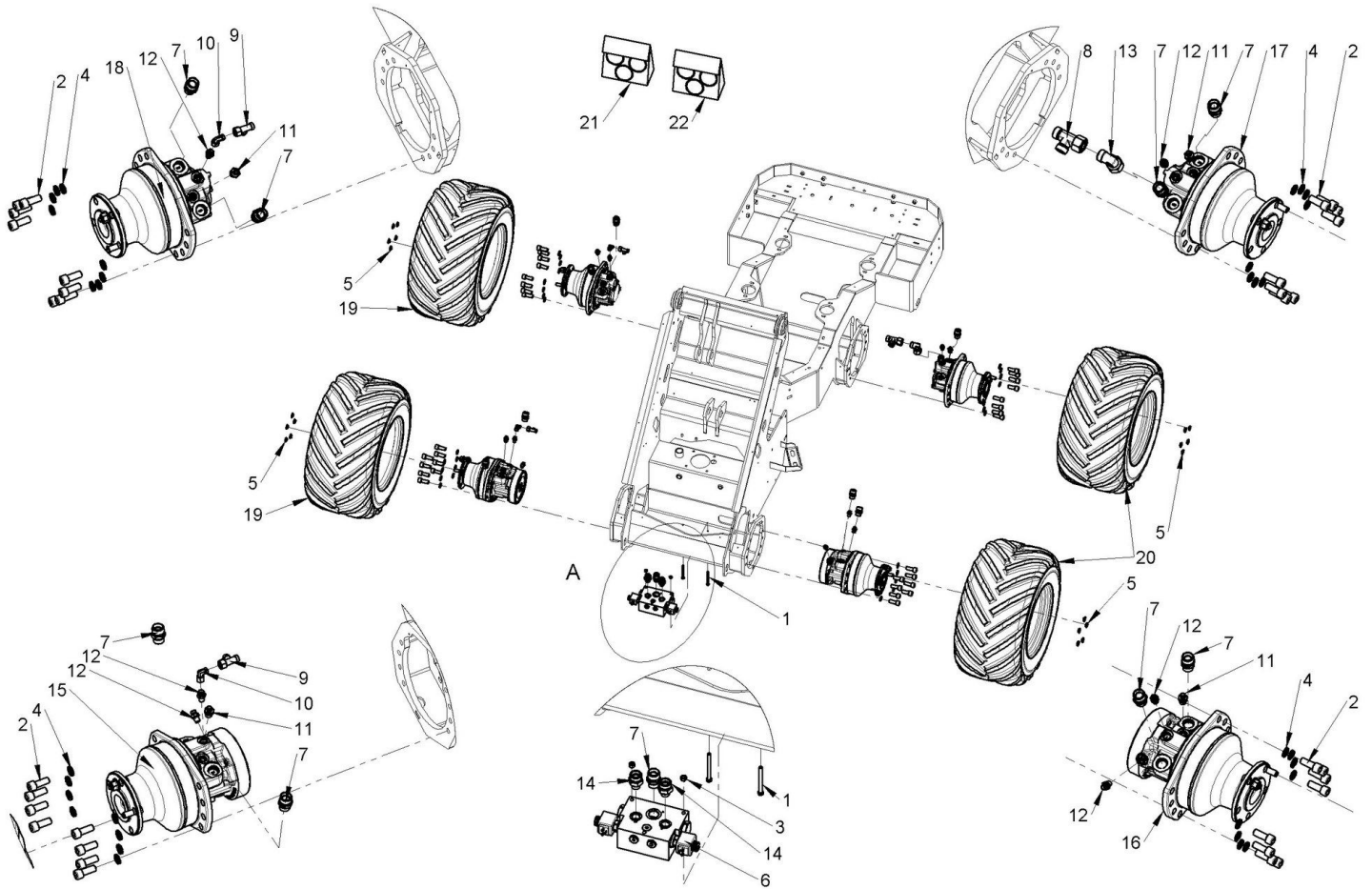
Component list [TAV. 03 M1 10 ARTICULATION]

Pos.	Code	Description	Q.ty
1	C018310	BORES SEEGER RING İ62 DIN 472	4.00000
2	C019201	HEXAGON FLANGE BOLT M8x16 DIN 6921	1.00000
3	C020056	ISO 4017 M6x45 SCREW	2.00000
4	C020073	HEXAGON HEAD SCREW 8.8 M8x25 UNI EN ISO 4017	4.00000
5	C020155	M8X20 SCREW UNI5933	4.00000
6	C020241	UNI EN ISO 4762 M6x70 SCREW	2.00000
7	C020542	HEXAGON SOCKET OVAL HEAD SCREW M6x12 ZN ISO 7380	4.00000
8	C021104	PREVAILING TORQUE-TYPE HEXAGONAL NUTS WITH POLYAMIDE RING M6 UNI 7473	4.00000
9	C023041	NORD LOCK WASHER M8	1.00000
10	C023071	PLAIN WASHER M8 8.4x16x1.6 UNI6592	4.00000
11	C023110	PLAIN WASHER LARGE SERIES M6 6.5X18X1.5 DIN9021	6.00000
12	C028270	THREAD INSERT M8	4.00000
13	C029034	CLAMP 12MM INOX 60-80	1.00000
14	C029045	CLAMP 12MM INOX 56-59	2.00000
15	C029046	STEEL BELT 20/32 MM	3.00000
16	C030102	OIL SUCTION PIPE İ19x28	3.00000



Draft and part list report
Serial n / code M331411 / C966000
Description MULTIONE 10.8

17	C030103	SUCTION OIL PIPE ̄51x61	1.00000
18	C030380	PLUG HEXAGON SOCKET M 1/4" GAS	1.00000
19	C030390	MALE PLUG G 1" ISO 228	1.00000
20	C030538	G 1" BONDED SEAL	1.00000
21	C030539	G 1" 1/4 COPPER WASHER	1.00000
22	C030543	BONDED WASHER 3/4" GAS	4.00000
23	C030610	MAGNETIC MALE PLUG G 1/2"	1.00000
24	C031052	DBS TRANSMISSION VALVE	1.00000
25	C033004	NIPPLES 3/4" G - 22L	2.00000
26	C033085	TEES CONNECTION F-M-M 8L	2.00000
27	C033086	TEES-CONNECTION M-F-M 8L	3.00000
28	C033133	NIPPLES 3/8" GAS / 8L	6.00000
29	C033134	NIPPLES 1/4GAS-8L	1.00000
30	C033141	COUPLING REDUCING M 1" 1/4 G - F 3/4 G	1.00000
31	C033142	COUPLING REDUCING M 1" G - F 3/4 G	1.00000
32	C033162	COUPLING REDUCING M 3/4" G - F 3/8" G	2.00000
33	C033193	NIPPLES 1/2" - 20S	4.00000
34	C033300	STRAIGHT HOSE CONNECTOR 3/4" FOR 3/4" HOSE	2.00000
35	C036621	ELECTROVALVE 3WAY G3/8 12V DC	1.00000
36	C036638	M1 9, 10 OIL FILTER ASSY	1.00000
37	C037637	GE 35 FO 2RS RADIAL SPHERICAL PLAIN BEARING	2.00000
38	C038748	1" G PRESSURIZED LEVEL CUP	1.00000
39	C230162	FLANGED PIN ̄30 L=76	1.00000
40	C230166	FLANGED PIN ̄35 L=73	2.00000
41	C261111	SUCTION PUMPS MANIFOLD	1.00000
42	C281655	DIFFERENTIAL VALVE SUPPORT	1.00000
43	C281656	OIL SUCTION MANIFOLD / DOUBLE SPEEDD VALVE SUPPORT	1.00000
44	C282400	FRONT FRAME M1 9 10	1.00000
45	C282450	M1 9-10 REAR FRAME	1.00000



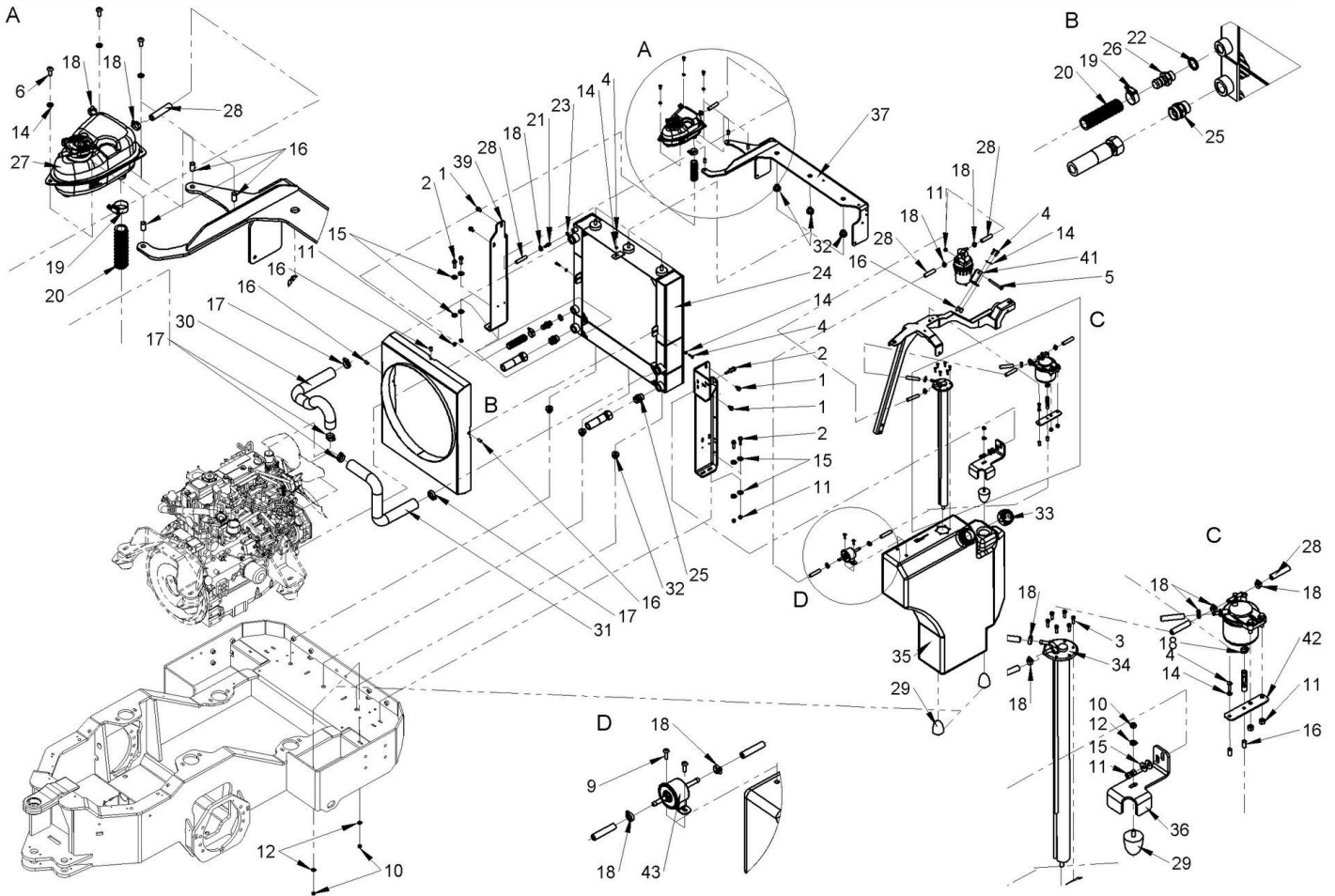
Component list [TAV. 04 M1 10 WHEEL MOTORS]

Pos.	Code	Description	Q.ty
1	C020082	HEXAGON HEAD SCREW 8.8 M8X90 UNI 5739	2.00000
2	C020294	HEXAGON SOCKET HEAD CAP SCREW M16x40 UNI EN ISO 4762	32.00000
3	C021502	SLOTTED AND CASTLE HEXAGON NUTS M8 DIN980	2.00000
4	C023045	M16 NORD LOCK WASHER	32.00000
5	C023500	WASHER LIMES D.14 FOR GT WHEEL SCREWS	20.00000
6	C031008	FLOE DIVIDER W/BYPASS 120L	1.00000
7	C033019	NIPPLES 3/4" G - 20S	9.00000
8	C033029	T-CONNECTOR	1.00000
9	C033032	T-CONNECTION F-M-M 12L	2.00000
10	C033131	CONNECTOR 90° FG8L / M8L	2.00000
11	C033133	NIPPLES 3/8" GAS / 8L	4.00000
12	C033134	NIPPLES 1/4GAS-8L	6.00000
13	C033147	CONNECTOR 90° FG20S / M20S	1.00000
14	C033193	NIPPLES 1/2" - 20S	2.00000
15	C038844	MSE05 2 WHEEL MOTOR WITH BRAKE, RIGHT	1.00000
16	C038845	MSE05 2 WHEEL MOTOR WITH BRAKE, LEFT	1.00000



Draft and part list report
Serial n / code M331411 / C966000
Description MULTIONE 10.8

17	C038846	MSE05 2 WHEEL MOTOR, RIGHT	1.00000
18	C038847	MSE05 2 WHEEL MOTOR, LEFT	1.00000
19	C040002	TRACTOR WHEEL 31X15.50-15/400/50-15 AS DUMPER II	2.00000
20	C040002	TRACTOR WHEEL 31X15.50-15/400/50-15 AS DUMPER II	2.00000
21	FF289/A17217P	BRAKE SEAL KIT FOR MSE05 WHEEL MOTOR	1.00000
22	FF289/A41957F	COMPLETE SEAL KIT FOR MSE05 WHEEL MOTOR	1.00000



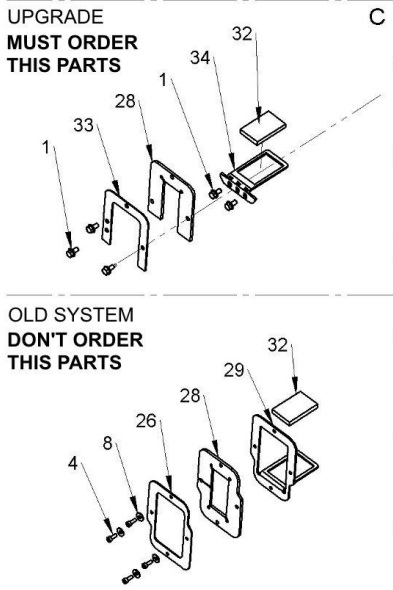
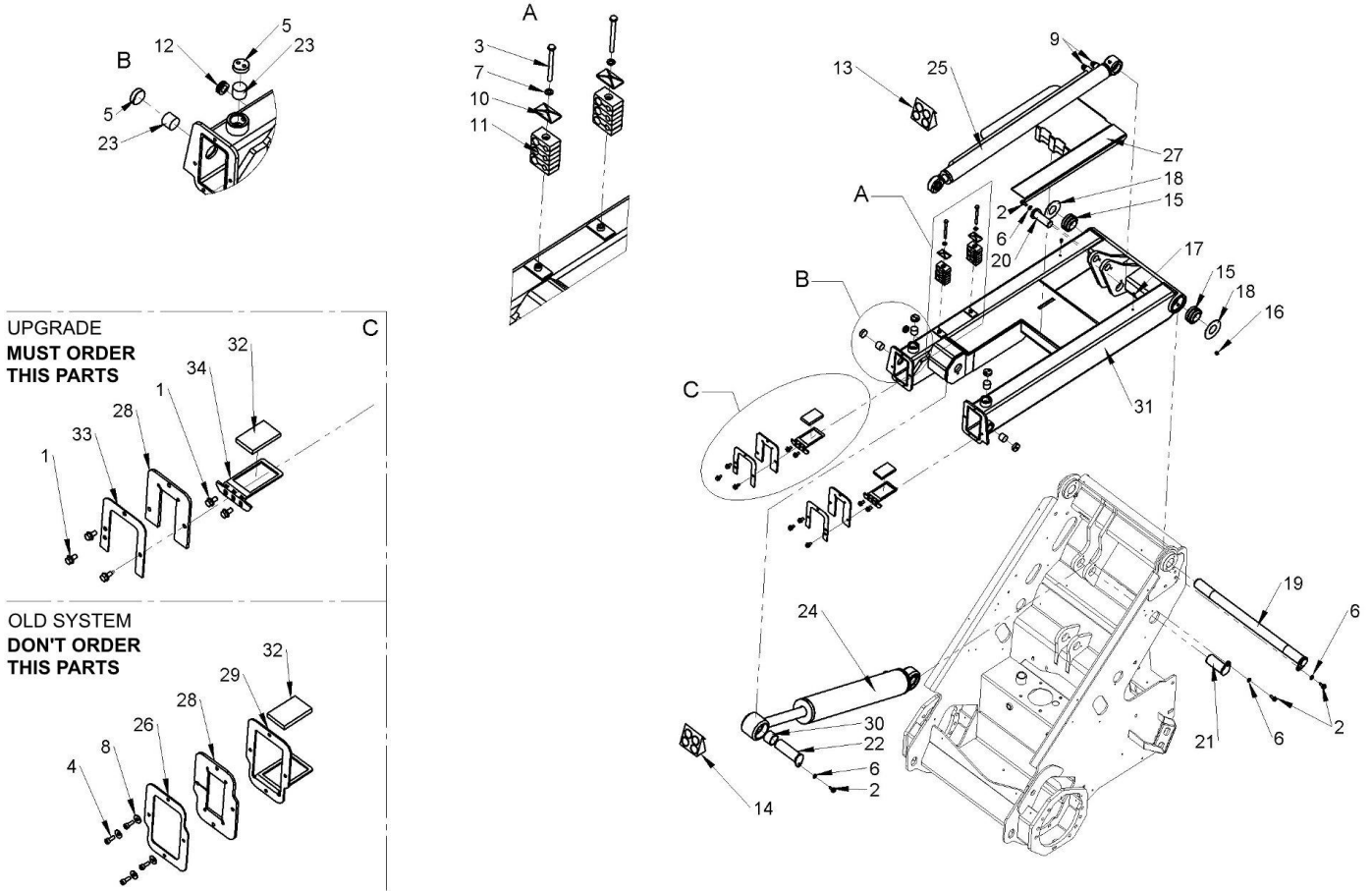
Component list [TAV. 05 M1 10.8 ENGINE COOLER AND FUEL TANK]

Pos.	Code	Description	Q.ty
1	C019201	HEXAGON FLANGE BOLT M8x16 DIN 6921	4.00000
2	C019204	HEXAGON FLANGE BOLT M8X30 ZB UNI EN ISO 1665	6.00000
3	C020036	HEXAGON SOCKET HEAD CAP SCREW M5x16 UNI 5931	6.00000
4	C020051	ISO 4017 M6x20 SCREW	8.00000
5	C020081	HEX HEAD SCREW 8.8 M8X80 UNI ISO 4017	1.00000
6	C020145	HEXAGON SOCKET OVAL HEAD SCREW M6x16 ISO 7380	3.00000
7	C020169	HEXAGON SOCKET COUNTERSUNK HEAD CAP SCREW 10.9 M8x30 ZN UNI5933	1.00000
8	C020219	UNI 5931 M10x25 SCREW	1.00000
9	C020548	HEXAGON SOCKET OVAL HEAD SCREW M6x20 ZN UNI/ISO 7380	2.00000
10	C021010	NUT E 6S M8 UNI 5588	3.00000
11	C021502	SLOTTED AND CASTLE HEXAGON NUTS M8 DIN980	9.00000
12	C023041	NORD LOCK WASHER M8	3.00000
13	C023042	SELF LOCKING FLANGE NORD LOCK M10	1.00000
14	C023090	FLAT WASHER M6 6.4x12x1.6 UNI 6592	11.00000
15	C023100	PLAIN WASHER LARGE SERIES M8 DIN 9021	10.00000
16	C028271	THREAD INSERT M6	10.00000



Draft and part list report
Serial n / code M331411 / C966000
Description MULTIONE 10.8

17	C029032	STAINLESS STEEL CLAMP 30-45 BELT 12	4.00000
18	C029038	STEEL BAND 10-16	13.00000
19	C029046	STEEL BELT 20/32 MM	2.00000
20	C030102	OIL SUCTION PIPE 19x28	2.00000
21	C030407	OUTLET CONNECTOR M 1/8" G FOR PIPE 7x12	1.00000
22	C030542	BONDED WASHER 1/2" GAS	1.00000
23	C030549	BONDED WASHER 1/8" GAS	1.00000
24	C030623	WATER AND OIL COOLER M1 10.8	1.00000
25	C033004	NIPPLES 3/4" G - 22L	2.00000
26	C033301	{{>desc}}	1.00000
27	C034152	COOLANT EXPANSION TANK	1.00000
28	C035003	FUEL PIPE 7X13	12.00000
29	C035139	SILENT BLOCK T-50 150 H=58 M8x20	3.00000
30	C035144	COOLANT PIPE 38 L=500	1.00000
31	C035144	COOLANT PIPE 38 L=500	1.00000
32	C036017	RADIATOR DAMPING PAD	6.00000
33	C038723	FUEL CUP, NO KEY	1.00000
34	C038759	M1 10 FUEL SENSOR	1.00000
35	C220491	50 LT FUEL TANK M1 9, 10	1.00000
36	C282491	FUEL TANK HOLDER	1.00000
37	C282498	UPPER RADIATOR BRACKET	1.00000
38	C282500	LEFT UPRIGHT ENGINE RADIATOR	1.00000
39	C282501	RIGHT UPRIGHT ENGINE RADIATOR	1.00000
40	C282503	M1 10.8 ENGINE COOLE CONVEYOR	1.00000
41	C282577	M1 9.5-10.8 DIESEL PREFILTER BRACKET	1.00000
42	C282656	DIESEL FILTER BRACKET	1.00000
43	FF163/119225-52102	PUMP ASSY FUEL FEED FOR YANMAR	1.00000



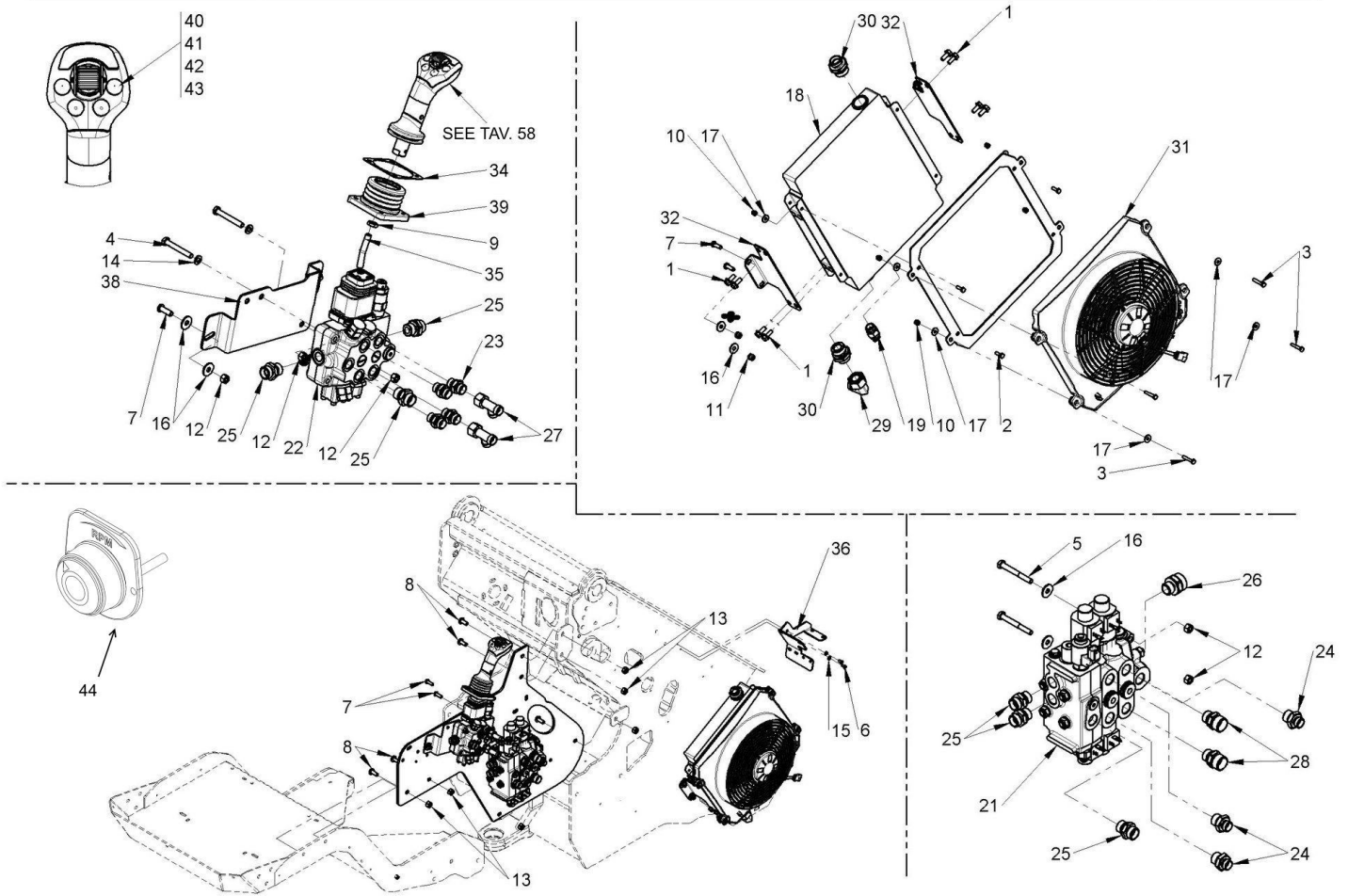
Component list [TAV. 06 M1 9-10 BOOM FIXED PART]

Pos.	Code	Description	Q.ty
1	C019201	HEXAGON FLANGE BOLT M8x16 DIN 6921	10.00000
2	C019202	HEXAGON FLANGE BOLT M8X20 DIN 6921	4.00000
3	C020082	HEXAGON HEAD SCREW 8.8 M8X90 UNI 5739	2.00000
4	C020210	HEXAGON SOCKET HEAD CAP SCREW M6x16 DIN 912	8.00000
5	C021413	SETTING HEAD 1"G	4.00000
6	C023041	NORD LOCK WASHER M8	4.00000
7	C023071	PLAIN WASHER M8 8.4x16x1.6 UNI6592	2.00000
8	C023110	PLAIN WASHER LARGE SERIES M6 6.5X18X1.5 DIN9021	8.00000
9	C033001	NIPPLES 3/8" G / 12L	2.00000
10	C035140	UPPER PLATE FOR HOSE HOLDER, TWIN	2.00000
11	C035159	DOUBLE PIPE CLAMP Ĩ12-Ĩ18	12.00000
12	C036039	CLOSED FAIRLEAD Ĩ19	1.00000
13		{{>desc}}	1.00000
14		{{>desc}}	1.00000
15	C037639	RADIAL SPHERICAL PLAIN BEARINGS GE 40 FO 2RS	2.00000
16	C090030	GREASER M10X1 UNI 7663A	2.00000



Draft and part list report
Serial n / code M331411 / C966000
Description MULTIONE 10.8

17	C090032	GREASER M6x1 UNI 7663A	2.00000
18	C274024	Ø88-Ø40,5 TH 1,5 SPACER	2.00000
19	C281623	Ø40x635 PIN	1.00000
20	C281704	Ø30x85 PIN	1.00000
21	C281765	FLANGED PIN ĩ40 L=90	1.00000
22	C281799	PIN ĩ40 L=120	1.00000
23	C281859	SLIDING STUD M1 5->10 SERIES	4.00000
24	C282708	M1 10 LIFTING BOOM CYLINDER	1.00000
25	C282428	CYLINDER EXTENSION BOOM	1.00000
26	C282446	BOOM RUBBER FIXER	2.00000
27	C282468	HOSE PROTECTION SHIELD	1.00000
28	C282469	TELESCOPIC ARM RUBBER PROTECTION	2.00000
29	C282667	SLIDING PAD BOOM BRACKET	2.00000
30	C282774	SPACER	1.00000
31	C282775	FIXED PART TELESCOPIC BOOM	1.00000
32	C282780	SLIDING PAD	2.00000
33	C284498	BOOM RUBBER FIXER	2.00000
34	C284499	SLIDING PAD BOOM BRACKET	2.00000



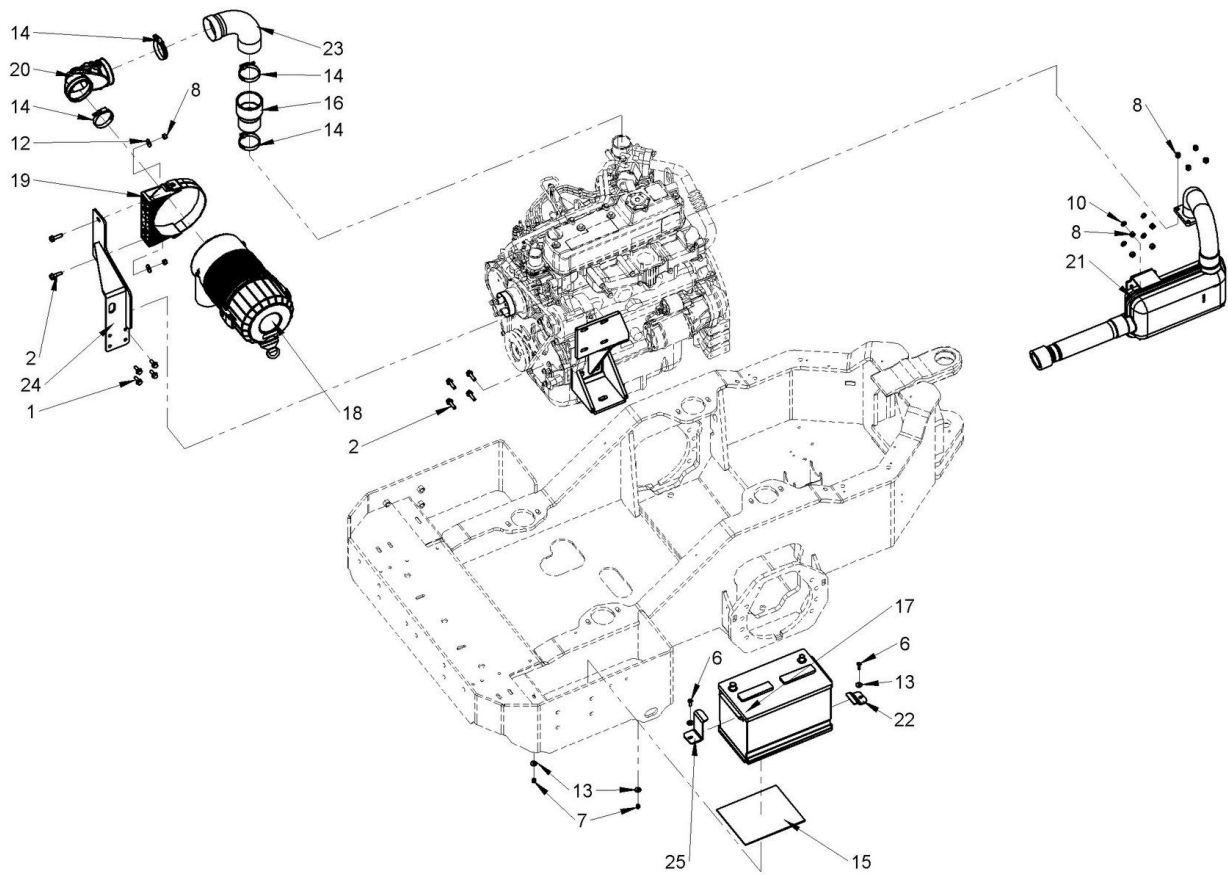
Component list [TAV. 07 M1 9.6-10 RIGHT SIDE]

Pos.	Code	Description	Q.ty
1	C019202	HEXAGON FLANGE BOLT M8X20 DIN 6921	8.00000
2	C020051	ISO 4017 M6x20 SCREW	4.00000
3	C020054	HEXAGON HEAD SCREW M6x35 ZB UNI 4017	4.00000
4	C020080	HEXAGON HEAD SCREW M8x60 ISO 4017	2.00000
5	C020086	HEXAGON HEAD BOLT 8.8 M8x70 ISO 4014	2.00000
6	C020542	HEXAGON SOCKET OVAL HEAD SCREW M6x12 ZN ISO 7380	2.00000
7	C020543	HEXAGON SOCKET OVAL HEAD SCREW M8x25 ISO 7380	6.00000
8	C020550	HEXAGON SOCKET OVAL HEAD SCREW 8.8 M10x25 ISO 7380	6.00000
9	C021013	HEXAGON NUT M10 UNI 5589	1.00000
10	C021104	PREVAILING TORQUE-TYPE HEXAGONAL NUTS WITH POLYAMIDE RING M6 UNI 7473	8.00000
11	C021502	SLOTTED AND CASTLE HEXAGON NUTS M8 DIN980	4.00000
12	C021502	SLOTTED AND CASTLE HEXAGON NUTS M8 DIN980	6.00000
13	C021503	SELF-LOCKING HEXAGONAL NUT M10 ZN DIN980	6.00000
14	C023071	PLAIN WASHER M8 8.4x16x1.6 UNI6592	2.00000
15	C023090	FLAT WASHER M6 6.4x12x1.6 UNI 6592	2.00000
16	C023100	PLAIN WASHER LARGE SERIES M8 DIN 9021	10.00000



Draft and part list report
Serial n / code M331411 / C966000
Description MULTIONE 10.8

17	C023110	PLAIN WASHER LARGE SERIES M6 6.5X18X1.5 DIN9021	12.00000
18	C030588	OIL COOLER FOR MULTIONE S/SL800 SERIES	1.00000
19	C030606	THERMOSWITCH 50-60;	1.00000
21	C030778	2 SECTION ELECTRIC HYDR DISTRIBUTOR	1.00000
22	C030779	2 SECTION HYDR DISTRIBUTOR	1.00000
23	C033001	NIPPLES 3/8"" G / 12L	4.00000
24	C033002	NIPPLES 1/2"" G / 12L	3.00000
25	C033003	NIPPLES 1/2"" G / 15L	6.00000
26	C033014	NIPPLES 1/2"" -22L	1.00000
27	C033032	T-CONNECTION F-M-M 12L	2.00000
28	C033107	1/2" G - 18L JOINT	2.00000
29	C033130	ADJUSTABLE ELBOW FG22L / M22L	1.00000
30	C033137	NIPPLES 1"" - 22L	2.00000
31	C034002	SUCTION ELETTRIC FAN I305 MM	1.00000
32	C272049	BRACKET OIL COOLER	2.00000
33	C272050	ELETTROFAN SUPPORT	1.00000
34	C284378	RUBBER PROTECTION FRAME	2.00000
35	C272094	M10 JOYSTICK PIN	1.00000
36	C281639	RELAY SUPPORT	1.00000
37	C281746	HYDRAULIC VALVES SIDE SUPPORT	1.00000
38	C281853	DISTRIBUTOR SUPPORT	1.00000
39	FF180/42.0001.0001	JOYSTICK RUBBER PROTECTION FOR S630/SL800/GT900	1.00000
40	FF180/42.0059.0360	SHORT ORANGE RUBBER CUP FOR JOYSTICK	1.00000
41	FF180/42.0059.0361	TALL ORANGE RUBBER CUP FOR JOYSTICK	1.00000
42	FF180/42.0059.0367	GREEN RUBBER CUP FOR JOYSTICK	1.00000
43	FF180/42.0059.0368	GRAY RUBBER CAP FOR JOYSTICK	1.00000
44	C030866	THROTTLE HANDLE WITH SCALE	1.00000



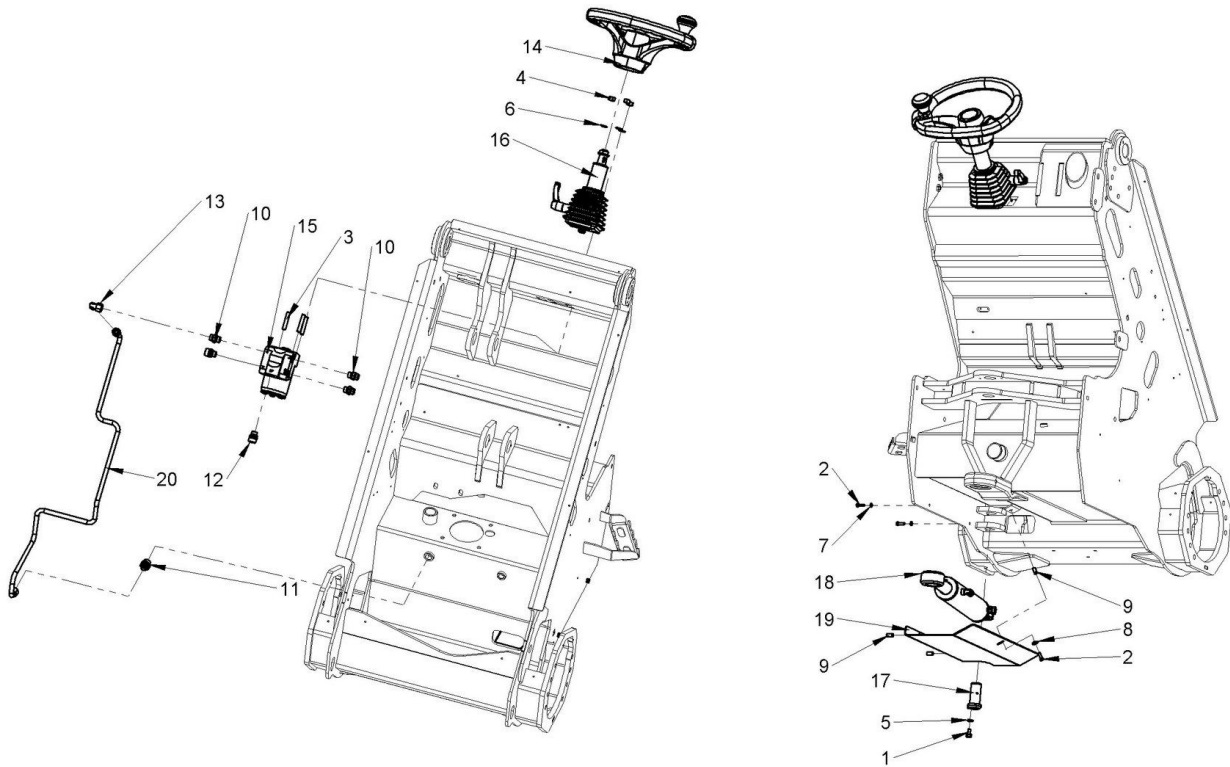
Component list [TAV. 08 M1 10 MUFFLER BATTERY AIR FILTER]

Pos.	Code	Description	Q.ty
1	C019202	HEXAGON FLANGE BOLT M8X20 DIN 6921	4.00000
2	C019204	HEXAGON FLANGE BOLT M8X30 ZB UNI EN ISO 1665	6.00000
3	C020051	ISO 4017 M6x20 SCREW	1.00000
4	C020169	HEXAGON SOCKET COUNTERSUNK HEAD CAP SCREW 10.9 M8x30 ZN UNI5933	1.00000
5	C020219	UNI 5931 M10x25 SCREW	1.00000
6	C020548	HEXAGON SOCKET OVAL HEAD SCREW M6x20 ZN UNI/ISO 7380	2.00000
7	C021104	PREVAILING TORQUE-TYPE HEXAGONAL NUTS WITH POLYAMIDE RING M6 UNI 7473	2.00000
8	C021502	SLOTTED AND CASTLE HEXAGON NUTS M8 DIN980	10.00000
9	C023042	SELF LOCKING FLANGE NORD LOCK M10	1.00000
10	C023071	PLAIN WASHER M8 8.4x16x1.6 UNI6592	4.00000
11	C023090	FLAT WASHER M6 6.4x12x1.6 UNI 6592	1.00000
12	C023100	PLAIN WASHER LARGE SERIES M8 DIN 9021	2.00000
13	C023110	PLAIN WASHER LARGE SERIES M6 6.5X18X1.5 DIN9021	4.00000
14	C029034	CLAMP 12MM INOX 60-80	4.00000
15	C029253	PANNELLO IN GOMMA ANTIVIBRAZIONI mm. 210x175 Sp. 3	1.00000
16	C036027	REDUCTION PIPE TYPE İ70-İ57	1.00000



Draft and part list report
Serial n / code M331411 / C966000
Description MULTIONE 10.8

17	C036411	BATTERY 12V 100 AH	1.00000
18	C039078	7 INCH AIR FILTER BODY	1.00000
19	C039144	7 INCH AIR FILTER FAST CLAMP	1.00000
20	C039145	RUBBER PIPE BENDS FOR 7 INCH AIR FILTER	1.00000
21	C039213	M1 10.8 MUFFLER	1.00000
22	C277108	BATTERY BRACKET	1.00000
23	C282522	METAL BENDS FOR AIR INTAKE	1.00000
24	C282545	M1 10.8 AIR FILTER BRACKET	1.00000
25	C282598	BATTERY BRACKET	1.00000



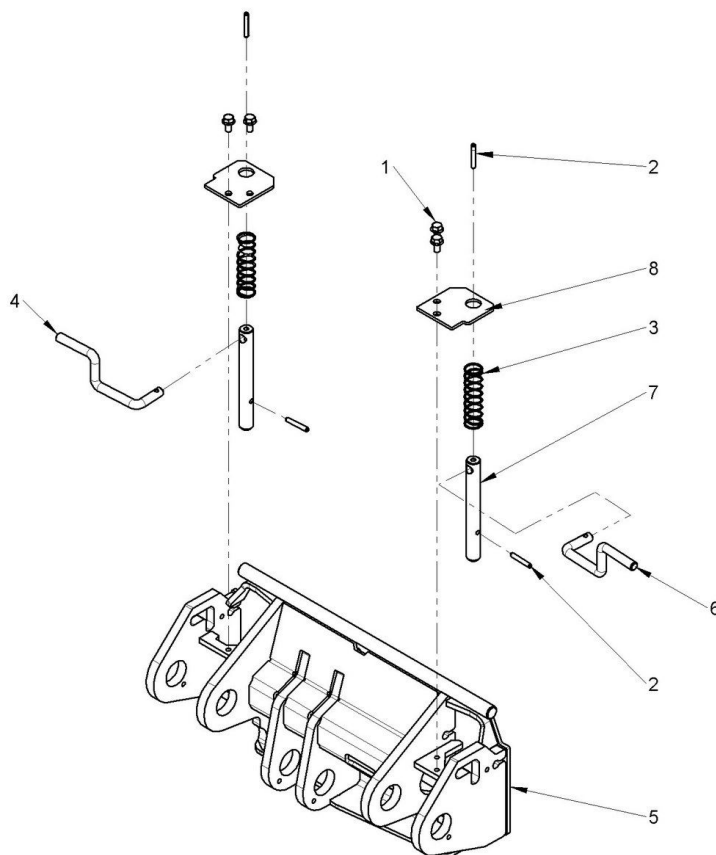
Component list [TAV. 09 M1 10 POWER STEERING]

Pos.	Code	Description	Q.ty
1	C019201	HEXAGON FLANGE BOLT M8x16 DIN 6921	1.00000
2	C020051	ISO 4017 M6x20 SCREW	3.00000
3	C020551	THREAD BAR M10X50	3.00000
4	C021503	SELF-LOCKING HEXAGONAL NUT M10 ZN DIN980	3.00000
5	C023041	NORD LOCK WASHER M8	1.00000
6	C023080	FLAT WASHER X M10 10.5X20X2	3.00000
7	C023090	FLAT WASHER M6 6.4x12x1.6 UNI 6592	2.00000
8	C023110	PLAIN WASHER LARGE SERIES M6 6.5X18X1.5 DIN9021	1.00000
9	C028271	THREAD INSERT M6	3.00000
10	C033001	NIPPLES 3/8" G / 12L	3.00000
11	C033002	NIPPLES 1/2" G / 12L	1.00000
12	C033003	NIPPLES 1/2" G / 15L	2.00000
13	C033024	ELBOW FITTING F12L ORIENT. /M12L	1.00000
14	C036465	STEERING WHEEL BLUE	1.00000
15	C038512	HYDRODRIVE 125CC	1.00000
16	C038517	ADJUSTING STEERING COLUMN L=150	1.00000



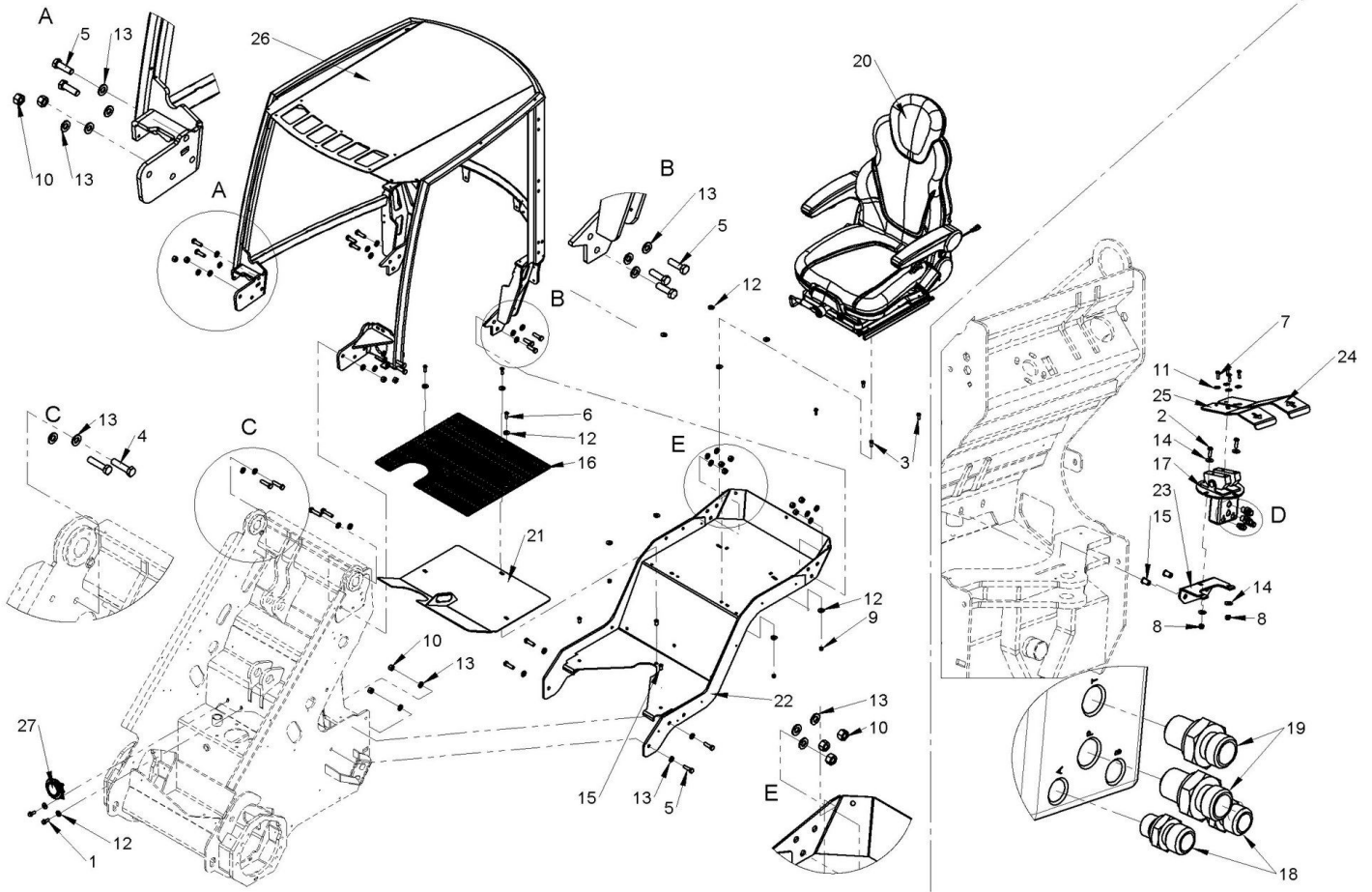
Draft and part list report
Serial n / code M331411 / C966000
Description MULTIONE 10.8

17	C230164	Ø30x66 PIN	1.00000
18	C282425	POWER STEERING CYLINDER	1.00000
19	C282549	POWER STERRING CYLINDER PROTECTION	1.00000
20	C810376/04	{{>desc}}	1.00000



Component list [TAV. 10 M1 6-10 COUPLING PLATE]

Pos.	Code	Description	Q.ty
1	C019201	HEXAGON FLANGE BOLT M8x16 DIN 6921	4.00000
2	C028267	SPRING TYPE STRAIGHT PIN ĩ6x40 UNI 6875	4.00000
3	C220330	COMPRESSION SPRING	2.00000
4	C281827	LEFT LEVER, COUPLING PLATE	1.00000
5	C281860	COUPLING PLATE	1.00000
6	C281869	RIGHT LEVER, COUPLING PLATE	1.00000
7	C281870/L	LOCKIN ATTACHMENTS PIN	2.00000
8	C281871	CENTERING PIN PLATE	2.00000



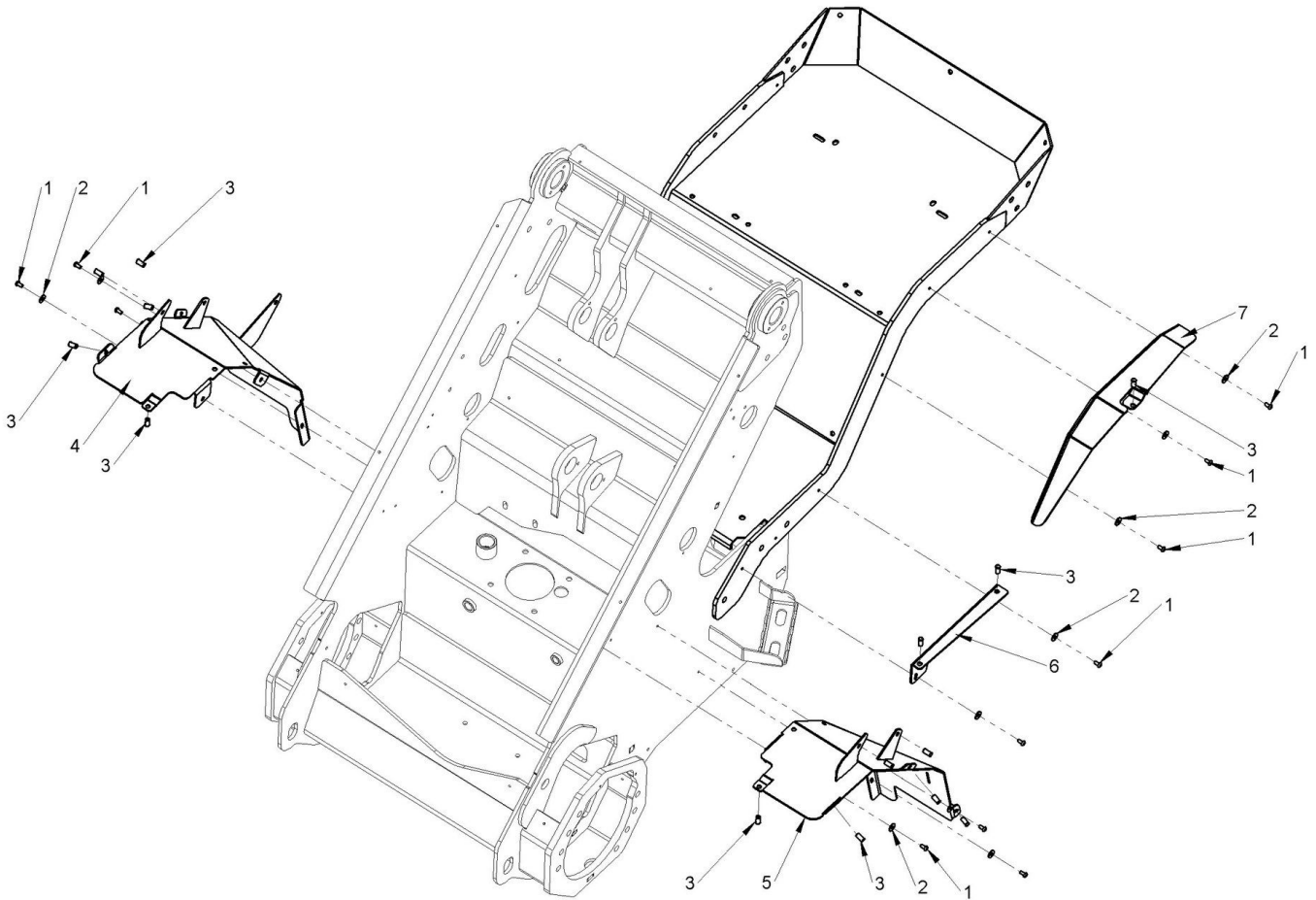
Component list [TAV. 11 M1 10 ROLLBAR, SEAT, SUPPORT SEAT]

Pos.	Code	Description	Q.ty
1	C019203	HEXAGON FLANGE BOLT M8X25 ISO 1665	2.00000
2	C020051	ISO 4017 M6x20 SCREW	2.00000
3	C020072	HEXAGON HEAD BOLT 8.8 M8X20 UNI 5739	4.00000
4	C020136	HEXAGON HEAD SCREW 8.8 M12X50 ISO4017	4.00000
5	C020139	HEXAGON HEAD SCREW M12x40 UNI 4017	14.00000
6	C020543	HEXAGON SOCKET OVAL HEAD SCREW M8x25 ISO 7380	3.00000
7	C020547	HEXAGON SOCKET OVAL HEAD SCREW M5x16 ISO 7380	4.00000
8	C021104	PREVAILING TORQUE-TYPE HEXAGONAL NUTS WITH POLYAMIDE RING M6 UNI 7473	2.00000
9	C021502	SLOTTED AND CASTLE HEXAGON NUTS M8 DIN980	4.00000
10	C021504	SELF BRAKING NUT M12 DIN 980	14.00000
11	C023098	PLAIN WASHER LARGE SERIES M5 DIN 9021	4.00000
12	C023100	PLAIN WASHER LARGE SERIES M8 DIN 9021	13.00000
13	C023102	PLAIN WASHER M12 UNI 6592	32.00000
14	C023110	PLAIN WASHER LARGE SERIES M6 6.5X18X1.5 DIN9021	4.00000
15	C028270	THREAD INSERT M8	5.00000
16	C029259	ROOF PADS FOR MULTIONE M1	1.00000



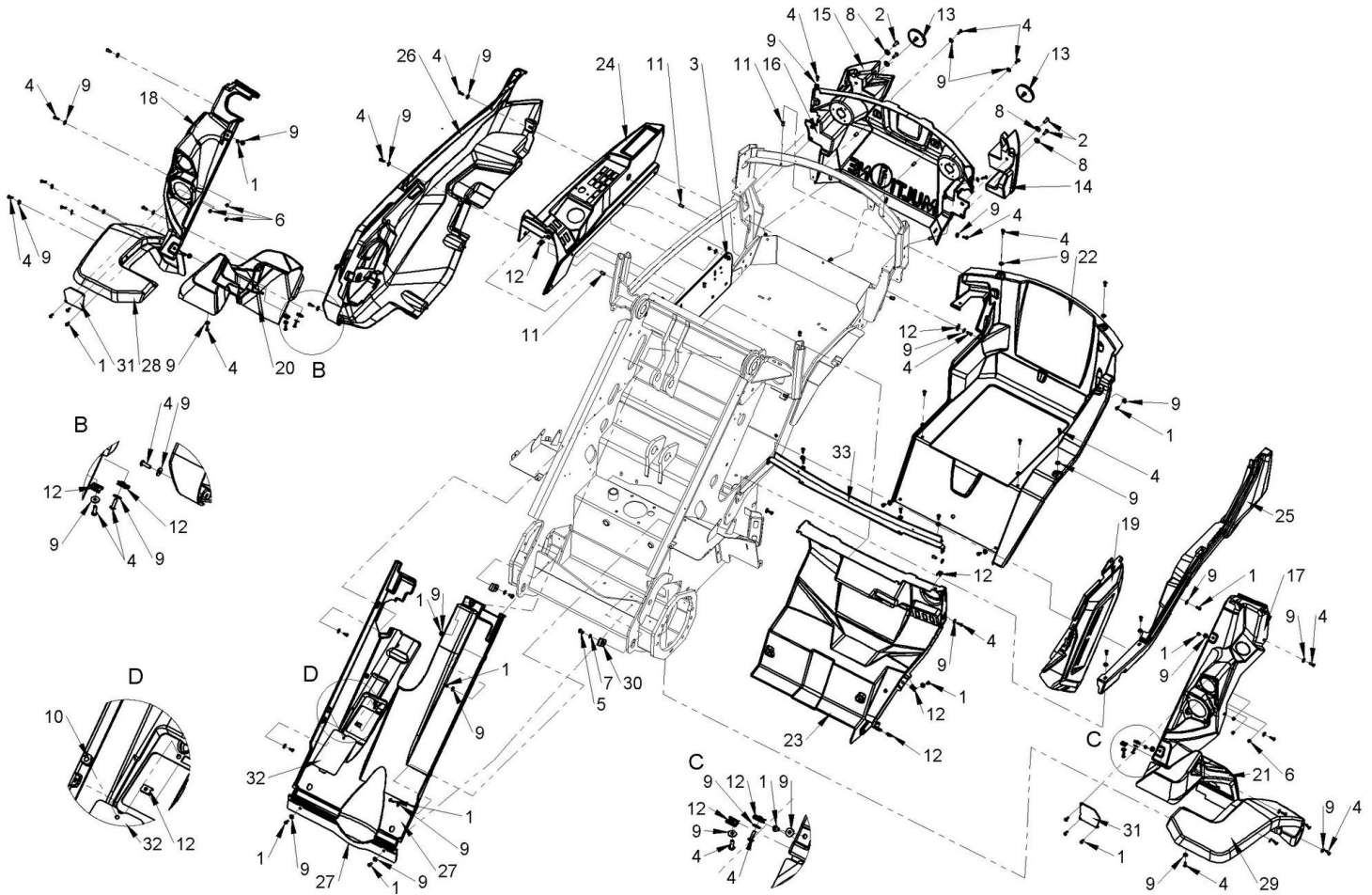
Draft and part list report
Serial n / code M331411 / C966000
Description MULTIONE 10.8

17	C030729	TWIN PEDAL CONTROL BLOCK W/OUT PEDAL	1.00000
18	C033008	NIPPLES 1/8"" GAS / 6L	2.00000
19	C033134	NIPPLES 1/4GAS-8L	2.00000
20	C036772	LUXURY HEATED SEAT FOR MULTIONE WITH SUSPENSION	1.00000
21	C281747	UNDER FEET PLATFORM	1.00000
22	C281763	FIXING BASE SEAT M1 6->10	1.00000
23	C281766	PEDAL CONTROL BLOCK SUPPORT	1.00000
24	C281767	FORWARD PEDAL	1.00000
25	C281768	BACKWARDS PEDAL	1.00000
26	C282200	ROLL-BAR FRAME REV.16	1.00000
27	FF180/135007	HORN DEVICE	1.00000



Component list [TAV. 12 M1 9-10 FRONT COVER SUPPORT]

Pos.	Code	Description	Q.ty
1	C020542	HEXAGON SOCKET OVAL HEAD SCREW M6x12 ZN ISO 7380	11.00000
2	C023110	PLAIN WASHER LARGE SERIES M6 6.5X18X1.5 DIN9021	11.00000
3	C028271	THREAD INSERT M6	15.00000
4	C281883	RIGHT MUDGUARD ASSEMBLY	1.00000
5	C281884	LEFT MUDGUARD ASSEMBLY	1.00000
6	C281894	SUPPORT FOR PLASTIC STEP FRAME M1 3->10	1.00000
7	C281895	UNDER SEAT COVER SUPPORT REV.01	1.00000



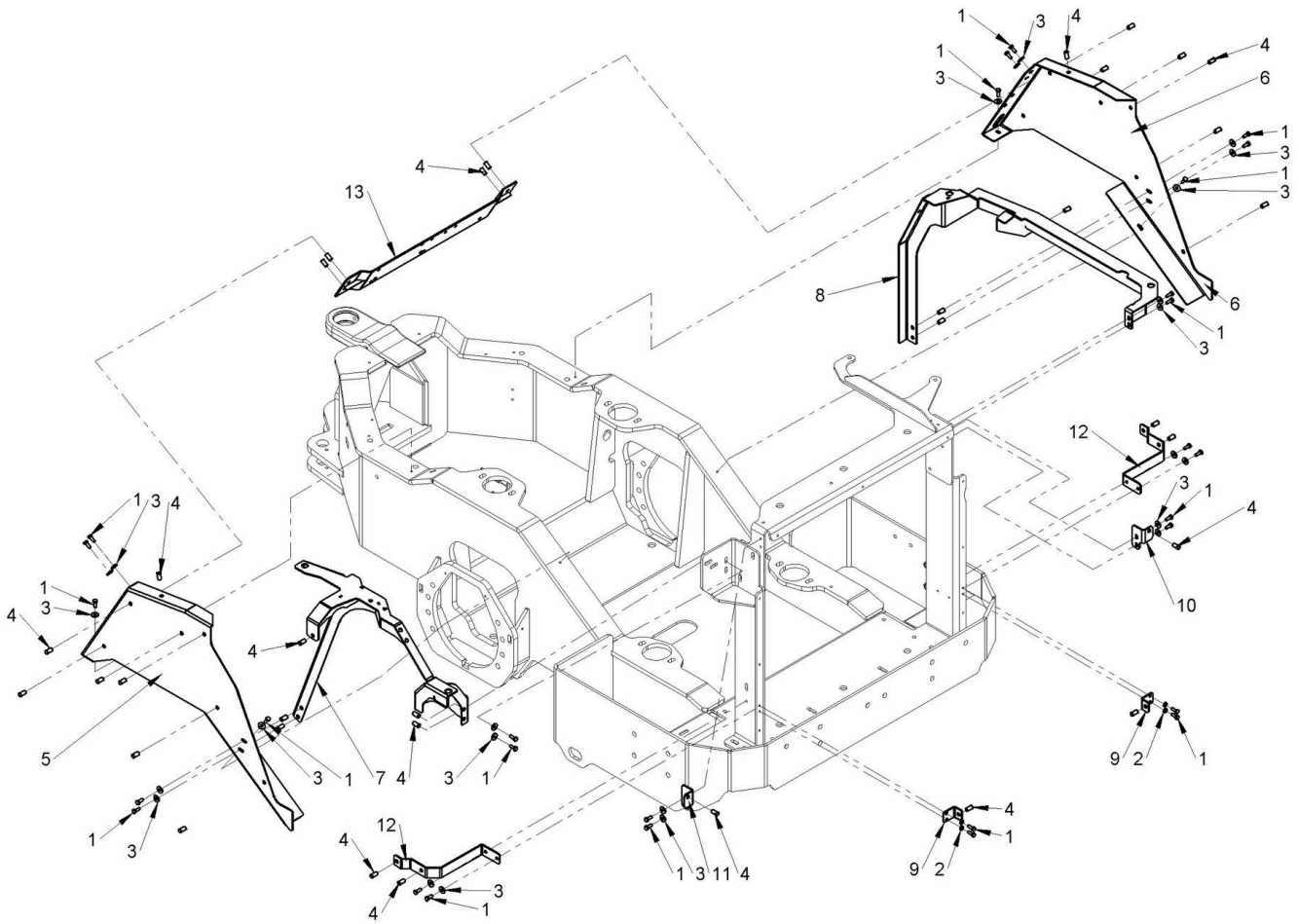
Component list [TAV. 13 M1 9.6-10 FRONT COVER]

Pos.	Code	Description	Q.ty
1	C020145	HEXAGON SOCKET OVAL HEAD SCREW M6x16 ISO 7380	32.00000
2	C020543	HEXAGON SOCKET OVAL HEAD SCREW M8x25 ISO 7380	4.00000
3	C020546	HEXAGON SOCKET OVAL HEAD SCREW M6x25 ISO 7380	3.00000
4	C020548	HEXAGON SOCKET OVAL HEAD SCREW M6x20 ZN UNI/ISO 7380	46.00000
5	C020549	ISO 7380 M8x16 SCREW	2.00000
6	C021104	PREVAILING TORQUE-TYPE HEXAGONAL NUTS WITH POLYAMIDE RING M6 UNI 7473	9.00000
7	C023071	PLAIN WASHER M8 8.4x16x1.6 UNI6592	2.00000
8	C023100	PLAIN WASHER LARGE SERIES M8 DIN 9021	4.00000
9	C023110	PLAIN WASHER LARGE SERIES M6 6.5X18X1.5 DIN9021	79.00000
10	C028024	THREE-LOBED LOWERED HANDWHEEL WITH M6x20 THREADED PIN	1.00000
11	C028271	THREAD INSERT M6	17.00000
12	C028285	MULTITHREAD U-TYPE NUT M6	12.00000
13	C034018	Ø80 RED RETRO REFLECTOR	2.00000
14	C041386	LEFT RUBBER PROTECTION MK-MZ	1.00000
15	C041387	RIGHT RUBBER PROTECTION MK-MZ	1.00000
16	C041427	BACK CABIN COVER WITH NO A/C	1.00000



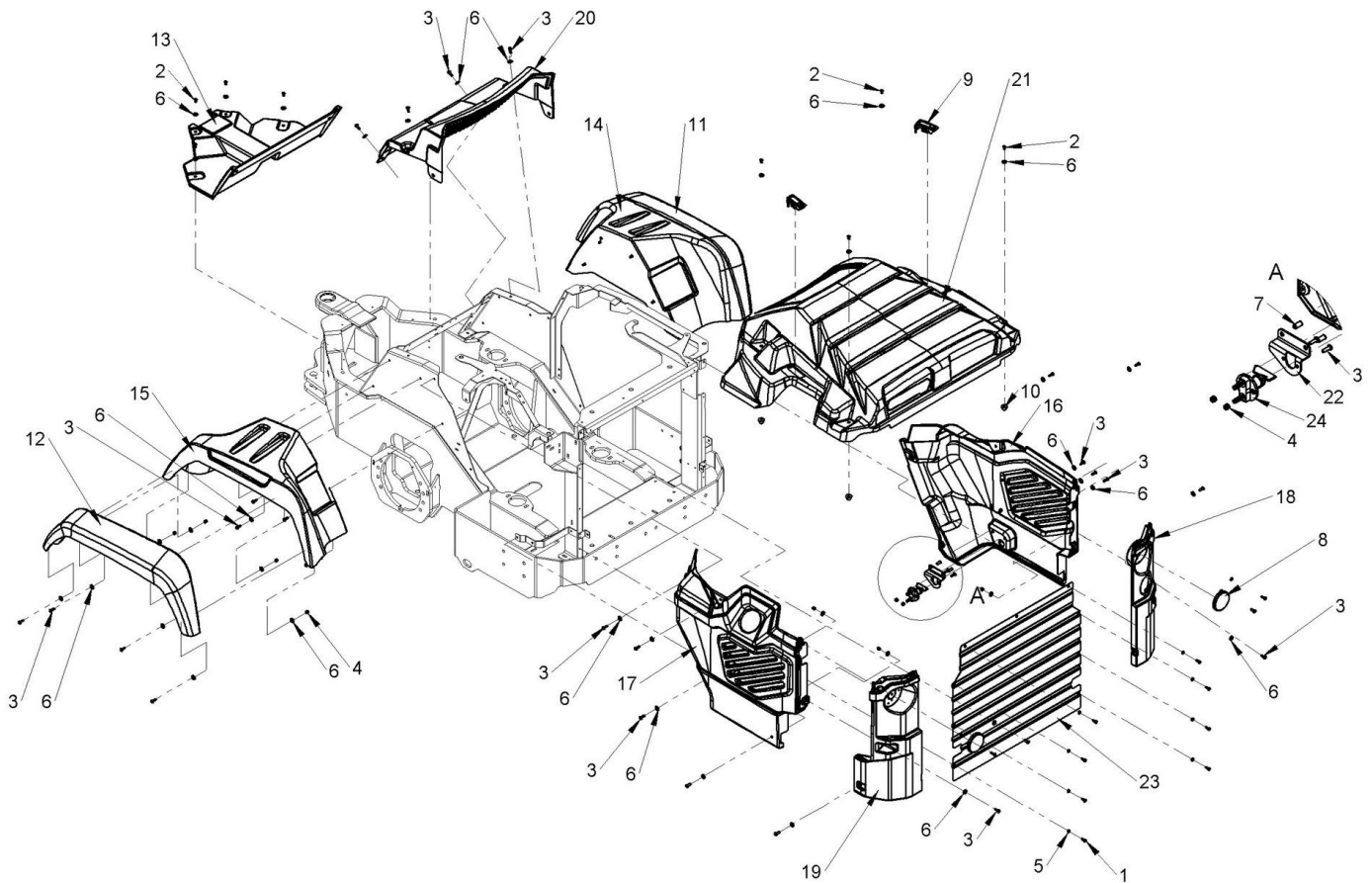
Draft and part list report
Serial n / code M331411 / C966000
Description MULTIONE 10.8

17	C041429	FRONT LEFT LIGHT SUPPORT	1.00000
18	C041430	FRONT RIGHT LIGHT SUPPORT	1.00000
19	C041431	FRONT LEFT SIDE COVER	1.00000
20	C041432	FRONT RIGHT WHEEL BOX	1.00000
21	C041433	FRONT LEFT WHEEL BOX	1.00000
22	C041437	UNDER SEAT COVER	1.00000
23	C041438	FRONT DASHBOARD COVER	1.00000
24	C041442	M1 8.5-9.6-10 RIGHT SIDE DASHBOARD	1.00000
25	C041443	LEFT DOOR SLAM	1.00000
26	C041446	COMPOSED FRONT RIGHT SIDE	1.00000
27	C041456	UNDER BOOM COVER	1.00000
28	C041457	FRONT RIGHT MUDGUARD EXTENSION	1.00000
29	C041458	FRONT LEFT MUDGUARD EXTENSION	1.00000
30	C277807	BOOM STOPPER ON FRONT FRAME	2.00000
31	C281604	ROAD HOLE BLINDING PLATE	2.00000
32	C281893	OIL TANK INSPECTION DOOR	1.00000
33	C282239	FRONT GLASS SUPPORT	1.00000



Component list [TAV. 14 M1 9-10 REAR COVER SUPPORT]

Pos.	Code	Description	Q.ty
1	C020050	HEXAGON HEAD PIPE PLUG M6X16 UNI 5739	28.00000
2	C023090	FLAT WASHER M6 6.4x12x1.6 UNI 6592	4.00000
3	C023110	PLAIN WASHER LARGE SERIES M6 6.5X18X1.5 DIN9021	24.00000
4	C028271	THREAD INSERT M6	34.00000
5	C282550	REAR LEFT MUDGUARD SUPPORT	1.00000
6	C282551	REAR RIGHT MUDGUARD SUPPORT	1.00000
7	C282552	REAR LEFT COVER SUPPORT	1.00000
8	C282557	RIGHT SUPPORT COVER FRAME	1.00000
9	C282593	REAR COVER SUPPORT	2.00000
10	C282594	REAR RIGHT UPPER COVER SUPPORT	1.00000
11	C282595	REAR LEFT UPPER COVER SUPPORT	1.00000
12	C282597	REAR LOWER COVER SUPPORT	2.00000
13	C282716	ECU SUPPORT	1.00000



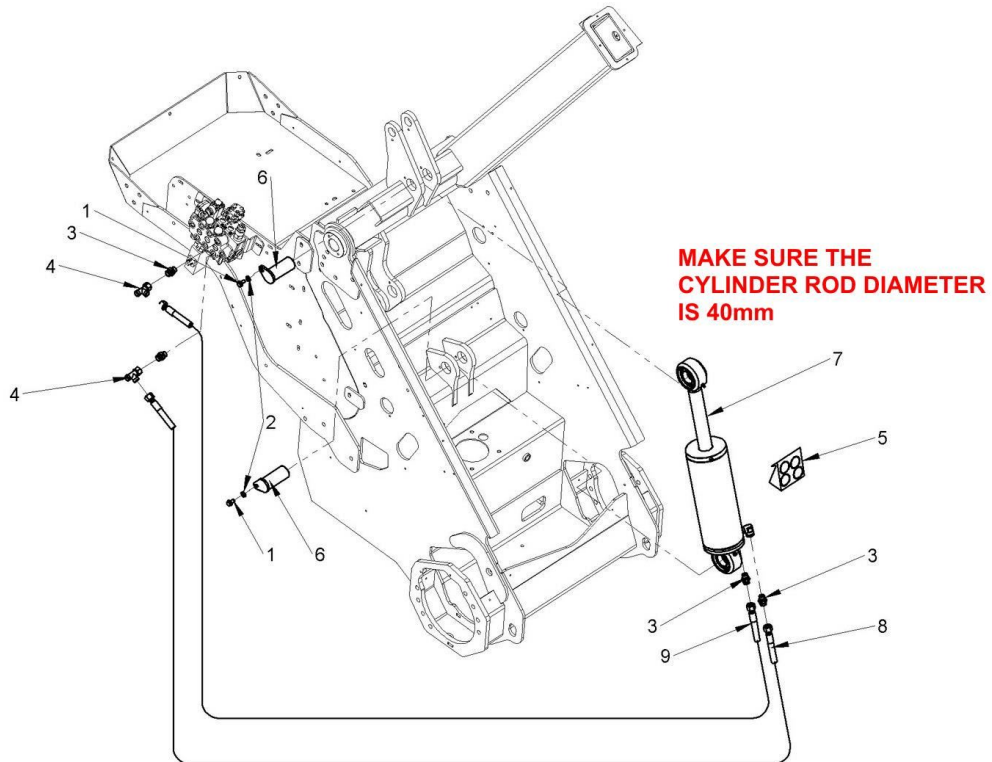
Component list [TAV. 15 M1 9-10 REAR COVER]

Pos.	Code	Description	Q.ty
1	C020050	HEXAGON HEAD PIPE PLUG M6X16 UNI 5739	8.00000
2	C020542	HEXAGON SOCKET OVAL HEAD SCREW M6x12 ZN ISO 7380	8.00000
3	C020548	HEXAGON SOCKET OVAL HEAD SCREW M6x20 ZN UNI/ISO 7380	42.00000
4	C021104	PREVAILING TORQUE-TYPE HEXAGONAL NUTS WITH POLYAMIDE RING M6 UNI 7473	14.00000
5	C023090	FLAT WASHER M6 6.4x12x1.6 UNI 6592	10.00000
6	C023110	PLAIN WASHER LARGE SERIES M6 6.5X18X1.5 DIN9021	58.00000
7	C028271	THREAD INSERT M6	2.00000
8	C034018	Ø80 RED RETRO REFLECTOR	2.00000
9	C035045	LOCK HANDLE	2.00000
10	C035142	PARABOLIC SILENT BLOCK İ24 H=16	8.00000
11	C041461	REAR RIGHT MUDGUARD EXTENSION	1.00000
12	C041462	REAR LEFT MUDGUARD EXTENSION	1.00000
13	C041463	ARTICULATION COVER	1.00000
14	C041464	M1 9 10 REAR RIGHT MUDGUARD	1.00000
15	C041465	M1 9 10 REAR LEFT MUDGUARD	1.00000
16	C041466	REAR RIGHT SIDE COVER	1.00000



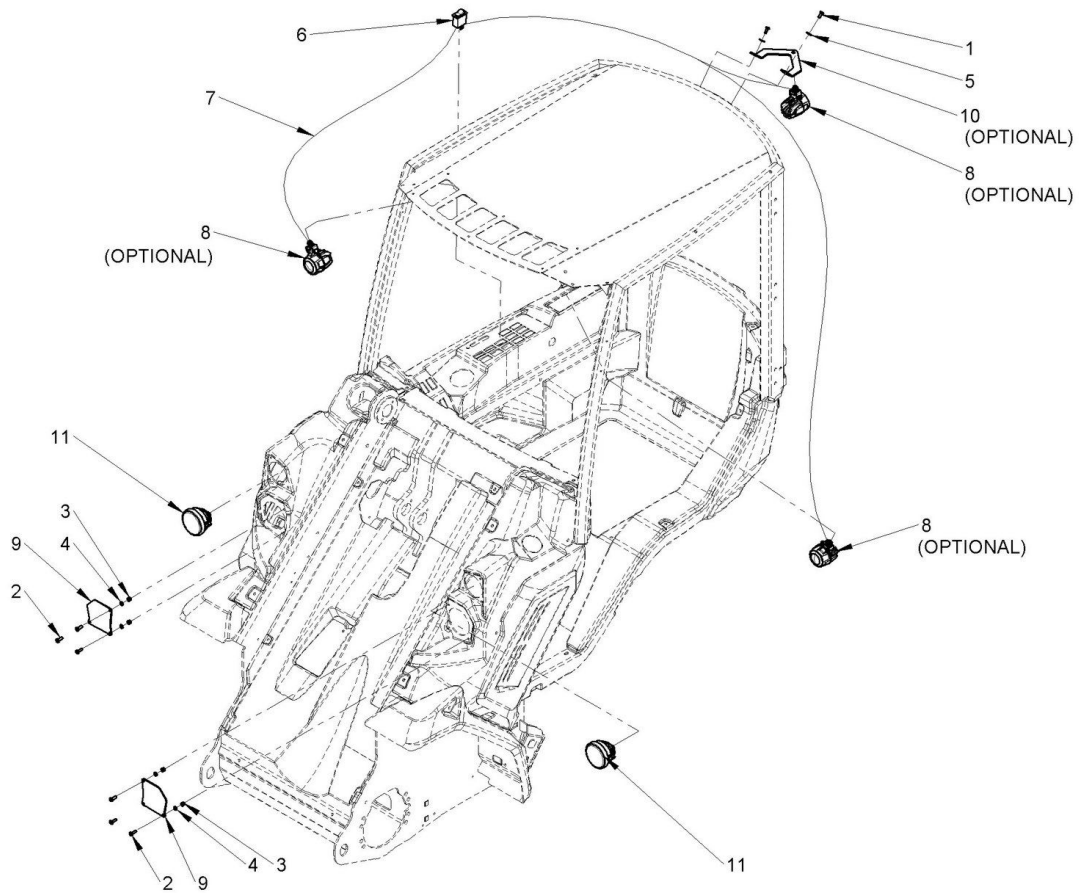
Draft and part list report
Serial n / code M331411 / C966000
Description MULTIONE 10.8

17	C041467	REAR LEFT SIDE COVER	1.00000
18	C041517	REAR RIGHT LIGHT SUPPORT	1.00000
19	C041518	REAR LEFT LIGHT SUPPORT	1.00000
20	C041522	OVER PUMP COVER	1.00000
21	C041524	OVER ENGINE ASSEMBLY COVER	1.00000
22	C281889	BATTERY SWITCH SUPPORT	1.00000
23	C282592	M1 9-10 RADIATOR NET	1.00000
24	FF180/0034.0303	BATTERY SWITCH	1.00000



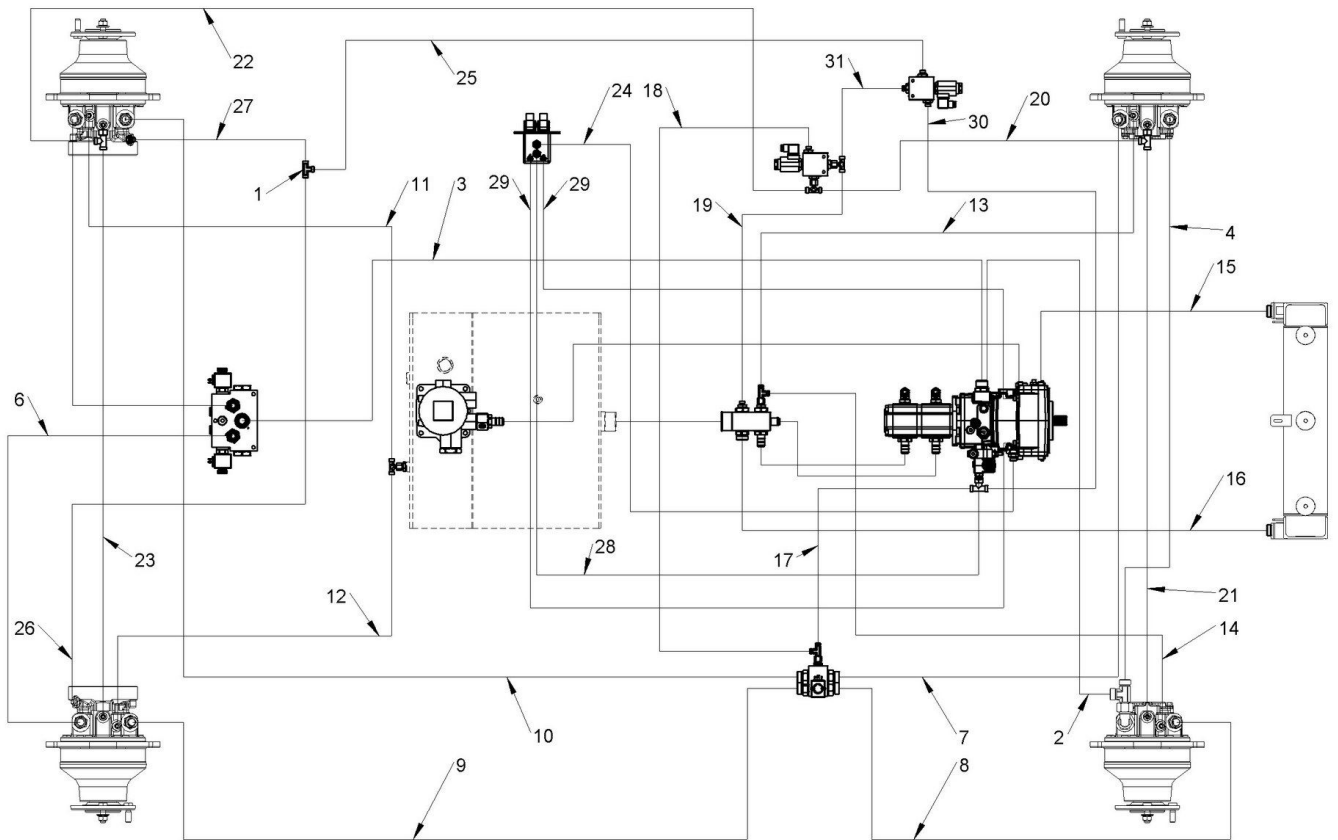
Component list [TAV. 16 M1 10 SELF LEVELLING]

Pos.	Code	Description	Q.ty
1	C019201	HEXAGON FLANGE BOLT M8x16 DIN 6921	2.00000
2	C023041	NORD LOCK WASHER M8	2.00000
3	C033001	NIPPLES 3/8" G / 12L	5.00000
4	C033032	T-CONNECTION F-M-M 12L	2.00000
5		{{>desc}}	1.00000
6	C281765	FLANGED PIN 140 L=90	2.00000
7	C282621	110-40-203 SELF LEVELING CYLINDER M1 10	1.00000
8	C810377/24	TUBO 3/8, L=1440, FD 12L, FD12L"3/8" HOSE, L=1440, FD 12L, FD12L"	1.00000
9	C810377/25	TUBO 3/8, L=1590, FD 12L, FD 12L"3/8" HOSE, L=1590, FD 12L, FD 12L"	1.00000



Component list [TAV. 17 M1 6-10 STANDARD AND OPTIONAL WORK LIGHT]

Pos.	Code	Description	Q.ty
1	C020145	HEXAGON SOCKET OVAL HEAD SCREW M6x16 ISO 7380	2.00000
2	C020548	HEXAGON SOCKET OVAL HEAD SCREW M6x20 ZN UNI/ISO 7380	6.00000
3	C021104	PREVAILING TORQUE-TYPE HEXAGONAL NUTS WITH POLYAMIDE RING M6 UNI 7473	6.00000
4	C023090	FLAT WASHER M6 6.4x12x1.6 UNI 6592	6.00000
5	C023110	PLAIN WASHER LARGE SERIES M6 6.5X18X1.5 DIN9021	2.00000
6	C036159	ADDITIONAL WORK LIGHT SWITCH	1.00000
7	C038030	3 WORKING LIGHT ON ROOF FOR M1 WIRING	1.00000
8	C036101	LED WORKING LIGHT WITH BRACKET	3.00000
9	C281604	ROAD HOLE BLINDING PLATE	2.00000
10	C282236	BACK WORK LIGHT SUPPORT	1.00000
11	FF180/05.0697.0000.03	FRONT WORKING LIGHT, HALOGEN	2.00000



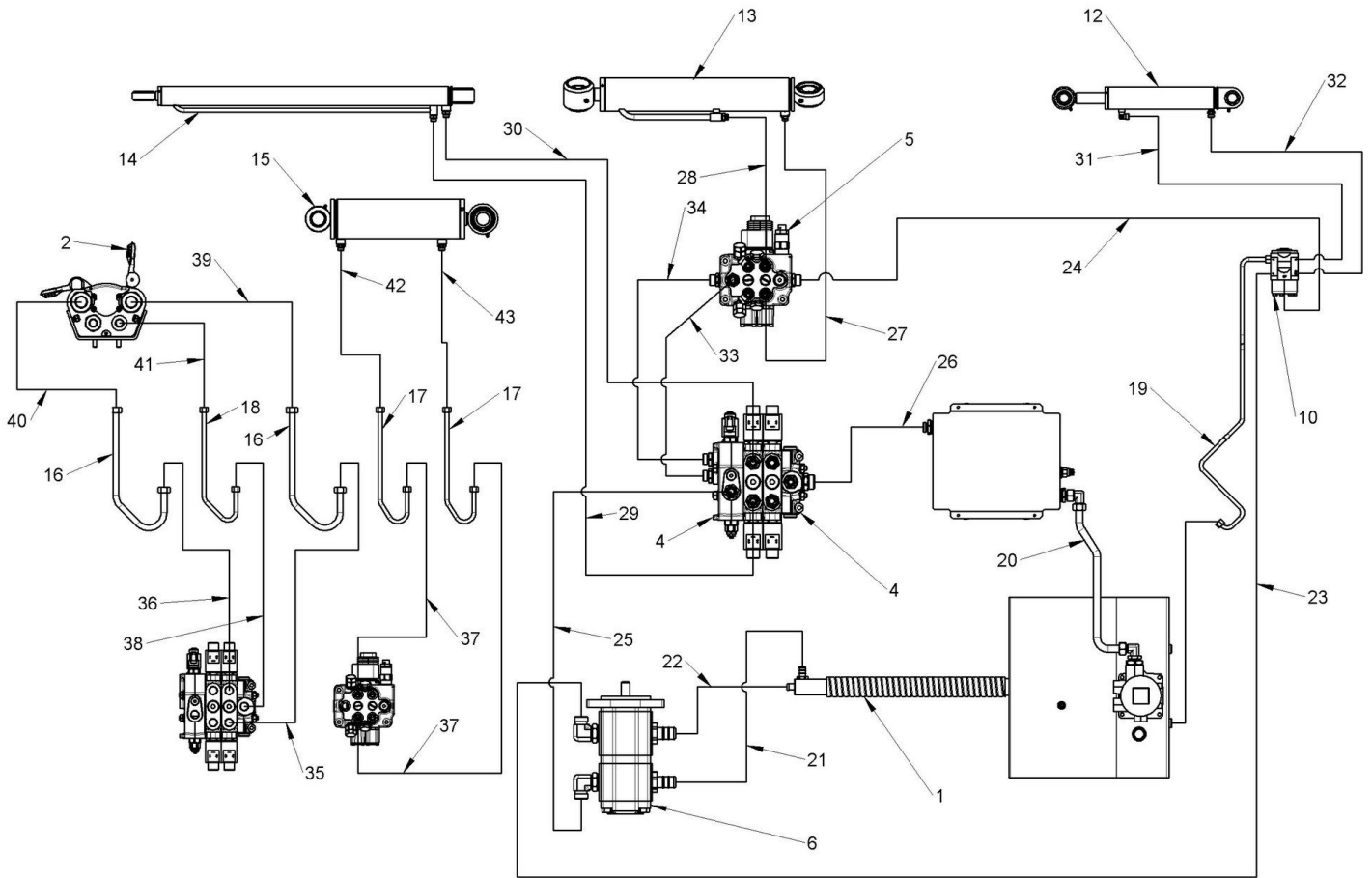
Component list [TAV. 18 M1 9-10 HYDRAULIC TRANSMISSION CIRCUIT]

Pos.	Code	Description	Q.ty
2	C810377/01	{{>desc}}	1.00000
3	C810377/02	{{>desc}}	1.00000
4	C810377/03	{{>desc}}	1.00000
5	C810377/05	{{>desc}}	1.00000
6	C810377/06	{{>desc}}	1.00000
7	C810377/07	{{>desc}}	1.00000
8	C810377/08	{{>desc}}	1.00000
9	C810377/09	{{>desc}}	1.00000
10	C810377/10	{{>desc}}	1.00000
11	C810377/11	{{>desc}}	1.00000
12	C810377/12	{{>desc}}	1.00000
13	C810377/13	{{>desc}}	1.00000
14	C810377/14	{{>desc}}	1.00000
15	C810377/20	{{>desc}}	1.00000
16	C810377/21	{{>desc}}	1.00000
17	C810377/32	{{>desc}}	1.00000



Draft and part list report
Serial n / code M331411 / C966000
Description MULTIONE 10.8

18	C810377/33	{{>desc}}	1.00000
19	C810377/34	{{>desc}}	1.00000
20	C810377/35	{{>desc}}	1.00000
21	C810377/36	{{>desc}}	1.00000
22	C810377/37	{{>desc}}	1.00000
23	C810377/38	{{>desc}}	1.00000
24	C810377/39	{{>desc}}	1.00000
25	C810377/40	{{>desc}}	1.00000
26	C810377/41	{{>desc}}	1.00000
27	C810377/42	{{>desc}}	1.00000
28	C810377/43	{{>desc}}	1.00000
29	C810377/44	{{>desc}}	2.00000
30	C810377/54	{{>desc}}	1.00000
31	C810377/55	{{>desc}}	1.00000



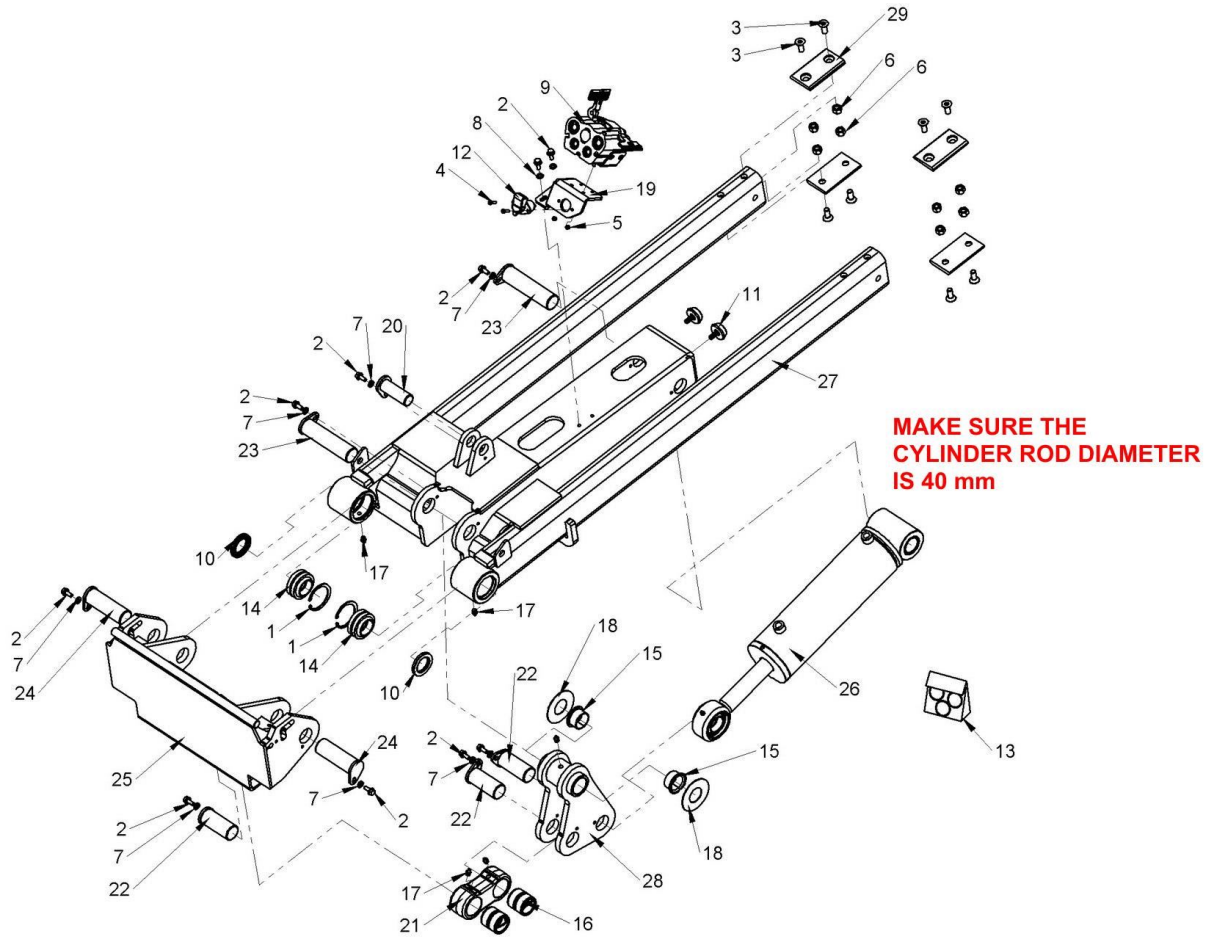
Component list [TAV. 19 M1 9-10 UTILITIES HYDRAULIC CIRCUIT]

Pos.	Code	Description	Q.ty
1	C030103	SUCTION OIL PIPE İ51x61	1.00000
2	C030480	HYDRAULIC MULTICONNECTOR, FIX 3 WAY	1.00000
3	C030588	OIL COOLER FOR MULTIONE S/SL800 SERIES	1.00000
4	C030778	2 SECTION ELECTRIC HYDR DISTRIBUTOR	2.00000
5	C030779	2 SECTION HYDR DISTRIBUTOR	2.00000
6	C030989	20+11 cc TWIN GEAR PUMP	1.00000
7	C033001	NIPPLES 3/8" G / 12L	6.00000
8	C033300	STRAIGHT HOSE CONNECTOR 3/4" FOR 3/4" HOSE	3.00000
9	C036638	M1 9, 10 OIL FILTER ASSY	1.00000
10	C038512	HYDRODRIVE 125CC	1.00000
11	C261111	SUCTION PUMPS MANIFOLD	1.00000
12	C282425	POWER STEERING CYLINDER	1.00000
13	C282708	M1 10 LIFTING BOOM CYLINDER	1.00000
14	C282428	CYLINDER EXTENSION BOOM	1.00000
15	C282620	TILT PLATE CYLINDER	1.00000
16	C810376/001	{{>desc}}	2.00000



Draft and part list report
Serial n / code M331411 / C966000
Description MULTIONE 10.8

17	C810376/002	{{>desc}}	2.00000
18	C810376/003	{{>desc}}	1.00000
19	C810376/004	{{>desc}}	1.00000
20	C810376/005	{{>desc}}	1.00000
21	C030102	OIL SUCTION PIPE İ19x28	0.40000
22	C030102	OIL SUCTION PIPE İ19x28	0.40000
23	C810377/15	TUBO G 1/2, L=1700, FD 15L, F90 15LHOSE G 1/2, L=1700, FD 15L, F90 15L	1.00000
24	C810377/16	TUBO G 1/2, L=1700, F45 15L, FD 15LHOSE G 1/2, L=1700, F45 15L, FD 15L	1.00000
25	C810377/17	TUBO G 1/2, L=1730, FD 15L, F90 15LHOSE G 1/2, L=1730, FD 15L, F90 15L	1.00000
26	C810377/18	TUBO G 3/4, L=280, F90 22L, F90 22L, ORIENT. 180 HOSE G 3/4, L=280, F90 22L, F90 22L, ORIENT. 180	1.00000
27	C810377/22	TUBO G 3/8. L=900, F90 12L, FD 12LHOSE G 3/8. L=900, F90 12L, FD 12L	1.00000
28	C810377/23	TUBO G 3/8. L=900, F90 12L, FD 12LHOSE G 3/8. L=900, F90 12L, FD 12L	1.00000
29	C810377/26	TUBO G 1/4, L=1160, F90 12L, FD 12LHOSE G 1/4, L=1160, F90 12L, FD 12L	1.00000
30	C810377/27	TUBO G 1/4, L=1080, F90 12L, FD12LHOSE G 1/4, L=1080, F90 12L, FD12L	1.00000
31	C810377/28	TUBO G 1/4, L=1450, F90 12L, FD 12LHOSE G 1/4, L=1450, F90 12L, FD 12L	1.00000
32	C810377/29	TUBO G 1/4, L=1170, F90 12L, F90 12L, ORIENT. 180 HOSE G 1/4, L=1170, F90 12L, F90 12L, ORIENT. 180	1.00000
33	C810377/30	TUBO G 1/2, L=270, F45 15L, F90 15L, ORIENT. 270 HOSE G 1/2, L=270, F45 15L, F90 15L, ORIENT. 270	1.00000
34	C810377/31	TUBO G 1/2, L=260, F90 15L, F45 15L, ORIENT. 0 HOSE G 1/2, L=260, F90 15L, F45 15L, ORIENT. 0	1.00000
35	C810377/45	TUBO G 5/8, L=1210, F90 18L, MD 18LHOSE G 5/8, L=1210, F90 18L, MD 18L	1.00000
36	C810377/46	TUBO G 5/8, L=1170, F90 18L, MD 18LHOSE G 5/8, L=1170, F90 18L, MD 18L	1.00000
37	C810377/47	TUBO G 3/8, L=1360, F90 12L, MD 12LHOSE G 3/8, L=1360, F90 12L, MD 12L	2.00000
38	C810377/48	TUBO G 3/8, L=1230, F90 12L, MD 12LHOSE G 3/8, L=1230, F90 12L, MD 12L	1.00000
39	C810377/49	TUBO G 5/8, L=1030, MD 18L, M45 WEO 3/4HOSE G 5/8, L=1030, MD 18L, M45 WEO 3/4	1.00000
40	C810377/50	TUBO G 5/8, L=1030, MD 18L, M45 WEO 3/4HOSE G 5/8, L=1030, MD 18L, M45 WEO 3/4	1.00000
41	C810377/51	TUBO G 3/8, L=1170, MD 12L, M45 WEO 1/2HOSE G 3/8, L=1170, MD 12L, M45 WEO 1/2	1.00000
42	C810377/52	TUBO G 3/8, L=1130, MD 12L, F90 12LHOSE G 3/8, L=1130, MD 12L, F90 12L	1.00000
43	C810377/53	TUBO G 3/8, L=1480, MD 12L, F45 12LHOSE G 3/8, L=1480, MD 12L, F45 12L	1.00000



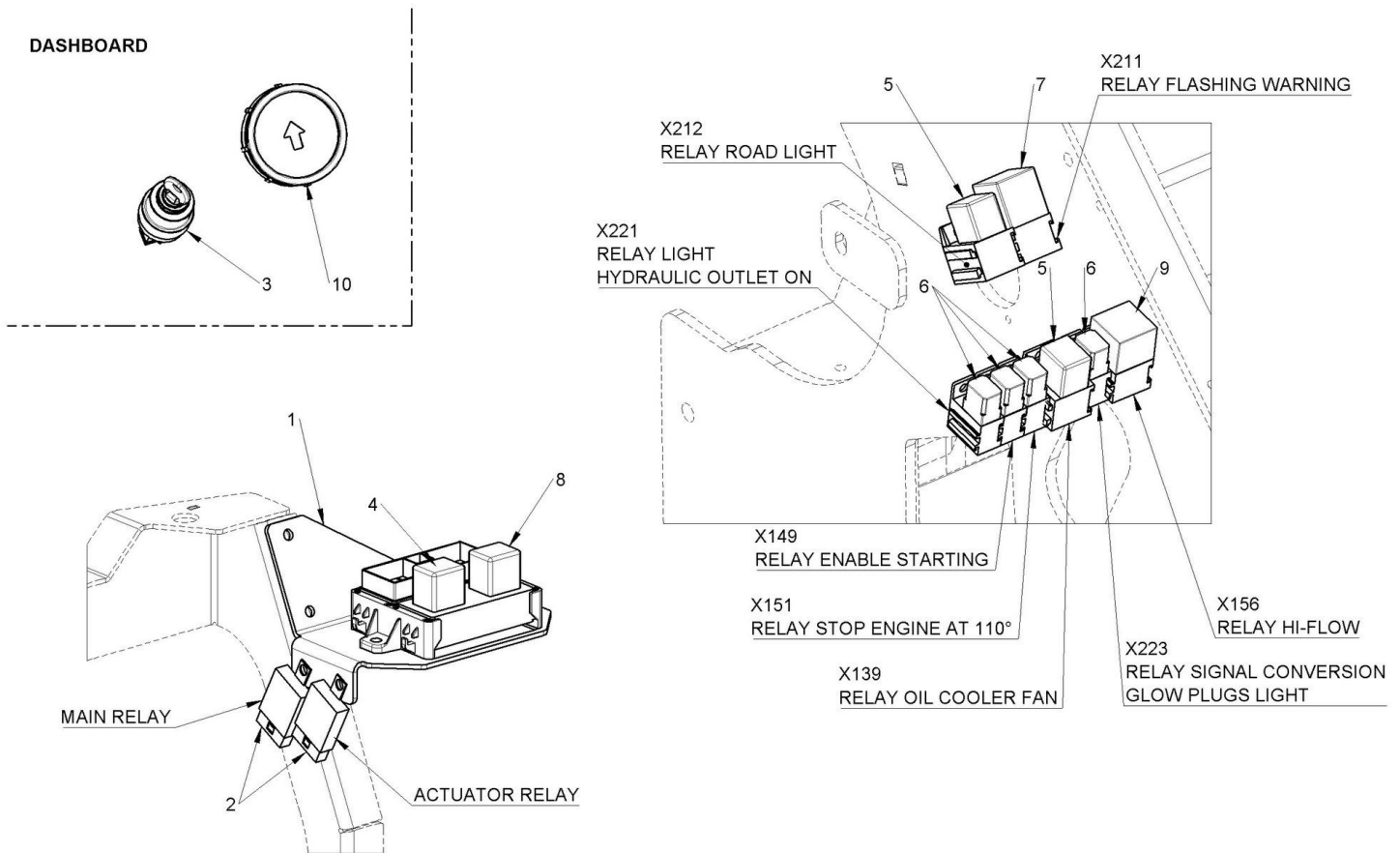
Component list [TAV. 20 M1 9-10 BOOM MOBILE PART]

Pos.	Code	Description	Q.ty
1	C018302	BORES SEEGER RING ĩ68 DIN 472	2.00000
2	C019202	HEXAGON FLANGE BOLT M8X20 DIN 6921	10.00000
3	C020181	HEXAGON SOCKET COUNTERSUNK HEAD CAP SCREW M12x30 UNI 5933	8.00000
4	C020287	RECESSED RAISED CHEESE HEAD SCREW M5x20 UNI 7687 DIN 7985	2.00000
5	C021102	PREVAILING TORQUE - TYPE HEXAGON NUT WITH POLYAMIDE RING M5 DIN 982	2.00000
6	C021504	SELF BRAKING NUT M12 DIN 980	8.00000
7	C023041	NORD LOCK WASHER M8	8.00000
8	C023071	PLAIN WASHER M8 8.4x16x1.6 UNI6592	2.00000
9	C030480	HYDRAULIC MULTICONNECTOR, FIX 3 WAY	1.00000
10	C035077	NBR SHAFT SEAL ĩ40x62x7	2.00000
11	C035078	RUBBER END	2.00000
12	FF180/25.036.100	3 POLE CONNECTOR (MACHINE MOUNT)	1.00000
13		{{>desc}}	1.00000
14	C037639	RADIAL SPHERICAL PLAIN BEARINGS GE 40 FO 2RS	2.00000
15	C037641	BUSHING ĩ40x44x55x25	2.00000
16	C037689	SIBO BUSHING 50x40x50	2.00000



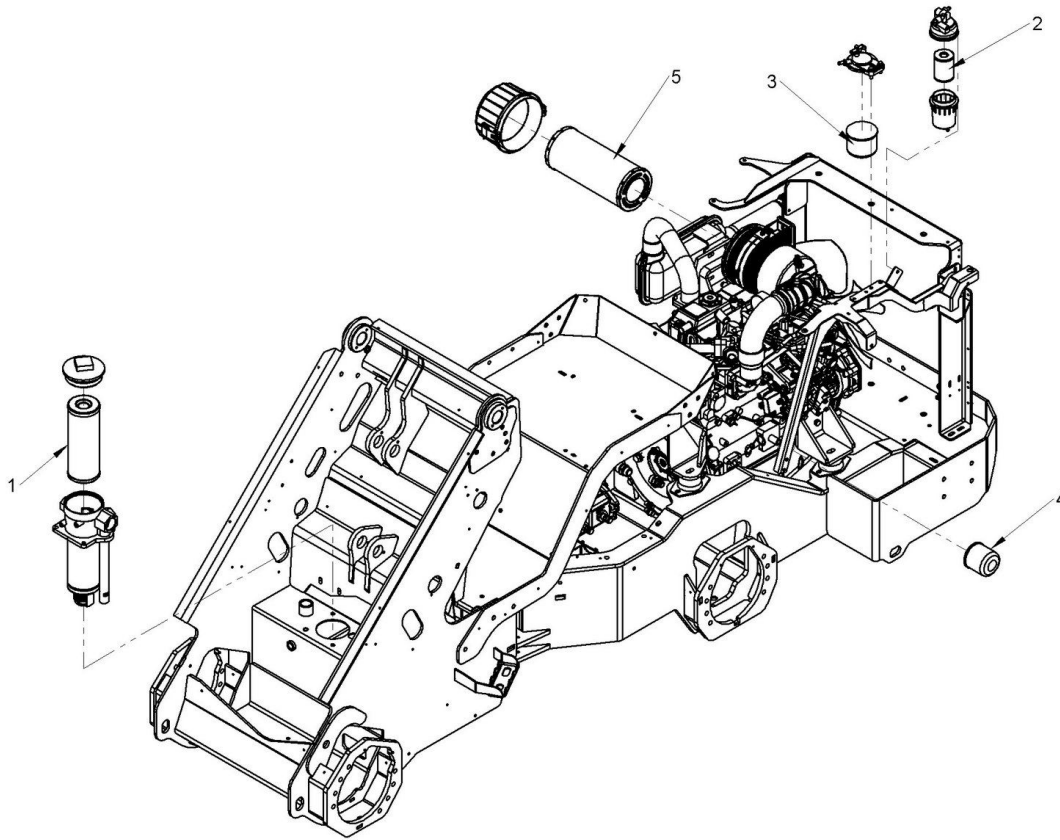
Draft and part list report
Serial n / code M331411 / C966000
Description MULTIONE 10.8

17	C090030	GREASER M10X1 UNI 7663A	5.00000
18	C274024	Ø88-Ø40,5 TH 1,5 SPACER	2.00000
19	C281640	MULTICONNECTOR PLATE SUPPORT	1.00000
20	C281704	Ø30x85 PIN	1.00000
21	C281713	COUPLING PLATE ROD	1.00000
22	C281765	FLANGED PIN Ĩ40 L=90	3.00000
23	C281779	PIN Ĩ40 L=155	2.00000
24	C281799	PIN Ĩ40 L=120	2.00000
25	C281860	COUPLING PLATE	1.00000
26	C282620	TILT PLATE CYLINDER	1.00000
27	C282640	TELESCOPIC BOOM MOBILE PART	1.00000
28	C282674	COUPLING PLATE ROD	1.00000
29	C282779	SLIDING PAD 9-10	4.00000



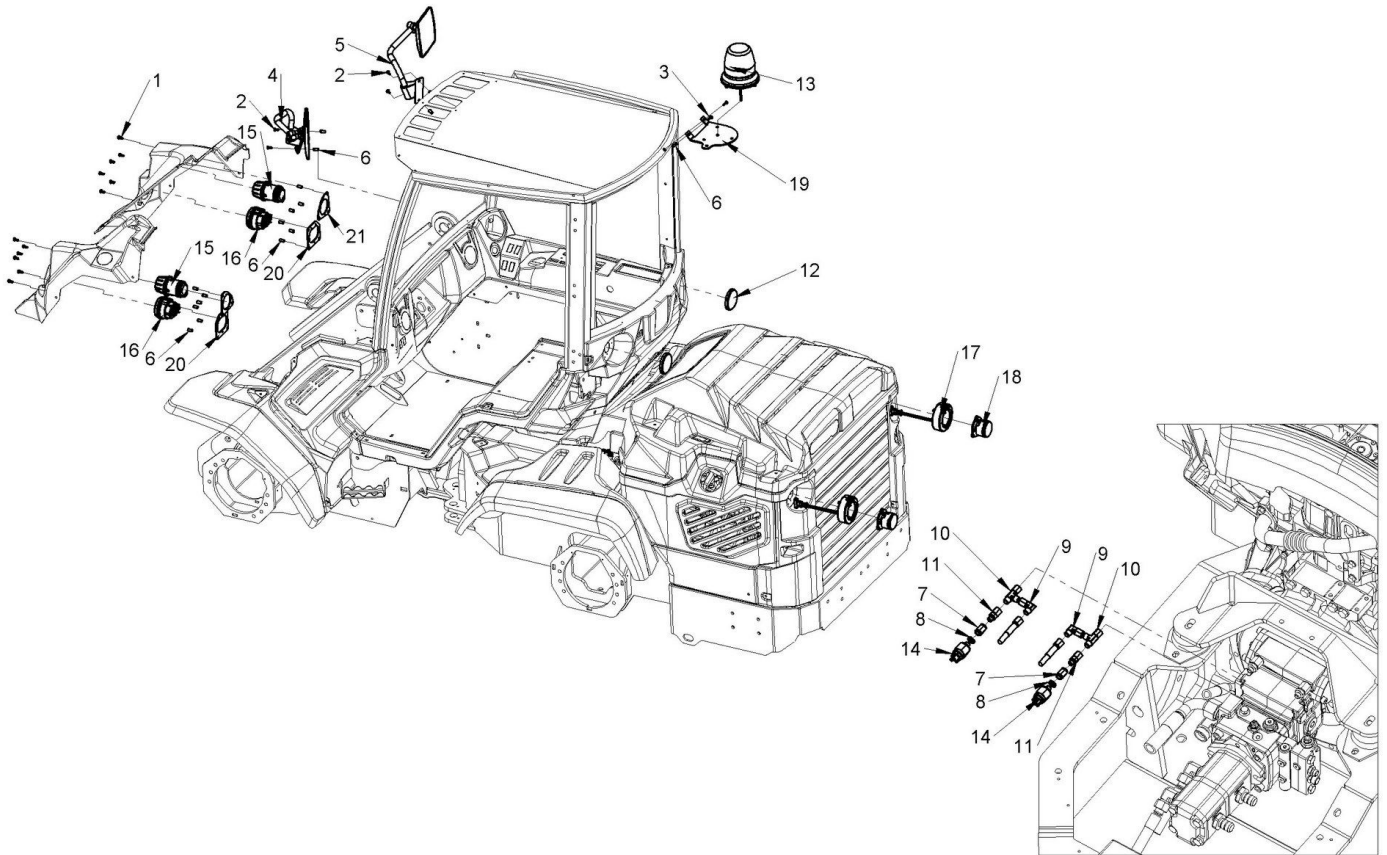
Component list [TAV. 22 10.8 ELECTRIC PARTS]

Pos.	Code	Description	Q.ty
1	C282578	M1 10.8 FUSE AND REL+ SUPPORT	1.00000
2	FF163/119247-77100	SAFETY RELAY 12 V	2.00000
3	FF180/0005.0061	IGNITION SWITCH for S500/S600/SL800/GT900	1.00000
4	FF180/30.45.09448	POWER RELAY 12V/70A	1.00000
5	FF180/30.45.52003	RELY 12 VOLT WITH DIODE INSIDE	2.00000
6	FF180/30.45.520004	{{>desc}}	4.00000
7	FF180/00105013	WARNING FLASH	1.00000
8	FF180/157108	RELE' CB1-12V	1.00000
9	FF180/01171028	RELE' 12V FOR JOYSTICK 11 FUNCTIONS	1.00000
10	FF180/08700058.00	LCD DECK BLU DIAL 5->10 SER. YANMAR	1.00000



Component list [TAV. 29 M1 10.8 FILTERS]

Pos.	Code	Description	Q.ty
1	C036639	HYDRAULIC FILTER CARTRIDGE M1 9-10	1.00000
2	C039029	WATER SEP CARTRIDGE	1.00000
3	C039044	FUEL FILTER FOR A700Y,SL35,SL835,SL840,GT(TNV) >2007,GT950,QTRAK1235,1240,1550	1.00000
4	C039045	ENGINE OIL FILTER FOR YANMAR 3TNV78-82-88,4TNV88-98	1.00000
5	C039079	7" AIR FILTER CARTRIDGE WITH SAFETY FILTER	1.00000



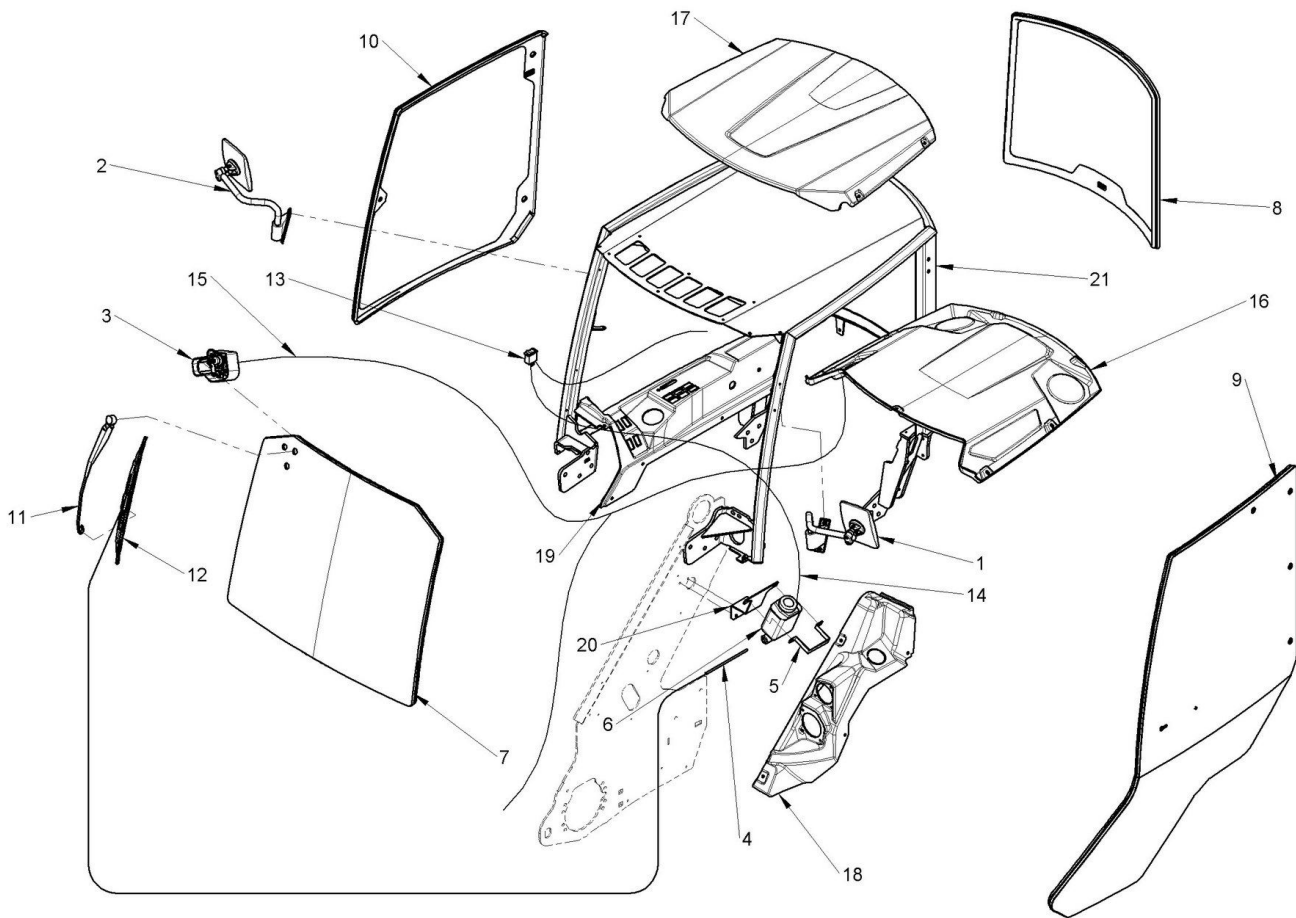
Component list [TAV. 30 M1 9-10 ROAD LIGHT]

Pos.	Code	Description	Q.ty
1	C020145	HEXAGON SOCKET OVAL HEAD SCREW M6x16 ISO 7380	12.00000
2	C020156	HEXAGON SOCKET COUNTERSUNK HEAD CAP SCREW M6x16 UNI 5933	4.00000
3	C020548	HEXAGON SOCKET OVAL HEAD SCREW M6x20 ZN UNI/ISO 7380	2.00000
4	C028021	LEFT REAR VIEW MIRROR FOR S600/SL800/GT900 CABIN	1.00000
5	C028022	RIGHT REAR VIEW MIRROR FOR S600/SL800/GT900 CABIN	1.00000
6	C028271	THREAD INSERT M6	18.00000
7	C030361	CONNECTOR F1/8 GAS F1/8 GAS	2.00000
8	C030549	BONDED WASHER 1/8" GAS	2.00000
9	C033027	ANGULAR ROTARY FITTING F6L-M6L	2.00000
10	C033033	T CONNECTION F-M-M 6L	2.00000
11	C033117	STANDPIPE ADAPTORS PACKING RING M1/8" - FG6L	2.00000
12	C034018	Ø80 RED RETRO REFLECTOR	2.00000
13	C034021	FLASHING LIGHT	1.00000
14	C036653	PRESSURE SWITCH 1/8GAS	2.00000
15	C044002	MK-MZ FRONT LIGHT	2.00000
16	C044003	MK-MZ TURNING LIGHT LED	2.00000



Draft and part list report
Serial n / code M331411 / C966000
Description MULTIONE 10.8

17	C044005	REAR LED LIGHT. STOP AND REAR LAMP	2.00000
18	C044006	REAR LED INDICATOR	2.00000
19	C282228	FLASHING AND REAR WORK LIGHT SUPPORT	1.00000
20	C282237	BRACKET FOR LIGHT	2.00000
21	C282238	BRACKET FOR HEADLAMP	2.00000



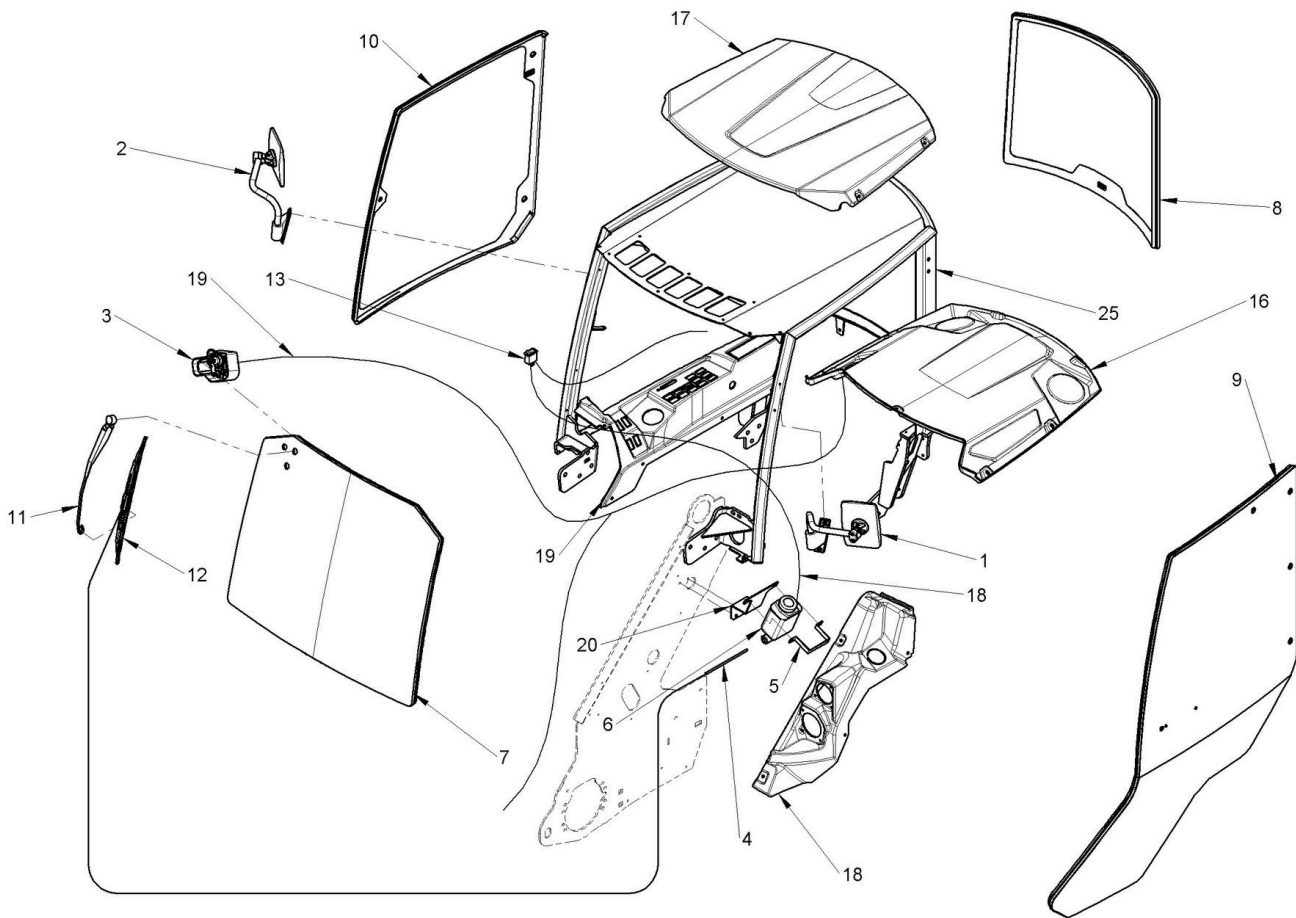
Component list [TAV. 31 M1 6-10 GLASS CABIN]

Pos.	Code	Description	Q.ty
1	C028021	LEFT REAR VIEW MIRROR FOR S600/SL800/GT900 CABIN	1.00000
2	C028022	RIGHT REAR VIEW MIRROR FOR S600/SL800/GT900 CABIN	1.00000
3	C034053	WINDSCREEN WIPER ENGINE ITG 12V 90° FOR CABIN	1.00000
4	C034082	GLASS WASHER PIPE TRANSPARENT 14X7	1.00000
5	C034090	COOLANT TANK BRACKET	1.00000
6	C034170	WIND SCREEN WASHER WATER TANK	1.00000
7	C034181	WINDSCREEN GLASS WITH SEAL M1 6->10	1.00000
8	C034182	REAR GLASS WITH SEAL M1 6->10	1.00000
9	C034183	DOOR GLASS WITH SEAL M1 6->10	1.00000
10	C034184	RIGHT SIDE GLASS WITH SEAL M1 6->10	1.00000
11	C034190	WIPER ARM FOR CABIN 5 -> 10	1.00000
12	C034191	WIPER BRUSH FOR CABIN 5 -> 10	1.00000
13	C036161	WINDSCREEN WASHER SWITCH	1.00000
14	C038031	WATER PUMP WIRING FOR WIPER M1	1.00000
15	C038093	WIPER WIRING	1.00000
16	C041423	UNDER ROOF COVER	1.00000



Draft and part list report
Serial n / code M331411 / C966000
Description MULTIONE 10.8

17	C041425	OVER ROOF COVER	1.00000
18	C041429	FRONT LEFT LIGHT SUPPORT	1.00000
19	C041436	RIGHT DASHBOARD	1.00000
20	C281601	PAN WIDESCREEN WASHER SUPPORT	1.00000
21	C282200	ROLL-BAR FRAME REV.16	1.00000



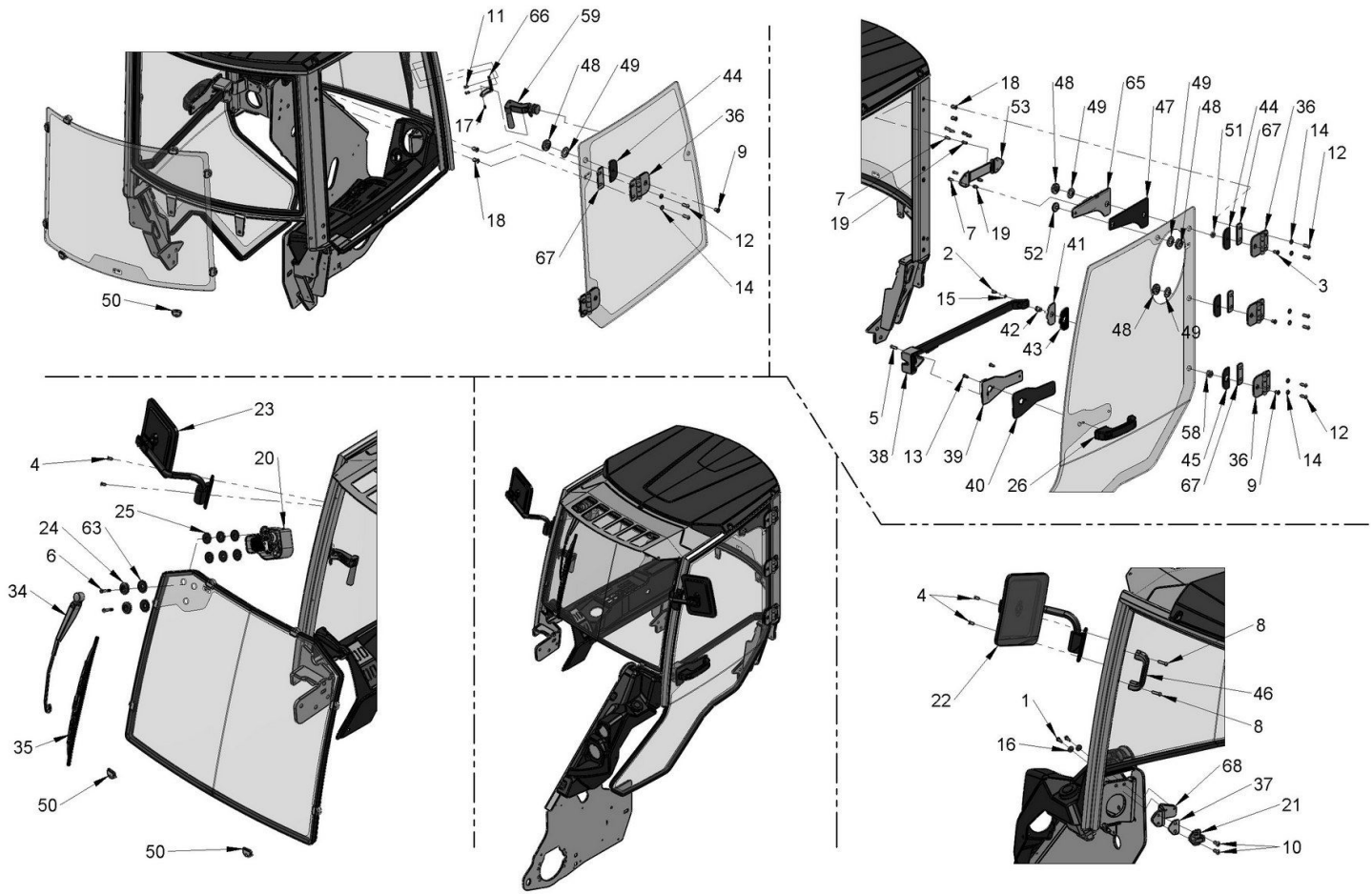
Component list [TAV. 31 M1 6-7-8 GLASS CABIN KIT (OPTIONAL)]

Pos.	Code	Description	Q.ty
1	C028021	LEFT REAR VIEW MIRROR FOR S600/SL800/GT900 CABIN	1.00000
2	C028022	RIGHT REAR VIEW MIRROR FOR S600/SL800/GT900 CABIN	1.00000
3	C034053	WINDSCREEN WIPER ENGINE ITG 12V 90 ¹ FOR CABIN	1.00000
4	C034082	GLASS WASHER PIPE TRANSPARENT 14X7	1.00000
5	C034090	COOLANT TANK BRACKET	1.00000
6	C034170	WIND SCREEN WASHER WATER TANK	1.00000
7	C034181	WINDSCREEN GLASS WITH SEAL M1 6->10	1.00000
8	C034182	REAR GLASS WITH SEAL M1 6->10	1.00000
9	C034183	DOOR GLASS WITH SEAL M1 6->10	1.00000
10	C034184	RIGHT SIDE GLASS WITH SEAL M1 6->10	1.00000
11	C034190	WIPER ARM FOR CABIN 5 -> 10	1.00000
12	C034191	WIPER BRUSH FOR CABIN 5 -> 10	1.00000
13	C036161	WINDSCREEN WASHER SWITCH	1.00000
14	C038031	WATER PUMP WIRING FOR WIPER M1	1.00000
15	C038093	WIPER WIRING	1.00000
16	C041423	UNDER ROOF COVER	1.00000



Draft and part list report
Serial n / code M331411 / C966000
Description MULTIONE 10.8

17	C041425	OVER ROOF COVER	1.00000
18	C041429	FRONT LEFT LIGHT SUPPORT	1.00000
19	C041436	RIGHT DASHBOARD	1.00000
20	C281601	PAN WIDESCREEN WASHER SUPPORT	1.00000
21	C282200	ROLL-BAR FRAME REV.16	1.00000



Component list [TAV. 32 M1 6-7-8 GLASS CABIN DETAILS (OPTIONAL)]

Pos.	Code	Description	Q.ty
1	C020051	ISO 4017 M6x20 SCREW	2.00000
2	C020145	HEXAGON SOCKET OVAL HEAD SCREW M6x16 ISO 7380	12.00000
3	C020155	M8X20 SCREW UNI5933	1.00000
4	C020156	HEXAGON SOCKET COUNTERSUNK HEAD CAP SCREW M6x16 UNI 5933	4.00000
5	C020167	HEXAGON SOCKET COUNTERSUNK HEAD CAP SCREW 10.9 M6x30 ZN UNI5933	1.00000
6	C020168	SCREW TSPEI 10.9 M6x40 ZN UNI5933	2.00000
7	C020187	SCREW TSPEI 10.9 M6x20 UNI5933 ZN	5.00000
8	C020212	HEXAGON SOCKET HEAD CAP SCREW M6X25 ZB UNI EN ISO 4762	2.00000
9	C020295	SCREW TSP 10.9 M8X16	4.00000
10	C020541	HEXAGON SOCKET OVAL HEAD SCREW M8x20 ISO 7380	2.00000
11	C020542	HEXAGON SOCKET OVAL HEAD SCREW M6x12 ZN ISO 7380	2.00000
12	C020543	HEXAGON SOCKET OVAL HEAD SCREW M8x25 ISO 7380	10.00000
13	C020548	HEXAGON SOCKET OVAL HEAD SCREW M6x20 ZN UNI/ISO 7380	2.00000
14	C023041	NORD LOCK WASHER M8	10.00000
15	C023090	FLAT WASHER M6 6.4x12x1.6 UNI 6592	1.00000
16	C023110	PLAIN WASHER LARGE SERIES M6 6.5X18X1.5 DIN9021	13.00000



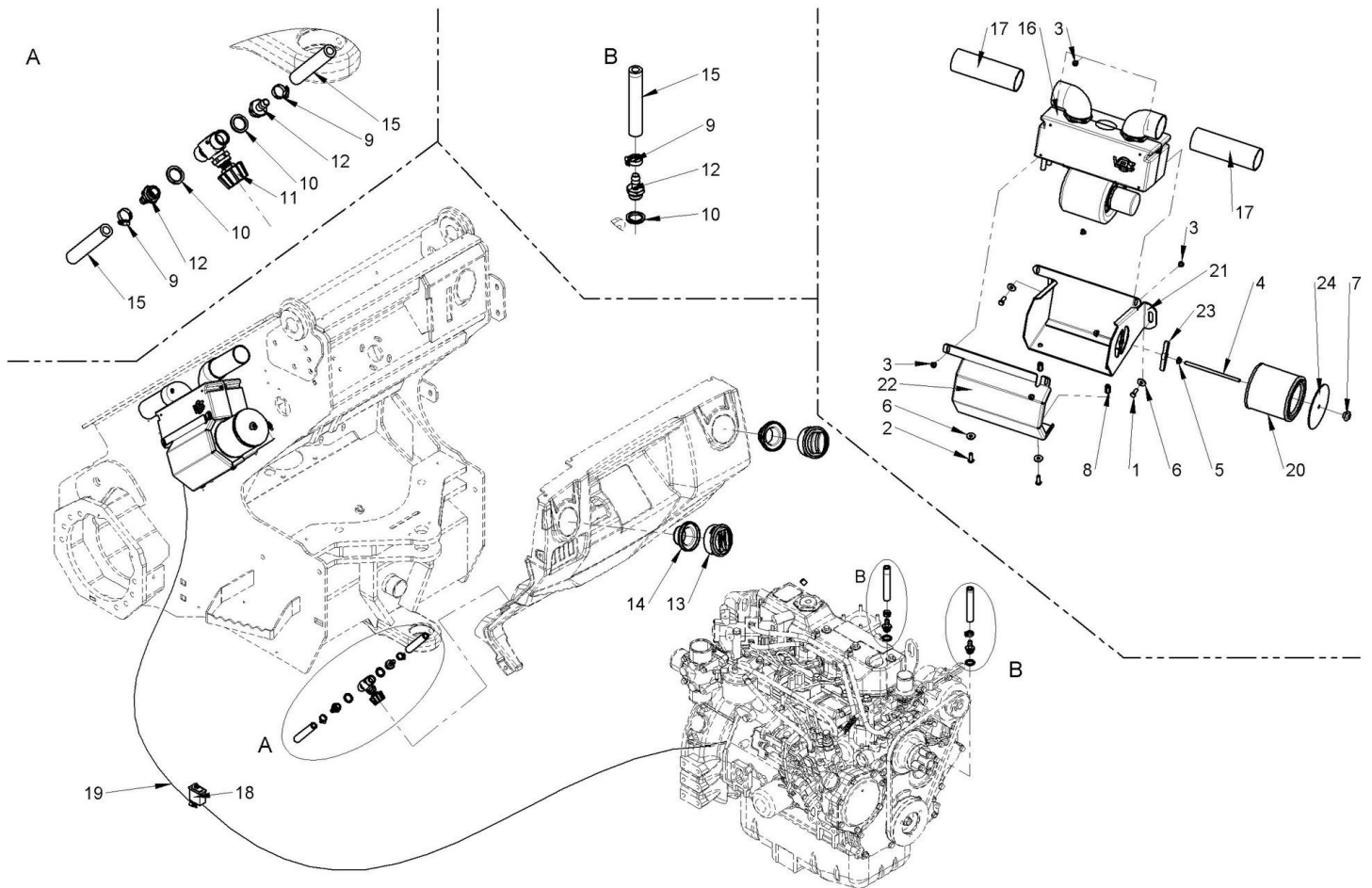
Draft and part list report
Serial n / code M331411 / C966000
Description MULTIONE 10.8

17	C028266	SPRING PIN 5X16	1.00000
18	C028270	THREAD INSERT M8	10.00000
19	C028271	THREAD INSERT M6	17.00000
20	C034053	WINDSCREEN WIPER ENGINE ITG 12V 90° FOR CABIN	1.00000
21	C034023	CABIN DOOR HOLD LATCH	1.00000
22	C028021	LEFT REAR VIEW MIRROR FOR S600/SL800/GT900 CABIN	1.00000
23	C028022	RIGHT REAR VIEW MIRROR FOR S600/SL800/GT900 CABIN	1.00000
24	C034070	PLASTIC STUD FOR GLASS CABIN	2.00000
25	C034072	RUBBER WASHER FOR GLASS CABIN	6.00000
26	C034078	DOOR OUTER LOCK FOR	1.00000
27	C034082	GLASS WASHER PIPE TRANSPARENT 14X7	1.00000
28	C034090	COOLANT TANK BRACKET	1.00000
29	C034170	WIND SCREEN WASHER WATER TANK	1.00000
30	C034181	WINDSCREEN GLASS WITH SEAL M1 6->10	1.00000
31	C034182	REAR GLASS WITH SEAL M1 6->10	1.00000
32	C034183	DOOR GLASS WITH SEAL M1 6->10	1.00000
33	C034184	RIGHT SIDE GLASS WITH SEAL M1 6->10	1.00000
34	C034190	WIPER ARM FOR CABIN 5 -> 10	1.00000
35	C034191	WIPER BRUSH FOR CABIN 5 -> 10	1.00000
36	C034500	METAL HINGE	5.00000
37	C034501	UNDER HOLD LATCH PLASTIC	1.00000
38	C034502	LOCK BAR SHAPE	1.00000
39	C034503	LOCK HOLDER PLATE	1.00000
40	C034504	INNER DOOR HANDLE SEAL	1.00000
41	C034505	SHAPE BAR LOCK HOLDER PLATE	1.00000
42	C034506	KNURLED BUSH	1.00000
43	C034507	REAR BAR RUBBER	1.00000
44	C034508	SMALL HOLE HINGE RUBBER	4.00000
45	C034509	BIG HOLE HINGE RUBBER	1.00000
46	C034510	GRAB HANDLE	1.00000
47	C034515	GAS SPRING HOLDER SEAL	1.00000
48	C034516	INNER STUD CABIN	5.00000
49	C034517	Ø40-Ø20-1,5 SEAL	5.00000
50	C274258	GLASS HOLDER FOR CABIN	16.00000
51	C034519	Ø20-Ø8-6 SPACER	1.00000
52	C034522	STUD WITH M8X13 PIN	1.00000
53	C034523	{{>desc}}	1.00000
54	C035015	SNAP SEAL FOR WINDOWS	1.00000
55	C035015	SNAP SEAL FOR WINDOWS	1.00000
56	C035015	SNAP SEAL FOR WINDOWS	1.00000
57	C035015	SNAP SEAL FOR WINDOWS	1.00000
58	C035038	RUBBER TOP FOR CABIN GLASSES	1.00000
59	C035041	JERKY COMPASS OPENING FOR CABIN	1.00000
60	C036161	WINDSCREEN WASHER SWITCH	1.00000
61	C041423	UNDER ROOF COVER	1.00000
62	C041425	OVER ROOF COVER	1.00000



Draft and part list report
Serial n / code M331411 / C966000
Description MULTIONE 10.8

63	C274255	GLASS SEAL FOR CABIN	2.00000
64	C281601	PAN WIDESCREEN WASHER SUPPORT	1.00000
65	C282309	DOOR BELT FIXING	1.00000
66	C282324	JERKY COMPASS BRACKET	1.00000
67	C282369	HINGE SPACER FOR CABIN M1 6 -> 10	5.00000
68	C282396	{{>desc}}	1.00000



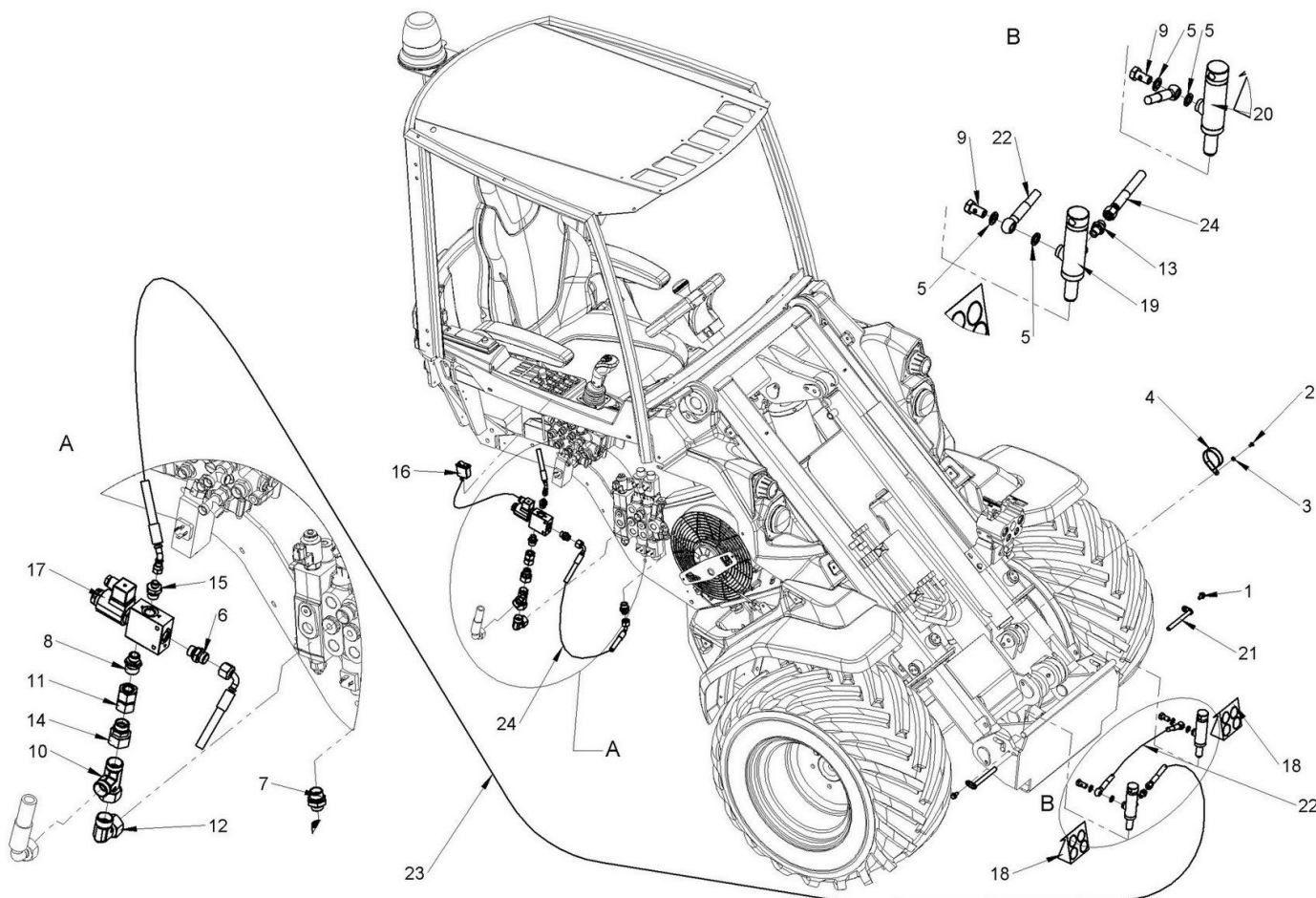
Component list [TAV. 33 M1 10.8 HEATHING]

Pos.	Code	Description	Q.ty
1	C020050	HEXAGON HEAD PIPE PLUG M6X16 UNI 5739	2.00000
2	C020548	HEXAGON SOCKET OVAL HEAD SCREW M6x20 ZN UNI/ISO 7380	2.00000
3	C020554	SELF THREADER SCREW 4.8X13	6.00000
4	C020651	THREADED RODS M6 L=130	1.00000
5	C021018	NUT E 6S M6 SERPRESS	2.00000
6	C023110	PLAIN WASHER LARGE SERIES M6 6.5X18X1.5 DIN9021	4.00000
7	C028028	THREE-LOBED HANDWHEEL M6 PASS-THROUGH	1.00000
8	C028281	THREAD INSERT M6	2.00000
9	C029038	STEEL BAND 10-16	4.00000
10	C030547	BONDED WASHER 3/8" GAS	4.00000
11	C034005	METAL FAUCET FOR CAB HEATING	1.00000
12	C034006	STRAIGHT FITTING DIA. 10 MM - 3/8"	4.00000
13	C034008	76 mm AIR PORT	2.00000
14	C034009	AIR PORT REDUCTION 82->76/45 mm	2.00000
15	C035034	HOT WATER RUBBER HOSE 10X17	4.00000
16	C035149	HEATHER MULTIONE M1 5->10, 6SD->9SD	1.00000



Draft and part list report
Serial n / code M331411 / C966000
Description MULTIONE 10.8

17	C035160	HOT AIR HOSE Ø45	2.00000
18	C036160	SWITCH FAN	1.00000
19	C038090	ADDITIONAL WIRING HEATING	1.00000
20	C039170	HEATING CARTRIDGE FILTER	1.00000
21	C282343	HEATHER BOX	1.00000
22	C282346	BOX HEATER CAP	1.00000
23	C282347	HEATER AIR FILTER CENTERING	1.00000
24	C282348	AIR HEATER FILTER CAP	1.00000



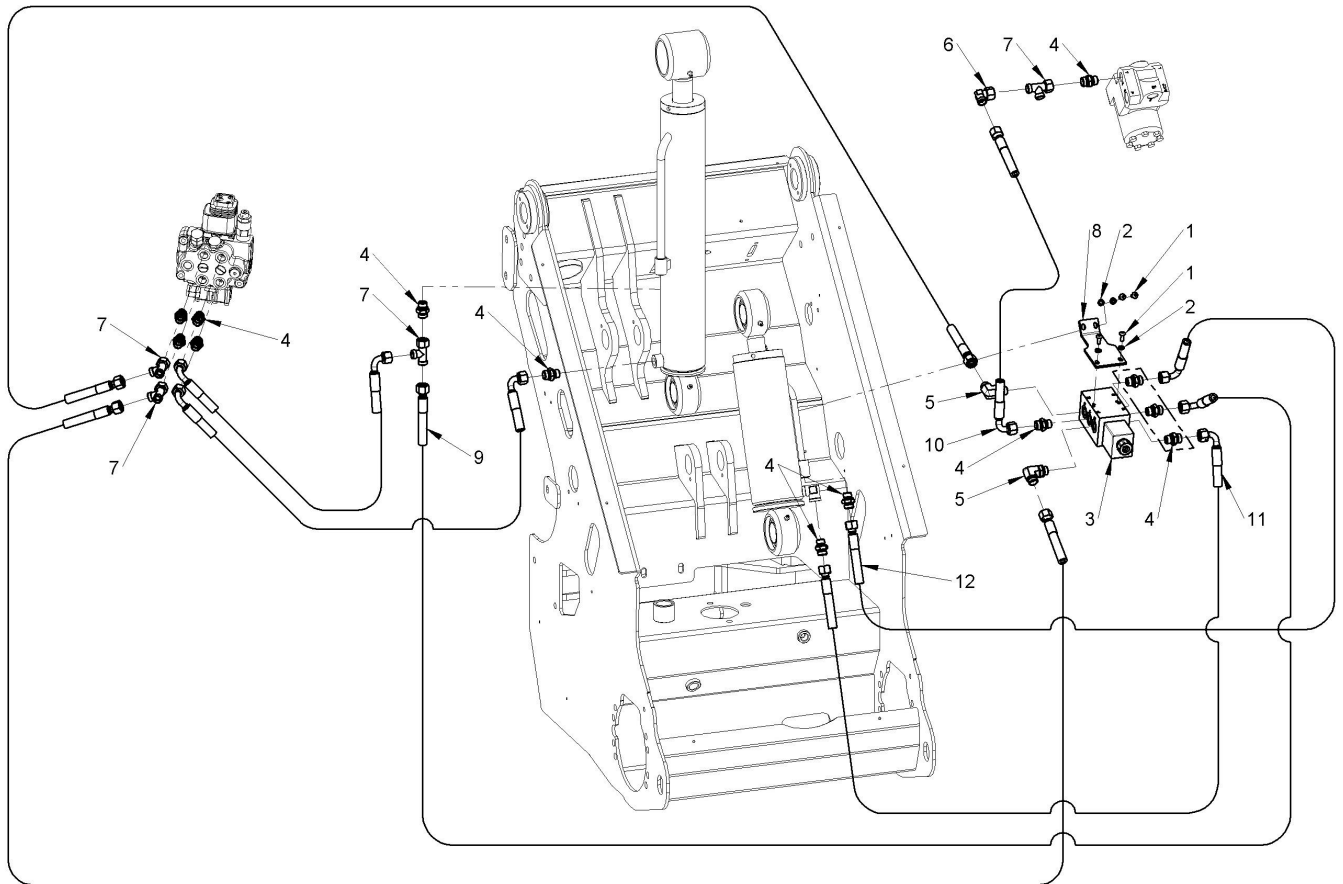
Component list [TAV. 34 M1 9-10 AUTOMATIC COUPLING PLATE]

Pos.	Code	Description	Q.ty
1	C019201	HEXAGON FLANGE BOLT M8x16 DIN 6921	2.00000
2	C020542	HEXAGON SOCKET OVAL HEAD SCREW M6x12 ZN ISO 7380	1.00000
3	C023090	FLAT WASHER M6 6.4x12x1.6 UNI 6592	1.00000
4	C029033	HOSE CLAMP WITH RUBBER Ø30	1.00000
5	C030548	BONDED WASHER 1/4" GAS	4.00000
6	C033001	NIPPLES 3/8" G / 12L	1.00000
7	C033002	NIPPLES 1/2" G / 12L	1.00000
8	C033010	3/8" -15L MALE JOINT	1.00000
9	C033015	PERFORED BOLT 1/4"	2.00000
10	C033084	TEES F-M-M 18L	1.00000
11	C033116	STRAIGHT JOINT FG15L - FG15L	1.00000
12	C033132	JOINT 90° FG90L / M18L	1.00000
13	C033134	NIPPLES 1/4GAS-8L	1.00000
14	C033161	F 18L - M 15L ADAPTOR	1.00000
15	C033173	{{>desc}}	1.00000
16	C036167	AUTOMATIC LOCKING COUPLING PLATE SWITCH	1.00000



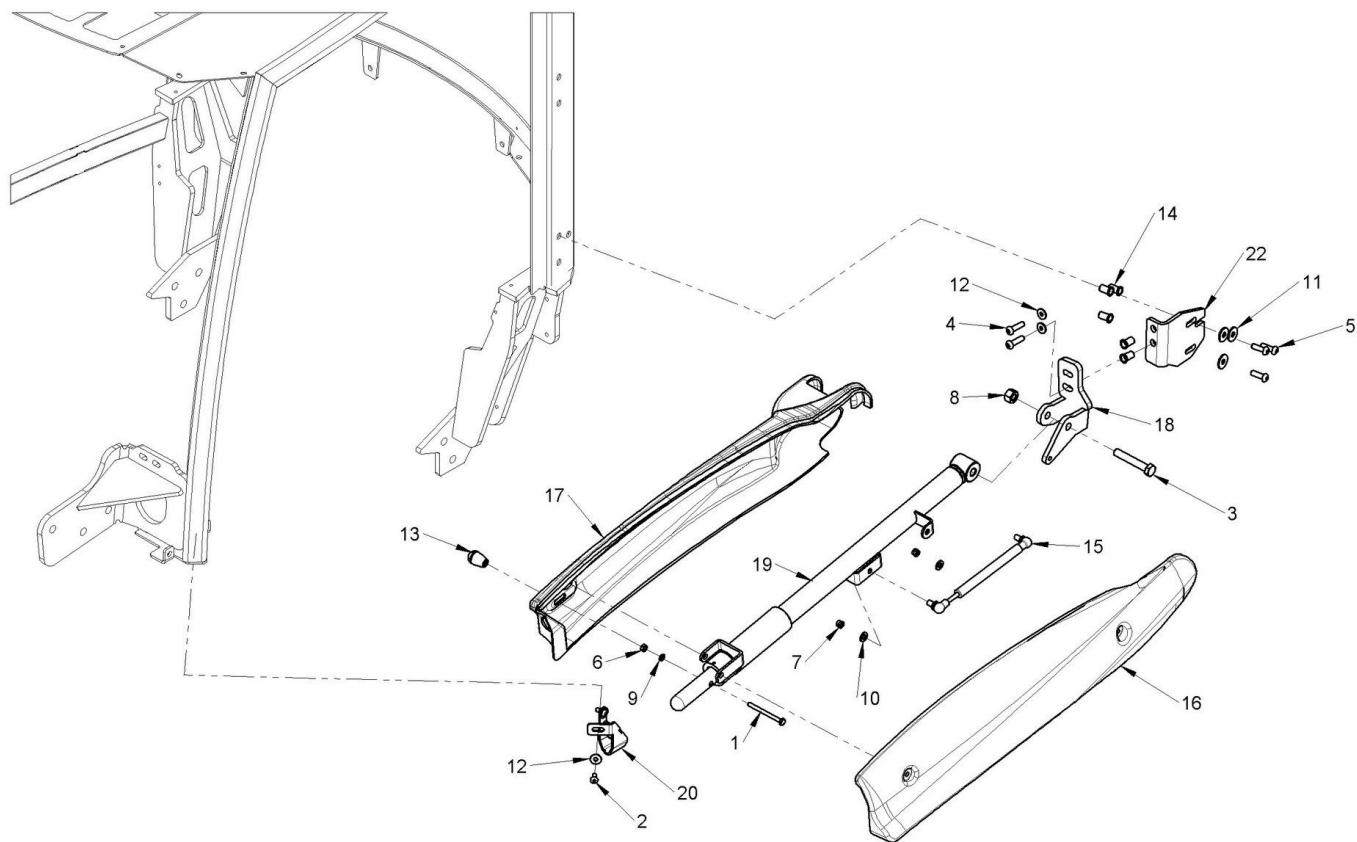
Draft and part list report
Serial n / code M331411 / C966000
Description MULTIONE 10.8

17	C036621	ELECTROVALVE 3WAY G3/8 12V DC	1.00000
18	C036811	SEAL KIT FOR CYLINDER C272286-C272287	2.00000
19	C272286	RIGHT LOCKING CYLINDER > 2010	1.00000
20	C272287	LEFT LOCKING CYLINDER > 2010	1.00000
21	C272288	Ø12x118 PIN	2.00000
22	C810258/4	TUBO 1/4, L=400, OCCHIO 1/4-OCCHIO 1/4, ORIENT. 0 HOSE 1/4, L=400, BANJO 1/4- BANJO 1/4, ORIENT. 0	1.00000
23	C810379/1	TUBO 1/4, L=3800, F45 8L-FD 8LHOSE 1/4, L=3800, F45 8L-FD 8L	1.00000
24	C810379/2	TUBO 1/4, L=400, F90 12L-F90 12LHOSE 1/4, L=400, F90 12L-F90 12L	1.00000



Component list [TAV. 35 M1 6-10 FLOATING BOOM]

Pos.	Code	Description	Q.ty
1	C020145	HEXAGON SOCKET OVAL HEAD SCREW M6x16 ISO 7380	4.00000
2	C023090	FLAT WASHER M6 6.4x12x1.6 UNI 6592	4.00000
3	C030580	BOOM FLOAT VALVE FOR SELF LEVELING	1.00000
4	C033001	NIPPLES 3/8" G / 12L	13.00000
5	C033021	REVOLVING CONNECTION AT 90° 3/8" ORIENT./12L	2.00000
6	C033024	ELBOW FITTING F12L ORIENT. /M12L	1.00000
7	C033032	T-CONNECTION F-M-M 12L	4.00000
8	C281602	FLOATING BOOM VALVE SUPPORT	1.00000
9	C810378_1	TUBO 3/8, L=1510, F90 12L, F90 12L, ORIENT. 120 HOSE 3/8, L=1510, F90 12L, F90 12L, ORIENT. 120	1.00000
10	C810378_2	TUBO 3/8, L=510, F90 12L, FD 12L HOSE 3/8, L=510, F90 12L, FD 12L	1.00000
11	C810378_3	TUBO 3/8, L=420, F90 12L, FD 12L HOSE 3/8, L=420, F90 12L, FD 12L	1.00000
12	C810378_4	TUBO 3/8, L=420, F90 12L, F45 12L, ORIENT. 180 HOSE 3/8, L=420, F90 12L, F45 12L, ORIENT. 180	1.00000



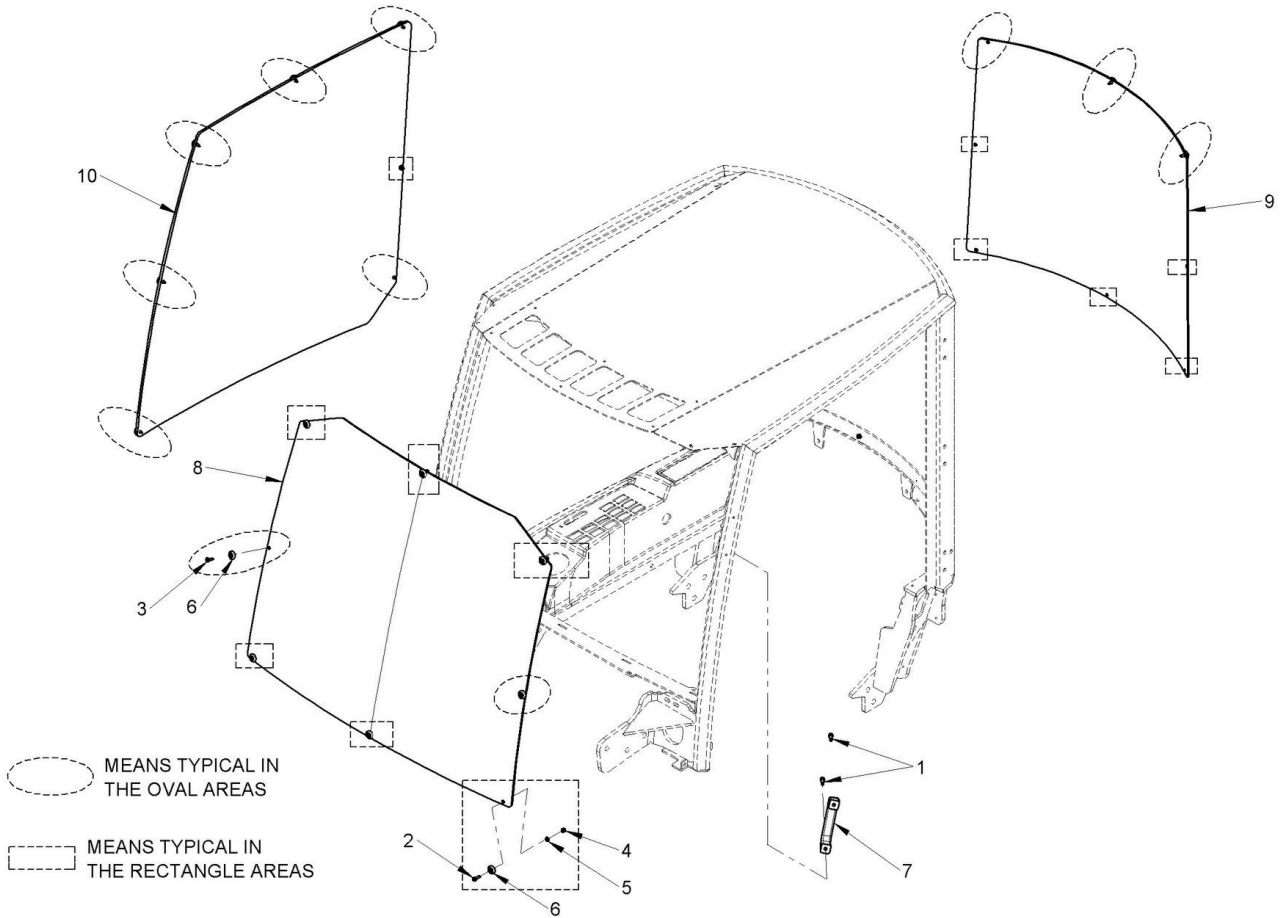
Component list [TAV. 36 SECURITY ARM]

Pos.	Code	Description	Q.ty
1	C020059	{{>desc}}	1.00000
2	C020145	HEXAGON SOCKET OVAL HEAD SCREW M6x16 ISO 7380	2.00000
3	C020352	M12x70 UNI ISO 4017 SCREW	1.00000
4	C020544	SCREW TBEI M8x30 ZN UNI/ISO 7380	2.00000
5	C020545	M8x35 ISO 7380 SCREW	3.00000
6	C021022	HEXAGON NUT M6 UNI 5588	1.00000
7	C021104	PREVAILING TORQUE-TYPE HEXAGONAL NUTS WITH POLYAMIDE RING M6 UNI 7473	2.00000
8	C021504	SELF BRAKING NUT M12 DIN 980	1.00000
9	C023040	M6 NORD LOCK WASHER	1.00000
10	C023071	PLAIN WASHER M8 8.4x16x1.6 UNI6592	2.00000
11	C023100	PLAIN WASHER LARGE SERIES M8 DIN 9021	3.00000
12	C023110	PLAIN WASHER LARGE SERIES M6 6.5X18X1.5 DIN9021	4.00000
13	C028025	CONICAL BALL KNOBS WITH M6 NUT	1.00000
14	C028270	THREAD INSERT M8	5.00000
15	C029509	AIR COMPRESSED SPRING 150N 120 mm	1.00000
16	C041174	EXTERNAL HOOD FOR SAFETY PROTECTION FOR SL800 BLUE	1.00000



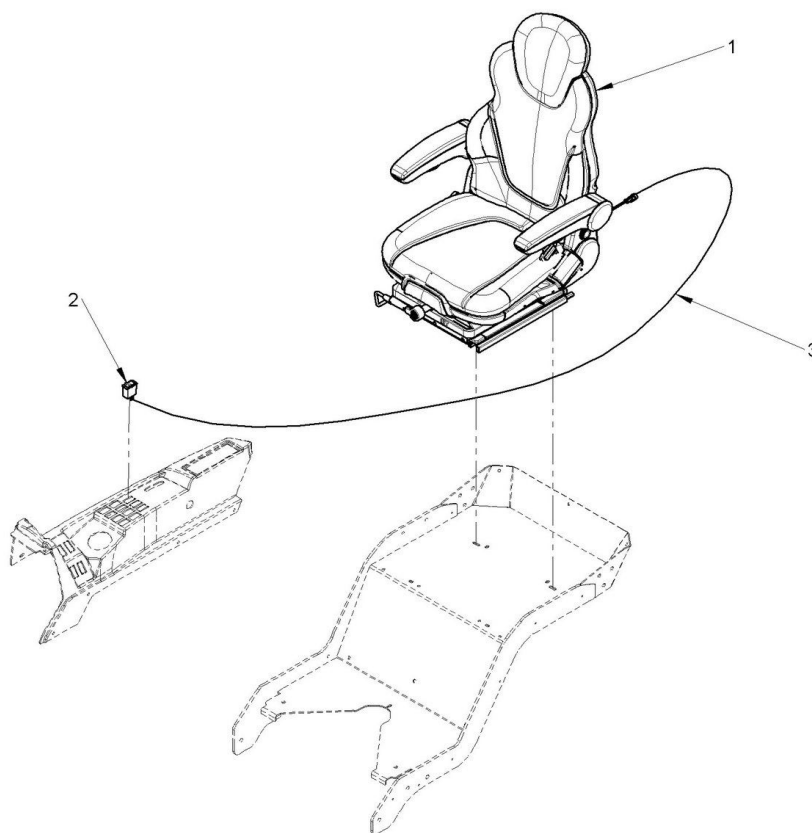
Draft and part list report
Serial n / code M331411 / C966000
Description MULTIONE 10.8

17	C041175	INTERNAL HOOD FOR SAFETY PROTECTION FOR SL800 GRAY	1.00000
18	C274281	SECURITY ARM HINGE	1.00000
19	C279408	SECURITY ARM CENTRAL BODY	1.00000
20	C279409	LATCH SECURITY ARM	1.00000
21	C282200	ROLL-BAR FRAME REV.16	1.00000
22	C282242	SECURITY ARM SUPPORT	1.00000



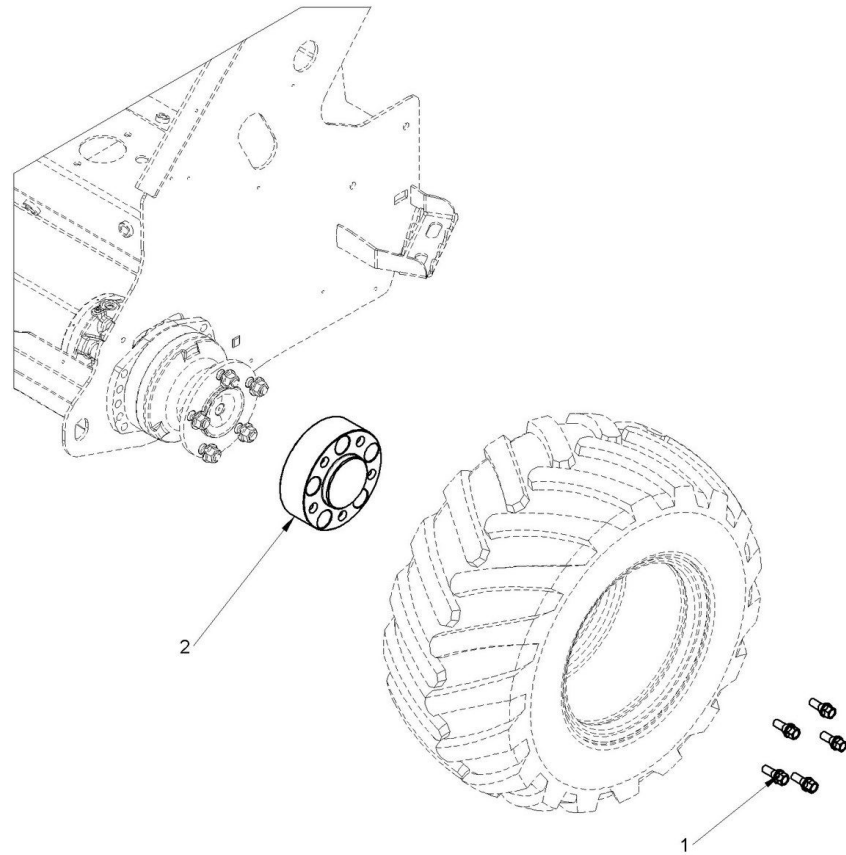
Component list [TAV. 39 PLEXYGLAS SMART CABIN]

Pos.	Code	Description	Q.ty
1	C020212	HEXAGON SOCKET HEAD CAP SCREW M6X25 ZB UNI EN ISO 4762	2.00000
2	C020287	RECESSED RAISED CHEESE HEAD SCREW M5x20 UNI 7687 DIN 7985	12.00000
3	C020300	VITE AUTOFILETTANTE TC 4.8X19 DIN 7981 UNI 6954	11.00000
4	C021102	PREVAILING TORQUE - TYPE HEXAGON NUT WITH POLYAMIDE RING M5 DIN 982	12.00000
5	C023072	FLAT WASHER X M5 5.3x10x1	12.00000
6	C023300	CONIC WASHER M6	23.00000
7	C034510	GRAB HANDLE	1.00000
8	C041500	PLEXIGLASS WINDSCREEN	1.00000
9	C041501	PLEXIGLASS REAR WINDOW	1.00000
10	C041502	RIGHT SIDE PLEXIGLASS	1.00000



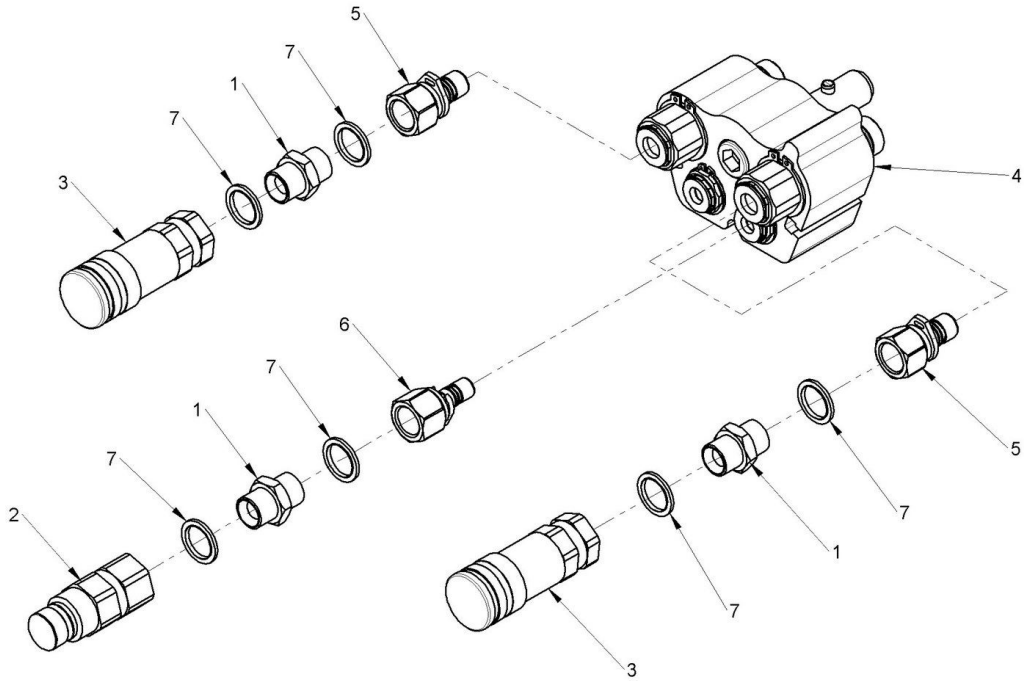
Component list [TAV. 41 LUXURY HEATED SEAT]

Pos.	Code	Description	Q.ty
1	C036772	LUXURY HEATED SEAT FOR MULTIONE WITH SUSPENSION	1.00000
2	C036163	HEATED SEAT SWITCH	1.00000
3	C038091	SEAT HEATING WIRING	1.00000



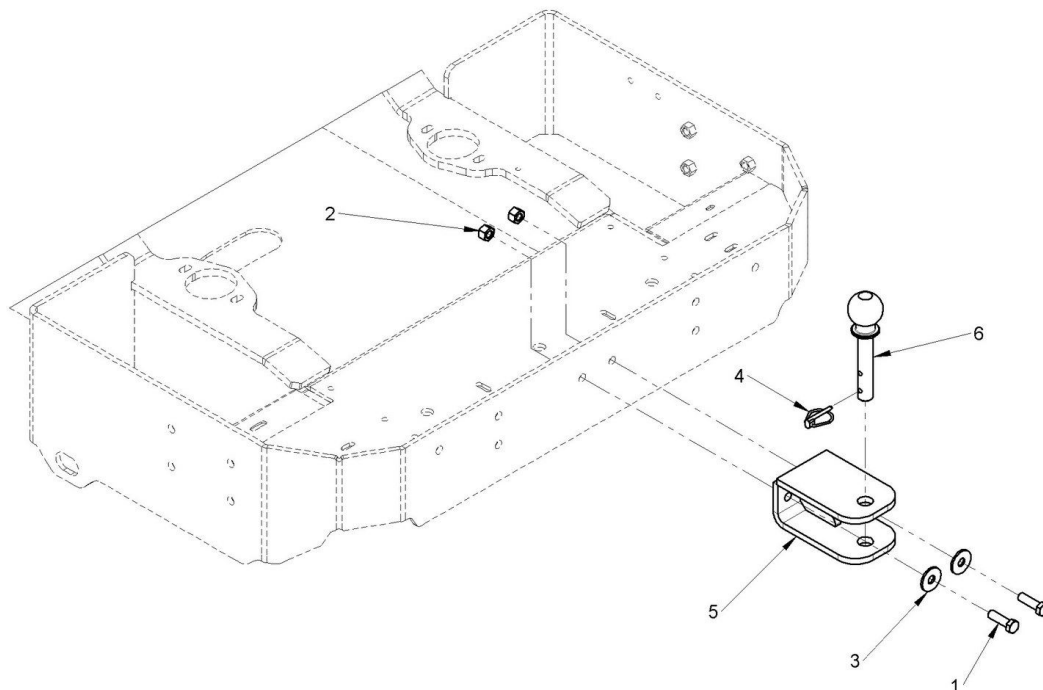
Component list [TAV. 44 55 mm WHEEL SPACER]

Pos.	Code	Description	Q.ty
1	C020502	WHEEL SCREW M12X1.5X21 60°	20.00000
2	C272098	55 mm WHEEL SPACER	4.00000



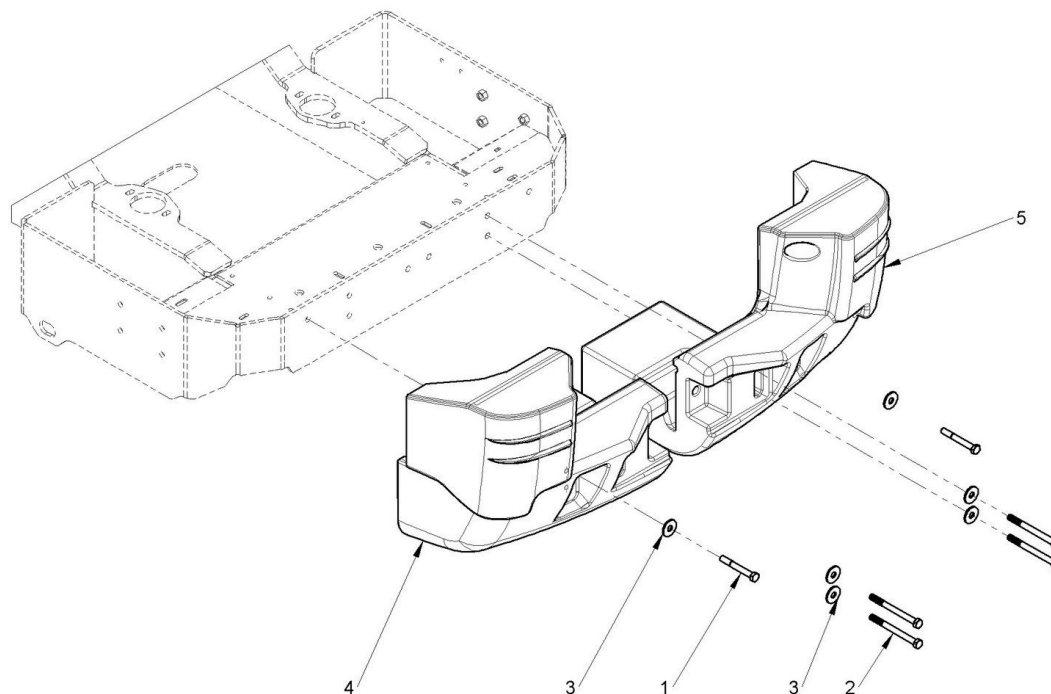
Component list [TAV. 45 MULTICONNECTOR COUPLING TO QUICK COUPLING KIT ADAPTOR]

Pos.	Code	Description	Q.ty
1	C030376	NIPPLES M 1/2" M 1/2"	3.00000
2	C030456	FLAT FACE QUICK COUPLER MALE 1/2"	1.00000
3	C030457	FLAT FACE COUPLING FEMALE 1/2"	2.00000
4	C030481	HYDRAULIC MULTICONNECTOR PLATE, ATTACHMENTS 3 WAY	1.00000
5	C030488	WEO 1/2" - F 1/2" GAS ADAPTOR	2.00000
6	C030489	WEO 3/8" - F 1/2" GAS ADAPTOR	1.00000
7	C030542	BONDED WASHER 1/2" GAS	6.00000



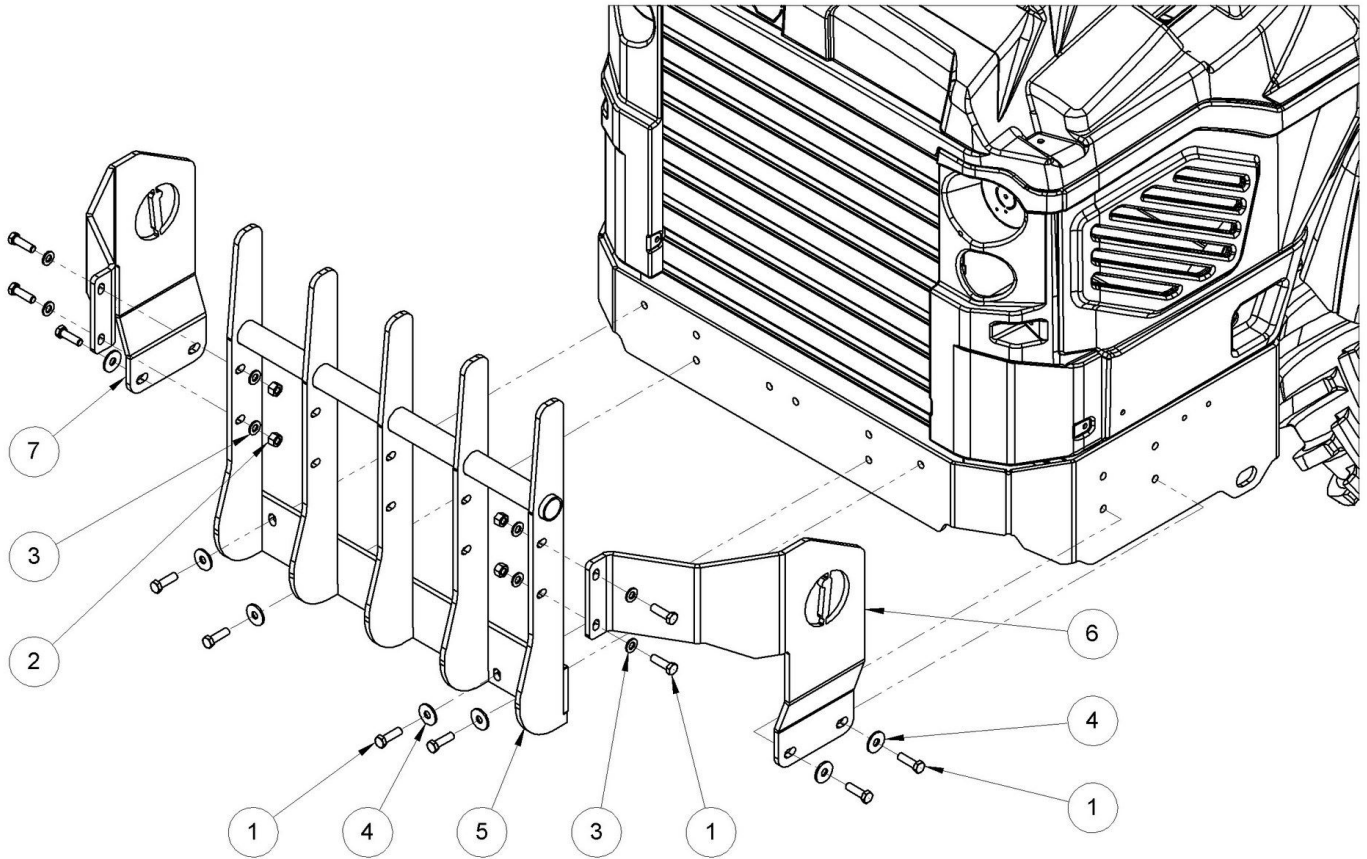
Component list [TAV. 46 TOW HOOK]

Pos.	Code	Description	Q.ty
1	C020139	HEXAGON HEAD SCREW M12x40 UNI 4017	2.00000
2	C021504	SELF BRAKING NUT M12 DIN 980	2.00000
3	C023105	WASHER FOR M12 13x37x3 DIN9021 UNI6593	2.00000
4	C028200	LOCK PIN 5 MM	1.00000
5	C277160	M1 2-9-10-9SD-GT900 TRAILER HOOK	1.00000
6	C802049	TOW HOOK PIN	1.00000



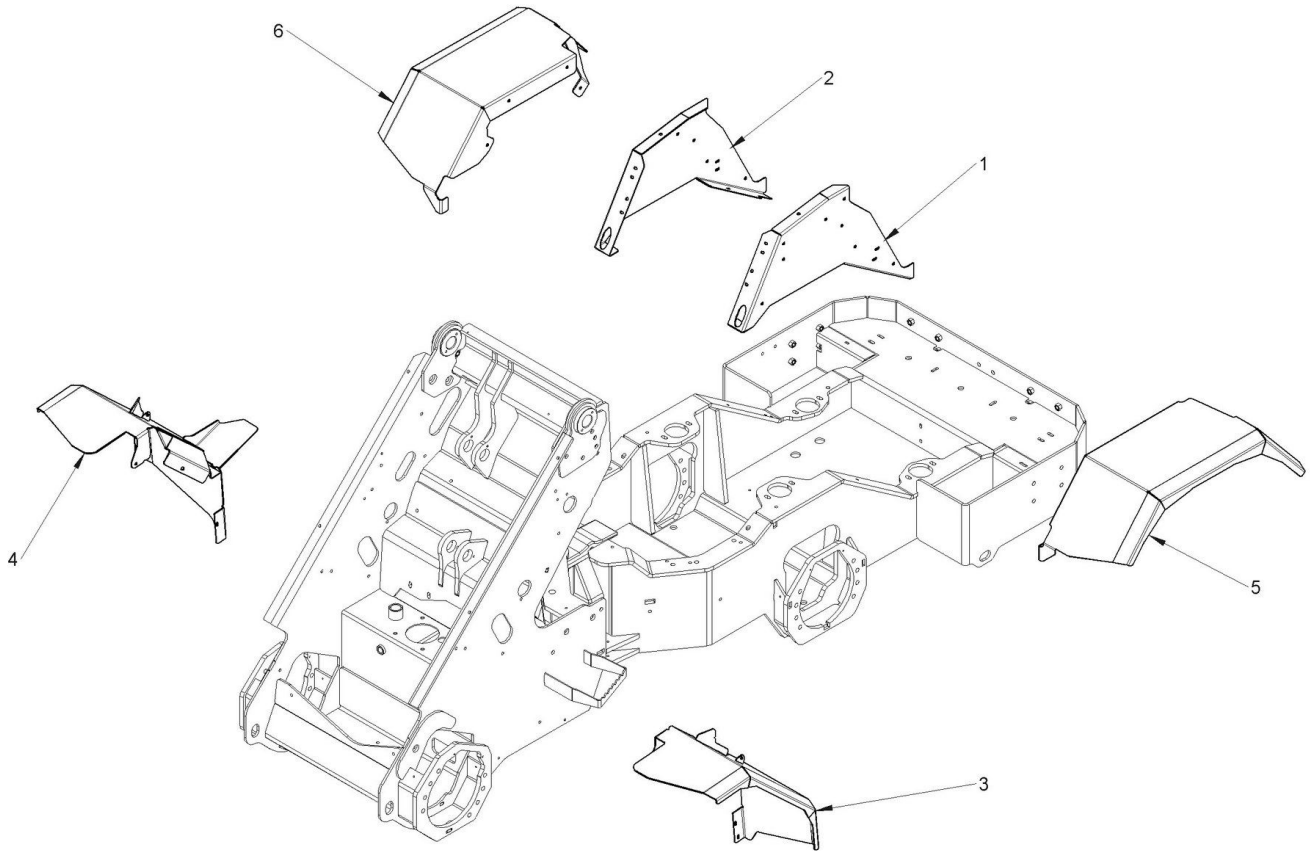
Component list [TAV. 47 220+220 KG BACKWEIGHT]

Pos.	Code	Description	Q.ty
1	C020128	SCREW 8.8 M12X90	2.00000
2	C020157	M12x130 UNI 5737 SCREW	4.00000
3	C023105	WASHER FOR M12 13x37x3 DIN9021 UNI6593	6.00000
4	C277215	220 KG LEFT BACKWEIGHT FOR GT900	1.00000
5	C277216	220 KG RIGHT BACKWEIGHT FOR GT900	1.00000



Component list [TAV. 49 M1 9-10-9SD REAR BUMPER]

Pos.	Code	Description	Q.ty
1	C020139	HEXAGON HEAD SCREW M12x40 UNI 4017	12.00000
2	C021504	SELF BRAKING NUT M12 DIN 980	4.00000
3	C023102	PLAIN WASHER M12 UNI 6592	8.00000
4	C023105	WASHER FOR M12 13x37x3 DIN9021 UNI6593	8.00000
5	C282761	REAR BULLBAR M1 9-10	1.00000
6	C284464	{{>desc}}	1.00000
7	C284465	{{>desc}}	1.00000



Component list [TAV. 54 STEEL MUD GUARD]

Pos.	Code	Description	Q.ty
1	C282550	REAR LEFT MUDGUARD SUPPORT	1.00000
2	C282551	REAR RIGHT MUDGUARD SUPPORT	1.00000
3	C285241	FRONT LEFT MUD GUARD 9-10	1.00000
4	C285242	FRONT RIGHT MUD GUARD 9-10	1.00000
5	C285245	REAR LEFT MUD GUARD 9-10	1.00000
6	C285246	REAR RIGHT MUD GUARD 9-10	1.00000

PER STRUMENTO ANALOGICO
 FOR ANALOG DECK



1

PER STRUMENTO LCD
 FOR LCD DECK



2

ALLARME SONORO
 BUZZER ALLARM



3

Component list [TAV. 57 WATER TEMP SENSOR]

Pos.	Code	Description	Q.ty
1	FF180/U2M02A003	WATER TEMPERATURE SENSOR, ANALOG DECK	1.00000
2	FF180/U2M02A011	WATER TEMPERATURE SENSOR, LCD DECK	1.00000
3	FF163/121250-44901	WATER TEMPERATURE SENSOR - BUZZER ALARM	1.00000

CI SONO TRE TIPI DI JOYSTICK, 1 CON CONNETTORE TONDO, 2 CON CONNETTORE RETTANGOLARE "DEUTSCH".
 VERIFICATE QUAL'È PRESENTE SULLA VOSTRA MACCHINA, E RIFERITEVI A QUESTA TAVOLA PER ORDINARE IL PEZZO DI RICAMBIO CORRETTO

THERE ARE 3 TYPES OF JOYSTICK, 1 WITH A ROUND CONNECTOR AND 2 WITH A "DEUTSCH" RECTANGULAR CONNECTOR.
 VERIFY WHICH ONE IS INSTALLED ON YOUR MACHINE, AND REFER TO THIS DRAWING TO ORDER THE CORRECT SPARE PART.

CONNETTORE TONDO
 MONTATO SU TUTTE LE MACCHINE

ROUND SHAPE CONNECTOR
 INSTALLED ON ALL MACHINE

C030642



CONNETTORE "DEUTSCH"
 MONTATO SU 7.3, 8.4, 9.5, 10.8, 8.5, 9.6, 10.9

"DEUTSCH" CONNECTOR
 INSTALLED ON 7.3, 8.4, 9.5, 10.8, 8.5, 9.6, 10.9

C030647



CONNETTORE "DEUTSCH"
 MONTATO SU 5.3, 6.3, SD6, SD7, SD8, SD9

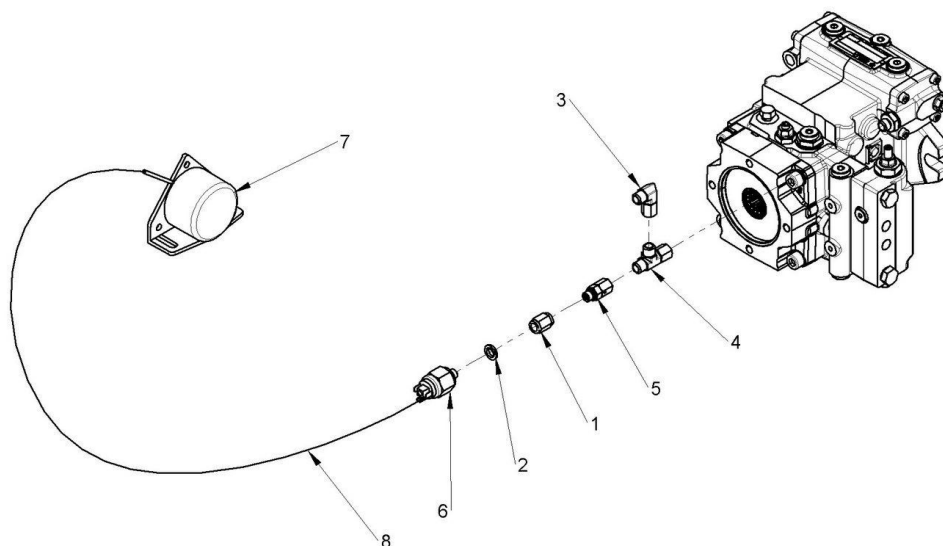
"DEUTSCH" CONNECTOR
 INSTALLED ON 5.3, 6.3, SD6, SD7, SD8, SD9

C030648



Component list [TAV. 58 JOYSTICK MULTI]

Pos.	Code	Description	Q.ty
1	C030642	MULTIONE JOYSTICK HANDLE, MULTIFUNCTION	1.00000
2	C030647	MULTIONE JOYSTICK HANDLE, MULTIFUNCTION	1.00000
3	C030648	MULTIONE JOYSTICK HANDLE, MULTIFUNCTION	1.00000



Component list [TAV. 59 BACK-UP ALLARM]

Pos.	Code	Description	Q.ty
1	C030361	CONNECTOR F1/8 GAS F1/8 GAS	1.00000
2	C030549	BONDED WASHER 1/8""GAS	1.00000
3	C033027	ANGULAR ROTARY FITTING F6L-M6L	1.00000
4	C033033	T CONNECTION F-M-M 6L	1.00000
5	C033117	STANDPIPE ADAPTORS PACKING RING M1/8"" - FG6L	1.00000
6	C036651	PRESSURE SWITCH 1/8""GAS	1.00000
7	FF180/31.0031.0000	BACKUP BUZZER	1.00000
8	C038088	BACK-UP ALLARM WIRING	1.00000

TASTI ED INTERRUTTORI / BUTTON AND SWITCHES

TAV. 60



Component list [TAV. 60 SWITCHES]

Pos.	Code	Description	Q.ty
1	C036153	HORN SWITCH	1.00000
2	C036154	WORK LIGHT SWITCH	1.00000
3	C036155	FRONT ELECTRIC PLUG SWITCH	1.00000
4	C036156	HAND BRAKE SWITCH	1.00000
5	C036157	DIFFERENTIAL LOCK SWITCH	1.00000
6	C036158	SLOW/FAST GEAR SWITCH	1.00000
7	C036159	ADDITIONAL WORK LIGHT SWITCH	1.00000
8	C036160	SWITCH FAN	1.00000
9	C036161	WINDSCREEN WASHER SWITCH	1.00000
10	C036162	FLASHING BEACON SWITCH	1.00000
11	C036163	HEATED SEAT SWITCH	1.00000
12	C036164	FLOATING BOOM SWITCH	1.00000
13	C036165	REAR OUTLET SWITCH	1.00000
14	C036166	ROAD LIGHT SWITCH	1.00000
15	C036167	AUTOMATIC LOCKING COUPLING PLATE SWITCH	1.00000



Draft and part list report
Serial n / code M331411 / C966000
Description MULTIONE 10.8

16	C036168	HAZARD LIGHTS SWITCH	1.00000
17	C036169	BLINKER LIGHT SWITCH	1.00000
18	FF180/17.153.000	HORN BUTTON	1.00000
19	FF180/106616	HAZARD LIGHT BUTTON	1.00000
20	C036170	BEACON LIGHT BUTTON	1.00000
21	FF180/30.34.08956	LEVER SWITCH ON-OFF WITH RUBBER	1.00000
22	FF180/30.34.10306	LEVER SWITCH ON-OFF-ON WITH RUBBER	1.00000
23	C036171	TORQUE DIVIDER SWITCH	1.00000
24	C036172	ROADLIGHT AND TURN SIGNAL INDICATOR	1.00000



Draft and part list report
Serial n / code M331411 / C966000
Description MULTIONE 10.8

DECALCOMANIE / DECALS

Tav. 95

CODE	DESCRIZIONE	DESCRIPTION	NOTE
C042200	DECALCOMANIA GENERALE MACCHINE	GENERAL DECALS FOR MULTIONE	USED ON ALL MACHINES
C042202	DECALCOMANIA GENERALE PITTOGRAMMI MACCHINE	GENERAL SAFETY DECALS FOR MULTIONE	USED ON ALL MACHINES
C042111	DECAL LWA 98 DB	DECAL LWA 98 DB	USED ON: 4.2, 5.2, 6.3 SERIES, 7.2 7.3 SERIES, 6.3SD, 7.3SD, 8.4SD
C042110	DECAL LWA 99 DB	DECAL LWA 99 DB	USED ON: 5.3, 8.4 SERIES
C042109	DECAL LWA 100 DB	DECAL LWA 100 DB	USED ON: 1.1, 2.3, 9.5, 9.6, 10.9, 9.5SD
C042112	DECAL LWA 101 DB	DECAL LWA 101 DB	USED ON: 10.8
C042114	DECAL LPA 82 DB	DECAL LPA 82 DB	USED ON: 7.3 SERIES, 7.3SD
C042116	DECAL LPA 84 DB	DECAL LPA 84 DB	USED ON: 7.2, 6.3 SERIES, 6.3SD
C042117	DECAL LPA 85 DB	DECAL LPA 85 DB	USED ON: 1.1, 2.3, 4.2, 5.2, 8.4 SERIES, 10.8, 10.9, 8.4SD
C042102	DECAL LPA 86 DB	DECAL LPA 86 DB	USED ON: 9.5, 9.6, 9.5SD
C042100	DECAL LPA 87 DB	DECAL LPA 87 DB	USED ON: 5.3
C042437	DIAGRAMMA DI CARICO SERIE 2	M1 2 SERIES LOAD DIAGRAM	
C042443	DIAGRAMMA DI CARICO SERIE 4 - 5	M1 4 - 5 SERIES LOAD DIAGRAM	
C042429	DIAGRAMMA DI CARICO SERIE 6	M1 6 SERIES LOAD DIAGRAM	
C042430	DIAGRAMMA DI CARICO SERIE 7 - 8	M1 7 - 8 SERIES LOAD DIAGRAM	
C042431	DIAGRAMMA DI CARICO SERIE 9	M1 9 SERIES LOAD DIAGRAM	
C042432	DIAGRAMMA DI CARICO SERIE 10	M1 10 SERIES LOAD DIAGRAM	
C042440	DIAGRAMMA DI CARICO 6SD	M1 6SD LOAD DIAGRAM	
C042439	DIAGRAMMA DI CARICO 7SD - 8SD	M1 7SD - 8SD LOAD DIAGRAM	
C042438	DIAGRAMMA DI CARICO 9SD	M1 9SD LOAD DIAGRAM	
C042175	DECALCOMANIE M1 1.1	M1 1.1 DECAL	
C042436	DECALCOMANIE M1 2.3	M1 2.3 DECAL	
C042190	DECALCOMANIE M1 4.2	M1 4.2 DECAL	
C042189	DECALCOMANIE M1 5.2	M1 5.2 DECAL	
C042188	DECALCOMANIE M1 5.3	M1 5.3 DECAL	
C042412	DECALCOMANIE M1 6.3	M1 6.3 DECAL	
C042434	DECALCOMANIE M1 6.3+	M1 6.3+ DECAL	
C042413	DECALCOMANIE M1 6.3S	M1 6.3S DECAL	
C042433	DECALCOMANIE M1 7.2	M1 7.2 DECAL	
C042414	DECALCOMANIE M1 7.3	M1 7.3 DECAL	
C042415	DECALCOMANIE M1 7.3+	M1 7.3+ DECAL	
C042416	DECALCOMANIE M1 7.3S	M1 7.3S DECAL	
C042417	DECALCOMANIE M1 8.4	M1 8.4 DECAL	
C042427	DECALCOMANIE M1 8.4+	M1 8.4+ DECAL	
C042418	DECALCOMANIE M1 8.4S	M1 8.4S DECAL	
C042420	DECALCOMANIE M1 8.5	M1 8.5 DECAL	
C042442	DECALCOMANIE M1 8.5S	M1 8.5S DECAL	
C042421	DECALCOMANIE M1 9.5	M1 9.5 DECAL	
C042424	DECALCOMANIE M1 9.6	M1 9.6 DECAL	
C042425	DECALCOMANIE M1 10.8	M1 10.8 DECAL	
C042426	DECALCOMANIE M1 10.9	M1 10.9 DECAL	
C042422	DECALCOMANIE M1 SD 6.3	M1 SD 6.3 DECAL	
C042419	DECALCOMANIE M1 SD 7.3	M1 SD 7.3 DECAL	
C042423	DECALCOMANIE M1 SD 8.4	M1 SD 8.4 DECAL	
C042428	DECALCOMANIE M1 SD 9.5	M1 SD 9.5 DECAL	

Component list [TAV. 95 DECALS]

Pos.	Code	Description	Q.ty
1	C042200	GENERAL SAFETY DECALS FOR MULTIONE	1.00000
2	C042202	S/SL/GT SAFETY DECALS FOR MULTIONE	1.00000
3	C042111	DECALCOMANIA DECIBEL LWA 98 DB	1.00000
4	C042110	DECALCOMANIA DECIBEL LWA 99 DB	1.00000
5	C042109	DECALCOMANIA DECIBEL LWA 100 DB	1.00000
6	C042112	LWA 101 DB LABEL	1.00000
7	C042114	DECALCOMANIA DECIBEL LPA 82 DB	1.00000
8	C042116	LPA 84 DB LABEL	1.00000
9	C042117	LPA 85 DB LABEL	1.00000
10	C042102	DECALCOMANIA DECIBEL LPA 86 DB	1.00000
11	C042100	DECALCOMANIA DECIBEL LPA 87 DB	1.00000
12	C042437	M1 2 SERIES LOAD DIAGRAM DECAL	1.00000
13	C042443	M1 4-5 SERIES LOAD DIAGRAM DECAL	1.00000
14	C042429	{{>desc}}	1.00000
15	C042430	{{>desc}}	1.00000
16	C042431	{{>desc}}	1.00000



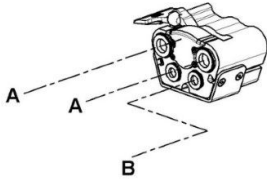
Draft and part list report
Serial n / code M331411 / C966000
Description MULTIONE 10.8

17	C042432	{{>desc}}	1.00000
18	C042440	M1 6SD SERIES LOAD DIAGRAM DECAL	1.00000
19	C042439	M1 7SD-8SD SERIES LOAD DIAGRAM DECAL	1.00000
20	C042438	SD 9 LOAD DIAGRAM DECAL	1.00000
21	C042175	M1 1.1 DECAL	1.00000
22	C042436	{{>desc}}	1.00000
23	C042190	{{>desc}}	1.00000
24	C042189	{{>desc}}	1.00000
25	C042188	{{>desc}}	1.00000
26	C042412	KIT DECALS FOR M1 6.3	1.00000
27	C042434	KIT DECALS FOR M1 6.3S	1.00000
28	C042413	KIT DECALS FOR M1 6.3S	1.00000
29	C042433	KIT DECALS FOR M1 7.3	1.00000
30	C042414	KIT DECALS FOR M1 7.3	1.00000
31	C042415	KIT DECALS FOR M1 7.3+	1.00000
32	C042416	KIT DECALS FOR M1 7.3S	1.00000
33	C042417	KIT DECALS FOR M1 8.4	1.00000
34	C042427	KIT DECALS FOR M1 8.4	1.00000
35	C042418	KIT DECALS FOR M1 8.4S	1.00000
36	C042420	{{>desc}}	1.00000
37	C042442	8.5S KIT DECALS	1.00000
38	C042421	DECALS KIT FOR M1 9.5	1.00000
39	C042424	{{>desc}}	1.00000
40	C042425	{{>desc}}	1.00000
41	C042426	{{>desc}}	1.00000
42	C042422	{{>desc}}	1.00000
43	C042419	{{>desc}}	1.00000
44	C042423	{{>desc}}	1.00000
45	C042428	SD 9.5 DECALS	1.00000

INSERTI WEO / WEO FITTINGS

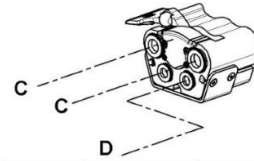
Tav. 96

**MACHINE MULTICONNECTOR
 MULTIONE 9-10 SERIES**



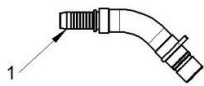
HOSE TYPE	WORK PRES BAR	HOSE DIAMETER	LENGHT RUBBER HOSE	1st FITTING DIN 2353	2nd FITTING WEO
"A" PORTS HOSES					
2SC	250	5/8"	1030	MALE STRAIGHT 18L (M30x2)	POS. 1
"B" PORT HOSE					
PILOT	100	3/8"	1150	MALE STRAIGHT 12L (M18x1,5)	POS. 3

**MACHINE MULTICONNECTOR
 MULTIONE 2-4-5-6-7-8 SERIES**



HOSE TYPE	WORK PRES BAR	HOSE DIAMETER	LENGHT RUBBER HOSE	1st FITTING DIN 2353	2nd FITTING WEO
2 SERIES					
"C" PORTS HOSES					
1SC	160	1/2"	730	FEMALE 90° 12L (M18x1,5)	POS. 2
1SC	160	1/2"	690	FEMALE STRAIGHT 12L (M18x1,5)	POS. 2
"D" PORT HOSE					
PILOT	100	3/8"	710	FEMALE 90° 12L (M18x1,5)	POS. 3
4-5 SERIES					
"C" PORTS HOSES					
1SC	160	1/2"	730	MALE STRAIGHT 15L (M22x1,5)	POS. 2
1SC	160	1/2"	780	MALE STRAIGHT 15L (M22x1,5)	POS. 2
"D" PORT HOSE					
PILOT	100	3/8"	790	MALE STRAIGHT 12L (M18x1,5)	POS. 3
6-7-8 SERIES					
"C" PORTS HOSES					
1SC	160	1/2"	970	MALE STRAIGHT 15L (M22x1,5)	POS. 2
"D" PORT HOSE					
PILOT	100	3/8"	1060	MALE STRAIGHT 12L (M18x1,5)	POS. 3

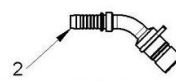
A 45° FITTING WEO SIZE 3/4"
 FOR 5/8" HOSE



B 45° FITTING WEO SIZE 1/2"
 FOR 3/8" HOSE



C 45° FITTING WEO SIZE 3/4"
 FOR 1/2" HOSE

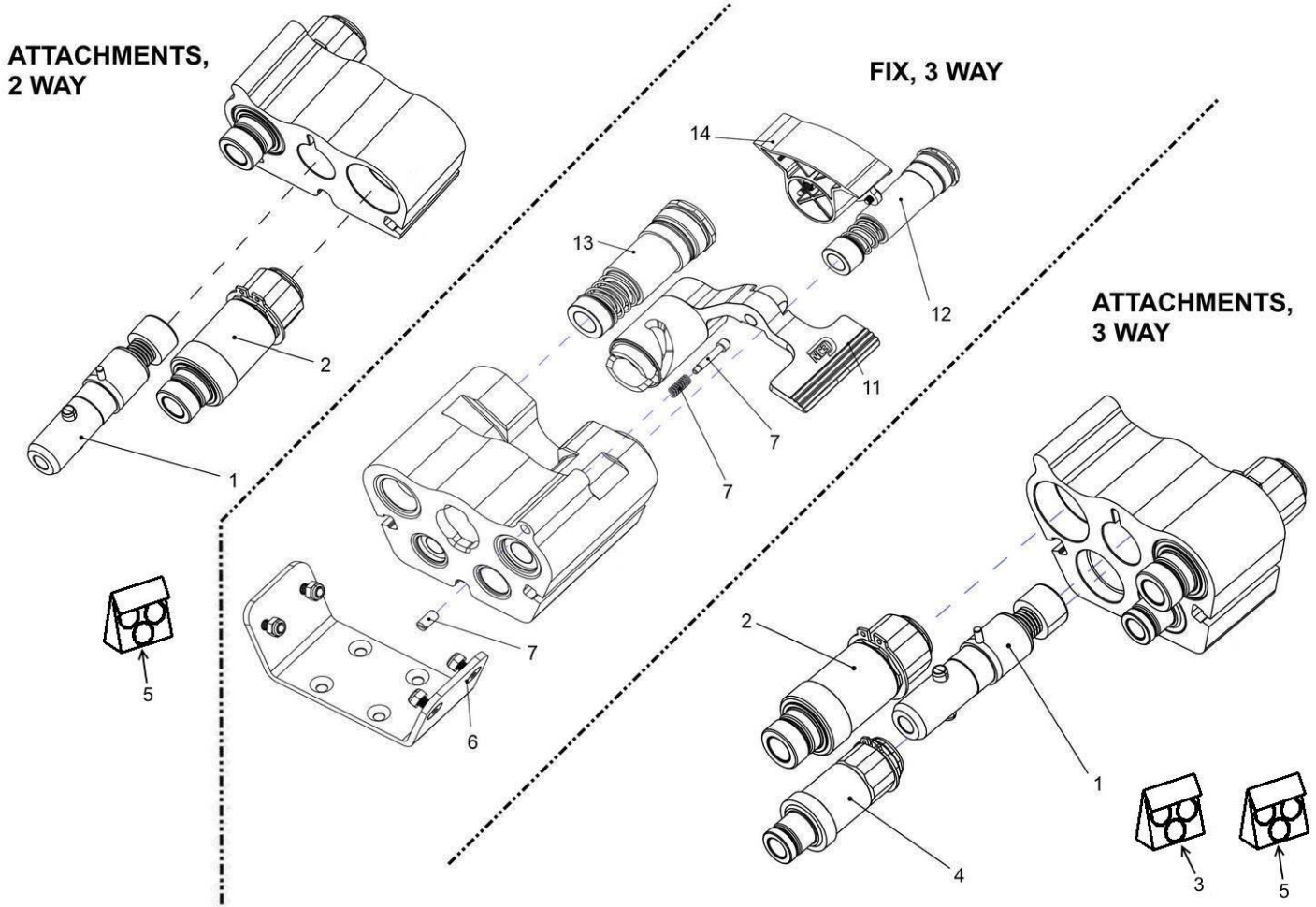


D 45° FITTING WEO SIZE 1/2"
 FOR 3/8" HOSE



Component list [TAV. 96 MACHINE MULTICONNECTOR WEO FITTINGS]

Pos.	Code	Description	Q.ty
1	C033401	45° FITTING WEO SIZE 3/4" FOR 5/8" HOSE	1.00000
2	C033402	45° FITTING WEO SIZE 3/4" FOR 1/2" HOSE	1.00000
3	C033405	45° FITTING WEO SIZE 1/2" FOR 3/8" HOSE	1.00000
4	C033410	STRAIGHT FITTING WEO SIZE 1/2" FOR 1/2" HOSE	1.00000
5	C033411	STRAIGHT FITTING WEO SIZE 1/2" FOR 3/8" HOSE	1.00000
6	C033416	90° FITTING WEO SIZE 1/2" FOR 3/8" HOSE	1.00000
7	C033425	STRAIGHT FITTING WEO SIZE 3/8" FOR 3/8" HOSE	1.00000



Component list [TAV. 99 HYDRAULIC MULTI COUPLING PLATE, FIX 3 WAY, ATTACHMENTS 3 WAY, ATTACHMENTS 2 WAY]

Pos.	Code	Description	Q.ty
1	FF1187/109324972	CENTER BOLT KIT	1.00000
2	FF1187/105646905	MALE JOINY KIT DN 12,5	1.00000
3	FF1187/103654991	DN 10 SEAL KIT	1.00000
4	FF1187/103646904	MALE JOINY KIT DN 10	1.00000
5	FF1187/105654991	DN 12,5 SEAL KIT	1.00000
6	FF1187/109324975	MOUNTING BRACKET	1.00000
7	FF1187/109324992	LOCKING LEVER PIN KIT	1.00000
11	FF1187/109324970	LOCKING LEVER KIT	1.00000
12	FF1187/103651906	FEMALE JOINY KIT DN 10	1.00000
13	FF1187/105651907	FEMALE JOINY KIT DN 12,5	1.00000
14	FF1187/109324971	BACK LID KIT	1.00000