

List of machine draft

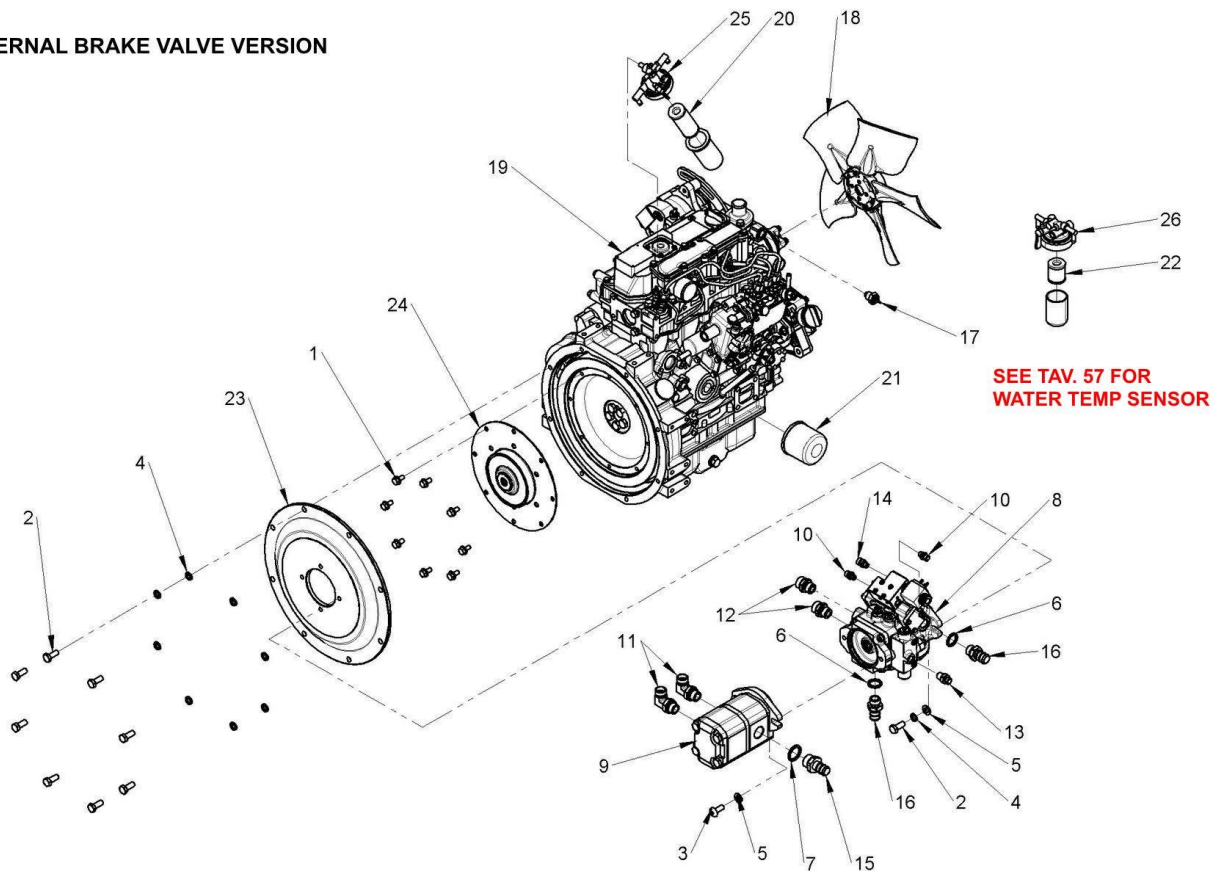
N.	Draft
1	TAV. 01 M1 6.3+ ENGINE AND PUMPS
2	TAV. 02 ENGINE SUPPORT
3	TAV. 03 M1 7.2 WHEEL MOTORS
4	TAV. 04 M1 7.2 FUEL TANK AND ENGINE COOLER
5	TAV. 05 M1 7-8 TELESCOPIC BOOM
6	TAV. 06 RIGHT SIDE
7	TAV. 07 M1 6-7-8 ARTICULATION
8	TAV. 08 M1 7.2 MUFFLER, BATTERY AND AIR FILTER
9	TAV. 09 M1 7-8 LIFTING BOOM AND POWER STEERING
10	TAV. 10 M1 6-7-8 COUPLING PLATE
11	TAV. 11 M1 7.2 ROLLBAR, SEAT AND PEDALS
12	TAV. 12 M1 7-8 REAR PLASTIC COVER SUPPORT
13	TAV. 13 M1 7-8 REAR PLASTIC COVER
14	TAV. 14 M1 7-8 FRONT PLASTIC COVER SUPPORT
15	TAV. 15 FRONT PLASTIC COVER
16	TAV. 16 M1 7-8 SELF LEVELING
17	TAV. 17 M1 6-7-8 STANDARD AND OPTIONAL WORK LIGHT
18	TAV. 18 M1 7-8 HYDRAULIC TRANSMISSION
19	TAV. 20 M1 7-8 SERVICE HYDRAULIC PLANT
39	TAV. 28 M1 6->9 ELECTRIC PARTS
37	TAV. 29 M1 6.3 FILTERS
20	TAV. 30 M1 6-7-8 ROAD LIGHT KIT (OPTIONAL)
21	TAV. 31 M1 6-10 GLASS CABIN
22	TAV. 32 M1 6-7-8 GLASS CABIN DETAILS (OPTIONAL)
23	TAV. 33 M1 7.2 HEATER
24	TAV. 34 M1 6-7-8 AUTOMATIC COUPLING PLATE (OPTIONAL)
25	TAV. 35 M1 6-10 FLOATING BOOM
26	TAV. 36 SECURITY ARM
27	TAV. 38 BACK-UP ALLARM
28	TAV. 39 M1 6->10 POLYCARBONATE GLASS SMART CABIN
29	TAV. 41 LUXURY HEATED SEAT
30	TAV. 44 55 mm WHEEL SPACER
31	TAV. 45 MULTICONNECTOR COUPLING TO QUICK COUPLING KIT ADAPTOR
32	TAV. 46 TOW HOOK
33	TAV. 49 M1 5-8, M1 6SD-8SD REAR BUMPER
41	TAV. 54 STEEL MUD GUARD
38	TAV. 57 WATER TEMP SENSOR
34	TAV. 60 SWITHES
40	TAV. 95 DECALS
35	TAV. 96 MACHINE MULTICONNECTOR WEO FITTINGS



Draft and part list report
Serial n / code M331494 / C962015
Description MULTIONE 7.2

36 TAV. 99 HYDRAULIC MULTI COUPLING PLATE, FIX 3 WAY, ATTACHMENTS 3 WAY, ATTACHMENTS 2 WAY

INTERNAL BRAKE VALVE VERSION



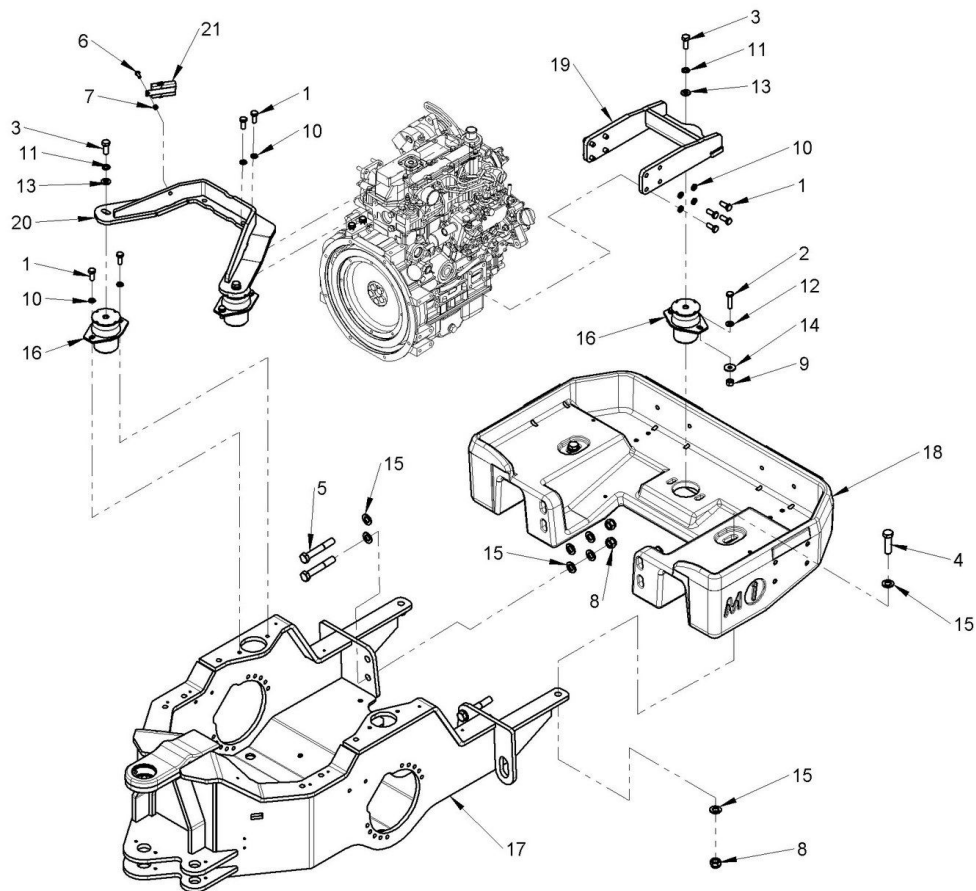
Component list [TAV. 01 M1 6.3+ ENGINE AND PUMPS]

Pos.	Code	Description	Q.ty
1	C019201	HEXAGON FLANGE BOLT M8x16 DIN 6921	8.00000
2	C020101	HEXAGON HEAD SCREW 8.8 M10X25 UNI EN ISO 4017	10.00000
3	C020550	HEXAGON SOCKET OVAL HEAD SCREW 8.8 M10X25 ISO 7380	2.00000
4	C023042	SELF LOCKING FLANGE NORD LOCK M10	10.00000
5	C023080	FLAT WASHER X M10 10.5X20X2	4.00000
6	C030542	BONDED WASHER 1/2" GAS	2.00000
7	C030543	BONDED WASHER 3/4" GAS	1.00000
8	C031305	HYDROSTATIC PUMP 19CC POCLAIN 6/7/8 SERIES	1.00000
9	C030964	11CC GEAR PUMP	1.00000
10	C033008	NIPPLES 1/8" GAS / 6L	2.00000
11	C033022	90° ELBOW, ADJUSTABLE MALE STUD G 1/2 - MALE 15L	2.00000
12	C033073	NIPPLES 1/2 GAS/16S	2.00000
13	C033134	NIPPLES 1/4GAS-8L	1.00000
14	C033172	1/8 G - 8L NIPPLE	1.00000
15	C033300	STRAIGHT HOSE CONNECTOR 3/4" FOR 3/4" HOSE	1.00000
16	C033301	{{>desc}}	2.00000



Draft and part list report
Serial n / code M331494 / C962015
Description MULTIONE 7.2

17		{{>desc}}	1.00000
18	C034205	340 VARIABLE PITCH FAN	1.00000
19	C039036	YANMAR DIESEL ENGINE 3TNV76	1.00000
20	C039049	FUEL FILTER CARTRIDGE FOR A600Y,S26,S600Y	1.00000
21	C039050	OIL FILTER FOR YANMAR 3TNE68,3TNV76	1.00000
22	C039053	WATER SEPARATOR FILTER CARTRIDGE SL30,S25,S20,F25,F20,A600Y,S600,S26	1.00000
23	C039522	PUMP FLANGE SAE 5/SAE A FOR YANMAR	1.00000
24	C039543	Z9 PUMP JOINT	1.00000
25	FF163/119833-55620	COMPLETE FUEL FILTER ASSY FOR 3TNE78/82 3TNV76	1.00000
26	FF163/129335-55700	SEPARATOR WATER FILTER, COMPLETE TN 74>88	1.00000



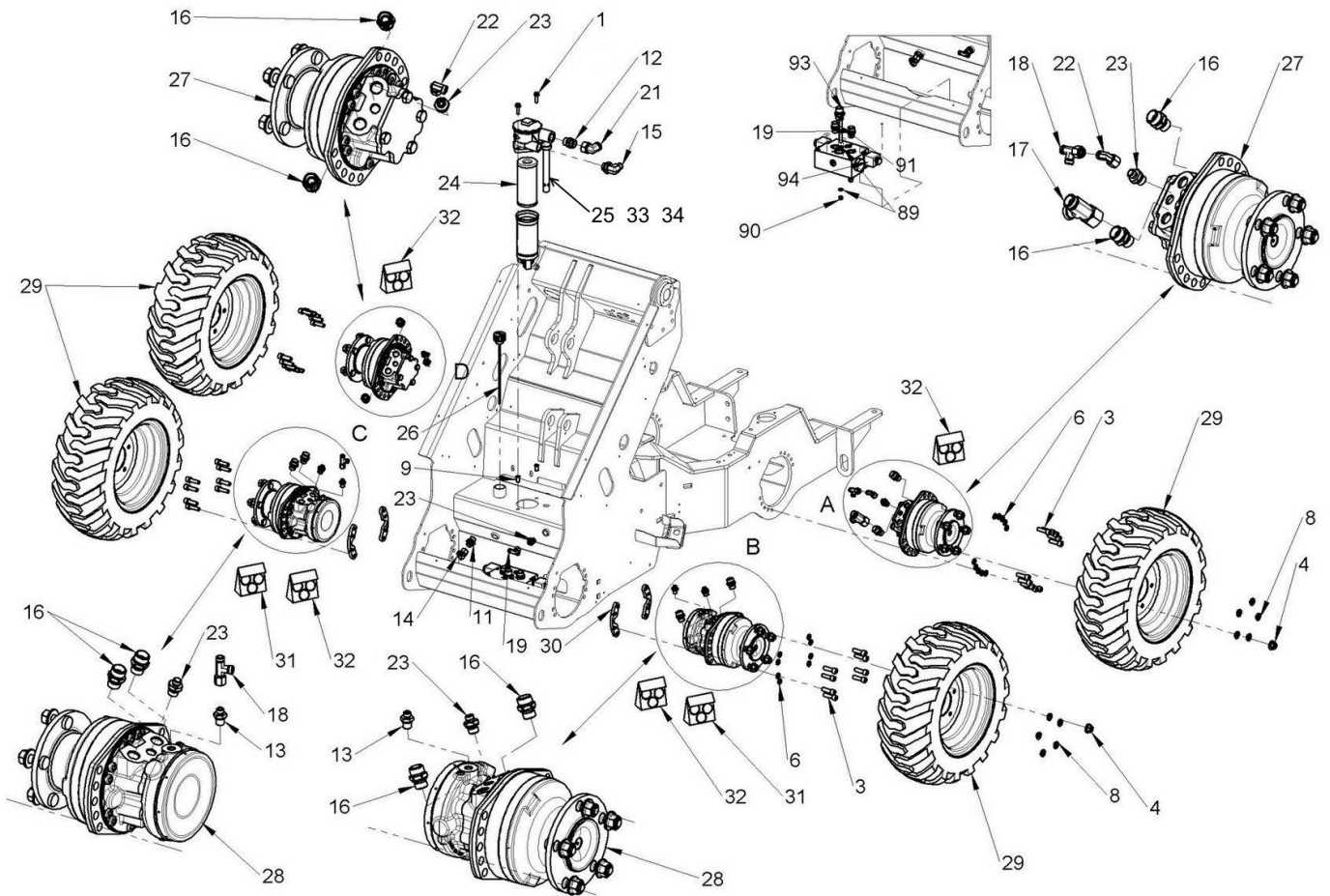
Component list [TAV. 02 ENGINE SUPPORT]

Pos.	Code	Description	Q.ty
1	C020101	VITE TE CI. 8.8 M10x25 UNI EN ISO 4017	16.00000
2	C020104	VITE TE M10x40	2.00000
3	C020132	VITE TE M12x30 UNI 5739	3.00000
4	C020141	VITE TE M16x55	2.00000
5	C020146	VITE TE M16x90 P.F. ISO 4014	4.00000
6	C020548	VITE TBEI M6x20 UNI/ISO 7380	1.00000
7	C021104	DADO AUTOBLOCCANTE M6 UNI 7473	1.00000
8	C021109	DADO AUTOBLOCCANTE M16	6.00000
9	C021503	DADO AUTOFRENANTE M10 ZG DIN980	2.00000
10	C023042	RONDELLA NORD-LOCK M10	16.00000
11	C023043	RONDELLA NORD LOCK M12	3.00000
12	C023080	RONDELLA PIANA M10	2.00000
13	C023102	RONDELLA PIANA M12 UNI 6592	3.00000
14	C023104	RONDELLA GREMB M10	2.00000
15	C023139	RONDELLA PIANA M16	16.00000
16	C037410	ANTIVIBRANTE IDRAULICO MEDIO HS 2 40Sh PORTATA 125KG	3.00000



Draft and part list report
Serial n / code M331494 / C962015
Description MULTIONE 7.2

17	C281600	ASSIEME TELAIO POSTERIORE	1.00000
18	C281616	ZAVORRA	1.00000
19	C284420	SUPP. MOTORE POSTERIORE 3TNV76 SU 7.2-6.3SD	1.00000
20	C284425	SUPPORTO MOTORE ANTERIORE 3TNV76 SU 7.2-6.3SD	1.00000
21	FF180/MTA 03.00390	PORTAFUSIBILE MAXI	1.00000



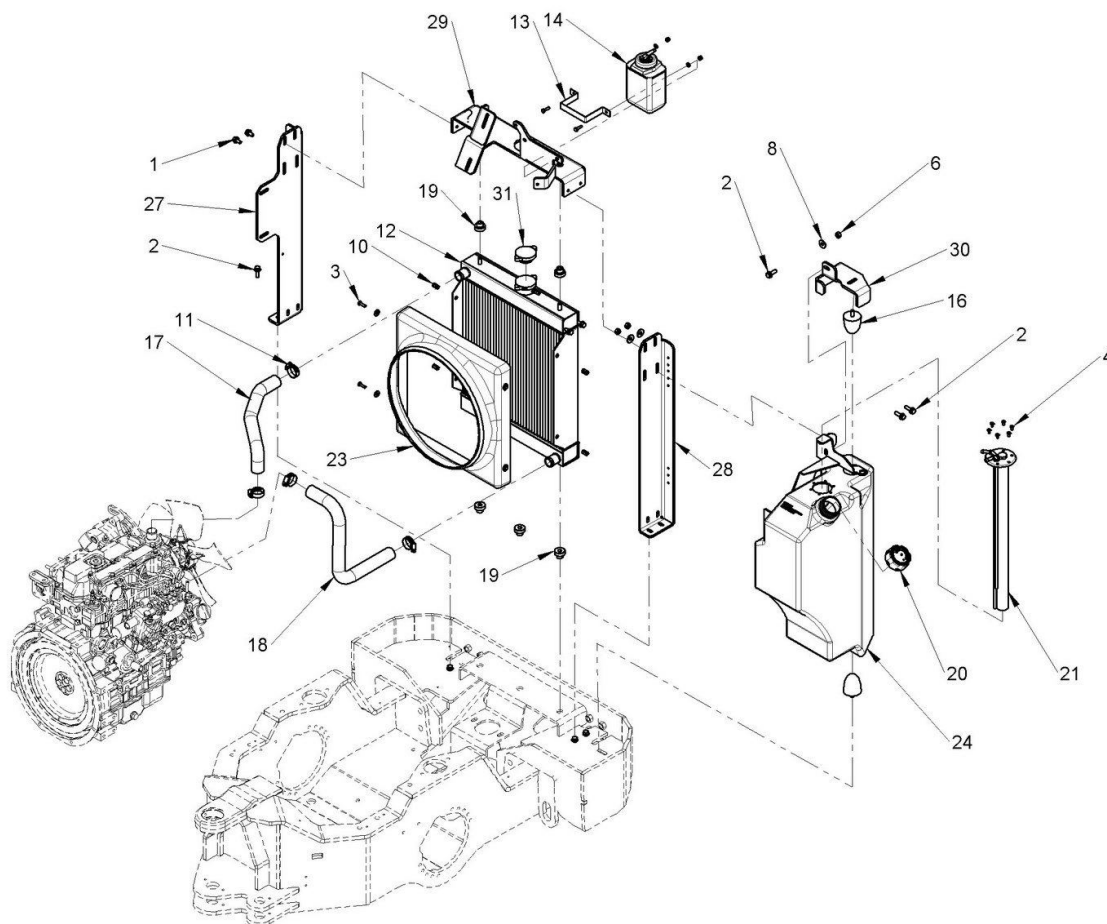
Component list [TAV. 03 M1 7.2 WHEEL MOTORS]

Pos.	Code	Description	Q.ty
1	C019204	HEXAGON FLANGE BOLT M8X30 ZB UNI EN ISO 1665	2.00000
2	C020082	HEXAGON HEAD SCREW 8.8 M8X90 UNI 5739	2.00000
3	C020250	HEXAGON SOCKET HEAD CAP SCREW CI. 12.9 M12x40 ZB UNI EN ISO 4762	36.00000
4	C021135	FLANGED NUT M14X1.5 FOR POCLAIN WHEEL MOTOR	2.00000
5	C021502	SLOTTED AND CASTLE HEXAGON NUTS M8 DIN980	2.00000
6	C023043	SELF LOCKING WASHER M12	36.00000
7	C023071	PLAIN WASHER M8 8.4x16x1.6 UNI6592	4.00000
8	C023500	WASHER LIMES D.14 FOR GT WHEEL SCREWS	20.00000
9	C028287	THREAD INSERT M8	2.00000
10	C031007	FLOW DIVIDER W/BYPASS 90L	1.00000
11	C033002	NIPPLES 1/2" G / 12L	1.00000
12	C033004	NIPPLES 3/4" G - 22L	1.00000
13	C033007	NIPPLES 1/4" GAS / 6L	2.00000
14	C033024	ELBOW FITTING F12L ORIENT. /M12L	1.00000
15	C033028	3/4" 90° SUCTION HOSE FITTING	1.00000
16	C033073	NIPPLES 1/2 GAS/16S	10.00000



Draft and part list report
Serial n / code M331494 / C962015
Description MULTIONE 7.2

17	C033083	STUD BRANCH TEES M-M-F 16S	1.00000
18	C033085	TEES CONNECTION F-M-M 8L	2.00000
19	C033086	TEES-CONNECTION M-F-M 8L	1.00000
20	C033104	NIPPLES 3/4" G - 16S	1.00000
21	C033130	ADJUSTABLE ELBOW FG22L / M22L	1.00000
22	C033131	CONNECTOR 90° FG8L / M8L	2.00000
23	C033133	NIPPLES 3/8" GAS / 8L	5.00000
24	C036627	CARTRIDGE HYDRAULIC OIL FILTER FOR S500/S600/SL840P/SL800 2 ¹ GEN	1.00000
25	C036628	FILTER ASSY FOR SL800P/S500/600 2 ¹ GEN	1.00000
26	C038748	1" G PRESSURIZED LEVEL CUP	1.00000
27	C038835	MSE02-0 332cc WHEEL MOTOR	2.00000
28	C038836	MSE02-0 332cc WHEEL MOTOR WITH BRAKE	2.00000
29	C040050	23X8.50-12 TRACTOR LOADER WHEEL ETO	4.00000
30	C281614	WHEEL MOTOR LOCKING PLATE	4.00000
31	FF289/A36744P	SEAL KIT FOR MSE02 BRAKE	2.00000
32	FF289/A36747S	SEAL KIT (ALL SEALS)FOR MSE02 WITH BRAKE	4.00000
33	C036646	HANDLE FOR FILTER CARTRIDGE	1.00000
34	C036647	Ø65 O-RING SEAL FOR FILTER HANDLE CUP	1.00000



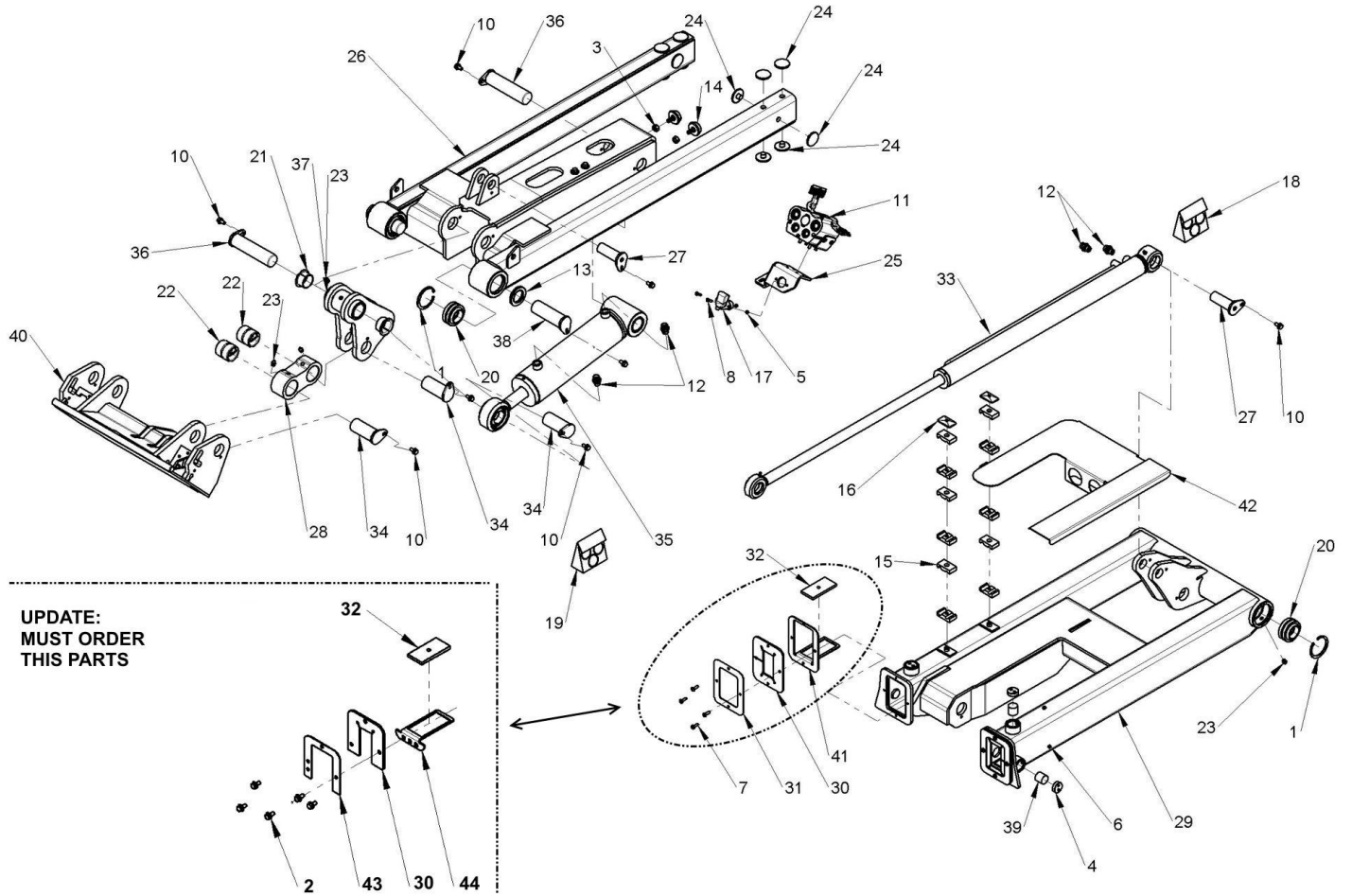
Component list [TAV. 04 M1 7.2 FUEL TANK AND ENGINE COOLER]

Pos.	Code	Description	Q.ty
1	C019201	HEXAGON FLANGE BOLT M8x16 DIN 6921	4.00000
2	C019203	HEXAGON FLANGE BOLT M8x25 ISO 1665	7.00000
3	C020051	ISO 4017 M6x20 SCREW	6.00000
4	C020561	HEXAGON SOCKET OVAL HEAD SCREW M5x10 ISO 7380	6.00000
5	C021104	PREVAILING TORQUE-TYPE HEXAGONAL NUTS WITH POLYAMIDE RING M6 UNI 7473	2.00000
6	C021502	SLOTTED AND CASTLE HEXAGON NUTS M8 DIN980	7.00000
7	C023090	FLAT WASHER M6 6.4x12x1.6 UNI 6592	2.00000
8	C023100	PLAIN WASHER LARGE SERIES M8 DIN 9021	3.00000
9	C023110	PLAIN WASHER LARGE SERIES M6 6.5X18X1.5 DIN9021	4.00000
10	C028271	THREAD INSERT M6	4.00000
11	C029032	STAINLESS STEEL CLAMP 30-45 BELT 12	4.00000
12	C030620	ENGINE WATER COOLER	1.00000
13	C034090	COOLANT TANK BRACKET	1.00000
14	C034091	COOLANT TANK	1.00000
15	C034205	İ340 VARIABLE PITCH FAN	1.00000
16	C035139	SILENT BLOCK T-50 İ50 H=58 M8x20	2.00000



Draft and part list report
Serial n / code M331494 / C962015
Description MULTIONE 7.2

17	C035151	INLET ENGINE COOLER PIPE	1.00000
18	C035152	OUTLET REFRIGERATOR PIPE	1.00000
19	C036017	RADIATOR DAMPING PAD	5.00000
20	C038723	FUEL CUP, NO KEY	1.00000
21	C038758	6.3 7.3 8.4 FUEL SENSOR	1.00000
22	C039036	YANMAR DIESEL ENGINE 3TNV76	1.00000
23	C041412	ENGINE COOLER AIR CONVEYOR	1.00000
24	C220490	34 LT FUEL TANK MULTIONE 7-8 SERIE	1.00000
25	C281600	REAR FRAME	1.00000
26	C281618	BACK WEIGHT M1 6.3	1.00000
27	C281634	RIGHT ENGINE COOLER SUPPORT REV.04	1.00000
28	C281636	LEFT ENGINE COOLER SUPPORT REV.05	1.00000
29	C281637	UPPER ENGINE COOLER SUPPORT	1.00000
30	C281882	FUEL TANK LOCKER	1.00000
31	FF447/TAPOVAME0009	ENGINE COOLER MEDIUM CAP	1.00000



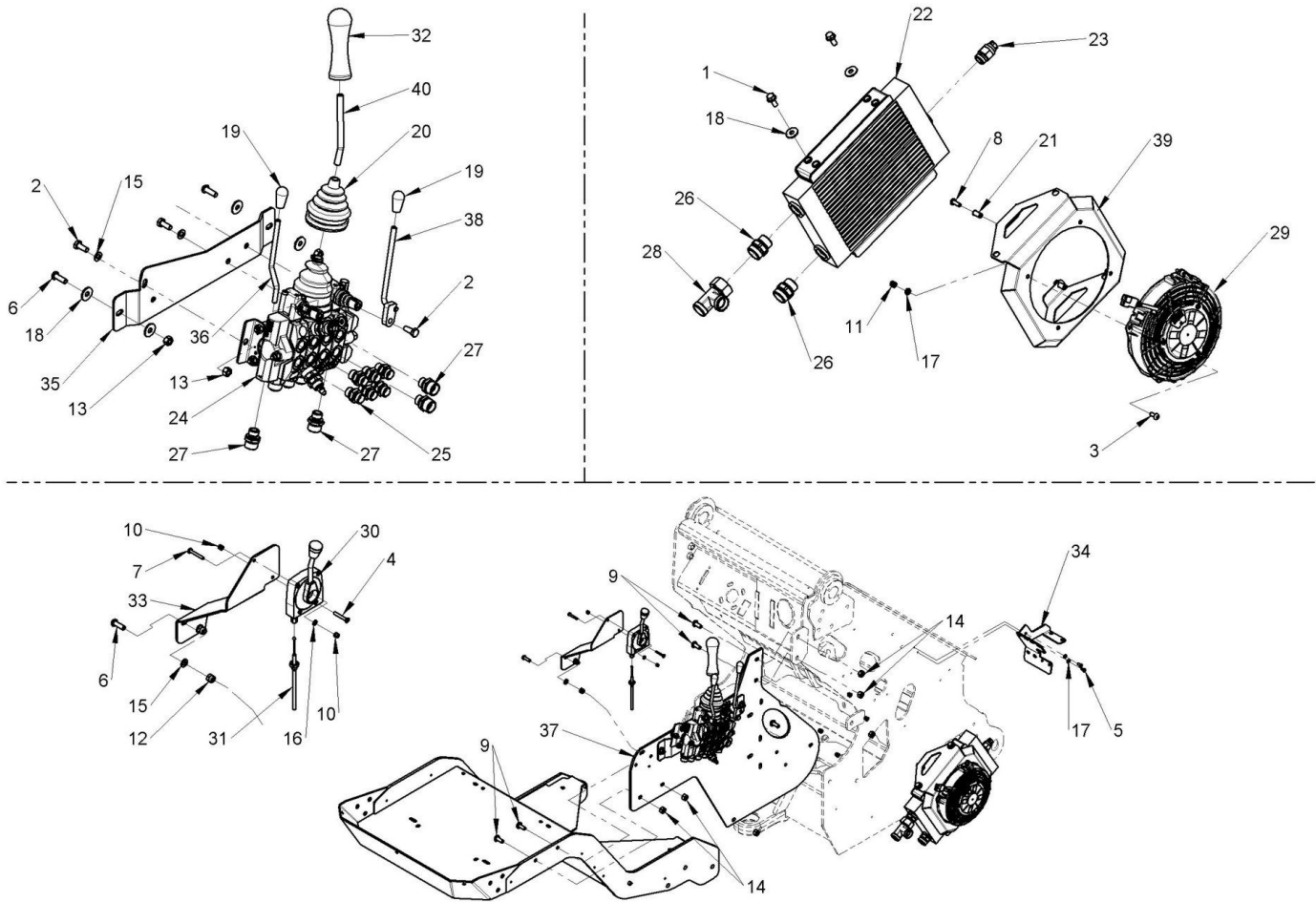
Component list [TAV. 05 M1 7-8 TELESCOPIC BOOM]

Pos.	Code	Description	Q.ty
1	C018302	BORES SEEGER RING ĩ68 DIN 472	4.00000
2	C019201	HEXAGON FLANGE BOLT M8x16 DIN 6921	9.00000
3	C019202	HEXAGON FLANGE BOLT M8X20 DIN 6921	2.00000
4	C021413	SETTING HEAD 1"G	2.00000
5	C020548	HEXAGON SOCKET OVAL HEAD SCREW M6x20 ZN UNI/ISO 7380	8.00000
6	C020566	STRAIGHT THREAD E.I. M8X8 UNI5927 ZB	4.00000
7	C021102	PREVAILING TORQUE - TYPE HEXAGON NUT WITH POLYAMIDE RING M5 DIN 982	2.00000
8	C020287	RECESSED RAISED CHEESE HEAD SCREW M5x20 UNI 7687 DIN 7985	4.00000
9	C021503	SELF-LOCKING HEXAGONAL NUT M10 ZN DIN980	2.00000
10	C023100	PLAIN WASHER LARGE SERIES M8 DIN 9021	2.00000
11	C030480	HYDRAULIC MULTICONNECTOR, FIX 3 WAY	1.00000
12	C033001	NIPPLES 3/8" G / 12L	4.00000
13	C035077	NBR SHAFT SEAL ĩ40x62x7	2.00000
14	C035078	RUBBER END	2.00000
15	C035119	DOUBLE HOSE HOLDER, ĩ12 AND ĩ15	12.00000
16	C035140	UPPER PLATE FOR HOSE HOLDER, TWIN	2.00000



Draft and part list report
Serial n / code M331494 / C962015
Description MULTIONE 7.2

17	FF180/25.036.100	3 POLE CONNECTOR (MACHINE MOUNT)	1.00000
18		{{>desc}}	1.00000
19		{{>desc}}	1.00000
20	C037639	RADIAL SPHERICAL PLAIN BEARINGS GE 40 FO 2RS	4.00000
21	C037641	BUSHING ĩ40x44x55x25	2.00000
22	C037689	SIBO BUSHING 50x40x50	2.00000
23	C090030	GREASER M10X1 UNI 7663A	7.00000
24	C281633/L	ROUND SLIDE PAD FOR TELESCOPIC ARM M1 5->10	12.00000
25	C281640	MULTICONNECTOR PLATE SUPPORT	1.00000
26	C282380	TELESCOPIC BOOM MOBILE PART	1.00000
27	C281704	Ø30x85 PIN	2.00000
28	C281713	COUPLING PLATE ROD	1.00000
29	C282390	TELESCOPIC BOOM FIXED PART	1.00000
30	C281721	TELESCOPIC ARM RUBBER PROTECTION	2.00000
31	C281723	PROTECTION RUBBER FIXED FRAME	2.00000
32	C281734/L	SLIDING PAD	2.00000
33	C281745	TELESCOPIC BOOM CYLINDER	1.00000
34	C281765	FLANGED PIN ĩ40 L=90	3.00000
35	C281773	90-35-236 TILT PLATE CYLINDER M1 7-8 SD 7-8	1.00000
36	C281779	PIN ĩ40 L=155	2.00000
37	C281780	FIRST TILT LEVER	1.00000
38	C281799	PIN ĩ40 L=120	2.00000
39	C281859	SLIDING STUD M1 5->10 SERIES	4.00000
40	C281860	COUPLING PLATE	1.00000
41	C282306	SLIDING PAD BOOM BRACKET	2.00000
42	C282370	ANTI-WEAR PROTECTION FOR TUBES	1.00000
43	C284487	BOOM RUBBER FIXER	2.00000
44	C284488	SLIDING PAD BOOM BRACKET	2.00000



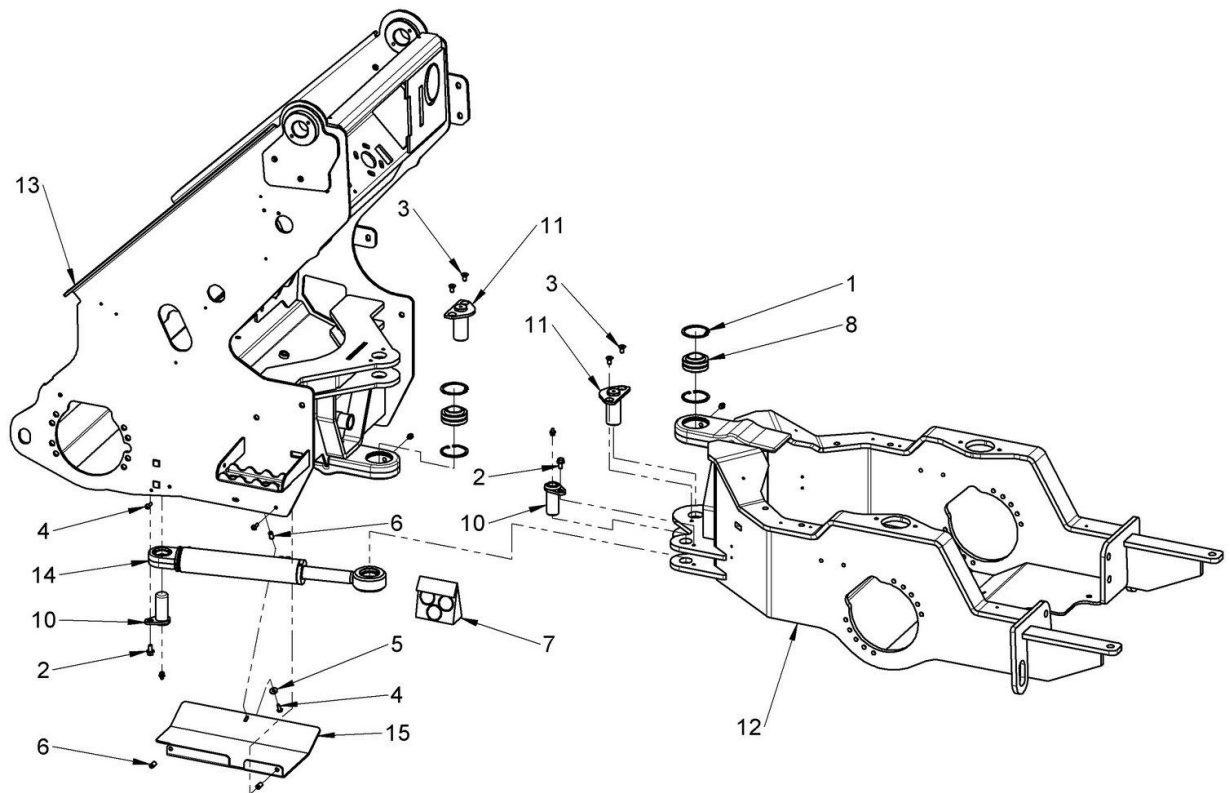
Component list [TAV. 06 RIGHT SIDE]

Pos.	Code	Description	Q.ty
1	C019202	HEXAGON FLANGE BOLT M8X20 DIN 6921	4.00000
2	C020072	HEXAGON HEAD BOLT 8.8 M8X20 UNI 5739	3.00000
3	C020145	HEXAGON SOCKET OVAL HEAD SCREW M6x16 ISO 7380	4.00000
4	C020291	HEXAGON SOCKET COUNTERSUNK HEAD CAP SCREW 10.9 M5x35 UNI 5933	1.00000
5	C020542	HEXAGON SOCKET OVAL HEAD SCREW M6x12 ZN ISO 7380	2.00000
6	C020543	HEXAGON SOCKET OVAL HEAD SCREW M8x25 ISO 7380	4.00000
7	C020547	HEXAGON SOCKET OVAL HEAD SCREW M5x16 ISO 7380	1.00000
8	C020548	HEXAGON SOCKET OVAL HEAD SCREW M6x20 ZN UNI/ISO 7380	2.00000
9	C020550	HEXAGON SOCKET OVAL HEAD SCREW 8.8 M10X25 ISO 7380	6.00000
10	C021102	PREVAILING TORQUE - TYPE HEXAGON NUT WITH POLYAMIDE RING M5 DIN 982	2.00000
11	C021104	PREVAILING TORQUE-TYPE HEXAGONAL NUTS WITH POLYAMIDE RING M6 UNI 7473	4.00000
12	C021502	SLOTTED AND CASTLE HEXAGON NUTS M8 DIN980	2.00000
13	C021502	SLOTTED AND CASTLE HEXAGON NUTS M8 DIN980	4.00000
14	C021503	SELF-LOCKING HEXAGONAL NUT M10 ZN DIN980	6.00000
15	C023071	PLAIN WASHER M8 8.4x16x1.6 UNI6592	4.00000
16	C023072	FLAT WASHER X M5 5.3x10x1	1.00000



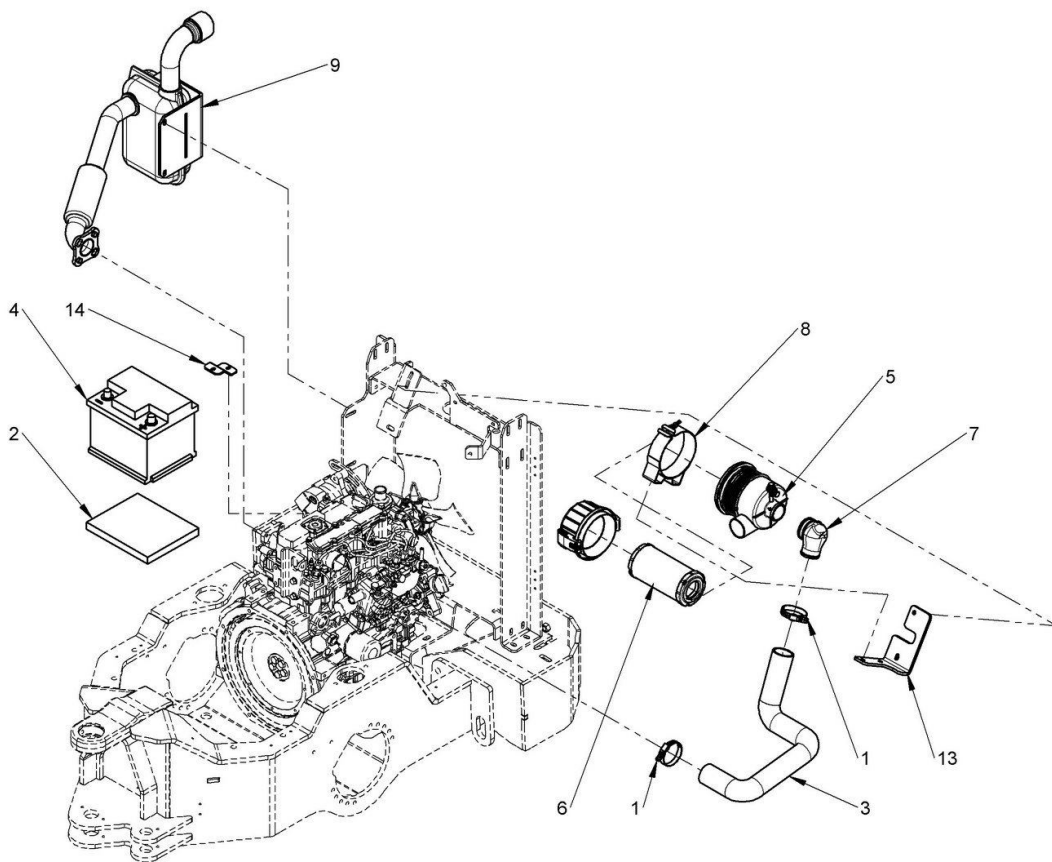
Draft and part list report
Serial n / code M331494 / C962015
Description MULTIONE 7.2

17	C023090	FLAT WASHER M6 6.4x12x1.6 UNI 6592	6.00000
18	C023100	PLAIN WASHER LARGE SERIES M8 DIN 9021	8.00000
19	C028029	CONICAL BALL KNOBS WITH M8 THREAD	2.00000
20	C028050	RUBBER JOYSTICK PROTECTION 72X11X83	1.00000
21	C028271	THREAD INSERT M6	2.00000
22	C030587	OIL COOLER FOR MULTIONE S 600 SERIES	1.00000
23	C030606	THERMOSWITCH 50-60 [!]	1.00000
24	C030759	S500 HYDRAULIC DISTRIBUTOR >07-2012 WITH VALVES	1.00000
25	C033001	NIPPLES 3/8" G / 12L	6.00000
26	C033004	NIPPLES 3/4" G - 22L	2.00000
27	C033010	3/8" -15L MALE JOINT	4.00000
28	C033079	T FITTING F-M-M 22L	2.00000
29	C034001	190mm ELECTRIC FAN	1.00000
30	C038711	WATERPROOF THROTTLE CONTROL HAND LEVER	1.00000
31	C038712	THROTTLE CABLE SL800	1.00000
32	C271683	JOYSTICK HANDLE FOR M AND S620	1.00000
33	C281638	THROTTLE SUPPORT	1.00000
34	C281639	RELAY SUPPORT	1.00000
35	C281647	BUCHER DISTRIBUTOR SUPPORT	1.00000
36	C281657/L	EXTENSIBLE BOOM COMMAND LEVER	1.00000
37	C281746	HYDRAULIC VALVES SIDE SUPPORT	1.00000
38	C282247	HYDRAULICH OUTLET COMMAND LEVER	1.00000
39	C282249	OIL SUPPORT COOLER	1.00000
40	C282288/L	JOYSTICK BAR	1.00000



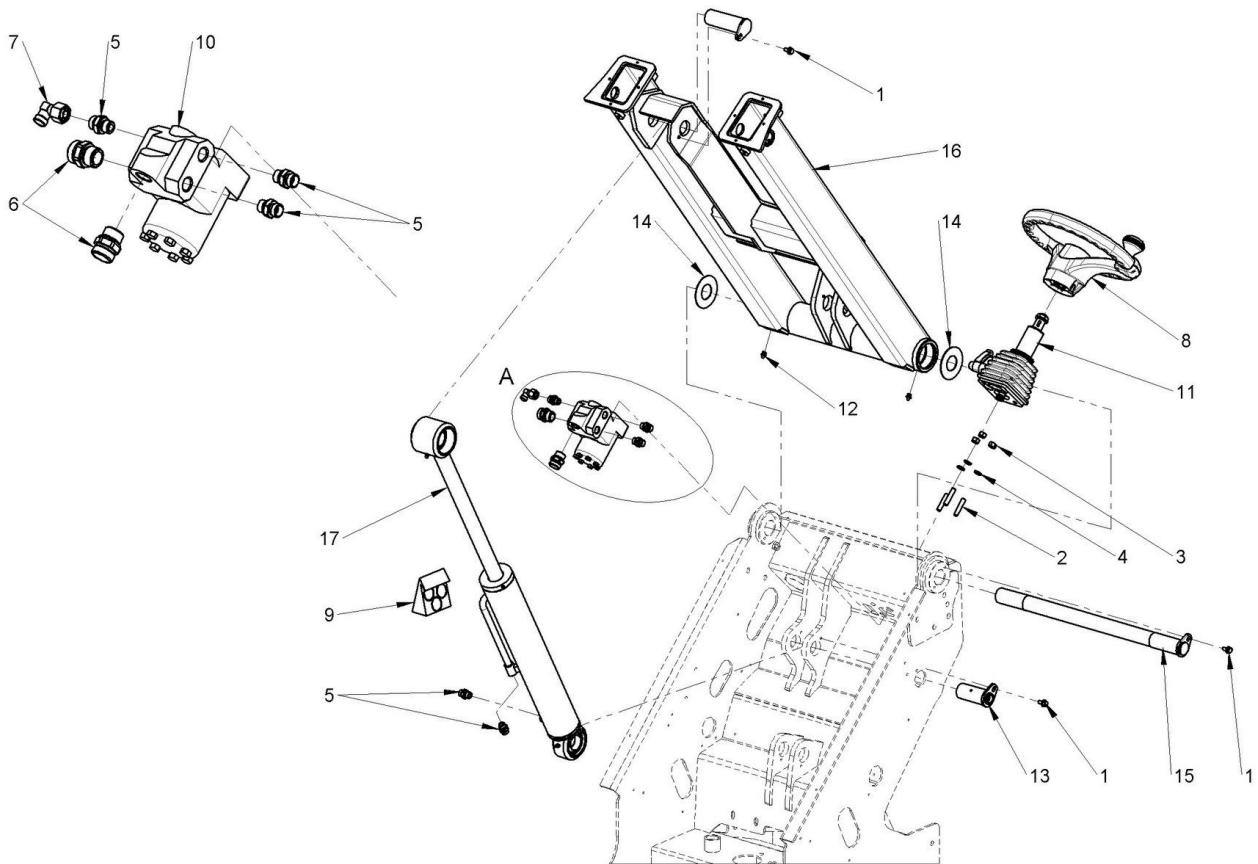
Component list [TAV. 07 M1 6-7-8 ARTICULATION]

Pos.	Code	Description	Q.ty
1	C018310	BORES SEEGER RING İ62 DIN 472	4.00000
2	C019201	HEXAGON FLANGE BOLT M8x16 DIN 6921	2.00000
3	C020295	SCREW TSP 10.9 M8X16	4.00000
4	C020548	HEXAGON SOCKET OVAL HEAD SCREW M6x20 ZN UNI/ISO 7380	3.00000
5	C023110	PLAIN WASHER LARGE SERIES M6 6.5X18X1.5 DIN9021	1.00000
6	C028271	THREAD INSERT M6	3.00000
7		{{>desc}}	1.00000
8	C037637	GE 35 FO 2RS RADIAL SPHERICAL PLAIN BEARING	2.00000
9	C090030	GREASER M10X1 UNI 7663A	4.00000
10	C230164	Ø30x66 PIN	2.00000
11	C230166	FLANGED PIN Ø35 L=73	2.00000
12	C281600	REAR FRAME	1.00000
13	C281660	FRONT FRAME M1 6-7-8	1.00000
14	C281744	POWER STEERING CYLINDER	1.00000
15	C281783	POWER STEERING CYLINDER PROTECTION COVER	1.00000



Component list [TAV. 08 M1 7.2 MUFFLER, BATTERY AND AIR FILTER]

Pos.	Code	Description	Q.ty
1	C029031	CLAMP MEB 12 INOX 40-60	2.00000
2	C029254	BATTERY CUSHION	1.00000
3	C036018	AIR INTAKE PIPE	1.00000
4	C036433	BATTERY 12V 44 AH	1.00000
5	C039054	4" AIR FILTER BODY	1.00000
6	C039058	4" AIR FILTER ELEMENT	1.00000
7	C039100	90° AIR PIPE 4" / 144 MALE	1.00000
8	C039151	MOUNTING BAND FOR 4" AIR FILTER	1.00000
9	C039202	MUFFLER FOR M1 6/7.2 SERIES YANMAR	1.00000
10	C281634	RIGHT ENGINE COOLER SUPPORT REV.04	1.00000
11	C281636	LEFT ENGINE COOLER SUPPORT REV.05	1.00000
12	C281637	UPPER ENGINE COOLER SUPPORT	1.00000
13	C281641	AIR FILTER SUPPORT	1.00000
14	C281699	M1 6.3 BATTERY BRACKET	1.00000



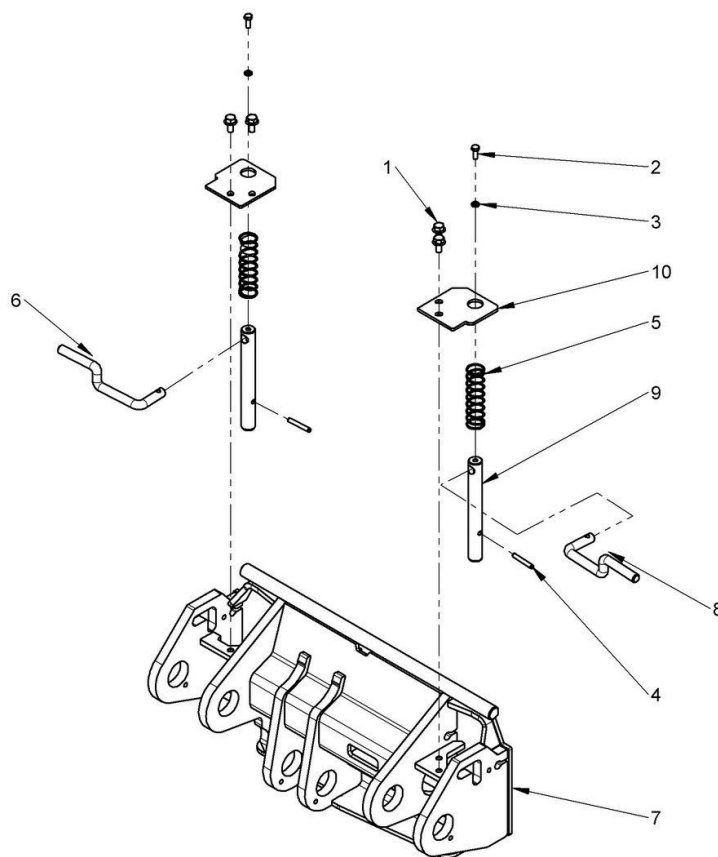
Component list [TAV. 09 M1 7-8 LIFTING BOOM AND POWER STEERING]

Pos.	Code	Description	Q.ty
1	C019201	HEXAGON FLANGE BOLT M8x16 DIN 6921	3.00000
2	C020551	THREAD BAR M10X50	3.00000
3	C021503	SELF-LOCKING HEXAGONAL NUT M10 ZN DIN980	3.00000
4	C023080	FLAT WASHER X M10 10.5X20X2	3.00000
5	C033001	NIPPLES 3/8" G / 12L	5.00000
6	C033003	NIPPLES 1/2" G / 15L	2.00000
7	C033024	ELBOW FITTING F12L ORIENT. /M12L	1.00000
8	C036465	STEERING WHEEL BLUE	1.00000
9		{{>desc}}	1.00000
10	C038510	STEERING UNIT S/SL/GT>2007/MIG 80CC	1.00000
11	C038517	ADJUSTING STEERING COLUMN L=150	1.00000
12	C090030	GREASER M10X1 UNI 7663A	2.00000
13	C272222	FLANGED PIN Ø40X90 CYLINDER FOR LIFTING BOOM	1.00000
14	C274024	Ø88-Ø40,5 TH 1,5 SPACER	2.00000
15	C281623	Ø40x635 PIN	1.00000
16	C282340	TELESCOPIC BOOM FIXED PART	1.00000



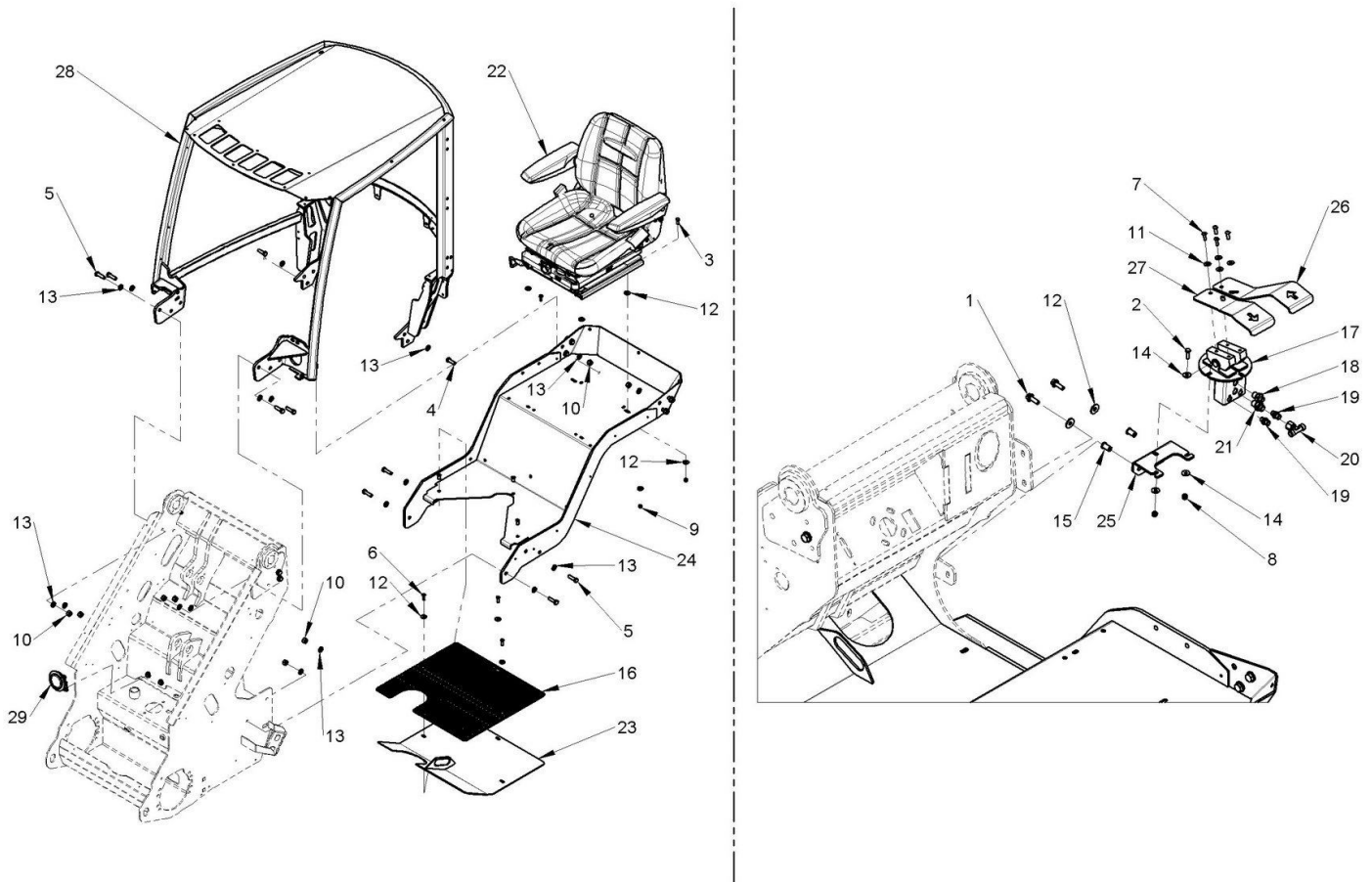
Draft and part list report
Serial n / code M331494 / C962015
Description MULTIONE 7.2

17	C283098	LIFTING BOOM CYLINDER	1.00000
18	C281799	PIN Ĩ40 L=120	1.00000



Component list [TAV. 10 M1 6-7-8 COUPLING PLATE]

Pos.	Code	Description	Q.ty
1	C019201	HEXAGON FLANGE BOLT M8x16 DIN 6921	4.00000
2	C020050	HEXAGON HEAD PIPE PLUG M6X16 UNI 5739	2.00000
3	C023040	M6 NORD LOCK WASHER	2.00000
4	C028267	SPRING TYPE STRAIGHT PIN ĩ6x40 UNI 6875	2.00000
5	C220330	COMPRESSION SPRING	2.00000
6	C281827	LEFT LEVER, COUPLING PLATE	1.00000
7	C281860	COUPLING PLATE	1.00000
8	C281869	RIGHT LEVER, COUPLING PLATE	1.00000
9	C281870/L	LOCKIN ATTACHMENTS PIN	2.00000
10	C281871	CENTERING PIN PLATE	2.00000



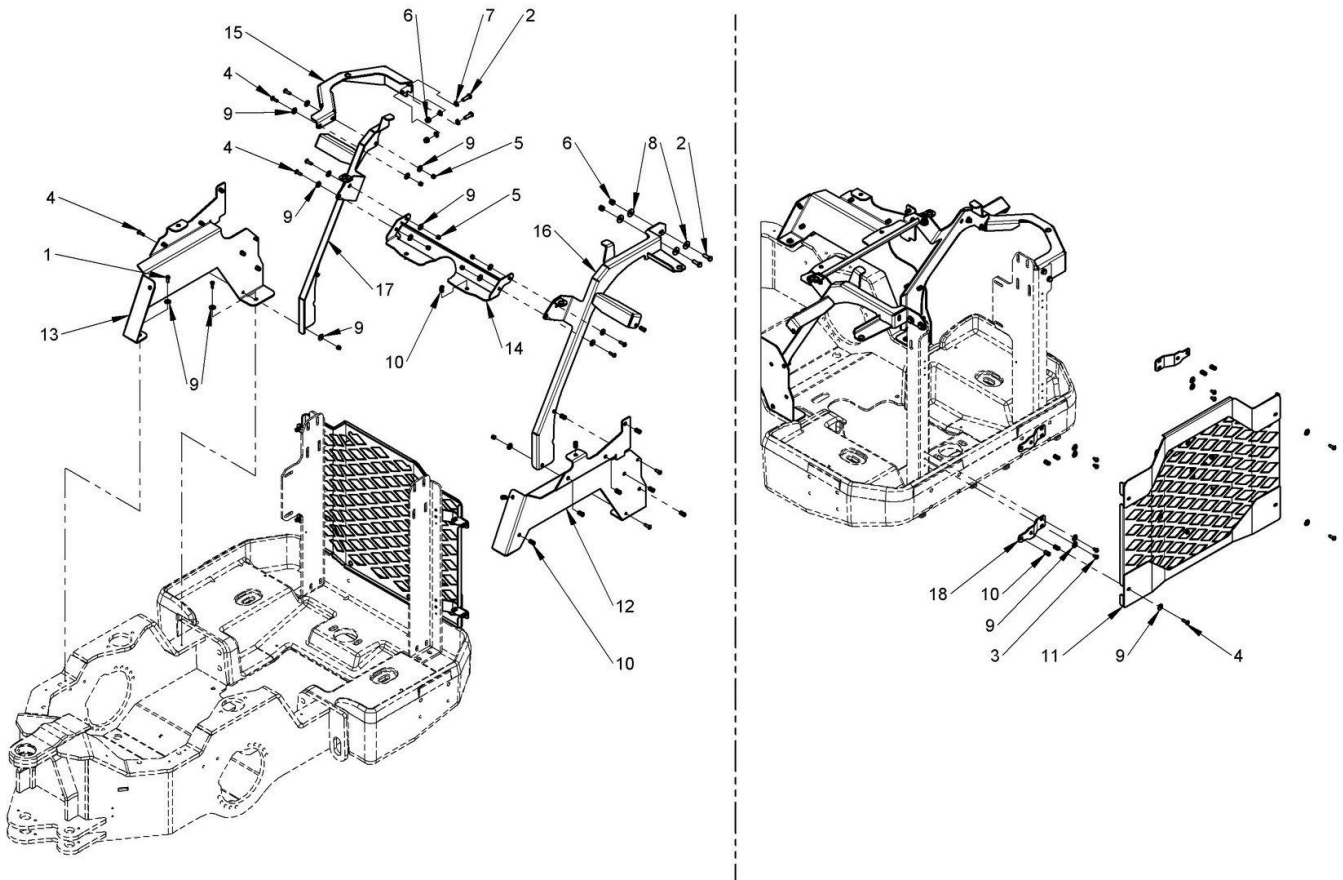
Component list [TAV. 11 M1 7.2 ROLLBAR, SEAT AND PEDALS]

Pos.	Code	Description	Q.ty
1	C019203	HEXAGON FLANGE BOLT M8X25 ISO 1665	2.00000
2	C020051	ISO 4017 M6x20 SCREW	2.00000
3	C020072	HEXAGON HEAD BOLT 8.8 M8X20 UNI 5739	4.00000
4	C020133	{{>desc}}	10.00000
5	C020139	HEXAGON HEAD SCREW M12x40 UNI 4017	8.00000
6	C020543	HEXAGON SOCKET OVAL HEAD SCREW M8x25 ISO 7380	3.00000
7	C020547	HEXAGON SOCKET OVAL HEAD SCREW M5x16 ISO 7380	4.00000
8	C021104	PREVAILING TORQUE-TYPE HEXAGONAL NUTS WITH POLYAMIDE RING M6 UNI 7473	2.00000
9	C021502	SLOTTED AND CASTLE HEXAGON NUTS M8 DIN980	4.00000
10	C021504	SELF BRAKING NUT M12 DIN 980	14.00000
11	C023098	PLAIN WASHER LARGE SERIES M5 DIN 9021	4.00000
12	C023100	PLAIN WASHER LARGE SERIES M8 DIN 9021	13.00000
13	C023102	PLAIN WASHER M12 UNI 6592	32.00000
14	C023110	PLAIN WASHER LARGE SERIES M6 6.5X18X1.5 DIN9021	4.00000
15	C028270	THREAD INSERT M8	5.00000
16	C029259	ROOF PADS FOR MULTIONE M1	1.00000



Draft and part list report
Serial n / code M331494 / C962015
Description MULTIONE 7.2

17	C030729	TWIN PEDAL CONTROL BLOCK W/OUT PEDAL	1.00000
18	C033007	NIPPLES 1/4"" GAS / 6L	1.00000
19	C033008	NIPPLES 1/8"" GAS / 6L	2.00000
20	C033086	TEES-CONNECTION M-F-M 8L	1.00000
21	C033134	NIPPLES 1/4GAS-8L	1.00000
22	C036751	FULL SUSPENSION SEAT FOR MULTIONE 2009 BLUE	1.00000
23	C281747	UNDER FEET PLATFORM	1.00000
24	C281763	FIXING BASE SEAT M1 6->10	1.00000
25	C281766	PEDAL CONTROL BLOCK SUPPORT	1.00000
26	C281767	FORWARD PEDAL	1.00000
27	C281768	BACKWARDS PEDAL	1.00000
28	C282200	ROLL-BAR FRAME REV.16	1.00000
29	FF180/135007	HORN DEVICE	1.00000



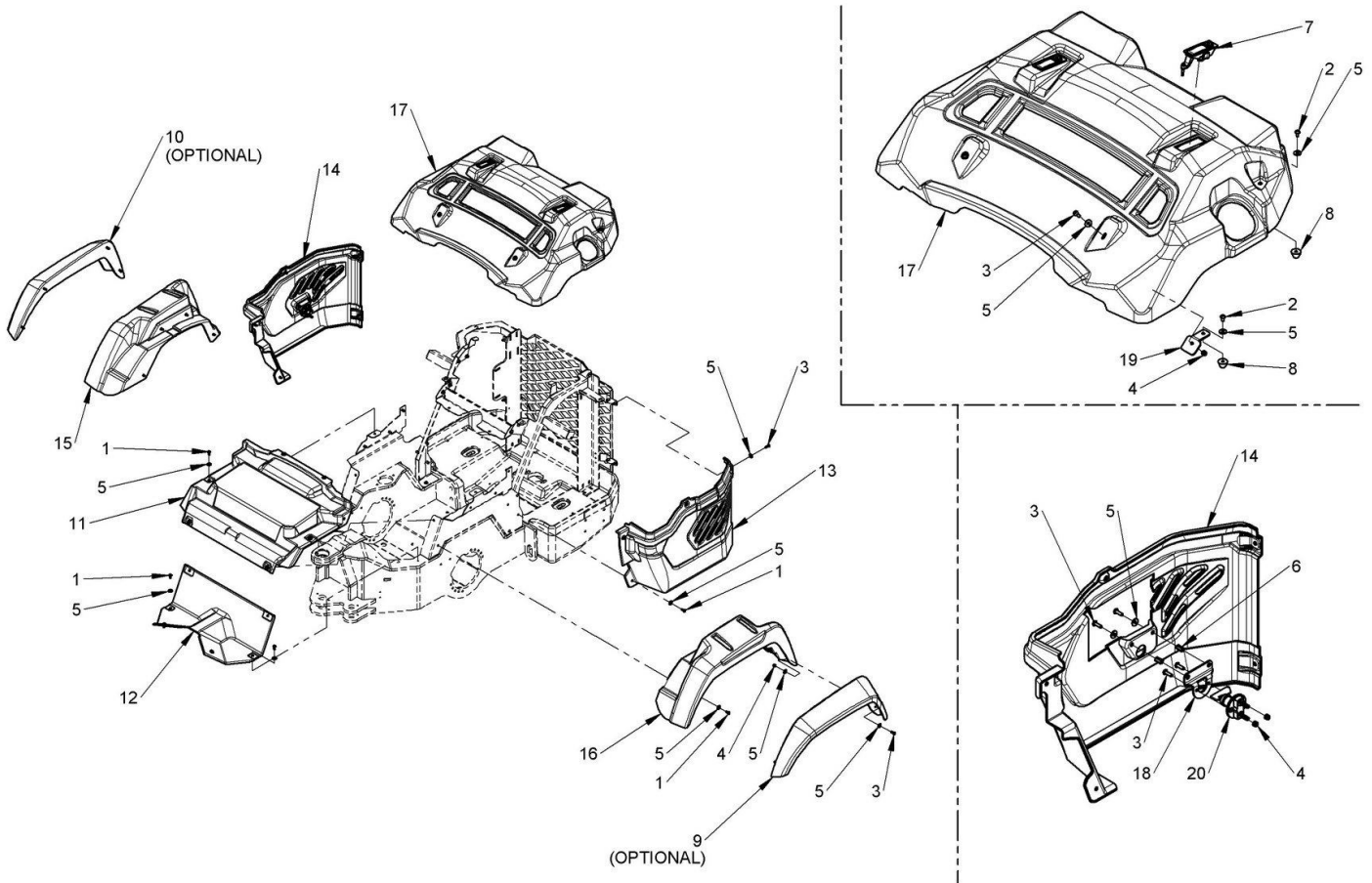
Component list [TAV. 12 M1 7-8 REAR PLASTIC COVER SUPPORT]

Pos.	Code	Description	Q.ty
1	C020050	HEXAGON HEAD PIPE PLUG M6X16 UNI 5739	6.00000
2	C020073	HEXAGON HEAD SCREW 8.8 M8x25 UNI EN ISO 4017	4.00000
3	C020542	HEXAGON SOCKET OVAL HEAD SCREW M6x12 ZN ISO 7380	8.00000
4	C020548	HEXAGON SOCKET OVAL HEAD SCREW M6x20 ZN UNI/ISO 7380	12.00000
5	C021104	PREVAILING TORQUE-TYPE HEXAGONAL NUTS WITH POLYAMIDE RING M6 UNI 7473	8.00000
6	C021502	SLOTTED AND CASTLE HEXAGON NUTS M8 DIN980	4.00000
7	C023071	PLAIN WASHER M8 8.4x16x1.6 UNI6592	4.00000
8	C023100	PLAIN WASHER LARGE SERIES M8 DIN 9021	4.00000
9	C023110	PLAIN WASHER LARGE SERIES M6 6.5X18X1.5 DIN9021	30.00000
10	C028271	THREAD INSERT M6	30.00000
11	C283067	RADIATOR NET	1.00000
12	C281875	LEFT MUDGUARD SUPPORT	1.00000
13	C281876	RIGHT MUDGUARD COVER SUPPORT	1.00000
14	C281880	REAR CENTRAL COVER SUPPORT	1.00000
15	C281881	MUFFLER SIDE COVER SUPPORT	1.00000
16	C281887	REAR LEFT COVER SUPPORT	1.00000



Draft and part list report
Serial n / code M331494 / C962015
Description MULTIONE 7.2

17	C281888	REAR RIGHT COVER SUPPORT	1.00000
18	C281891	REAR NET AND SIDE COVER SUPPORT	4.00000



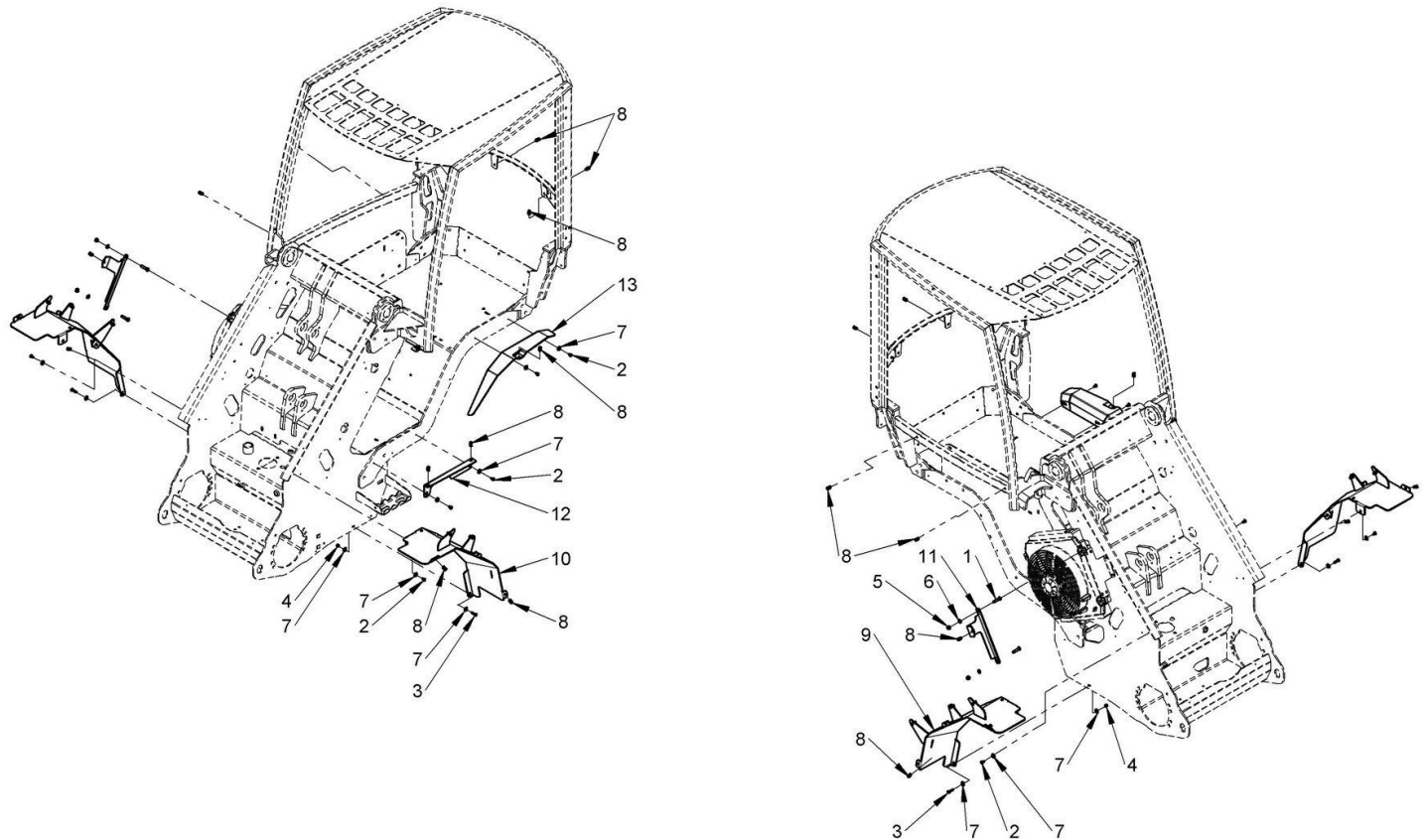
Component list [TAV. 13 M1 7-8 REAR PLASTIC COVER]

Pos.	Code	Description	Q.ty
1	C020145	HEXAGON SOCKET OVAL HEAD SCREW M6x16 ISO 7380	22.00000
2	C020542	HEXAGON SOCKET OVAL HEAD SCREW M6x12 ZN ISO 7380	4.00000
3	C020548	HEXAGON SOCKET OVAL HEAD SCREW M6x20 ZN UNI/ISO 7380	20.00000
4	C021104	PREVAILING TORQUE-TYPE HEXAGONAL NUTS WITH POLYAMIDE RING M6 UNI 7473	12.00000
5	C023110	PLAIN WASHER LARGE SERIES M6 6.5X18X1.5 DIN9021	52.00000
6	C028271	THREAD INSERT M6	2.00000
7	C035099	LOCK HANDLE	2.00000
8	C035142	PARABOLIC SILENT BLOCK İ24 H=16	4.00000
9	C041414	REAR LEFT MUD GUARD EXTENSION	1.00000
10	C041415	REAR RIGHT MUD GUARD EXTENSION	1.00000
11	C041419	OVER PUMPS COVER	1.00000
12	C041420	OVER ARTICULATION COVER	1.00000
13	C041421	REAR LEFT SIDE COVER	1.00000
14	C041422	REAR RIGHT SIDE COVER	1.00000
15	C041447	REAR RIGHT MUDGUARD ASSEMBLY	1.00000
16	C041448	REAR LEFT MUDGUARD ASSEMBLY	1.00000



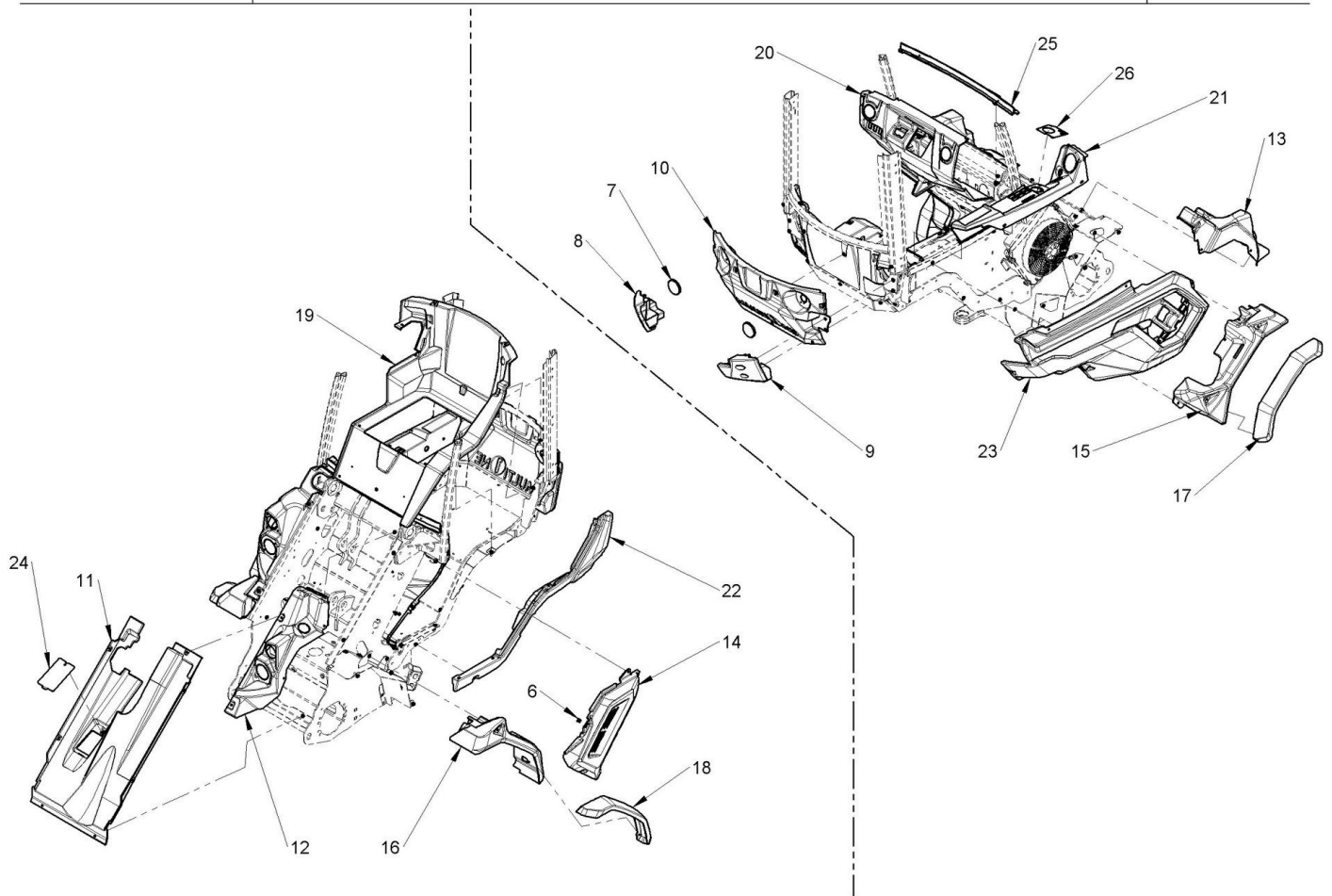
Draft and part list report
Serial n / code M331494 / C962015
Description MULTIONE 7.2

17	C041472	ENGINE HOOD ASSY	1.00000
18	C281889	BATTERY SWITCH SUPPORT	1.00000
19	C282241	SILENT BLOCK BRACKET	2.00000
20	FF180/0034.0303	BATTERY SWITCH	1.00000



Component list [TAV. 14 M1 7-8 FRONT PLASTIC COVER SUPPORT]

Pos.	Code	Description	Q.ty
1	C020076	HEX SCREW TE 8.8 M8X35 ZB UNI 5739	2.00000
2	C020542	HEXAGON SOCKET OVAL HEAD SCREW M6x12 ZN ISO 7380	8.00000
3	C020546	HEXAGON SOCKET OVAL HEAD SCREW M6x25 ISO 7380	2.00000
4	C021104	PREVAILING TORQUE-TYPE HEXAGONAL NUTS WITH POLYAMIDE RING M6 UNI 7473	2.00000
5	C021502	SLOTTED AND CASTLE HEXAGON NUTS M8 DIN980	2.00000
6	C023071	PLAIN WASHER M8 8.4x16x1.6 UNI6592	2.00000
7	C023110	PLAIN WASHER LARGE SERIES M6 6.5X18X1.5 DIN9021	12.00000
8	C028271	THREAD INSERT M6	30.00000
9	C281883	RIGHT MUDGUARD ASSEMBLY	1.00000
10	C281884	LEFT MUDGUARD ASSEMBLY	1.00000
11	C281892	FRONT RIGHT COVER SUPPORT	1.00000
12	C281894	SUPPORT FOR PLASTIC STEP FRAME M1 3->10	1.00000
13	C281895	UNDER SEAT COVER SUPPORT REV.01	1.00000



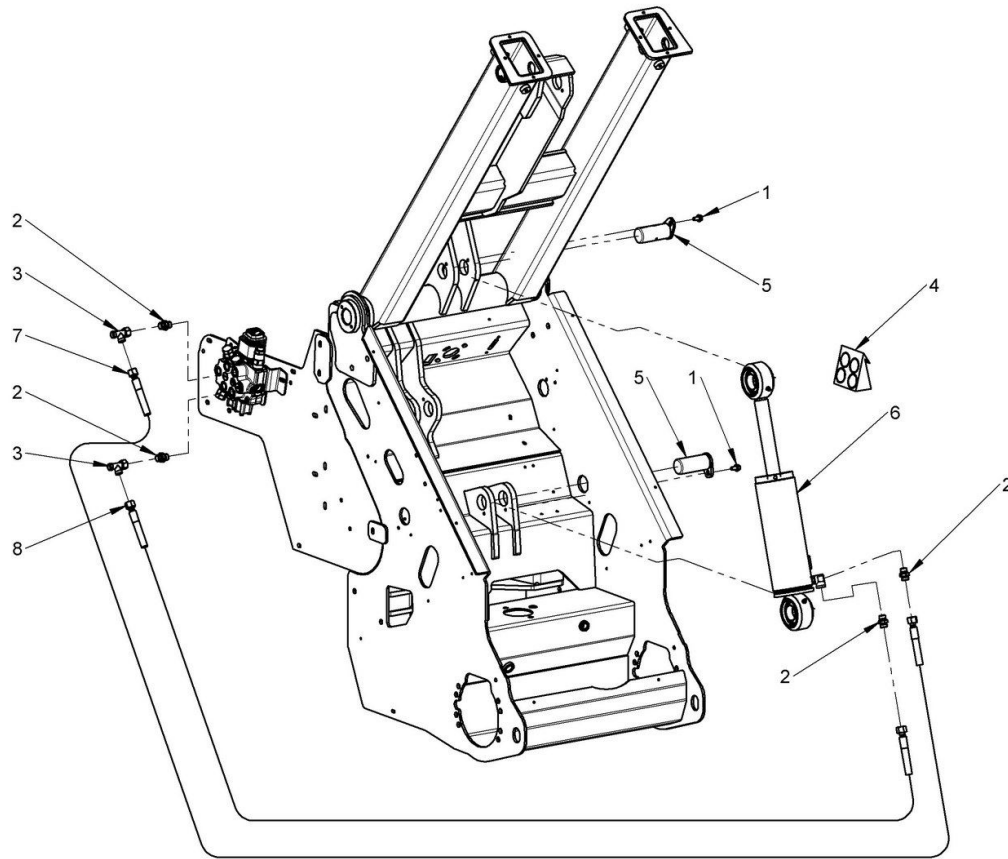
Component list [TAV. 15 FRONT PLASTIC COVER]

Pos.	Code	Description	Q.ty
1	C020145	HEXAGON SOCKET OVAL HEAD SCREW M6x16 ISO 7380	38.00000
2	C020546	HEXAGON SOCKET OVAL HEAD SCREW M6x25 ISO 7380	3.00000
3	C020548	HEXAGON SOCKET OVAL HEAD SCREW M6x20 ZN UNI/ISO 7380	32.00000
4	C021104	PREVAILING TORQUE-TYPE HEXAGONAL NUTS WITH POLYAMIDE RING M6 UNI 7473	3.00000
5	C023110	PLAIN WASHER LARGE SERIES M6 6.5X18X1.5 DIN9021	76.00000
6	C028285	MULTITHREAD U-TYPE NUT M6	12.00000
7	C034018	Ø80 RED RETRO REFLECTOR	2.00000
8	C041386	LEFT RUBBER PROTECTION MK-MZ	1.00000
9	C041387	RIGHT RUBBER PROTECTION MK-MZ	1.00000
10	C041427	BACK CABIN COVER WITH NO A/C	1.00000
11	C041428	UNDER BOOM COVER	1.00000
12	C041429	FRONT LEFT LIGHT SUPPORT	1.00000
13	C041430	FRONT RIGHT LIGHT SUPPORT	1.00000
14	C041431	FRONT LEFT SIDE COVER	1.00000
15	C041432	FRONT RIGHT WHEEL BOX	1.00000
16	C041433	FRONT LEFT WHEEL BOX	1.00000



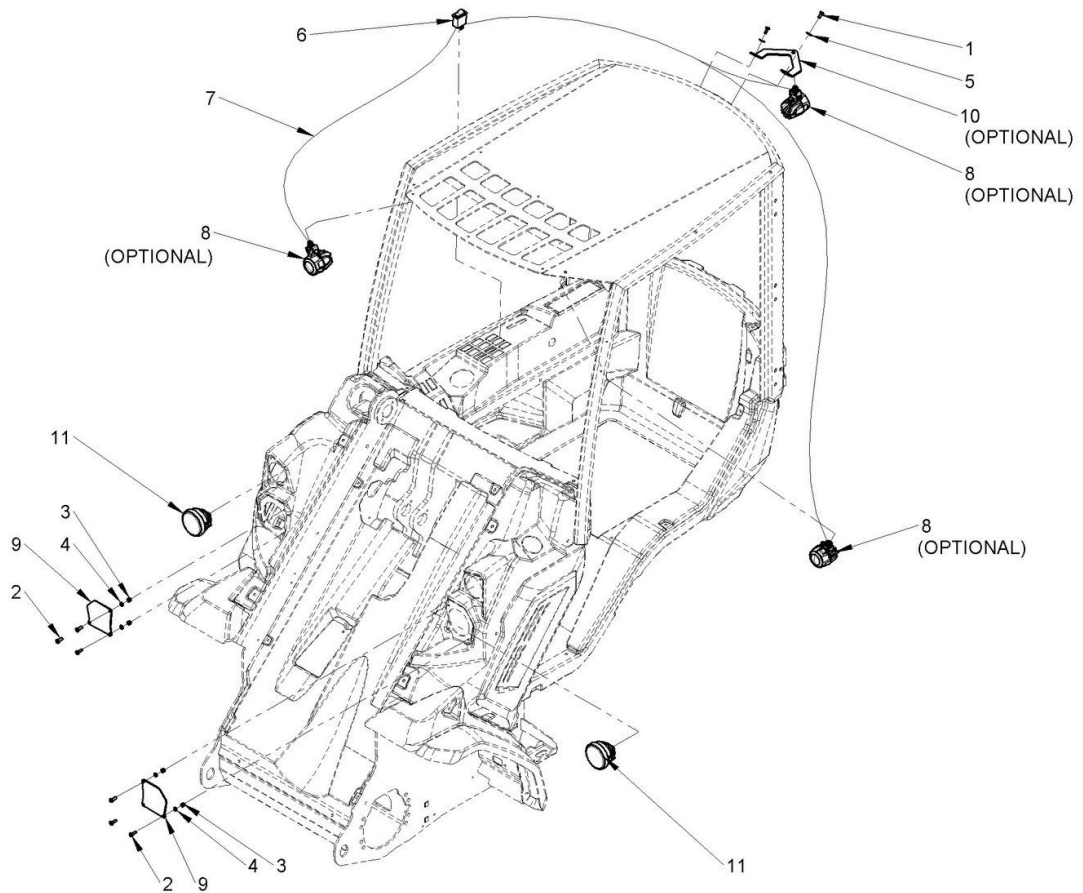
Draft and part list report
Serial n / code M331494 / C962015
Description MULTIONE 7.2

17	C041434	FRONT RIGHT MUD GUARD EXTENSION	1.00000
18	C041435	FRONT LEFT MUD GUARD EXTENSION	1.00000
19	C041437	UNDER SEAT COVER	1.00000
20	C041438	FRONT DASHBOARD COVER	1.00000
21	C041441	{{>desc}}	1.00000
22	C041443	LEFT DOOR SLAM	1.00000
23	C041446	COMPOSED FRONT RIGHT SIDE	1.00000
24	C281893	OIL TANK INSPECTION DOOR	1.00000
25	C282239	FRONT GLASS SUPPORT	1.00000
26	C282274	JOYSTICK BASEMENT TAG	1.00000



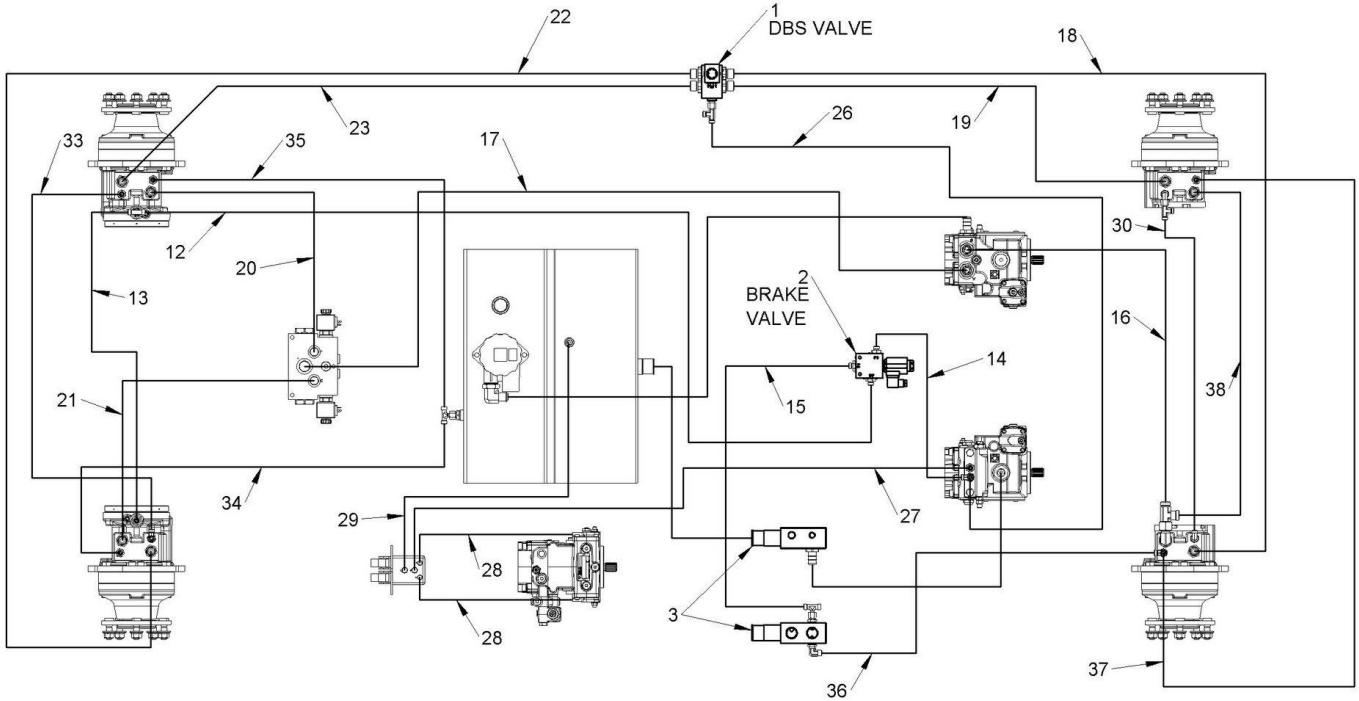
Component list [TAV. 16 M1 7-8 SELF LEVELING]

Pos.	Code	Description	Q.ty
1	C019201	HEXAGON FLANGE BOLT M8x16 DIN 6921	2.00000
2	C033001	NIPPLES 3/8" G / 12L	4.00000
3	C033032	T-CONNECTION F-M-M 12L	2.00000
4		{{>desc}}	1.00000
5	C272222	FLANGED PIN Ø40X90 CYLINDER FOR LIFTING BOOM	2.00000
6	C281772	90-35-177 SELF-LEVELING CYLINDER M1 7-8 M1 SD 7-8	1.00000
7	C810367/28	TUBO 3/8, FD12L-FD12L, L=1600HOSE 3/8, FD12L-FD12L, L=1600	2.00000
8	C810367/29	TUBO 3/8, FD12L-FD12L, L=1500HOSE 3/8, FD12L-FD12L, L=1500	2.00000



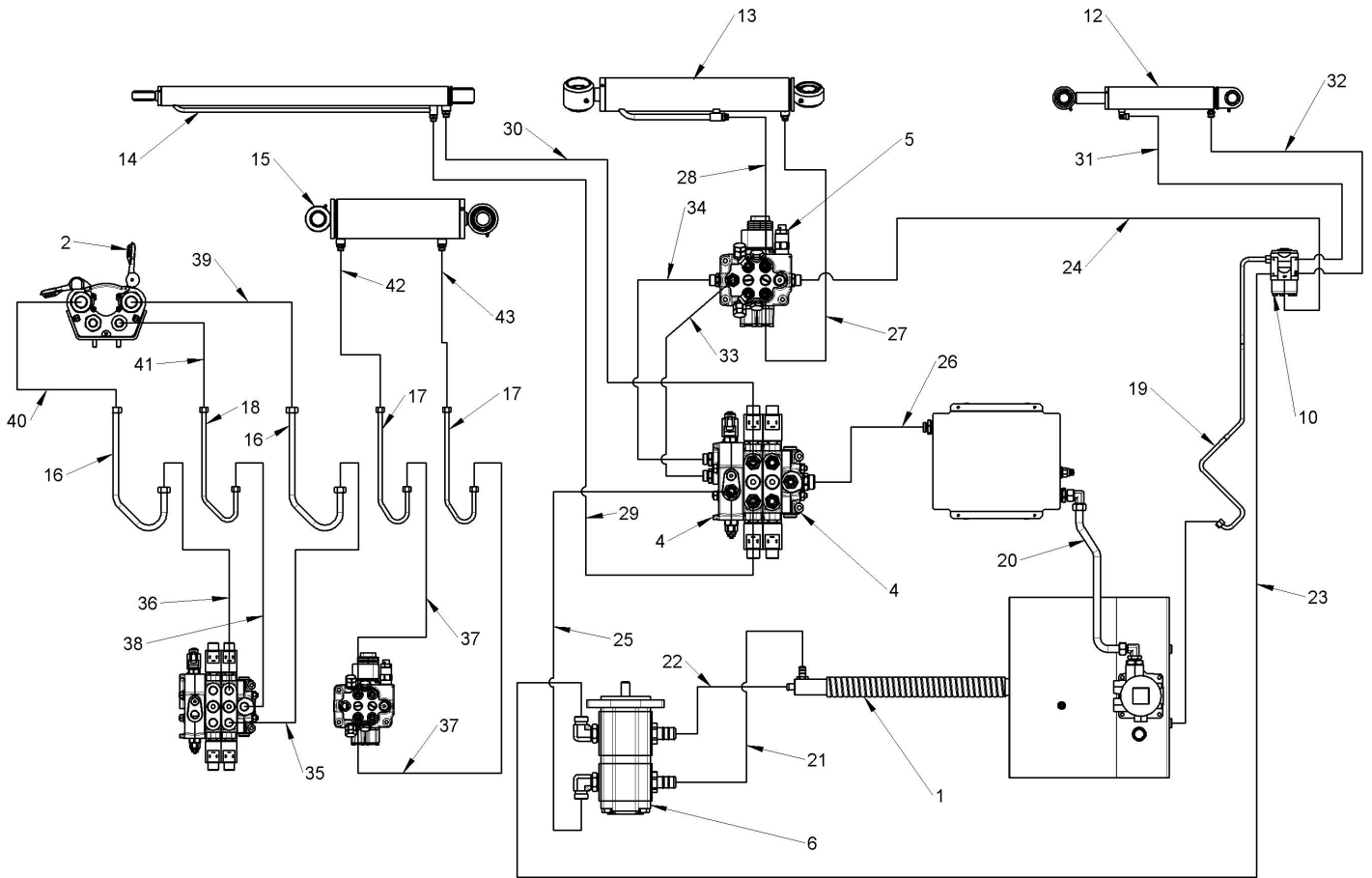
Component list [TAV. 17 M1 6-7-8 STANDARD AND OPTIONAL WORK LIGHT]

Pos.	Code	Description	Q.ty
1	C020145	HEXAGON SOCKET OVAL HEAD SCREW M6x16 ISO 7380	2.00000
2	C020548	HEXAGON SOCKET OVAL HEAD SCREW M6x20 ZN UNI/ISO 7380	6.00000
3	C021104	PREVAILING TORQUE-TYPE HEXAGONAL NUTS WITH POLYAMIDE RING M6 UNI 7473	6.00000
4	C023090	FLAT WASHER M6 6.4x12x1.6 UNI 6592	6.00000
5	C023110	PLAIN WASHER LARGE SERIES M6 6.5X18X1.5 DIN9021	2.00000
6	C036159	ADDITIONAL WORK LIGHT SWITCH	1.00000
7	C038030	3 WORKING LIGHT ON ROOF FOR M1 WIRING	1.00000
8	C036101	LED WORKING LIGHT WITH BRACKET	3.00000
9	C281604	ROAD HOLE BLINDING PLATE	2.00000
10	C282236	BACK WORK LIGHT SUPPORT	1.00000
11	FF180/05.0697.0000.03	FRONT WORKING LIGHT, HALOGEN	2.00000



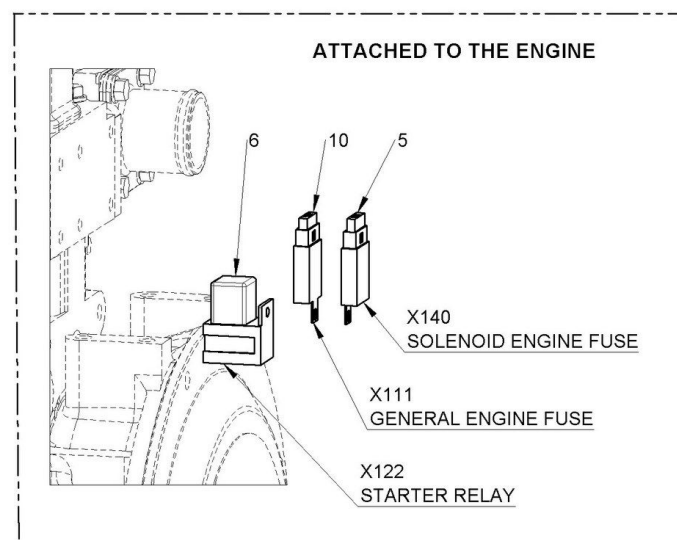
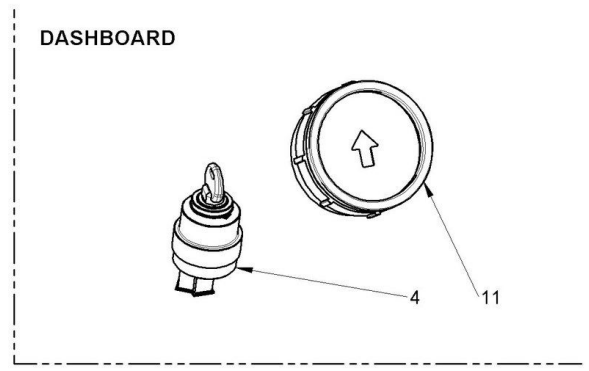
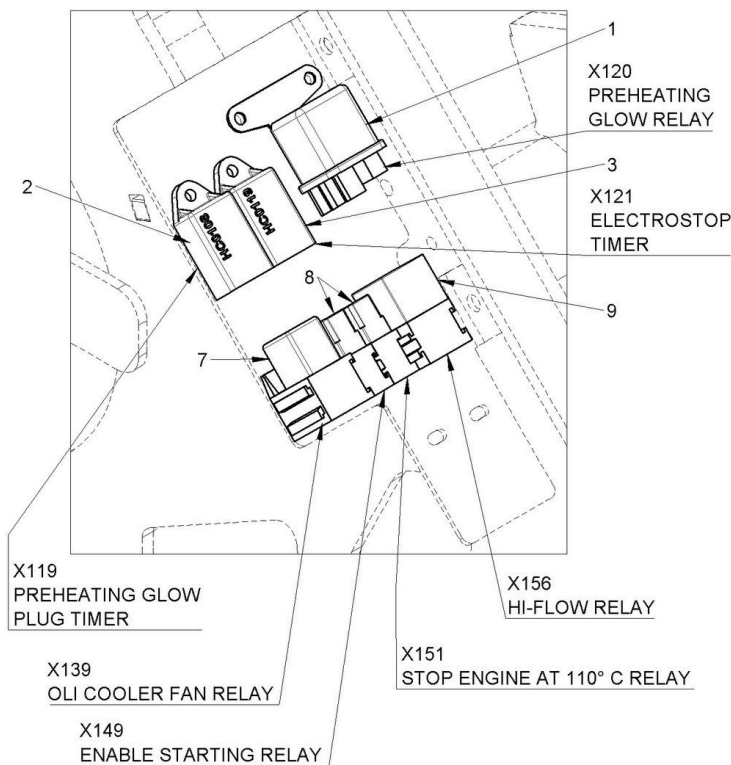
Component list [TAV. 18 M1 7-8 HYDRAULIC TRANSMISSION]

Pos.	Code	Description	Q.ty
1	C031052	DBS TRANSMISSION VALVE	1.00000
2	C036621	ELECTROVALVE 3WAY G3/8 12V DC	1.00000
3	C274183	INTAKE OIL COLLECTOR	2.00000



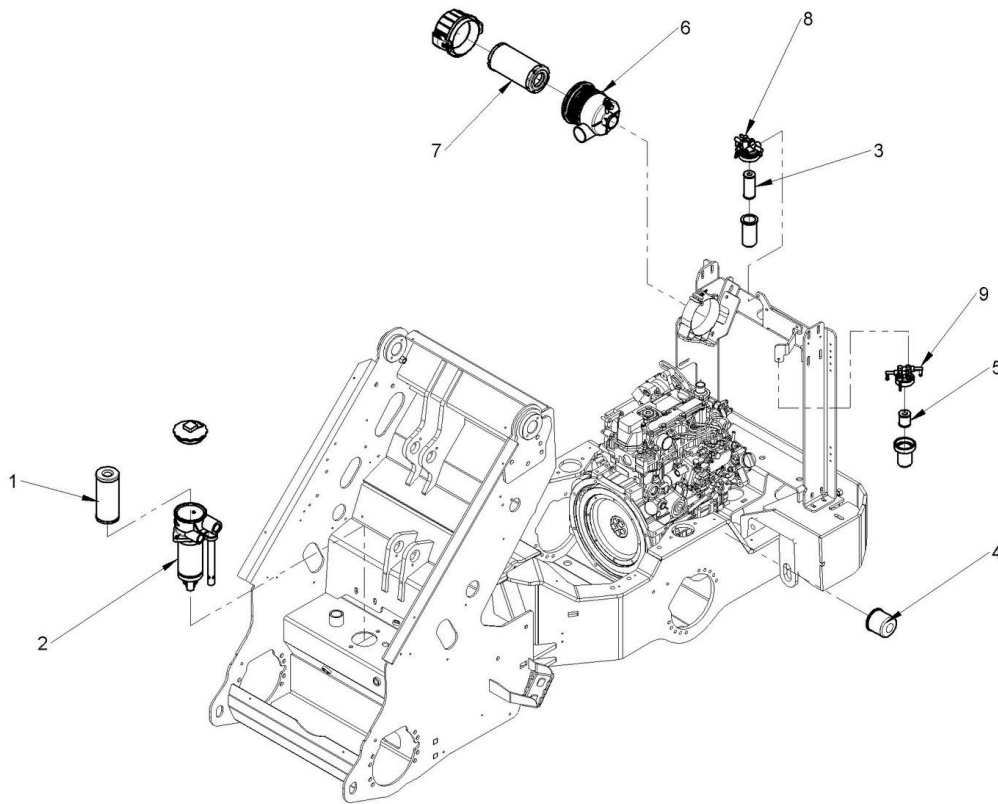
Component list [TAV. 20 M1 7-8 SERVICE HYDRAULIC PLANT]

Pos.	Code	Description	Q.ty
1	C030120	SUCTION PIPE $\varnothing 38\text{-}\varnothing 47 \times 420$	1.00000
2	C030480	HYDRAULIC MULTICONNECTOR, FIX 3 WAY	1.00000
3	C030588	OIL COOLER FOR MULTIONE S/SL800 SERIES	1.00000
4	C030778	2 SECTION ELECTRIC HYDR DISTRIBUTOR	2.00000
5	C030779	2 SECTION HYDR DISTRIBUTOR	2.00000
6	C030989	20+11 cc TWIN GEAR PUMP	1.00000
7	C033001	NIPPLES 3/8" G / 12L	6.00000
8	C033300	STRAIGHT HOSE CONNECTOR 3/4" FOR 3/4" HOSE	3.00000
9	C036628	FILTER ASSY FOR SL800P/S500/600 2! GEN	1.00000
10	C038510	STEERING UNIT S/SL/GT>2007/MIG 80CC	1.00000
11	C274183	INTAKE OIL COLLECTOR	1.00000
12		CILINDRO STERZOPOWER STERING CYLINDER	1.00000
13		CILINDRO ALZATA BRACCIOLIFTING BOOM CYLINDER	1.00000
14		CILINDRO SFILU TELETELESCOPIC CYLINDER	1.00000
15		CILINDRO GIROPIASTRATILT PLATE CYLINDER	1.00000



Component list [TAV. 28 M1 6->9 ELECTRIC PARTS]

Pos.	Code	Description	Q.ty
1	FF163/119650-77911	RELE' DI PRERISCALDO MOTORE YANMAR	1.00000
2	FF163/128300-77920	TIMER CANDELETTE HC0108	1.00000
3	FF163/129211-77920	TIMER ELETTROSTOP HC0119	1.00000
4	FF180/0005.0061	BLOCCHETTO ACCENSIONE	1.00000
5	FF180/30.14.10021	FUSIBILE MAXI 30A	1.00000
6	FF180/30.45.09448	RELE' DI POTENZA CB1AH-12V/70A	1.00000
7	FF180/30.45.52003	RELE' MINI CON DIODO 12V	1.00000
8	FF180/30.45.520004	MICRO RELE'	2.00000
9	FF180/01171028	RELE'	1.00000
10	FF180/3013895	FUSIBILE MAXI 40A	1.00000
11	FF180/08700058.00	STRUMENTO MULTIFUNZIONE	1.00000



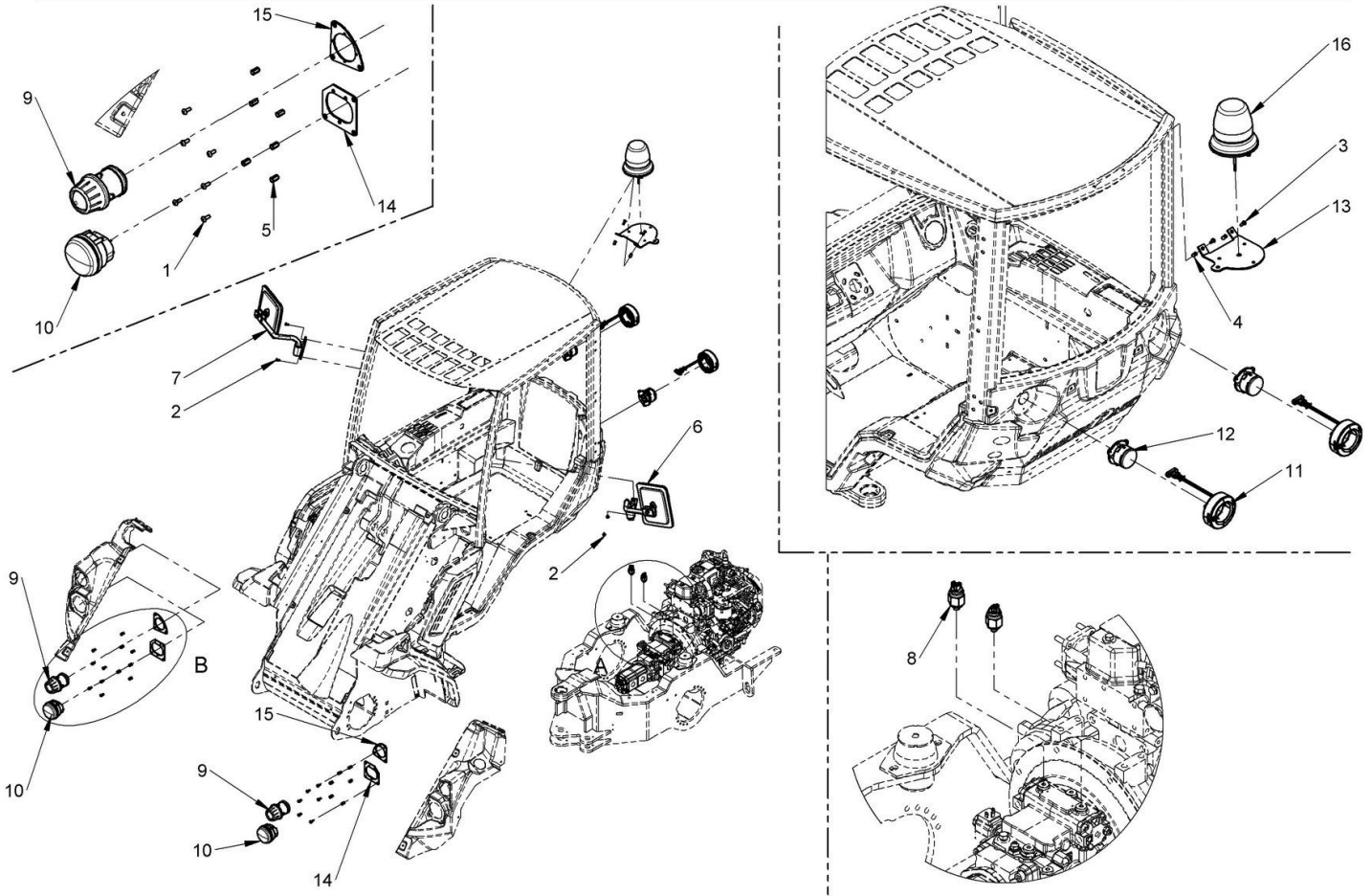
Component list [TAV. 29 M1 6.3 FILTERS]

Pos.	Code	Description	Q.ty
1	C036627	CARTRIDGE HYDRAULIC OIL FILTER FOR S500/S600/SL840P/SL800 2 \downarrow GEN	1.00000
2	C036628	FILTER ASSY FOR SL800P/S500/600 2 \downarrow GEN	1.00000
3	C039049	FUEL FILTER CARTRIDGE FOR A600Y,S26,S600Y	1.00000
4	C039050	OIL FILTER FOR YANMAR 3TNE68,3TNV76	1.00000
5	C039053	WATER SEPARATOR FILTER CARTRIDGE SL30,S25,S20,F25,F20,A600Y,S600,S26	1.00000
6	C039054	4" AIR FILTER BODY	1.00000
7	C039058	4" AIR FILTER ELEMENT	1.00000
8	FF163/119833-55620	COMPLETE FUEL FILTER ASSY FOR 3TNE78/82 3TNV76	1.00000
9	FF163/129335-55700	SEPARATOR WATER FILTER, COMPLETE TN \downarrow € 74>88	1.00000

M1 6-7-8

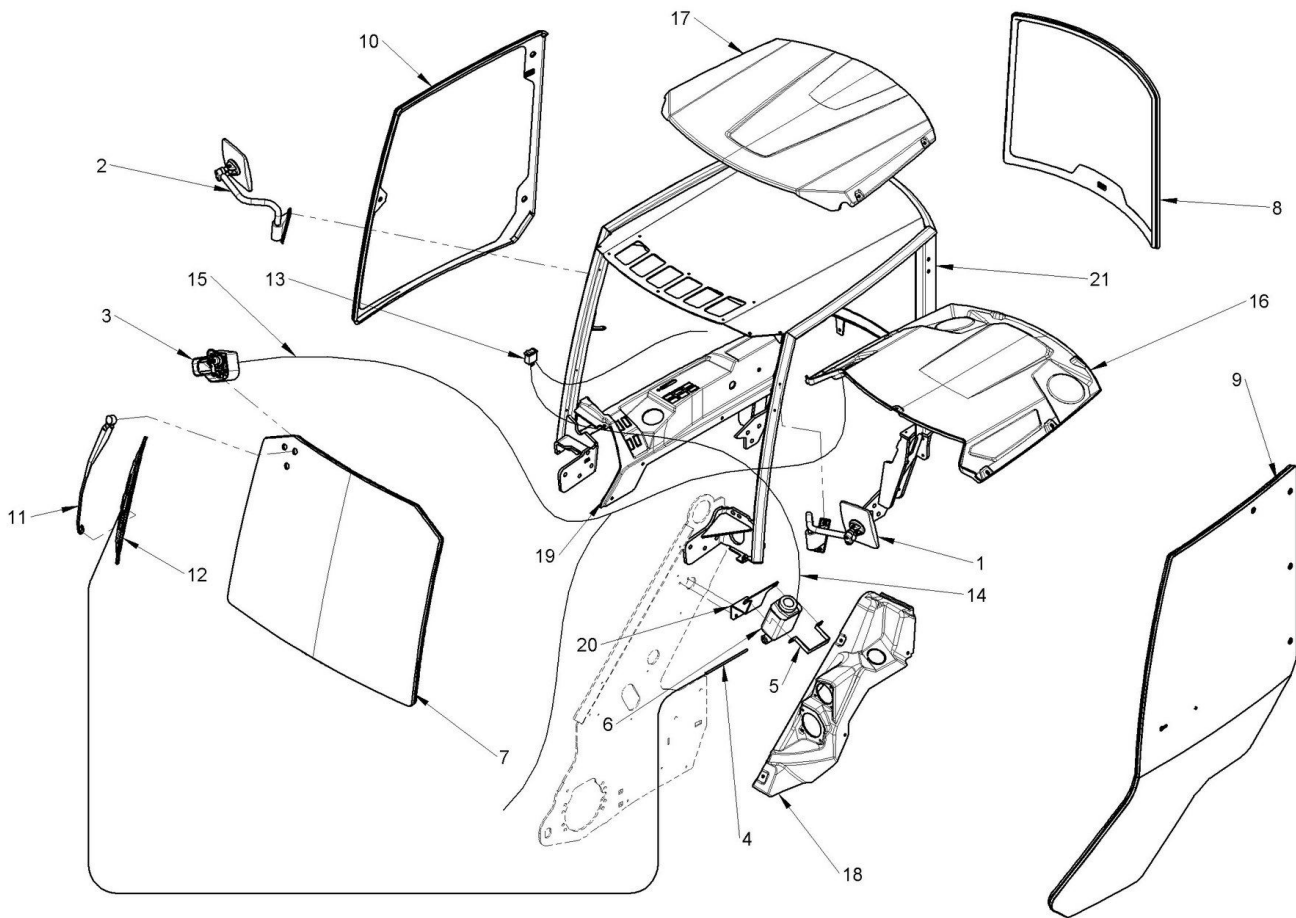
FARI STRADALI / ROAD LIGHT

Tav. 30



Component list [TAV. 30 M1 6-7-8 ROAD LIGHT KIT (OPTIONAL)]

Pos.	Code	Description	Q.ty
1	C020145	HEXAGON SOCKET OVAL HEAD SCREW M6x16 ISO 7380	12.00000
2	C020156	HEXAGON SOCKET COUNTERSUNK HEAD CAP SCREW M6x16 UNI 5933	4.00000
3	C020548	HEXAGON SOCKET OVAL HEAD SCREW M6x20 ZN UNI/ISO 7380	2.00000
4	C028271	THREAD INSERT M6	2.00000
5	C028271	THREAD INSERT M6	12.00000
6	C028021	LEFT REAR VIEW MIRROR FOR S600/SL800/GT900 CABIN	1.00000
7	C028022	RIGHT REAR VIEW MIRROR FOR S600/SL800/GT900 CABIN	1.00000
8	C036653	PRESSURE SWITCH 1/8GAS	2.00000
9	C044002	MK-MZ FRONT LIGHT	2.00000
10	C044003	MK-MZ TURNING LIGHT LED	2.00000
11	C044005	REAR LED LIGHT. STOP AND REAR LAMP	2.00000
12	C044006	REAR LED INDICATOR	2.00000
13	C282228	FLASHING AND REAR WORK LIGHT SUPPORT	1.00000
14	C282237	BRACKET FOR LIGHT	2.00000
15	C282238	BRACKET FOR HEADLAMP	2.00000
16	FF180/0001.1138	BEACON	1.00000



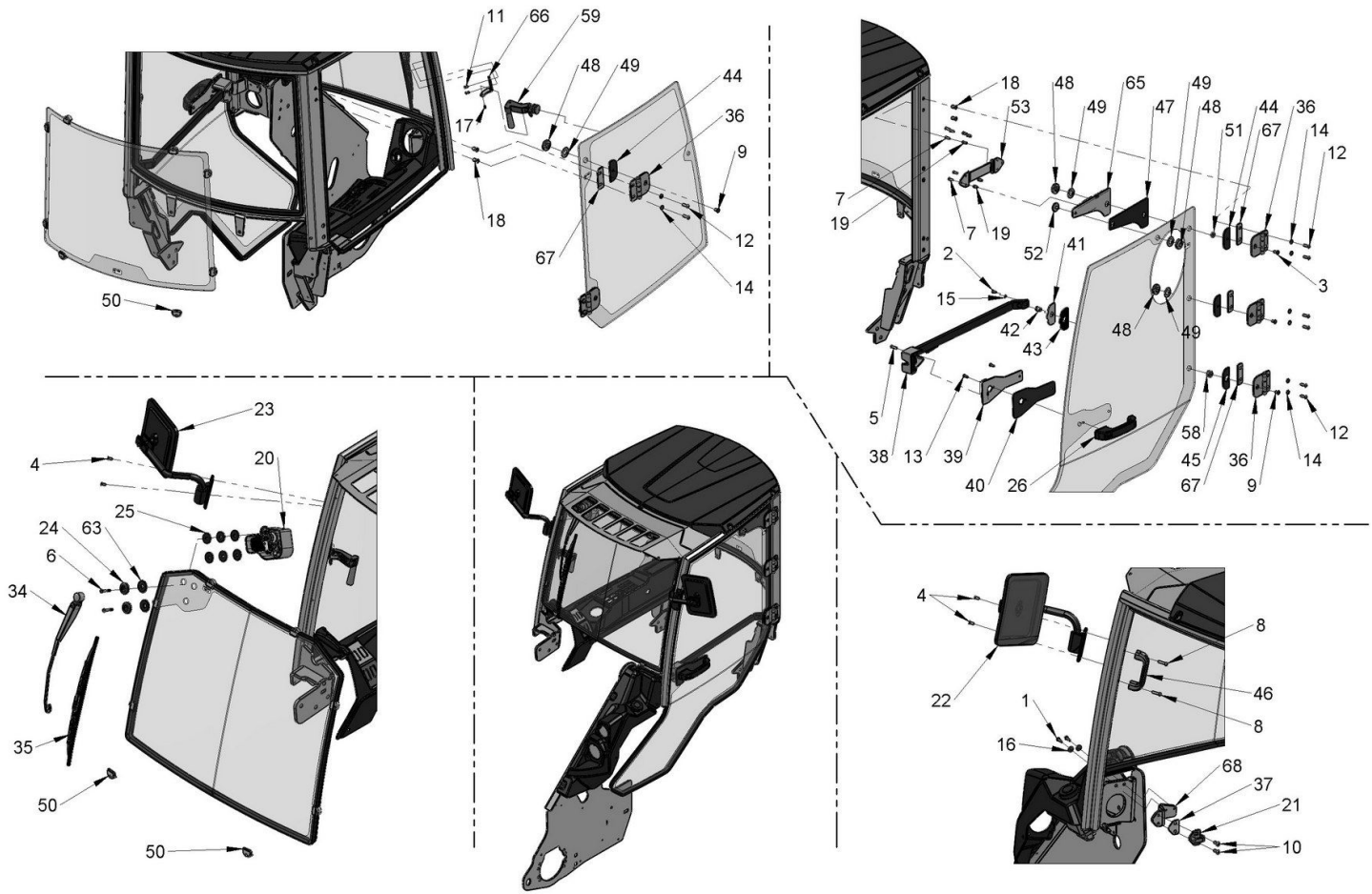
Component list [TAV. 31 M1 6-10 GLASS CABIN]

Pos.	Code	Description	Q.ty
1	C028021	LEFT REAR VIEW MIRROR FOR S600/SL800/GT900 CABIN	1.00000
2	C028022	RIGHT REAR VIEW MIRROR FOR S600/SL800/GT900 CABIN	1.00000
3	C034053	WINDSCREEN WIPER ENGINE ITG 12V 90° FOR CABIN	1.00000
4	C034082	GLASS WASHER PIPE TRANSPARENT 14X7	1.00000
5	C034090	COOLANT TANK BRACKET	1.00000
6	C034170	WIND SCREEN WASHER WATER TANK	1.00000
7	C034181	WINDSCREEN GLASS WITH SEAL M1 6->10	1.00000
8	C034182	REAR GLASS WITH SEAL M1 6->10	1.00000
9	C034183	DOOR GLASS WITH SEAL M1 6->10	1.00000
10	C034184	RIGHT SIDE GLASS WITH SEAL M1 6->10	1.00000
11	C034190	WIPER ARM FOR CABIN 5 -> 10	1.00000
12	C034191	WIPER BRUSH FOR CABIN 5 -> 10	1.00000
13	C036161	WINDSCREEN WASHER SWITCH	1.00000
14	C038031	WATER PUMP WIRING FOR WIPER M1	1.00000
15	C038093	WIPER WIRING	1.00000
16	C041423	UNDER ROOF COVER	1.00000



Draft and part list report
Serial n / code M331494 / C962015
Description MULTIONE 7.2

17	C041425	OVER ROOF COVER	1.00000
18	C041429	FRONT LEFT LIGHT SUPPORT	1.00000
19	C041436	RIGHT DASHBOARD	1.00000
20	C281601	PAN WIDESCREEN WASHER SUPPORT	1.00000
21	C282200	ROLL-BAR FRAME REV.16	1.00000



Component list [TAV. 32 M1 6-7-8 GLASS CABIN DETAILS (OPTIONAL)]

Pos.	Code	Description	Q.ty
1	C020051	ISO 4017 M6x20 SCREW	2.00000
2	C020145	HEXAGON SOCKET OVAL HEAD SCREW M6x16 ISO 7380	12.00000
3	C020155	M8X20 SCREW UNI5933	1.00000
4	C020156	HEXAGON SOCKET COUNTERSUNK HEAD CAP SCREW M6x16 UNI 5933	4.00000
5	C020167	HEXAGON SOCKET COUNTERSUNK HEAD CAP SCREW 10.9 M6x30 ZN UNI5933	1.00000
6	C020168	SCREW TSPEI 10.9 M6x40 ZN UNI5933	2.00000
7	C020187	SCREW TSPEI 10.9 M6X20 UNI5933 ZN	5.00000
8	C020212	HEXAGON SOCKET HEAD CAP SCREW M6X25 ZB UNI EN ISO 4762	2.00000
9	C020295	SCREW TSP 10.9 M8X16	4.00000
10	C020541	HEXAGON SOCKET OVAL HEAD SCREW M8x20 ISO 7380	2.00000
11	C020542	HEXAGON SOCKET OVAL HEAD SCREW M6x12 ZN ISO 7380	2.00000
12	C020543	HEXAGON SOCKET OVAL HEAD SCREW M8x25 ISO 7380	10.00000
13	C020548	HEXAGON SOCKET OVAL HEAD SCREW M6x20 ZN UNI/ISO 7380	2.00000
14	C023041	NORD LOCK WASHER M8	10.00000
15	C023090	FLAT WASHER M6 6.4x12x1.6 UNI 6592	1.00000
16	C023110	PLAIN WASHER LARGE SERIES M6 6.5X18X1.5 DIN9021	13.00000



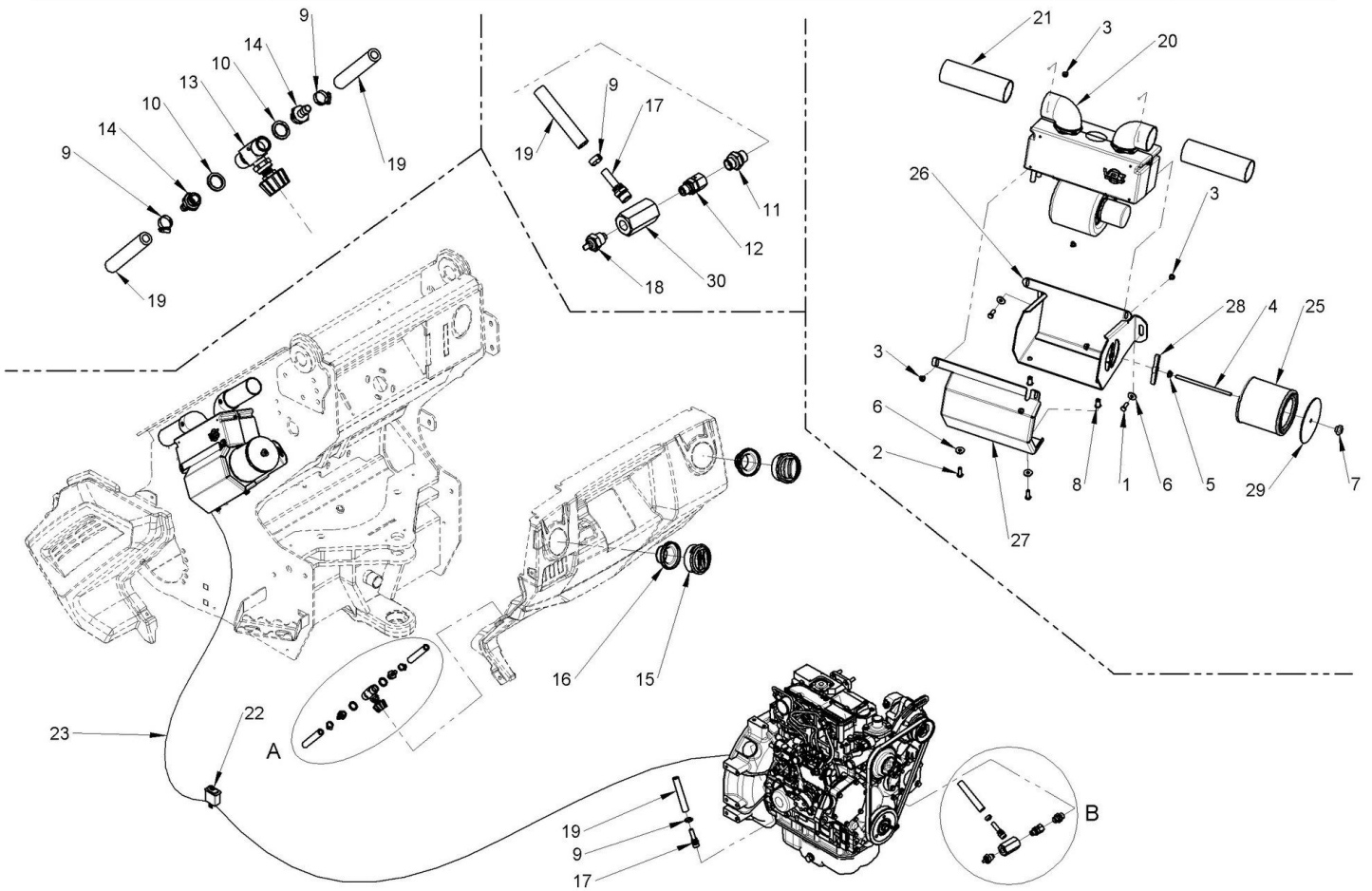
Draft and part list report
Serial n / code M331494 / C962015
Description MULTIONE 7.2

17	C028266	SPRING PIN 5X16	1.00000
18	C028270	THREAD INSERT M8	10.00000
19	C028271	THREAD INSERT M6	17.00000
20	C034053	WINDSCREEN WIPER ENGINE ITG 12V 90° FOR CABIN	1.00000
21	C034023	CABIN DOOR HOLD LATCH	1.00000
22	C028021	LEFT REAR VIEW MIRROR FOR S600/SL800/GT900 CABIN	1.00000
23	C028022	RIGHT REAR VIEW MIRROR FOR S600/SL800/GT900 CABIN	1.00000
24	C034070	PLASTIC STUD FOR GLASS CABIN	2.00000
25	C034072	RUBBER WASHER FOR GLASS CABIN	6.00000
26	C034078	DOOR OUTER LOCK FOR	1.00000
27	C034082	GLASS WASHER PIPE TRANSPARENT 14X7	1.00000
28	C034090	COOLANT TANK BRACKET	1.00000
29	C034170	WIND SCREEN WASHER WATER TANK	1.00000
30	C034181	WINDSCREEN GLASS WITH SEAL M1 6->10	1.00000
31	C034182	REAR GLASS WITH SEAL M1 6->10	1.00000
32	C034183	DOOR GLASS WITH SEAL M1 6->10	1.00000
33	C034184	RIGHT SIDE GLASS WITH SEAL M1 6->10	1.00000
34	C034190	WIPER ARM FOR CABIN 5 -> 10	1.00000
35	C034191	WIPER BRUSH FOR CABIN 5 -> 10	1.00000
36	C034500	METAL HINGE	5.00000
37	C034501	UNDER HOLD LATCH PLASTIC	1.00000
38	C034502	LOCK BAR SHAPE	1.00000
39	C034503	LOCK HOLDER PLATE	1.00000
40	C034504	INNER DOOR HANDLE SEAL	1.00000
41	C034505	SHAPE BAR LOCK HOLDER PLATE	1.00000
42	C034506	KNURLED BUSH	1.00000
43	C034507	REAR BAR RUBBER	1.00000
44	C034508	SMALL HOLE HINGE RUBBER	4.00000
45	C034509	BIG HOLE HINGE RUBBER	1.00000
46	C034510	GRAB HANDLE	1.00000
47	C034515	GAS SPRING HOLDER SEAL	1.00000
48	C034516	INNER STUD CABIN	5.00000
49	C034517	Ø40-Ø20-1,5 SEAL	5.00000
50	C274258	GLASS HOLDER FOR CABIN	16.00000
51	C034519	Ø20-Ø8-6 SPACER	1.00000
52	C034522	STUD WITH M8X13 PIN	1.00000
53	C034523	{{>desc}}	1.00000
54	C035015	SNAP SEAL FOR WINDOWS	1.00000
55	C035015	SNAP SEAL FOR WINDOWS	1.00000
56	C035015	SNAP SEAL FOR WINDOWS	1.00000
57	C035015	SNAP SEAL FOR WINDOWS	1.00000
58	C035038	RUBBER TOP FOR CABIN GLASSES	1.00000
59	C035041	JERKY COMPASS OPENING FOR CABIN	1.00000
60	C036161	WINDSCREEN WASHER SWITCH	1.00000
61	C041423	UNDER ROOF COVER	1.00000
62	C041425	OVER ROOF COVER	1.00000



Draft and part list report
Serial n / code M331494 / C962015
Description MULTIONE 7.2

63	C274255	GLASS SEAL FOR CABIN	2.00000
64	C281601	PAN WIDESCREEN WASHER SUPPORT	1.00000
65	C282309	DOOR BELT FIXING	1.00000
66	C282324	JERKY COMPASS BRACKET	1.00000
67	C282369	HINGE SPACER FOR CABIN M1 6 -> 10	5.00000
68	C282396	{{>desc}}	1.00000



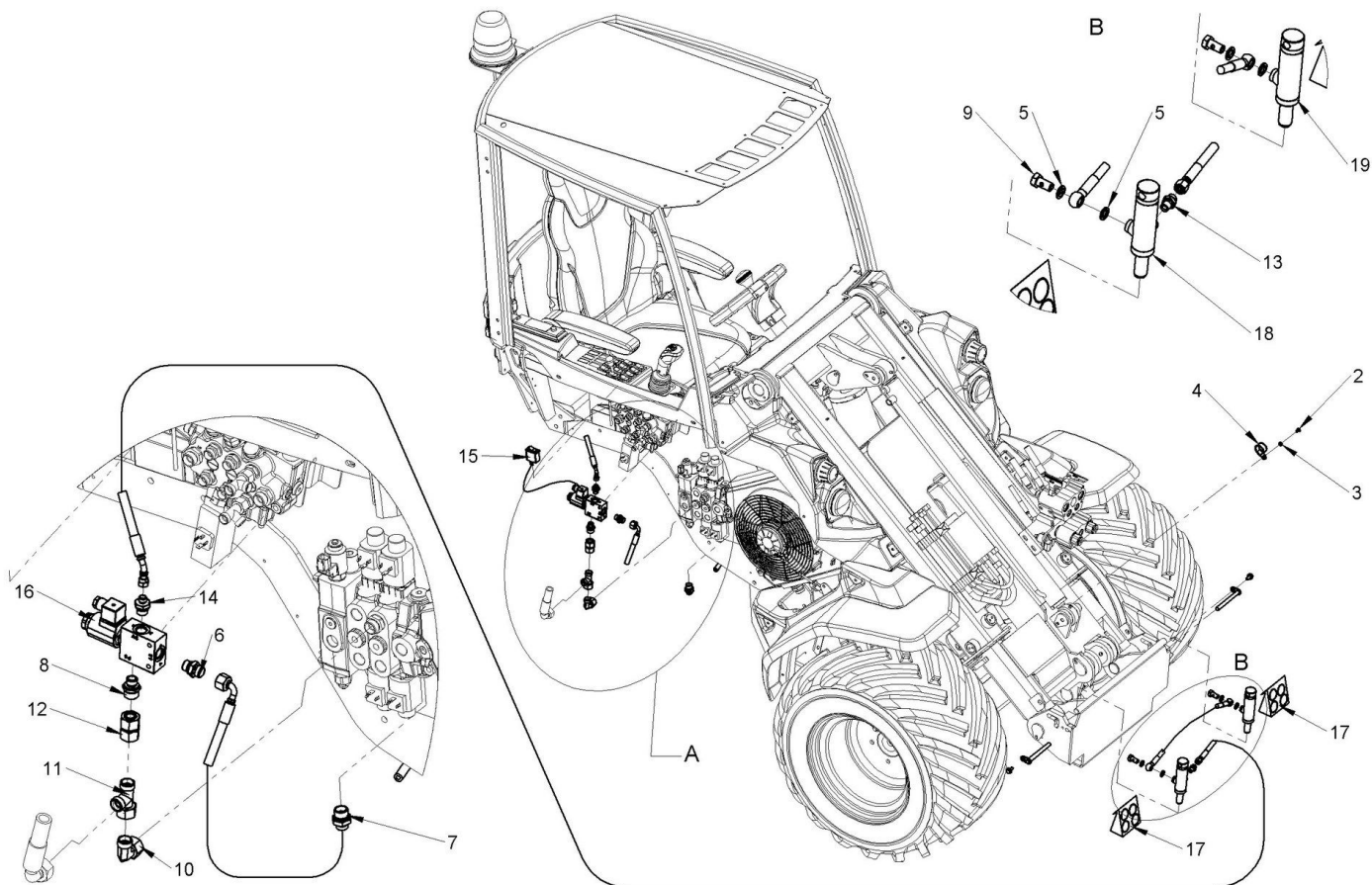
Component list [TAV. 33 M1 7.2 HEATER]

Pos.	Code	Description	Q.ty
1	C020050	HEXAGON HEAD PIPE PLUG M6X16 UNI 5739	2.00000
2	C020548	HEXAGON SOCKET OVAL HEAD SCREW M6x20 ZN UNI/ISO 7380	2.00000
3	C020554	SELF THREADER SCREW 4.8X13	6.00000
4	C020651	THREADED RODS M6 L=130	1.00000
5	C021018	NUT E 6S M6 SERPRESS	2.00000
6	C023110	PLAIN WASHER LARGE SERIES M6 6.5X18X1.5 DIN9021	4.00000
7	C028028	THREE-LOBED HANDWHEEL M6 PASS-THROUGH	1.00000
8	C028271	THREAD INSERT M6	2.00000
9	C029038	STEEL BAND 10-16	4.00000
10	C030547	BONDED WASHER 3/8" GAS	2.00000
11	C033000	10L/10L MALE STUD COUPLING	1.00000
12	C033118	M 1/4G FG 10L STRAIGHT JOINT	1.00000
13	C034005	METAL FAUCET FOR CAB HEATING	1.00000
14	C034006	STRAIGHT FITTING DIA. 10 MM - 3/8"	2.00000
15	C034008	∅76 mm AIR PORT	2.00000
16	C034009	AIR PORT REDUCTION 82->76/45 mm	2.00000



Draft and part list report
Serial n / code M331494 / C962015
Description MULTIONE 7.2

17	C034092	{{>desc}}	2.00000
18	C034099	WATER SENSOR FOR ENGINE, 2 CONTACTS	1.00000
19	C035034	HOT WATER RUBBER HOSE 10X17	4.00000
20	C035149	HEATHER MULTIONE M1 5->10, 6SD->9SD	1.00000
21	C035160	HOT AIR HOSE Ø45	2.00000
22	C036160	SWITCH FAN	1.00000
23	C038090	ADDITIONAL WIRING HEATING	1.00000
24	C039036	YANMAR DIESEL ENGINE 3TNV76	1.00000
25	C039170	HEATING CARTRIDGE FILTER	1.00000
26	C282343	HEATHER BOX	1.00000
27	C282346	BOX HEATER CAP	1.00000
28	C282347	HEATER AIR FILTER CENTERING	1.00000
29	C282348	AIR HEATER FILTER CAP	1.00000
30	C284403	HEATING MANIFOLD	1.00000



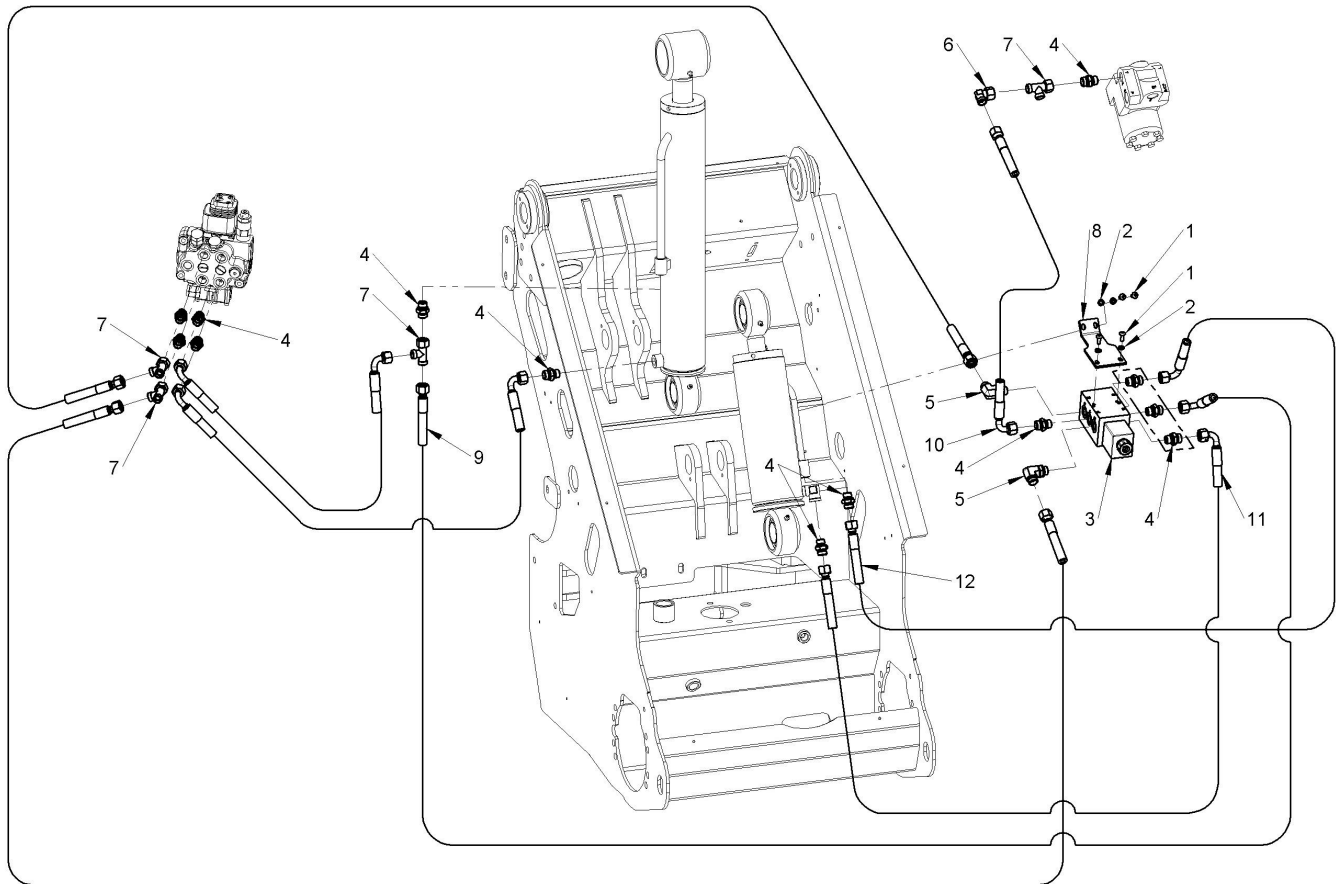
Component list [TAV. 34 M1 6-7-8 AUTOMATIC COUPLING PLATE (OPTIONAL)]

Pos.	Code	Description	Q.ty
1	C019201	HEXAGON FLANGE BOLT M8x16 DIN 6921	2.00000
2	C020542	HEXAGON SOCKET OVAL HEAD SCREW M6x12 ZN ISO 7380	1.00000
3	C023090	FLAT WASHER M6 6.4x12x1.6 UNI 6592	1.00000
4	C029033	HOSE CLAMP WITH RUBBER Ø30	1.00000
5	C030548	BONDED WASHER 1/4" GAS	4.00000
6	C033001	NIPPLES 3/8" G / 12L	1.00000
7	C033002	NIPPLES 1/2" G / 12L	1.00000
8	C033010	3/8" -15L MALE JOINT	1.00000
9	C033015	PERFORED BOLT 1/4"	2.00000
10	C033025	90° FITTING F15L ORIENT. / M15L	1.00000
11	C033035	T FITTING F-M-M 15L	1.00000
12	C033116	STRAIGHT JOINT FG15L - FG15L	1.00000
13	C033134	NIPPLES 1/4GAS-8L	1.00000
14	C033173	{{>desc}}	1.00000
15	C036167	AUTOMATIC LOCKING COUPLING PLATE SWITCH	1.00000
16	C036621	ELECTROVALVE 3WAY G3/8 12V DC	1.00000



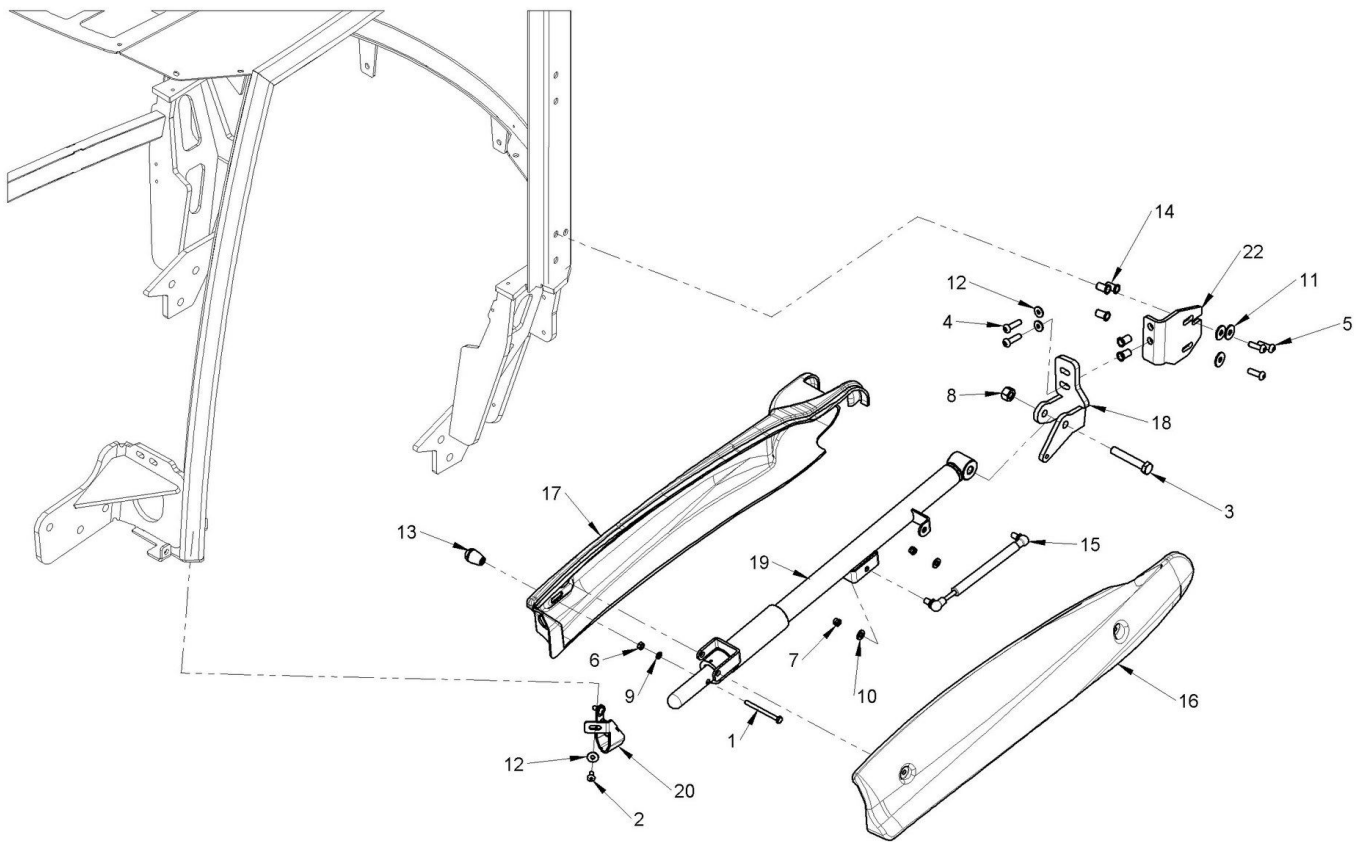
Draft and part list report
Serial n / code M331494 / C962015
Description MULTIONE 7.2

17	C036811	SEAL KIT FOR CYLINDER C272286-C272287	2.00000
18	C272286	RIGHT LOCKING CYLINDER > 2010	1.00000
19	C272287	LEFT LOCKING CYLINDER > 2010	1.00000
20	C272288	Ø12x118 PIN	2.00000



Component list [TAV. 35 M1 6-10 FLOATING BOOM]

Pos.	Code	Description	Q.ty
1	C020145	HEXAGON SOCKET OVAL HEAD SCREW M6x16 ISO 7380	4.00000
2	C023090	FLAT WASHER M6 6.4x12x1.6 UNI 6592	4.00000
3	C030580	BOOM FLOAT VALVE FOR SELF LEVELING	1.00000
4	C033001	NIPPLES 3/8" G / 12L	13.00000
5	C033021	REVOLVING CONNECTION AT 90° 3/8" ORIENT./12L	2.00000
6	C033024	ELBOW FITTING F12L ORIENT. /M12L	1.00000
7	C033032	T-CONNECTION F-M-M 12L	4.00000
8	C281602	FLOATING BOOM VALVE SUPPORT	1.00000
9	C810378_1	TUBO 3/8, L=1510, F90 12L, F90 12L, ORIENT. 120 HOSE 3/8, L=1510, F90 12L, F90 12L, ORIENT. 120	1.00000
10	C810378_2	TUBO 3/8, L=510, F90 12L, FD 12L HOSE 3/8, L=510, F90 12L, FD 12L	1.00000
11	C810378_3	TUBO 3/8, L=420, F90 12L, FD 12L HOSE 3/8, L=420, F90 12L, FD 12L	1.00000
12	C810378_4	TUBO 3/8, L=420, F90 12L, F45 12L, ORIENT. 180 HOSE 3/8, L=420, F90 12L, F45 12L, ORIENT. 180	1.00000



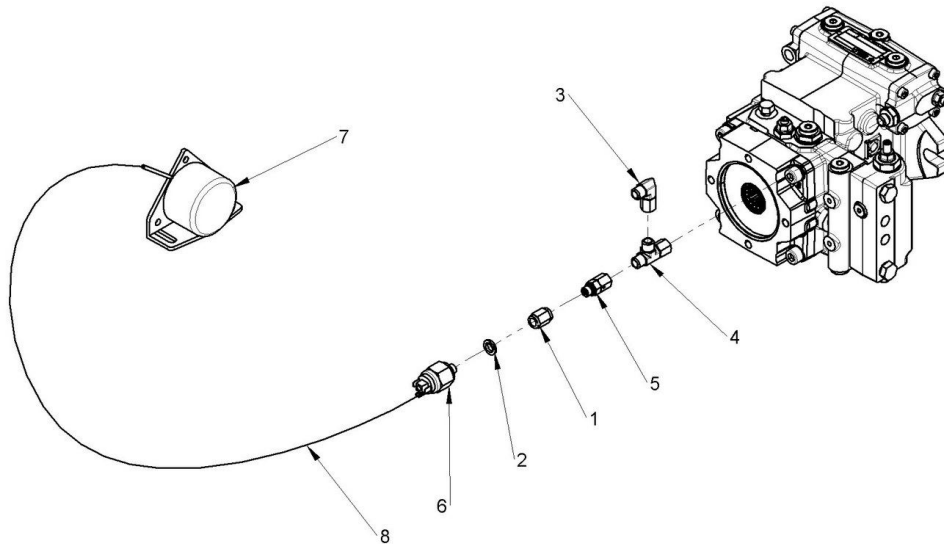
Component list [TAV. 36 SECURITY ARM]

Pos.	Code	Description	Q.ty
1	C020059	{{>desc}}	1.00000
2	C020145	HEXAGON SOCKET OVAL HEAD SCREW M6x16 ISO 7380	2.00000
3	C020352	M12x70 UNI ISO 4017 SCREW	1.00000
4	C020544	SCREW TBEI M8x30 ZN UNI/ISO 7380	2.00000
5	C020545	M8x35 ISO 7380 SCREW	3.00000
6	C021022	HEXAGON NUT M6 UNI 5588	1.00000
7	C021104	PREVAILING TORQUE-TYPE HEXAGONAL NUTS WITH POLYAMIDE RING M6 UNI 7473	2.00000
8	C021504	SELF BRAKING NUT M12 DIN 980	1.00000
9	C023040	M6 NORD LOCK WASHER	1.00000
10	C023071	PLAIN WASHER M8 8.4x16x1.6 UNI6592	2.00000
11	C023100	PLAIN WASHER LARGE SERIES M8 DIN 9021	3.00000
12	C023110	PLAIN WASHER LARGE SERIES M6 6.5X18X1.5 DIN9021	4.00000
13	C028025	CONICAL BALL KNOBS WITH M6 NUT	1.00000
14	C028270	THREAD INSERT M8	5.00000
15	C029509	AIR COMPRESSED SPRING 150N 120 mm	1.00000
16	C041174	EXTERNAL HOOD FOR SAFETY PROTECTION FOR SL800 BLUE	1.00000



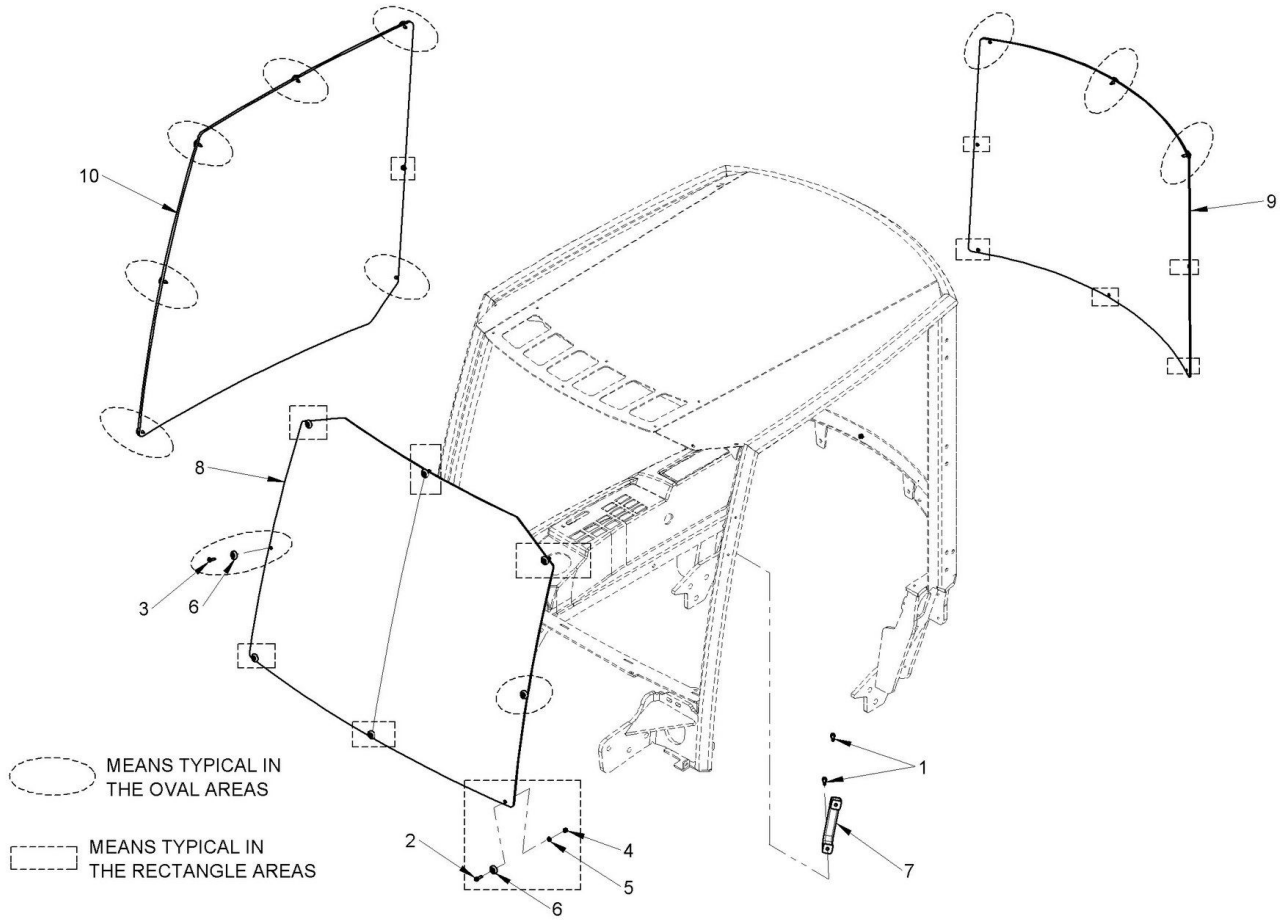
Draft and part list report
Serial n / code M331494 / C962015
Description MULTIONE 7.2

17	C041175	INTERNAL HOOD FOR SAFETY PROTECTION FOR SL800 GRAY	1.00000
18	C274281	SECURITY ARM HINGE	1.00000
19	C279408	SECURITY ARM CENTRAL BODY	1.00000
20	C279409	LATCH SECURITY ARM	1.00000
21	C282200	ROLL-BAR FRAME REV.16	1.00000
22	C282242	SECURITY ARM SUPPORT	1.00000



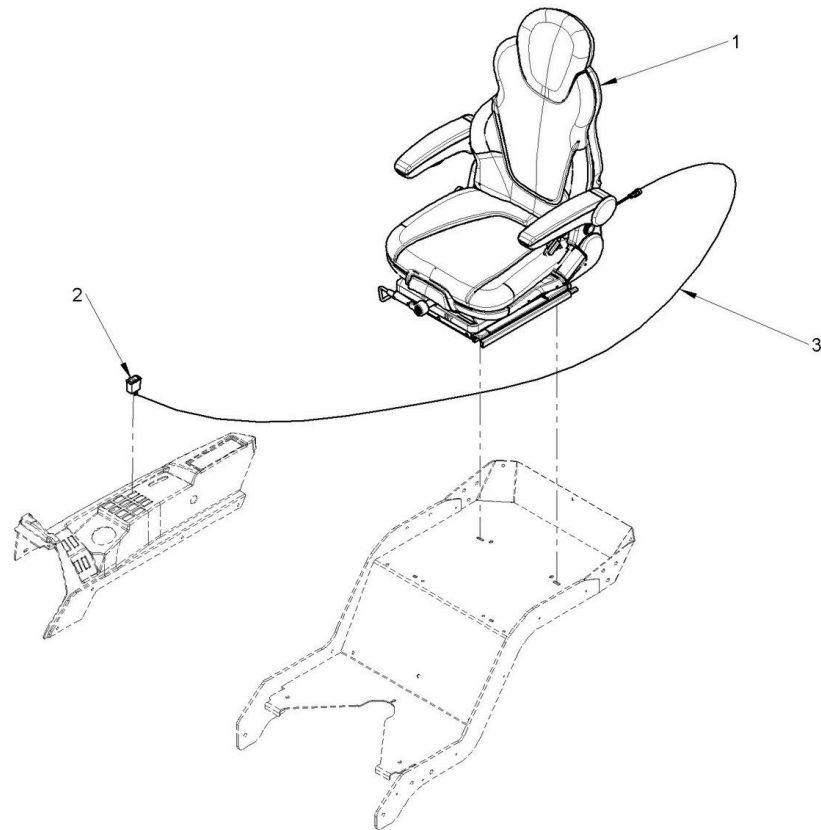
Component list [TAV. 38 BACK-UP ALLARM]

Pos.	Code	Description	Q.ty
1	C030361	CONNECTOR F1/8 GAS F1/8 GAS	1.00000
2	C030549	BONDED WASHER 1/8"GAS	1.00000
3	C033027	ANGULAR ROTARY FITTING F6L-M6L	1.00000
4	C033033	T CONNECTION F-M-M 6L	1.00000
5	C033117	STANDPIPE ADAPTORS PACKING RING M1/8" - FG6L	1.00000
6	C036651	PRESSURE SWITCH 1/8"GAS	1.00000
7	FF180/31.0031.0000	BACKUP BUZZER	1.00000
8	C038088	BACK-UP ALLARM WIRING	1.00000



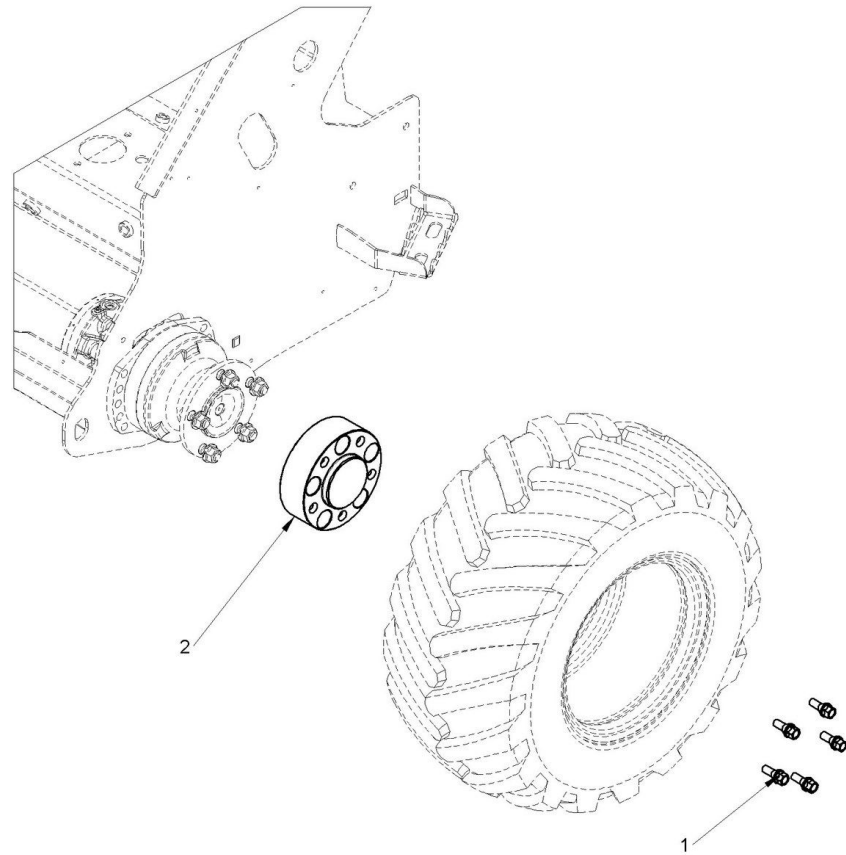
Component list [TAV. 39 M1 6->10 POLYCARBONATE GLASS SMART CABIN]

Pos.	Code	Description	Q.ty
1	C020212	HEXAGON SOCKET HEAD CAP SCREW M6X25 ZB UNI EN ISO 4762	2.00000
2	C020287	RECESSED RAISED CHEESE HEAD SCREW M5x20 UNI 7687 DIN 7985	12.00000
3	C020300	VITE AUTOFILETTANTE TC 4.8X19 DIN 7981 UNI 6954	11.00000
4	C021102	PREVAILING TORQUE - TYPE HEXAGON NUT WITH POLYAMIDE RING M5 DIN 982	12.00000
5	C023072	FLAT WASHER X M5 5.3x10x1	12.00000
6	C023300	CONIC WASHER M6	23.00000
7	C034510	GRAB HANDLE	1.00000
8	C041500	PLEXIGLASS WINDSCREEN	1.00000
9	C041501	PLEXIGLASS REAR WINDOW	1.00000
10	C041502	RIGHT SIDE PLEXIGLASS	1.00000



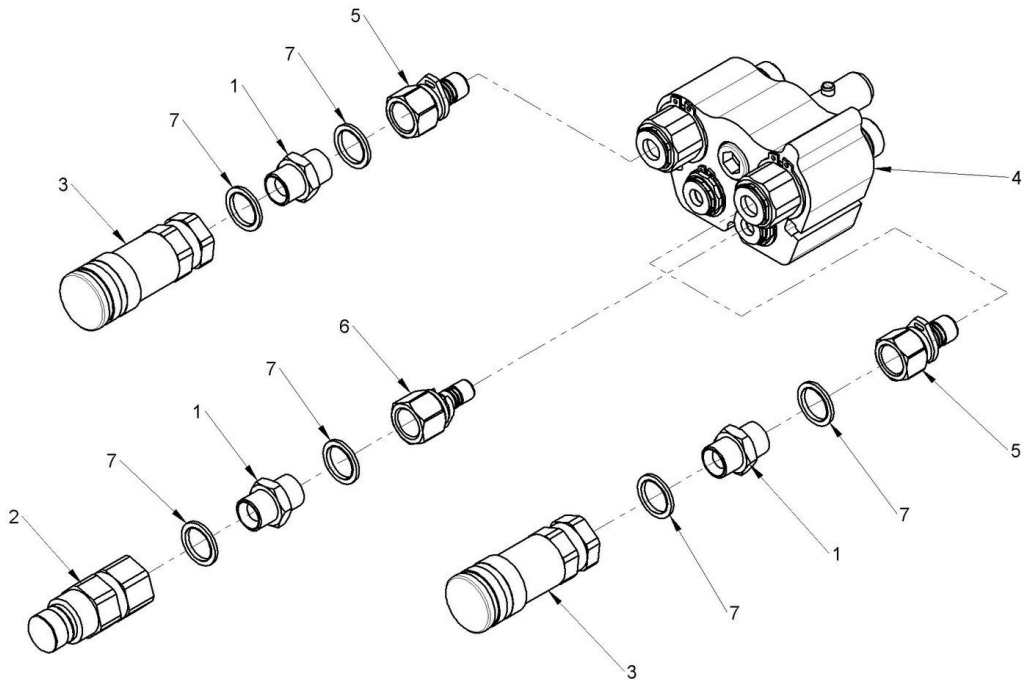
Component list [TAV. 41 LUXURY HEATED SEAT]

Pos.	Code	Description	Q.ty
1	C036772	LUXURY HEATED SEAT FOR MULTIONE WITH SUSPENSION	1.00000
2	C036163	HEATED SEAT SWITCH	1.00000
3	C038091	SEAT HEATING WIRING	1.00000



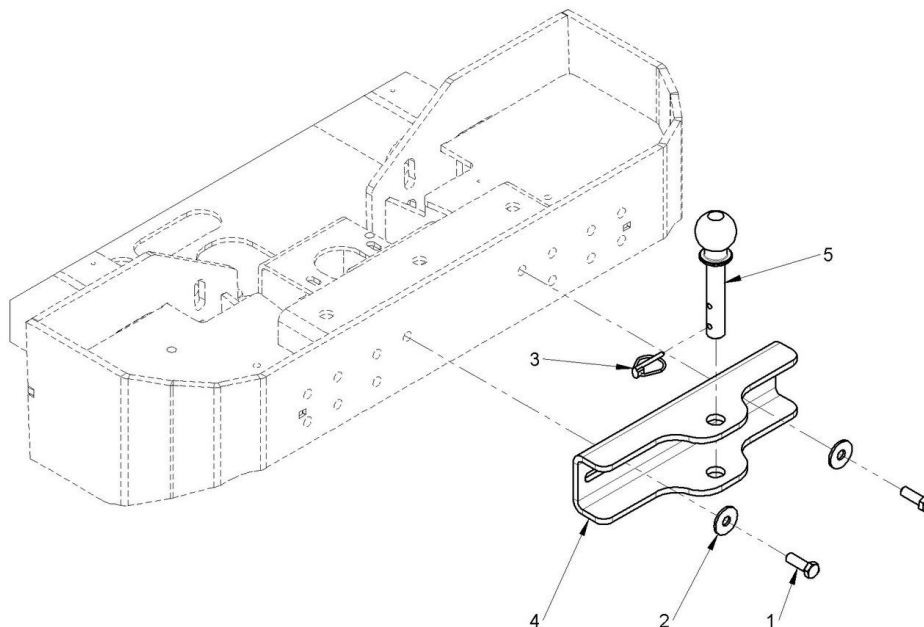
Component list [TAV. 44 55 mm WHEEL SPACER]

Pos.	Code	Description	Q.ty
1	C020502	WHEEL SCREW M12X1.5X21 60°	20.00000
2	C272098	55 mm WHEEL SPACER	4.00000



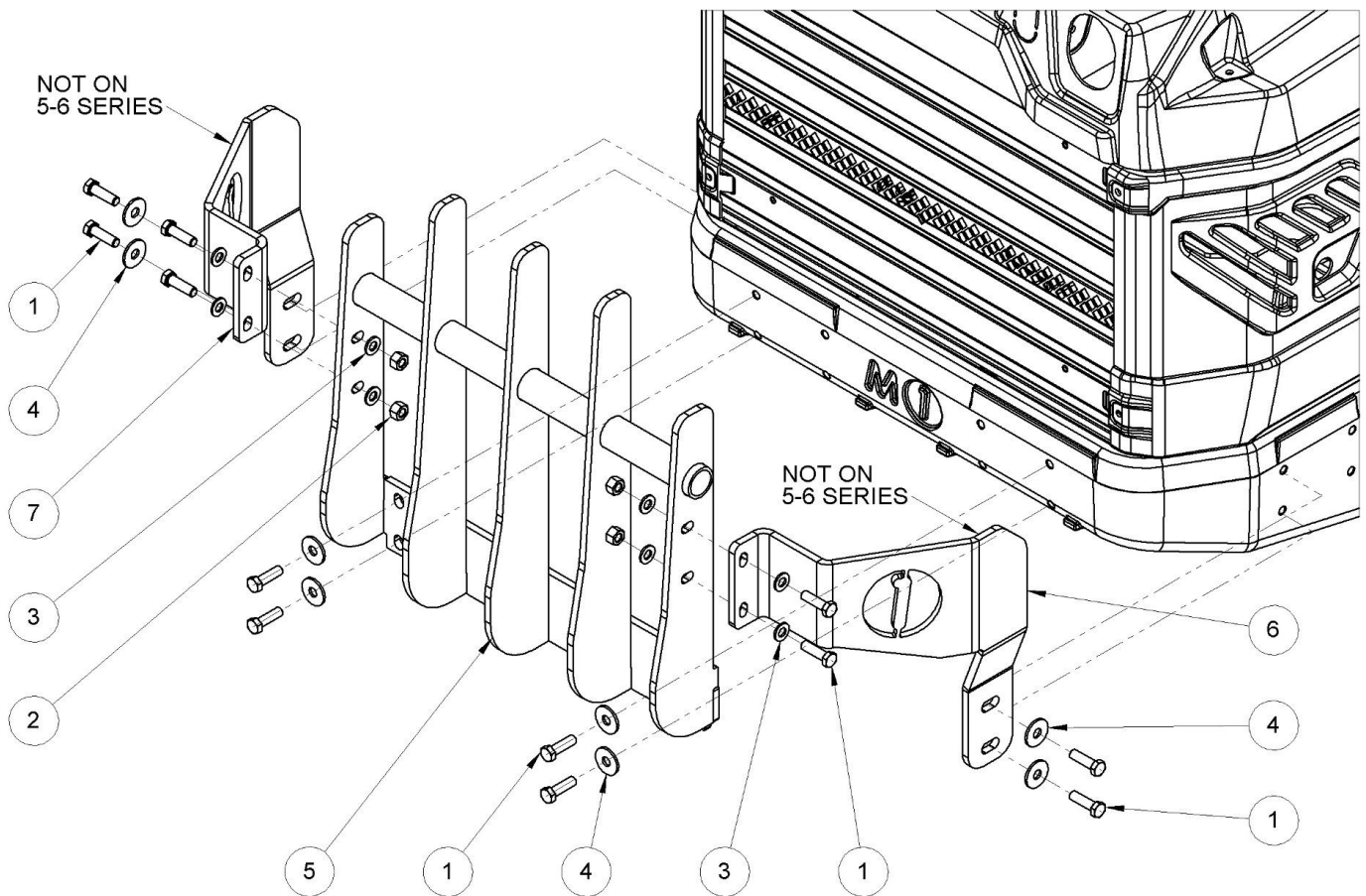
Component list [TAV. 45 MULTICONNECTOR COUPLING TO QUICK COUPLING KIT ADAPTOR]

Pos.	Code	Description	Q.ty
1	C030376	NIPPLES M 1/2" M 1/2"	3.00000
2	C030456	FLAT FACE QUICK COUPLER MALE 1/2"	1.00000
3	C030457	FLAT FACE COUPLING FEMALE 1/2"	2.00000
4	C030481	HYDRAULIC MULTICONNECTOR PLATE, ATTACHMENTS 3 WAY	1.00000
5	C030488	WEO 1/2" - F 1/2" GAS ADAPTOR	2.00000
6	C030489	WEO 3/8" - F 1/2" GAS ADAPTOR	1.00000
7	C030542	BONDED WASHER 1/2" GAS	6.00000



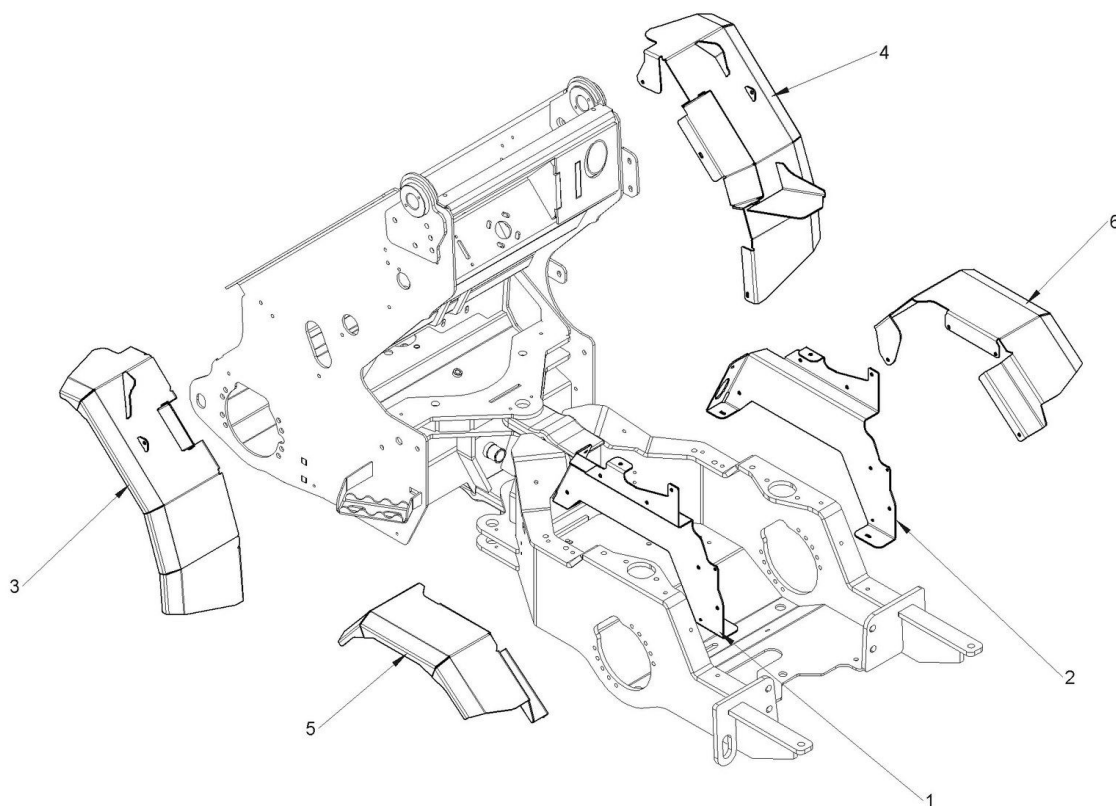
Component list [TAV. 46 TOW HOOK]

Pos.	Code	Description	Q.ty
1	C020133	{{>desc}}	2.00000
2	C023105	WASHER FOR M12 13x37x3 DIN9021 UNI6593	2.00000
3	C028200	LOCK PIN 5 MM	1.00000
4	C274220	TRAILER HOOK SUPPORT	1.00000
5	C802049	TOW HOOK PIN	1.00000



Component list [TAV. 49 M1 5-8, M1 6SD-8SD REAR BUMPER]

Pos.	Code	Description	Q.ty
1	C020139	HEXAGON HEAD SCREW M12x40 UNI 4017	12.00000
2	C021504	SELF BRAKING NUT M12 DIN 980	4.00000
3	C023102	PLAIN WASHER M12 UNI 6592	8.00000
4	C023105	WASHER FOR M12 13x37x3 DIN9021 UNI6593	8.00000
5	C282835	REAR BULLBAR M1 7-8	1.00000
6	C284467	RIGHT REAR BULLBAR BRACKET	1.00000
7	C284468	LEFT REAR BULLBAR BRACKET	1.00000



Component list [TAV. 54 STEEL MUD GUARD]

Pos.	Code	Description	Q.ty
1	C281875	LEFT MUDGUARD SUPPORT	1.00000
2	C281876	RIGHT MUDGUARD COVER SUPPORT	1.00000
3	C285018	FRONT LEFT MUD GUARD M1 6-7-8	1.00000
4	C285019	FRONT RIGHT MUD GUARD M1 6-7-8	1.00000
5	C285020	REAR LEFT MUD GUARD M1 6-7-8	1.00000
6	C285021	REAR RIGHT MUD GUARD M1 6-7-8	1.00000

PER STRUMENTO ANALOGICO
 FOR ANALOG DECK



1

PER STRUMENTO LCD
 FOR LCD DECK



2

ALLARME SONORO
 BUZZER ALLARM



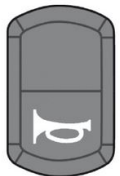
3

Component list [TAV. 57 WATER TEMP SENSOR]

Pos.	Code	Description	Q.ty
1	FF180/U2M02A003	WATER TEMPERATURE SENSOR, ANALOG DECK	1.00000
2	FF180/U2M02A011	WATER TEMPERATURE SENSOR, LCD DECK	1.00000
3	FF163/121250-44901	WATER TEMPERATURE SENSOR - BUZZER ALARM	1.00000

TASTI ED INTERRUTTORI / BUTTON AND SWITCHES

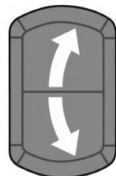
TAV. 60



1



2



3



4



5



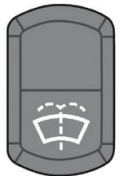
6



7



8



9



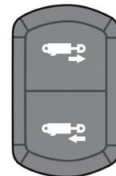
10



11



12



13



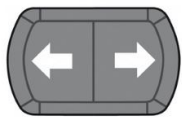
14



15



16



17



18



19



20



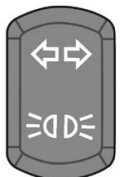
21



22



23



24

Component list [TAV. 60 SWITCHES]

Pos.	Code	Description	Q.ty
1	C036153	HORN SWITCH	1.00000
2	C036154	WORK LIGHT SWITCH	1.00000
3	C036155	FRONT ELECTRIC PLUG SWITCH	1.00000
4	C036156	HAND BRAKE SWITCH	1.00000
5	C036157	DIFFERENTIAL LOCK SWITCH	1.00000
6	C036158	SLOW/FAST GEAR SWITCH	1.00000
7	C036159	ADDITIONAL WORK LIGHT SWITCH	1.00000
8	C036160	SWITCH FAN	1.00000
9	C036161	WINDSCREEN WASHER SWITCH	1.00000
10	C036162	FLASHING BEACON SWITCH	1.00000
11	C036163	HEATED SEAT SWITCH	1.00000
12	C036164	FLOATING BOOM SWITCH	1.00000
13	C036165	REAR OUTLET SWITCH	1.00000
14	C036166	ROAD LIGHT SWITCH	1.00000
15	C036167	AUTOMATIC LOCKING COUPLING PLATE SWITCH	1.00000



Draft and part list report
Serial n / code M331494 / C962015
Description MULTIONE 7.2

16	C036168	HAZARD LIGHTS SWITCH	1.00000
17	C036169	BLINKER LIGHT SWITCH	1.00000
18	FF180/17.153.000	HORN BUTTON	1.00000
19	FF180/106616	HAZARD LIGHT BUTTON	1.00000
20	C036170	BEACON LIGHT BUTTON	1.00000
21	FF180/30.34.08956	LEVER SWITCH ON-OFF WITH RUBBER	1.00000
22	FF180/30.34.10306	LEVER SWITCH ON-OFF-ON WITH RUBBER	1.00000
23	C036171	TORQUE DIVIDER SWITCH	1.00000
24	C036172	ROADLIGHT AND TURN SIGNAL INDICATOR	1.00000



Draft and part list report
Serial n / code M331494 / C962015
Description MULTIONE 7.2

DECALCOMANIE / DECALS

Tav. 95

CODE	DESCRIZIONE	DESCRIPTION	NOTE
C042200	DECALCOMANIA GENERALE MACCHINE	GENERAL DECALS FOR MULTIONE	USED ON ALL MACHINES
C042202	DECALCOMANIA GENERALE PITTGRAMMI MACCHINE	GENERAL SAFETY DECALS FOR MULTIONE	USED ON ALL MACHINES
C042111	DECAL LWA 98 DB	DECAL LWA 98 DB	USED ON: 4.2, 5.2, 6.3 SERIES, 7.2 7.3 SERIES, 6.3SD, 7.3SD, 8.4SD
C042110	DECAL LWA 99 DB	DECAL LWA 99 DB	USED ON: 5.3, 8.4 SERIES
C042109	DECAL LWA 100 DB	DECAL LWA 100 DB	USED ON: 1.1, 2.3, 9.5, 9.6, 10.9, 9.5SD
C042112	DECAL LWA 101 DB	DECAL LWA 101 DB	USED ON: 10.8
C042114	DECAL LPA 82 DB	DECAL LPA 82 DB	USED ON: 7.3 SERIES, 7.3SD
C042116	DECAL LPA 84 DB	DECAL LPA 84 DB	USED ON: 7.2, 6.3 SERIES, 6.3SD
C042117	DECAL LPA 85 DB	DECAL LPA 85 DB	USED ON: 1.1, 2.3, 4.2, 5.2, 8.4 SERIES, 10.8, 10.9, 8.4SD
C042102	DECAL LPA 86 DB	DECAL LPA 86 DB	USED ON: 9.5, 9.6, 9.5SD
C042100	DECAL LPA 87 DB	DECAL LPA 87 DB	USED ON: 5.3
C042437	DIAGRAMMA DI CARICO SERIE 2	M1 2 SERIES LOAD DIAGRAM	
C042443	DIAGRAMMA DI CARICO SERIE 4 - 5	M1 4 - 5 SERIES LOAD DIAGRAM	
C042429	DIAGRAMMA DI CARICO SERIE 6	M1 6 SERIES LOAD DIAGRAM	
C042430	DIAGRAMMA DI CARICO SERIE 7 - 8	M1 7 - 8 SERIES LOAD DIAGRAM	
C042431	DIAGRAMMA DI CARICO SERIE 9	M1 9 SERIES LOAD DIAGRAM	
C042432	DIAGRAMMA DI CARICO SERIE 10	M1 10 SERIES LOAD DIAGRAM	
C042440	DIAGRAMMA DI CARICO 6SD	M1 6SD LOAD DIAGRAM	
C042439	DIAGRAMMA DI CARICO 7SD - 8SD	M1 7SD - 8SD LOAD DIAGRAM	
C042438	DIAGRAMMA DI CARICO 9SD	M1 9SD LOAD DIAGRAM	
C042175	DECALCOMANIE M1 1.1	M1 1.1 DECAL	
C042436	DECALCOMANIE M1 2.3	M1 2.3 DECAL	
C042190	DECALCOMANIE M1 4.2	M1 4.2 DECAL	
C042189	DECALCOMANIE M1 5.2	M1 5.2 DECAL	
C042188	DECALCOMANIE M1 5.3	M1 5.3 DECAL	
C042412	DECALCOMANIE M1 6.3	M1 6.3 DECAL	
C042434	DECALCOMANIE M1 6.3+	M1 6.3+ DECAL	
C042413	DECALCOMANIE M1 6.3S	M1 6.3S DECAL	
C042433	DECALCOMANIE M1 7.2	M1 7.2 DECAL	
C042414	DECALCOMANIE M1 7.3	M1 7.3 DECAL	
C042415	DECALCOMANIE M1 7.3+	M1 7.3+ DECAL	
C042416	DECALCOMANIE M1 7.3S	M1 7.3S DECAL	
C042417	DECALCOMANIE M1 8.4	M1 8.4 DECAL	
C042427	DECALCOMANIE M1 8.4+	M1 8.4+ DECAL	
C042418	DECALCOMANIE M1 8.4S	M1 8.4S DECAL	
C042420	DECALCOMANIE M1 8.5	M1 8.5 DECAL	
C042442	DECALCOMANIE M1 8.5S	M1 8.5S DECAL	
C042421	DECALCOMANIE M1 9.5	M1 9.5 DECAL	
C042424	DECALCOMANIE M1 9.6	M1 9.6 DECAL	
C042425	DECALCOMANIE M1 10.8	M1 10.8 DECAL	
C042426	DECALCOMANIE M1 10.9	M1 10.9 DECAL	
C042422	DECALCOMANIE M1 SD 6.3	M1 SD 6.3 DECAL	
C042419	DECALCOMANIE M1 SD 7.3	M1 SD 7.3 DECAL	
C042423	DECALCOMANIE M1 SD 8.4	M1 SD 8.4 DECAL	
C042428	DECALCOMANIE M1 SD 9.5	M1 SD 9.5 DECAL	

Component list [TAV. 95 DECALS]

Pos.	Code	Description	Q.ty
1	C042200	GENERAL SAFETY DECALS FOR MULTIONE	1.00000
2	C042202	S/SL/GT SAFETY DECALS FOR MULTIONE	1.00000
3	C042111	DECALCOMANIA DECIBEL LWA 98 DB	1.00000
4	C042110	DECALCOMANIA DECIBEL LWA 99 DB	1.00000
5	C042109	DECALCOMANIA DECIBEL LWA 100 DB	1.00000
6	C042112	LWA 101 DB LABEL	1.00000
7	C042114	DECALCOMANIA DECIBEL LPA 82 DB	1.00000
8	C042116	LPA 84 DB LABEL	1.00000
9	C042117	LPA 85 DB LABEL	1.00000
10	C042102	DECALCOMANIA DECIBEL LPA 86 DB	1.00000
11	C042100	DECALCOMANIA DECIBEL LPA 87 DB	1.00000
12	C042437	M1 2 SERIES LOAD DIAGRAM DECAL	1.00000
13	C042443	M1 4-5 SERIES LOAD DIAGRAM DECAL	1.00000
14	C042429	{{>desc}}	1.00000
15	C042430	{{>desc}}	1.00000
16	C042431	{{>desc}}	1.00000



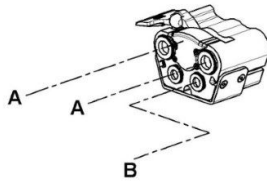
Draft and part list report
Serial n / code M331494 / C962015
Description MULTIONE 7.2

17	C042432	{{>desc}}	1.00000
18	C042440	M1 6SD SERIES LOAD DIAGRAM DECAL	1.00000
19	C042439	M1 7SD-8SD SERIES LOAD DIAGRAM DECAL	1.00000
20	C042438	SD 9 LOAD DIAGRAM DECAL	1.00000
21	C042175	M1 1.1 DECAL	1.00000
22	C042436	{{>desc}}	1.00000
23	C042190	{{>desc}}	1.00000
24	C042189	{{>desc}}	1.00000
25	C042188	{{>desc}}	1.00000
26	C042412	KIT DECALS FOR M1 6.3	1.00000
27	C042434	KIT DECALS FOR M1 6.3S	1.00000
28	C042413	KIT DECALS FOR M1 6.3S	1.00000
29	C042433	KIT DECALS FOR M1 7.3	1.00000
30	C042414	KIT DECALS FOR M1 7.3	1.00000
31	C042415	KIT DECALS FOR M1 7.3+	1.00000
32	C042416	KIT DECALS FOR M1 7.3S	1.00000
33	C042417	KIT DECALS FOR M1 8.4	1.00000
34	C042427	KIT DECALS FOR M1 8.4	1.00000
35	C042418	KIT DECALS FOR M1 8.4S	1.00000
36	C042420	{{>desc}}	1.00000
37	C042442	8.5S KIT DECALS	1.00000
38	C042421	DECALS KIT FOR M1 9.5	1.00000
39	C042424	{{>desc}}	1.00000
40	C042425	{{>desc}}	1.00000
41	C042426	{{>desc}}	1.00000
42	C042422	{{>desc}}	1.00000
43	C042419	{{>desc}}	1.00000
44	C042423	{{>desc}}	1.00000
45	C042428	SD 9.5 DECALS	1.00000

INSERTI WEO / WEO FITTINGS

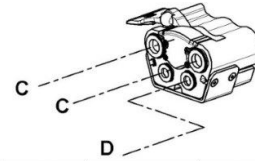
Tav. 96

**MACHINE MULTICONNECTOR
 MULTIONE 9-10 SERIES**



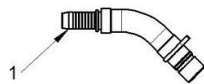
HOSE TYPE	WORK PRES BAR	HOSE DIAMETER	LENGHT RUBBER HOSE	1st FITTING DIN 2353	2nd FITTING WEO
"A" PORTS HOSES					
2SC	250	5/8"	1030	MALE STRAIGHT 18L (M30x2)	POS. 1
"B" PORT HOSE					
PILOT	100	3/8"	1150	MALE STRAIGHT 12L (M18x1,5)	POS. 3

**MACHINE MULTICONNECTOR
 MULTIONE 2-4-5-6-7-8 SERIES**



HOSE TYPE	WORK PRES BAR	HOSE DIAMETER	LENGHT RUBBER HOSE	1st FITTING DIN 2353	2nd FITTING WEO
2 SERIES					
"C" PORTS HOSES					
1SC	160	1/2"	730	FEMALE 90° 12L (M18x1,5)	POS. 2
1SC	160	1/2"	690	FEMALE STRAIGHT 12L (M18x1,5)	POS. 2
"D" PORT HOSE					
PILOT	100	3/8"	710	FEMALE 90° 12L (M18x1,5)	POS. 3
4-5 SERIES					
"C" PORTS HOSES					
1SC	160	1/2"	730	MALE STRAIGHT 15L (M22x1,5)	POS. 2
1SC	160	1/2"	780	MALE STRAIGHT 15L (M22x1,5)	POS. 2
"D" PORT HOSE					
PILOT	100	3/8"	790	MALE STRAIGHT 12L (M18x1,5)	POS. 3
6-7-8 SERIES					
"C" PORTS HOSES					
1SC	160	1/2"	970	MALE STRAIGHT 15L (M22x1,5)	POS. 2
"D" PORT HOSE					
PILOT	100	3/8"	1060	MALE STRAIGHT 12L (M18x1,5)	POS. 3

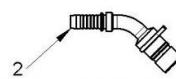
A 45° FITTING WEO SIZE 3/4"
 FOR 5/8" HOSE



B 45° FITTING WEO SIZE 1/2"
 FOR 3/8" HOSE



C 45° FITTING WEO SIZE 3/4"
 FOR 1/2" HOSE

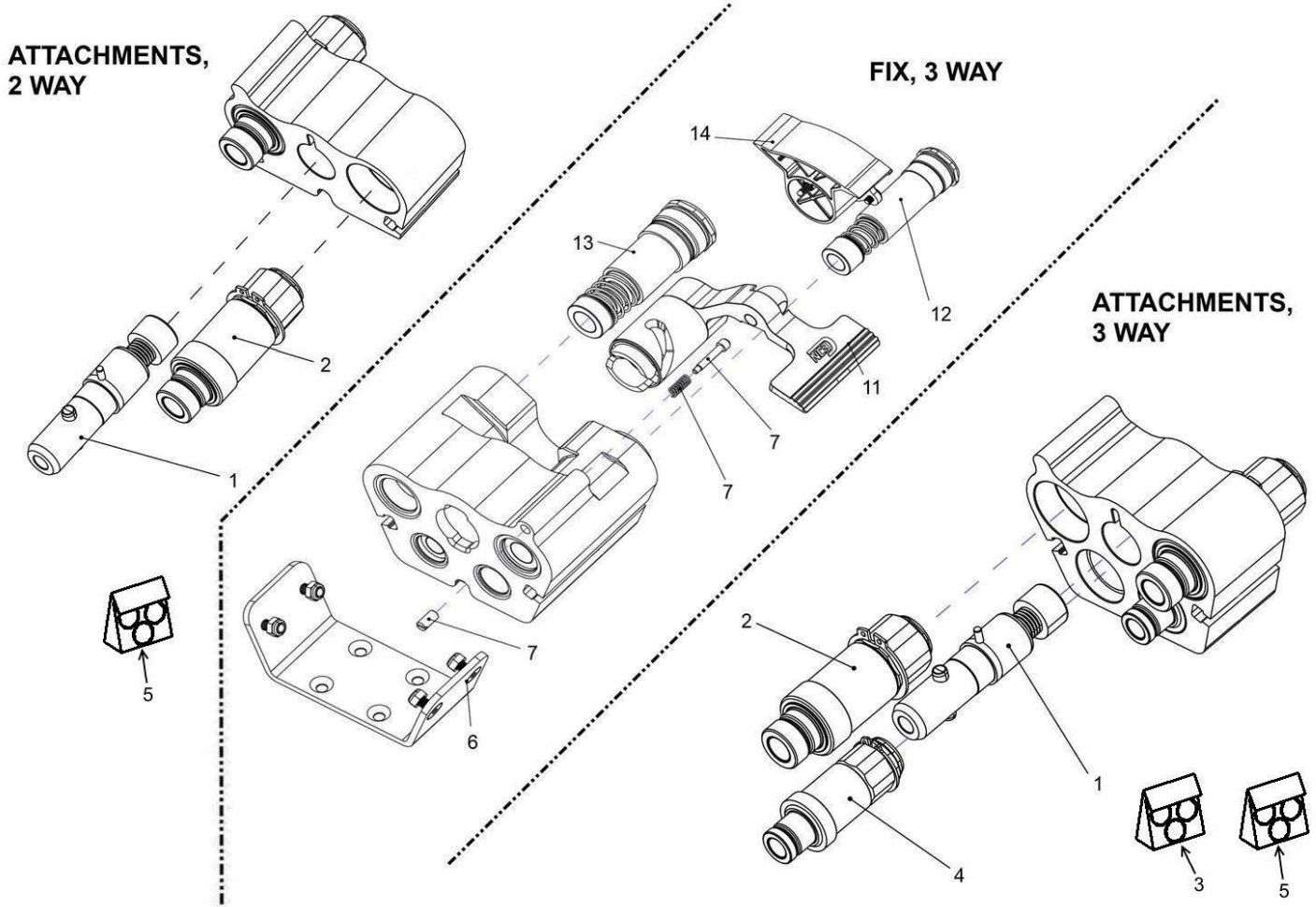


D 45° FITTING WEO SIZE 1/2"
 FOR 3/8" HOSE



Component list [TAV. 96 MACHINE MULTICONNECTOR WEO FITTINGS]

Pos.	Code	Description	Q.ty
1	C033401	45° FITTING WEO SIZE 3/4" FOR 5/8" HOSE	1.00000
2	C033402	45° FITTING WEO SIZE 3/4" FOR 1/2" HOSE	1.00000
3	C033405	45° FITTING WEO SIZE 1/2" FOR 3/8" HOSE	1.00000
4	C033410	STRAIGHT FITTING WEO SIZE 1/2" FOR 1/2" HOSE	1.00000
5	C033411	STRAIGHT FITTING WEO SIZE 1/2" FOR 3/8" HOSE	1.00000
6	C033416	90° FITTING WEO SIZE 1/2" FOR 3/8" HOSE	1.00000
7	C033425	STRAIGHT FITTING WEO SIZE 3/8" FOR 3/8" HOSE	1.00000



Component list [TAV. 99 HYDRAULIC MULTI COUPLING PLATE, FIX 3 WAY, ATTACHMENTS 3 WAY, ATTACHMENTS 2 WAY]

Pos.	Code	Description	Q.ty
1	FF1187/109324972	CENTER BOLT KIT	1.00000
2	FF1187/105646905	MALE JOINY KIT DN 12,5	1.00000
3	FF1187/103654991	DN 10 SEAL KIT	1.00000
4	FF1187/103646904	MALE JOINY KIT DN 10	1.00000
5	FF1187/105654991	DN 12,5 SEAL KIT	1.00000
6	FF1187/109324975	MOUNTING BRACKET	1.00000
7	FF1187/109324992	LOCKING LEVER PIN KIT	1.00000
11	FF1187/109324970	LOCKING LEVER KIT	1.00000
12	FF1187/103651906	FEMALE JOINY KIT DN 10	1.00000
13	FF1187/105651907	FEMALE JOINY KIT DN 12,5	1.00000
14	FF1187/109324971	BACK LID KIT	1.00000