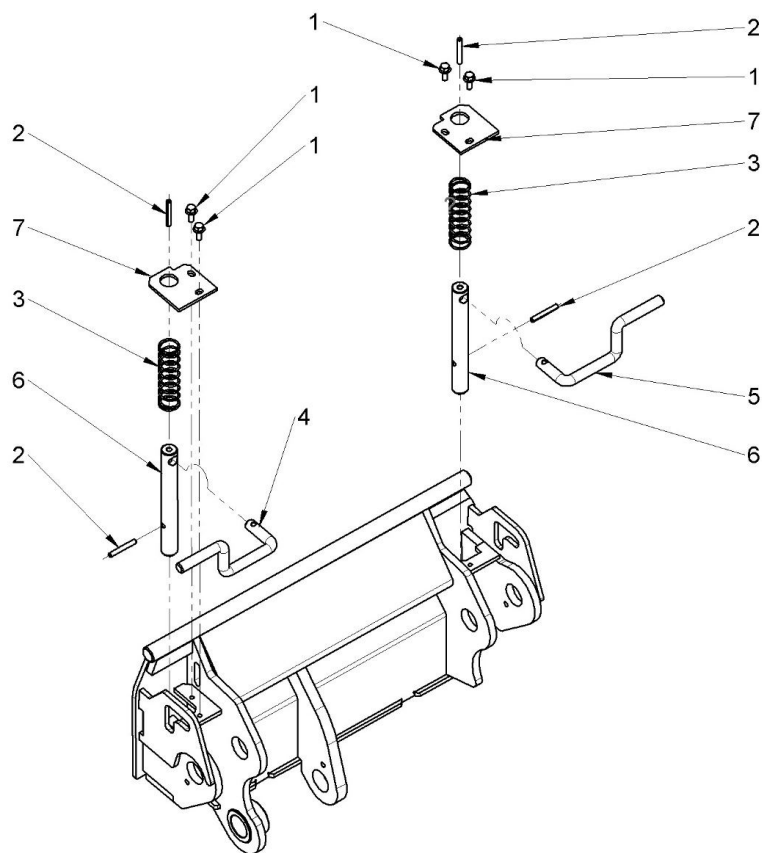


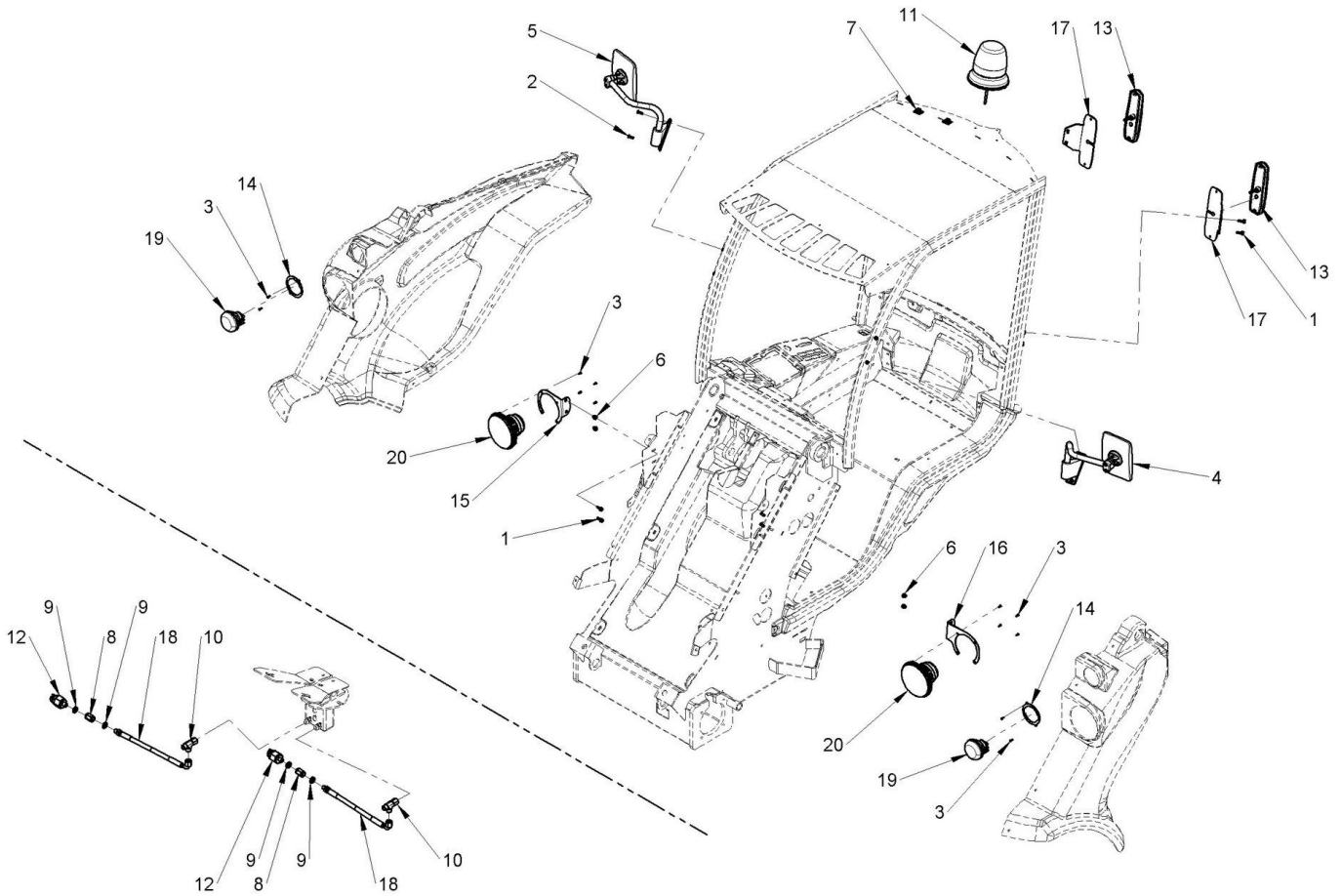
List of machine draft

N.	Draft
10	TAV 10 M1 5 PIASTRA PORTA UTENSILI
28	TAV 28 M1 4-5 ROAD LIGHT
21	TAV 29 M1 5.3 FILTERS
34	TAV 96 INSERTI WEO
1	TAV. 01 M1 5.3 ENGINE AND PUMPS
2	TAV. 02 M1 5.3 ENGINE SUPPORT
3	TAV. 03 M1 5.3 ARTICULATION
4	TAV. 04 M1 5.3 ENGINE MOTORS
5	TAV. 05 M1 5.3 ENGINE COOLER AND FUEL TANK
6	TAV. 06 M1 5 TELESCOPIC BOOM
7	TAV. 07 M1 5.3 VALVE BANK SIDE
8	TAV. 08 M1 5.3 MUFFLER AIR FILTER AND BATTERY
9	TAV. 09 M1 5.3 POWER STEERING
11	TAV. 11 M1 5.3 SEAT ROLL-BAR AND PEDALS
12	TAV. 12 M1 5.3 FRONT COVER SUPPORT
13	TAV. 13 M1 5.3 FRONT PLASTIC COVER
14	TAV. 14 M1 5.3 REAR COVER SUPPORT
15	TAV. 15 M1 5.3 REAR PLASTIC COVER
16	TAV. 16 M1 5.3 SELF LEVELLING
17	TAV. 18 M1 5.3 TRANSMISSION HYDRAULIC CYRCUIT
18	TAV. 19 M1 5.3 SERVICES HYDRAULIC CYRCUIT
37	TAV. 20 M1 5.3 MOBILE BOOM PART
19	TAV. 21 M1 5.3 HAND BRAKE
20	TAV. 22 M1 5.3 DYNAMIC BLOCK SYSTEM
22	TAV. 31 GLASS CABIN
23	TAV. 32 CABIN DETAILS
24	TAV. 33 M1 5.3 HEATING
25	TAV. 35 M1 5.3 FLOATING BOOM
26	TAV. 39 M1 5.3 PEGLIGLAS SMART CABIN
27	TAV. 40 M1 5.3 REVERSE ALLARM
29	TAV. 49 M1 5-8, M1 6SD-8SD REAR BUMPER
30	TAV. 50 SAFETY SIDE ARM
31	TAV. 57 WATER TEMP SENSOR
32	TAV. 59 JOYSTICK MULTI
33	TAV. 60 SWITHES
38	TAV. 95 DECALS
39	TAV. 96 MACHINE MULTICONNECTOR WEO FITTINGS
35	TAV. 98 WHEEL MOTOR DETAILS
36	TAV. 99 HYDRAULIC MULTI COUPLING PLATE, FIX 3 WAY, ATTACHMENTS 3 WAY, ATTACHMENTS 2 WAY



Component list [TAV 10 M1 5 PIASTRA PORTA UTENSILI]

Pos.	Code	Description	Q.ty
1	C019211	M6x16 BOLT UNI 1665	4.00000
2	C028267	SPRING TYPE STRAIGHT PIN ĩ6x40 UNI 6875	4.00000
3	C220330	COMPRESSION SPRING	2.00000
4	C281827	LEFT LEVER, COUPLING PLATE	1.00000
5	C281869	RIGHT LEVER, COUPLING PLATE	1.00000
6	C281870/L	LOCKIN ATTACHMENTS PIN	2.00000
7	C284347	LAMA DI AGGANCIO PIASTRA	2.00000



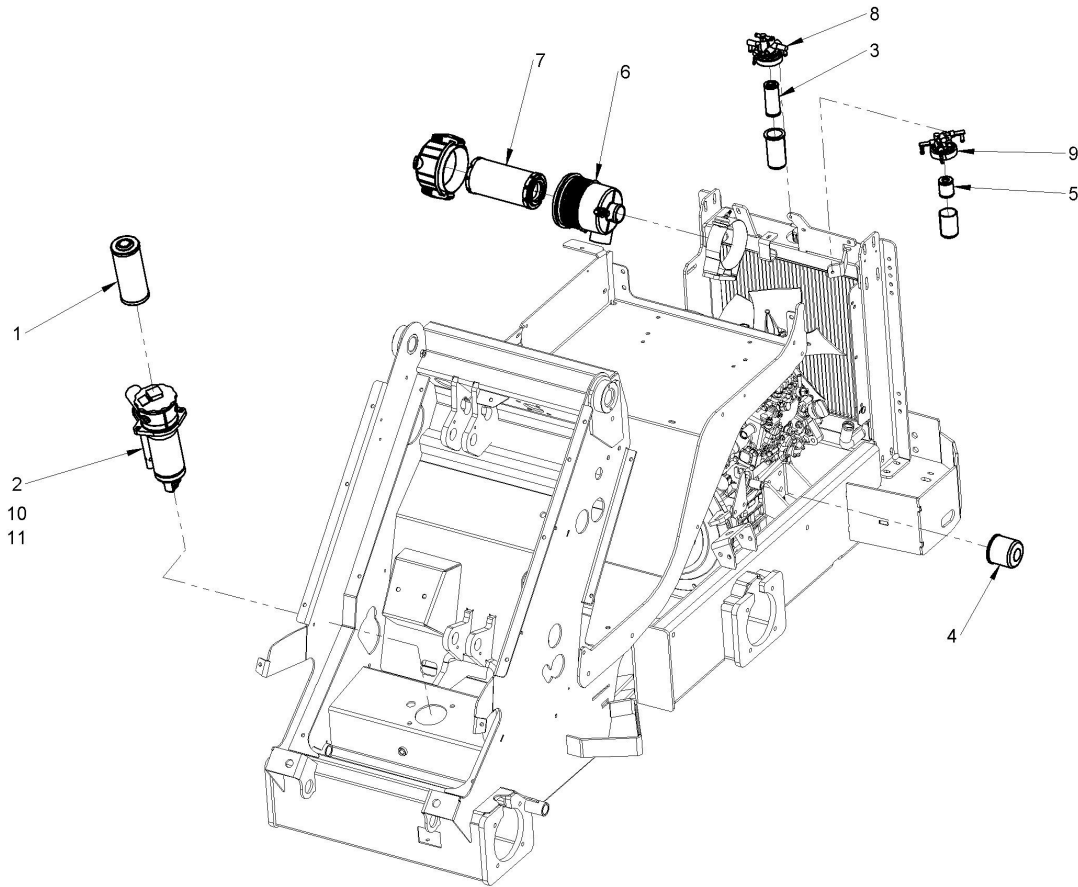
Component list [TAV 28 M1 4-5 ROAD LIGHT]

Pos.	Code	Description	Q.ty
1	C019212	M6x20 BOLT UNI 1665	8.00000
2	C020187	SCREW TSPEI 10.9 M6X20 UNI5933 ZN	4.00000
3	C020302	SELF THREAD SCREW Ø3,5x9,5 UNI6954	12.00000
4	C028021	LEFT REAR VIEW MIRROR FOR S600/SL800/GT900 CABIN	1.00000
5	C028022	RIGHT REAR VIEW MIRROR FOR S600/SL800/GT900 CABIN	1.00000
6	C028271	THREAD INSERT M6	12.00000
7	C029213	CABLE HOLDER	2.00000
8	C030361	CONNECTOR F1/8 GAS F1/8 GAS	2.00000
9	C030549	BONDED WASHER 1/8""GAS	4.00000
10	C033033	T CONNECTION F-M-M 6L	2.00000
11	C034021	FLASHING LIGHT	1.00000
12	C036653	PRESSURE SWITCH 1/8GAS	2.00000
13	C044001	3 FUNCTION REAR LED LIGHT	2.00000
14	C272177	TURNING LIGHT HOLDER FRAME	2.00000
15	C277835	RIGHT FRONT LIGHT SUPPORT S500/600 M1 4-5	1.00000
16	C277838	LEFT FRONT LIGHT SUPPORT S500/600 M1 4-5	1.00000



Draft and part list report
Serial n / code M351241 / C977037
Description MULTIONE 5.3 CERT.CE+MAN.OP.

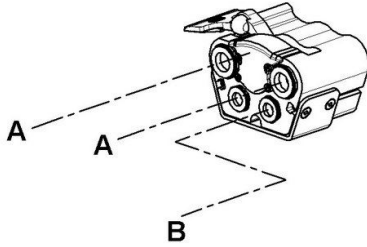
17	C284323	{{>desc}}	2.00000
18	C810402	{{>desc}}	2.00000
19	FF180/02.1105.0000.03	TURNING LIGHT (ORANGE) S600/SL800/GT900	2.00000
20	FF180/05.1042.0500.03	FRONT MAIN LIGHT FOR S600/SL800/GT900	2.00000



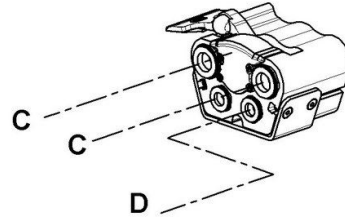
Component list [TAV 29 M1 5.3 FILTERS]

Pos.	Code	Description	Q.ty
1	C036627	CARTRIDGE HYDRAULIC OIL FILTER FOR S500/S600/SL840P/SL800 2 \downarrow GEN	1.00000
2	C036628	FILTER ASSY FOR SL800P/S500/600 2 \downarrow GEN	1.00000
3	C039049	FUEL FILTER CARTRIDGE FOR A600Y,S26,S600Y	1.00000
4	C039050	OIL FILTER FOR YANMAR 3TNE68,3TNV76	1.00000
5	C039053	WATER SEPARATOR FILTER CARTRIDGE SL30,S25,S20,F25,F20,A600Y,S600,S26	1.00000
10	C036646	HANDLE FOR FILTER CARTRIDGE	1.00000
11	C036647	\varnothing 65 O-RING SEAL FOR FILTER HANDLE CUP	1.00000
6	C039054	4" AIR FILTER BODY	1.00000
7	C039058	4" AIR FILTER ELEMENT	1.00000
8	FF163/119833-55620	COMPLETE FUEL FILTER ASSY FOR 3TNE78/82 3TNV76	1.00000
9	FF163/129335-55700	SEPARATOR WATER FILTER, COMPLETE TN \downarrow € 74>88	1.00000

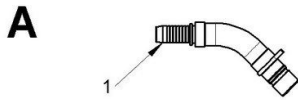
MACHINE MULTICONNECTOR
 MULTIONE 9-10 SERIES



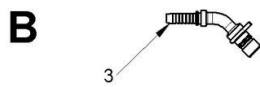
MACHINE MULTICONNECTOR
 MULTIONE 2-4-5-6-7-8 SERIES



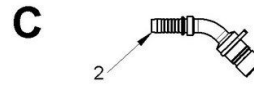
45° FITTING WEO SIZE 3/4"
 FOR 5/8" HOSE



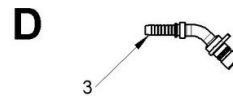
45° FITTING WEO SIZE 1/2"
 FOR 3/8" HOSE



45° FITTING WEO SIZE 3/4"
 FOR 1/2" HOSE



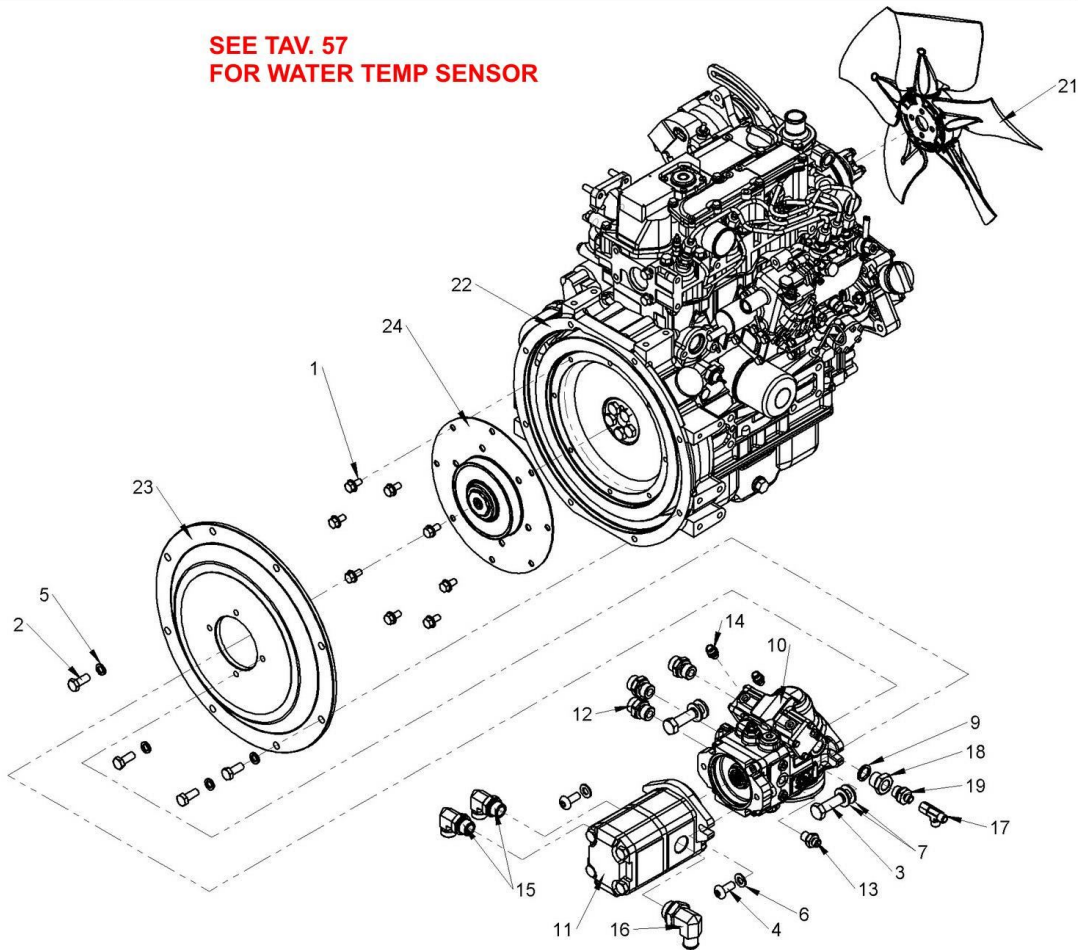
45° FITTING WEO SIZE 1/2"
 FOR 3/8" HOSE



Component list [TAV 96 INSERTI WEO]

Pos.	Code	Description	Q.ty
1	C033401	45° FITTING WEO SIZE 3/4" FOR 5/8" HOSE	1.00000
2	C033402	45° FITTING WEO SIZE 3/4" FOR 1/2" HOSE	1.00000
3	C033405	45° FITTING WEO SIZE 1/2" FOR 3/8" HOSE	1.00000
4	C033410	STRAIGHT FITTING WEO SIZE 1/2" FOR 1/2" HOSE	1.00000
5	C033411	STRAIGHT FITTING WEO SIZE 1/2" FOR 3/8" HOSE	1.00000
6	C033416	90° FITTING WEO SIZE 1/2" FOR 3/8" HOSE	1.00000
7	C033425	STRAIGHT FITTING WEO SIZE 3/8" FOR 3/8" HOSE	1.00000

**SEE TAV. 57
 FOR WATER TEMP SENSOR**



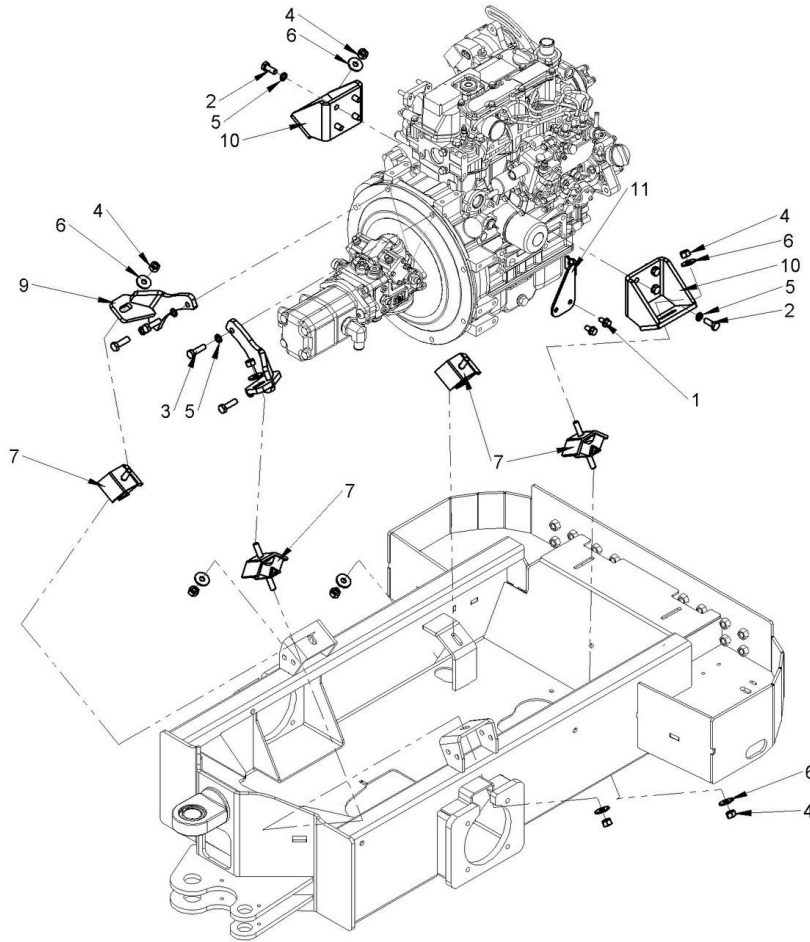
Component list [TAV. 01 M1 5.3 ENGINE AND PUMPS]

Pos.	Code	Description	Q.ty
1	C019201	HEXAGON FLANGE BOLT M8x16 DIN 6921	8.00000
2	C020101	HEXAGON HEAD SCREW 8.8 M10X25 UNI EN ISO 4017	4.00000
3	C020138	HEXAGON HEAD SCREW M14X40 ISO 4017	2.00000
4	C020550	HEXAGON SOCKET OVAL HEAD SCREW 8.8 M10X25 ISO 7380	2.00000
5	C023042	SELF LOCKING FLANGE NORD LOCK M10	4.00000
6	C023080	FLAT WASHER X M10 10.5X20X2	2.00000
7	C023103	FLAT WASHER X M14 15X28X2.5 ZN UNI6592	4.00000
8	C030542	BONDED WASHER 1/2" GAS	1.00000
9	C030547	BONDED WASHER 3/8" GAS	1.00000
10	C031304	HYDROSTATIC PUMP 21CC POCLAIN 5 SERIES	1.00000
11	C030966	6+6cc TWIN GEAR PUMP	1.00000
12	C033003	NIPPLES 1/2" G / 15L	3.00000
13	C033007	NIPPLES 1/4" GAS / 6L	1.00000
14	C033008	NIPPLES 1/8" GAS / 6L	2.00000
15	C033022	90° ELBOW, ADJUSTABLE MALE STUD G 1/2 - MALE 15L	2.00000
16	C033028	3/4" 90° SUCTION HOSE FITTING	1.00000



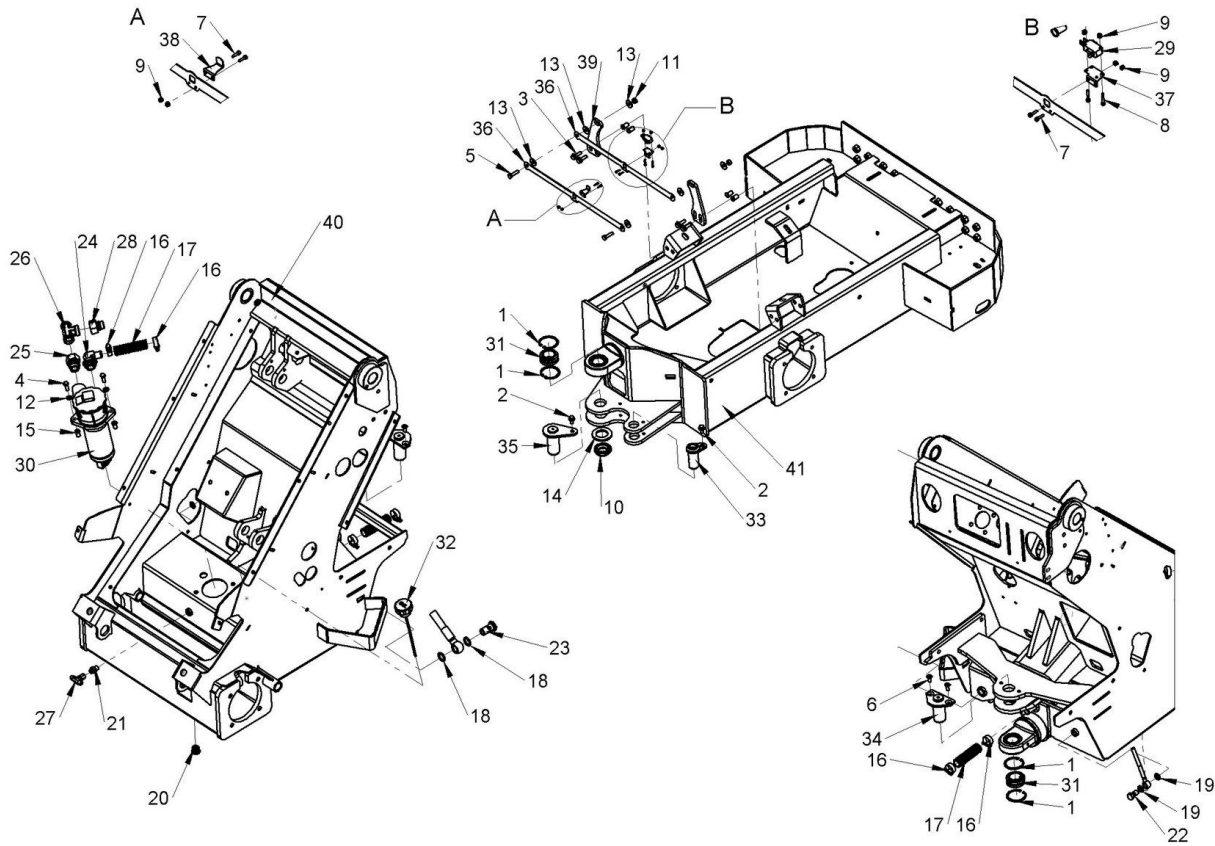
Draft and part list report
Serial n / code M351241 / C977037
Description MULTIONE 5.3 CERT.CE+MAN.OP.

17	C033033	T CONNECTION F-M-M 6L	1.00000
18	C033040	ADAPTER M-F 1/2"" / 3/8"" GAS	1.00000
19	C033173	{{>desc}}	1.00000
20	C033301	{{>desc}}	1.00000
21	C034205	ř340 VARIABLE PITCH FAN	1.00000
22	C039036	YANMAR DIESEL ENGINE 3TNV76	1.00000
23	C039522	PUMP FLANGE SAE 5/SAE A FOR YANMAR	1.00000
24	C039543	Z9 PUMP JOINT	1.00000



Component list [TAV. 02 M1 5.3 ENGINE SUPPORT]

Pos.	Code	Description	Q.ty
1	C019201	HEXAGON FLANGE BOLT M8x16 DIN 6921	2.00000
2	C020101	HEXAGON HEAD SCREW 8.8 M10X25 UNI EN ISO 4017	8.00000
3	C020103	HEXAGON HEAD SCREW M10x35 ISO 4017	4.00000
4	C021503	SELF-LOCKING HEXAGONAL NUT M10 ZN DIN980	8.00000
5	C023042	SELF LOCKING FLANGE NORD LOCK M10	12.00000
6	C023104	FLAT WASHER, M10	8.00000
7	C037406	ENGINE MOUNT FOR S600 YANMAR	4.00000
8	C277428	FRONT LEFT SUPPORT FOR ENGINE S600	1.00000
9	C277431	FRONT RIGHT SUPPORT FOR ENGINE S600	1.00000
10	C277733	REAR ENGINE MOUNT FOR S630 LEFT AND RIGHT	2.00000
11	C277898	BRACKET WIRE THROTTLE (ENGINE SIDE)	1.00000



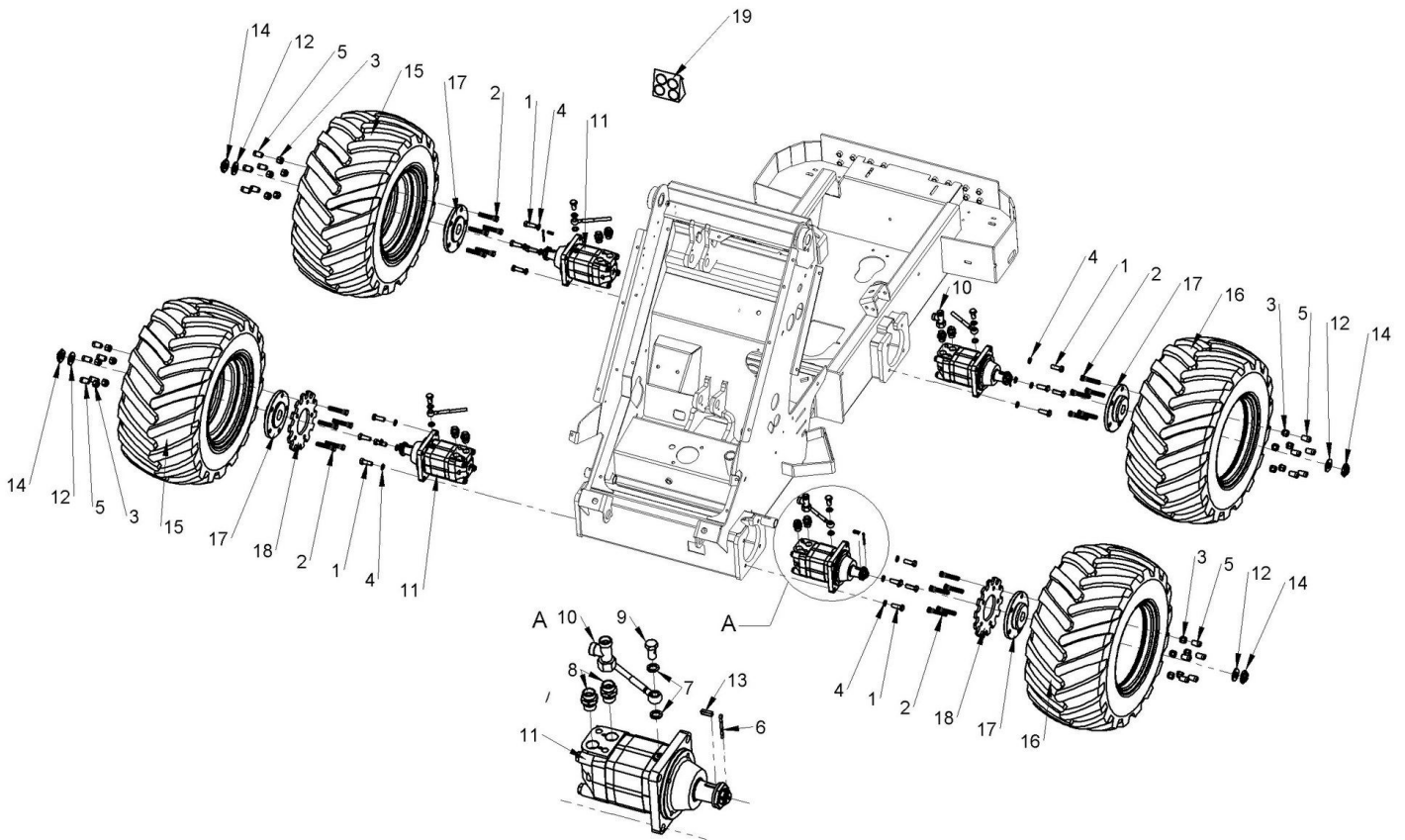
Component list [TAV. 03 M1 5.3 ARTICULATION]

Pos.	Code	Description	Q.ty
1	C018312	SEEGER RING ï55 UNI 7437	4.00000
2	C019201	HEXAGON FLANGE BOLT M8x16 DIN 6921	2.00000
3	C019203	HEXAGON FLANGE BOLT M8x25 ISO 1665	4.00000
4	C020073	HEXAGON HEAD SCREW 8.8 M8x25 UNI EN ISO 4017	2.00000
5	C020074	HEXAGON HEAD SCREW TE 8.8 M8x30 UNI 5739	2.00000
6	C020155	M8X20 SCREW UNI5933	2.00000
7	C020278	HEXAGON SOCKET HEAD CAP SCREW M3x12 DIN 912	4.00000
8	C020279	HEXAGON SOCKET HEAD CAP SCREW M3x18 DIN 912	2.00000
9	C021101	SELF-LOCKING NUT M3 DIN 982	6.00000
10	C021401	GHIERA AUTOBLOCCANTE TIPO PESANTE M35x1.5 (GUP KM7)	1.00000
11	C021502	SLOTTED AND CASTLE HEXAGON NUTS M8 DIN980	2.00000
12	C023071	PLAIN WASHER M8 8.4x16x1.6 UNI6592	2.00000
13	C023100	PLAIN WASHER LARGE SERIES M8 DIN 9021	6.00000
14	C023116	RONDELLA PIANA M36 DIN 125A ï37-ï66-SP 5 PER SPINE CERNIERA INF. S500-S600	1.00000
15	C028270	THREAD INSERT M8	6.00000
16	C029046	STEEL BELT 20/32 MM	4.00000



Draft and part list report
Serial n / code M351241 / C977037
Description MULTIONE 5.3 CERT.CE+MAN.OP.

17	C030102	OIL SUCTION PIPE 19x28	2.00000
18	C030542	BONDED WASHER 1/2" GAS	2.00000
19	C030548	BONDED WASHER 1/4" GAS	2.00000
20	C030610	MAGNETIC MALE PLUG G 1/2"	1.00000
21	C033007	NIPPLES 1/4" GAS / 6L	1.00000
22	C033015	PERFORED BOLT 1/4"	1.00000
23	C033017	VITE PER OCCHIO SINGOLO 1/2"	1.00000
24	C033028	3/4" 90° SUCTION HOSE FITTING	1.00000
25	C033062	JOINT STRAIGHT M3/4"/F22L	1.00000
26	C033078	TEES M-M-M 22L	1.00000
27	C033081	TEES M-F-M 6L	1.00000
28	C033160	ADAPTER F22L - M15L	1.00000
29	C034020	MICROSWITCH	1.00000
30	C036628	FILTER ASSY FOR SL800P/S500/600 2 ^o GEN	1.00000
31	C037678	RADIAL BALL JOINT GE35ES	2.00000
32	C038749	1" G PRESSURIZED LEVEL CUP	1.00000
33	C230164	Ø30x66 PIN	1.00000
34	C230166	FLANGED PIN Ø35 L=73	1.00000
35	C230270	SPINA CERNIERA INF S500-S600	1.00000
36	C272143	SENSOR SWITCH SUPPORT	2.00000
37	C272144	SWITCH HOLDER	1.00000
38	C272145	BRACKET	1.00000
39	C277728	ANTI OVERTURNING SENSOR BRACKET	2.00000
40	C279700	FRONT FRAME S500-S600 3RD GENERATION	1.00000
41	C284300	{{>desc}}	1.00000



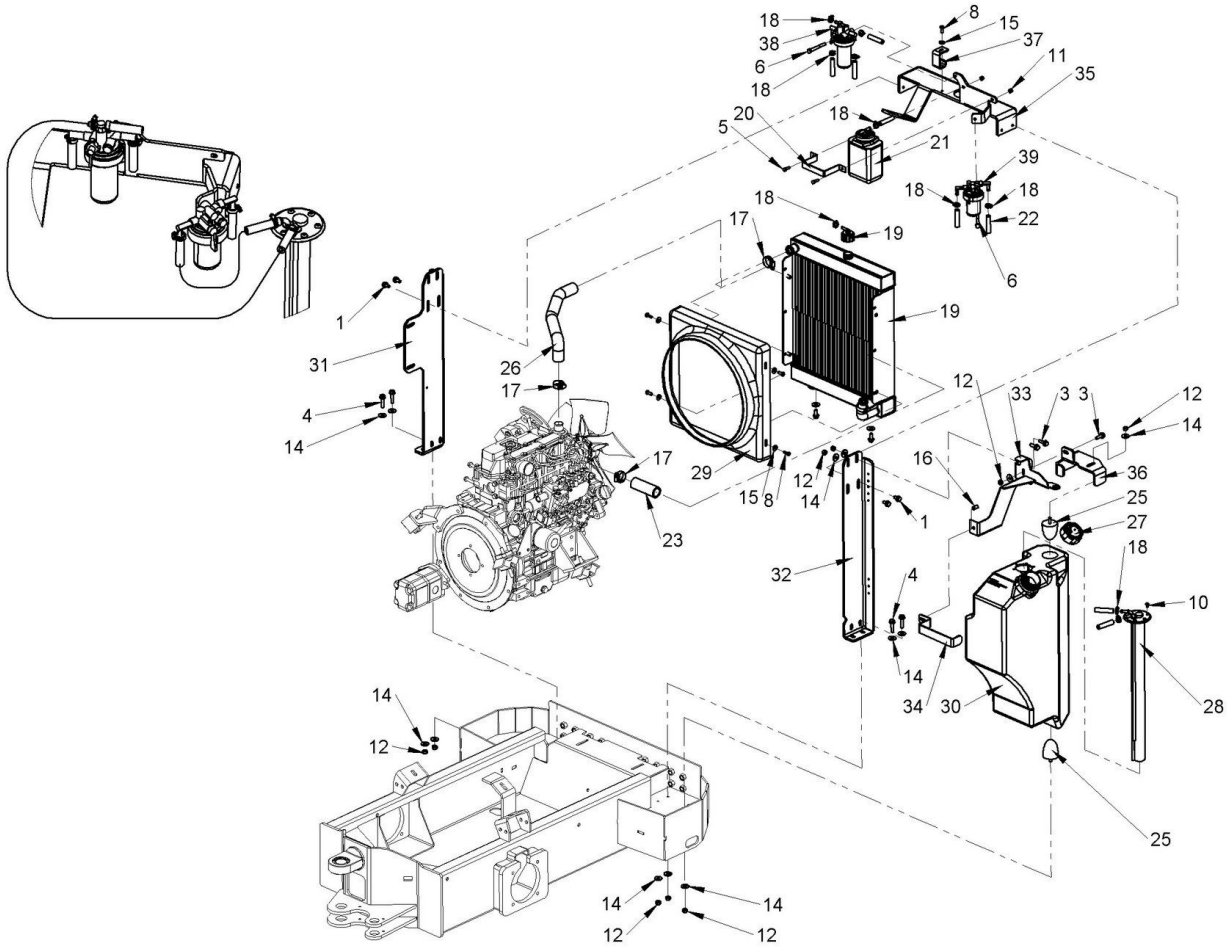
Component list [TAV. 04 M1 5.3 ENGINE MOTORS]

Pos.	Code	Description	Q.ty
1	C020133	{{>desc}}	16.00000
2	C020501	AXLE STUD BOLT M12X1.5X70 ZNB	20.00000
3	C021133	ROUNDED NUT M12X1.5 CH19 ZN	20.00000
4	C023043	SELF LOCKING WASHER M12	16.00000
5	C028051	RUBBER LOCKET FOR TUBE 12X25 BLUE	20.00000
6	C028260	4x40 SPLINT PIN UNI EN ISO 1234	4.00000
7	C030548	BONDED WASHER 1/4" GAS	8.00000
8	C033003	NIPPLES 1/2" G / 15L	8.00000
9	C033015	PERFORED BOLT 1/4"	4.00000
10	C033035	T FITTING F-M-M 15L	2.00000
11	C038591	ORBITAL HYDRAULIC MOTOR 315cc	4.00000
12	C038592_11	{{>desc}}	4.00000
13	C038592_12	{{>desc}}	4.00000
14	C038592_13	{{>desc}}	4.00000
15	C040056 DX	{{>desc}}	2.00000
16	C040056 SX	{{>desc}}	2.00000



Draft and part list report
Serial n / code M351241 / C977037
Description MULTIONE 5.3 CERT.CE+MAN.OP.

17	C271812	HUB FOR ORBITAL WHEEL MOTOR	4.00000
18	C277306	BRAKE SPROCKET	2.00000
19	FF139_151F0111	{{>desc}}	1.00000



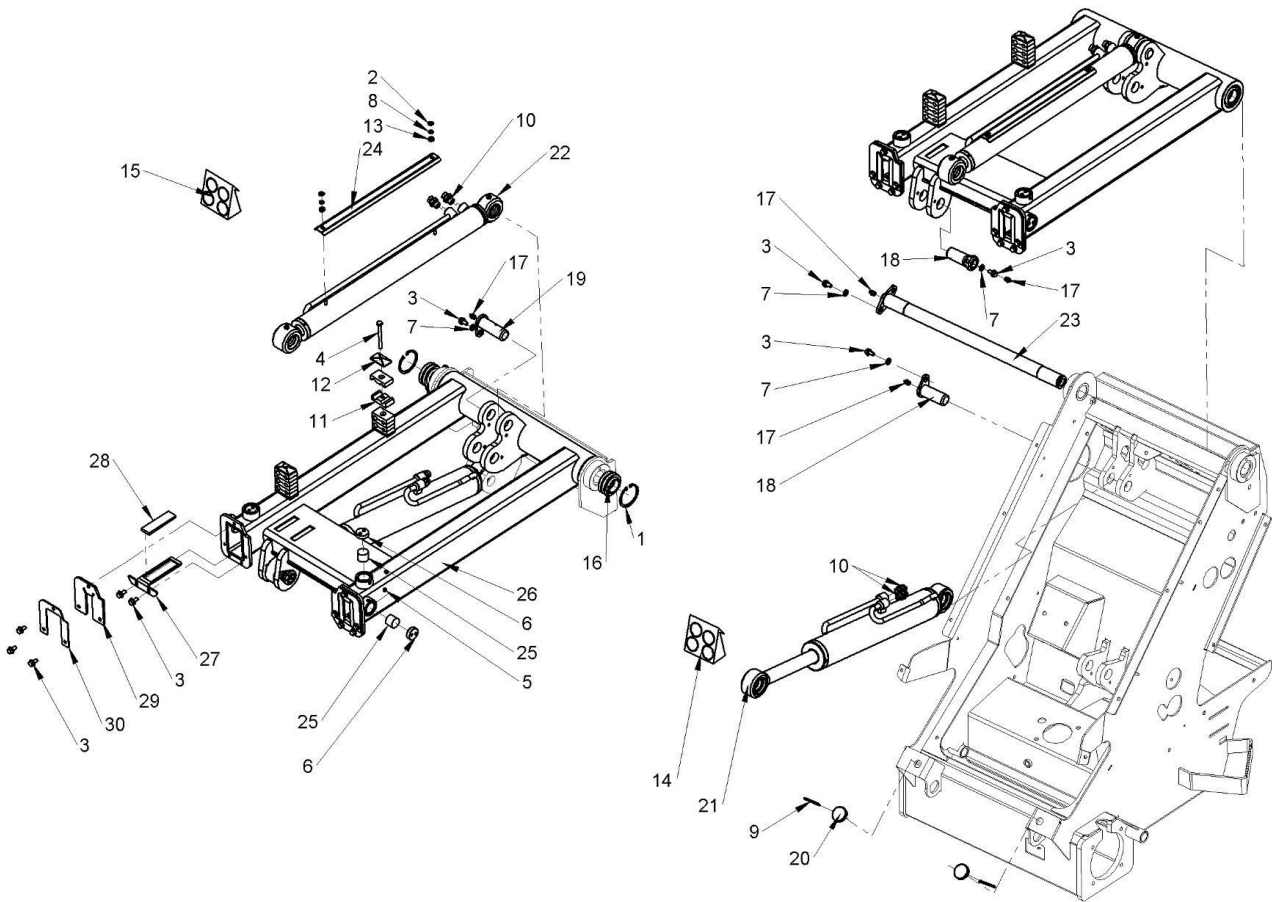
Component list [TAV. 05 M1 5.3 ENGINE COOLER AND FUEL TANK]

Pos.	Code	Description	Q.ty
1	C019201	HEXAGON FLANGE BOLT M8x16 DIN 6921	4.00000
2	C019202	HEXAGON FLANGE BOLT M8x20 DIN 6921	2.00000
3	C019203	HEXAGON FLANGE BOLT M8x25 ISO 1665	3.00000
4	C019205	HEXAGON FLANGE BOLT M8x35 DIN 6921	4.00000
5	C020051	ISO 4017 M6x20 SCREW	2.00000
6	C020086	HEXAGON HEAD BOLT 8.8 M8x70 ISO 4014	2.00000
7	C020101	HEXAGON HEAD SCREW 8.8 M10x25 UNI EN ISO 4017	3.00000
8	C020548	HEXAGON SOCKET OVAL HEAD SCREW M6x20 ZN UNI/ISO 7380	5.00000
9	C020550	HEXAGON SOCKET OVAL HEAD SCREW 8.8 M10x25 ISO 7380	1.00000
10	C020561	HEXAGON SOCKET OVAL HEAD SCREW M5x10 ISO 7380	6.00000
11	C021104	PREVAILING TORQUE-TYPE HEXAGONAL NUTS WITH POLYAMIDE RING M6 UNI 7473	2.00000
12	C021502	SLOTTED AND CASTLE HEXAGON NUTS M8 DIN980	9.00000
13	C023080	FLAT WASHER X M10 10.5X20X2	1.00000
14	C023100	PLAIN WASHER LARGE SERIES M8 DIN 9021	15.00000
15	C023110	PLAIN WASHER LARGE SERIES M6 6.5X18X1.5 DIN9021	5.00000
16	C028271	THREAD INSERT M6	5.00000



Draft and part list report
Serial n / code M351241 / C977037
Description MULTIONE 5.3 CERT.CE+MAN.OP.

17	C029032	STAINLESS STEEL CLAMP 30-45 BELT 12	4.00000
18	C029038	STEEL BAND 10-16	10.00000
19	C030620	ENGINE WATER COOLER	1.00000
20	C034090	COOLANT TANK BRACKET	1.00000
21	C034091	COOLANT TANK	1.00000
22	C035003	FUEL PIPE 7X13	7.00000
23	C035006	BLUE RADIATOR TUBE 27X36	1.00000
24	C035018	HOSE 7X12	1.00000
25	C035139	SILENT BLOCK T-50 Ĩ50 H=58 M8x20	2.00000
26	C035151	INLET ENGINE COOLER PIPE	1.00000
27	C038723	FUEL CUP, NO KEY	1.00000
28	C038758	6.3 7.3 8.4 FUEL SENSOR	1.00000
29	C041412	ENGINE COOLER AIR CONVEYOR	1.00000
30	C220489	24 LT FUEL TANK MULTIONE 6 SERIE	1.00000
31	C281634	RIGHT ENGINE COOLER SUPPORT REV.04	1.00000
32	C281636	LEFT ENGINE COOLER SUPPORT REV.05	1.00000
33	C282279	LEFT SIDE COVER SUPPORT	1.00000
34	C282353	DIESEL TANK BRACKET	1.00000
35	C284307	SUPPORT UPPER RADIATOR	1.00000
36	C284311	SUPPORT FOR DIESEL TANK	1.00000
37	C284322	RADIATOR BRACKET	1.00000
38	FF163/119833-55620	COMPLETE FUEL FILTER ASSY FOR 3TNE78/82 3TNV76	1.00000
39	FF163/129335-55700	SEPARATOR WATER FILTER, COMPLETE TN ĩ€ 74>88	1.00000



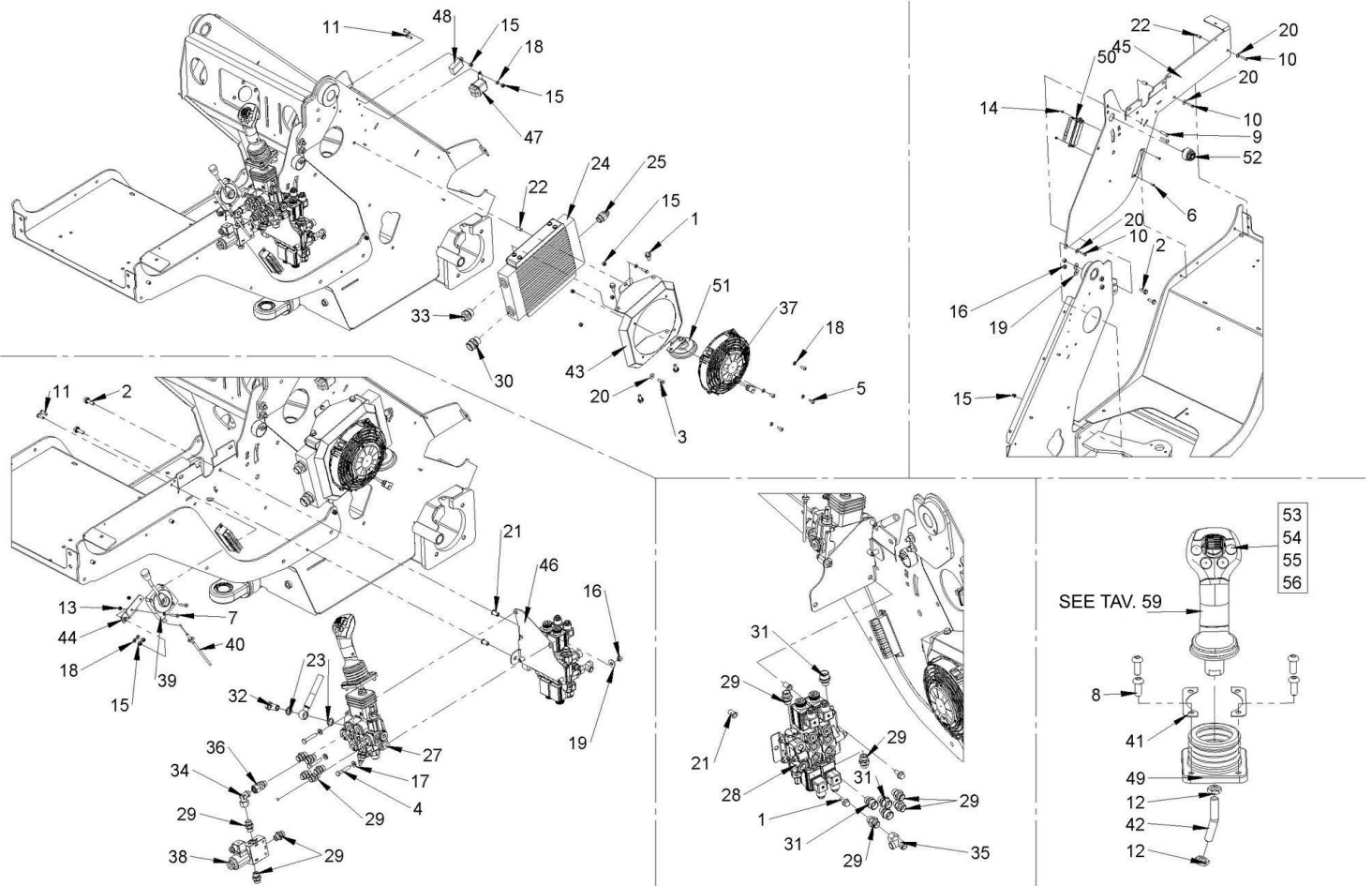
Component list [TAV. 06 M1 5 TELESCOPIC BOOM]

Pos.	Code	Description	Q.ty
1	C018310	BORES SEEGER RING ĩ62 DIN 472	2.00000
2	C018326	RETAINING WASHER ĩ6	2.00000
3	C019201	HEXAGON FLANGE BOLT M8x16 DIN 6921	14.00000
4	C020081	HEX HEAD SCREW 8.8 M8X80 UNI ISO 4017	2.00000
5	C020566	STRAIGHT THREAD E.I. M8X8 UNI5927 ZB	4.00000
6	C021413	SETTING HEAD 1"G	4.00000
7	C023041	NORD LOCK WASHER M8	4.00000
8	C023090	FLAT WASHER M6 6.4x12x1.6 UNI 6592	2.00000
9	C028260	ĩ4x40 SPLINT PIN UNI EN ISO 1234	2.00000
10	C033001	NIPPLES 3/8" G / 12L	4.00000
11	C035119	DOUBLE HOSE HOLDER, ĩ12 AND ĩ15	12.00000
12	C035140	UPPER PLATE FOR HOSE HOLDER, TWIN	2.00000
13	C036006	FAIRLEAD Ø6x9x20 TH. 2mm	2.00000
14		{{>desc}}	1.00000
15		{{>desc}}	1.00000
16	C037637	GE 35 FO 2RS RADIAL SPHERICAL PLAIN BEARING	2.00000



Draft and part list report
Serial n / code M351241 / C977037
Description MULTIONE 5.3 CERT.CE+MAN.OP.

17	C090030	GREASER M10X1 UNI 7663A	4.00000
18	C230162	FLANGED PIN I30 L=76	2.00000
19	C230849	FLANGED PIN I30x84	1.00000
20	C272257	INNER SLIDING PAD FOR S/SL TELE BOOM 2009	2.00000
21	C277345	CYLINDER 70-35-335 S600 LIFTING BOOM	1.00000
22	C277348	CYLINDER 50-30-550 BOOM EXTENSION	1.00000
23	C277360	S600/500 BOOM PIN, UPPER	1.00000
24	C279632	HOSE HOLDER PLATE	1.00000
25	C281859	SLIDING STUD M1 5->10 SERIES	4.00000
26	C284333	FIXED PART S500/600 3RD GENERATION BOOM	1.00000
27	C284339	SLIDING PAD BOOM BRACKET	2.00000
28	C284340/L	SLIDING PAD	2.00000
29	C284341/L	TELESCOPIC ARM RUBBER PROTECTION	2.00000
30	C284349	LAMA DI AGGANCIAMENTO PIASTRA	2.00000



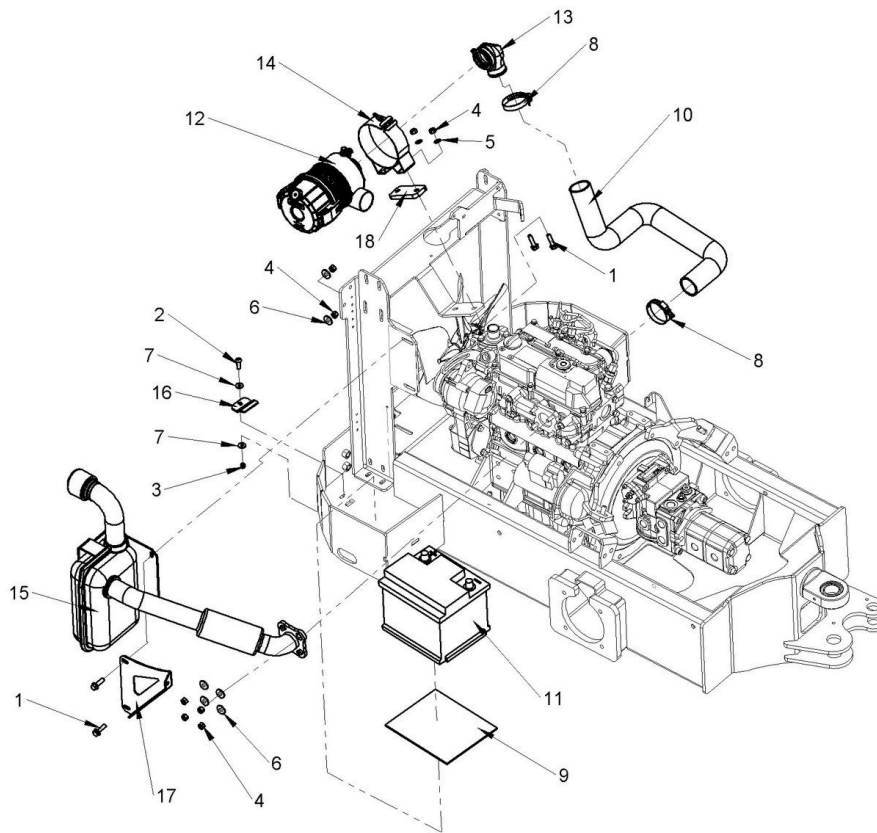
Component list [TAV. 07 M1 5.3 VALVE BANK SIDE]

Pos.	Code	Description	Q.ty
1	C019202	HEXAGON FLANGE BOLT M8X20 DIN 6921	6.00000
2	C019203	HEXAGON FLANGE BOLT M8X25 ISO 1665	2.00000
3	C020051	ISO 4017 M6x20 SCREW	2.00000
4	C020078	HEXAGON HEAD SCREW M8X45 UNI 5739	3.00000
5	C020145	HEXAGON SOCKET OVAL HEAD SCREW M6x16 ISO 7380	4.00000
6	C020282	SCREW TCTC M4X12 ZN UNI 7687	2.00000
7	C020291	HEXAGON SOCKET COUNTERSUNK HEAD CAP SCREW 10.9 M5x35 UNI 5933	2.00000
8	C020541	HEXAGON SOCKET OVAL HEAD SCREW M8x20 ISO 7380	4.00000
9	C020544	SCREW TBEI M8x30 ZN UNI/ISO 7380	2.00000
10	C020546	HEXAGON SOCKET OVAL HEAD SCREW M6x25 ISO 7380	3.00000
11	C020548	HEXAGON SOCKET OVAL HEAD SCREW M6x20 ZN UNI/ISO 7380	4.00000
12	C021013	HEXAGON NUT M10 UNI 5589	2.00000
13	C021102	PREVAILING TORQUE - TYPE HEXAGON NUT WITH POLYAMIDE RING M5 DIN 982	2.00000
14	C021103	SELF LOCKING NUT M4 DIN 982	2.00000
15	C021104	PREVAILING TORQUE-TYPE HEXAGONAL NUTS WITH POLYAMIDE RING M6 UNI 7473	9.00000
16	C021502	SLOTTED AND CASTLE HEXAGON NUTS M8 DIN980	3.00000



Draft and part list report
Serial n / code M351241 / C977037
Description MULTIONE 5.3 CERT.CE+MAN.OP.

17	C023041	NORD LOCK WASHER M8	3.00000
18	C023090	FLAT WASHER M6 6.4x12x1.6 UNI 6592	9.00000
19	C023100	PLAIN WASHER LARGE SERIES M8 DIN 9021	3.00000
20	C023110	PLAIN WASHER LARGE SERIES M6 6.5X18X1.5 DIN9021	4.00000
21	C028270	THREAD INSERT M8	6.00000
22	C028271	THREAD INSERT M6	4.00000
23	C030547	BONDED WASHER 3/8"" GAS	2.00000
24	C030587	OIL COOLER FOR MULTIONE S 600 SERIES	1.00000
25	C030606	THERMOSWITCH 50-60!	1.00000
27	C030770	S630+ 2nd GEN. HYDRAULIC DISTRIBUTOR (BOOM)	1.00000
28	C030771	S630+ 2nd GEN. ELECTRIC DISTRIBUTOR (AUX)	1.00000
29	C033001	NIPPLES 3/8"" G / 12L	13.00000
30	C033004	NIPPLES 3/4" G - 22L	1.00000
31	C033010	3/8"-15L MALE JOINT	4.00000
32	C033016	VITE PER OCCHIO SINGOLO 3/8""	1.00000
33	C033020	NIPPLES 3/4" G - 15L	1.00000
34	C033024	ELBOW FITTING F12L ORIENT. /M12L	1.00000
35	C033032	T-CONNECTION F-M-M 12L	1.00000
36	C033046	M 3/8" G - FG 12L STRAIGHT JOINT	1.00000
37	C034001	190mm ELECTRIC FAN	1.00000
38	C036621	ELECTROVALVE 3WAY G3/8 12V DC	1.00000
39	C038711	WATERPROOF THROTTLE CONTROL HAND LEVER	1.00000
40	C038712	THROTTLE CABLE SL800	1.00000
41	C284378	RUBBER PROTECTION FRAME	2.00000
42	C272094	M10 JOYSTICK PIN	1.00000
43	C277316	CONVOGLIATORE RADIATORE OLIO S600	1.00000
44	C277686	SUPPORTO PER LEVA ACCELERATORE S500-600 2012	1.00000
45	C277687	FIANCO DX SUPPORTO DISTRIBUTORI S500-S600 REV.05	1.00000
46	C277738	SUPPORT	1.00000
47	FF162/1569465990	KUBOTA PRE HEATING ELECTRONIC RELAY	1.00000
48	FF162/T007031410	KUBOTA D722/D902 TIMER	1.00000
49	FF180/42.0001.0001	JOYSTICK RUBBER PROTECTION FOR S630/SL800/GT900	1.00000
50	FF180/AK 67111	FUSE BOX	1.00000
51	FF180/AV.	{{>desc}}	1.00000
52	FF382/15.002.005	{{>desc}}	1.00000



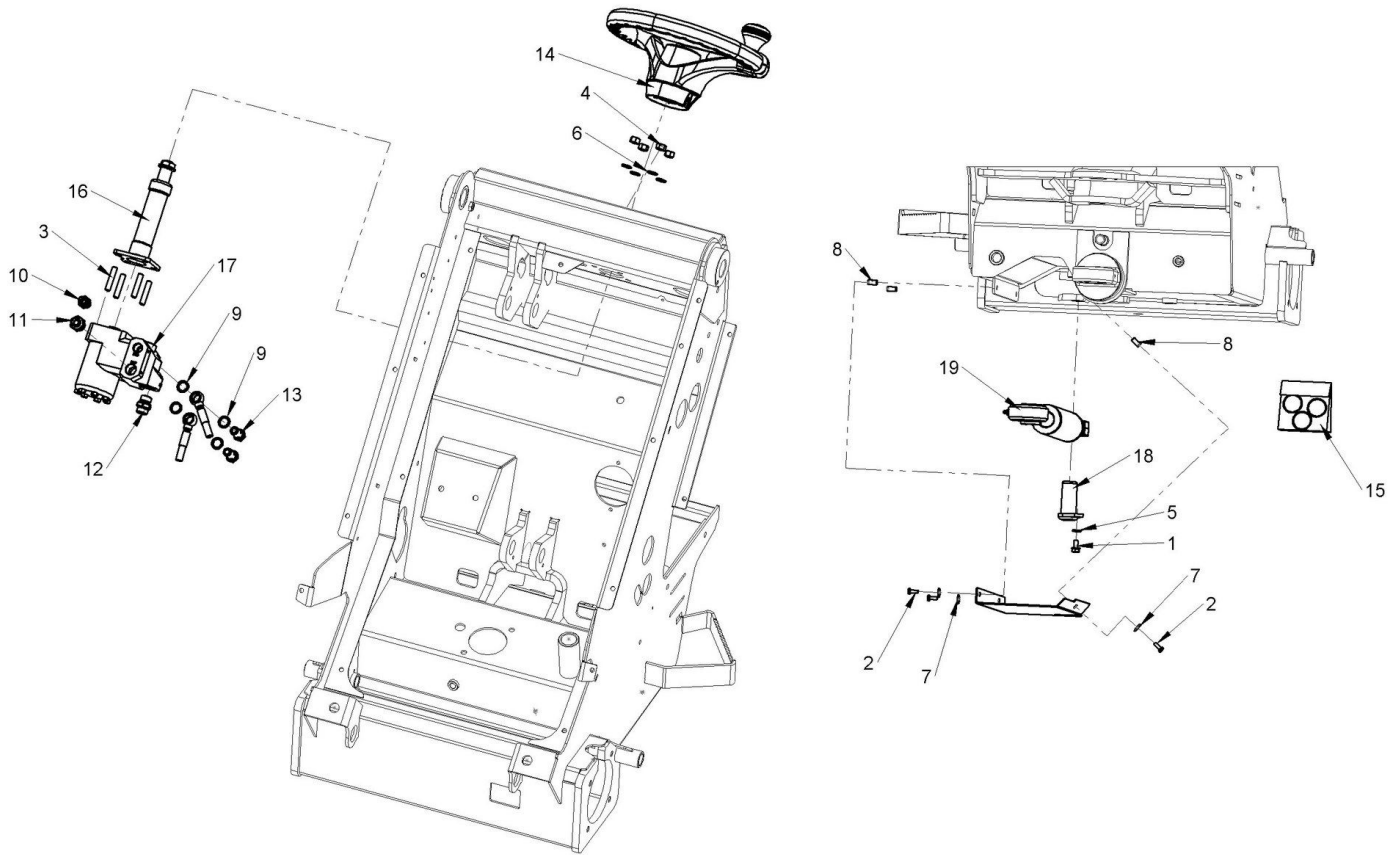
Component list [TAV. 08 M1 5.3 MUFFLER AIR FILTER AND BATTERY]

Pos.	Code	Description	Q.ty
1	C019204	HEXAGON FLANGE BOLT M8X30 ZB UNI EN ISO 1665	4.00000
2	C020545	M8x35 ISO 7380 SCREW	1.00000
3	C021104	PREVAILING TORQUE-TYPE HEXAGONAL NUTS WITH POLYAMIDE RING M6 UNI 7473	1.00000
4	C021502	SLOTTED AND CASTLE HEXAGON NUTS M8 DIN980	8.00000
5	C023071	PLAIN WASHER M8 8.4x16x1.6 UNI6592	2.00000
6	C023100	PLAIN WASHER LARGE SERIES M8 DIN 9021	6.00000
7	C023110	PLAIN WASHER LARGE SERIES M6 6.5X18X1.5 DIN9021	2.00000
8	C029031	CLAMP MEB 12 INOX 40-60	2.00000
9	C029253	PANNELLO IN GOMMA ANTIVIBRAZIONI mm. 210x175 Sp. 3	1.00000
10	C036018	AIR INTAKE PIPE	1.00000
11	C036433	BATTERY 12V 44 AH	1.00000
12	C039054	4" AIR FILTER BODY	1.00000
13	C039100	90° AIR PIPE 4" / 144 MALE	1.00000
14	C039151	MOUNTING BAND FOR 4" AIR FILTER	1.00000
15	C039209	5.3 MUFFLER	1.00000
16	C277108	BATTERY BRACKET	1.00000



Draft and part list report
Serial n / code M351241 / C977037
Description MULTIONE 5.3 CERT.CE+MAN.OP.

17	C282275	RIGHT COVER SUPPORT	1.00000
18	C284319	AIR FILTER SPACER	1.00000



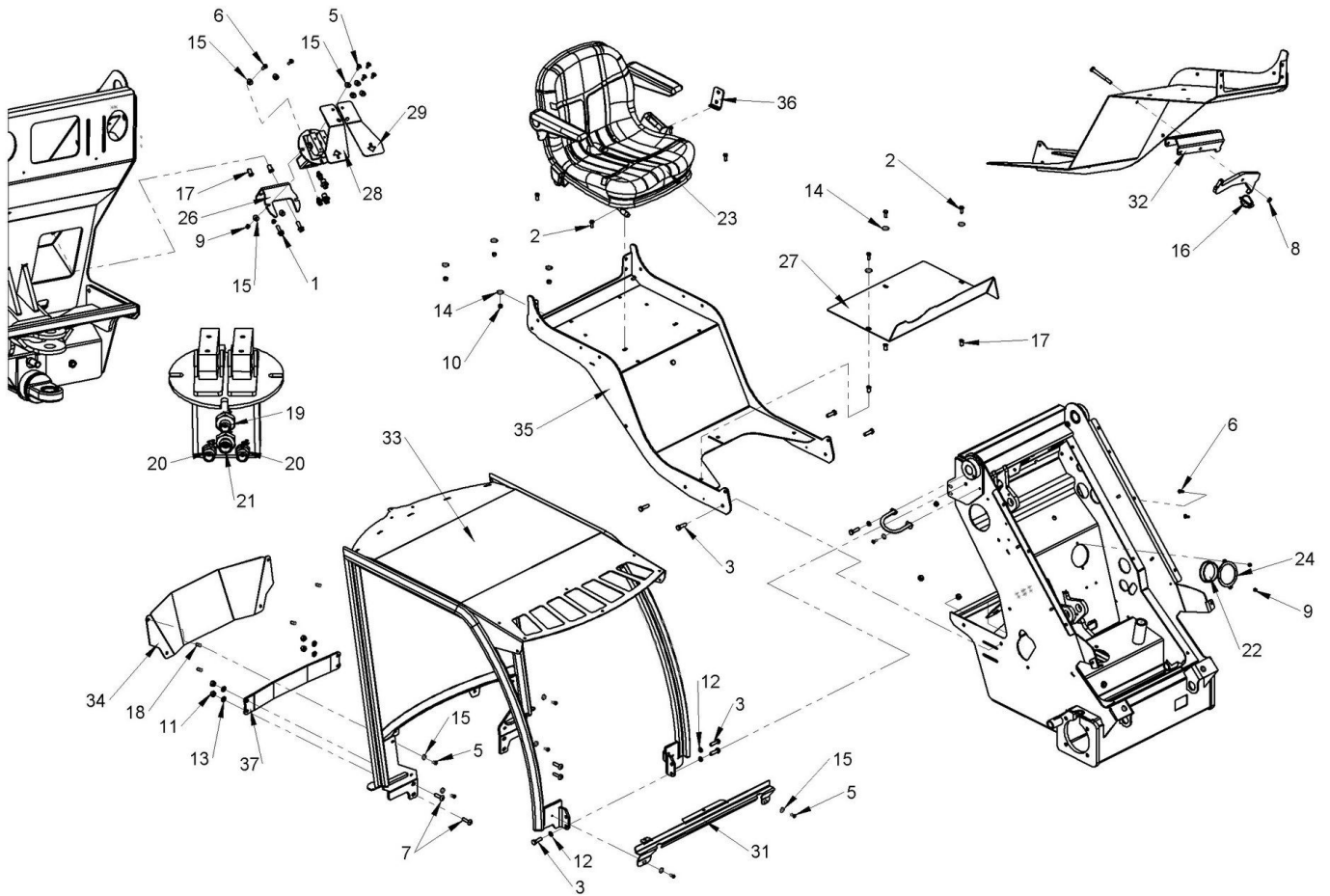
Component list [TAV. 09 M1 5.3 POWER STEERING]

Pos.	Code	Description	Q.ty
1	C019201	HEXAGON FLANGE BOLT M8x16 DIN 6921	1.00000
2	C020050	HEXAGON HEAD PIPE PLUG M6X16 UNI 5739	3.00000
3	C020551	THREAD BAR M10X50	4.00000
4	C021503	SELF-LOCKING HEXAGONAL NUT M10 ZN DIN980	4.00000
5	C023041	NORD LOCK WASHER M8	1.00000
6	C023080	FLAT WASHER X M10 10.5X20X2	4.00000
7	C023110	PLAIN WASHER LARGE SERIES M6 6.5X18X1.5 DIN9021	3.00000
8	C028271	THREAD INSERT M6	3.00000
9	C030547	BONDED WASHER 3/8" G / GAS	4.00000
10	C033001	NIPPLES 3/8" G / 12L	1.00000
11	C033002	NIPPLES 1/2" G / 12L	1.00000
12	C033003	NIPPLES 1/2" G / 15L	1.00000
13	C033016	VITE PER OCCHIO SINGOLO 3/8"	2.00000
14	C036465	STEERING WHEEL BLUE	1.00000
15		{{>desc}}	1.00000
16	C038507	STUDBOLT CSF0110165	1.00000



Draft and part list report
Serial n / code M351241 / C977037
Description MULTIONE 5.3 CERT.CE+MAN.OP.

17	C038510	STEERING UNIT S/SL/GT>2007/MIG 80CC	1.00000
18	C230164	Ø30x66 PIN	1.00000
19	C272070	STEERING CYLINDER S-SL-GT	1.00000
20	C277685	CARTER PROTEZIONE CILINDRO IDROGUIDA S500-S600	1.00000



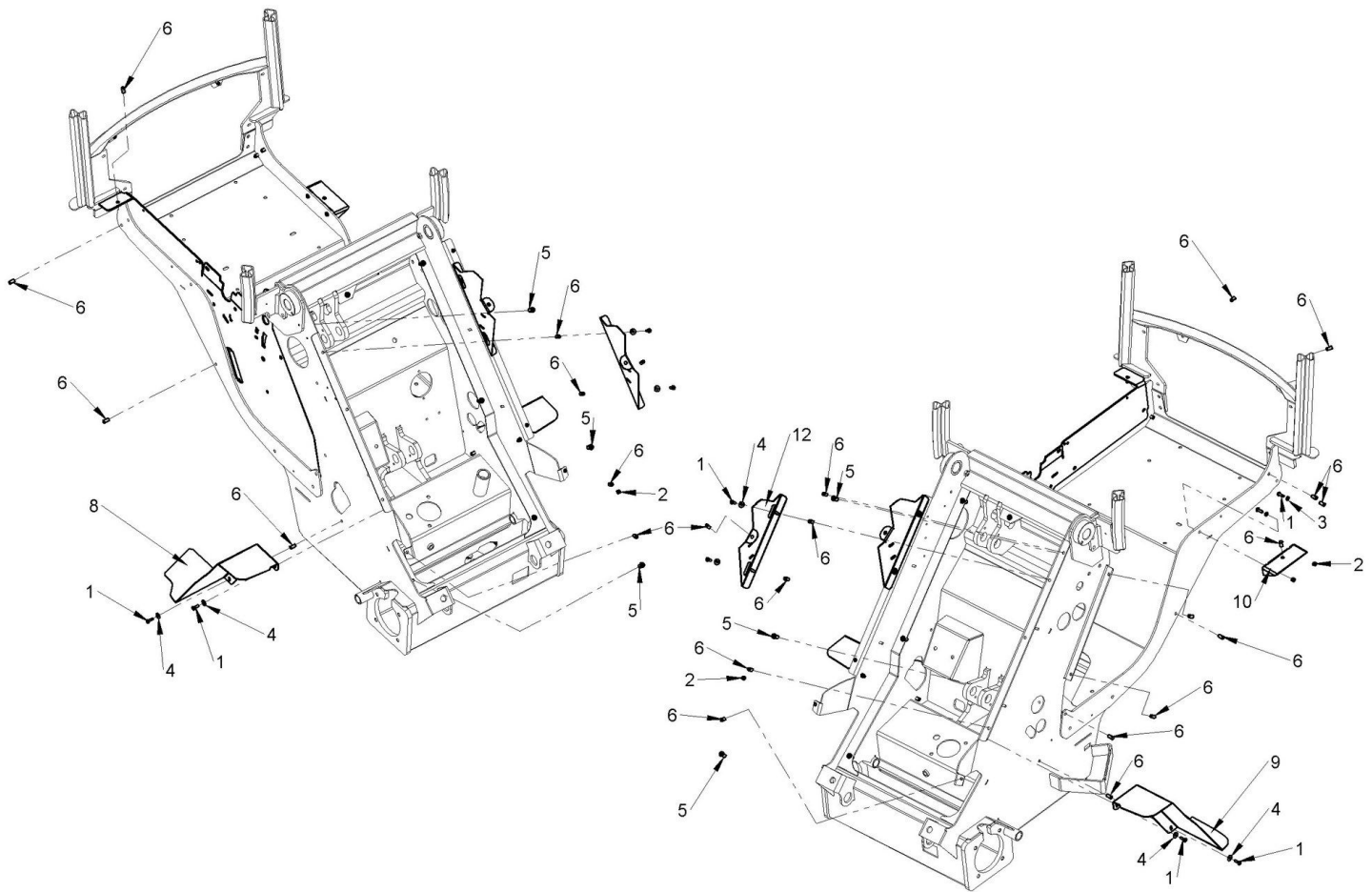
Component list [TAV. 11 M1 5.3 SEAT ROLL-BAR AND PEDALS]

Pos.	Code	Description	Q.ty
1	C019203	HEXAGON FLANGE BOLT M8X25 ISO 1665	2.00000
2	C020072	HEXAGON HEAD BOLT 8.8 M8X20 UNI 5739	7.00000
3	C020103	HEXAGON HEAD SCREW M10x35 ISO 4017	8.00000
4	C020114	SCREW TE 8.8 M10X90 ZB UNI 5737 FILETTO PARZIALE	1.00000
5	C020145	HEXAGON SOCKET OVAL HEAD SCREW M6x16 ISO 7380	11.00000
6	C020548	HEXAGON SOCKET OVAL HEAD SCREW M6x20 ZN UNI/ISO 7380	4.00000
7	C020103	HEXAGON HEAD SCREW M10x35 ISO 4017	4.00000
8	C021013	HEXAGON NUT M10 UNI 5589	1.00000
9	C021104	PREVAILING TORQUE-TYPE HEXAGONAL NUTS WITH POLYAMIDE RING M6 UNI 7473	4.00000
10	C021502	SLOTTED AND CASTLE HEXAGON NUTS M8 DIN980	4.00000
11	C021503	SELF-LOCKING HEXAGONAL NUT M10 ZN DIN980	8.00000
12	C023042	SELF LOCKING FLANGE NORD LOCK M10	4.00000
13	C023080	FLAT WASHER X M10 10.5X20X2	4.00000
14	C023100	PLAIN WASHER LARGE SERIES M8 DIN 9021	7.00000
15	C023110	PLAIN WASHER LARGE SERIES M6 6.5X18X1.5 DIN9021	15.00000
16	C028201	SPRING PIN 6 MM	1.00000



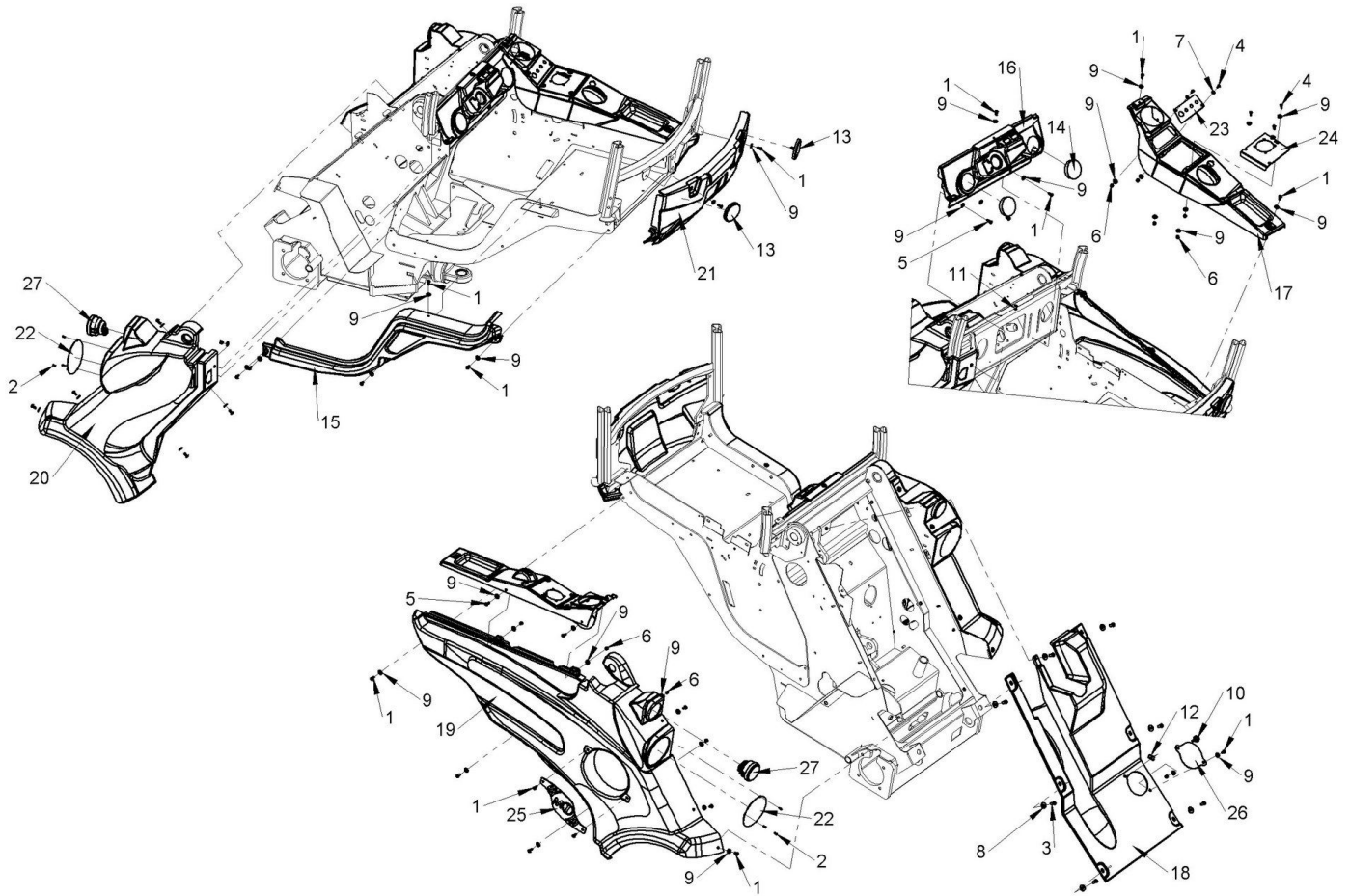
Draft and part list report
Serial n / code M351241 / C977037
Description MULTIONE 5.3 CERT.CE+MAN.OP.

17	C028270	THREAD INSERT M8	5.00000
18	C028271	THREAD INSERT M6	4.00000
19	C033007	NIPPLES 1/4"" GAS / 6L	1.00000
20	C033008	NIPPLES 1/8"" GAS / 6L	2.00000
21	C033134	NIPPLES 1/4GAS-8L	1.00000
22	C035043	PLASTIC END CUP DIA 76	1.00000
23	C036750	ERGONOMIC SEAT FOR MULTIONE 2009 BLUE	1.00000
24	C272053	JETS FAN FLANGE	1.00000
25	C277288	HOSE HOLDER JUMPER SHAPE	1.00000
26	C277292	PEDAL SUPPORT M1 4-5	1.00000
27	C277293	FOOT-BOARD S600	1.00000
28	C277302	S600 FORWARD PEDAL	1.00000
29	C277303	BACKWARD PEDAL, S500/600 M1 4-5	1.00000
30	C277305	ARTICULATION LOCK S600	1.00000
31	C277315	S600 FRONT DASHBOARD HOLDER	1.00000
32	C277317	FERMO DI SICUREZZA BRACCIO S600 REV.01	1.00000
33	C284350	{{>desc}}	1.00000
34	C284364	REAR SEAT SUPPORT	1.00000
35	C284365	SEAT SUPPORT	1.00000
36	C284368	ADDICTET BRACKET FOR SAFETY BELT	1.00000
37	C284369	REAR JOINT ROLL BAR	1.00000



Component list [TAV. 12 M1 5.3 FRONT COVER SUPPORT]

Pos.	Code	Description	Q.ty
1	C020548	HEXAGON SOCKET OVAL HEAD SCREW M6x20 ZN UNI/ISO 7380	10.00000
2	C021104	PREVAILING TORQUE-TYPE HEXAGONAL NUTS WITH POLYAMIDE RING M6 UNI 7473	4.00000
3	C023090	FLAT WASHER M6 6.4x12x1.6 UNI 6592	2.00000
4	C023110	PLAIN WASHER LARGE SERIES M6 6.5X18X1.5 DIN9021	8.00000
5	C028270	THREAD INSERT M8	7.00000
6	C028271	THREAD INSERT M6	26.00000
7	C274258	GLASS HOLDER FOR CABIN	1.00000
8	C277275	FRONT RIGHT MUDGUARD FOR S600	1.00000
9	C277275	FRONT RIGHT MUDGUARD FOR S600	1.00000
10	C277290	SUPPORT FOR COVER (DOOR SIDE) FOR S600	1.00000
11	C277685	CARTER PROTEZIONE CILINDRO IDROGUIDA S500-S600	1.00000
12	C277837	LEFT WORKING LIGHT SUPPORT S500-S600	1.00000
13	C277839	RIGHT WORKING LIGHT SUPPORT S500-S600 S500-S600	1.00000



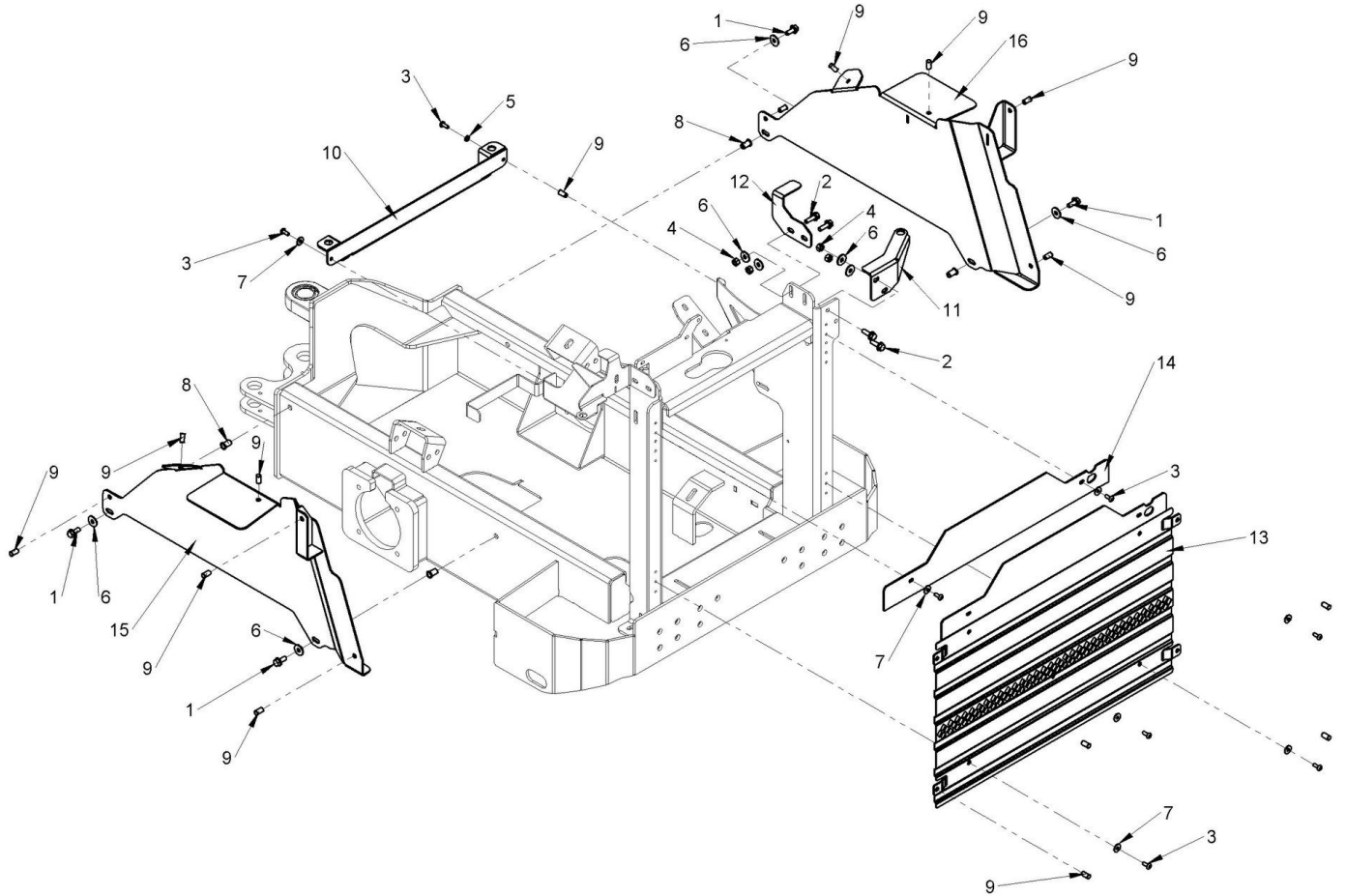
Component list [TAV. 13 M1 5.3 FRONT PLASTIC COVER]

Pos.	Code	Description	Q.ty
1	C020145	HEXAGON SOCKET OVAL HEAD SCREW M6x16 ISO 7380	27.00000
2	C020302	SELF THREAD SCREW Ø3,5x9,5 UNI6954	6.00000
3	C020541	HEXAGON SOCKET OVAL HEAD SCREW M8x20 ISO 7380	7.00000
4	C020547	HEXAGON SOCKET OVAL HEAD SCREW M5x16 ISO 7380	5.00000
5	C020548	HEXAGON SOCKET OVAL HEAD SCREW M6x20 ZN UNI/ISO 7380	3.00000
6	C021104	PREVAILING TORQUE-TYPE HEXAGONAL NUTS WITH POLYAMIDE RING M6 UNI 7473	11.00000
7	C023090	FLAT WASHER M6 6.4x12x1.6 UNI 6592	2.00000
8	C023100	PLAIN WASHER LARGE SERIES M8 DIN 9021	7.00000
9	C023110	PLAIN WASHER LARGE SERIES M6 6.5X18X1.5 DIN9021	42.00000
10	C028024	THREE-LOBED LOWERED HANDWHEEL WITH M6x20 THREADED PIN	1.00000
11	C028271	THREAD INSERT M6	1.00000
12	C028285	MULTITHREAD U-TYPE NUT M6	1.00000
13	C034018	Ø80 RED RETRO REFLECTOR	2.00000
14	C035043	PLASTIC END CUP DIA 76	2.00000
15	C041261	FRONT LEFT SIDE DOOR OUTLINE FOR S600 BLUE RAL5017	1.00000
16	C041282	FRONT DASHBOARD	1.00000



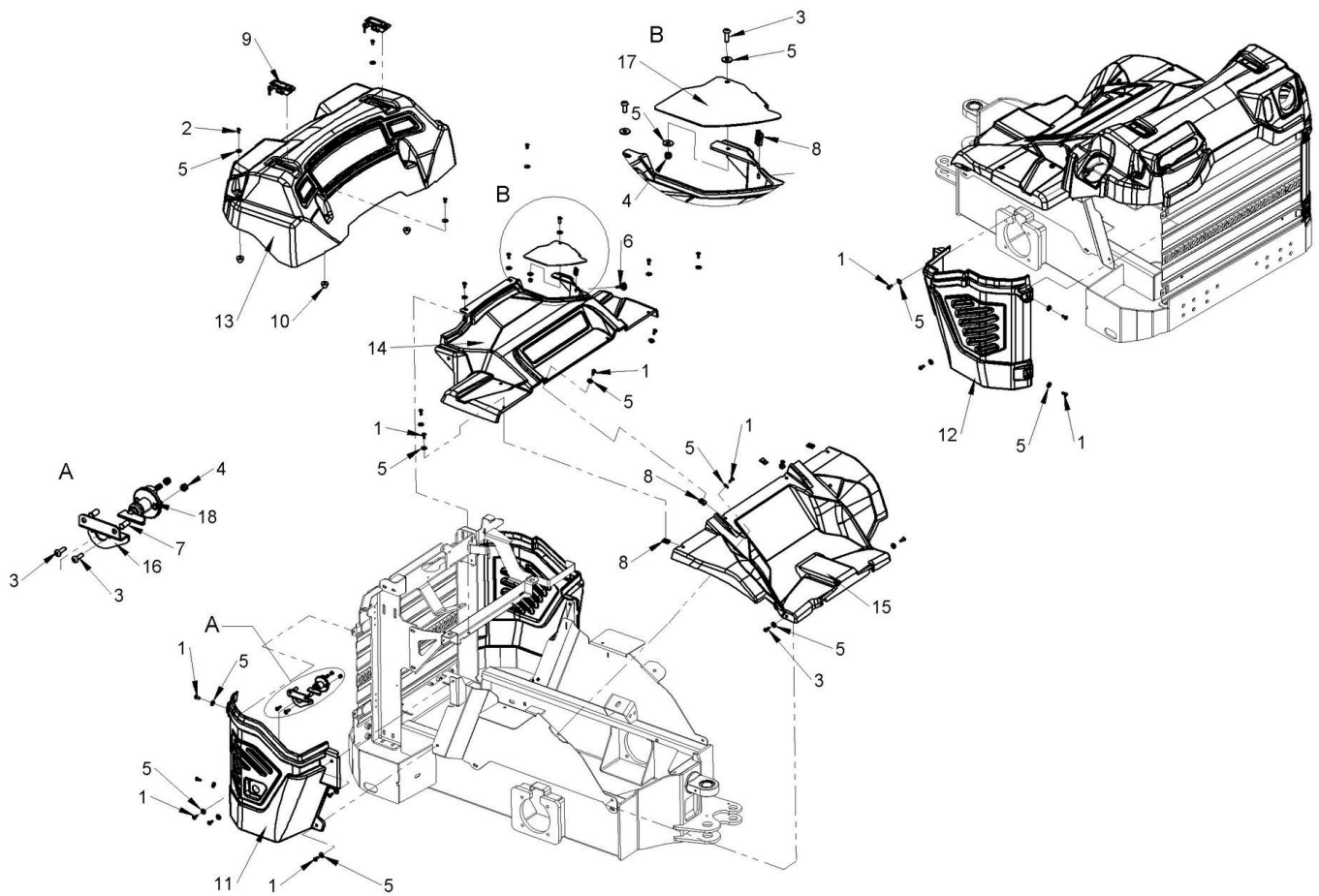
Draft and part list report
Serial n / code M351241 / C977037
Description MULTIONE 5.3 CERT.CE+MAN.OP.

17	C041283	CONSOLLE	1.00000
18	C041403	UNDER BOOM COVER FOR S500-S600 3RD GENERATION	1.00000
19	C041406	FRONT RIGHT ROAD LIGHT MUDGUARD (DIRECTION ARROW=WORK LIGHT)	1.00000
20	C041407	FRONT LEFT ROAD LIGHT MUDGUARD (DIRECTION ARROW=WORK LIGHT)	1.00000
21	C041550	M1 5.3 6.3 OVER ENGINE COVER ASSEMBLY	1.00000
22	C274023	MAIN LIGHT CAP	2.00000
23	C277689	SWITCH DASHBOARD S500/600	1.00000
24	C277739	JOYSTICK STICKER SUPPORT S630+ M1 5.3	1.00000
25	C284320	COOLER FAN COVER	1.00000
26	C284374	{{>desc}}	1.00000
27	FF180/05.0697.0000.03	FRONT WORKING LIGHT, HALOGEN	2.00000



Component list [TAV. 14 M1 5.3 REAR COVER SUPPORT]

Pos.	Code	Description	Q.ty
1	C019202	HEXAGON FLANGE BOLT M8X20 DIN 6921	4.00000
2	C019203	HEXAGON FLANGE BOLT M8X25 ISO 1665	4.00000
3	C020145	HEXAGON SOCKET OVAL HEAD SCREW M6x16 ISO 7380	8.00000
4	C021502	SLOTTED AND CASTLE HEXAGON NUTS M8 DIN980	5.00000
5	C023090	FLAT WASHER M6 6.4x12x1.6 UNI 6592	1.00000
6	C023100	PLAIN WASHER LARGE SERIES M8 DIN 9021	9.00000
7	C023110	PLAIN WASHER LARGE SERIES M6 6.5X18X1.5 DIN9021	7.00000
8	C028270	THREAD INSERT M8	4.00000
9	C028271	THREAD INSERT M6	15.00000
10	C282276	CENTRAL COVER SUPPORT	1.00000
11	C282277	RIGHT SIDE COVER SUPPORT	1.00000
12	C282278	ENGINE COVER SUPPORT	1.00000
13	C283067	RADIATOR NET	1.00000
14	C283074	PLATE ABOVE RADIATOR NET	1.00000
15	C284315	{{>desc}}	1.00000
16	C284318	REAR RIGHT REMOVABLE SIDE	1.00000



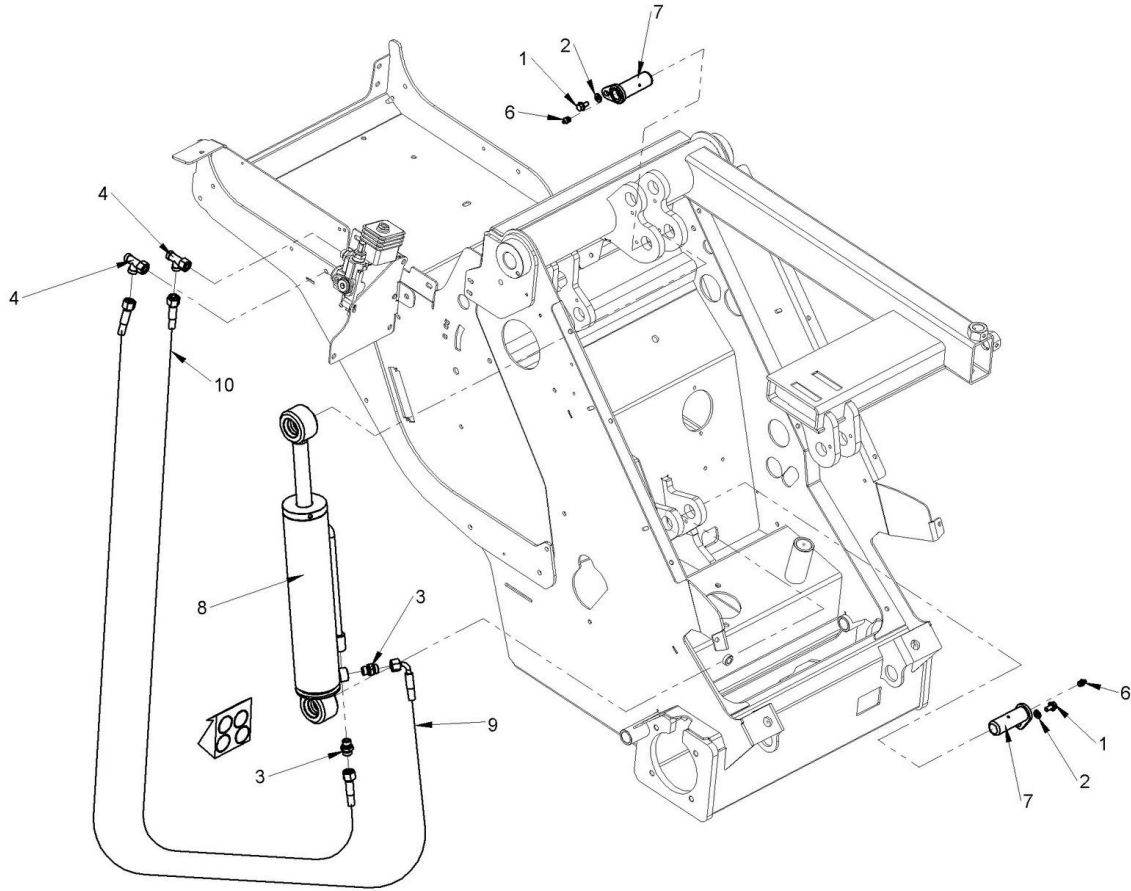
Component list [TAV. 15 M1 5.3 REAR PLASTIC COVER]

Pos.	Code	Description	Q.ty
1	C020145	HEXAGON SOCKET OVAL HEAD SCREW M6x16 ISO 7380	20.00000
2	C020542	HEXAGON SOCKET OVAL HEAD SCREW M6x12 ZN ISO 7380	4.00000
3	C020548	HEXAGON SOCKET OVAL HEAD SCREW M6x20 ZN UNI/ISO 7380	5.00000
4	C021104	PREVAILING TORQUE-TYPE HEXAGONAL NUTS WITH POLYAMIDE RING M6 UNI 7473	3.00000
5	C023110	PLAIN WASHER LARGE SERIES M6 6.5X18X1.5 DIN9021	28.00000
6	C028024	THREE-LOBED LOWERED HANDWHEEL WITH M6x20 THREADED PIN	1.00000
7	C028271	THREAD INSERT M6	2.00000
8	C028285	MULTITHREAD U-TYPE NUT M6	5.00000
9	C035045	LOCK HANDLE	2.00000
10	C035142	PARABOLIC SILENT BLOCK Ĩ24 H=16	4.00000
11	C041450	REAR RIGHT SIDE	1.00000
12	C041451	REAR LEFT SIDE	1.00000
13	C041473	M1 4 5 6 OVER ENGINE COVER ASSEMBLY	1.00000
14	C041552	M1 5.3 6.3 OVER ENGINE COVER ASSEMBLY	1.00000
15	C041553	M1 5.3 6.3 OVER ENGINE COVER ASSEMBLY	1.00000
16	C281889	BATTERY SWITCH SUPPORT	1.00000



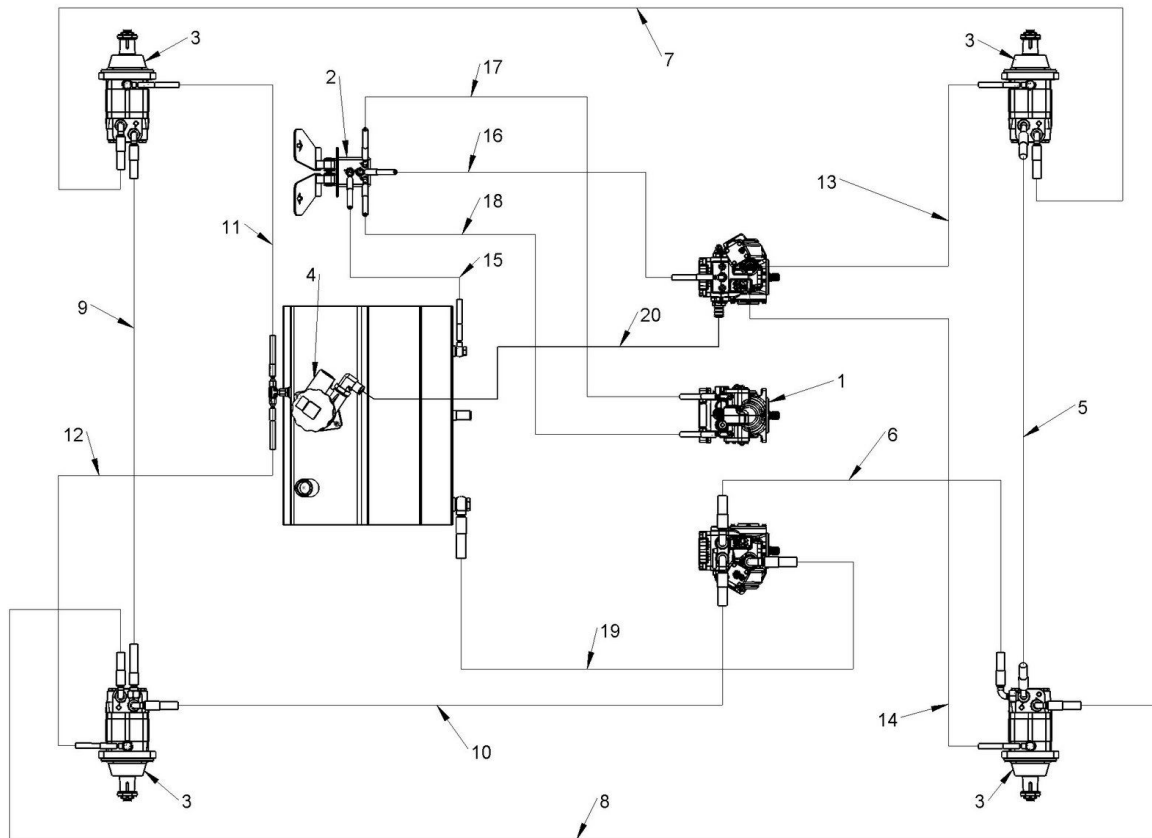
Draft and part list report
Serial n / code M351241 / C977037
Description MULTIONE 5.3 CERT.CE+MAN.OP.

17	C284314	DIP STICK ACCES DOOR	1.00000
18	FF180/0034.0303	BATTERY SWITCH	1.00000



Component list [TAV. 16 M1 5.3 SELF LEVELLING]

Pos.	Code	Description	Q.ty
1	C019201	HEXAGON FLANGE BOLT M8x16 DIN 6921	2.00000
2	C023041	NORD LOCK WASHER M8	2.00000
3	C033001	NIPPLES 3/8" G / 12L	2.00000
4	C033032	T-CONNECTION F-M-M 12L	2.00000
5		{{>desc}}	1.00000
6	C090030	GREASER M10X1 UNI 7663A	2.00000
7	C230849	FLANGED PIN I30x84	2.00000
8	C279627	SLAVE CYLINDER FOR SELF LEVELLING FOR S500-S600 3RD GEN	1.00000
9	C810275/01	{{>desc}}	1.00000
10	C810275/01	{{>desc}}	1.00000



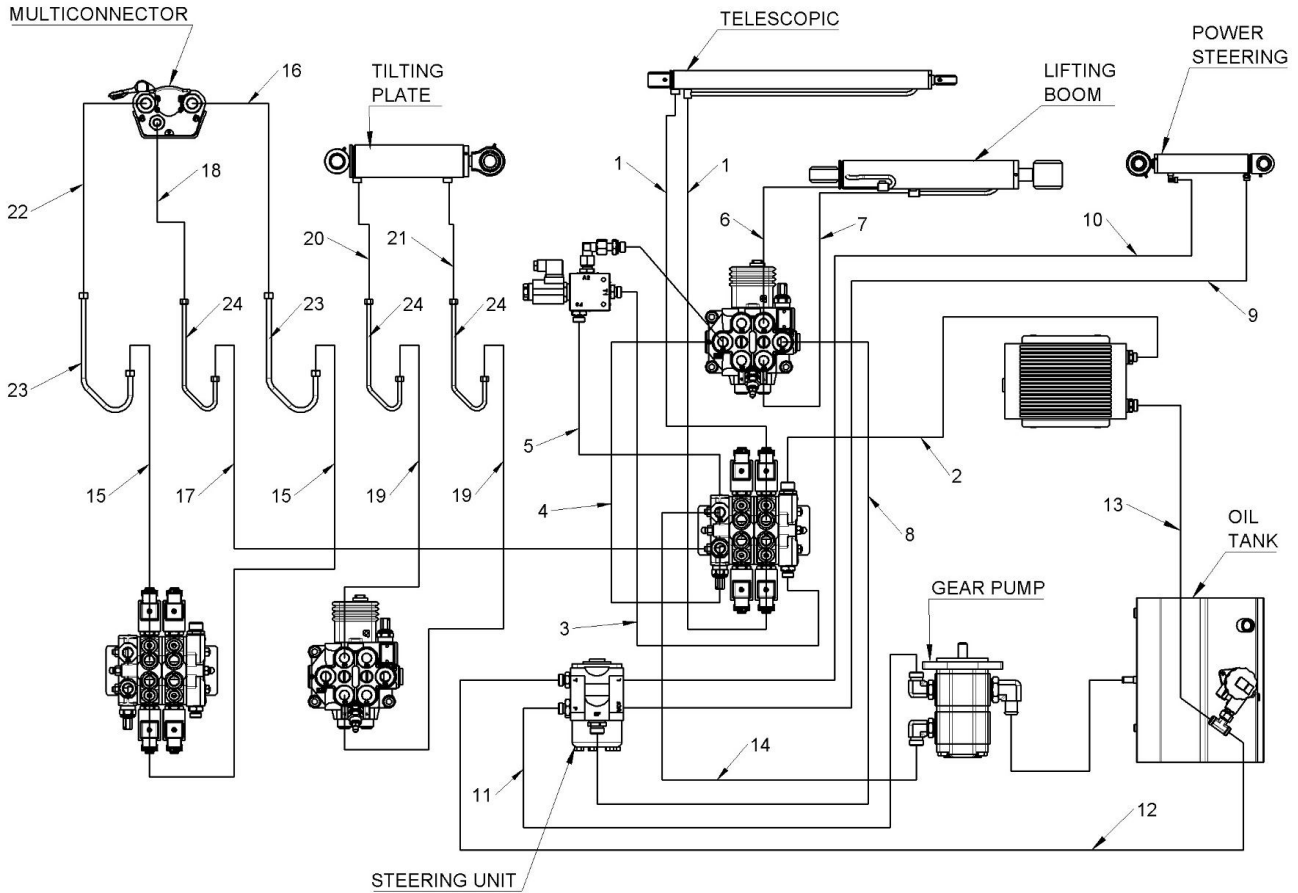
Component list [TAV. 18 M1 5.3 TRANSMISSION HYDRAULIC CYRCUIT]

Pos.	Code	Description	Q.ty
1	C031304	HYDROSTATIC PUMP 21CC POCLAIN 5 SERIES	1.00000
2	C030729	TWIN PEDAL CONTROL BLOCK W/OUT PEDAL	1.00000
3	C038591	ORBITAL HYDRAULIC MOTOR 315cc	4.00000
4	C036628	FILTER ASSY FOR SL800P/S500/600 2 GEN	1.00000
5	C810340_01	{{>desc}}	1.00000
6	C810340_02	{{>desc}}	1.00000
7	C810340_03	{{>desc}}	1.00000
8	C810340_04	{{>desc}}	1.00000
9	C810340_05	{{>desc}}	1.00000
10	C810340_06	{{>desc}}	1.00000
11	C810340_25	{{>desc}}	1.00000
12	C810340_26	{{>desc}}	1.00000
13	C810340_27	{{>desc}}	1.00000
14	C810340_28	{{>desc}}	1.00000
15	C810340_29	{{>desc}}	1.00000
16	C810340_30	{{>desc}}	1.00000



Draft and part list report
Serial n / code M351241 / C977037
Description MULTIONE 5.3 CERT.CE+MAN.OP.

17	C810340_31	{{>desc}}	1.00000
18	C810340_32	{{>desc}}	1.00000
19	C810340_33	{{>desc}}	1.00000
20	C030102	OIL SUCTION PIPE ï19x28	1.00000



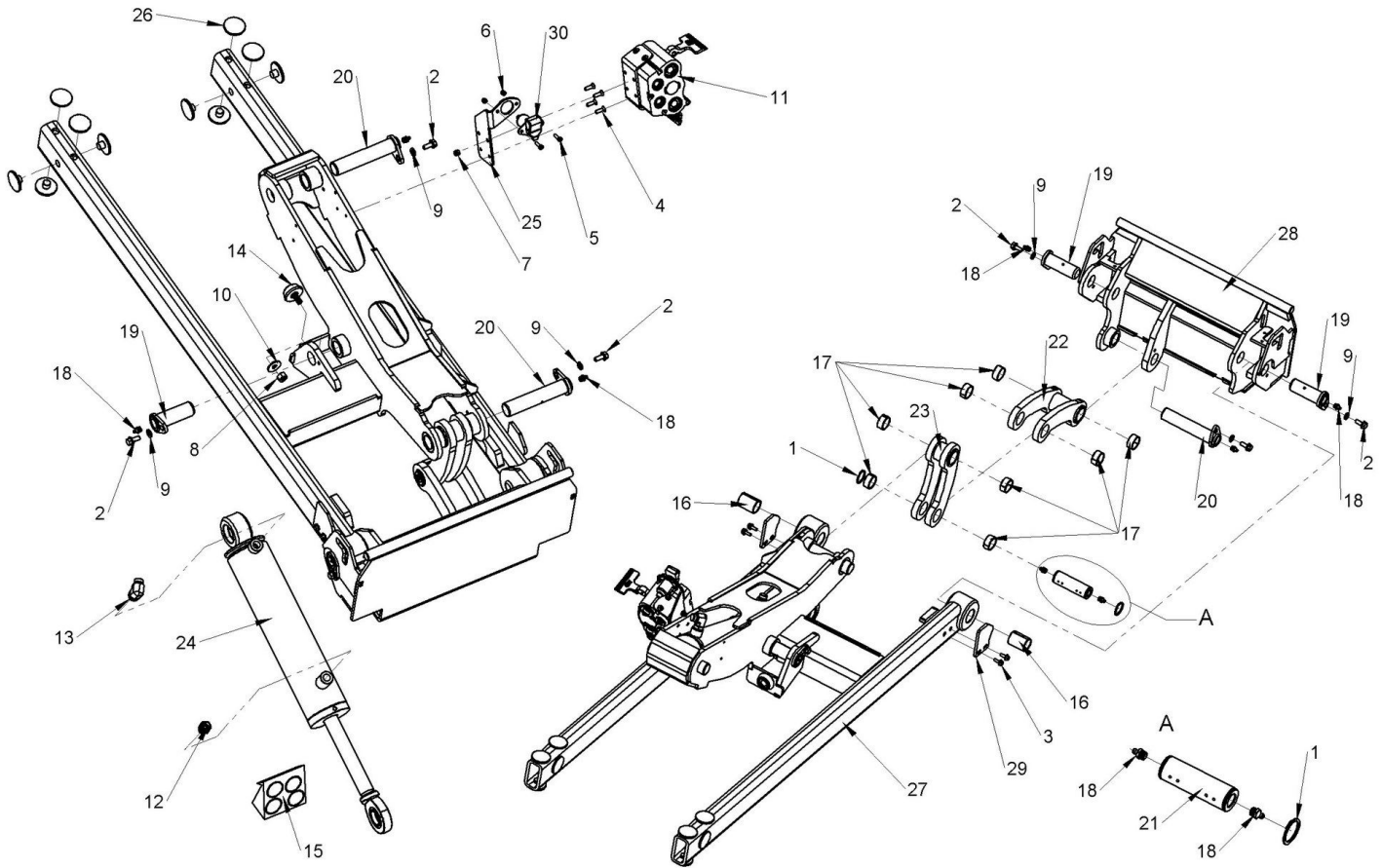
Component list [TAV. 19 M1 5.3 SERVICES HYDRAULIC CYRCUIT]

Pos.	Code	Description	Q.ty
1	C810358/12	{{>desc}}	2.00000
2	C810358/13	{{>desc}}	1.00000
3	C810358/14	{{>desc}}	1.00000
4	C810358/15	{{>desc}}	1.00000
5	C810358/16	{{>desc}}	1.00000
6	C810358/17	{{>desc}}	1.00000
7	C810358/18	{{>desc}}	1.00000
8	C810358/19	{{>desc}}	1.00000
9	C810358/20	{{>desc}}	1.00000
10	C810358/21	{{>desc}}	1.00000
11	C810358/22	{{>desc}}	1.00000
12	C810358/23	{{>desc}}	1.00000
13	C810358/24	{{>desc}}	1.00000
14	C810358/25	{{>desc}}	1.00000
15	C810358/35	{{>desc}}	2.00000
16	C810358/36	{{>desc}}	1.00000



Draft and part list report
Serial n / code M351241 / C977037
Description MULTIONE 5.3 CERT.CE+MAN.OP.

17	C810358/37	{{>desc}}	1.00000
18	C810358/38	{{>desc}}	1.00000
19	C810358/39	{{>desc}}	2.00000
20	C810358/40	{{>desc}}	1.00000
21	C810358/41	{{>desc}}	1.00000
22	C810358/42	{{>desc}}	1.00000
23	C810358/43	{{>desc}}	2.00000
24	C810358/44	{{>desc}}	3.00000



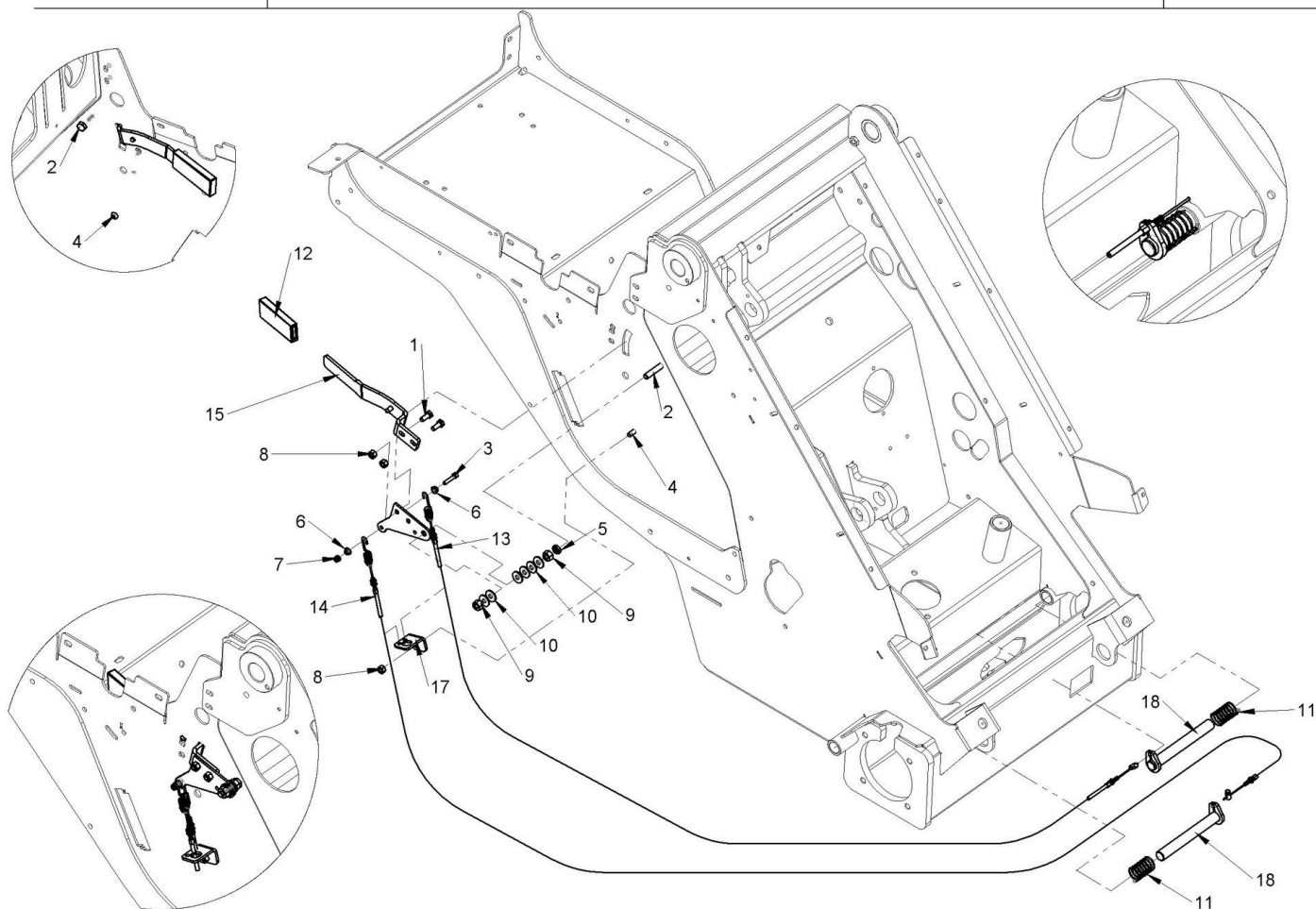
Component list [TAV. 20 M1 5.3 MOBILE BOOM PART]

Pos.	Code	Description	Q.ty
1	C018317	SEEGER RING i30 UNI 7435	2.00000
2	C019202	HEXAGON FLANGE BOLT M8X20 DIN 6921	6.00000
3	C019211	M6x16 BOLT UNI 1665	4.00000
4	C020187	SCREW TSPEI 10.9 M6X20 UNI5933 ZN	4.00000
5	C020287	RECESSED RAISED CHEESE HEAD SCREW M5x20 UNI 7687 DIN 7985	2.00000
6	C021102	PREVAILING TORQUE - TYPE HEXAGON NUT WITH POLYAMIDE RING M5 DIN 982	2.00000
7	C021104	PREVAILING TORQUE-TYPE HEXAGONAL NUTS WITH POLYAMIDE RING M6 UNI 7473	1.00000
8	C021503	SELF-LOCKING HEXAGONAL NUT M10 ZN DIN980	1.00000
9	C023041	NORD LOCK WASHER M8	6.00000
10	C023104	FLAT WASHER, M10	1.00000
11	C030480	HYDRAULIC MULTICONNECTOR, FIX 3 WAY	1.00000
12	C033001	NIPPLES 3/8" G / 12L	1.00000
13	C033021	REVOLVING CONNECTION AT 90° 3/8" ORIENT./12L	1.00000
14	C035078	RUBBER END	1.00000
15		{{>desc}}	1.00000
16	C037608	BEARING 30-34-45	2.00000



Draft and part list report
Serial n / code M351241 / C977037
Description MULTIONE 5.3 CERT.CE+MAN.OP.

17	C037610	{{>desc}}	8.00000
18	C090030	GREASER M10X1 UNI 7663A	8.00000
19	C230849	FLANGED PIN İ30x84	3.00000
20	C271577	PIN S500/600(3RD GEN) İ30 L=142 V.N.I.	3.00000
21	C271594	PIN İ30 L=95 FOR BOOM S500-S600 3RD GEN	1.00000
22	C279604	LARGE LEVER TOOLPLATE SPIN 3RD GEN	1.00000
23	C279616	TIGHT LEVER TOOLPLATE SPIN	1.00000
24	C279621	TILT PLATE CYLINDER S500/S600 3RD GENERATION	1.00000
25	C279628	HYDRAULIC MULTI COUPLING PLATE HOLDER	1.00000
26	C281633	{{>desc}}	10.00000
27	C284336	FIXED PART M1 4-5 S500/600 3RD GENERATION BOOM	1.00000
28	C284342	COUPLING PLATE FOR S500-S600 3RD GEN	1.00000
29	C284346	LAMA DI AGGANCIAMENTO PIASTRA	2.00000
30	FF180/25.036.100	3 POLE CONNECTOR (MACHINE MOUNT)	1.00000



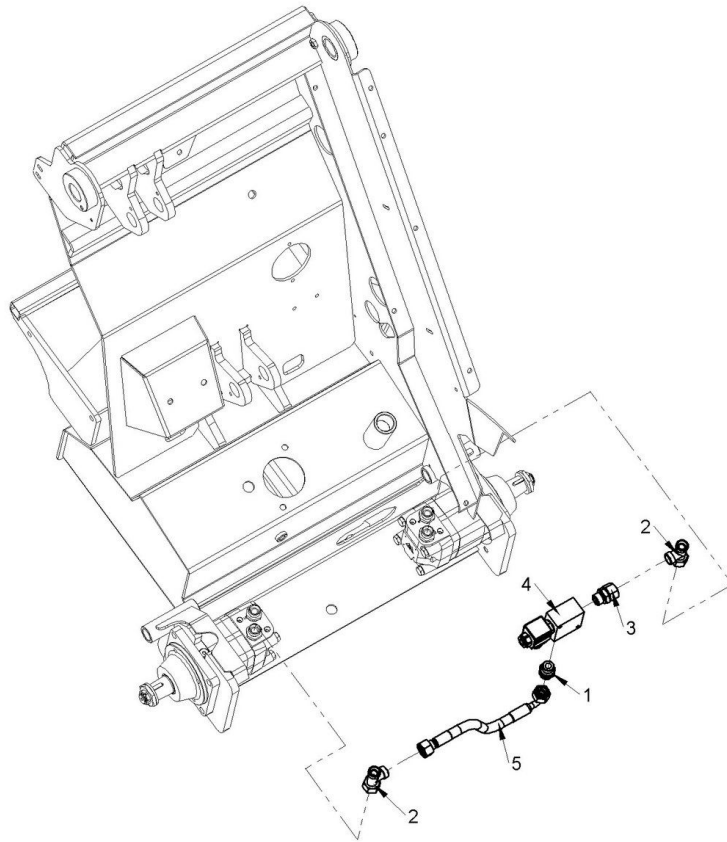
Component list [TAV. 21 M1 5.3 HAND BRAKE]

Pos.	Code	Description	Q.ty
1	C020072	HEXAGON HEAD BOLT 8.8 M8X20 UNI 5739	2.00000
2	C020105	VITE TE 8.8 M10X50 ZB UNI 5739	1.00000
3	C020213	SCREW TCCEI M6X30 DIN 912	1.00000
4	C020541	HEXAGON SOCKET OVAL HEAD SCREW M8x20 ISO 7380	1.00000
5	C021013	HEXAGON NUT M10 UNI 5589	1.00000
6	C021018	NUT E 6S M6 SERPRESS	2.00000
7	C021104	PREVAILING TORQUE-TYPE HEXAGONAL NUTS WITH POLYAMIDE RING M6 UNI 7473	1.00000
8	C021502	SLOTTED AND CASTLE HEXAGON NUTS M8 DIN980	3.00000
9	C021503	SELF-LOCKING HEXAGONAL NUT M10 ZN DIN980	2.00000
10	C023100	PLAIN WASHER LARGE SERIES M8 DIN 9021	6.00000
11	C029521	SPRING 29X60X2,2	2.00000
12	C035020	GUM HANDLE 30X5	1.00000
13	C038706	LEFT SIDE BRAKE CABLE M SERIES	1.00000
14	C038707	RIGHT SIDE BRAKE CABLE M SERIES	1.00000
15	C272054	BRAKE LEVER, INNER SIDE	1.00000
16	C272057	HAND BRAKE LEVER, OUT SIDE	1.00000



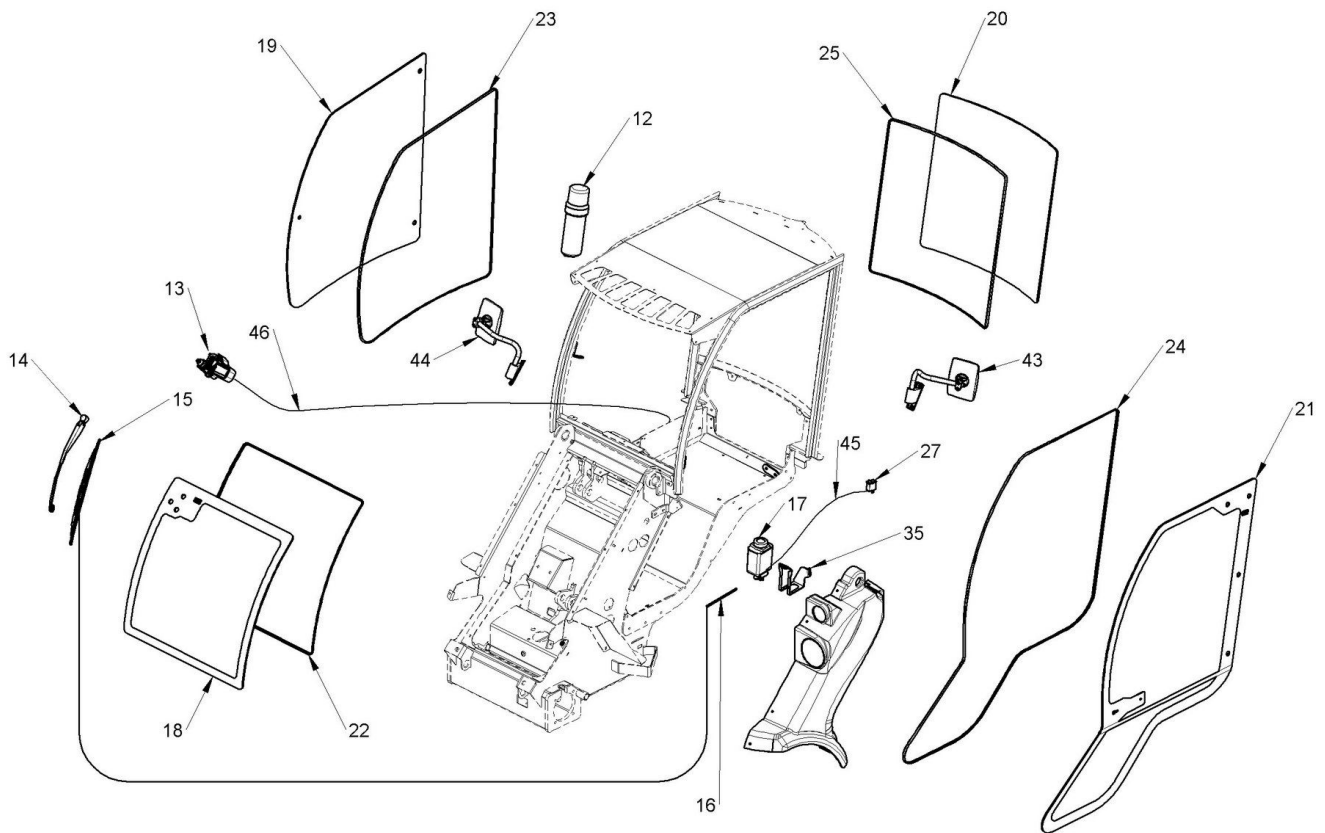
Draft and part list report
Serial n / code M351241 / C977037
Description MULTIONE 5.3 CERT.CE+MAN.OP.

17	C277287	WIRE BRAKE HOLDER	1.00000
18	C277313	BRAKE PIN S600 M1 4-5	2.00000



Component list [TAV. 22 M1 5.3 DYNAMIC BLOCK SYSTEM]

Pos.	Code	Description	Q.ty
1	C033003	NIPPLES 1/2" G / 15L	1.00000
2	C033035	T FITTING F-M-M 15L	2.00000
3	C033057	CONNECTOR M1/2" FG 15L	1.00000
4	C036622	ELECTROVALVE 1/2" COIL 12V	1.00000
5	C810344/01	{{>desc}}	1.00000



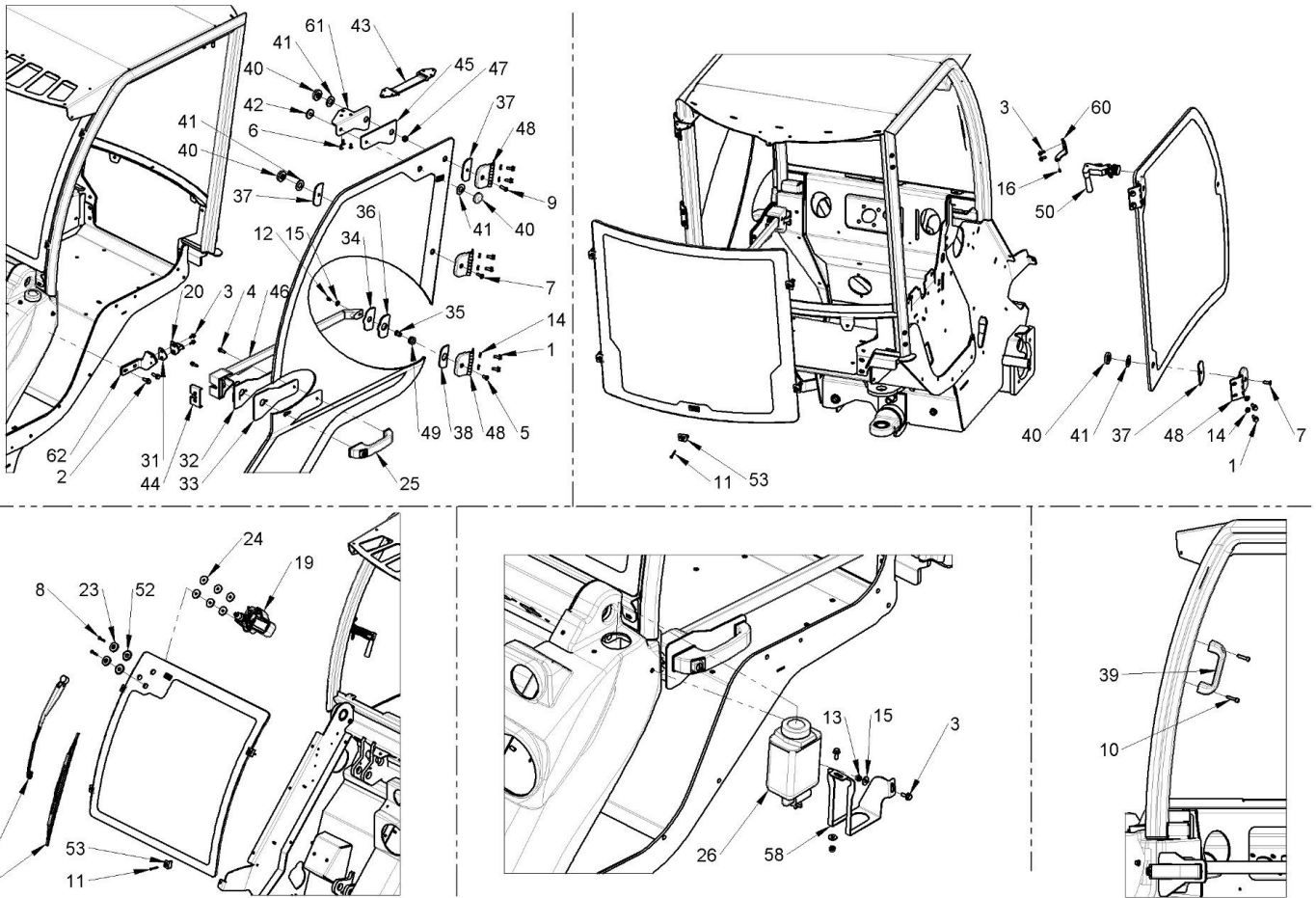
Component list [TAV. 31 GLASS CABIN]

Pos.	Code	Description	Q.ty
1	C019203	HEXAGON FLANGE BOLT M8X25 ISO 1665	2.00000
2	C020145	HEXAGON SOCKET OVAL HEAD SCREW M6x16 ISO 7380	3.00000
3	C020156	HEXAGON SOCKET COUNTERSUNK HEAD CAP SCREW M6x16 UNI 5933	2.00000
4	C020163	SCREW TSPEI 10.9 M8x35 ZN UNI5933	2.00000
5	C020212	HEXAGON SOCKET HEAD CAP SCREW M6x25 ZB UNI EN ISO 4762	2.00000
6	C020272	SCREW TSPEI 10.9 M4x40 ZN UNI 5933	10.00000
7	C020548	HEXAGON SOCKET OVAL HEAD SCREW M6x20 ZN UNI/ISO 7380	2.00000
8	C023090	FLAT WASHER M6 6.4x12x1.6 UNI 6592	1.00000
9	C023110	PLAIN WASHER LARGE SERIES M6 6.5X18X1.5 DIN9021	4.00000
10	C028270	THREAD INSERT M8	2.00000
11	C028271	THREAD INSERT M6	3.00000
12	C030810	MANUAL HOLDER	1.00000
13	C034022	WINDSCREEN WIPER ENGINE ITG 12V 90° FOR CABIN	1.00000
14	C034028	WIPER ARM FOR CABIN SL800/900	1.00000
15	C034029	WIPER BRUSH FOR CABIN 500->900	1.00000
16	C034082	GLASS WASHER PIPE TRANSPARENT 4X7	1.00000



Draft and part list report
Serial n / code M351241 / C977037
Description MULTIONE 5.3 CERT.CE+MAN.OP.

17	C034170	WIND SCREEN WASHER WATER TANK	1.00000
18	C034192	FRONT GLASS M1 4-5 SERIES	1.00000
19	C034193	RIGHT GLASS CABIN 4-5 SERIES	1.00000
20	C034194	REAR WINDOW GLASS CABIN M1 5 SERIE	1.00000
21	C034195	DOOR GLASS CABIN WITH SEAL 4-5 SERIES	1.00000
22	C035015	SNAP SEAL FOR WINDOWS	2.30000
23	C035015	SNAP SEAL FOR WINDOWS	3.33000
24	C035015	SNAP SEAL FOR WINDOWS	4.44000
25	C035015	SNAP SEAL FOR WINDOWS	3.00000
26	C035043	PLASTIC END CUP DIA 76	2.00000
27	C036161	WINDSCREEN WASHER SWITCH	1.00000
28	C041282	FRONT DASHBOARD	1.00000
29	C041407	FRONT LEFT ROAD LIGHT MUDGUARD (DIRECTION ARROW=WORK LIGHT)	1.00000
30	C277275	FRONT RIGHT MUDGUARD FOR S600	1.00000
31	C277275	FRONT RIGHT MUDGUARD FOR S600	1.00000
32	C277293	FOOT-BOARD S600	1.00000
33	C277315	S600 FRONT DASHBOARD HOLDER	1.00000
34	C277687	FIANCO DX SUPPORTO DISTRIBUTORI S500-S600 REV.05	1.00000
35	C277808	WATER TANK HOLDER	1.00000
36	C279700	FRONT FRAME S500-S600 3RD GENERATION	1.00000
37	C282246	STAFFA SUPPORTO SCONTRIO SERRATURA	1.00000
38	C282324	JERKY COMPASS BRACKET	1.00000
39	C284325	{{>desc}}	1.00000
40	C284350	{{>desc}}	1.00000
41	C284365	SEAT SUPPORT	1.00000
42	C284368	ADDICTET BRACKET FOR SAFETY BELT	1.00000
43	C028021	LEFT REAR VIEW MIRROR FOR S600/SL800/GT900 CABIN	1.00000
44	C028022	RIGHT REAR VIEW MIRROR FOR S600/SL800/GT900 CABIN	1.00000
45	C038031	WATER PUMP WIRING FOR WIPER M1	1.00000
46	C038093	WIPER WIRING	1.00000



Component list [TAV. 32 CABIN DETAILS]

Pos.	Code	Description	Q.ty
1	C019202	HEXAGON FLANGE BOLT M8X20 DIN 6921	10.00000
2	C019203	HEXAGON FLANGE BOLT M8X25 ISO 1665	2.00000
3	C019211	M6x16 BOLT UNI 1665	6.00000
4	C019213	M6x25 BOLT UNI 1665	2.00000
5	C020155	M8X20 SCREW UNI5933	1.00000
6	C020156	HEXAGON SOCKET COUNTERSUNK HEAD CAP SCREW M6x16 UNI 5933	5.00000
7	C020159	SCREW TSPEI 10.9 M8x25 ZB UNI5933	3.00000
8	C020168	SCREW TSPEI 10.9 M6x40 ZN UNI5933	2.00000
9	C020169	HEXAGON SOCKET COUNTERSUNK HEAD CAP SCREW 10.9 M8x30 ZN UNI5933	1.00000
10	C020212	HEXAGON SOCKET HEAD CAP SCREW M6X25 ZB UNI EN ISO 4762	2.00000
11	C020272	SCREW TSPEI 10.9 M4x40 ZN UNI 5933	10.00000
12	C020542	HEXAGON SOCKET OVAL HEAD SCREW M6x12 ZN ISO 7380	1.00000
13	C021104	PREVAILING TORQUE-TYPE HEXAGONAL NUTS WITH POLYAMIDE RING M6 UNI 7473	2.00000
14	C023041	NORD LOCK WASHER M8	10.00000
15	C023110	PLAIN WASHER LARGE SERIES M6 6.5X18X1.5 DIN9021	5.00000
16	C028266	SPRING PIN 5X16	1.00000



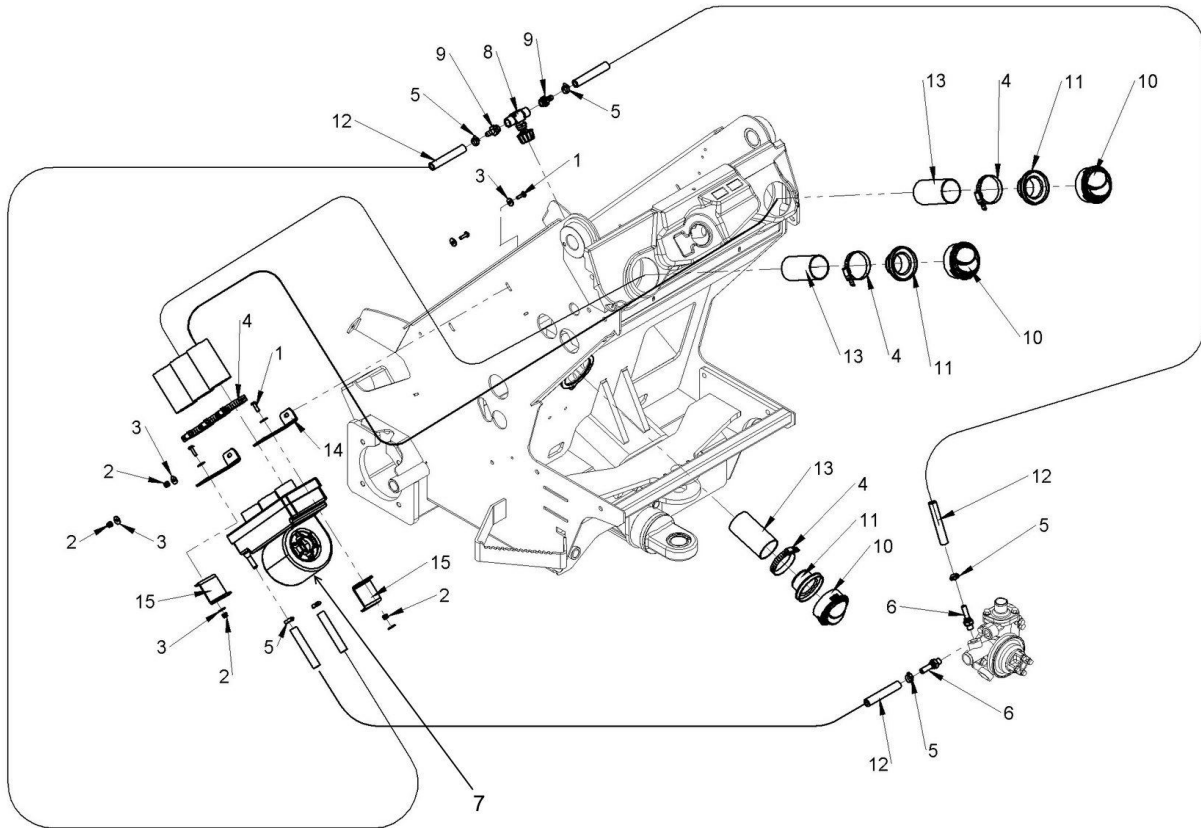
Draft and part list report
Serial n / code M351241 / C977037
Description MULTIONE 5.3 CERT.CE+MAN.OP.

17	C028270	THREAD INSERT M8	12.00000
18	C028271	THREAD INSERT M6	5.00000
19	C034022	WINDSCREEN WIPER ENGINE ITG 12V 90° FOR CABIN	1.00000
20	C034023	CABIN DOOR HOLD LATCH	1.00000
21	C034028	WIPER ARM FOR CABIN SL800/900	1.00000
22	C034029	WIPER BRUSH FOR CABIN 500->900	1.00000
23	C034070	PLASTIC STUD FOR GLASS CABIN	2.00000
24	C034072	RUBBER WASHER FOR GLASS CABIN	6.00000
25	C034078	DOOR OUTER LOCK FOR	1.00000
26	C034170	WIND SCREEN WASHER WATER TANK	1.00000
27	C034192	FRONT GLASS M1 4-5 SERIES	1.00000
28	C034193	RIGHT GLASS CABIN 4-5 SERIES	1.00000
29	C034194	REAR WINDOW GLASS CABIN M1 5 SERIE	1.00000
30	C034195	DOOR GLASS CABIN WITH SEAL 4-5 SERIES	1.00000
31	C034501	UNDER HOLD LATCH PLASTIC	1.00000
32	C034503	LOCK HOLDER PLATE	1.00000
33	C034504	INNER DOOR HANDLE SEAL	1.00000
34	C034505	SHAPE BAR LOCK HOLDER PLATE	1.00000
35	C034506	KNURLED BUSH	1.00000
36	C034507	REAR BAR RUBBER	1.00000
37	C034508	SMALL HOLE HINGE RUBBER	4.00000
38	C034509	BIG HOLE HINGE RUBBER	1.00000
39	C034510	GRAB HANDLE	1.00000
40	C034516	INNER STUD CABIN	5.00000
41	C034517	Ø40-Ø20-1,5 SEAL	5.00000
42	C034522	STUD WITH M8X13 PIN	1.00000
43	C034523	{{>desc}}	1.00000
44	C034524	{{>desc}}	1.00000
45	C034525	INNER BELT SEAL	1.00000
46	C034528	LOCK BAR SHAPE	1.00000
47	C034529	{{>desc}}	1.00000
48	C034530	HINGE	5.00000
49	C035038	RUBBER TOP FOR CABIN GLASSES	1.00000
50	C035041	JERKY COMPASS OPENING FOR CABIN	1.00000
51	C041407	FRONT LEFT ROAD LIGHT MUDGUARD (DIRECTION ARROW=WORK LIGHT)	1.00000
52	C274255	GLASS SEAL FOR CABIN	2.00000
53	C274258	GLASS HOLDER FOR CABIN	10.00000
54	C277275	FRONT RIGHT MUDGUARD FOR S600	1.00000
55	C277293	FOOT-BOARD S600	1.00000
56	C277315	S600 FRONT DASHBOARD HOLDER	1.00000
57	C277687	FIANCO DX SUPPORTO DISTRIBUTORI S500-S600 REV.05	1.00000
58	C277808	WATER TANK HOLDER	1.00000
59	C279700	FRONT FRAME S500-S600 3RD GENERATION	1.00000
60	C282324	JERKY COMPASS BRACKET	1.00000
61	C284324	{{>desc}}	1.00000
62	C284325	{{>desc}}	1.00000



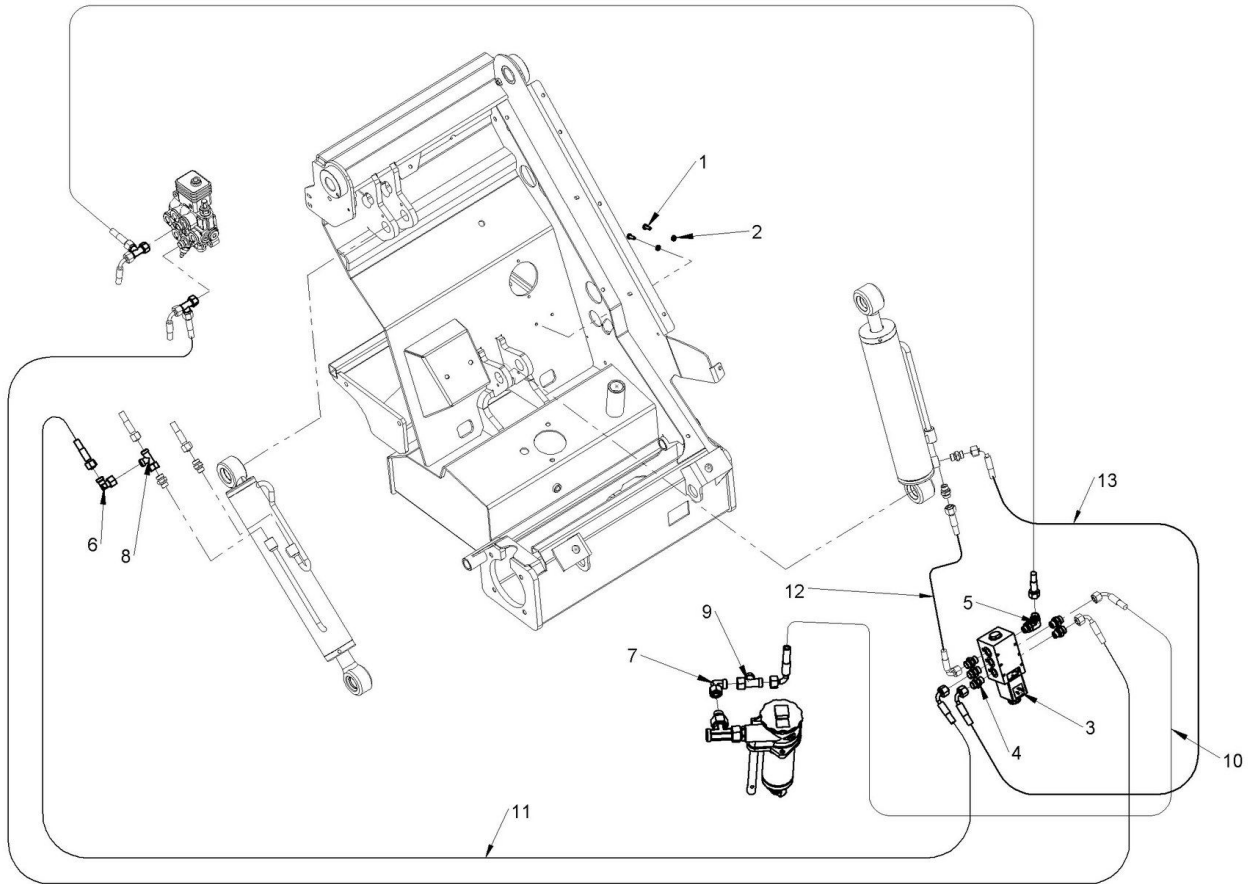
Draft and part list report
Serial n / code M351241 / C977037
Description MULTIONE 5.3 CERT.CE+MAN.OP.

63	C284350	{{>desc}}	1.00000
64	C284365	SEAT SUPPORT	1.00000



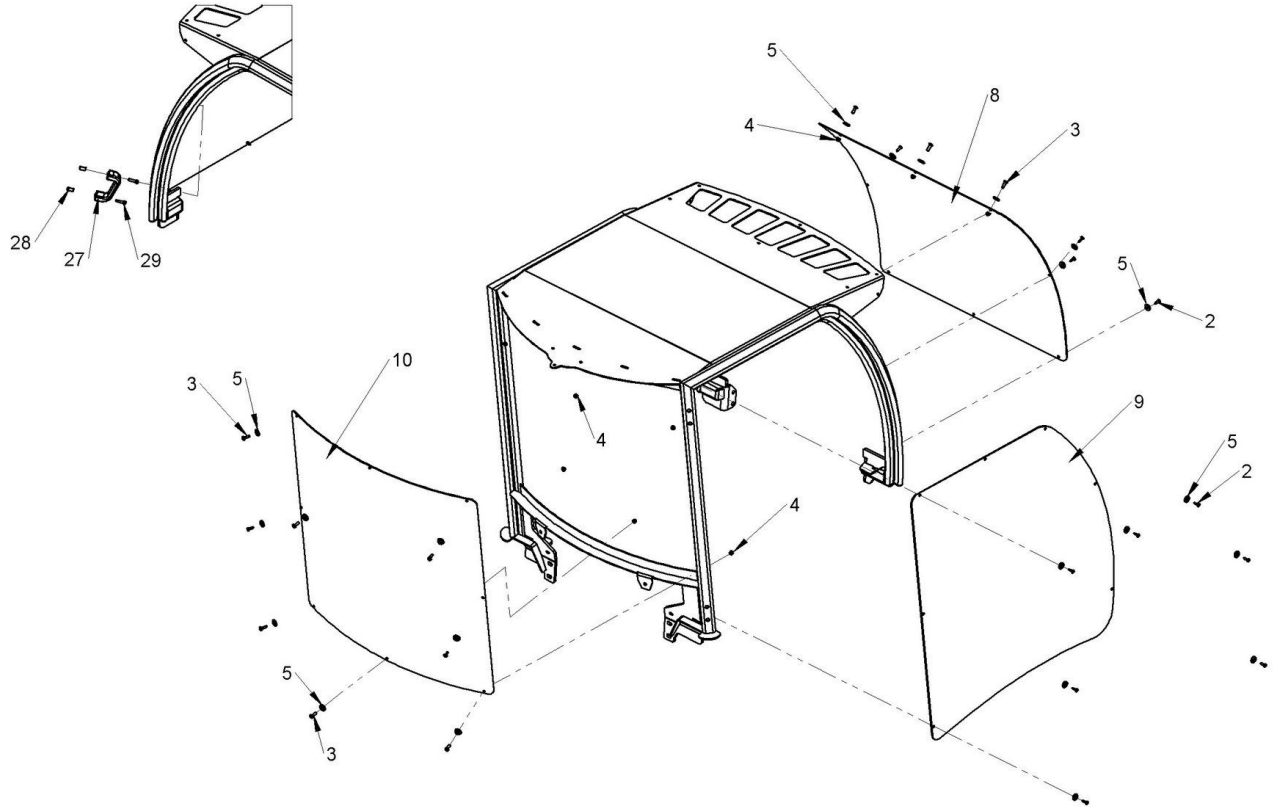
Component list [TAV. 33 M1 5.3 HEATING]

Pos.	Code	Description	Q.ty
1	C020548	HEXAGON SOCKET OVAL HEAD SCREW M6x20 ZN UNI/ISO 7380	4.00000
2	C021104	PREVAILING TORQUE-TYPE HEXAGONAL NUTS WITH POLYAMIDE RING M6 UNI 7473	4.00000
3	C023110	PLAIN WASHER LARGE SERIES M6 6.5X18X1.5 DIN9021	8.00000
4	C029031	CLAMP MEB 12 INOX 40-60	6.00000
5	C029038	STEEL BAND 10-16	6.00000
6	C033304	HOSE FITTING 1/4" - ĩ10mm	2.00000
7	C034004	HEATING UNIT FOR MULTIONE	1.00000
8	C034005	METAL FAUCET FOR CAB HEATING	1.00000
9	C034006	STRAIGHT FITTING DIA. 10 MM - 3/8"	2.00000
10	C034008	ĩ 76 mm AIR PORT	3.00000
11	C034009	AIR PORT REDUCTION 82->76/45 mm	3.00000
12	C035034	HOT WATER RUBBER HOSE 10X17	3.00000
13	C035036	50MM AIR HOSE FOR HEATER	3.00000
14	C272051	HEATER HOLDER	2.00000
15	C272052	"Z" SHAPED HOLDER FOR HEATING UNIT	2.00000



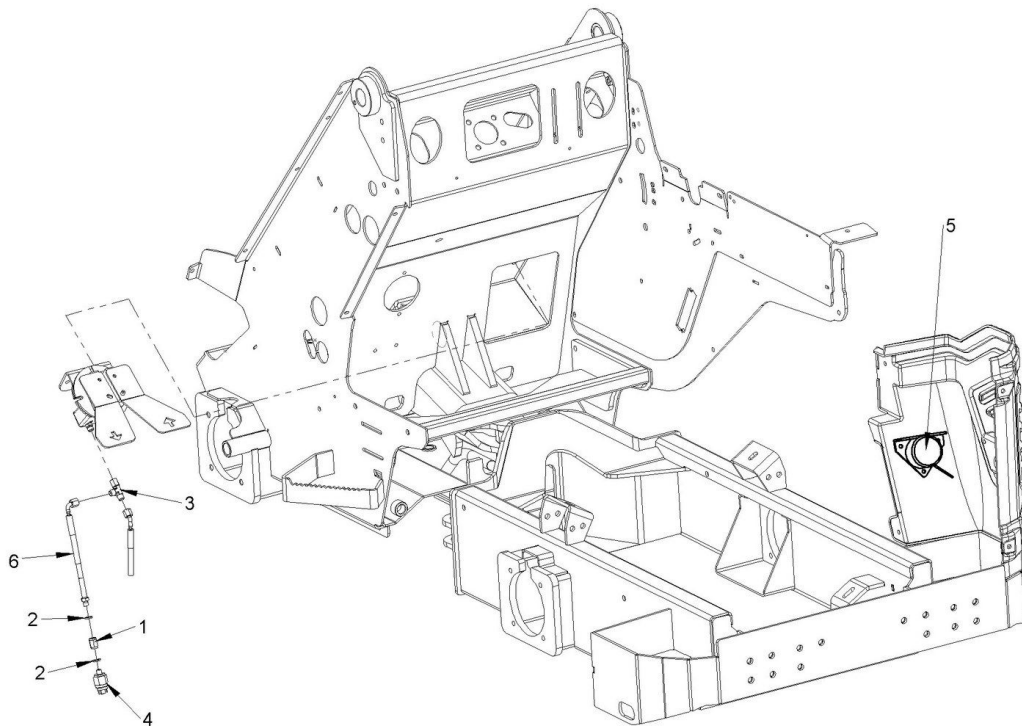
Component list [TAV. 35 M1 5.3 FLOATING BOOM]

Pos.	Code	Description	Q.ty
1	C020548	HEXAGON SOCKET OVAL HEAD SCREW M6x20 ZN UNI/ISO 7380	2.00000
2	C023090	FLAT WASHER M6 6.4x12x1.6 UNI 6592	2.00000
3	C030580	BOOM FLOAT VALVE FOR SELF LEVELING	1.00000
4	C033001	NIPPLES 3/8" G / 12L	5.00000
5	C033021	REVOLVING CONNECTION AT 90° 3/8" ORIENT./12L	1.00000
6	C033024	ELBOW FITTING F12L ORIENT. /M12L	1.00000
7	C033025	90° FITTING F15L ORIENT. / M15L	1.00000
8	C033032	T-CONNECTION F-M-M 12L	1.00000
9	C033035	T FITTING F-M-M 15L	1.00000
10	C810346/01	{{>desc}}	1.00000
11	C810346/02	{{>desc}}	1.00000
12	C810346/03	{{>desc}}	1.00000
13	C810346/04	{{>desc}}	1.00000



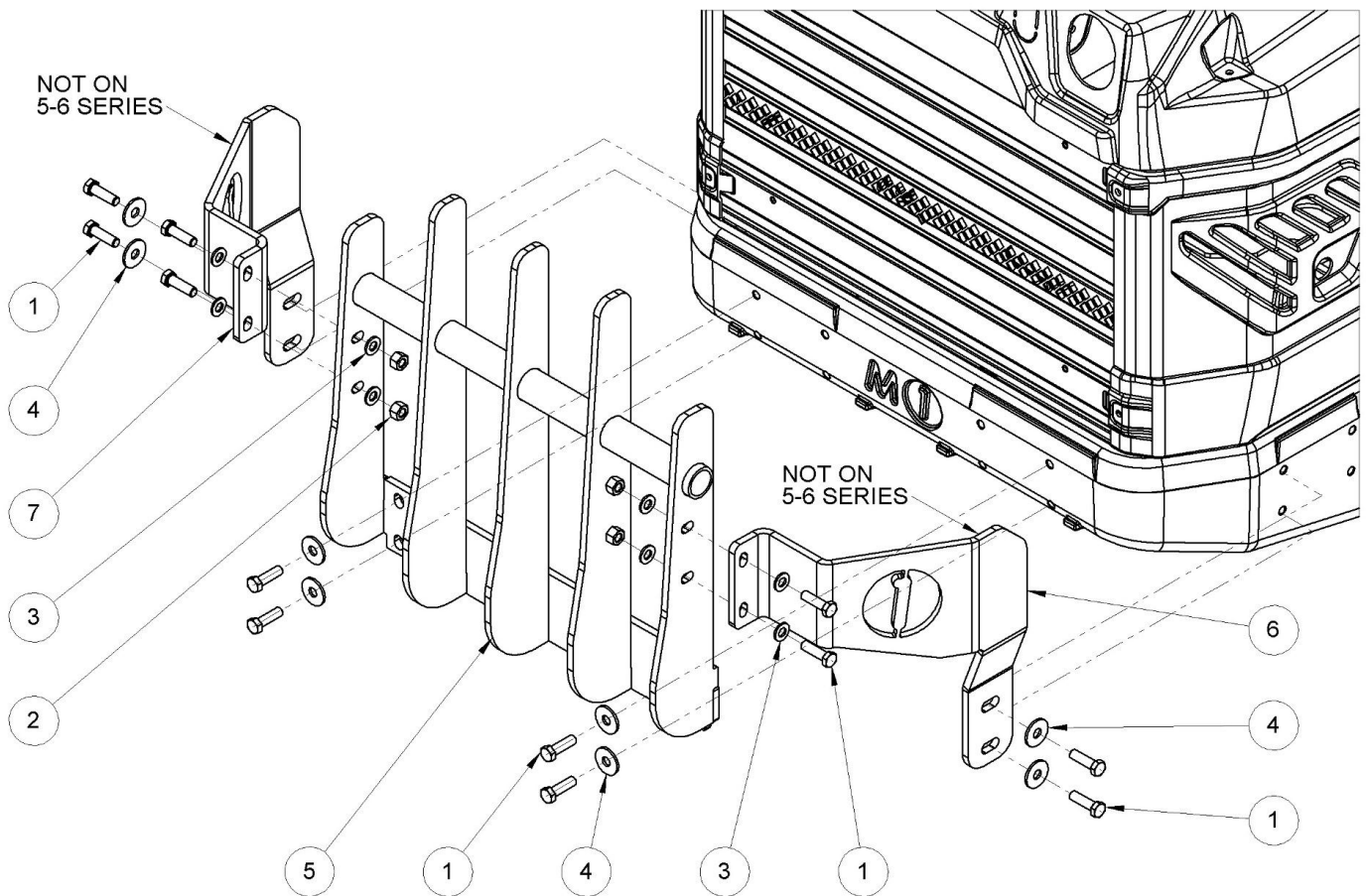
Component list [TAV. 39 M1 5.3 PEGLI GLAS SMART CABIN]

Pos.	Code	Description	Q.ty
1	C020212	HEXAGON SOCKET HEAD CAP SCREW M6X25 ZB UNI EN ISO 4762	2.00000
2	C020300	VITE AUTOFILETTANTE TC 4.8X19 DIN 7981 UNI 6954	14.00000
3	C020548	HEXAGON SOCKET OVAL HEAD SCREW M6x20 ZN UNI/ISO 7380	9.00000
4	C021082	{{>desc}}	9.00000
5	C023300 M6	{{>desc}}	23.00000
6	C028271	THREAD INSERT M6	2.00000
7	C034510	GRAB HANDLE	1.00000
8	C041544	PLEXIGLASS WINDSCREEN	1.00000
9	C041545	RIGHT SIDE PLEXIGLASS	1.00000
10	C041546	PLEXIGLASS REAR WINDOW	1.00000
11	C284350	{{>desc}}	1.00000



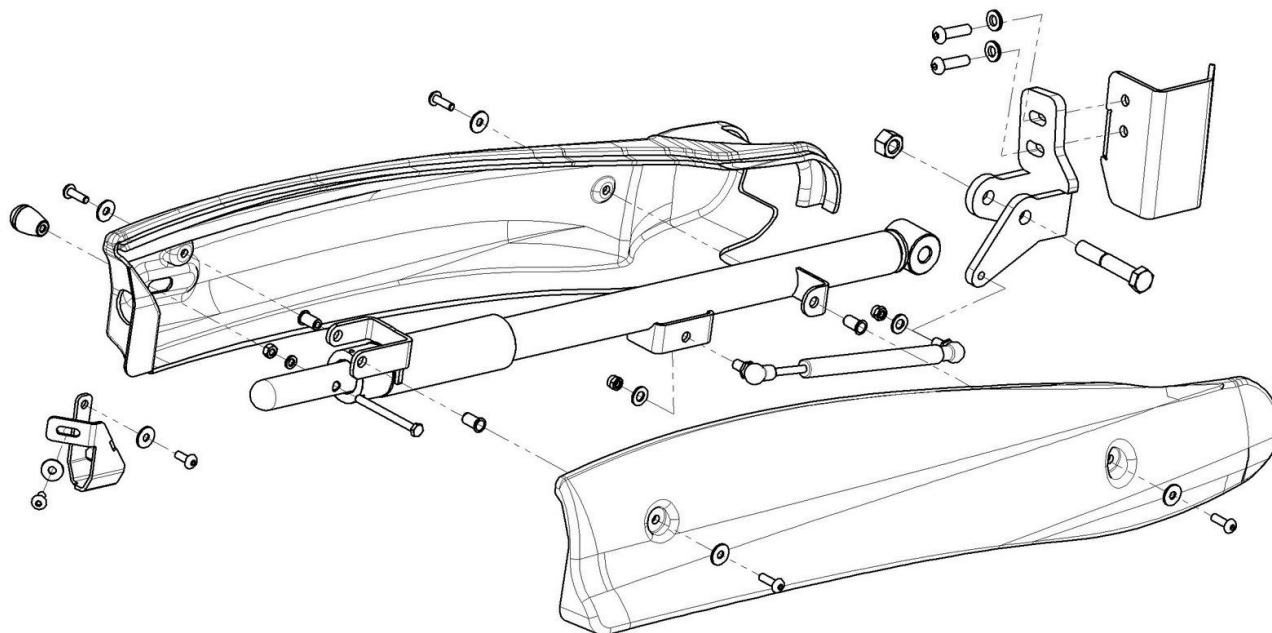
Component list [TAV. 40 M1 5.3 REVERSE ALLARM]

Pos.	Code	Description	Q.ty
1	C030361	CONNECTOR F1/8 GAS F1/8 GAS	1.00000
2	C030549	BONDED WASHER 1/8""GAS	2.00000
3	C033033	T CONNECTION F-M-M 6L	1.00000
4	C036653	PRESSURE SWITCH 1/8GAS	1.00000
5	FF180/31.0031.0000	BACKUP BUZZER	1.00000
6	C810402/01	{{>desc}}	1.00000



Component list [TAV. 49 M1 5-8, M1 6SD-8SD REAR BUMPER]

Pos.	Code	Description	Q.ty
1	C020139	HEXAGON HEAD SCREW M12x40 UNI 4017	12.00000
2	C021504	SELF BRAKING NUT M12 DIN 980	4.00000
3	C023102	PLAIN WASHER M12 UNI 6592	8.00000
4	C023105	WASHER FOR M12 13x37x3 DIN9021 UNI6593	8.00000
5	C282835	REAR BULLBAR M1 7-8	1.00000
6	C284467	RIGHT REAR BULLBAR BRACKET	1.00000
7	C284468	LEFT REAR BULLBAR BRACKET	1.00000



Component list [TAV. 50 SAFETY SIDE ARM]

Pos.	Code	Description	Q.ty
1	C020059	{{>desc}}	1.00000
2	C020145	HEXAGON SOCKET OVAL HEAD SCREW M6x16 ISO 7380	2.00000
3	C020352	M12x70 UNI ISO 4017 SCREW	1.00000
4	C020544	SCREW TBEI M8x30 ZN UNI/ISO 7380	2.00000
5	C020548	HEXAGON SOCKET OVAL HEAD SCREW M6x20 ZN UNI/ISO 7380	4.00000
6	C021022	HEXAGON NUT M6 UNI 5588	1.00000
7	C021104	PREVAILING TORQUE-TYPE HEXAGONAL NUTS WITH POLYAMIDE RING M6 UNI 7473	2.00000
8	C021504	SELF BRAKING NUT M12 DIN 980	1.00000
9	C023040	M6 NORD LOCK WASHER	1.00000
10	C023041	NORD LOCK WASHER M8	2.00000
11	C023071	PLAIN WASHER M8 8.4x16x1.6 UNI6592	2.00000
12	C023110	PLAIN WASHER LARGE SERIES M6 6.5X18X1.5 DIN9021	6.00000
13	C028025	CONICAL BALL KNOBS WITH M6 NUT	1.00000
14	C028271	THREAD INSERT M6	3.00000
15	C029509	AIR COMPRESSED SPRING 150N 120 mm	1.00000
16	C041174	EXTERNAL HOOD FOR SAFETY PROTECTION FOR SL800 BLUE	1.00000



Draft and part list report
Serial n / code M351241 / C977037
Description MULTIONE 5.3 CERT.CE+MAN.OP.

17	C041175	INTERNAL HOOD FOR SAFETY PROTECTION FOR SL800 GRAY	1.00000
18	C090032	GREASER M6x1 UNI 7663A	1.00000
19	C274270	S500-S600 PROTECTION BAR SUPPORT	1.00000
20	C274281	SECURITY ARM HINGE	1.00000
21	C279408	SECURITY ARM CENTRAL BODY	1.00000
22	C279409	LATCH SECURITY ARM	1.00000

PER STRUMENTO ANALOGICO
 FOR ANALOG DECK



1

PER STRUMENTO LCD
 FOR LCD DECK



2

ALLARME SONORO
 BUZZER ALLARM



3

Component list [TAV. 57 WATER TEMP SENSOR]

Pos.	Code	Description	Q.ty
1	FF180/U2M02A003	WATER TEMPERATURE SENSOR, ANALOG DECK	1.00000
2	FF180/U2M02A011	WATER TEMPERATURE SENSOR, LCD DECK	1.00000
3	FF163/121250-44901	WATER TEMPERATURE SENSOR - BUZZER ALARM	1.00000

CI SONO TRE TIPI DI JOYSTICK, 1 CON CONNETTORE TONDO, 2 CON CONNETTORE RETTANGOLARE "DEUTSCH".
 VERIFICATE QUAL'È PRESENTE SULLA VOSTRA MACCHINA, E RIFERITEVI A QUESTA TAVOLA PER ORDINARE IL PEZZO DI RICAMBIO CORRETTO

THERE ARE 3 TYPES OF JOYSTICK, 1 WITH A ROUND CONNECTOR AND 2 WITH A "DEUTSCH" RECTANGULAR CONNECTOR.
 VERIFY WHICH ONE IS INSTALLED ON YOUR MACHINE, AND REFER TO THIS DRAWING TO ORDER THE CORRECT SPARE PART.

CONNETTORE TONDO
 MONTATO SU TUTTE LE MACCHINE

ROUND SHAPE CONNECTOR
 INSTALLED ON ALL MACHINE

C030642



CONNETTORE "DEUTSCH"
 MONTATO SU 7.3, 8.4, 9.5, 10.8, 8.5, 9.6, 10.9

"DEUTSCH" CONNECTOR
 INSTALLED ON 7.3, 8.4, 9.5, 10.8, 8.5, 9.6, 10.9

C030647



CONNETTORE "DEUTSCH"
 MONTATO SU 5.3, 6.3, SD6, SD7, SD8, SD9

"DEUTSCH" CONNECTOR
 INSTALLED ON 5.3, 6.3, SD6, SD7, SD8, SD9

C030648



Component list [TAV. 59 JOYSTICK MULTI]

Pos.	Code	Description	Q.ty
1	C030642	MULTIONE JOYSTICK HANDLE, MULTIFUNCTION	1.00000
2	C030647	MULTIONE JOYSTICK HANDLE, MULTIFUNCTION	1.00000
3	C030648	MULTIONE JOYSTICK HANDLE, MULTIFUNCTION	1.00000

TASTI ED INTERRUTTORI / BUTTON AND SWITCHES

TAV. 60



Component list [TAV. 60 SWITCHES]

Pos.	Code	Description	Q.ty
1	C036153	HORN SWITCH	1.00000
2	C036154	WORK LIGHT SWITCH	1.00000
3	C036155	FRONT ELECTRIC PLUG SWITCH	1.00000
4	C036156	HAND BRAKE SWITCH	1.00000
5	C036157	DIFFERENTIAL LOCK SWITCH	1.00000
6	C036158	SLOW/FAST GEAR SWITCH	1.00000
7	C036159	ADDITIONAL WORK LIGHT SWITCH	1.00000
8	C036160	SWITCH FAN	1.00000
9	C036161	WINDSCREEN WASHER SWITCH	1.00000
10	C036162	FLASHING BEACON SWITCH	1.00000
11	C036163	HEATED SEAT SWITCH	1.00000
12	C036164	FLOATING BOOM SWITCH	1.00000
13	C036165	REAR OUTLET SWITCH	1.00000
14	C036166	ROAD LIGHT SWITCH	1.00000
15	C036167	AUTOMATIC LOCKING COUPLING PLATE SWITCH	1.00000



Draft and part list report
Serial n / code M351241 / C977037
Description MULTIONE 5.3 CERT.CE+MAN.OP.

16	C036168	HAZARD LIGHTS SWITCH	1.00000
17	C036169	BLINKER LIGHT SWITCH	1.00000
18	FF180/17.153.000	HORN BUTTON	1.00000
19	FF180/106616	HAZARD LIGHT BUTTON	1.00000
20	C036170	BEACON LIGHT BUTTON	1.00000
21	FF180/30.34.08956	LEVER SWITCH ON-OFF WITH RUBBER	1.00000
22	FF180/30.34.10306	LEVER SWITCH ON-OFF-ON WITH RUBBER	1.00000
23	C036171	TORQUE DIVIDER SWITCH	1.00000
24	C036172	ROADLIGHT AND TURN SIGNAL INDICATOR	1.00000



Draft and part list report
Serial n / code M351241 / C977037
Description MULTIONE 5.3 CERT.CE+MAN.OP.

DECALCOMANIE / DECALS

Tav. 95

CODE	DESCRIZIONE	DESCRIPTION	NOTE
C042200	DECALCOMANIA GENERALE MACCHINE	GENERAL DECALS FOR MULTIONE	USED ON ALL MACHINES
C042202	DECALCOMANIA GENERALE PITTOGRAMMI MACCHINE	GENERAL SAFETY DECALS FOR MULTIONE	USED ON ALL MACHINES
C042111	DECAL LWA 98 DB	DECAL LWA 98 DB	USED ON: 4.2, 5.2, 6.3 SERIES, 7.2 7.3 SERIES, 6.3SD, 7.3SD, 8.4SD
C042110	DECAL LWA 99 DB	DECAL LWA 99 DB	USED ON: 5.3, 8.4 SERIES
C042109	DECAL LWA 100 DB	DECAL LWA 100 DB	USED ON: 1.1, 2.3, 9.5, 9.6, 10.9, 9.5SD
C042112	DECAL LWA 101 DB	DECAL LWA 101 DB	USED ON: 10.8
C042114	DECAL LPA 82 DB	DECAL LPA 82 DB	USED ON: 7.3 SERIES, 7.3SD
C042116	DECAL LPA 84 DB	DECAL LPA 84 DB	USED ON: 7.2, 6.3 SERIES, 6.3SD
C042117	DECAL LPA 85 DB	DECAL LPA 85 DB	USED ON: 1.1, 2.3, 4.2, 5.2, 8.4 SERIES, 10.8, 10.9, 8.4SD
C042102	DECAL LPA 86 DB	DECAL LPA 86 DB	USED ON: 9.5, 9.6, 9.5SD
C042100	DECAL LPA 87 DB	DECAL LPA 87 DB	USED ON: 5.3
C042437	DIAGRAMMA DI CARICO SERIE 2	M1 2 SERIES LOAD DIAGRAM	
C042443	DIAGRAMMA DI CARICO SERIE 4 - 5	M1 4 - 5 SERIES LOAD DIAGRAM	
C042429	DIAGRAMMA DI CARICO SERIE 6	M1 6 SERIES LOAD DIAGRAM	
C042430	DIAGRAMMA DI CARICO SERIE 7 - 8	M1 7 - 8 SERIES LOAD DIAGRAM	
C042431	DIAGRAMMA DI CARICO SERIE 9	M1 9 SERIES LOAD DIAGRAM	
C042432	DIAGRAMMA DI CARICO SERIE 10	M1 10 SERIES LOAD DIAGRAM	
C042440	DIAGRAMMA DI CARICO 6SD	M1 6SD LOAD DIAGRAM	
C042439	DIAGRAMMA DI CARICO 7SD - 8SD	M1 7SD - 8SD LOAD DIAGRAM	
C042438	DIAGRAMMA DI CARICO 9SD	M1 9SD LOAD DIAGRAM	
C042175	DECALCOMANIE M1 1.1	M1 1.1 DECAL	
C042436	DECALCOMANIE M1 2.3	M1 2.3 DECAL	
C042190	DECALCOMANIE M1 4.2	M1 4.2 DECAL	
C042189	DECALCOMANIE M1 5.2	M1 5.2 DECAL	
C042188	DECALCOMANIE M1 5.3	M1 5.3 DECAL	
C042412	DECALCOMANIE M1 6.3	M1 6.3 DECAL	
C042434	DECALCOMANIE M1 6.3+	M1 6.3+ DECAL	
C042413	DECALCOMANIE M1 6.3S	M1 6.3S DECAL	
C042433	DECALCOMANIE M1 7.2	M1 7.2 DECAL	
C042414	DECALCOMANIE M1 7.3	M1 7.3 DECAL	
C042415	DECALCOMANIE M1 7.3+	M1 7.3+ DECAL	
C042416	DECALCOMANIE M1 7.3S	M1 7.3S DECAL	
C042417	DECALCOMANIE M1 8.4	M1 8.4 DECAL	
C042427	DECALCOMANIE M1 8.4+	M1 8.4+ DECAL	
C042418	DECALCOMANIE M1 8.4S	M1 8.4S DECAL	
C042420	DECALCOMANIE M1 8.5	M1 8.5 DECAL	
C042442	DECALCOMANIE M1 8.5S	M1 8.5S DECAL	
C042421	DECALCOMANIE M1 9.5	M1 9.5 DECAL	
C042424	DECALCOMANIE M1 9.6	M1 9.6 DECAL	
C042425	DECALCOMANIE M1 10.8	M1 10.8 DECAL	
C042426	DECALCOMANIE M1 10.9	M1 10.9 DECAL	
C042422	DECALCOMANIE M1 SD 6.3	M1 SD 6.3 DECAL	
C042419	DECALCOMANIE M1 SD 7.3	M1 SD 7.3 DECAL	
C042423	DECALCOMANIE M1 SD 8.4	M1 SD 8.4 DECAL	
C042428	DECALCOMANIE M1 SD 9.5	M1 SD 9.5 DECAL	

Component list [TAV. 95 DECALS]

Pos.	Code	Description	Q.ty
1	C042200	GENERAL SAFETY DECALS FOR MULTIONE	1.00000
2	C042202	S/SL/GT SAFETY DECALS FOR MULTIONE	1.00000
3	C042111	DECALCOMANIA DECIBEL LWA 98 DB	1.00000
4	C042110	DECALCOMANIA DECIBEL LWA 99 DB	1.00000
5	C042109	DECALCOMANIA DECIBEL LWA 100 DB	1.00000
6	C042112	LWA 101 DB LABEL	1.00000
7	C042114	DECALCOMANIA DECIBEL LPA 82 DB	1.00000
8	C042116	LPA 84 DB LABEL	1.00000
9	C042117	LPA 85 DB LABEL	1.00000
10	C042102	DECALCOMANIA DECIBEL LPA 86 DB	1.00000
11	C042100	DECALCOMANIA DECIBEL LPA 87 DB	1.00000
12	C042437	M1 2 SERIES LOAD DIAGRAM DECAL	1.00000
13	C042443	M1 4-5 SERIES LOAD DIAGRAM DECAL	1.00000
14	C042429	{{>desc}}	1.00000
15	C042430	{{>desc}}	1.00000
16	C042431	{{>desc}}	1.00000



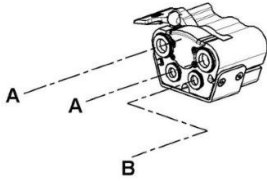
Draft and part list report
Serial n / code M351241 / C977037
Description MULTIONE 5.3 CERT.CE+MAN.OP.

17	C042432	{{>desc}}	1.00000
18	C042440	M1 6SD SERIES LOAD DIAGRAM DECAL	1.00000
19	C042439	M1 7SD-8SD SERIES LOAD DIAGRAM DECAL	1.00000
20	C042438	SD 9 LOAD DIAGRAM DECAL	1.00000
21	C042175	M1 1.1 DECAL	1.00000
22	C042436	{{>desc}}	1.00000
23	C042190	{{>desc}}	1.00000
24	C042189	{{>desc}}	1.00000
25	C042188	{{>desc}}	1.00000
26	C042412	KIT DECALS FOR M1 6.3	1.00000
27	C042434	KIT DECALS FOR M1 6.3S	1.00000
28	C042413	KIT DECALS FOR M1 6.3S	1.00000
29	C042433	KIT DECALS FOR M1 7.3	1.00000
30	C042414	KIT DECALS FOR M1 7.3	1.00000
31	C042415	KIT DECALS FOR M1 7.3+	1.00000
32	C042416	KIT DECALS FOR M1 7.3S	1.00000
33	C042417	KIT DECALS FOR M1 8.4	1.00000
34	C042427	KIT DECALS FOR M1 8.4	1.00000
35	C042418	KIT DECALS FOR M1 8.4S	1.00000
36	C042420	{{>desc}}	1.00000
37	C042442	8.5S KIT DECALS	1.00000
38	C042421	DECALS KIT FOR M1 9.5	1.00000
39	C042424	{{>desc}}	1.00000
40	C042425	{{>desc}}	1.00000
41	C042426	{{>desc}}	1.00000
42	C042422	{{>desc}}	1.00000
43	C042419	{{>desc}}	1.00000
44	C042423	{{>desc}}	1.00000
45	C042428	SD 9.5 DECALS	1.00000

INSERTI WEO / WEO FITTINGS

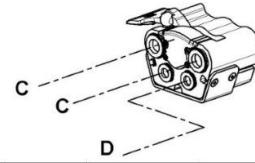
Tav. 96

**MACHINE MULTICONNECTOR
 MULTIONE 9-10 SERIES**



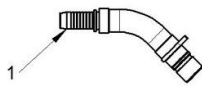
HOSE TYPE	WORK PRES BAR	HOSE DIAMETER	LENGHT RUBBER HOSE	1st FITTING DIN 2353	2nd FITTING WEO
"A" PORTS HOSES					
2SC	250	5/8"	1030	MALE STRAIGHT 18L (M30x2)	POS. 1
"B" PORT HOSE					
PILOT	100	3/8"	1150	MALE STRAIGHT 12L (M18x1,5)	POS. 3

**MACHINE MULTICONNECTOR
 MULTIONE 2-4-5-6-7-8 SERIES**



HOSE TYPE	WORK PRES BAR	HOSE DIAMETER	LENGHT RUBBER HOSE	1st FITTING DIN 2353	2nd FITTING WEO
2 SERIES					
"C" PORTS HOSES					
1SC	160	1/2"	730	FEMALE 90° 12L (M18x1,5)	POS. 2
1SC	160	1/2"	690	FEMALE STRAIGHT 12L (M18x1,5)	POS. 2
"D" PORT HOSE					
PILOT	100	3/8"	710	FEMALE 90° 12L (M18x1,5)	POS. 3
4-5 SERIES					
"C" PORTS HOSES					
1SC	160	1/2"	730	MALE STRAIGHT 15L (M22x1,5)	POS. 2
1SC	160	1/2"	780	MALE STRAIGHT 15L (M22x1,5)	POS. 2
"D" PORT HOSE					
PILOT	100	3/8"	790	MALE STRAIGHT 12L (M18x1,5)	POS. 3
6-7-8 SERIES					
"C" PORTS HOSES					
1SC	160	1/2"	970	MALE STRAIGHT 15L (M22x1,5)	POS. 2
"D" PORT HOSE					
PILOT	100	3/8"	1060	MALE STRAIGHT 12L (M18x1,5)	POS. 3

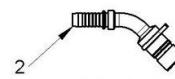
A 45° FITTING WEO SIZE 3/4"
 FOR 5/8" HOSE



B 45° FITTING WEO SIZE 1/2"
 FOR 3/8" HOSE



C 45° FITTING WEO SIZE 3/4"
 FOR 1/2" HOSE

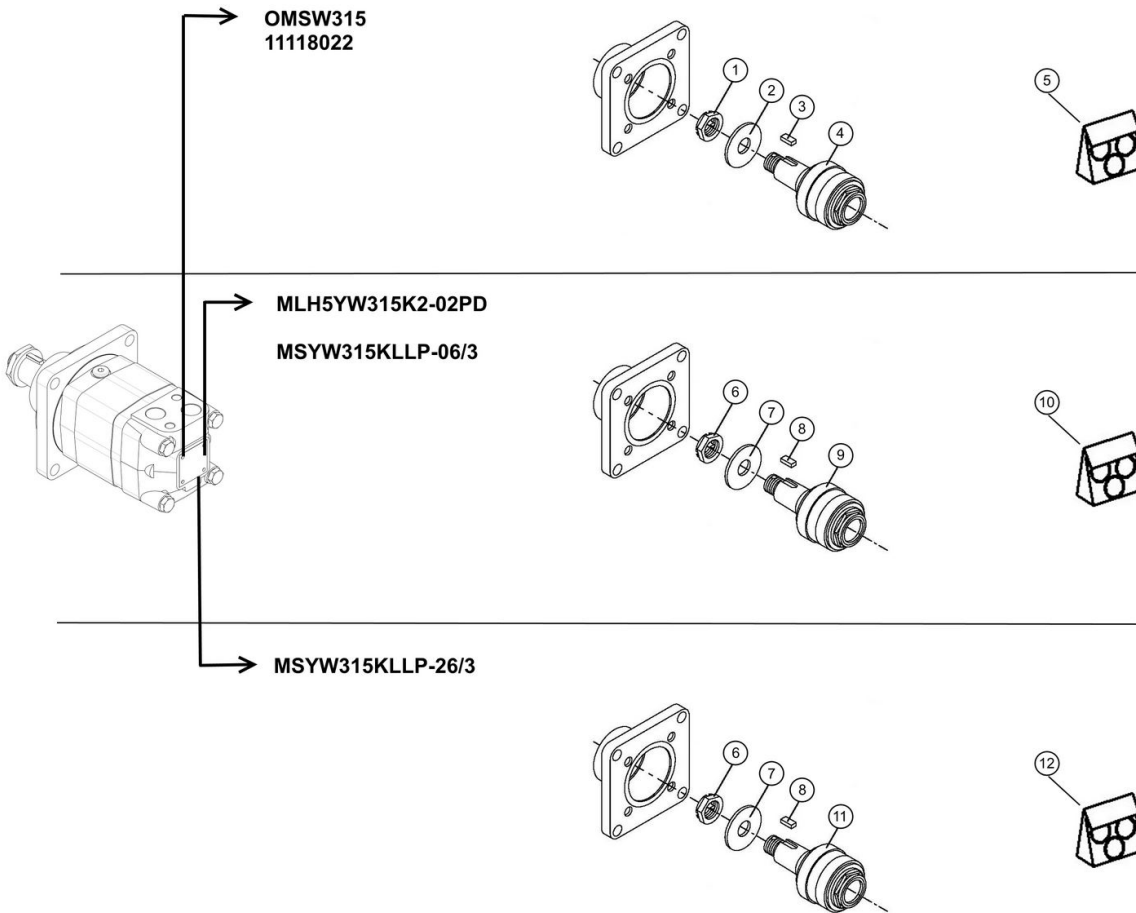


D 45° FITTING WEO SIZE 1/2"
 FOR 3/8" HOSE



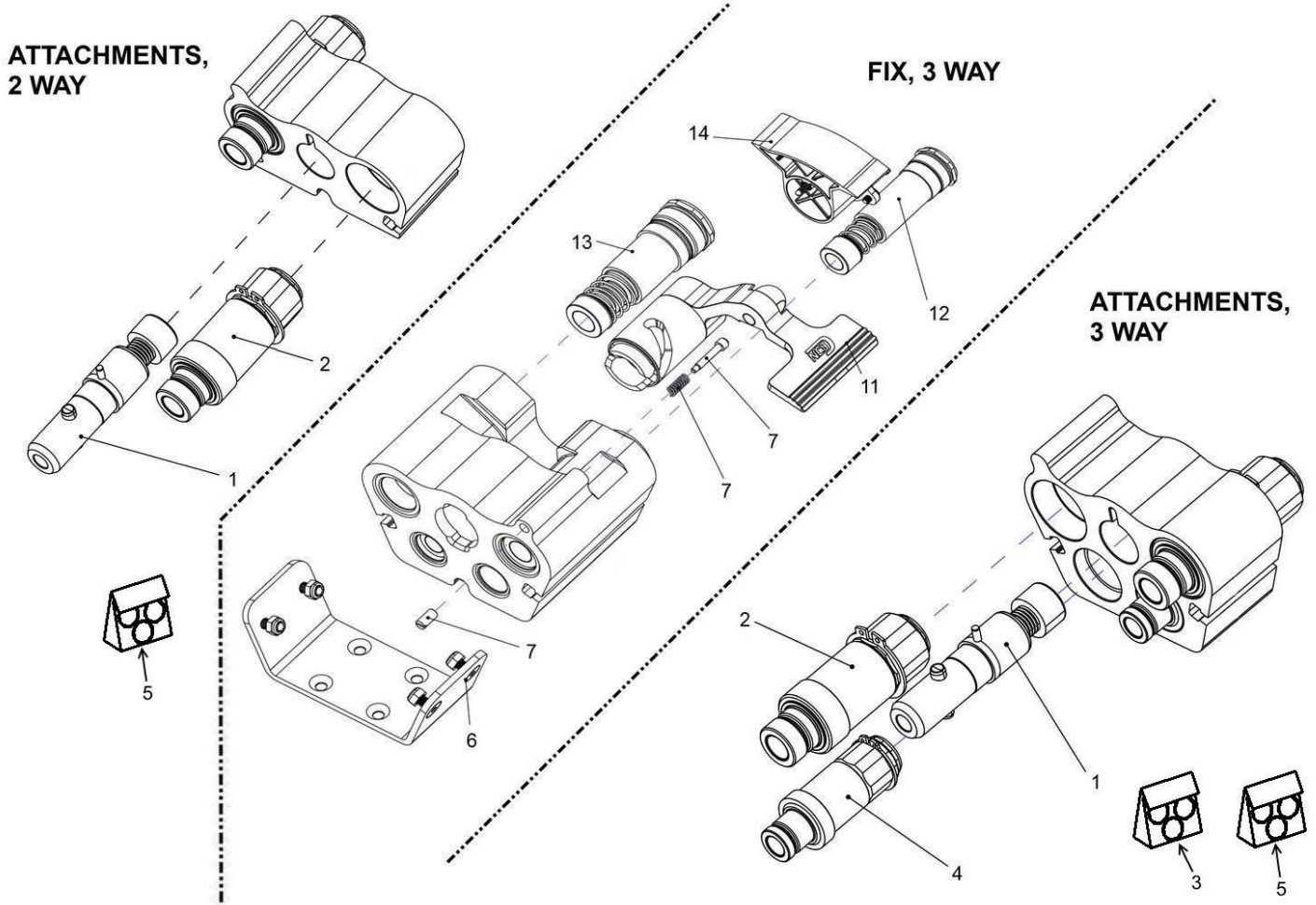
Component list [TAV. 96 MACHINE MULTICONNECTOR WEO FITTINGS]

Pos.	Code	Description	Q.ty
1	C033401	45° FITTING WEO SIZE 3/4" FOR 5/8" HOSE	1.00000
2	C033402	45° FITTING WEO SIZE 3/4" FOR 1/2" HOSE	1.00000
3	C033405	45° FITTING WEO SIZE 1/2" FOR 3/8" HOSE	1.00000
4	C033410	STRAIGHT FITTING WEO SIZE 1/2" FOR 1/2" HOSE	1.00000
5	C033411	STRAIGHT FITTING WEO SIZE 1/2" FOR 3/8" HOSE	1.00000
6	C033416	90° FITTING WEO SIZE 1/2" FOR 3/8" HOSE	1.00000
7	C033425	STRAIGHT FITTING WEO SIZE 3/8" FOR 3/8" HOSE	1.00000



Component list [TAV. 98 WHEEL MOTOR DETAILS]

Pos.	Code	Description	Q.ty
1	FF139/681X8235	THREAD FERRULE	1.00000
2	FF139/684X2530	WASHER	1.00000
3	FF139/682L8021	PARALLEL KEY	1.00000
4	FF139/151F0114	SHAFT AND BEARING FOR OMSW	1.00000
5	FF139/151F0111	SEAL KIT FOR OMSW MOTORS	1.00000
6	FF424/4981700200	CASTELLAETD NUT FOR MOTOR SHAFT	1.00000
7	FF424/4981702700	WASHER FOR MOTOR SHAFT	1.00000
8	FF424/5682100100	KEY FOR MOTOR SHAFT	1.00000
9	FF424/4132402400B	SHAFT W/BERINGS FOR MSYW-KLLP-3 MOTOR	1.00000
10	FF424/4151274200	SEAL KIT FOR MSYW-KLLP/3 MOTOR	1.00000
11	FF424/127414310026	SHAFT W/BERINGS FOR MSYW-KLLP-26/3 MOTOR	1.00000
12	FF424/4151274143LLP-26	SEAL KIT FOR MSYW-KLLP-26/3 MOTOR	1.00000



Component list [TAV. 99 HYDRAULIC MULTI COUPLING PLATE, FIX 3 WAY, ATTACHMENTS 3 WAY, ATTACHMENTS 2 WAY]

Pos.	Code	Description	Q.ty
1	FF1187/109324972	CENTER BOLT KIT	1.00000
2	FF1187/105646905	MALE JOINY KIT DN 12,5	1.00000
3	FF1187/103654991	DN 10 SEAL KIT	1.00000
4	FF1187/103646904	MALE JOINY KIT DN 10	1.00000
5	FF1187/105654991	DN 12,5 SEAL KIT	1.00000
6	FF1187/109324975	MOUNTING BRACKET	1.00000
7	FF1187/109324992	LOCKING LEVER PIN KIT	1.00000
11	FF1187/109324970	LOCKING LEVER KIT	1.00000
12	FF1187/103651906	FEMALE JOINY KIT DN 10	1.00000
13	FF1187/105651907	FEMALE JOINY KIT DN 12,5	1.00000
14	FF1187/109324971	BACK LID KIT	1.00000