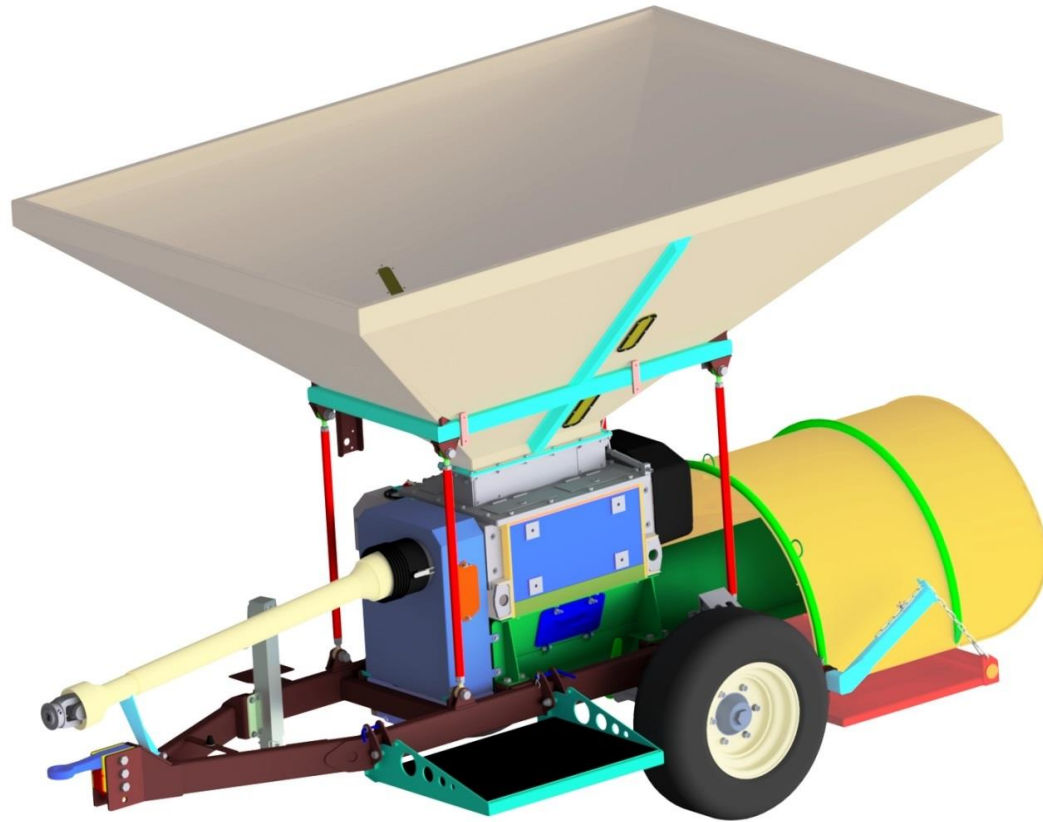


CP1_{little}



The catalogue content, especially technical information and solution principles are the exclusive property of company ROmiLL, spol. s.r.o. and are protected by the law.

Use in principle only original and approved spare parts ROmiLL.

Contact:

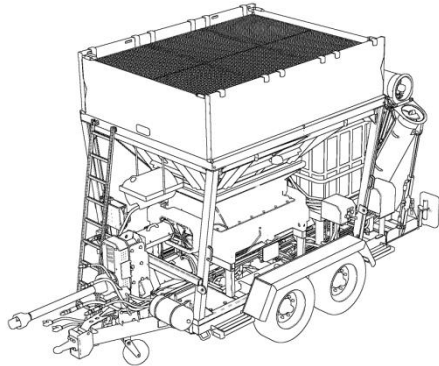
Denisa Boušková
denisa@romill.cz
Tel.: +420 733 678 205
www.romill.cz

ROmiLL, spol. s r.o.
Tkalcovská 799/17, Brno 602 00
Česká republika

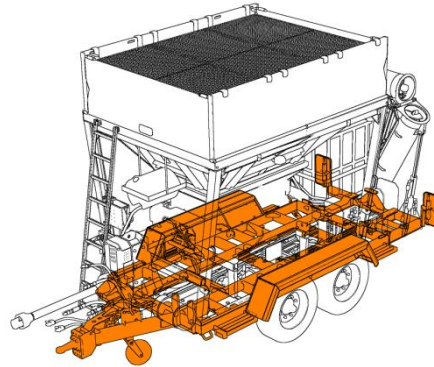
Mirka Konečná
konecna@romill.cz
Tel.: +420 731 439 770
www.romill.cz
ROmiLL, spol. s r.o.
Jiráskova 1336/53, 697 01 Kyjov
Česká republika

CATALOGUE DIVISION: (Only illustration view)

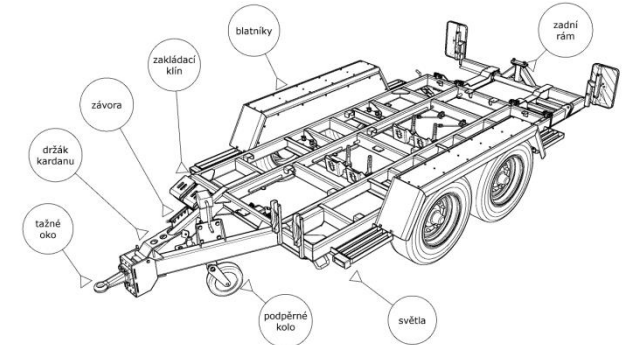
MACHINE



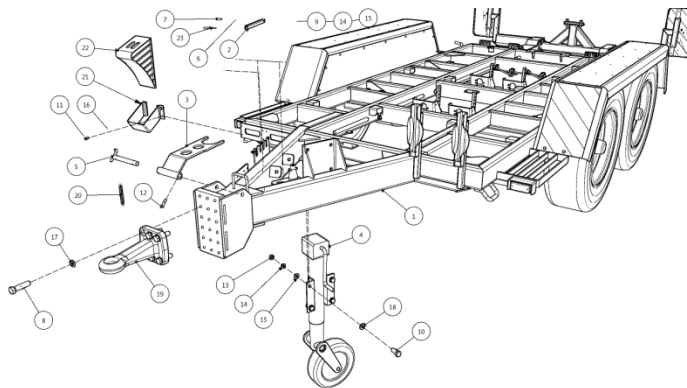
ASSEMBLY



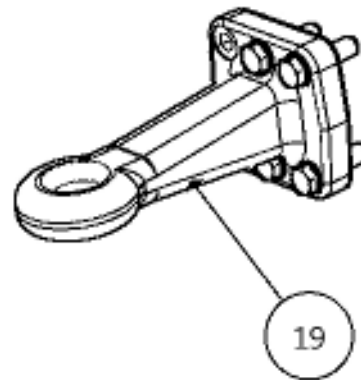
SUB-ASSEMBLY



EXPLODE



POSITION



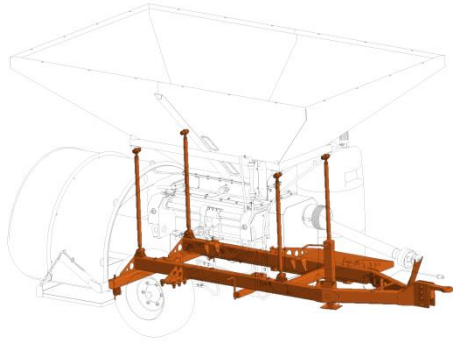
BOM

position	name	evidence number
19	towing attachment	900212

Each position is entered into the BOM, under the evidence number.

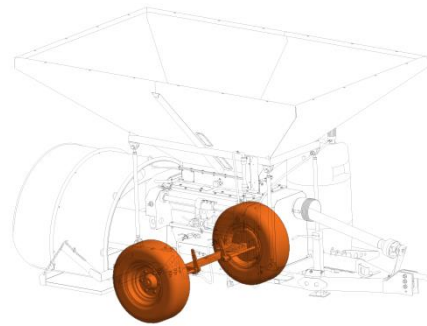
Evidence number and number of pieces indicate when ordering.

CP1 little



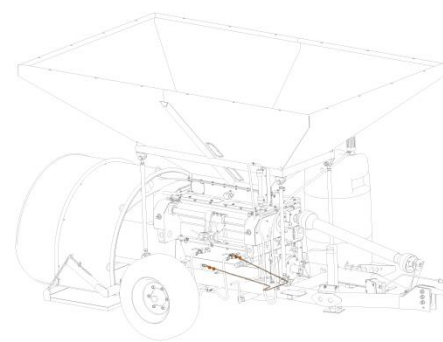
01 FRAME

pg. 6-9



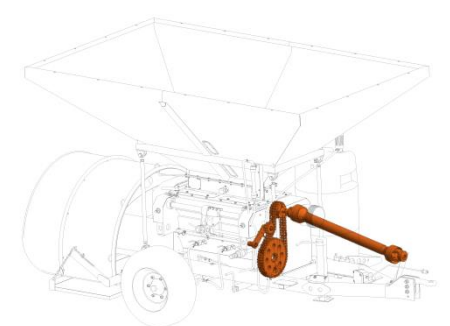
02 AXLE

pg. 10 - 13



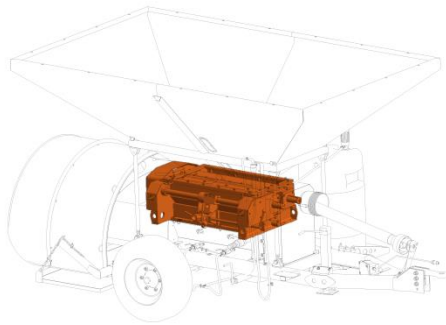
03 BRAKING SYSTEM

pg. 14 - 15



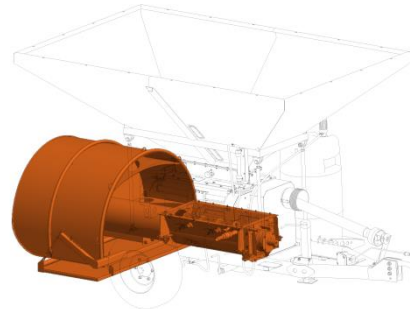
04 DRIVE, GEARS

pg. 16 - 17



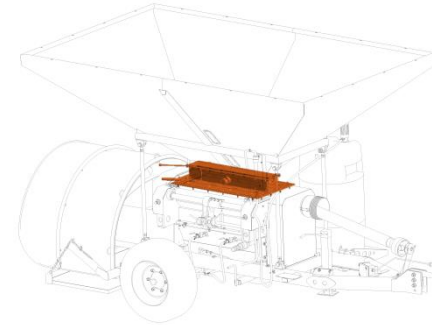
05 CRUSHING UNIT

pg. 18 - 35



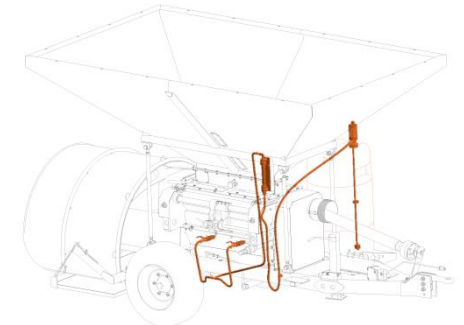
06 EXTRUSION MECHANISM

pg. 36 - 45



07 GRAIN DOSING

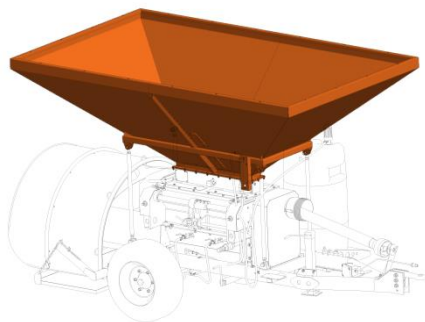
pg. 46 - 51



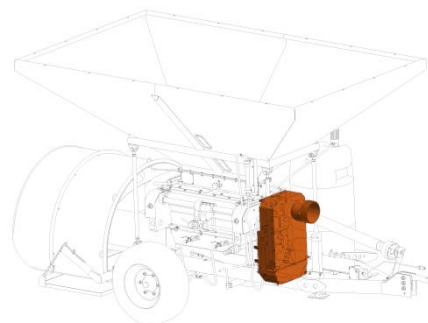
08 PRESERVATIVE DOSING

pg. 52 - 56

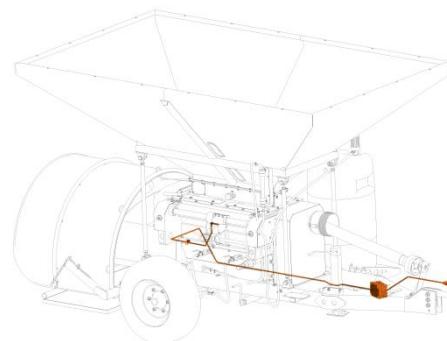
CP1 little



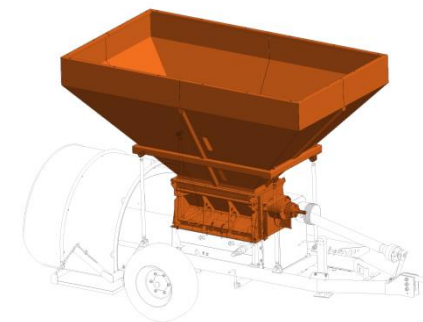
11 HOPPER
pg. 58 - 59



12 COVERING
pg. 60 - 61

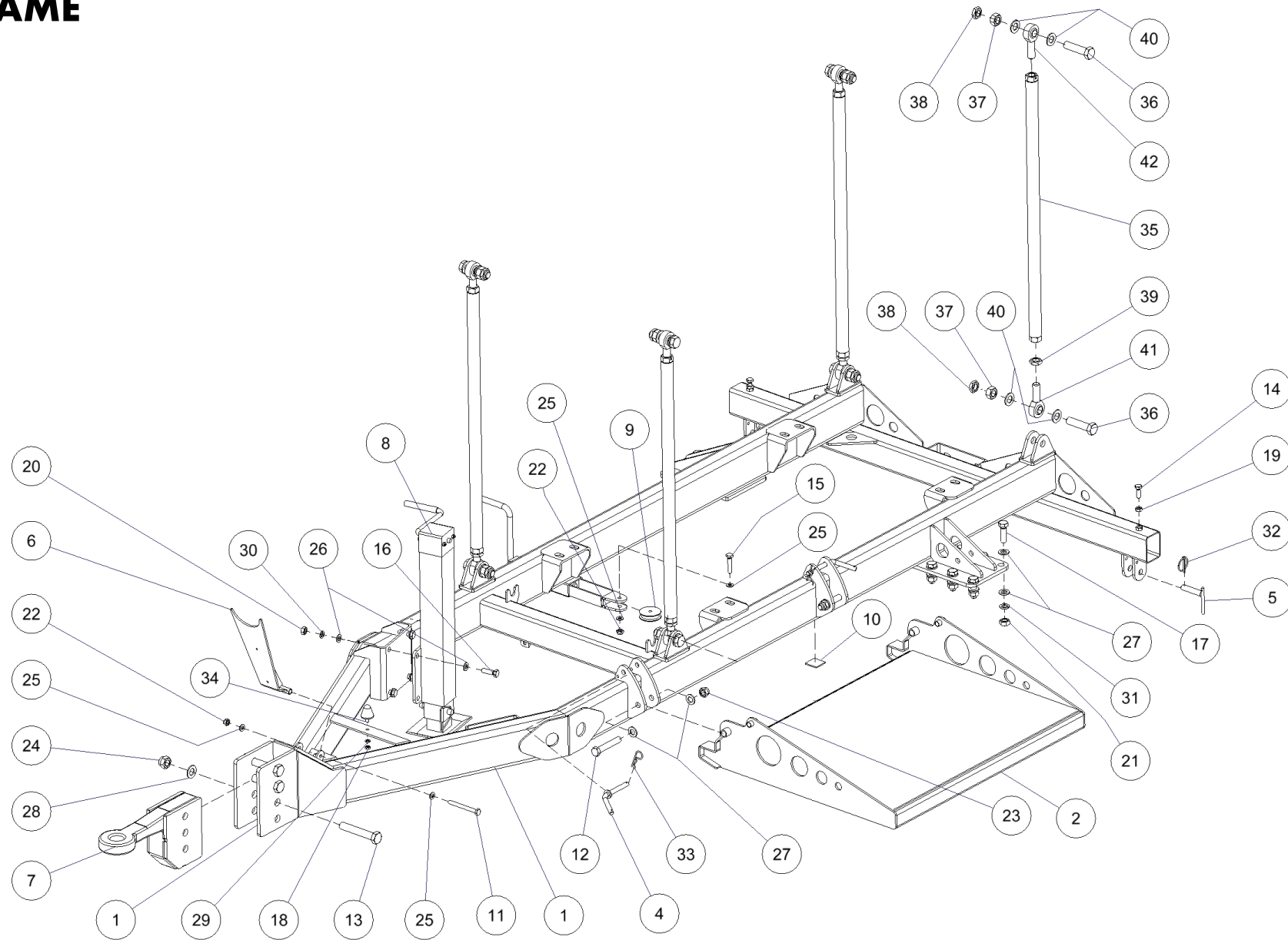


13 ELECTROINSTALLATION
pg. 62 - 63



19 ADAPTER
pg. 64 - 67

CP1 little 01 FRAME

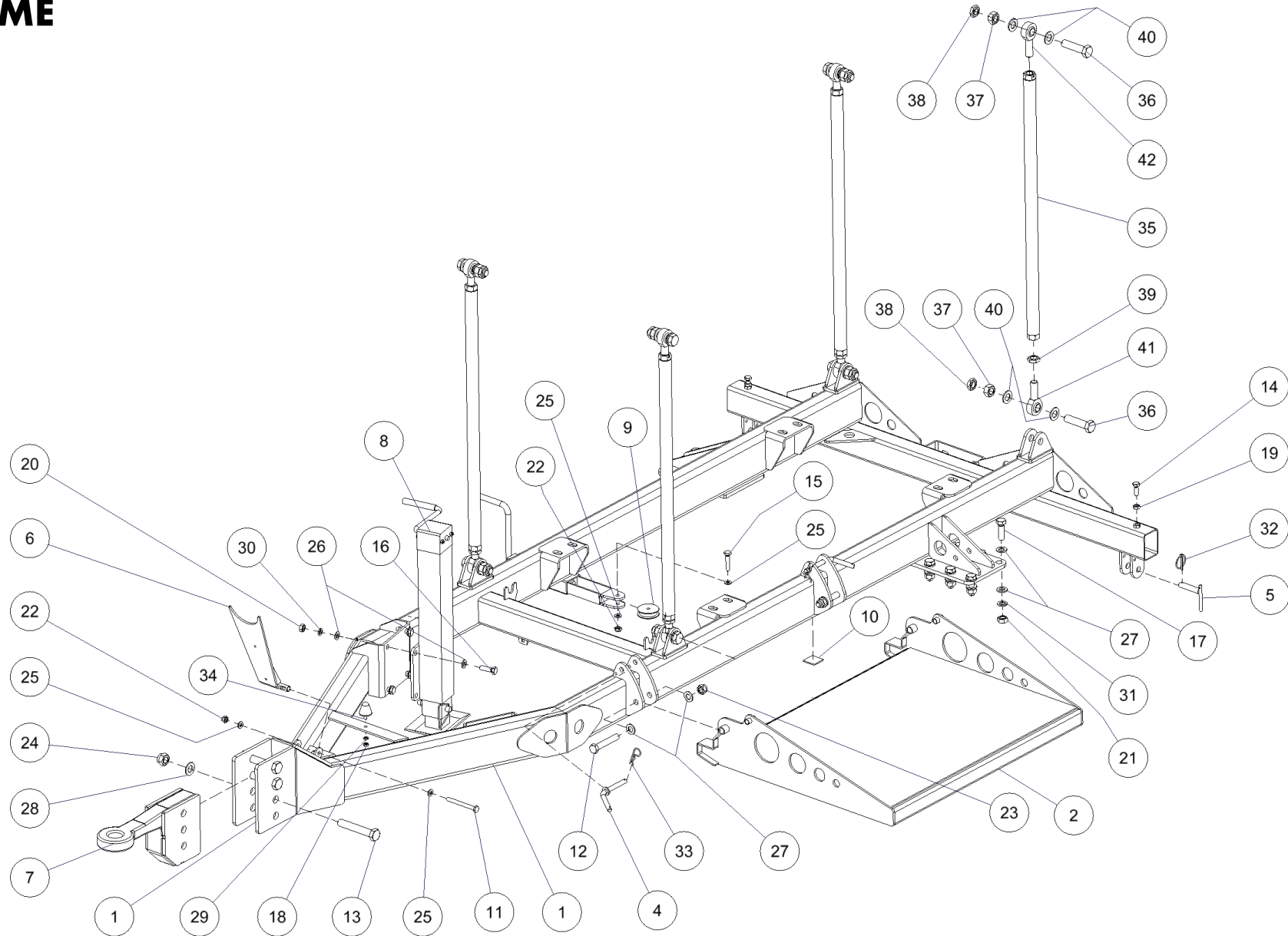


CP1 little

01 FRAME

POSITION	PART NAME	EVIDENCE NUMBER	PRICE/1pc	PIECES	NOTE
1	Frame	182 01 01 00_4		1	
2	Barrel holder	117 01 02 00_0		1	
3	Hopper support	117 01 03 00_1		4	
4	Locking pivot	117 01 05 00_0		2	
5	Plate pivot	117 01 06 00_0		2	
6	Cardan holder	117 01 07 00_0		1	
7	Eye	900426		1	
8	Supporting leg	117 01 09 00_0		1	
9	Pulley	117 01 00 01_0		1	
10	Rubber stopper	117 01 00 02_0		2	
11	Screw M10x100 - 8.8 - Zn, DIN 931	0011010011		1	
12	Screw M16x95 - 8.8 - Zn, DIN 931	0011609511		2	
13	Screw M20x120 - 8.8 - Zn, DIN 931	0012012011		3	
14	Screw M10x30 - 8.8 - Zn, DIN 933	0021003011		21	
15	Screw M10x50 - 8.8 - Zn, DIN 933	0021005011		1	
16	Screw M12x40 - 8.8 - Zn, DIN 933	0021204011		4	
17	Screw M16x50 - 8.8 - Zn, DIN 933	0021605011		12	
18	Nut M8 - 8 - Zn, DIN 934	2000800011		1	
19	Nut M10 - 8 - Zn, DIN 934	2001000011		2	
20	Nut M12 - 8 - Zn, DIN 934	2001200011		4	
21	Nut M16 - 8 - Zn, DIN 934	2001600011		12	
22	Self-locking Nut M10 - 8 - Zn, DIN 985	2111000011		2	
23	Self-locking Nut M16 - 8 - Zn, DIN 985	2111600011		2	
24	Self-locking Nut M20 - 10 - Zn, DIN 982	2112000021		3	
25	Washer 10,5 - Zn, DIN 125	2501000001		4	
26	Washer 13 - Zn, DIN 125	2501300001		8	
27	Washer 17 - Zn, DIN 125	2501700001		28	
28	Washer 21 - Zn, DIN 125	2502100001		3	
29	Flexible washer 8 - Zn, DIN 127	2580800001		1	
30	Flexible washer 12 - Zn, DIN 127	2581200001		4	

CP1 little 01 FRAME

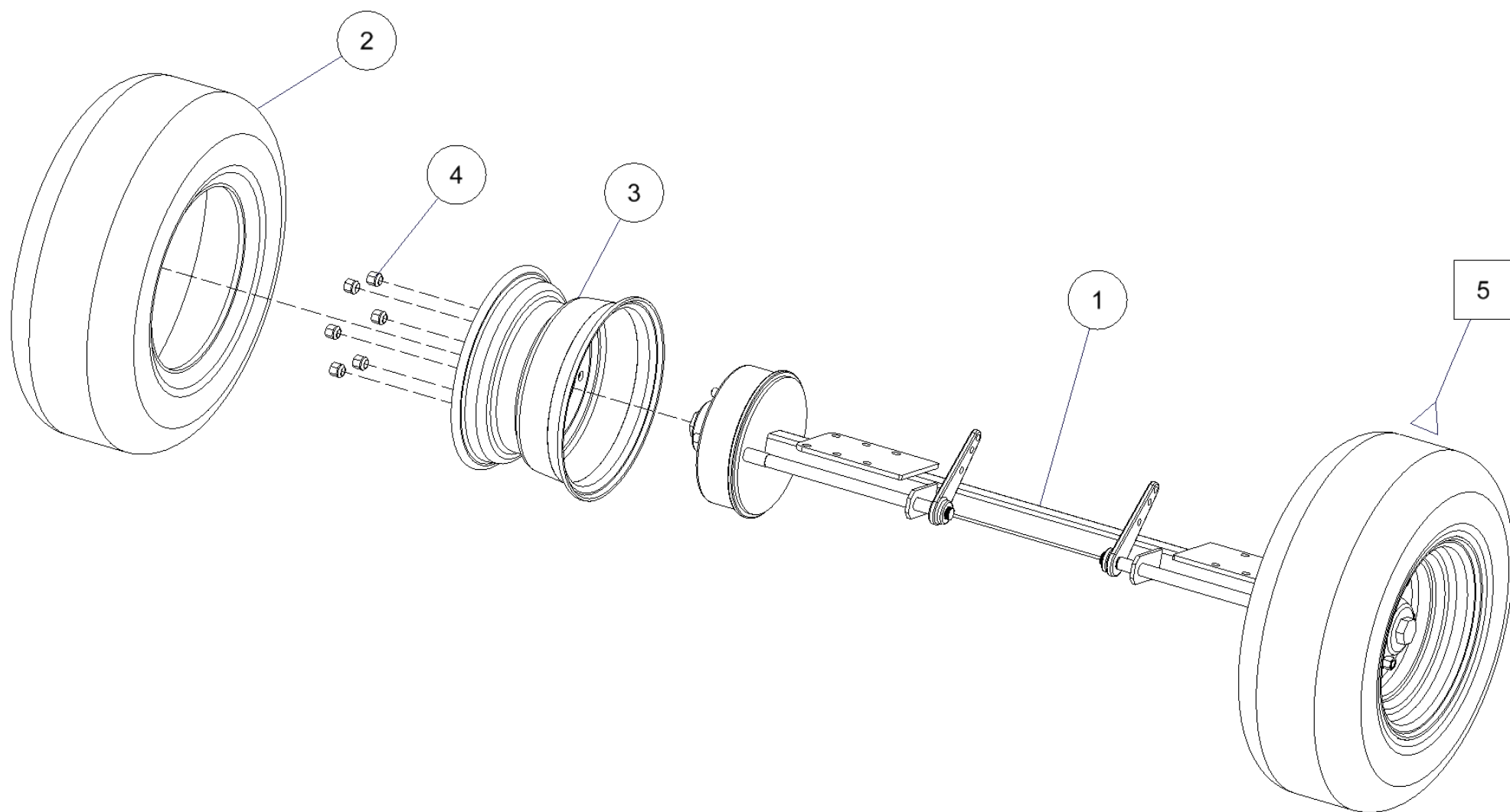


CP1 little

01 FRAME

POSITION	PART NAME	EVIDENCE NUMBER	PRICE/1pc	PIECES	NOTE
31	Flexible washer 16 - Zn, DIN 127	2581600001		12	
32	Locking pivot with ring	900502		2	
33	Spring split pin	900552		2	
34	Bumper spring	900392		1	
35	Hopper support	117 01 30 00_0		1	
36	Screw M20x80 - 8.8 - Zn, DIN 931	0012008011		2	
37	Nut M20 - 8 - Zn, DIN 934	2002000011		2	
38	Nut M20 - Zn, DIN 439	2012000011		2	
39	Nut fine thread M20 - Zn, DIN 439	2012000211		1	
40	Articulated head	900256		4	
41	Articulated head	900257		1	

CP1 little 02 AXLE

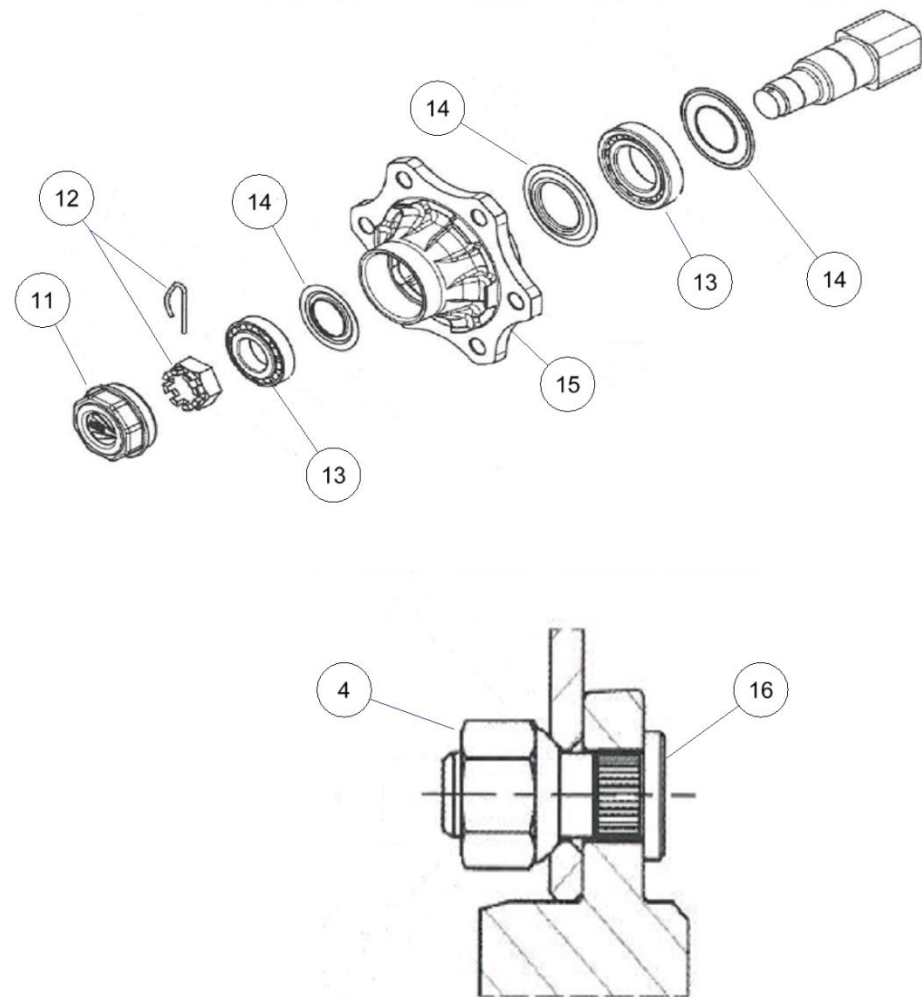
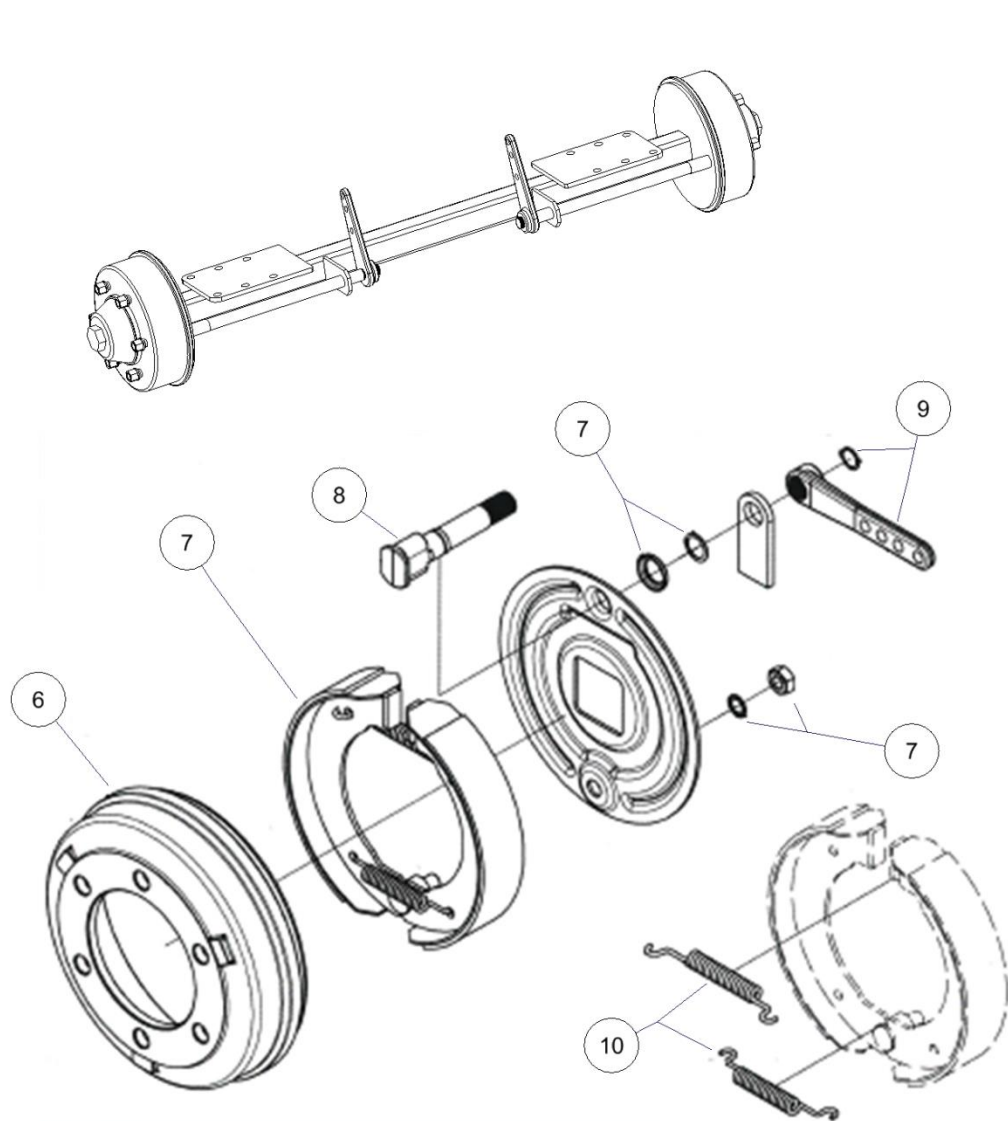


CP1 little

02 AXLE

POSITION	PART NAME	EVIDENCE NUMBER	PRICE/1pc	PIECES	NOTE
1	Axle with holders	117 02 01 00_0		1	
2	Tire	900488		2	
3	Rim	900612		2	
4	Wheel nut - set	900369		1	
5	Set of the rim and tire	500003		2	

CP1 little 02 AXLE



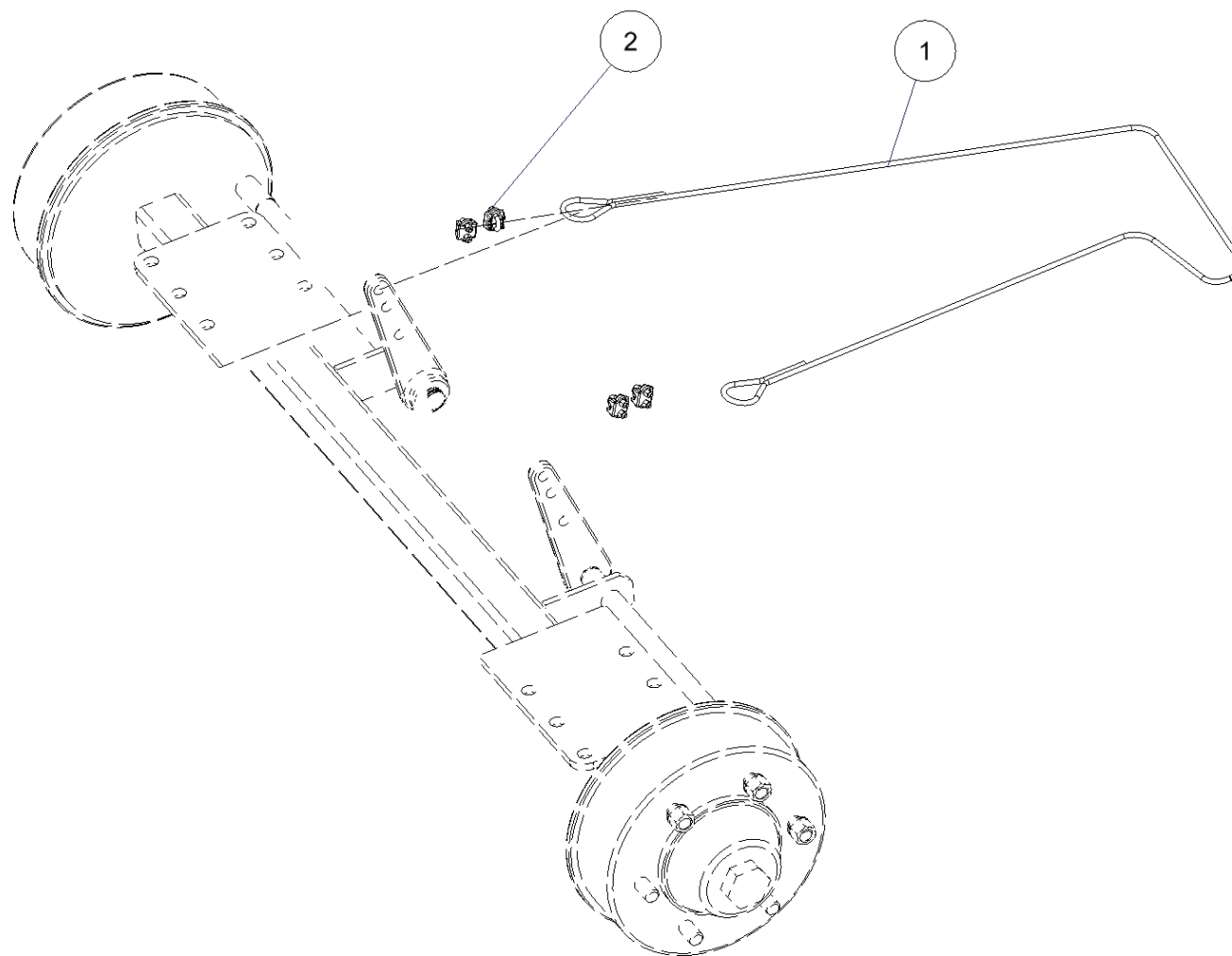
CP1 little

02 AXLE

POSITION	PART NAME	EVIDENCE NUMBER	PRICE/1pc	PIECES	NOTE
4	Wheel nut - set	900369		1	
6	Brake drum	900009		1	
7	Brake jaw with sealing set	900007		1	
8	Shaft	900227		1	
9	Lever with ring - set	900442		1	
10	Set of spring	900554		1	
11	Covering lid	900297		1	
12	Nut with lock - set	900372		1	
13	Set of wheel bearing	900341		1	
14	Wheel seal - set	900735		1	
15	Hub of the wheel	900386		1	
16	Set of pivot wheel	900016		1	

CP1 little

03 BRAKING SYSTEM

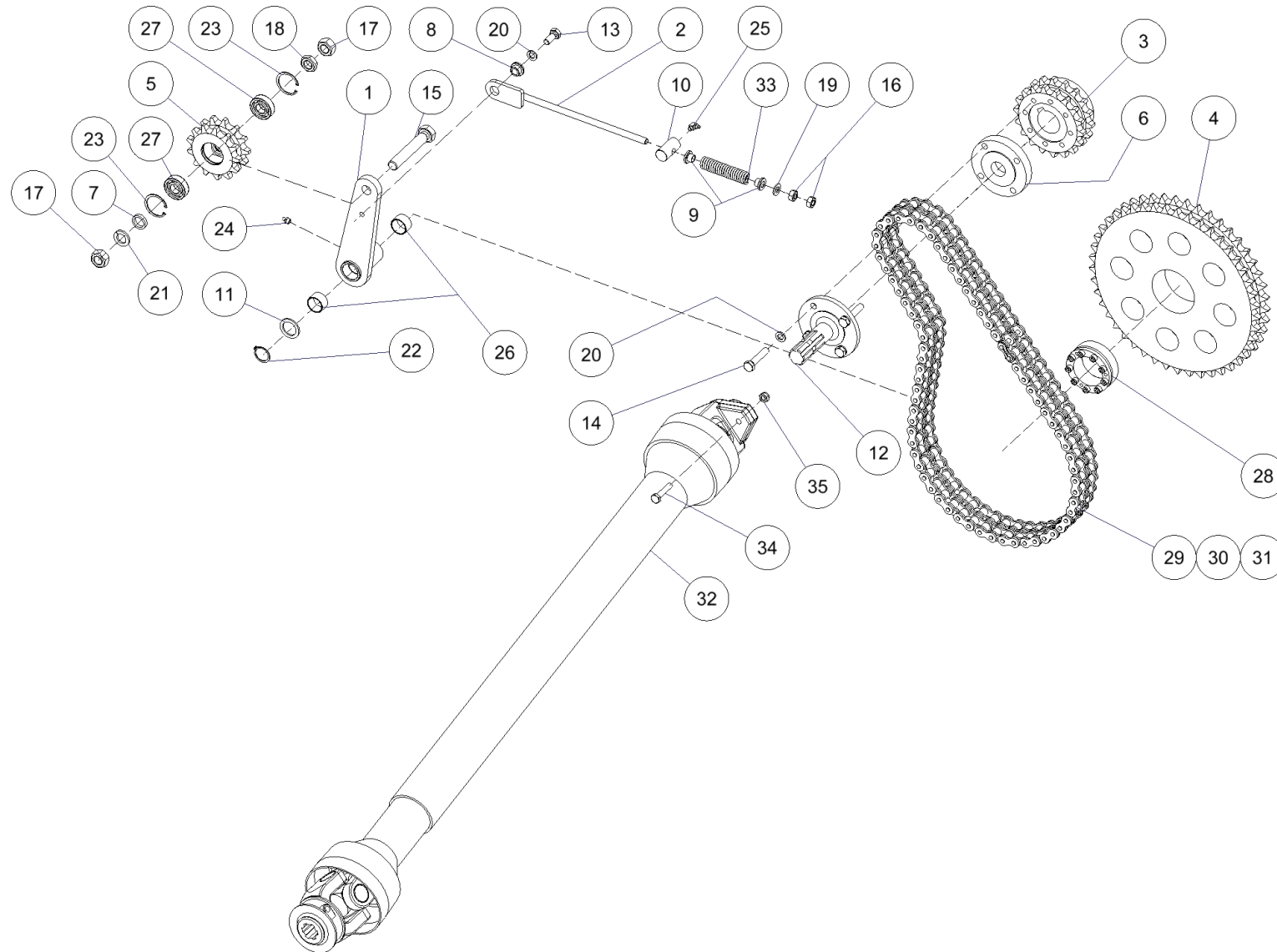


CP1 little

03 BRAKING SYSTEM

POSITION	PART NAME	EVIDENCE NUMBER	PRICE/1pc	PIECES	NOTE
1	Rope	900326		1	
2	Rope clamp	900332		4	

CP1 little 04 DRIVE, GEARS



CP1 little

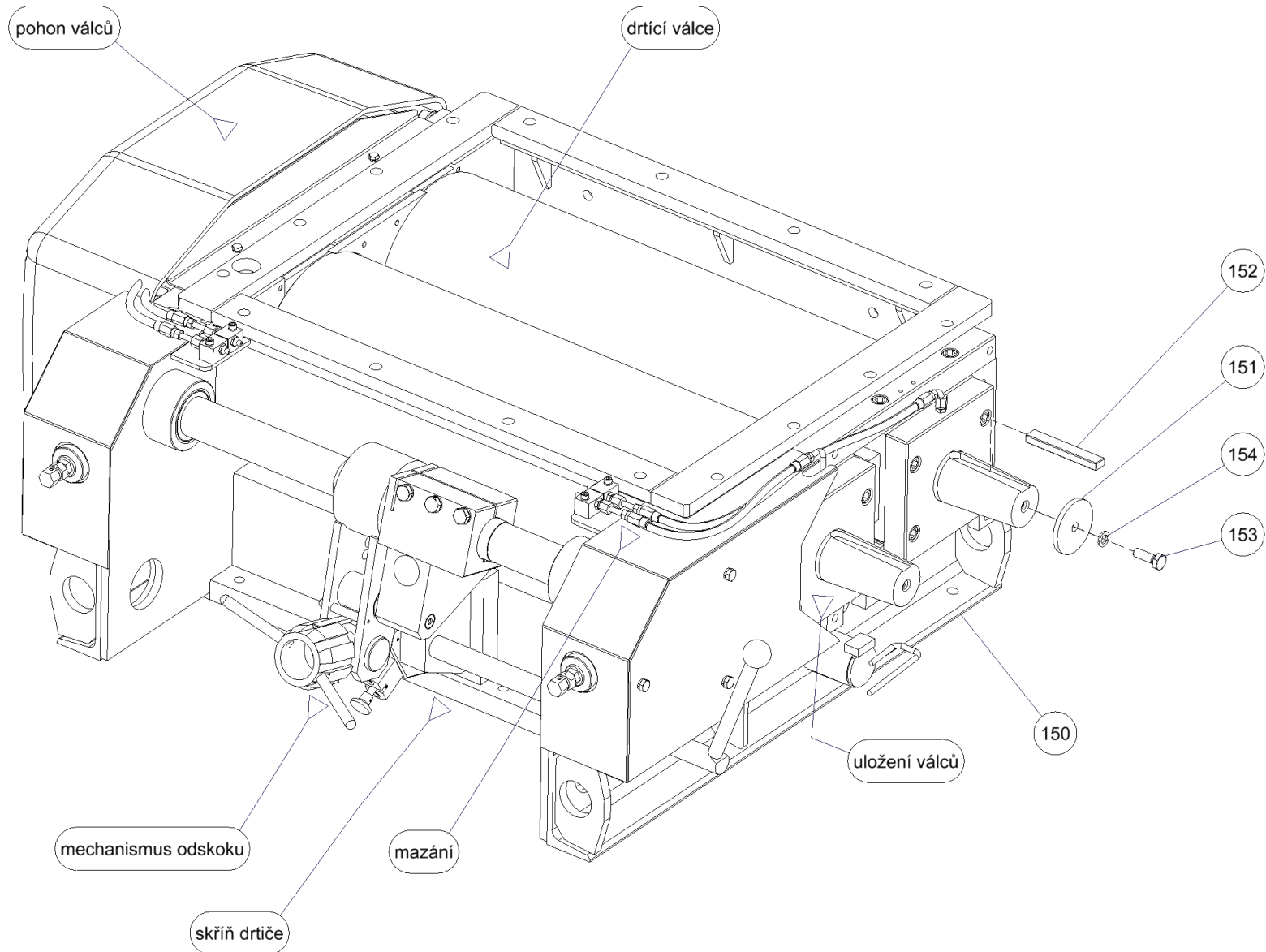
04 DRIVE, GEARS

POSITION	PART NAME	EVIDENCE NUMBER	PRICE/1pc	PIECES	NOTE
1	Tension arm	117 04 01 00_0		1	
2	Tensioning rod	117 04 02 00_0		1	
3	Chain wheel	074 04 00 01_2		1	
4	Chain wheel	074 04 00 02_1		1	
5	Chain wheel	074 04 00 03_1		1	
6	Insertion	074 04 00 04_0		1	
7	Distance ring	074 04 00 05_0		3	
8	Washer	074 04 00 06_0		1	
9	Spring bottom	074 04 00 07_1		2	
10	Rod guide	117 04 00 10_0		1	
11	Ring washer	117 04 00 12_0		1	
12	Flange 1 3/8", z6	000 21 00 01_0		1	
13	Screw M12x30 - 8.8 - Zn, DIN 933	0021203011		1	
14	Screw M12x60 - 8.8 - Zn, DIN 933	0021206011		4	
15	Screw M20x120 - 8.8 - Zn, DIN 933	0022012011		1	
16	Nut M12 - 8 - Zn, DIN 934	2001200011		2	
17	Nut M20 - 8 - Zn, DIN 934	2002000011		2	
18	Nut M20 - Zn, DIN 439	2012000011		1	
19	Washer 13 - Zn, DIN 125	2501300001		1	
20	Flexible washer 12 - Zn, DIN 127	2581200001		5	
21	Flexible washer 20 - Zn, DIN 127	2582000001		1	
22	Locking ring	900507		1	
23	Locking ring	900505		2	
24	Nipple	900375		1	
25	Nipple	900374		1	
26	Bearing housing (bushing)	900360		2	
27	Single row ball bearing	900313		2	
28	Clamping bushing	900798		1	
29	Chain	900652		1	
30	Connection article	900699		1	
31	Reduction article	900616		1	
32	Cardan	900250		1	
33	Spring	900549		1	
34	Screw M10x50 - 8.8 - Zn, DIN 931	0011005011		1	
35	Self-locking Nut M10 - 8 - Zn, DIN 985	21110000111			

CP1 little

05 CRUSHING UNIT

sub-assembly



CP1 little

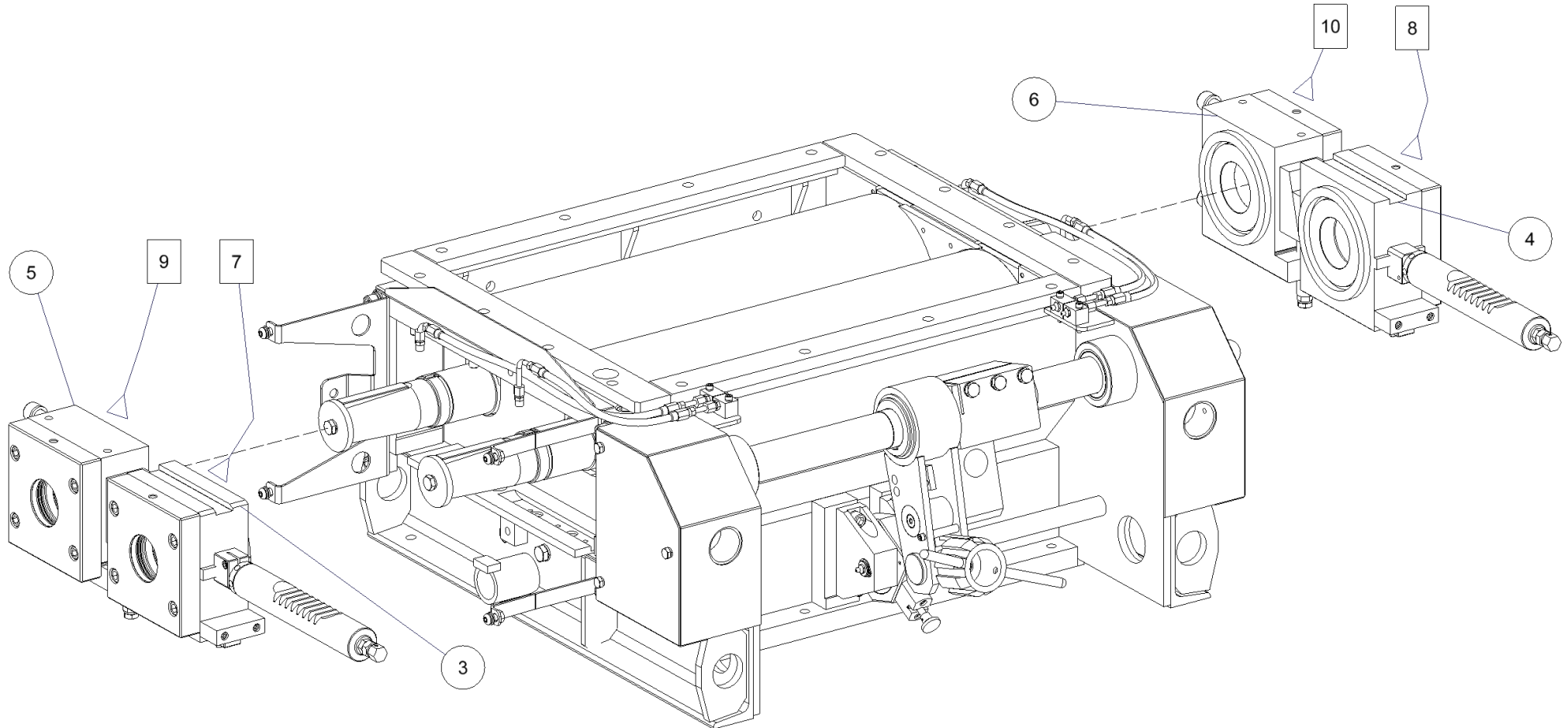
05 CRUSHING UNIT

POSITION	PART NAME	EVIDENCE NUMBER	PRICE/1pc	PIECES	NOTE
150	Crushing unit S600	022 00 00 00_0		1	
151	Washer	107 00 00 02_0		1	
152	Shaft groove	107 00 00 34_0		1	
153	Screw M10x30 - 8.8 - Zn, DIN 933	0021003011		1	
154	Flexible washer 10 - Zn, DIN 127	2581000001		1	

CP1 little

05 CRUSHING UNIT

rollers drive



CP1 little

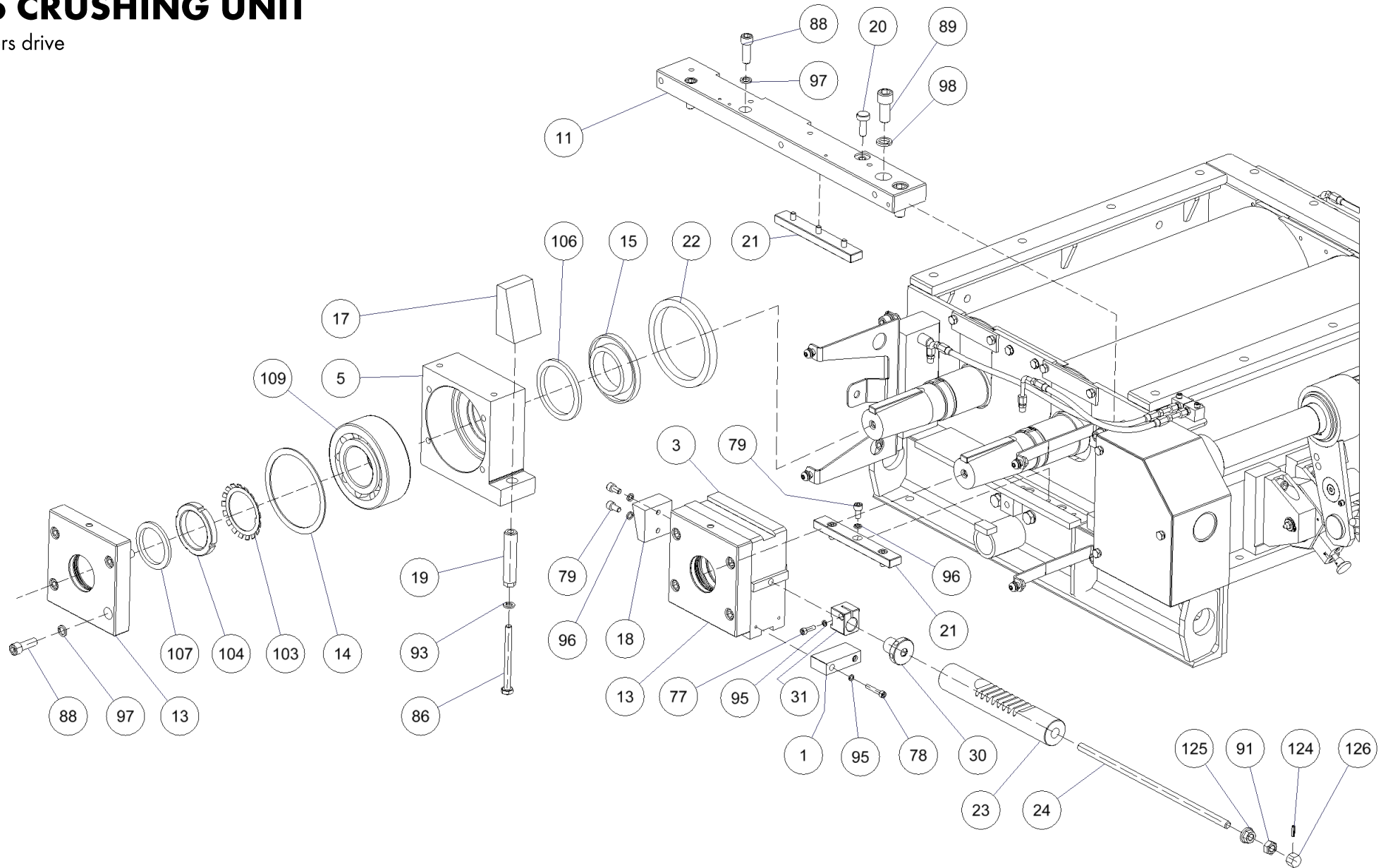
05 CRUSHING UNIT- rollers drive

POSITION	PART NAME	EVIDENCE NUMBER	PRICE/1pc	PIECES	NOTE
3	Bearing housing movable L	107 00 00 04_1		1	
4	Bearing housing movable R	107 00 00 05_1		1	
5	Bearing housing fixed L	107 00 00 06_1		1	
6	Bearing housing fixed R	107 00 00 07_1		1	
7	Set of bearing housing movable	500007		1	
8	Set of bearing housing fixed	500008		1	
9	Set of bearing housing movable	500009		1	
10	Set of bearing housing fixed	500010		1	

CP1 little

05 CRUSHING UNIT

rollers drive



CP1 little

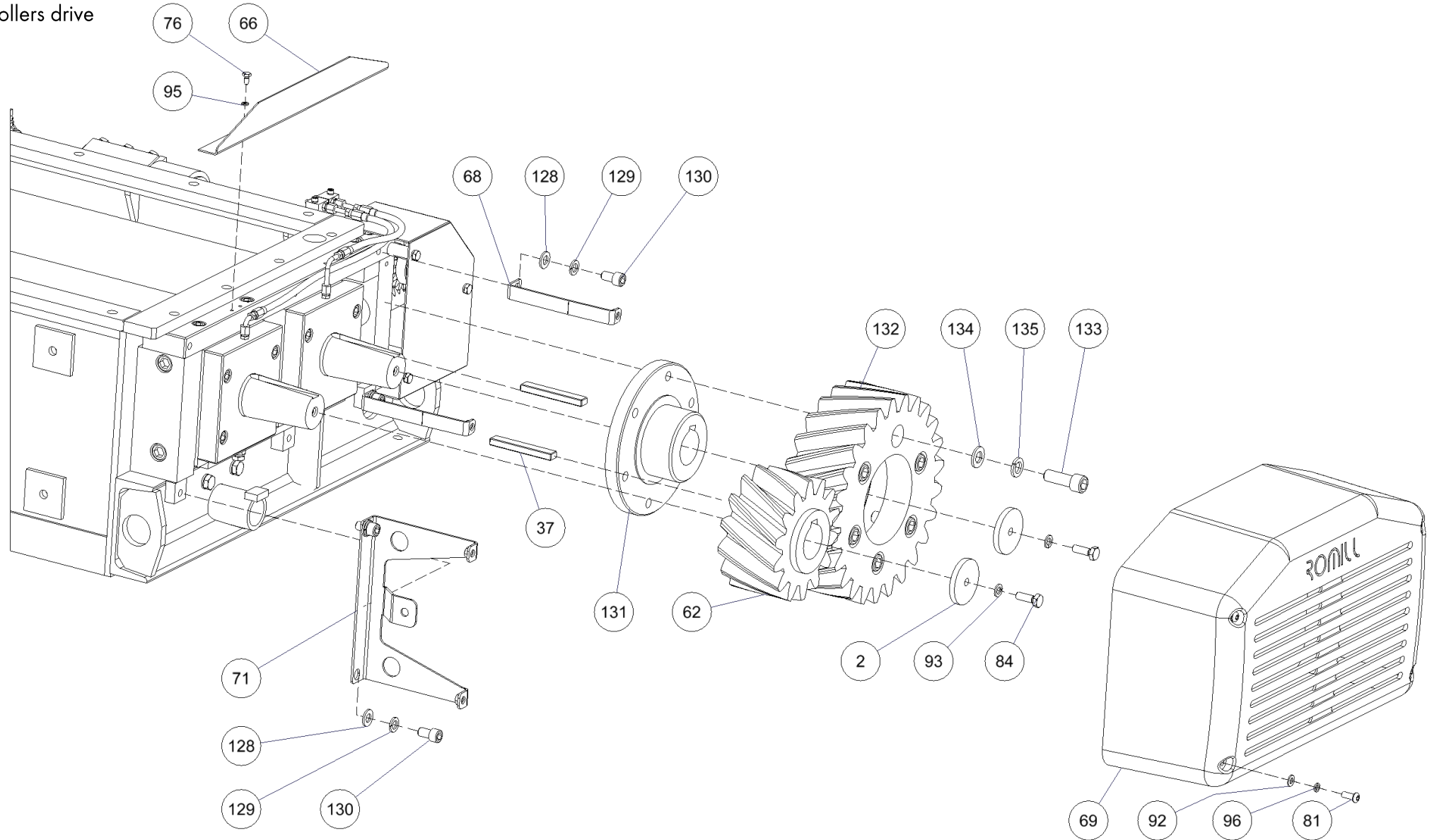
05 CRUSHING UNIT - rollers drive

POSITION	PART NAME	EVIDENCE NUMBER	PRICE/1pc	PIECES	NOTE
1	Stopper	107 00 00 01_0		1	
3	Bearing housing movable L	107 00 00 04_1		1	
5	Bearing housing fixed L	107 00 00 06_1		1	
11	Ledge	107 00 00 08_0		1	
13	Bearing housing lid	107 00 00 10_1		4	
14	Ring (distance ring)	107 00 00 11_0		2	
15	Ring (labyrinth packing)	107 00 00 12_0		4	
17	Adjusting wedge	107 00 00 14_0		2	
18	Wedge	107 00 00 15_0		2	
19	Screw	107 00 00 16_0		2	
20	Lifting pin	107 00 00 17_0		1	
21	Shaft groove	107 00 00 18_0		4	
22	Seal	107 00 00 19_0		4	
23	Rack	107 00 00 20_0		2	
24	Bounce screw	107 00 00 53_0		2	
30	Nut	107 00 00 27_0		2	
31	Nut	107 00 00 28_0		2	
77	Screw imbus M6x20 - 8.8 - Zn, DIN 912	0030602011		3	
78	Screw imbus M6x35 - 8.8 - Zn, DIN 912	0030603511		4	
79	Screw imbus M8x16 - 8.8 - Zn, DIN 912	0030801611		16	
86	Screw M10x110 - 8.8 - Zn, DIN 931	0011011011		2	
88	Screw imbus M12x35 - 8.8 - Zn, DIN 912	0031203511		20	
89	Screw imbus M16x35 - 8.8 - Zn, DIN 912	0031603511		4	
91	Nut M12 - 8 - Zn, DIN 934	2001200011		2	
93	Flexible washer 10 - Zn, DIN 127	2581000001		7	
95	Flexible washer for imbus 6 - Zn, DIN 7980	2600600001		9	
96	Flexible washer for imbus 8 - Zn, DIN 7980	2600800001		34	
97	Flexible washer for imbus 12 - Zn, DIN 7980	2601200001		24	
98	Flexible washer for imbus 16 - Zn, DIN 7980	2601600001		8	
100	Locking ring	900511		1	
103				4	
104	Nut KM13 - Zn, DIN 981	2171300011		4	
106	Felt ring	900293		4	
107	Felt ring	900289		4	
109	Bearing	900349		4	
124	Flexible pin	900561		2	

CP1 little

05 CRUSHING UNIT

rollers drive



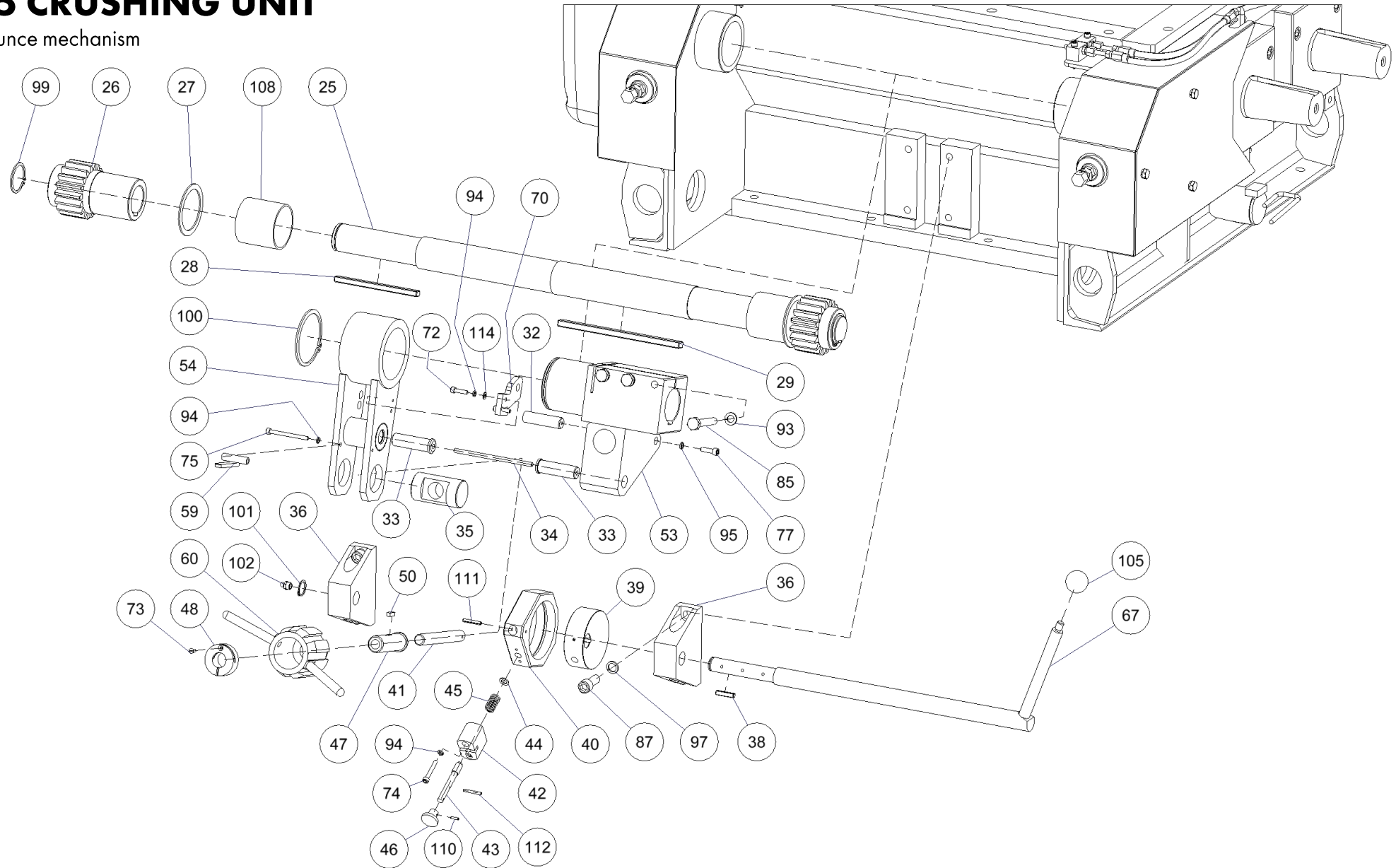
CP1 little

05 CRUSHING UNIT - rollers drive

POSITION	PART NAME	EVIDENCE NUMBER	PRICE/1pc	PIECES	NOTE
2	Washer	107 00 00 02_0		2	
37	Shaft groove	107 00 00 34_0		2	
62	Cog wheel	022 04 00 02_0		1	
66	Cover	107 12 00 01_0		1	
68	Cover holder	107 12 15 00_0		2	
69	Transmission cover of crushing unit	000 02 00 01		1	
71	Cover holder	107 12 14 00_0		1	
76	Screw M6x12 - 8.8 - Zn, DIN 933	0020601211		2	
81	Screw imbus M8x20 - 10.9 - Zn, DIN 912	0030802021		4	
84	Screw M10x30 - 8.8 - Zn, DIN 933	0021003011		2	
92	Washer 8,4 - Zn, DIN 125	2500800001		4	
93	Flexible washer 10 - Zn, DIN 127	2581000001		7	
95	Flexible washer for imbus 6 - Zn, DIN 7980	26006000019			
113	Flexible washer 8 - Zn, DIN 127	2580800001		4	
128	Washer 13 - Zn, DIN 125	2501300001		4	
129	Flexible washer 12 - Zn, DIN 127	2581200001		4	
130	Screw M12x20 - 8.8 - Zn, DIN 933	0021202011		4	
132	Cog wheel (plastic)	022 04 01 01_0		1	
133	Screw imbus M16 x 45 - 8.8 - Zn, DIN 912	0031604511		6	
134	Washer 17 - Zn, DIN 125	2501700001		6	
135	Flexible washer 16 - Zn, DIN 127	2581600001		6	
136	Wiping ledge	022 00 09 00_0		1	
137	Ledge angle bar	107 00 10 00_1		1	

CP1 little 05 CRUSHING UNIT

bounce mechanism



CP1 little

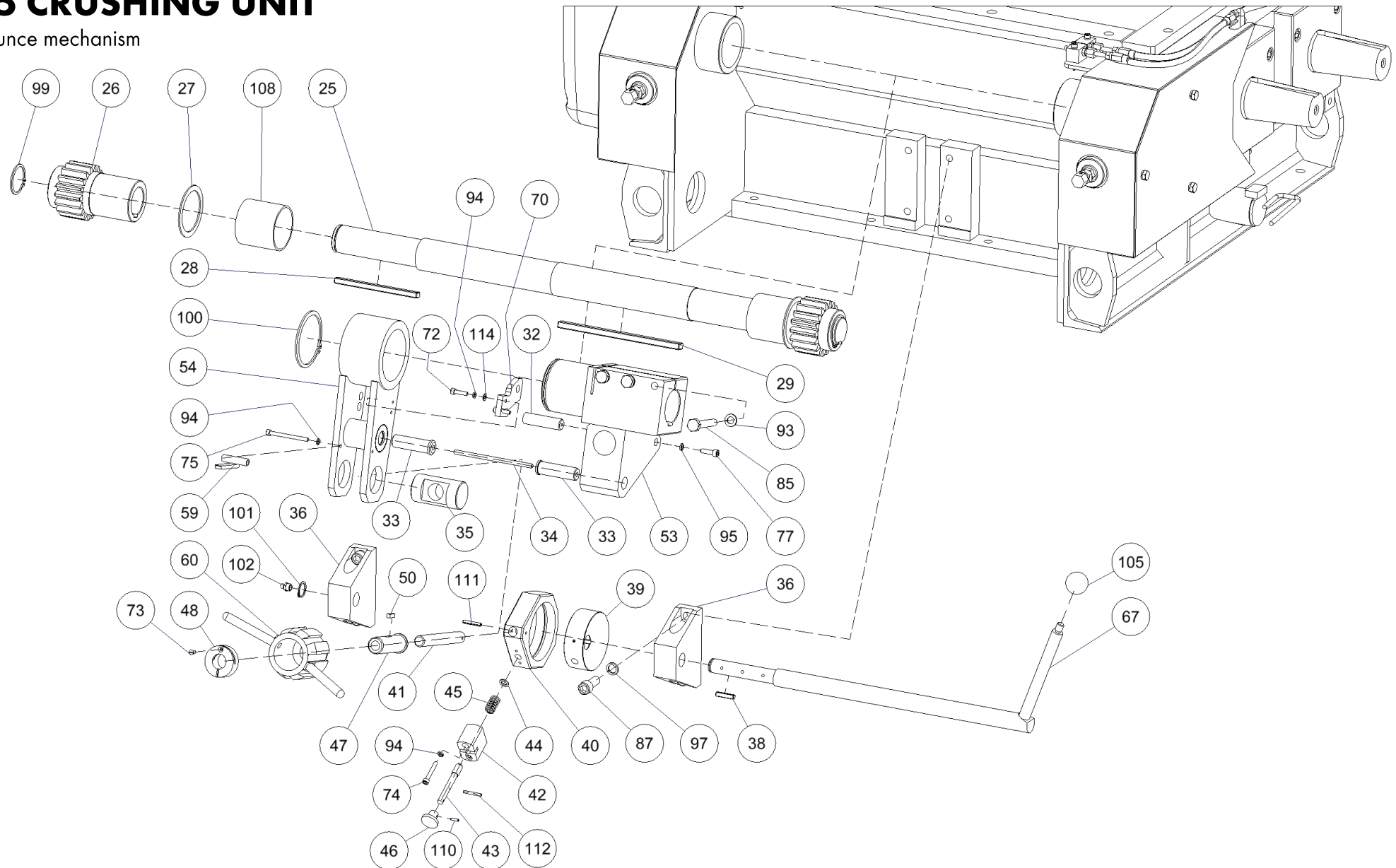
05 CRUSHING UNIT - bounce mechanism

POSITION	PART NAME	EVIDENCE NUMBER	PRICE/1pc	PIECES	NOTE
25	Shaft	107 00 00 22_0		1	
26	Pinion gear	107 00 00 23_0		2	
27	Distance ring	107 00 00 24_0		2	
28	Shaft groove	107 00 00 25_0		2	
29	Shaft groove	107 00 00 26_0		1	
32	Pin	107 00 00 29_0		1	
33	Housing (bushing guide)	107 00 00 30_0		2	
34	Lock (shear pin)	107 00 00 31_0		1	
35	Pivot	107 00 00 32_0		1	
36	Console	107 00 00 33_1		2	
38	Shaft groove	107 00 00 35_0		1	
39	Eccentr	107 00 00 36_0		1	
40	Eye	107 00 00 37_0		1	
41	Screw	107 00 00 38_0		1	
42	Cube	107 00 00 39_0		1	
43	Latch	107 00 00 40_0		1	
44	Washer	107 00 00 41_0		1	
45	Pressing spring	107 00 00 42_0		1	
46	Button	107 00 00 43_0		1	
47	Housing (bushing guide)	107 00 00 44_0		1	
48	Nut	107 00 00 45_0		1	
50	Shaft groove	107 00 00 54_0		1	
53	Carrier	107 00 02 00_1		1	
54	Lever	107 00 17 00_0		1	
59	Latch	107 00 14 00_0		1	
60	Setting screw	107 00 16 00_0		1	
67	Bounce lever	107 00 15 00_0		1	
70	Sensor holder	107 00 00 51_0		1	
72	Screw imbus M5x20 - 8.8 - Zn, DIN 912	0030502011		2	
73	Screw M4 x 12 - 8.8 - Zn, DIN 963	0080401211		1	
74	Screw imbus M5x35 - 8.8 - Zn, DIN 912	0030503511		6	

CP1 little

05 CRUSHING UNIT

bounce mechanism



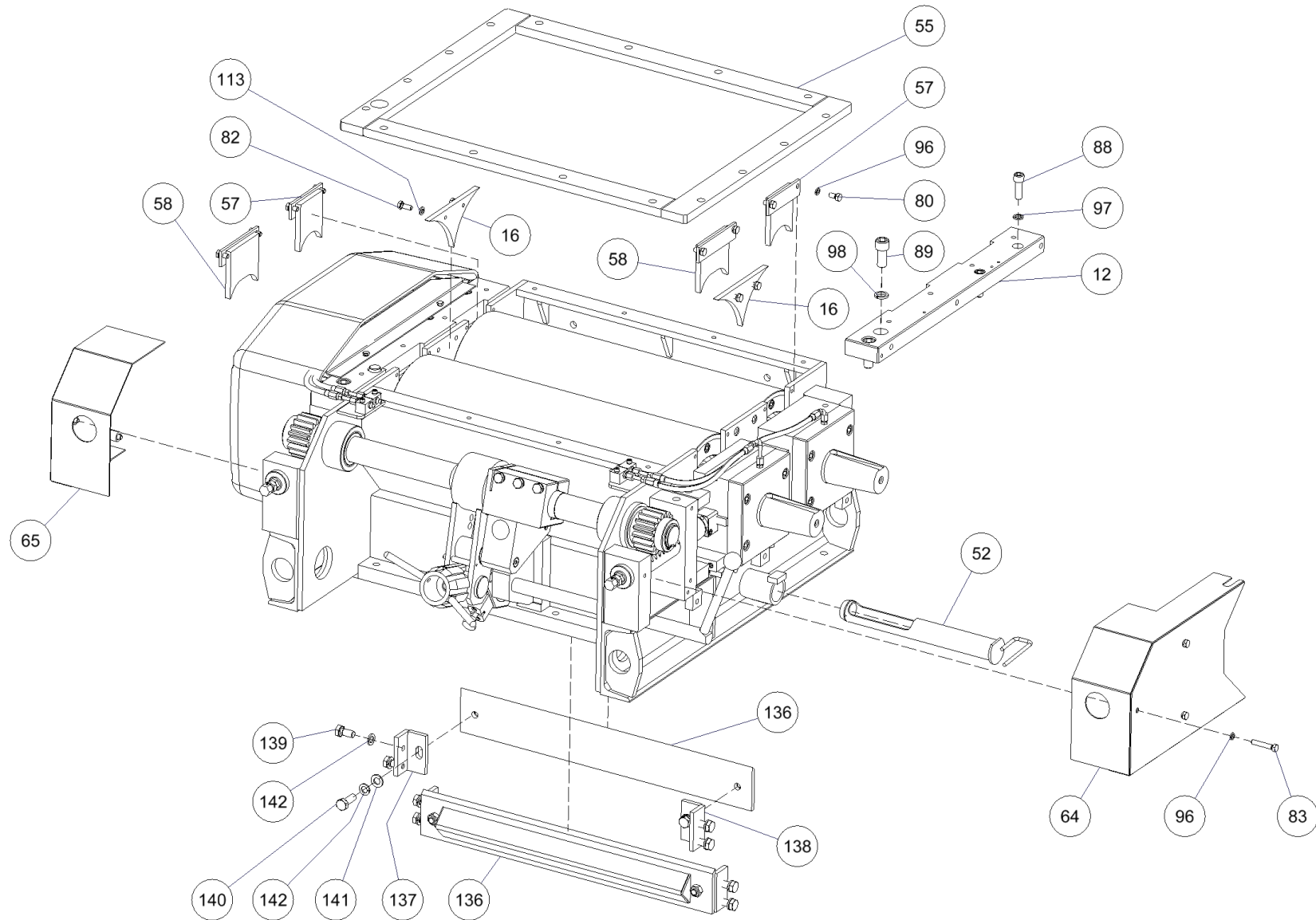
CP1 little

05 CRUSHING UNIT - bounce mechanism

POSITION	PART NAME	EVIDENCE NUMBER	PRICE/1pc	PIECES	NOTE
75	Screw imbus M5x60 - 8.8 - Zn, DIN 912	0030506011		1	
77	Screw imbus M6x20 - 8.8 - Zn, DIN 912	0030602011		3	
85	Screw M10x65 - 8.8 - Zn, DIN 933	0021006511		3	
87	Screw imbus M12x30 - 8.8 - Zn, DIN 912	0031203011		4	
93	Flexible washer 10 - Zn, DIN 127	2581000001		7	
94	Flexible washer for imbus 5 - Zn, DIN 7980	2600500001		9	
95	Flexible washer for imbus 6 - Zn, DIN 7980	2600600001		9	
97	Flexible washer for imbus 12 - Zn, DIN 7980	2601200001		24	
99	Locking ring	900508		2	
100	Locking ring	900511		1	
101	Locking ring	900499		1	
102	Nipple	900375		5	
105	Ball	900285		1	
108	Roll bent housing	900889		2	
110	Flexible pin	900559		1	
111	Flexible pin	900558		1	
112	Flexible pin	900560		1	
114	Washer 5,3 - Zn, DIN 125	2500500001		2	

CP1 little 05 CRUSHING UNIT

case



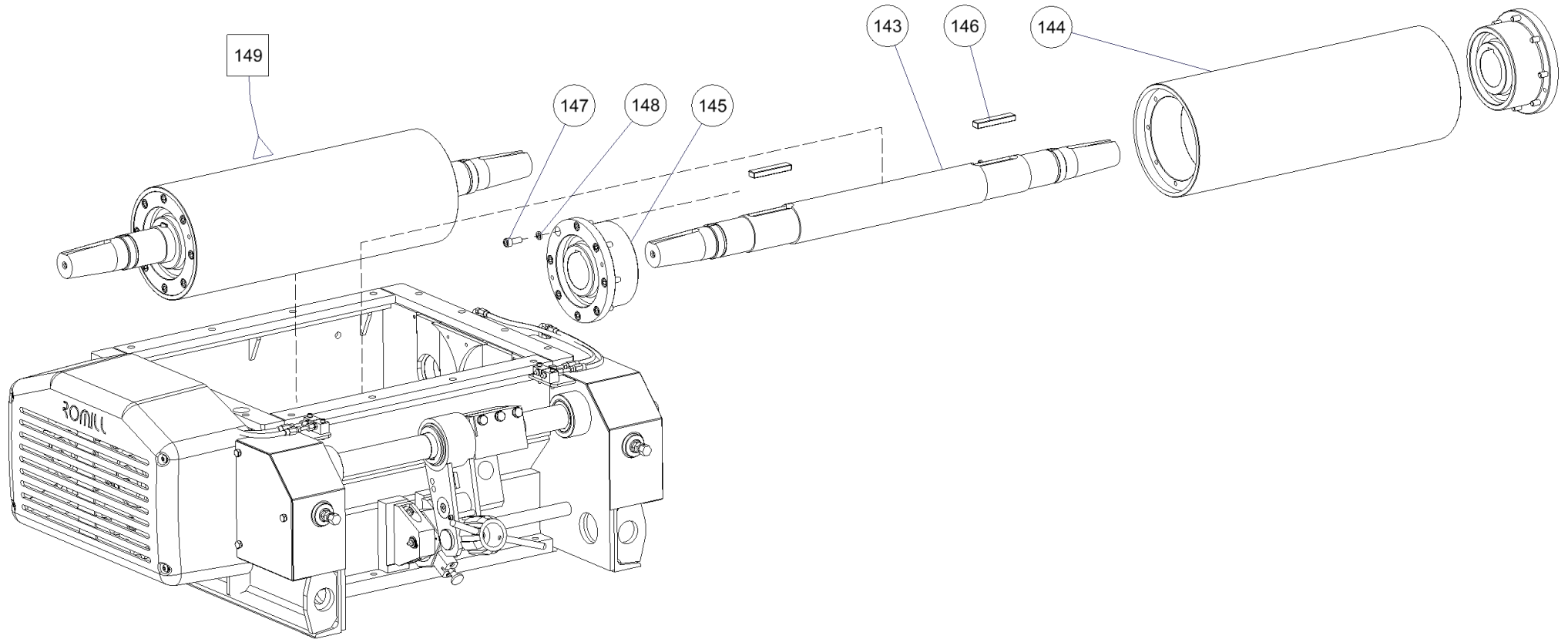
CP1 little

05 CRUSHING UNIT - case

POSITION	PART NAME	EVIDENCE NUMBER	PRICE/1pc	PIECES	NOTE
12	Ledge	107 00 00 09_0		1	
16	Insertion	107 00 00 13_0		2	
52	Removable sensor	107 00 01 00_0		1	
55	Frame	107 00 06 00_0		1	
57	Insertion	107 00 12 00_0		2	
58	Insertion	107 00 13 00_0		2	
64	Cover	107 12 01 00_0		1	
65	Cover	107 12 02 00_0		1	
80	Screw M8x16 - 8.8 - Zn, DIN 933	0020801611		8	
82	Screw M8x20 - 8.8 - Zn, DIN 933	0020802011		4	
83	Screw M8x45 - 8.8 - Zn, DIN 933	0020804511		6	
88	Screw imbus M12x35 - 8.8 - Zn, DIN 912	0031203511		20	
89	Screw imbus M16x35 - 8.8 - Zn, DIN 912	0031603511		4	
96	Flexible washer for imbus 8 - Zn, DIN 7980	2600800001		34	
97	Flexible washer for imbus 12 - Zn, DIN 7980	2601200001		24	
98	Flexible washer for imbus 16 - Zn, DIN 7980	2601600001		8	
113	Flexible washer 8 - Zn, DIN 127	2580800001		4	
138	Ledge angle bar	107 00 11 00_1		1	
139	Screw M12x25 - 8.8 - Zn, DIN 933	0021202511		4	
140	Screw M12x35 - 8.8 - Zn, DIN 933	0021203511		2	
141	Washer 13 - Zn, DIN 125	2501300001		2	
142	Flexible washer 12 - Zn, DIN 127	2581200001		6	

CP1 little 05 CRUSHING UNIT

rollers



CP1 little

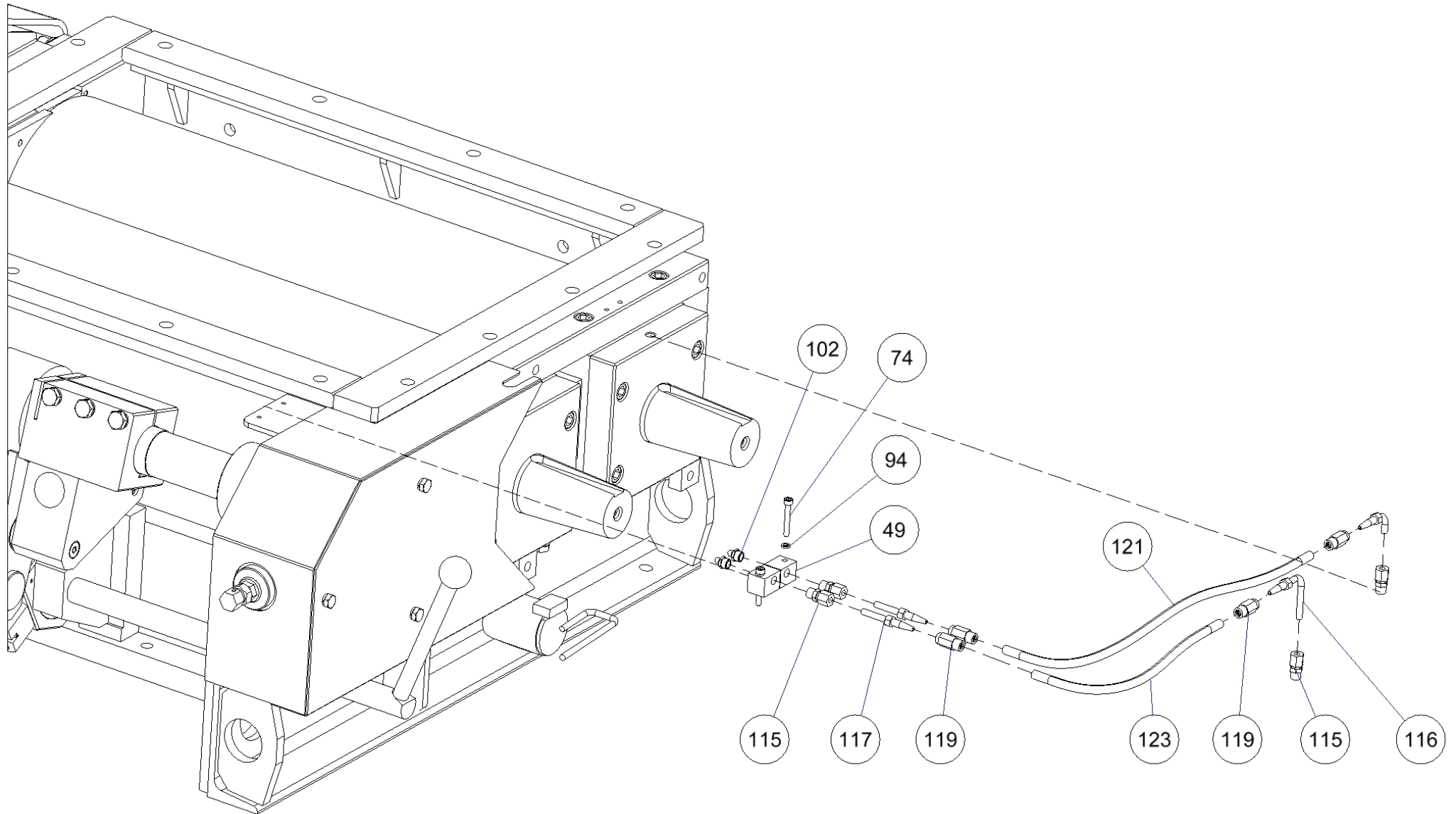
05 CRUSHING UNIT - rollers

POSITION	PART NAME	EVIDENCE NUMBER	PRICE/1pc	PIECES	NOTE
143	Shaft	022 05 01 01_0		2	
144	Crushing roller shell: 2 DR/cm - nitrided	022 05 01 03_0/2			
	Crushing roller shell: 3 DR/cm - nitrided	022 05 01 03_0/3			
	Crushing roller shell: 4 DR/cm - nitrided	022 05 01 03_0/4			
	Crushing roller shell: 5,5 DR/cm - nitrided	022 05 01 03_0/5,5			
	Crushing roller shell: 2 DR/cm - titan	022 05 01 03_0/2 TI			
	Crushing roller shell: 3 DR/cm - titan	022 05 01 03_0/3 TI			
	Crushing roller shell: 4 DR/cm - titan	022 05 01 03_0/4 TI			
	Crushing roller shell: 5,5 DR/cm - titan	022 05 01 03_0/5,5 TI			
145	Hub (centering)	107 05 01 02_0		4	
146	Shaft groove	107 05 01 04_0		4	
147	Screw imbus M10x25 - 8.8 - Zn, DIN 912	0031002511		32	
148	Flexible washer for imbus 10 - Zn, DIN 7980	2601000001		32	
149	Crushing roller complete: 2 DR/cm - nitrided	022 05 01 00/2		2	
	Crushing roller complete: 3 DR/cm - nitrided	022 05 01 00/3			
	Crushing roller complete: 4 DR/cm - nitrided	022 05 01 00/4			
	Crushing roller complete: 5,5 DR/cm - nitrided	022 05 01 00/5,5			
	Crushing roller complete: 2 DR/cm - titan	022 05 01 00/2 TI			
	Crushing roller complete: 3 DR/cm - titan	022 05 01 00/3 TI			
	Crushing roller complete: 4 DR/cm - titan	022 05 01 00/4 TI			
	Crushing roller complete: 5,5 DR/cm - titan	022 05 01 00/5,5 TI			

CP1 little

05 CRUSHING UNIT

lubrication



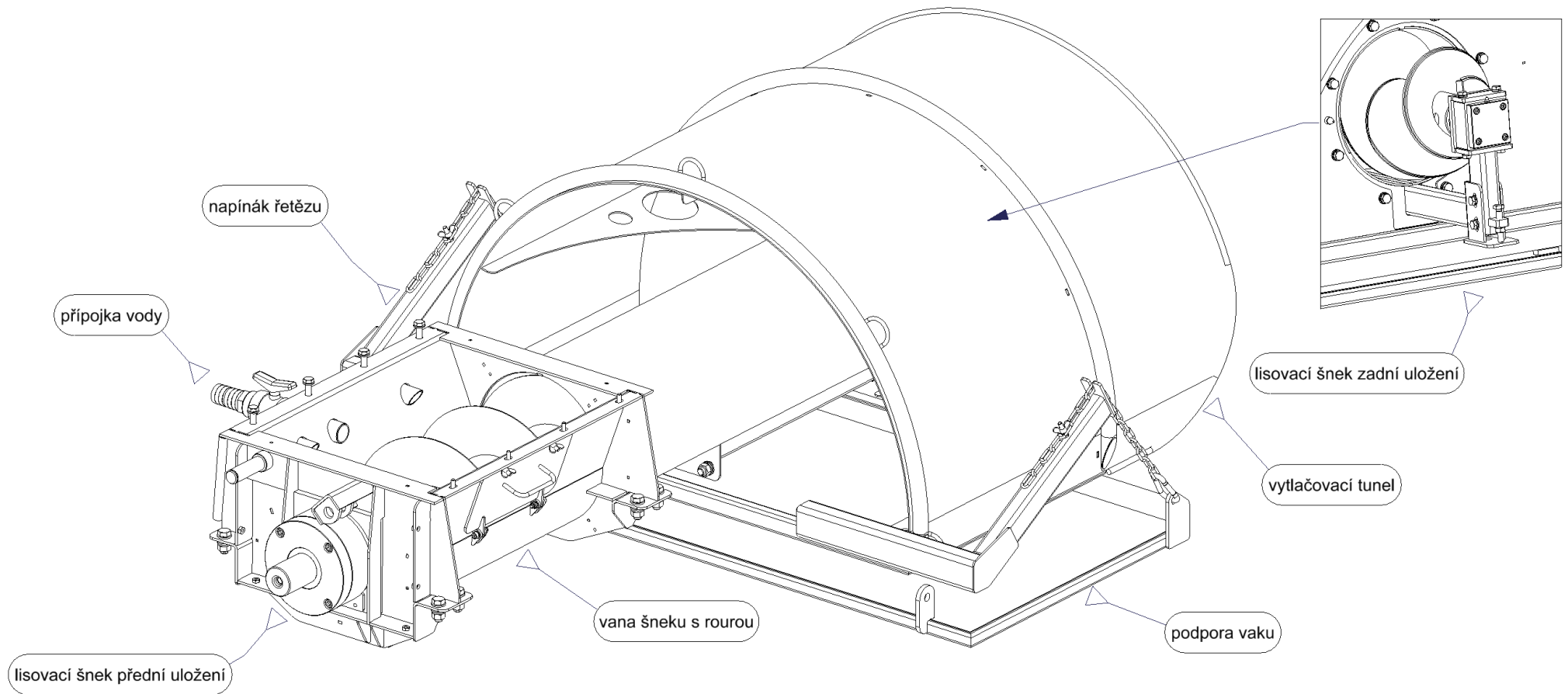
CP1 little

05 CRUSHING UNIT - lubrication

POSITION	PART NAME	EVIDENCE NUMBER	PRICE/1pc	PIECES	NOTE
49	Lubrication cube	107 00 00 52_1		4	
74	Screw imbus M5x35 - 8.8 - Zn, DIN 912	0030503511		6	
94	Flexible washer for imbus 5 - Zn, DIN 7980	2600500001		9	
102	Nipple	900375		5	
115	Direct screwing	900595		8	
116	Screwing	900713		2	
117	Screwing	900715		4	
119	Sleeve	900414		8	
121	Hose	900182		1	
123	Hose	900181		1	

CP1 little

06 EXTRUSION MECHANISM



CP1 little

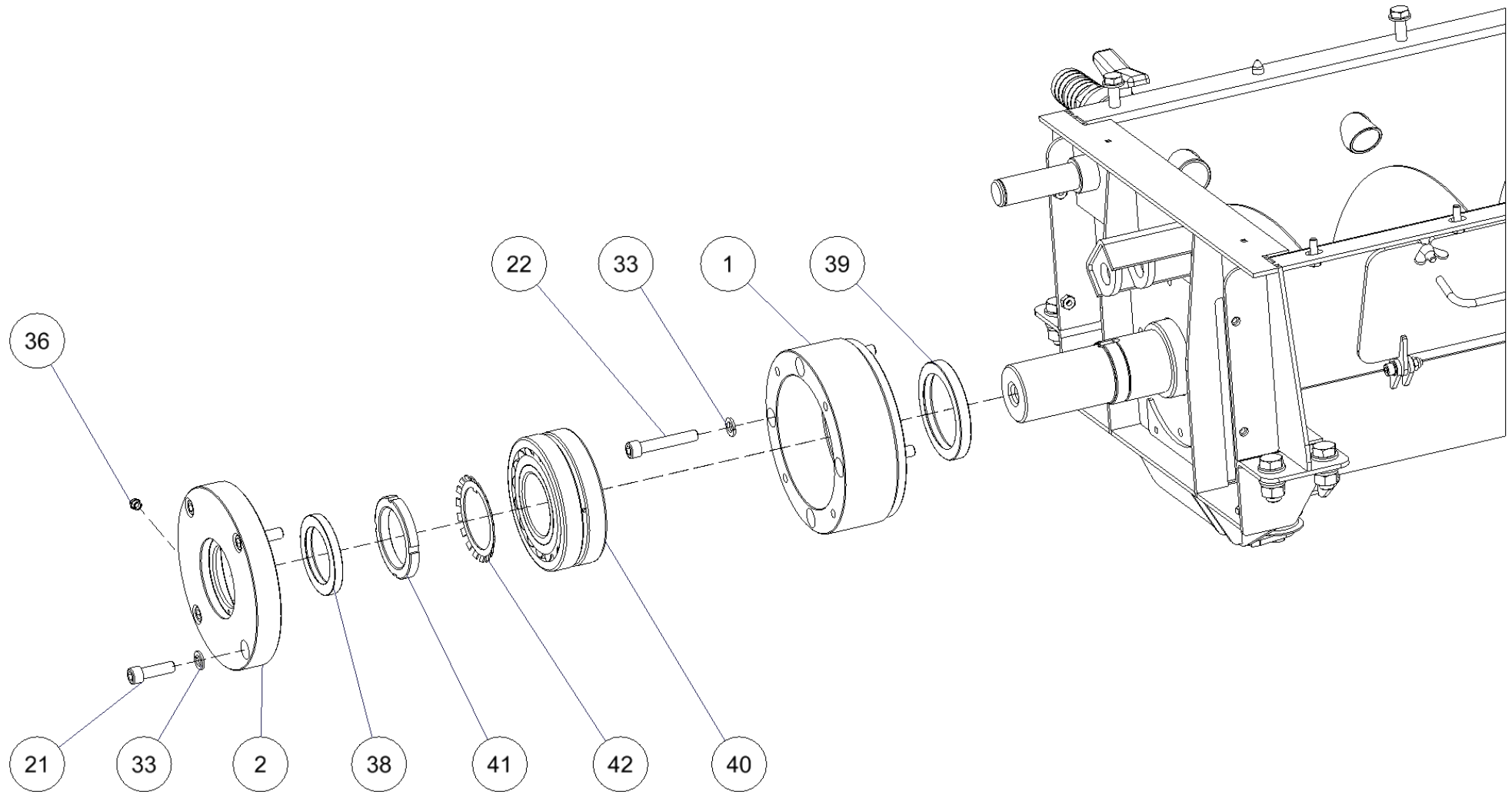
06 EXTRUSION MECHANISM

POSITION	PART NAME	EVIDENCE NUMBER	PRICE/1pc	PIECES	NOTE
	Extrusion mechanism with support	182 06 10 00_1		1	

CP1 little

06 EXTRUSION MECHANISM

front deposition



CP1 little

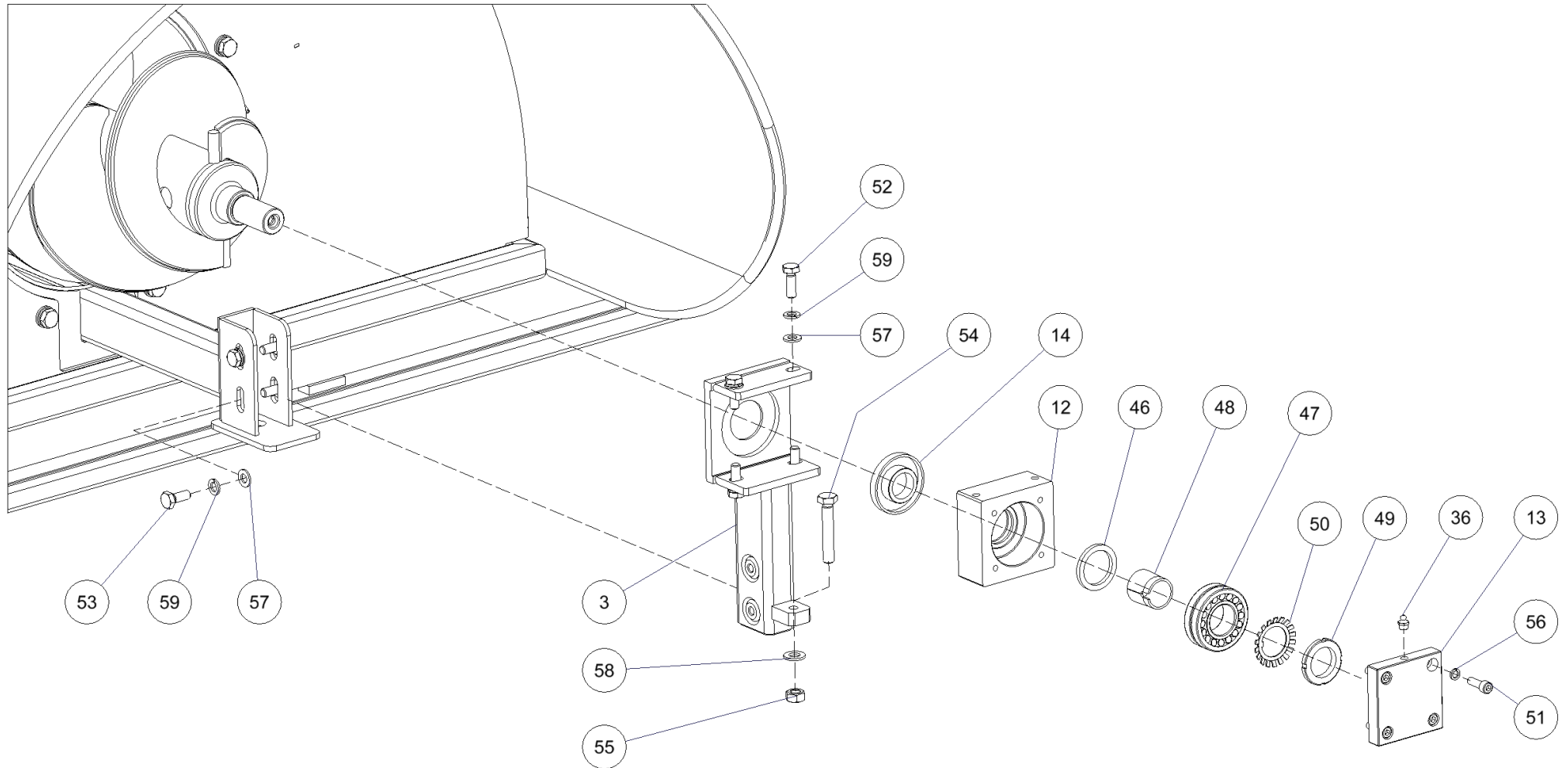
06 EXTRUSION MECHANISM - front deposition

POSITION	PART NAME	EVIDENCE NUMBER	PRICE/1pc	PIECES	NOTE
1	Bearing housing	117 06 00 01_0		1	
2	Cover lid	117 06 00 02_0		1	
21	Screw imbus M12x40 - 8.8 - Zn, DIN 912	0031204011		4	
22	Screw imbus M12x70 - 8.8 - Zn, DIN 912	0031207011		4	
33	Flexible washer 12 - Zn, DIN 127	2581200001		20	
36	Nipple	900375		2	
38	Gufero	900113		1	
39	Gufero	900114		1	
40	Bearing	900351		1	
41	Nut KM14 - Zn, DIN 981	2171400011		1	
42	Security washer MB14 - Zn	2671400001		1	

CP1 little

06 EXTRUSION MECHANISM

rear deposition



CP1 little

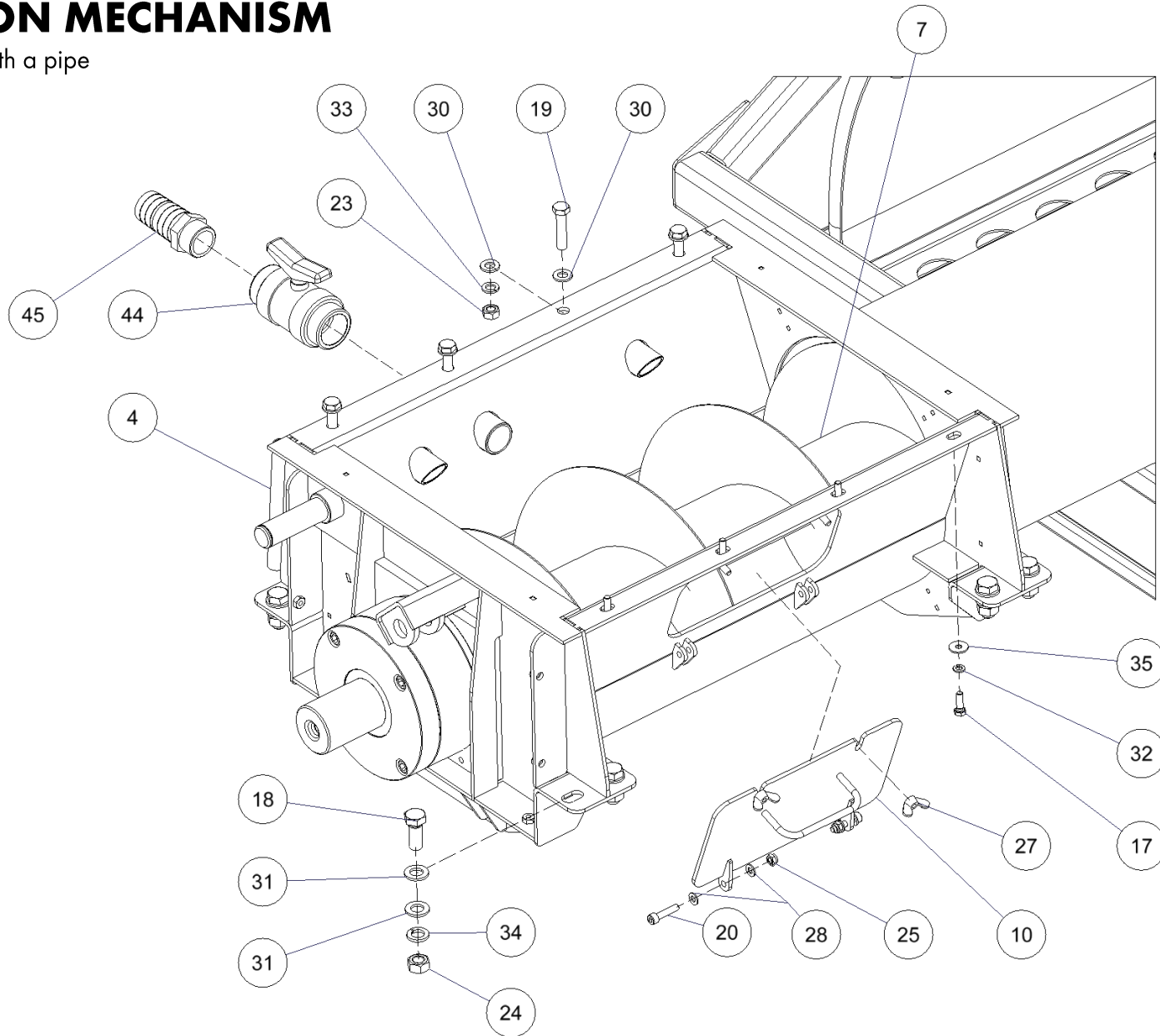
06 EXTRUSION MECHANISM - rear deposition

POSITION	PART NAME	EVIDENCE NUMBER	PRICE/1pc	PIECES	NOTE
3	Rear bearing holder	200 06 14 00_0		1	
12	Bearing housing - rear	200 06 10 01_1		1	
13	Housing lid - rear	200 06 10 02_0		1	
14	Labyrinth ring	200 06 10 03_0		1	
36	Nipple	900375		2	
46	Felt ring	900292		1	
47	Bearing	900348		1	
48	Conical housing	900926		1	
49	Nut KM7 - Zn, DIN 981	2170700011		1	
50	Security washer MB7 - Zn	2670700001		1	
51	Screw imbus M8x25 - 8.8 - Zn, DIN 912	0030802511		4	
52	Screw M10x30 - 8.8 - Zn, DIN 933	0021003011		4	
53	Screw M10x25 - 8.8 - Zn, DIN 933	0021002511		4	
54	Screw M12x70 - 8.8 - Zn, DIN 933	0021207011		1	
55	Nut M12 - 8 - Zn, DIN 934	2001200011		1	
56	Flexible washer for imbus 8 - Zn, DIN 7980	2600800001		4	
57	Washer 10,5 - Zn, DIN 125	2501000001		8	
59	Flexible washer 10 - Zn, DIN 127	2581000001		8	

CP1 little

06 EXTRUSION MECHANISM

auger tub, connection with a pipe



CP1 little

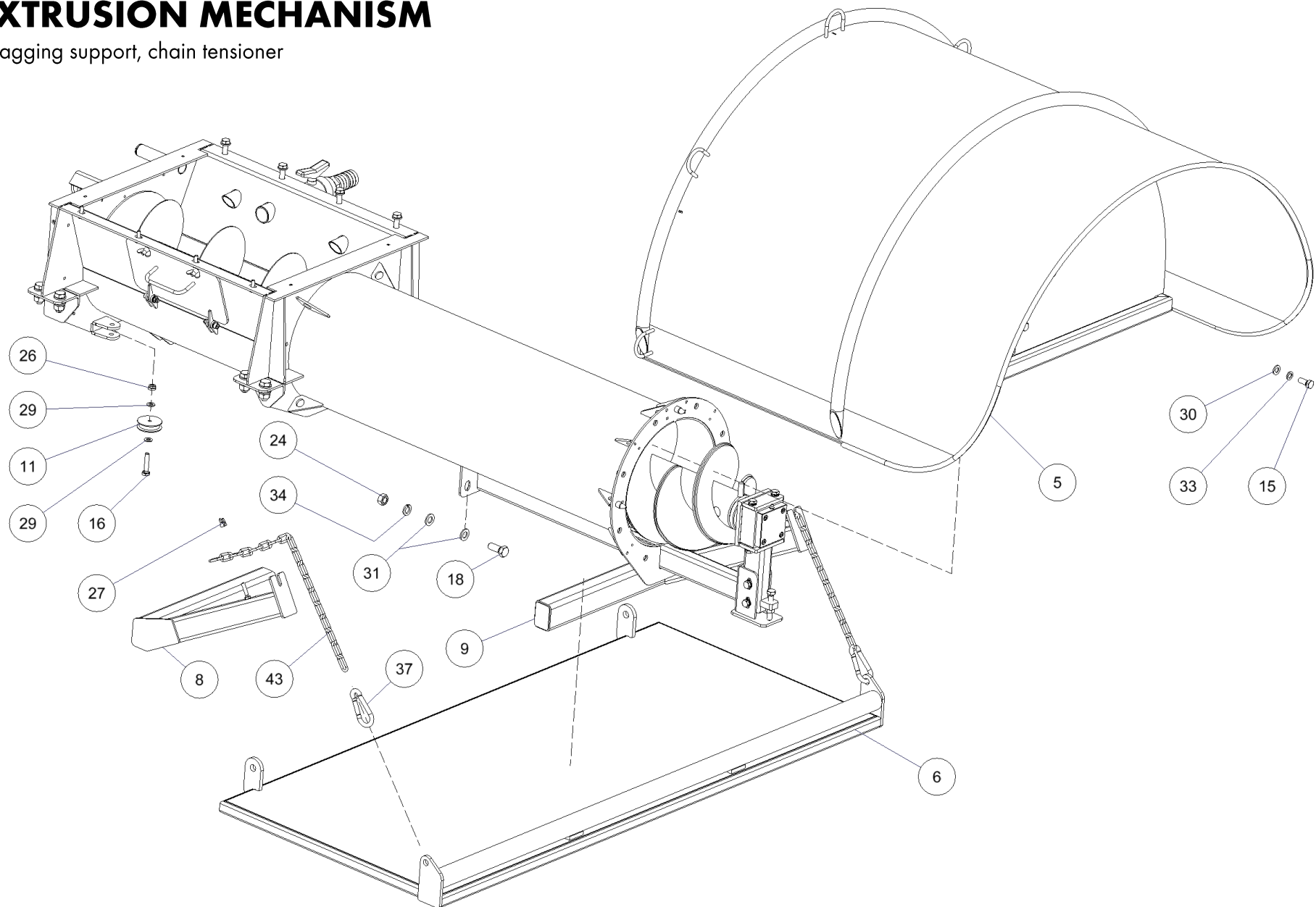
06 EXTRUSION MECHANISM - auger tub, connection with a pipe

POSITION	PART NAME	EVIDENCE NUMBER	PRICE/1pc	PIECES	NOTE
4	Tub with pipe	200 06 11 00_0		1	
7	Pressing auger	200 06 12 00_2		1	
10	Case door	117 06 09 00_0		1	
17	Screw M8x25 - 8.8 - Zn, DIN 933	0020802511		4	
18	Screw M16x40 - 8.8 - Zn, DIN 933	0021604011		10	
19	Screw M12x55 - 8.8 - Zn, DIN 931	0011205511		4	
20	Screw imbus M8x35 - 8.8 - Zn, DIN 912	0030803511		2	
23	Nut M12 - 8 - Zn, DIN 934	2001200011		4	
24	Nut M16 - 8 - Zn, DIN 934	2001600011		10	
25	Self-locking Nut M8 - Zn, DIN 985	2110800011		2	
27	Nut M8 - Zn, DIN 315	2020600011		4	
28	Washer 8,4 - Zn, DIN 125	2500800001		4	
30	Washer 13 - Zn, DIN 125	2501300001		16	
31	Washer 17 - Zn, DIN 125	2501700001		20	
32	Flexible washer 8 - Zn, DIN 127	2580800001		4	
33	Flexible washer 12 - Zn, DIN 127	2581200001		20	
34	Flexible washer 16 - Zn, DIN 127	2581600001		10	
35	Big washer 8,4 - Zn	2540800001		4	
44	Ball valve	900320		1	
45	Sleeve	900767		1	

CP1 little

06 EXTRUSION MECHANISM

tunnel, bagging support, chain tensioner



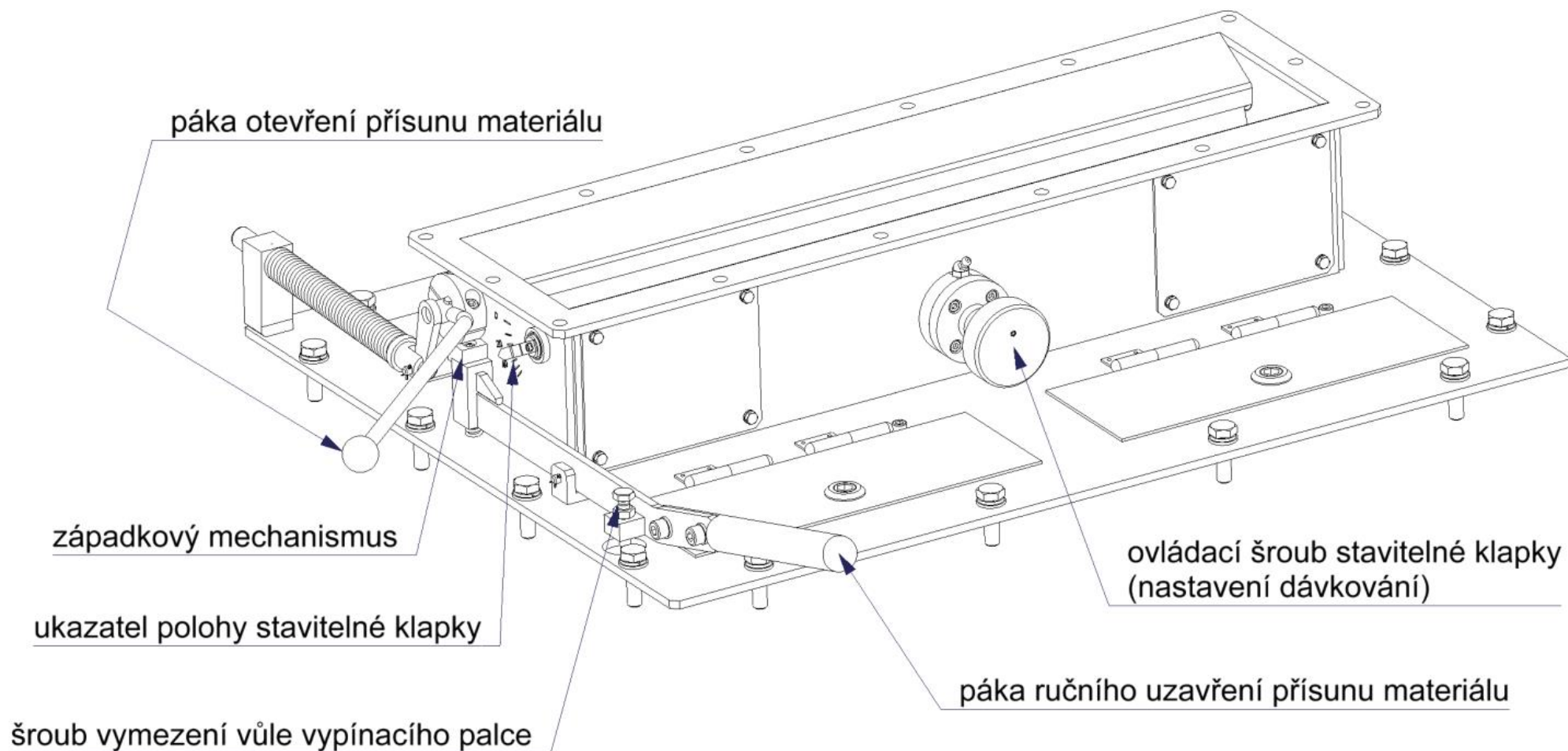
CP1 little

06 EXTRUSION MECHANISM - tunnel, bagging support, chain tensioner

POSITION	PART NAME	EVIDENCE NUMBER	PRICE/1pc	PIECES	NOTE
5	Extrusion tunnel 4'	200 06 16 00_0		1	standard for the machine
	Extrusion tunnel 5'	200 06 13 00_0			
	Extrusion tunnel 6,5'	182 06 13 00_0			
6	Support for the bag 4'	117 06 40 00_0		1	standard for the machine
	Support for the bag 5'	117 06 30 00_0			
	Support for the bag 6,5'	182 06 14 00_0			
8	Chain holder for 4' and 5' - L	117 06 07 00_0		1	standard for the machine
	Chain holder for 6,5' - L	182 06 15 00_0			
9	Chain holder for 4' and 5' - R	117 06 08 00_0		1	
	Chain holder for 6,5' - R	182 06 16 00_0			
11	Pulley	117 01 00 01_0		2	
15	Screw M12x30 - 8.8 - Zn, DIN 933	0021203011		8	
16	Screw M10x50 - 8.8 - Zn, DIN 933	0021005011		2	
18	Screw M16x40 - 8.8 - Zn, DIN 933	0021604011		10	
24	Nut M16 - 8 - Zn, DIN 934	2001600011		10	
26	Self-locking Nut M10 - 8 - Zn, DIN 985	2111000011		2	
27	Nut M8 - Zn, DIN 315	2020600011		4	
29	Washer 10,5 - Zn, DIN 125	2501000001		4	
30	Washer 13 - Zn, DIN 125	2501300001		16	
31	Washer 17 - Zn, DIN 125	2501700001		20	
33	Flexible washer 12 - Zn, DIN 127	2581200001		20	
34	Flexible washer 16 - Zn, DIN 127	2581600001		10	
37	Carabine	900242		2	
43	Chain	900648		2	

CP1 little

07 GRAIN DOSING



CP1 little

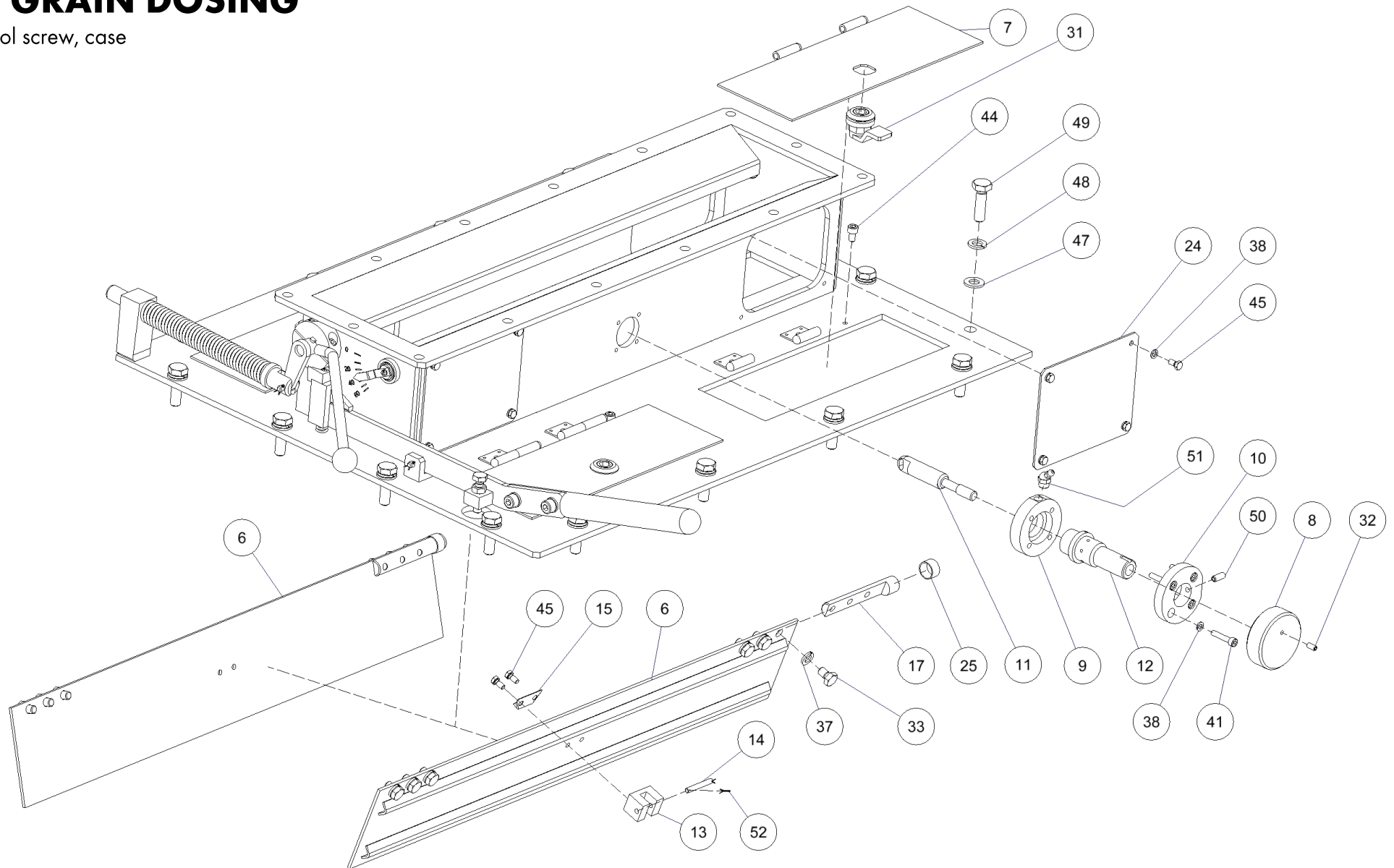
07 GRAIN DOSING

POSITION	PART NAME	EVIDENCE NUMBER	PRICE/1pc	PIECES	NOTE
	grain dosing	090 00 00 00		1	

CP1 little

07 GRAIN DOSING

control screw, case



CP1 little

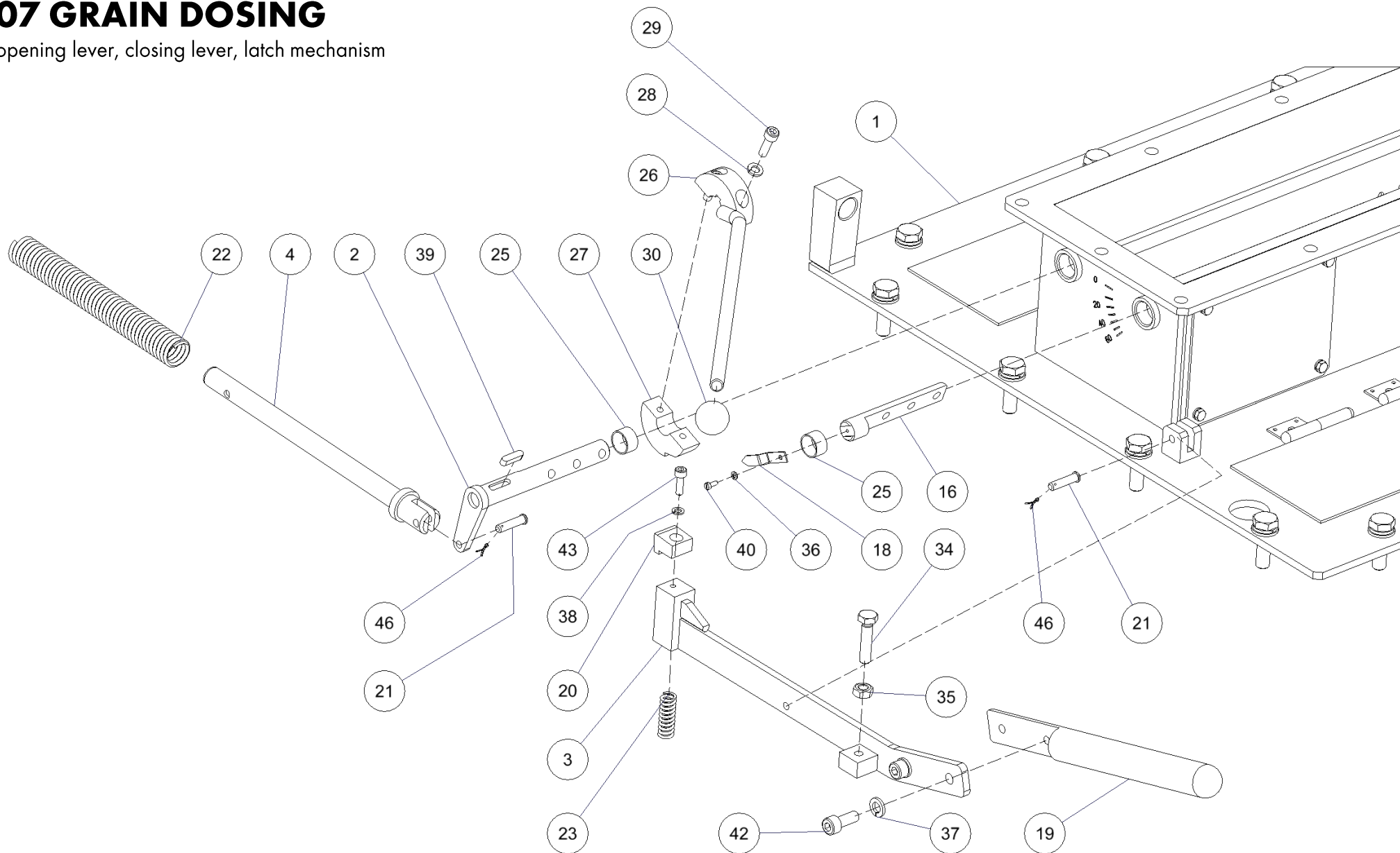
07 GRAIN DOSING - control screw, case

POSITION	PART NAME	EVIDENCE NUMBER	PRICE/1pc	PIECES	NOTE
6	Flap	090 10 06 00			
7	Door	090 12 01 00			
8	Disk	090 10 00 01_0			
9	Flange	090 10 00 02_1			
10	Flange	090 10 00 03_1			
11	Rod	090 10 00 04			
12	Spindle	090 10 00 05_1			
13	Cube flap	090 10 00 06			
14	Pivot	090 10 00 07			
15	Locking washer	090 10 00 08			
17	Pivot of the flap	090 10 00 10			
24	Lid	090 12 00 01_1			
25	Sliding bushing	900258			
31	Lock	900839			
32	Screw M5 x 10 - 8.8 - Zn, DIN 913	0170501011			
33	Screw M8x12 - 8.8 - Zn, DIN 933	0020801211			
37	Flexible washer 8 - Zn, DIN 127	2580800001			
38	Flexible washer 5 - Zn, DIN 127	2580500001			
41	Screw imbus M5x25 - 8.8 - Zn, DIN 912	0030502511			
44	Screw imbus M6x10 - 8.8 - Zn, DIN 912	0030601011			
45	Screw M5x10 - 8.8. - Zn, DIN 933	0020501011			
47	Washer 10,5 - Zn, DIN 125	2501000001			
48	Flexible washer 10 - Zn, DIN 127	2581000001			
49	Screw M10x35 - 8.8 - Zn, DIN 933	0021003511			
50	Flexible pin	900556			
51	Nipple	900375			
52	Split pin	900881			

CP1 little

07 GRAIN DOSING

opening lever, closing lever, latch mechanism



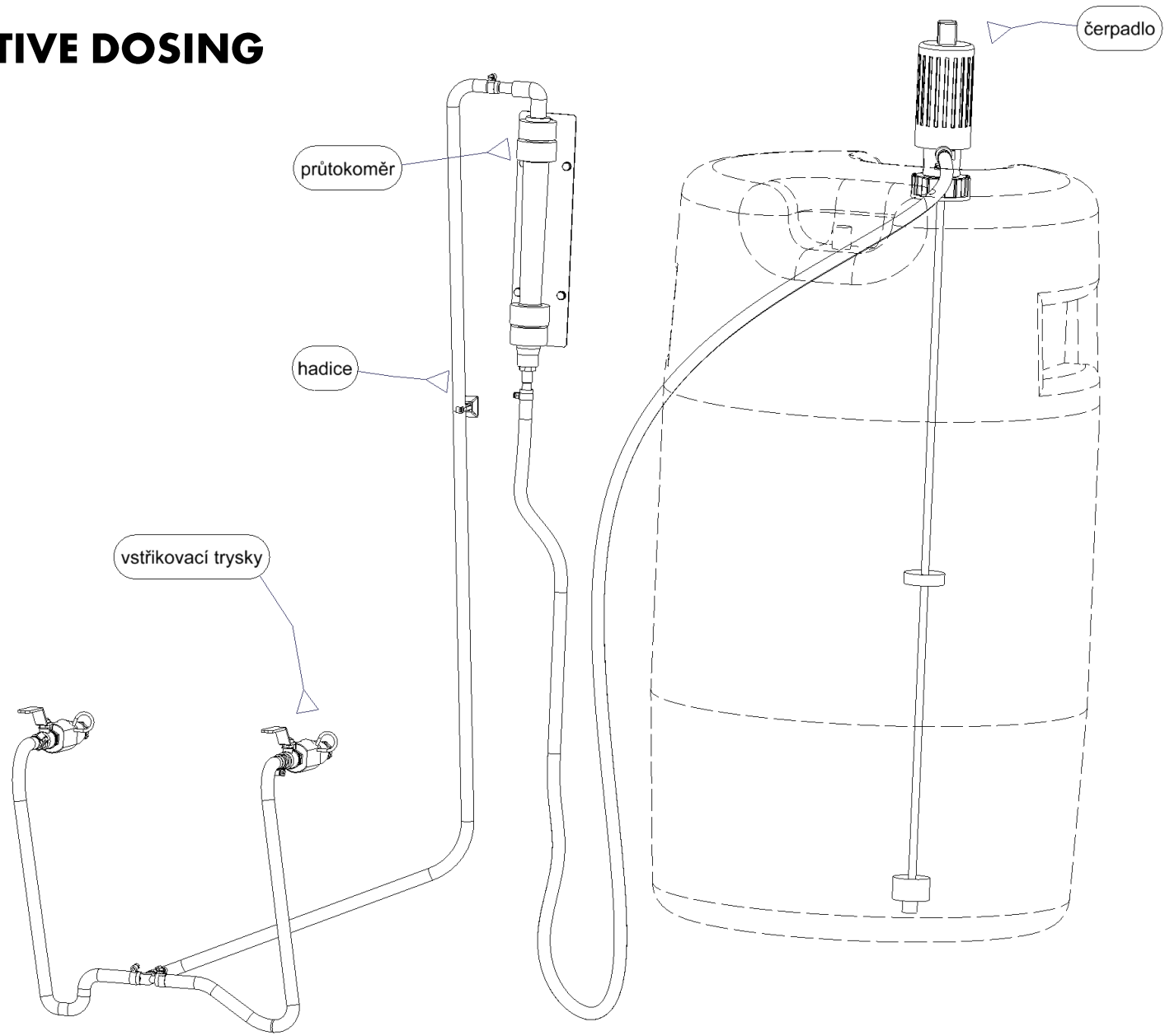
CP1 little

07 GRAIN DOSING - opening lever, closing lever, latch mechanism

POSITION	PART NAME	EVIDENCE NUMBER	PRICE/1pc	PIECES	NOTE
1	Hopper	184 07 01 00_1		1	
2	Pivot	090 10 01 00		1	
3	Arm	090 10 03 00		1	
4	Rod	090 10 04 00		1	
16	Pivot of the flap	090 10 00 09		1	
18	Pointer (directory, index)	090 10 00 11		1	
19	Handle	090 10 00 12		1	
20	Latch	090 10 00 13		1	
21	Arm pivot	090 10 00 14		2	
22	Rod spring	090 10 00 15		1	
23	Latch spring	090 10 00 16		1	
25	Sliding bushing	900258		4	
26	Stirrup with lever	500013		1	
27	Stirrup	090 10 05 02		1	
28	Flexible washer 6 - Zn, DIN 127	2580600001		1	
29	Screw imbus M6x20 - 8.8 - Zn, DIN 912	0030602011		1	
30	Ball	900287		1	
34	Screw M8x50 - 8.8 - Zn, DIN 933	0020805011		1	
35	Nut M8 - 8 - Zn, DIN 934	2000800011		1	
36	Flexible washer 3 - Zn, DIN 127	2580400001		1	
37	Flexible washer 8 - Zn, DIN 127	2580800001		14	
38	Flexible washer 5 - Zn, DIN 127	2580500001		21	
39	Shaft groove	900459		1	
40	Screw M3 x 8 - 8.8 - Zn, DIN 84	0100300811		1	
42	Screw imbus M8x20 - 8.8 - Zn, DIN 912	0030802011		2	
43	Screw imbus M5x16 - 8.8 - Zn, DIN 912	0030501611		1	
46	Split pin	900871		18	

CP1 little

08 PRESERVATIVE DOSING



CP1 little

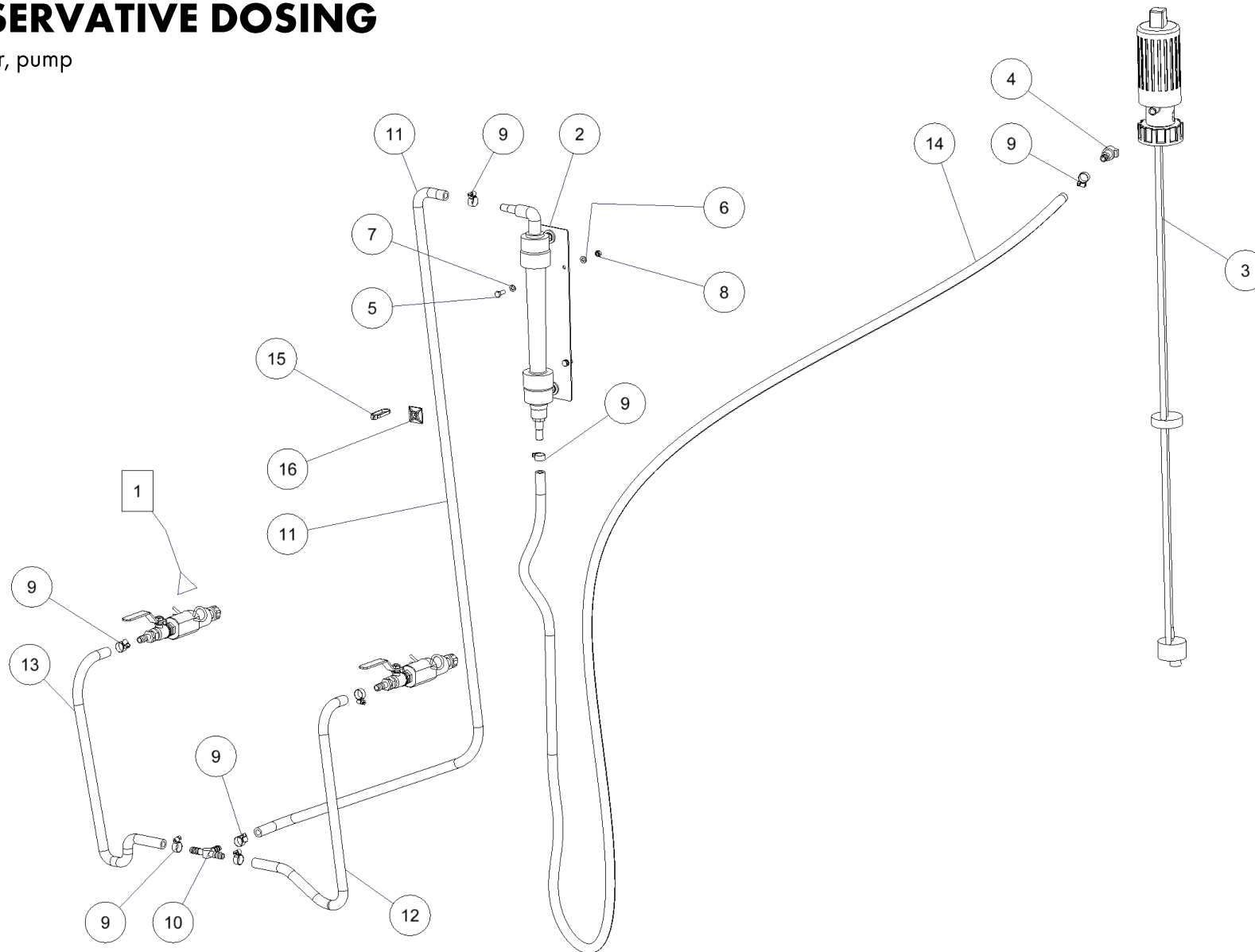
08 PRESERVATIVE DOSING

POSITION	PART NAME	EVIDENCE NUMBER	PRICE/1pc	PIECES	NOTE
	Preservative dosing	182 08 00 00_2		1	

CP1 little

08 PRESERVATIVE DOSING

hose, flowmeter, pump



CP1 little

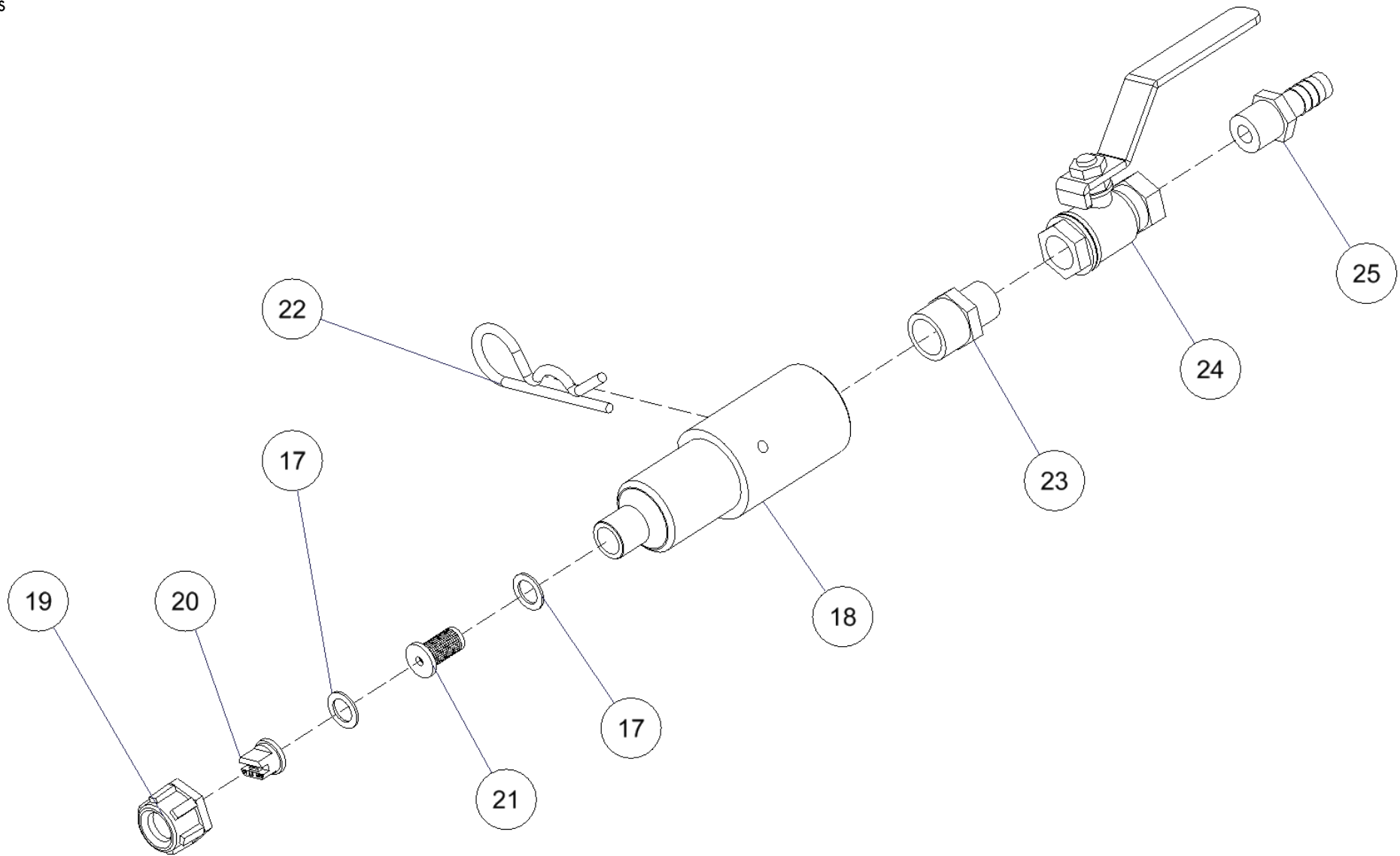
08 PRESERVATIVE DOSING - hose, flowmeter, pump

POSITION	PART NAME	EVIDENCE NUMBER	PRICE/1pc	PIECES	NOTE
1	Complete sprayer	123 08 02 00_0		2	
2	Flowmeter	900544		1	
3	Dosing pump	900027		1	
4	Quick coupler	900639		1	
5	Screw M6x16 - 8.8 - Zn, DIN 933	0020601611		4	
6	Washer 6,4 - Zn, DIN 125	2500600001		4	
7	Flexible washer 6 - Zn, DIN 127	2580600001		4	
8	Nut M6 - 8 - Zn, DIN 934	2000600011		4	
9	Torro S-clip	900742		8	
10	Clutch	900760		1	
11	Hose	900134		1	
12	Hose	900136		1	
13	Hose	900136		1	
14	Hose	900135		1	
15	Strap	900110		12	
16	Strap	900111		8	

CP1 little

08 PRESERVATIVE DOSING

nozzles

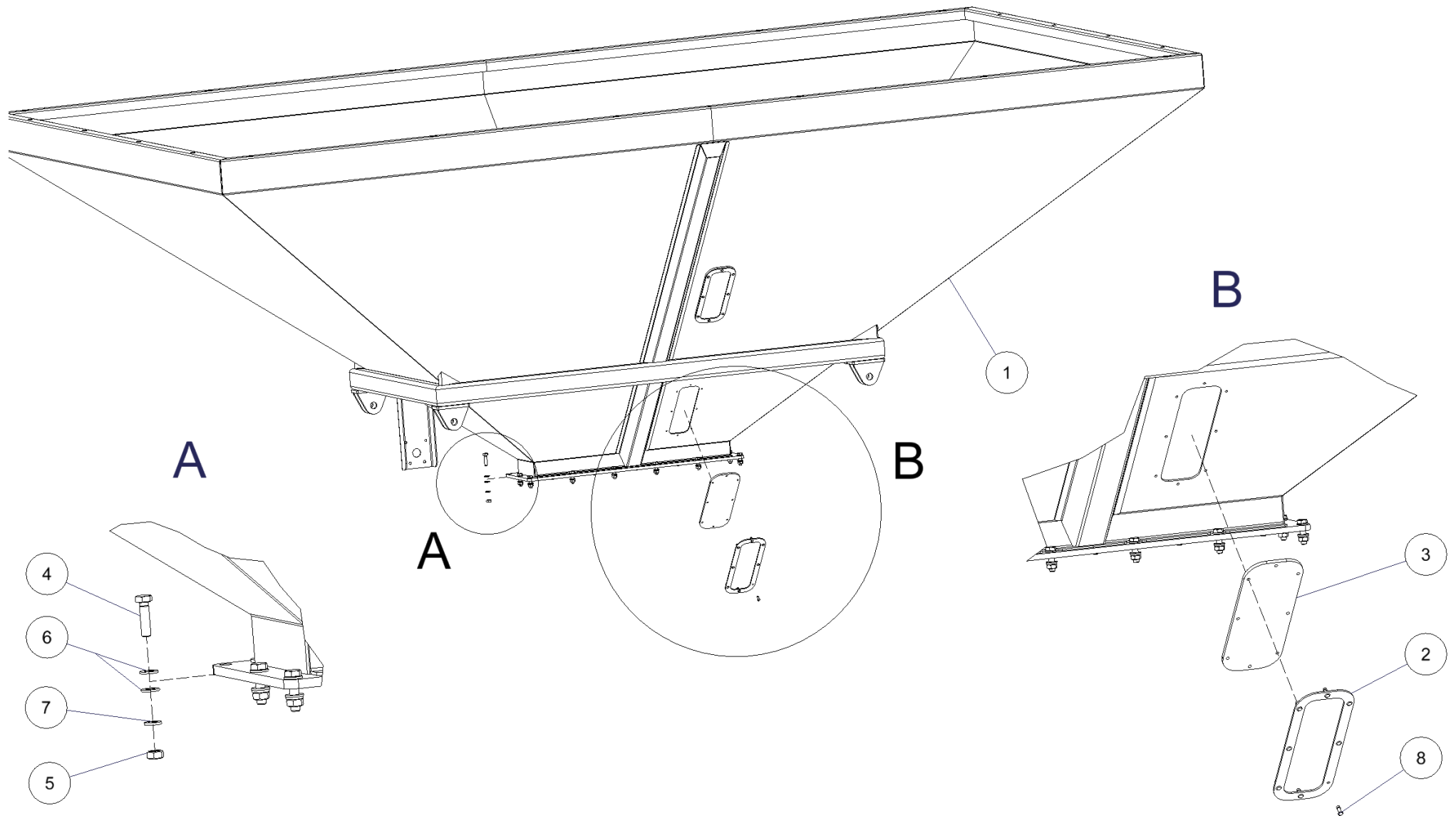


CP1 little

08 PRESERVATIVE DOSING - nozzles

POSITION	PART NAME	EVIDENCE NUMBER	PRICE/1pc	PIECES	NOTE
17	Sealing	123 08 01 01_1		2	
18	Body of the nozzle holder	074 08 00 01_2		1	
19	Nut	900366		1	
20	Nozzle dark blue	900758		1	
	Nozzle brown	900757			
	Nozzle white	900756			
21	Nozzle filter	900108		1	
22	Spring split pin	900553		1	
23	Reduction	900614		1	
24	Ball valve (cock)	900318		1	
25	Hose extension	900214		1	

CP1 little 11 HOPPER

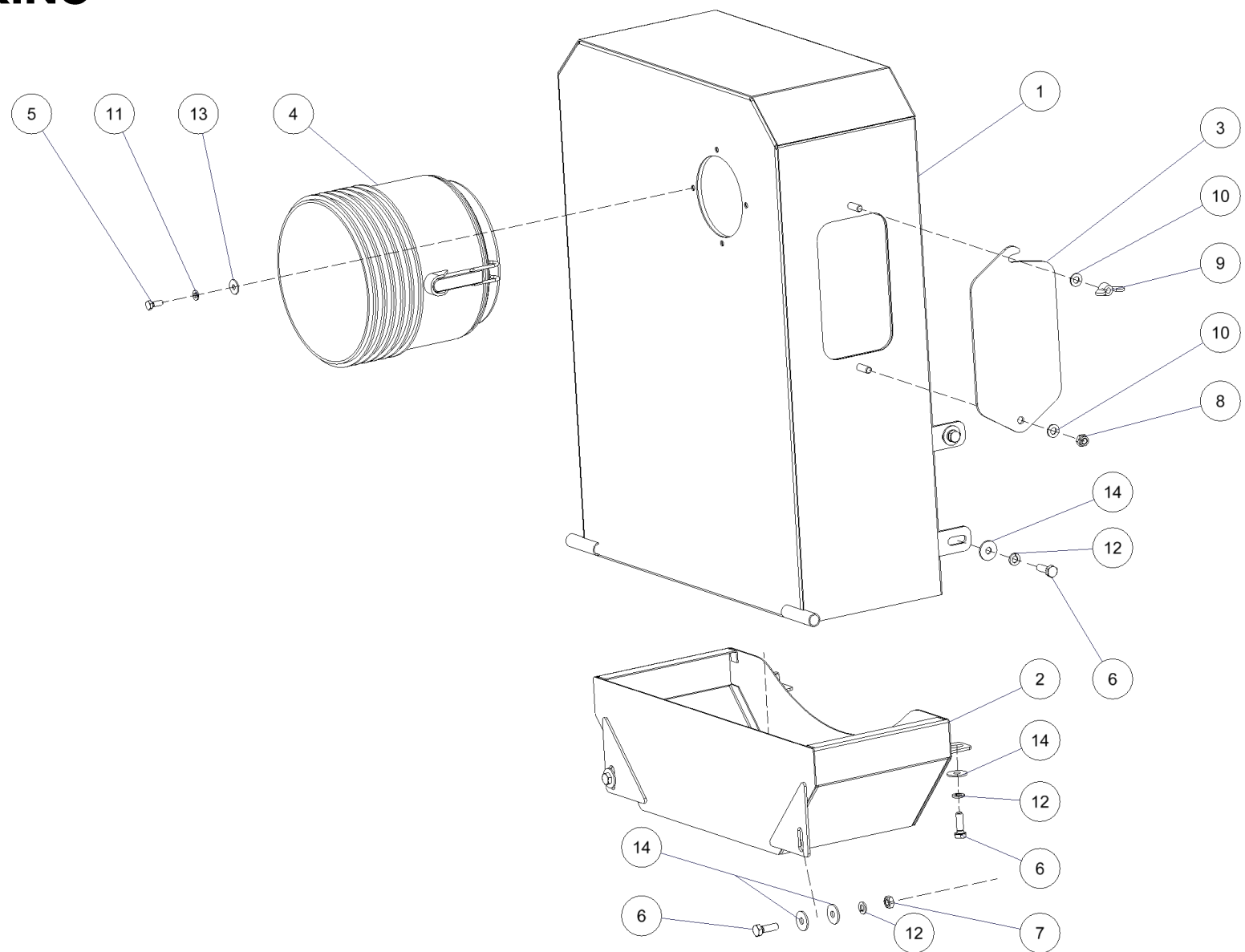


CP1 little

11 HOPPER

POSITION	PART NAME	EVIDENCE NUMBER	PRICE/1pc	PIECES	NOTE
1	Hopper	182 11 01 00_2		1	
2	Frame	000 01 00 01_1		4	
3	Polycarbonate	000 01 00 02_0		4	
4	Screw M8x30 - 8.8 - Zn, DIN 933	0020803011		14	
5	Nut M8 - 8 - Zn, DIN 934	2000800011		14	
6	Washer 8,4 - Zn, DIN 125	2500800001		28	
7	Flexible washer 8 - Zn, DIN 127	2580800001		14	
8	Rivet with a big head	900412		32	

CP1 little 12 COVERING



CP1 little

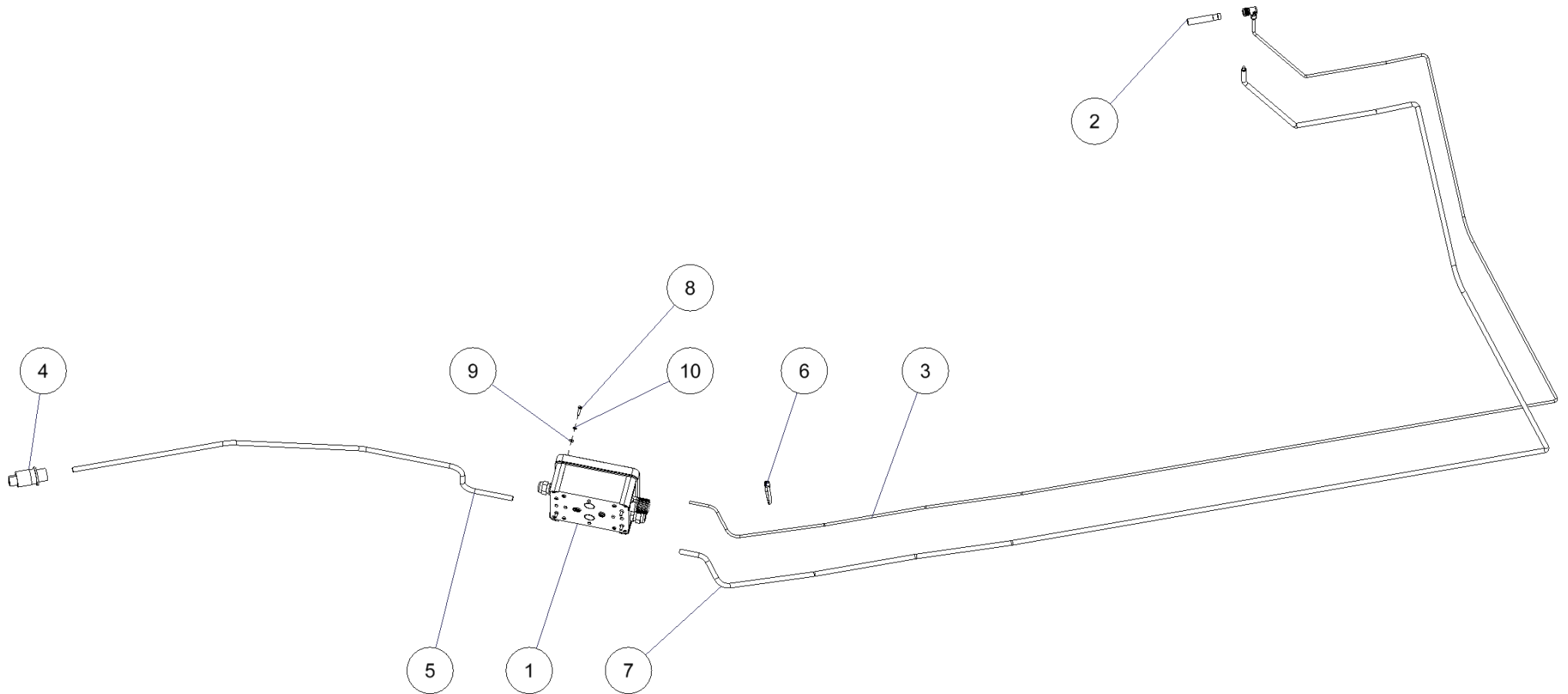
12 COVERING

POSITION	PART NAME	EVIDENCE NUMBER	PRICE/1pc	PIECES	NOTE
1	Chain cover upper	200 12 01 00_0		1	
2	Chain cover lower	200 12 02 00_0		1	
3	Lid	117 12 00 02_0		1	
4	Plastic cover	074 12 00 01_1		1	
5	Screw M6x16 - 8.8 - Zn, DIN 933	0020601611		4	
6	Screw M8x25 - 8.8 - Zn, DIN 933	0020802511		8	
7	Nut M8 - 8 - Zn, DIN 934	2000800011		2	
8	Self-locking Nut M8 - Zn, DIN 985	2110800011		1	
9	Nut M8 - Zn, DIN 315	2020600011		1	
10	Washer 8,4 - Zn, DIN 125	2500800001		2	
11	Flexible washer 6 - Zn, DIN 127	2580600001		4	
12	Flexible washer 8 - Zn, DIN 127	2580800001		8	
13	Big washer 6,4 - Zn	2540600001		4	
14	Big washer 8,4 - Zn	2540800001		10	

CP1 little

13 ELECTROINSTALLATION

operating

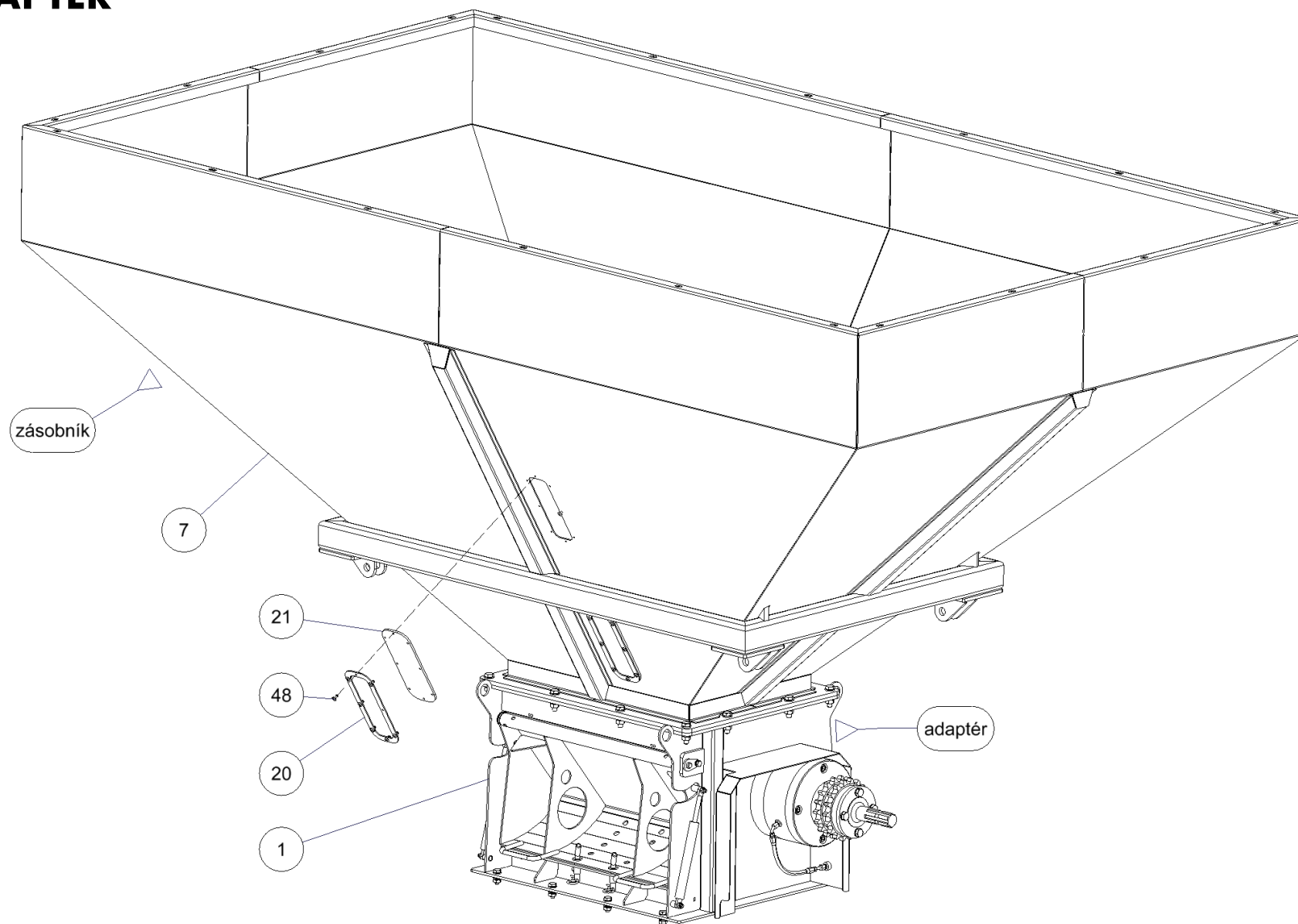


CP1 little

13 ELECTROINSTALLATION - operating

POSITION	PART NAME	EVIDENCE NUMBER	PRICE/1pc	PIECES	NOTE
1	Switch cabinet CP1 Little	000 20 12 00_0		1	
2	Sensor	900025		1	
3	Electric cable	900087		1	
4	Socket 3 - pole	900856		1	
5	Electric cable	900056		1	
6	Strap	900109		1	
7	Protective cable tube	900422		4	
8	Screw M4x16 - 8.8 - Zn, DIN 933	0020401611		4	
9	Washer 4,3 - Zn, DIN 125	2500400001		4	
10	Flexible washer 4 - Zn, DIN 127	2580400001		1	

CP1 little 19 ADAPTER



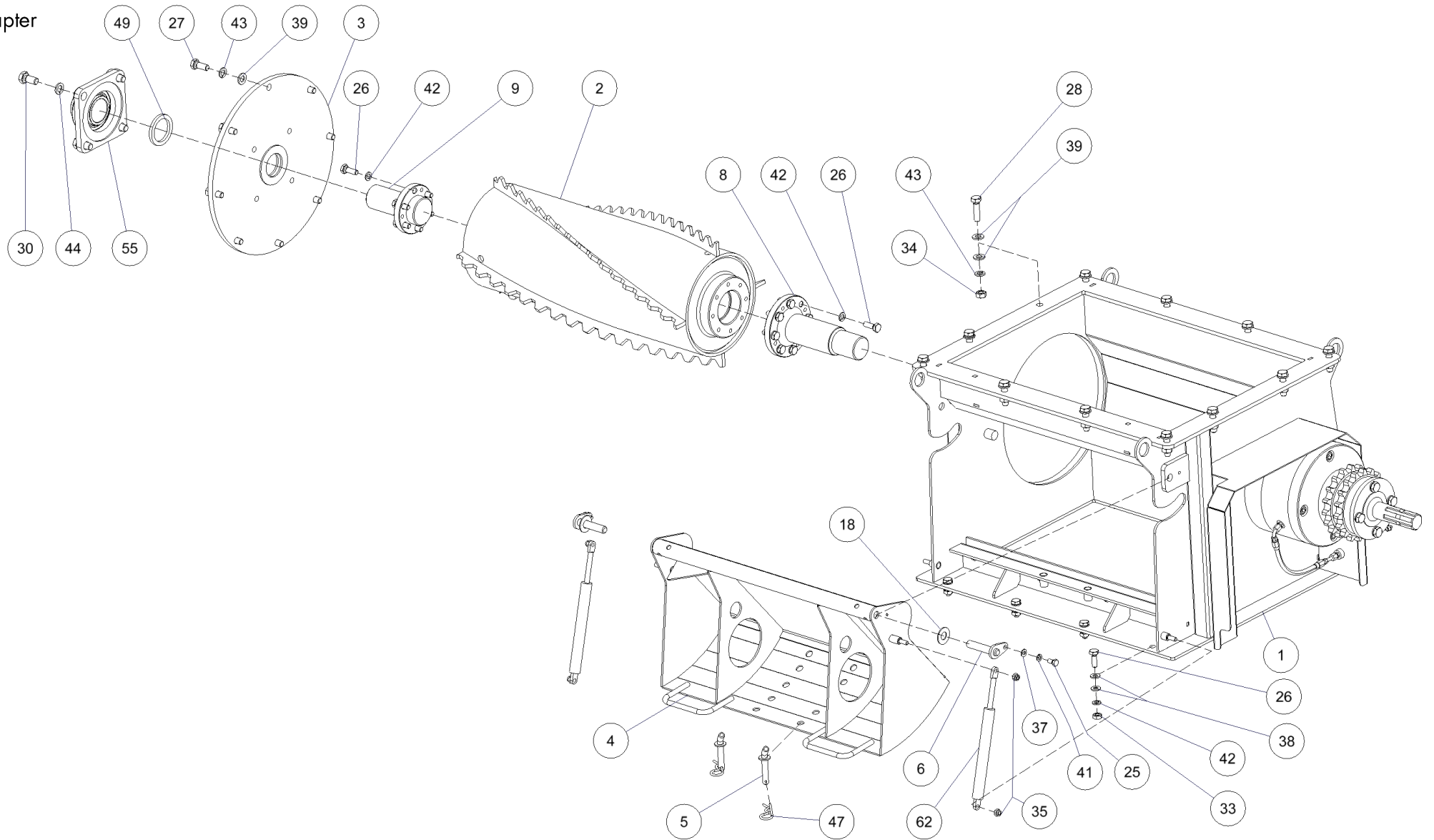
CP1 little

19 ADAPTER

POSITION	PART NAME	EVIDENCE NUMBER	PRICE/1pc	PIECES	NOTE
1	Rotor case	182 19 01 00_0		1	
7	Hopper	182 19 08 00_0		1	
20	Frame	000 01 00 01_1		4	
21	Polycarbonate	000 01 00 02_0		4	
48	Rivet with a big head	900412		32	

CP1 little 19 ADAPTER

adapter



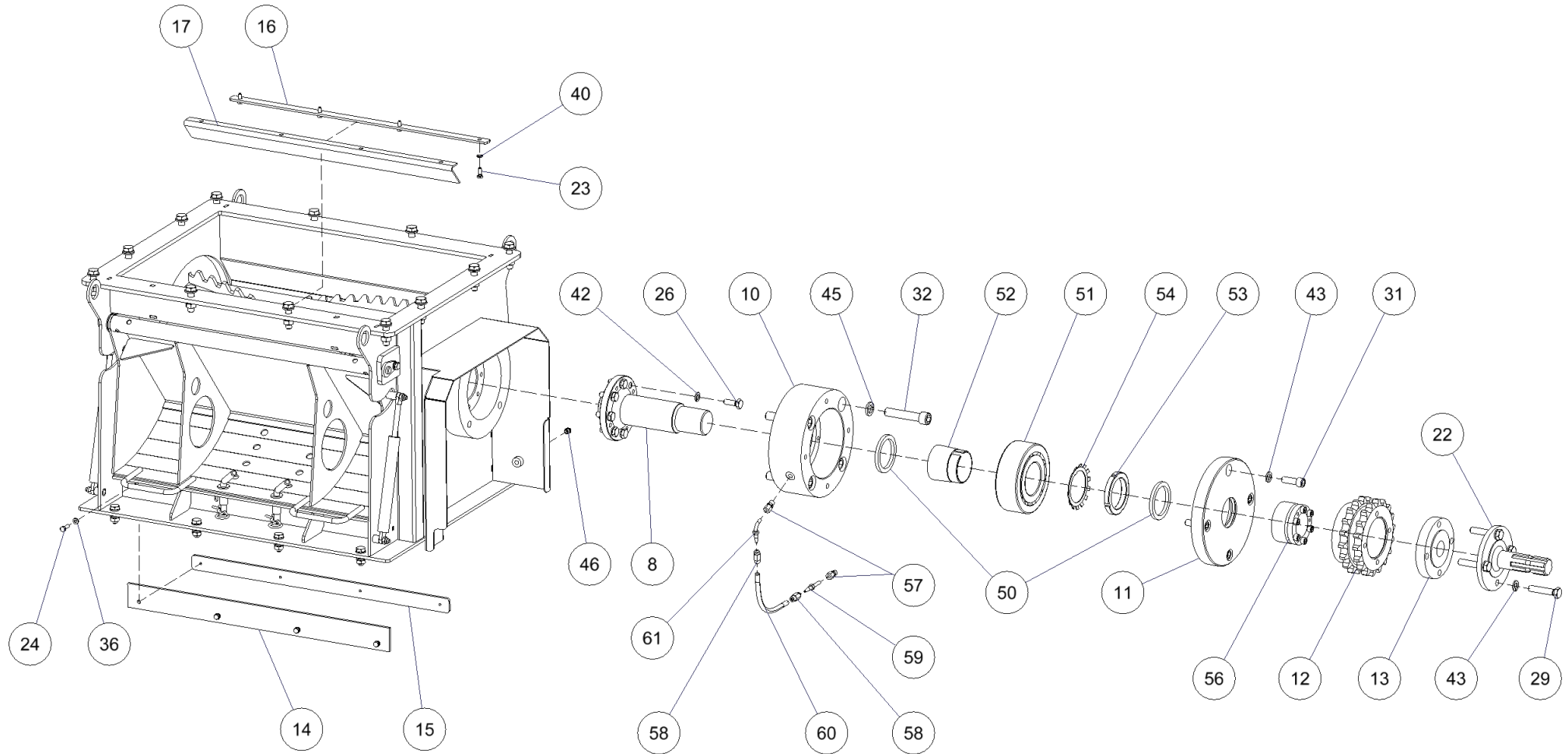
CP1 little

19 ADAPTER - adapter

POSITION	PART NAME	EVIDENCE NUMBER	PRICE/1pc	PIECES	NOTE
1	Rotor case	182 19 01 00_0		1	
2	Dosing rotor	074 19 02 00_1		1	
3	Rear lid	074 19 03 00_1		1	
4	Adjustable side	117 19 04 00_0		2	
5	Locking pivot	074 19 05 00_1		2	
6	Hinge pivot	117 19 06 00_0		2	
8	Front shaft	074 19 00 01_0		1	
9	Rear shaft	074 19 00 02_0		1	
18	Distance washer	117 19 00 12_0		2	
25	Screw M8x16 - 8.8 - Zn, DIN 933	0020801611		2	
26	Screw M10x30 - 8.8 - Zn, DIN 933	0021003011		25	
27	Screw M12x30 - 8.8 - Zn, DIN 933	0021203011		8	
28	Screw M12x45 - 8.8 - Zn, DIN 933	0021204511		16	
30	Screw M14x30 - 8.8 - Zn, DIN 933	0021403011		4	
33	Nut M10 - 8 - Zn, DIN 934	2001000011		10	
34	Nut M12 - 8 - Zn, DIN 934	2001200011		16	
35	Self-locking Nut M8 - 8 - Zn, DIN 982	2110800011		4	
37	Washer 8,4 - Zn, DIN 125	2500800001		2	
38	Washer 10,5 - Zn, DIN 125	2501000001		20	
39	Washer 13 - Zn, DIN 125	2501300001		40	
41	Flexible washer 8 - Zn, DIN 127	2580800001		2	
42	Flexible washer 10 - Zn, DIN 127	2581000001		25	
43	Flexible washer 12 - Zn, DIN 127	2581200001		32	
44	Flexible washer 14 - Zn, DIN 127	2581400001		4	
47	Spring split pin	900553		2	
49	Felt ring	900294		1	
55	Bearing	900346		1	
62	Gas strut	900485		2	

CP1 little 19 ADAPTER

adapter



CP1 little

19 ADAPTER - adapter

POSITION	PART NAME	EVIDENCE NUMBER	PRICE/1pc	PIECES	NOTE
8	Front shaft	074 19 00 01_0		1	
10	Bearing body	074 19 00 03_2		1	
11	Front lid	074 19 00 04_0		1	
12	Chain wheel	074 19 00 05_1		1	
13	Insertion	074 04 00 04_0		1	
14	Sealing rubber	182 19 00 01_0		1	
15	Belt holder	182 19 00 02_0		1	
16	Belt holder	182 19 00 04_0		1	
17	Sealing belt	182 19 00 03_0		1	
22	Flange	3 AK37 1530		1	
23	Screw M6x16 - 8.8 - Zn, DIN 933	0020601611		7	
24	Screw M6x20 - 8.8 - Zn, DIN 933	0020602011		5	
26	Screw M10x30 - 8.8 - Zn, DIN 933	0021003011		25	
29	Screw M12x60 - 8.8 - Zn, DIN 933	0021206011		4	
31	Screw imbus M12x35 - 8.8 - Zn, DIN 912	0031203511		4	
32	Screw imbus M16x80 - 8.8 - Zn, DIN 912	0031608011		4	
36	Washer 6,4 - Zn, DIN 125	2500600001		5	
40	Flexible washer 6 - Zn, DIN 127	2580600001		7	
42	Flexible washer 10 - Zn, DIN 127	2581000001		25	
43	Flexible washer 12 - Zn, DIN 127	2581200001		32	
45	Flexible washer 16 - Zn, DIN 127	2581600001		4	
46	Nipple	900375		1	
50	Felt ring	900289		2	
51	Bearing	900356		1	
52	Conical housing	900927		1	
53	Nut KM13 - Zn, DIN 981	2171300011		1	
54	Security washer MB13 - Zn	2671300001		1	
56	Clamping bushing	900802		1	
57	Direct screwing	900595		2	
58	Hose clamp	900397		2	
59	Screwing	900715		1	
60	Hose	900180		1	
61	Screwing	900714			