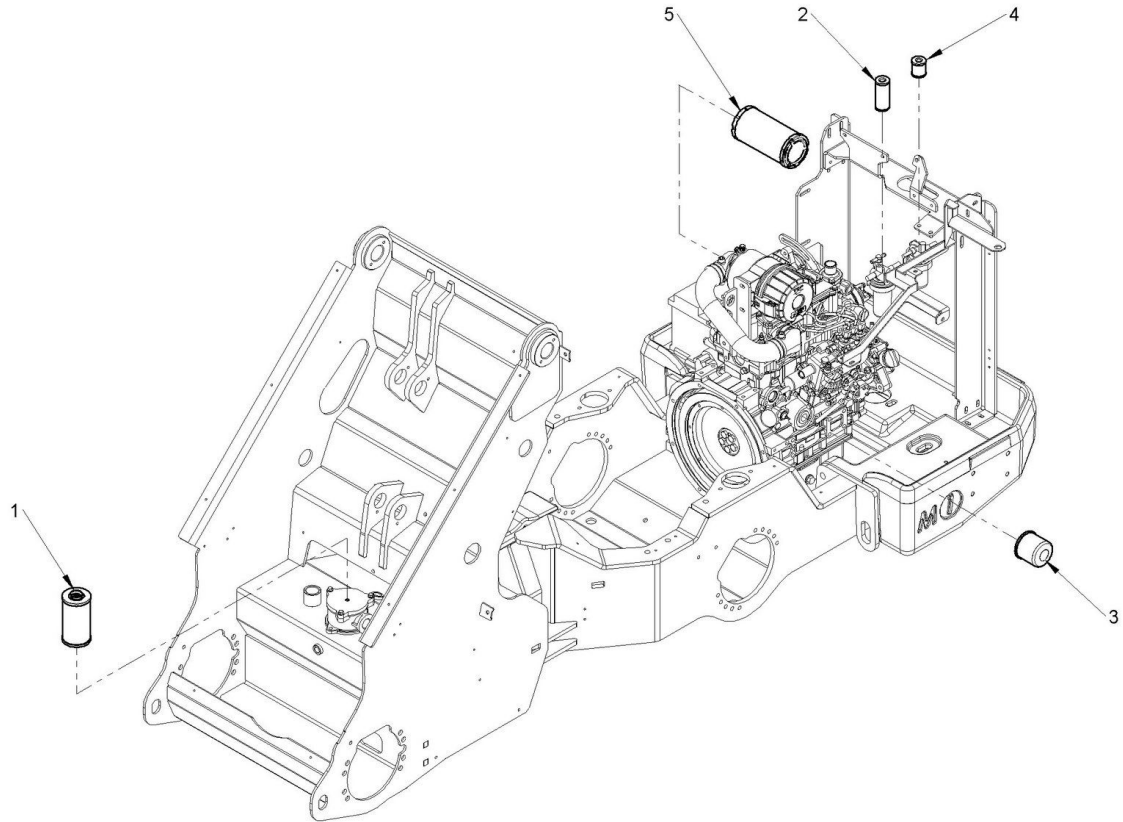


List of machine draft

N.	Draft
39	TAV. 00 SD 6.3 FILTERS
1	TAV. 01 SD 6.3 ENGINE AND PUMPS
2	TAV. 02 ENGINE SUPPORT
3	TAV. 03 SD 6-7-8 ARTICULATION, FRONT SIDE
4	TAV. 03 SD 7.3 ARTICULATION, REAR SIDE
5	TAV. 05 M1 SD 7 WHEEL MOTORS
7	TAV. 07 M1 6 TELESCOPIC BOOM
8	TAV. 08 M1 SD 6-7-8 RIGHT SIDE
9	TAV. 09 SD 6.3 MUFFLER BATTERY AIR FILTER
10	TAV. 10 M1 SD 6-7-8 PEDALS AND POWER STERING
11	TAV. 11 M1 9-7-8 COUPLING PLATE
12	TAV. 12 SD 6-7-8-9 CABIN STRUCTURE
13	TAV. 13 M1 SD 6-7-8 FRONT COVER
14	TAV. 14 SD 6-7-8 REAR COVER SUPPORT
15	TAV. 15 SD 6-7-8
16	TAV. 16 SD 6.3 LIFT BOOM
17	TAV. 17 SD 6-7-8-9 CABIN COVER
18	TAV. 18 WORK LIGHT
19	TAV. 19 SD 6 HYDRAULIC DIAGRAM
20	TAV. 20 SD 6-7-8 SERVICES HYDRAULIC DIAGRAM
21	TAV. 22 HAND BRAKE
22	TAV. 23 ELECTRIC PARTS
23	TAV. 30 M1 SD 6 SELF LEVELING (OPTIONAL)
24	TAV. 32 M1 SD GLASS CABIN
25	TAV. 33 M1 SD CABIN DETAILS
26	TAV. 34 SD 6.3 HEATING SYSTEM
27	TAV. 36 SD 6-9 FLOATING BOOM (OPTIONAL)
28	TAV. 40 TOW HOOK (OPTIONAL)
29	TAV. 41 LUXURY HEATED SEAT
30	TAV. 44 SD 6-7-8 DBS (OPTIONAL)
31	TAV. 49 M1 5-8, M1 6SD-8SD REAR BUMPER
32	TAV. 57 WATER TEMP SENSOR
33	TAV. 59 JOYSTICK MULTI
34	TAV. 60 SWITHES
35	TAV. 70 DIFFERENCE BETWEEN ROLL-BAR 1ST AND 2ND GENERATION
36	TAV. 95 DECALS
37	TAV. 96 MACHINE MULTICONNECTOR WEO FITTINGS
38	TAV. 99 HYDRAULIC MULTI COUPLING PLATE, FIX 3 WAY, ATTACHMENTS 3 WAY, ATTACHMENTS 2 WAY
6	TAV.06 SD 6.3-7.3 ENGINE COOLER AND FUEL TANK

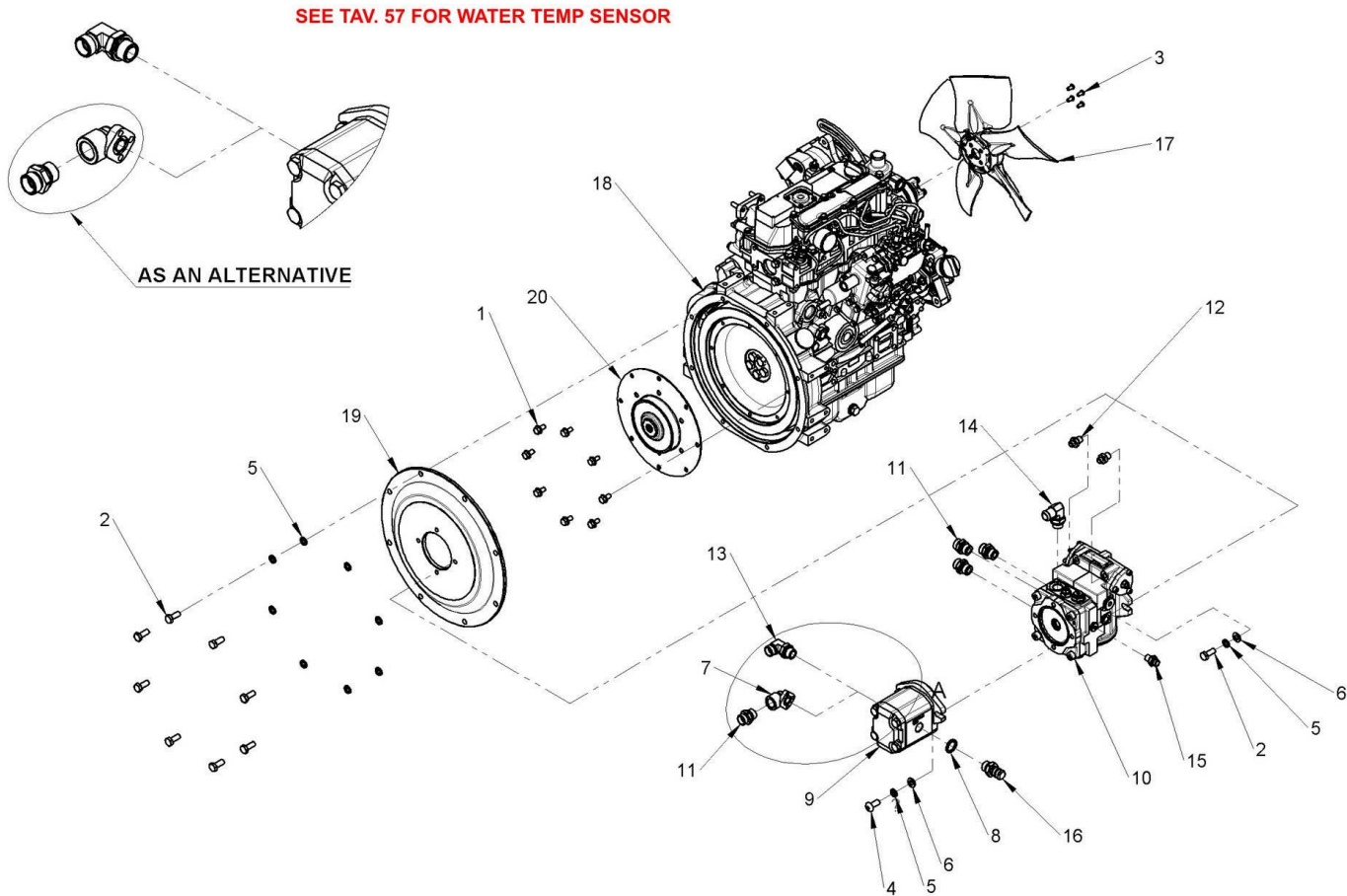


Draft and part list report
Serial n / code M333149 / C967000
Description MULTIONE SD 6.3



Component list [TAV. 00 SD 6.3 FILTERS]

Pos.	Code	Description	Q.ty
1	C036601	RETURN FILTER 10 micron CARTRIDGE FOR M/S/SL/F SERIES	1.00000
2	C039049	FUEL FILTER CARTRIDGE FOR A600Y,S26,S600Y	1.00000
3	C039050	OIL FILTER FOR YANMAR 3TNE68,3TNV76	1.00000
4	C039053	WATER SEPARATOR FILTER CARTRIDGE SL30,S25,S20,F25,F20,A600Y,S600,S26	1.00000
5	C039058	4" AIR FILTER ELEMENT	1.00000



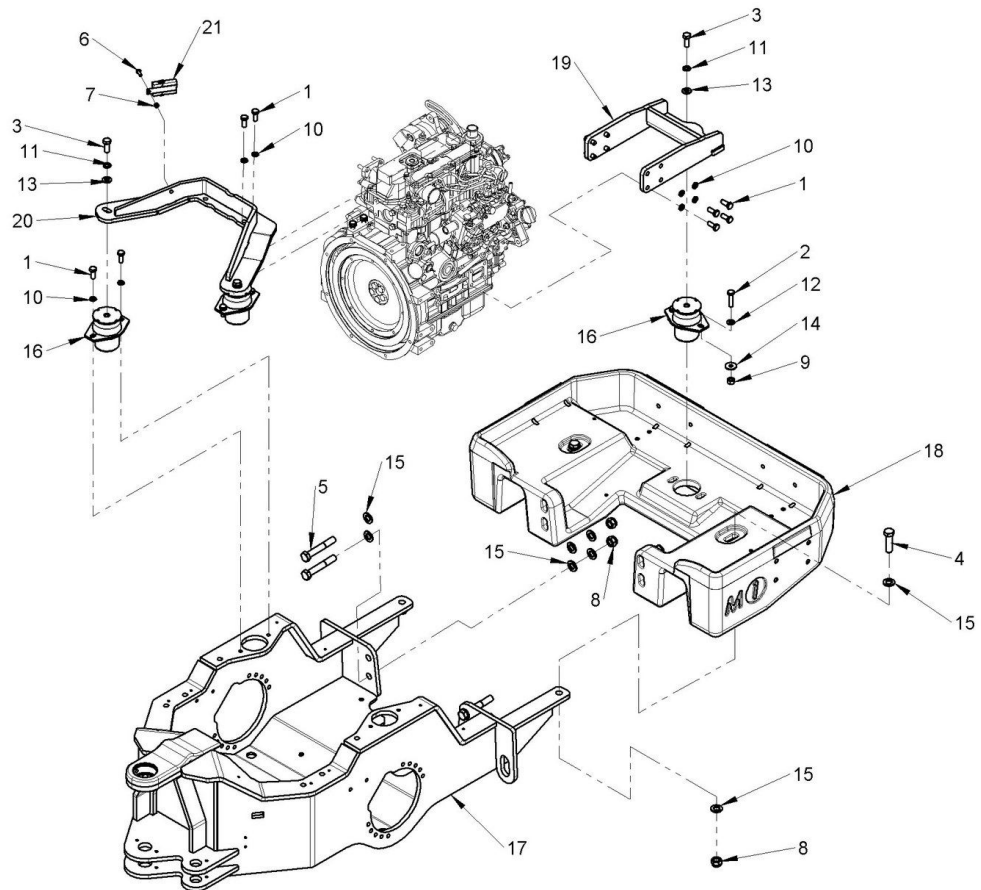
Component list [TAV. 01 SD 6.3 ENGINE AND PUMPS]

Pos.	Code	Description	Q.ty
1	C019201	HEXAGON FLANGE BOLT M8x16 DIN 6921	8.00000
2	C020101	HEXAGON HEAD SCREW 8.8 M10X25 UNI EN ISO 4017	10.00000
3	C020542	HEXAGON SOCKET OVAL HEAD SCREW M6x12 ZN ISO 7380	4.00000
4	C020550	HEXAGON SOCKET OVAL HEAD SCREW 8.8 M10X25 ISO 7380	2.00000
5	C023042	SELF LOCKING FLANGE NORD LOCK M10	12.00000
6	C023080	FLAT WASHER X M10 10.5X20X2	4.00000
7	C030414	PUMP FLANGE FEMALE OUTPUT 90° 1/2" GAS WITH SCREWS AND ORING	1.00000
8	C030542	BONDED WASHER 1/2" GAS	1.00000
9	C030964	11CC GEAR PUMP	1.00000
10	C030951	HYDROSTATIC PUMP 19CC S600	1.00000
11	C033003	NIPPLES 1/2" G / 15L	4.00000
12	C033007	NIPPLES 1/4" GAS / 6L	2.00000
13	C033022	90° ELBOW, ADJUSTABLE MALE STUD G 1/2 - MALE 15L	1.00000
14	C033023	90° FITTING FOR SUCTION HOSE 1/2"	1.00000



Draft and part list report
Serial n / code M333149 / C967000
Description MULTIONE SD 6.3

15	C033134	NIPPLES 1/4GAS-8L	1.00000
16	C033301	PORTAGOMMA DRITTO 1/2" G PER TUBO DA 3/4" (Ø19)	1.00000
17	C034205	İ340 VARIABLE PITCH FAN	1.00000
18	C039036	YANMAR DIESEL ENGINE 3TNV76	1.00000
19	C039522	PUMP FLANGE SAE 5/SAE A FOR YANMAR	1.00000
20	C039543	Z9 PUMP JOINT	1.00000



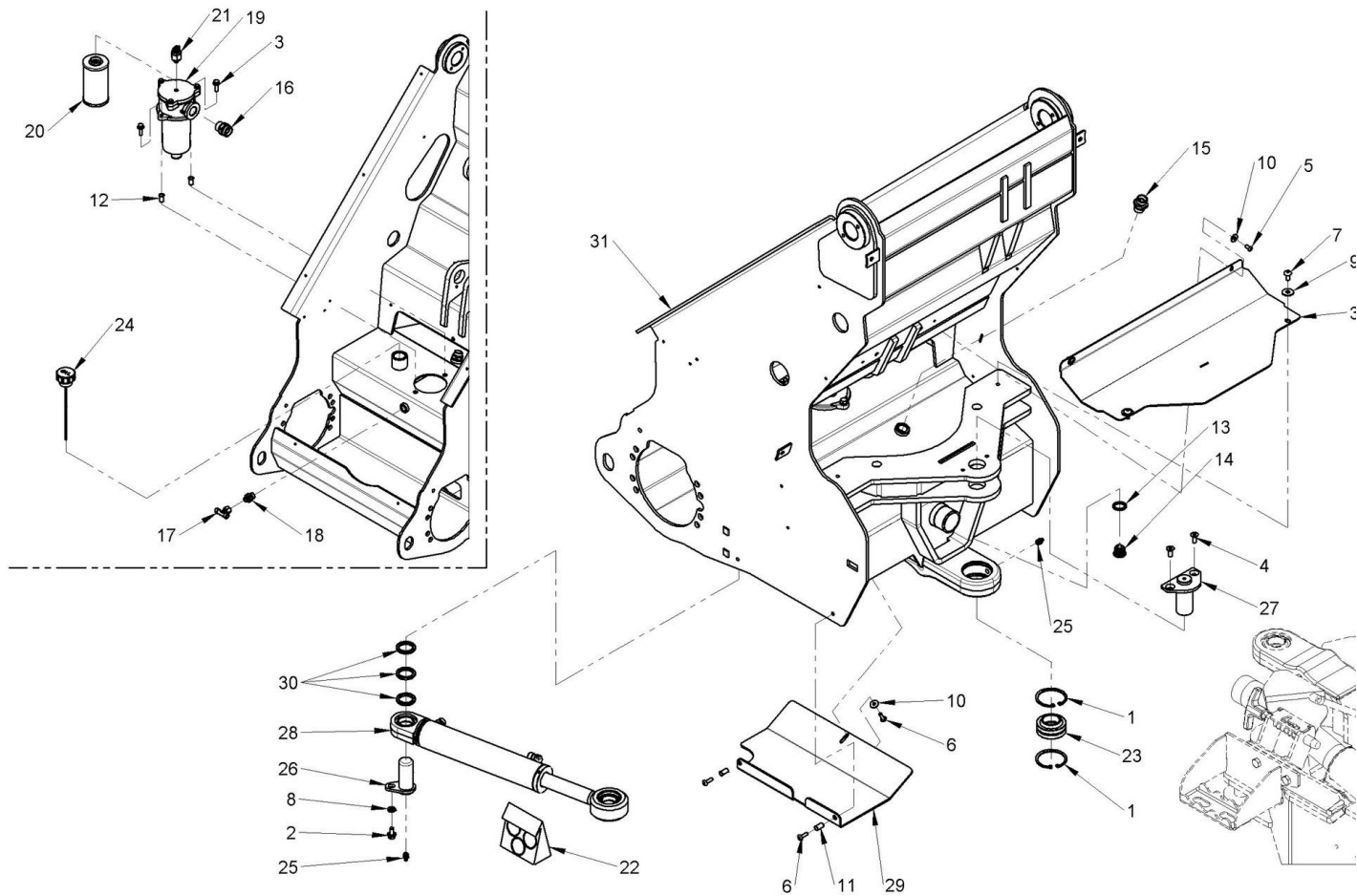
Component list [TAV. 02 ENGINE SUPPORT]

Pos.	Code	Description	Q.ty
1	C020101	HEXAGON HEAD SCREW 8.8 M10X25 UNI EN ISO 4017	16.00000
2	C020104	HEXAGON HEAD SCREW M10x40 ZB UNI EN ISO 4017	2.00000
3	C020132	HEXAGON HEAD SCREW M12x30 UNI 5739	3.00000
4	C020141	VITE TE 8.8 M16x55 FILETTO PARZIALE UNI 5737 ZN	2.00000
5	C020146	UNI 5737 M16x100 SCREW	4.00000
6	C020548	HEXAGON SOCKET OVAL HEAD SCREW M6x20 ZN UNI/ISO 7380	1.00000
7	C021104	PREVAILING TORQUE-TYPE HEXAGONAL NUTS WITH POLYAMIDE RING M6 UNI 7473	1.00000
8	C021109	SELF-LOCKING NUT M16 ZN DIN 982	6.00000
9	C021503	SELF-LOCKING HEXAGONAL NUT M10 ZN DIN980	2.00000
10	C023042	SELF LOCKING FLANGE NORD LOCK M10	16.00000
11	C023043	SELF LOCKING WASHER M12	3.00000
12	C023080	FLAT WASHER X M10 10.5X20X2	2.00000
13	C023102	PLAIN WASHER M12 UNI 6592	3.00000
14	C023104	FLAT WASHER, M10	2.00000



Draft and part list report
Serial n / code M333149 / C967000
Description MULTIONE SD 6.3

15	C023139	FLAT WASHER X M16 Ý17x30x3 UNI ISO 7089	16.00000
16	C037410	HYDRAULIC DUMPER 40SH	3.00000
17	C281600	REAR FRAME	1.00000
18	C281616	BACKWEIGHT FOR M1 7.3, M1 8.4	1.00000
19	C284420	ASSIEME SUPP. POSTERIORE M1 7.2-SD 6.3	1.00000
20	C284425	FRONT ENGINE SUPPORT	1.00000
21	FF180/MTA 03.00390	MAXI FUSE-HOLDER	1.00000



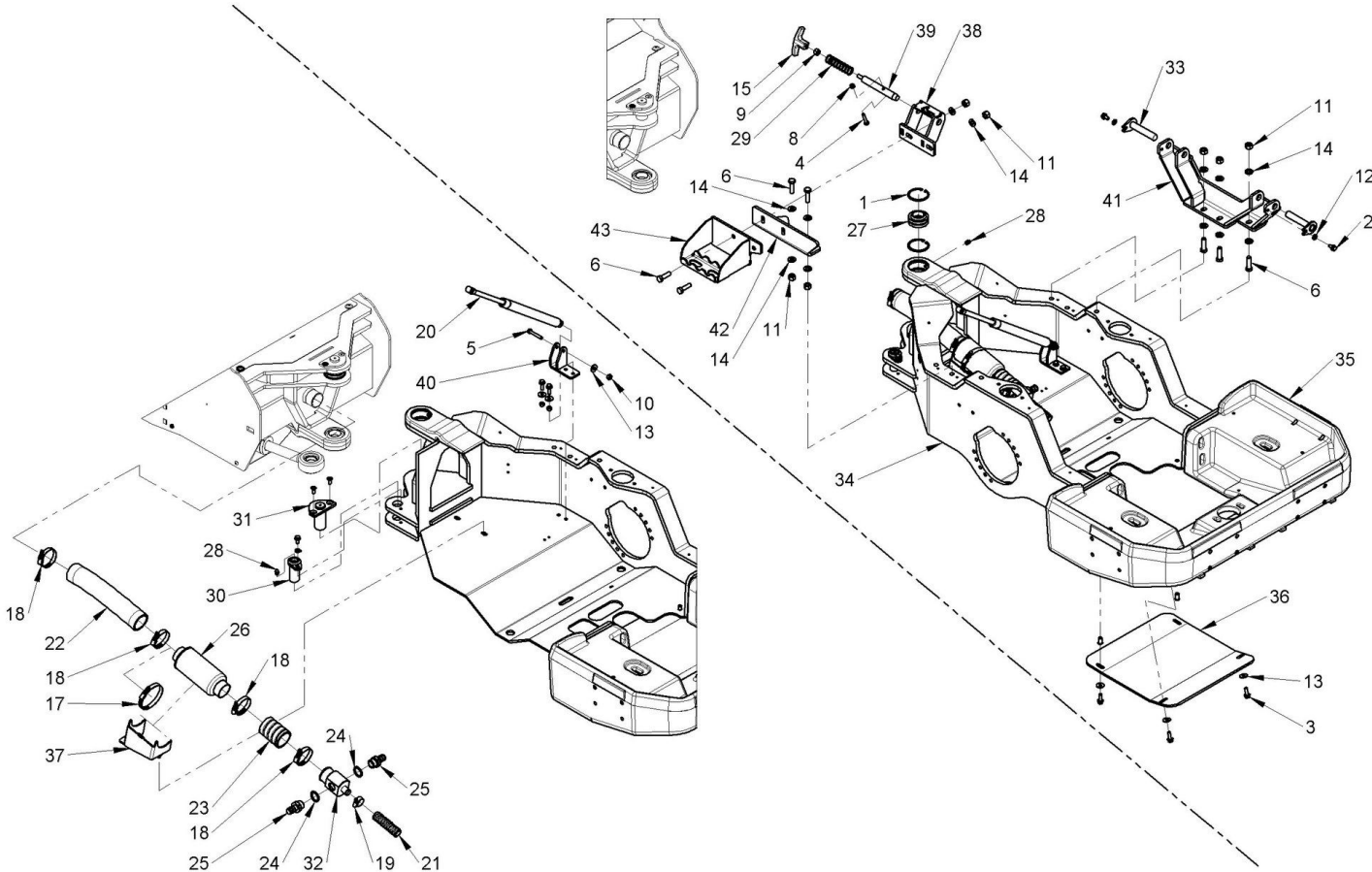
Component list [TAV. 03 SD 6-7-8 ARTICULATION, FRONT SIDE]

Pos.	Code	Description	Q.ty
1	C018310	BORES SEEGER RING ĩ62 DIN 472	2.00000
2	C019201	HEXAGON FLANGE BOLT M8x16 DIN 6921	1.00000
3	C019203	HEXAGON FLANGE BOLT M8x25 ISO 1665	2.00000
4	C020155	M8X20 SCREW UNI5933	2.00000
5	C020542	HEXAGON SOCKET OVAL HEAD SCREW M6x12 ZN ISO 7380	2.00000
6	C020548	HEXAGON SOCKET OVAL HEAD SCREW M6x20 ZN UNI/ISO 7380	3.00000
7	C020549	ISO 7380 M8x16 SCREW	2.00000
8	C023041	NORD LOCK WASHER M8	1.00000
9	C023100	PLAIN WASHER LARGE SERIES M8 DIN 9021	2.00000
10	C023110	PLAIN WASHER LARGE SERIES M6 6.5X18X1.5 DIN9021	3.00000
11	C028271	THREAD INSERT M6	3.00000
12	C028287	THREAD INSERT M8	2.00000
13	C030542	BONDED WASHER 1/2" GAS	1.00000
14	C030610	MAGNETIC MALE PLUG G 1/2"	1.00000



Draft and part list report
Serial n / code M333149 / C967000
Description MULTIONE SD 6.3

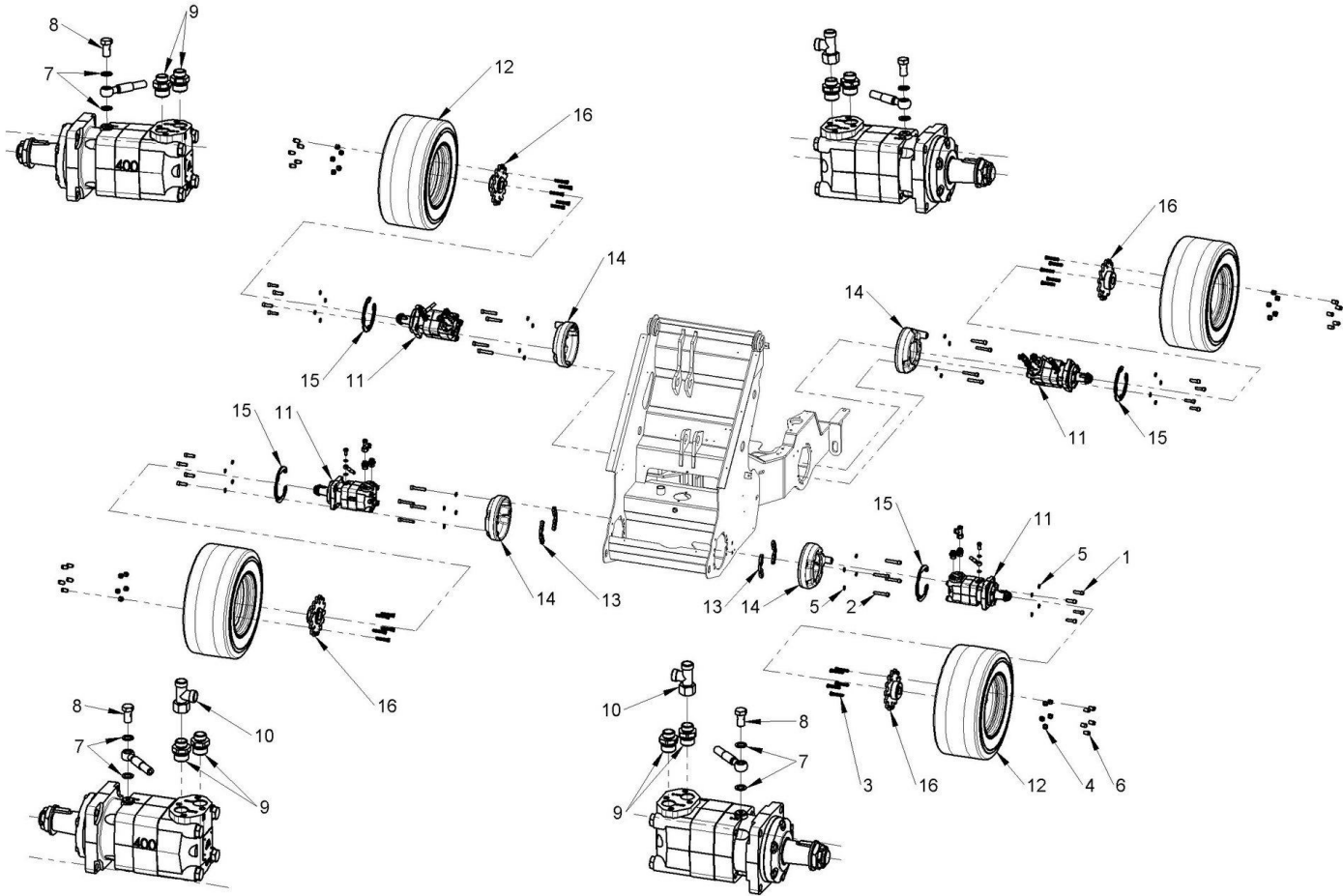
15	C033003	NIPPLES 1/2" G / 15L	1.00000
16	C033004	NIPPLES 3/4" G - 22L	1.00000
17	C033086	TEES-CONNECTION M-F-M 8L	1.00000
18	C033133	NIPPLES 3/8" GAS / 8L	1.00000
19	C036600	RETURN FILTER ASSY FOR S/SL SERIES	1.00000
20	C036601	RETURN FILTER 10 micron CARTRIDGE FOR M/S/SL/F SERIES	1.00000
21	C036651	PRESSURE SWITCH 1/8" GAS	1.00000
22	C036829	C281744 SEAL KIT	1.00000
23	C037637	GE 35 FO 2RS RADIAL SPHERICAL PLAIN BEARING	1.00000
24	C038748	1" G PRESSURIZED LEVEL CUP	1.00000
25	C090030	GREASER M10X1 UNI 7663A	2.00000
26	C230164	Ø30x66 PIN	1.00000
27	C230166	FLANGED PIN Ø35 L=73	1.00000
28	C281744	POWER STEERING CYLINDER	1.00000
29	C281783	POWER STEERING CYLINDER PROTECTION COVER	1.00000
30	C282911	Ø40-Ø30,2-4 SPACER	3.00000
31	C283000	FRONT FRAME M1 6.3SD-7.3SD-8.4SD	1.00000
32	C284567	FRONT FRAME CLOSING PLATE	1.00000



Component list [TAV. 03 SD 7.3 ARTICULATION, REAR SIDE]

Pos.	Code	Description	Q.ty
1	C018310	BORES SEEGER RING ĩ62 DIN 472	2.00000
2	C019201	HEXAGON FLANGE BOLT M8x16 DIN 6921	3.00000
3	C019203	HEXAGON FLANGE BOLT M8x25 ISO 1665	8.00000
4	C020077	ISO 4017 M8X40 SCREW	1.00000
5	C020079	UNI 5739 M8x50 SCREW	1.00000
6	C020139	HEXAGON HEAD SCREW M12x40 UNI 4017	7.00000
7	C020155	M8X20 SCREW UNI5933	2.00000
8	C021010	NUT E 6S M8 UNI 5588	1.00000
9	C021194	NUT E 6S M10 ALTO ZB UNI 5587	1.00000
10	C021502	SLOTTED AND CASTLE HEXAGON NUTS M8 DIN980	5.00000
11	C021504	SELF BRAKING NUT M12 DIN 980	7.00000
12	C023041	NORD LOCK WASHER M8	3.00000
13	C023100	PLAIN WASHER LARGE SERIES M8 DIN 9021	9.00000
14	C023102	PLAIN WASHER M12 UNI 6592	12.00000

15	C028027	BRAKE HANDLE,ORANGE	1.00000
16	C028270	THREAD INSERT M8	2.00000
17	C029043	CLIP MEB 12 INOX 80-100	1.00000
18	C029045	CLAMP 12MM INOX 56-59	4.00000
19	C029046	STEEL BELT 20/32 MM	1.00000
20	C029530	GAS SPRING	1.00000
21	C030102	OIL SUCTION PIPE Ĩ19x28	1.00000
22	C030103	SUCTION OIL PIPE Ĩ51x61	1.00000
23	C030103	SUCTION OIL PIPE Ĩ51x61	1.00000
24	C030543	BONDED WASHER 3/4"" GAS	2.00000
25	C033300	STRAIGHT HOSE CONNECTOR 3/4"" FOR 3/4"" HOSE	2.00000
26	C036616	SUCTION FILTER 60 MICRON - 100 Lt./min.	1.00000
27	C037637	GE 35 FO 2RS RADIAL SPHERICAL PLAIN BEARING	1.00000
28	C090030	GREASER M10X1 UNI 7663A	2.00000
29	C220330	COMPRESSION SPRING	1.00000
30	C230164	Ø30x66 PIN	1.00000
31	C230166	FLANGED PIN Ø35 L=73	1.00000
32	C261110	{{>desc}}	1.00000
33	C270902	Ø20x108 FLANGED PIN	2.00000
34	C281600	REAR FRAME	1.00000
35	C281616	BACKWEIGHT FOR M1 7.3, M1 8.4	1.00000
36	C281648	OIL SUMP PROTECTION	1.00000
37	C283049	SUPPORTO FILTRO OLIO IN ASPIRAZIONE REV.02	1.00000
38	C284230	LOCKING GUIDE CABIN PIN	1.00000
39	C284235	{{>desc}}	1.00000
40	C284240	GAS SPRING LOWER SUPPORT	1.00000
41	C284275	RIGHT SIDE CABIN SUPPORT	1.00000
42	C284281	LEFT SIDE CABIN SUPPORT	1.00000
43	C284524	STEP	1.00000



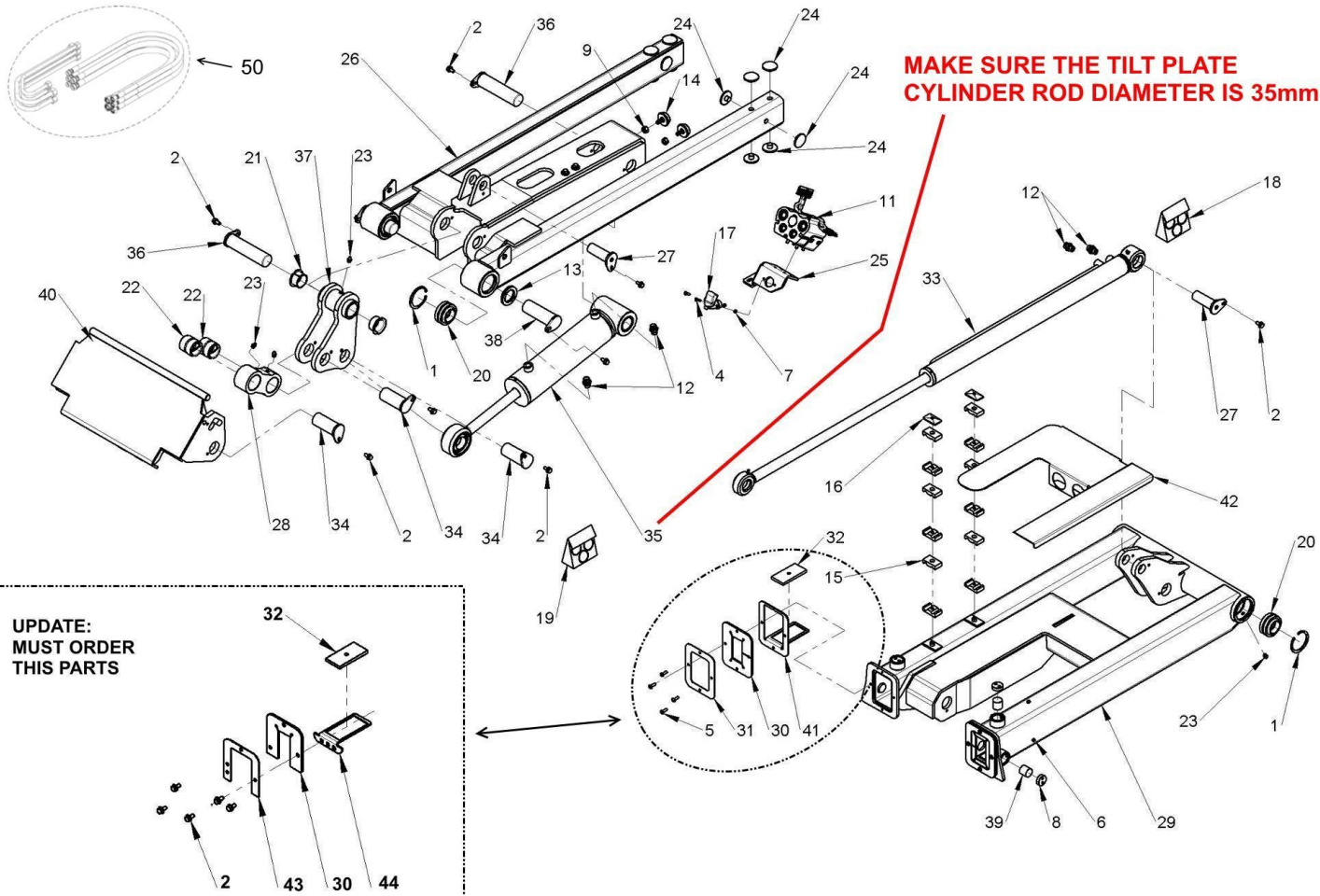
Component list [TAV. 05 M1 SD 7 WHEEL MOTORS]

Pos.	Code	Description	Q.ty
1	C020250	HEXAGON SOCKET HEAD CAP SCREW Cl. 12.9 M12x40 ZB UNI EN ISO 4762	16.00000
2	C020256	M12x70 SCREW UNI EN ISO 4762	16.00000
3	C020501	AXLE STUD BOLT M12X1.5X70 ZNB	20.00000
4	C021133	ROUNDED NUT M12X1.5 CH19 ZN	20.00000
5	C023043	SELF LOCKING WASHER M12	32.00000
6	C028051	RUBBER LOCKET FOR TUBE 12X25 BLUE	20.00000
7	C030540	COPPER WASHER 1/4" GAS	8.00000
8	C033015	PERFORED BOLT 1/4"	4.00000
9	C033020	NIPPLES 3/4" G - 15L	8.00000
10	C033035	T FITTING F-M-M 15L	3.00000
11	C038630	OMT315 WHEEL MOTOR	4.00000
12	C040050	23X8.50-12 TRACTOR LOADER WHEEL ETO	4.00000
13	C281614	WHEEL MOTOR LOCKING PLATE	4.00000
14	C284212	FORGED FLANGE IN TWO HALF FOR ORBITAL MOTOR	4.00000



Draft and part list report
Serial n / code M333149 / C967000
Description MULTIONE SD 6.3

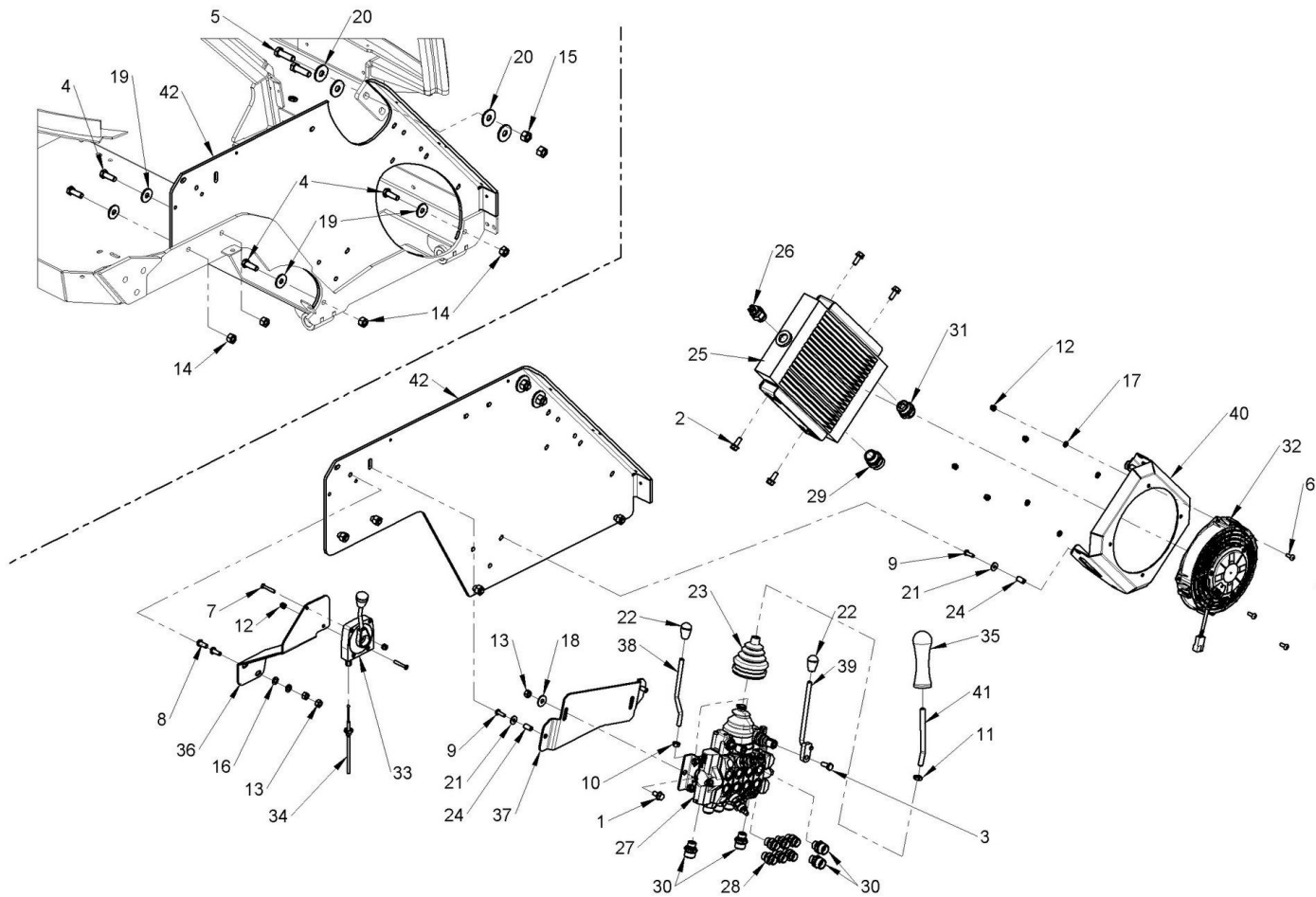
15	C284545	WHEEL MOTOR SPACER	4.00000
16	C284550	WHEEL HUB	4.00000



Component list [TAV. 07 M1 6 TELESCOPIC BOOM]

Pos.	Code	Description	Q.ty
1	C018302	BORES SEEGER RING ĩ68 DIN 472	4.00000
2	C019201	HEXAGON FLANGE BOLT M8x16 DIN 6921	9.00000
3	C019202	HEXAGON FLANGE BOLT M8x20 DIN 6921	2.00000
4	C020287	RECESSED RAISED CHEESE HEAD SCREW M5x20 UNI 7687 DIN 7985	2.00000
5	C020548	HEXAGON SOCKET OVAL HEAD SCREW M6x20 ZN UNI/ISO 7380	8.00000
6	C020566	STRAIGHT THREAD E.I. M8X8 UNI5927 ZB	4.00000
7	C021102	PREVAILING TORQUE - TYPE HEXAGON NUT WITH POLYAMIDE RING M5 DIN 982	2.00000
8	C021413	SETTING HEAD 1"G	4.00000
9	C021503	SELF-LOCKING HEXAGONAL NUT M10 ZN DIN980	2.00000
10	C023100	PLAIN WASHER LARGE SERIES M8 DIN 9021	2.00000
11	C030480	HYDRAULIC MULTICONNECTOR, FIX 3 WAY	1.00000
12	C033001	NIPPLES 3/8" G / 12L	4.00000
13	C035077	NBR SHAFT SEAL ĩ40x62x7	2.00000
14	C035078	RUBBER END	2.00000

15	C035119	DOUBLE HOSE HOLDER, ĩ12 AND ĩ15	12.00000
16	C035140	UPPER PLATE FOR HOSE HOLDER, TWIN	2.00000
17	FF180/25.036.100	3 POLE CONNECTOR (MACHINE MOUNT)	1.00000
18		{{>desc}}	1.00000
19		{{>desc}}	1.00000
20	C037639	RADIAL SPHERICAL PLAIN BEARINGS GE 40 FO 2RS	4.00000
21	C037641	BUSHING ĩ40x44x55x25	2.00000
22	C037689	SIBO BUSHING 50x40x50	2.00000
23	C090030	GREASER M10X1 UNI 7663A	7.00000
24	C281633/L	ROUND SLIDE PAD FOR TELESCOPIC ARM M1 5->10	12.00000
25	C281640	MULTICONNECTOR PLATE SUPPORT	1.00000
26	C282380	TELESCOPIC BOOM MOBILE PART	1.00000
27	C281704	Ø30x85 PIN	2.00000
28	C281713	COUPLING PLATE ROD	1.00000
29	C282340	TELESCOPIC BOOM FIXED PART	1.00000
30	C281721	TELESCOPIC ARM RUBBER PROTECTION	2.00000
31	C281723	PROTECTION RUBBER FIXED FRAME	2.00000
32	C281734/L	SLIDING PAD	2.00000
33	C281745	TELESCOPIC BOOM CYLINDER	1.00000
34	C281765	FLANGED PIN ĩ40 L=90	3.00000
35	C284681	TILT PLATE CYLINDER M1 6.3	1.00000
36	C281779	PIN ĩ40 L=155	2.00000
37	C281780	FIRST TILT LEVER	1.00000
38	C281799	PIN ĩ40 L=120	2.00000
39	C281859	SLIDING STUD M1 5->10 SERIES	4.00000
40	C281860	COUPLING PLATE	1.00000
41	C282306	SLIDING PAD BOOM BRACKET	2.00000
42	C282370	ANTI-WEAR PROTECTION FOR TUBES	1.00000
43	C284487	BOOM RUBBER FIXER	2.00000
44	C284488	SLIDING PAD BOOM BRACKET	2.00000
50	C810497	WEO ARM HOSES M1 6-7-8, SD 6-7-8	1.00000



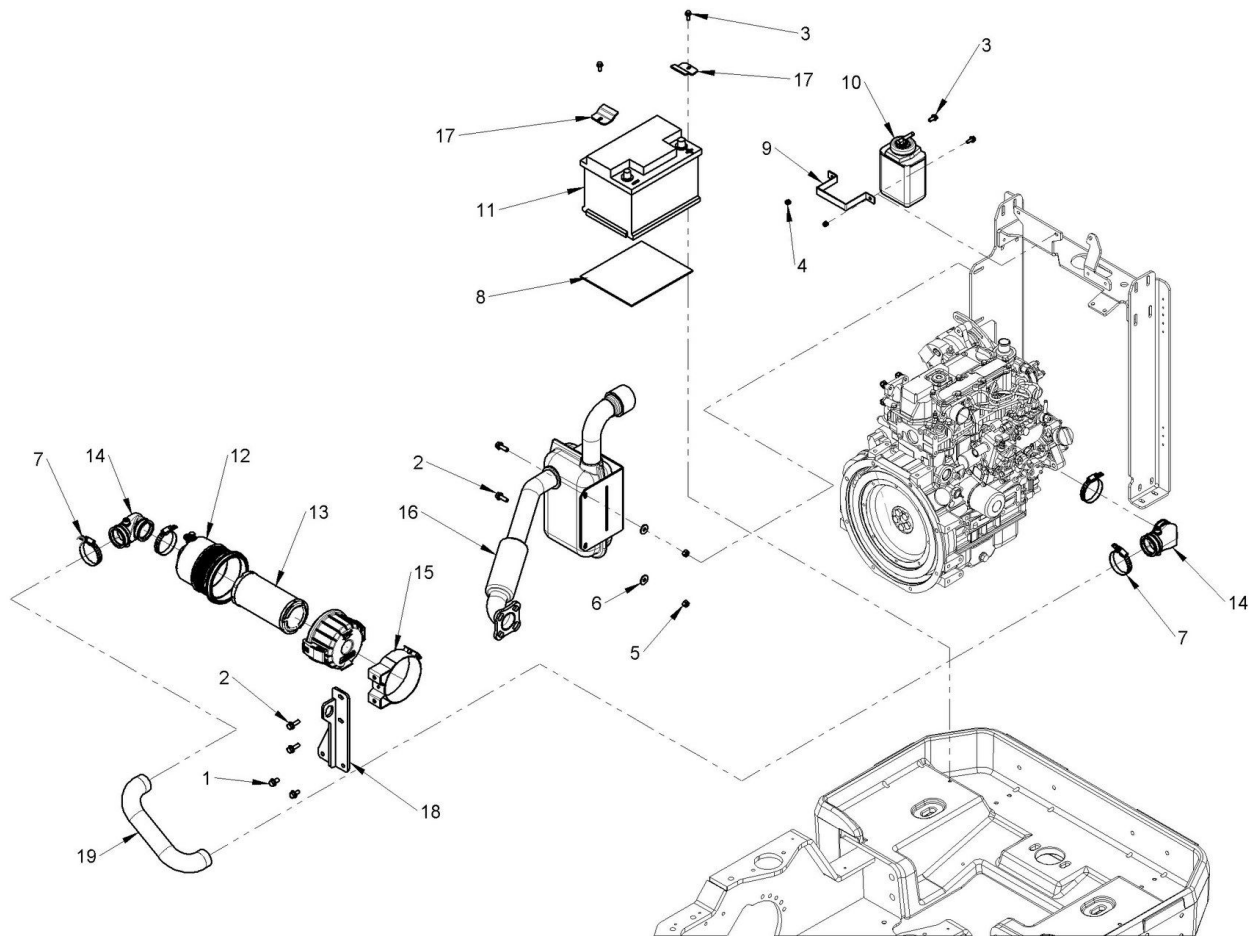
Component list [TAV. 08 M1 SD 6-7-8 RIGHT SIDE]

Pos.	Code	Description	Q.ty
1	C019201	HEXAGON FLANGE BOLT M8x16 DIN 6921	2.00000
2	C019202	HEXAGON FLANGE BOLT M8x20 DIN 6921	4.00000
3	C020072	HEXAGON HEAD BOLT 8.8 M8x20 UNI 5739	1.00000
4	C020102	HEXAGON HEAD SCREW M10x30 UNI 5739	4.00000
5	C020139	HEXAGON HEAD SCREW M12x40 UNI 4017	2.00000
6	C020145	HEXAGON SOCKET OVAL HEAD SCREW M6x16 ISO 7380	4.00000
7	C020291	HEXAGON SOCKET COUNTERSUNK HEAD CAP SCREW 10.9 M5x35 UNI 5933	2.00000
8	C020541	HEXAGON SOCKET OVAL HEAD SCREW M8x20 ISO 7380	2.00000
9	C020548	HEXAGON SOCKET OVAL HEAD SCREW M6x20 ZN UNI/ISO 7380	4.00000
10	C021010	NUT E 6S M8 UNI 5588	1.00000
11	C021013	HEXAGON NUT M10 UNI 5589	1.00000
12	C021104	PREVAILING TORQUE-TYPE HEXAGONAL NUTS WITH POLYAMIDE RING M6 UNI 7473	6.00000
13	C021502	SLOTTED AND CASTLE HEXAGON NUTS M8 DIN980	4.00000
14	C021503	SELF-LOCKING HEXAGONAL NUT M10 ZN DIN980	4.00000



Draft and part list report
Serial n / code M333149 / C967000
Description MULTIONE SD 6.3

15	C021504	SELF BRAKING NUT M12 DIN 980	2.00000
16	C023071	PLAIN WASHER M8 8.4x16x1.6 UNI6592	2.00000
17	C023090	FLAT WASHER M6 6.4x12x1.6 UNI 6592	4.00000
18	C023100	PLAIN WASHER LARGE SERIES M8 DIN 9021	2.00000
19	C023104	FLAT WASHER, M10	4.00000
20	C023105	WASHER FOR M12 13x37x3 DIN9021 UNI6593	4.00000
21	C023110	PLAIN WASHER LARGE SERIES M6 6.5X18X1.5 DIN9021	4.00000
22	C028025	CONICAL BALL KNOBS WITH M6 NUT	2.00000
23	C028050	RUBBER JOYSTICK PROTECTION 72X11X83	1.00000
24	C028271	THREAD INSERT M6	4.00000
25	C030587	OIL COOLER FOR MULTIONE S 600 SERIES	1.00000
26	C030606	THERMOSWITCH 50-60!	1.00000
27	C030759	S500 HYDRAULIC DISTRIBUTOR >07-2012 WITH VALVES	1.00000
28	C033001	NIPPLES 3/8"" G / 12L	6.00000
29	C033004	NIPPLES 3/4" G - 22L	1.00000
30	C033010	3/8"-15L MALE JOINT	4.00000
31	C033020	NIPPLES 3/4" G - 15L	1.00000
32	C034001	190mm ELECTRIC FAN	1.00000
33	C038711	WATERPROOF THROTTLE CONTROL HAND LEVER	1.00000
34	C038712	THROTTLE CABLE SL800	1.00000
35	C271683	JOYSTICK HANDLE FOR M AND S620	1.00000
36	C281638	THROTTLE SUPPORT	1.00000
37	C281647	BUCHER DISTRIBUTOR SUPPORT	1.00000
38	C281657/L	EXTENSIBLE BOOM COMMAND LEVER	1.00000
39	C282247	HYDRAULICH OUTLET COMMAND LEVER	1.00000
40	C282249	OIL SUPPORT COOLER	1.00000
41	C282288/L	JOYSTICK BAR	1.00000
42	C284225	FIANCO DX CABINA SD REV.01	1.00000



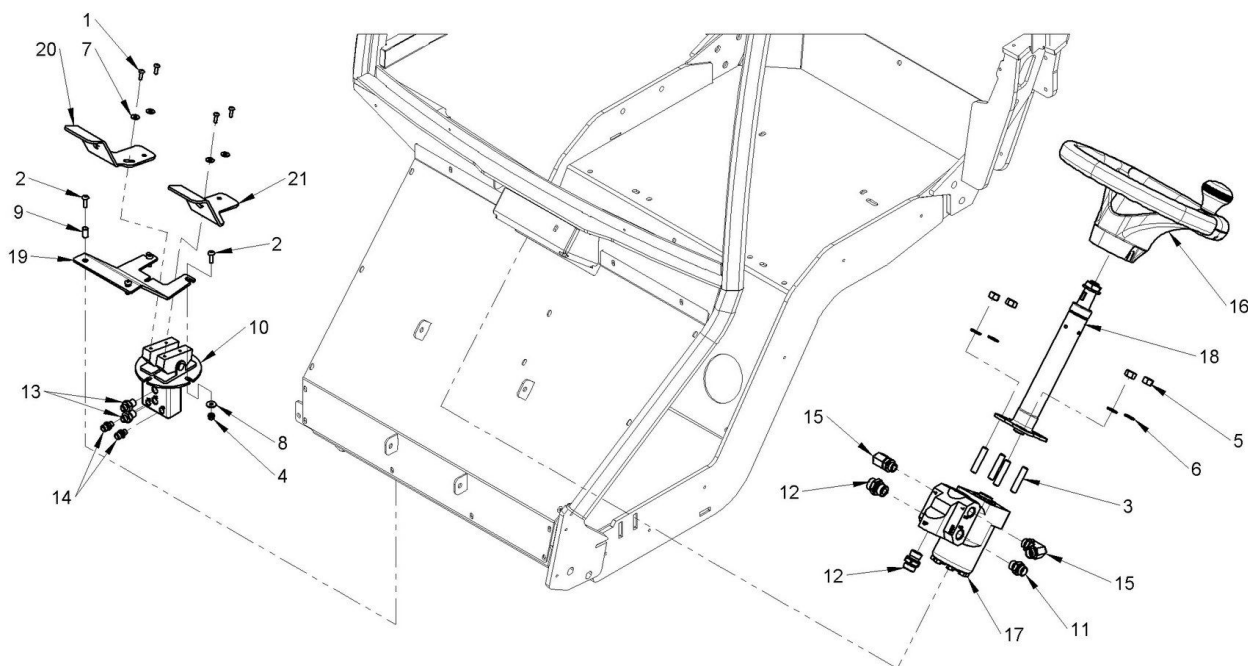
Component list [TAV. 09 SD 6.3 MUFFLER BATTERY AIR FILTER]

Pos.	Code	Description	Q.ty
1	C019201	HEXAGON FLANGE BOLT M8x16 DIN 6921	2.00000
2	C019203	HEXAGON FLANGE BOLT M8x25 ISO 1665	4.00000
3	C019211	M6x16 BOLT UNI 1665	4.00000
4	C021104	PREVAILING TORQUE-TYPE HEXAGONAL NUTS WITH POLYAMIDE RING M6 UNI 7473	2.00000
5	C021502	SLOTTED AND CASTLE HEXAGON NUTS M8 DIN980	8.00000
6	C023100	PLAIN WASHER LARGE SERIES M8 DIN 9021	2.00000
7	C029031	CLAMP MEB 12 INOX 40-60	4.00000
8	C029253	PANNELLO IN GOMMA ANTIVIBRAZIONI mm. 210x175 Sp. 3	1.00000
9	C034090	COOLANT TANK BRACKET	1.00000
10	C034091	COOLANT TANK	1.00000
11	C036432	BATTERY 12V 62AH	1.00000
12	C039054	4" AIR FILTER BODY	1.00000
13	C039058	4" AIR FILTER ELEMENT	1.00000
14	C039148	90° AIR PIPE 4" FILTER / F-F Ø44	2.00000



Draft and part list report
Serial n / code M333149 / C967000
Description MULTIONE SD 6.3

15	C039151	MOUNTING BAND FOR 4"" AIR FILTER	1.00000
16	C039202	MUFFLER FOR M1 6/7.2 SERIES YANMAR	1.00000
17	C277108	BATTERY BRACKET	2.00000
18	C284560	SUPPORTO FILTRO ARIA M1 SD 6 REV.01	1.00000
19	C284561	SD 6 AIR INTAKE PIPE	1.00000



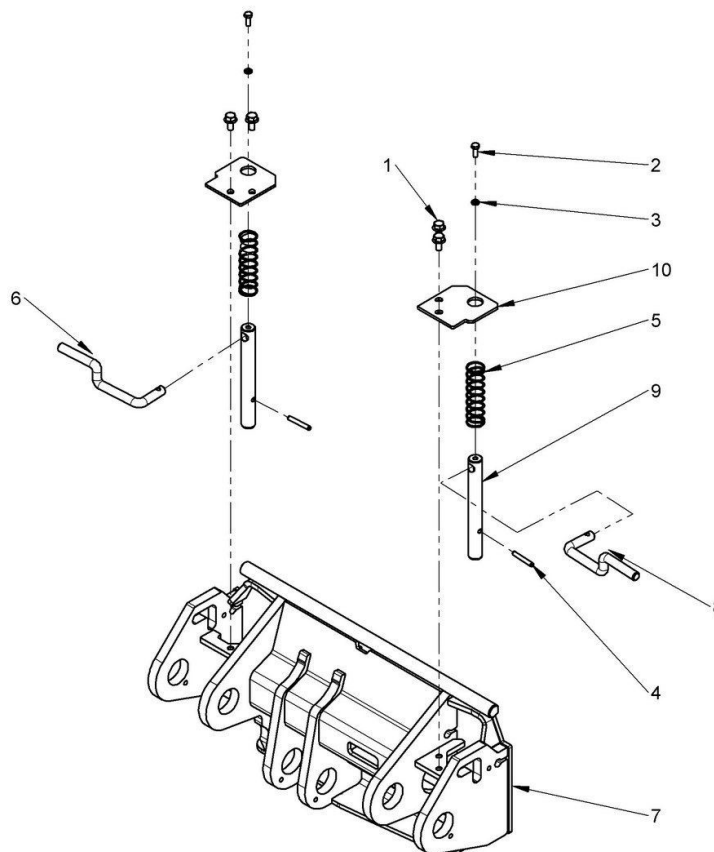
Component list [TAV. 10 M1 SD 6-7-8 PEDALS AND POWER STERING]

Pos.	Code	Description	Q.ty
1	C020547	HEXAGON SOCKET OVAL HEAD SCREW M5x16 ISO 7380	4.00000
2	C020548	HEXAGON SOCKET OVAL HEAD SCREW M6x20 ZN UNI/ISO 7380	4.00000
3	C020551	THREAD BAR M10X50	4.00000
4	C021104	PREVAILING TORQUE-TYPE HEXAGONAL NUTS WITH POLYAMIDE RING M6 UNI 7473	2.00000
5	C021503	SELF-LOCKING HEXAGONAL NUT M10 ZN DIN980	4.00000
6	C023080	FLAT WASHER X M10 10.5X20X2	4.00000
7	C023098	PLAIN WASHER LARGE SERIES M5 DIN 9021	4.00000
8	C023110	PLAIN WASHER LARGE SERIES M6 6.5X18X1.5 DIN9021	2.00000
9	C028271	THREAD INSERT M6	2.00000
10	C030729	TWIN PEDAL CONTROL BLOCK W/OUT PEDAL	1.00000
11	C033001	NIPPLES 3/8" G / 12L	1.00000
12	C033003	NIPPLES 1/2" G / 15L	2.00000
13	C033007	NIPPLES 1/4" GAS / 6L	2.00000
14	C033008	NIPPLES 1/8" GAS / 6L	2.00000



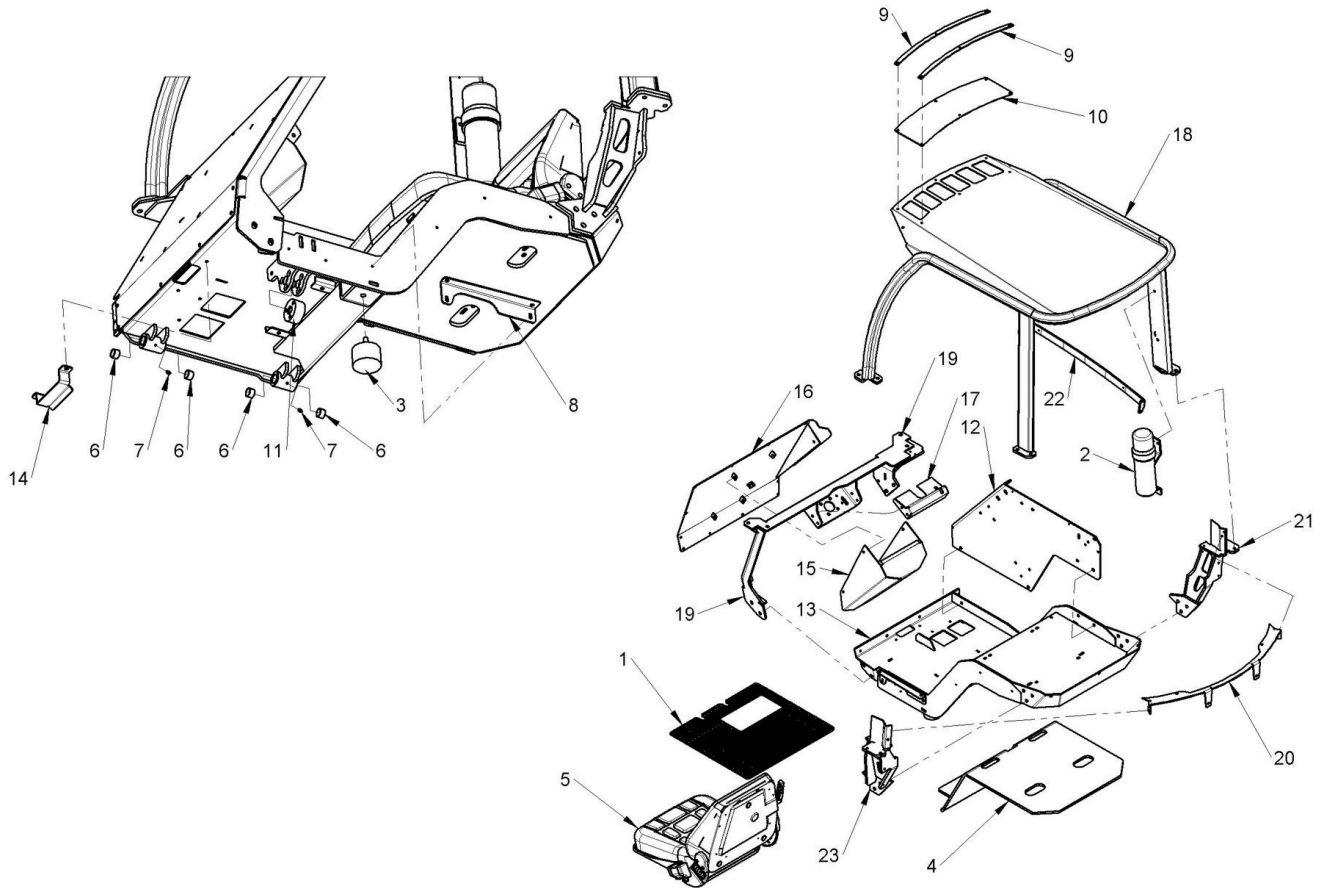
Draft and part list report
Serial n / code M333149 / C967000
Description MULTIONE SD 6.3

15	C033021	REVOLVING CONNECTION AT 90; 3/8" ORIENT./12L	2.00000
16	C036465	STEERING WHEEL BLUE	1.00000
17	C038510	STEERING UNIT S/SL/GT>2007/MIG 80CC	1.00000
18	C038515	STEERING COLUMN 250 MM	1.00000
19	C283040	PEDAL CONTROL SUPPORT	1.00000
20	C284223	FORWARD PEDAL	1.00000
21	C284224	BACKWARD PEDAL	1.00000



Component list [TAV. 11 M1 9-7-8 COUPLING PLATE]

Pos.	Code	Description	Q.ty
1	C019201	HEXAGON FLANGE BOLT M8x16 DIN 6921	4.00000
2	C020050	HEXAGON HEAD PIPE PLUG M6X16 UNI 5739	2.00000
3	C023040	M6 NORD LOCK WASHER	2.00000
4	C028252	SPRING PIN Ø6x40	2.00000
5	C220330	COMPRESSION SPRING	2.00000
6	C281827	LEFT LEVER, COUPLING PLATE	1.00000
7	C281860	COUPLING PLATE	1.00000
8	C281869	RIGHT LEVER, COUPLING PLATE	1.00000
9	C281870/L	LOCKIN ATTACHMENTS PIN	2.00000
10	C281871	CENTERING PIN PLATE	2.00000



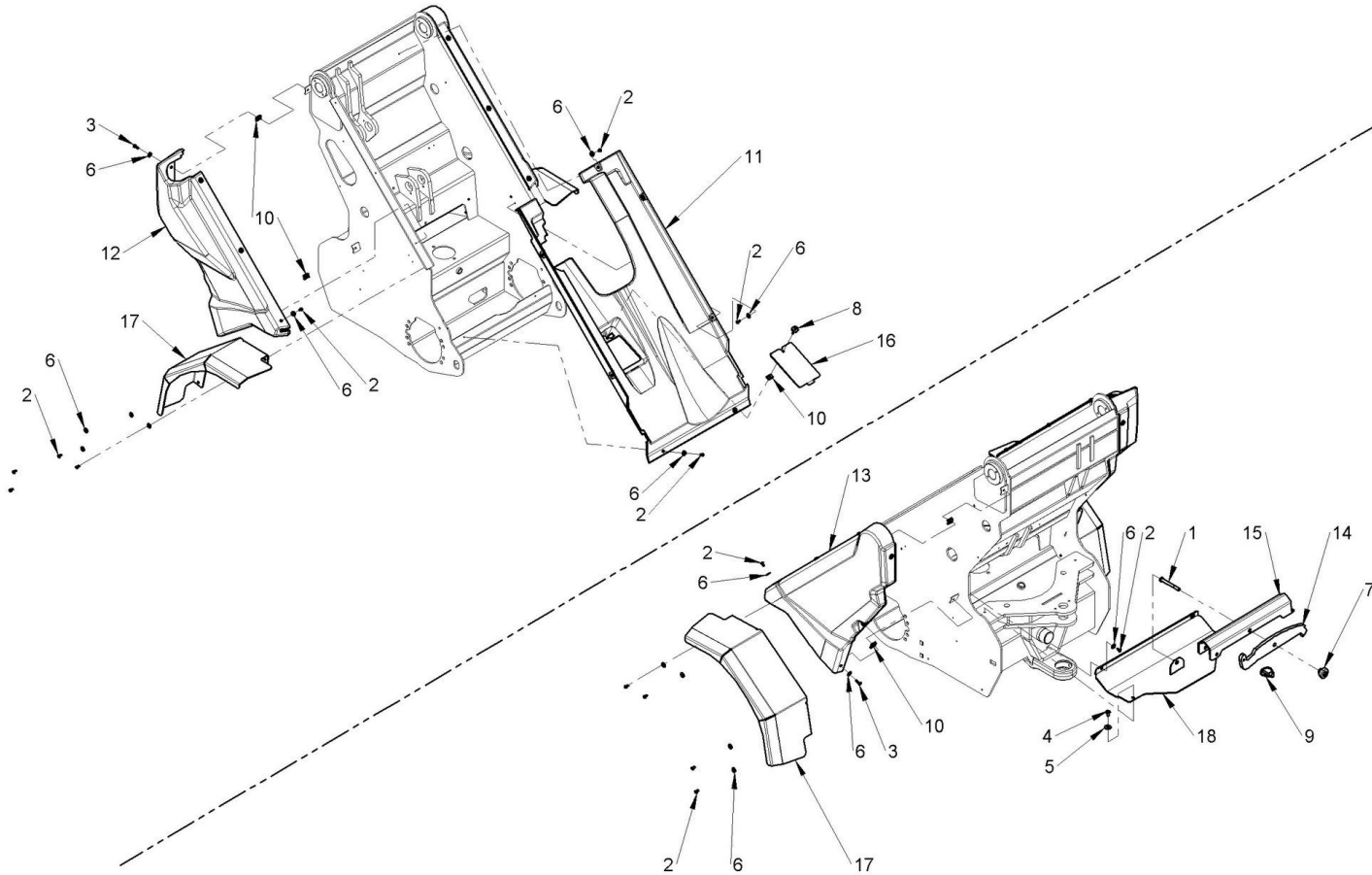
Component list [TAV. 12 SD 6-7-8-9 CABIN STRUCTURE]

Pos.	Code	Description	Q.ty
1	C029258	ROOF PADS FOR SD SERIE	1.00000
2	C030810	MANUAL HOLDER	1.00000
3	C035067	Ø75 H=50 SILENT BLOCK W/MALE THREAD M12x38	1.00000
4	C035163	ADHESIVE SOUND DEADENING	1.00000
5	C036752	SEAT WITH SPRING SC85/45	1.00000
6	C037647	Ø23-Ø20-10 BUSHING	4.00000
7	C090032	GREASER M6x1 UNI 7663A	2.00000
8	C281894	SUPPORT FOR PLASTIC STEP FRAME M1 3->10	1.00000
9	C282352	ROOF PLEXIGLASS FIXING PLATE	2.00000
10	C283051	ROOF PLEXIGLASS	1.00000
11	C284218	{{>desc}}	1.00000
12	C284225	FIANCO DX CABINA SD REV.01	1.00000
13	C284250	SUPPORTO SEDILE M1 SD	1.00000
14	C284259	POWER STERING HOSE GUIDE	1.00000



Draft and part list report
Serial n / code M333149 / C967000
Description MULTIONE SD 6.3

15	C284445	INNER POWER STEERING CASE	1.00000
16	C284448	FRONT CLOSING PLATE	1.00000
17	C284450	HAND BRAKE GUIDE	1.00000
18	C284570	REMOVABLE ROLL-BAR FRAME	1.00000
19	C284574	ROLL-BAR FRONT GIRDER	1.00000
20	C284587	PLASTIC COVER SUPPORT	1.00000
21	C284590	ROLL-BAR RIGHT SUPPORT	1.00000
22	C284592	DASHBOARD SUPPORT	1.00000
23	C284593	ROLL-BAR LEFT SUPPORT	1.00000



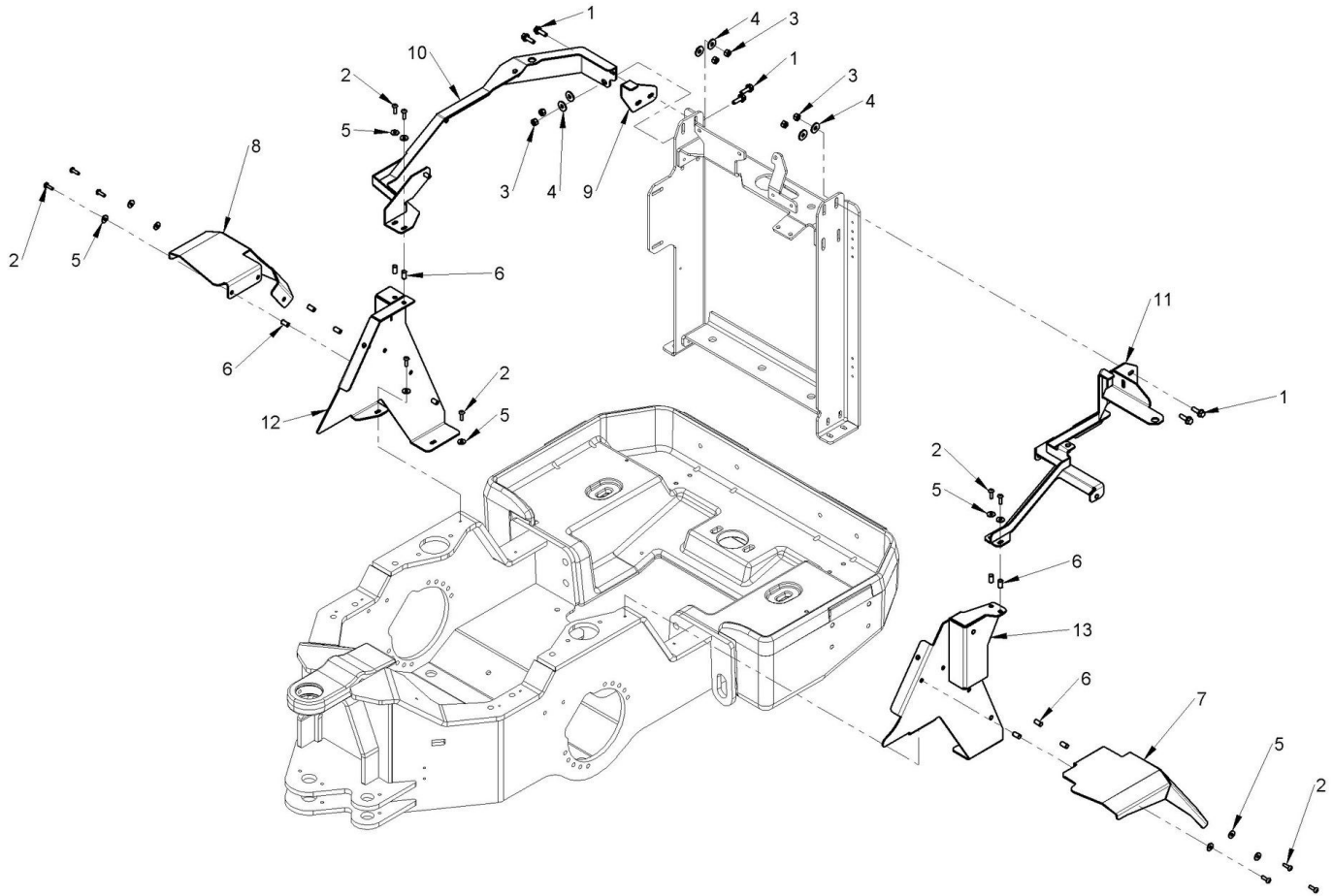
Component list [TAV. 13 M1 SD 6-7-8 FRONT COVER]

Pos.	Code	Description	Q.ty
1	C020114	SCREW TE 8.8 M10X90 ZB UNI 5737 FILETTO PARZIALE	1.00000
2	C020542	HEXAGON SOCKET OVAL HEAD SCREW M6x12 ZN ISO 7380	25.00000
3	C020548	HEXAGON SOCKET OVAL HEAD SCREW M6x20 ZN UNI/ISO 7380	4.00000
4	C020549	ISO 7380 M8x16 SCREW	2.00000
5	C023100	PLAIN WASHER LARGE SERIES M8 DIN 9021	2.00000
6	C023110	PLAIN WASHER LARGE SERIES M6 6.5X18X1.5 DIN9021	29.00000
7	C028015	FEMALE WHEEL KNOB M10	1.00000
8	C028024	THREE-LOBED LOWERED HANDWHEEL WITH M6x20 THREADED PIN	1.00000
9	C028201	SPRING PIN 6 MM	1.00000
10	C028285	MULTITHREAD U-TYPE NUT M6	5.00000
11	C041428	UNDER BOOM COVER	1.00000
12	C041525	FRONT RIGHT SIDE COVER	1.00000
13	C041526	FRONT LEFT SIDE COVER	1.00000
14	C281782	ARTICULATION LOCK	1.00000



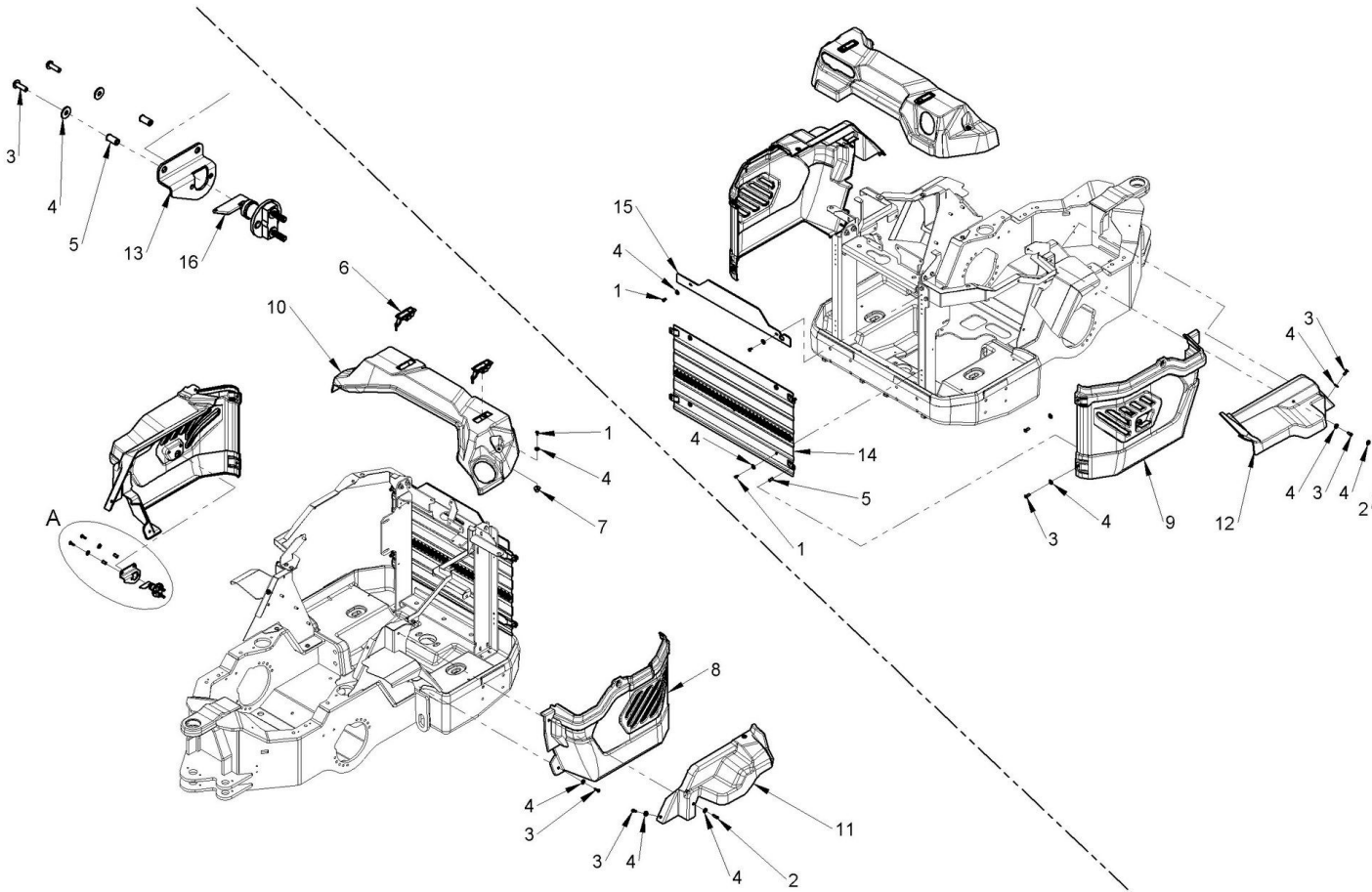
Draft and part list report
Serial n / code M333149 / C967000
Description MULTIONE SD 6.3

15	C281790	BOOM SAFETY LATCH	1.00000
16	C281893	OIL TANK INSPECTION DOOR	1.00000
17	C284252	FRONT MUDGUARD	2.00000
18	C284567	FRONT FRAME CLOSING PLATE	1.00000



Component list [TAV. 14 SD 6-7-8 REAR COVER SUPPORT]

Pos.	Code	Description	Q.ty
1	C019203	HEXAGON FLANGE BOLT M8X25 ISO 1665	6.00000
2	C020548	HEXAGON SOCKET OVAL HEAD SCREW M6x20 ZN UNI/ISO 7380	14.00000
3	C021502	SLOTTED AND CASTLE HEXAGON NUTS M8 DIN980	6.00000
4	C023100	PLAIN WASHER LARGE SERIES M8 DIN 9021	6.00000
5	C023110	PLAIN WASHER LARGE SERIES M6 6.5X18X1.5 DIN9021	14.00000
6	C028271	THREAD INSERT M6	21.00000
7	C284253	REAR LEFT MUDGUARD SD SERIES	1.00000
8	C284254	REAR RIGHT MUDGUARD	1.00000
9	C284267	RIGHT CLOSING PLATE ENGINE COVER	1.00000
10	C284270	UPPER RIGHT COVER SUPPORT	1.00000
11	C284274	SD SERIES UPPER LEFT COVER SUPPORT	1.00000
12	C284530	RIGHT INNER WHEEL ARCH	1.00000
13	C284535	LEFT INNER WHEEL ARCH	1.00000



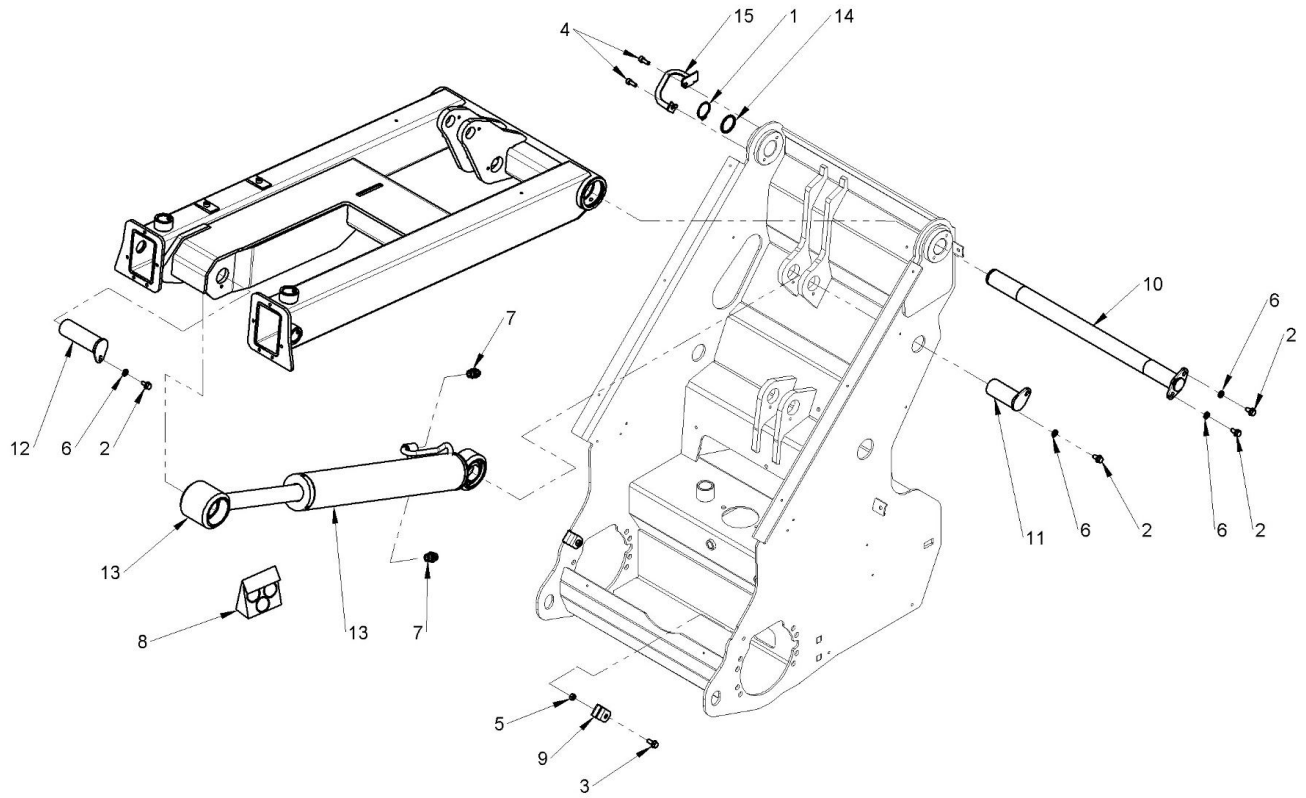
Component list [TAV. 15 SD 6-7-8]

Pos.	Code	Description	Q.ty
1	C020542	HEXAGON SOCKET OVAL HEAD SCREW M6x12 ZN ISO 7380	8.00000
2	C020546	HEXAGON SOCKET OVAL HEAD SCREW M6x25 ISO 7380	2.00000
3	C020548	HEXAGON SOCKET OVAL HEAD SCREW M6x20 ZN UNI/ISO 7380	12.00000
4	C023110	PLAIN WASHER LARGE SERIES M6 6.5X18X1.5 DIN9021	22.00000
5	C028271	THREAD INSERT M6	6.00000
6	C035045	LOCK HANDLE	2.00000
7	C035142	PARABOLIC SILENT BLOCK ĩ24 H=16	2.00000
8	C041421	REAR LEFT SIDE COVER	1.00000
9	C041422	REAR RIGHT SIDE COVER	1.00000
10	C041536	OVER ENGINE COVER	1.00000
11	C041537	UNDER CABIN LEFT SIDE COVER	1.00000
12	C041538	UNDER CABIN RIGHT SIDE COVER	1.00000
13	C281889	BATTERY SWITCH SUPPORT	1.00000
14	C283067	RADIATOR NET	1.00000



Draft and part list report
Serial n / code M333149 / C967000
Description MULTIONE SD 6.3

15	C283074	PLATE ABOVE RADIATOR NET	1.00000
16	FF180/0034.0303	BATTERY SWITCH	1.00000



Component list [TAV. 16 SD 6.3 LIFT BOOM]

Pos.	Code	Description	Q.ty
1	C018300	SEGER RINGI ĩ40 UNI 7435	1.00000
2	C019201	HEXAGON FLANGE BOLT M8x16 DIN 6921	4.00000
3	C019202	HEXAGON FLANGE BOLT M8X20 DIN 6921	2.00000
4	C020231	SCREW TCCEI M8X20	2.00000
5	C021502	SLOTTED AND CASTLE HEXAGON NUTS M8 DIN980	2.00000
6	C023041	NORD LOCK WASHER M8	4.00000
7	C033001	NIPPLES 3/8" G / 12L	2.00000
8		{{>desc}}	1.00000
9	C277807	BOOM STOPPER ON FRONT FRAME	2.00000
10	C281623	∅40x635 PIN	1.00000
11	C281765	FLANGED PIN ĩ40 L=90	1.00000
12	C281799	PIN ĩ40 L=120	1.00000
13	C283099	LIFTING BOOM CYLINDER M1 6.3	1.00000
14	C284489	∅40-∅46 TH 3 SPACER	1.00000

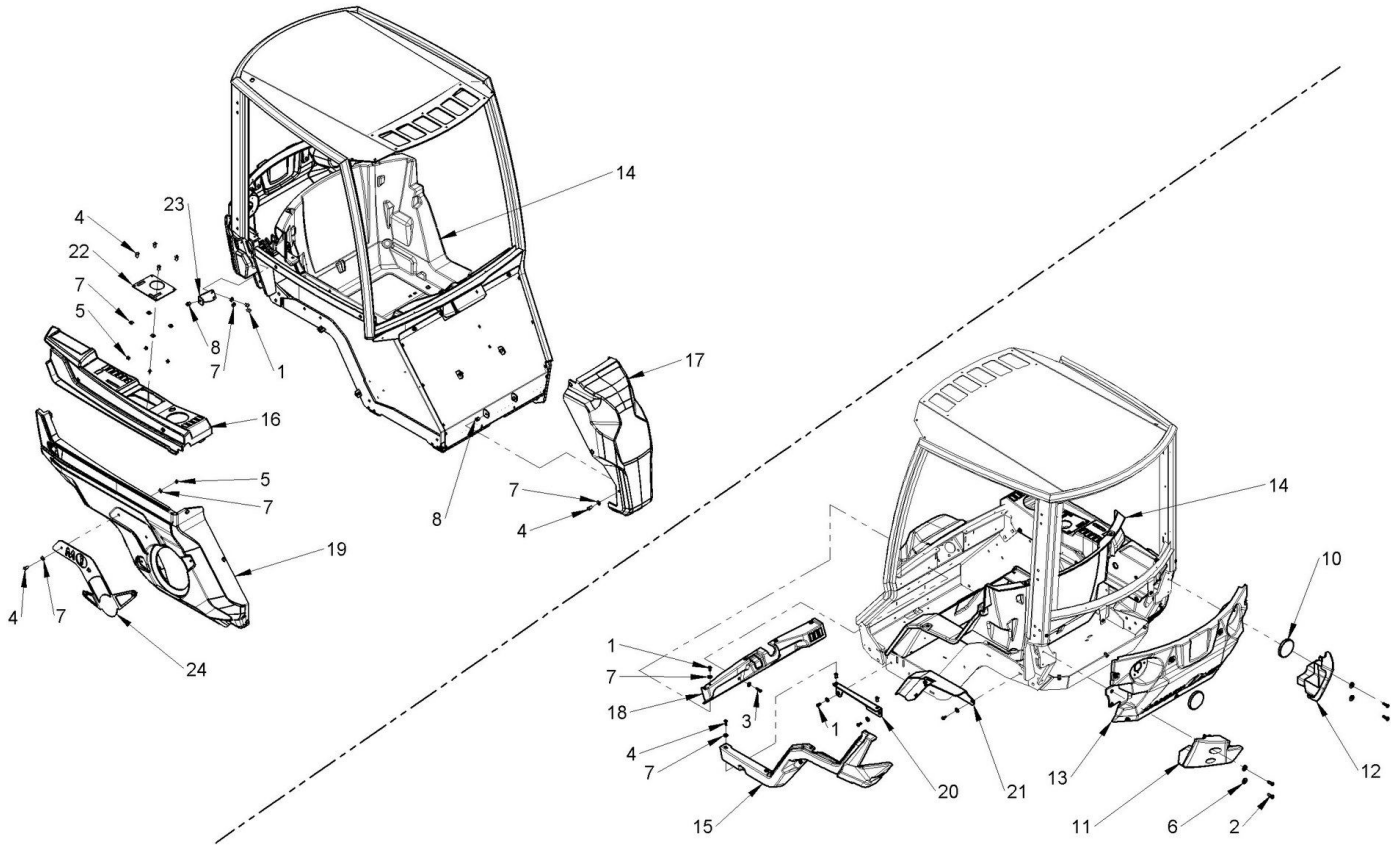


Draft and part list report
Serial n / code M333149 / C967000
Description MULTIONE SD 6.3

15 C284623

REMOVABLE ROLL-BAR FRAME

1.00000



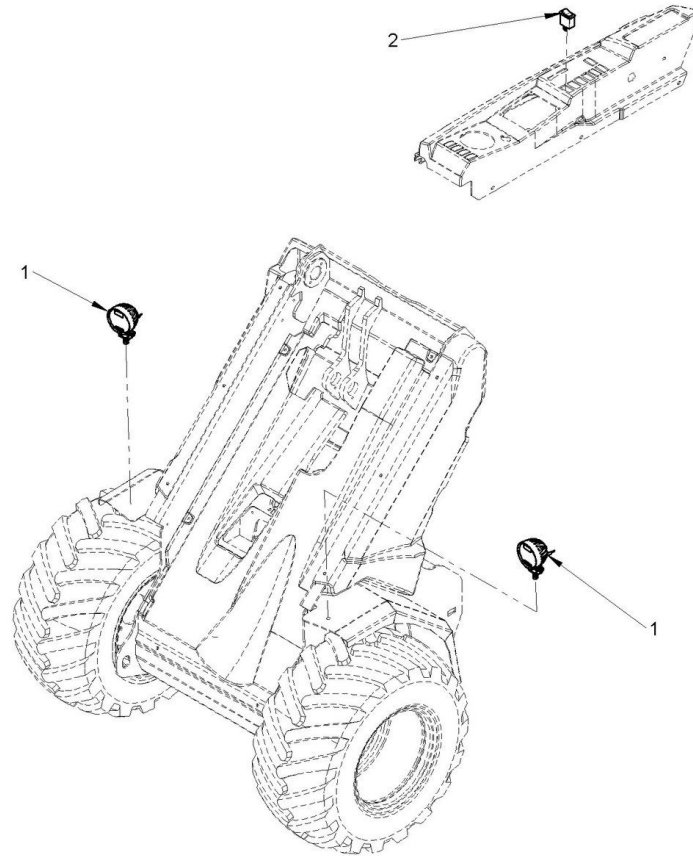
Component list [TAV. 17 SD 6-7-8-9 CABIN COVER]

Pos.	Code	Description	Q.ty
1	C020145	HEXAGON SOCKET OVAL HEAD SCREW M6x16 ISO 7380	20.00000
2	C020543	HEXAGON SOCKET OVAL HEAD SCREW M8x25 ISO 7380	4.00000
3	C020546	HEXAGON SOCKET OVAL HEAD SCREW M6x25 ISO 7380	4.00000
4	C020548	HEXAGON SOCKET OVAL HEAD SCREW M6x20 ZN UNI/ISO 7380	36.00000
5	C021104	PREVAILING TORQUE-TYPE HEXAGONAL NUTS WITH POLYAMIDE RING M6 UNI 7473	12.00000
6	C023100	PLAIN WASHER LARGE SERIES M8 DIN 9021	4.00000
7	C023110	PLAIN WASHER LARGE SERIES M6 6.5X18X1.5 DIN9021	68.00000
8	C028271	THREAD INSERT M6	27.00000
9	C028285	MULTITHREAD U-TYPE NUT M6	1.00000
10	C034018	Ø80 RED RETRO REFLECTOR	2.00000
11	C041386	LEFT RUBBER PROTECTION MK-MZ	1.00000
12	C041387	RIGHT RUBBER PROTECTION MK-MZ	1.00000
13	C041427	BACK CABIN COVER WITH NO A/C	1.00000
14	C041437	UNDER SEAT COVER	1.00000



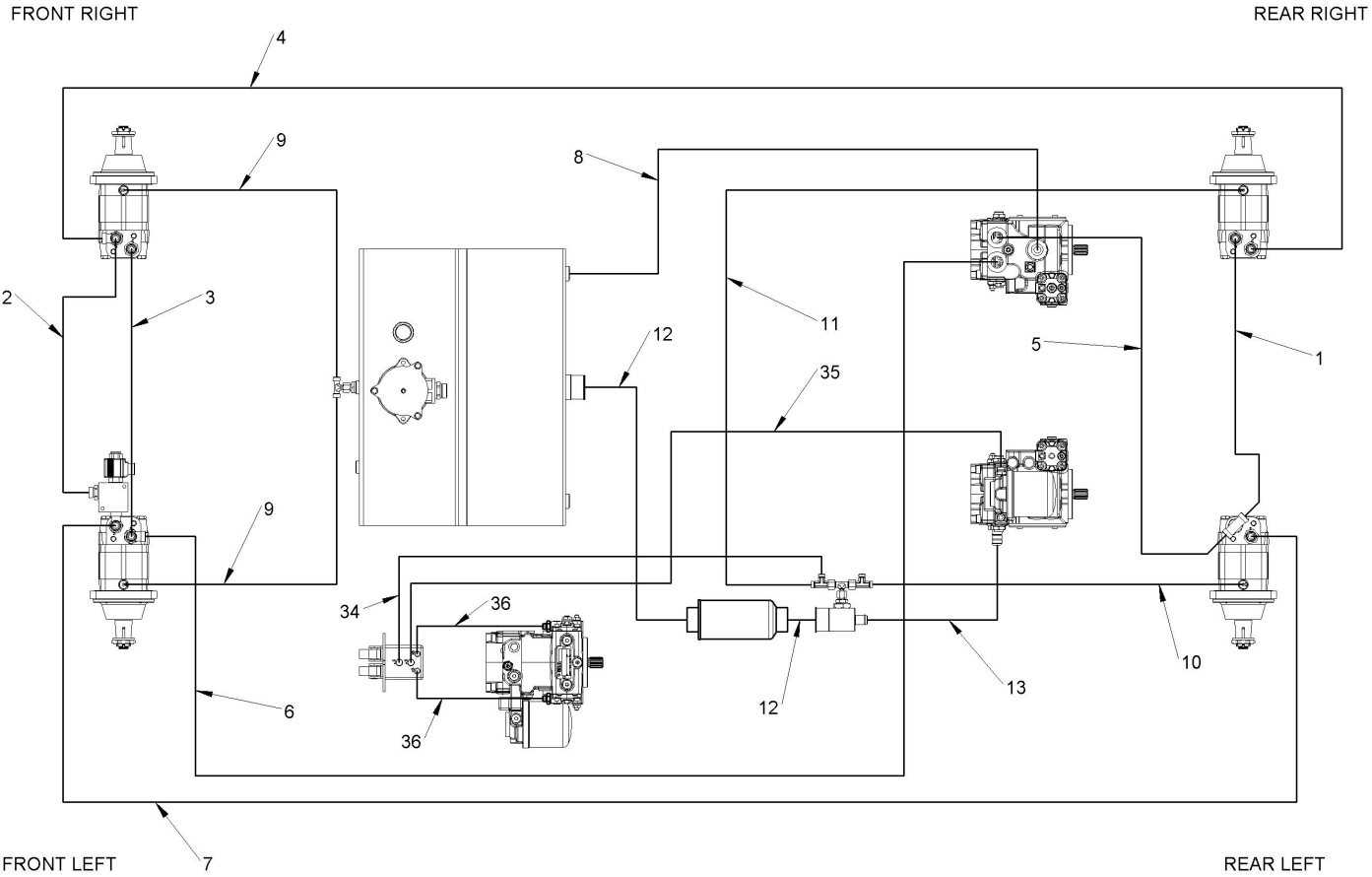
Draft and part list report
Serial n / code M333149 / C967000
Description MULTIONE SD 6.3

15	C041443	LEFT DOOR SLAM	1.00000
16	C041490	RIGHT DASHBOARD FOR SIMPLE JOYSTICK	1.00000
17	C041533	POWER STERING COVER	1.00000
18	C041535	CRUSCOTTO INTERNO CABINA M1 SD	1.00000
19	C041541	RIGHT SIDE CABIN	1.00000
20	C281894	SUPPORT FOR PLASTIC STEP FRAME M1 3->10	1.00000
21	C281895	UNDER SEAT COVER SUPPORT REV.01	1.00000
22	C283068	JOYSTICK LEVER PLATE	1.00000
23	C284257	RIGHT SIDE COVER SUPPORT	1.00000
24	C284258	OIL COOLER COVER PLATE	1.00000



Component list [TAV. 18 WORK LIGHT]

Pos.	Code	Description	Q.ty
1	C036101	LED WORKING LIGHT WITH BRACKET	2.00000
2	C036154	WORK LIGHT SWITCH	1.00000
3	C041490	RIGHT DASHBOARD FOR SIMPLE JOYSTICK	1.00000



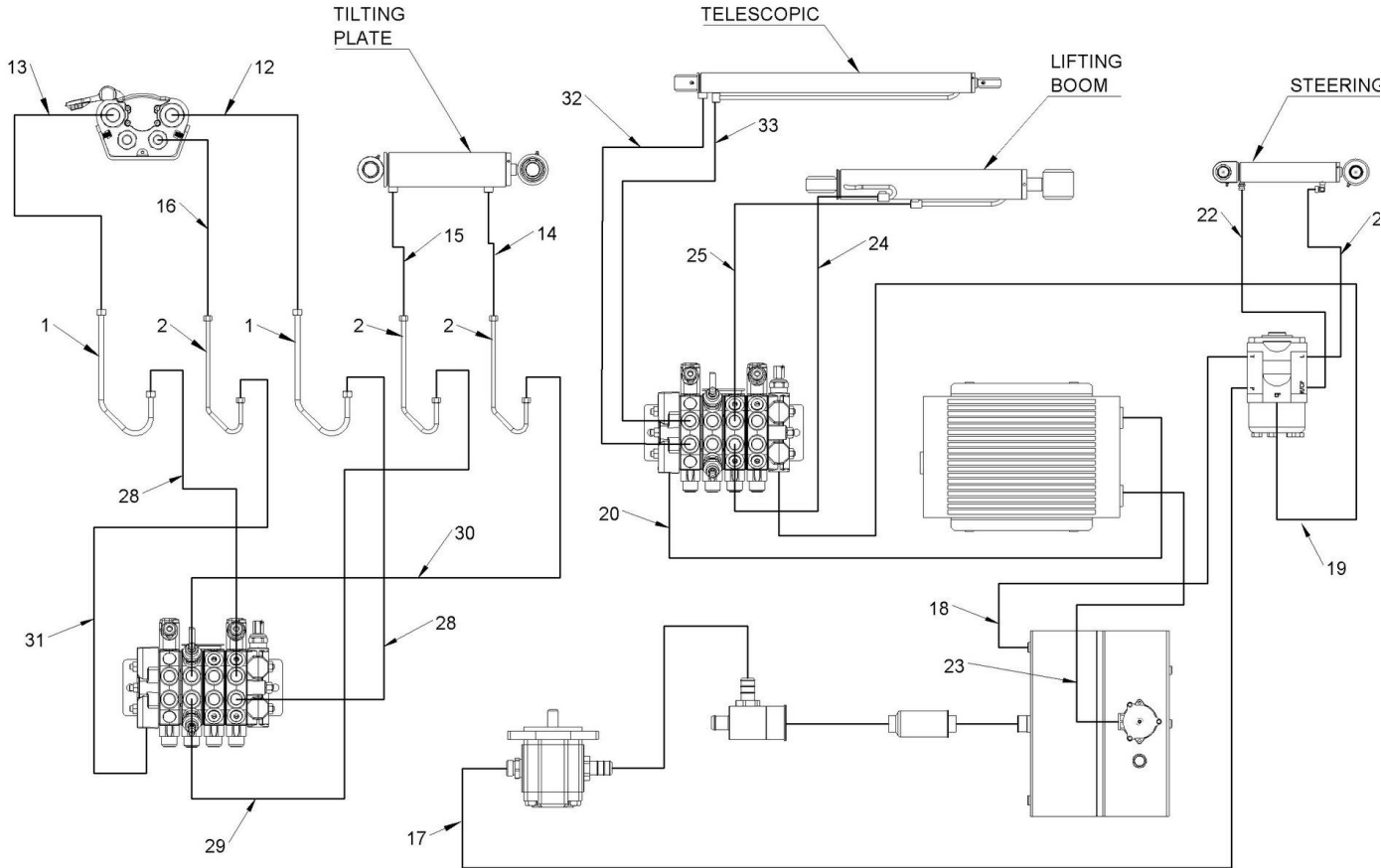
Component list [TAV. 19 SD 6 HYDRAULIC DIAGRAM]

Pos.	Code	Description	Q.ty
1	C810373/1	{{>desc}}	1.00000
2	C810373/2	{{>desc}}	1.00000
3	C810373/3	{{>desc}}	1.00000
4	C810373/4	{{>desc}}	1.00000
5	C810373/5	{{>desc}}	1.00000
6	C810373/6	{{>desc}}	1.00000
7	C810373/7	{{>desc}}	1.00000
8	C810373/8	{{>desc}}	1.00000
9	C810373/9	{{>desc}}	1.00000
10	C810373/10	{{>desc}}	1.00000
11	C810373/11	{{>desc}}	1.00000
12	C030103	SUCTION OIL PIPE ĩ51x61	1.00000
13	C030102	OIL SUCTION PIPE ĩ19x28	1.00000
34	C810373/34	{{>desc}}	1.00000



Draft and part list report
Serial n / code M333149 / C967000
Description MULTIONE SD 6.3

35	C810373/35	{{>desc}}	1.00000
36	C810427/36	{{>desc}}	1.00000



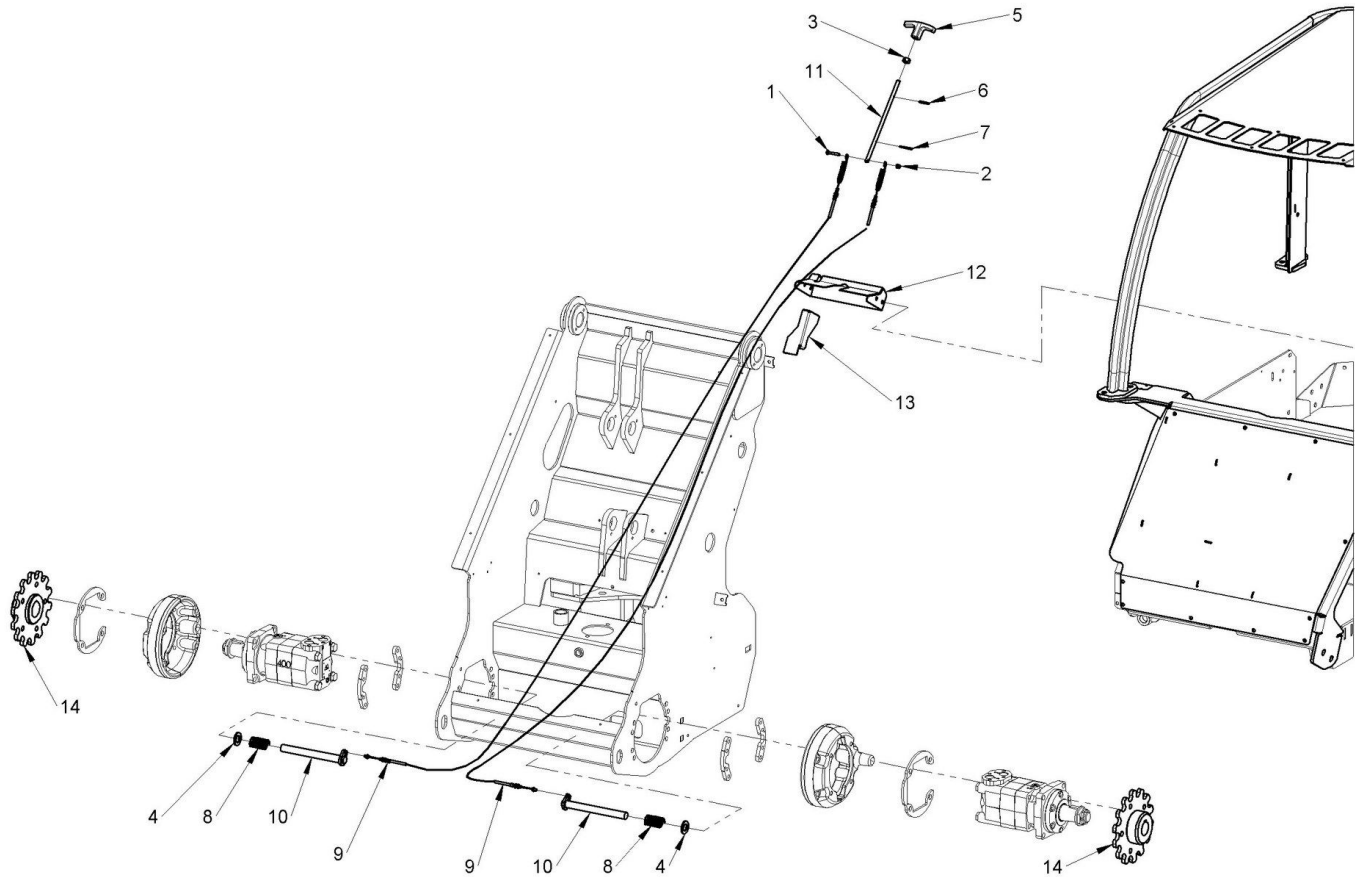
Component list [TAV. 20 SD 6-7-8 SERVICES HYDRAULIC DIAGRAM]

Pos.	Code	Description	Q.ty
1	C810372/1	{{>desc}}	1.00000
2	C810372/3	{{>desc}}	1.00000
12	C810373/12	{{>desc}}	1.00000
13	C810373/13	{{>desc}}	1.00000
14	C810373/14	{{>desc}}	1.00000
15	C810373/15	{{>desc}}	1.00000
16	C810373/16	{{>desc}}	1.00000
17	C810373/17	{{>desc}}	1.00000
18	C810373/18	{{>desc}}	1.00000
19	C810373/19	{{>desc}}	1.00000
20	C810373/20	{{>desc}}	1.00000
21	C810373/21	{{>desc}}	1.00000
22	C810373/22	{{>desc}}	1.00000
23	C810373/23	{{>desc}}	1.00000



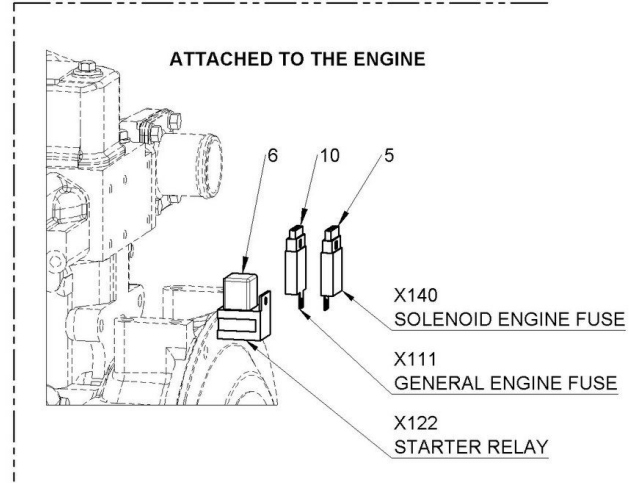
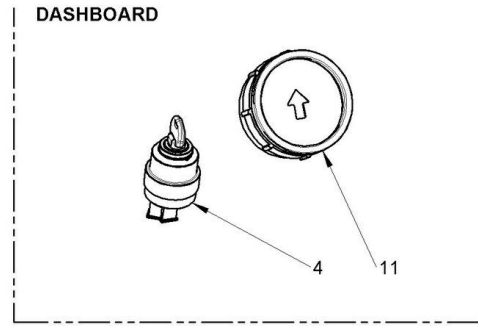
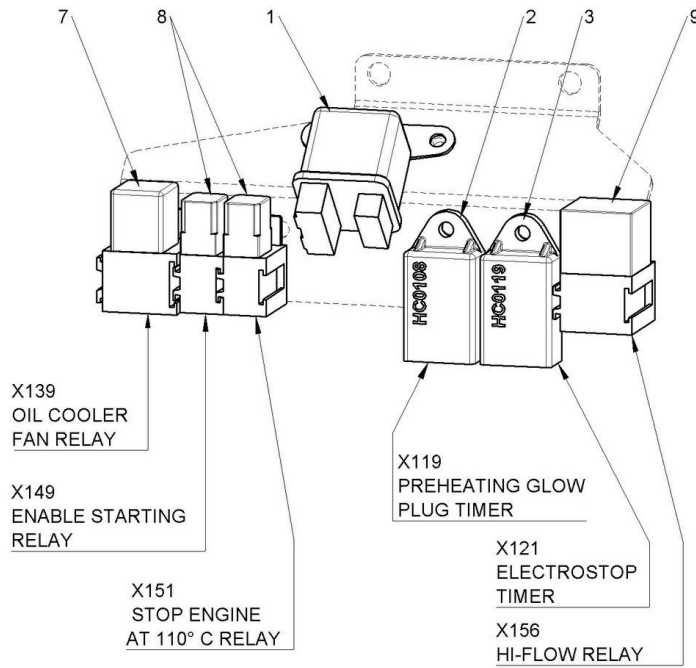
Draft and part list report
Serial n / code M333149 / C967000
Description MULTIONE SD 6.3

24	C810373/24	{{>desc}}	1.00000
25	C810373/25	{{>desc}}	1.00000
26	C810373/26	{{>desc}}	1.00000
27	C810373/27	{{>desc}}	1.00000
28	C810373/28	{{>desc}}	1.00000
29	C810373/29	{{>desc}}	1.00000
30	C810373/30	{{>desc}}	1.00000
31	C810373/31	{{>desc}}	1.00000
32	C810373/32	{{>desc}}	1.00000
33	C810373/33	{{>desc}}	1.00000



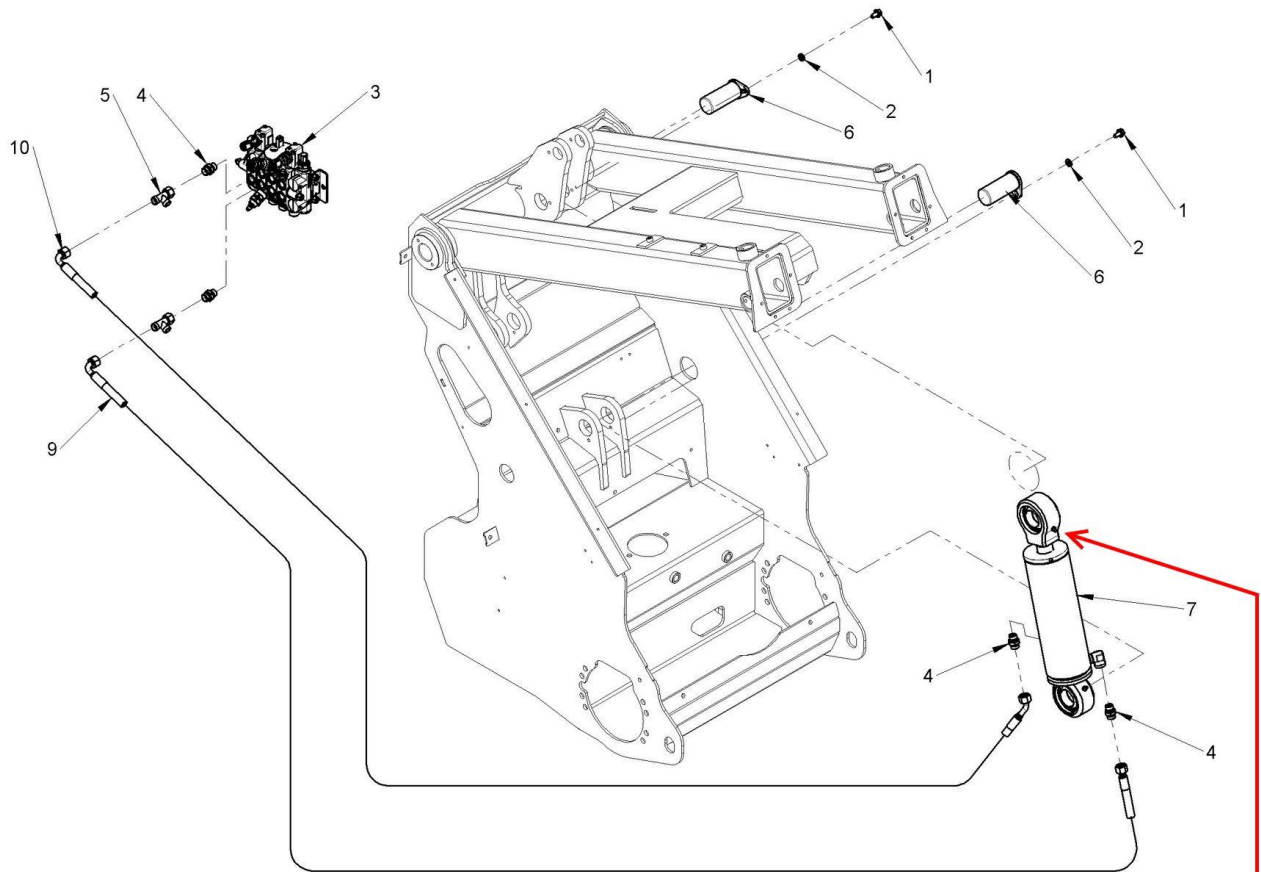
Component list [TAV. 22 HAND BRAKE]

Pos.	Code	Description	Q.ty
1	C020054	HEXAGON HEAD SCREW M6x35 ZB UNI 4017	1.00000
2	C021104	PREVAILING TORQUE-TYPE HEXAGONAL NUTS WITH POLYAMIDE RING M6 UNI 7473	1.00000
3	C021194	NUT E 6S M10 ALTO ZB UNI 5587	1.00000
4	C023112	FLAT WASHER, M20	2.00000
5	C028027	BRAKE HANDLE,ORANGE	1.00000
6	C028251	SPRING PIN Ø4x30 DIN 1481 UNI 6873/71	1.00000
7	C028268	4x40 ISO 8752 Spring type straight pins	1.00000
8	C029521	SPRING 29X60X2,2	2.00000
9	C038747	BRAKE CABLE 6/7/8 SD	2.00000
10	C281751	PARKING BRAKE PIN	2.00000
11	C281754	{{>desc}}	1.00000
12	C284450	HAND BRAKE GUIDE	1.00000
13	C284451	FUSE SUPPORT	1.00000
14	C284550	WHEEL HUB	2.00000



Component list [TAV. 23 ELECTRIC PARTS]

Pos.	Code	Description	Q.ty
1	FF163/119650-77911	GLOW RELAY FOR YANMAR ENGINE	1.00000
2	FF163/128300-77920	GLOW PLUG TIMER HC0108	1.00000
3	FF163/129211-77920	ELETTRO STOP TIMER HC0119	1.00000
4	FF180/0005.0061	IGNITION SWITCH for S500/S600/SL800/GT900	1.00000
5	C038163	30A MAXI FUSE	1.00000
6	FF180/30.45.09448	POWER RELAY 12V/70A	1.00000
7	FF180/30.45.52003	REALY 12 VOLT WITH DIODE INSIDE	1.00000
8	FF180/30.45.520004	MICRO RELAY NAIS	2.00000
9	FF180/01171028	RELE' 12V FOR JOYSTICK 11 FUNCTIONS	1.00000
10	C038164	40A MAXI FUSE	1.00000
11	FF180/08700058.00	LCD DECK BLU DIAL 5->10 SER. YANMAR	1.00000

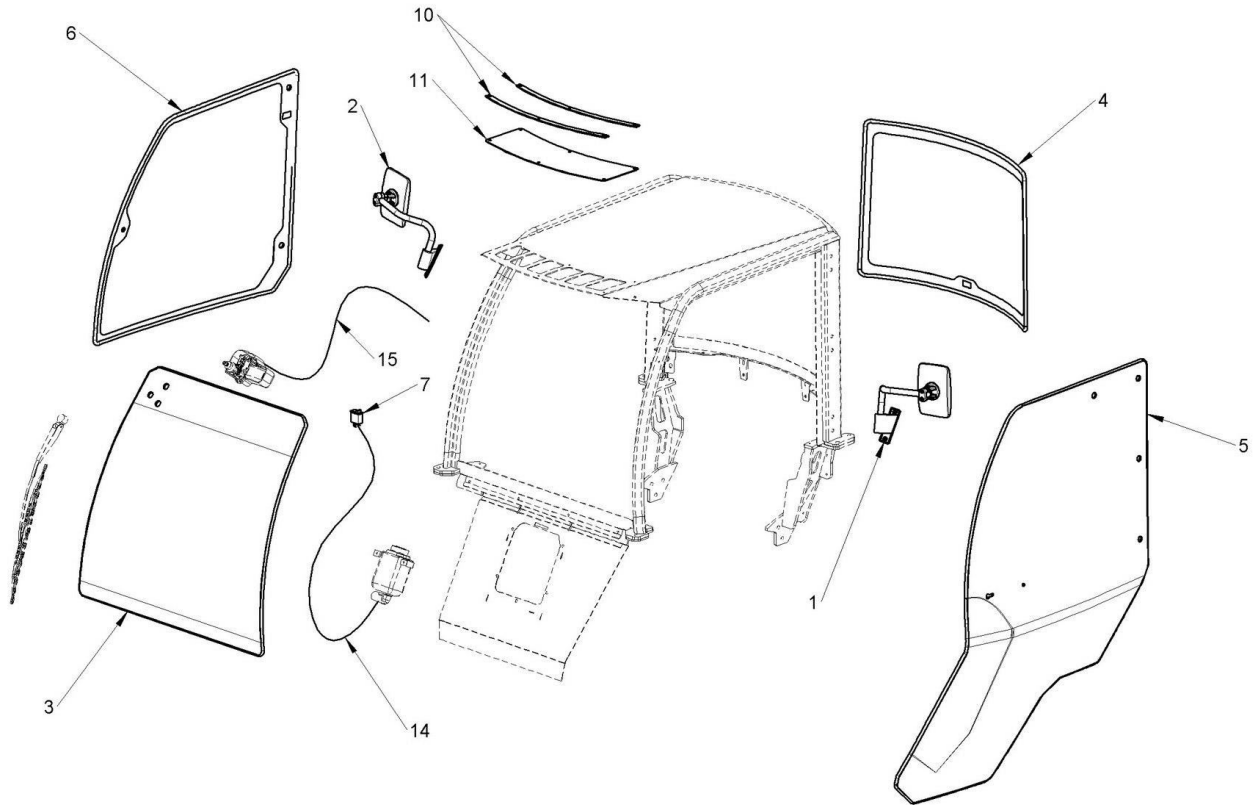


MAKE SURE THE SLAVE CYLINDER ROD DIAMETER IS 35 mm

Component list [TAV. 30 M1 SD 6 SELF LEVELING (OPTIONAL)]

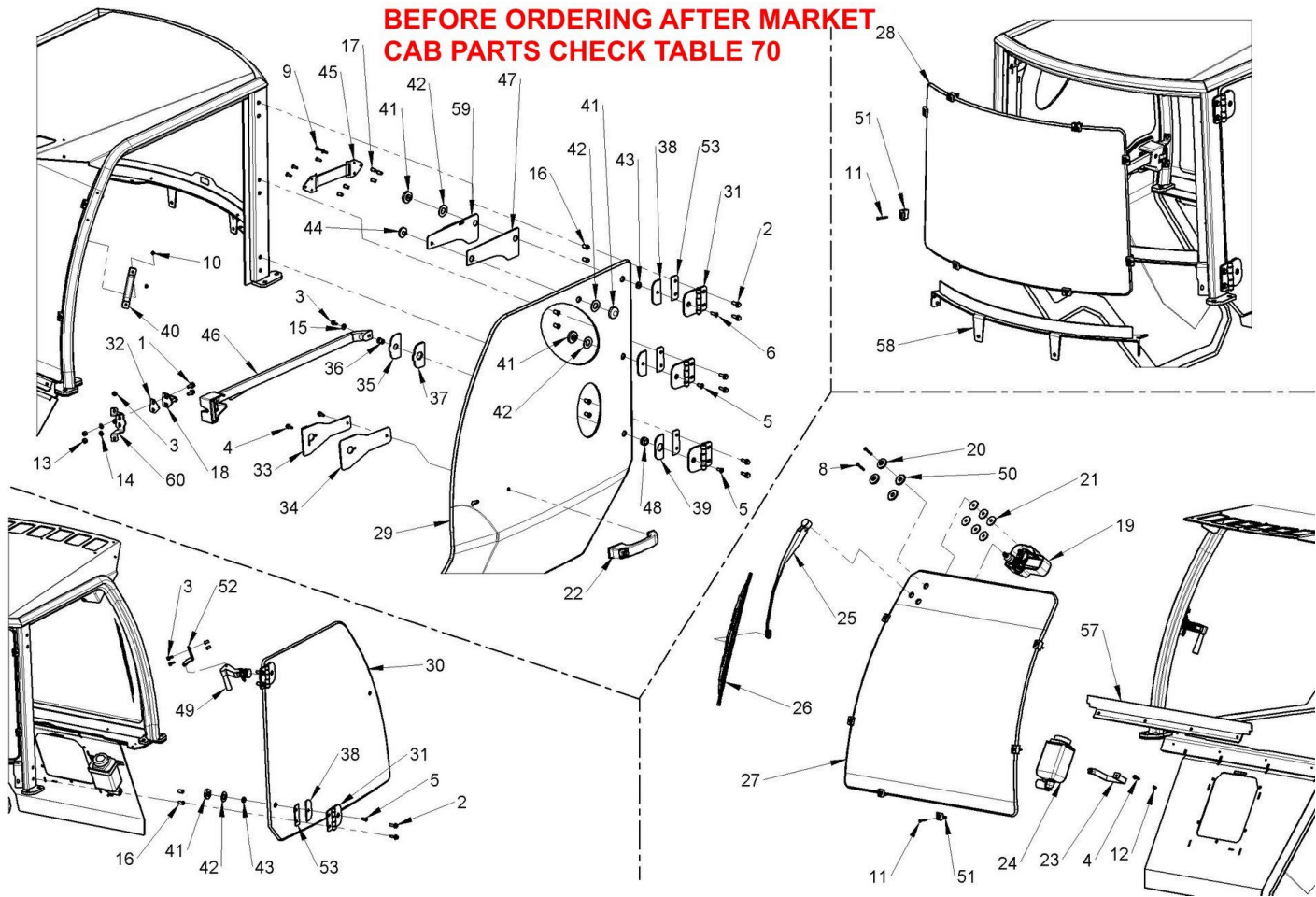
Pos.	Code	Description	Q.ty
1	C019201	HEXAGON FLANGE BOLT M8x16 DIN 6921	2.00000
2	C023041	NORD LOCK WASHER M8	2.00000
3	C030759	S500 HYDRAULIC DISTRIBUTOR >07-2012 WITH VALVES	1.00000
4	C033001	NIPPLES 3/8" G / 12L	4.00000
5	C033032	T-CONNECTION F-M-M 12L	2.00000
6	C281765	FLANGED PIN ĩ40 L=90	2.00000
7	C284680	SELF-LEVELING CYLINDER M1 6.3	1.00000
8	C810373/30	{{>desc}}	1.00000
9	C810373/31	{{>desc}}	1.00000

BEFORE ORDERING AFTER MARKET CAB PARTS CHECK TABLE 70



Component list [TAV. 32 M1 SD GLASS CABIN]

Pos.	Code	Description	Q.ty
1	C028021	LEFT REAR VIEW MIRROR FOR S600/SL800/GT900 CABIN	1.00000
2	C028022	RIGHT REAR VIEW MIRROR FOR S600/SL800/GT900 CABIN	1.00000
3	C034256	WINDSCREEN GLASS WITH SEAL M1 6->9	1.00000
4	C034257	REAR GLASS WITH SEAL M1 SD 6->9	1.00000
5	C034258	DOOR GLASS WITH SEAL M1 SD 6->9	1.00000
6	C034259	RIGHT SIDE GLASS WITH SEAL M1 SD 6->9	1.00000
7	C036161	WINDSCREEN WASHER SWITCH	1.00000
8	C038031	WATER PUMP WIRING FOR WIPER M1	1.00000
9	C038093	WIPER WIRING	1.00000
10	C282352	ROOF PLEXIGLASS FIXING PLATE	2.00000
11	C283051	ROOF PLEXIGLASS	1.00000



Component list [TAV. 33 M1 SD CABIN DETAILS]

Pos.	Code	Description	Q.ty
1	C019202	HEXAGON FLANGE BOLT M8X20 DIN 6921	2.00000
2	C019203	HEXAGON FLANGE BOLT M8X25 ISO 1665	10.00000
3	C019211	M6x16 BOLT UNI 1665	5.00000
4	C019212	M6x20 BOLT UNI 1665	4.00000
5	C020155	M8X20 SCREW UNI5933	4.00000
6	C020159	SCREW TSPEI 10.9 M8x25 ZB UNI5933	1.00000
7	C020167	HEXAGON SOCKET COUNTERSUNK HEAD CAP SCREW 10.9 M6x30 ZN UNI5933	1.00000
8	C020168	SCREW TSPEI 10.9 M6x40 ZN UNI5933	2.00000
9	C020187	SCREW TSPEI 10.9 M6X20 UNI5933 ZN	5.00000
10	C020212	HEXAGON SOCKET HEAD CAP SCREW M6X25 ZB UNI EN ISO 4762	2.00000
11	C020271	SCREW TSPTC 10.9 M4x35 UNI5933	14.00000
12	C021104	PREVAILING TORQUE-TYPE HEXAGONAL NUTS WITH POLYAMIDE RING M6 UNI 7473	2.00000
13	C021502	SLOTTED AND CASTLE HEXAGON NUTS M8 DIN980	2.00000
14	C023071	PLAIN WASHER M8 8.4x16x1.6 UNI6592	2.00000

15	C023110	PLAIN WASHER LARGE SERIES M6 6.5X18X1.5 DIN9021	1.00000
16	C028270	THREAD INSERT M8	10.00000
17	C028271	THREAD INSERT M6	9.00000
18	C034023	CABIN DOOR HOLD LATCH	1.00000
19	C034053	WINDSCREEN WIPER ENGINE ITG 12V 90° FOR CABIN	1.00000
20	C034070	PLASTIC STUD FOR GLASS CABIN	2.00000
21	C034072	RUBBER WASHER FOR GLASS CABIN	6.00000
22	C034078	DOOR OUTER LOCK FOR	1.00000
23	C034090	COOLANT TANK BRACKET	1.00000
24	C034170	WIND SCREEN WASHER WATER TANK	1.00000
25	C034190	WIPER ARM FOR CABIN 5 -> 10	1.00000
26	C034191	WIPER BRUSH FOR CABIN 5 -> 10	1.00000
27	C034256	WINDSCREEN GLASS WITH SEAL M1 6->9	1.00000
28	C034257	REAR GLASS WITH SEAL M1 SD 6->9	1.00000
29	C034258	DOOR GLASS WITH SEAL M1 SD 6->9	1.00000
30	C034259	RIGHT SIDE GLASS WITH SEAL M1 SD 6->9	1.00000
31	C034500	METAL HINGE	5.00000
32	C034501	UNDER HOLD LATCH PLASTIC	1.00000
33	C034503	LOCK HOLDER PLATE	1.00000
34	C034504	INNER DOOR HANDLE SEAL	1.00000
35	C034505	SHAPE BAR LOCK HOLDER PLATE	1.00000
36	C034506	KNURLED BUSH	1.00000
37	C034507	REAR BAR RUBBER	1.00000
38	C034508	SMALL HOLE HINGE RUBBER	4.00000
39	C034509	BIG HOLE HINGE RUBBER	1.00000
40	C034510	GRAB HANDLE	1.00000
41	C034516	INNER STUD CABIN	5.00000
42	C034517	Ø40-Ø20-1,5 SEAL	5.00000
43	C034519	Ø20-Ø8-6 SPACER	3.00000
44	C034522	STUD WITH M8X13 PIN	1.00000
45	C034523	TIRANTE PORTA IN NYLON	1.00000
46	C034531	LOCK BAR SHAPE	1.00000
47	C034532	INNER BELT SEAL	1.00000
48	C035038	RUBBER TOP FOR CABIN GLASSES	1.00000
49	C035041	JERKY COMPASS OPENING FOR CABIN	1.00000
50	C274255	GLASS SEAL FOR CABIN	2.00000
51	C274258	GLASS HOLDER FOR CABIN	14.00000
52	C282324	JERKY COMPASS BRACKET	1.00000
53	C282369	HINGE SPACER FOR CABIN M1 6 -> 10	5.00000
54	C284470	REMOVABLE ROLL-BAR FRAME	1.00000
55	C284603	APPOGGIO ANT. ROLLBAR REV.03	1.00000
56	C284608	SCUDO ANT. DI CHIUSURA REV.04	1.00000
57	C284615	FRONTAL GLASS SUPPORT	1.00000
58	C284620	REMOVABLE ROLL-BAR FRAME	1.00000
59	C284625	DOOR BELT FIXING	1.00000

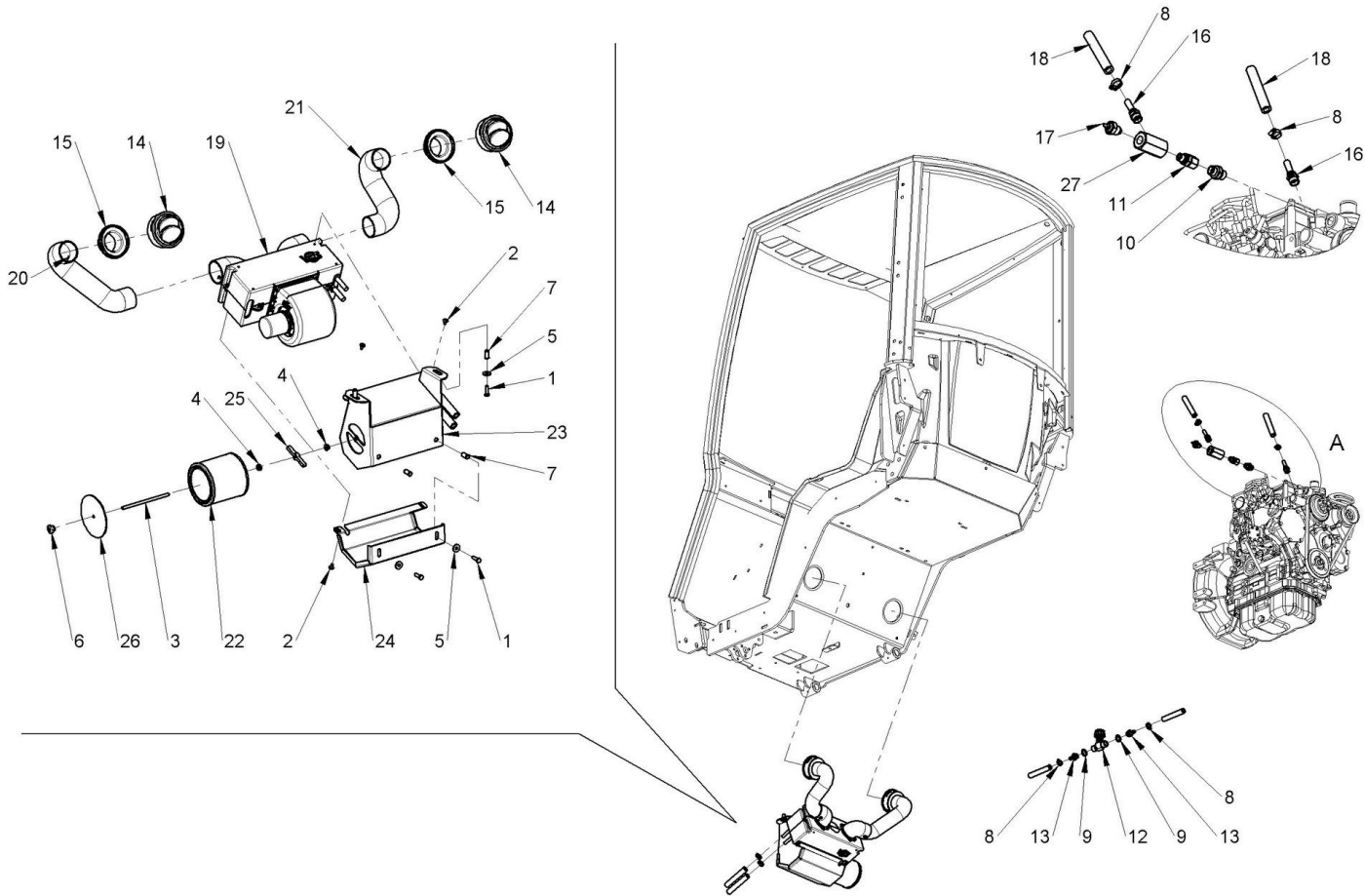


Draft and part list report
Serial n / code M333149 / C967000
Description MULTIONE SD 6.3

60 C284626

DOOR LATCH SUPPORT

1.00000



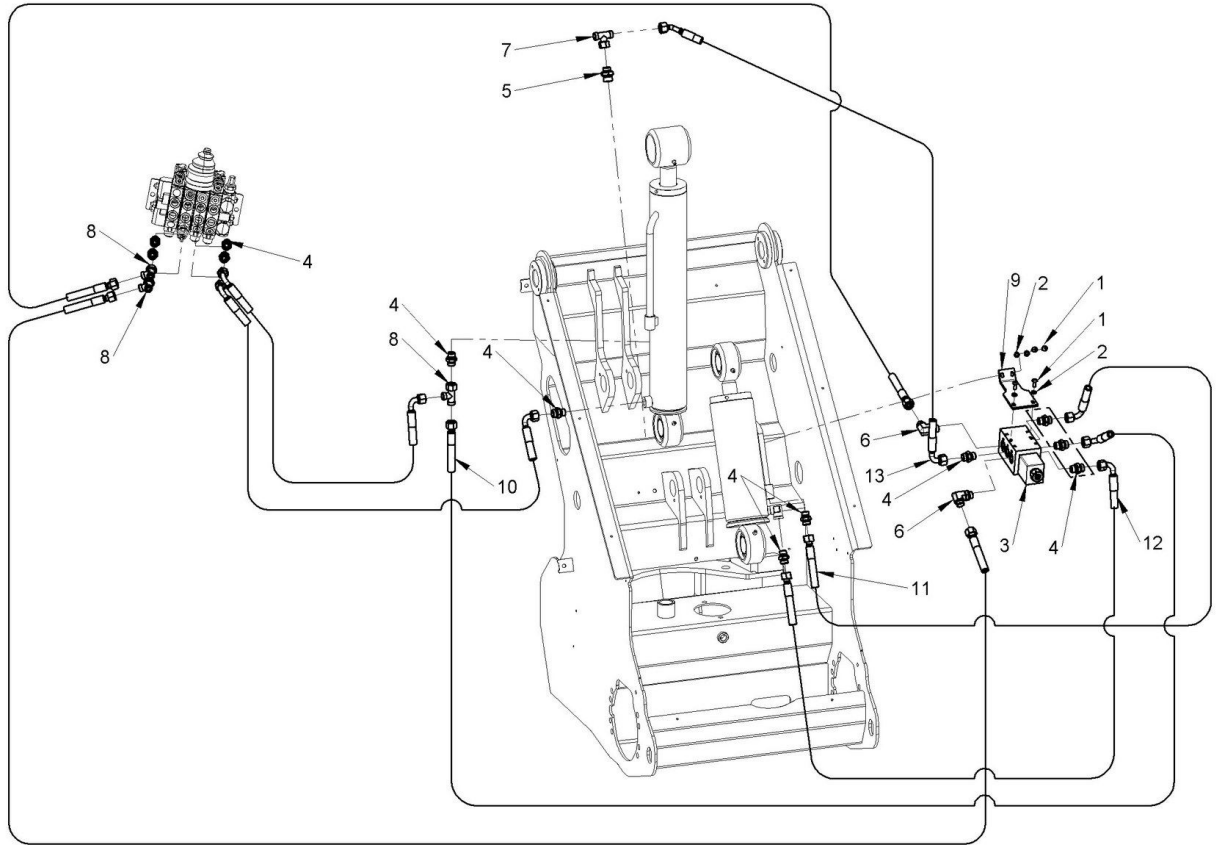
Component list [TAV. 34 SD 6.3 HEATING SYSTEM]

Pos.	Code	Description	Q.ty
1	C020051	ISO 4017 M6x20 SCREW	4.00000
2	C033000	10L/10L MALE STUD COUPLING	1.00000
3	C030547	BONDED WASHER 3/8" GAS	2.00000
4	C029038	STEEL BAND 10-16	6.00000
5	C028271	THREAD INSERT M6	4.00000
6	C028028	THREE-LOBED HANDWHEEL M6 PASS-THROUGH	1.00000
7	C023110	PLAIN WASHER LARGE SERIES M6 6.5X18X1.5 DIN9021	4.00000
8	C021018	NUT E 6S M6 SERPRESS	2.00000
9	C020651	THREADED RODS M6 L=130	1.00000
10	C020554	SELF THREADER SCREW 4.8X13	6.00000
11	C033118	M 1/4G FG 10L STRAIGHT JOINT	1.00000
12	C034005	METAL FAUCET FOR CAB HEATING	1.00000
13	C034006	STRAIGHT FITTING DIA. 10 MM - 3/8"	2.00000
14	C034008	∅ 76 mm AIR PORT	2.00000



Draft and part list report
Serial n / code M333149 / C967000
Description MULTIONE SD 6.3

15	C034009	AIR PORT REDUCTION 82->76/45 mm	2.00000
16	C034092	PORTAGOMMA DRITTO M16x1,5 (10L) - TUBO 3/8" (Ø10)	2.00000
17		{{>desc}}	1.00000
18	C035034	HOT WATER RUBBER HOSE 10X17	6.00000
19	C035149	HEATHER MULTIONE M1 5->10, 6SD->9SD	1.00000
20	C035160	HOT AIR HOSE Ø45	1.00000
21	C035160	HOT AIR HOSE Ø45	1.00000
22	C039170	HEATING CARTRIDGE FILTER	1.00000
23	C282343	HEATHER BOX	1.00000
24	C282346	BOX HEATER CAP	1.00000
25	C282347	HEATER AIR FILTER CENTERING	1.00000
26	C282348	AIR HEATER FILTER CAP	1.00000
27	C284403	HEATING MANIFOLD	1.00000

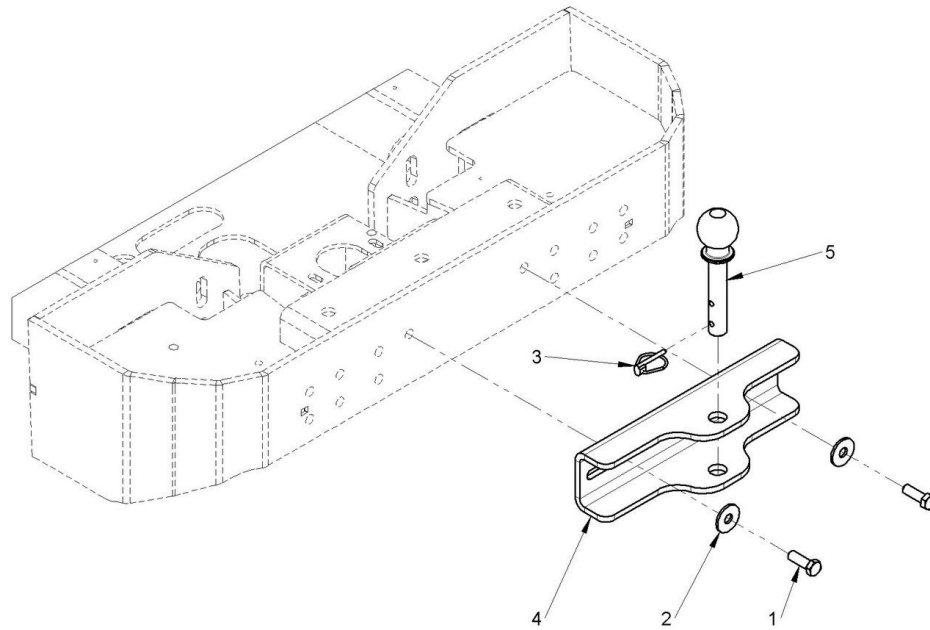


Component list [TAV. 36 SD 6-9 FLOATING BOOM (OPTIONAL)]

Pos.	Code	Description	Q.ty
1	C020145	HEXAGON SOCKET OVAL HEAD SCREW M6x16 ISO 7380	4.00000
2	C023090	FLAT WASHER M6 6.4x12x1.6 UNI 6592	4.00000
3	C030580	BOOM FLOAT VALVE FOR SELF LEVELING	1.00000
4	C033001	NIPPLES 3/8" G / 12L	12.00000
5	C033002	NIPPLES 1/2" G / 12L	1.00000
6	C033021	REVOLVING CONNECTION AT 90° 3/8" ORIENT./12L	2.00000
7	C033031	T CONNECTION M-F-M 12L	1.00000
8	C033032	T-CONNECTION F-M-M 12L	3.00000
9	C281602	FLOATING BOOM VALVE SUPPORT	1.00000
10	C810378/1-1	TUBO 3/8, L=1510, F90 12L, F90 12L, ORIENT. 120° HOSE 3/8, L=1510, F90 12L, F90 12L, ORIENT. 120°	1.00000
11	C810378/4-1	TUBO 3/8, L=420, F90 12L, F45 12L, ORIENT. 180° HOSE 3/8, L=420, F90 12L, F45 12L, ORIENT. 180°	1.00000
12	C810378/3-1	TUBO 3/8, L=420, F90 12L, FD 12L HOSE 3/8, L=420, F90 12L, FD 12L	1.00000
13	C810405/02-1	TUBO 3/8, L=650, F90 12L, F45 12L, ORIENT. 0° HOSE 3/8, L=650, F90 12L, F45 12L, ORIENT. 0°	1.00000

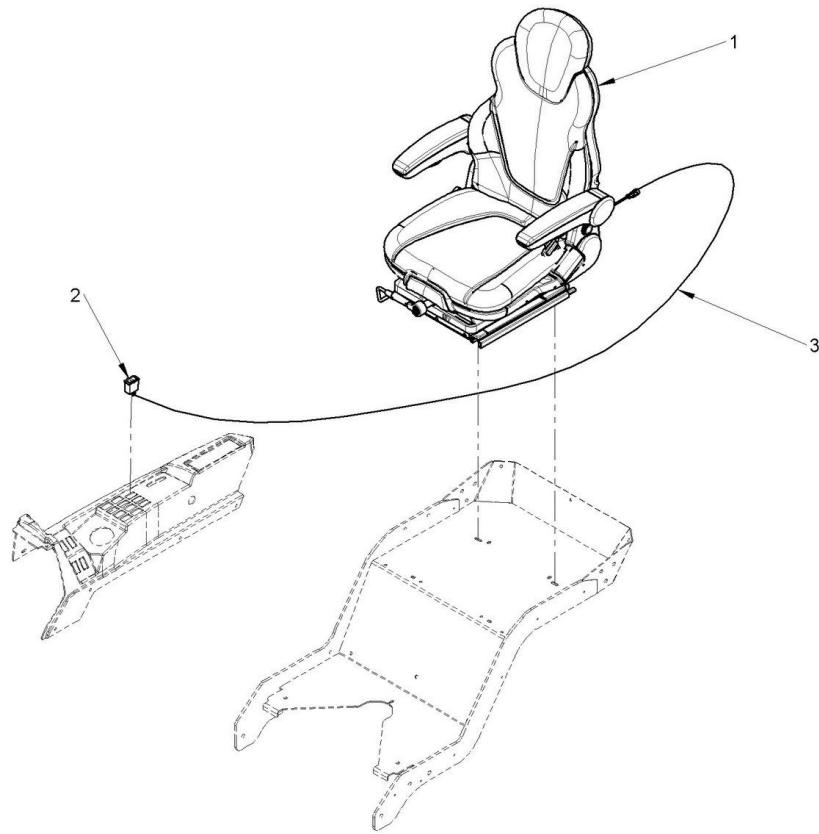


Draft and part list report
Serial n / code M333149 / C967000
Description MULTIONE SD 6.3



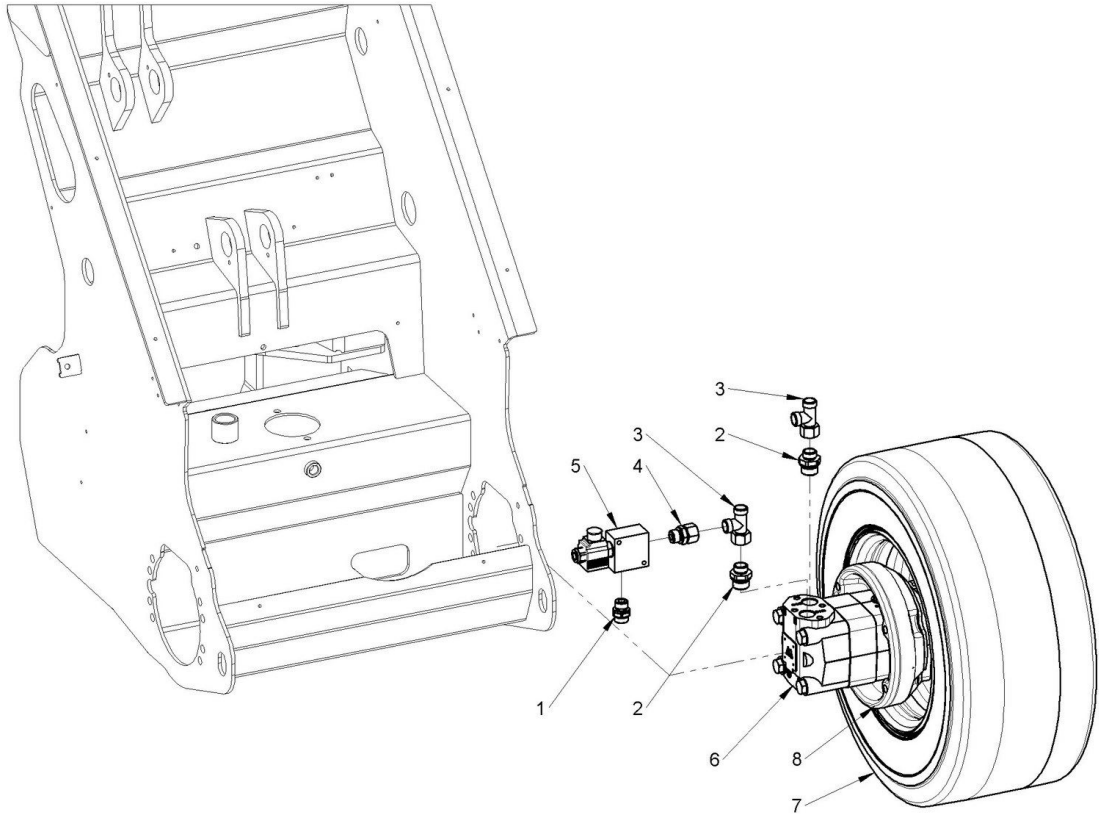
Component list [TAV. 40 TOW HOOK (OPTIONAL)]

Pos.	Code	Description	Q.ty
1	C020133	HEXAGON HEAD BOLT 10.9 M12x35 ISO 4017	2.00000
2	C023105	WASHER FOR M12 13x37x3 DIN9021 UNI6593	2.00000
3	C028200 ◆5	{{>desc}}	1.00000
4	C274220	TRAILER HOOK SUPPORT	1.00000
5	C802049	TOW HOOK PIN	1.00000



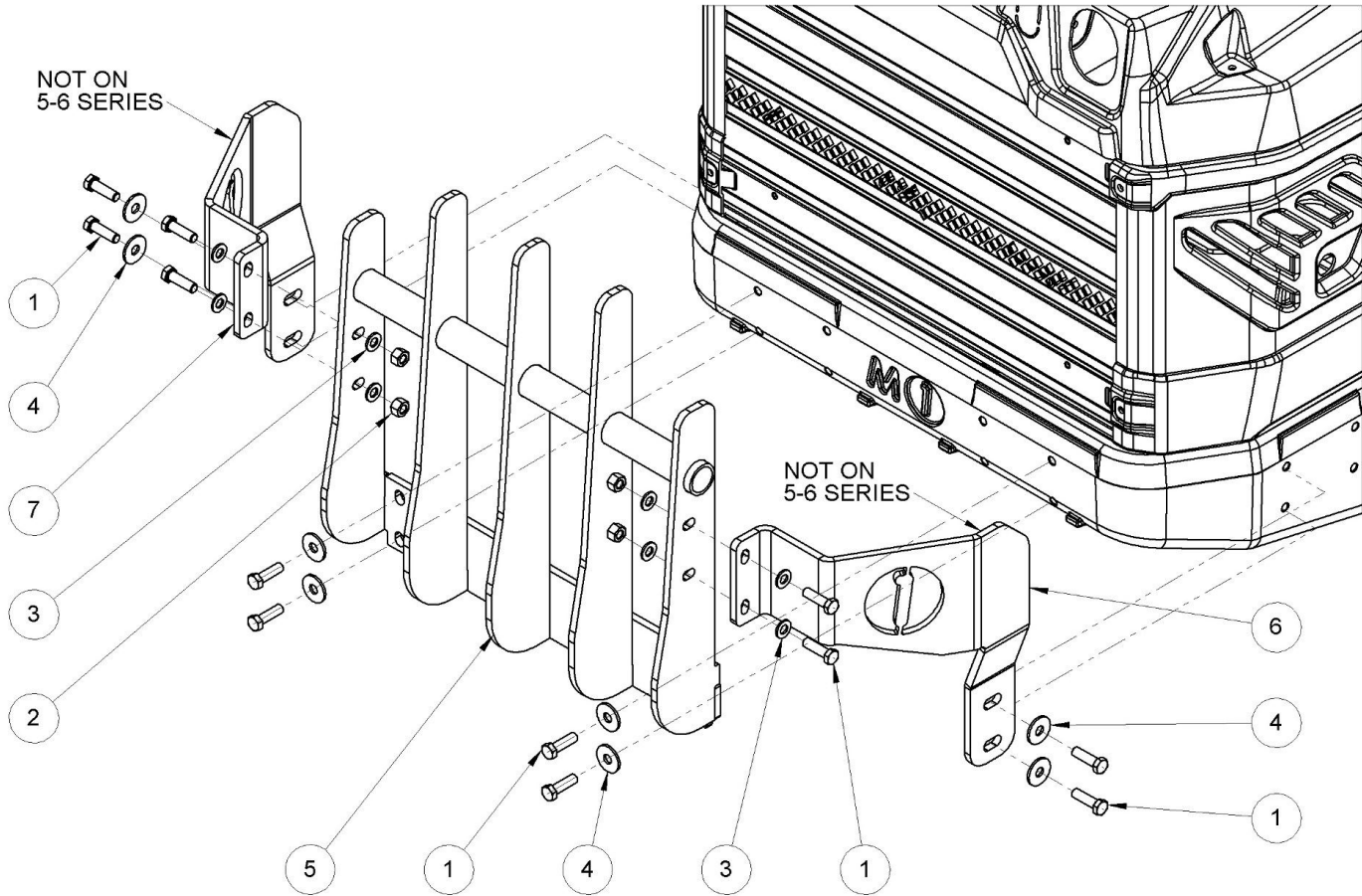
Component list [TAV. 41 LUXURY HEATED SEAT]

Pos.	Code	Description	Q.ty
1	C036772	LUXURY HEATED SEAT FOR MULTIONE WITH SUSPENSION	1.00000
2	C036163	HEATED SEAT SWITCH	1.00000
3	C038091	SEAT HEATING WIRING	1.00000



Component list [TAV. 44 SD 6-7-8 DBS (OPTIONAL)]

Pos.	Code	Description	Q.ty
1	C033003	NIPPLES 1/2" G / 15L	1.00000
2	C033020	NIPPLES 3/4" G - 15L	2.00000
3	C033035	T FITTING F-M-M 15L	2.00000
4	C033057	CONNECTOR M1/2" FG 15L	1.00000
5	C036622	ELECTROVALVE 1/2" COIL 12V	1.00000
6	C038631	OMT400 WHEEL MOTOR	1.00000
7	C040075	23X10.50-12 TRACTOR WHEEL 5 HOLES ET-25	1.00000
8	C281632	ORBITAL WHEEL MOTOR SUPPORT	1.00000



Component list [TAV. 49 M1 5-8, M1 6SD-8SD REAR BUMPER]

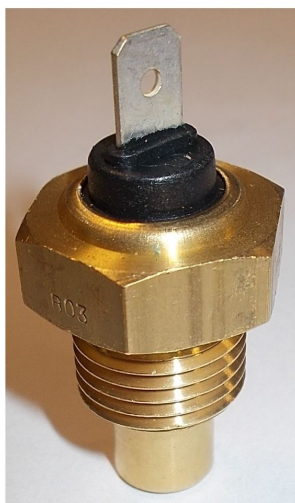
Pos.	Code	Description	Q.ty
1	C020139	HEXAGON HEAD SCREW M12x40 UNI 4017	12.00000
2	C021504	SELF BRAKING NUT M12 DIN 980	4.00000
3	C023102	PLAIN WASHER M12 UNI 6592	8.00000
4	C023105	WASHER FOR M12 13x37x3 DIN9021 UNI6593	8.00000
5	C282835	REAR BULLBAR M1 7-8	1.00000
6	C284467	RIGHT REAR BULLBAR BRACKET	1.00000
7	C284468	LEFT REAR BULLBAR BRACKET	1.00000

PER STRUMENTO ANALOGICO
 FOR ANALOG DECK



1

PER STRUMENTO LCD
 FOR LCD DECK



2

ALLARME SONORO
 BUZZER ALLARM



3

Component list [TAV. 57 WATER TEMP SENSOR]

Pos.	Code	Description	Q.ty
1	FF180/U2M02A003	WATER TEMPERATURE SENSOR, ANALOG DECK	1.00000
2	FF180/U2M02A011	WATER TEMPERATURE SENSOR, LCD DECK	1.00000
3	FF163/121250-44901	WATER TEMPERATURE SENSOR - BUZZER ALARM	1.00000

M1 5.3
 M1 6->10
 M1 SD 6-9

JOYSTICK MULTIFUNZIONE / MULTIFUNCTION JOYSTICK

TAV. 59

CI SONO TRE TIPI DI JOYSTICK, 1 CON CONNETTORE TONDO, 2 CON CONNETTORE RETTANGOLARE "DEUTSCH".
 VERIFICATE QUAL'È PRESENTE SULLA VOSTRA MACCHINA, E RIFERITEVI A QUESTA TAVOLA PER ORDINARE IL PEZZO DI RICAMBIO CORRETTO

THERE ARE 3 TYPES OF JOYSTICK, 1 WITH A ROUND CONNECTOR AND 2 WITH A "DEUTSCH" RECTANGULAR CONNECTOR.
 VERIFY WHICH ONE IS INSTALLED ON YOUR MACHINE, AND REFER TO THIS DRAWING TO ORDER THE CORRECT SPARE PART.

CONNETTORE TONDO
 MONTATO SU TUTTE LE MACCHINE

ROUND SHAPE CONNECTOR
 INSTALLED ON ALL MACHINE

C030642



CONNETTORE "DEUTSCH"
 MONTATO SU 7.3, 8.4, 9.5, 10.8, 8.5, 9.6, 10.9

"DEUTSCH" CONNECTOR
 INSTALLED ON 7.3, 8.4, 9.5, 10.8, 8.5, 9.6, 10.9

C030647



CONNETTORE "DEUTSCH"
 MONTATO SU 5.3, 6.3, SD6, SD7,SD8, SD9

"DEUTSCH" CONNECTOR
 INSTALLED ON 5.3, 6.3, SD6, SD7,SD8, SD9

C030648



Component list [TAV. 59 JOYSTICK MULTI]

Pos.	Code	Description	Q.ty
1	C030642	MULTIONE JOYSTICK HANDLE, MULTIFUNCTION	1.00000
2	C030647	MULTIONE JOYSTICK HANDLE, MULTIFUNCTION	1.00000
3	C030648	MULTIONE JOYSTICK HANDLE, MULTIFUNCTION	1.00000

TASTI ED INTERRUTTORI / BUTTON AND SWITCHES

TAV. 60



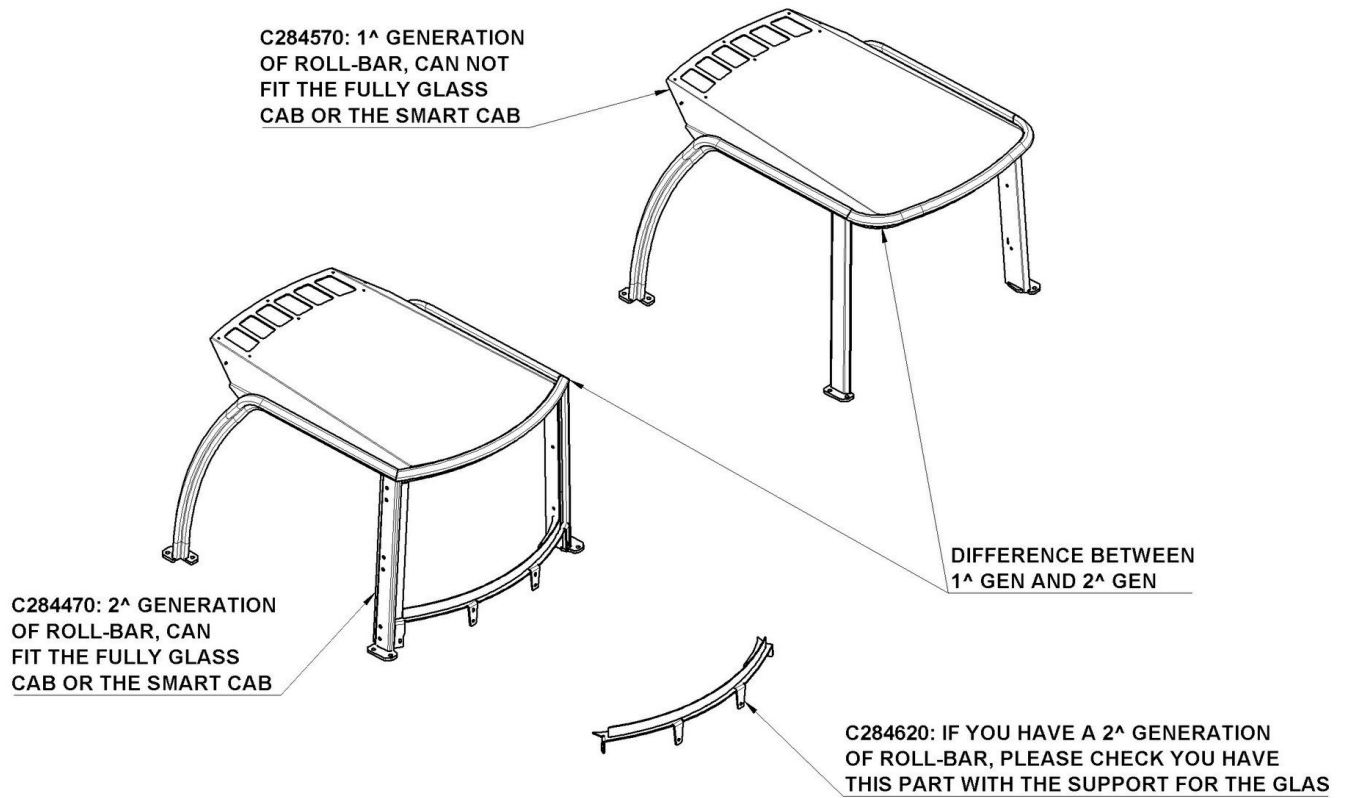
Component list [TAV. 60 SWITCHES]

Pos.	Code	Description	Q.ty
1	C036153	HORN SWITCH	1.00000
2	C036154	WORK LIGHT SWITCH	1.00000
3	C036155	FRONT ELECTRIC PLUG SWITCH	1.00000
4	C036156	HAND BRAKE SWITCH	1.00000
5	C036157	DIFFERENTIAL LOCK SWITCH	1.00000
6	C036158	SLOW/FAST GEAR SWITCH	1.00000
7	C036159	ADDITIONAL WORK LIGHT SWITCH	1.00000
8	C036160	SWITCH FAN	1.00000
9	C036161	WINDSCREEN WASHER SWITCH	1.00000
10	C036162	FLASHING BEACON SWITCH	1.00000
11	C036163	HEATED SEAT SWITCH	1.00000
12	C036164	FLOATING BOOM SWITCH	1.00000
13	C036165	REAR OUTLET SWITCH	1.00000
14	C036166	ROAD LIGHT SWITCH	1.00000



Draft and part list report
Serial n / code M333149 / C967000
Description MULTIONE SD 6.3

15	C036167	AUTOMATIC LOCKING COUPLING PLATE SWITCH	1.00000
16	C036168	HAZARD LIGHTS SWITCH	1.00000
17	C036169	BLINKER LIGHT SWITCH	1.00000
18	FF180/17.153.000	HORN BUTTON	1.00000
19	FF180/106616	HAZARD LIGHT BUTTON	1.00000
20	C036170	BEACON LIGHT BUTTON	1.00000
21	FF180/30.34.08956	LEVER SWITCH ON-OFF WITH RUBBER	1.00000
22	FF180/30.34.10306	LEVER SWITCH ON-OFF-ON WITH RUBBER	1.00000
23	C036171	TORQUE DIVIDER SWITCH	1.00000
24	C036172	ROADLIGHT AND TURN SIGNAL INDICATOR	1.00000



Component list [TAV. 70 DIFFERENCE BETWEEN ROLL-BAR 1ST AND 2ND GENERATION]

Pos.	Code	Description	Q.ty
------	------	-------------	------

DECALCOMANIE / DECALS

Tav. 95

CODE	DESCRIZIONE	DESCRIPTION	NOTE
C042200	DECALCOMANIA GENERALE MACCHINE	GENERAL DECALS FOR MULTIONE	USED ON ALL MACHINES
C042202	DECALCOMANIA GENERALE PITTGRAMMI MACCHINE	GENERAL SAFETY DECALS FOR MULTIONE	USED ON ALL MACHINES
C042111	DECAL LWA 98 DB	DECAL LWA 98 DB	USED ON: 4.2, 5.2, 6.3 SERIES, 7.2 7.3 SERIES, 6.3SD, 7.3SD, 8.4SD
C042110	DECAL LWA 99 DB	DECAL LWA 99 DB	USED ON: 5.3, 8.4 SERIES
C042109	DECAL LWA 100 DB	DECAL LWA 100 DB	USED ON: 1.1, 2.3, 9.5, 9.6, 10.9, 9.5SD
C042112	DECAL LWA 101 DB	DECAL LWA 101 DB	USED ON: 10.8
C042114	DECAL LPA 82 DB	DECAL LPA 82 DB	USED ON: 7.3 SERIES, 7.3SD
C042116	DECAL LPA 84 DB	DECAL LPA 84 DB	USED ON: 7.2, 6.3 SERIES, 6.3SD
C042117	DECAL LPA 85 DB	DECAL LPA 85 DB	USED ON: 1.1, 2.3, 4.2, 5.2, 8.4 SERIES, 10.8, 10.9, 8.4SD
C042102	DECAL LPA 86 DB	DECAL LPA 86 DB	USED ON: 9.5, 9.6, 9.5SD
C042100	DECAL LPA 87 DB	DECAL LPA 87 DB	USED ON: 5.3
C042437	DIAGRAMMA DI CARICO SERIE 2	M1 2 SERIES LOAD DIAGRAM	
C042443	DIAGRAMMA DI CARICO SERIE 4 - 5	M1 4 - 5 SERIES LOAD DIAGRAM	
C042429	DIAGRAMMA DI CARICO SERIE 6	M1 6 SERIES LOAD DIAGRAM	
C042430	DIAGRAMMA DI CARICO SERIE 7 - 8	M1 7 - 8 SERIES LOAD DIAGRAM	
C042431	DIAGRAMMA DI CARICO SERIE 9	M1 9 SERIES LOAD DIAGRAM	
C042432	DIAGRAMMA DI CARICO SERIE 10	M1 10 SERIES LOAD DIAGRAM	
C042440	DIAGRAMMA DI CARICO 6SD	M1 6SD LOAD DIAGRAM	
C042439	DIAGRAMMA DI CARICO 7SD - 8SD	M1 7SD - 8SD LOAD DIAGRAM	
C042438	DIAGRAMMA DI CARICO 9SD	M1 9SD LOAD DIAGRAM	
C042175	DECALCOMANIE M1 1.1	M1 1.1 DECAL	
C042436	DECALCOMANIE M1 2.3	M1 2.3 DECAL	
C042190	DECALCOMANIE M1 4.2	M1 4.2 DECAL	
C042189	DECALCOMANIE M1 5.2	M1 5.2 DECAL	
C042188	DECALCOMANIE M1 5.3	M1 5.3 DECAL	
C042412	DECALCOMANIE M1 6.3	M1 6.3 DECAL	
C042434	DECALCOMANIE M1 6.3+	M1 6.3+ DECAL	
C042413	DECALCOMANIE M1 6.3S	M1 6.3S DECAL	
C042433	DECALCOMANIE M1 7.2	M1 7.2 DECAL	
C042414	DECALCOMANIE M1 7.3	M1 7.3 DECAL	
C042415	DECALCOMANIE M1 7.3+	M1 7.3+ DECAL	
C042416	DECALCOMANIE M1 7.3S	M1 7.3S DECAL	
C042417	DECALCOMANIE M1 8.4	M1 8.4 DECAL	
C042427	DECALCOMANIE M1 8.4+	M1 8.4+ DECAL	
C042418	DECALCOMANIE M1 8.4S	M1 8.4S DECAL	
C042420	DECALCOMANIE M1 8.5	M1 8.5 DECAL	
C042442	DECALCOMANIE M1 8.5S	M1 8.5S DECAL	
C042421	DECALCOMANIE M1 9.5	M1 9.5 DECAL	
C042424	DECALCOMANIE M1 9.6	M1 9.6 DECAL	
C042425	DECALCOMANIE M1 10.8	M1 10.8 DECAL	
C042426	DECALCOMANIE M1 10.9	M1 10.9 DECAL	
C042422	DECALCOMANIE M1 SD 6.3	M1 SD 6.3 DECAL	
C042419	DECALCOMANIE M1 SD 7.3	M1 SD 7.3 DECAL	
C042423	DECALCOMANIE M1 SD 8.4	M1 SD 8.4 DECAL	
C042428	DECALCOMANIE M1 SD 9.5	M1 SD 9.5 DECAL	

Component list [TAV. 95 DECALS]

Pos.	Code	Description	Q.ty
1	C042200	GENERAL SAFETY DECALS FOR MULTIONE	1.00000
2	C042202	S/SL/GT SAFETY DECALS FOR MULTIONE	1.00000
3	C042111	DECALCOMANIA DECIBEL LWA 98 DB	1.00000
4	C042110	DECALCOMANIA DECIBEL LWA 99 DB	1.00000
5	C042109	DECALCOMANIA DECIBEL LWA 100 DB	1.00000
6	C042112	LWA 101 DB LABEL	1.00000
7	C042114	DECALCOMANIA DECIBEL LPA 82 DB	1.00000
8	C042116	LPA 84 DB LABEL	1.00000
9	C042117	LPA 85 DB LABEL	1.00000
10	C042102	DECALCOMANIA DECIBEL LPA 86 DB	1.00000
11	C042100	DECALCOMANIA DECIBEL LPA 87 DB	1.00000
12	C042437	M1 2 SERIES LOAD DIAGRAM DECAL	1.00000
13	C042443	M1 4-5 SERIES LOAD DIAGRAM DECAL	1.00000
14	C042429	DECALCOMANIA DIAGRAMMA DI CARICO M1 6	1.00000



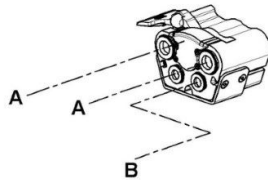
Draft and part list report
Serial n / code M333149 / C967000
Description MULTIONE SD 6.3

15	C042430	DECALCOMANIA DIAGRAMMA DI CARICO M1 7-8	1.00000
16	C042431	DECALCOMANIA DIAGRAMMA DI CARICO M1 9	1.00000
17	C042432	DECALCOMANIA DIAGRAMMA DI CARICO M1 10	1.00000
18	C042440	M1 6SD SERIES LOAD DIAGRAM DECAL	1.00000
19	C042439	M1 7SD-8SD SERIES LOAD DIAGRAM DECAL	1.00000
20	C042438	SD 9 LOAD DIAGRAM DECAL	1.00000
21	C042175	M1 1.1 DECAL	1.00000
22	C042436	KIT DECALS PER M1 2.3	1.00000
23	C042190	DECALCOMANIE M1 4.2	1.00000
24	C042189	DECALCOMANIE M1 5.2	1.00000
25	C042188	DECALCOMANIE M1 5.3	1.00000
26	C042412	KIT DECALS FOR M1 6.3	1.00000
27	C042434	KIT DECALS FOR M1 6.3S	1.00000
28	C042413	KIT DECALS FOR M1 6.3S	1.00000
29	C042433	KIT DECALS FOR M1 7.3	1.00000
30	C042414	KIT DECALS FOR M1 7.3	1.00000
31	C042415	KIT DECALS FOR M1 7.3+	1.00000
32	C042416	KIT DECALS FOR M1 7.3S	1.00000
33	C042417	KIT DECALS FOR M1 8.4	1.00000
34	C042427	KIT DECALS FOR M1 8.4	1.00000
35	C042418	KIT DECALS FOR M1 8.4S	1.00000
36	C042420	KIT DECALS PER M1 8.5	1.00000
37	C042442	8.5S KIT DECALS	1.00000
38	C042421	DECALS KIT FOR M1 9.5	1.00000
39	C042424	KIT DECALS PER M1 9.6	1.00000
40	C042425	KIT DECALS PER M1 10.8	1.00000
41	C042426	KIT DECALS PER M1 10.9	1.00000
42	C042422	KIT DECALS PER M1 SD 6.3	1.00000
43	C042419	KIT DECALS PER M1 SD 7.3	1.00000
44	C042423	KIT DECALS PER M1 SD 8.4	1.00000
45	C042428	SD 9.5 DECALS	1.00000

INSERTI WEO / WEO FITTINGS

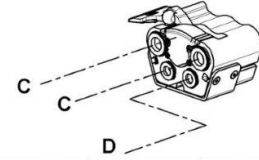
Tav. 96

**MACHINE MULTICONNECTOR
 MULTIONE 9-10 SERIES**

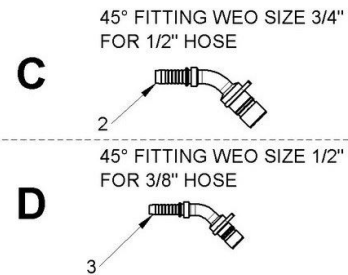
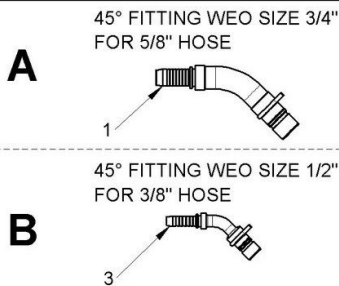


HOSE TYPE	WORK PRES BAR	HOSE DIAMETER	LENGHT RUBBER HOSE	1st FITTING DIN 2353	2nd FITTING WEO
"A" PORTS HOSES					
2SC	250	5/8"	1030	MALE STRAIGHT 18L (M30x2)	POS. 1
"B" PORT HOSE					
PILOT	100	3/8"	1150	MALE STRAIGHT 12L (M18x1,5)	POS. 3

**MACHINE MULTICONNECTOR
 MULTIONE 2-4-5-6-7-8 SERIES**



HOSE TYPE	WORK PRES BAR	HOSE DIAMETER	LENGHT RUBBER HOSE	1st FITTING DIN 2353	2nd FITTING WEO
2 SERIES					
"C" PORTS HOSES					
1SC	160	1/2"	730	FEMALE 90° 12L (M18x1,5)	POS. 2
1SC	160	1/2"	690	FEMALE STRAIGHT 12L (M18x1,5)	POS. 2
"D" PORT HOSE					
PILOT	100	3/8"	710	FEMALE 90° 12L (M18x1,5)	POS. 3
4-5 SERIES					
"C" PORTS HOSES					
1SC	160	1/2"	730	MALE STRAIGHT 15L (M22x1,5)	POS. 2
1SC	160	1/2"	780	MALE STRAIGHT 15L (M22x1,5)	POS. 2
"D" PORT HOSE					
PILOT	100	3/8"	790	MALE STRAIGHT 12L (M18x1,5)	POS. 3
6-7-8 SERIES					
"C" PORTS HOSES					
1SC	160	1/2"	970	MALE STRAIGHT 15L (M22x1,5)	POS. 2
"D" PORT HOSE					
PILOT	100	3/8"	1060	MALE STRAIGHT 12L (M18x1,5)	POS. 3

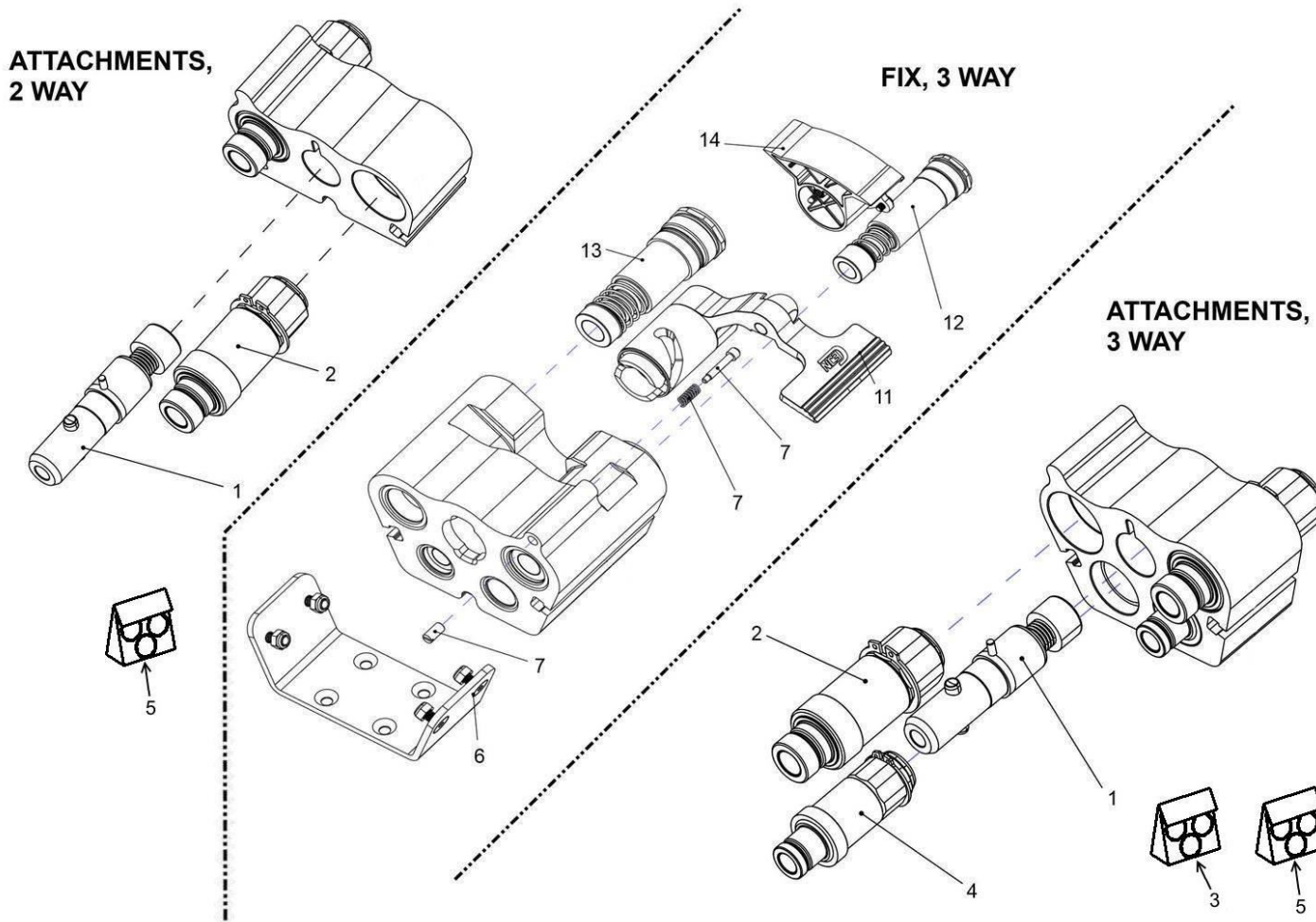


Component list [TAV. 96 MACHINE MULTICONNECTOR WEO FITTINGS]

Pos.	Code	Description	Q.ty
1	C033401	45° FITTING WEO SIZE 3/4" FOR 5/8" HOSE	1.00000
2	C033402	45° FITTING WEO SIZE 3/4" FOR 1/2" HOSE	1.00000
3	C033405	45° FITTING WEO SIZE 1/2" FOR 3/8" HOSE	1.00000
4	C033410	STRAIGHT FITTING WEO SIZE 1/2" FOR 1/2" HOSE	1.00000
5	C033411	STRAIGHT FITTING WEO SIZE 1/2" FOR 3/8" HOSE	1.00000
6	C033416	90° FITTING WEO SIZE 1/2" FOR 3/8" HOSE	1.00000
7	C033425	STRAIGHT FITTING WEO SIZE 3/8" FOR 3/8" HOSE	1.00000

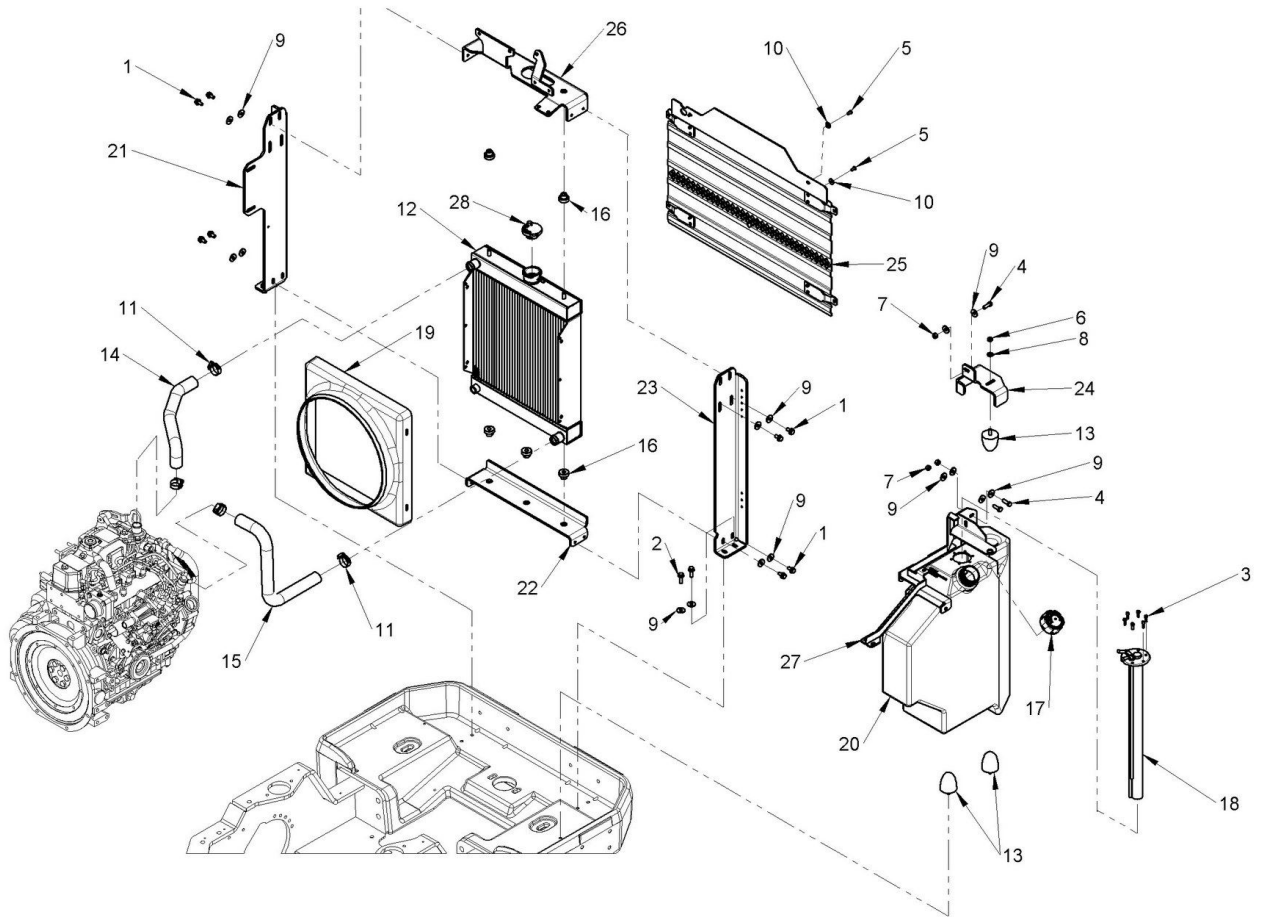
PIASTRA MULTICONNESSIONE / MULTI COUPLING PLATE

Tav. 99



Component list [TAV. 99 HYDRAULIC MULTI COUPLING PLATE, FIX 3 WAY, ATTACHMENTS 3 WAY, ATTACHMENTS 2 WAY]

Pos.	Code	Description	Q.ty
1	FF1187/109324972	CENTER BOLT KIT	1.00000
2	FF1187/105646905	MALE JOINY KIT DN 12,5	1.00000
3	FF1187/103654991	DN 10 SEAL KIT	1.00000
4	FF1187/103646904	MALE JOINY KIT DN 10	1.00000
5	FF1187/105654991	DN 12,5 SEAL KIT	1.00000
6	FF1187/109324975	MOUNTING BRACKET	1.00000
7	FF1187/109324992	LOCKING LEVER PIN KIT	1.00000
11	FF1187/109324970	LOCKING LEVER KIT	1.00000
12	FF1187/103651906	FEMALE JOINY KIT DN 10	1.00000
13	FF1187/105651907	FEMALE JOINY KIT DN 12,5	1.00000
14	FF1187/109324971	BACK LID KIT	1.00000



Component list [TAV.06 SD 6.3-7.3 ENGINE COOLER AND FUEL TANK]

Pos.	Code	Description	Q.ty
1	C019201	HEXAGON FLANGE BOLT M8x16 DIN 6921	8.00000
2	C019203	HEXAGON FLANGE BOLT M8x25 ISO 1665	4.00000
3	C020036	HEXAGON SOCKET HEAD CAP SCREW M5x16 UNI 5931	6.00000
4	C020073	HEXAGON HEAD SCREW 8.8 M8x25 UNI EN ISO 4017	3.00000
5	C020542	HEXAGON SOCKET OVAL HEAD SCREW M6x12 ZN ISO 7380	6.00000
6	C021010	NUT E 6S M8 UNI 5588	1.00000
7	C021502	SLOTTED AND CASTLE HEXAGON NUTS M8 DIN980	3.00000
8	C023041	NORD LOCK WASHER M8	1.00000
9	C023100	PLAIN WASHER LARGE SERIES M8 DIN 9021	18.00000
10	C023110	PLAIN WASHER LARGE SERIES M6 6.5X18X1.5 DIN9021	6.00000
11	C029032	STAINLESS STEEL CLAMP 30-45 BELT 12	4.00000
12	C030620	ENGINE WATER COOLER	1.00000
13	C035139	SILENT BLOCK T-50 I50 H=58 M8x20	3.00000
14	C035151	INLET ENGINE COOLER PIPE	1.00000



Draft and part list report
Serial n / code M333149 / C967000
Description MULTIONE SD 6.3

15	C035152	OUTLET REFRIGERATOR PIPE	1.00000
16	C036017	RADIATOR DAMPING PAD	5.00000
17	C038723	FUEL CUP, NO KEY	1.00000
18	C038758	6.3 7.3 8.4 FUEL SENSOR	1.00000
19	C041412	ENGINE COOLER AIR CONVEYOR	1.00000
20	C220490	34 LT FUEL TANK MULTIONE 7-8 SERIE	1.00000
21	C281634	RIGHT ENGINE COOLER SUPPORT REV.04	1.00000
22	C281635	LOWER ENGINE COOLE SUPPORT	1.00000
23	C281636	LEFT ENGINE COOLER SUPPORT REV.05	1.00000
24	C281882	FUEL TANK LOCKER	1.00000
25	C283067	RADIATOR NET	1.00000
26	C284215	ENGINE COOLER SUPPORT	1.00000
27	C284274	SD SERIES UPPER LEFT COVER SUPPORT	1.00000
28	FF447/TAPOVAME0009	ENGINE COOLER MEDIUM CAP	1.00000



Draft and part list report
Serial n / code M333149 / C967000
Description MULTIONE SD 6.3