

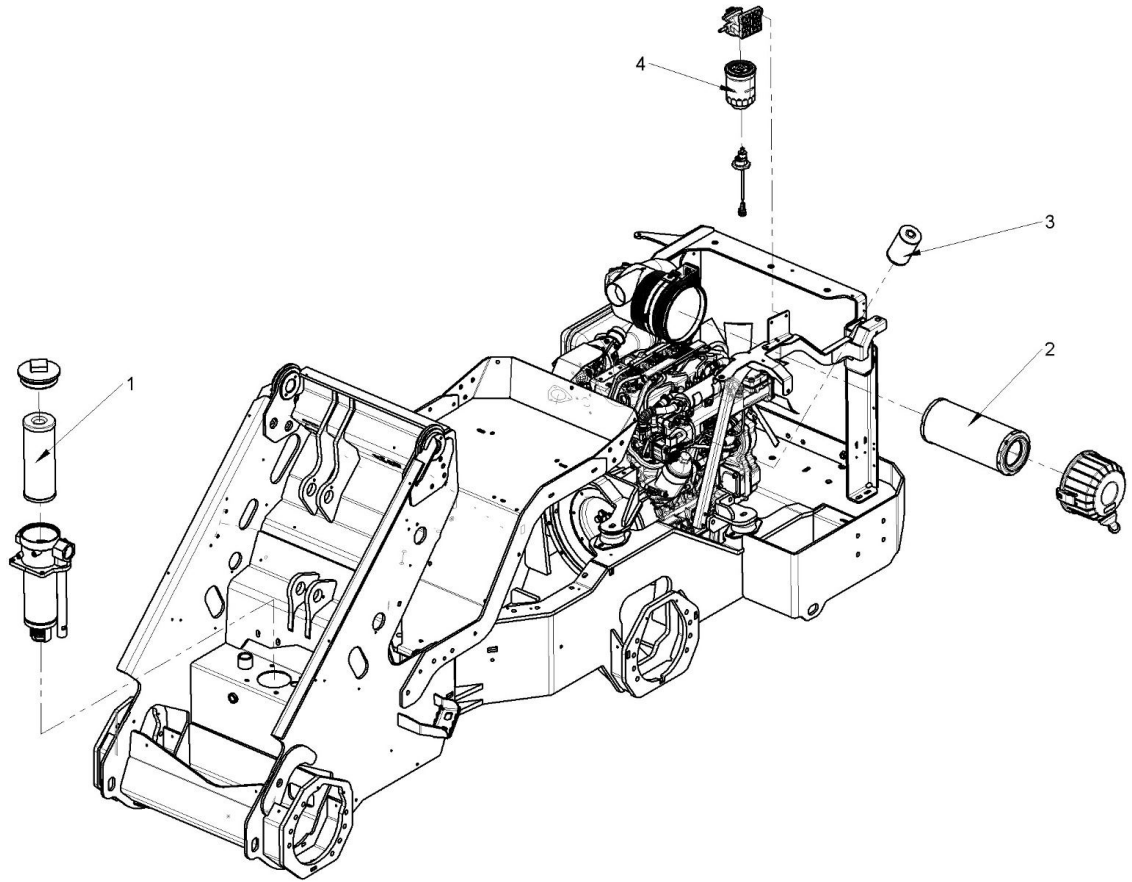
List of machine draft

N.	Draft
1	TAV. 00 FILTERS
2	TAV. 01 ENGINE AND PUMPS
3	TAV. 02 ENGINE SUPPORT
4	TAV. 03 M1 9 ARTICULATION
5	TAV. 04 M1 9 WHEEL MOTORS
6	TAV. 05 FUEL TANK AND ENGINE COOLER
7	TAV. 06 BOOM FIXED PART
8	TAV. 07 M1 9.6-10 RIGHT SIDE
9	TAV. 08 MUFFLER, BATTERY, AIR FILTER
10	TAV. 09 M1 10 POWER STEERING
11	TAV. 10 M1 6-10 COUPLING PLATE
12	TAV. 11 M1 9 ROLLBAR, SEAT, SUPPORT SEAT
13	TAV. 12 M1 9-10 FRONT COVER SUPPORT
14	TAV. 13 M1 9.6-10 FRONT COVER
15	TAV. 14 M1 9-10 REAR COVER SUPPORT
16	TAV. 15 M1 9.6 - 10.9 REAR COVER
17	TAV. 16 M1 9 SELF LEVELING CYLINDER
18	TAV. 17 M1 6-10 STANDARD AND OPTIONAL WORK LIGHT
41	TAV. 18-1 TRANSMISSION HYDRAULIC DIAGRAM
42	TAV. 18-2 TRANSMISSION HYDRAULIC DIAGRAM
43	TAV. 19-1 BOOM HYDRAULIC DIAGRAM
44	TAV. 19-2 SERVICES HYDRAULIC DIAGRAM
19	TAV. 20 M1 9 BOOM MOBILE PART
20	TAV. 22 ELECTRIC PARTS
21	TAV. 30 M1 9-10 ROAD LIGHT
22	TAV. 31 M1 6-10 GLASS CABIN
23	TAV. 32 M1 6-7-8 GLASS CABIN DETAILS (OPTIONAL)
24	TAV. 33 HEATING SYSTEM
25	TAV. 34 M1 9-10 AUTOMATIC COUPLING PLATE
26	TAV. 35 M1 6-10 FLOATING BOOM
27	TAV. 36 SECURITY ARM
28	TAV. 41 LUXURY HEATED SEAT
29	TAV. 44 55 mm WHEEL SPACER
30	TAV. 45 MULTICONNECTOR COUPLING TO QUICK COUPLING KIT ADAPTOR
31	TAV. 46 TOW HOOK
32	TAV. 47 220+220 KG BACKWEIGHT
33	TAV. 49 M1 9-10-9SD REAR BUMPER
34	TAV. 54 STEEL MUD GUARD
35	TAV. 57 WATER TEMP SENSOR



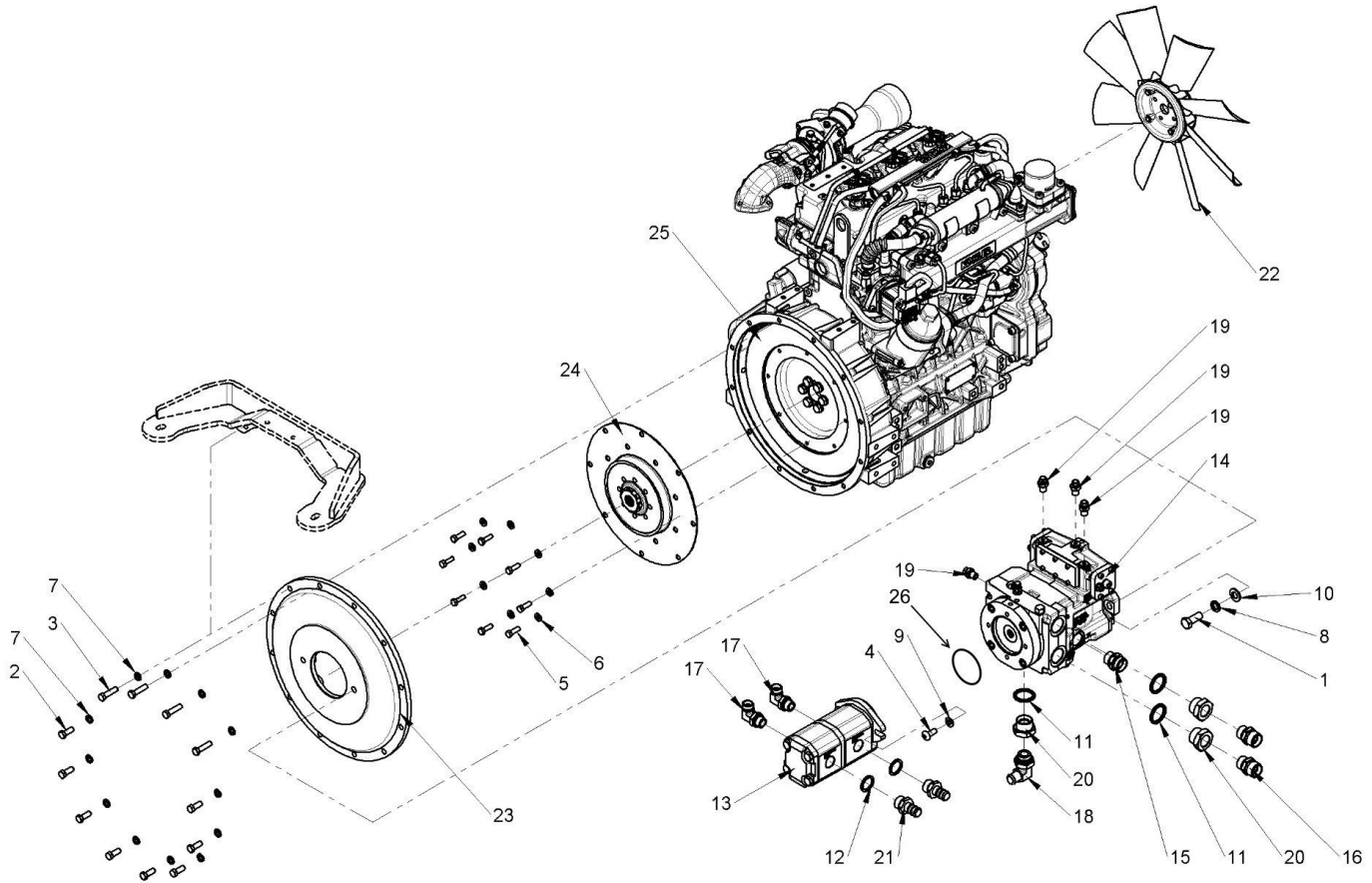
Draft and part list report
Serial n / code M351945 / C965005
Description MULTIONE 9.6KDI

36	TAV. 59 BACK-UP ALLARM
37	TAV. 61 SWITCHES
40	TAV. 75 DECALCOMANIE (1)
38	TAV. 96 MACHINE MULTICONNECTOR WEO FITTINGS
39	TAV. 99 HYDRAULIC MULTI COUPLING PLATE, FIX 3 WAY, ATTACHMENTS 3 WAY, ATTACHMENTS 2 WAY



Component list [TAV. 00 FILTERS]

Pos.	Code	Description	Q.ty
1	C036639	HYDRAULIC FILTER CARTRIDGE M1 9-10	1.00000
2	C039079	7" AIR FILTER CARTRIDGE WITH SAFETY FILTER	1.00000
3	C039182	KOHLER OIL FILTER CARTRIDGE	1.00000
4	C039183	DIESEL FILTER CARTRIDGE	1.00000



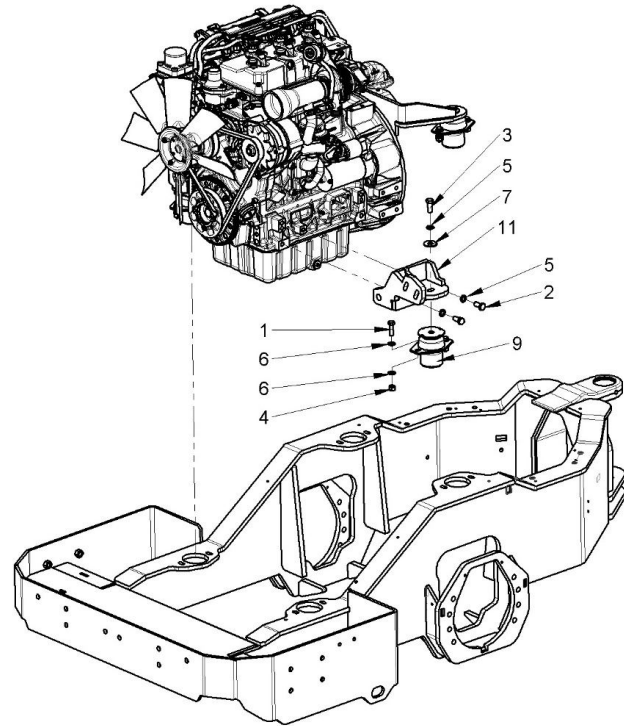
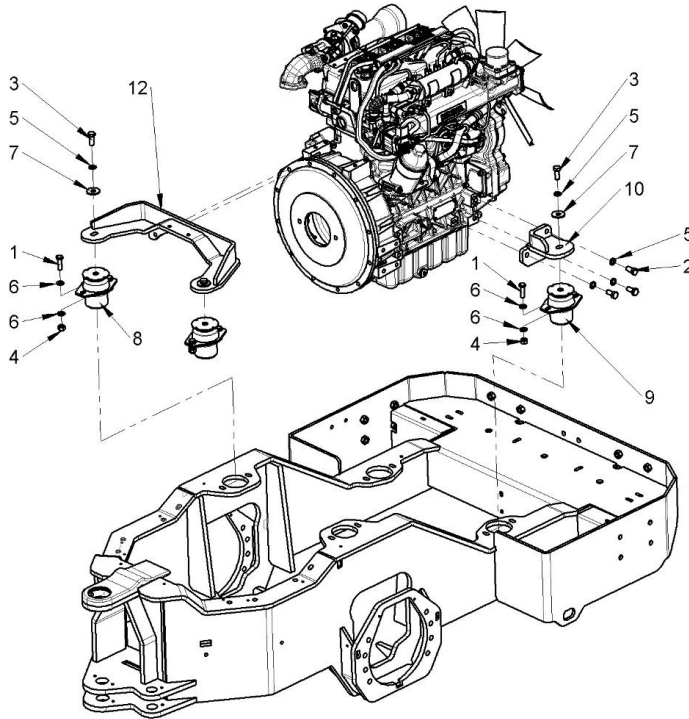
Component list [TAV. 01 ENGINE AND PUMPS]

Pos.	Code	Description	Q.ty
1	C020298	UNI 4017 M14x35 SCREW	2.00000
2	C020412	HEXAGONAL SCREW 3/8"-16 UNC-28 L=1"	8.00000
3	C020413	HEXAGONAL SCREW 3/8"-16 UNC-28 L=1 1/2" ZB	4.00000
4	C020550	ISO 7380 M10x25 HEX SOCKET OVAL HEAD SCREW	2.00000
5	C020730	HEXAGONAL SCREW 5/16" UNC L=1" ZB	8.00000
6	C023041	M8 NORD LOCK WASHER	8.00000
7	C023042	M10 NORD LOCK WASHER	12.00000
8	C023044	M14 NORD LOCK WASHER	2.00000
9	C023080	UNI 6592 FLAT WASHER M10 - 10,5x20x2	2.00000
10	C023103	UNI 6592 FLAT WASHER M15 - 15x28x2,5	2.00000
11	C030538	1" G BONDED WASHER	3.00000
12	C030543	3/4" G BONDED WASHER	2.00000
13	C030989	20+11 cc TWIN GEAR PUMP	1.00000
14	C031360	HYDROSTATIC PUMP 40CC POCLAIN 9KOH SERIES	1.00000



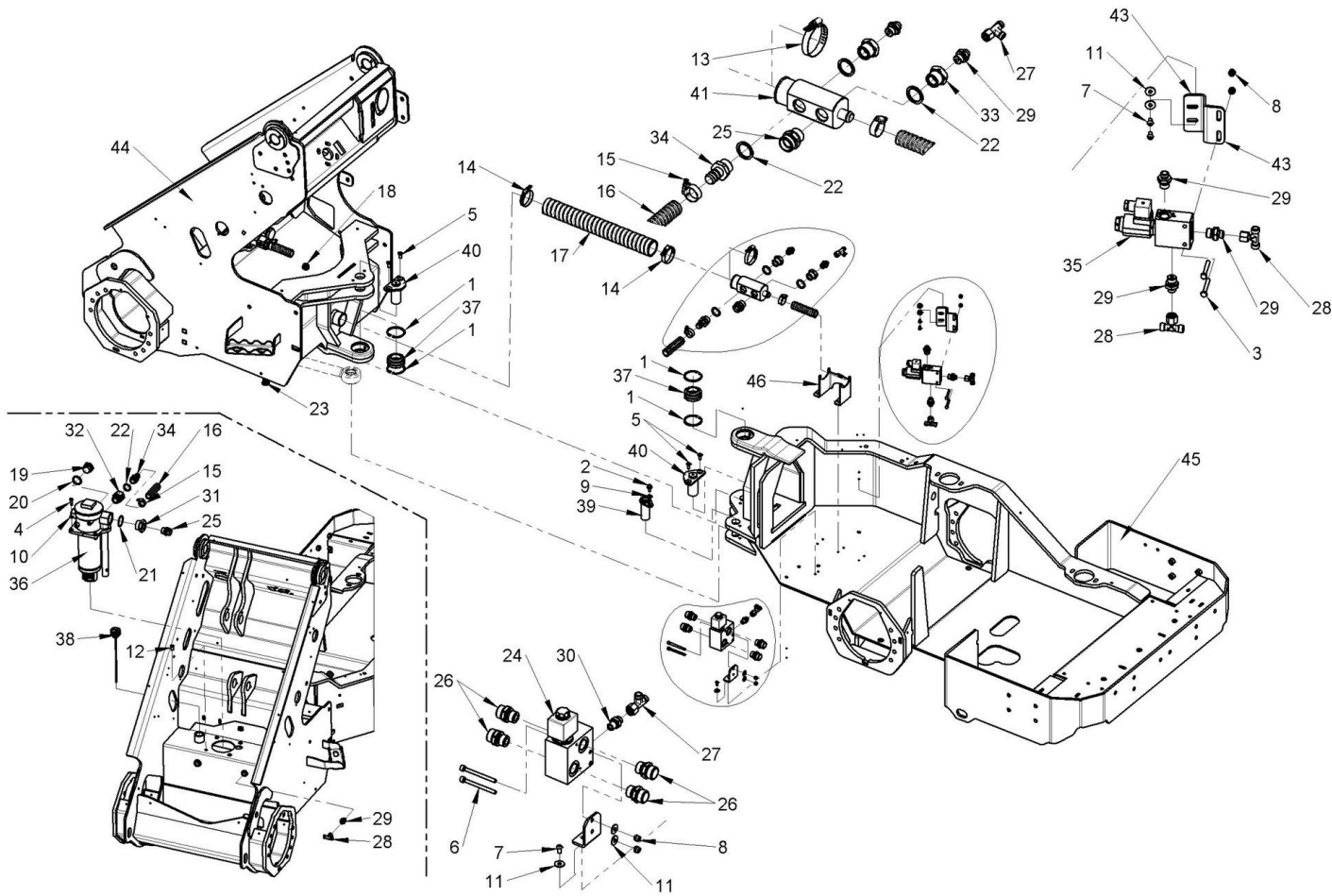
Draft and part list report
Serial n / code M351945 / C965005
Description MULTIONE 9.6KDI

15	C033004	MALE-MALE CONNECTOR 3/4" G - 22L	1.00000
16	C033019	MALE-MALE CONNECTOR 3/4" G - 20S	2.00000
17	C033022	90° ELBOW ADJ. MALE 1/2" G - MALE 15L	2.00000
18	C033028	90° ELBOW HOSE FITTING SW.M 3/4" G - 3/4" HOSE	1.00000
19	C033134	MALE-MALE CONNECTOR 1/4" G - 8L	4.00000
20	C033142	COUPLING REDUCING M 1"" G - F 3/4 G	3.00000
21	C033300	STRAIGHT HOSE CONNECTOR 3/4" G F - 3/4" HOSE	2.00000
22	C034214	Ø450 35° PITCH ANGLE FAN	1.00000
23	C039555	SAE B KOHLER PUMP FLANGE	1.00000
24	C039556	Z15 RUBBER JOINT	1.00000
25	C039600	KOHLER KDI 1903 TCR 42KW TIER 4	1.00000
26	C016001	ORING 82,22X2,62	1.00000



Component list [TAV. 02 ENGINE SUPPORT]

Pos.	Code	Description	Q.ty
1	C020103	HEXAGON HEAD SCREW M10x35 ISO 4017	8.00000
2	C020131	UNI 5739 M12x25 HEX HEAD SCREW	6.00000
3	C020132	UNI 5739 M12x30 HEX HEAD SCREW	4.00000
4	C021503	SLOTTED AND CASTLE HEXAGON NUTS M10 DIN980	8.00000
5	C023043	M12 NORD LOCK WASHER	10.00000
6	C023080	UNI 6592 FLAT WASHER M10 - 10,5x20x2	16.00000
7	C023105	UNI 6593 LARGE WASHER M12 - 13x37x3	4.00000
8	C037410	HYDRAULIC DUMPER 40SH	2.00000
9	C037411	HYDRAULIC DAMPER 60SH	2.00000
10	C282477	REAR LEFT ENGINE SUPPORT	1.00000
11	C282480	REAR RIGHT ENGINE SUPPORT	1.00000
12	C282787	ASSIEME SUPPORTO ANTERIORE MOTORE M1 9.6 REV.01	1.00000



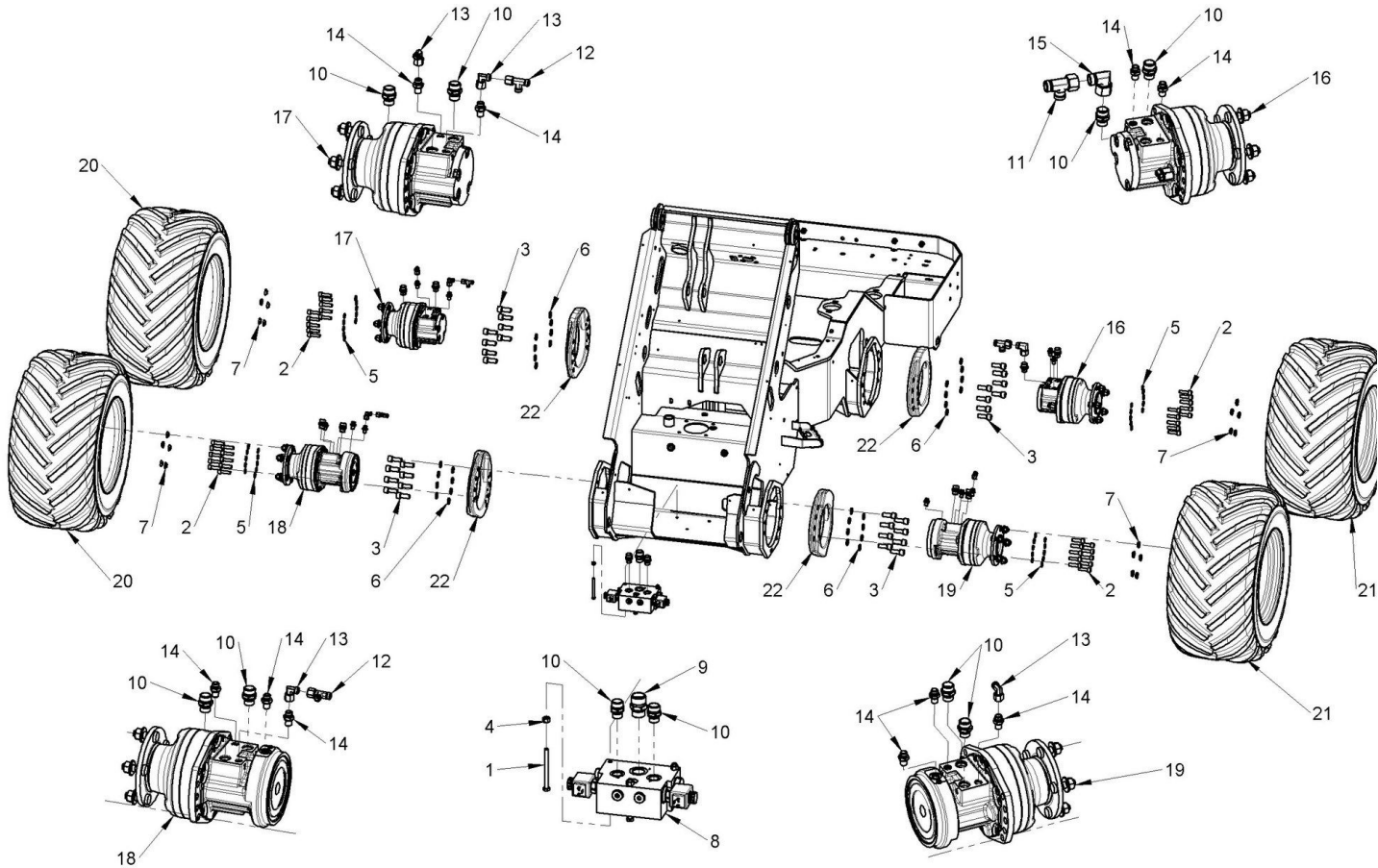
Component list [TAV. 03 M1 9 ARTICULATION]

Pos.	Code	Description	Q.ty
1	C018310	BORES SEEGER RING Ø62 DIN 472	4.00000
2	C023071	UNI 6592 FLAT WASHER M8 - 8,4x16x1,6	4.00000
3	C023041	M8 NORD LOCK WASHER	1.00000
4	C021104	UNI 7473 SELF-LOCKING NUT M6	4.00000
5	C020542	ISO 7380 M6x12 HEX SOCKET OVAL HEAD SCREW	4.00000
6	C020241	UNI EN ISO 4762 M6x70 HEX SOCKET HEAD CAP SCREW	2.00000
7	C020155	M8X20 SCREW UNI5933	4.00000
8	C020073	HEXAGON HEAD SCREW 8.8 M8x25 UNI EN ISO 4017	4.00000
9	C020056	ISO 4017 M6x45 SCREW	2.00000
10	C019201	DIN 6921 M8x16 FLANGED HEAD SCREW	1.00000
11	C023110	UNI 6593 LARGE WASHER M6 - 6,5x18x1,5	6.00000
12	C028270	THREAD INSERT M8	4.00000
13	C029034	STAINLESS STEEL CLAMP 60-80 BELT 12	1.00000
14	C029045	CLAMP 12MM INOX 56-59	2.00000



Draft and part list report
Serial n / code M351945 / C965005
Description MULTIONE 9.6KDI

15	C029046	STAINLESS STEEL CLAMP 20-32 BELT 12	3.00000
16	C030102	OIL SUCTION HOSE Ø19x28	3.00000
17	C030103	SUCTION OIL PIPE İ51x61	0.47000
18	C030380	PLUG HEXAGON SOCKET M 1/4" GAS	1.00000
19	C030390	MALE PLUG G 1" ISO 228	1.00000
20	C030538	1" G BONDED WASHER	1.00000
21	C030539	G 1" 1/4 COPPER WASHER	1.00000
22	C030543	3/4" G BONDED WASHER	4.00000
23	C030610	MAGNETIC MALE PLUG 1/2" G	1.00000
24	C031052	DBS TRANSMISSION VALVE	1.00000
25	C033004	MALE-MALE CONNECTOR 3/4" G - 22L	2.00000
26	C033073	MALE-MALE CONNECTOR 1/2" G - 16S	4.00000
27	C033085	TEE FITTING SW.F-M-M 8L	2.00000
28	C033086	TEE FITTING M-SW.F-M 8L	3.00000
29	C033133	MALE-MALE CONNECTOR 3/8" G - 8L	6.00000
30	C033134	MALE-MALE CONNECTOR 1/4" G - 8L	1.00000
31	C033141	COUPLING REDUCING M 1" 1/4 G - F 3/4 G	1.00000
32	C033142	COUPLING REDUCING M 1" G - F 3/4 G	1.00000
33	C033162	COUPLING REDUCING M 3/4" G - F 3/8" G	2.00000
34	C033300	STRAIGHT HOSE CONNECTOR 3/4" G F - 3/4" HOSE	2.00000
35	C036621	ELECTROVALVE 3 WAY 3/8 G COIL 12V DC	1.00000
36	C036638	M1 9, 10 OIL FILTER ASSY	1.00000
37	C037637	GE 35 FO 2RS RADIAL SPHERICAL PLAIN BEARING	2.00000
38	C038748	1" G PRESSURIZED LEVEL CUP	1.00000
39	C230162	FLANGED PIN Ø30 L=76	1.00000
40	C230166	FLANGED PIN Ø35 L=73	2.00000
41	C261111	SUCTION PUMPS MANIFOLD	1.00000
42	C281655	DIFFERENTIAL VALVE SUPPORT	1.00000
43	C281656	OIL SUCTION MANIFOLD / DOUBLE SPEEDD VALVE SUPPORT	1.00000
44	C282400	FRONT FRAME M1 9 10	1.00000
45	C282450	M1 9-10 REAR FRAME	1.00000
46	C282776	COLLECTOR OIL SUCTION SUPPORT	1.00000



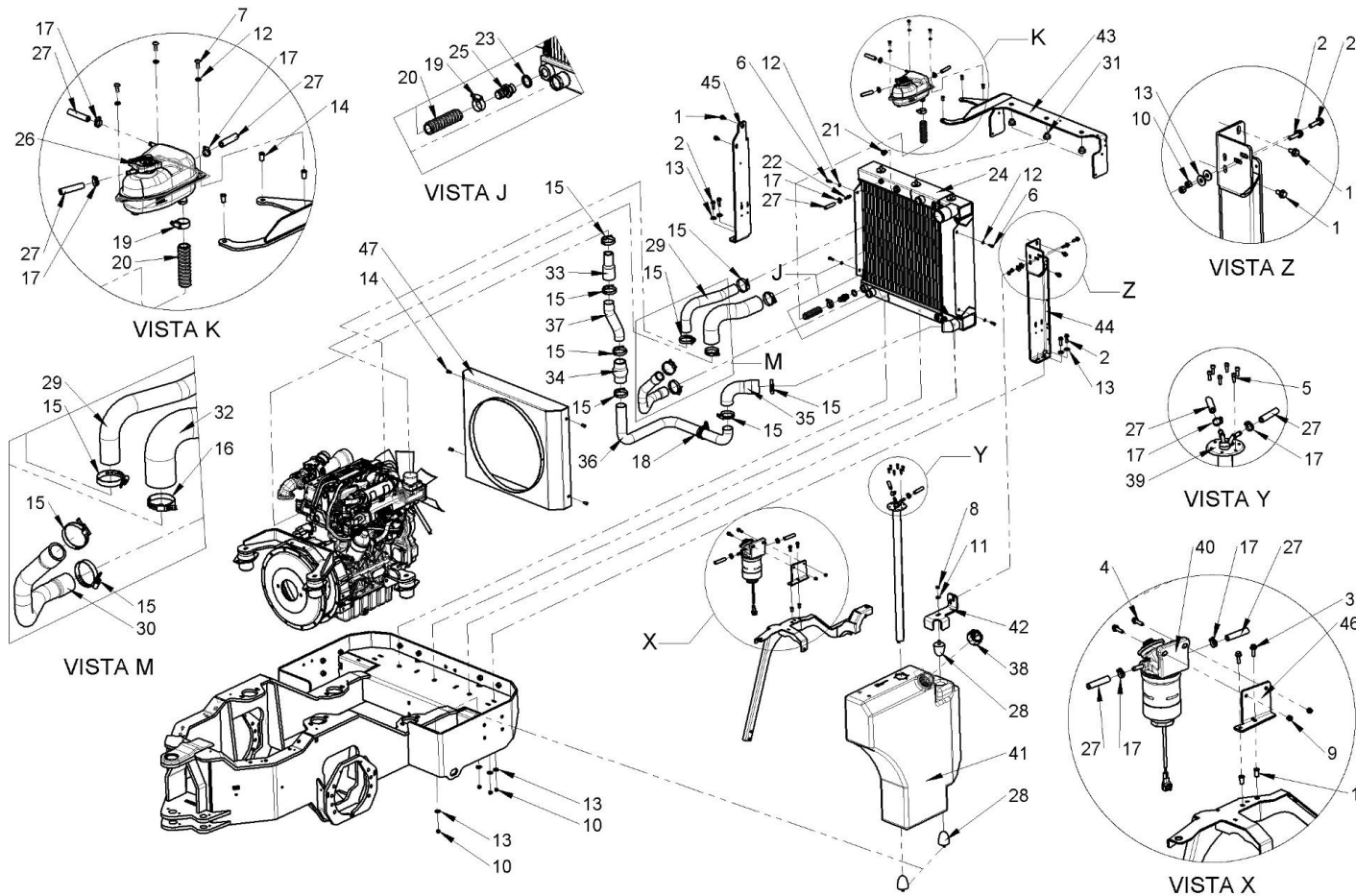
Component list [TAV. 04 M1 9 WHEEL MOTORS]

Pos.	Code	Description	Q.ty
1	C020082	UNI 5739 M8x90 HEX HEAD SCREW	3.00000
2	C020250	UNI EN ISO 4762 M12x40 HEX SOCKET HEAD CAP SCREW	40.00000
3	C020294	UNI EN ISO 4762 M16x40 HEX SOCKET HEAD CAP SCREW	32.00000
4	C021502	SLOTTED AND CASTLE HEXAGON NUTS M8 DIN980	3.00000
5	C023043	M12 NORD LOCK WASHER	40.00000
6	C023045	M16 NORD LOCK WASHER	32.00000
7	C023500	WASHER LIMES D.14 FOR GT WHEEL SCREWS	20.00000
8	C031008	FLOE DIVIDER W/BYPASS 120L	1.00000
9	C033019	MALE-MALE CONNECTOR 3/4" G - 20S	1.00000
10	C033073	MALE-MALE CONNECTOR 1/2" G - 16S	10.00000
11	C033083	TEE FITTING SW.F-M-M 16S	1.00000
12	C033085	TEE FITTING SW.F-M-M 8L	2.00000
13	C033131	90° ELBOW SW. F 8L - M 89L	4.00000
14	C033134	MALE-MALE CONNECTOR 1/4" G - 8L	10.00000



Draft and part list report
Serial n / code M351945 / C965005
Description MULTIONE 9.6KDI

15	C033144	90° ELBOW SW.F 16S - M 16S	1.00000
16	C038680	MSE03-2 500cc 2 SPEED LEFT WHEEL MOTOR	1.00000
17	C038681	MSE03-2 500cc 2 SPEED RIGHT WHEEL MOTOR	1.00000
18	C038682	MSE03-2 500cc 2 SPEED WITH BRAKE RIGHT WHEEL MOTOR	1.00000
19	C038683	MSE03-2 500cc 2 SPEED WITH BRAKE LEFT WHEEL MOTOR	1.00000
20	C040002	TRACTOR WHEEL 31X15.50-15/400/50-15 AS DUMPER II	2.00000
21	C040002	TRACTOR WHEEL 31X15.50-15/400/50-15 AS DUMPER II	2.00000
22	C282499/L	WHEEL MOTOR FLANGE	4.00000



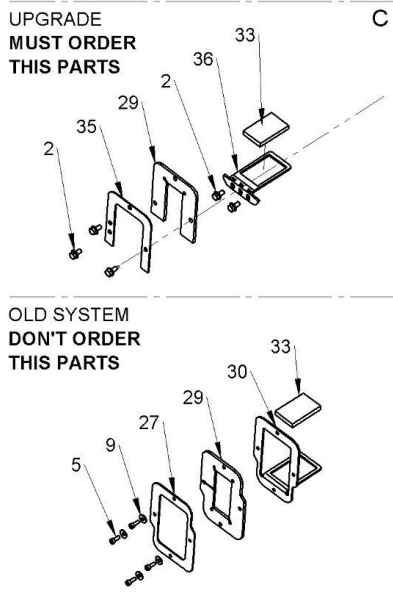
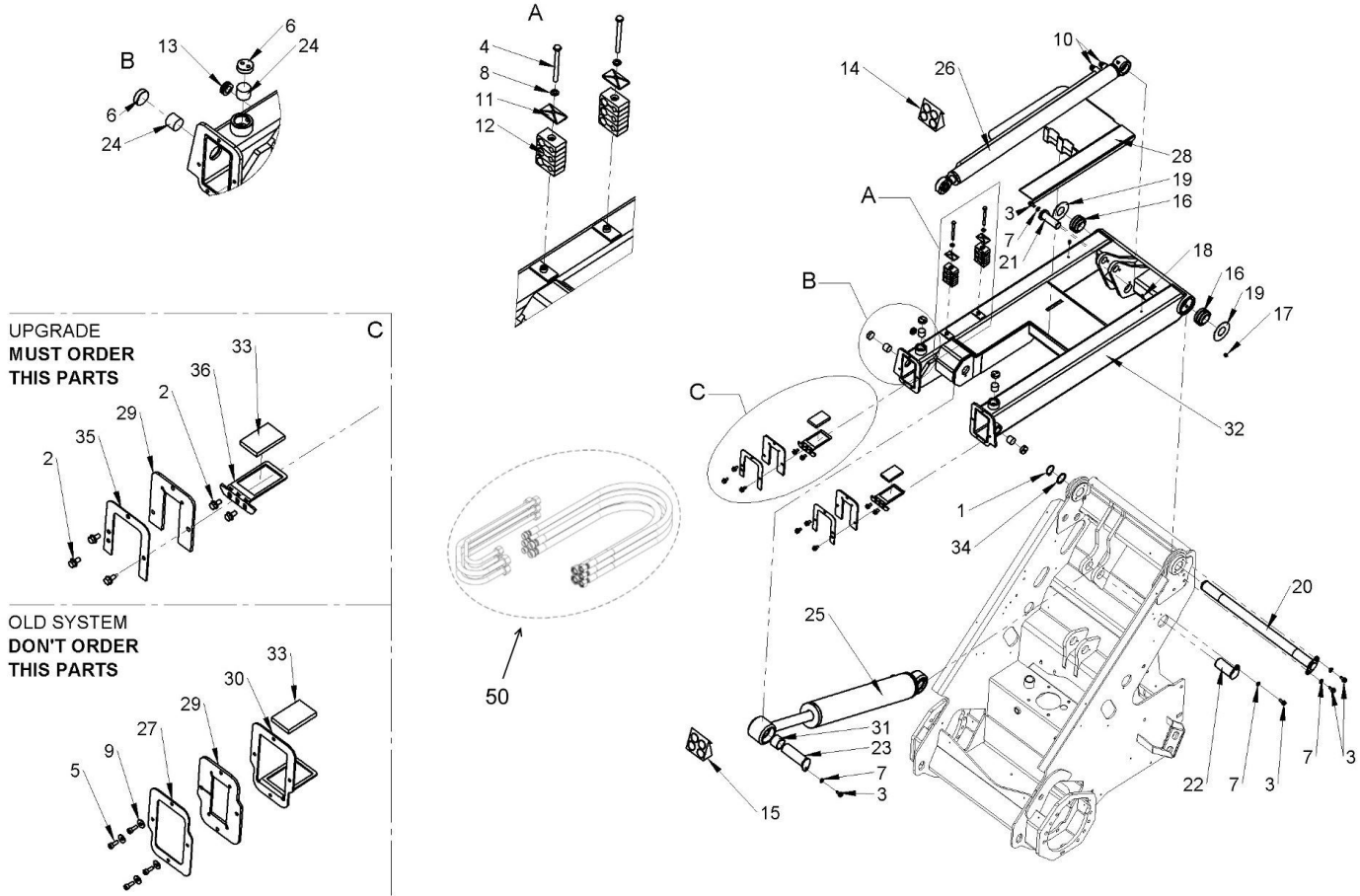
Component list [TAV. 05 FUEL TANK AND ENGINE COOLER]

Pos.	Code	Description	Q.ty
1	C019201	DIN 6921 M8x16 FLANGED HEAD SCREW	4.00000
2	C019204	DIN 6921 M8x30 FLANGED HEAD SCREW	6.00000
3	C019212	DIN 6921 M6x20 FLANGED HEAD SCREW	2.00000
4	C019213	DIN 6921 M6x25 FLANGED HEAD SCREW	2.00000
5	C020036	UNI EN ISO 4762 M5X16 HEX SOCKET HEAD CAP SCREW	6.00000
6	C020051	ISO 4017 M6x20 SCREW	4.00000
7	C020145	ISO 7380 M6x16 HEX SOCKET OVAL HEAD SCREW	3.00000
8	C021010	NUT E 6S M8 UNI 5588	1.00000
9	C021104	UNI 7473 SELF-LOCKING NUT M6	2.00000
10	C021502	SLOTTED AND CASTLE HEXAGON NUTS M8 DIN980	8.00000
11	C023041	M8 NORD LOCK WASHER	1.00000
12	C023090	UNI 6592 FLAT WASHER M6 - 6,4x12x1,6	7.00000
13	C023100	UNI 6593 LARGE WASHER M8 - 8,5x24x2	12.00000
14	C028271	THREAD INSERT M6	9.00000



Draft and part list report
Serial n / code M351945 / C965005
Description MULTIONE 9.6KDI

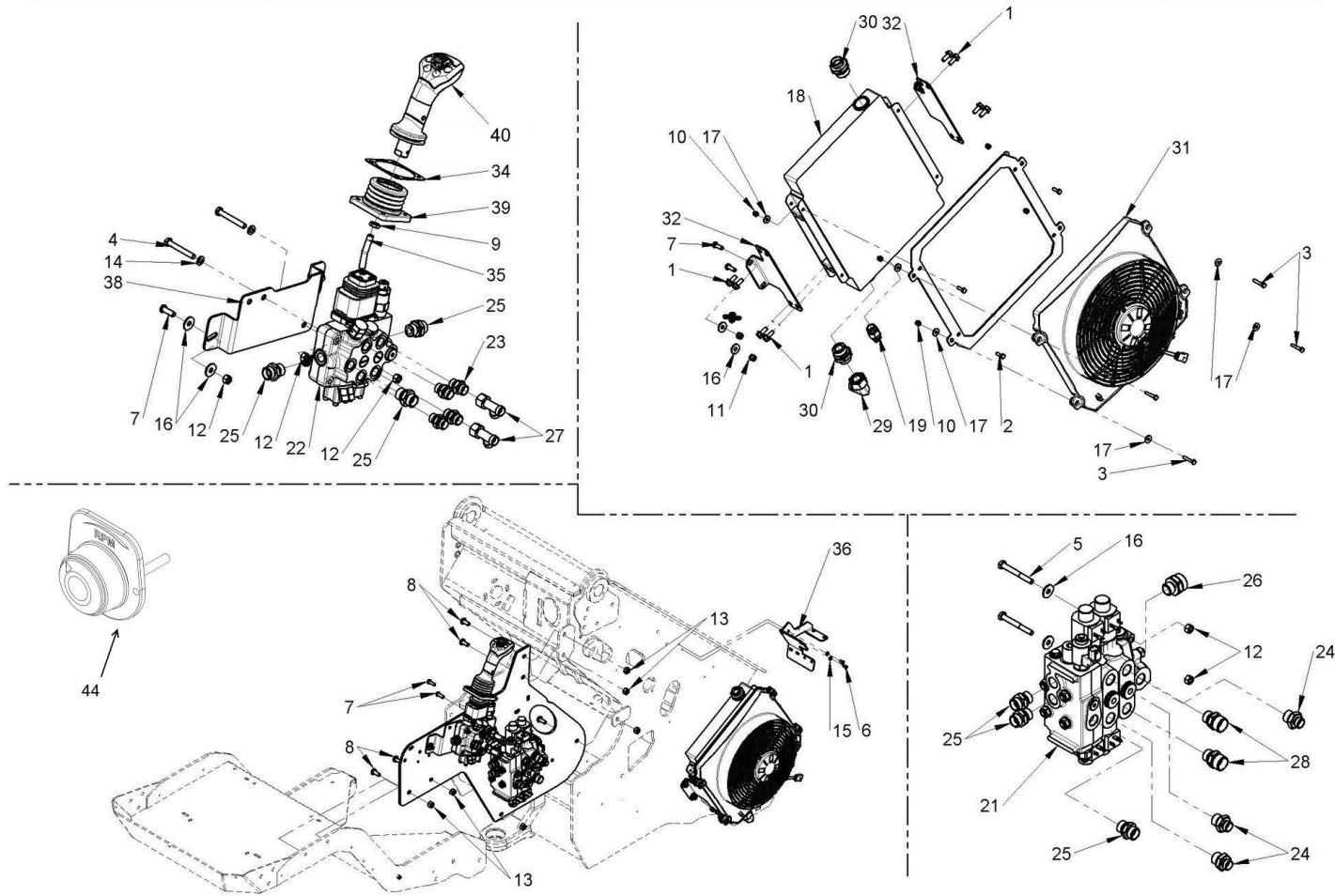
15	C029031	STAINLESS STEEL CLAMP 40-60 BELT 12	10.00000
16	C029034	STAINLESS STEEL CLAMP 60-80 BELT 12	2.00000
17	C029038	STEEL BAND 10-16	8.00000
18	C029041	Ø45 STAINLESS STEEL CLAMP W/RUBBER	1.00000
19	C029046	STAINLESS STEEL CLAMP 20-32 BELT 12	2.00000
20	C030102	OIL SUCTION HOSE Ø19x28	2.00000
21	C030381	MALE PLUG 3/8" G	1.00000
22	C030407	OUTLET CONNECTOR M 1/8""G FOR PIPE 7x12	1.00000
23	C030542	1/2" G BONDED WASHER	1.00000
24	C030629	10.9 KOHLER RADIATOR	1.00000
25	C033301	STRAIGHT HOSE FITTING 1/2" G - 3/4" HOSE	1.00000
26	C034152	COOLANT EXPANSION TANK	1.00000
27	C035003	FUEL HOSE 7x13	8.00000
28	C035139	SILENT BLOCK T-50 Ø50 H=58 M8x20 MALE THREAD	3.00000
29	C035169	UPPER ENGINE COOLER PIPE, KOHLER	1.00000
30	C035170	LOWER ENGINE COOLER PIPE, KOHLER	1.00000
31	C036017	ENGINE COOLER DAMPING PAD	6.00000
32	C036023	INTERCOOLER TO ENGINE KDI PIPE	1.00000
33	C036025	TURBO TO INTERCOOLER PIPE	1.00000
34	C036048	TURBO TO INTERCOOLER PIPE	1.00000
35	C036049	TURBO TO INTERCOOLER PIPE	1.00000
36	C036050	İ50 PIPE COMPRESSOR-INTERCOOLER	1.00000
37	C036052	İ50 PIPE COMPRESSOR-INTERCOOLER	1.00000
38	C038723	FUEL CUP, NO KEY	1.00000
39	C038759	M1 10 FUEL SENSOR	1.00000
40	C039185	COMPLETE FUEL FILTER	1.00000
41	C220491	50 LT FUEL TANK M1 9, 10	1.00000
42	C282491	FUEL TANK HOLDER	1.00000
43	C282498	UPPER RADIATOR BRACKET	1.00000
44	C282500	LEFT UPRIGHT ENGINE RADIATOR	1.00000
45	C282501	RIGHT UPRIGHT ENGINE RADIATOR	1.00000
46	C282586	SUPPORTO FILTRO DIESEL KOHLER	1.00000
47	C284486	ENGINE COOLER CONVEYOR	1.00000



Component list [TAV. 06 BOOM FIXED PART]

Pos.	Code	Description	Q.ty
1	C018300	SHAFT SEEGER RING Ø40 UNI 7435	1.00000
2	C019201	DIN 6921 M8x16 FLANGED HEAD SCREW	10.00000
3	C019202	DIN 6921 M8x20 FLANGED HEAD SCREW	5.00000
4	C020082	UNI 5739 M8x90 HEX HEAD SCREW	2.00000
5	C020210	UNI EN ISO 4762 M6x16 HEX SOCKET HEAD CAP SCREW	8.00000
6	C021413	SETTING HEAD 1"G	4.00000
7	C023041	M8 NORD LOCK WASHER	5.00000
8	C023071	UNI 6592 FLAT WASHER M8 - 8,4x16x1,6	2.00000
9	C023110	UNI 6593 LARGE WASHER M6 - 6,5x18x1,5	8.00000
10	C033001	MALE-MALE CONNECTOR 3/8" G - 12 L	2.00000
11	C035140	UPPER PLATE FOR DOUBLE HOSE HOLDER	2.00000
12	C035159	DOUBLE PIPE CLAMP 12-18	12.00000
13	C036039	CLOSED FAIRLEAD Ø19	1.00000
14	C036805	SEAL KIT FOR CYLINDER BORE 50 ROD 30	1.00000

15	C036845	SEAL KIT FOR C282709	1.00000
16	C037639	RADIAL SPHERICAL PLAIN BEARINGS GE 40 FO 2RS	2.00000
17	C090030	GREASER NIPPLE M10x1 UNI 7663A	2.00000
18	C090032	GREASER M6x1 UNI 7663A	2.00000
19	C274024	Ø88-Ø40,5 TH 1,5 SPACER	2.00000
20	C281623	Ø40x635 PIN	1.00000
21	C281704	Ø30x85 PIN	1.00000
22	C281765	FLANGED PIN Ø40 L=90	1.00000
23	C281799	PIN Ø40 L=120	1.00000
24	C281859	SLIDING STUD M1 5->10 SERIES	4.00000
25	C282709	80-35-454 LIFTING BOOM CYLINDER M1 9 SD 9	1.00000
26	C282428	CYLINDER EXTENSION BOOM	1.00000
27	C282446	BOOM RUBBER FIXER	2.00000
28	C282468	HOSE PROTECTION SHIELD	1.00000
29	C282469	TELESCOPIC ARM RUBBER PROTECTION	2.00000
30	C282667	SLIDING PAD BOOM BRACKET	2.00000
31	C282774	SPACER	1.00000
32	C282775	FIXED PART TELESCOPIC BOOM	1.00000
33	C282780	SLIDING PAD	2.00000
34	C284489	Ø40-Ø46 TH 3 SPACER	1.00000
35	C284498	BOOM RUBBER FIXER	2.00000
36	C284499	SLIDING PAD BOOM BRACKET	2.00000
50	C810499	WEO ARM HOSES M1 9-10, SD 9	1.00000



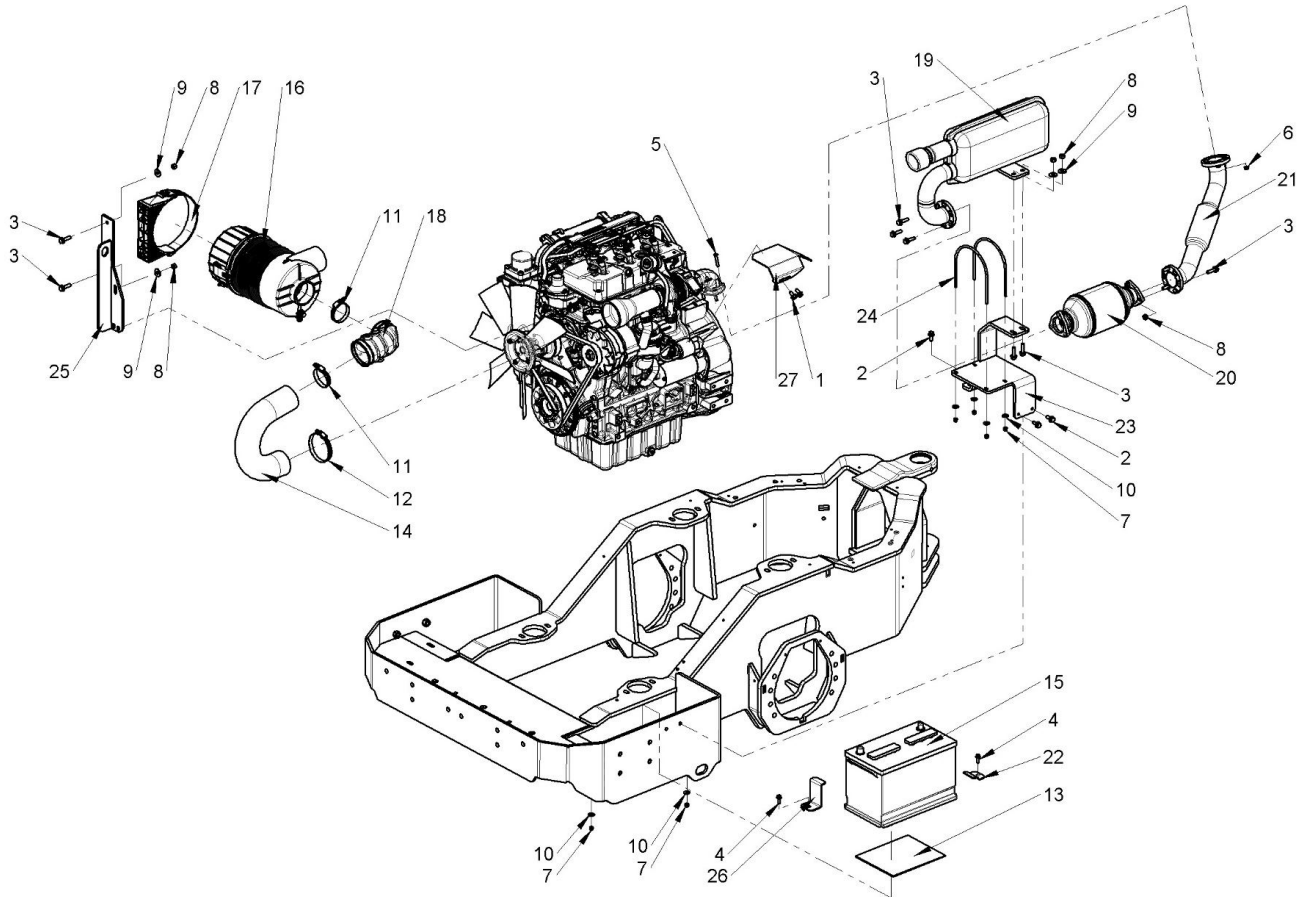
Component list [TAV. 07 M1 9.6-10 RIGHT SIDE]

Pos.	Code	Description	Q.ty
1	C019202	DIN 6921 M8x20 FLANGED HEAD SCREW	8.00000
2	C020051	ISO 4017 M6x20 SCREW	4.00000
3	C020054	HEXAGON HEAD SCREW M6x35 ZB UNI 4017	4.00000
4	C020080	HEXAGON HEAD SCREW M8x60 UNI 5739	2.00000
5	C020086	HEXAGON HEAD BOLT 8.8 M8x70 ISO 4014	2.00000
6	C020542	ISO 7380 M6x12 HEX SOCKET OVAL HEAD SCREW	2.00000
7	C020543	ISO 7380 M8x25 HEX SOCKET OVAL HEAD SCREW	6.00000
8	C020550	ISO 7380 M10x25 HEX SOCKET OVAL HEAD SCREW	6.00000
9	C021013	HEXAGON NUT M10 UNI 5589	1.00000
10	C021104	UNI 7473 SELF-LOCKING NUT M6	8.00000
11	C021502	SLOTTED AND CASTLE HEXAGON NUTS M8 DIN980	4.00000
12	C021502	SLOTTED AND CASTLE HEXAGON NUTS M8 DIN980	6.00000
13	C021503	SLOTTED AND CASTLE HEXAGON NUTS M10 DIN980	6.00000
14	C023071	UNI 6592 FLAT WASHER M8 - 8,4x16x1,6	2.00000



Draft and part list report
Serial n / code M351945 / C965005
Description MULTIONE 9.6KDI

15	C023090	UNI 6592 FLAT WASHER M6 - 6,4x12x1,6	2.00000
16	C023100	UNI 6593 LARGE WASHER M8 - 8,5x24x2	10.00000
17	C023110	UNI 6593 LARGE WASHER M6 - 6,5x18x1,5	12.00000
18	C030588	OIL COOLER FOR MULTIONE S/SL800 SERIES	1.00000
19	C030606	THERMOSWITCH 50-60° M22x1,5	1.00000
21	C030778	2 SECTION ELECTRIC HYDR DISTRIBUTOR	1.00000
22	C030779	2 SECTION HYDR DISTRIBUTOR	1.00000
23	C033001	MALE-MALE CONNECTOR 3/8" G - 12 L	4.00000
24	C033002	MALE-MALE CONNECTOR 1/2" G - 12L	3.00000
25	C033003	MALE-MALE CONNECTOR 1/2" G - 15L	6.00000
26	C033014	MALE-MALE CONNECTOR 1/2" G - 22L	1.00000
27	C033032	TEE FITTING SW.F-M-M 12L	2.00000
28	C033107	MALE-MALE CONNECTOR 1/2" G - 18L	2.00000
29	C033130	90° ELBOW SW.F 22L - M 22L	1.00000
30	C033137	MALE-MALE CONNECTOR 1" G - 22L	2.00000
31	C034002	SUCTION ELETTRIC FAN Ø305	1.00000
32	C272049	BRACKET OIL COOLER	2.00000
33	C272050	ELETTROFAN SUPPORT	1.00000
34	C284378	RUBBER PROTECTION FRAME	2.00000
35	C272094	M10 JOYSTICK PIN	1.00000
36	C281639	RELAY SUPPORT	1.00000
37	C281746	HYDRAULIC VALVES SIDE SUPPORT	1.00000
38	C281853	DISTRIBUTOR SUPPORT	1.00000
39	C028056	JOYSTICK RUBBER PROTECTION	1.00000
40	C030653	MULTIFUNCTION JOYSTICK	1.00000
44	C030866	THROTTLE HANDLE WITH SCALE	1.00000



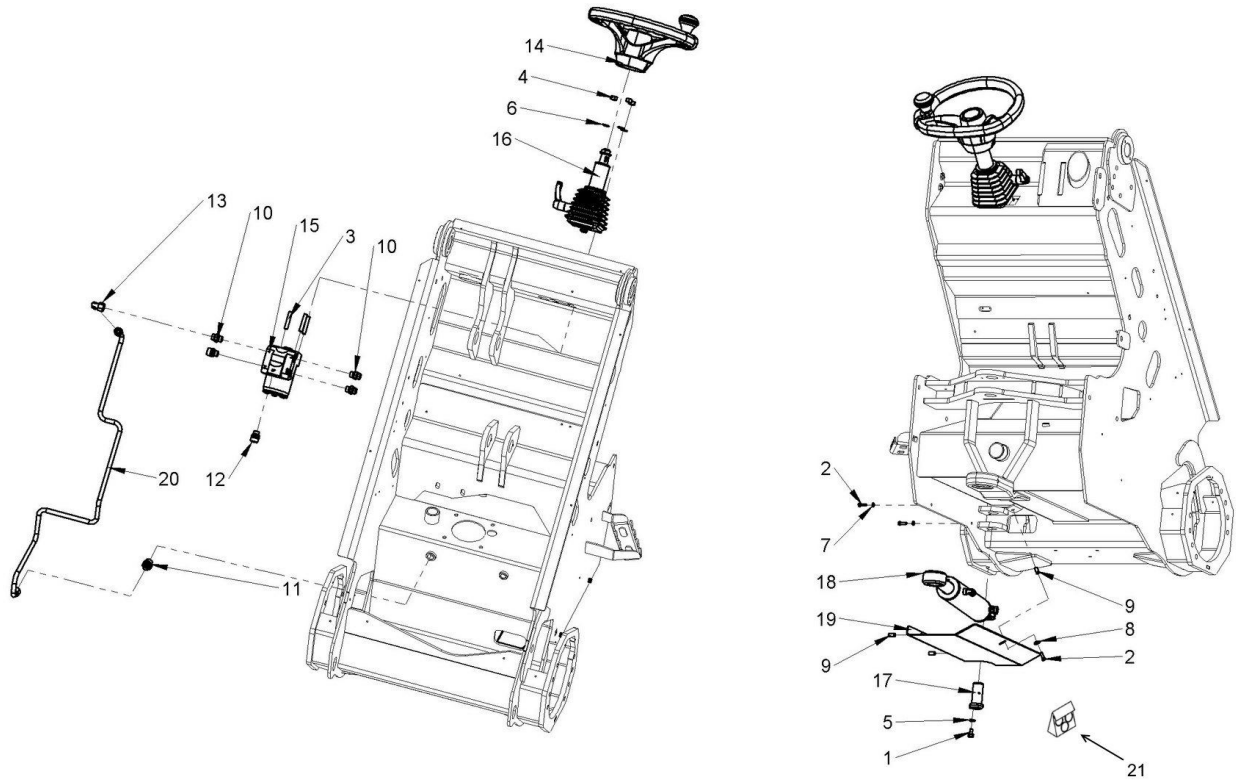
Component list [TAV. 08 MUFFLER, BATTERY, AIR FILTER]

Pos.	Code	Description	Q.ty
1	C019201	DIN 6921 M8x16 FLANGED HEAD SCREW	2.00000
2	C019202	DIN 6921 M8x20 FLANGED HEAD SCREW	3.00000
3	C019204	DIN 6921 M8x30 FLANGED HEAD SCREW	10.00000
4	C019212	DIN 6921 M6x20 FLANGED HEAD SCREW	2.00000
5	C020054	HEXAGON HEAD SCREW M6x35 ZB UNI 4017	3.00000
6	C021018	M6 SERPRESS SLOTTED HEX NUT	3.00000
7	C021104	UNI 7473 SELF-LOCKING NUT M6	6.00000
8	C021502	SLOTTED AND CASTLE HEXAGON NUTS M8 DIN980	10.00000
9	C023100	UNI 6593 LARGE WASHER M8 - 8,5x24x2	4.00000
10	C023110	UNI 6593 LARGE WASHER M6 - 6,5x18x1,5	6.00000
11	C029034	STAINLESS STEEL CLAMP 60-80 BELT 12	2.00000
12	C029043	STAINLESS STEEL CLAMP 80-100 BELT 12	1.00000
13	C029253	SILENT BLOCK RUBBER PANNEL 210x175x3	1.00000
14	C036044	9.6 AIR INTAKE Ø76 PIPE	1.00000



Draft and part list report
Serial n / code M351945 / C965005
Description MULTIONE 9.6KDI

15	C036411	BATTERY 12V 100 AH	1.00000
16	C039078	7 INCH AIR FILTER BODY	1.00000
17	C039144	7 INCH AIR FILTER FAST CLAMP	1.00000
18	C039145	RUBBER PIPE BENDS FOR 7 INCH AIR FILTER	1.00000
19	C039166	M1 9.6-10.9 MUFFLER	1.00000
20	C039168	KOHLER ENGINE DOC	1.00000
21	C039187	EXHAUST FLEX COLLECTOR	1.00000
22	C277108	BATTERY BRACKET	1.00000
23	C282521	M1 9.6-10.9 MUFFLER AND CATALYST SUPPORT	1.00000
24	C282539	CATALYST BRACKET	2.00000
25	C282541	M1 9.6-10.9 AIR FILTER SUPPORT	1.00000
26	C282598	BATTERY BRACKET	1.00000
27	C282986	TURBINE PROTECTION SHIELD	1.00000



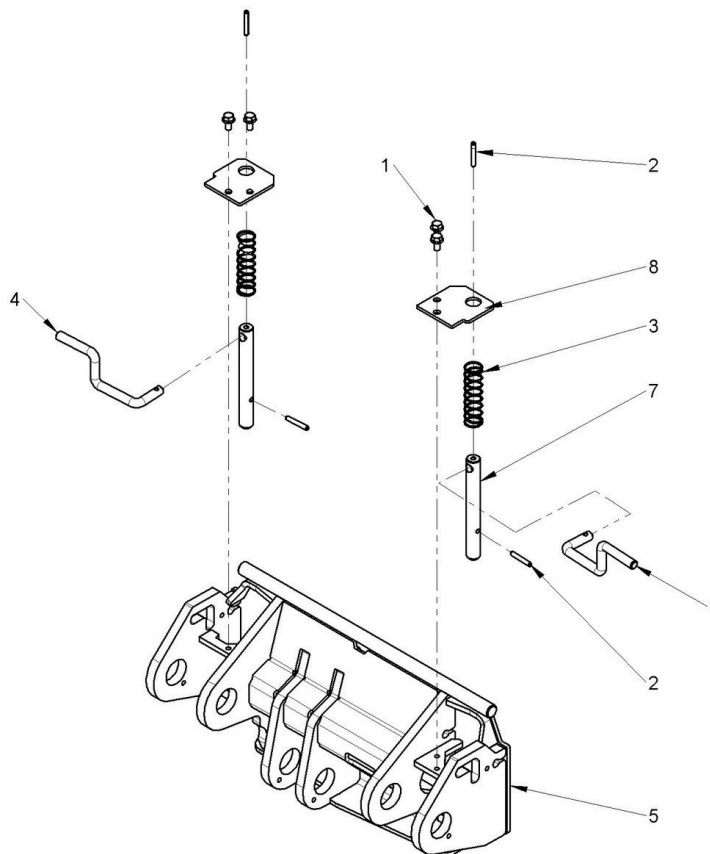
Component list [TAV. 09 M1 10 POWER STEERING]

Pos.	Code	Description	Q.ty
1	C019201	DIN 6921 M8x16 FLANGED HEAD SCREW	1.00000
2	C020051	ISO 4017 M6x20 SCREW	3.00000
3	C020551	THREAD BAR M10X50	3.00000
4	C021503	SLOTTED AND CASTLE HEXAGON NUTS M10 DIN980	3.00000
5	C023041	M8 NORD LOCK WASHER	1.00000
6	C023080	UNI 6592 FLAT WASHER M10 - 10,5x20x2	3.00000
7	C023090	UNI 6592 FLAT WASHER M6 - 6,4x12x1,6	2.00000
8	C023110	UNI 6593 LARGE WASHER M6 - 6,5x18x1,5	1.00000
9	C028271	THREAD INSERT M6	3.00000
10	C033001	MALE-MALE CONNECTOR 3/8" G - 12 L	3.00000
11	C033002	MALE-MALE CONNECTOR 1/2" G - 12L	1.00000
12	C033003	MALE-MALE CONNECTOR 1/2" G - 15L	2.00000
13	C033024	90° ELBOW SW. F 12L - M 12L	1.00000
14	C036465	STEERING WHEEL BLUE	1.00000



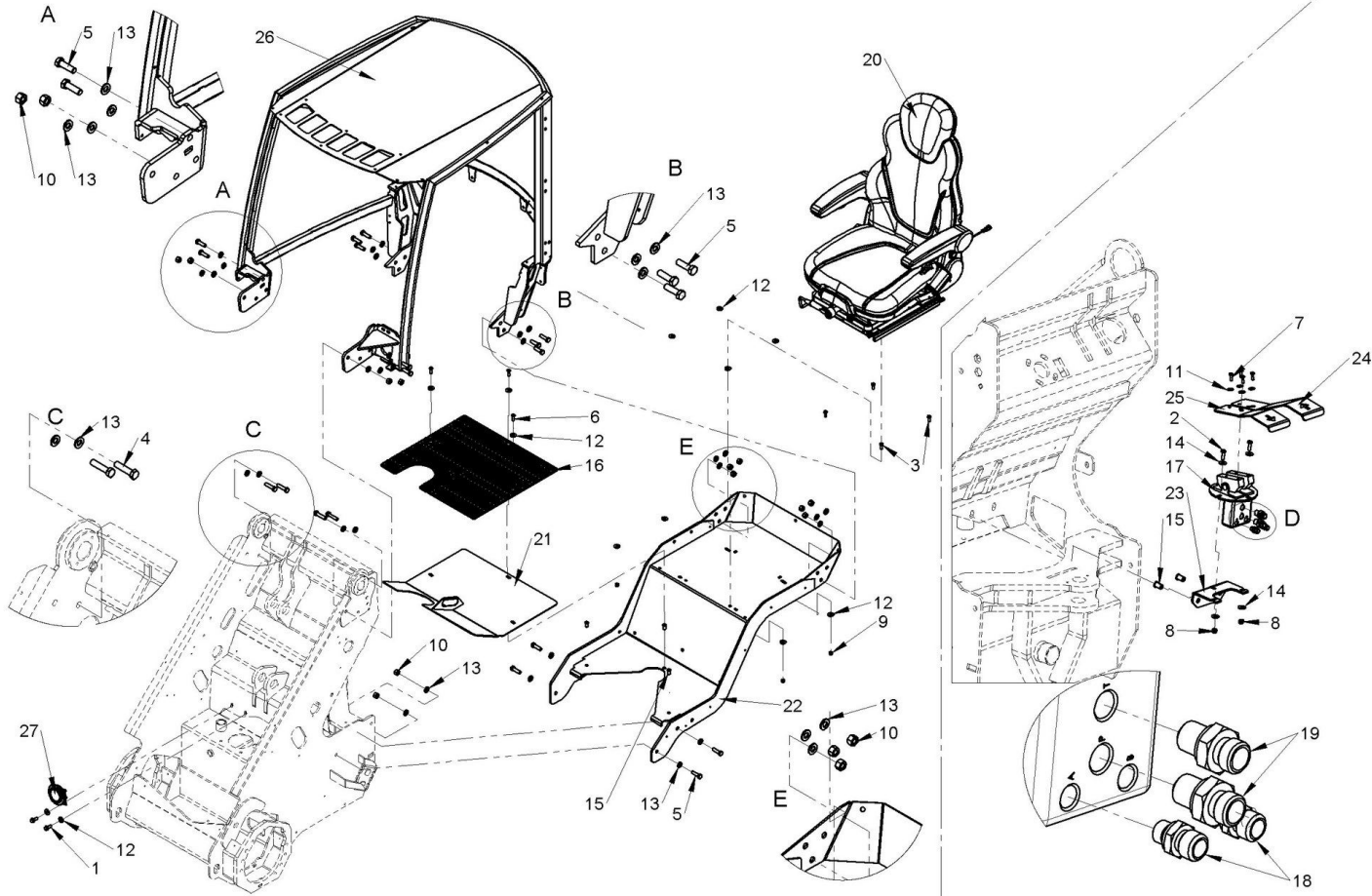
Draft and part list report
Serial n / code M351945 / C965005
Description MULTIONE 9.6KDI

15	C038512	STEERING UNIT 125CC	1.00000
16	C038517	ADJUSTING STEERING COLUMN L=150	1.00000
17	C230164	FLANGED PIN Ø30 L=66	1.00000
18	C282425	POWER STEERING CYLINDER	1.00000
19	C282549	POWER STERRING CYLINDER PROTECTION	1.00000
20	C810376/04		1.00000
21	C036830	İ60 BORE İ40 ROD CYLINDER SEAL KIT	1.00000



Component list [TAV. 10 M1 6-10 COUPLING PLATE]

Pos.	Code	Description	Q.ty
1	C019201	DIN 6921 M8x16 FLANGED HEAD SCREW	4.00000
2	C028249	ISO 2338 PIN Ø6x45	4.00000
3	C220330	COMPRESSION SPRING	2.00000
4	C281827	LEFT LEVER, COUPLING PLATE	1.00000
5	C281860	COUPLING PLATE	1.00000
6	C281869	RIGHT LEVER, COUPLING PLATE	1.00000
7	C281870/L	LOCKIN ATTACHMENTS PIN	2.00000
8	C281871	CENTERING PIN PLATE	2.00000



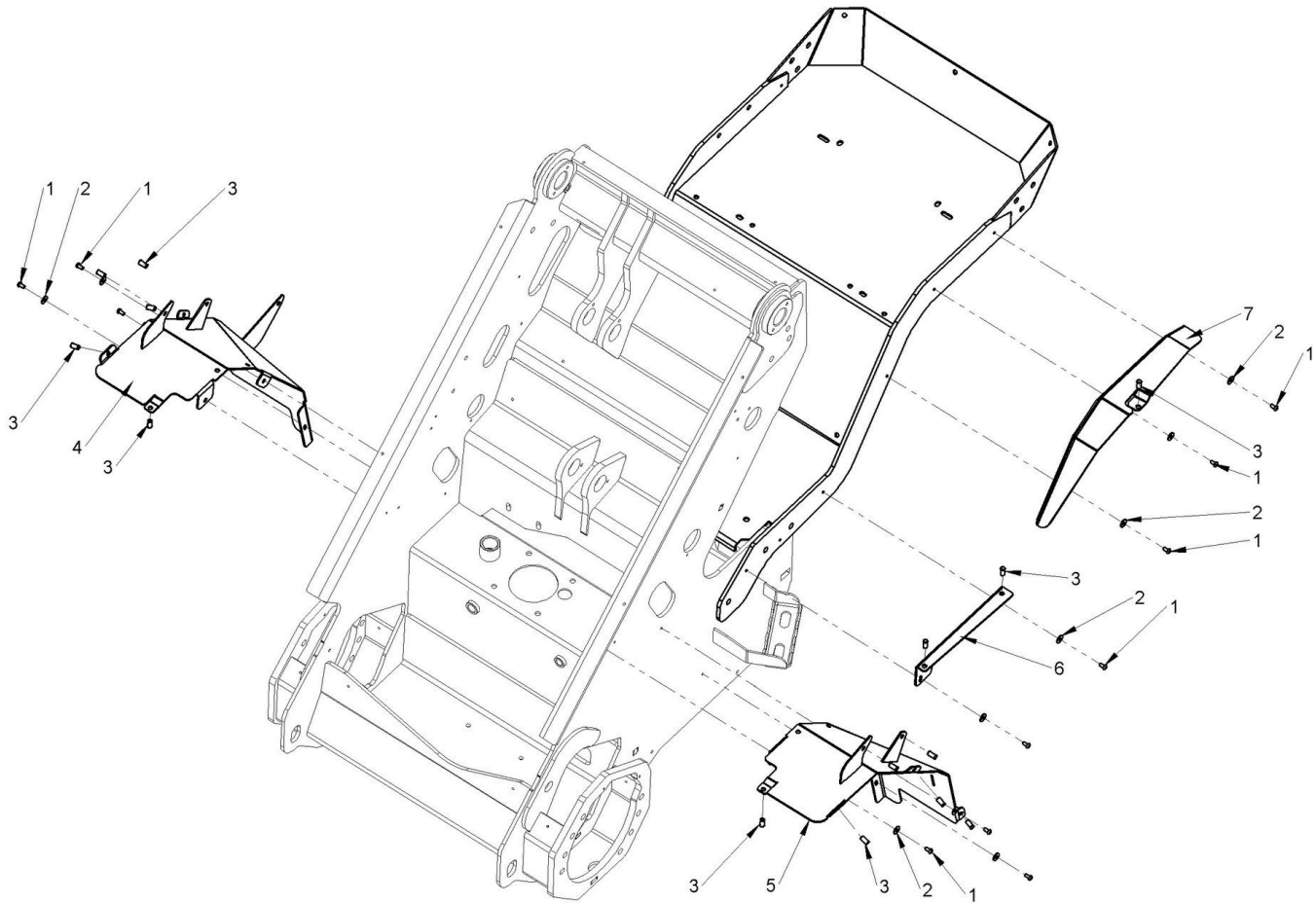
Component list [TAV. 11 M1 9 ROLLBAR, SEAT, SUPPORT SEAT]

Pos.	Code	Description	Q.ty
1	C019203	DIN 6921 M8x25 FLANGED HEAD SCREW	2.00000
2	C020051	ISO 4017 M6x20 SCREW	2.00000
3	C020072	UNI 5739 M8x20 HEX HEAD SCREW	4.00000
4	C020136	HEXAGON HEAD SCREW 8.8 M12X50 ISO4017	4.00000
5	C020139	HEXAGON HEAD SCREW M12x40 UNI 5739	14.00000
6	C020543	ISO 7380 M8x25 HEX SOCKET OVAL HEAD SCREW	3.00000
7	C020547	ISO 7380 M5x16 HEX SOCKET OVAL HEAD SCREW	4.00000
8	C021104	UNI 7473 SELF-LOCKING NUT M6	2.00000
9	C021502	SLOTTED AND CASTLE HEXAGON NUTS M8 DIN980	4.00000
10	C021504	SLOTTED AND CASTLE HEXAGON NUTS M12 DIN980	14.00000
11	C023098	UNI 6593 LARGE WASHER M5 - 5,5x15x1,5	4.00000
12	C023100	UNI 6593 LARGE WASHER M8 - 8,5x24x2	13.00000
13	C023102	UNI 6592 FLAT WASHER M12 - 13x24x2,5	32.00000
14	C023110	UNI 6593 LARGE WASHER M6 - 6,5x18x1,5	4.00000



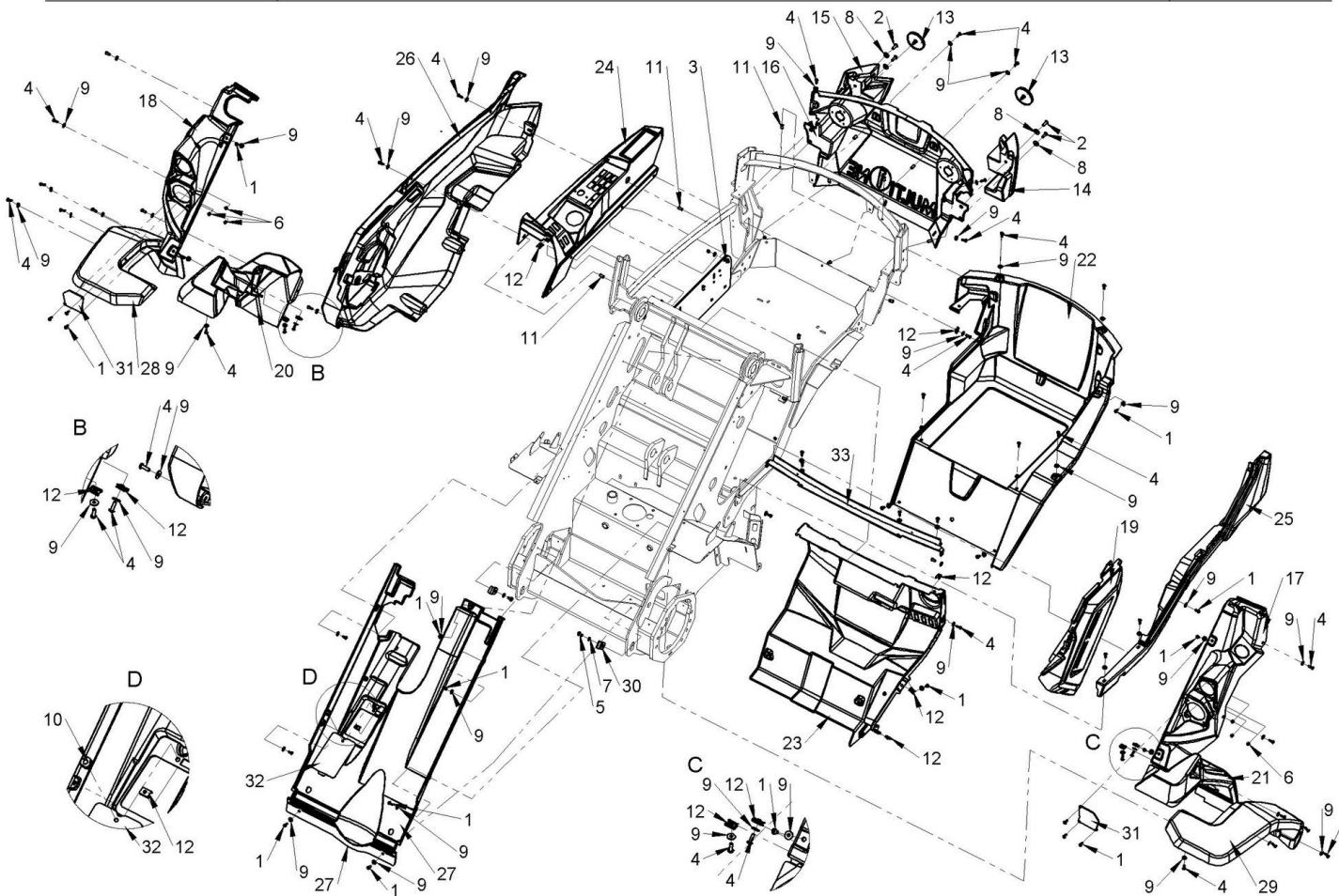
Draft and part list report
Serial n / code M351945 / C965005
Description MULTIONE 9.6KDI

15	C028270	THREAD INSERT M8	5.00000
16	C029259	ROOF PADS FOR MULTIONE M1	1.00000
17	C030729	TWIN PEDAL CONTROL BLOCK W/OUT PEDAL	1.00000
18	C033008	MALE-MALE CONNECTOR 1/8" G - 6L	2.00000
19	C033134	MALE-MALE CONNECTOR 1/4" G - 8L	2.00000
20	C036772	FULL SUSPENSION LUXURY HEATED SEAT BLACK	1.00000
21	C281747	UNDER FEET PLATFORM	1.00000
22	C281763	FIXING BASE SEAT M1 6->10	1.00000
23	C281766	PEDAL CONTROL BLOCK SUPPORT	1.00000
24	C281767	FORWARD PEDAL	1.00000
25	C281768	BACKWARDS PEDAL	1.00000
26	C282200	ROLL-BAR FRAME	1.00000



Component list [TAV. 12 M1 9-10 FRONT COVER SUPPORT]

Pos.	Code	Description	Q.ty
1	C020542	ISO 7380 M6x12 HEX SOCKET OVAL HEAD SCREW	11.00000
2	C023110	UNI 6593 LARGE WASHER M6 - 6,5x18x1,5	11.00000
3	C028271	THREAD INSERT M6	15.00000
4	C281883	RIGHT MUDGUARD ASSEMBLY	1.00000
5	C281884	LEFT MUDGUARD ASSEMBLY	1.00000
6	C281894	SUPPORT FOR PLASTIC STEP FRAME M1 3->10	1.00000
7	C281895	UNDER SEAT COVER SUPPORT REV.01	1.00000



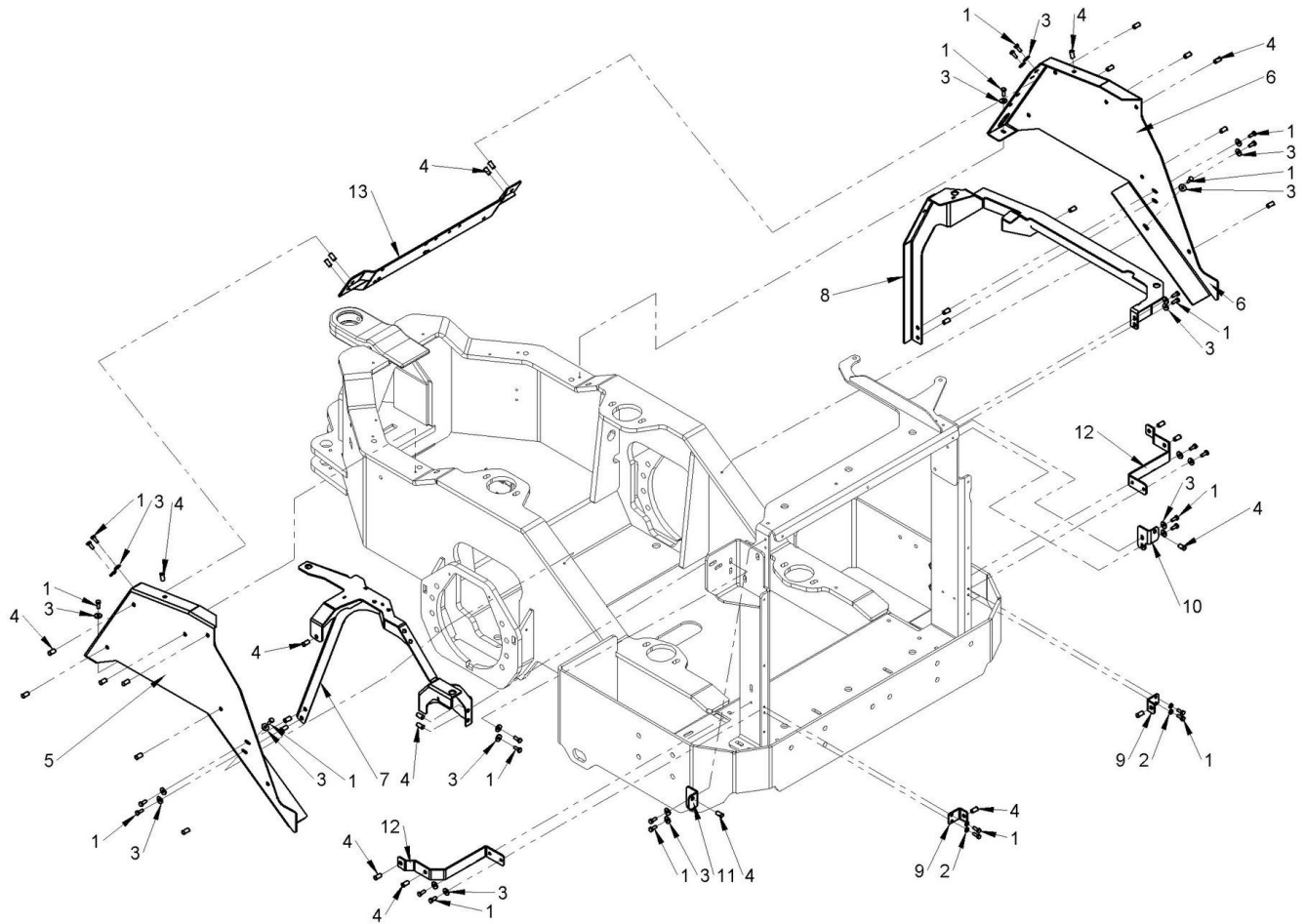
Component list [TAV. 13 M1 9.6-10 FRONT COVER]

Pos.	Code	Description	Q.ty
1	C020145	ISO 7380 M6x16 HEX SOCKET OVAL HEAD SCREW	32.00000
2	C020543	ISO 7380 M8x25 HEX SOCKET OVAL HEAD SCREW	4.00000
3	C020546	ISO 7380 M6x25 HEX SOCKET OVAL HEAD SCREW	3.00000
4	C020548	ISO 7380 M6x20 HEX SOCKET OVAL HEAD SCREW	46.00000
5	C020549	ISO 7380 M8x16 HEX SOCKET OVAL HEAD SCREW	2.00000
6	C021104	UNI 7473 SELF-LOCKING NUT M6	9.00000
7	C023071	UNI 6592 FLAT WASHER M8 - 8,4x16x1,6	2.00000
8	C023100	UNI 6593 LARGE WASHER M8 - 8,5x24x2	4.00000
9	C023110	UNI 6593 LARGE WASHER M6 - 6,5x18x1,5	79.00000
10	C028024	THREE-LOBED LOWERED HANDWHEEL WITH M6x20 THREADED PIN	1.00000
11	C028271	THREAD INSERT M6	17.00000
12	C028285	MULTITHREAD U-TYPE NUT M6	12.00000
13	C034018	Ø80 RED RETRO REFLECTOR	2.00000
14	C041386	LEFT RUBBER PROTECTION M1 2-6->10-SD	1.00000



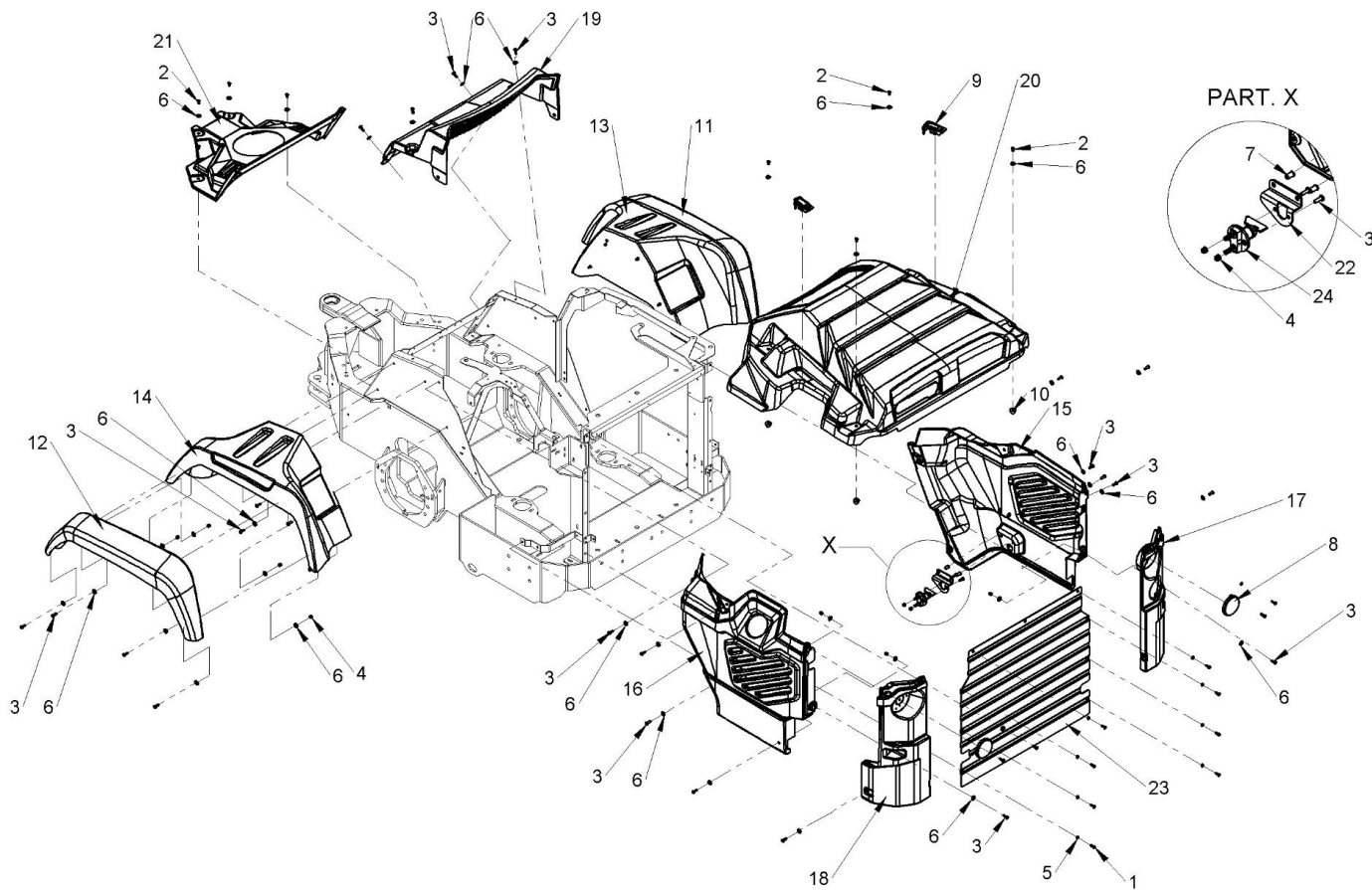
Draft and part list report
Serial n / code M351945 / C965005
Description MULTIONE 9.6KDI

15	C041387	RIGHT RUBBER PROTECTION MK-MZ	1.00000
16	C041427	BACK CABIN COVER WITH NO A/C	1.00000
17	C041429	FRONT LEFT LIGHT SUPPORT	1.00000
18	C041430	FRONT RIGHT LIGHT SUPPORT	1.00000
19	C041431	FRONT LEFT SIDE COVER	1.00000
20	C041432	FRONT RIGHT WHEEL BOX	1.00000
21	C041433	FRONT LEFT WHEEL BOX	1.00000
22	C041437	UNDER SEAT COVER	1.00000
23	C041438	FRONT DASHBOARD COVER	1.00000
24	C041442	M1 8.5-9.6-10 RIGHT SIDE DASHBOARD	1.00000
25	C041443	LEFT DOOR SLAM	1.00000
26	C041446	COMPOSED FRONT RIGHT SIDE	1.00000
27	C041456	UNDER BOOM COVER	1.00000
28	C041457	FRONT RIGHT MUDGUARD EXTENSION	1.00000
29	C041458	FRONT LEFT MUDGUARD EXTENSION	1.00000
30	C277807	BOOM STOPPER ON FRONT FRAME	2.00000
31	C281604	ROAD HOLE BLINDING PLATE	2.00000
32	C281893	OIL TANK INSPECTION DOOR	1.00000
33	C282239	FRONT GLASS SUPPORT	1.00000



Component list [TAV. 14 M1 9-10 REAR COVER SUPPORT]

Pos.	Code	Description	Q.ty
1	C020050	UNI 5739 M6x16 HEX HEAD SCREW	28.00000
2	C023090	UNI 6592 FLAT WASHER M6 - 6,4x12x1,6	4.00000
3	C023110	UNI 6593 LARGE WASHER M6 - 6,5x18x1,5	24.00000
4	C028271	THREAD INSERT M6	34.00000
5	C282550	REAR LEFT MUDGUARD SUPPORT	1.00000
6	C282551	REAR RIGHT MUDGUARD SUPPORT	1.00000
7	C282552	REAR LEFT COVER SUPPORT	1.00000
8	C282557	RIGHT SUPPORT COVER FRAME	1.00000
9	C282593	REAR COVER SUPPORT	2.00000
10	C282594	REAR RIGHT UPPER COVER SUPPORT	1.00000
11	C282595	REAR LEFT UPPER COVER SUPPORT	1.00000
12	C282597	REAR LOWER COVER SUPPORT	2.00000
13	C282716	ECU SUPPORT	1.00000



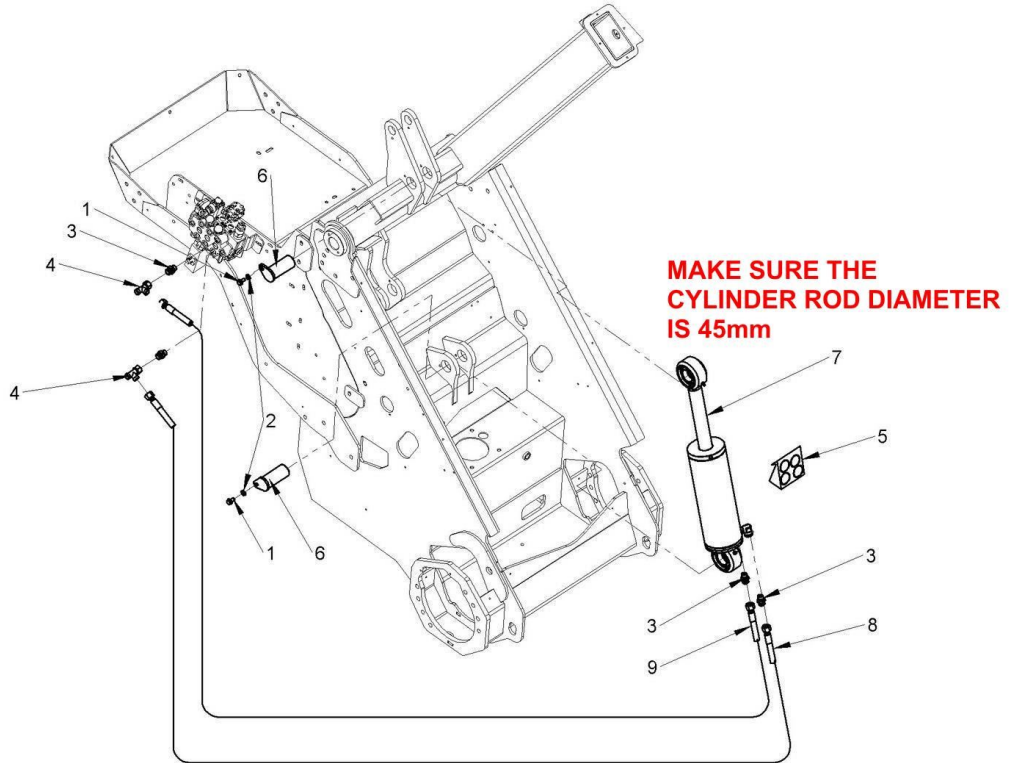
Component list [TAV. 15 M1 9.6 - 10.9 REAR COVER]

Pos.	Code	Description	Q.ty
1	C020050	UNI 5739 M6x16 HEX HEAD SCREW	8.00000
2	C020542	ISO 7380 M6x12 HEX SOCKET OVAL HEAD SCREW	8.00000
3	C020548	ISO 7380 M6x20 HEX SOCKET OVAL HEAD SCREW	42.00000
4	C021104	UNI 7473 SELF-LOCKING NUT M6	14.00000
5	C023090	UNI 6592 FLAT WASHER M6 - 6,4x12x1,6	10.00000
6	C023110	UNI 6593 LARGE WASHER M6 - 6,5x18x1,5	58.00000
7	C028271	THREAD INSERT M6	2.00000
8	C034018	Ø80 RED RETRO REFLECTOR	2.00000
9	C035045	LOCK HANDLE	2.00000
10	C035142	PARABOLIC SILENT BLOCK ĩ24 H=16	8.00000
11	C041461	REAR RIGHT MUDGUARD EXTENSION	1.00000
12	C041462	REAR LEFT MUDGUARD EXTENSION	1.00000
13	C041464	M1 9 10 REAR RIGHT MUDGUARD	1.00000
14	C041465	M1 9 10 REAR LEFT MUDGUARD	1.00000



Draft and part list report
Serial n / code M351945 / C965005
Description MULTIONE 9.6KDI

15	C041466	REAR RIGHT SIDE COVER	1.00000
16	C041467	REAR LEFT SIDE COVER	1.00000
17	C041517	REAR RIGHT LIGHT SUPPORT	1.00000
18	C041518	REAR LEFT LIGHT SUPPORT	1.00000
19	C041522	OVER PUMP COVER	1.00000
20	C041524	OVER ENGINE ASSEMBLY COVER	1.00000
21	C041539	TERMOFORMATO CON FORO SOPRA CERNIERA M1 9-10	1.00000
22	C281889	BATTERY SWITCH SUPPORT	1.00000
23	C282592	M1 9-10 RADIATOR NET	1.00000
24	FF180/0034.0303	BATTERY SWITCH	1.00000

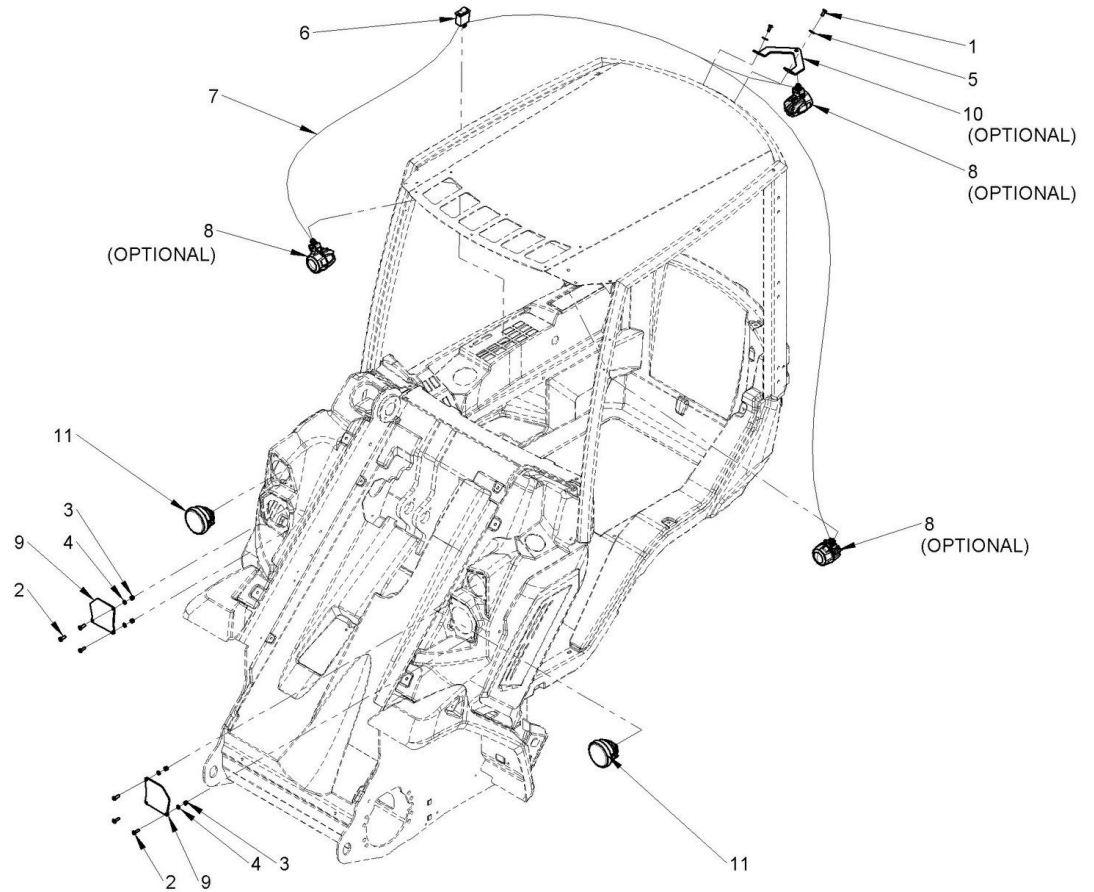


Component list [TAV. 16 M1 9 SELF LEVELING CYLINDER]

Pos.	Code	Description	Q.ty
1	C019201	DIN 6921 M8x16 FLANGED HEAD SCREW	2.00000
2	C023041	M8 NORD LOCK WASHER	2.00000
3	C033001	MALE-MALE CONNECTOR 3/8" G - 12 L	5.00000
4	C033032	TEE FITTING SW.F-M-M 12L	2.00000
5	C036840	100-45 CYLINDER SEALS KIT	1.00000
6	C281765	FLANGED PIN Ø40 L=90	2.00000
7	C284688	100-45-203 SELF-LEVELING CYLINDER M1 9 SERIES	1.00000
8	C810382/24	TUBO 3/8, L=1440, FD 12L, FD 12L HOSE 3/8, L=1440, FD 12L, FD 12L Hose length(mm): 1500 - Pressure rate: 492 Diameter(inc): 3/8 - Phase: 1st fitting: FD 12L - 2nd fitting: FD 12L Protection:	1.00000
9	C810382/25	TUBO 3/8, L=1590, FD 12L, FD 12L HOSE 3/8, L=1590, FD 12L, FD 12L Hose length(mm): 1590 - Pressure rate: 492 Diameter(inc): 3/8 - Phase: 1st fitting: FD 12L - 2nd fitting: FD 12L Protection:	1.00000

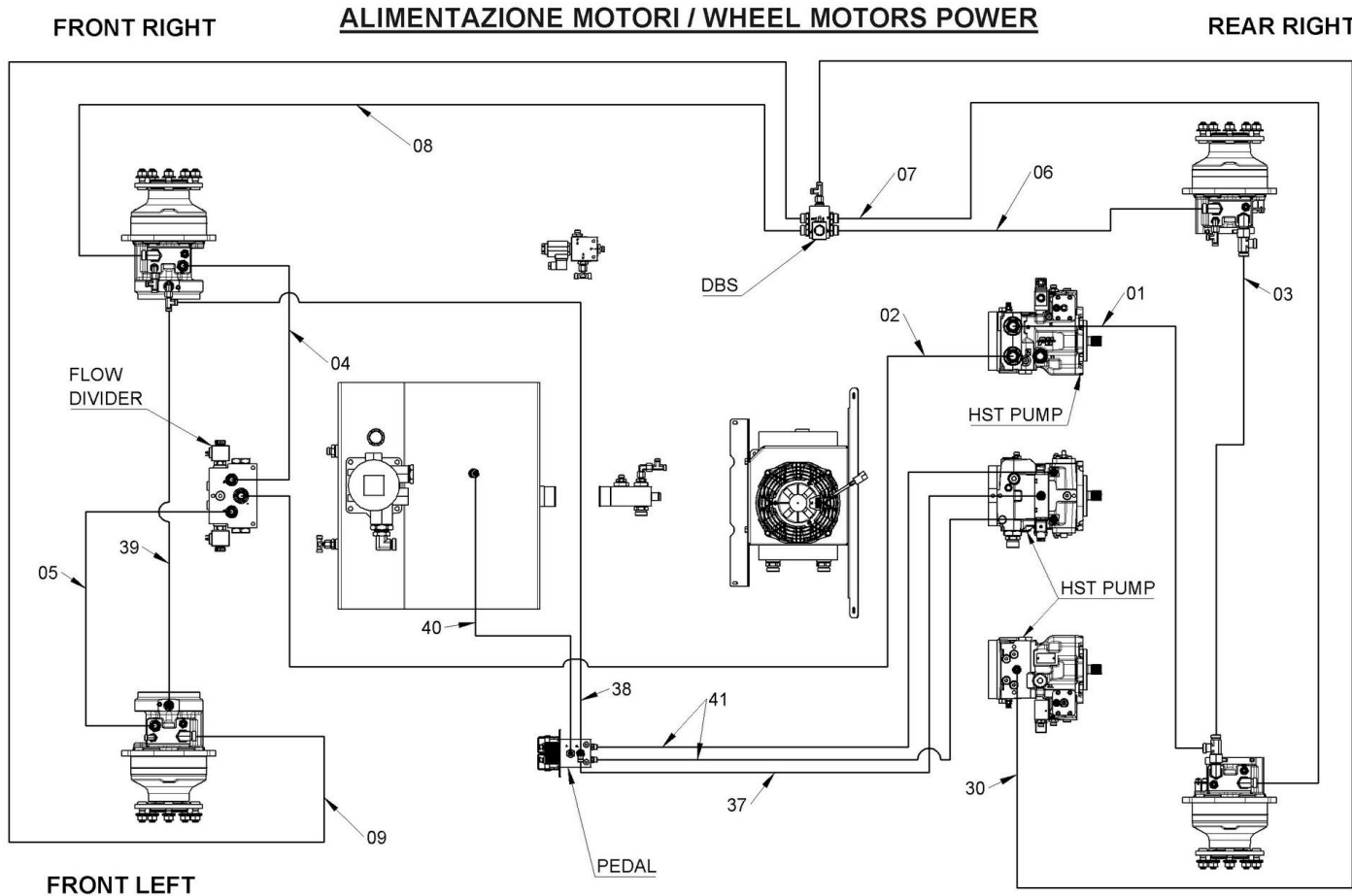


Draft and part list report
Serial n / code M351945 / C965005
Description MULTIONE 9.6KDI



Component list [TAV. 17 M1 6-10 STANDARD AND OPTIONAL WORK LIGHT]

Pos.	Code	Description	Q.ty
1	C020145	ISO 7380 M6x16 HEX SOCKET OVAL HEAD SCREW	2.00000
2	C020548	ISO 7380 M6x20 HEX SOCKET OVAL HEAD SCREW	6.00000
3	C021104	UNI 7473 SELF-LOCKING NUT M6	6.00000
4	C023090	UNI 6592 FLAT WASHER M6 - 6,4x12x1,6	6.00000
5	C023110	UNI 6593 LARGE WASHER M6 - 6,5x18x1,5	2.00000
9	C281604	ROAD HOLE BLINDING PLATE	2.00000
10	C282236	BACK WORK LIGHT SUPPORT	1.00000



Component list [TAV. 18-1 TRANSMISSION HYDRAULIC DIAGRAM]

Pos.	Code	Description	Q.ty
1	C810383/01	Hose length(mm): 400 - Pressure rate: 3SK Diameter(inc): 5/8 - Phase:220 1st fitting: F90 20S - 2nd fitting: F90 16S Protection:	1.00000
2	C810383/02	Hose length(mm): 1720 - Pressure rate: 3SK Diameter(inc): 5/8 - Phase: 1st fitting: F90 20S - 2nd fitting: FD 16S Protection:	1.00000
3	C810383/03	Hose length(mm): 560 - Pressure rate: 3SK Diameter(inc): 5/8 - Phase: 1st fitting: F90 16S - 2nd fitting: FD 16S Protection:	1.00000
4	C810383/04	Hose length(mm): 260 - Pressure rate: 3SK Diameter(inc): 5/8 - Phase:340 1st fitting: F90 16S - 2nd fitting: F45 16S Protection:	1.00000

5	C810383/05	Hose length(mm): 270 - Pressure rate: 3SK Diameter(inc): 5/8 - Phase:20 1st fitting: F90 16S - 2nd fitting: F45 16S Protection:	1.00000
6	C810383/06	Hose length(mm): 600 - Pressure rate: 3SK Diameter(inc): 5/8 - Phase:20 1st fitting: F45 16S - 2nd fitting: F45 16S Protection:	1.00000
7	C810383/07	Hose length(mm): 350 - Pressure rate: 3SK Diameter(inc): 5/8 - Phase:270 1st fitting: F90 16S - 2nd fitting: F45 16S Protection:	1.00000
8	C810383/08	Hose length(mm): 1770 - Pressure rate: 3SK Diameter(inc): 5/8 - Phase:200 1st fitting: F45 16S - 2nd fitting: F45 16S Protection:	1.00000
9	C810383/09	Hose length(mm): 1430 - Pressure rate: 3SK Diameter(inc): 5/8 - Phase:90 1st fitting: F90 16S - 2nd fitting: F45 16S Protection:	1.00000
10	C810383/10	Hose length(mm): 510 - Pressure rate: R7 Diameter(inc): 1/4 - Phase: 1st fitting: F90 8L - 2nd fitting: FD 8L Protection:	1.00000
11	C810383/11	Hose length(mm): 260 - Pressure rate: R7 Diameter(inc): 1/4 - Phase: 1st fitting: F90 8L - 2nd fitting: FD 8L Protection:	1.00000
12	C810383/12	Hose length(mm): 600 - Pressure rate: R7 Diameter(inc): 1/4 - Phase:0 1st fitting: F90 8L - 2nd fitting: F90 8L Protection:	1.00000
13	C810383/13	Hose length(mm): 630 - Pressure rate: R7 Diameter(inc): 1/4 - Phase: 1st fitting: F90 8L - 2nd fitting: FD 8L Protection:	1.00000
14	C810383/14	Hose length(mm): 1780 - Pressure rate: 492 Diameter(inc): 1/2 - Phase: 1st fitting: FD 15L - 2nd fitting: F90 15L Protection:	1.00000
15	C810383/15	Hose length(mm): 1700 - Pressure rate: 492 Diameter(inc): 1/2 - Phase: 1st fitting: F45 15L - 2nd fitting: FD 15L Protection:	1.00000
16	C810383/16	Hose length(mm): 1730 - Pressure rate: 492 Diameter(inc): 1/2 - Phase: 1st fitting: FD 15L - 2nd fitting: F90 15L Protection:	1.00000



Draft and part list report
Serial n / code M351945 / C965005
Description MULTIONE 9.6KDI

17	C810383/17	Hose length(mm): 300 - Pressure rate: R4 Diameter(inc): 3/4 - Phase:180 1st fitting: F90 22L - 2nd fitting: F90 22L Protection:	1.00000
18	C810383/18	Hose length(mm): 830 - Pressure rate: R4 Diameter(inc): 3/4 - Phase:0 1st fitting: F90 22L - 2nd fitting: F90 22L Protection:	1.00000
19	C810383/19	Hose length(mm): 300 - Pressure rate: R4 Diameter(inc): 3/4 - Phase:0 1st fitting: F90 22L - 2nd fitting: F90 22L Protection:	1.00000
20	C810383/20	Hose length(mm): 900 - Pressure rate: 492 Diameter(inc): 3/8 - Phase: 1st fitting: F90 12L - 2nd fitting: FD 12L Protection:	1.00000
21	C810383/21	Hose length(mm): 900 - Pressure rate: 492 Diameter(inc): 3/8 - Phase: 1st fitting: F90 12L - 2nd fitting: FD 12L Protection:	1.00000
22	C810383/22	Hose length(mm): 1440 - Pressure rate: 492 Diameter(inc): 3/8 - Phase: 1st fitting: FD 12L - 2nd fitting: FD 12L Protection:	1.00000
23	C810383/23	Hose length(mm): 1590 - Pressure rate: 492 Diameter(inc): 3/8 - Phase: 1st fitting: FD 12L - 2nd fitting: FD 12L Protection:	1.00000
24	C810383/24	Hose length(mm): 1160 - Pressure rate: 492 Diameter(inc): 1/4 - Phase: 1st fitting: F90 12L - 2nd fitting: FD 12L Protection:PVC	1.00000
25	C810383/25	Hose length(mm): 1080 - Pressure rate: 492 Diameter(inc): 1/4 - Phase: 1st fitting: F90 12L - 2nd fitting: FD 12L Protection:PVC	1.00000
26	C810383/26	Hose length(mm): 1450 - Pressure rate: 492 Diameter(inc): 1/4 - Phase: 1st fitting: F90 12L - 2nd fitting: FD 12L Protection:	1.00000
27	C810383/27	Hose length(mm): 1170 - Pressure rate: 492 Diameter(inc): 1/4 - Phase:180 1st fitting: F90 12L - 2nd fitting: F90 12L Protection:	1.00000
28	C810383/28	Hose length(mm): 270 - Pressure rate: 492 Diameter(inc): 1/2 - Phase:270 1st fitting: F45 15L - 2nd fitting: F90 15L Protection:	1.00000



Draft and part list report
Serial n / code M351945 / C965005
Description MULTIONE 9.6KDI

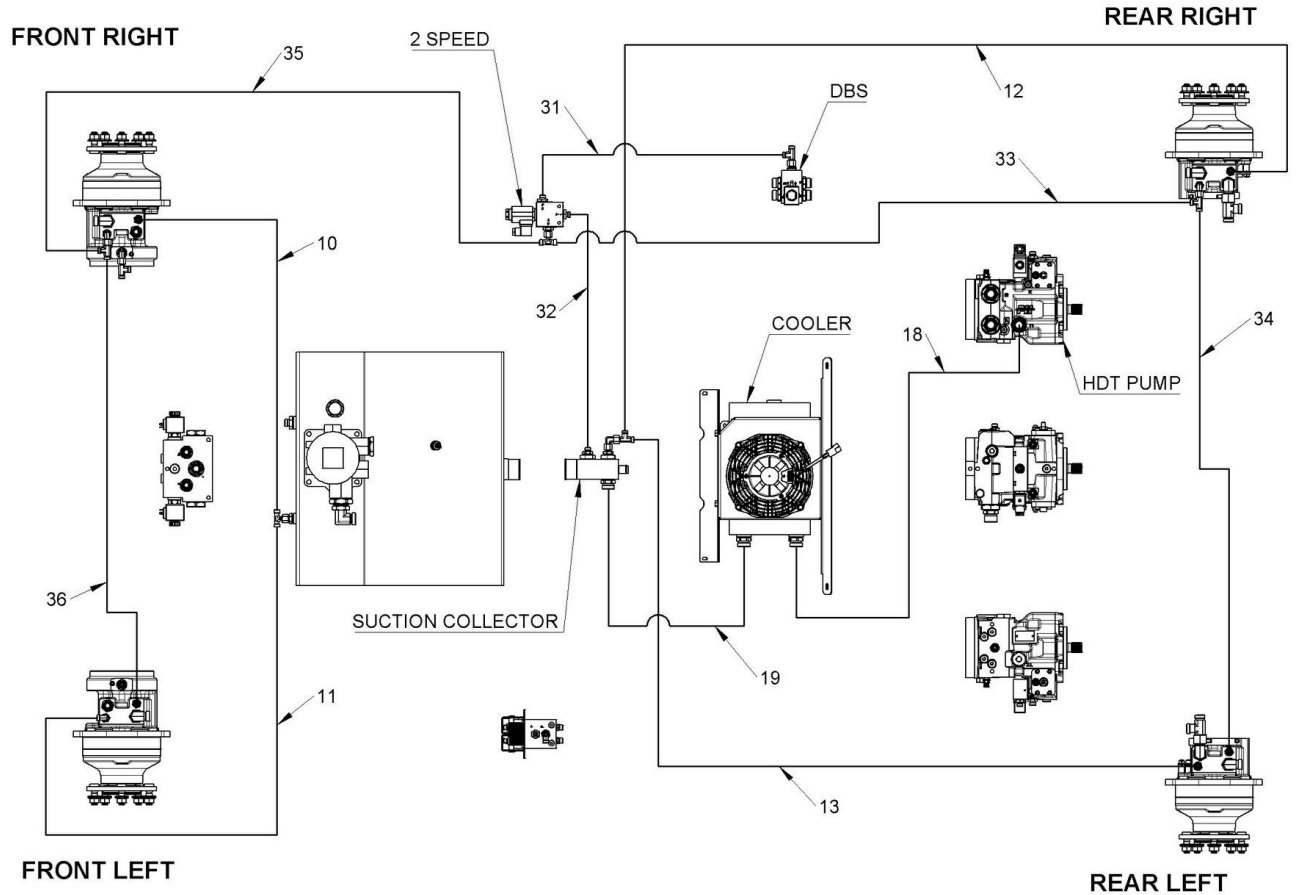
29	C810383/29	Hose length(mm): 300 - Pressure rate: 492 Diameter(inc): 1/2 - Phase:0 1st fitting: F90 15L - 2nd fitting: F45 15L Protection:	1.00000
30	C810383/30	Hose length(mm): 520 - Pressure rate: 492 Diameter(inc): 1/4 - Phase: 1st fitting: F90 8L - 2nd fitting: FD 8L Protection:	1.00000
31	C810383/31	Hose length(mm): 450 - Pressure rate: 492 Diameter(inc): 1/4 - Phase: 1st fitting: F90 8L - 2nd fitting: FD 8L Protection:	1.00000
32	C810383/32	Hose length(mm): 350 - Pressure rate: 492 Diameter(inc): 1/4 - Phase: 1st fitting: F90 8L - 2nd fitting: FD 8L Protection:	1.00000
33	C810383/33	Hose length(mm): 400 - Pressure rate: 492 Diameter(inc): 1/4 - Phase: 1st fitting: F90 8L - 2nd fitting: FD 8L Protection:	1.00000
34	C810383/34	Hose length(mm): 640 - Pressure rate: 492 Diameter(inc): 1/4 - Phase: 1st fitting: FD 8L - 2nd fitting: F90 8L Protection:	1.00000
35	C810383/35	Hose length(mm): 1360 - Pressure rate: 492 Diameter(inc): 1/4 - Phase:80 1st fitting: F45 8L - 2nd fitting: F90 8L Protection:	1.00000
36	C810383/36	Hose length(mm): 640 - Pressure rate: 492 Diameter(inc): 1/4 - Phase: 1st fitting: FD 8L - 2nd fitting: F90 8L Protection:	1.00000
37	C810383/37	Hose length(mm): 1150 - Pressure rate: 492 Diameter(inc): 1/4 - Phase:0 1st fitting: F90 8L - 2nd fitting: F90 8L Protection:	1.00000
38	C810383/38	Hose length(mm): 620 - Pressure rate: 492 Diameter(inc): 1/4 - Phase:270 1st fitting: F90 8L - 2nd fitting: F45 8L Protection:	1.00000
39	C810383/39	Hose length(mm): 650 - Pressure rate: 492 Diameter(inc): 1/4 - Phase: 1st fitting: F90 8L - 2nd fitting: FD 8L Protection:	1.00000
40	C810383/40	Hose length(mm): 230 - Pressure rate: PILOT Diameter(inc): 3/16 - Phase:0 1st fitting: F90 6L - 2nd fitting: F90 6L Protection:	1.00000



Draft and part list report
Serial n / code M351945 / C965005
Description MULTIONE 9.6KDI

41	C810383/41	Hose length(mm): 1250 - Pressure rate: R7 Diameter(inc): 1/4 - Phase:180 1st fitting: F90 6L - 2nd fitting: F90 8L Protection:	2.00000
42	C810383/42	Hose length(mm): 1210 - Pressure rate: 462 Diameter(inc): 5/8 - Phase: 1st fitting: F90 18L - 2nd fitting: MD 18L Protection:PVC	1.00000
43	C810383/43	Hose length(mm): 1170 - Pressure rate: 462 Diameter(inc): 5/8 - Phase: 1st fitting: F90 18L - 2nd fitting: MD 18L Protection:PVC	1.00000
44	C810383/44	Hose length(mm): 1360 - Pressure rate: 492 Diameter(inc): 3/8 - Phase: 1st fitting: F90 12L - 2nd fitting: MD 12L Protection:PVC	2.00000
45	C810383/45	Hose length(mm): 1230 - Pressure rate: PILOT Diameter(inc): 3/8 - Phase: 1st fitting: F90 12L - 2nd fitting: MD 12L Protection:PVC	1.00000
46	C810383/46	Hose length(mm): 1030 - Pressure rate: 462 Diameter(inc): 5/8 - Phase: 1st fitting: MD 18L - 2nd fitting: F45 18L Protection:PVC	1.00000
47	C810383/47	Hose length(mm): 1030 - Pressure rate: 462 Diameter(inc): 5/8 - Phase: 1st fitting: MD 18L - 2nd fitting: F45 18L Protection:PVC	1.00000
48	C810383/48	Hose length(mm): 1150 - Pressure rate: PILOT Diameter(inc): 3/8 - Phase: 1st fitting: MD 12L - 2nd fitting: F45 12L Protection:PVC	1.00000
49	C810383/49	Hose length(mm): 1130 - Pressure rate: 492 Diameter(inc): 3/8 - Phase: 1st fitting: MD 12L - 2nd fitting: F90 12L Protection:PVC	1.00000
50	C810383/50	Hose length(mm): 1500 - Pressure rate: 492 Diameter(inc): 3/8 - Phase: 1st fitting: MD 12L - 2nd fitting: F45 12L Protection:PVC	1.00000

DRENO, CAMBIO VELOCITÀ, RAFFREDDAMENTO / LEAKING, CHANGE SPEED, COOLING



Component list [TAV. 18-2 TRANSMISSION HYDRAULIC DIAGRAM]

Pos.	Code	Description	Q.ty
1	C810383/01	Hose length(mm): 400 - Pressure rate: 3SK Diameter(inc): 5/8 - Phase:220 1st fitting: F90 20S - 2nd fitting: F90 16S Protection:	1.00000
2	C810383/02	Hose length(mm): 1720 - Pressure rate: 3SK Diameter(inc): 5/8 - Phase: 1st fitting: F90 20S - 2nd fitting: FD 16S Protection:	1.00000
3	C810383/03	Hose length(mm): 560 - Pressure rate: 3SK Diameter(inc): 5/8 - Phase: 1st fitting: F90 16S - 2nd fitting: FD 16S Protection:	1.00000
4	C810383/04	Hose length(mm): 260 - Pressure rate: 3SK Diameter(inc): 5/8 - Phase:340 1st fitting: F90 16S - 2nd fitting: F45 16S Protection:	1.00000

5	C810383/05	Hose length(mm): 270 - Pressure rate: 3SK Diameter(inc): 5/8 - Phase:20 1st fitting: F90 16S - 2nd fitting: F45 16S Protection:	1.00000
6	C810383/06	Hose length(mm): 600 - Pressure rate: 3SK Diameter(inc): 5/8 - Phase:20 1st fitting: F45 16S - 2nd fitting: F45 16S Protection:	1.00000
7	C810383/07	Hose length(mm): 350 - Pressure rate: 3SK Diameter(inc): 5/8 - Phase:270 1st fitting: F90 16S - 2nd fitting: F45 16S Protection:	1.00000
8	C810383/08	Hose length(mm): 1770 - Pressure rate: 3SK Diameter(inc): 5/8 - Phase:200 1st fitting: F45 16S - 2nd fitting: F45 16S Protection:	1.00000
9	C810383/09	Hose length(mm): 1430 - Pressure rate: 3SK Diameter(inc): 5/8 - Phase:90 1st fitting: F90 16S - 2nd fitting: F45 16S Protection:	1.00000
10	C810383/10	Hose length(mm): 510 - Pressure rate: R7 Diameter(inc): 1/4 - Phase: 1st fitting: F90 8L - 2nd fitting: FD 8L Protection:	1.00000
11	C810383/11	Hose length(mm): 260 - Pressure rate: R7 Diameter(inc): 1/4 - Phase: 1st fitting: F90 8L - 2nd fitting: FD 8L Protection:	1.00000
12	C810383/12	Hose length(mm): 600 - Pressure rate: R7 Diameter(inc): 1/4 - Phase:0 1st fitting: F90 8L - 2nd fitting: F90 8L Protection:	1.00000
13	C810383/13	Hose length(mm): 630 - Pressure rate: R7 Diameter(inc): 1/4 - Phase: 1st fitting: F90 8L - 2nd fitting: FD 8L Protection:	1.00000
14	C810383/14	Hose length(mm): 1780 - Pressure rate: 492 Diameter(inc): 1/2 - Phase: 1st fitting: FD 15L - 2nd fitting: F90 15L Protection:	1.00000
15	C810383/15	Hose length(mm): 1700 - Pressure rate: 492 Diameter(inc): 1/2 - Phase: 1st fitting: F45 15L - 2nd fitting: FD 15L Protection:	1.00000
16	C810383/16	Hose length(mm): 1730 - Pressure rate: 492 Diameter(inc): 1/2 - Phase: 1st fitting: FD 15L - 2nd fitting: F90 15L Protection:	1.00000



Draft and part list report
Serial n / code M351945 / C965005
Description MULTIONE 9.6KDI

17	C810383/17	Hose length(mm): 300 - Pressure rate: R4 Diameter(inc): 3/4 - Phase:180 1st fitting: F90 22L - 2nd fitting: F90 22L Protection:	1.00000
18	C810383/18	Hose length(mm): 830 - Pressure rate: R4 Diameter(inc): 3/4 - Phase:0 1st fitting: F90 22L - 2nd fitting: F90 22L Protection:	1.00000
19	C810383/19	Hose length(mm): 300 - Pressure rate: R4 Diameter(inc): 3/4 - Phase:0 1st fitting: F90 22L - 2nd fitting: F90 22L Protection:	1.00000
20	C810383/20	Hose length(mm): 900 - Pressure rate: 492 Diameter(inc): 3/8 - Phase: 1st fitting: F90 12L - 2nd fitting: FD 12L Protection:	1.00000
21	C810383/21	Hose length(mm): 900 - Pressure rate: 492 Diameter(inc): 3/8 - Phase: 1st fitting: F90 12L - 2nd fitting: FD 12L Protection:	1.00000
22	C810383/22	Hose length(mm): 1440 - Pressure rate: 492 Diameter(inc): 3/8 - Phase: 1st fitting: FD 12L - 2nd fitting: FD 12L Protection:	1.00000
23	C810383/23	Hose length(mm): 1590 - Pressure rate: 492 Diameter(inc): 3/8 - Phase: 1st fitting: FD 12L - 2nd fitting: FD 12L Protection:	1.00000
24	C810383/24	Hose length(mm): 1160 - Pressure rate: 492 Diameter(inc): 1/4 - Phase: 1st fitting: F90 12L - 2nd fitting: FD 12L Protection:PVC	1.00000
25	C810383/25	Hose length(mm): 1080 - Pressure rate: 492 Diameter(inc): 1/4 - Phase: 1st fitting: F90 12L - 2nd fitting: FD 12L Protection:PVC	1.00000
26	C810383/26	Hose length(mm): 1450 - Pressure rate: 492 Diameter(inc): 1/4 - Phase: 1st fitting: F90 12L - 2nd fitting: FD 12L Protection:	1.00000
27	C810383/27	Hose length(mm): 1170 - Pressure rate: 492 Diameter(inc): 1/4 - Phase:180 1st fitting: F90 12L - 2nd fitting: F90 12L Protection:	1.00000
28	C810383/28	Hose length(mm): 270 - Pressure rate: 492 Diameter(inc): 1/2 - Phase:270 1st fitting: F45 15L - 2nd fitting: F90 15L Protection:	1.00000



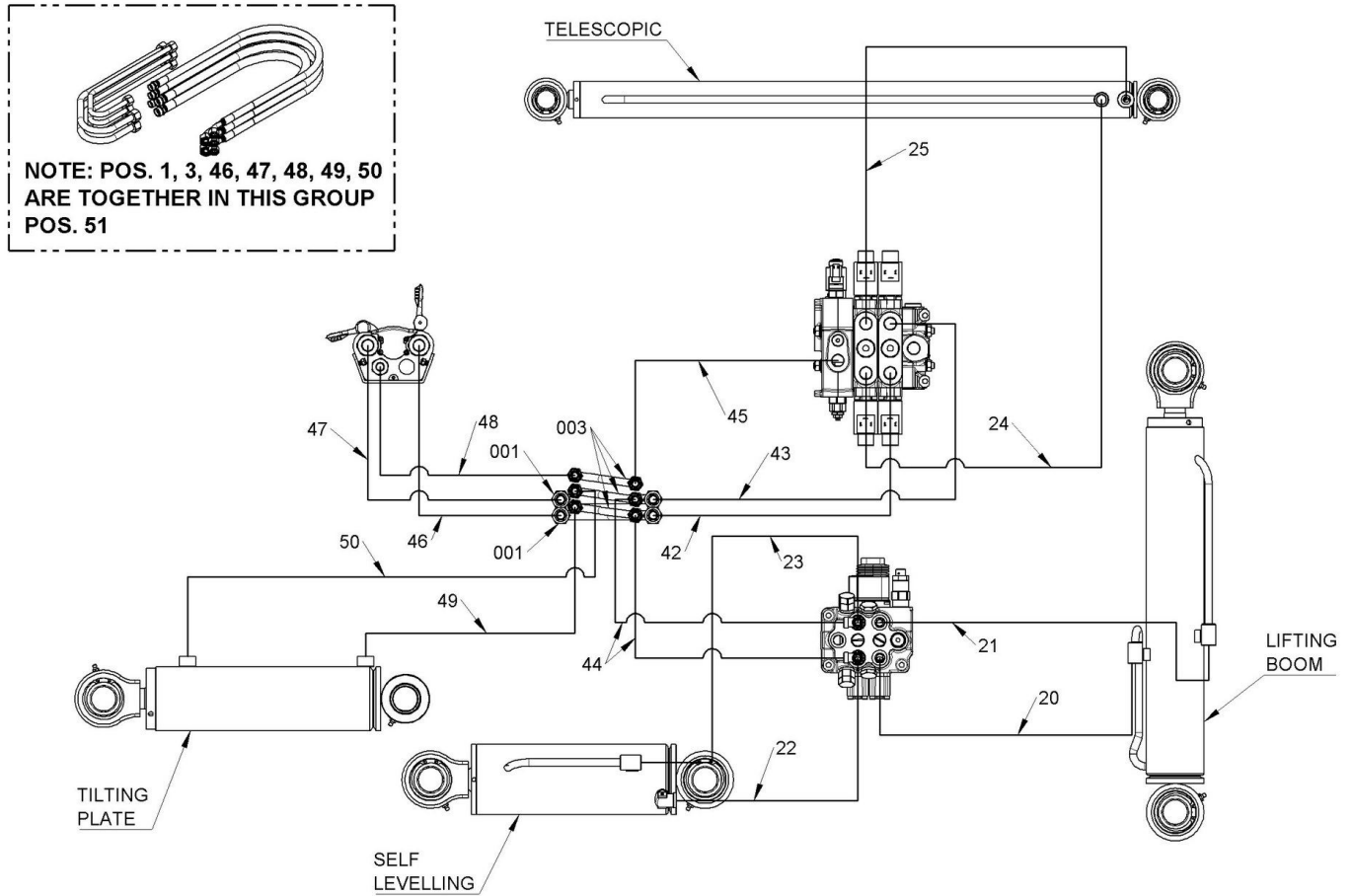
Draft and part list report
Serial n / code M351945 / C965005
Description MULTIONE 9.6KDI

29	C810383/29	Hose length(mm): 300 - Pressure rate: 492 Diameter(inc): 1/2 - Phase:0 1st fitting: F90 15L - 2nd fitting: F45 15L Protection:	1.00000
30	C810383/30	Hose length(mm): 520 - Pressure rate: 492 Diameter(inc): 1/4 - Phase: 1st fitting: F90 8L - 2nd fitting: FD 8L Protection:	1.00000
31	C810383/31	Hose length(mm): 450 - Pressure rate: 492 Diameter(inc): 1/4 - Phase: 1st fitting: F90 8L - 2nd fitting: FD 8L Protection:	1.00000
32	C810383/32	Hose length(mm): 350 - Pressure rate: 492 Diameter(inc): 1/4 - Phase: 1st fitting: F90 8L - 2nd fitting: FD 8L Protection:	1.00000
33	C810383/33	Hose length(mm): 400 - Pressure rate: 492 Diameter(inc): 1/4 - Phase: 1st fitting: F90 8L - 2nd fitting: FD 8L Protection:	1.00000
34	C810383/34	Hose length(mm): 640 - Pressure rate: 492 Diameter(inc): 1/4 - Phase: 1st fitting: FD 8L - 2nd fitting: F90 8L Protection:	1.00000
35	C810383/35	Hose length(mm): 1360 - Pressure rate: 492 Diameter(inc): 1/4 - Phase:80 1st fitting: F45 8L - 2nd fitting: F90 8L Protection:	1.00000
36	C810383/36	Hose length(mm): 640 - Pressure rate: 492 Diameter(inc): 1/4 - Phase: 1st fitting: FD 8L - 2nd fitting: F90 8L Protection:	1.00000
37	C810383/37	Hose length(mm): 1150 - Pressure rate: 492 Diameter(inc): 1/4 - Phase:0 1st fitting: F90 8L - 2nd fitting: F90 8L Protection:	1.00000
38	C810383/38	Hose length(mm): 620 - Pressure rate: 492 Diameter(inc): 1/4 - Phase:270 1st fitting: F90 8L - 2nd fitting: F45 8L Protection:	1.00000
39	C810383/39	Hose length(mm): 650 - Pressure rate: 492 Diameter(inc): 1/4 - Phase: 1st fitting: F90 8L - 2nd fitting: FD 8L Protection:	1.00000
40	C810383/40	Hose length(mm): 230 - Pressure rate: PILOT Diameter(inc): 3/16 - Phase:0 1st fitting: F90 6L - 2nd fitting: F90 6L Protection:	1.00000



Draft and part list report
Serial n / code M351945 / C965005
Description MULTIONE 9.6KDI

41	C810383/41	Hose length(mm): 1250 - Pressure rate: R7 Diameter(inc): 1/4 - Phase:180 1st fitting: F90 6L - 2nd fitting: F90 8L Protection:	2.00000
42	C810383/42	Hose length(mm): 1210 - Pressure rate: 462 Diameter(inc): 5/8 - Phase: 1st fitting: F90 18L - 2nd fitting: MD 18L Protection:PVC	1.00000
43	C810383/43	Hose length(mm): 1170 - Pressure rate: 462 Diameter(inc): 5/8 - Phase: 1st fitting: F90 18L - 2nd fitting: MD 18L Protection:PVC	1.00000
44	C810383/44	Hose length(mm): 1360 - Pressure rate: 492 Diameter(inc): 3/8 - Phase: 1st fitting: F90 12L - 2nd fitting: MD 12L Protection:PVC	2.00000
45	C810383/45	Hose length(mm): 1230 - Pressure rate: PILOT Diameter(inc): 3/8 - Phase: 1st fitting: F90 12L - 2nd fitting: MD 12L Protection:PVC	1.00000
46	C810383/46	Hose length(mm): 1030 - Pressure rate: 462 Diameter(inc): 5/8 - Phase: 1st fitting: MD 18L - 2nd fitting: F45 18L Protection:PVC	1.00000
47	C810383/47	Hose length(mm): 1030 - Pressure rate: 462 Diameter(inc): 5/8 - Phase: 1st fitting: MD 18L - 2nd fitting: F45 18L Protection:PVC	1.00000
48	C810383/48	Hose length(mm): 1150 - Pressure rate: PILOT Diameter(inc): 3/8 - Phase: 1st fitting: MD 12L - 2nd fitting: F45 12L Protection:PVC	1.00000
49	C810383/49	Hose length(mm): 1130 - Pressure rate: 492 Diameter(inc): 3/8 - Phase: 1st fitting: MD 12L - 2nd fitting: F90 12L Protection:PVC	1.00000
50	C810383/50	Hose length(mm): 1500 - Pressure rate: 492 Diameter(inc): 3/8 - Phase: 1st fitting: MD 12L - 2nd fitting: F45 12L Protection:PVC	1.00000



Component list [TAV. 19-1 BOOM HYDRAULIC DIAGRAM]

Pos.	Code	Description	Q.ty
1	C810376/01		1.00000
3	C810376/03		1.00000
4	C810383/04	Hose length(mm): 260 - Pressure rate: 3SK Diameter(inc): 5/8 - Phase:340 1st fitting: F90 16S - 2nd fitting: F45 16S Protection:	1.00000
5	C810383/05	Hose length(mm): 270 - Pressure rate: 3SK Diameter(inc): 5/8 - Phase:20 1st fitting: F90 16S - 2nd fitting: F45 16S Protection:	1.00000
6	C810383/06	Hose length(mm): 600 - Pressure rate: 3SK Diameter(inc): 5/8 - Phase:20 1st fitting: F45 16S - 2nd fitting: F45 16S Protection:	1.00000
7	C810383/07	Hose length(mm): 350 - Pressure rate: 3SK	1.00000

Diameter(inc): 5/8 - Phase:270
 1st fitting: F90 16S - 2nd fitting: F45 16S
 Protection:

8	C810383/08	Hose length(mm): 1770 - Pressure rate: 3SK Diameter(inc): 5/8 - Phase:200 1st fitting: F45 16S - 2nd fitting: F45 16S Protection:	1.00000
9	C810383/09	Hose length(mm): 1430 - Pressure rate: 3SK Diameter(inc): 5/8 - Phase:90 1st fitting: F90 16S - 2nd fitting: F45 16S Protection:	1.00000
10	C810383/10	Hose length(mm): 510 - Pressure rate: R7 Diameter(inc): 1/4 - Phase: 1st fitting: F90 8L - 2nd fitting: FD 8L Protection:	1.00000
11	C810383/11	Hose length(mm): 260 - Pressure rate: R7 Diameter(inc): 1/4 - Phase: 1st fitting: F90 8L - 2nd fitting: FD 8L Protection:	1.00000
12	C810383/12	Hose length(mm): 600 - Pressure rate: R7 Diameter(inc): 1/4 - Phase:0 1st fitting: F90 8L - 2nd fitting: F90 8L Protection:	1.00000
13	C810383/13	Hose length(mm): 630 - Pressure rate: R7 Diameter(inc): 1/4 - Phase: 1st fitting: F90 8L - 2nd fitting: FD 8L Protection:	1.00000
14	C810383/14	Hose length(mm): 1780 - Pressure rate: 492 Diameter(inc): 1/2 - Phase: 1st fitting: FD 15L - 2nd fitting: F90 15L Protection:	1.00000
15	C810383/15	Hose length(mm): 1700 - Pressure rate: 492 Diameter(inc): 1/2 - Phase: 1st fitting: F45 15L - 2nd fitting: FD 15L Protection:	1.00000
16	C810383/16	Hose length(mm): 1730 - Pressure rate: 492 Diameter(inc): 1/2 - Phase: 1st fitting: FD 15L - 2nd fitting: F90 15L Protection:	1.00000
17	C810383/17	Hose length(mm): 300 - Pressure rate: R4 Diameter(inc): 3/4 - Phase:180 1st fitting: F90 22L - 2nd fitting: F90 22L Protection:	1.00000
18	C810383/18	Hose length(mm): 830 - Pressure rate: R4 Diameter(inc): 3/4 - Phase:0 1st fitting: F90 22L - 2nd fitting: F90 22L Protection:	1.00000
19	C810383/19	Hose length(mm): 300 - Pressure rate: R4	1.00000

Diameter(inc): 3/4 - Phase:0
 1st fitting: F90 22L - 2nd fitting: F90 22L
 Protection:

20	C810383/20	Hose length(mm): 900 - Pressure rate: 492 Diameter(inc): 3/8 - Phase: 1st fitting: F90 12L - 2nd fitting: FD 12L Protection:	1.00000
21	C810383/21	Hose length(mm): 900 - Pressure rate: 492 Diameter(inc): 3/8 - Phase: 1st fitting: F90 12L - 2nd fitting: FD 12L Protection:	1.00000
22	C810383/22	Hose length(mm): 1440 - Pressure rate: 492 Diameter(inc): 3/8 - Phase: 1st fitting: FD 12L - 2nd fitting: FD 12L Protection:	1.00000
23	C810383/23	Hose length(mm): 1590 - Pressure rate: 492 Diameter(inc): 3/8 - Phase: 1st fitting: FD 12L - 2nd fitting: FD 12L Protection:	1.00000
24	C810383/24	Hose length(mm): 1160 - Pressure rate: 492 Diameter(inc): 1/4 - Phase: 1st fitting: F90 12L - 2nd fitting: FD 12L Protection:PVC	1.00000
25	C810383/25	Hose length(mm): 1080 - Pressure rate: 492 Diameter(inc): 1/4 - Phase: 1st fitting: F90 12L - 2nd fitting: FD 12L Protection:PVC	1.00000
26	C810383/26	Hose length(mm): 1450 - Pressure rate: 492 Diameter(inc): 1/4 - Phase: 1st fitting: F90 12L - 2nd fitting: FD 12L Protection:	1.00000
27	C810383/27	Hose length(mm): 1170 - Pressure rate: 492 Diameter(inc): 1/4 - Phase:180 1st fitting: F90 12L - 2nd fitting: F90 12L Protection:	1.00000
28	C810383/28	Hose length(mm): 270 - Pressure rate: 492 Diameter(inc): 1/2 - Phase:270 1st fitting: F45 15L - 2nd fitting: F90 15L Protection:	1.00000
29	C810383/29	Hose length(mm): 300 - Pressure rate: 492 Diameter(inc): 1/2 - Phase:0 1st fitting: F90 15L - 2nd fitting: F45 15L Protection:	1.00000
30	C810383/30	Hose length(mm): 520 - Pressure rate: 492 Diameter(inc): 1/4 - Phase: 1st fitting: F90 8L - 2nd fitting: FD 8L Protection:	1.00000
31	C810383/31	Hose length(mm): 450 - Pressure rate: 492	1.00000

Diameter(inc): 1/4 - Phase:
 1st fitting: F90 8L - 2nd fitting: FD 8L
 Protection:

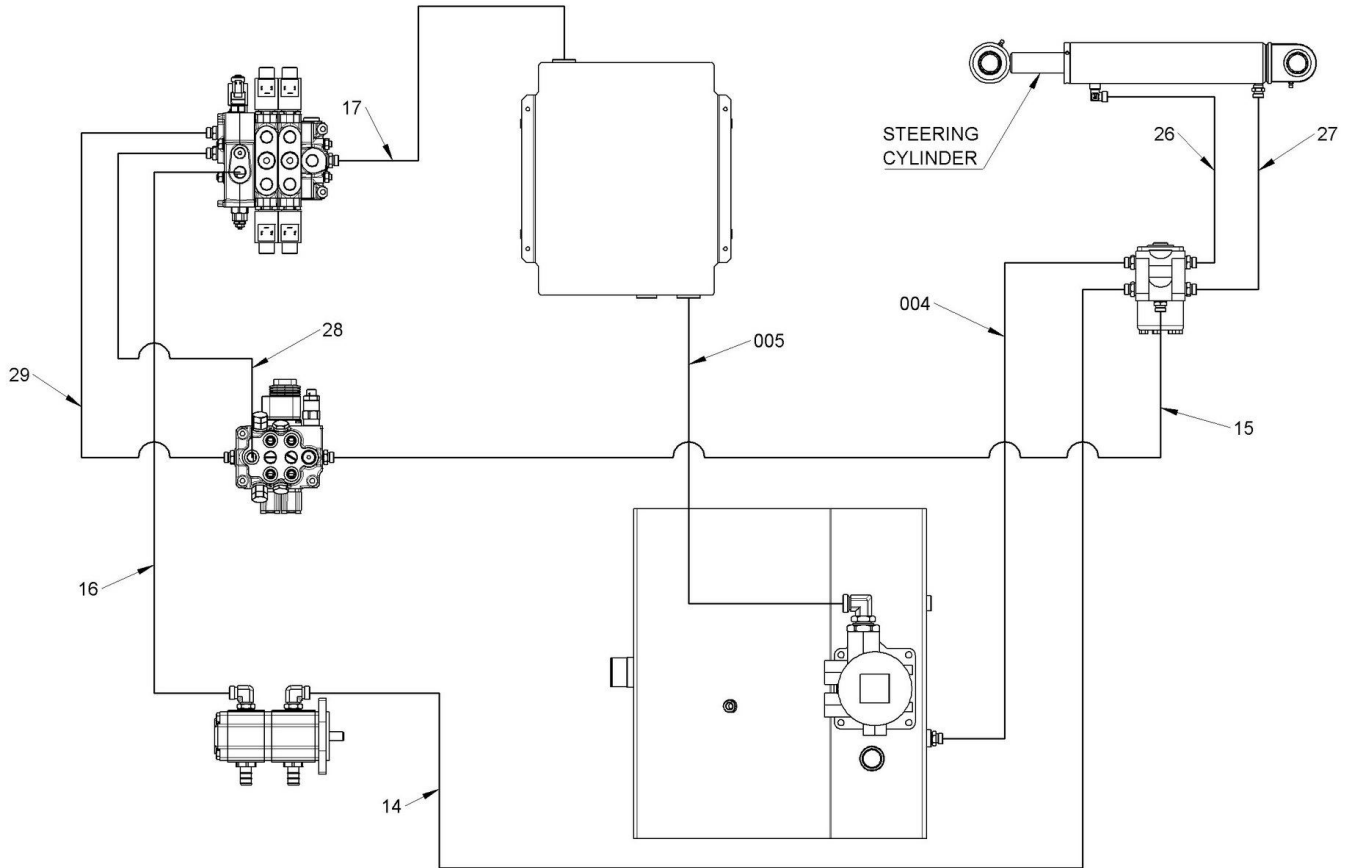
32	C810383/32	Hose length(mm): 350 - Pressure rate: 492 Diameter(inc): 1/4 - Phase: 1st fitting: F90 8L - 2nd fitting: FD 8L Protection:	1.00000
33	C810383/33	Hose length(mm): 400 - Pressure rate: 492 Diameter(inc): 1/4 - Phase: 1st fitting: F90 8L - 2nd fitting: FD 8L Protection:	1.00000
34	C810383/34	Hose length(mm): 640 - Pressure rate: 492 Diameter(inc): 1/4 - Phase: 1st fitting: FD 8L - 2nd fitting: F90 8L Protection:	1.00000
35	C810383/35	Hose length(mm): 1360 - Pressure rate: 492 Diameter(inc): 1/4 - Phase:80 1st fitting: F45 8L - 2nd fitting: F90 8L Protection:	1.00000
36	C810383/36	Hose length(mm): 640 - Pressure rate: 492 Diameter(inc): 1/4 - Phase: 1st fitting: FD 8L - 2nd fitting: F90 8L Protection:	1.00000
37	C810383/37	Hose length(mm): 1150 - Pressure rate: 492 Diameter(inc): 1/4 - Phase:0 1st fitting: F90 8L - 2nd fitting: F90 8L Protection:	1.00000
38	C810383/38	Hose length(mm): 620 - Pressure rate: 492 Diameter(inc): 1/4 - Phase:270 1st fitting: F90 8L - 2nd fitting: F45 8L Protection:	1.00000
39	C810383/39	Hose length(mm): 650 - Pressure rate: 492 Diameter(inc): 1/4 - Phase: 1st fitting: F90 8L - 2nd fitting: FD 8L Protection:	1.00000
40	C810383/40	Hose length(mm): 230 - Pressure rate: PILOT Diameter(inc): 3/16 - Phase:0 1st fitting: F90 6L - 2nd fitting: F90 6L Protection:	1.00000
41	C810383/41	Hose length(mm): 1250 - Pressure rate: R7 Diameter(inc): 1/4 - Phase:180 1st fitting: F90 6L - 2nd fitting: F90 8L Protection:	2.00000
42	C810383/42	Hose length(mm): 1210 - Pressure rate: 462 Diameter(inc): 5/8 - Phase: 1st fitting: F90 18L - 2nd fitting: MD 18L Protection:PVC	1.00000
43	C810383/43	Hose length(mm): 1170 - Pressure rate: 462	1.00000



Draft and part list report
Serial n / code M351945 / C965005
Description MULTIONE 9.6KDI

Diameter(inc): 5/8 - Phase:
1st fitting: F90 18L - 2nd fitting: MD 18L
Protection:PVC

44	C810383/44	Hose length(mm): 1360 - Pressure rate: 492 Diameter(inc): 3/8 - Phase: 1st fitting: F90 12L - 2nd fitting: MD 12L Protection:PVC	2.00000
45	C810383/45	Hose length(mm): 1230 - Pressure rate: PILOT Diameter(inc): 3/8 - Phase: 1st fitting: F90 12L - 2nd fitting: MD 12L Protection:PVC	1.00000
46	C810383/46	Hose length(mm): 1030 - Pressure rate: 462 Diameter(inc): 5/8 - Phase: 1st fitting: MD 18L - 2nd fitting: F45 18L Protection:PVC	1.00000
47	C810383/47	Hose length(mm): 1030 - Pressure rate: 462 Diameter(inc): 5/8 - Phase: 1st fitting: MD 18L - 2nd fitting: F45 18L Protection:PVC	1.00000
48	C810383/48	Hose length(mm): 1150 - Pressure rate: PILOT Diameter(inc): 3/8 - Phase: 1st fitting: MD 12L - 2nd fitting: F45 12L Protection:PVC	1.00000
49	C810383/49	Hose length(mm): 1130 - Pressure rate: 492 Diameter(inc): 3/8 - Phase: 1st fitting: MD 12L - 2nd fitting: F90 12L Protection:PVC	1.00000
50	C810383/50	Hose length(mm): 1500 - Pressure rate: 492 Diameter(inc): 3/8 - Phase: 1st fitting: MD 12L - 2nd fitting: F45 12L Protection:PVC	1.00000
51	C810499	WEO ARM HOSES M1 9-10, SD 9	1.00000



Component list [TAV. 19-2 SERVICES HYDRAULIC DIAGRAM]

Pos.	Code	Description	Q.ty
4	C810376/04		1.00000
5	C810376/05		1.00000
6	C810383/06	Hose length(mm): 600 - Pressure rate: 3SK Diameter(inc): 5/8 - Phase:20 1st fitting: F45 16S - 2nd fitting: F45 16S Protection:	1.00000
7	C810383/07	Hose length(mm): 350 - Pressure rate: 3SK Diameter(inc): 5/8 - Phase:270 1st fitting: F90 16S - 2nd fitting: F45 16S Protection:	1.00000
8	C810383/08	Hose length(mm): 1770 - Pressure rate: 3SK Diameter(inc): 5/8 - Phase:200 1st fitting: F45 16S - 2nd fitting: F45 16S Protection:	1.00000
9	C810383/09	Hose length(mm): 1430 - Pressure rate: 3SK	1.00000

Diameter(inc): 5/8 - Phase:90
 1st fitting: F90 16S - 2nd fitting: F45 16S
 Protection:

10	C810383/10	Hose length(mm): 510 - Pressure rate: R7 Diameter(inc): 1/4 - Phase: 1st fitting: F90 8L - 2nd fitting: FD 8L Protection:	1.00000
11	C810383/11	Hose length(mm): 260 - Pressure rate: R7 Diameter(inc): 1/4 - Phase: 1st fitting: F90 8L - 2nd fitting: FD 8L Protection:	1.00000
12	C810383/12	Hose length(mm): 600 - Pressure rate: R7 Diameter(inc): 1/4 - Phase:0 1st fitting: F90 8L - 2nd fitting: F90 8L Protection:	1.00000
13	C810383/13	Hose length(mm): 630 - Pressure rate: R7 Diameter(inc): 1/4 - Phase: 1st fitting: F90 8L - 2nd fitting: FD 8L Protection:	1.00000
14	C810383/14	Hose length(mm): 1780 - Pressure rate: 492 Diameter(inc): 1/2 - Phase: 1st fitting: FD 15L - 2nd fitting: F90 15L Protection:	1.00000
15	C810383/15	Hose length(mm): 1700 - Pressure rate: 492 Diameter(inc): 1/2 - Phase: 1st fitting: F45 15L - 2nd fitting: FD 15L Protection:	1.00000
16	C810383/16	Hose length(mm): 1730 - Pressure rate: 492 Diameter(inc): 1/2 - Phase: 1st fitting: FD 15L - 2nd fitting: F90 15L Protection:	1.00000
17	C810383/17	Hose length(mm): 300 - Pressure rate: R4 Diameter(inc): 3/4 - Phase:180 1st fitting: F90 22L - 2nd fitting: F90 22L Protection:	1.00000
18	C810383/18	Hose length(mm): 830 - Pressure rate: R4 Diameter(inc): 3/4 - Phase:0 1st fitting: F90 22L - 2nd fitting: F90 22L Protection:	1.00000
19	C810383/19	Hose length(mm): 300 - Pressure rate: R4 Diameter(inc): 3/4 - Phase:0 1st fitting: F90 22L - 2nd fitting: F90 22L Protection:	1.00000
20	C810383/20	Hose length(mm): 900 - Pressure rate: 492 Diameter(inc): 3/8 - Phase: 1st fitting: F90 12L - 2nd fitting: FD 12L Protection:	1.00000
21	C810383/21	Hose length(mm): 900 - Pressure rate: 492	1.00000



Draft and part list report
Serial n / code M351945 / C965005
Description MULTIONE 9.6KDI

Diameter(inc): 3/8 - Phase:
1st fitting: F90 12L - 2nd fitting: FD 12L
Protection:

22	C810383/22	Hose length(mm): 1440 - Pressure rate: 492 Diameter(inc): 3/8 - Phase: 1st fitting: FD 12L - 2nd fitting: FD 12L Protection:	1.00000
23	C810383/23	Hose length(mm): 1590 - Pressure rate: 492 Diameter(inc): 3/8 - Phase: 1st fitting: FD 12L - 2nd fitting: FD 12L Protection:	1.00000
24	C810383/24	Hose length(mm): 1160 - Pressure rate: 492 Diameter(inc): 1/4 - Phase: 1st fitting: F90 12L - 2nd fitting: FD 12L Protection:PVC	1.00000
25	C810383/25	Hose length(mm): 1080 - Pressure rate: 492 Diameter(inc): 1/4 - Phase: 1st fitting: F90 12L - 2nd fitting: FD 12L Protection:PVC	1.00000
26	C810383/26	Hose length(mm): 1450 - Pressure rate: 492 Diameter(inc): 1/4 - Phase: 1st fitting: F90 12L - 2nd fitting: FD 12L Protection:	1.00000
27	C810383/27	Hose length(mm): 1170 - Pressure rate: 492 Diameter(inc): 1/4 - Phase:180 1st fitting: F90 12L - 2nd fitting: F90 12L Protection:	1.00000
28	C810383/28	Hose length(mm): 270 - Pressure rate: 492 Diameter(inc): 1/2 - Phase:270 1st fitting: F45 15L - 2nd fitting: F90 15L Protection:	1.00000
29	C810383/29	Hose length(mm): 300 - Pressure rate: 492 Diameter(inc): 1/2 - Phase:0 1st fitting: F90 15L - 2nd fitting: F45 15L Protection:	1.00000
30	C810383/30	Hose length(mm): 520 - Pressure rate: 492 Diameter(inc): 1/4 - Phase: 1st fitting: F90 8L - 2nd fitting: FD 8L Protection:	1.00000
31	C810383/31	Hose length(mm): 450 - Pressure rate: 492 Diameter(inc): 1/4 - Phase: 1st fitting: F90 8L - 2nd fitting: FD 8L Protection:	1.00000
32	C810383/32	Hose length(mm): 350 - Pressure rate: 492 Diameter(inc): 1/4 - Phase: 1st fitting: F90 8L - 2nd fitting: FD 8L Protection:	1.00000
33	C810383/33	Hose length(mm): 400 - Pressure rate: 492	1.00000

Diameter(inc): 1/4 - Phase:
 1st fitting: F90 8L - 2nd fitting: FD 8L
 Protection:

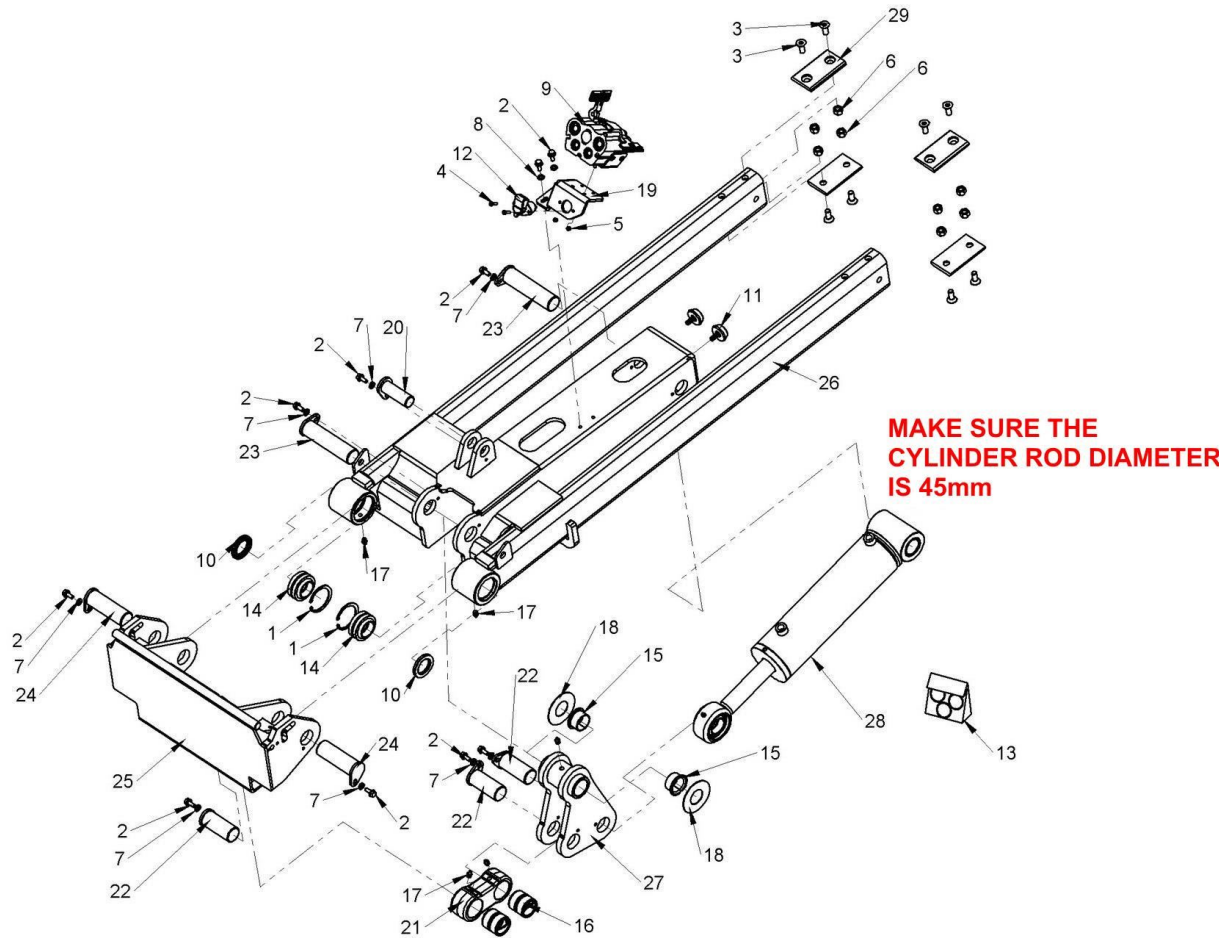
34	C810383/34	Hose length(mm): 640 - Pressure rate: 492 Diameter(inc): 1/4 - Phase: 1st fitting: FD 8L - 2nd fitting: F90 8L Protection:	1.00000
35	C810383/35	Hose length(mm): 1360 - Pressure rate: 492 Diameter(inc): 1/4 - Phase:80 1st fitting: F45 8L - 2nd fitting: F90 8L Protection:	1.00000
36	C810383/36	Hose length(mm): 640 - Pressure rate: 492 Diameter(inc): 1/4 - Phase: 1st fitting: FD 8L - 2nd fitting: F90 8L Protection:	1.00000
37	C810383/37	Hose length(mm): 1150 - Pressure rate: 492 Diameter(inc): 1/4 - Phase:0 1st fitting: F90 8L - 2nd fitting: F90 8L Protection:	1.00000
38	C810383/38	Hose length(mm): 620 - Pressure rate: 492 Diameter(inc): 1/4 - Phase:270 1st fitting: F90 8L - 2nd fitting: F45 8L Protection:	1.00000
39	C810383/39	Hose length(mm): 650 - Pressure rate: 492 Diameter(inc): 1/4 - Phase: 1st fitting: F90 8L - 2nd fitting: FD 8L Protection:	1.00000
40	C810383/40	Hose length(mm): 230 - Pressure rate: PILOT Diameter(inc): 3/16 - Phase:0 1st fitting: F90 6L - 2nd fitting: F90 6L Protection:	1.00000
41	C810383/41	Hose length(mm): 1250 - Pressure rate: R7 Diameter(inc): 1/4 - Phase:180 1st fitting: F90 6L - 2nd fitting: F90 8L Protection:	2.00000
42	C810383/42	Hose length(mm): 1210 - Pressure rate: 462 Diameter(inc): 5/8 - Phase: 1st fitting: F90 18L - 2nd fitting: MD 18L Protection:PVC	1.00000
43	C810383/43	Hose length(mm): 1170 - Pressure rate: 462 Diameter(inc): 5/8 - Phase: 1st fitting: F90 18L - 2nd fitting: MD 18L Protection:PVC	1.00000
44	C810383/44	Hose length(mm): 1360 - Pressure rate: 492 Diameter(inc): 3/8 - Phase: 1st fitting: F90 12L - 2nd fitting: MD 12L Protection:PVC	2.00000
45	C810383/45	Hose length(mm): 1230 - Pressure rate: PILOT	1.00000



Draft and part list report
Serial n / code M351945 / C965005
Description MULTIONE 9.6KDI

Diameter(inc): 3/8 - Phase:
1st fitting: F90 12L - 2nd fitting: MD 12L
Protection:PVC

46	C810383/46	Hose length(mm): 1030 - Pressure rate: 462 Diameter(inc): 5/8 - Phase: 1st fitting: MD 18L - 2nd fitting: F45 18L Protection:PVC	1.00000
47	C810383/47	Hose length(mm): 1030 - Pressure rate: 462 Diameter(inc): 5/8 - Phase: 1st fitting: MD 18L - 2nd fitting: F45 18L Protection:PVC	1.00000
48	C810383/48	Hose length(mm): 1150 - Pressure rate: PILOT Diameter(inc): 3/8 - Phase: 1st fitting: MD 12L - 2nd fitting: F45 12L Protection:PVC	1.00000
49	C810383/49	Hose length(mm): 1130 - Pressure rate: 492 Diameter(inc): 3/8 - Phase: 1st fitting: MD 12L - 2nd fitting: F90 12L Protection:PVC	1.00000
50	C810383/50	Hose length(mm): 1500 - Pressure rate: 492 Diameter(inc): 3/8 - Phase: 1st fitting: MD 12L - 2nd fitting: F45 12L Protection:PVC	1.00000



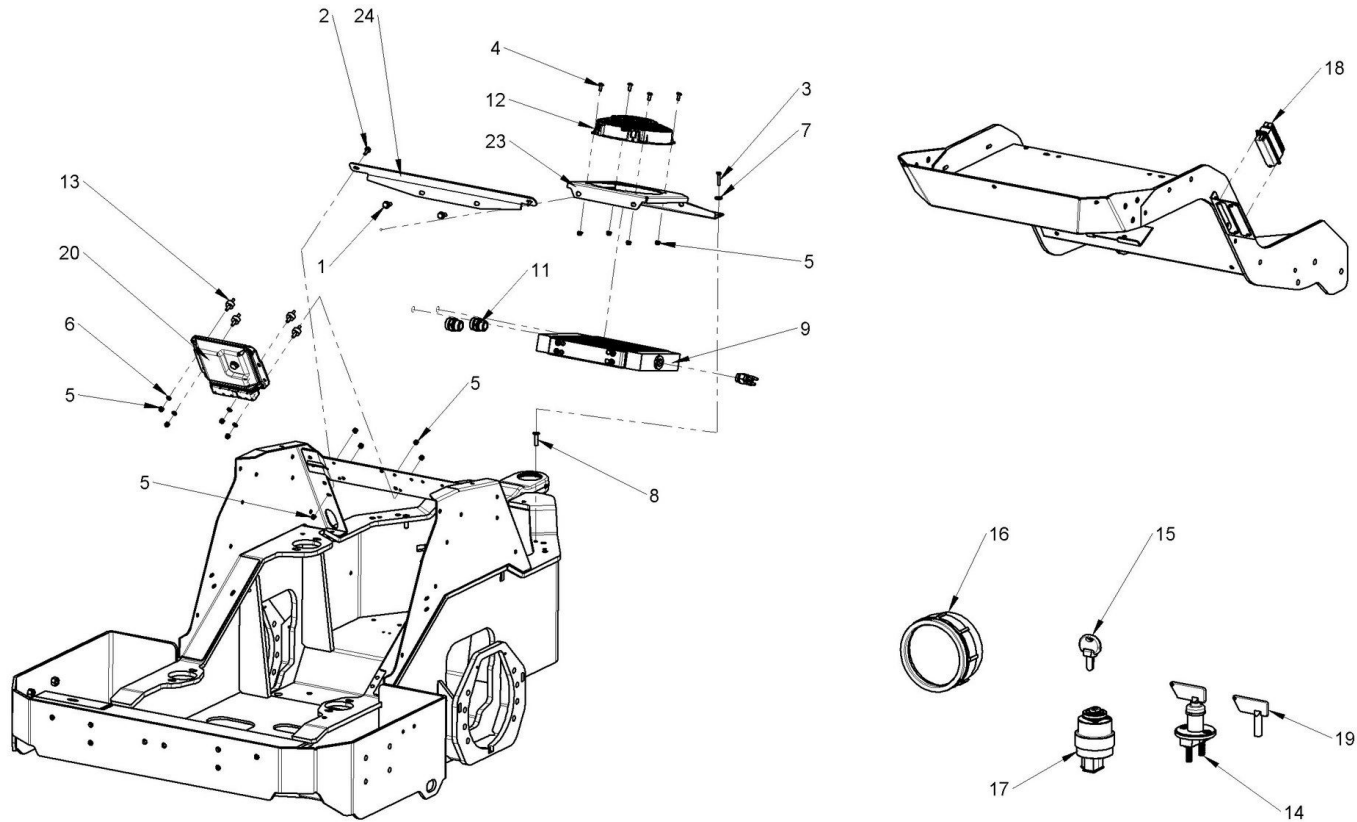
Component list [TAV. 20 M1 9 BOOM MOBILE PART]

Pos.	Code	Description	Q.ty
1	C018302	BORES SEEGER RING ĩ68 DIN 472	2.00000
2	C019202	DIN 6921 M8x20 FLANGED HEAD SCREW	10.00000
3	C020181	UNI 5933 M12x35 HEX SOCKET COUNTERSUNK CAP SCREW	8.00000
4	C020287	CYLINDER HEAD W/PHILIPS IMPRINT SCREW M5x20 UNI 7687 DIN 7985	2.00000
5	C021102	UNI 7473 SELF-LOCKING NUT M5	2.00000
6	C021504	SLOTTED AND CASTLE HEXAGON NUTS M12 DIN980	8.00000
7	C023041	M8 NORD LOCK WASHER	8.00000
8	C023071	UNI 6592 FLAT WASHER M8 - 8,4x16x1,6	2.00000
9	C030480	HYDRAULIC MULTICONNECTOR, FIX 3 WAY	1.00000
10	C035077	NBR SHAFT SEAL ĩ40x62x7	2.00000
11	C035078	RUBBER END	2.00000
12	FF180/25.036.100	3 POLE CONNECTOR (MACHINE MOUNT)	1.00000
13	C036840	100-45 CYLINDER SEALS KIT	1.00000
14	C037639	RADIAL SPHERICAL PLAIN BEARINGS GE 40 FO 2RS	2.00000



Draft and part list report
Serial n / code M351945 / C965005
Description MULTIONE 9.6KDI

15	C037641	FLANGED BUSHING Ø40x44x55x25	2.00000
16	C037689	SIBO BUSHING 50x40x50	2.00000
17	C090030	GREASER NIPPLE M10x1 UNI 7663A	5.00000
18	C274024	Ø88-Ø40,5 TH 1,5 SPACER	2.00000
19	C281640	MULTICONNECTOR PLATE SUPPORT	1.00000
20	C281704	Ø30x85 PIN	1.00000
21	C281713	COUPLING PLATE ROD	1.00000
22	C281765	FLANGED PIN Ø40 L=90	3.00000
23	C281779	PIN Ø40 L=155	2.00000
24	C281799	PIN Ø40 L=120	2.00000
25	C281860	COUPLING PLATE	1.00000
26	C282640	TELESCOPIC BOOM MOBILE PART	1.00000
27	C282674	COUPLING PLATE ROD	1.00000
28	C284689	100-45-275 TILT PLATE CYLINDER M1 9 SERIES	1.00000
29	C282779	SLIDING PAD 9-10	4.00000



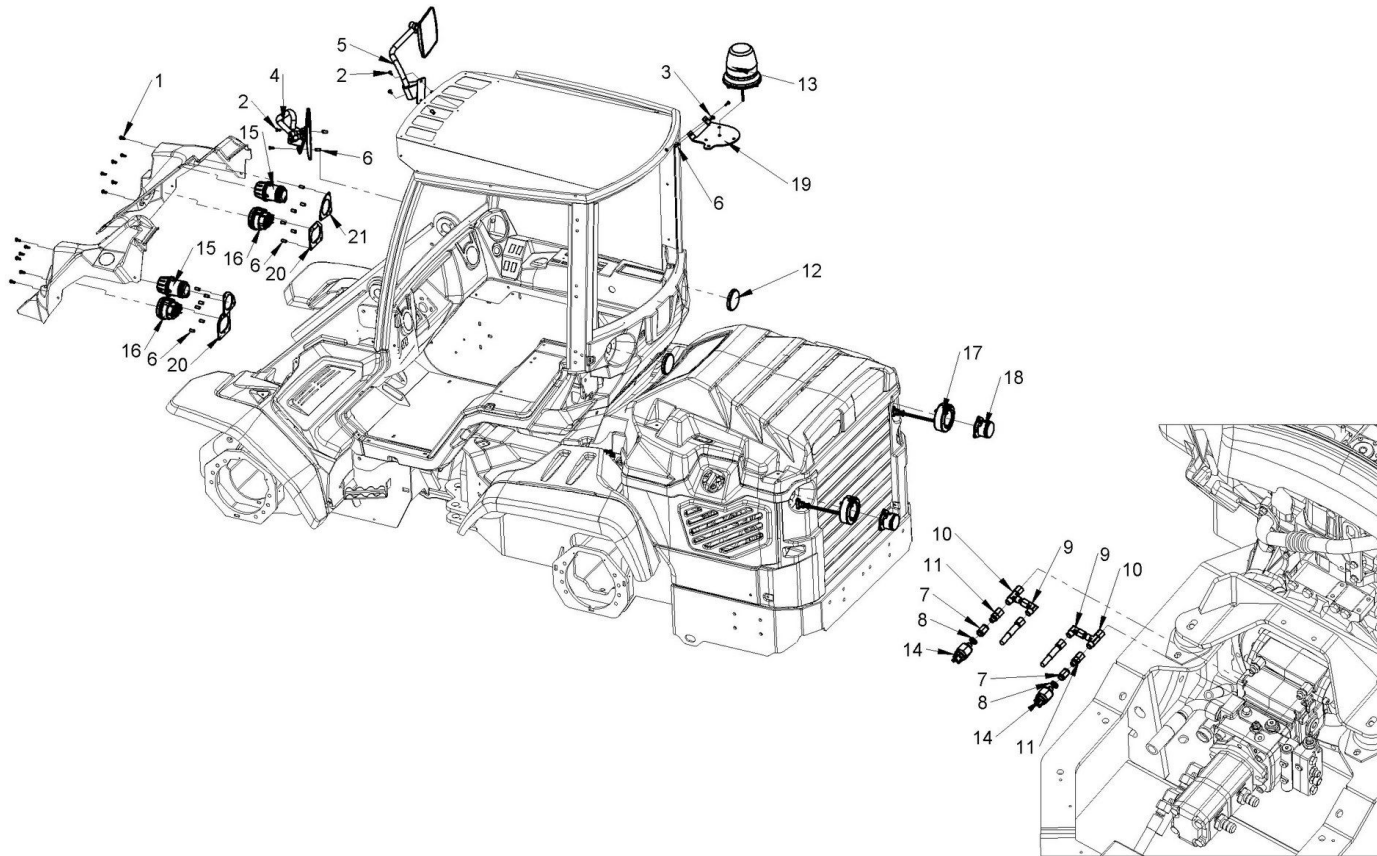
Component list [TAV. 22 ELECTRIC PARTS]

Pos.	Code	Description	Q.ty
1	C019202	DIN 6921 M8x20 FLANGED HEAD SCREW	2.00000
2	C019211	DIN 6921 M6x16 FLANGED HEAD SCREW	2.00000
3	C020053	UNI 5739 M6x30 HEX HEAD SCREW	2.00000
4	C020145	ISO 7380 M6x16 HEX SOCKET OVAL HEAD SCREW	4.00000
5	C021104	UNI 7473 SELF-LOCKING NUT M6	14.00000
6	C023090	UNI 6592 FLAT WASHER M6 - 6,4x12x1,6	4.00000
7	C023110	UNI 6593 LARGE WASHER M6 - 6,5x18x1,5	2.00000
8	C028288	THREAD INSERT M6	2.00000
9	C030587	OIL COOLER FOR MULTIONE S 600 SERIES	1.00000
10	C030606	THERMOSWITCH 50-60° M22x1,5	1.00000
11	C033004	MALE-MALE CONNECTOR 3/4" G - 22L	2.00000
12	C034001	190mm ELECTRIC FAN	1.00000
13	C035128	SILENT BLOCK DIAM. 20 H=10 2X MALE M6	4.00000
14	C036100	100A BATTERY DISCONNECTOR	1.00000



Draft and part list report
Serial n / code M351945 / C965005
Description MULTIONE 9.6KDI

15	C036174	IGNITION KEY	1.00000
16	C038154	Ø100 LCD DECK	1.00000
17	C038155	IGNITION SWITCH	1.00000
18	C038157	8 LINES FUSE BOX	1.00000
19	C038174	BATTERY SWITCH RED KEY	1.00000
20	C039606	42KW ENGINE DEVICE UNIT	1.00000
21	C281763	FIXING BASE SEAT M1 6->10	1.00000
22	C281852	FUSE SUPPORT	1.00000
23	C282765	SUPPORTO RADIATORE OLIO SOPRA POMPE REV.01	1.00000
24	C282772	SUPPORTO RADIATORE OLIO SOPRA POMPE REV.01	1.00000



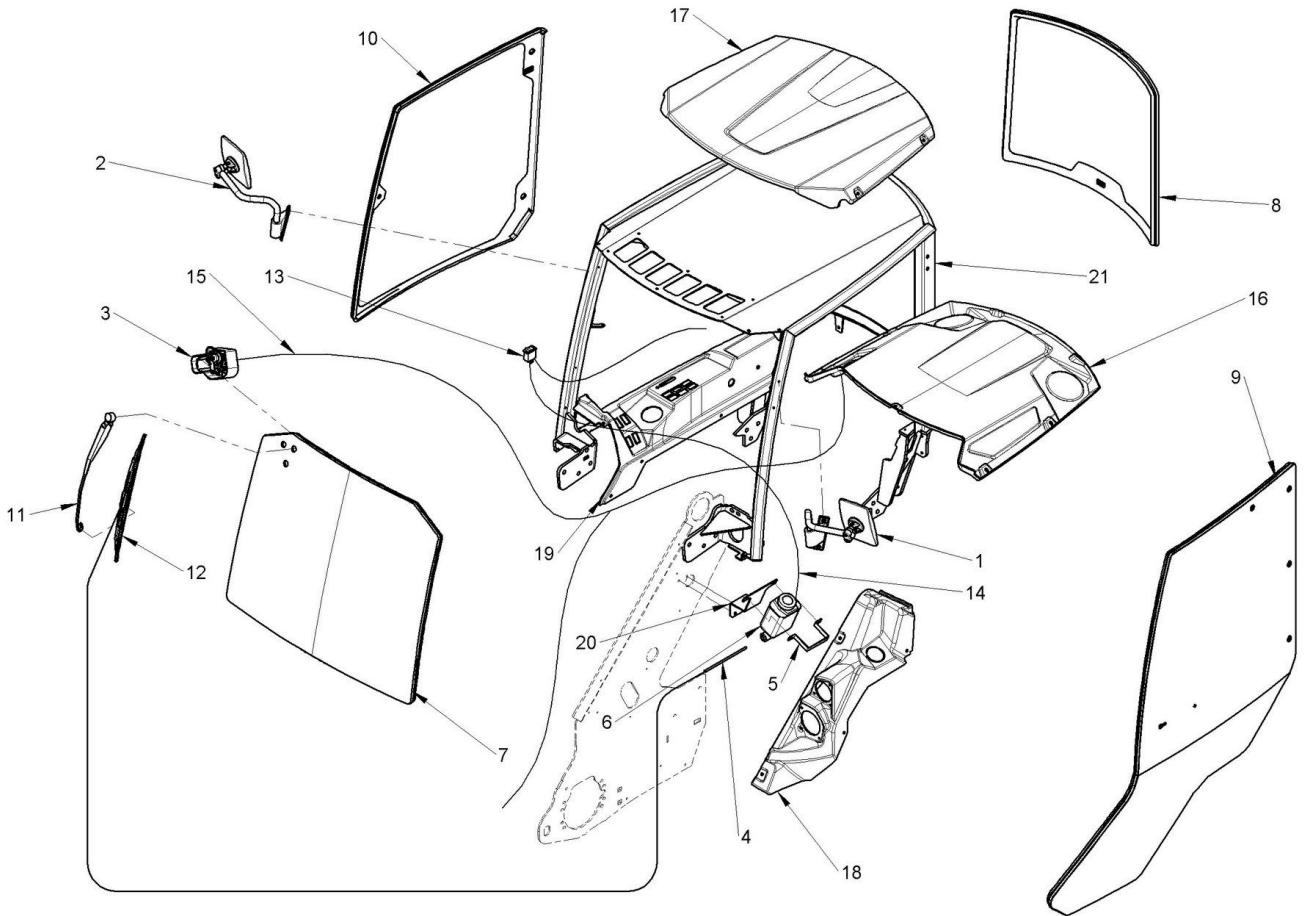
Component list [TAV. 30 M1 9-10 ROAD LIGHT]

Pos.	Code	Description	Q.ty
1	C020145	ISO 7380 M6x16 HEX SOCKET OVAL HEAD SCREW	12.00000
2	C020156	UNI 5933 M6x16 HEX SOCKET COUNTERSUNK CAP SCREW	4.00000
3	C020548	ISO 7380 M6x20 HEX SOCKET OVAL HEAD SCREW	2.00000
4	C028021	LEFT REAR VIEW MIRROR FOR S600/SL800/GT900 CABIN	1.00000
5	C028022	RIGHT REAR VIEW MIRROR FOR S600/SL800/GT900 CABIN	1.00000
6	C028271	THREAD INSERT M6	18.00000
7	C030361	CONNECTOR F1/8 GAS F1/8 GAS	2.00000
8	C030549	1/8" G BONDED WASHER	2.00000
9	C033027	ANGULAR ROTARY FITTING F6L-M6L	2.00000
10	C033033	TEE FITING SW.F-M-M 6L	2.00000
11	C033117	STANDPIPE ADAPTORS PACKING RING M1/8" - FG6L	2.00000
12	C034018	Ø80 RED RETRO REFLECTOR	2.00000
14	C036653	PRESSURE SWITCH 1/8GAS	2.00000
19	C282228	BEACON AND REAR WORK LIGHT SUPPORT	1.00000



Draft and part list report
Serial n / code M351945 / C965005
Description MULTIONE 9.6KDI

20	C282237	BRACKET FOR LIGHT	2.00000
21	C282238	BRACKET FOR HEADLAMP	2.00000



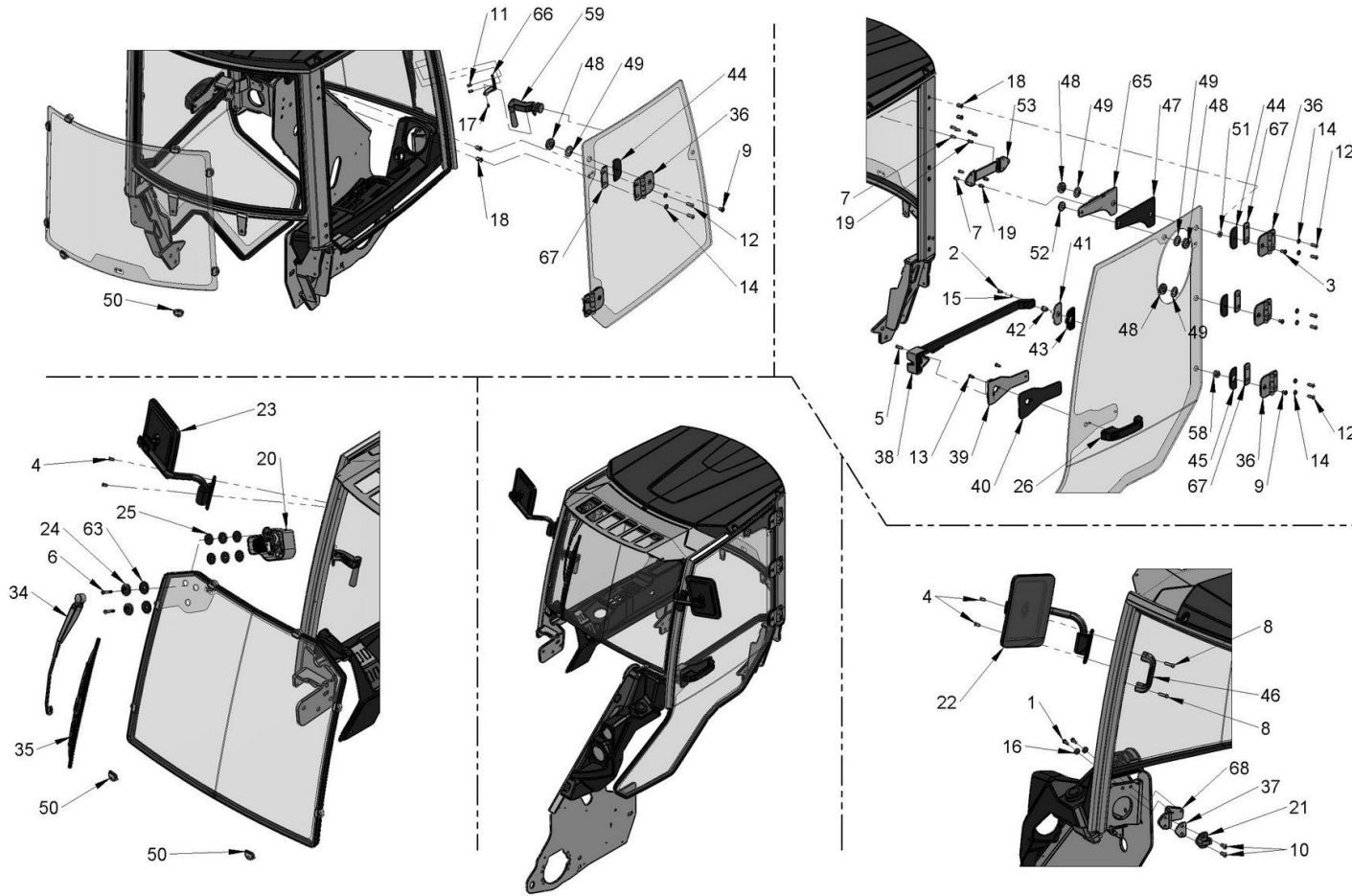
Component list [TAV. 31 M1 6-10 GLASS CABIN]

Pos.	Code	Description	Q.ty
1	C028021	LEFT REAR VIEW MIRROR FOR S600/SL800/GT900 CABIN	1.00000
2	C028022	RIGHT REAR VIEW MIRROR FOR S600/SL800/GT900 CABIN	1.00000
3	C034022	WINDSCREEN WIPER ENGINE ITG 12V 90° FOR CABIN	1.00000
4	C034082	GLASS WASHER PIPE TRANSPARENT 14X7	1.00000
5	C034090	COOLANT TANK BRACKET	1.00000
6	C034170	WIND SCREEN WASHER WATER TANK	1.00000
7	C034181	WINDSCREEN GLASS WITH SEAL M1 6->10	1.00000
8	C034182	REAR GLASS WITH SEAL M1 6->10	1.00000
9	C034183	DOOR GLASS WITH SEAL M1 6->10	1.00000
10	C034184	RIGHT SIDE GLASS WITH SEAL M1 6->10	1.00000
11	C034190	WIPER ARM FOR CABIN 5 -> 10	1.00000
12	C034191	WIPER BRUSH FOR CABIN 5 -> 10	1.00000
13	C036161	WINDSCREEN WASHER SWITCH	1.00000
14	C038031	WATER PUMP WIRING FOR WIPER M1	1.00000



Draft and part list report
Serial n / code M351945 / C965005
Description MULTIONE 9.6KDI

15	C038093	WIPER WIRING	1.00000
16	C041423	UNDER ROOF COVER	1.00000
17	C041425	OVER ROOF COVER	1.00000
18	C041429	FRONT LEFT LIGHT SUPPORT	1.00000
19	C041436	RIGHT DASHBOARD	1.00000
20	C281601	PAN WIDESCREEN WASHER SUPPORT	1.00000
21	C282200	ROLL-BAR FRAME	1.00000



Component list [TAV. 32 M1 6-7-8 GLASS CABIN DETAILS (OPTIONAL)]

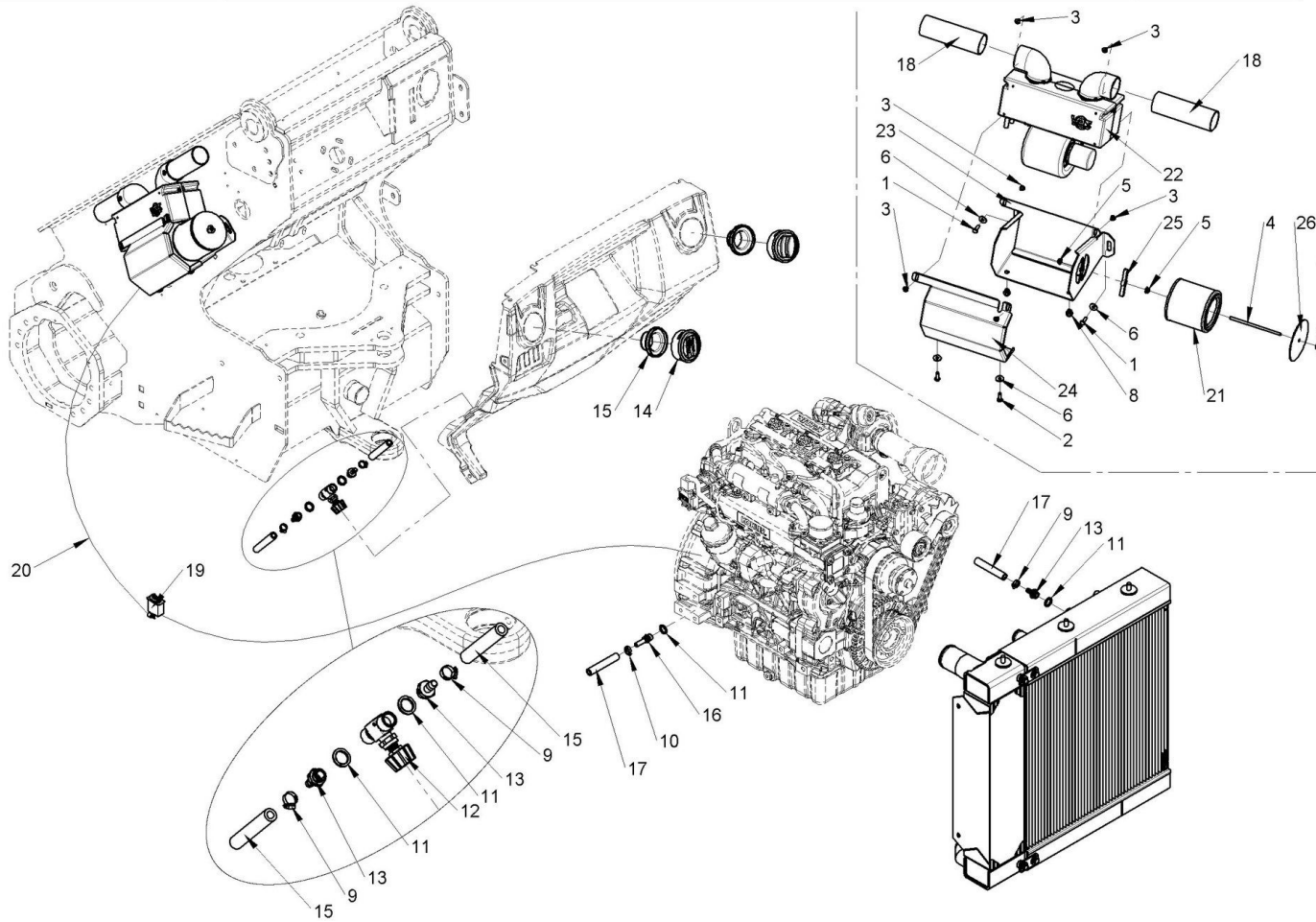
Pos.	Code	Description	Q.ty
1	C020051	ISO 4017 M6x20 SCREW	2.00000
2	C020145	ISO 7380 M6x16 HEX SOCKET OVAL HEAD SCREW	12.00000
3	C020155	M8X20 SCREW UNI5933	1.00000
4	C020156	UNI 5933 M6x16 HEX SOCKET COUNTERSUNK CAP SCREW	4.00000
5	C020167	UNI 5933 M6x30 HEX SOCKET COUNTERSUNK CAP SCREW	1.00000
6	C020168	UNI 5933 M6x40 HEX SOCKET COUNTERSUNK CAP SCREW	2.00000
7	C020187	UNI 5933 M6x20 HEX SOCKET COUNTERSUNK CAP SCREW	5.00000
8	C020212	UNI EN ISO 4762 M6x25 HEX SOCKET HEAD CAP SCREW	2.00000
9	C020295	UNI 5933 M8x16 HEX SOCKET COUNTERSUNK CAP SCREW	4.00000
10	C020541	ISO 7380 M8x20 HEX SOCKET OVAL HEAD SCREW	2.00000
11	C020542	ISO 7380 M6x12 HEX SOCKET OVAL HEAD SCREW	2.00000
12	C020543	ISO 7380 M8x25 HEX SOCKET OVAL HEAD SCREW	10.00000
13	C020548	ISO 7380 M6x20 HEX SOCKET OVAL HEAD SCREW	2.00000
14	C023041	M8 NORD LOCK WASHER	10.00000

15	C023090	UNI 6592 FLAT WASHER M6 - 6,4x12x1,6	1.00000
16	C023110	UNI 6593 LARGE WASHER M6 - 6,5x18x1,5	13.00000
17	C028266	SPRING PIN 5X16	1.00000
18	C028270	THREAD INSERT M8	10.00000
19	C028271	THREAD INSERT M6	17.00000
20	C034053	WINDSCREEN WIPER ENGINE ITG 12V 90° FOR CABIN	1.00000
21	C034023	CABIN DOOR HOLD LATCH	1.00000
22	C028021	LEFT REAR VIEW MIRROR FOR S600/SL800/GT900 CABIN	1.00000
23	C028022	RIGHT REAR VIEW MIRROR FOR S600/SL800/GT900 CABIN	1.00000
24	C034070	PLASTIC STUD FOR GLASS CABIN	2.00000
25	C034072	RUBBER WASHER FOR GLASS CABIN	6.00000
26	C034078	DOOR OUTER LOCK FOR	1.00000
27	C034082	GLASS WASHER PIPE TRANSPARENT 14X7	1.00000
28	C034090	COOLANT TANK BRACKET	1.00000
29	C034170	WIND SCREEN WASHER WATER TANK	1.00000
30	C034181	WINDSCREEN GLASS WITH SEAL M1 6->10	1.00000
31	C034182	REAR GLASS WITH SEAL M1 6->10	1.00000
32	C034183	DOOR GLASS WITH SEAL M1 6->10	1.00000
33	C034184	RIGHT SIDE GLASS WITH SEAL M1 6->10	1.00000
34	C034190	WIPER ARM FOR CABIN 5 -> 10	1.00000
35	C034191	WIPER BRUSH FOR CABIN 5 -> 10	1.00000
36	C034500	METAL HINGE	5.00000
37	C034501	UNDER HOLD LATCH PLASTIC	1.00000
38	C034502	LOCK BAR SHAPE	1.00000
39	C034503	LOCK HOLDER PLATE	1.00000
40	C034504	INNER DOOR HANDLE SEAL	1.00000
41	C034505	SHAPE BAR LOCK HOLDER PLATE	1.00000
42	C034506	KNURLED BUSH	1.00000
43	C034507	REAR BAR RUBBER	1.00000
44	C034508	SMALL HOLE HINGE RUBBER	4.00000
45	C034509	BIG HOLE HINGE RUBBER	1.00000
46	C034510	GRAB HANDLE	1.00000
47	C034515	GAS SPRING HOLDER SEAL	1.00000
48	C034516	INNER STUD CABIN	5.00000
49	C034517	Ø40-Ø20-1,5 SEAL	5.00000
50	C274258	GLASS HOLDER FOR CABIN	16.00000
51	C034519	Ø20-Ø8-6 SPACER	1.00000
52	C034522	STUD WITH M8X13 PIN	1.00000
53	C034523	TIRANTE PORTA IN NYLON LUNGHEZZA 140mm	1.00000
58	C035038	RUBBER TOP FOR CABIN GLASSES	1.00000
59	C035041	JERKY COMPASS OPENING FOR CABIN	1.00000
60	C036161	WINDSCREEN WASHER SWITCH	1.00000
61	C041423	UNDER ROOF COVER	1.00000
62	C041425	OVER ROOF COVER	1.00000
63	C274255	GLASS SEAL FOR CABIN	2.00000



Draft and part list report
Serial n / code M351945 / C965005
Description MULTIONE 9.6KDI

64	C281601	PAN WIDESCREEN WASHER SUPPORT	1.00000
65	C282309	DOOR BELT FIXING	1.00000
66	C282324	JERKY COMPASS BRACKET	1.00000
67	C282369	HINGE SPACER FOR CABIN M1 6 -> 10	5.00000
68	C282396	RISCONTRO PORTA CABINA M1 6->10 REV.03	1.00000



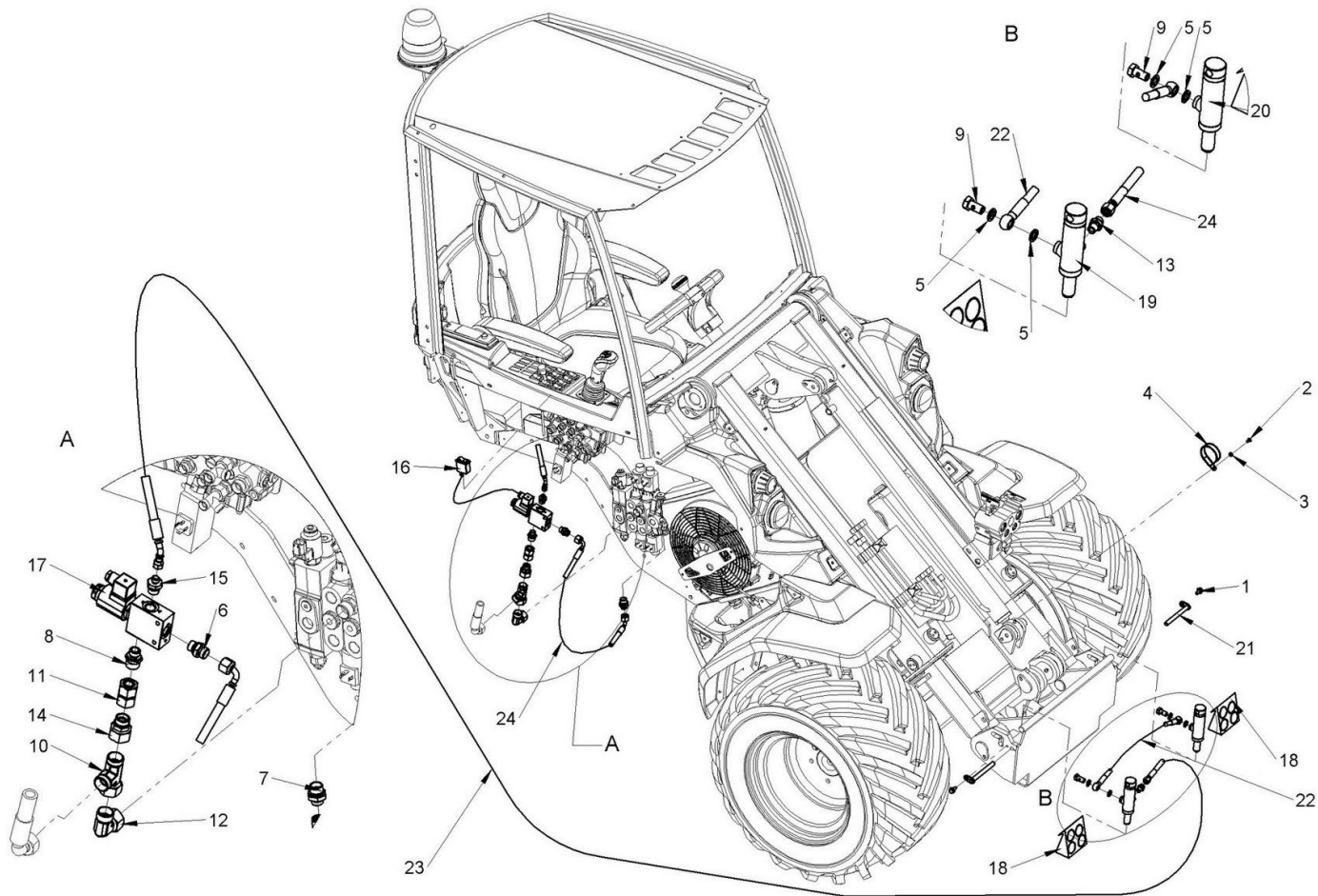
Component list [TAV. 33 HEATING SYSTEM]

Pos.	Code	Description	Q.ty
1	C020050	UNI 5739 M6x16 HEX HEAD SCREW	2.00000
2	C020548	ISO 7380 M6x20 HEX SOCKET OVAL HEAD SCREW	2.00000
3	C020554	SELF THREADER SCREW 4.8X13	6.00000
4	C020651	THREADED RODS M6 L=130	1.00000
5	C021018	M6 SERPRESS SLOTTED HEX NUT	2.00000
6	C023110	UNI 6593 LARGE WASHER M6 - 6,5x18x1,5	4.00000
7	C028028	THREE-LOBED HANDWHEEL M6 PASS-THROUGH	1.00000
8	C028271	THREAD INSERT M6	2.00000
9	C029038	STEEL BAND 10-16	3.00000
10	C029038	STEEL BAND 10-16	1.00000
11	C030547	3/8" G BONDED WASHER	4.00000
12	C034005	METAL FAUCET FOR CAB HEATING	1.00000
13	C034006	STRAIGHT HOSE FITTING 3/8" G - 3/8" HOSE	3.00000
14	C034008	∅ 76 mm AIR PORT	2.00000



Draft and part list report
Serial n / code M351945 / C965005
Description MULTIONE 9.6KDI

15	C034009	AIR PORT REDUCTION 82->76/45 mm	2.00000
16	C034092	STRAIGHT HOSE FITTING M16x1,5 - 3/8" HOSE	1.00000
17	C035034	HOT WATER RUBBER HOSE 10X17	2.00000
18	C035160	HOT AIR HOSE Ø45	2.00000
19	C036160	SWITCH FAN	1.00000
20	C038090	ADDITIONAL WIRING HEATING	1.00000
21	C039170	HEATING CARTRIDGE FILTER	1.00000
22	C035149	HEATHER MULTIONE M1 5->10, 6SD->9SD	1.00000
23	C282343	HEATHER BOX	1.00000
24	C282346	BOX HEATER CAP	1.00000
25	C282347	HEATER AIR FILTER CENTERING	1.00000
26	C282348	AIR HEATER FILTER CAP	1.00000



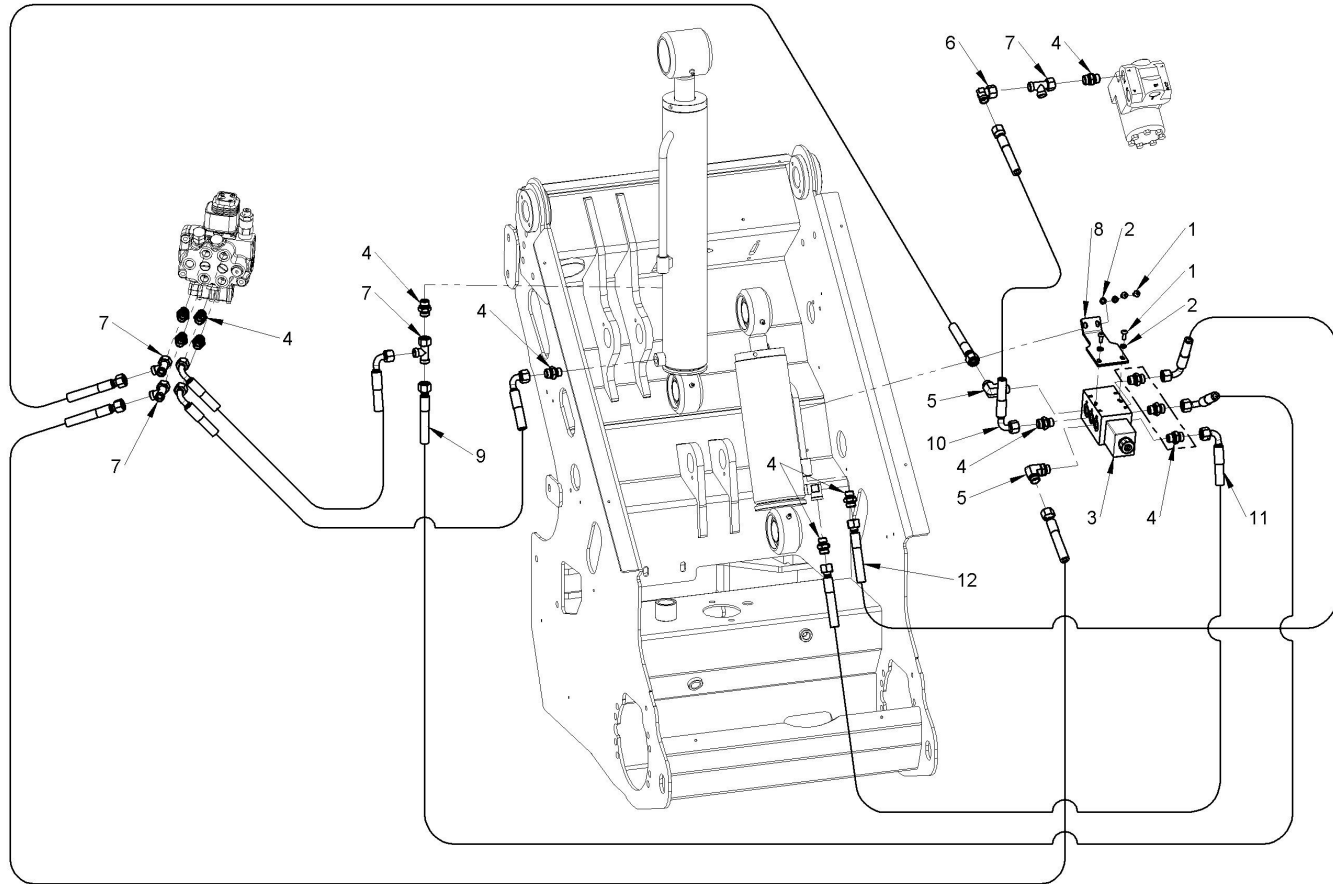
Component list [TAV. 34 M1 9-10 AUTOMATIC COUPLING PLATE]

Pos.	Code	Description	Q.ty
1	C019201	DIN 6921 M8x16 FLANGED HEAD SCREW	2.00000
2	C020542	ISO 7380 M6x12 HEX SOCKET OVAL HEAD SCREW	1.00000
3	C023090	UNI 6592 FLAT WASHER M6 - 6,4x12x1,6	1.00000
4	C029033	HOSE CLAMP WITH RUBBER Ø30	1.00000
5	C030548	1/4" G BONDED WASHER	4.00000
6	C033001	MALE-MALE CONNECTOR 3/8" G - 12 L	1.00000
7	C033002	MALE-MALE CONNECTOR 1/2" G - 12L	1.00000
8	C033010	MALE-MALE CONNECTOR 3/8" G - 15L	1.00000
9	C033015	1/4" G SINGLE PERFORED BOLT	2.00000
10	C033084	TEE FITTING SW.F-M-M 18L	1.00000
11	C033116	STRAIGHT JOINT FG15L - FG15L	1.00000
12	C033132	JOINT 90° FG90L / M18L	1.00000
13	C033134	MALE-MALE CONNECTOR 1/4" G - 8L	1.00000
14	C033161	F 18L - M 15L ADAPTOR	1.00000



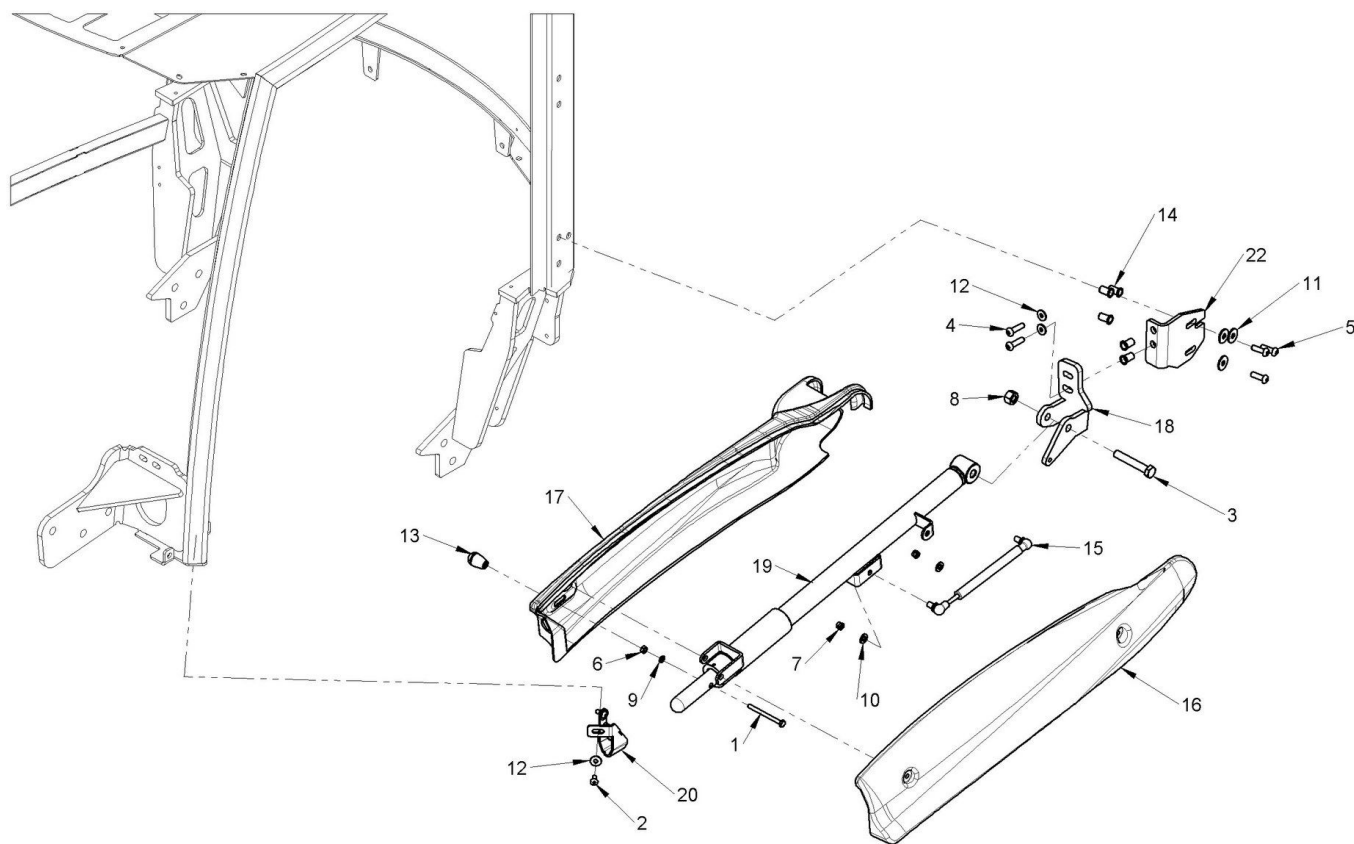
Draft and part list report
Serial n / code M351945 / C965005
Description MULTIONE 9.6KDI

15	C033173	MALE-MALE CONNECTOR 3/8" G - 6L	1.00000
16	C036167	AUTOMATIC LOCKING COUPLING PLATE SWITCH	1.00000
17	C036621	ELECTROVALVE 3 WAY 3/8 G COIL 12V DC	1.00000
18	C036811	25-20 SEAL KIT FOR CYLINDER C272286 C272287	2.00000
19	C272286	RIGHT LOCKING CYLINDER > 2010	1.00000
20	C272287	LEFT LOCKING CYLINDER > 2010	1.00000
21	C272288	Ø12x118 PIN	2.00000
22	C810258/4	TUBO 1/4, L=400, OCCHIO 1/4-OCCHIO 1/4, ORIENT. 0° BANJO 1/4, ORIENT. 0° Hose length(mm): 400 - Pressure rate: R7 Diameter(inc): 1/4 - Phase:0° 1st fitting: OCCHIO 1/4 - 2nd fitting: OCCHIO 1/4 Protection:	1.00000
23	C810379/1	TUBO 1/4, L=3800, F45 8L-FD 8L HOSE 1/4, L=3800, F45 8L-FD 8L Hose length(mm): 2030 - Pressure rate: 492-ST Diameter(inc): 1/4 - Phase: 1st fitting: MD 12L - 2nd fitting: FD 8L Protection:	1.00000
24	C810379/2	TUBO 1/4, L=400, F90 12L-F90 12L HOSE 1/4, L=400, F90 12L-F90 12L Hose length(mm): 400 - Pressure rate: 1SC Diameter(inc): 3/8 - Phase:270° 1st fitting: F90 12L - 2nd fitting: F90 12L Protection:	1.00000



Component list [TAV. 35 M1 6-10 FLOATING BOOM]

Pos.	Code	Description	Q.ty
1	C020145	ISO 7380 M6x16 HEX SOCKET OVAL HEAD SCREW	4.00000
2	C023090	UNI 6592 FLAT WASHER M6 - 6,4x12x1,6	4.00000
3	C030580	BOOM FLOAT VALVE FOR SELF LEVELING	1.00000
4	C033001	MALE-MALE CONNECTOR 3/8" G - 12 L	13.00000
5	C033021	REVOLVING CONNECTION AT 90° 3/8" ORIENT./12L	2.00000
6	C033024	90° ELBOW SW. F 12L - M 12L	1.00000
7	C033032	TEE FITTING SW.F-M-M 12L	4.00000
8	C281602	FLOATING BOOM VALVE SUPPORT	1.00000
9	C810378/1	TUBO 3/8, L=1510, F90 12L, F90 12L, ORIENT. 120° HOSE 3/8, L=1510, F90 12L, F90 12L, ORIENT. 120°	1.00000
10	C810378/2	TUBO 3/8, L=510, F90 12L, FD 12L HOSE 3/8, L=510, F90 12L, FD 12L	1.00000
11	C810378/3	TUBO 3/8, L=420, F90 12L, FD 12L HOSE 3/8, L=420, F90 12L, FD 12L	1.00000
12	C810378/4	TUBO 3/8, L=420, F90 12L, F45 12L, ORIENT. 180° HOSE 3/8, L=420, F90 12L, F45 12L, ORIENT. 180°	1.00000



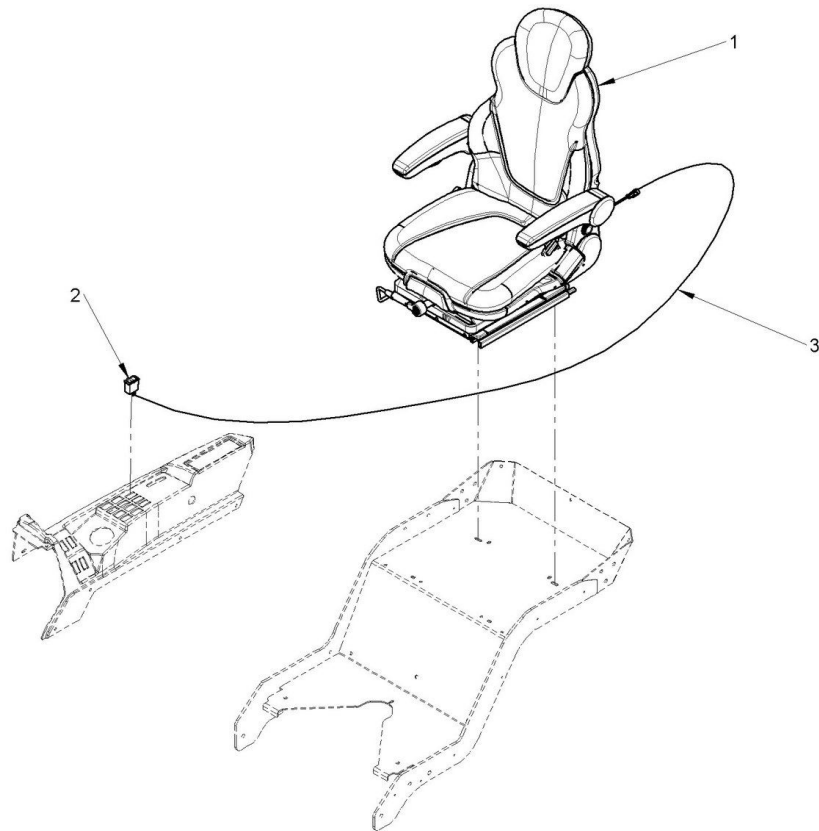
Component list [TAV. 36 SECURITY ARM]

Pos.	Code	Description	Q.ty
1	C020059	ISO 4017 M6x70 HEX HEAD SCREW	1.00000
2	C020145	ISO 7380 M6x16 HEX SOCKET OVAL HEAD SCREW	2.00000
3	C020352	M12x70 UNI ISO 4017 SCREW	1.00000
4	C020544	ISO 7380 M8x30 HEX SOCKET OVAL HEAD SCREW	2.00000
5	C020545	ISO 7380 M8x35 HEX SOCKET OVAL HEAD SCREW	3.00000
6	C021022	HEXAGON NUT M6 UNI 5588	1.00000
7	C021104	UNI 7473 SELF-LOCKING NUT M6	2.00000
8	C021504	SLOTTED AND CASTLE HEXAGON NUTS M12 DIN980	1.00000
9	C023040	M6 NORD LOCK WASHER	1.00000
10	C023071	UNI 6592 FLAT WASHER M8 - 8,4x16x1,6	2.00000
11	C023100	UNI 6593 LARGE WASHER M8 - 8,5x24x2	3.00000
12	C023110	UNI 6593 LARGE WASHER M6 - 6,5x18x1,5	4.00000
13	C028025	CONICAL BALL KNOBS WITH M6 NUT	1.00000
14	C028270	THREAD INSERT M8	5.00000



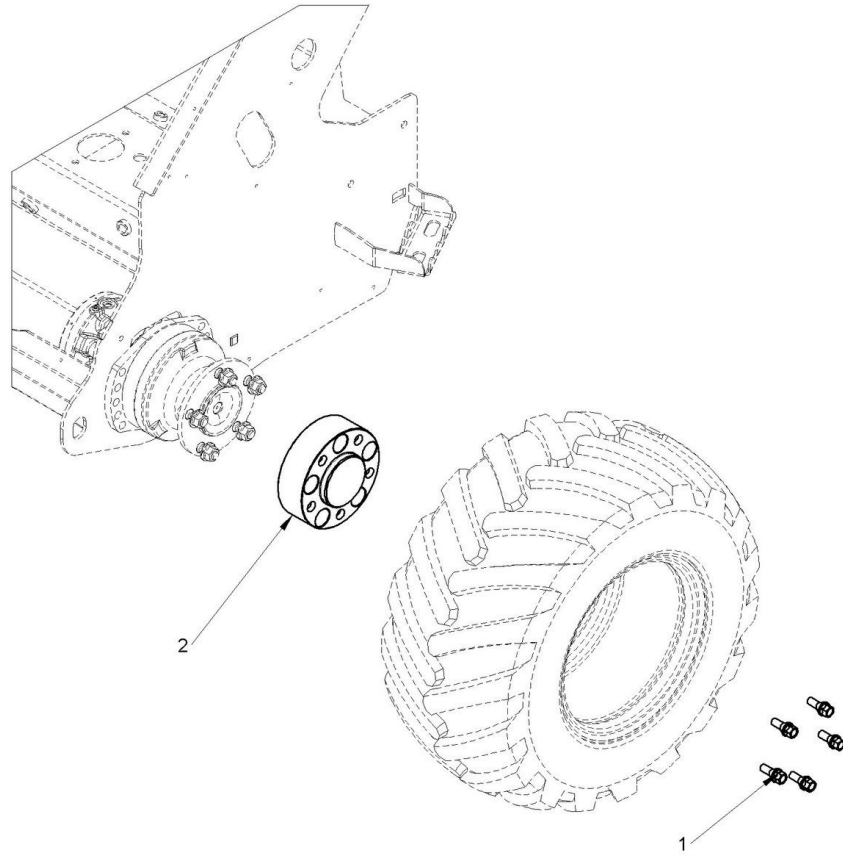
Draft and part list report
Serial n / code M351945 / C965005
Description MULTIONE 9.6KDI

15	C029509	AIR COMPRESSED SPRING 150N 120 mm	1.00000
16	C041174	EXTERNAL HOOD FOR SAFETY PROTECTION FOR SL800 BLUE	1.00000
17	C041175	INTERNAL HOOD FOR SAFETY PROTECTION FOR SL800 GRAY	1.00000
18	C274281	SECURITY ARM HINGE	1.00000
19	C279408	SECURITY ARM CENTRAL BODY	1.00000
20	C279409	LATCH SECURITY ARM	1.00000
21	C282200	ROLL-BAR FRAME	1.00000
22	C282242	SECURITY ARM SUPPORT	1.00000



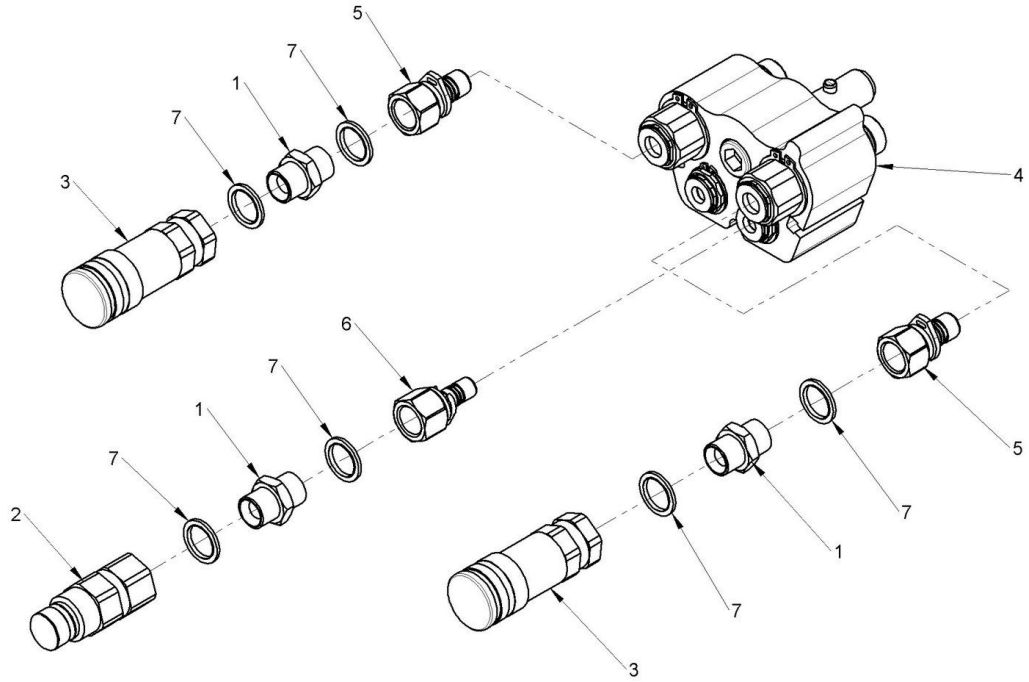
Component list [TAV. 41 LUXURY HEATED SEAT]

Pos.	Code	Description	Q.ty
1	C036772	FULL SUSPENSION LUXURY HEATED SEAT BLACK	1.00000
2	C036163	HEATED SEAT SWITCH	1.00000
3	C038091	SEAT HEATING WIRING	1.00000



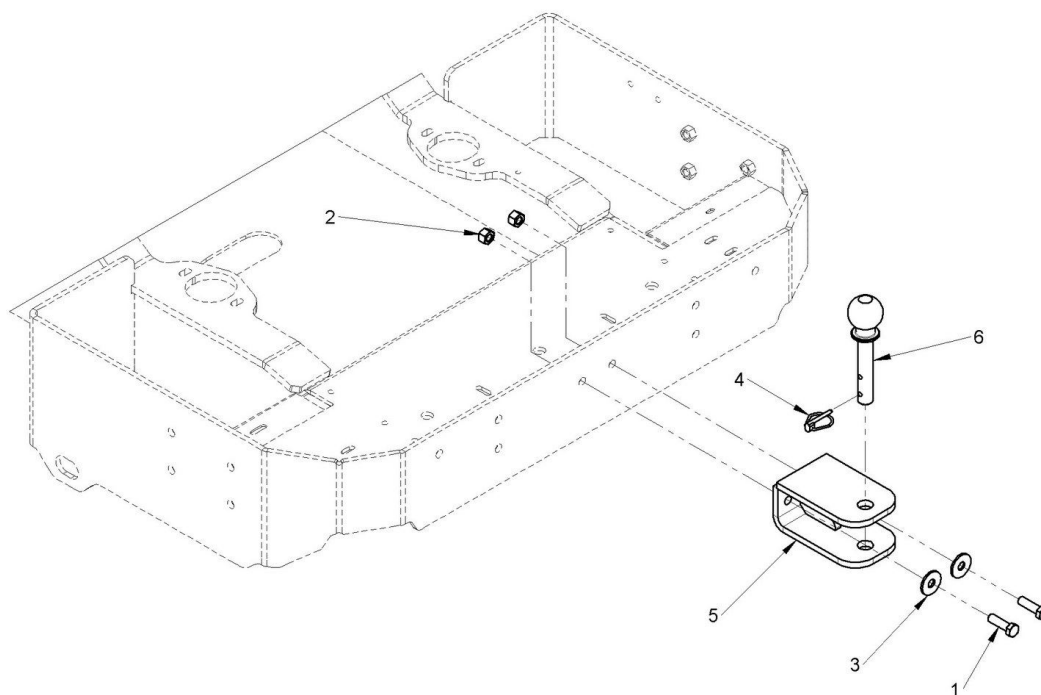
Component list [TAV. 44 55 mm WHEEL SPACER]

Pos.	Code	Description	Q.ty
1	C020502	WHEEL SCREW M12X1.5X21 60°	20.00000
2	C272098	55 mm WHEEL SPACER	4.00000



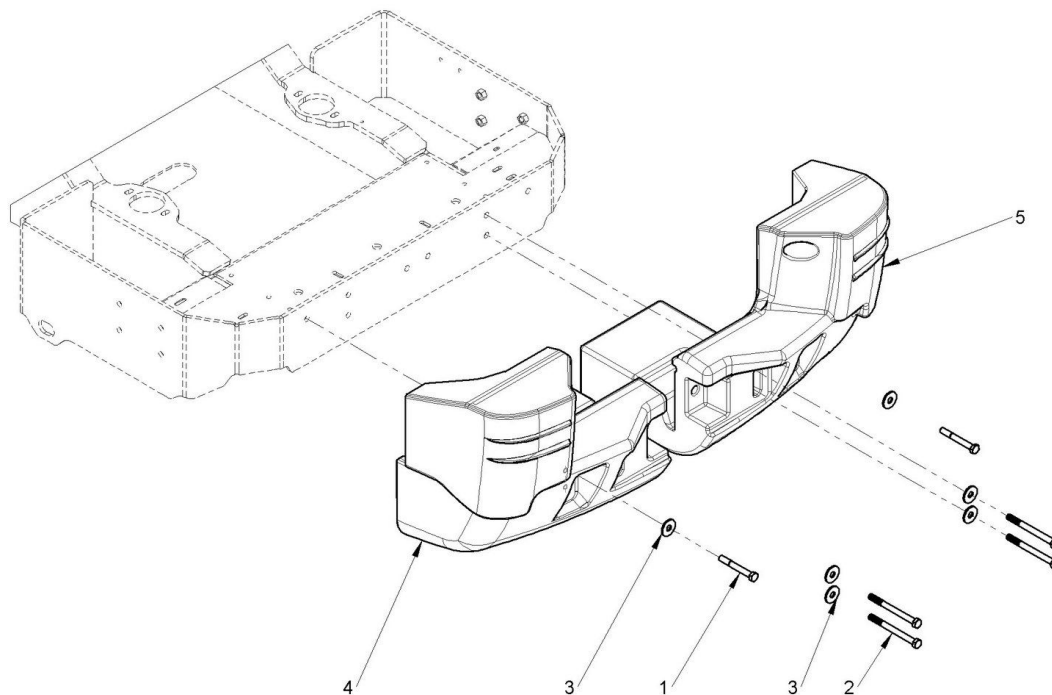
Component list [TAV. 45 MULTICONNECTOR COUPLING TO QUICK COUPLING KIT ADAPTOR]

Pos.	Code	Description	Q.ty
1	C030376	NIPPLES M 1/2" M 1/2"	3.00000
2	C030456	FLAT FACE QUICK COUPLER MALE 1/2"	1.00000
3	C030457	FLAT FACE COUPLING FEMALE 1/2"	2.00000
4	C030481	HYDRAULIC MULTICONNECTOR PLATE, ATTACHMENTS 3 WAY	1.00000
5	C030488	WEOM 1/2" - F 1/2" GAS ADAPTOR	2.00000
6	C030489	WEO M 3/8" - F 1/2" GAS ADAPTOR	1.00000
7	C030542	1/2" G BONDED WASHER	6.00000



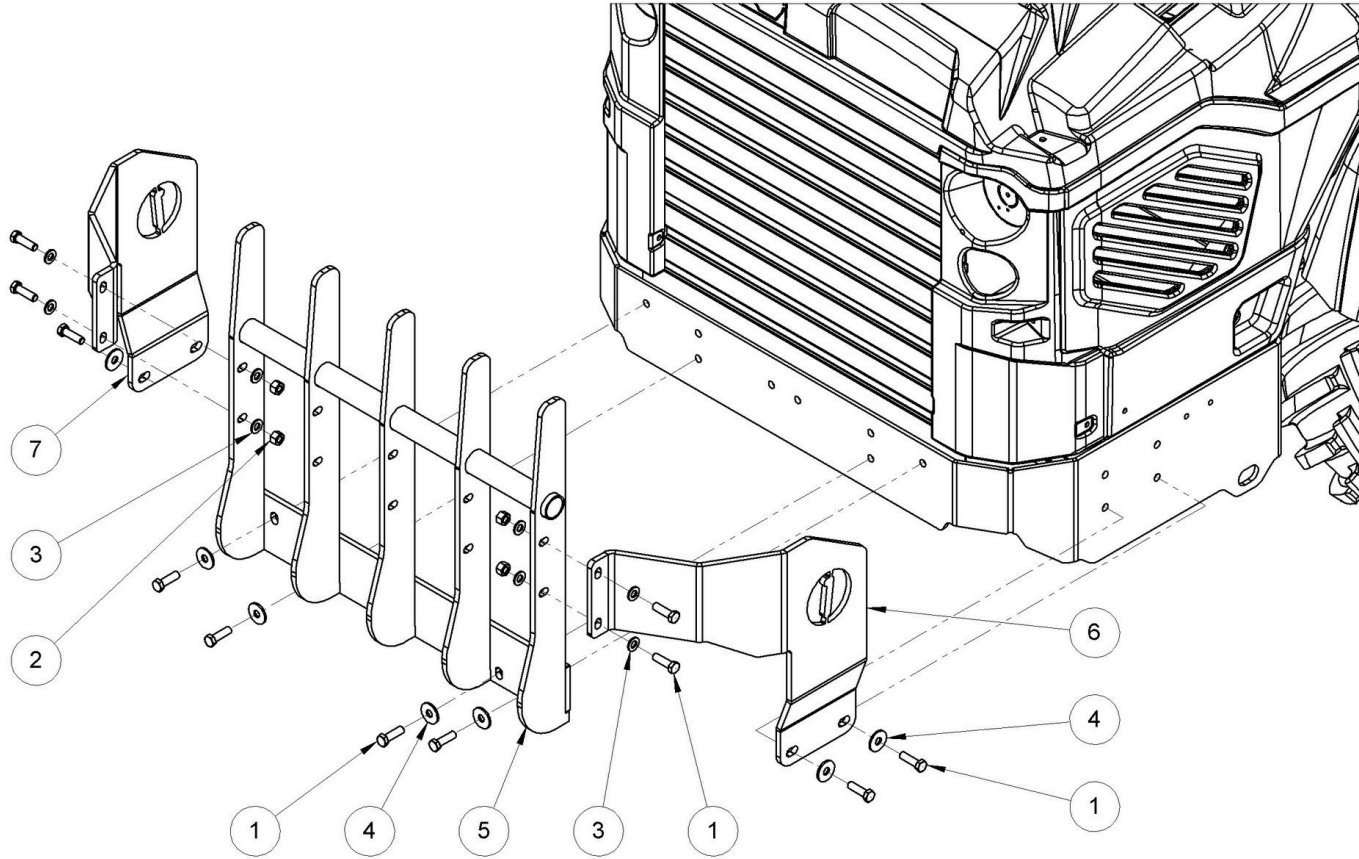
Component list [TAV. 46 TOW HOOK]

Pos.	Code	Description	Q.ty
1	C020139	HEXAGON HEAD SCREW M12x40 UNI 5739	2.00000
2	C021504	SLOTTED AND CASTLE HEXAGON NUTS M12 DIN980	2.00000
3	C023105	UNI 6593 LARGE WASHER M12 - 13x37x3	2.00000
4	C028200	LOCK PIN 5 MM	1.00000
5	C277160	M1 2-9-10-9SD-GT900 TRAILER HOOK	1.00000
6	C802049	TOW HOOK PIN	1.00000



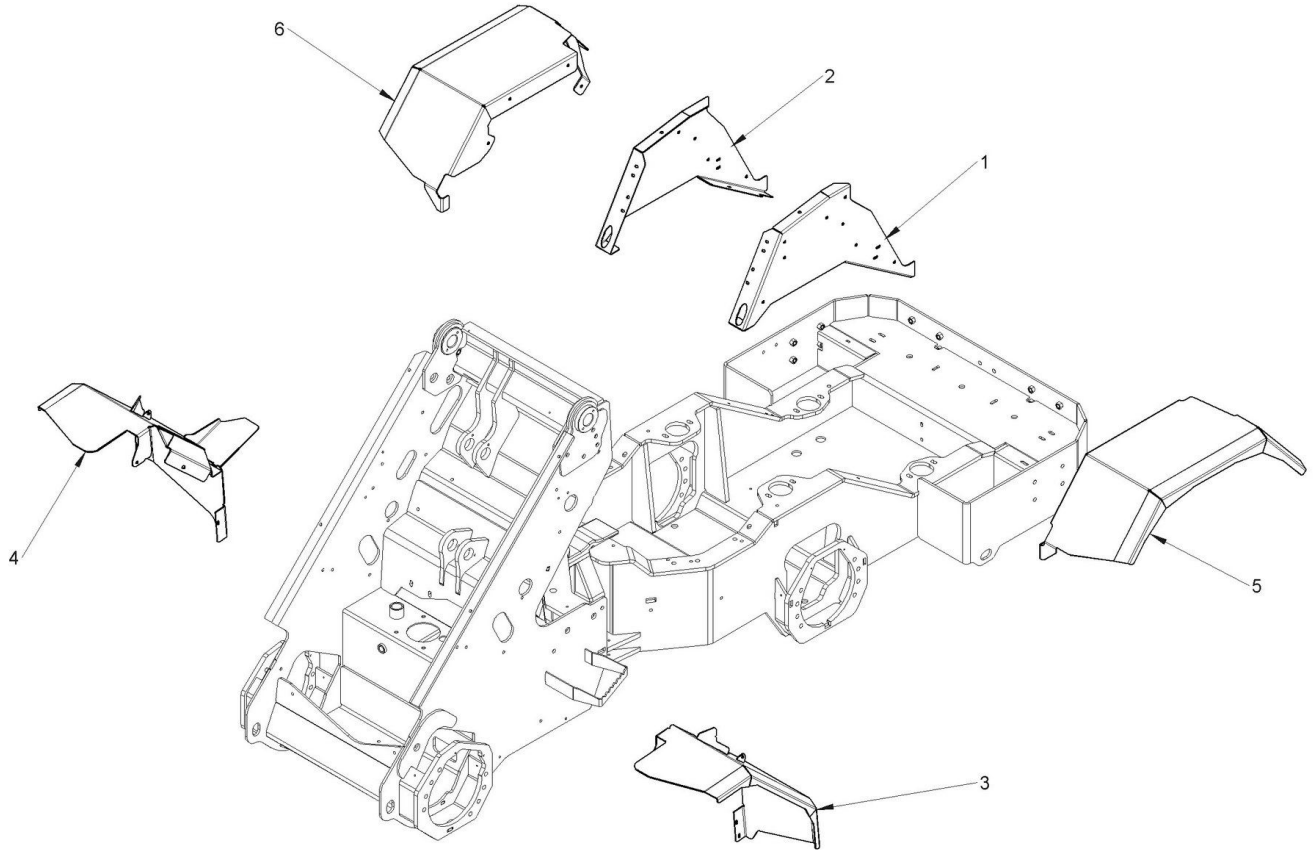
Component list [TAV. 47 220+220 KG BACKWEIGHT]

Pos.	Code	Description	Q.ty
1	C020128	UNI 5737 M12x90 HEX HEAD SCREW	2.00000
2	C020157	UNI 5737 M12x130 HEX HEAD SCREW	4.00000
3	C023105	UNI 6593 LARGE WASHER M12 - 13x37x3	6.00000
4	C277215	220 KG LEFT BACKWEIGHT FOR GT900	1.00000
5	C277216	220 KG RIGHT BACKWEIGHT FOR GT900	1.00000



Component list [TAV. 49 M1 9-10-9SD REAR BUMPER]

Pos.	Code	Description	Q.ty
1	C020139	HEXAGON HEAD SCREW M12x40 UNI 5739	12.00000
2	C021504	SLOTTED AND CASTLE HEXAGON NUTS M12 DIN980	4.00000
3	C023102	UNI 6592 FLAT WASHER M12 - 13x24x2,5	8.00000
4	C023105	UNI 6593 LARGE WASHER M12 - 13x37x3	8.00000
5	C282761	REAR BULLBAR M1 9-10	1.00000
6	C284464	MONTANTE DX PARAURTI M1 9-10-9SD	1.00000
7	C284465	MONTANTE SX PARAURTI M1 9-10-9SD	1.00000



Component list [TAV. 54 STEEL MUD GUARD]

Pos.	Code	Description	Q.ty
1	C282550	REAR LEFT MUDGUARD SUPPORT	1.00000
2	C282551	REAR RIGHT MUDGUARD SUPPORT	1.00000
3	C285241	FRONT LEFT MUD GUARD 9-10	1.00000
4	C285242	FRONT RIGHT MUD GUARD 9-10	1.00000
5	C285245	REAR LEFT MUD GUARD 9-10	1.00000
6	C285246	REAR RIGHT MUD GUARD 9-10	1.00000

PER STRUMENTO ANALOGICO
 FOR ANALOG DECK



1

PER STRUMENTO LCD
 FOR LCD DECK



2

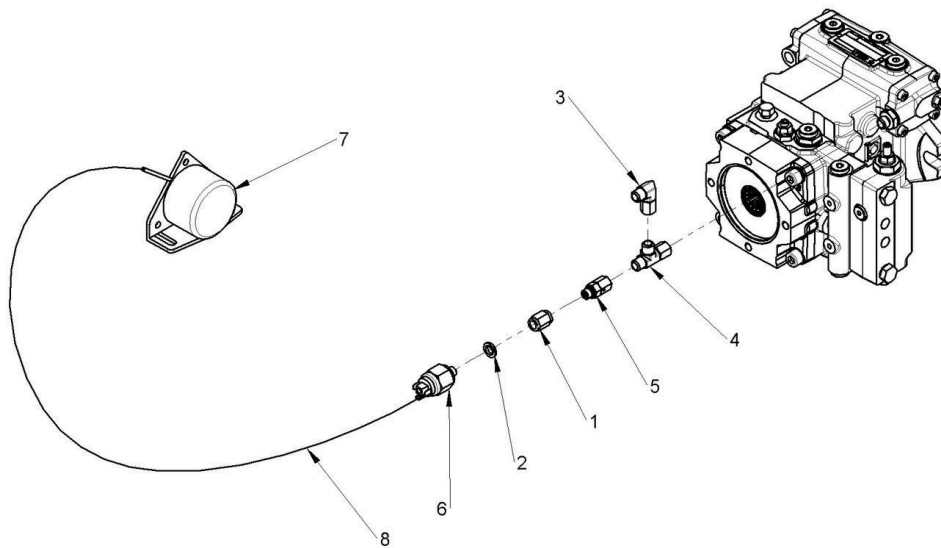
ALLARME SONORO
 BUZZER ALLARM



3

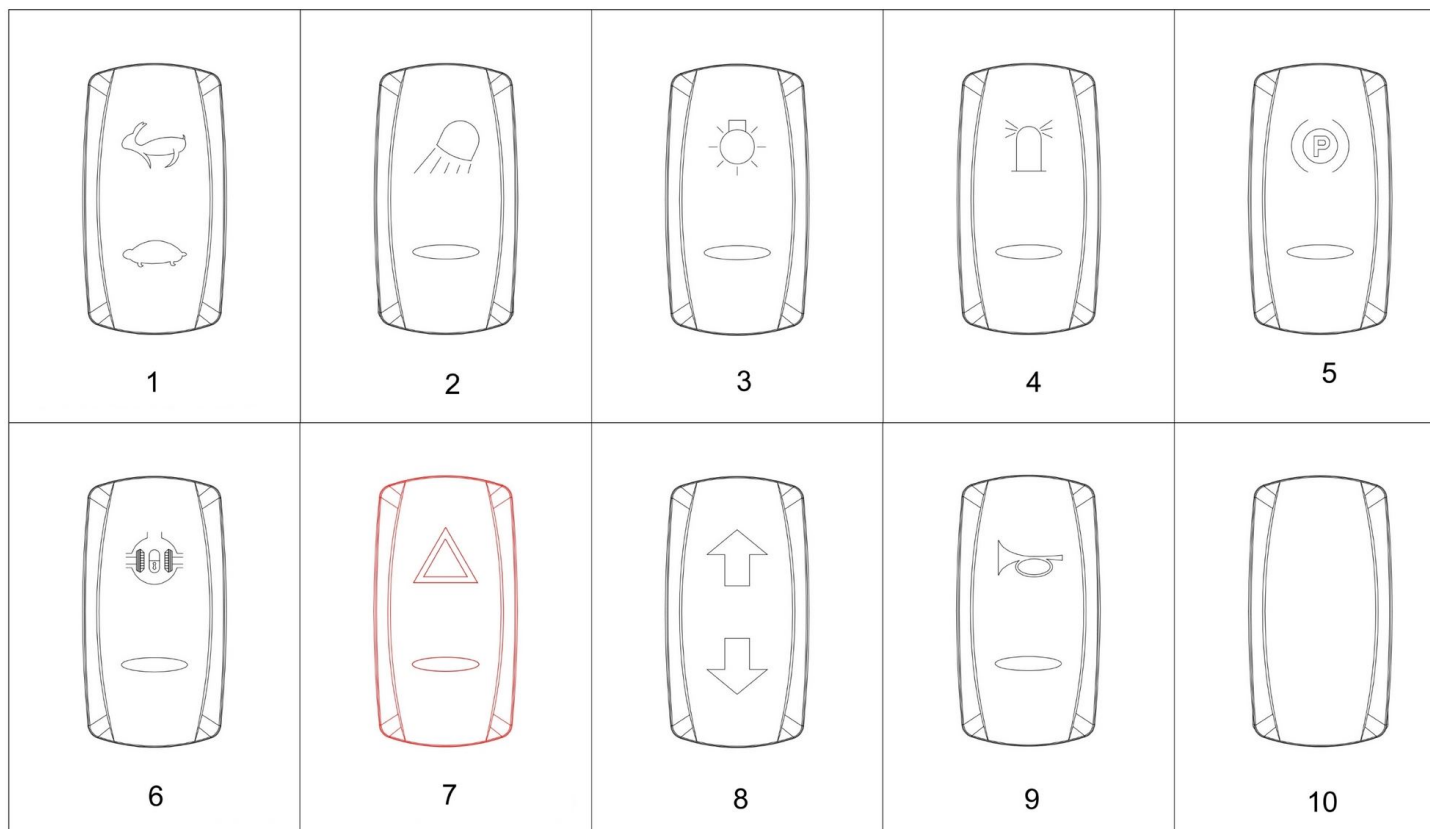
Component list [TAV. 57 WATER TEMP SENSOR]

Pos.	Code	Description	Q.ty
1	FF180/U2M02A003	WATER TEMPERATURE SENSOR, ANALOG DECK	1.00000
2	C038171	M16x1,5 CONICAL ENGINE WATER TEMP SENSOR	1.00000
3	FF163/121250-44901	WATER TEMPERATURE SENSOR - BUZZER ALARM	1.00000



Component list [TAV. 59 BACK-UP ALLARM]

Pos.	Code	Description	Q.ty
1	C030361	CONNECTOR F1/8 GAS F1/8 GAS	1.00000
2	C030549	1/8" G BONDED WASHER	1.00000
3	C033027	ANGULAR ROTARY FITTING F6L-M6L	1.00000
4	C033033	TEE FITING SW.F-M-M 6L	1.00000
5	C033117	STANDPIPE ADAPTORS PACKING RING M1/8"" - FG6L	1.00000
6	C036651	PRESSURE SWITCH 1/8""GAS	1.00000
7	FF180/31.0031.0000	BACKUP BUZZER	1.00000
8	C038088	BACK-UP ALLARM WIRING	1.00000



Component list [TAV. 61 SWITCHES]

Pos.	Code	Description	Q.ty
1	C038179	COMPLETE CHANGE SPEED SWITCH	1.00000
2	C038177	COMPLETE WORK LIGHT SWITCH	1.00000
3	C038182	COMPLETE ROAD LIGHT SWITC	1.00000
4	C038178	COMPLETE FLASHING BEACON SWITCH	1.00000
5	C038180	COMPLETE PARKING BRAKE SWITCH	1.00000
6	C038176	COMPLETE DBS SWITCH	1.00000
7	C038183	COMPLETE WARNING LIGHT SWITCH	1.00000
8	C038181	COMPLETE ELECTRIC SOCKET / LIGHT DIRECTION SWITCH	1.00000
9	C038175	COMPLETE HORN SWITCH	1.00000
10	C038184	CAP FOR SWITCH PLACE	1.00000

DECALCOMANIE / DECALS

Tav. 95

CODE	DESCRIZIONE	DESCRIPTION	NOTE
C042200	DECALCOMANIA GENERALE MACCHINE	GENERAL DECALS FOR MULTIONE	USED ON ALL MACHINES
C042202	DECALCOMANIA GENERALE PITTGRAMMI MACCHINE	GENERAL SAFETY DECALS FOR MULTIONE	USED ON ALL MACHINES
C042111	DECAL LWA 98 DB	DECAL LWA 98 DB	USED ON: 4.2, 5.2, 6.3 SERIES, 7.2 7.3 SERIES, 6.3SD, 7.3SD, 8.4SD
C042110	DECAL LWA 99 DB	DECAL LWA 99 DB	USED ON: 5.3, 8.4 SERIES
C042109	DECAL LWA 100 DB	DECAL LWA 100 DB	USED ON: 1.1, 2.3, 9.5, 9.6, 10.9, 9.5SD
C042112	DECAL LWA 101 DB	DECAL LWA 101 DB	USED ON: 10.8
C042114	DECAL LPA 82 DB	DECAL LPA 82 DB	USED ON: 7.3 SERIES, 7.3SD
C042116	DECAL LPA 84 DB	DECAL LPA 84 DB	USED ON: 7.2, 6.3 SERIES, 6.3SD
C042117	DECAL LPA 85 DB	DECAL LPA 85 DB	USED ON: 1.1, 2.3, 4.2, 5.2, 8.4 SERIES, 10.8, 10.9, 8.4SD
C042102	DECAL LPA 86 DB	DECAL LPA 86 DB	USED ON: 9.5, 9.6, 9.5SD
C042100	DECAL LPA 87 DB	DECAL LPA 87 DB	USED ON: 5.3
C042437	DIAGRAMMA DI CARICO SERIE 2	M1 2 SERIES LOAD DIAGRAM	
C042443	DIAGRAMMA DI CARICO SERIE 4 - 5	M1 4 - 5 SERIES LOAD DIAGRAM	
C042429	DIAGRAMMA DI CARICO SERIE 6	M1 6 SERIES LOAD DIAGRAM	
C042430	DIAGRAMMA DI CARICO SERIE 7 - 8	M1 7 - 8 SERIES LOAD DIAGRAM	
C042431	DIAGRAMMA DI CARICO SERIE 9	M1 9 SERIES LOAD DIAGRAM	
C042432	DIAGRAMMA DI CARICO SERIE 10	M1 10 SERIES LOAD DIAGRAM	
C042440	DIAGRAMMA DI CARICO 6SD	M1 6SD LOAD DIAGRAM	
C042439	DIAGRAMMA DI CARICO 7SD - 8SD	M1 7SD - 8SD LOAD DIAGRAM	
C042438	DIAGRAMMA DI CARICO 9SD	M1 9SD LOAD DIAGRAM	
C042175	DECALCOMANIE M1 1.1	M1 1.1 DECAL	
C042436	DECALCOMANIE M1 2.3	M1 2.3 DECAL	
C042190	DECALCOMANIE M1 4.2	M1 4.2 DECAL	
C042189	DECALCOMANIE M1 5.2	M1 5.2 DECAL	
C042188	DECALCOMANIE M1 5.3	M1 5.3 DECAL	
C042412	DECALCOMANIE M1 6.3	M1 6.3 DECAL	
C042434	DECALCOMANIE M1 6.3+	M1 6.3+ DECAL	
C042413	DECALCOMANIE M1 6.3S	M1 6.3S DECAL	
C042433	DECALCOMANIE M1 7.2	M1 7.2 DECAL	
C042414	DECALCOMANIE M1 7.3	M1 7.3 DECAL	
C042415	DECALCOMANIE M1 7.3+	M1 7.3+ DECAL	
C042416	DECALCOMANIE M1 7.3S	M1 7.3S DECAL	
C042417	DECALCOMANIE M1 8.4	M1 8.4 DECAL	
C042427	DECALCOMANIE M1 8.4+	M1 8.4+ DECAL	
C042418	DECALCOMANIE M1 8.4S	M1 8.4S DECAL	
C042420	DECALCOMANIE M1 8.5	M1 8.5 DECAL	
C042442	DECALCOMANIE M1 8.5S	M1 8.5S DECAL	
C042421	DECALCOMANIE M1 9.5	M1 9.5 DECAL	
C042424	DECALCOMANIE M1 9.6	M1 9.6 DECAL	
C042425	DECALCOMANIE M1 10.8	M1 10.8 DECAL	
C042426	DECALCOMANIE M1 10.9	M1 10.9 DECAL	
C042422	DECALCOMANIE M1 SD 6.3	M1 SD 6.3 DECAL	
C042419	DECALCOMANIE M1 SD 7.3	M1 SD 7.3 DECAL	
C042423	DECALCOMANIE M1 SD 8.4	M1 SD 8.4 DECAL	
C042428	DECALCOMANIE M1 SD 9.5	M1 SD 9.5 DECAL	

Component list [TAV. 75 DECALCOMANIE (1)]

Pos.	Code	Description	Q.ty
1	C042200	GENERAL SAFETY DECALS FOR MULTIONE	1.00000
2	C042202	S/SL/GT SAFETY DECALS FOR MULTIONE	1.00000
3	C042111	DECALCOMANIA DECIBEL LWA 98 DB	1.00000
4	C042110	DECALCOMANIA DECIBEL LWA 99 DB	1.00000
5	C042109	DECALCOMANIA DECIBEL LWA 100 DB	1.00000
6	C042112	LWA 101 DB LABEL	1.00000
7	C042114	DECALCOMANIA DECIBEL LPA 82 DB	1.00000
8	C042116	LPA 84 DB LABEL	1.00000
9	C042117	LPA 85 DB LABEL	1.00000
10	C042102	DECALCOMANIA DECIBEL LPA 86 DB	1.00000
11	C042100	DECALCOMANIA DECIBEL LPA 87 DB	1.00000
12	C042437	M1 2 SERIES LOAD DIAGRAM DECAL	1.00000
13	C042443	M1 4-5 SERIES LOAD DIAGRAM DECAL	1.00000
14	C042429	DECALCOMANIA DIAGRAMMA DI CARICO M1 6	1.00000



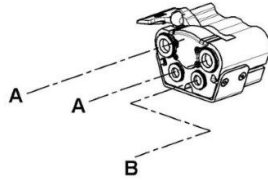
Draft and part list report
Serial n / code M351945 / C965005
Description MULTIONE 9.6KDI

15	C042430	DECALCOMANIA DIAGRAMMA DI CARICO M1 7-8	1.00000
16	C042431	DECALCOMANIA DIAGRAMMA DI CARICO M1 9	1.00000
17	C042432	DECALCOMANIA DIAGRAMMA DI CARICO M1 10	1.00000
18	C042440	M1 6SD SERIES LOAD DIAGRAM DECAL	1.00000
19	C042439	M1 7SD-8SD SERIES LOAD DIAGRAM DECAL	1.00000
20	C042438	SD 9 LOAD DIAGRAM DECAL	1.00000
21	C042175	M1 1.1 DECAL	1.00000
22	C042436	KIT DECALS PER M1 2.3	1.00000
23	C042190	DECALCOMANIE M1 4.2	1.00000
24	C042189	DECALCOMANIE M1 5.2	1.00000
25	C042188	DECALCOMANIE M1 5.3	1.00000
26	C042412	KIT DECALS FOR M1 6.3	1.00000
27	C042434	KIT DECALS FOR M1 6.3S	1.00000
28	C042413	KIT DECALS FOR M1 6.3S	1.00000
29	C042433	KIT DECALS FOR M1 7.2	1.00000
30	C042414	KIT DECALS FOR M1 7.3	1.00000
31	C042415	KIT DECALS FOR M1 7.3+	1.00000
32	C042416	KIT DECALS FOR M1 7.3S	1.00000
33	C042417	KIT DECALS FOR M1 8.4	1.00000
34	C042427	KIT DECALS FOR M1 8.4	1.00000
35	C042418	KIT DECALS FOR M1 8.4S	1.00000
36	C042420	KIT DECALS PER M1 8.5	1.00000
37	C042442	8.5S KIT DECALS	1.00000
38	C042421	DECALS KIT FOR M1 9.5	1.00000
39	C042424	KIT DECALS PER M1 9.6	1.00000
40	C042425	KIT DECALS PER M1 10.8	1.00000
41	C042426	KIT DECALS PER M1 10.9	1.00000
42	C042422	KIT DECALS PER M1 SD 6.3	1.00000
43	C042419	KIT DECALS PER M1 SD 7.3	1.00000
44	C042423	KIT DECALS PER M1 SD 8.4	1.00000
45	C042428	SD 9.5 DECALS	1.00000

INSERTI WEO / WEO FITTINGS

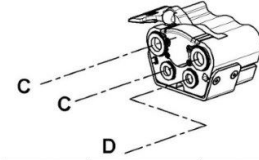
Tav. 96

**MACHINE MULTICONNECTOR
 MULTIONE 9-10 SERIES**

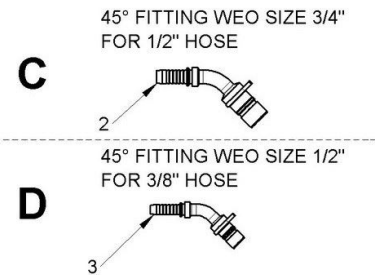
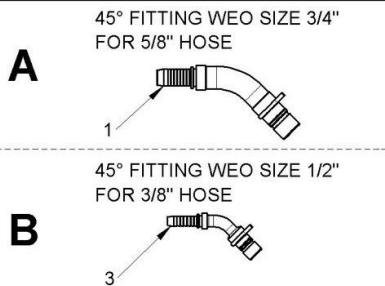


HOSE TYPE	WORK PRES BAR	HOSE DIAMETER	LENGHT RUBBER HOSE	1st FITTING DIN 2353	2nd FITTING WEO
"A" PORTS HOSES					
2SC	250	5/8"	1030	MALE STRAIGHT 18L (M30x2)	POS. 1
"B" PORT HOSE					
PILOT	100	3/8"	1150	MALE STRAIGHT 12L (M18x1,5)	POS. 3

**MACHINE MULTICONNECTOR
 MULTIONE 2-4-5-6-7-8 SERIES**



HOSE TYPE	WORK PRES BAR	HOSE DIAMETER	LENGHT RUBBER HOSE	1st FITTING DIN 2353	2nd FITTING WEO
2 SERIES					
"C" PORTS HOSES					
1SC	160	1/2"	730	FEMALE 90° 12L (M18x1,5)	POS. 2
1SC	160	1/2"	690	FEMALE STRAIGHT 12L (M18x1,5)	POS. 2
"D" PORT HOSE					
PILOT	100	3/8"	710	FEMALE 90° 12L (M18x1,5)	POS. 3
4-5 SERIES					
"C" PORTS HOSES					
1SC	160	1/2"	730	MALE STRAIGHT 15L (M22x1,5)	POS. 2
1SC	160	1/2"	780	MALE STRAIGHT 15L (M22x1,5)	POS. 2
"D" PORT HOSE					
PILOT	100	3/8"	790	MALE STRAIGHT 12L (M18x1,5)	POS. 3
6-7-8 SERIES					
"C" PORTS HOSES					
1SC	160	1/2"	970	MALE STRAIGHT 15L (M22x1,5)	POS. 2
"D" PORT HOSE					
PILOT	100	3/8"	1060	MALE STRAIGHT 12L (M18x1,5)	POS. 3

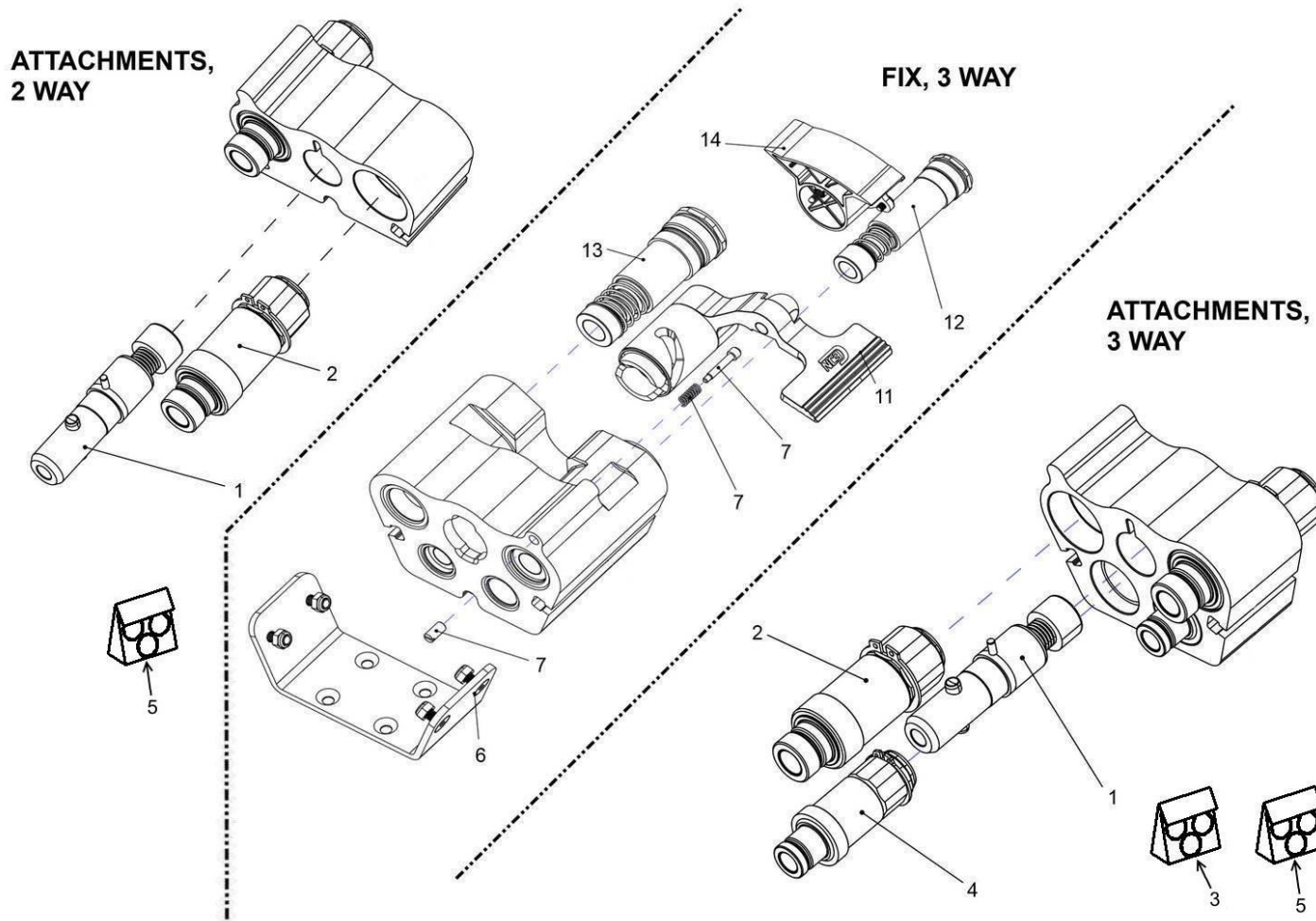


Component list [TAV. 96 MACHINE MULTICONNECTOR WEO FITTINGS]

Pos.	Code	Description	Q.ty
1	C033401	45° FITTING WEO SIZE 3/4" FOR 5/8" HOSE	1.00000
2	C033402	45° FITTING WEO SIZE 3/4" FOR 1/2" HOSE	1.00000
3	C033405	45° FITTING WEO SIZE 1/2" FOR 3/8" HOSE	1.00000
4	C033410	STRAIGHT FITTING WEO SIZE 1/2" FOR 1/2" HOSE	1.00000
5	C033411	STRAIGHT FITTING WEO SIZE 1/2" FOR 3/8" HOSE	1.00000
6	C033416	90° FITTING WEO SIZE 1/2" FOR 3/8" HOSE	1.00000
7	C033425	STRAIGHT FITTING WEO SIZE 3/8" FOR 3/8" HOSE	1.00000

PIASTRA MULTICONNESSIONE / MULTI COUPLING PLATE

Tav. 99



Component list [TAV. 99 HYDRAULIC MULTI COUPLING PLATE, FIX 3 WAY, ATTACHMENTS 3 WAY, ATTACHMENTS 2 WAY]

Pos.	Code	Description	Q.ty
1	FF1187/109324972	CENTER BOLT MALE MULTI	1.00000
2	FF1187/105646905	MALE JOINY KIT DN 12,5	1.00000
3	FF1187/103654991	DN 10 SEAL KIT	1.00000
4	FF1187/103646904	MALE JOINY KIT DN 10	1.00000
5	FF1187/105654991	DN 12,5 SEAL KIT	1.00000
6	FF1187/109324975	MOUNTING BRACKET	1.00000
7	FF1187/109324992	LOCKING LEVER PIN KIT	1.00000
11	FF1187/109324970	LOCKING LEVER KIT	1.00000
12	FF1187/103651906	FEMALE JOINY KIT DN 10	1.00000
13	FF1187/105651907	FEMALE JOINY KIT DN 12,5	1.00000
14	FF1187/109324971	BACK LID KIT	1.00000



Draft and part list report
Serial n / code M351945 / C965005
Description MULTIONE 9.6KDI