

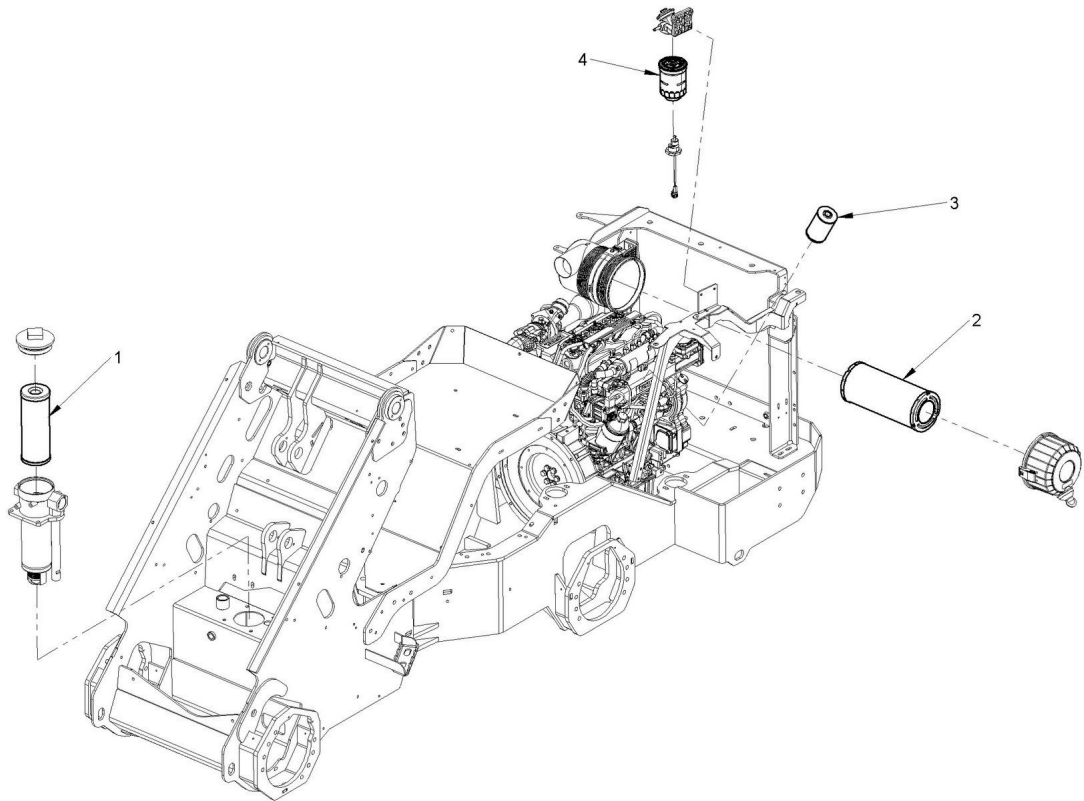
List of machine draft

N.	Draft
1	TAV. 00 FILTERS
2	TAV. 01 ENGINE AND SUPPORT
3	TAV. 02 PUMPS
4	TAV. 03 ONEDRIVE VALVE
5	TAV. 04 BOOM FIXED PART
6	TAV. 05 BOOM MOBILE PART
7	TAV. 06 PEDALS
8	TAV. 07 OIL COOLER
9	TAV. 08 ENGINE COOLER
10	TAV. 09 ARTICULATION
11	TAV. 10 WHEEL MOTORS
12	TAV. 11 WHEEL MOTORS
13	TAV. 12 THREAD INSERT
14	TAV. 13 ENGINE FIXING
15	TAV. 14 CYLINDER AND POWER STEERING
16	TAV. 15 OIL HOSES
17	TAV. 16 SPEED CHANGE
18	TAV. 17 COMPRESSED AIR PIPES
19	TAV. 18 ENGINE COOLER
20	TAV. 19 ENGINE COOLER FRAME
21	TAV. 20 REAR SIDE SUPPORTS
22	TAV. 21 BATTERY AND MUFFLER
23	TAV. 22 DISTRIBUTORS
24	TAV. 23 OIL COOLER
25	TAV. 24 EXPANSIONE TANK
26	TAV. 25 FRONT FITTINGS
27	TAV. 26 REAR FITTINGS
28	TAV. 27 FRONT MUDGUARD
29	TAV. 28 AIR HOSES
30	TAV. 29 FUEL TANK
31	TAV. 30 REAR MUDGUARD SUPPORT
32	TAV. 31 ENGINE ECU
33	TAV. 32 FUEL HOSES
34	TAV. 33 SEAT SUPPORT
35	TAV. 34 RELAY SUPPORT
36	TAV. 35 WHEELS
37	TAV. 36 BOOM
38	TAV. 37 TILTING PLATE
39	TAV. 38 COUPLING PLATE



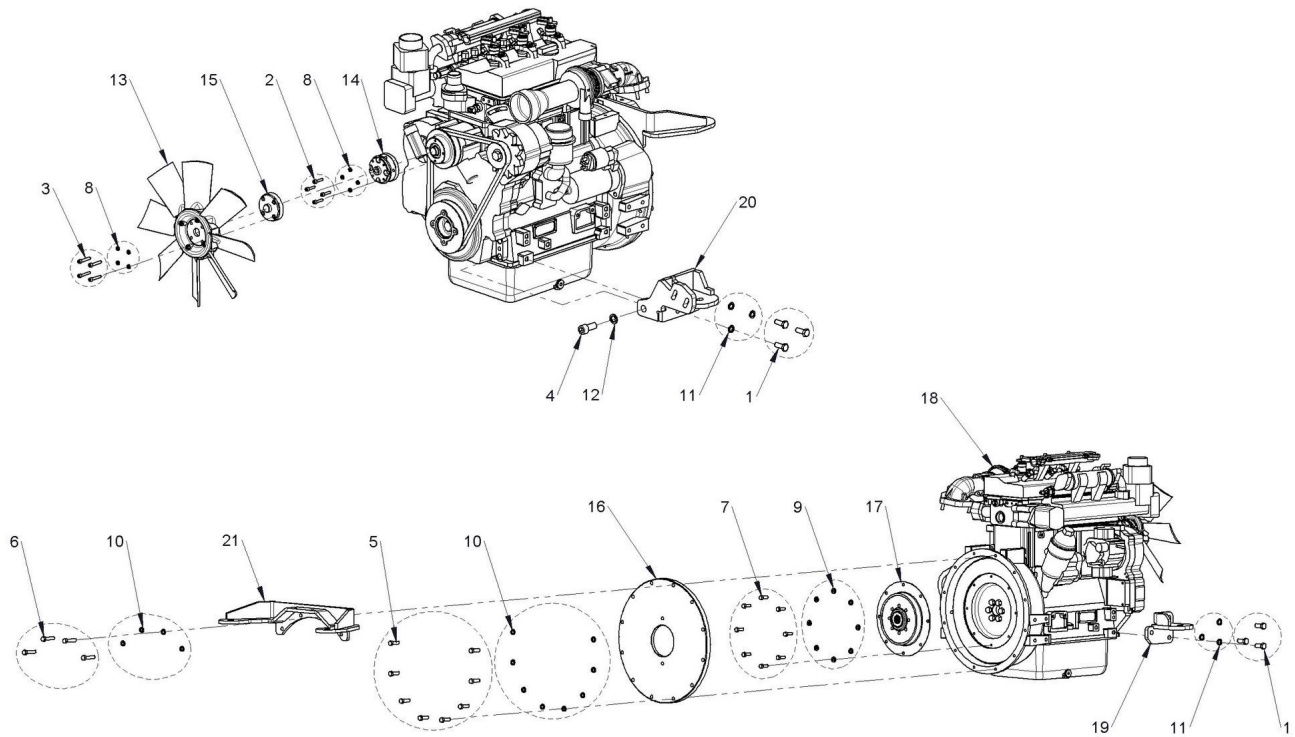
Draft and part list report
Serial n / code M354995 / C968100
Description MULTIONE 11.6K STAGE 5

40	TAV. 39 ROLLBAR
41	TAV. 40 FOOTREST PLATE
42	TAV. 41 BACK CABIN COVER
43	TAV. 42 UNDER SEAT COVER
44	TAV. 43 UNDER STEERING WHEEL COVER
45	TAV. 44 FRONT LEFT COVER
46	TAV. 45 FRONT RIGHT COVER
47	TAV. 46 DASHBOARD
48	TAV. 47 FRONT LIGHTS HOLDER
49	TAV. 48 WINDSCREEN HOLDER
50	TAV. 49 UNDER BOOM COVER
51	TAV. 50 SEAT
52	TAV. 51 BOOM AND CABIN BUFFERS
53	TAV. 52 REAR COVER SUPPORTS
54	TAV. 53 OVER ARTICULATION AND OVER PUMPS COVER
55	TAV. 54 REAR RIGHT SIDE COVERS
56	TAV. 55 REAR LEFT SIDE COVERS
57	TAV. 56 OVER ENGINE HOOD
58	TAV. 57 ELECTRIC PARTS
59	TAV. 58 BOOM HYDRAULIC DIAGRAM
60	TAV. 59 WHEEL MOTORS HYDRAULIC DIAGRAM
61	TAV. 60 LEAKING AND CHANGE SPEED HYDRAULIC DIAGRAM
62	TAV. 61 SERVICES HYDRAULIC DIAGRAM
63	TAV. 80 ELECTRIC SWITCHES 2ND GEN



Component list [TAV. 00 FILTERS]

Pos.	Code	Description	Q.ty
1	C036639	HYDRAULIC FILTER CARTRIDGE M1 9-10	1.00000
2	C039079	7" AIR FILTER CARTRIDGE WITH SAFETY FILTER	1.00000
3	C039182	KOHLER OIL FILTER CARTRIDGE	1.00000
4	C039183	DIESEL FILTER CARTRIDGE	1.00000



Component list [TAV. 01 ENGINE AND SUPPORT]

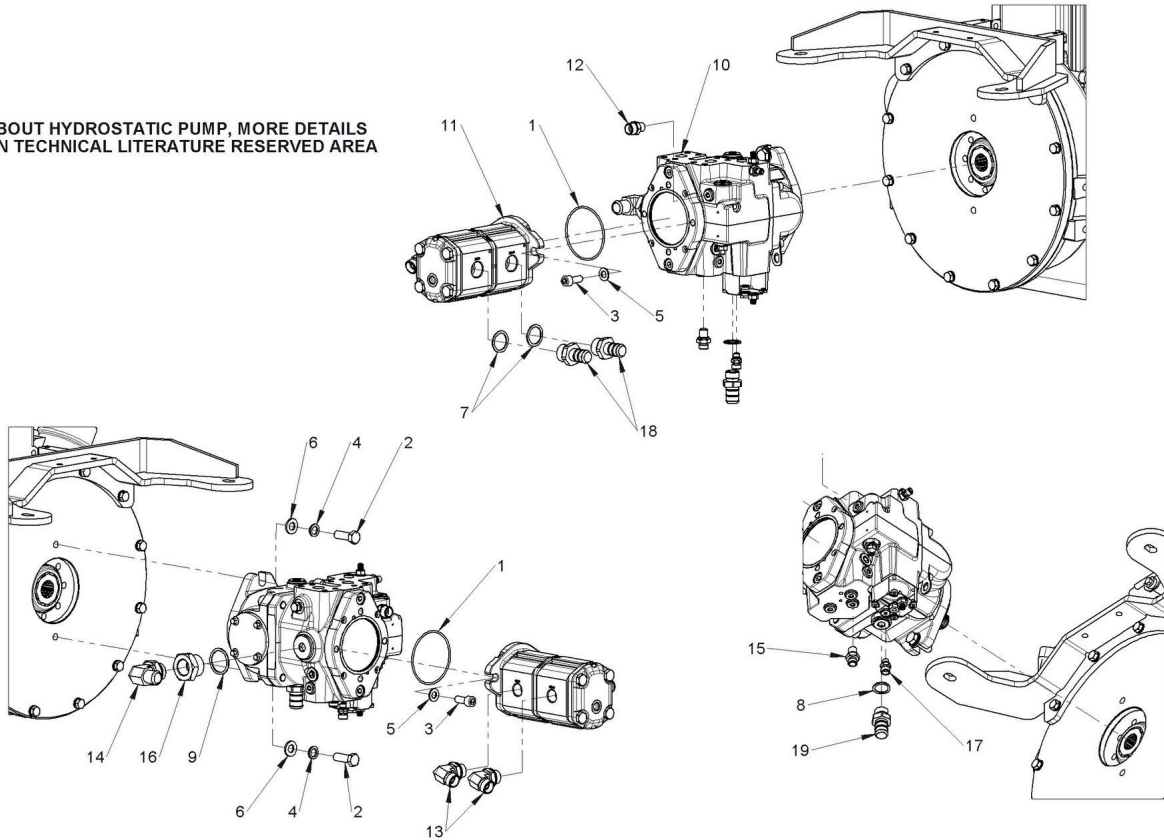
Pos.	Code	Description	Q.ty
1	C020132	UNI 5739 M12x30 HEX HEAD SCREW	6.00000
2	C020212	UNI EN ISO 4762 M6x25 HEX SOCKET HEAD CAP SCREW	4.00000
3	C020214	UNI EN ISO 4762 M6x35 HEX SOCKET HEAD CAP SCREW	4.00000
4	C020293	UNI EN ISO 12474:2010 M16x1,5x35 HEX SOCKET HEAD CAP SCREW	1.00000
5	C020410	HEXAGONAL SCREW 3/8"-16 UNC-28 L=1" 1/4 ZB	8.00000
6	C020414	HEXAGONAL SCREW 3/8"-16 UNC-28 L=1" 3/4 ZB	4.00000
7	C020730	HEXAGONAL SCREW 5/16" UNC L=1" ZB	8.00000
8	C023040	M6 NORD LOCK WASHER	8.00000
9	C023041	M8 NORD LOCK WASHER	8.00000
10	C023042	M10 NORD LOCK WASHER	12.00000
11	C023043	M12 NORD LOCK WASHER	6.00000
12	C023045	M16 NORD LOCK WASHER	1.00000
13	C034217	Ø400 35° FAN FOR ENGINE	1.00000
14	C039190	76-76-40 MM FAN SPACER KOHLER	1.00000
15	C039191	Ø76 TH 18 mm FAN SPACER	1.00000
16	C039555	SAE B KOHLER PUMP FLANGE	1.00000
17	C039556	Z15 RUBBER JOINT	1.00000



Draft and part list report
Serial n / code M354995 / C968100
Description MULTIONE 11.6K STAGE 5

18	C039608	KOHLER KDI1903TCR STAGE5	1.00000
19	C282477	REAR LEFT ENGINE SUPPORT	1.00000
20	C282480	REAR RIGHT ENGINE SUPPORT	1.00000
21	C282787	ASSIEME SUPP ANTERIORE MOTORE M1 9.6 11.6 REV.04	1.00000

ABOUT HYDROSTATIC PUMP, MORE DETAILS ON TECHNICAL LITERATURE RESERVED AREA



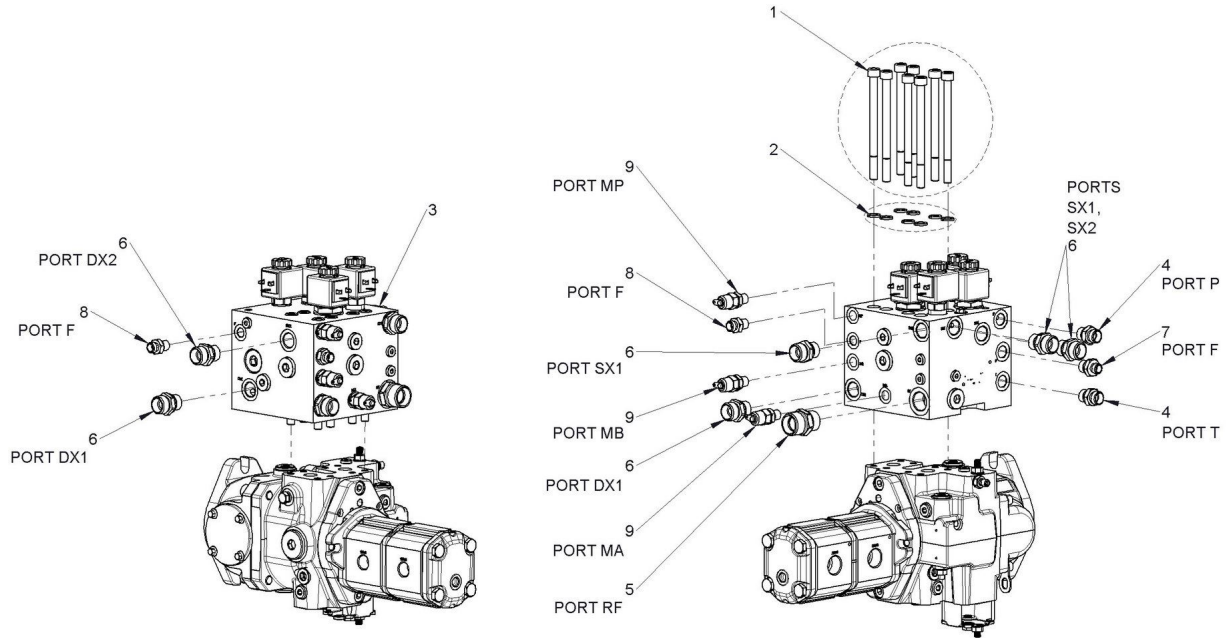
Component list [TAV. 02 PUMPS]

Pos.	Code	Description	Q.ty
1	C016001	ORING 82,22X2,62	1.00000
2	C020133	HEXAGON HEAD BOLT 10.9 M12x35 ISO 4017	2.00000
3	C020219	UNI EN ISO 4762 M10x25 HEX SOCKET HEAD CAP SCREW	2.00000
4	C023043	M12 NORD LOCK WASHER	2.00000
5	C023080	UNI 6592 FLAT WASHER M10 - 10,5x20x2	2.00000
6	C023102	UNI 6592 FLAT WASHER M12 - 13x24x2,5	2.00000
7	C030534	COPPER WASHER 3/4" GAS	2.00000
8	C030535	COPPER WASHER 1/2" GAS	1.00000
9	C030537	1" COPPER WASHER	1.00000
10	C031389	HYDROSTATIC PUMP C3 46CC FLANGED	1.00000
11	C031601	16+16 cc TWIN GEAR PUMP	1.00000
12	C033009	MALE-MALE CONNECTOR 1/4" G - 12L	1.00000
13	C033022	90° ELBOW ADJ. MALE 1/2" G - MALE 15L	2.00000
14	C033028	90° ELBOW HOSE FITTING SW.M 3/4" G - 3/4" HOSE	1.00000
15	C033134	MALE-MALE CONNECTOR 1/4" G - 8L	1.00000
16	C033142	COUPLING REDUCING M 1" G - F 3/4 G	1.00000
17	C033172	MALE-MALE CONNECTOR 1/8" G - 8L	1.00000



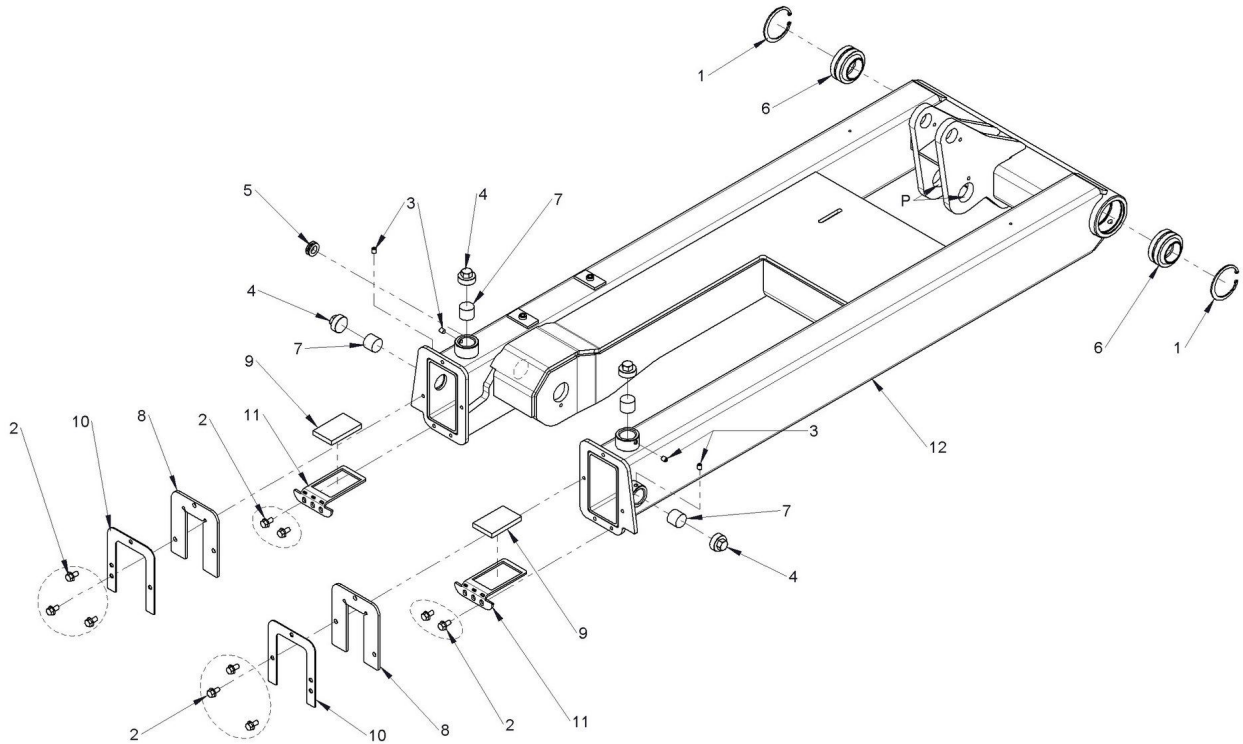
Draft and part list report
Serial n / code M354995 / C968100
Description MULTIONE 11.6K STAGE 5

18	C033300	STRAIGHT HOSE CONNECTOR 3/4" G F - 3/4" HOSE	2.00000
19	C033301	STRAIGHT HOSE FITTING 1/2" G - 3/4" HOSE	1.00000



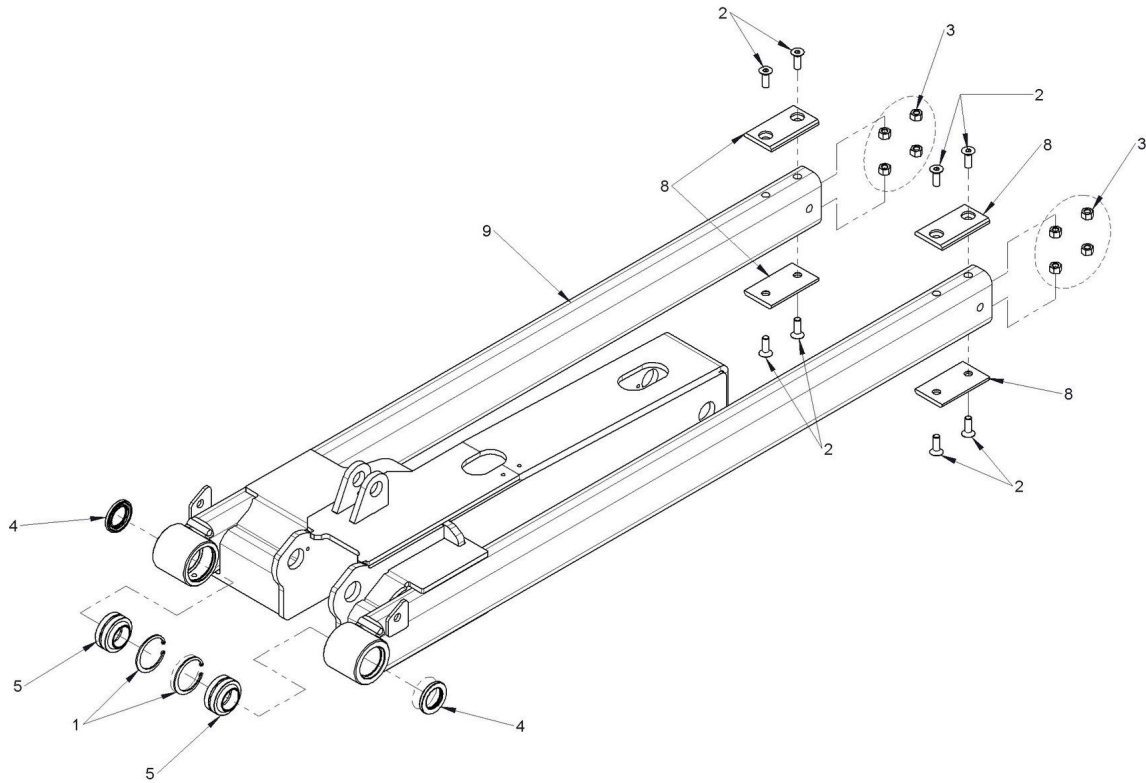
Component list [TAV. 03 ONEDRIVE VALVE]

Pos.	Code	Description	Q.ty
1	C020237	UNI EN ISO 4762 M10x140 HEX SOCKET HEAD CAP SCREW	8.00000
2	C023051	GROWER WASHER FOR M10 UNI 1751A	8.00000
3	C030877	ONEDRIVE VALVE, C3	1.00000
4	C033001	MALE-MALE CONNECTOR 3/8" G - 12 L	2.00000
5	C033019	MALE-MALE CONNECTOR 3/4" G - 20S	1.00000
6	C033073	MALE-MALE CONNECTOR 1/2" G - 16S	6.00000
7	C033133	MALE-MALE CONNECTOR 3/8" G - 8L	1.00000
8	C033134	MALE-MALE CONNECTOR 1/4" G - 8L	2.00000
9	C037001	MANOMETER QUICK PLUG 1/4"	3.00000



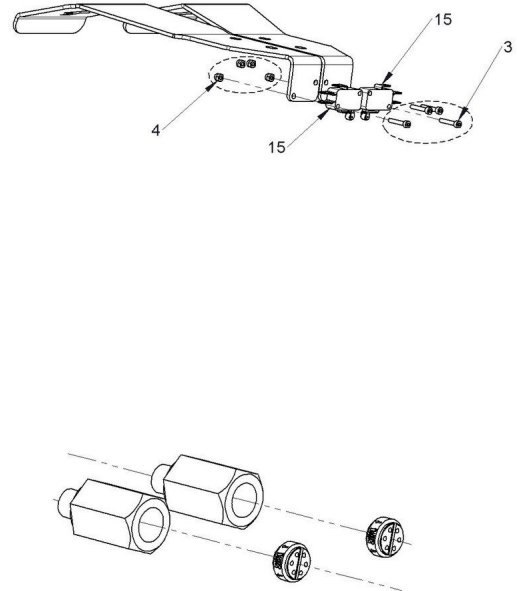
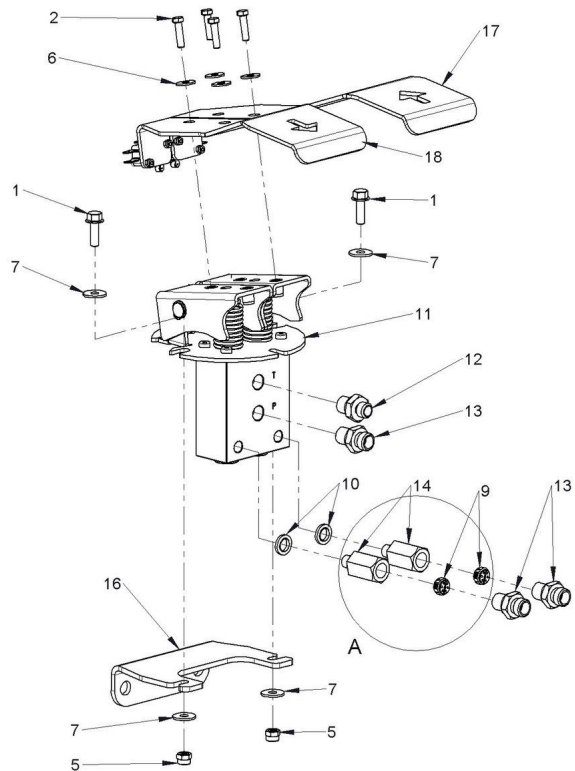
Component list [TAV. 04 BOOM FIXED PART]

Pos.	Code	Description	Q.ty
1	C018302	BORES SEEGER RING ĩ68 DIN 472	2.00000
2	C019201	DIN 6921 M8x16 FLANGED HEAD SCREW	10.00000
3	C020571	HEXAGON SOCKET SET SCREW WHIT FLAT POINT M8x10 UNI 5923	4.00000
4	C021413	SETTING HEAD 1"G	4.00000
5	C036039	CLOSED FAIRLEAD Ø19	1.00000
6	C037639	GE 40 FO 2RS RADIAL BALL JOINT	2.00000
7	C281859	SLIDING STUD M1 4->10 SERIES	4.00000
8	C282469	TELESCOPIC ARM RUBBER PROTECTION	2.00000
9	C282780	SLIDING PAD	2.00000
10	C284498	BOOM RUBBER FIXER	2.00000
11	C284499	SLIDING PAD BOOM BRACKET	2.00000
12	C285715	FIXED PART TELESCOPIC BOOM M1 11	1.00000



Component list [TAV. 05 BOOM MOBILE PART]

Pos.	Code	Description	Q.ty
1	C018302	BORES SEEGER RING ĩ68 DIN 472	2.00000
2	C020181	UNI 5933 M12x35 HEX SOCKET COUNTERSUNK CAP SCREW	8.00000
3	C021504	SLOTTED AND CASTLE HEXAGON NUTS M12 DIN980	8.00000
4	C035077	NBR SHAFT SEAL ĩ40x62x7	2.00000
5	C037639	GE 40 FO 2RS RADIAL BALL JOINT	2.00000
6	C037689	SIBO BUSHING 50x40x50	2.00000
7	C281713	COUPLING PLATE ROD	1.00000
8	C282779	SLIDING PAD 9-10	4.00000
9	C285710	TELESCOPIC BOOM MOBILE PART M1 11	1.00000



PLEASE NOTE
 VALVES ARE MOUNTED RIGHT IF CAN YOU SEE 6 HOLES.
 IF YOU SEE SEEGER RINGS, VALVES ARE MOUNTED IN WRONG WAY

Component list [TAV. 06 PEDALS]

Pos.	Code	Description	Q.ty
1	C019212	DIN 6921 M6x20 FLANGED HEAD SCREW	2.00000
2	C020038	ISO 4017 M5x20 SCREW	4.00000
3	C020279	UNI EN ISO 4762 M3x18 HEX SOCKET HEAD CAP SCREW	4.00000
4	C021101	UNI 7473 SELF-LOCKING NUT M3	4.00000
5	C021104	UNI 7473 SELF-LOCKING NUT M6	2.00000
6	C023098	UNI 6593 LARGE WASHER M5 - 5,5x15x1,5	4.00000
7	C023110	UNI 6593 LARGE WASHER M6 - 6,5x18x1,5	4.00000
8	C028270	THREAD INSERT M8	2.00000
9	C030529	FLOW CONTROL VALVES	2.00000
10	C030549	1/8" G BONDED WASHER	2.00000
11	C030729	TWIN PEDAL CONTROL BLOCK W/OUT PEDAL	1.00000
12	C033007	MALE-MALE CONNECTOR 1/4" G - 6L	3.00000
13	C033134	MALE-MALE CONNECTOR 1/4" G - 8L	1.00000
14	C033184	F1/4"- M1/8" ADAPTER	2.00000
15	C034020	MICROSWITCH	2.00000
16	C281766	PEDAL CONTROL BLOCK SUPPORT	1.00000
17	C281767	FORWARD PEDAL	1.00000

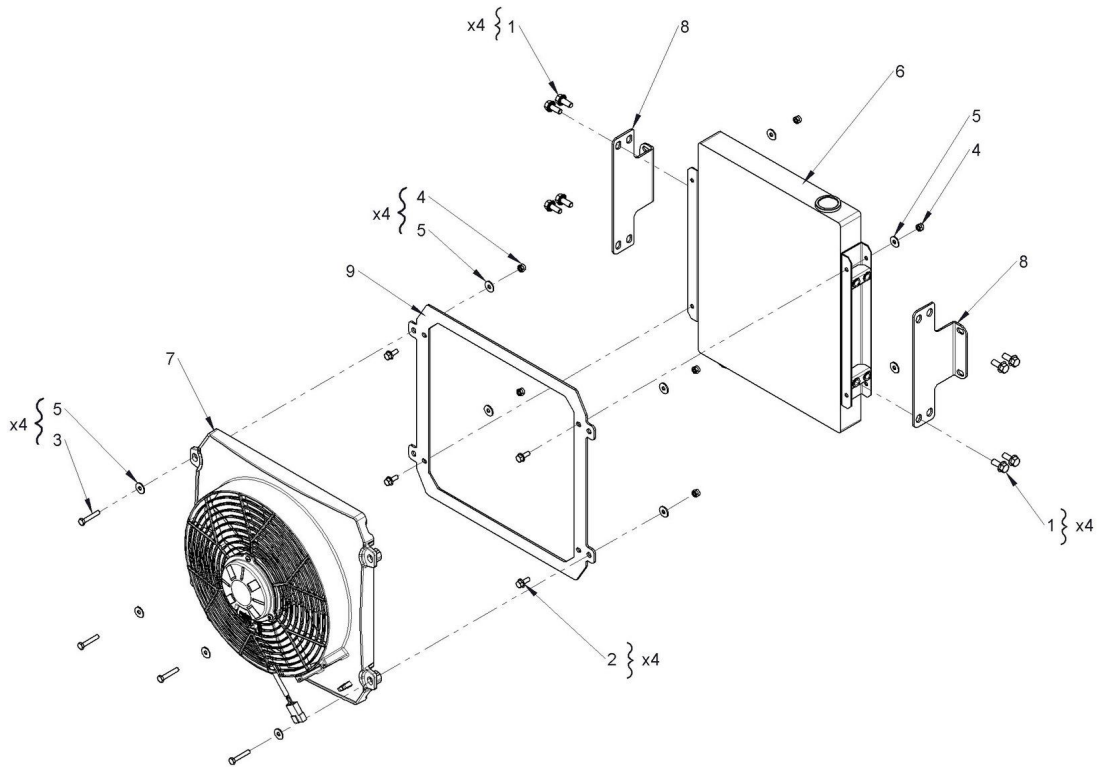


Draft and part list report
Serial n / code M354995 / C968100
Description MULTIONE 11.6K STAGE 5

18 C281768

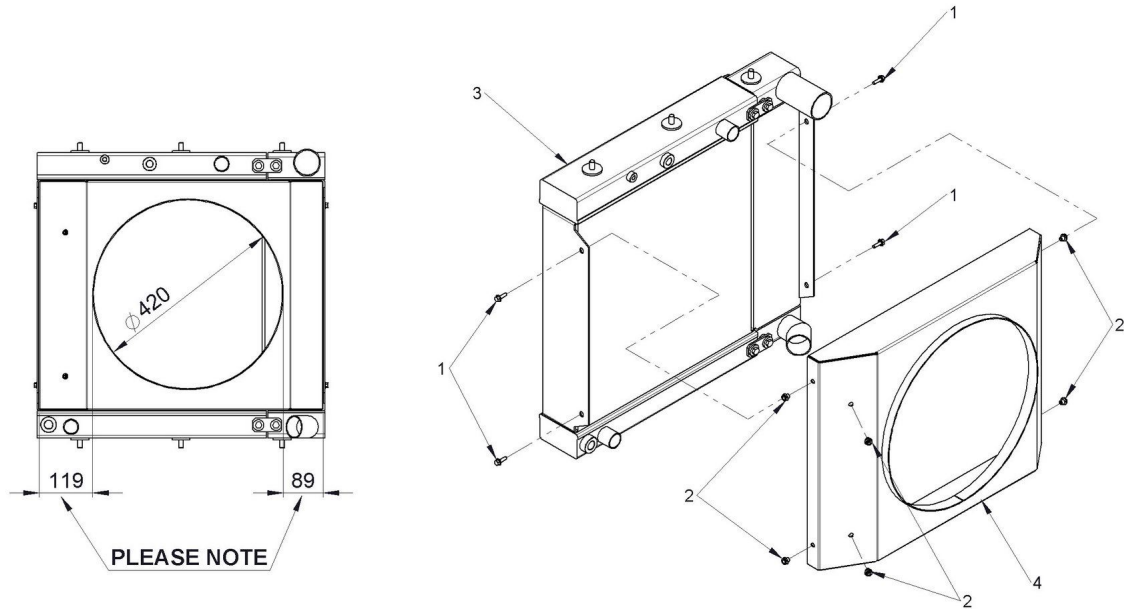
BACKWARDS PEDAL

1.00000



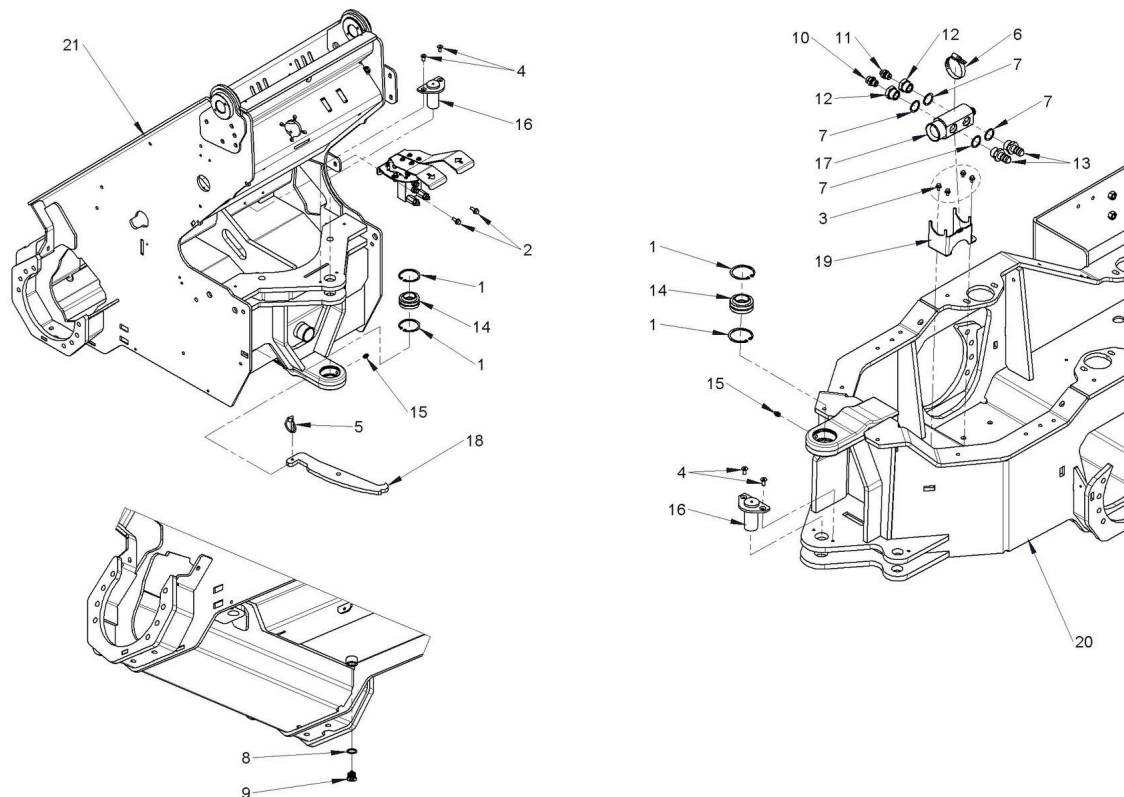
Component list [TAV. 07 OIL COOLER]

Pos.	Code	Description	Q.ty
1	C019202	DIN 6921 M8x20 FLANGED HEAD SCREW	8.00000
2	C019211	DIN 6921 M6x16 FLANGED HEAD SCREW	4.00000
3	C020054	HEXAGON HEAD SCREW M6x35 ZB UNI 4017	4.00000
4	C021104	UNI 7473 SELF-LOCKING NUT M6	8.00000
5	C023110	UNI 6593 LARGE WASHER M6 - 6,5x18x1,5	12.00000
6	C030588	OIL COOLER FOR MULTIONE S/SL800 SERIES	1.00000
7	C034002	SUCTION ELETTRIC FAN Ø305	1.00000
8	C272049	BRACKET OIL COOLER	2.00000
9	C272050	ELETTROFAN SUPPORT	1.00000



Component list [TAV. 08 ENGINE COOLER]

Pos.	Code	Description	Q.ty
1	C019212	DIN 6921 M6x20 FLANGED HEAD SCREW	4.00000
2	C028294	THREAD INSERT M6	6.00000
3	C030629	10.9 KOHLER RADIATOR	1.00000
4	C285821	ENGINE COOLER AIR CONVEYOR	1.00000



Component list [TAV. 09 ARTICULATION]

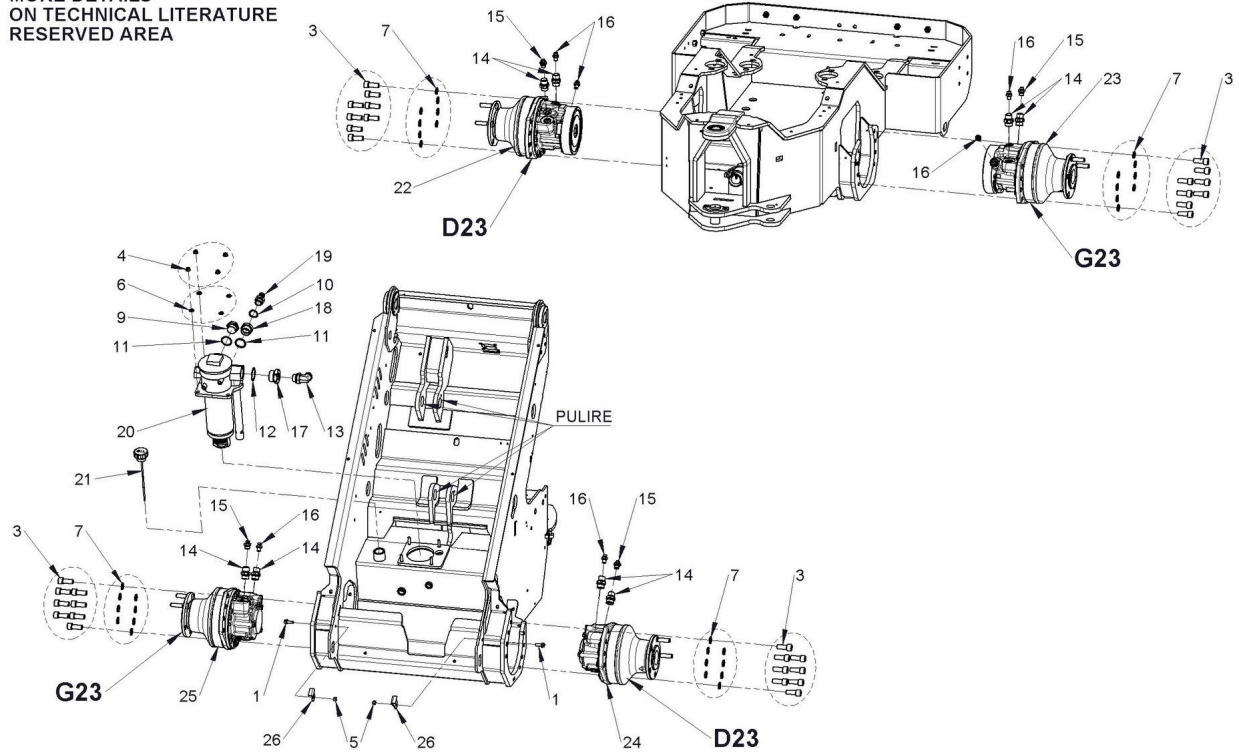
Pos.	Code	Description	Q.ty
1	C018310	BORES SEEGER RING $\varnothing 62$ DIN 472	4.00000
2	C019202	DIN 6921 M8x20 FLANGED HEAD SCREW	2.00000
3	C019210	DIN 6921 M6x10 FLANGED HEAD SCREW	4.00000
4	C020227	UNI 5933 M8x18 HEX SOCKET COUNTERSUNK CAP SCREW	4.00000
5	C028201	CLICK PIN $\varnothing 6$ mm	1.00000
6	C029034	STAINLESS STEEL CLAMP 60-80 BELT 12	1.00000
7	C030534	COPPER WASHER 3/4" GAS	4.00000
8	C030535	COPPER WASHER 1/2" GAS	1.00000
9	C030610	MAGNETIC MALE PLUG 1/2" G	1.00000
10	C033001	MALE-MALE CONNECTOR 3/8" G - 12 L	1.00000
11	C033133	MALE-MALE CONNECTOR 3/8" G - 8L	1.00000
12	C033162	COUPLING REDUCING M 3/4" G - F 3/8" G	2.00000
13	C033300	STRAIGHT HOSE CONNECTOR 3/4" G F - 3/4" HOSE	2.00000
14	C037637	GE 35 FO 2RS RADIAL BALL JOINT	2.00000
15	C090030	GREASER NIPPLE M10x1 UNI 7663A	2.00000
16	C230166	FLANGED PIN $\varnothing 35$ L=73	2.00000
17	C261111/L	SUCTION OIL COLLECTOR	1.00000



Draft and part list report
Serial n / code M354995 / C968100
Description MULTIONE 11.6K STAGE 5

18	C281782	ARTICULATION LOCK	1.00000
19	C282776	COLLECTOR OIL SUCTION SUPPORT	1.00000
20	C285750	M1 11 REAR FRAME	1.00000
21	C285770	FRONT FRAME M1 11	1.00000

ABOUT WHEEL MOTORS,
 MORE DETAILS
 ON TECHNICAL LITERATURE
 RESERVED AREA



Component list [TAV. 10 WHEEL MOTORS]

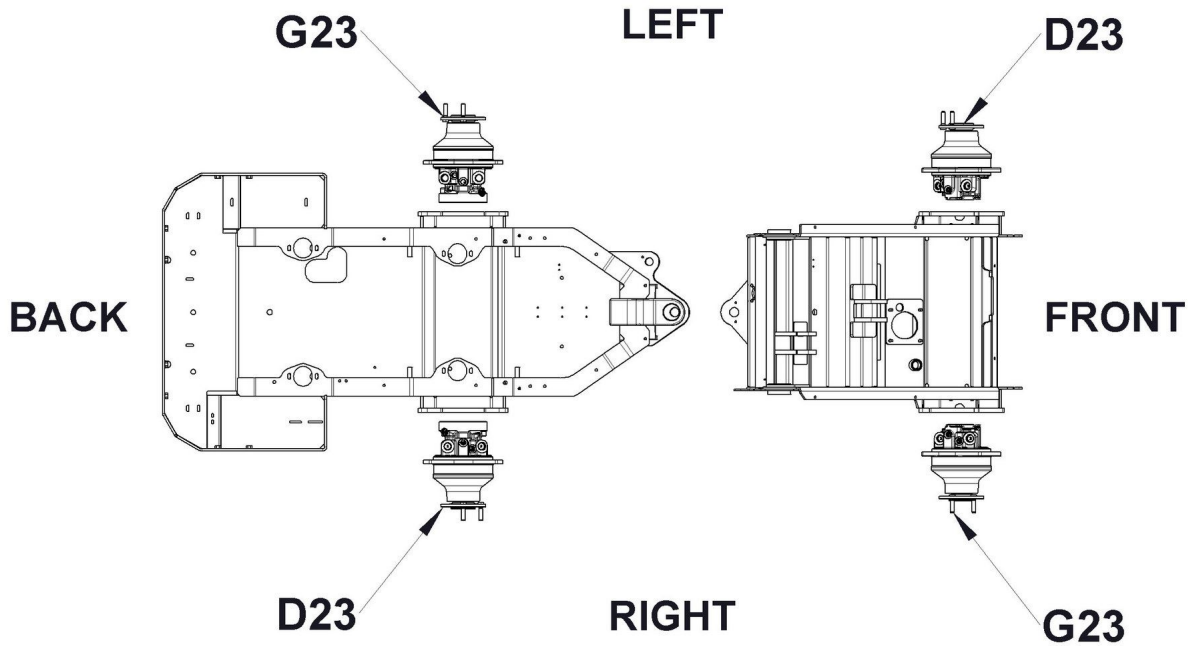
Pos.	Code	Description	Q.ty
1	C019203	DIN 6921 M8x25 FLANGED HEAD SCREW	2.00000
2	C019212	DIN 6921 M6x20 FLANGED HEAD SCREW	2.00000
3	C020294	UNI EN ISO 4762 M16x40 HEX SOCKET HEAD CAP SCREW	32.00000
4	C021011	ISO 4161 M8 HEX NUT W/SERRATE FLANGE	4.00000
5	C021502	SLOTTED AND CASTLE HEXAGON NUTS M8 DIN980	2.00000
6	C023041	M8 NORD LOCK WASHER	4.00000
7	C023045	M16 NORD LOCK WASHER	32.00000
8	C028291	THREAD INSERT M6	2.00000
9	C030390	MALE PLUG G 1" ISO 228	1.00000
10	C030534	COPPER WASHER 3/4" GAS	1.00000
11	C030537	1" COPPER WASHER	2.00000
12	C030539	G 1" 1/4 COPPER WASHER	1.00000
13	C033095	90° ELBOW MALE 3/4" G - MALE 22L	1.00000
14	C033104	MALE-MALE CONNECTOR 3/4" G - 16S	8.00000
15	C033133	MALE-MALE CONNECTOR 3/8" G - 8L	4.00000
16	C033134	MALE-MALE CONNECTOR 1/4" G - 8L	6.00000
17	C033141	COUPLING REDUCING M 1" 1/4 G - F 3/4 G	1.00000



Draft and part list report
Serial n / code M354995 / C968100
Description MULTIONE 11.6K STAGE 5

18	C033142	COUPLING REDUCING M 1" G - F 3/4 G	1.00000
19	C033300	STRAIGHT HOSE CONNECTOR 3/4" G F - 3/4" HOSE	1.00000
20	C036638	M1 9, 10 OIL FILTER ASSY	1.00000
21	C038748	1" G PRESSURIZED LEVEL CUP 0.1 bar	1.00000
22	C038844	MSE05 2 WHEEL MOTOR WITH BRAKE, RIGHT	1.00000
23	C038845	MSE05 2 WHEEL MOTOR WITH BRAKE, LEFT	1.00000
24	C038846	MSE05 2 WHEEL MOTOR, RIGHT	1.00000
25	C038847	MSE05 2 WHEEL MOTOR, LEFT	1.00000
26	C277807	BOOM STOPPER ON FRONT FRAME	2.00000
27	C286524	CARTER FOR BACK 8.5 - 11	1.00000

PLEASE NOTE:
 THE FRONT RIGHT AND LEFT WHEEL MOTORS ARE REVERSED
 THE MOTOR WITH THE PLATE WHERE IS REPORTED THE CODE G23 ON IT IS MOUNTED ON THE RIGHT
 THE MOTOR WITH THE PLATE WHERE IS REPORTED THE CODE D23 ON IT IS MOUNTED ON THE LEFT
 AS SHOWN ON THE SCHEME BELOW



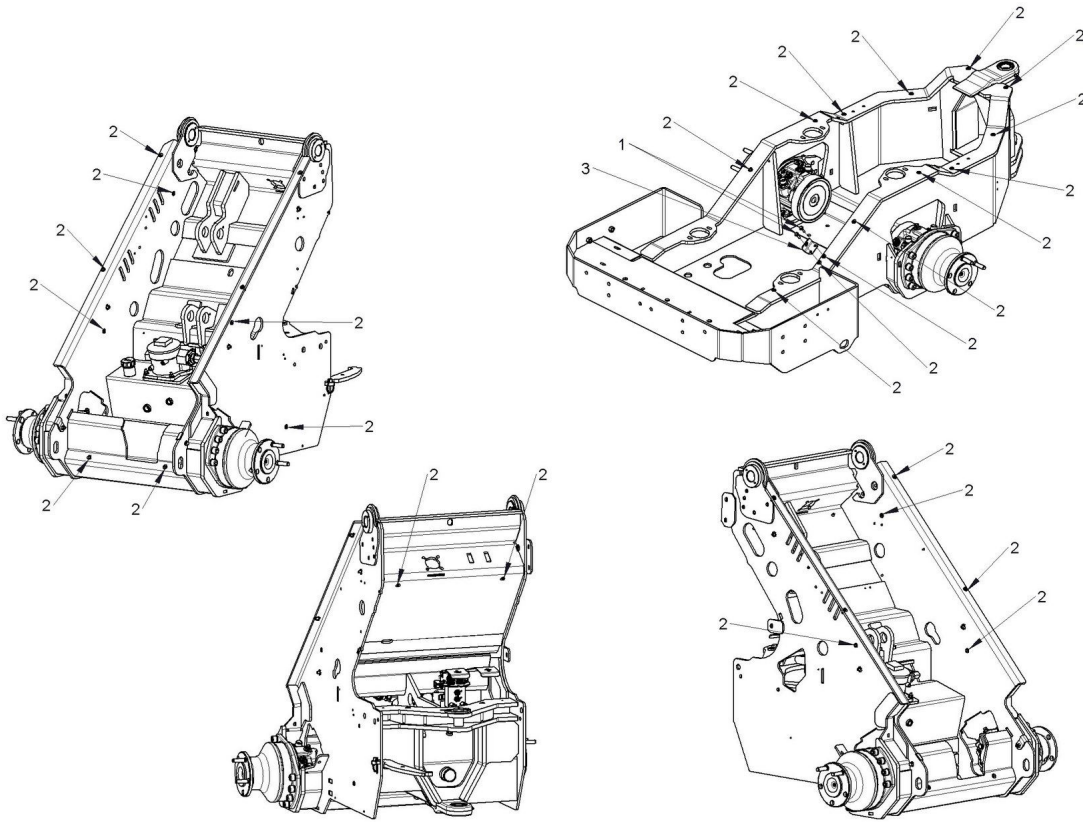
Component list [TAV. 11 WHEEL MOTORS]

Pos.	Code	Description	Q.ty
1	C019203	DIN 6921 M8x25 FLANGED HEAD SCREW	2.00000
2	C020294	UNI EN ISO 4762 M16x40 HEX SOCKET HEAD CAP SCREW	16.00000
3	C021011	ISO 4161 M8 HEX NUT W/SERRATE FLANGE	4.00000
4	C021502	SLOTTED AND CASTLE HEXAGON NUTS M8 DIN980	2.00000
5	C023041	M8 NORD LOCK WASHER	4.00000
6	C023045	M16 NORD LOCK WASHER	16.00000
7	C030390	MALE PLUG G 1" ISO 228	1.00000
8	C030534	COPPER WASHER 3/4" GAS	1.00000
9	C030537	1" COPPER WASHER	2.00000
10	C030539	G 1" 1/4 COPPER WASHER	1.00000
11	C033095	90° ELBOW MALE 3/4" G - MALE 22L	1.00000
12	C033104	MALE-MALE CONNECTOR 3/4" G - 16S	4.00000
13	C033133	MALE-MALE CONNECTOR 3/8" G - 8L	2.00000
14	C033134	MALE-MALE CONNECTOR 1/4" G - 8L	2.00000
15	C033141	COUPLING REDUCING M 1" 1/4 G - F 3/4 G	1.00000
16	C033142	COUPLING REDUCING M 1" G - F 3/4 G	1.00000
17	C033300	STRAIGHT HOSE CONNECTOR 3/4" G F - 3/4" HOSE	1.00000



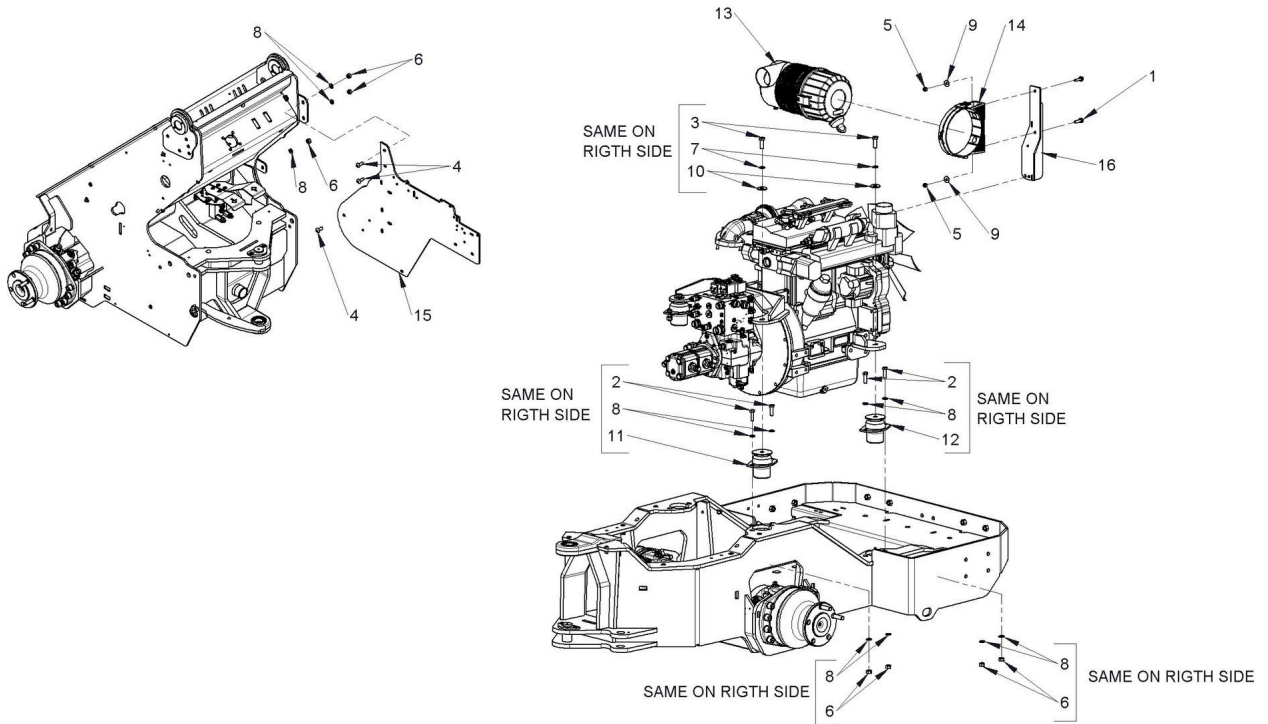
Draft and part list report
Serial n / code M354995 / C968100
Description MULTIONE 11.6K STAGE 5

18	C036638	M1 9, 10 OIL FILTER ASSY	1.00000
19	C038748	1" G PRESSURIZED LEVEL CUP 0.1 bar	1.00000
20	C038846	MSE05 2 WHEEL MOTOR, RIGHT	1.00000
21	C038847	MSE05 2 WHEEL MOTOR, LEFT	1.00000
22	C277807	BOOM STOPPER ON FRONT FRAME	2.00000



Component list [TAV. 12 THREAD INSERT]

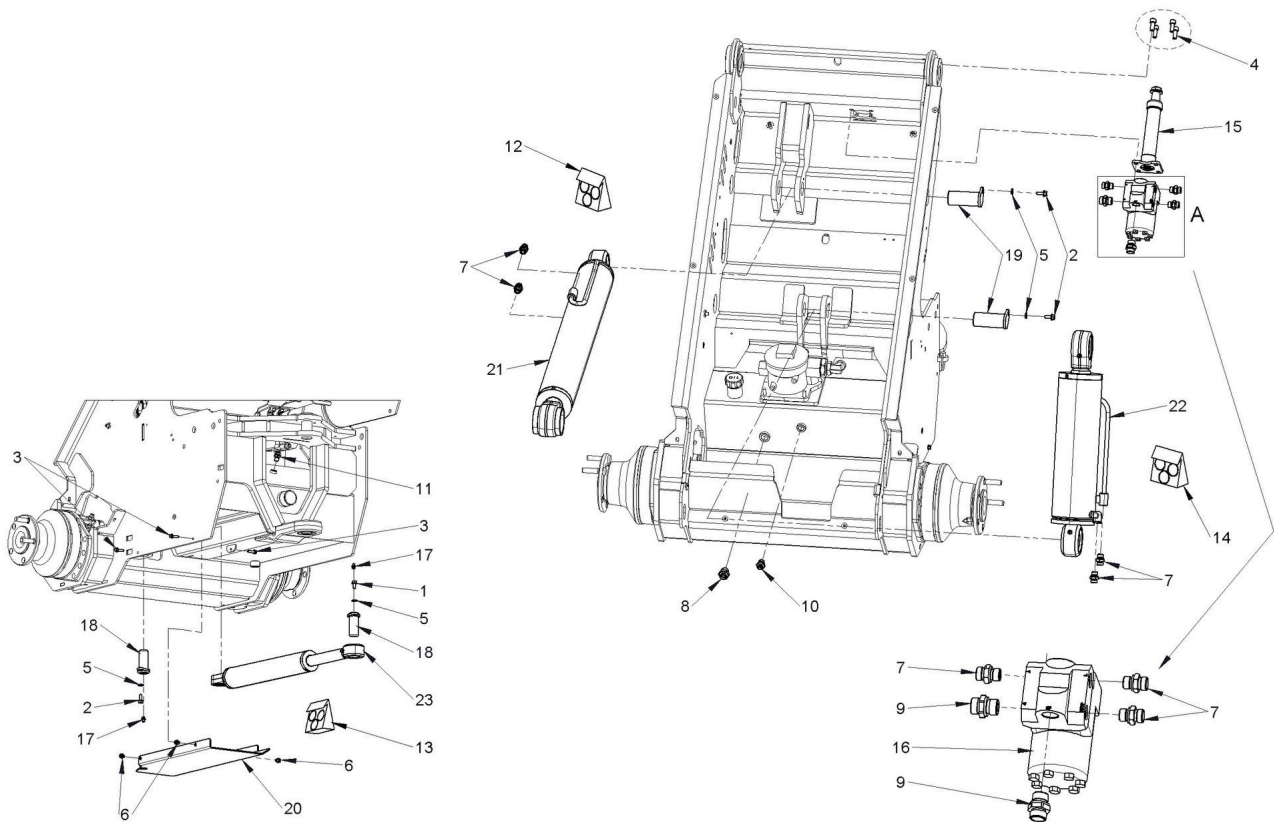
Pos.	Code	Description	Q.ty
1	C019213	DIN 6921 M6x25 FLANGED HEAD SCREW	2.00000
2	C028288	THREAD INSERT M6	28.00000
3	C284483	SLIDING PAD BOOM BRACKET	1.00000



PLEASE NOTE
FRONT SILENT BLOCKS ARE DIFFERENT
FROM BACK SILENT BLOCKS

Component list [TAV. 13 ENGINE FIXING]

Pos.	Code	Description	Q.ty
1	C019204	DIN 6921 M8x30 FLANGED HEAD SCREW	2.00000
2	C020103	HEXAGON HEAD SCREW M10x35 ISO 4017	8.00000
3	C020133	HEXAGON HEAD BOLT 10.9 M12x35 ISO 4017	4.00000
4	C020550	ISO 7380 M10x25 HEX SOCKET OVAL HEAD SCREW	3.00000
5	C021502	SLOTTED AND CASTLE HEXAGON NUTS M8 DIN980	2.00000
6	C021503	SLOTTED AND CASTLE HEXAGON NUTS M10 DIN980	11.00000
7	C023043	M12 NORD LOCK WASHER	4.00000
8	C023080	UNI 6592 FLAT WASHER M10 - 10,5x20x2	19.00000
9	C023100	UNI 6593 LARGE WASHER M8 - 8,5x24x2	2.00000
10	C023105	UNI 6593 LARGE WASHER M12 - 13x37x3	4.00000
11	C037410	HYDRAULIC DUMPER 40SH	2.00000
12	C037411	HYDRAULIC DAMPER 60SH	2.00000
13	C039078	7 INCH AIR FILTER BODY	1.00000
14	C039144	7 INCH AIR FILTER FAST CLAMP	1.00000
15	C281746	HYDRAULIC VALVES SIDE SUPPORT	1.00000
16	C285088	7" AIR FILTER SUPPORT	1.00000



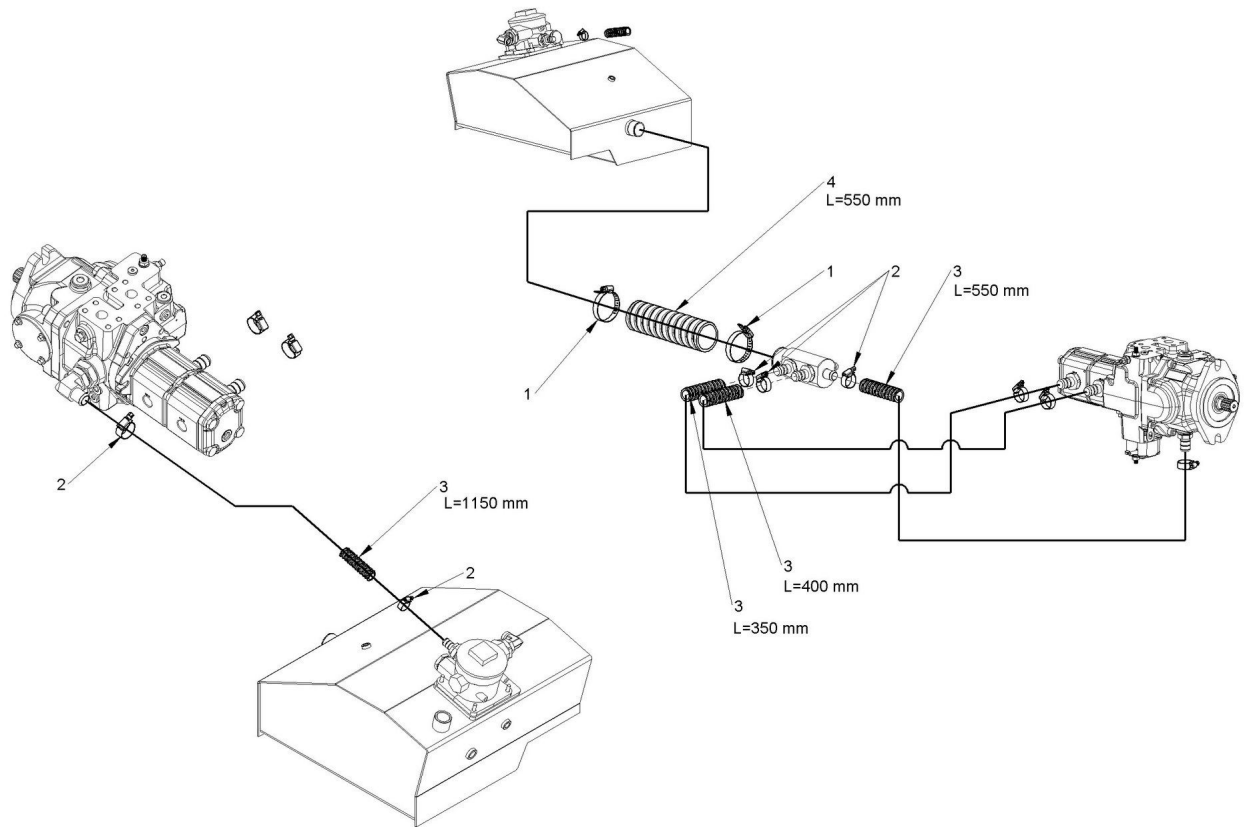
Component list [TAV. 14 CYLINDER AND POWER STEERING]

Pos.	Code	Description	Q.ty
1	C019201	DIN 6921 M8x16 FLANGED HEAD SCREW	1.00000
2	C019202	DIN 6921 M8x20 FLANGED HEAD SCREW	3.00000
3	C019213	DIN 6921 M6x25 FLANGED HEAD SCREW	3.00000
4	C020219	UNI EN ISO 4762 M10x25 HEX SOCKET HEAD CAP SCREW	4.00000
5	C023041	M8 NORD LOCK WASHER	4.00000
6	C028271	THREAD INSERT M6	3.00000
7	C033001	MALE-MALE CONNECTOR 3/8" G - 12 L	7.00000
8	C033002	MALE-MALE CONNECTOR 1/2" G - 12L	1.00000
9	C033003	MALE-MALE CONNECTOR 1/2" G - 15L	2.00000
10	C033133	MALE-MALE CONNECTOR 3/8" G - 8L	1.00000
11	C033134	MALE-MALE CONNECTOR 1/4" G - 8L	1.00000
12	C036853	BORE 90 ROD 50 CYLINDER SEAL KIT	1.00000
13	C036855	SEAL KIT FO C285798 CYLINDER	1.00000
14	C036856	BORE 110 ROD 55 CYLINDER SEAL KIT	1.00000
15	C038508	STEERING COLUMN 200 MM	1.00000
16	C038512	STEERING UNIT 125CC	1.00000
17	C090030	GREASER NIPPLE M10x1 UNI 7663A	2.00000



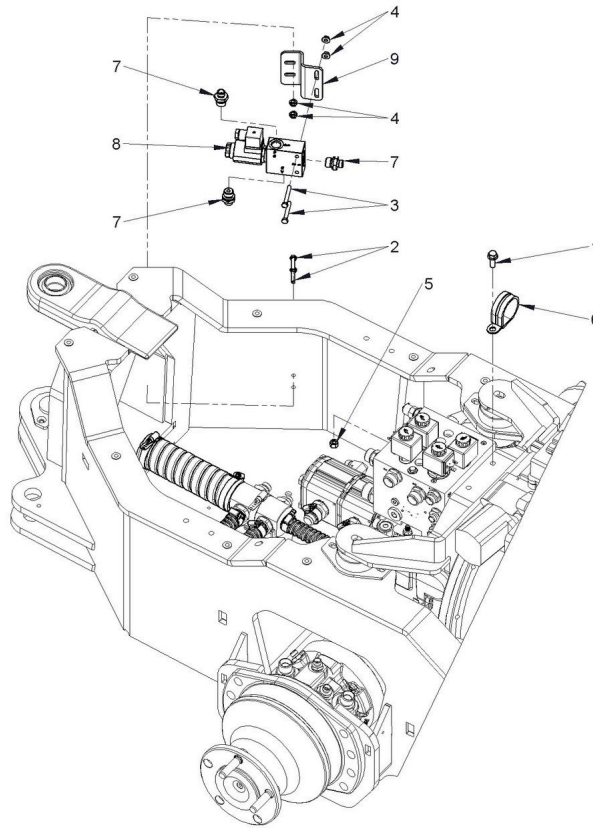
Draft and part list report
Serial n / code M354995 / C968100
Description MULTIONE 11.6K STAGE 5

18	C230164	FLANGED PIN Ø30 L=66	2.00000
19	C281765	FLANGED PIN Ø40 L=90	2.00000
20	C285785	POWER STERRING CYLINDER PROTECTION M1 11	1.00000
21	C285795	11 SERIES LIFTING BOOM CYLINDER	1.00000
22	C285796	11 SERIES SLAVE CYLINDER	1.00000
23	C285798	11 SERIES STEERING CYLINDER	1.00000



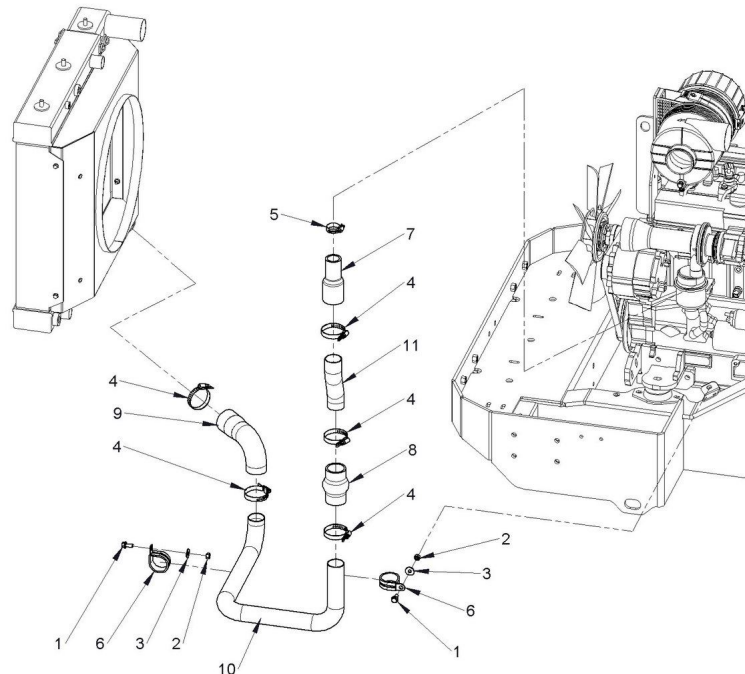
Component list [TAV. 15 OIL HOSES]

Pos.	Code	Description	Q.ty
1	C029045	CLAMP 12MM INOX 56-59	2.00000
2	C029046	STAINLESS STEEL CLAMP 20-32 BELT 12	8.00000
3	C030102	OIL SUCTION HOSE Ø19x28	4.00000
4	C030103	SUCTION OIL PIPE 15x61	1.00000



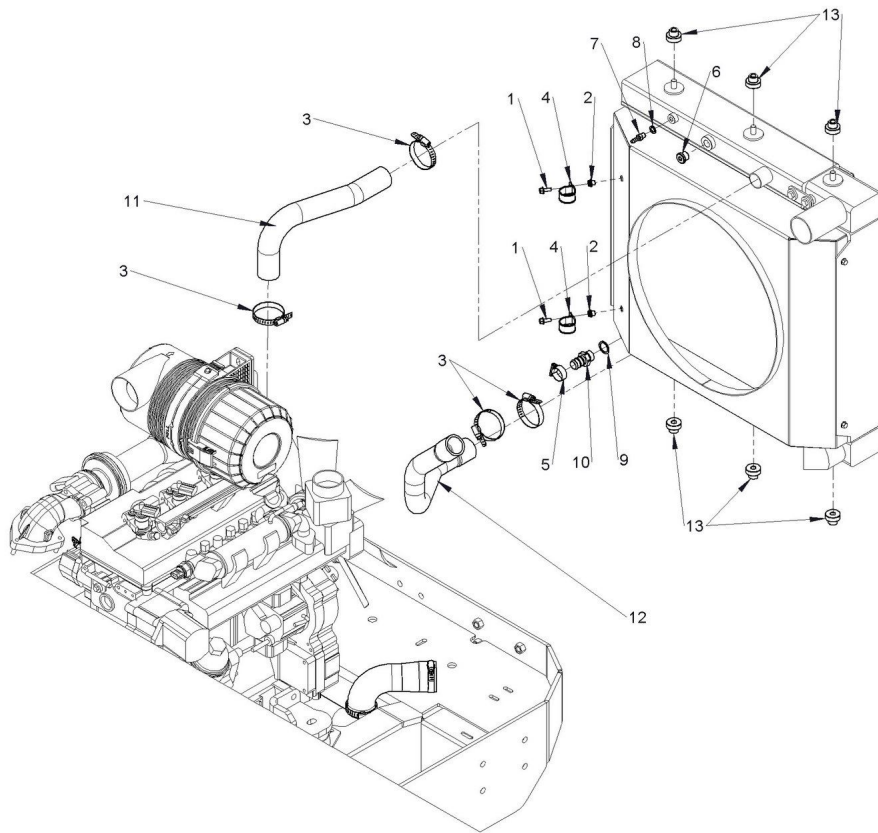
Component list [TAV. 16 SPEED CHANGE]

Pos.	Code	Description	Q.ty
1	C019203	DIN 6921 M8x25 FLANGED HEAD SCREW	1.00000
2	C020053	UNI 5739 M6x30 HEX HEAD SCREW	2.00000
3	C020056	ISO 4017 M6x45 SCREW	2.00000
4	C021018	M6 SERPRESS SLOTTED HEX NUT	4.00000
5	C021502	SLOTTED AND CASTLE HEXAGON NUTS M8 DIN980	1.00000
6	C029041	Ø45 STAINLESS STEEL CLAMP W/RUBBER	1.00000
7	C033133	MALE-MALE CONNECTOR 3/8" G - 8L	3.00000
8	C036621	ELECTROVALVE 3 WAY 3/8 G COIL 12V DC	1.00000
9	C281656	OIL SUCTION MANIFOLD / DOUBLE SPEEDD VALVE SUPPORT	1.00000



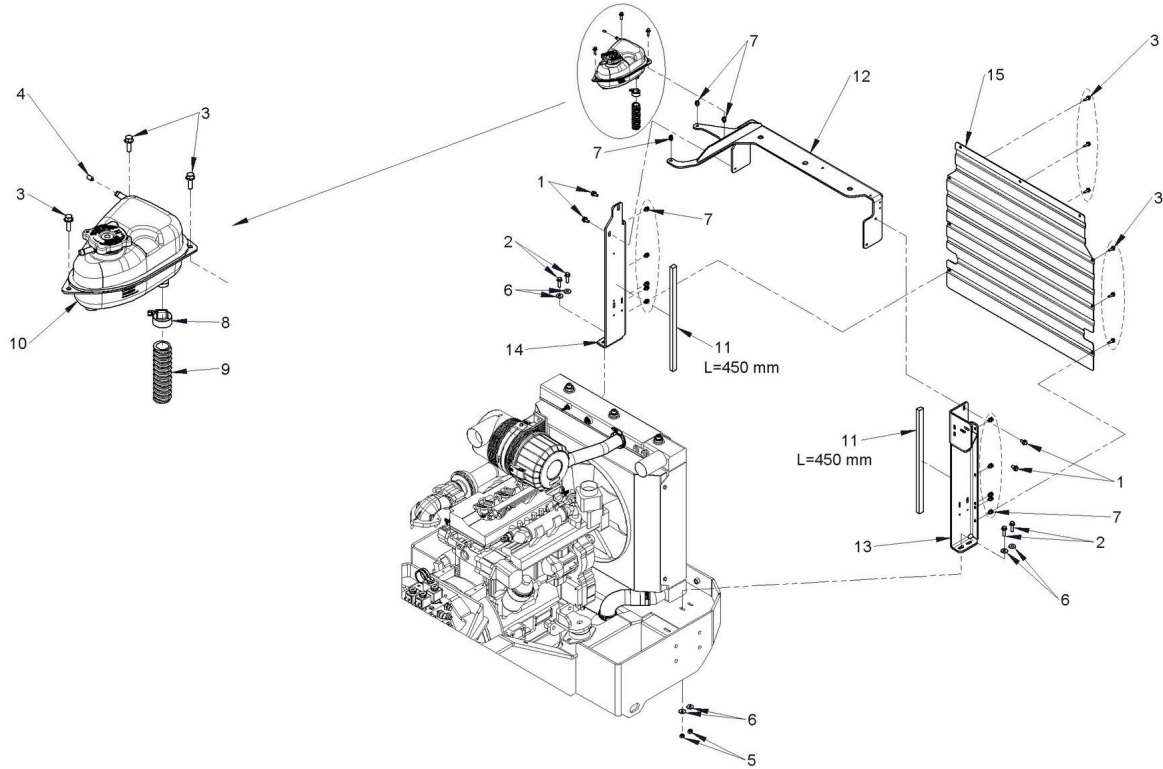
Component list [TAV. 17 COMPRESSED AIR PIPES]

Pos.	Code	Description	Q.ty
1	C019202	DIN 6921 M8x20 FLANGED HEAD SCREW	2.00000
2	C021502	SLOTTED AND CASTLE HEXAGON NUTS M8 DIN980	2.00000
3	C023100	UNI 6593 LARGE WASHER M8 - 8,5x24x2	2.00000
4	C029031	STAINLESS STEEL CLAMP 40-60 BELT 12	5.00000
5	C029032	STAINLESS STEEL CLAMP 30-45 BELT 12	1.00000
6	C029041	Ø45 STAINLESS STEEL CLAMP W/RUBBER	2.00000
7	C036025	TURBO TO INTERCOOLER PIPE	1.00000
8	C036048	TURBO TO INTERCOOLER PIPE	1.00000
9	C036049	TURBO TO INTERCOOLER PIPE	1.00000
10	C036050	İ50 PIPE COMPRESSOR-INTERCOOLER	1.00000
11	C036052	İ50 PIPE COMPRESSOR-INTERCOOLER	1.00000



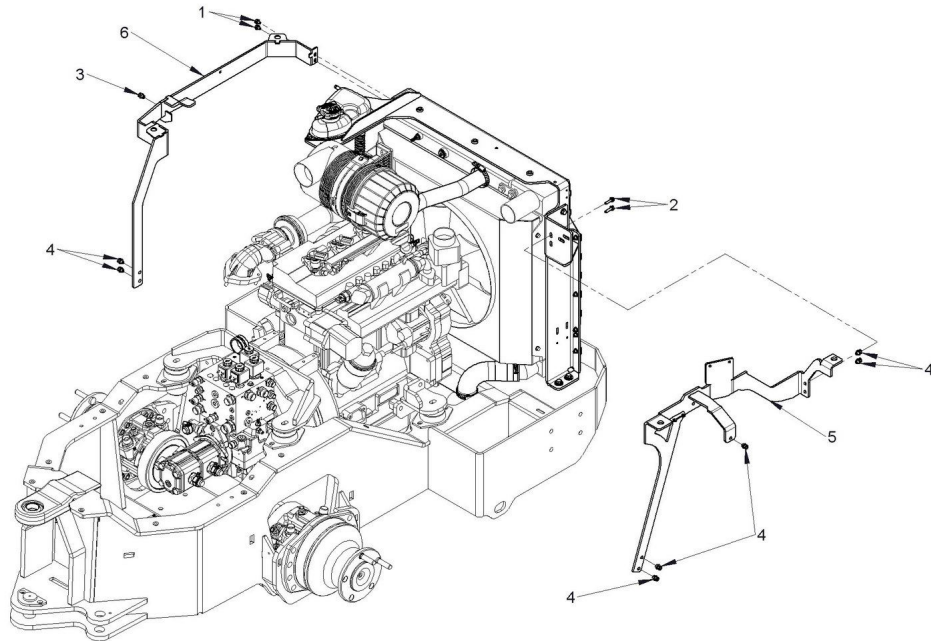
Component list [TAV. 18 ENGINE COOLER]

Pos.	Code	Description	Q.ty
1	C019211	DIN 6921 M6x16 FLANGED HEAD SCREW	2.00000
2	C028294	THREAD INSERT M6	2.00000
3	C029031	STAINLESS STEEL CLAMP 40-60 BELT 12	4.00000
4	C029033	HOSE CLAMP WITH RUBBER Ø30	2.00000
5	C029046	STAINLESS STEEL CLAMP 20-32 BELT 12	1.00000
6	C030381	MALE PLUG 3/8" G	1.00000
7	C030407	OUTLET CONNECTOR M 1/8" G FOR PIPE 7x12	1.00000
8	C030530	1/8" COPPER VASHER	1.00000
9	C030535	COPPER WASHER 1/2" GAS	1.00000
10	C033301	STRAIGHT HOSE FITTING 1/2" G - 3/4" HOSE	1.00000
11	C035169	UPPER ENGINE COOLER PIPE, KOHLER	1.00000
12	C035170	LOWER ENGINE COOLER PIPE, KOHLER	1.00000
13	C036017	ENGINE COOLER DAMPING PAD	6.00000



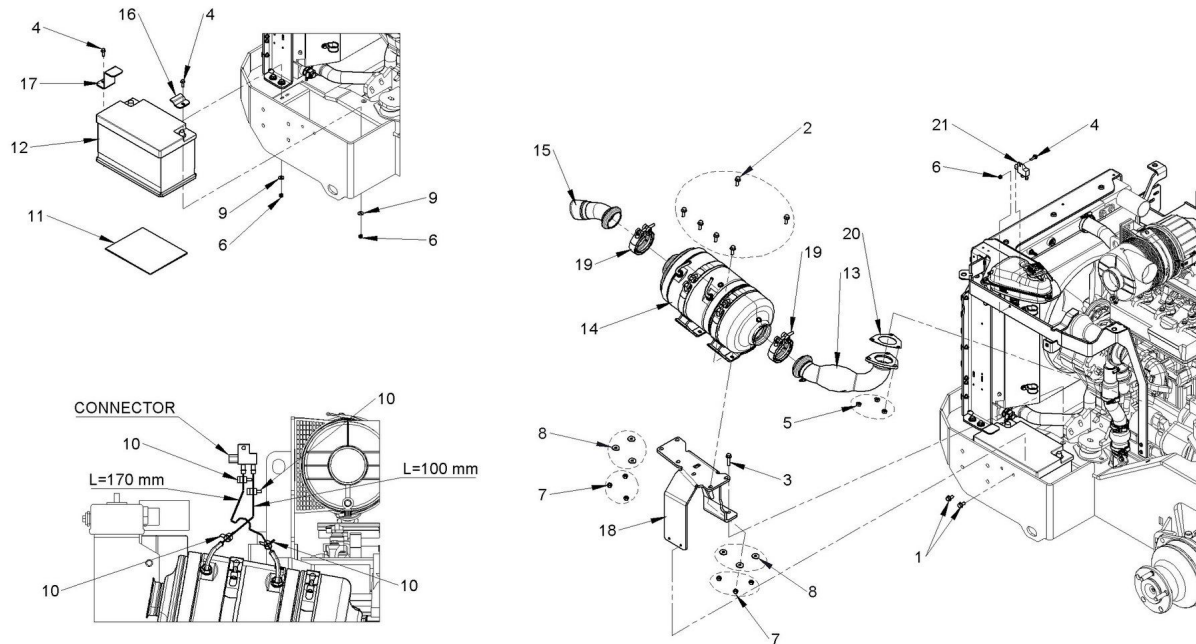
Component list [TAV. 19 ENGINE COOLER FRAME]

Pos.	Code	Description	Q.ty
1	C019201	DIN 6921 M8x16 FLANGED HEAD SCREW	4.00000
2	C019204	DIN 6921 M8x30 FLANGED HEAD SCREW	4.00000
3	C019212	DIN 6921 M6x20 FLANGED HEAD SCREW	9.00000
4	C020572	M6x10 HEX SOCKET SCREW W/FLAT POINT AND 0,8 HOLE	1.00000
5	C021502	SLOTTED AND CASTLE HEXAGON NUTS M8 DIN980	4.00000
6	C023100	UNI 6593 LARGE WASHER M8 - 8,5x24x2	8.00000
7	C028291	THREAD INSERT M6	13.00000
8	C029046	STAINLESS STEEL CLAMP 20-32 BELT 12	1.00000
9	C030102	OIL SUCTION HOSE Ø19x28	4.00000
10	C034152	COOLANT EXPANSION TANK	1.00000
11	C035040	BLACK MOUSSE 20x15	2.00000
12	C282498	UPPER RADIATOR BRACKET	1.00000
13	C282500	LEFT UPRIGHT ENGINE RADIATOR	1.00000
14	C282501	RIGHT UPRIGHT ENGINE RADIATOR	1.00000
15	C282592	M1 9-10 RADIATOR NET	1.00000



Component list [TAV. 20 REAR SIDE SUPPORTS]

Pos.	Code	Description	Q.ty
1	C019210	DIN 6921 M6x10 FLANGED HEAD SCREW	2.00000
2	C019213	DIN 6921 M6x25 FLANGED HEAD SCREW	2.00000
3	C028271	THREAD INSERT M6	1.00000
4	C028291	THREAD INSERT M6	7.00000
5	C285930	ASSIEME MONTANTE SX PORTA PLAST. M1 9-10 REV.01	1.00000
6	C285934	ASSIEME MONTANTE DX PORTA PLAST M1 9-10-11 REV.02	1.00000



Component list [TAV. 21 BATTERY AND MUFFLER]

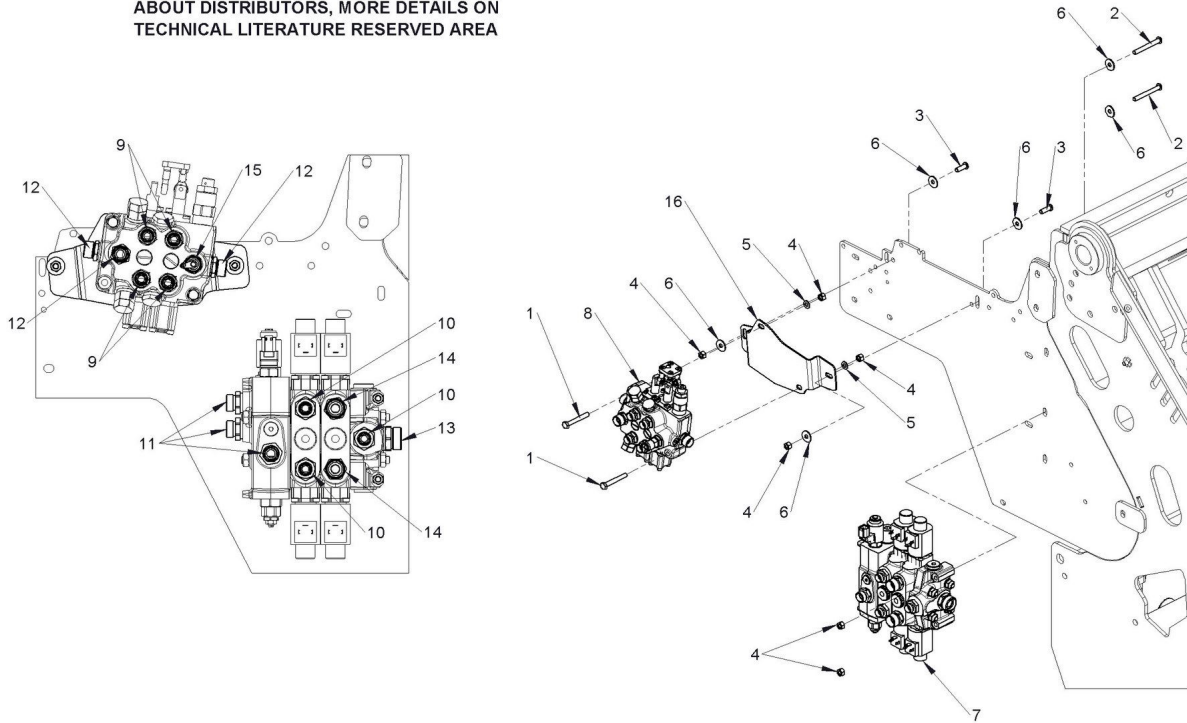
Pos.	Code	Description	Q.ty
1	C019201	DIN 6921 M8x16 FLANGED HEAD SCREW	2.00000
2	C019203	DIN 6921 M8x25 FLANGED HEAD SCREW	6.00000
3	C019205	DIN 6921 M8x35 FLANGED HEAD SCREW	1.00000
4	C019212	DIN 6921 M6x20 FLANGED HEAD SCREW	3.00000
5	C021011	ISO 4161 M8 HEX NUT W/SERRATE FLANGE	3.00000
6	C021104	UNI 7473 SELF-LOCKING NUT M6	3.00000
7	C021502	SLOTTED AND CASTLE HEXAGON NUTS M8 DIN980	6.00000
8	C023100	UNI 6593 LARGE WASHER M8 - 8,5x24x2	6.00000
9	C023110	UNI 6593 LARGE WASHER M6 - 6,5x18x1,5	2.00000
10	C029036	SPRING CLAMP 12-14	4.00000
11	C029253	SILENT BLOCK RUBBER PANNEL 210x175x3	1.00000
12	C036411	BATTERY 12V 100 AH	1.00000
13	C039223	M1 9.6 KOHLER MUFFLER	1.00000
14	C039234	KOHLER STAGE5 DOC+DPF	1.00000
15	C039235	M1 9.6-11.6 KOHLER MUFFLER	1.00000
16	C277108	BATTERY BRACKET	1.00000
17	C282598	BATTERY BRACKET	1.00000



Draft and part list report
Serial n / code M354995 / C968100
Description MULTIONE 11.6K STAGE 5

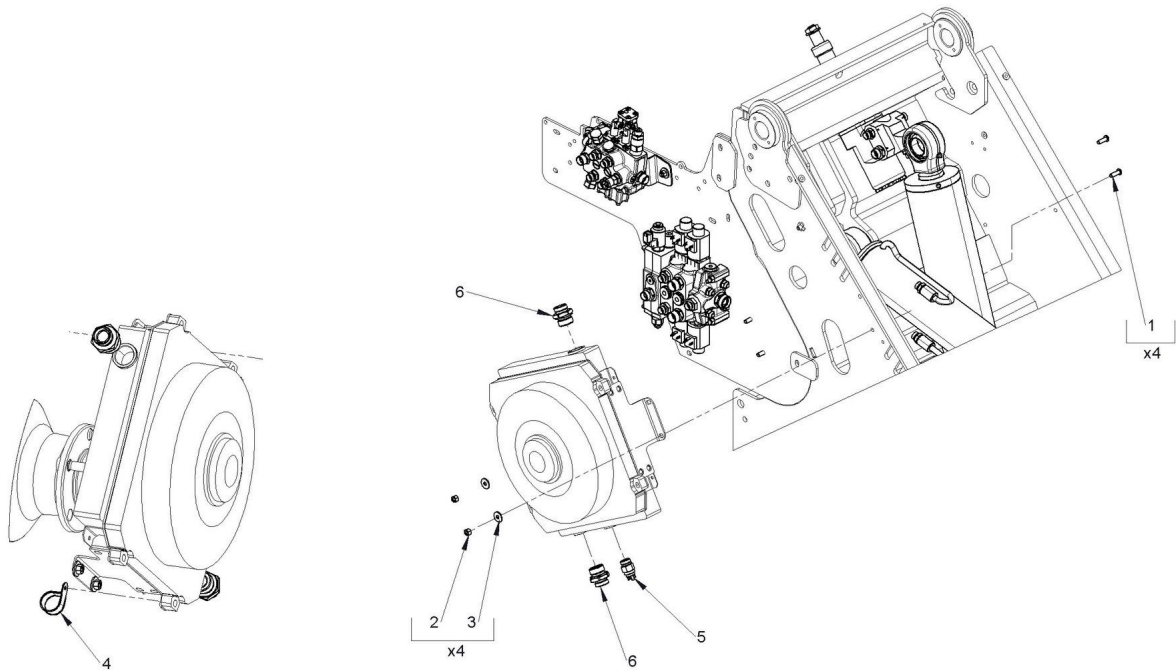
18	C285868	DOC AND DPF SUPPORT FOR 9.6 ST5 11.6 ST5	1.00000
19	FF186/ED0036302760	DPF CLAMP	2.00000
20	FF186/ED0044201410-S	STAGE5 KOHLER MUFFLER GASKET	1.00000
21	FF186/ED0080891850-S	DPF PRESSURE SENSOR	1.00000

ABOUT DISTRIBUTORS, MORE DETAILS ON
 TECHNICAL LITERATURE RESERVED AREA



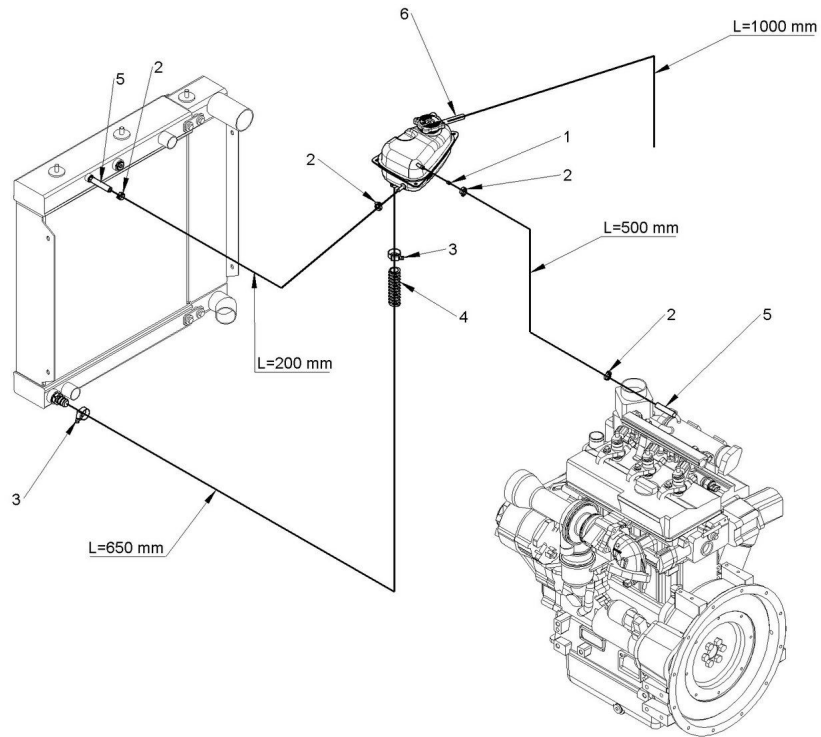
Component list [TAV. 22 DISTRIBUTORS]

Pos.	Code	Description	Q.ty
1	C020080	HEXAGON HEAD SCREW M8x60 UNI 5739	2.00000
2	C020539	ISO 7380 M8x70 HEX SOCKET OVAL HEAD SCREW	2.00000
3	C020543	ISO 7380 M8x25 HEX SOCKET OVAL HEAD SCREW	2.00000
4	C021502	SLOTTED AND CASTLE HEXAGON NUTS M8 DIN980	6.00000
5	C023071	UNI 6592 FLAT WASHER M8 - 8,4x16x1,6	2.00000
6	C023100	UNI 6593 LARGE WASHER M8 - 8,5x24x2	6.00000
7	C030778	2 SECTION ELECTRIC HYDR DISTRIBUTOR	1.00000
8	C030779	2 SECTION HYDR DISTRIBUTOR	1.00000
9	C033001	MALE-MALE CONNECTOR 3/8" G - 12 L	4.00000
10	C033002	MALE-MALE CONNECTOR 1/2" G - 12L	3.00000
11	C033003	MALE-MALE CONNECTOR 1/2" G - 15L	3.00000
12	C033010	MALE-MALE CONNECTOR 3/8" G - 15L	3.00000
13	C033014	MALE-MALE CONNECTOR 1/2" G - 22L	1.00000
14	C033107	MALE-MALE CONNECTOR 1/2" G - 18L	2.00000
15	C037002	MANOMETER QUICK PLUG 3/8"	1.00000
16	C285830	DISTRIBUTOR SUPPORT 2ND GEN	1.00000



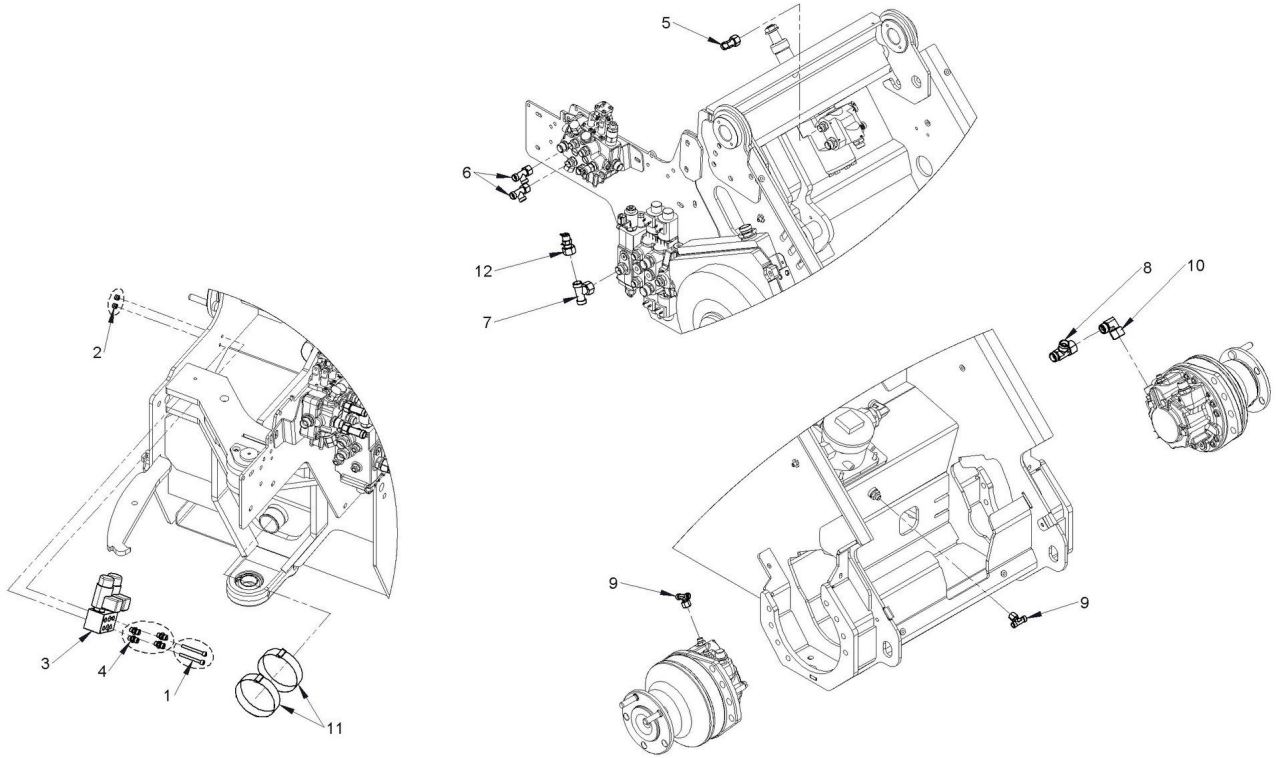
Component list [TAV. 23 OIL COOLER]

Pos.	Code	Description	Q.ty
1	C020543	ISO 7380 M8x25 HEX SOCKET OVAL HEAD SCREW	4.00000
2	C021502	SLOTTED AND CASTLE HEXAGON NUTS M8 DIN980	4.00000
3	C023100	UNI 6593 LARGE WASHER M8 - 8,5x24x2	4.00000
4	C029033	HOSE CLAMP WITH RUBBER Ø30	1.00000
5	C030606	THERMOSWITCH 50-60° M22x1,5	1.00000
6	C033137	MALE-MALE CONNECTOR 1" G - 22L	2.00000



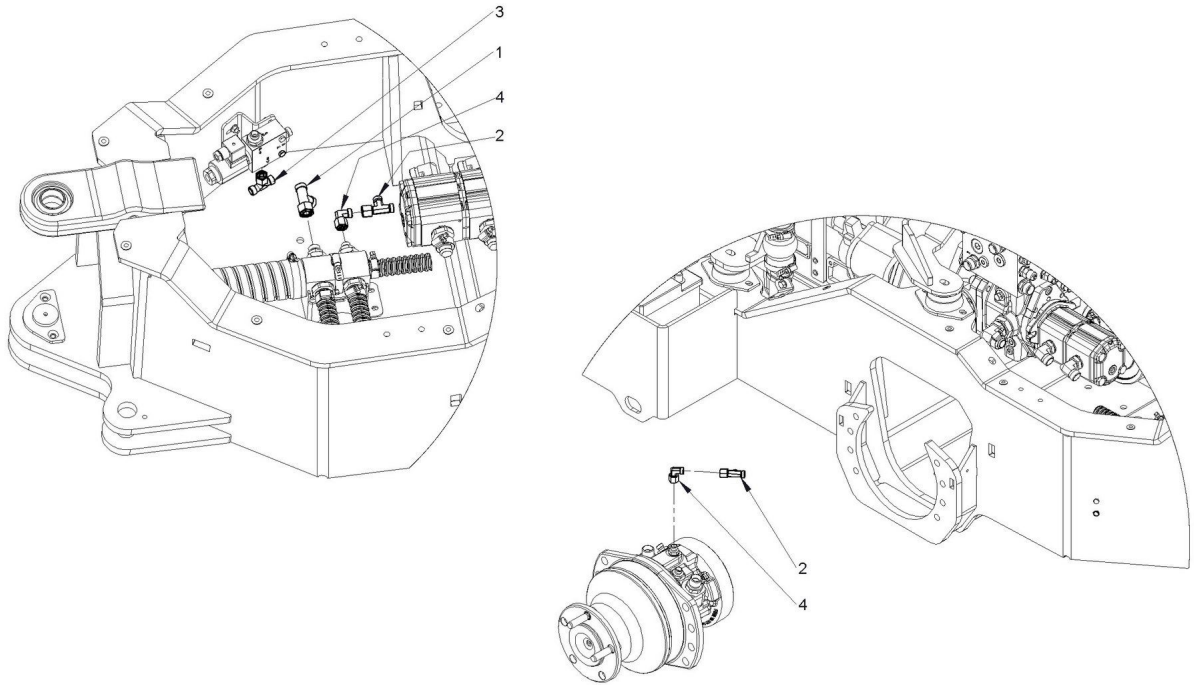
Component list [TAV. 24 EXPANSIONE TANK]

Pos.	Code	Description	Q.ty
1	C020572	M6x10 HEX SOCKET SCREW W/FLAT POINT AND 0,8 HOLE	1.00000
2	C029038	STEEL BAND 10-16	4.00000
3	C029046	STAINLESS STEEL CLAMP 20-32 BELT 12	2.00000
4	C030102	OIL SUCTION HOSE Ø19x28	1.00000
5	C035003	FUEL HOSE 7x13	2.00000
6	C035018	WATER HOSE 7x12	1.00000



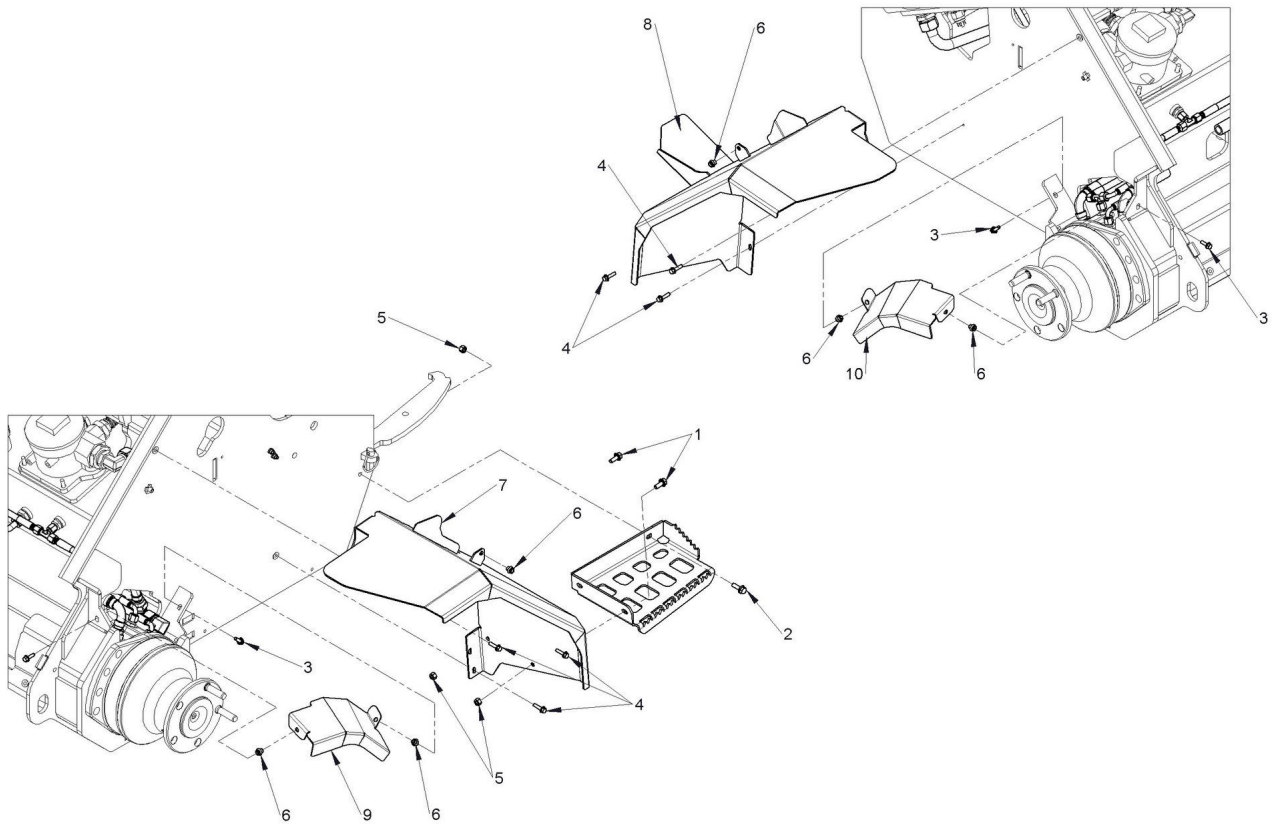
Component list [TAV. 25 FRONT FITTINGS]

Pos.	Code	Description	Q.ty
1	C020211	UNI EN ISO 4762 M6x55 HEX SOCKET HEAD CAP SCREW	2.00000
2	C021104	UNI 7473 SELF-LOCKING NUT M6	2.00000
3	C030875	CRUISE CONTROL VALVE	1.00000
4	C033008	MALE-MALE CONNECTOR 1/8" G - 6L	4.00000
5	C033024	90° ELBOW SW. F 12L - M 12L	1.00000
6	C033032	TEE FITTING SW.F-M-M 12L	2.00000
7	C033034	TEE FITTING M-SW.F-M 15L	1.00000
8	C033083	TEE FITTING SW.F-M-M 16S	1.00000
9	C033086	TEE FITTING M-SW.F-M 8L	2.00000
10	C033144	90° ELBOW SW.F 16S - M 16S	1.00000
11	C035300	80 CM BLACK BELT WITH CLAMP	2.00000
12	C037007	MANOMETER QUICK PLUG F 15L	1.00000



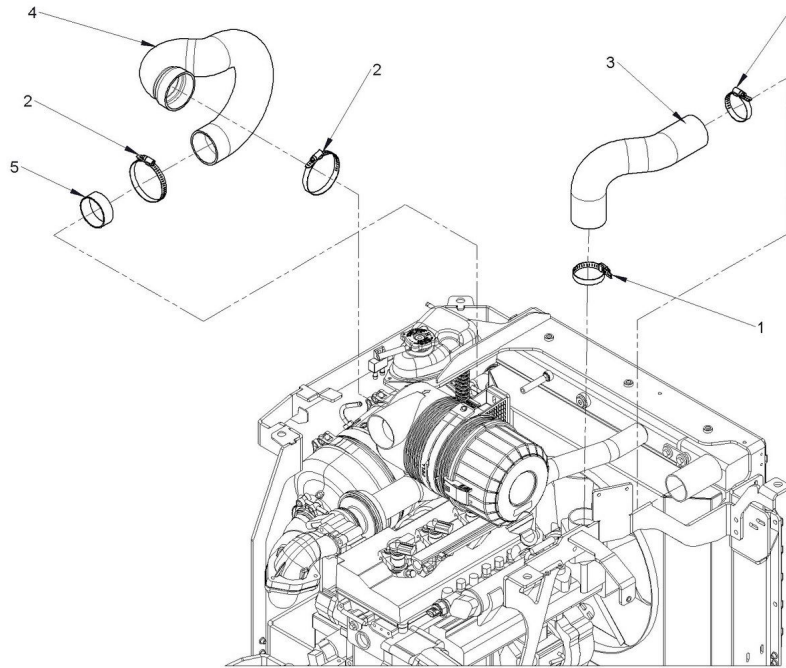
Component list [TAV. 26 REAR FITTINGS]

Pos.	Code	Description	Q.ty
1	C033032	TEE FITTING SW.F-M-M 12L	1.00000
2	C033085	TEE FITTING SW.F-M-M 8L	2.00000
3	C033086	TEE FITTING M-SW.F-M 8L	1.00000
4	C033131	90° ELBOW SW. F 8L - M 89L	2.00000



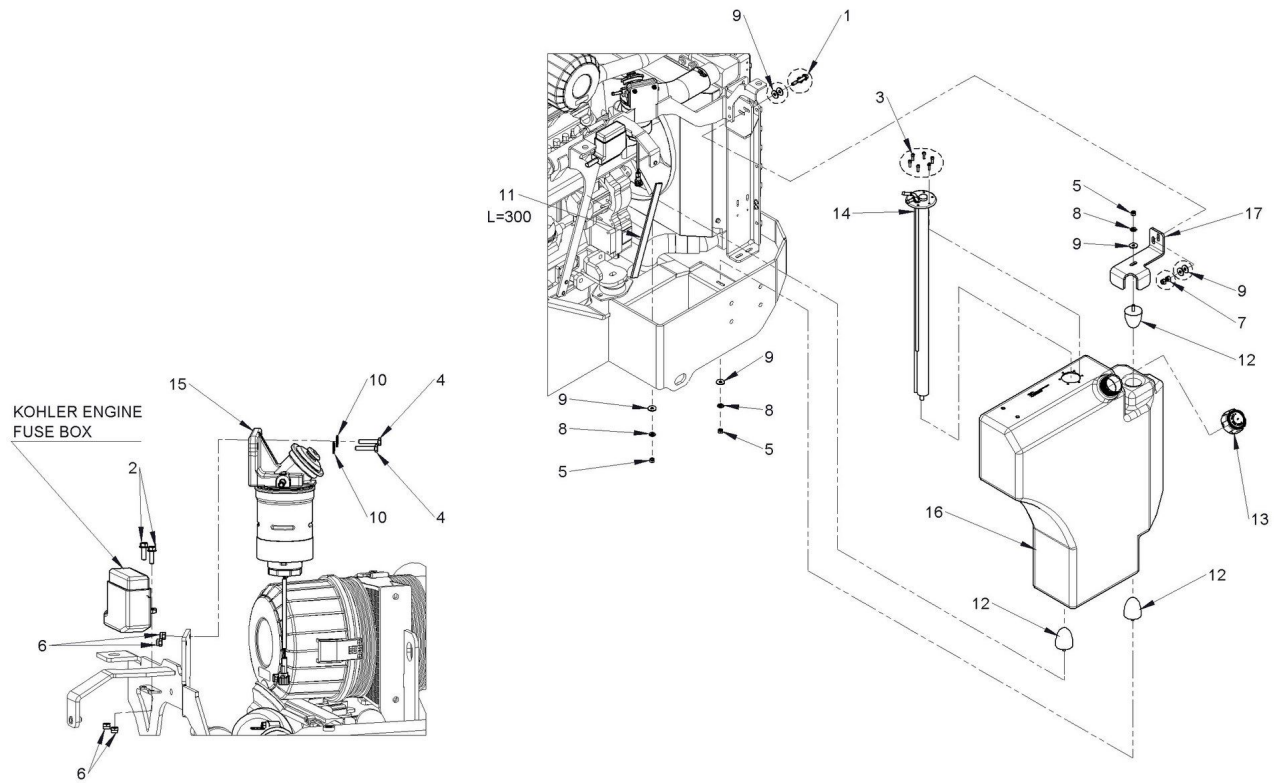
Component list [TAV. 27 FRONT MUDGUARD]

Pos.	Code	Description	Q.ty
1	C019202	DIN 6921 M8x20 FLANGED HEAD SCREW	2.00000
2	C019203	DIN 6921 M8x25 FLANGED HEAD SCREW	1.00000
3	C019212	DIN 6921 M6x20 FLANGED HEAD SCREW	4.00000
4	C019213	DIN 6921 M6x25 FLANGED HEAD SCREW	6.00000
5	C021502	SLOTTED AND CASTLE HEXAGON NUTS M8 DIN980	3.00000
6	C028271	THREAD INSERT M6	6.00000
7	C285241	FRONT LEFT MUD GUARD 9-10	1.00000
8	C285242	FRONT RIGHT MUD GUARD 9-10	1.00000
9	C285732	FRONT LEFT WHEEL MOTOR COVER M1 11	1.00000
10	C285733	FRONT RIGHT WHEEL MOTOR COVER M1 11	1.00000
11	C286505	SCALINO ACCESSO CABINA M1 11	1.00000



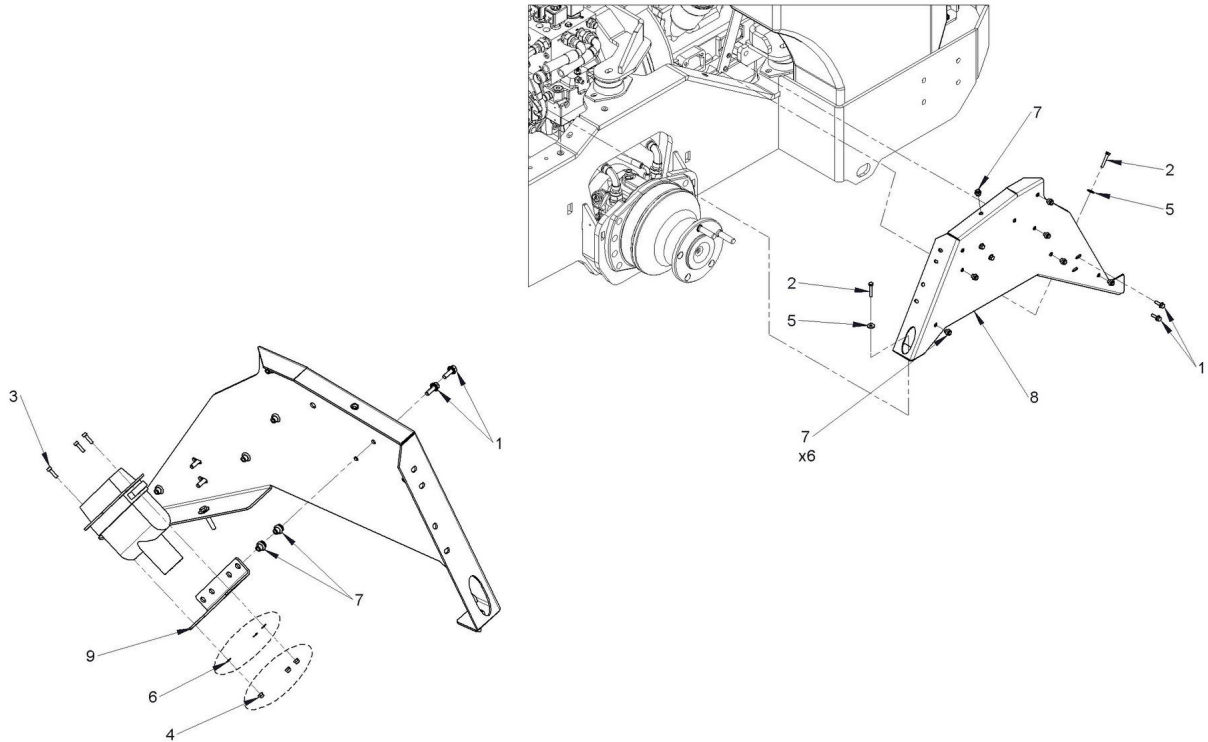
Component list [TAV. 28 AIR HOSES]

Pos.	Code	Description	Q.ty
1	C029034	STAINLESS STEEL CLAMP 60-80 BELT 12	2.00000
2	C029043	STAINLESS STEEL CLAMP 80-100 BELT 12	2.00000
3	C036023	INTERCOOLER TO ENGINE KDI PIPE	1.00000
4	C036061	AIR INTAKE RUBBER HOSE	1.00000
5	C285869	Ø68x2 REINFORCEMENT PIPE	1.00000



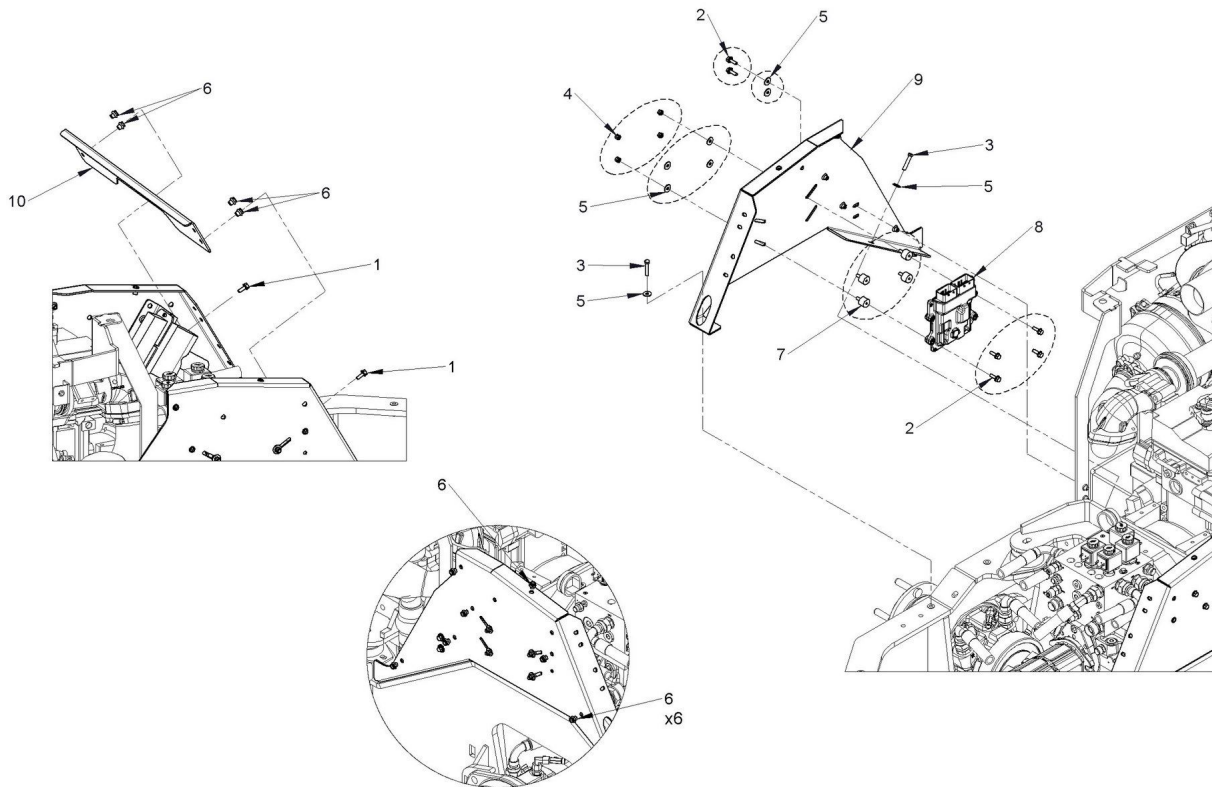
Component list [TAV. 29 FUEL TANK]

Pos.	Code	Description	Q.ty
1	C019204	DIN 6921 M8x30 FLANGED HEAD SCREW	2.00000
2	C019212	DIN 6921 M6x20 FLANGED HEAD SCREW	2.00000
3	C020036	UNI EN ISO 4762 M5X16 HEX SOCKET HEAD CAP SCREW	6.00000
4	C020053	UNI 5739 M6x30 HEX HEAD SCREW	2.00000
5	C021010	NUT E 6S M8 UNI 5588	3.00000
6	C021104	UNI 7473 SELF-LOCKING NUT M6	4.00000
7	C021502	SLOTTED AND CASTLE HEXAGON NUTS M8 DIN980	2.00000
8	C023041	M8 NORD LOCK WASHER	3.00000
9	C023100	UNI 6593 LARGE WASHER M8 - 8,5x24x2	7.00000
10	C023110	UNI 6593 LARGE WASHER M6 - 6,5x18x1,5	2.00000
11	C035000	FOAM BLACK ADHESIVE 25x5	1.00000
12	C035139	SILENT BLOCK T-50 Ø50 H=58 M8x20 MALE THREAD	3.00000
13	C038723	FUEL CUP, NO KEY	1.00000
14	C038759	M1 10 FUEL SENSOR	1.00000
15	C039185	COMPLETE FUEL FILTER	1.00000
16	C220491	50 LT FUEL TANK M1 9, 10	1.00000
17	C282491	FUEL TANK HOLDER	1.00000



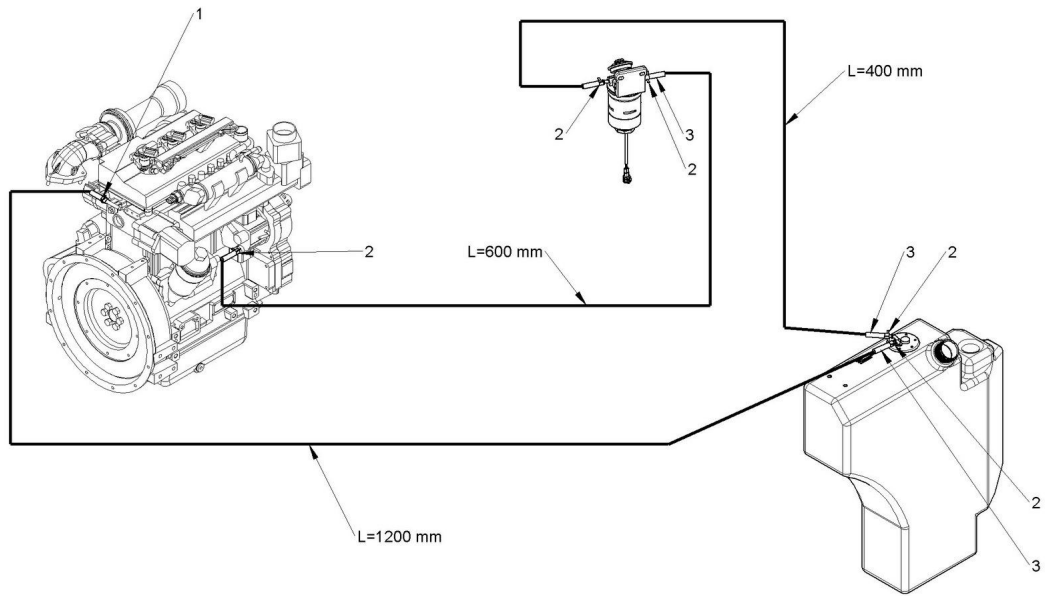
Component list [TAV. 30 REAR MUDGUARD SUPPORT]

Pos.	Code	Description	Q.ty
1	C019212	DIN 6921 M6x20 FLANGED HEAD SCREW	4.00000
2	C020054	HEXAGON HEAD SCREW M6x35 ZB UNI 4017	2.00000
3	C020283	UNI EN ISO 4762 M4x16 HEX SOCKET HEAD CAP SCREW	3.00000
4	C021103	UNI 7473 SELF-LOCKING NUT M4	3.00000
5	C023110	UNI 6593 LARGE WASHER M6 - 6,5x18x1,5	2.00000
6	C023123	UNI 6592 FLAT WASHER M4 - 4,3x9x0,8	3.00000
7	C028271	THREAD INSERT M6	9.00000
8	C282550	REAR LEFT MUDGUARD SUPPORT	1.00000
9	C285074	SUPPORTO SPINA IMPIANTO ELETTRICO KOHLER REV.01	1.00000



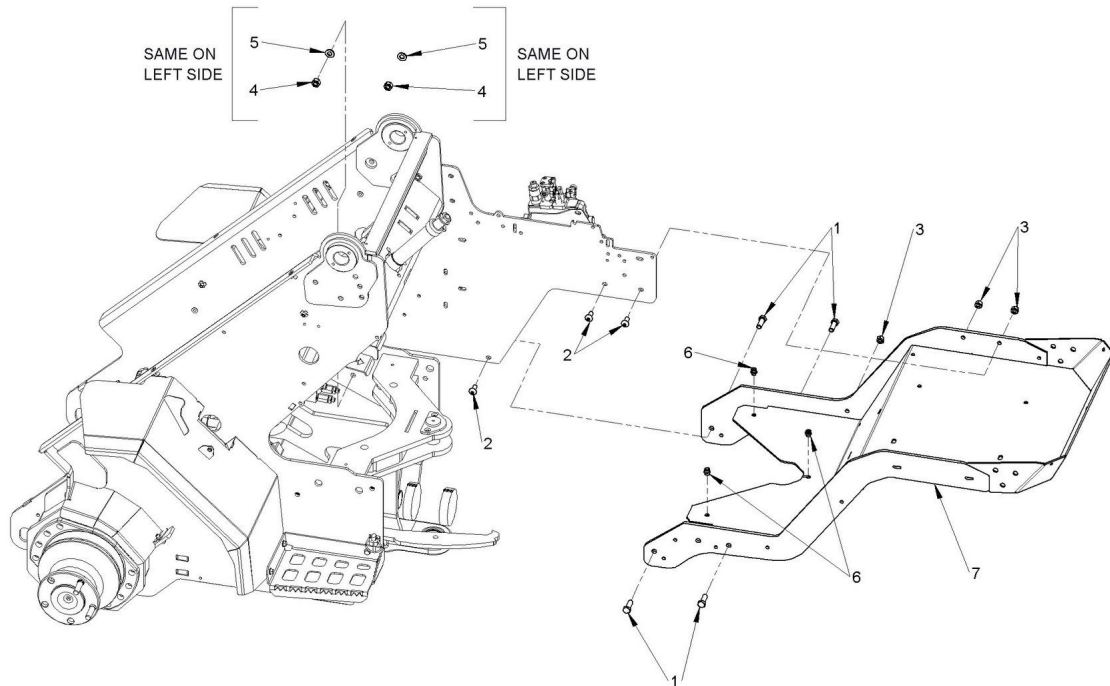
Component list [TAV. 31 ENGINE ECU]

Pos.	Code	Description	Q.ty
1	C019211	DIN 6921 M6x16 FLANGED HEAD SCREW	2.00000
2	C019212	DIN 6921 M6x20 FLANGED HEAD SCREW	6.00000
3	C020054	HEXAGON HEAD SCREW M6x35 ZB UNI 4017	2.00000
4	C021104	UNI 7473 SELF-LOCKING NUT M6	4.00000
5	C023110	UNI 6593 LARGE WASHER M6 - 6,5x18x1,5	8.00000
6	C028271	THREAD INSERT M6	11.00000
7	C035199	SILENT BLOCK DIAM. 20 H=15 MALE-FEMALE M6	4.00000
8	C039613	ECU KOHLER 42KW@2600 RPM STAGE5	1.00000
9	C282551	REAR RIGHT MUDGUARD SUPPORT	1.00000
10	C285943	PROFILO UNIONE SUPPORTI TERMOFORMATI POST. 9-10	1.00000



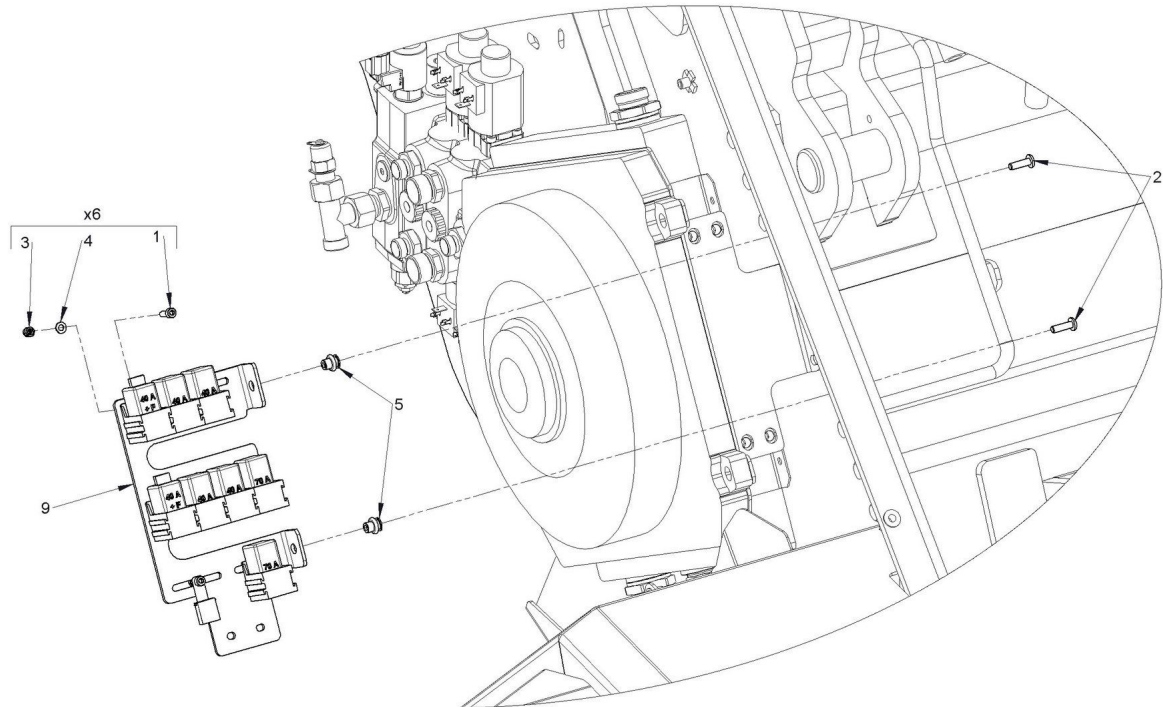
Component list [TAV. 32 FUEL HOSES]

Pos.	Code	Description	Q.ty
1	C029038	STEEL BAND 10-16	1.00000
2	C029036	SPRING CLAMP 12-14	5.00000
3	C035003	FUEL HOSE 7x13	3.00000



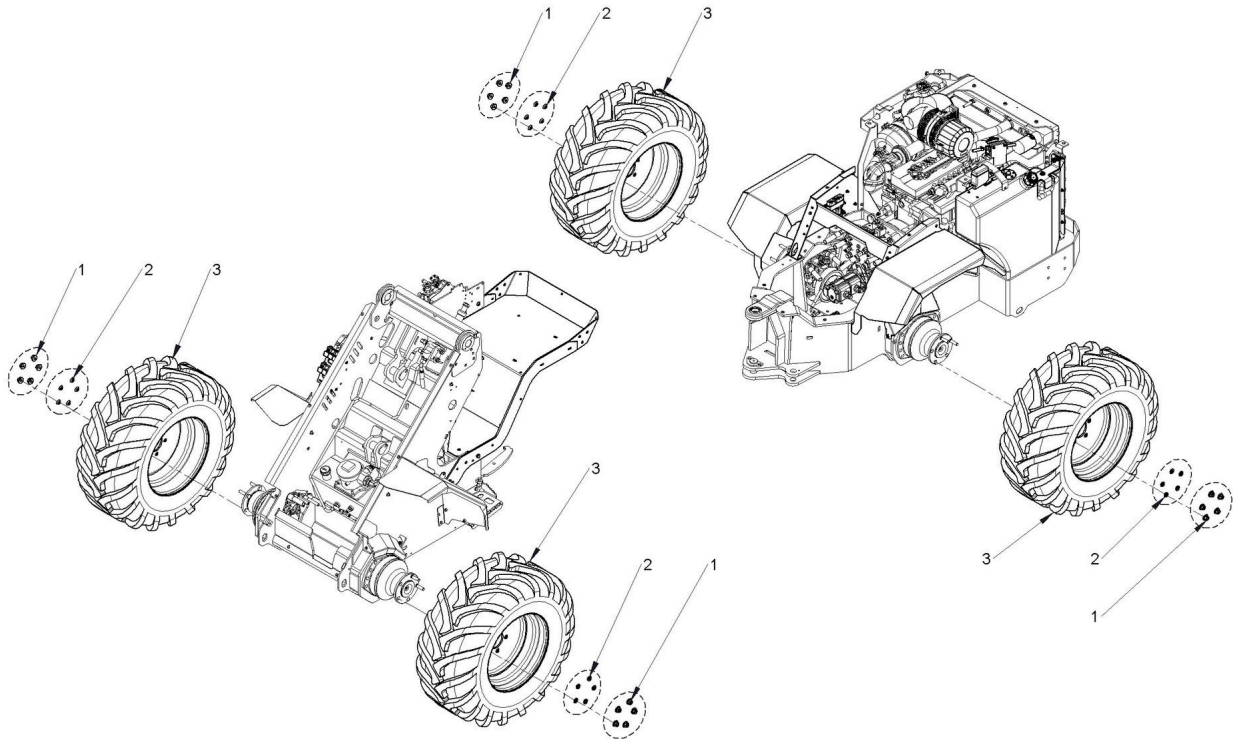
Component list [TAV. 33 SEAT SUPPORT]

Pos.	Code	Description	Q.ty
1	C020133	HEXAGON HEAD BOLT 10.9 M12x35 ISO 4017	4.00000
2	C020550	ISO 7380 M10x25 HEX SOCKET OVAL HEAD SCREW	3.00000
3	C021503	SLOTTED AND CASTLE HEXAGON NUTS M10 DIN980	3.00000
4	C021504	SLOTTED AND CASTLE HEXAGON NUTS M12 DIN980	4.00000
5	C023102	UNI 6592 FLAT WASHER M12 - 13x24x2,5	4.00000
6	C028270	THREAD INSERT M8	3.00000
7	C281763	FIXING BASE SEAT M1 6->10	1.00000



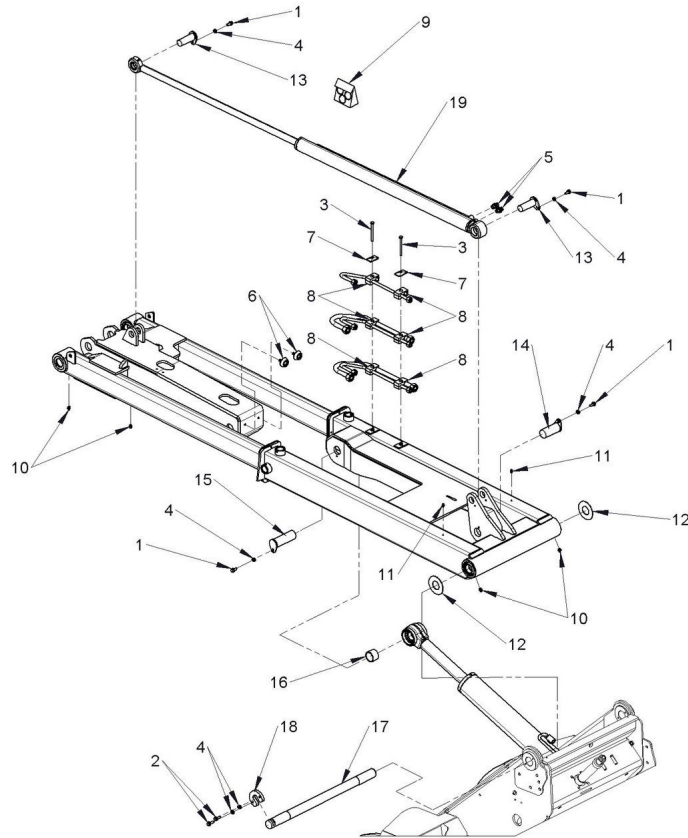
Component list [TAV. 34 RELAY SUPPORT]

Pos.	Code	Description	Q.ty
1	C020036	UNI EN ISO 4762 M5X16 HEX SOCKET HEAD CAP SCREW	6.00000
2	C020548	ISO 7380 M6x20 HEX SOCKET OVAL HEAD SCREW	2.00000
3	C021102	UNI 7473 SELF-LOCKING NUT M5	6.00000
4	C023072	UNI 6592 FLAT WASHER M5 - 5,3x10x1	6.00000
5	C028271	THREAD INSERT M6	2.00000
6	C038149	12 V, 30 RELAY W/FUSE	2.00000
7	C038151	12 V, 40-30 A RELAY	4.00000
8	C038152	12 V, 70 A MAXIRELAY	2.00000
9	C281639	RELAY SUPPORT	1.00000



Component list [TAV. 35 WHEELS]

Pos.	Code	Description	Q.ty
1	C021135	FLANGED NUT M14X1.5 FOR POCLAIN WHEEL MOTOR	20.00000
2	C023500	WASHER LIMES D.14 FOR GT WHEEL SCREWS	20.00000
3	C040079	380/55-17 TR WHEEL ASSY	4.00000



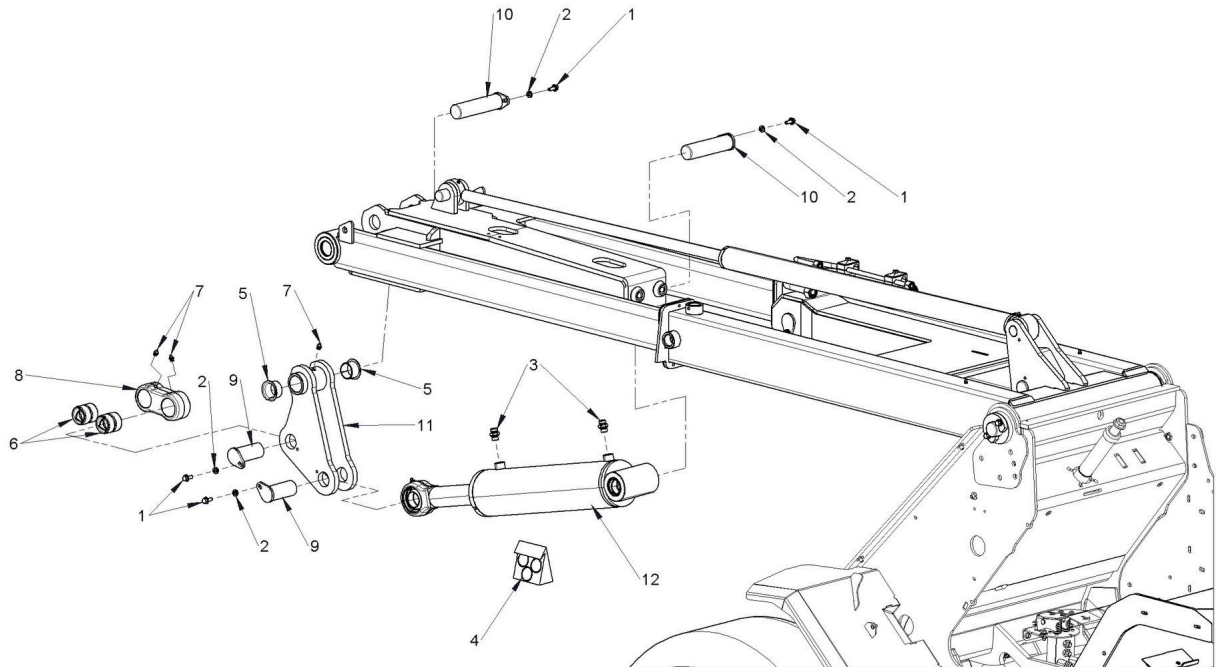
Component list [TAV. 36 BOOM]

Pos.	Code	Description	Q.ty
1	C019202	DIN 6921 M8x20 FLANGED HEAD SCREW	4.00000
2	C019203	DIN 6921 M8x25 FLANGED HEAD SCREW	2.00000
3	C020082	UNI 5739 M8x90 HEX HEAD SCREW	2.00000
4	C023041	M8 NORD LOCK WASHER	6.00000
5	C033001	MALE-MALE CONNECTOR 3/8" G - 12 L	2.00000
6	C035078	RUBBER END	2.00000
7	C035140	UPPER PLATE FOR DOUBLE HOSE HOLDER	2.00000
8	C035159	DOUBLE PIPE CLAMP 12-18	6.00000
9	C036854	SEAL KIT FO C285797 CYLINDER	1.00000
10	C090030	GREASER NIPPLE M10x1 UNI 7663A	4.00000
11	C090032	GREASER M6x1 UNI 7663A	2.00000
12	C274024	Ø88-Ø40,5 TH 1,5 SPACER	2.00000
13	C281704	Ø30x85 PIN	2.00000
14	C281765	FLANGED PIN Ø40 L=90	1.00000
15	C281799	PIN Ø40 L=120	1.00000
16	C282774	SPACER	1.00000
17	C285250	BOOM PIN Ø40x658	1.00000



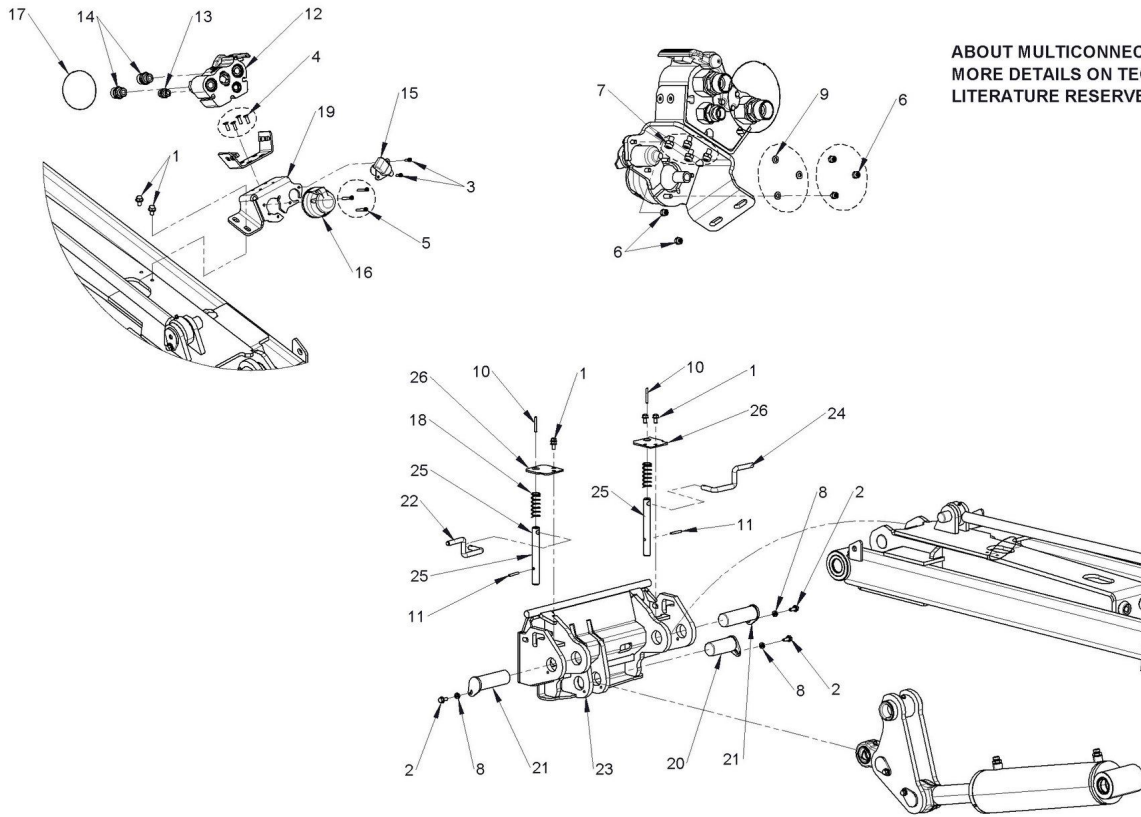
Draft and part list report
Serial n / code M354995 / C968100
Description MULTIONE 11.6K STAGE 5

18	C285251	STOP ARM PIN	1.00000
19	C285797	11 SERIES BOOM EXTENTION CYLINDER	1.00000



Component list [TAV. 37 TILTING PLATE]

Pos.	Code	Description	Q.ty
1	C019202	DIN 6921 M8x20 FLANGED HEAD SCREW	4.00000
2	C023041	M8 NORD LOCK WASHER	4.00000
3	C033001	MALE-MALE CONNECTOR 3/8" G - 12 L	2.00000
4	C036856	BORE 110 ROD 55 CYLINDER SEAL KIT	1.00000
5	C037641	FLANGED BUSHING Ø40x44x55x25	2.00000
6	C037689	SIBO BUSHING 50x40x50	2.00000
7	C090030	GREASER NIPPLE M10x1 UNI 7663A	3.00000
8	C281713	COUPLING PLATE ROD	1.00000
9	C281765	FLANGED PIN Ø40 L=90	2.00000
10	C281779	PIN Ø40 L=155	2.00000
11	C285720	COUPLING PLATE ROD M1 11	1.00000
12	C285799	11 SERIES TILTING PLATE CYLINDER	1.00000



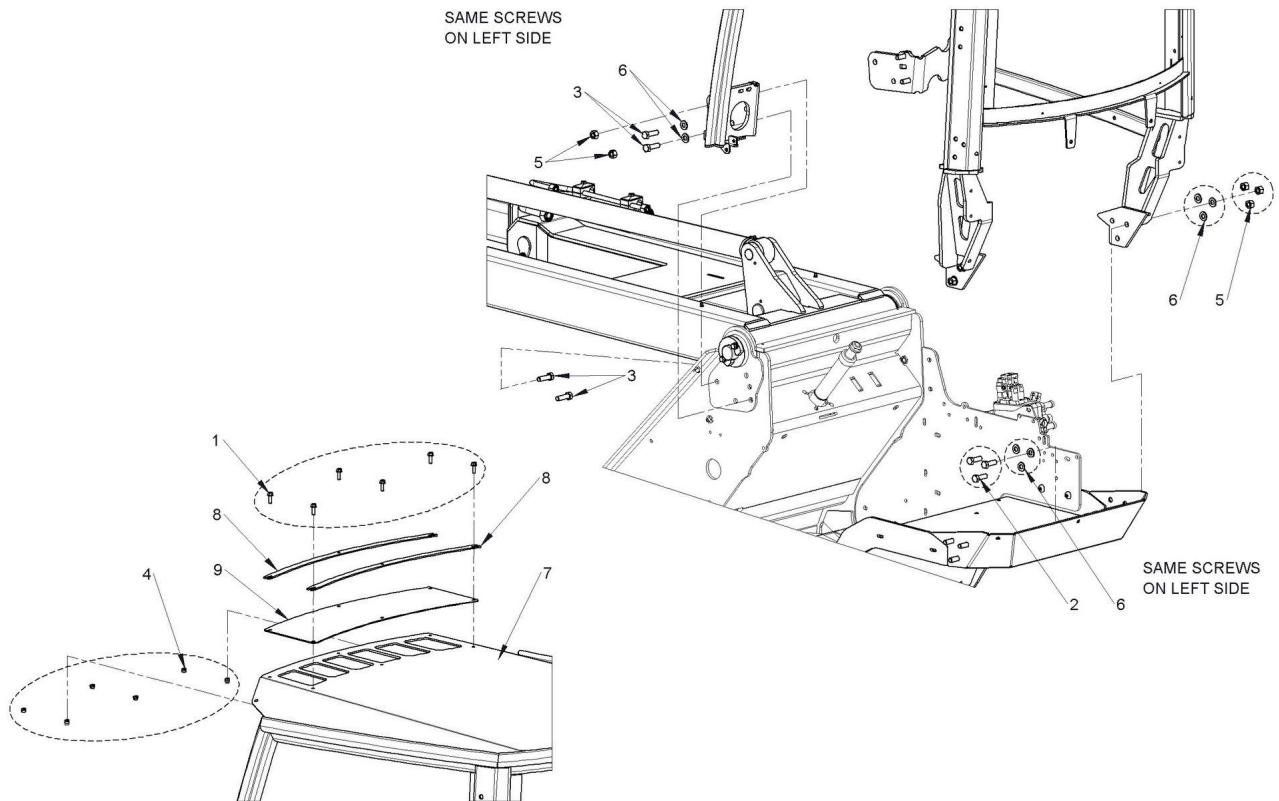
Component list [TAV. 38 COUPLING PLATE]

Pos.	Code	Description	Q.ty
1	C019201	DIN 6921 M8x16 FLANGED HEAD SCREW	6.00000
2	C019202	DIN 6921 M8x20 FLANGED HEAD SCREW	3.00000
3	C020036	UNI EN ISO 4762 M5X16 HEX SOCKET HEAD CAP SCREW	2.00000
4	C020187	UNI 5933 M6x20 HEX SOCKET COUNTERSUNK CAP SCREW	4.00000
5	C020267	UNI EN ISO 4762 M5x40 HEX SOCKET HEAD CAP SCREW	3.00000
6	C021102	UNI 7473 SELF-LOCKING NUT M5	5.00000
7	C021104	UNI 7473 SELF-LOCKING NUT M6	4.00000
8	C023041	M8 NORD LOCK WASHER	3.00000
9	C023072	UNI 6592 FLAT WASHER M5 - 5,3x10x1	3.00000
10	C028249	ISO 2338 PIN Ø6x45	2.00000
11	C028267	SPRING TYPE STRAIGHT PIN Ø6x40 UNI 6875	2.00000
12	C030497	HYDRAULIC MULTICONNECTOR, MACHINE 3 WAY	1.00000
13	C033001	MALE-MALE CONNECTOR 3/8" G - 12 L	1.00000
14	C033107	MALE-MALE CONNECTOR 1/2" G - 18L	2.00000
15	C036431	12V 3 POLES FEMALE SOCKET	1.00000
16	C038193	7 POLES SOCKET, MACHINE SIDE	1.00000
17	C038772	LATCH	1.00000



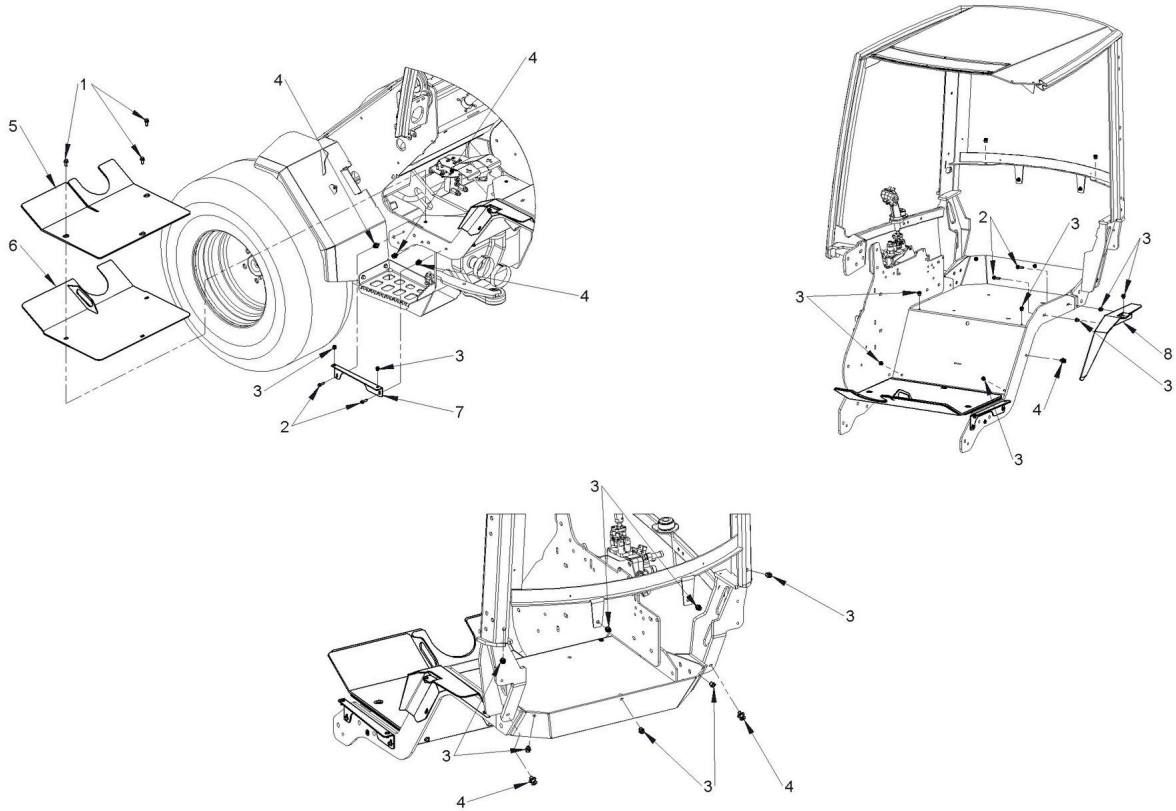
Draft and part list report
Serial n / code M354995 / C968100
Description MULTIONE 11.6K STAGE 5

18	C220330	COMPRESSION SPRING	2.00000
19	C281640	MULTICONNECTOR PLATE SUPPORT	1.00000
20	C281765	FLANGED PIN Ø40 L=90	1.00000
21	C281799	PIN Ø40 L=120	2.00000
22	C281827	LEFT LEVER, COUPLING PLATE	1.00000
23	C281860	COUPLING PLATE	1.00000
24	C281869	RIGHT LEVER, COUPLING PLATE	1.00000
25	C281870		2.00000
26	C281871	CENTERING PIN PLATE	2.00000



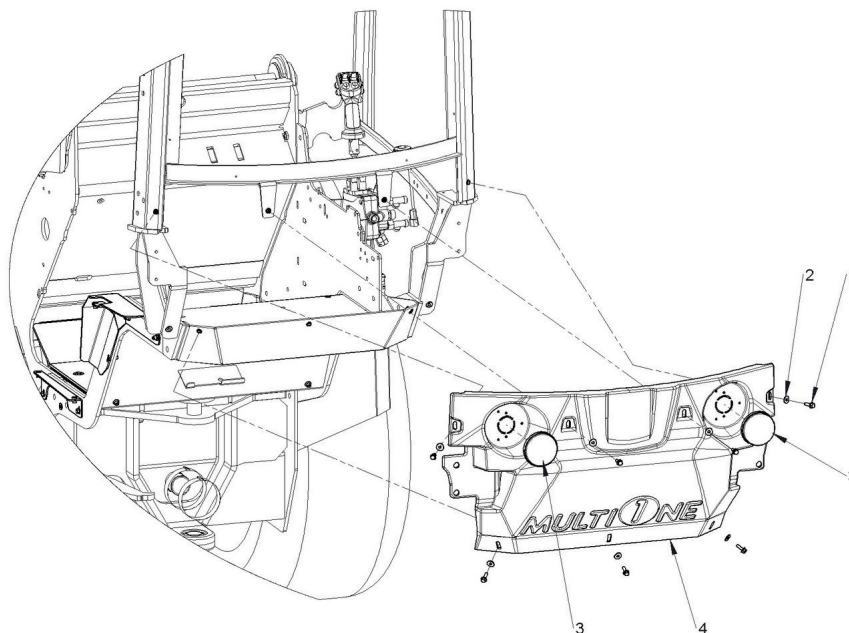
Component list [TAV. 39 ROLLBAR]

Pos.	Code	Description	Q.ty
1	C019212	DIN 6921 M6x20 FLANGED HEAD SCREW	6.00000
2	C020133	HEXAGON HEAD BOLT 10.9 M12x35 ISO 4017	6.00000
3	C020139	HEXAGON HEAD SCREW M12x40 UNI 5739	8.00000
4	C021104	UNI 7473 SELF-LOCKING NUT M6	6.00000
5	C021504	SLOTTED AND CASTLE HEXAGON NUTS M12 DIN980	10.00000
6	C023102	UNI 6592 FLAT WASHER M12 - 13x24x2,5	16.00000
7	C282200	ROLL-BAR FRAME	1.00000
8	C282352	ROOF PLEXIGLASS FIXING PLATE	2.00000
9	C283051	ROOF PLEXIGLASS	1.00000



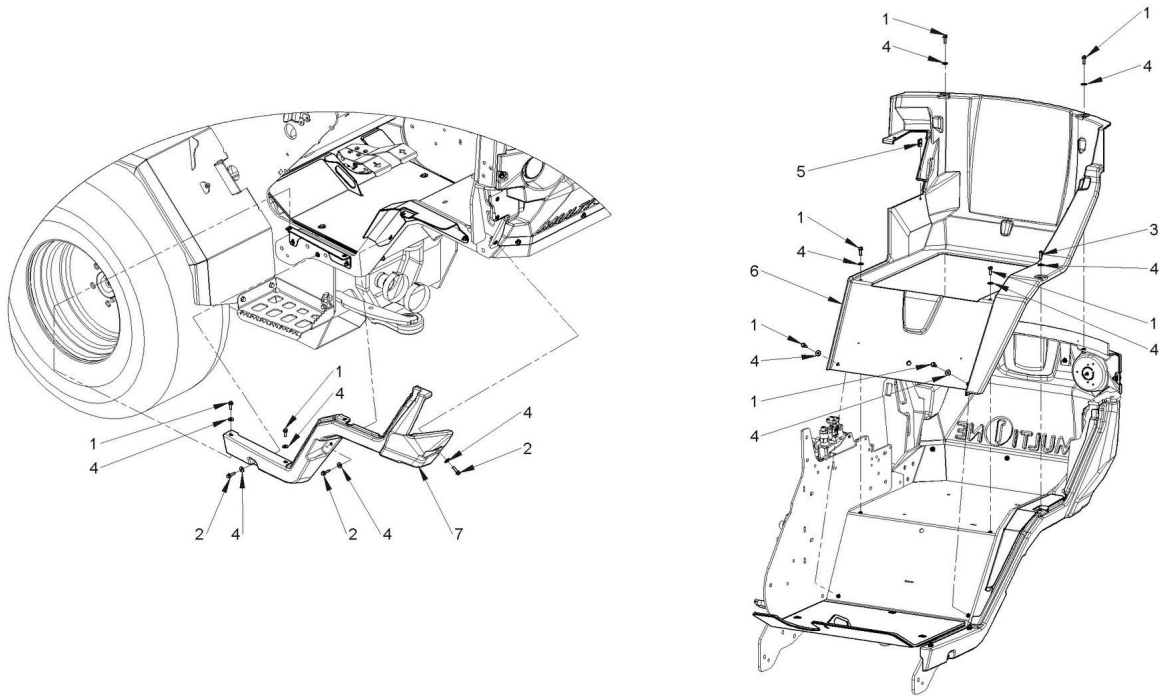
Component list [TAV. 40 FOOTREST PLATE]

Pos.	Code	Description	Q.ty
1	C019202	DIN 6921 M8x20 FLANGED HEAD SCREW	3.00000
2	C019213	DIN 6921 M6x25 FLANGED HEAD SCREW	4.00000
3	C028271	THREAD INSERT M6	18.00000
4	C028288	THREAD INSERT M6	6.00000
5	C029259	ROOF PADS FOR MULTIONE M1	1.00000
6	C281747	UNDER FEET PLATFORM	1.00000
7	C281894	SUPPORT FOR PLASTIC STEP FRAME M1 3->10	1.00000
8	C281895	UNDER SEAT COVER SUPPORT	1.00000



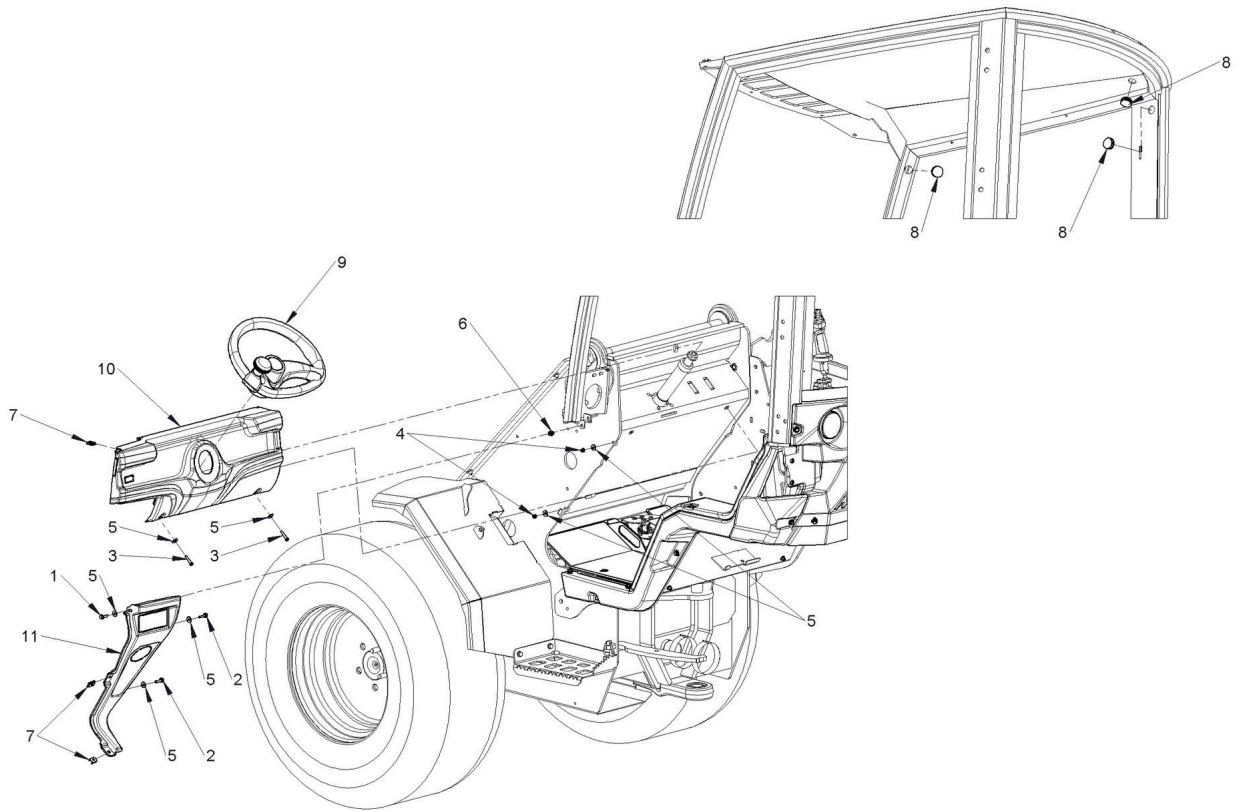
Component list [TAV. 41 BACK CABIN COVER]

Pos.	Code	Description	Q.ty
1	C019212	DIN 6921 M6x20 FLANGED HEAD SCREW	7.00000
2	C023110	UNI 6593 LARGE WASHER M6 - 6,5x18x1,5	7.00000
3	C034018	Ø80 RED RETRO REFLECTOR	2.00000
4	C041427P	PE BACK CABIN COVER W/OUT A/C	1.00000



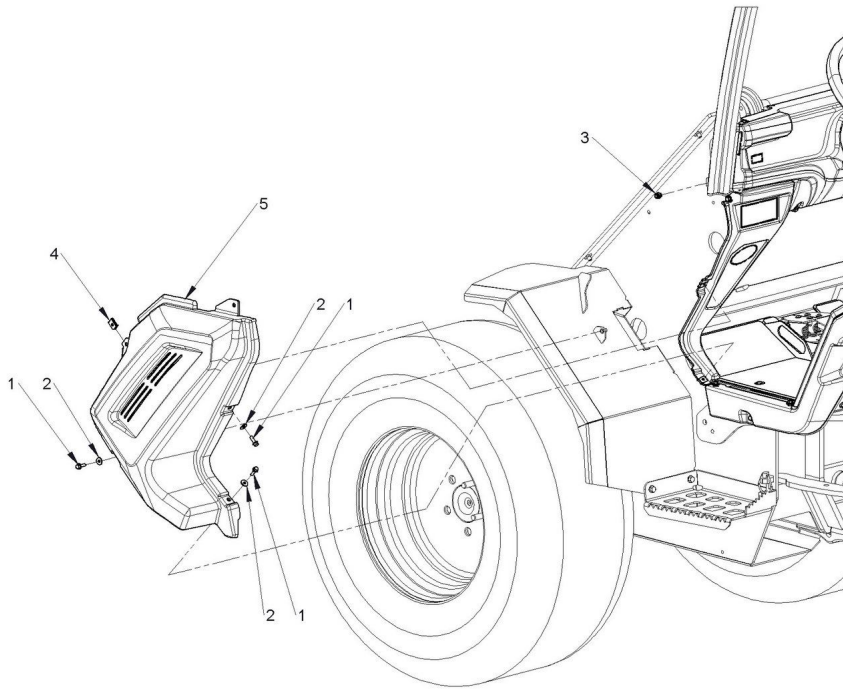
Component list [TAV. 42 UNDER SEAT COVER]

Pos.	Code	Description	Q.ty
1	C019212	DIN 6921 M6x20 FLANGED HEAD SCREW	8.00000
2	C019213	DIN 6921 M6x25 FLANGED HEAD SCREW	3.00000
3	C020546	ISO 7380 M6x25 HEX SOCKET OVAL HEAD SCREW	1.00000
4	C023110	UNI 6593 LARGE WASHER M6 - 6,5x18x1,5	12.00000
5	C028285	MULTITHREAD U-TYPE NUT M6	1.00000
6	C041437	UNDER SEAT COVER	1.00000
7	C041443P	PE LEFT DOOR SLAM	1.00000



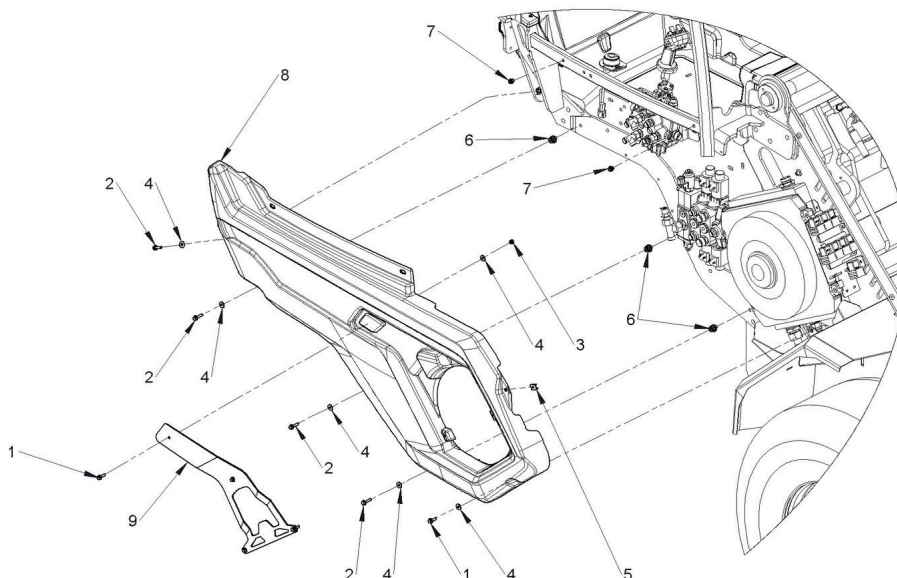
Component list [TAV. 43 UNDER STEERING WHEEL COVER]

Pos.	Code	Description	Q.ty
1	C019212	DIN 6921 M6x20 FLANGED HEAD SCREW	1.00000
2	C019213	DIN 6921 M6x25 FLANGED HEAD SCREW	2.00000
3	C020053	UNI 5739 M6x30 HEX HEAD SCREW	2.00000
4	C021104	UNI 7473 SELF-LOCKING NUT M6	2.00000
5	C023110	UNI 6593 LARGE WASHER M6 - 6,5x18x1,5	7.00000
6	C028271	THREAD INSERT M6	1.00000
7	C028285	MULTITHREAD U-TYPE NUT M6	3.00000
8	C036039	CLOSED FAIRLEAD Ø19	3.00000
9	C036466	STEERING WHEEL BLACK	1.00000
10	C041677	FRONT DASHBOARD NO/HEAT NEWGEN M1 6-10	1.00000
11	C041682	LOWER DOOR PROTECTION M1 6-10 NEWGEN	1.00000



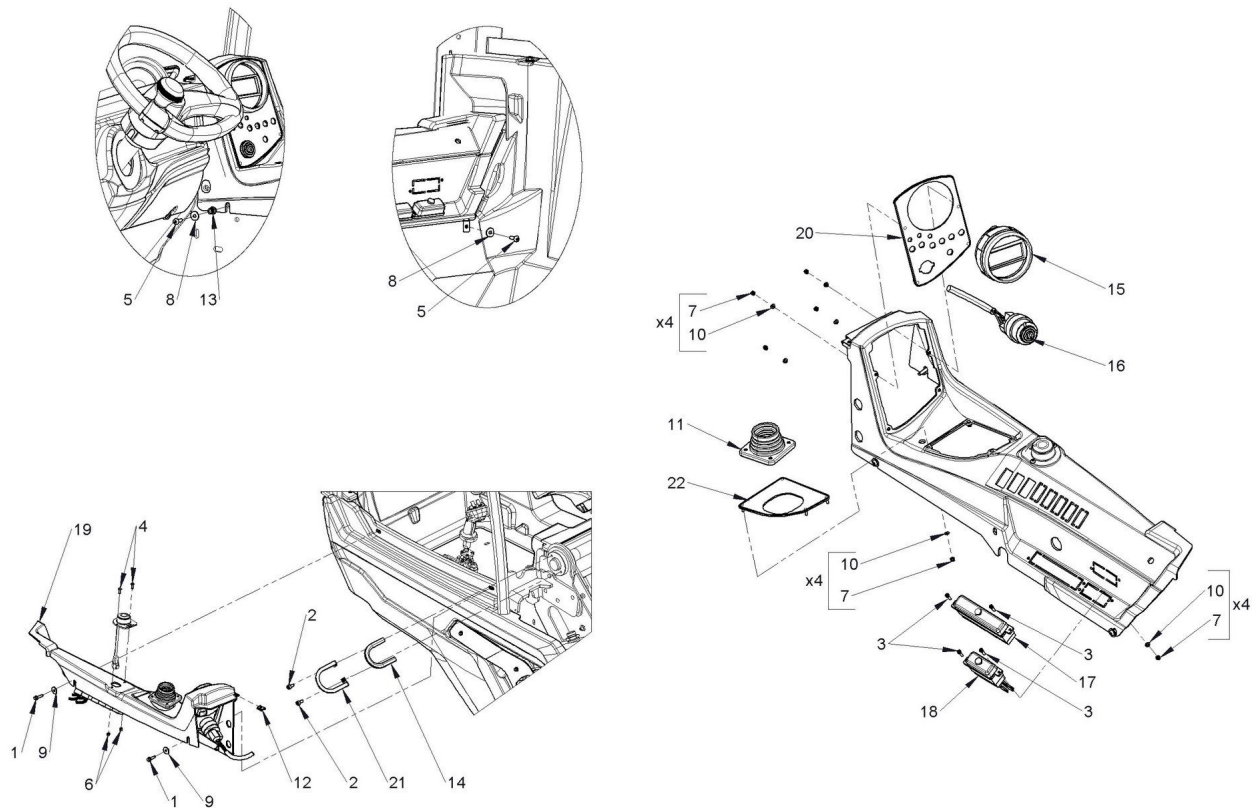
Component list [TAV. 44 FRONT LEFT COVER]

Pos.	Code	Description	Q.ty
1	C019212	DIN 6921 M6x20 FLANGED HEAD SCREW	3.00000
2	C023110	UNI 6593 LARGE WASHER M6 - 6,5x18x1,5	3.00000
3	C028271	THREAD INSERT M6	1.00000
4	C028285	MULTITHREAD U-TYPE NUT M6	1.00000
5	C041431P	PE FRONT LEFT SIDE COVER	1.00000



Component list [TAV. 45 FRONT RIGHT COVER]

Pos.	Code	Description	Q.ty
1	C019212	DIN 6921 M6x20 FLANGED HEAD SCREW	5.00000
2	C019213	DIN 6921 M6x25 FLANGED HEAD SCREW	4.00000
3	C021104	UNI 7473 SELF-LOCKING NUT M6	4.00000
4	C023110	UNI 6593 LARGE WASHER M6 - 6,5x18x1,5	9.00000
5	C028285	MULTITHREAD U-TYPE NUT M6	1.00000
6	C028288	THREAD INSERT M6	3.00000
7	C028294	THREAD INSERT M6	2.00000
8	C041439P	PE FRONT RIGHT SIDE COVER	1.00000
9	C285163	OIL COOLER FAN PROTECTION	1.00000



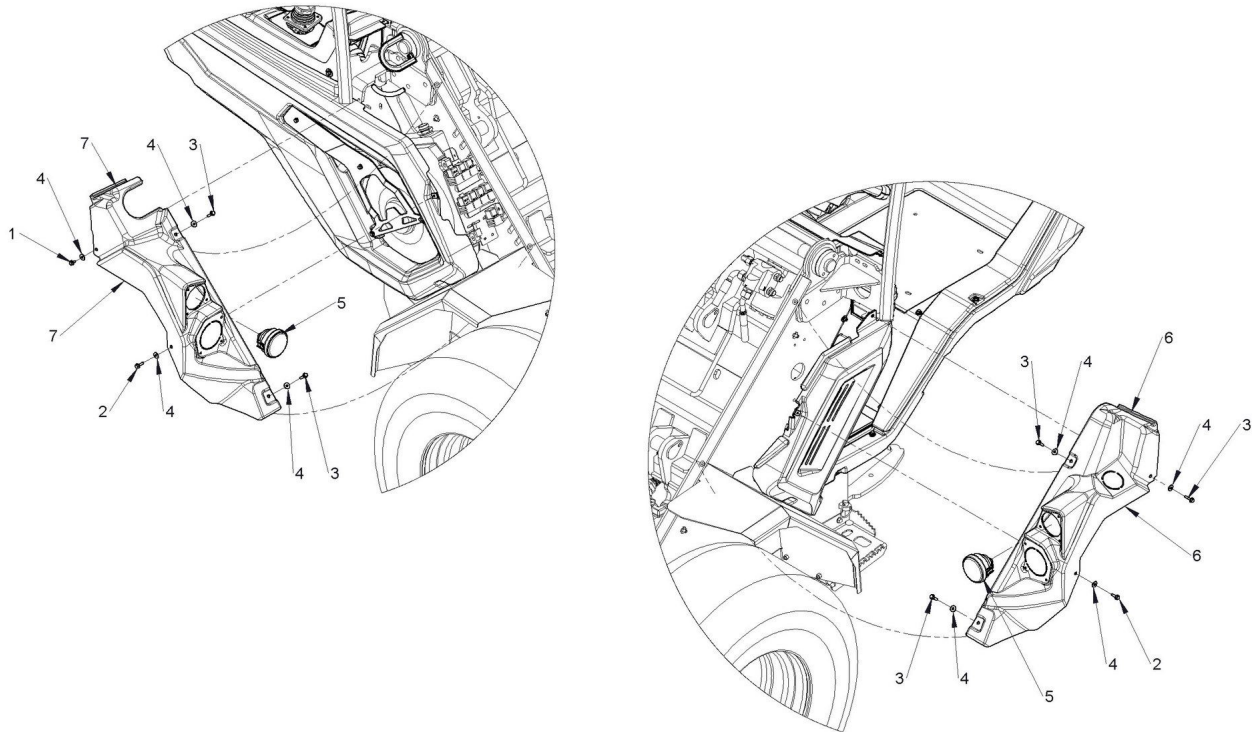
Component list [TAV. 46 DASHBOARD]

Pos.	Code	Description	Q.ty
1	C019213	DIN 6921 M6x25 FLANGED HEAD SCREW	2.00000
2	C020230	UNI EN ISO 4762 M8x16 HEX SOCKET HEAD CAP SCREW	2.00000
3	C020283	UNI EN ISO 4762 M4x16 HEX SOCKET HEAD CAP SCREW	4.00000
4	C020547	ISO 7380 M5x16 HEX SOCKET OVAL HEAD SCREW	2.00000
5	C020548	ISO 7380 M6x20 HEX SOCKET OVAL HEAD SCREW	2.00000
6	C021102	UNI 7473 SELF-LOCKING NUT M5	2.00000
7	C021103	UNI 7473 SELF-LOCKING NUT M4	12.00000
8	C023110	UNI 6593 LARGE WASHER M6 - 6,5x18x1,5	2.00000
9	C023122	UNI 6593 EXTRA LARGE WASHER M6 6,5x24x2	2.00000
10	C023123	UNI 6592 FLAT WASHER M4 - 4,3x9x0,8	12.00000
11	C028056	JOYSTICK RUBBER PROTECTION	1.00000
12	C028285	MULTITHREAD U-TYPE NUT M6	1.00000
13	C028291	THREAD INSERT M6	1.00000
14	C035002	RUBBER PROFILE 10X14	1.00000
15	C038154	Ø100 LCD DECK	1.00000
16	C038155	IGNITION SWITCH	1.00000
17	C038196	8 WAY FUSEBOX W/KNOB	1.00000



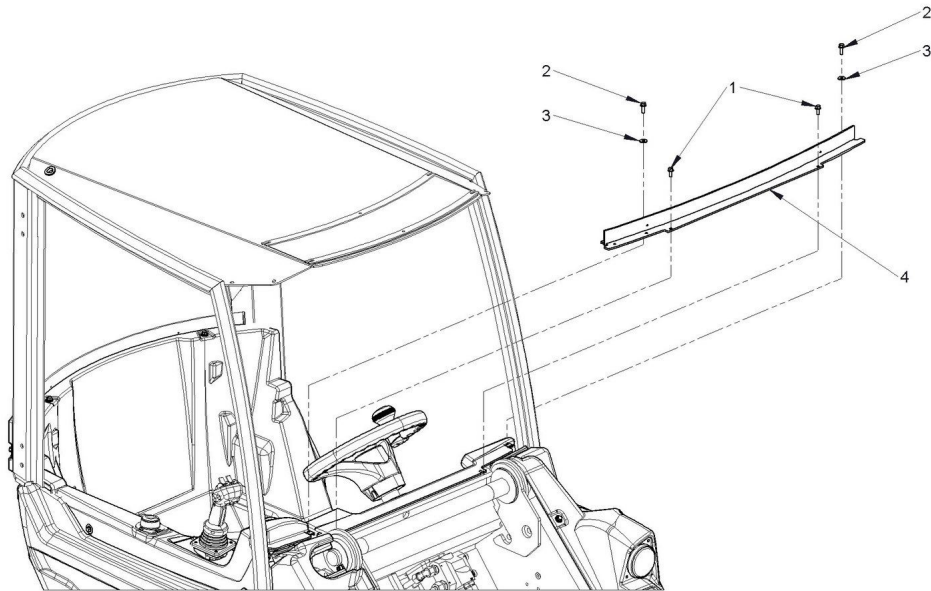
Draft and part list report
Serial n / code M354995 / C968100
Description MULTIONE 11.6K STAGE 5

18	C038197	4 WAY FUSEBOX W/KNOB	1.00000
19	C041695	SIDE DASHBOARD M1 6-10 HALL 2ND GEN	1.00000
20	C277690	DIGITAL INSTRUMENT PANEL M1 6-8.4	1.00000
21	C281605	HOSE JUMPER	1.00000
22	C285858	MULTIFUNCTION JOYSTICK PANEL	1.00000



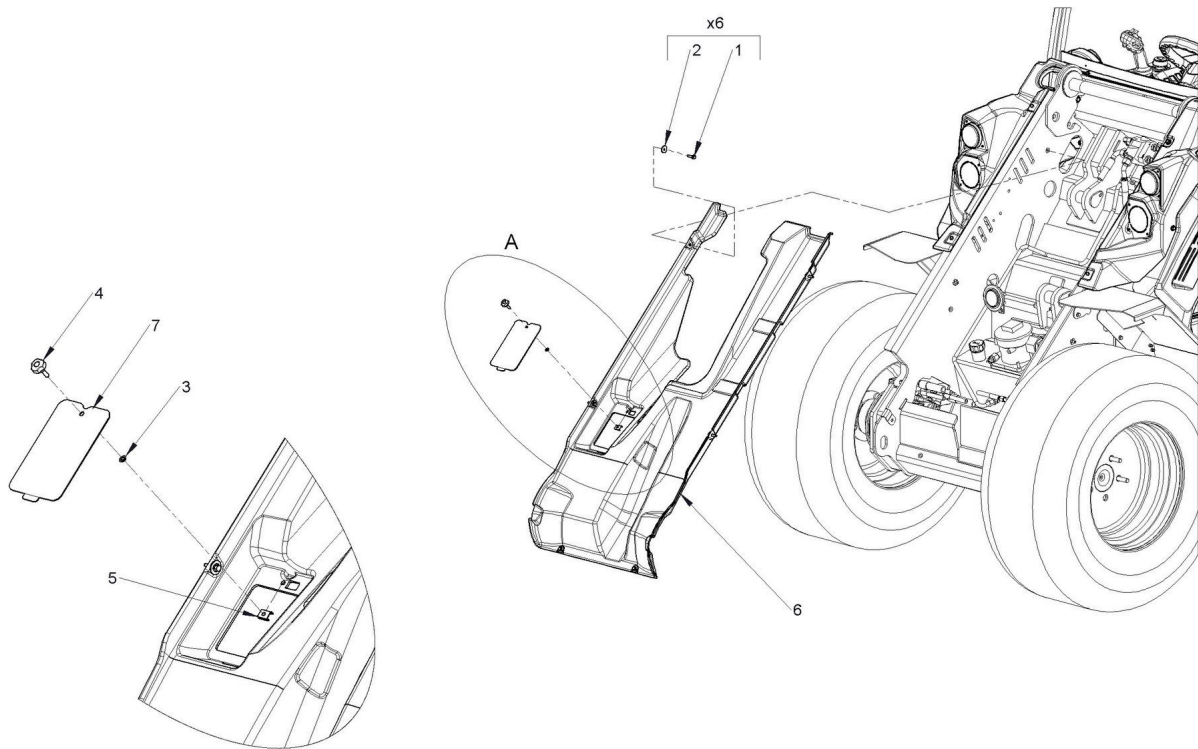
Component list [TAV. 47 FRONT LIGHTS HOLDER]

Pos.	Code	Description	Q.ty
1	C019210	DIN 6921 M6x10 FLANGED HEAD SCREW	1.00000
2	C019212	DIN 6921 M6x20 FLANGED HEAD SCREW	2.00000
3	C019213	DIN 6921 M6x25 FLANGED HEAD SCREW	5.00000
4	C023110	UNI 6593 LARGE WASHER M6 - 6,5x18x1,5	8.00000
5	C038168	Ø85 ROUND HALOGEN WORK LIGHT	2.00000
6	C041429P	PE FRONT LEFT LIGHT SUPPORT	1.00000
7	C041430P	PE FRONT RIGHT LIGHT SUPPORT	1.00000



Component list [TAV. 48 WINDSCREEN HOLDER]

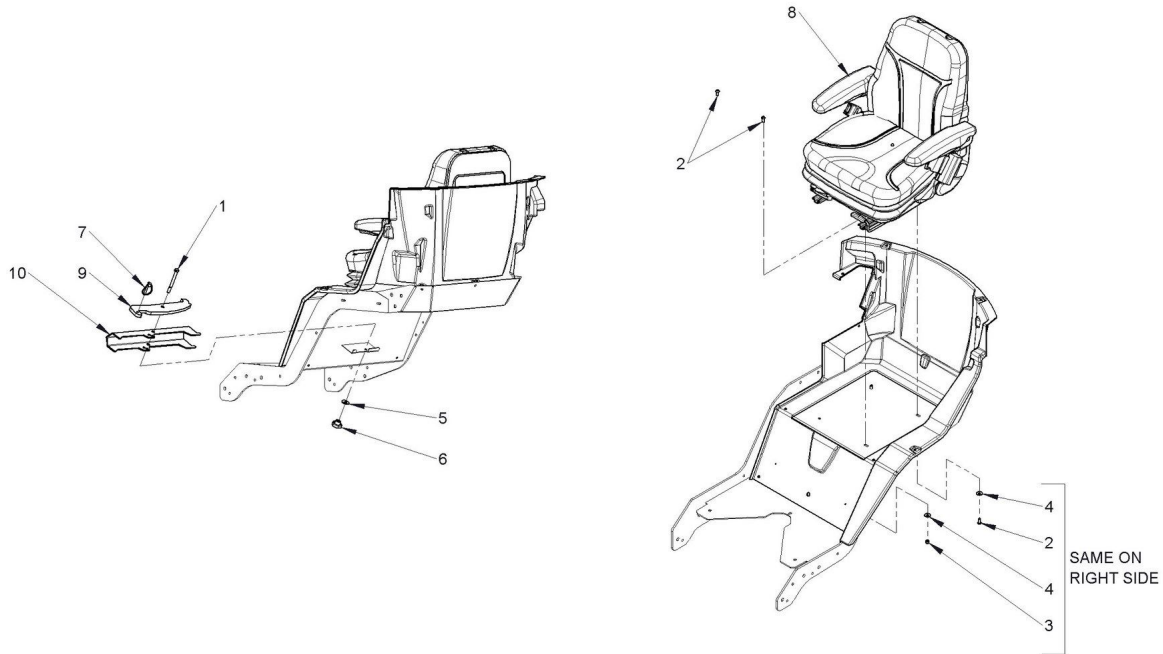
Pos.	Code	Description	Q.ty
1	C019211	DIN 6921 M6x16 FLANGED HEAD SCREW	2.00000
2	C019212	DIN 6921 M6x20 FLANGED HEAD SCREW	2.00000
3	C023110	UNI 6593 LARGE WASHER M6 - 6,5x18x1,5	2.00000
4	C282239	FRONT GLASS SUPPORT	1.00000



Component list [TAV. 49 UNDER BOOM COVER]

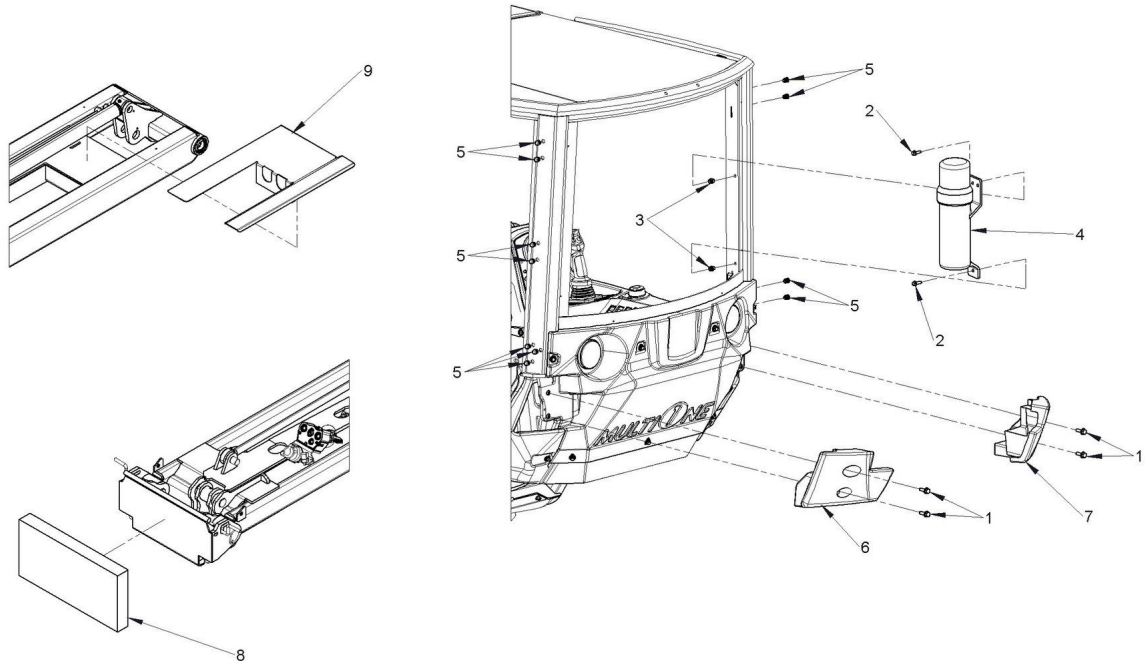
Pos.	Code	Description	Q.ty
1	C019213	DIN 6921 M6x25 FLANGED HEAD SCREW	6.00000
2	C023122	UNI 6593 EXTRA LARGE WASHER M6 6,5x24x2	6.00000
3	C023601	SPRING WASHER FOR SHAFT 5 MM	1.00000
4	C028024	THREE-LOBED LOWERED HANDWHEEL WITH M6x20 THREADED PIN	1.00000
5	C028285	MULTITHREAD U-TYPE NUT M6	1.00000
6	C041696P	UNDER BOOM COVER M1 11	1.00000
7	C281893	OIL TANK INSPECTION DOOR	1.00000

ABOUT SEAT, MORE DETAILS ON TECHNICAL LITERATURE RESERVED AREA



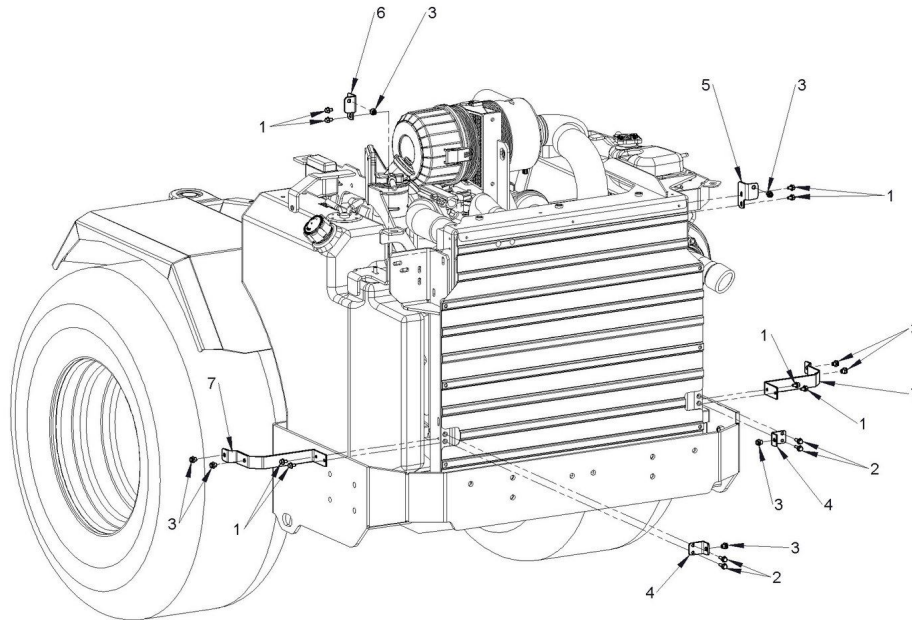
Component list [TAV. 50 SEAT]

Pos.	Code	Description	Q.ty
1	C020113	ISO 4014 M10x100 HEX HEAD SCREW	1.00000
2	C020541	ISO 7380 M8x20 HEX SOCKET OVAL HEAD SCREW	4.00000
3	C021502	SLOTTED AND CASTLE HEXAGON NUTS M8 DIN980	2.00000
4	C023100	UNI 6593 LARGE WASHER M8 - 8,5x24x2	4.00000
5	C023104	UNI 6593 LARGE WASHER M10 - 10,5x30x2,5	1.00000
6	C028015	FEMALE WHEEL KNOB M10	1.00000
7	C028201	CLICK PIN Ø6 mm	1.00000
8	C036774	SUSPENSION SEAT+HEAT+ARM	1.00000
9	C281782	ARTICULATION LOCK	1.00000
10	C282548	SAFETY BOOM LOCK M1 9,10,11	1.00000



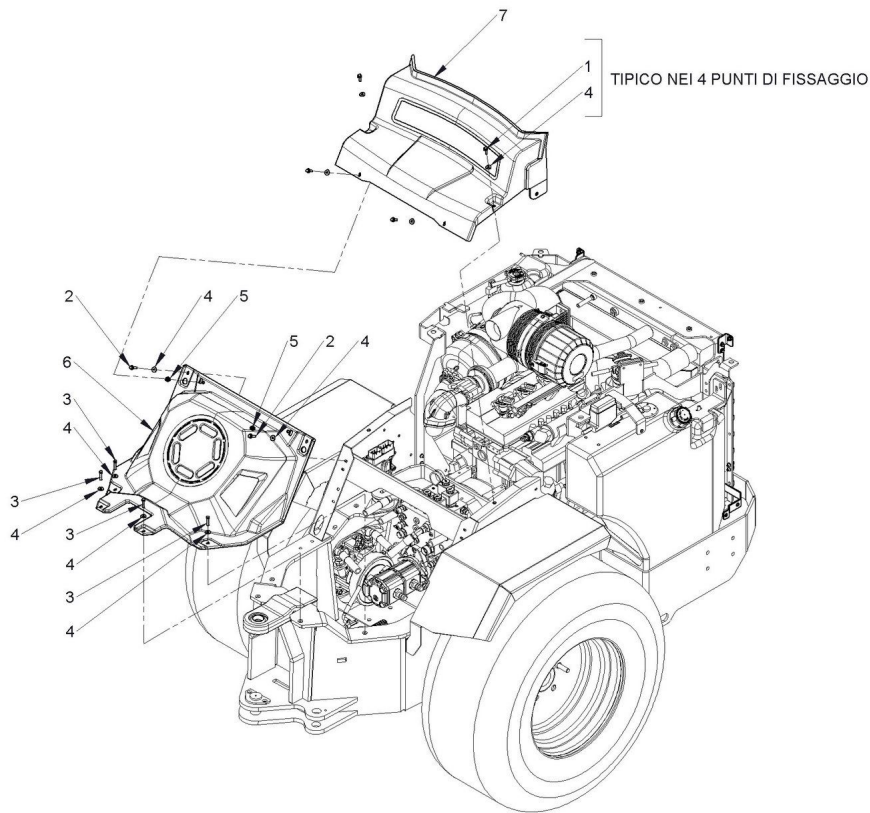
Component list [TAV. 51 BOOM AND CABIN BUFFERS]

Pos.	Code	Description	Q.ty
1	C019203	DIN 6921 M8x25 FLANGED HEAD SCREW	4.00000
2	C019212	DIN 6921 M6x20 FLANGED HEAD SCREW	2.00000
3	C028271	THREAD INSERT M6	2.00000
4	C030810	MANUAL HOLDER	1.00000
5	C036058	CLOSED FAIRLEAD	11.00000
6	C041386	LEFT RUBBER PROTECTION M1 2-6->10-SD	1.00000
7	C041387	RIGHT RUBBER PROTECTION MK-MZ	1.00000
8	C285200	PLATE'S COVER	1.00000
9	C285740	HOSE PROTECTION SHIELD	1.00000



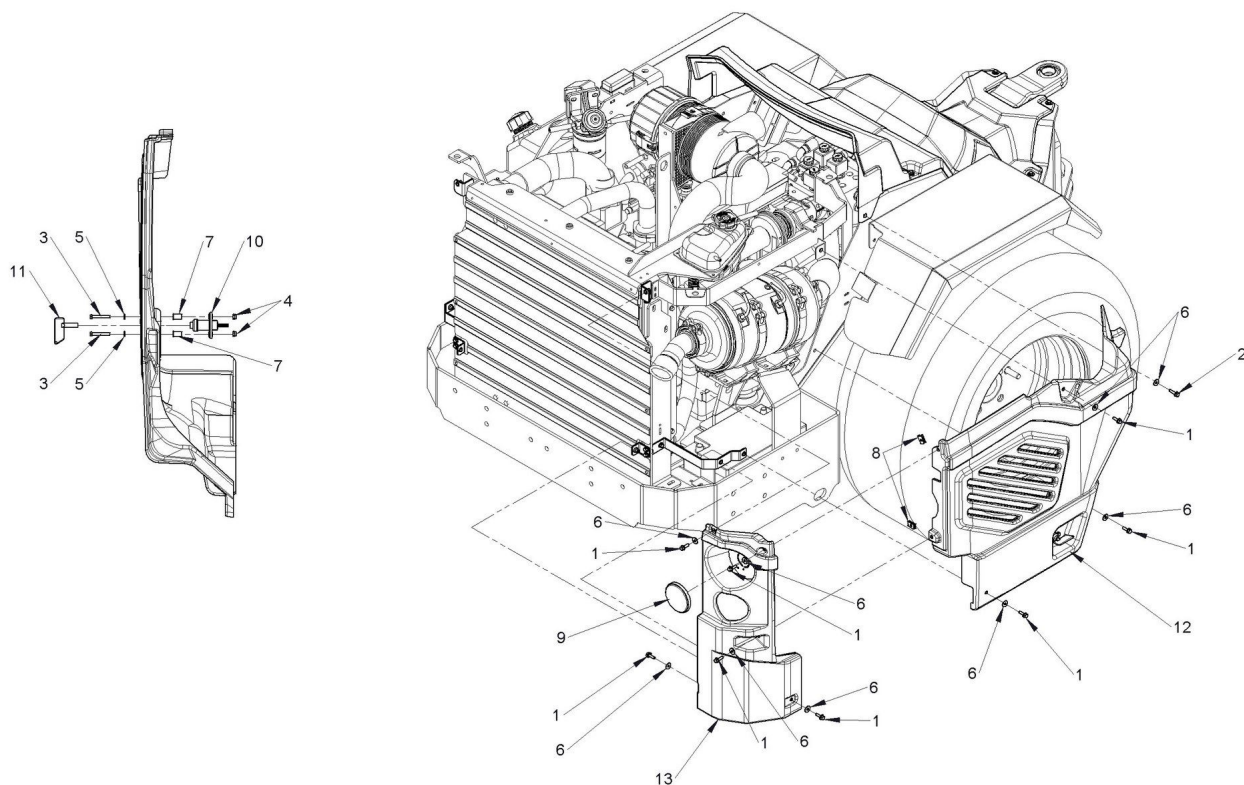
Component list [TAV. 52 REAR COVER SUPPORTS]

Pos.	Code	Description	Q.ty
1	C019210	DIN 6921 M6x10 FLANGED HEAD SCREW	8.00000
2	C019212	DIN 6921 M6x20 FLANGED HEAD SCREW	4.00000
3	C028271	THREAD INSERT M6	8.00000
4	C282593	REAR COVER SUPPORT	2.00000
5	C282594	REAR RIGHT UPPER COVER SUPPORT	1.00000
6	C282595	REAR LEFT UPPER COVER SUPPORT	1.00000
7	C282597	REAR LOWER COVER SUPPORT	2.00000



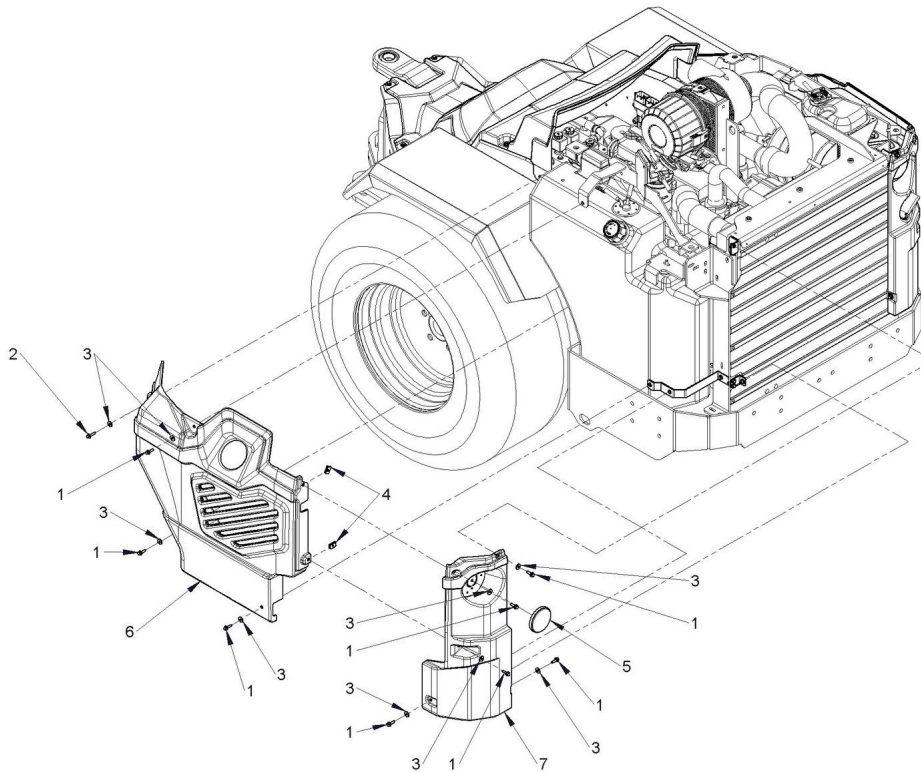
Component list [TAV. 53 OVER ARTICULATION AND OVER PUMPS COVER]

Pos.	Code	Description	Q.ty
1	C019212	DIN 6921 M6x20 FLANGED HEAD SCREW	4.00000
2	C019213	DIN 6921 M6x25 FLANGED HEAD SCREW	2.00000
3	C020053	UNI 5739 M6x30 HEX HEAD SCREW	4.00000
4	C023110	UNI 6593 LARGE WASHER M6 - 6,5x18x1,5	10.00000
5	C028271	THREAD INSERT M6	2.00000
6	C041701	TOP HINGE COVER M1 11	1.00000
7	C041702	OVER PUMP COVER	1.00000
8	C050017	RETE COFANO SOPRA POMPE M1 9-10	1.00000



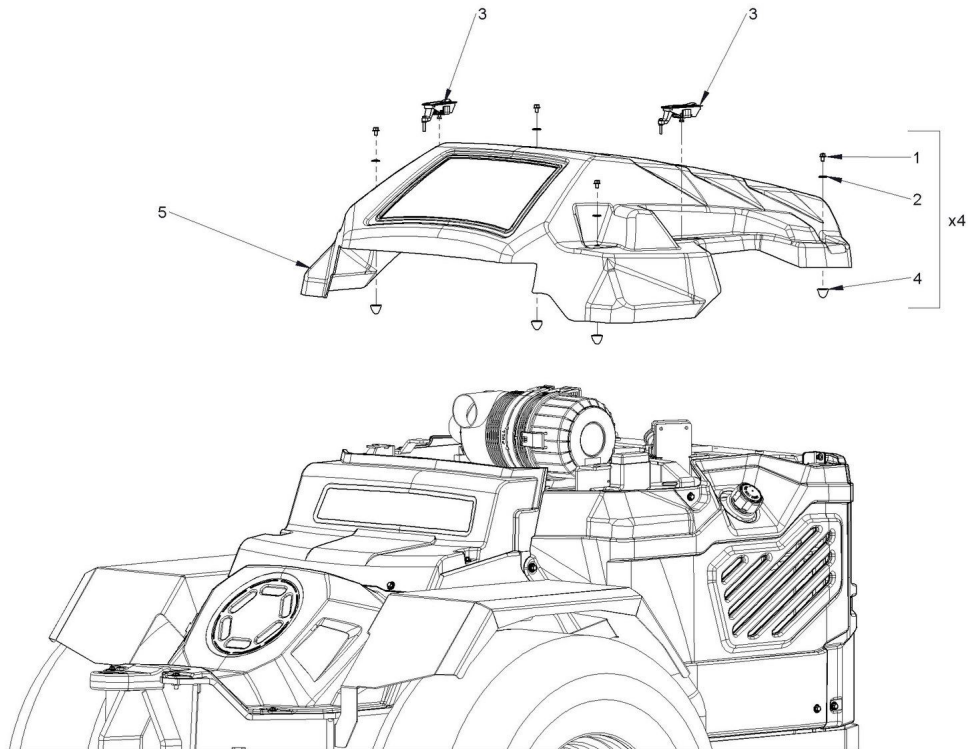
Component list [TAV. 54 REAR RIGHT SIDE COVERS]

Pos.	Code	Description	Q.ty
1	C019212	DIN 6921 M6x20 FLANGED HEAD SCREW	8.00000
2	C019213	DIN 6921 M6x25 FLANGED HEAD SCREW	1.00000
3	C020055	UNI 5739 M6x40 HEX HEAD SCREW	2.00000
4	C021104	UNI 7473 SELF-LOCKING NUT M6	2.00000
5	C023090	UNI 6592 FLAT WASHER M6 - 6,4x12x1,6	2.00000
6	C023110	UNI 6593 LARGE WASHER M6 - 6,5x18x1,5	9.00000
7	C028270	THREAD INSERT M8	2.00000
8	C028285	MULTITHREAD U-TYPE NUT M6	2.00000
9	C034018	Ø80 RED RETRO REFLECTOR	1.00000
10	C036100	100A BATTERY DISCONNECTOR	1.00000
11	C038174	BATTERY SWITCH RED KEY	1.00000
12	C041466P	PE REAR RIGHT SIDE COVER	1.00000
13	C041517P	PE EAR RIGHT LIGHT SUPPORT	1.00000



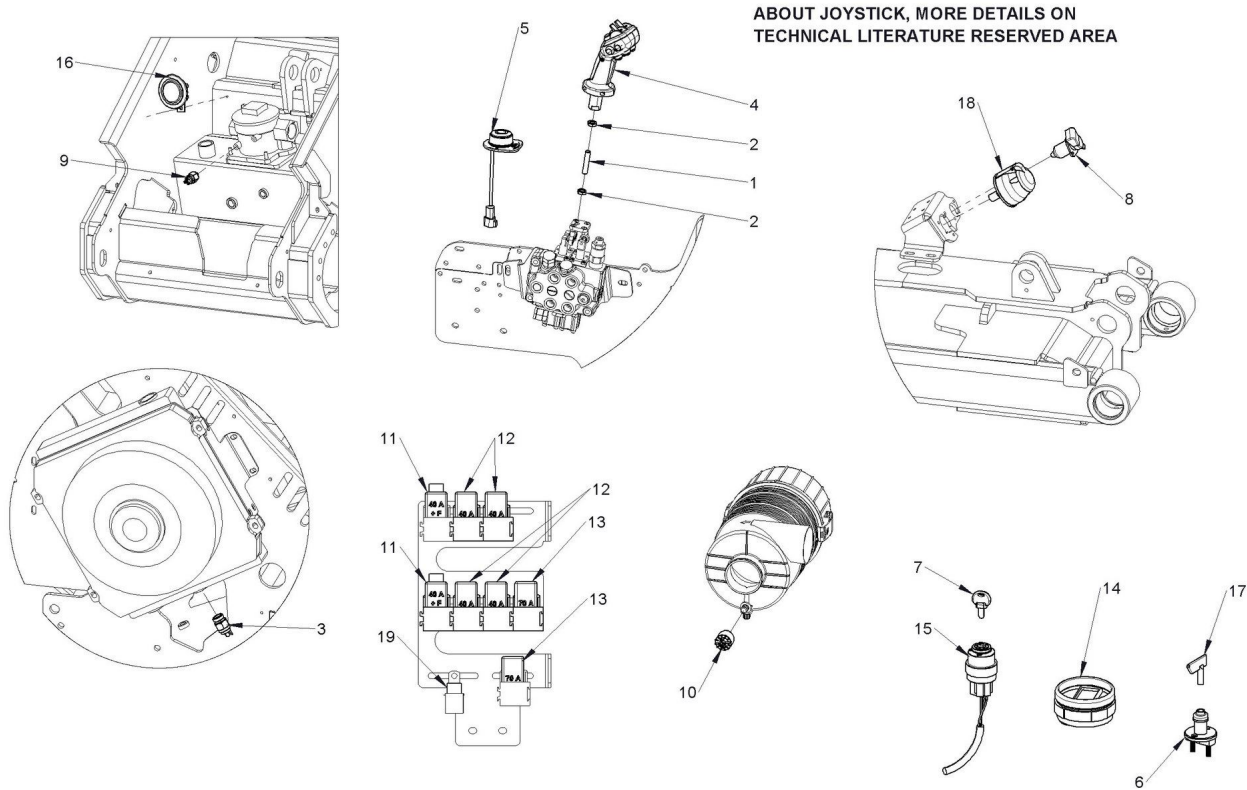
Component list [TAV. 55 REAR LEFT SIDE COVERS]

Pos.	Code	Description	Q.ty
1	C019212	DIN 6921 M6x20 FLANGED HEAD SCREW	8.00000
2	C019213	DIN 6921 M6x25 FLANGED HEAD SCREW	1.00000
3	C023110	UNI 6593 LARGE WASHER M6 - 6,5x18x1,5	9.00000
4	C028285	MULTITHREAD U-TYPE NUT M6	2.00000
5	C034018	Ø80 RED RETRO REFLECTOR	1.00000
6	C041467P	PE REAR LEFT SIDE COVER	1.00000
7	C041518P	PE REAR LEFT LIGHT SUPPORT	1.00000



Component list [TAV. 56 OVER ENGINE HOOD]

Pos.	Code	Description	Q.ty
1	C019210	DIN 6921 M6x10 FLANGED HEAD SCREW	4.00000
2	C023110	UNI 6593 LARGE WASHER M6 - 6,5x18x1,5	4.00000
3	C035045	LOCK HANDLE	2.00000
4	C035142	PARABOLIC SILENT BLOCK Ĩ24 H=16	4.00000
5	C041524P	PE OVER ENGINE ASSEMBLY COVER	1.00000



Component list [TAV. 57 ELECTRIC PARTS]

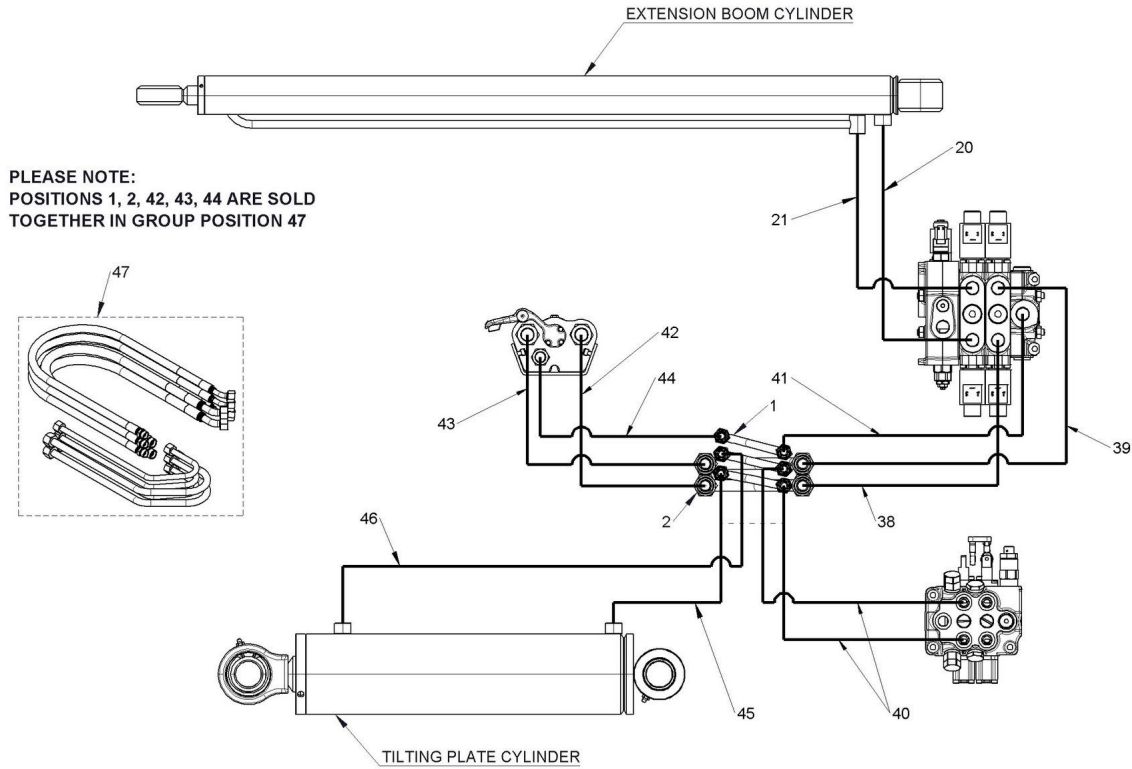
Pos.	Code	Description	Q.ty
1	C020551	THREAD BAR M10X50	1.00000
2	C021013	HEXAGON NUT M10 UNI 5589	2.00000
3	C030606	THERMOSWITCH 50-60° M22x1,5	1.00000
4	C030658	JOYSTICK HANDLE W/7POLES+TWIN PTO	1.00000
5	C030866	THROTTLE HANDLE WITH SCALE	1.00000
6	C036100	100A BATTERY DISCONNECTOR	1.00000
7	C036174	IGNITION KEY	1.00000
8	C036431	12V 3 POLES FEMALE SOCKET	1.00000
9	C036651	PRESSURE SWITCH 1/8" GAS	1.00000
10	C036654	AIR FILTER PRESSURE SWITCH	1.00000
11	C038149	12 V, 30 RELAY W/FUSE	2.00000
12	C038151	12 V, 40-30 A RELAY	4.00000
13	C038152	12 V, 70 A MAXIRELAY	2.00000
14	C038154	Ø100 LCD DECK	1.00000
15	C038155	IGNITION SWITCH	1.00000
16	C038166	HORN DEVICE	1.00000
17	C038174	BATTERY SWITCH RED KEY	1.00000



Draft and part list report
Serial n / code M354995 / C968100
Description MULTIONE 11.6K STAGE 5

18	C038193	7 POLES SOCKET, MACHINE SIDE	1.00000
19	C038217	3A FUSE	1.00000

BOOM HOSES DIAGRAM
 VIEW FROM OPERATOR'S SEAT



Component list [TAV. 58 BOOM HYDRAULIC DIAGRAM]

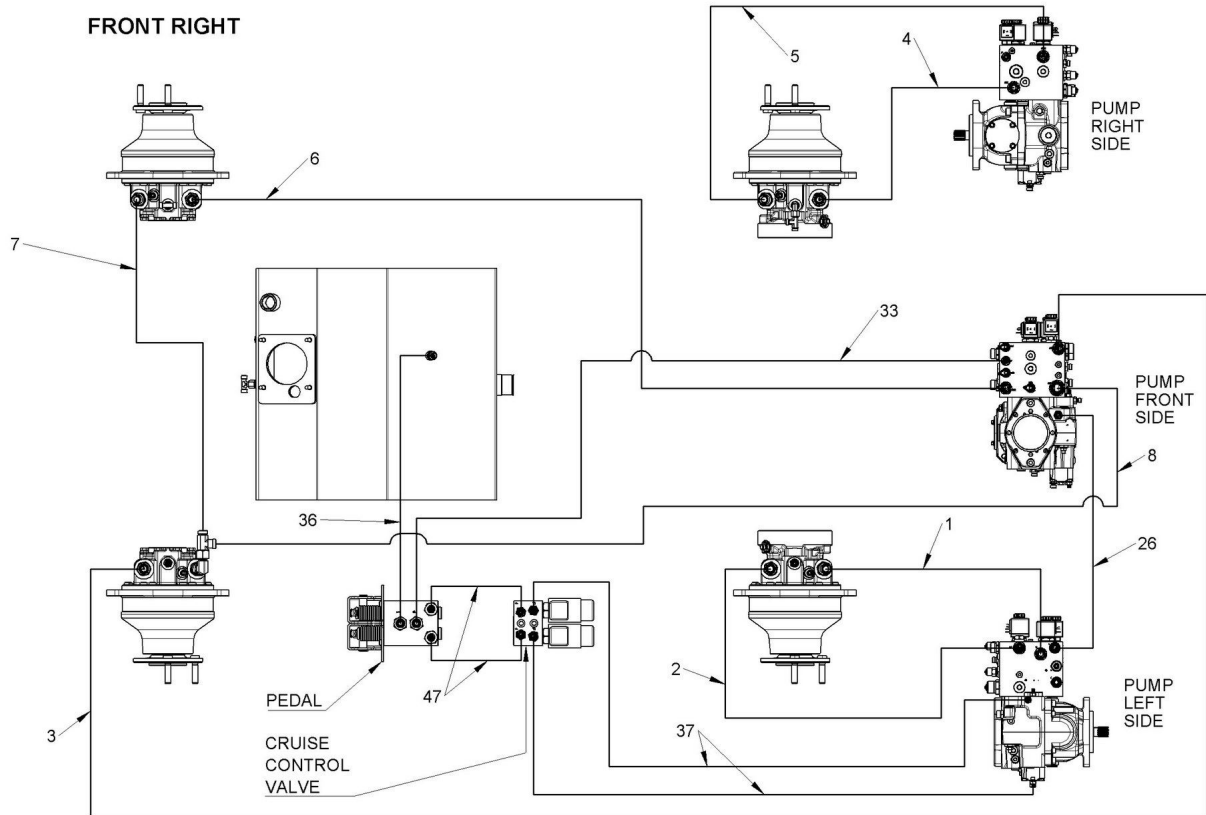
Pos.	Code	Description	Q.ty
1	C810363/03		3.00000
2	C810376/01		2.00000
20	C810521/20	Hose length(mm): 1160 - Pressure rate: 492 Diameter(inc): 3/8 - Phase: 1st fitting: F90 12L - 2nd fitting: FD 12L Protection:PVC	1.00000
21	C810521/21	Hose length(mm): 1080 - Pressure rate: 492 Diameter(inc): 3/8 - Phase: 1st fitting: F90 12L - 2nd fitting: FD 12L Protection:PVC	1.00000
38	C810521/38	Hose length(mm): 1370 - Pressure rate: 462 Diameter(inc): 5/8 - Phase: 1st fitting: F90 18L - 2nd fitting: MD 18L Protection:PVC	1.00000
39	C810521/39	Hose length(mm): 1330 - Pressure rate: 462 Diameter(inc): 5/8 - Phase: 1st fitting: F90 18L - 2nd fitting: MD 18L Protection:PVC	1.00000
40	C810521/40		2.00000



Draft and part list report
Serial n / code M354995 / C968100
Description MULTIONE 11.6K STAGE 5

Hose length(mm): 1520 - Pressure rate: 492
Diameter(inc): 3/8 - Phase:
1st fitting: F90 12L - 2nd fitting: MD 12L
Protection:PVC

41	C810521/41	Hose length(mm): 1390 - Pressure rate: PILOT Diameter(inc): 3/8 - Phase: 1st fitting: F90 12L - 2nd fitting: MD 12L Protection:PVC	1.00000
42	C810521/42	Hose length(mm): 1200 - Pressure rate: 462 Diameter(inc): 5/8 - Phase: 1st fitting: MD 18L - 2nd fitting: F45 18L Protection:PVC	1.00000
43	C810521/43	Hose length(mm): 1200 - Pressure rate: 462 Diameter(inc): 5/8 - Phase: 1st fitting: MD 18L - 2nd fitting: F45 18L Protection:PVC	1.00000
44	C810521/44	Hose length(mm): 1320 - Pressure rate: PILOT Diameter(inc): 3/8 - Phase: 1st fitting: MD 12L - 2nd fitting: F45 12L Protection:PVC	1.00000
45	C810521/45	Hose length(mm): 1150 - Pressure rate: 492 Diameter(inc): 3/8 - Phase: 1st fitting: MD 12L - 2nd fitting: F90 12L Protection:PVC	1.00000
46	C810521/46	Hose length(mm): 1650 - Pressure rate: 492 Diameter(inc): 3/8 - Phase: 1st fitting: MD 12L - 2nd fitting: F45 12L Protection:PVC	1.00000
47	C810536	BSP BOOM HOSES M1 11 SERIES	1.00000

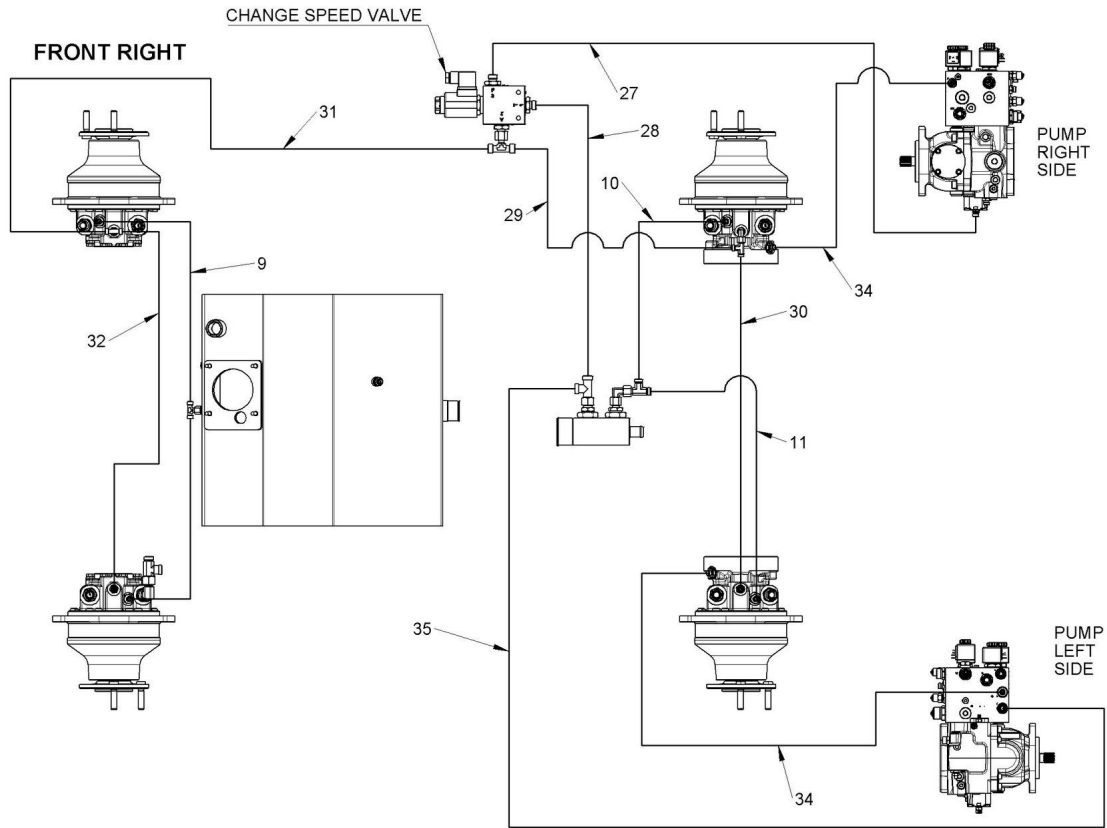


Component list [TAV. 59 WHEEL MOTORS HYDRAULIC DIAGRAM]

Pos.	Code	Description	Q.ty
1	C810521/01	Hose length(mm): 400 - Pressure rate: 3SK Diameter(inc): 5/8 - Phase:15 1st fitting: F90 16S - 2nd fitting: F90 16S Protection:	1.00000
2	C810521/02	Hose length(mm): 350 - Pressure rate: 3SK Diameter(inc): 5/8 - Phase:320 1st fitting: F90 16S - 2nd fitting: F90 16S Protection:	1.00000
3	C810521/03	Hose length(mm): 1820 - Pressure rate: 3SK Diameter(inc): 5/8 - Phase:0 1st fitting: F45 16S - 2nd fitting: F90 16S Protection:	1.00000
4	C810521/04	Hose length(mm): 330 - Pressure rate: 3SK Diameter(inc): 5/8 - Phase:340 1st fitting: F90 16S - 2nd fitting: F90 16S Protection:	1.00000
5	C810521/05	Hose length(mm): 420 - Pressure rate: 3SK Diameter(inc): 5/8 - Phase:45 1st fitting: F90 16S - 2nd fitting: F90 16S	1.00000

Protection:

6	C810521/06	Hose length(mm): 1870 - Pressure rate: 3SK Diameter(inc): 5/8 - Phase: 1st fitting: FD 16S - 2nd fitting: F90 16S Protection:	1.00000
7	C810521/07	Hose length(mm): 540 - Pressure rate: 3SK Diameter(inc): 5/8 - Phase: 1st fitting: F90 16S - 2nd fitting: FD 16S Protection:	1.00000
8	C810521/08	Hose length(mm): 1770 - Pressure rate: 3SK Diameter(inc): 5/8 - Phase: 1st fitting: F90 16S - 2nd fitting: FD 20S Protection:	1.00000
26	C810521/26	Hose length(mm): 450 - Pressure rate: 492 Diameter(inc): 1/4 - Phase: 1st fitting: FD 12L - 2nd fitting: F90 12L Protection:	1.00000
33	C810521/33	Hose length(mm): 1150 - Pressure rate: 492 Diameter(inc): 1/4 - Phase: 1st fitting: FD 8L - 2nd fitting: F90 8L Protection:	1.00000
36	C810521/36	Hose length(mm): 280 - Pressure rate: PILOT Diameter(inc): 1/4 - Phase:220 1st fitting: F90 8L - 2nd fitting: F90 8L Protection:	1.00000
37	C810521/37	Hose length(mm): 1470 - Pressure rate: R7 Diameter(inc): 1/4 - Phase: 1st fitting: F90 8L - 2nd fitting: FD 8L Protection:	2.00000
47	C810521/47	Hose length(mm): 370 - Pressure rate: 1SC Diameter(inc): 1/4 - Phase: 1st fitting: FD 8L - 2nd fitting: F90 8L Protection:	2.00000



Component list [TAV. 60 LEAKING AND CHANGE SPEED HYDRAULIC DIAGRAM]

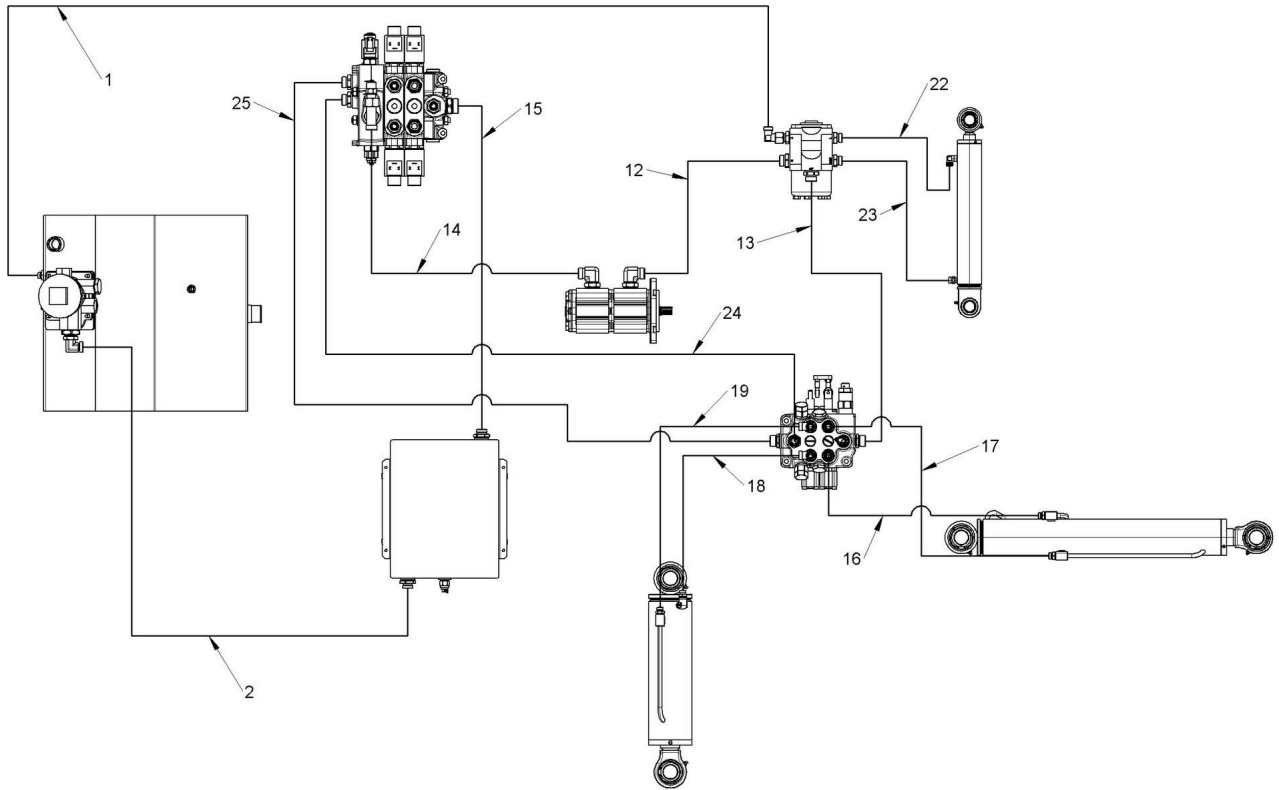
Pos.	Code	Description	Q.ty
9	C810521/09	Hose length(mm): 300 - Pressure rate: 492 Diameter(inc): 1/4 - Phase: 1st fitting: F90 8L - 2nd fitting: FD 8L Protection:	2.00000
10	C810521/10	Hose length(mm): 600 - Pressure rate: R7 Diameter(inc): 1/4 - Phase:270 1st fitting: F90 8L - 2nd fitting: F90 8L Protection:	1.00000
11	C810521/11	Hose length(mm): 700 - Pressure rate: R7 Diameter(inc): 1/4 - Phase: 1st fitting: F90 8L - 2nd fitting: FD 8L Protection:	1.00000
27	C810521/27	Hose length(mm): 600 - Pressure rate: 492 Diameter(inc): 1/4 - Phase:180 1st fitting: F90 8L - 2nd fitting: F90 8L Protection:	1.00000
28	C810521/28	Hose length(mm): 270 - Pressure rate: 492 Diameter(inc): 1/4 - Phase: 1st fitting: F90 8L - 2nd fitting: FD 12L	1.00000



Draft and part list report
Serial n / code M354995 / C968100
Description MULTIONE 11.6K STAGE 5

Protection:

29	C810521/29	Hose length(mm): 450 - Pressure rate: 492 Diameter(inc): 1/4 - Phase: 1st fitting: F90 8L - 2nd fitting: FD 8L Protection:	1.00000
30	C810521/30	Hose length(mm): 640 - Pressure rate: 492 Diameter(inc): 1/4 - Phase: 1st fitting: FD 8L - 2nd fitting: F90 8L Protection:	1.00000
31	C810521/31	Hose length(mm): 1400 - Pressure rate: 492 Diameter(inc): 1/4 - Phase:80 1st fitting: F45 8L - 2nd fitting: F90 8L Protection:	1.00000
32	C810521/32	Hose length(mm): 640 - Pressure rate: 492 Diameter(inc): 1/4 - Phase:90 1st fitting: F90 8L - 2nd fitting: F90 8L Protection:	1.00000
34	C810521/34	Hose length(mm): 450 - Pressure rate: 492 Diameter(inc): 1/4 - Phase:0 1st fitting: F90 8L - 2nd fitting: F45 8L Protection:	2.00000
35	C810521/35	Hose length(mm): 800 - Pressure rate: 492 Diameter(inc): 1/4 - Phase: 1st fitting: F90 12L - 2nd fitting: FD 12L Protection:	1.00000



Component list [TAV. 61 SERVICES HYDRAULIC DIAGRAM]

Pos.	Code	Description	Q.ty
1	C810522/01		1.00000
2	C810522/02		1.00000
12	C810521/12	Hose length(mm): 2000 - Pressure rate: 492 Diameter(inc): 1/2 - Phase: 1st fitting: FD 15L - 2nd fitting: F90 15L Protection:	1.00000
13	C810521/13	Hose length(mm): 1750 - Pressure rate: 492 Diameter(inc): 1/2 - Phase: 1st fitting: F45 15L - 2nd fitting: FD 15L Protection:	1.00000
14	C810521/14	Hose length(mm): 1800 - Pressure rate: 492 Diameter(inc): 1/2 - Phase: 1st fitting: FD 15L - 2nd fitting: F90 15L Protection:	1.00000
15	C810521/15	Hose length(mm): 300 - Pressure rate: R4 Diameter(inc): 3/4 - Phase:180 1st fitting: F90 22L - 2nd fitting: F90 22L Protection:	1.00000
16	C810521/16		1.00000



Draft and part list report
Serial n / code M354995 / C968100
Description MULTIONE 11.6K STAGE 5

Hose length(mm): 980 - Pressure rate: 492
Diameter(inc): 3/8 - Phase:
1st fitting: F90 12L - 2nd fitting: FD 12L
Protection:

17	C810521/17	Hose length(mm): 980 - Pressure rate: 492 Diameter(inc): 3/8 - Phase: 1st fitting: F90 12L - 2nd fitting: FD 12L Protection:	1.00000
----	------------	---	---------

18	C810521/18	Hose length(mm): 1600 - Pressure rate: 492 Diameter(inc): 3/8 - Phase: 1st fitting: FD 12L - 2nd fitting: FD 12L Protection:	1.00000
----	------------	---	---------

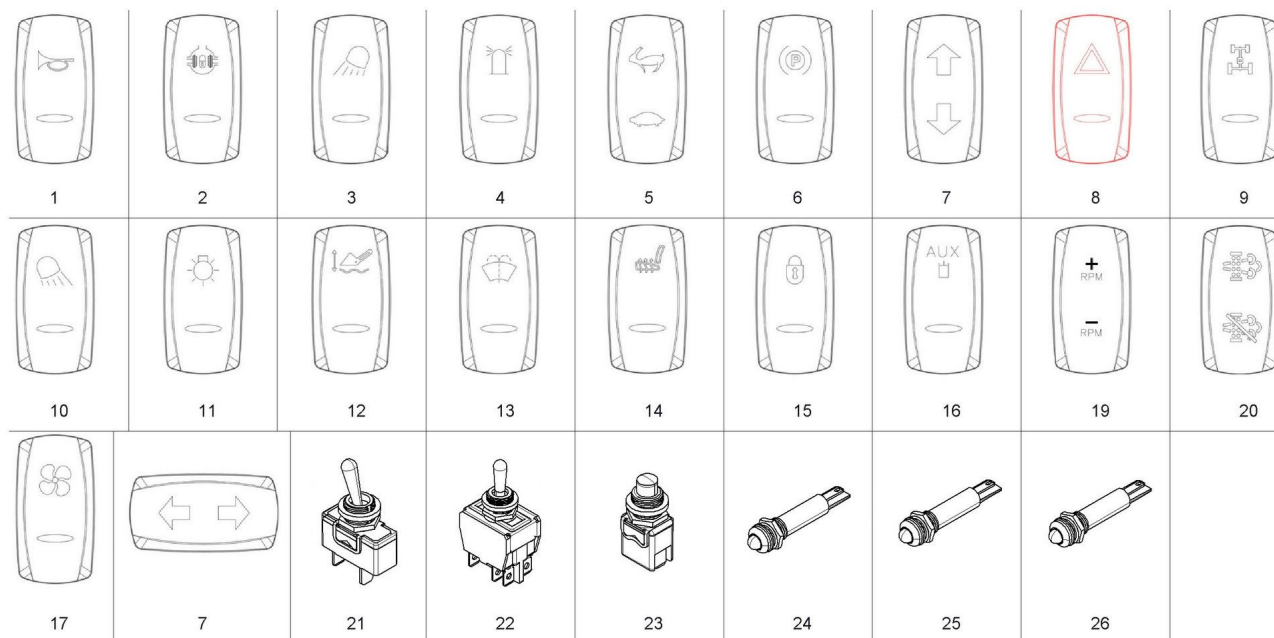
19	C810521/19	Hose length(mm): 1750 - Pressure rate: 492 Diameter(inc): 3/8 - Phase: 1st fitting: FD 12L - 2nd fitting: FD 12L Protection:	1.00000
----	------------	---	---------

22	C810521/22	Hose length(mm): 1600 - Pressure rate: 492 Diameter(inc): 1/4 - Phase: 1st fitting: F90 12L - 2nd fitting: FD 12L Protection:	1.00000
----	------------	--	---------

23	C810521/23	Hose length(mm): 1200 - Pressure rate: 492 Diameter(inc): 1/4 - Phase:180 1st fitting: F90 12L - 2nd fitting: F90 12L Protection:	1.00000
----	------------	--	---------

24	C810521/24	Hose length(mm): 270 - Pressure rate: 492 Diameter(inc): 1/2 - Phase:270 1st fitting: F45 15L - 2nd fitting: F90 15L Protection:	1.00000
----	------------	---	---------

25	C810521/25	Hose length(mm): 300 - Pressure rate: 492 Diameter(inc): 1/2 - Phase:0 1st fitting: F90 15L - 2nd fitting: F45 15L Protection:	1.00000
----	------------	---	---------



Component list [TAV. 80 ELECTRIC SWITCHES 2ND GEN]

Pos.	Code	Description	Q.ty
1	C038175	COMPLETE HORN SWITCH	1.00000
2	C038176	COMPLETE DBS SWITCH	1.00000
3	C038177	COMPLETE WORK LIGHT SWITCH	1.00000
4	C038178	COMPLETE FLASHING BEACON SWITCH	1.00000
5	C038179	COMPLETE CHANGE SPEED SWITCH	1.00000
6	C038180	COMPLETE PARKING BRAKE SWITCH	1.00000
7	C038181	COMPLETE ELECTRIC SOCKET / LIGHT DIRECTION SWITCH	1.00000
8	C038183	COMPLETE WARNING LIGHT SWITCH	1.00000
9	C038203	COMPLETE TORQUE DIVIDER SWITCH	1.00000
10	C038204	COMPLETE AUXILIARY WORK LIGHT SWITCH	1.00000
11	C038205	COMPLETE ROAD LIGHT SWITCH	1.00000
12	C038206	COMPLETE FLOATING SYSTEM SWITCH	1.00000
13	C038208	COMPLETE WINDSCREEN WASHER SWITCH	1.00000
14	C038209	COMPLETE HEATING SEAT SWITCH	1.00000
15	C038212	COMPLETE ATTACHMENT RELEASE SWITCH	1.00000
16	C038213	COMPLETE FRONT AUX OUTLET SWITCH	1.00000
17	C038214	COMPLETE FAN SWITCH	1.00000



Draft and part list report
Serial n / code M354995 / C968100
Description MULTIONE 11.6K STAGE 5

19	C038215	COMPLETE RPM +/- SWITCH	1.00000
20	C038216	COMPLETE DPF CLEANER SWITCH	1.00000
21	FF180/30.34.08956	LEVER SWITCH ON-OFF, 2 TERMINAL, W/RUBBER	1.00000
22	FF180/30.34.10306	LEVER SWITCH ON-OFF-ON, 6 TERMINAL, W/RUBBER	1.00000
23	C034419	0-1R HORN SWITCH	1.00000
24	C034420	GREEN LED INDICATOR	1.00000
25	C034422	YELLOW LED INDICATOR	1.00000
26	C034423	RED LED INDICATOR	1.00000