

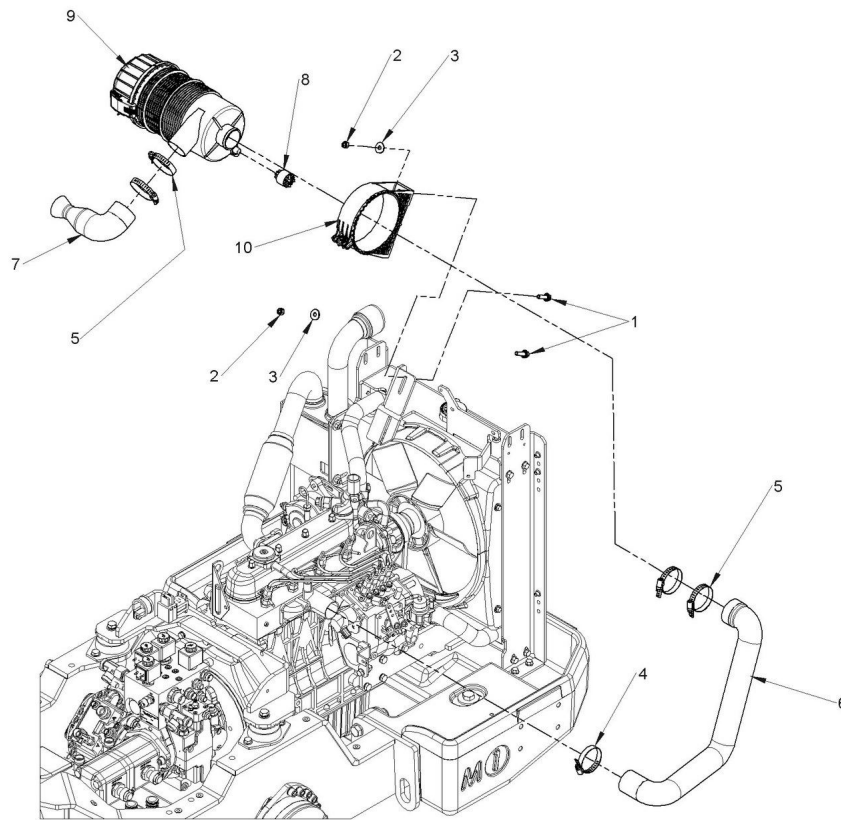
List of machine draft

N.	Draft
28	TAV. 27 AIR FILTER
1	TAV. 00 FILTERS
2	TAV. 01 STAGE5 ENGINE AND SUPPORTS
3	TAV. 02 STAGE3 ENGINE AND SUPPORTS
4	TAV. 03 PUMPS
5	TAV. 04 ONEDRIVE
6	TAV. 05 TELESCOPIC BOOM
7	TAV. 06 PEDALS
8	TAV. 07 ENGINE COOLER
9	TAV. 08 OIL COOLER
10	TAV. 09 MAIN FRAME
11	TAV. 10 WHEEL MOTORS
12	TAV. 11 WHEEL MOTORS MOUNTING
13	TAV. 12 THREAD INSERT
14	TAV. 13 ENGINE FIXING
15	TAV. 14 PEDALS FIXING
16	TAV. 15 CYLINDERA AND POWER STEERING
17	TAV. 16 SUCTION COLLECTOR
18	TAV. 17 OIL SUCTION HOSES
19	TAV. 18 2 SPEEDS VALVE
20	TAV. 19 ENGINE COOLER FRAME
21	TAV. 20 MUFFLER
22	TAV. 21 DISTRIBUTORS
23	TAV. 22 OIL COOLER
24	TAV. 23 ELECTRIC WIRE FIXING
25	TAV. 24 FRONT FITTINGS
26	TAV. 25 REAR FITTINGS
27	TAV. 26 BATTERY
29	TAV. 28 FUEL TANK
30	TAV. 29 FUEL HOSES
31	TAV. 30 SEAT SUPPORT
32	TAV. 31 THROTTLE AND RELAYS
33	TAV. 32 WHEELS
34	TAV. 33 TELESCOPIC BOOM
35	TAV. 34 TILTING PLATE
36	TAV. 35 COUPLING PLATE
37	TAV. 36 ROLLBAR
38	TAV. 37 REAR COVER SUPPORT
39	TAV. 38 REAR MUDGUARDS SUPPORT



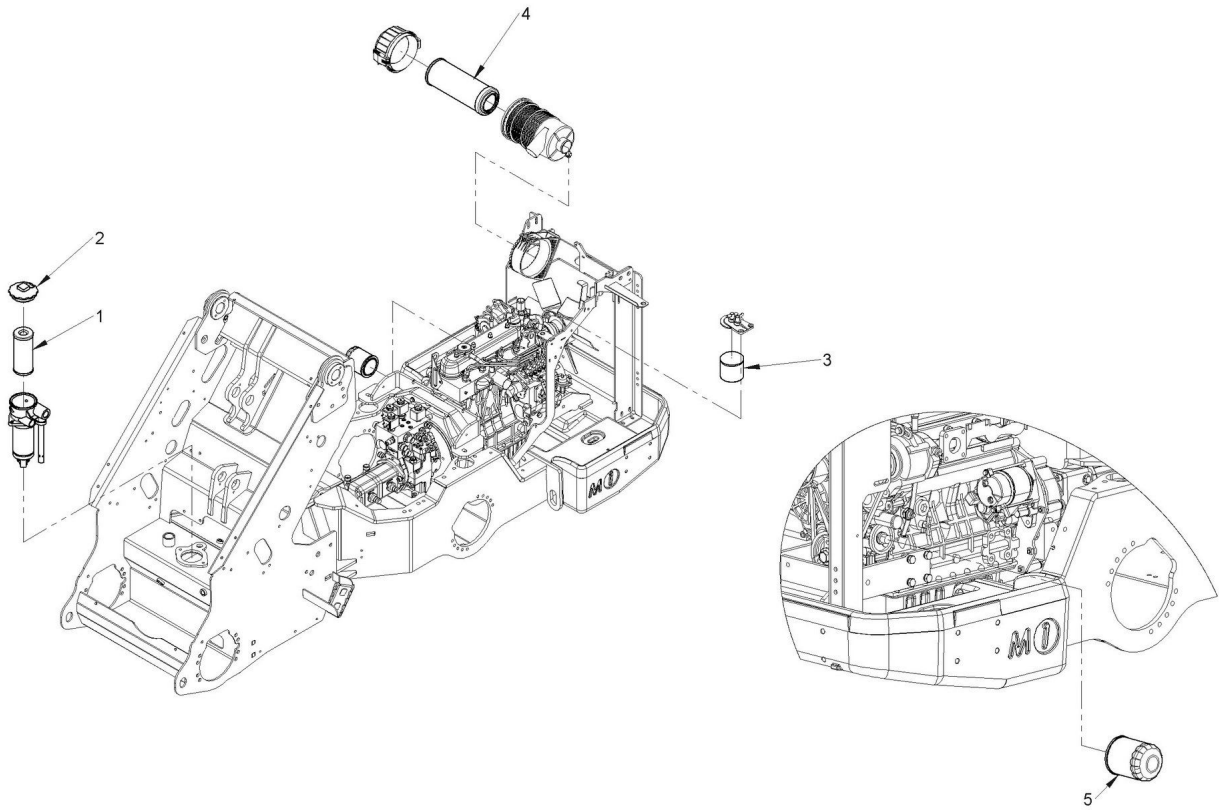
Draft and part list report
Serial n / code M364676 / C963030
Description MULTIONE 8.4SK STAGE3

40	TAV. 39 OVER ARTICULATIO NAND PUMPS COVER
41	TAV. 40 REAR LEFT AND RIGHT SIDE AND ENGINE COOLER NET
42	TAV. 41 OVER ENGINE COVER
43	TAV. 42 REAR MUDGUARDS
44	TAV. 43 FEET PLATE
45	TAV. 44 REAR CABIN COVER
46	TAV. 45 DOOR PROFILE AND UNDERSEAT
47	TAV. 46 FRONT COVER
48	TAV. 47 FRONT MUDGUARD
49	TAV. 48 FRONT LEFT COVER
50	TAV. 49 FRONT RIGHT COVER
51	TAV. 50 RIGHT SIDE CONSOLE
52	TAV. 51 WORKLIGHT SUPPORT COVER
53	TAV. 52 WIND SCREEN BASE SUPPORT
54	TAV. 53 UNDER BOOM COVER
55	TAV. 54 SEAT
56	TAV. 55 BUFFER AND BOOM PROTECTION
57	TAV. 56 ELECTRIC PARTS
58	TAV. 57 TRANSMISSION HYDRAULIC DIAGRAM
59	TAV. 58 CHANGE SPEED HYDRAULIC DIAGRAM
60	TAV. 59 SERVICES HYDRAULIC DIAGRAM
61	TAV. 60 BOOM HOSES
62	TAV. 80 ELECTRIC SWITCHES 2ND GEN



Component list [TAV 27 AIR FILTER]

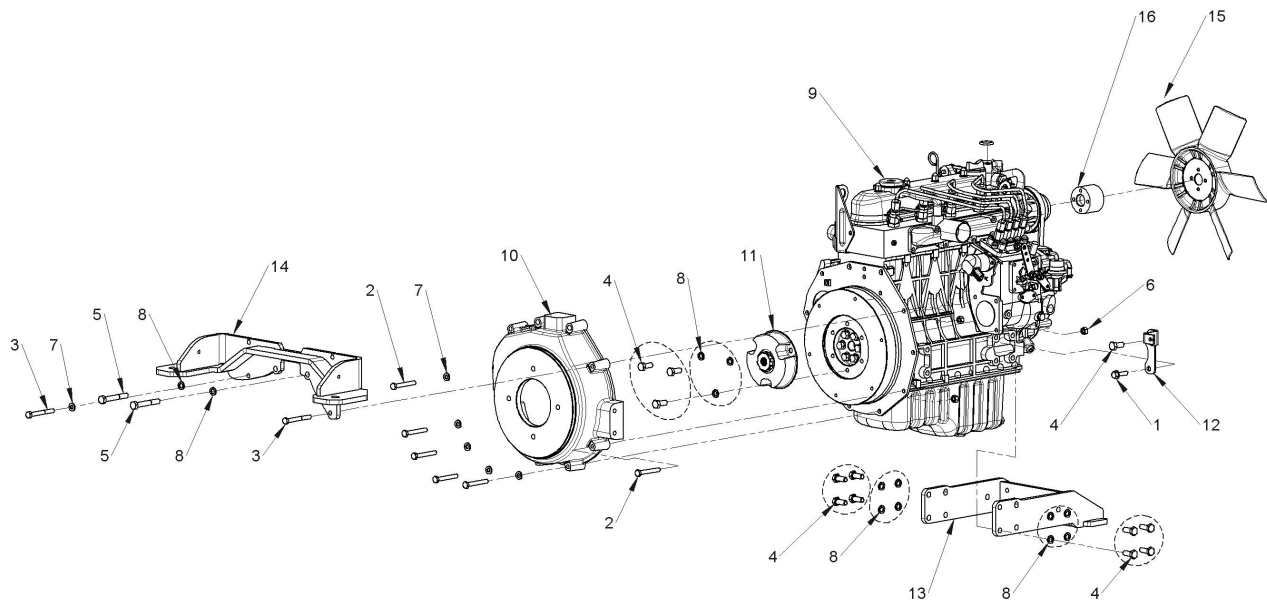
Pos.	Code	Description	Q.ty
1	C019204	DIN 6921 M8x30 FLANGED HEAD SCREW	2.00000
2	C021502	SLOTTED AND CASTLE HEXAGON NUTS M8 DIN980	2.00000
3	C023100	UNI 6593 LARGE WASHER M8 - 8,5x24x2	2.00000
4	C029031	STAINLESS STEEL CLAMP 40-60 BELT 12	3.00000
5	C029034	STAINLESS STEEL CLAMP 60-80 BELT 12	2.00000
6	C036064	AIR INTAKE RUBBER HOSE V1505	1.00000
7	C036065	AIR INTAKE SILENCER	1.00000
8	C036654	AIR FILTER PRESSURE SWITCH	1.00000
9	C039055	5''' AIR FILTER BODY	1.00000
10	C039057	CLAMP FOR AIR FILTER 5'''	1.00000



Component list [TAV. 00 FILTERS]

Pos.	Code	Description	Q.ty
1	C036627	HYDRAULIC OIL FILTER CARTRIDGE H160	1.00000
2	C036628	COMBINED OIL FILTER H=300 mm	1.00000
3	C036649	FUEL FILTER CARTRIDGE FOR KUBOTA D1305 V1505	1.00000
4	C039060	5" AIR FILTER CARTRIDGE AFTER 07/2005	1.00000
5	C039158	KUBOTA D1305 V1505 ENGINE OIL FILTER	1.00000

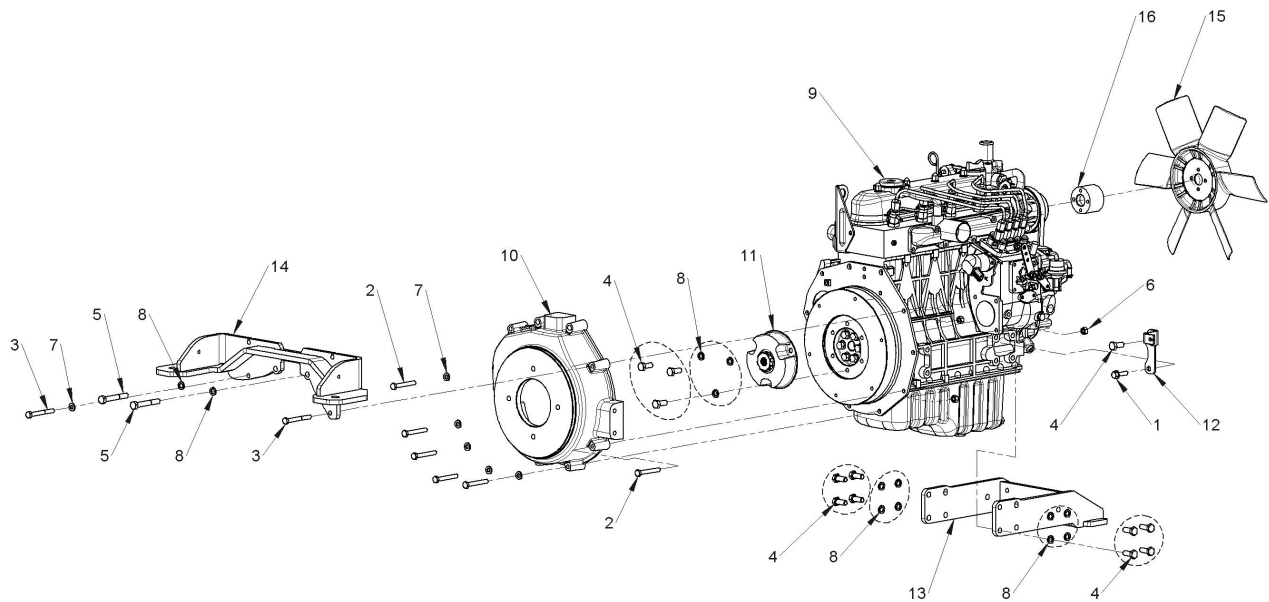
ENGINE TYPE STAGE5, 18 KW (25HP)



Component list [TAV. 01 STAGE5 ENGINE AND SUPPORTS]

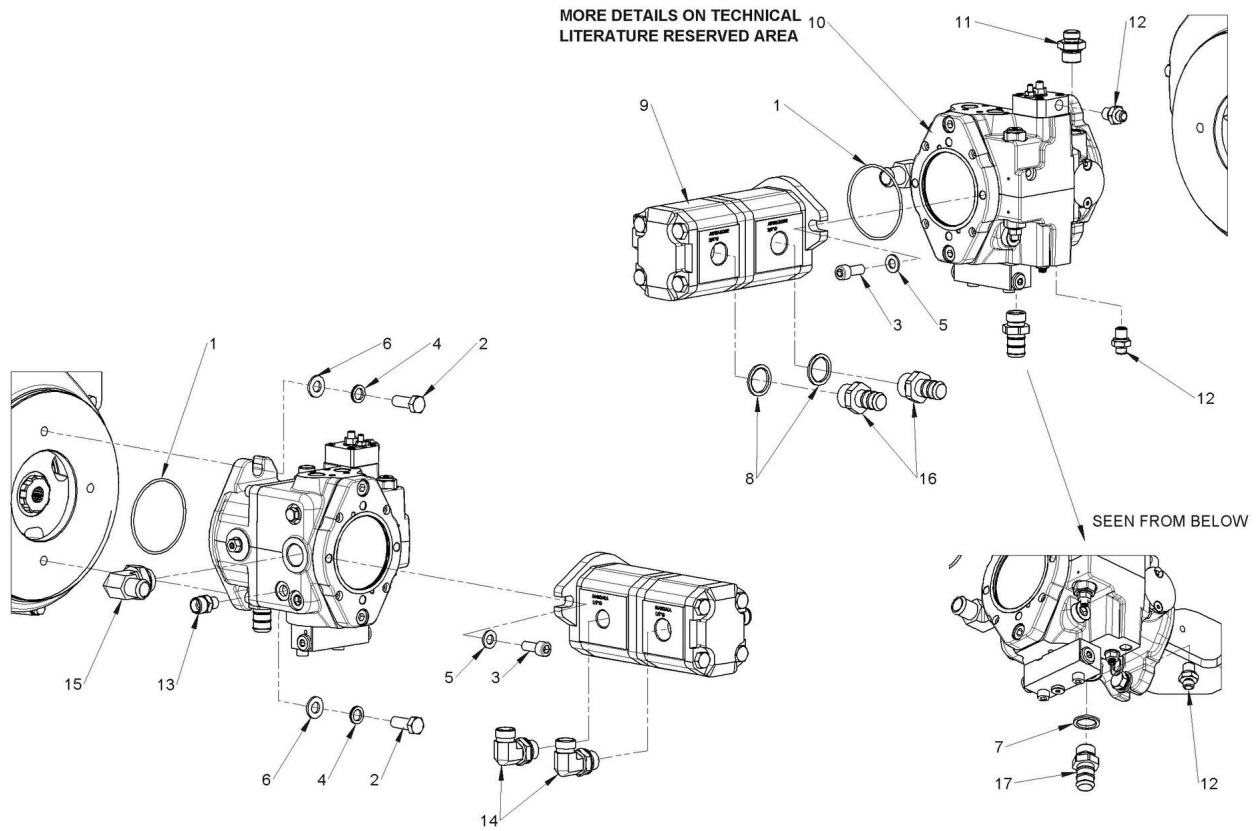
Pos.	Code	Description	Q.ty
1	C019204	DIN 6921 M8x30 FLANGED HEAD SCREW	1.00000
2	C020080	HEXAGON HEAD SCREW M8x60 UNI 5739	6.00000
3	C020086	HEXAGON HEAD BOLT 8.8 M8x70 ISO 4014	2.00000
4	C020259	UNI5740 HEXAGON HEAD SCREW M10x25 FINE THREAD	12.00000
5	C020299	EN ISO 8765 HEXAGON HEAD SCREW M10x70 FINE THREAD	2.00000
6	C021502	SLOTTED AND CASTLE HEXAGON NUTS M8 DIN980	3.00000
7	C023041	M8 NORD LOCK WASHER	6.00000
8	C023042	M10 NORD LOCK WASHER	13.00000
9	C039241	KUBOTA DIESEL ENGINE V1505-25HP STAGEV	1.00000
10	C039517	SAE B KOBUTA PUMP FLANGE	1.00000
11	C039548	Z13 PUMP JOINT KUBOTA 05SERIES	1.00000
12	C285113	THROTTLE WIRE BRACKET ON ENGINE	1.00000
13	C285125	REAR ENGINE SUPPORT	1.00000
14	C285900	FRONT ENGINE SUPPORT	1.00000
15	FF162/16213-74111	Ø360 KUBOTA FAN	1.00000
16	FF162/6101703674152_001	41mm FAN SPACER	1.00000

ENGINE TYPE STAGE3, 27 KW (37HP)



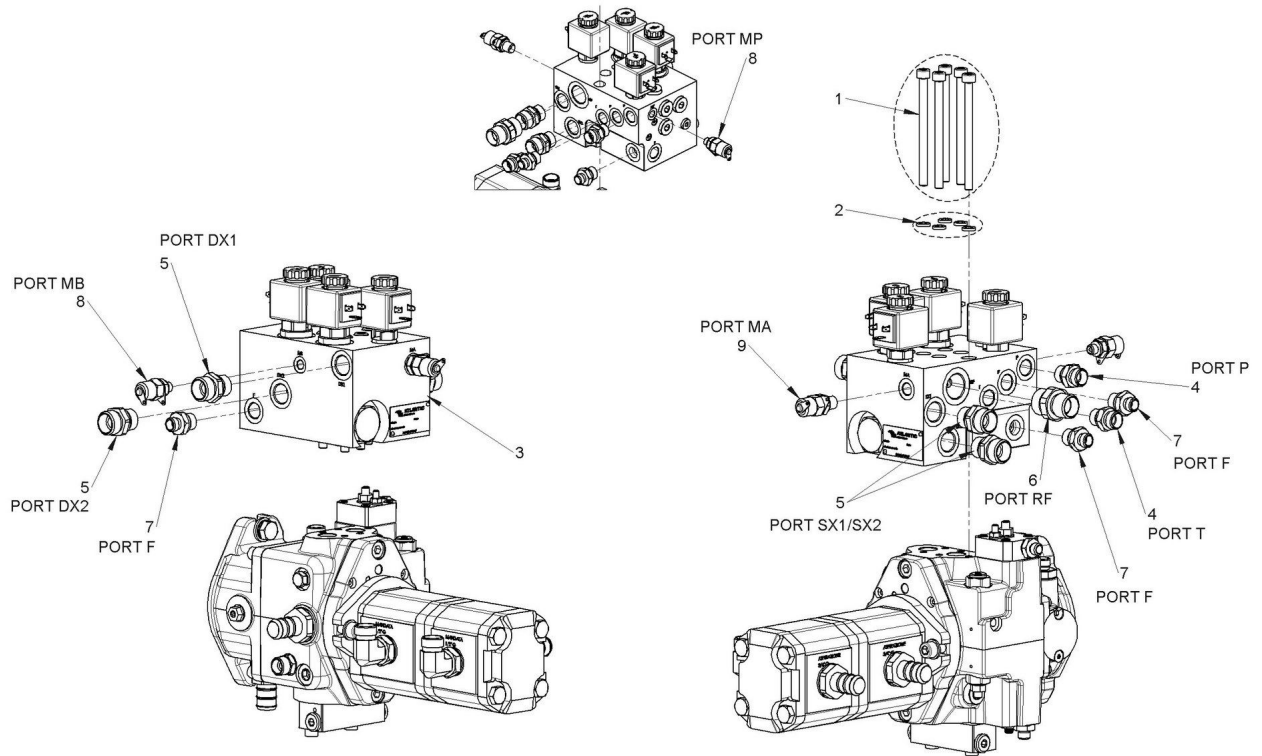
Component list [TAV. 02 STAGE3 ENGINE AND SUPPORTS]

Pos.	Code	Description	Q.ty
1	C019204	DIN 6921 M8x30 FLANGED HEAD SCREW	1.00000
2	C020080	HEXAGON HEAD SCREW M8x60 UNI 5739	6.00000
3	C020086	HEXAGON HEAD BOLT 8.8 M8x70 ISO 4014	2.00000
4	C020259	UNI5740 HEXAGON HEAD SCREW M10x25 FINE THREAD	12.00000
5	C020299	EN ISO 8765 HEXAGON HEAD SCREW M10x70 FINE THREAD	2.00000
6	C021502	SLOTTED AND CASTLE HEXAGON NUTS M8 DIN980	3.00000
7	C023041	M8 NORD LOCK WASHER	6.00000
8	C023042	M10 NORD LOCK WASHER	13.00000
9	C039240	KUBOTA DIESEL ENGINE V1505-37HP	1.00000
10	C039517	SAE B KOBUTA PUMP FLANGE	1.00000
11	C039548	Z13 PUMP JOINT KUBOTA 05SERIES	1.00000
12	C285113	THROTTLE WIRE BRACKET ON ENGINE	1.00000
13	C285125	REAR ENGINE SUPPORT	1.00000
14	C285900	FRONT ENGINE SUPPORT	1.00000
15	FF162/16213-74111	Ø360 KUBOTA FAN	1.00000
16	FF162/6101703674152_001	41mm FAN SPACER	1.00000



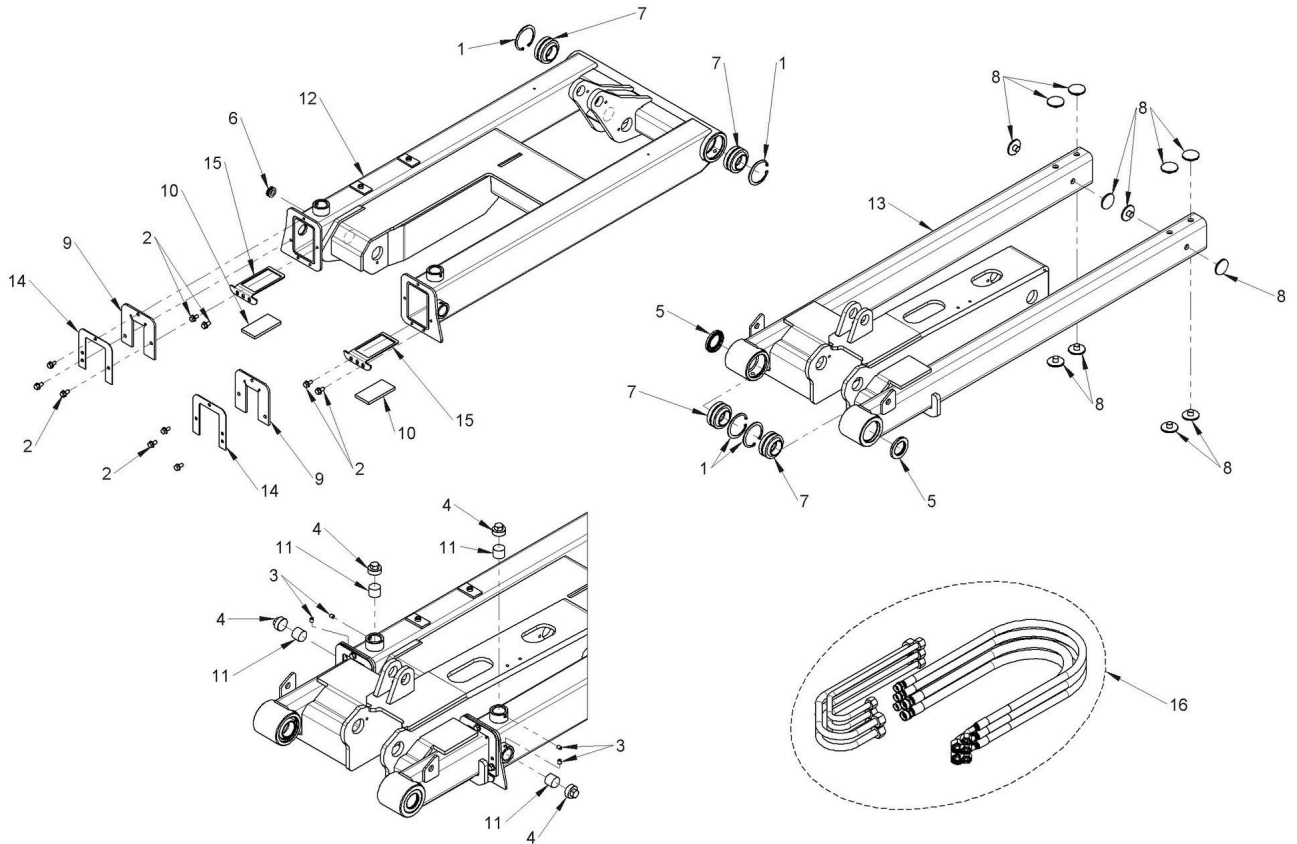
Component list [TAV. 03 PUMPS]

Pos.	Code	Description	Q.ty
1	C016001	ORING 82,22X2,62	1.00000
2	C020132	UNI 5739 M12x30 HEX HEAD SCREW	2.00000
3	C020219	UNI EN ISO 4762 M10x25 HEX SOCKET HEAD CAP SCREW	2.00000
4	C023043	M12 NORD LOCK WASHER	2.00000
5	C023080	UNI 6592 FLAT WASHER M10 - 10,5x20x2	2.00000
6	C023102	UNI 6592 FLAT WASHER M12 - 13x24x2,5	2.00000
7	C030542	1/2" G BONDED WASHER	1.00000
8	C030543	3/4" G BONDED WASHER	2.00000
9	C030977	11.5+11.5 TWIN GEAR PUMP	1.00000
10	C031388	HYDROSTATIC PUMP 28cc 370BAR - FLANGED	1.00000
11	C033002	MALE-MALE CONNECTOR 1/2" G - 12L	1.00000
12	C033007	MALE-MALE CONNECTOR 1/4" G - 6L	2.00000
13	C033009	MALE-MALE CONNECTOR 1/4" G - 12L	1.00000
14	C033022	90° ELBOW ADJ. MALE 1/2" G - MALE 15L	2.00000
15	C033028	90° ELBOW HOSE FITTING SW.M 3/4" G - 3/4" HOSE	1.00000
16	C033300	STRAIGHT HOSE CONNECTOR 3/4" G F - 3/4" HOSE	2.00000
17	C033301	STRAIGHT HOSE FITTING 1/2" G - 3/4" HOSE	1.00000



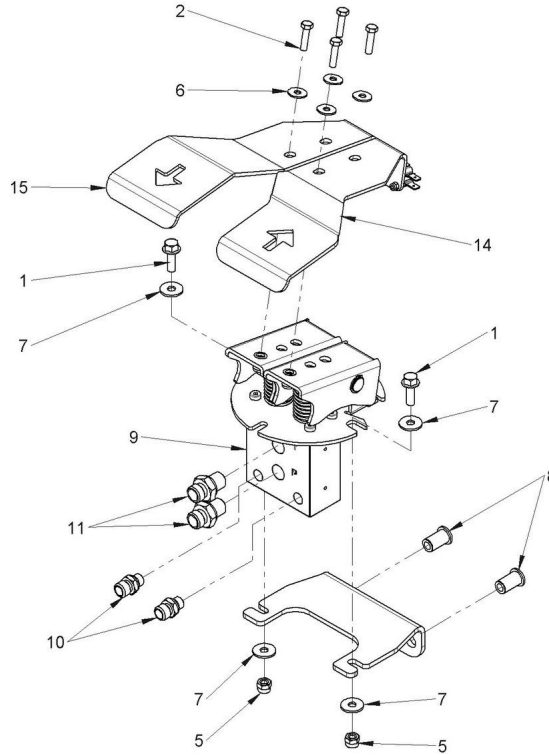
Component list [TAV. 04 ONEDRIVE]

Pos.	Code	Description	Q.ty
1	C020307	VITE TCCEI M8x110 ZB UNI EN ISO 4762	5.00000
2	C023050	GROWER WASHER FOR M8 UNI 1751A	5.00000
3	C030876	ONEDRIVE VALVE, C2	1.00000
4	C033001	MALE-MALE CONNECTOR 3/8" G - 12 L	2.00000
5	C033073	MALE-MALE CONNECTOR 1/2" G - 16S	4.00000
6	C033104	MALE-MALE CONNECTOR 3/4" G - 16S	1.00000
7	C033133	MALE-MALE CONNECTOR 3/8" G - 8L	3.00000
8	C037000	MANOMETER QUICK PLUG 1/8"	2.00000
9	C037001	MANOMETER QUICK PLUG 1/4"	1.00000



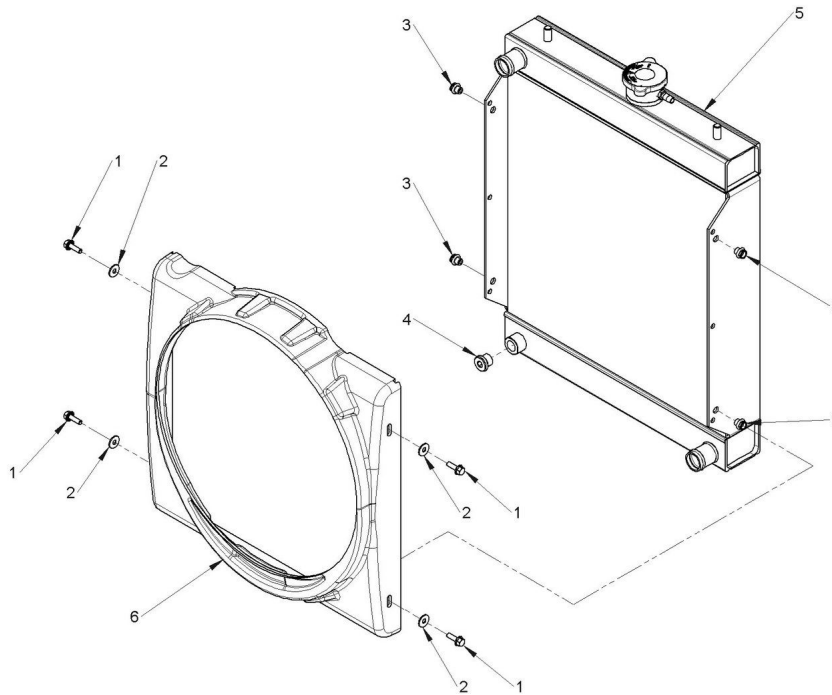
Component list [TAV. 05 TELESCOPIC BOOM]

Pos.	Code	Description	Q.ty
1	C018302	BORES SEEGER RING ĩ68 DIN 472	4.00000
2	C019201	DIN 6921 M8x16 FLANGED HEAD SCREW	10.00000
3	C020571	HEXAGON SOCKET SET SCREW WHIT FLAT POINT M8x10 UNI 5923	4.00000
4	C021413	SETTING HEAD 1" G	4.00000
5	C035077	NBR SHAFT SEAL ĩ40x62x7	2.00000
6	C036039	CLOSED FAIRLEAD Ĕ19	1.00000
7	C037639	GE 40 FO 2RS RADIAL BALL JOINT	4.00000
8	C281633/L	ROUND SLIDE PAD FOR TELESCOPIC ARM M1 5->10	12.00000
9	C281721	TELESCOPIC ARM RUBBER PROTECTION	2.00000
10	C281734/L	SLIDING PAD	2.00000
11	C281859	SLIDING STUD M1 4->10 SERIES	4.00000
12	C282340	TELESCOPIC BOOM FIXED PART	1.00000
13	C282380	TELESCOPIC BOOM MOBILE PART	1.00000
14	C284487	BOOM RUBBER FIXER	2.00000
15	C284488	SLIDING PAD BOOM BRACKET	2.00000
16	C810496	BSP BOOM HOSES M1 6-7-8, SD 6-7-8	1.00000



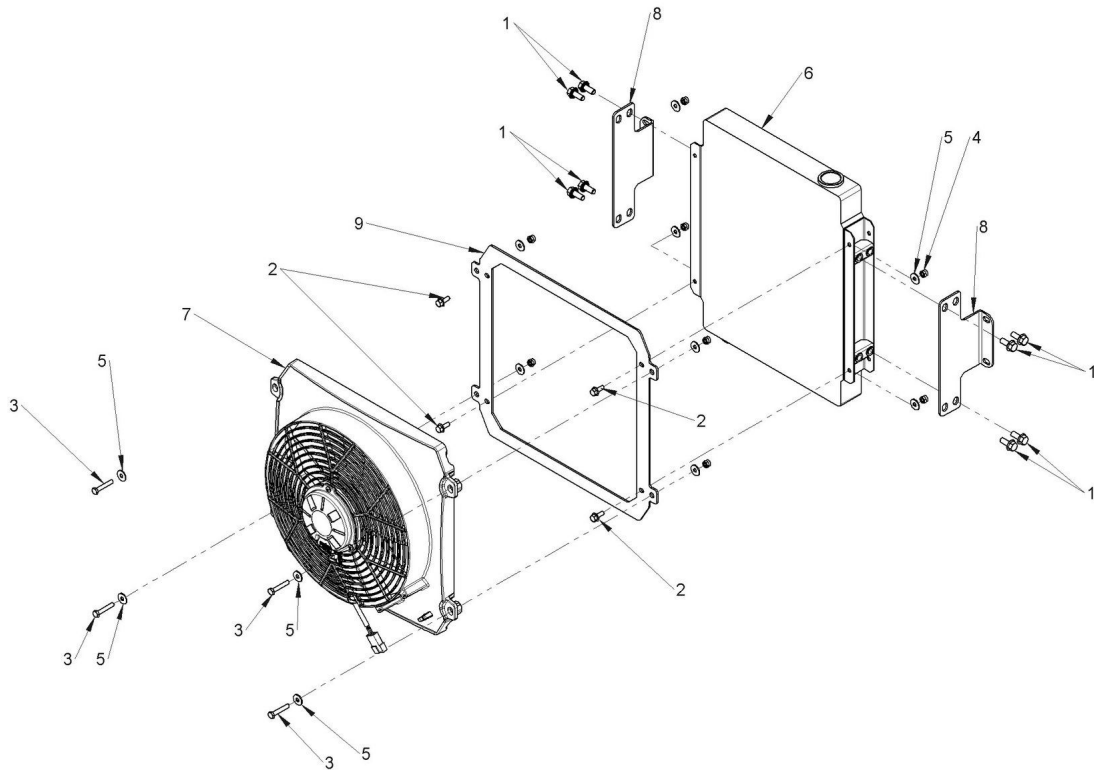
Component list [TAV. 06 PEDALS]

Pos.	Code	Description	Q.ty
1	C019212	DIN 6921 M6x20 FLANGED HEAD SCREW	2.00000
2	C020038	ISO 4017 M5x20 SCREW	4.00000
3	C020279	UNI EN ISO 4762 M3x18 HEX SOCKET HEAD CAP SCREW	4.00000
4	C021101	UNI 7473 SELF-LOCKING NUT M3	4.00000
5	C021104	UNI 7473 SELF-LOCKING NUT M6	2.00000
6	C023098	UNI 6593 LARGE WASHER M5 - 5,5x15x1,5	4.00000
7	C023110	UNI 6593 LARGE WASHER M6 - 6,5x18x1,5	4.00000
8	C028270	THREAD INSERT M8	2.00000
9	C030729	TWIN PEDAL CONTROL BLOCK W/OUT PEDAL	1.00000
10	C033008	MALE-MALE CONNECTOR 1/8" G - 6L	2.00000
11	C033134	MALE-MALE CONNECTOR 1/4" G - 8L	2.00000
12	C034020	MICROSWITCH	2.00000
13	C281766	PEDAL CONTROL BLOCK SUPPORT	1.00000
14	C281767	FORWARD PEDAL	1.00000
15	C281768	BACKWARDS PEDAL	1.00000



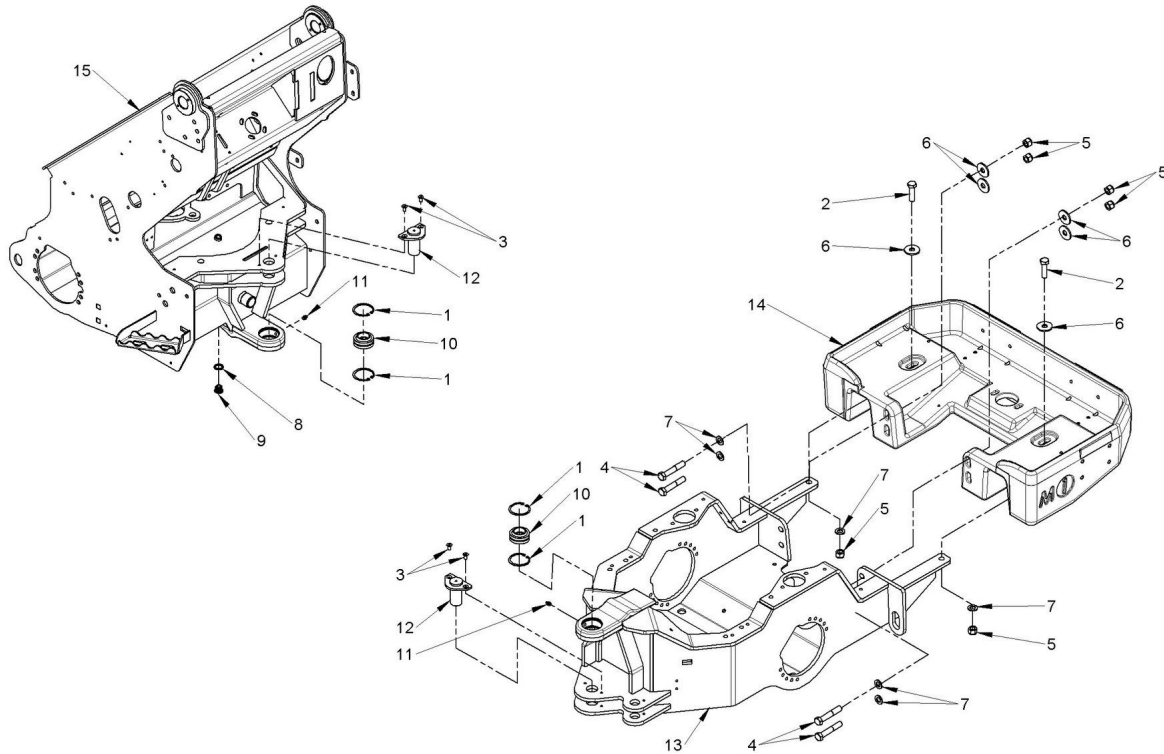
Component list [TAV. 07 ENGINE COOLER]

Pos.	Code	Description	Q.ty
1	C019212	DIN 6921 M6x20 FLANGED HEAD SCREW	4.00000
2	C023110	UNI 6593 LARGE WASHER M6 - 6,5x18x1,5	4.00000
3	C028271	THREAD INSERT M6	4.00000
4	C030381	MALE PLUG 3/8" G	1.00000
5	C030620	ENGINE WATER COOLER	1.00000
6	C041668	THERMOFORMED RADIATOR CONVEYOR	1.00000



Component list [TAV. 08 OIL COOLER]

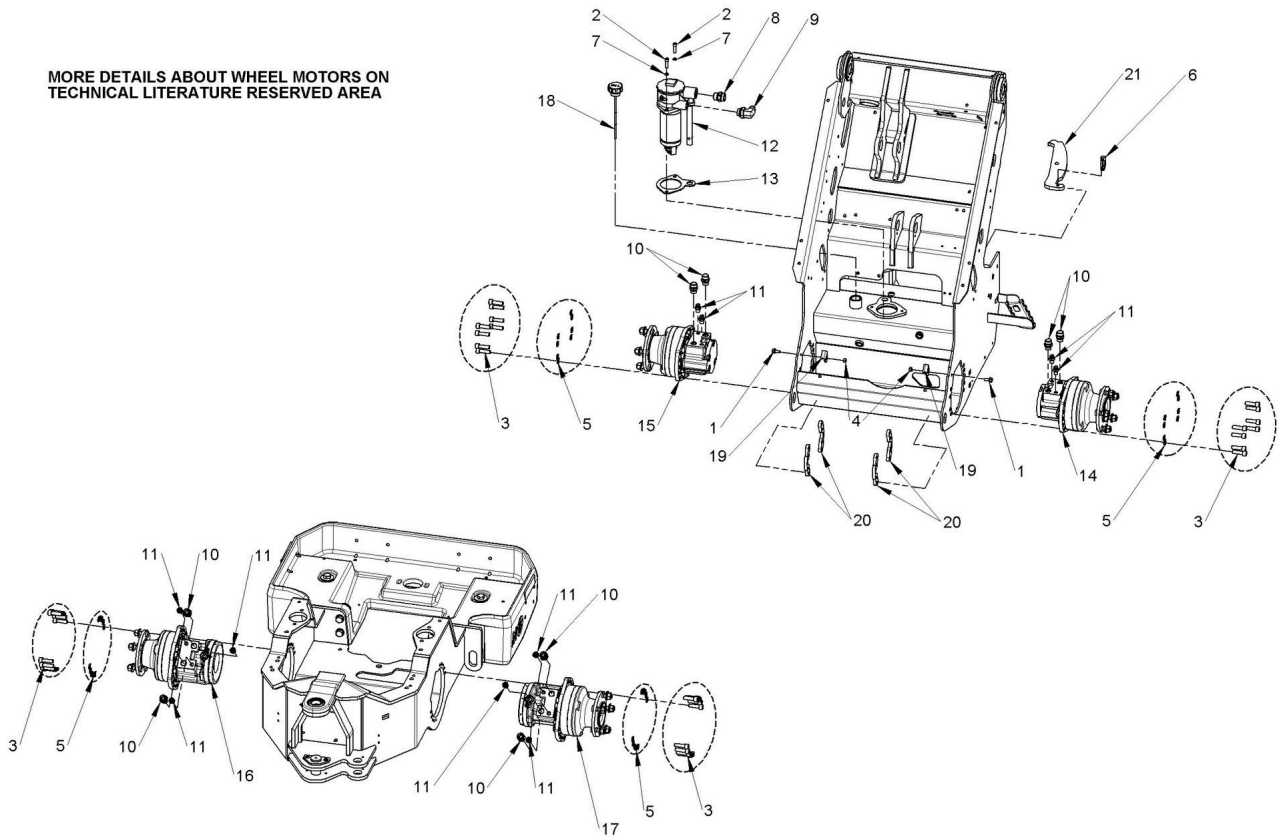
Pos.	Code	Description	Q.ty
1	C019202	DIN 6921 M8x20 FLANGED HEAD SCREW	8.00000
2	C019211	DIN 6921 M6x16 FLANGED HEAD SCREW	4.00000
3	C020054	HEXAGON HEAD SCREW M6x35 ZB UNI 4017	4.00000
4	C021104	UNI 7473 SELF-LOCKING NUT M6	8.00000
5	C023110	UNI 6593 LARGE WASHER M6 - 6,5x18x1,5	12.00000
6	C030588	OIL COOLER FOR MULTIONE S/SL800 SERIES	1.00000
7	C034002	SUCTION ELETTRIC FAN Ø305	1.00000
8	C272049	BRACKET OIL COOLER	2.00000
9	C272050	ELETTROFAN SUPPORT	1.00000



Component list [TAV. 09 MAIN FRAME]

Pos.	Code	Description	Q.ty
1	C018310	BORES SEEGER RING Ø62 DIN 472	4.00000
2	C020141	UNI 5737 M16x55 HEX HEAD SCREW	2.00000
3	C020227	UNI 5933 M8x18 HEX SOCKET COUNTERSUNK CAP SCREW	4.00000
4	C020357	HEXAGONAL HEAD SCREW M16x90 ISO 4014	4.00000
5	C021109	UNI 7473 SELF-LOCKING NUT M16	6.00000
6	C023138	UNI 6593 LARGE WASHER M16 - 17x48x4	6.00000
7	C023139	UNI 6592 FLAT WASHER M16 - 17x30x3	6.00000
8	C030542	1/2" G BONDED WASHER	1.00000
9	C030610	MAGNETIC MALE PLUG 1/2" G	1.00000
10	C037637	GE 35 FO 2RS RADIAL BALL JOINT	2.00000
11	C090030	GREASER NIPPLE M10x1 UNI 7663A	2.00000
12	C230166	FLANGED PIN Ø35 L=73	2.00000
13	C281600	REAR FRAME	1.00000
14	C281616	BACKWEIGHT FOR M1	1.00000
15	C281660	FRONT FRAME M1 6-7-8	1.00000

MORE DETAILS ABOUT WHEEL MOTORS ON
 TECHNICAL LITERATURE RESERVED AREA



Component list [TAV. 10 WHEEL MOTORS]

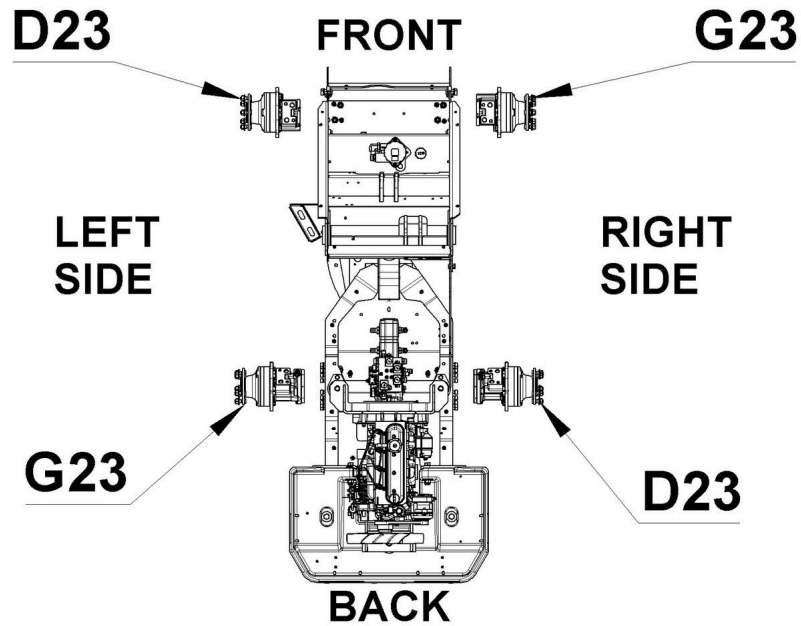
Pos.	Code	Description	Q.ty
1	C019202	DIN 6921 M8x20 FLANGED HEAD SCREW	2.00000
2	C020263	UNI EN ISO 4762 M10x30 HEX SOCKET HEAD CAP SCREW	2.00000
3	C020250	UNI EN ISO 4762 M12x40 HEX SOCKET HEAD CAP SCREW	36.00000
4	C021502	SLOTTED AND CASTLE HEXAGON NUTS M8 DIN980	2.00000
5	C023043	M12 NORD LOCK WASHER	36.00000
6	C028201	CLICK PIN Ø6 mm	1.00000
7	C030549	1/8" G BONDED WASHER	2.00000
8	C033004	MALE-MALE CONNECTOR 3/4" G - 22L	1.00000
9	C033028	90° ELBOW HOSE FITTING SW.M 3/4" G - 3/4" HOSE	1.00000
10	C033073	MALE-MALE CONNECTOR 1/2" G - 16S	8.00000
11	C033134	MALE-MALE CONNECTOR 1/4" G - 8L	10.00000
12	C036628	COMBINED OIL FILTER H=300 mm	1.00000
13	C036648	GASKET FOR OIL FILTER C036628	1.00000
14	C038690	MSE02-2 400cc 2 SPEED RIGTH WHEEL MOTOR	1.00000
15	C038691	MSE02-2 400cc 2 SPEED LEFT WHEEL MOTOR	1.00000
16	C038692	MSE02-2 400cc 2 SPEED RIGHT WHEEL MOTOR W/BRAKE	1.00000
17	C038693	MSE02-2 400cc 2 SPEED LEFT WHEEL MOTOR W/BRAKE	1.00000



Draft and part list report
Serial n / code M364676 / C963030
Description MULTIONE 8.4SK STAGE3

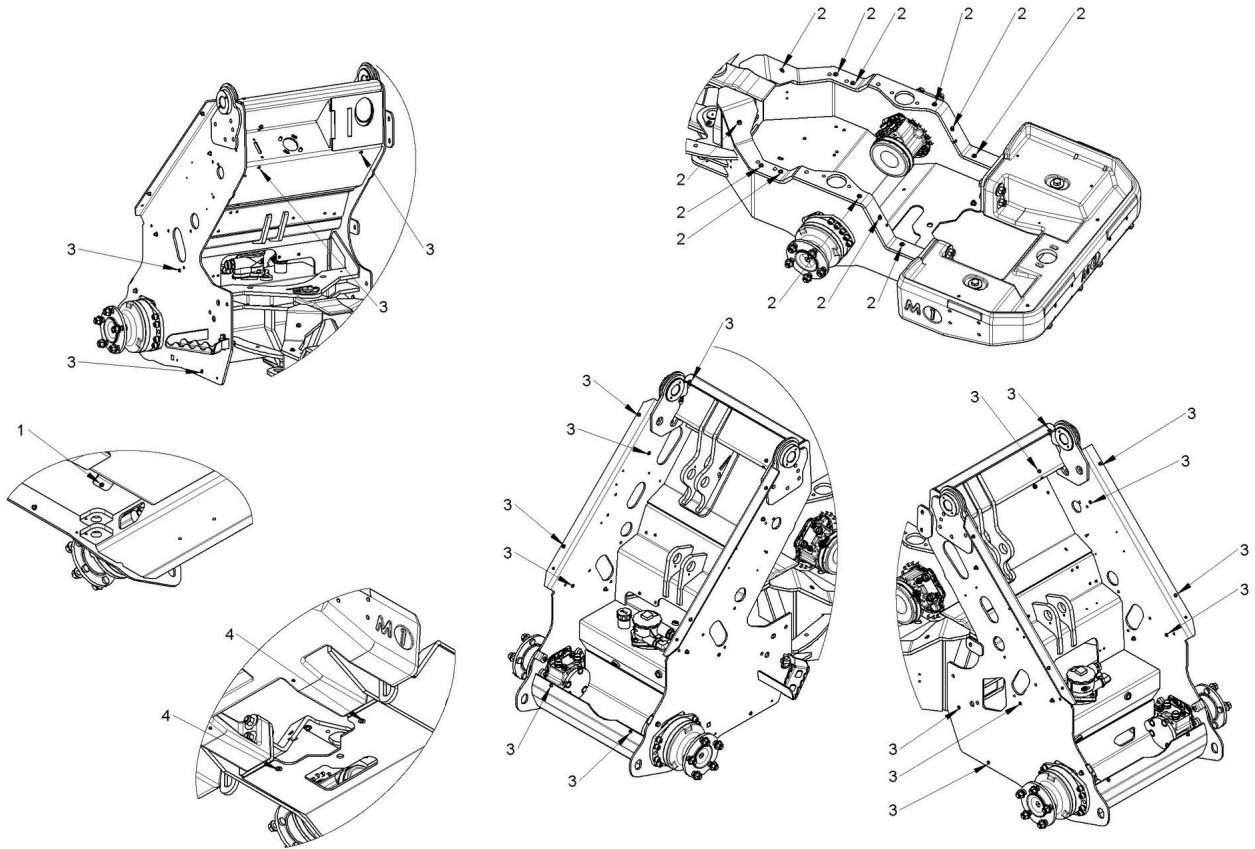
18	C038748	1" G PRESSURIZED LEVEL CUP 0.1 bar	1.00000
19	C277807	BOOM STOPPER ON FRONT FRAME	2.00000
20	C281614	WHEEL MOTOR LOCKING PLATE	4.00000
21	C281782	ARTICULATION LOCK	1.00000

PLEASE NOTE:
 THE FRONT RIGHT AND LEFT WHEEL MOTORS ARE REVERSED
 THE MOTOR WITH THE PLATE WHERE IS REPORTED THE CODE G23 ON IT IS MOUNTED ON THE RIGHT
 THE MOTOR WITH THE PLATE WHERE IS REPORTED THE CODE D23 ON IT IS MOUNTED ON THE LEFT
 AS SHOWN ON THE SCHEME BELOW



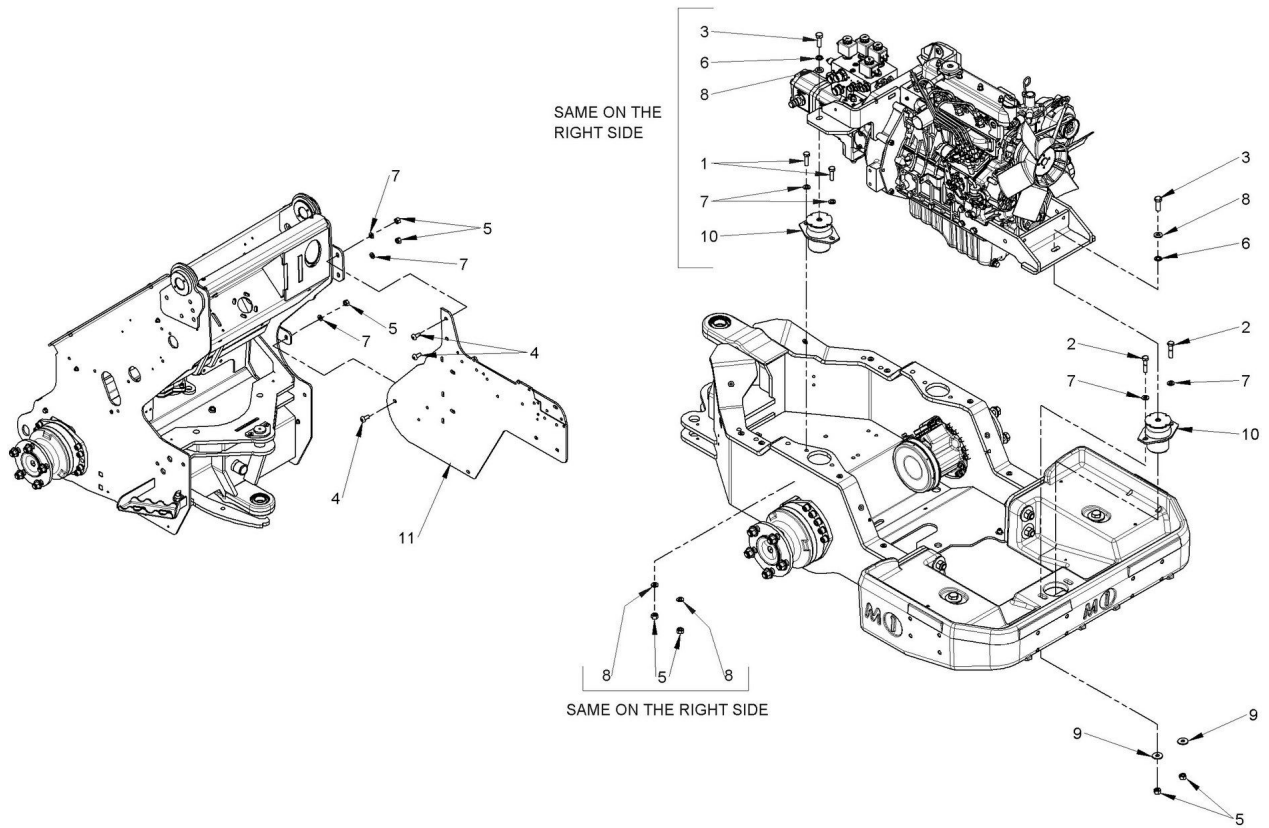
Component list [TAV. 11 WHEEL MOTORS MOUNTING]

Pos.	Code	Description	Q.ty
1	C028271	THREAD INSERT M6	1.00000
2	C028288	THREAD INSERT M6	12.00000
3	C028291	THREAD INSERT M6	19.00000
4	C028298	THREAD INSERT M8	2.00000



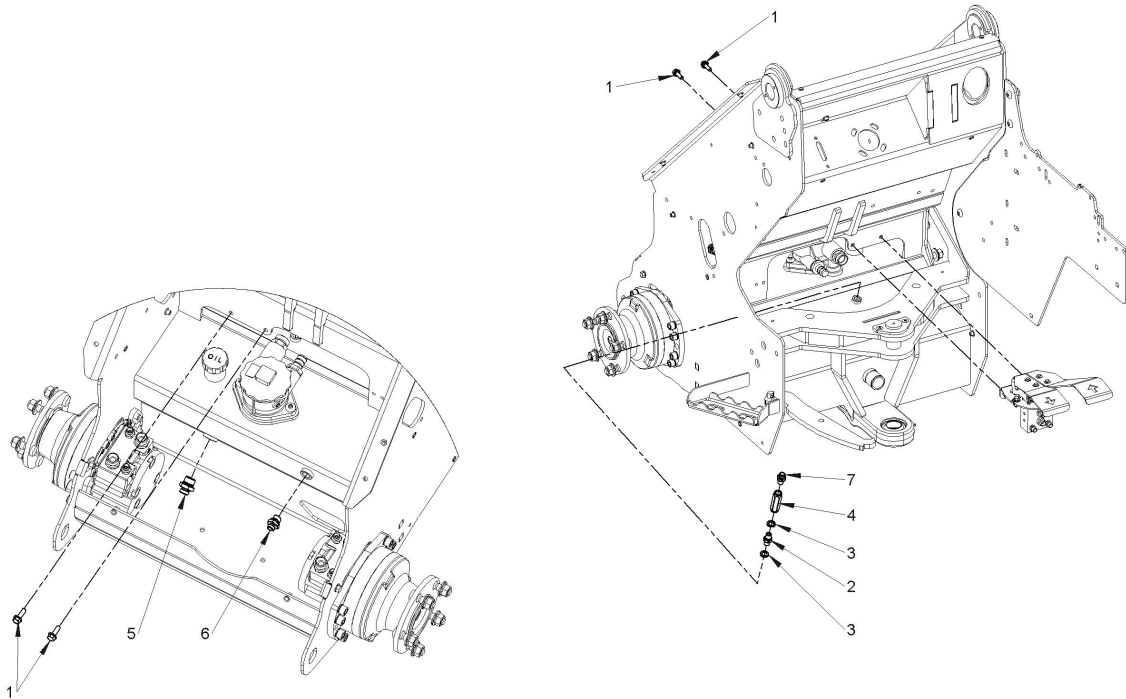
Component list [TAV. 12 THREAD INSERT]

Pos.	Code	Description	Q.ty
1	C028271	THREAD INSERT M6	1.00000
2	C028288	THREAD INSERT M6	12.00000
3	C028291	THREAD INSERT M6	19.00000
4	C028298	THREAD INSERT M8	2.00000



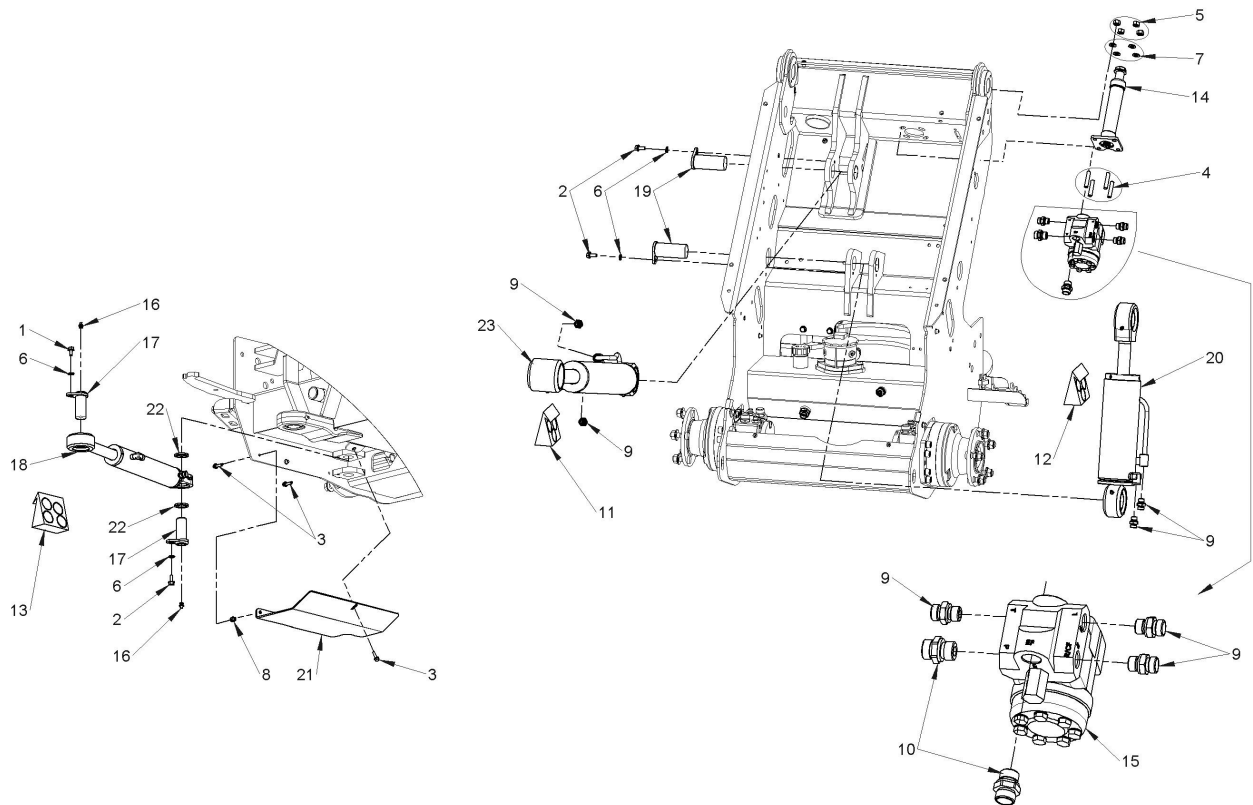
Component list [TAV. 13 ENGINE FIXING]

Pos.	Code	Description	Q.ty
1	C020103	HEXAGON HEAD SCREW M10x35 ISO 4017	4.00000
2	C020109	UNI 5737 M10x45 HEX HEAD SCREW	2.00000
3	C020133	HEXAGON HEAD BOLT 10.9 M12x35 ISO 4017	3.00000
4	C020550	ISO 7380 M10x25 HEX SOCKET OVAL HEAD SCREW	3.00000
5	C021503	SLOTTED AND CASTLE HEXAGON NUTS M10 DIN980	9.00000
6	C023043	M12 NORD LOCK WASHER	3.00000
7	C023080	UNI 6592 FLAT WASHER M10 - 10,5x20x2	13.00000
8	C023102	UNI 6592 FLAT WASHER M12 - 13x24x2,5	3.00000
9	C023104	UNI 6593 LARGE WASHER M10 - 10,5x30x2,5	2.00000
10	C037410	HYDRAULIC DUMPER 40SH	3.00000
11	C281746	HYDRAULIC VALVES SIDE SUPPORT	1.00000



Component list [TAV. 14 PEDALS FIXING]

Pos.	Code	Description	Q.ty
1	C019203	DIN 6921 M8x25 FLANGED HEAD SCREW	2.00000
2	C030370	1/4" 1/4" MALE-MALE JOINT	1.00000
3	C030548	1/4" G BONDED WASHER	2.00000
4	C030561	ONE DIRECTION VALVE FEMALE-FEMALE 1/4"	1.00000
5	C033002	MALE-MALE CONNECTOR 1/2" G - 12L	1.00000
6	C033133	MALE-MALE CONNECTOR 3/8" G - 8L	1.00000
7	C033134	MALE-MALE CONNECTOR 1/4" G - 8L	1.00000



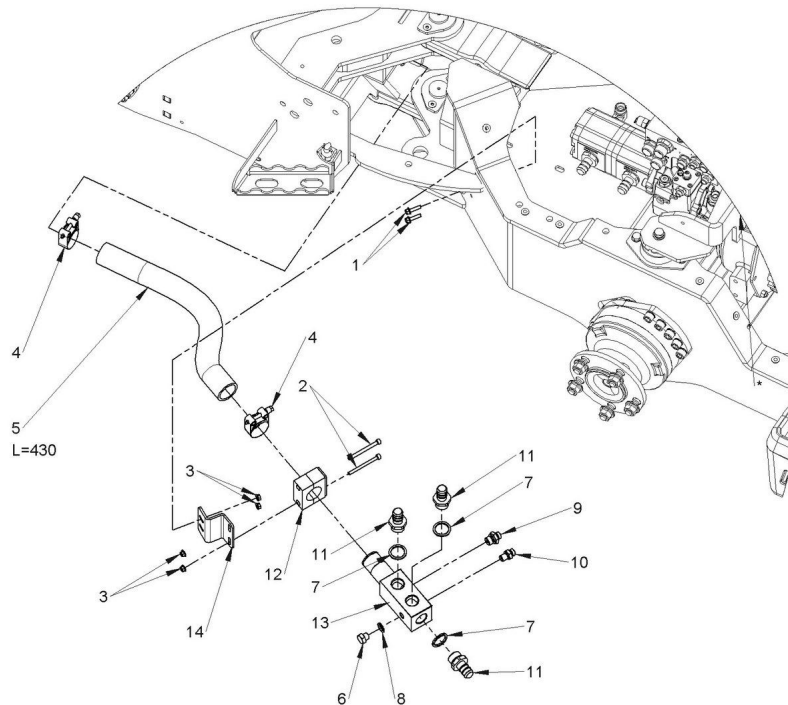
Component list [TAV. 15 CYLINDERA AND POWER STEERING]

Pos.	Code	Description	Q.ty
1	C019201	DIN 6921 M8x16 FLANGED HEAD SCREW	1.00000
2	C019202	DIN 6921 M8x20 FLANGED HEAD SCREW	3.00000
3	C019213	DIN 6921 M6x25 FLANGED HEAD SCREW	3.00000
4	C020551	THREAD BAR M10X50	4.00000
5	C021503	SLOTTED AND CASTLE HEXAGON NUTS M10 DIN980	4.00000
6	C023041	M8 NORD LOCK WASHER	4.00000
7	C023080	UNI 6592 FLAT WASHER M10 - 10,5x20x2	4.00000
8	C028271	THREAD INSERT M6	2.00000
9	C033001	MALE-MALE CONNECTOR 3/8" G - 12 L	7.00000
10	C033003	MALE-MALE CONNECTOR 1/2" G - 15L	2.00000
11	C036803	SEAL KIT FOR CYLINDER DIAM. 80	1.00000
12	C036821	CYLINDER SEAL KIT BORE 90 ROD 35	1.00000
13	C036829	C281744 SEAL KIT	1.00000
14	C038508	STEERING COLUMN 200 MM	1.00000
15	C038510	STEERING UNIT 80 cc	1.00000
16	C090030	GREASER NIPPLE M10x1 UNI 7663A	2.00000
17	C230164	FLANGED PIN Ø30 L=66	2.00000



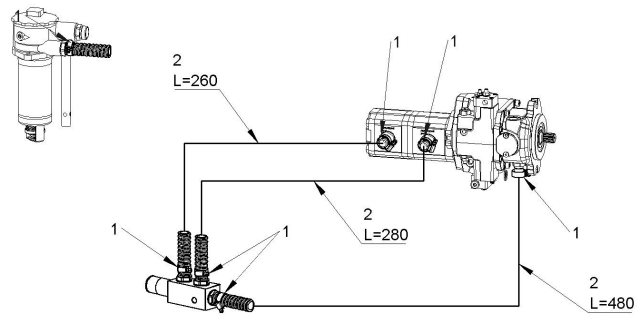
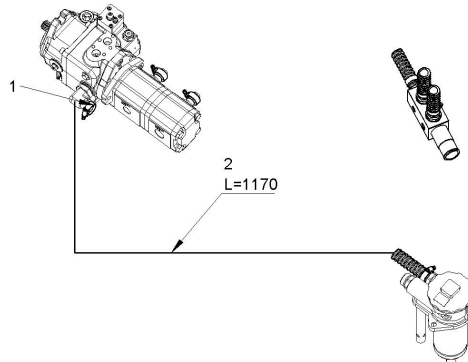
Draft and part list report
Serial n / code M364676 / C963030
Description MULTIONE 8.4SK STAGE3

18	C281744	POWER STEERING CYLINDER	1.00000
19	C281765	FLANGED PIN Ø40 L=90	2.00000
20	C281772	90-35-177 SELF-LEVELING CYLINDER M1 7-8 M1 SD 7-8	1.00000
21	C281783	POWER STEERING CYLINDER PROTECTION COVER	1.00000
22	C282911	Ø40-Ø30,2-4 SPACER	2.00000
23	C283098	LIFTING BOOM CYLINDER	1.00000



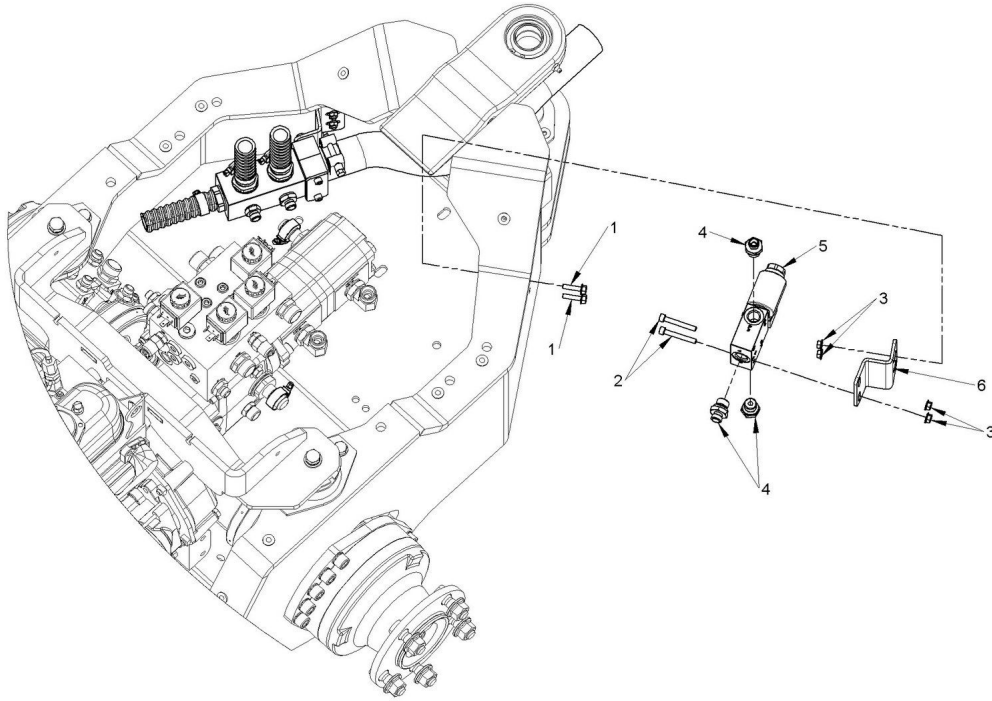
Component list [TAV. 16 SUCTION COLLECTOR]

Pos.	Code	Description	Q.ty
1	C019213	DIN 6921 M6x25 FLANGED HEAD SCREW	2.00000
2	C020241	UNI EN ISO 4762 M6x70 HEX SOCKET HEAD CAP SCREW	2.00000
3	C021018	M6 SERPRESS SLOTTED HEX NUT	4.00000
4	C029049	STEEL BELT 43/47 MM	2.00000
5	C030106	SUCTION PIPE 138x47	1.00000
6	C030380	PLUG HEXAGON SOCKET M 1/4" GAS	1.00000
7	C030543	3/4" G BONDED WASHER	3.00000
8	C030548	1/4" G BONDED WASHER	1.00000
9	C033133	MALE-MALE CONNECTOR 3/8" G - 8L	1.00000
10	C033134	MALE-MALE CONNECTOR 1/4" G - 8L	1.00000
11	C033300	STRAIGHT HOSE CONNECTOR 3/4" G F - 3/4" HOSE	3.00000
12	C035107	Ø38 1 PLACE PIPE BELT	1.00000
13	C274183	INTAKE OIL COLLECTOR	1.00000
14	C281656	OIL SUCTION MANIFOLD / DOUBLE SPEEDD VALVE SUPPORT	1.00000



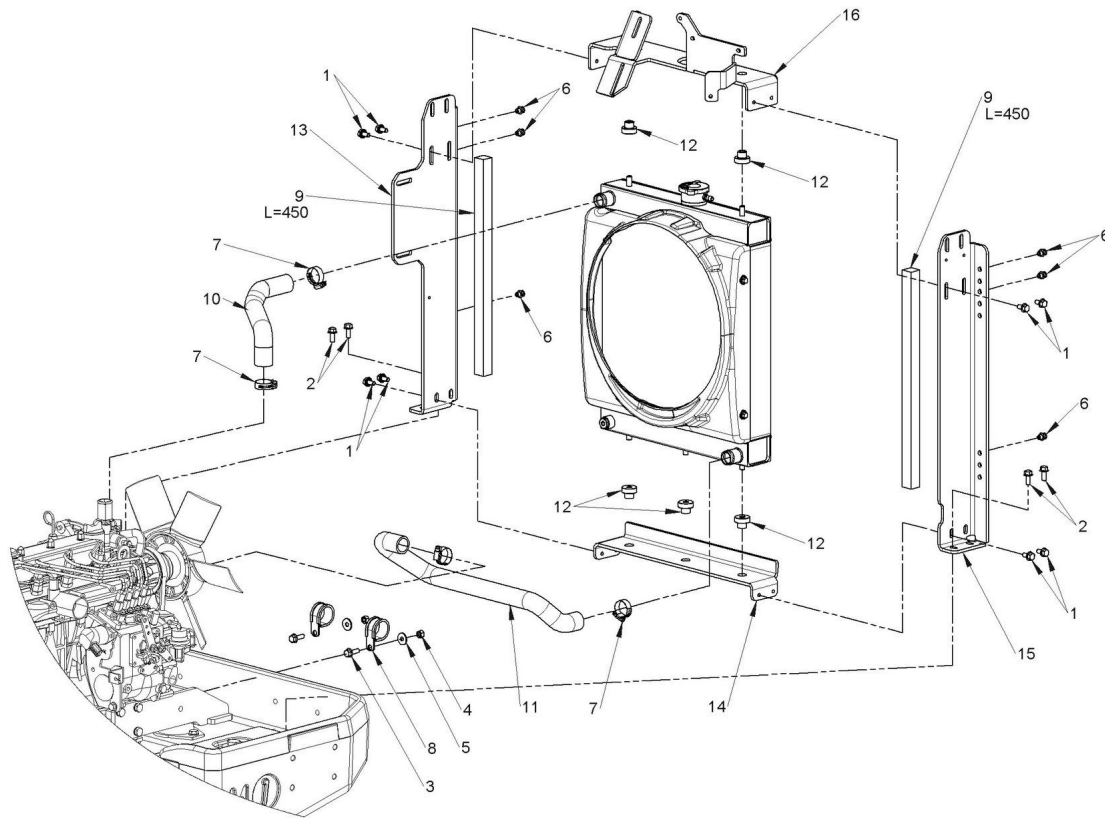
Component list [TAV. 17 OIL SUCTION HOSES]

Pos.	Code	Description	Q.ty
1	C029046	STAINLESS STEEL CLAMP 20-32 BELT 12	8.00000
2	C030102	OIL SUCTION HOSE Ø19x28	4.00000



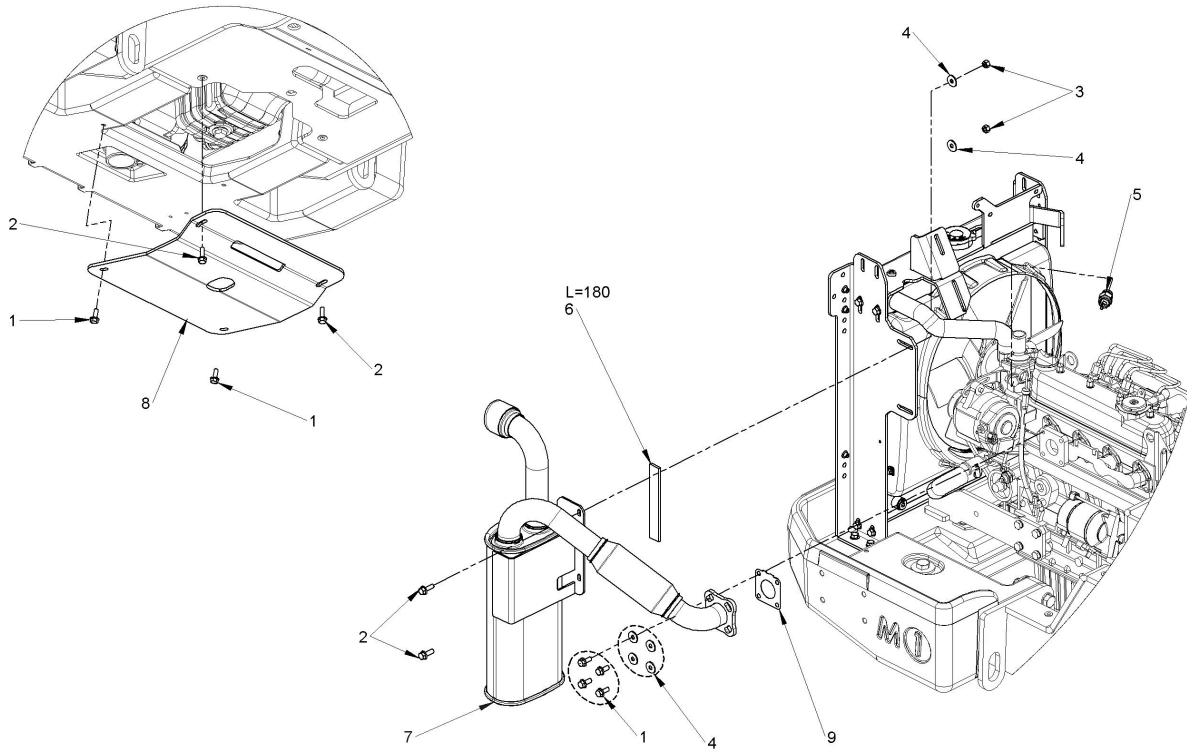
Component list [TAV. 18 2 SPEEDS VALVE]

Pos.	Code	Description	Q.ty
1	C019213	DIN 6921 M6x25 FLANGED HEAD SCREW	2.00000
2	C020216	UNI EN ISO 4762 M6x45 HEX SOCKET HEAD CAP SCREW	2.00000
3	C021018	M6 SERPRESS SLOTTED HEX NUT	4.00000
4	C033133	MALE-MALE CONNECTOR 3/8" G - 8L	3.00000
5	C036621	ELECTROVALVE 3 WAY 3/8 G COIL 12V DC	1.00000
6	C281656	OIL SUCTION MANIFOLD / DOUBLE SPEEDD VALVE SUPPORT	1.00000



Component list [TAV. 19 ENGINE COOLER FRAME]

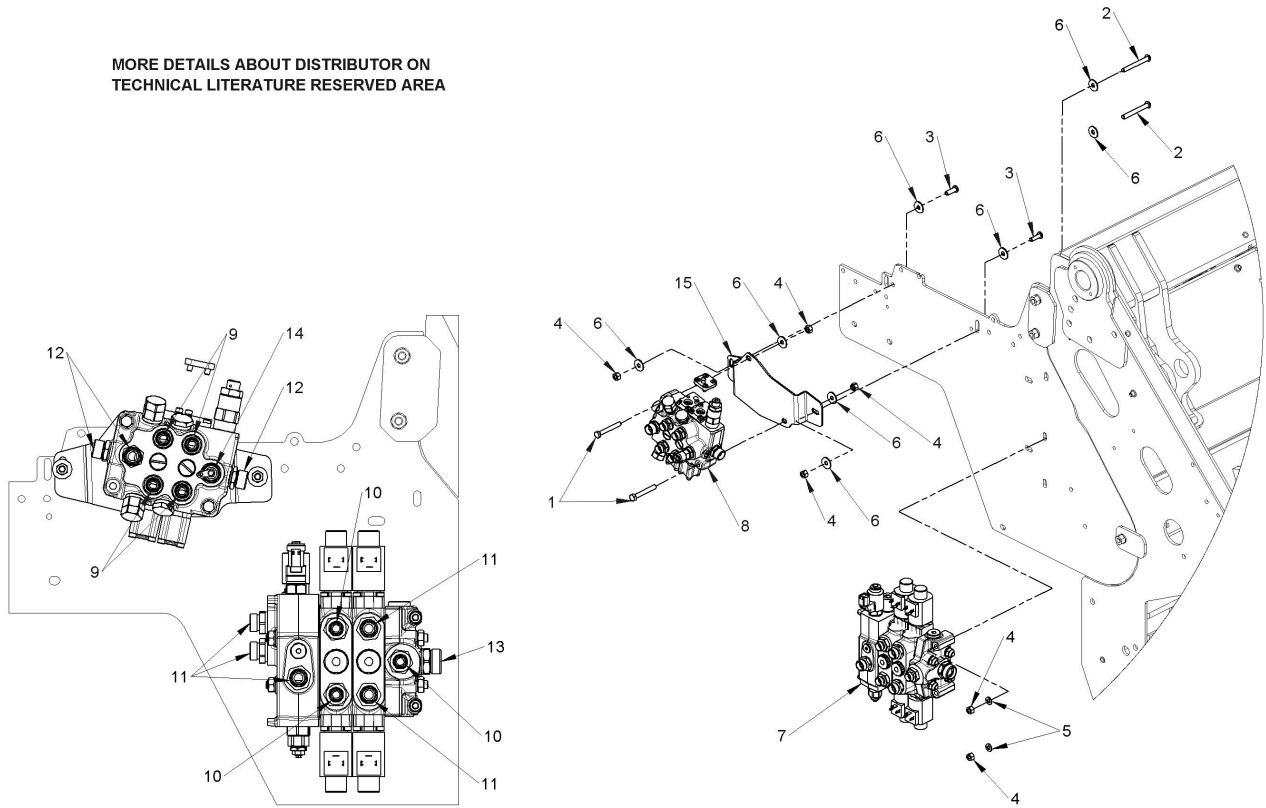
Pos.	Code	Description	Q.ty
1	C019201	DIN 6921 M8x16 FLANGED HEAD SCREW	8.00000
2	C019202	DIN 6921 M8x20 FLANGED HEAD SCREW	4.00000
3	C019203	DIN 6921 M8x25 FLANGED HEAD SCREW	2.00000
4	C021502	SLOTTED AND CASTLE HEXAGON NUTS M8 DIN980	2.00000
5	C023100	UNI 6593 LARGE WASHER M8 - 8,5x24x2	2.00000
6	C028291	THREAD INSERT M6	6.00000
7	C029032	STAINLESS STEEL CLAMP 30-45 BELT 12	4.00000
8	C029053	Ø35 RUBBERED INOX BELT W/HOLE Ø11	2.00000
9	C035004	BLACK ADHESIVE MOUSSE 25X25	2.00000
10	C035151	INLET ENGINE COOLER PIPE	1.00000
11	C035180	LOWER ENGINE COOLER HOSE	1.00000
12	C036017	ENGINE COOLER DAMPING PAD	5.00000
13	C281634	RIGHT ENGINE COOLER SUPPORT	1.00000
14	C281635	LOWER ENGINE COOLE SUPPORT	1.00000
15	C281636	LEFT ENGINE COOLER SUPPORT	1.00000
16	C281637	UPPER ENGINE COOLER SUPPORT	1.00000



Component list [TAV. 20 MUFFLER]

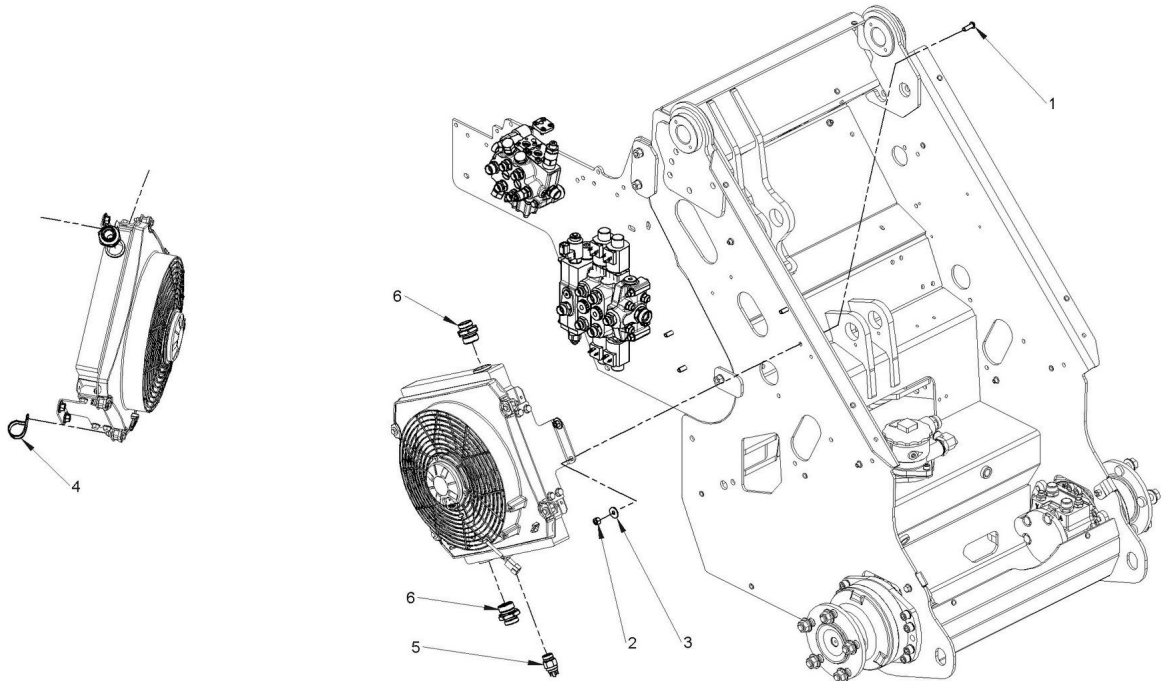
Pos.	Code	Description	Q.ty
1	C019202	DIN 6921 M8x20 FLANGED HEAD SCREW	6.00000
2	C019203	DIN 6921 M8x25 FLANGED HEAD SCREW	4.00000
3	C021502	SLOTTED AND CASTLE HEXAGON NUTS M8 DIN980	2.00000
4	C023100	UNI 6593 LARGE WASHER M8 - 8,5x24x2	6.00000
5	C030606	THERMOSWITCH 50-60° M22x1,5	1.00000
6	C035000	FOAM BLACK ADHESIVE 25x5	1.00000
7	C039228	MUFFLER FOR M1 7.3K 8.4K	1.00000
8	C285903	OIL SUMP PROTECTION	1.00000
9	FF163/129004-13200	GASKET SILENCER FOR YANMAR 3TNV82/3TNV76	1.00000

MORE DETAILS ABOUT DISTRIBUTOR ON
 TECHNICAL LITERATURE RESERVED AREA



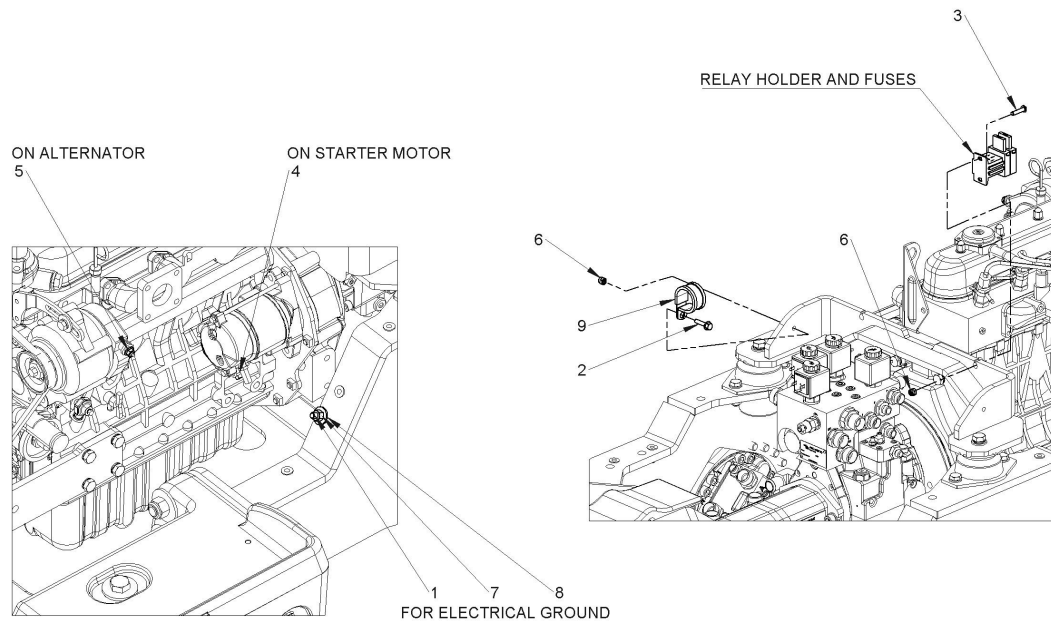
Component list [TAV. 21 DISTRIBUTORS]

Pos.	Code	Description	Q.ty
1	C020080	HEXAGON HEAD SCREW M8x60 UNI 5739	2.00000
2	C020539	ISO 7380 M8x70 HEX SOCKET OVAL HEAD SCREW	2.00000
3	C020543	ISO 7380 M8x25 HEX SOCKET OVAL HEAD SCREW	2.00000
4	C021502	SLOTTED AND CASTLE HEXAGON NUTS M8 DIN980	6.00000
5	C023071	UNI 6592 FLAT WASHER M8 - 8,4x16x1,6	2.00000
6	C023100	UNI 6593 LARGE WASHER M8 - 8,5x24x2	8.00000
7	C030778	2 SECTION ELECTRIC HYDR DISTRIBUTOR	1.00000
8	C030779	2 SECTION HYDR DISTRIBUTOR	1.00000
9	C033001	MALE-MALE CONNECTOR 3/8" G - 12 L	4.00000
10	C033002	MALE-MALE CONNECTOR 1/2" G - 12L	3.00000
11	C033003	MALE-MALE CONNECTOR 1/2" G - 15L	5.00000
12	C033010	MALE-MALE CONNECTOR 3/8" G - 15L	3.00000
13	C033014	MALE-MALE CONNECTOR 1/2" G - 22L	1.00000
14	C037002	MANOMETER QUICK PLUG 3/8"	1.00000
15	C285830	DISTRIBUTOR SUPPORT 2ND GEN	1.00000



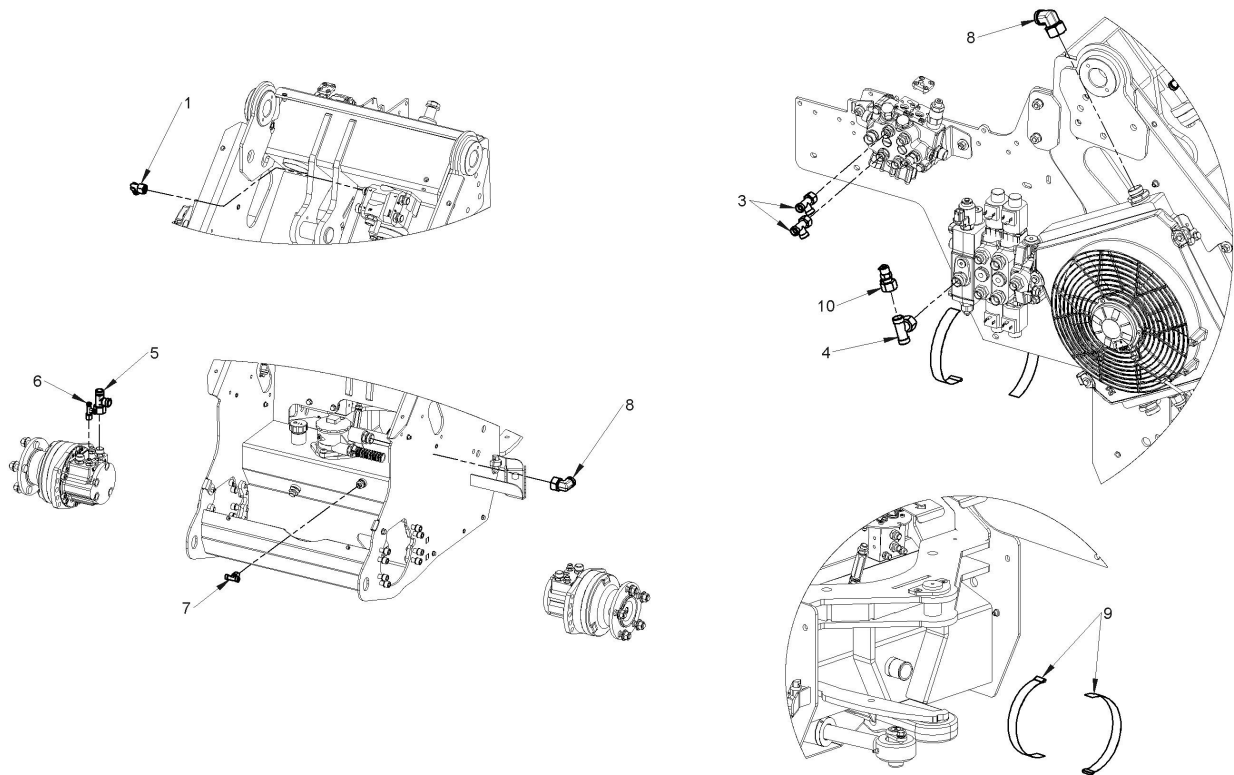
Component list [TAV. 22 OIL COOLER]

Pos.	Code	Description	Q.ty
1	C020543	ISO 7380 M8x25 HEX SOCKET OVAL HEAD SCREW	4.00000
2	C021502	SLOTTED AND CASTLE HEXAGON NUTS M8 DIN980	4.00000
3	C023100	UNI 6593 LARGE WASHER M8 - 8,5x24x2	10.00000
4	C029033	HOSE CLAMP WITH RUBBER Ø30	1.00000
5	C030606	THERMOSWITCH 50-60° M22x1,5	1.00000
6	C033137	MALE-MALE CONNECTOR 1" G - 22L	2.00000
7	C020079	UNI 5739 M8x50 HEX HEAD SCREW	3.00000
8	C020549	ISO 7380 M8x16 HEX SOCKET OVAL HEAD SCREW	3.00000
9	C023071	UNI 6592 FLAT WASHER M8 - 8,4x16x1,6	3.00000
10	C035252	RUBBER ANTIVIBRATION D30 X H30 FEMALE THREAD M8	3.00000



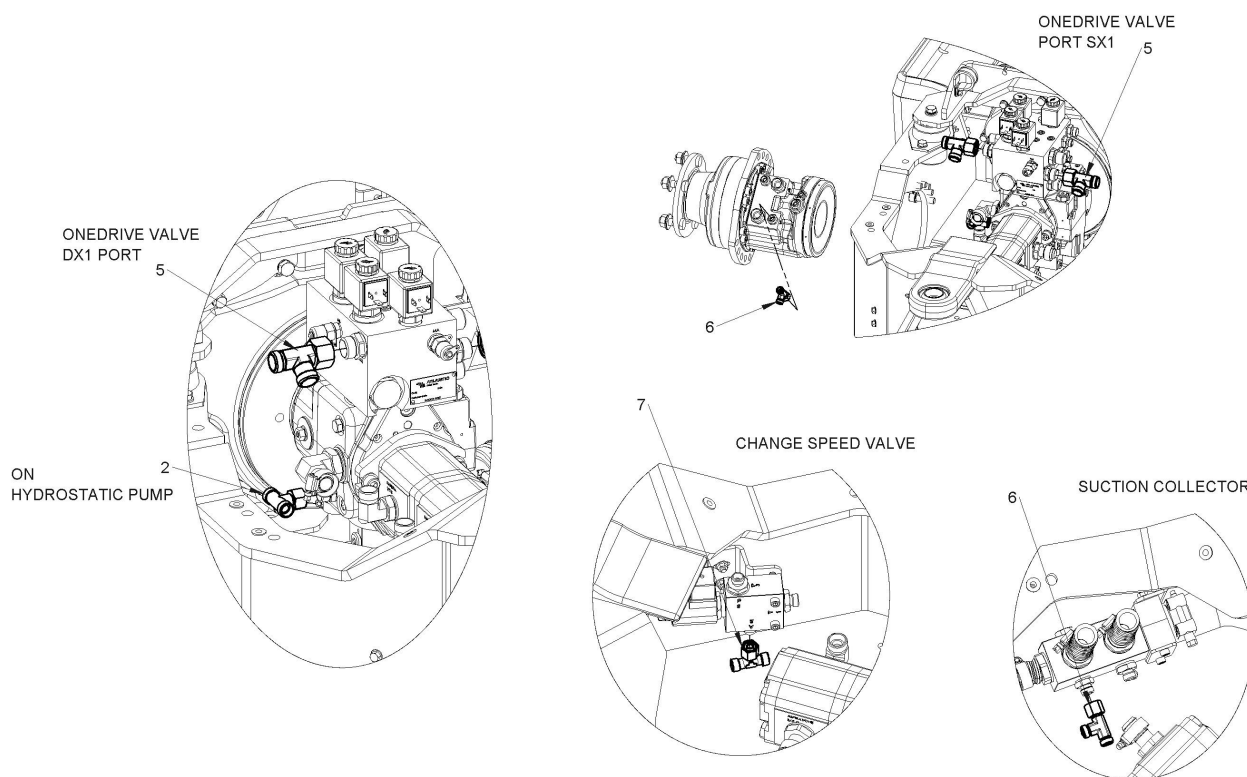
Component list [TAV. 23 ELECTRIC WIRE FIXING]

Pos.	Code	Description	Q.ty
1	C019204	DIN 6921 M8x30 FLANGED HEAD SCREW	1.00000
2	C019213	DIN 6921 M6x25 FLANGED HEAD SCREW	1.00000
3	C020546	ISO 7380 M6x25 HEX SOCKET OVAL HEAD SCREW	1.00000
4	C021010	NUT E 6S M8 UNI 5588	1.00000
5	C021018	M6 SERPRESS SLOTTED HEX NUT	1.00000
6	C021104	UNI 7473 SELF-LOCKING NUT M6	2.00000
7	C021502	SLOTTED AND CASTLE HEXAGON NUTS M8 DIN980	1.00000
8	C023100	UNI 6593 LARGE WASHER M8 - 8,5x24x2	1.00000
9	C029053	Ø35 RUBBERED INOX BELT W/HOLE Ø11	1.00000



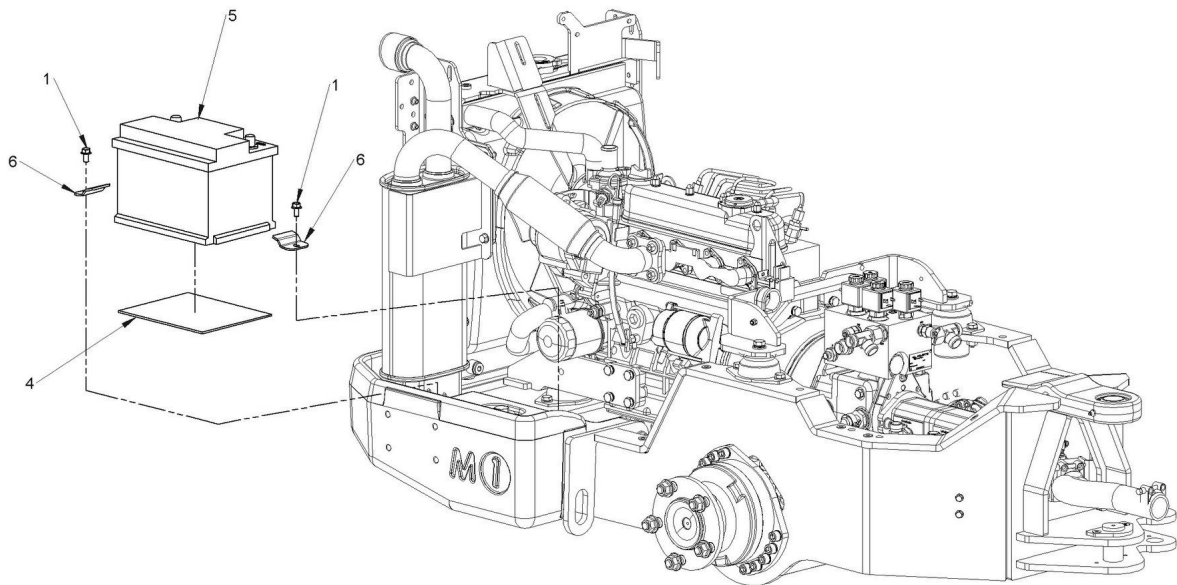
Component list [TAV. 24 FRONT FITTINGS]

Pos.	Code	Description	Q.ty
1	C033024	90° ELBOW SW. F 12L - M 12L	1.00000
2	C033031	TEE FITTING M-SW.F-M 12L	1.00000
3	C033032	TEE FITTING SW.F-M-M 12L	2.00000
4	C033034	TEE FITTING M-SW.F-M 15L	1.00000
5	C033083	TEE FITTING SW.F-M-M 16S	3.00000
6	C033085	TEE FITTING SW.F-M-M 8L	3.00000
7	C033086	TEE FITTING M-SW.F-M 8L	2.00000
8	C033130	90° ELBOW SW.F 22L - M 22L	2.00000
9	C035300	80 CM BLACK BELT WITH CLAMP	2.00000
10	C037007	MANOMETER QUICK PLUG F 15L	1.00000



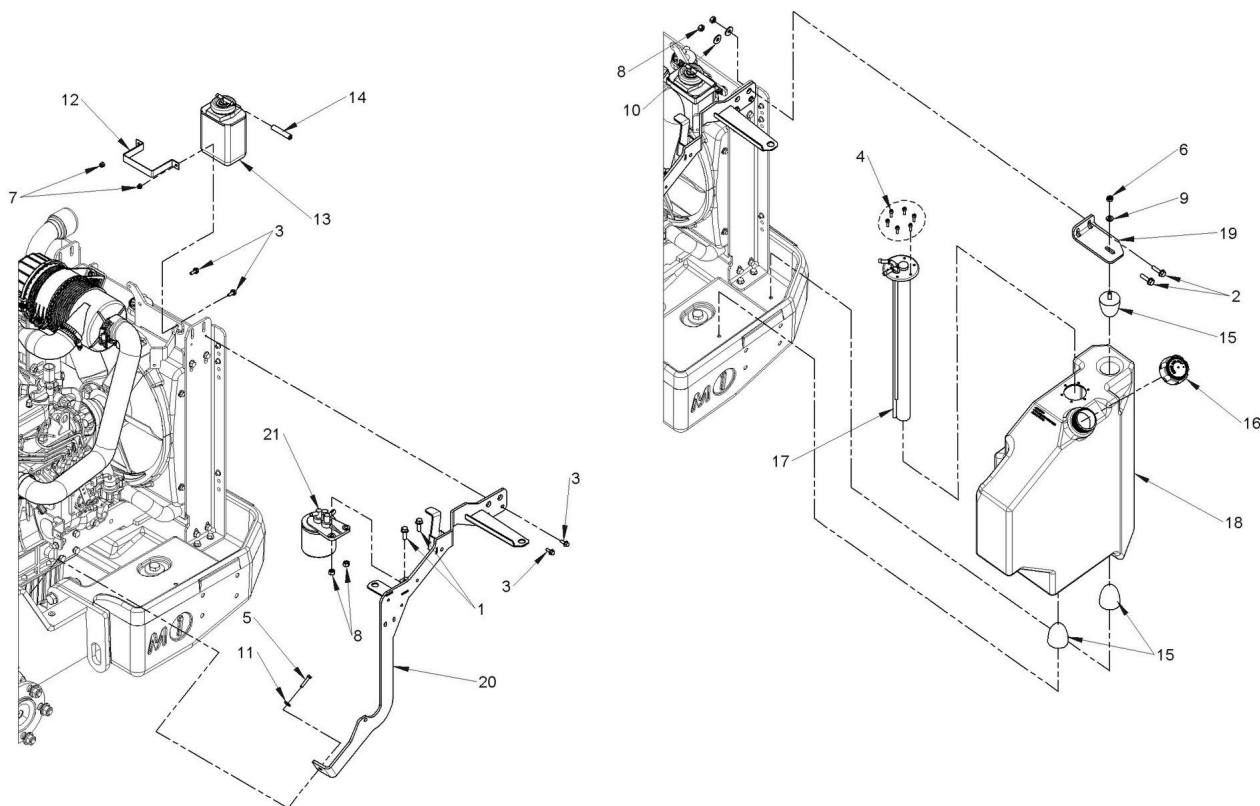
Component list [TAV. 25 REAR FITTINGS]

Pos.	Code	Description	Q.ty
1	C033024	90° ELBOW SW. F 12L - M 12L	1.00000
2	C033031	TEE FITTING M-SW.F-M 12L	1.00000
3	C033032	TEE FITTING SW.F-M-M 12L	2.00000
4	C033034	TEE FITTING M-SW.F-M 15L	1.00000
5	C033083	TEE FITTING SW.F-M-M 16S	3.00000
6	C033085	TEE FITTING SW.F-M-M 8L	3.00000
7	C033086	TEE FITTING M-SW.F-M 8L	2.00000
8	C033130	90° ELBOW SW.F 22L - M 22L	2.00000
9	C035300	80 CM BLACK BELT WITH CLAMP	2.00000
10	C037007	MANOMETER QUICK PLUG F 15L	1.00000



Component list [TAV. 26 BATTERY]

Pos.	Code	Description	Q.ty
1	C019201	DIN 6921 M8x16 FLANGED HEAD SCREW	2.00000
2	C020036	UNI EN ISO 4762 M5X16 HEX SOCKET HEAD CAP SCREW	1.00000
3	C021102	UNI 7473 SELF-LOCKING NUT M5	1.00000
4	C029253	SILENT BLOCK RUBBER PANNEL 210x175x3	1.00000
5	C036432	BATTERY 12V 62AH	1.00000
6	C277108	BATTERY BRACKET	2.00000



Component list [TAV. 28 FUEL TANK]

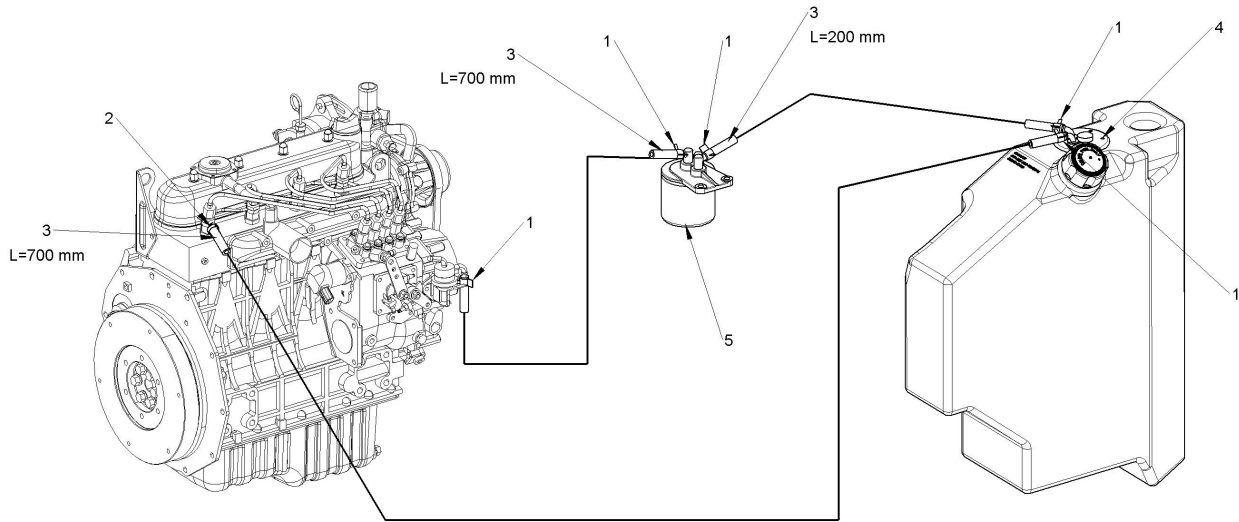
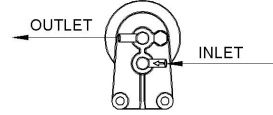
Pos.	Code	Description	Q.ty
1	C019203	DIN 6921 M8x25 FLANGED HEAD SCREW	2.00000
2	C019204	DIN 6921 M8x30 FLANGED HEAD SCREW	2.00000
3	C019211	DIN 6921 M6x16 FLANGED HEAD SCREW	4.00000
4	C020036	UNI EN ISO 4762 M5X16 HEX SOCKET HEAD CAP SCREW	6.00000
5	C020053	UNI 5739 M6x30 HEX HEAD SCREW	1.00000
6	C021010	NUT E 6S M8 UNI 5588	1.00000
7	C021104	UNI 7473 SELF-LOCKING NUT M6	2.00000
8	C021502	SLOTTED AND CASTLE HEXAGON NUTS M8 DIN980	4.00000
9	C023041	M8 NORD LOCK WASHER	1.00000
10	C023100	UNI 6593 LARGE WASHER M8 - 8,5x24x2	2.00000
11	C023110	UNI 6593 LARGE WASHER M6 - 6,5x18x1,5	1.00000
12	C034090	COOLANT TANK BRACKET	1.00000
13	C034091	COOLANT TANK	1.00000
14	C035018	WATER HOSE 7x12	1.00000
15	C035139	SILENT BLOCK T-50 Ø50 H=58 M8x20 MALE THREAD	3.00000
16	C038723	FUEL CUP, NO KEY	1.00000
17	C038758	FLOATING FUEL SENSOR L=515	1.00000



Draft and part list report
Serial n / code M364676 / C963030
Description MULTIONE 8.4SK STAGE3

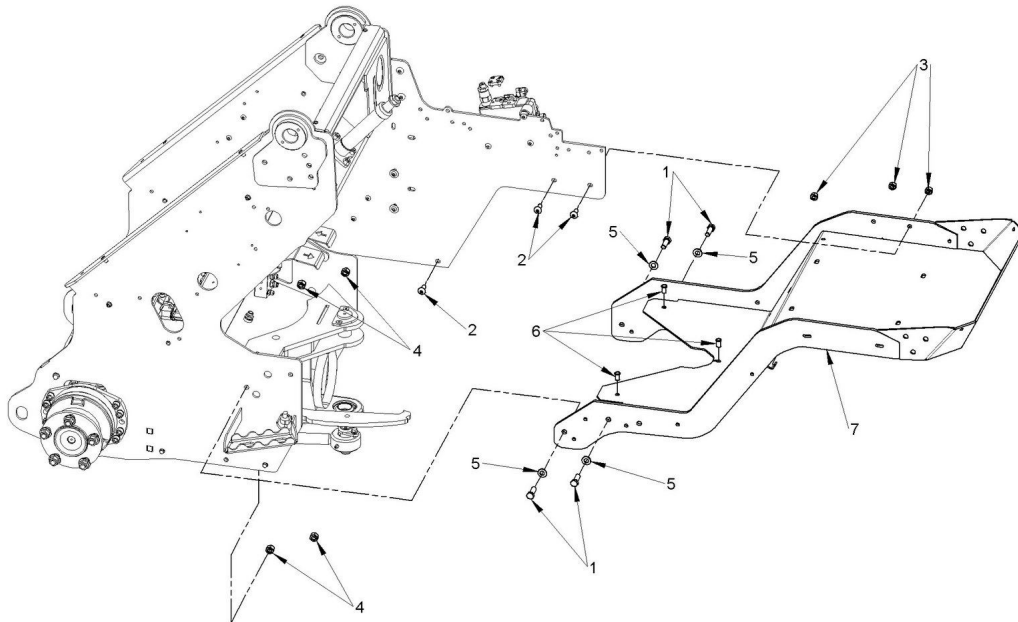
18	C220490	34 LT FUEL TANK MULTIONE 7-8 SERIE	1.00000
19	C281642	DIESEL TANK LOCKER	1.00000
20	C284650	REAR LEFT PLASTIC CARTER SUPPORT	1.00000
21	FF162/15224-4301-3	KUBOTA D1305 V1505 COMPLETE FILTER	1.00000

ATTENTION



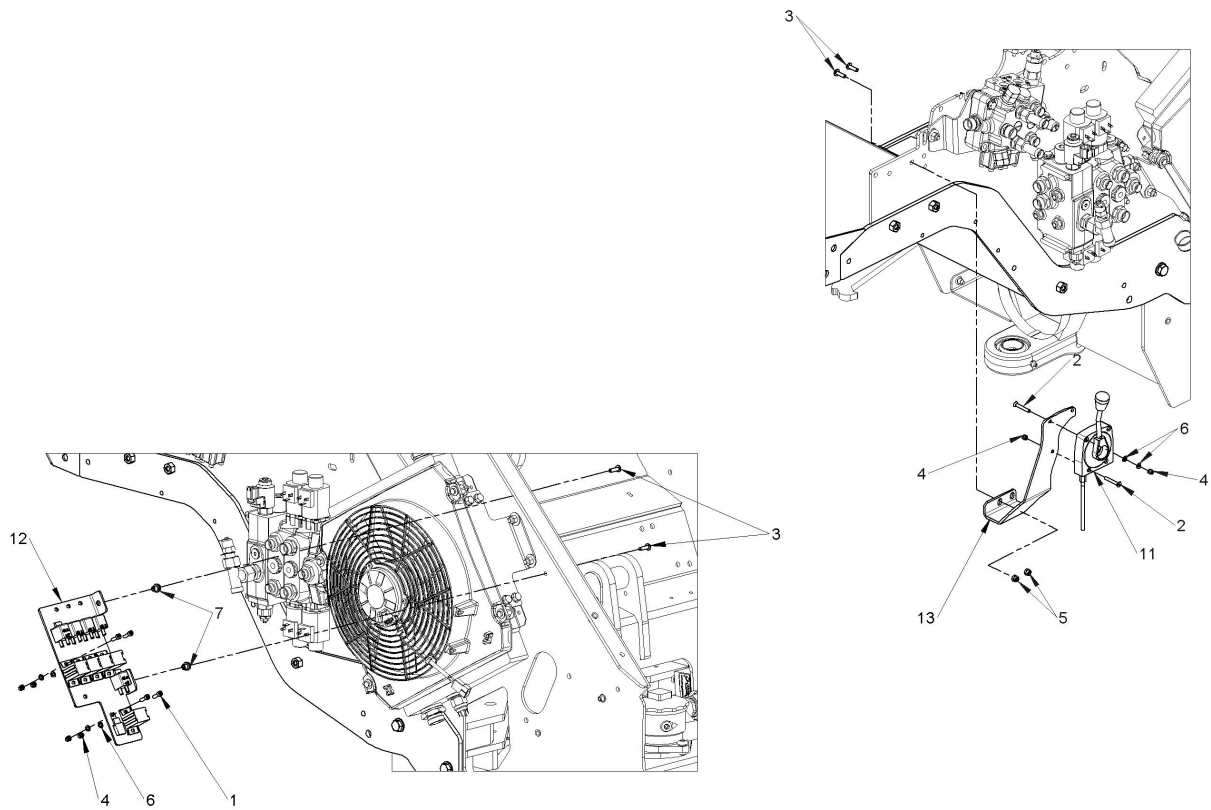
Component list [TAV. 29 FUEL HOSES]

Pos.	Code	Description	Q.ty
1	C029036	SPRING CLAMP 12-14	5.00000
2	C029038	STEEL BAND 10-16	1.00000
3	C035003	FUEL HOSE 7x13	6.00000
4	C038758	FLOATING FUEL SENSOR L=515	1.00000
5	FF162/15224-4301-3	KUBOTA D1305 V1505 COMPLETE FILTER	1.00000



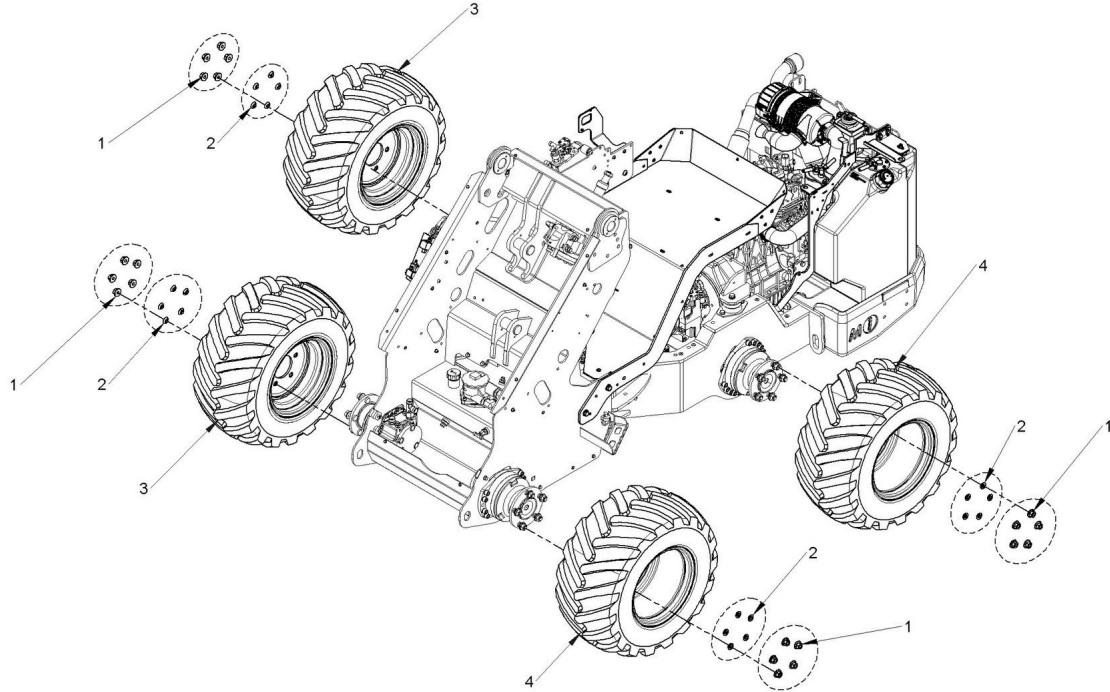
Component list [TAV. 30 SEAT SUPPORT]

Pos.	Code	Description	Q.ty
1	C020133	HEXAGON HEAD BOLT 10.9 M12x35 ISO 4017	4.00000
2	C020550	ISO 7380 M10x25 HEX SOCKET OVAL HEAD SCREW	3.00000
3	C021503	SLOTTED AND CASTLE HEXAGON NUTS M10 DIN980	3.00000
4	C021504	SLOTTED AND CASTLE HEXAGON NUTS M12 DIN980	4.00000
5	C023102	UNI 6592 FLAT WASHER M12 - 13x24x2,5	4.00000
6	C028270	THREAD INSERT M8	3.00000
7	C281763	FIXING BASE SEAT M1 6->10	1.00000



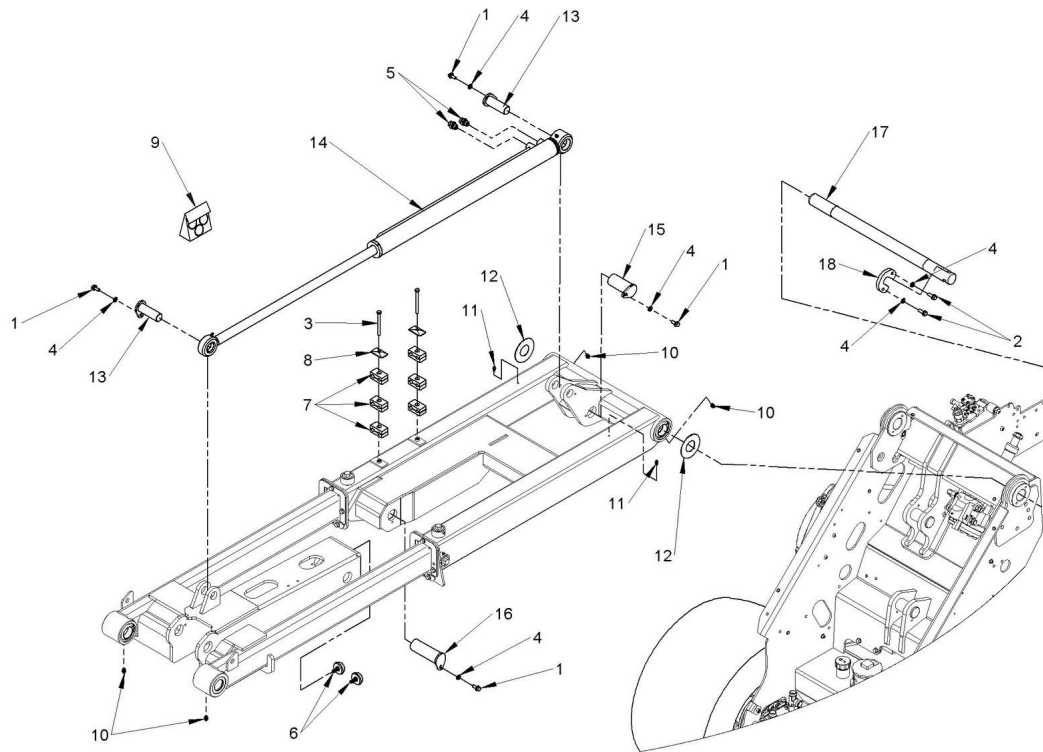
Component list [TAV. 31 THROTTLE AND RELAYS]

Pos.	Code	Description	Q.ty
1	C020036	UNI EN ISO 4762 M5X16 HEX SOCKET HEAD CAP SCREW	4.00000
2	C020291	UNI 5933 M5x35 HEX SOCKET COUNTERSUNK CAP SCREW	2.00000
3	C020548	ISO 7380 M6x20 HEX SOCKET OVAL HEAD SCREW	4.00000
4	C021102	UNI 7473 SELF-LOCKING NUT M5	6.00000
5	C021104	UNI 7473 SELF-LOCKING NUT M6	2.00000
6	C023072	UNI 6592 FLAT WASHER M5 - 5,3x10x1	6.00000
7	C028294	THREAD INSERT M6	2.00000
8	C038149	12 V, 30 RELAY W/FUSE	2.00000
9	C038151	12 V, 40-30 A RELAY	3.00000
10	C038152	12 V, 70 A MAXIRELAY	1.00000
11	C038714	HAND THROTTLE LEVER AND CABLE	1.00000
12	C281639	RELAY SUPPORT	1.00000
13	C285890	THROTTLE LEVER SUPPORT 2ND GEN	1.00000



Component list [TAV. 32 WHEELS]

Pos.	Code	Description	Q.ty
1	C021135	FLANGED NUT M14X1.5 FOR POCLAIN WHEEL MOTOR	20.00000
2	C023500	WASHER LIMES D.14 FOR GT WHEEL SCREWS	20.00000
3	C040056 DX		2.00000
4	C040056 SX		2.00000



Component list [TAV. 33 TELESCOPIC BOOM]

Pos.	Code	Description	Q.ty
1	C019202	DIN 6921 M8x20 FLANGED HEAD SCREW	4.00000
2	C019203	DIN 6921 M8x25 FLANGED HEAD SCREW	2.00000
3	C020082	UNI 5739 M8x90 HEX HEAD SCREW	2.00000
4	C023041	M8 NORD LOCK WASHER	6.00000
5	C033001	MALE-MALE CONNECTOR 3/8" G - 12 L	2.00000
6	C035078	RUBBER END	2.00000
7	C035119	DOUBLE HOSE BARCKET, Ø12 AND Ø15	6.00000
8	C035140	UPPER PLATE FOR DOUBLE HOSE HOLDER	2.00000
9	C036805	SEAL KIT FOR CYLINDER BORE 50 ROD 30	1.00000
10	C090030	GREASER NIPPLE M10x1 UNI 7663A	4.00000
11	C090032	GREASER M6x1 UNI 7663A	2.00000
12	C274024	Ø88-Ø40,5 TH 1,5 SPACER	2.00000
13	C281704	Ø30x85 PIN	2.00000
14	C281745	TELESCOPIC BOOM CYLINDER	1.00000
15	C281765	FLANGED PIN Ø40 L=90	1.00000
16	C281799	PIN Ø40 L=120	1.00000
17	C285250	BOOM PIN Ø40x658	1.00000

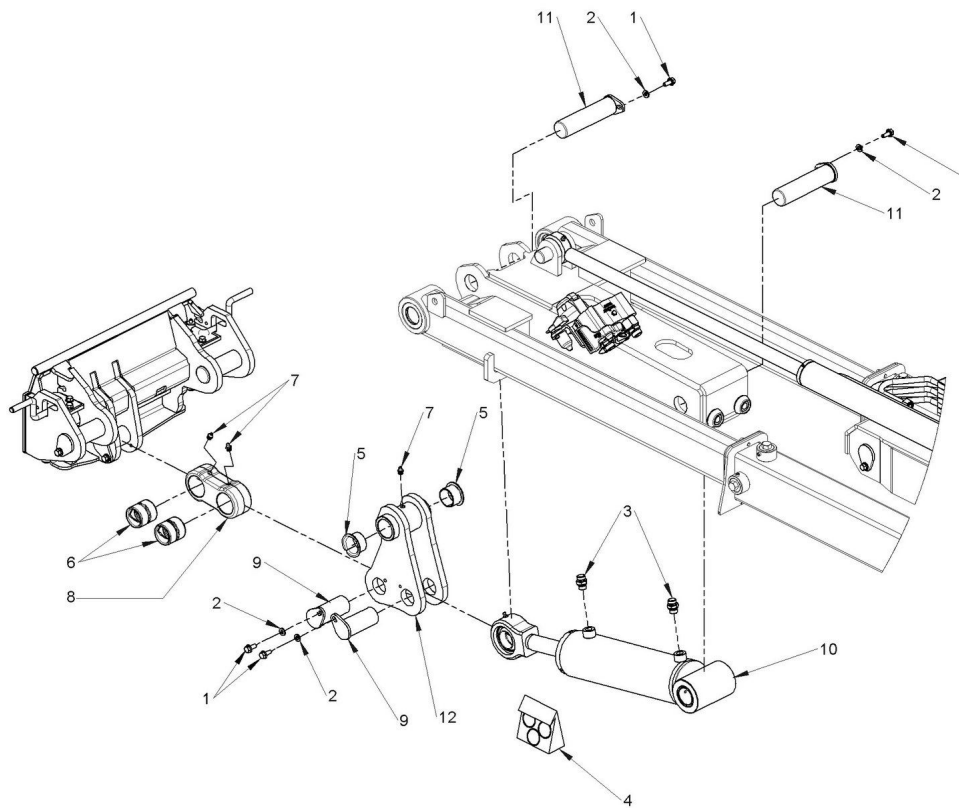


Draft and part list report
Serial n / code M364676 / C963030
Description MULTIONE 8.4SK STAGE3

18 C285251

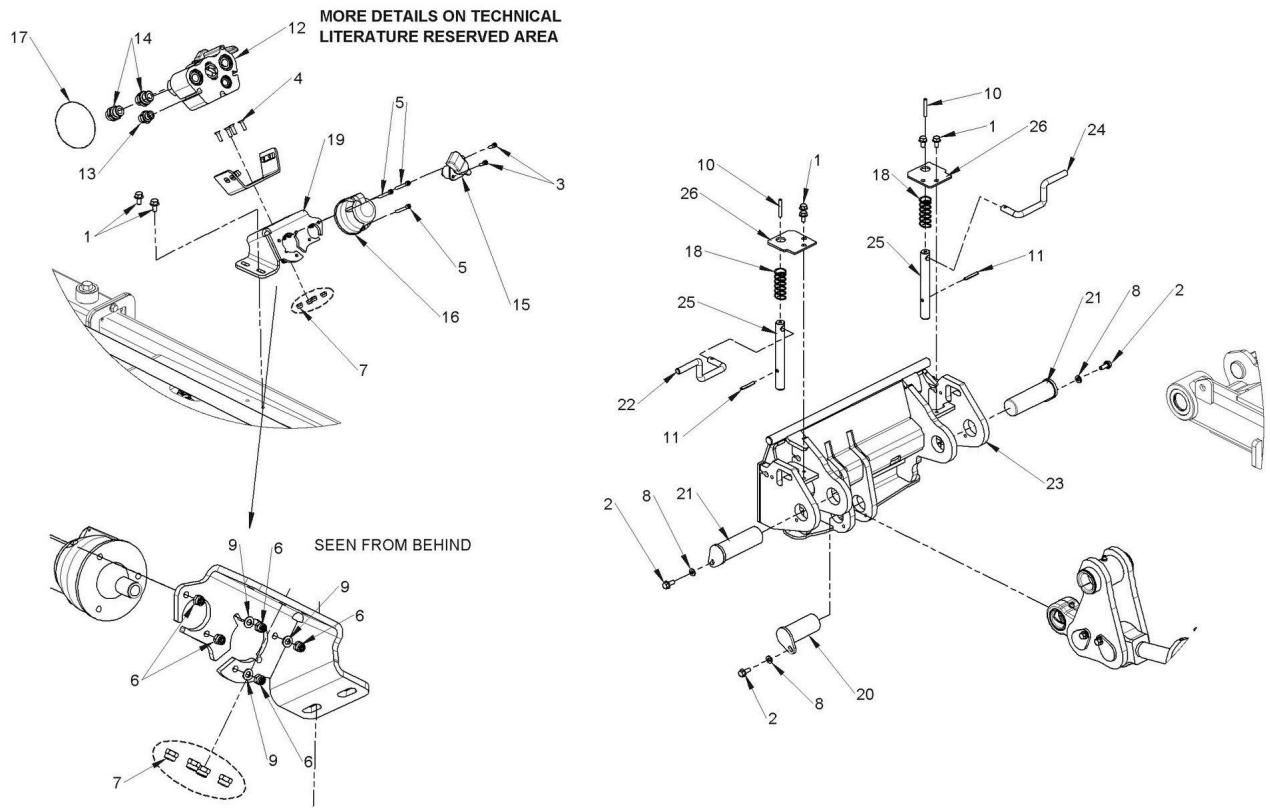
STOP ARM PIN

1.00000



Component list [TAV. 34 TILTING PLATE]

Pos.	Code	Description	Q.ty
1	C019202	DIN 6921 M8x20 FLANGED HEAD SCREW	4.00000
2	C023041	M8 NORD LOCK WASHER	4.00000
3	C033001	MALE-MALE CONNECTOR 3/8" G - 12 L	2.00000
4	C036821	CYLINDER SEAL KIT BORE 90 ROD 35	1.00000
5	C037641	FLANGED BUSHING $\varnothing 40 \times 44 \times 55 \times 25$	2.00000
6	C037689	SIBO BUSHING 50x40x50	2.00000
7	C090030	GREASER NIPPLE M10x1 UNI 7663A	3.00000
8	C281713	COUPLING PLATE ROD	1.00000
9	C281765	FLANGED PIN $\varnothing 40$ L=90	2.00000
10	C281773	90-35-236 TILT PLATE CYLINDER M1 7-8 SD 7-8	1.00000
11	C281779	PIN $\varnothing 40$ L=155	2.00000
12	C281780	FIRST TILT LEVER	1.00000



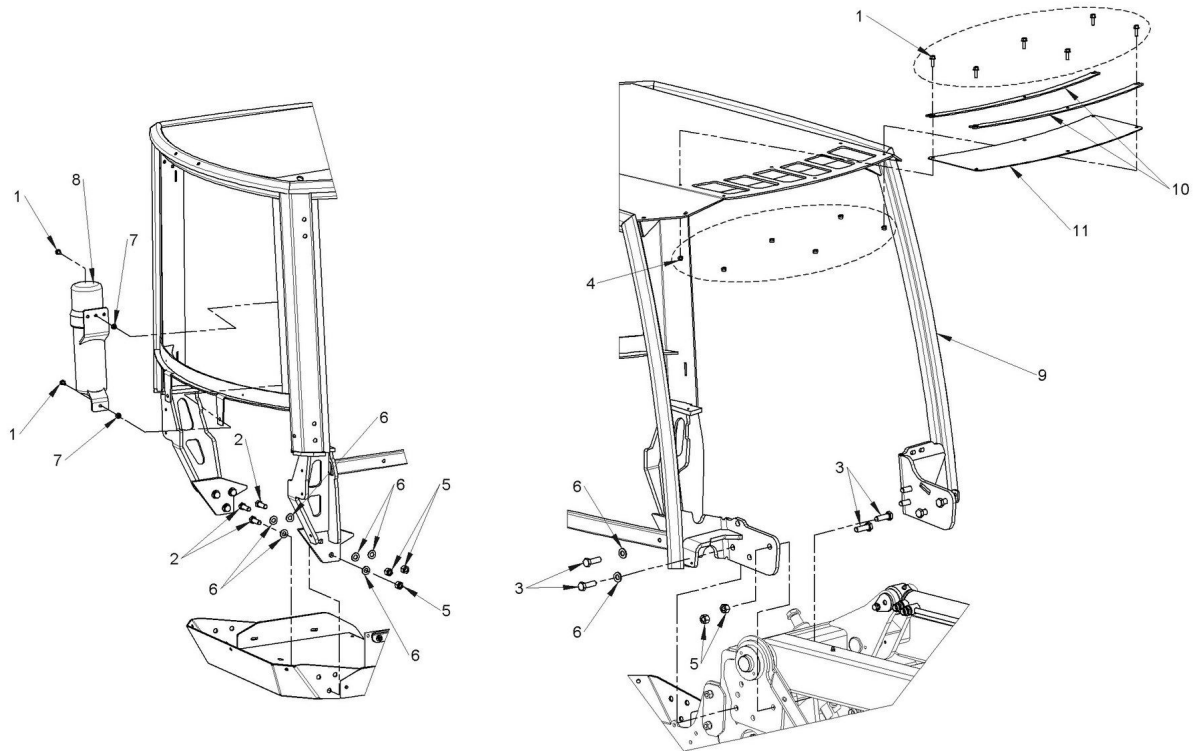
Component list [TAV. 35 COUPLING PLATE]

Pos.	Code	Description	Q.ty
1	C019201	DIN 6921 M8x16 FLANGED HEAD SCREW	6.00000
2	C019202	DIN 6921 M8x20 FLANGED HEAD SCREW	3.00000
3	C020036	UNI EN ISO 4762 M5X16 HEX SOCKET HEAD CAP SCREW	2.00000
4	C020187	UNI 5933 M6x20 HEX SOCKET COUNTERSUNK CAP SCREW	4.00000
5	C020267	UNI EN ISO 4762 M5x40 HEX SOCKET HEAD CAP SCREW	3.00000
6	C021102	UNI 7473 SELF-LOCKING NUT M5	5.00000
7	C021104	UNI 7473 SELF-LOCKING NUT M6	4.00000
8	C023041	M8 NORD LOCK WASHER	3.00000
9	C023072	UNI 6592 FLAT WASHER M5 - 5,3x10x1	3.00000
10	C028249	ISO 2338 PIN Ø6x45	2.00000
11	C028267	SPRING TYPE STRAIGHT PIN Ø6x40 UNI 6875	2.00000
12	C030497	HYDRAULIC MULTICONNECTOR, MACHINE 3 WAY	1.00000
13	C033001	MALE-MALE CONNECTOR 3/8" G - 12 L	1.00000
14	C033003	MALE-MALE CONNECTOR 1/2" G - 15L	2.00000
15	C036431	12V 3 POLES FEMALE SOCKET	1.00000
16	C038193	7 POLES SOCKET, MACHINE SIDE	1.00000
17	C038772	LATCH	1.00000



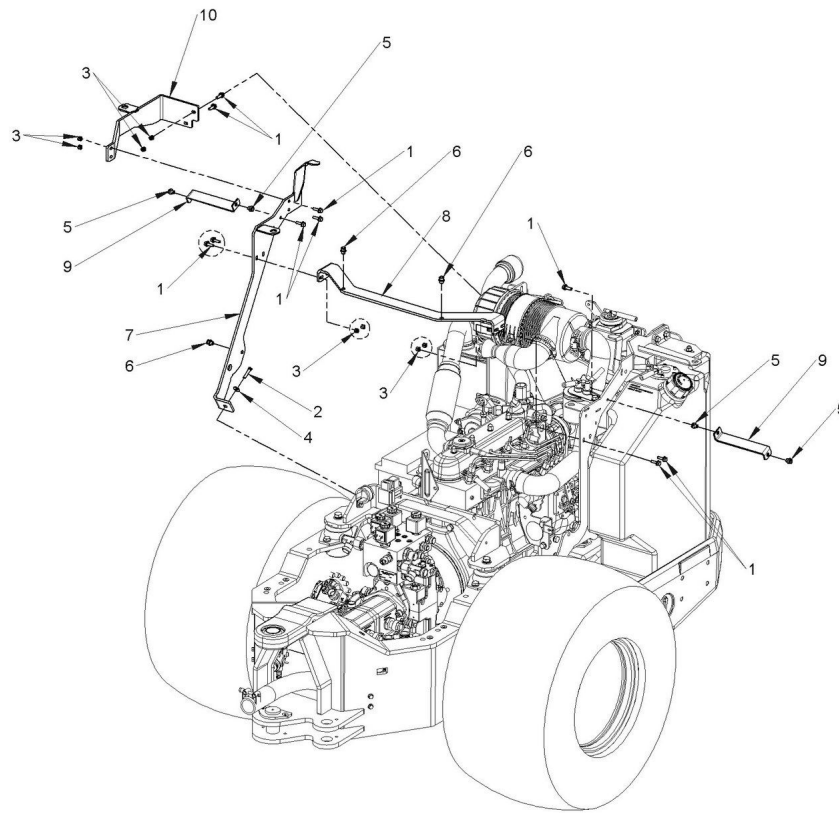
Draft and part list report
Serial n / code M364676 / C963030
Description MULTIONE 8.4SK STAGE3

18	C220330	COMPRESSION SPRING	2.00000
19	C281640	MULTICONNECTOR PLATE SUPPORT	1.00000
20	C281765	FLANGED PIN Ø40 L=90	1.00000
21	C281799	PIN Ø40 L=120	2.00000
22	C281827	LEFT LEVER, COUPLING PLATE	1.00000
23	C281860	COUPLING PLATE	1.00000
24	C281869	RIGHT LEVER, COUPLING PLATE	1.00000
25	C281870/L	LOCKIN ATTACHMENTS PIN	2.00000
26	C281871	CENTERING PIN PLATE	2.00000



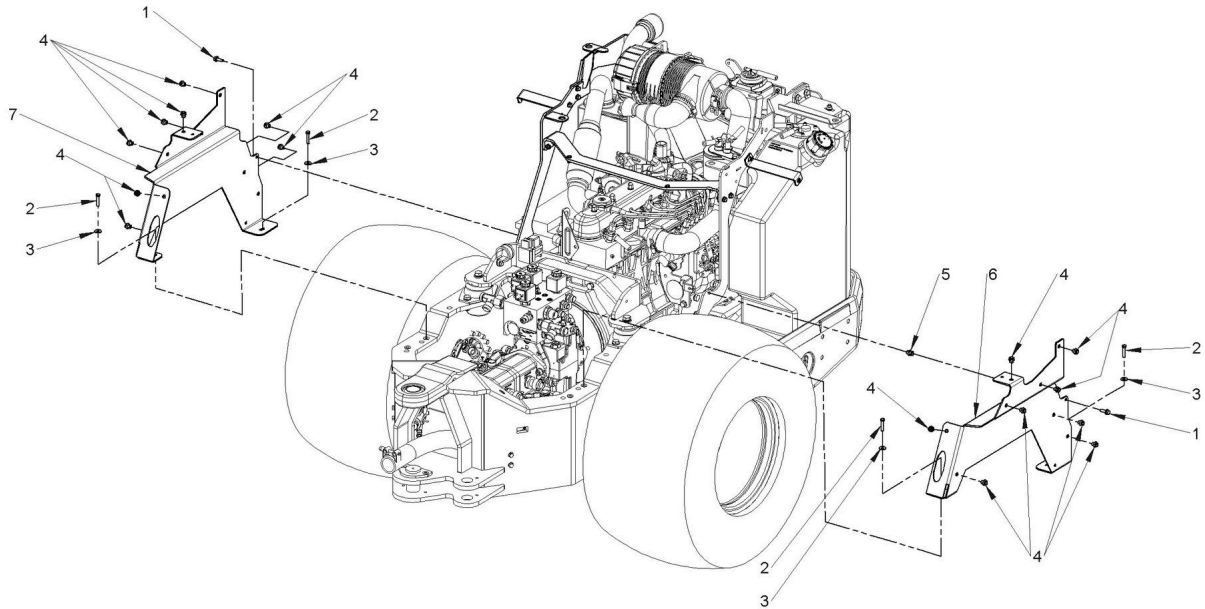
Component list [TAV. 36 ROLLBAR]

Pos.	Code	Description	Q.ty
1	C019212	DIN 6921 M6x20 FLANGED HEAD SCREW	8.00000
2	C020133	HEXAGON HEAD BOLT 10.9 M12x35 ISO 4017	6.00000
3	C020139	HEXAGON HEAD SCREW M12x40 UNI 5739	8.00000
4	C021104	UNI 7473 SELF-LOCKING NUT M6	6.00000
5	C021504	SLOTTED AND CASTLE HEXAGON NUTS M12 DIN980	8.00000
6	C023102	UNI 6592 FLAT WASHER M12 - 13x24x2,5	16.00000
7	C028271	THREAD INSERT M6	2.00000
8	C030810	MANUAL HOLDER	1.00000
9	C282200	ROLL-BAR FRAME	1.00000
10	C282352	ROOF PLEXIGLASS FIXING PLATE	2.00000
11	C283051	ROOF PLEXIGLASS	1.00000



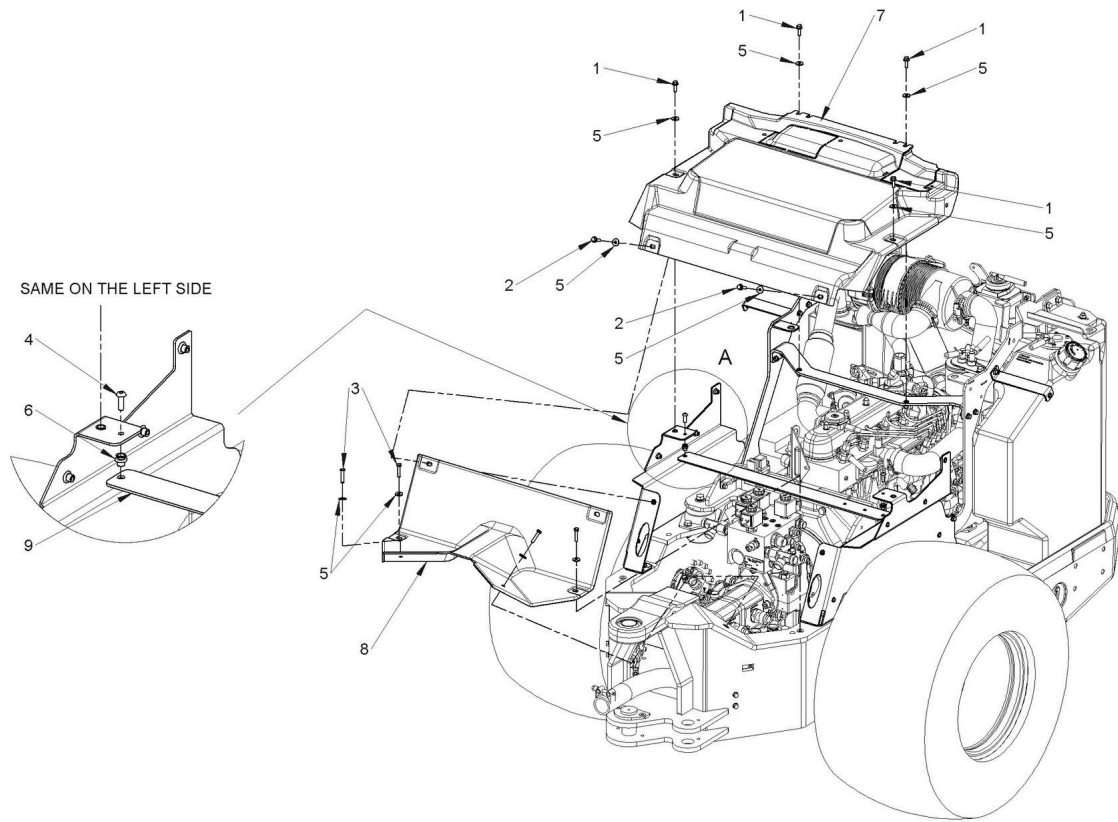
Component list [TAV. 37 REAR COVER SUPPORT]

Pos.	Code	Description	Q.ty
1	C019212	DIN 6921 M6x20 FLANGED HEAD SCREW	10.00000
2	C020053	UNI 5739 M6x30 HEX HEAD SCREW	1.00000
3	C021104	UNI 7473 SELF-LOCKING NUT M6	8.00000
4	C023110	UNI 6593 LARGE WASHER M6 - 6,5x18x1,5	1.00000
5	C028271	THREAD INSERT M6	4.00000
6	C028291	THREAD INSERT M6	3.00000
7	C284655	REAR RIGHT PLASTIC COVER SUPPORT	1.00000
8	C284659	REAR CENTER PLASTIC COVER SUPPORT REV.01	1.00000
9	C284666	SIDE PLASTIC COVER SUPPORT	2.00000
10	C284668	MUFFLER SIDE PLASTIC COVER SUPPORT	1.00000



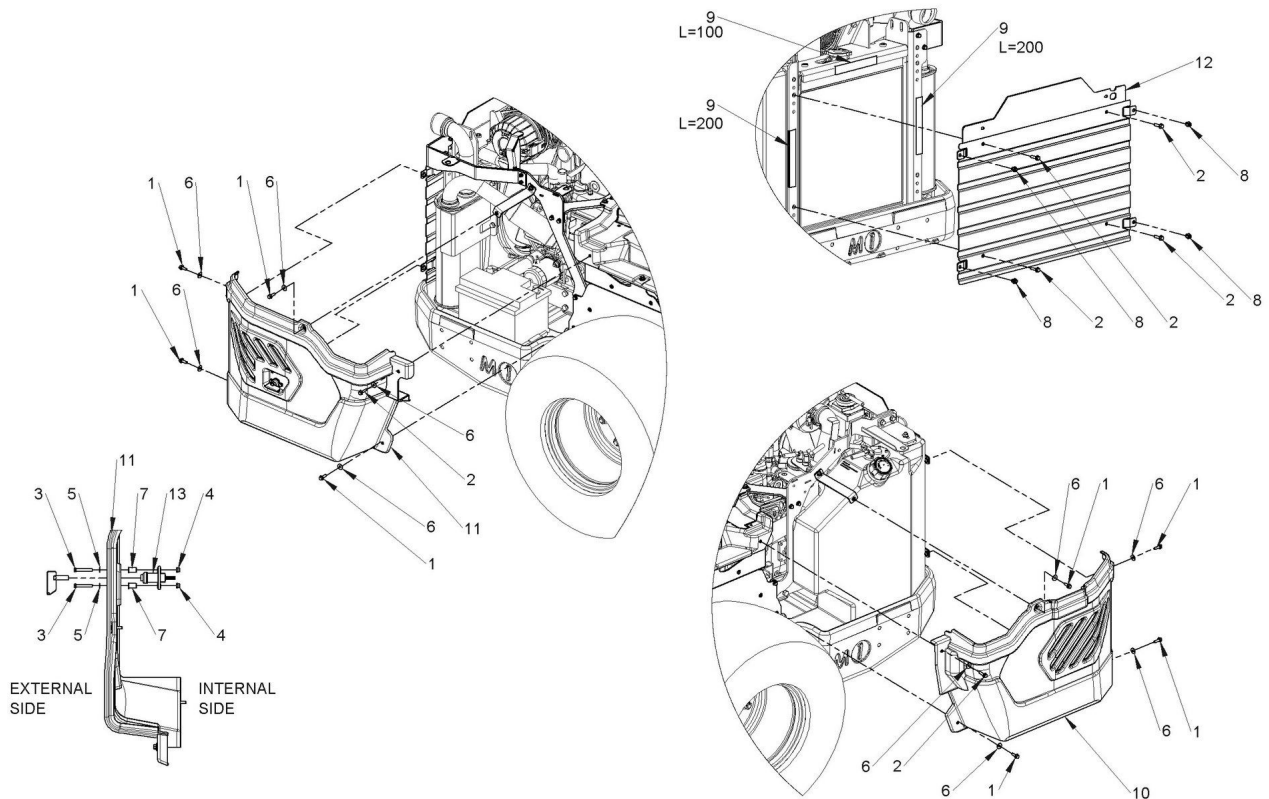
Component list [TAV. 38 REAR MUDGUARDS SUPPORT]

Pos.	Code	Description	Q.ty
1	C019212	DIN 6921 M6x20 FLANGED HEAD SCREW	2.00000
2	C020053	UNI 5739 M6x30 HEX HEAD SCREW	4.00000
3	C023110	UNI 6593 LARGE WASHER M6 - 6,5x18x1,5	4.00000
4	C028271	THREAD INSERT M6	16.00000
5	C028291	THREAD INSERT M6	1.00000
6	C281875	LEFT MUDGUARD SUPPORT	1.00000
7	C281876	RIGHT MUDGUARD COVER SUPPORT	1.00000



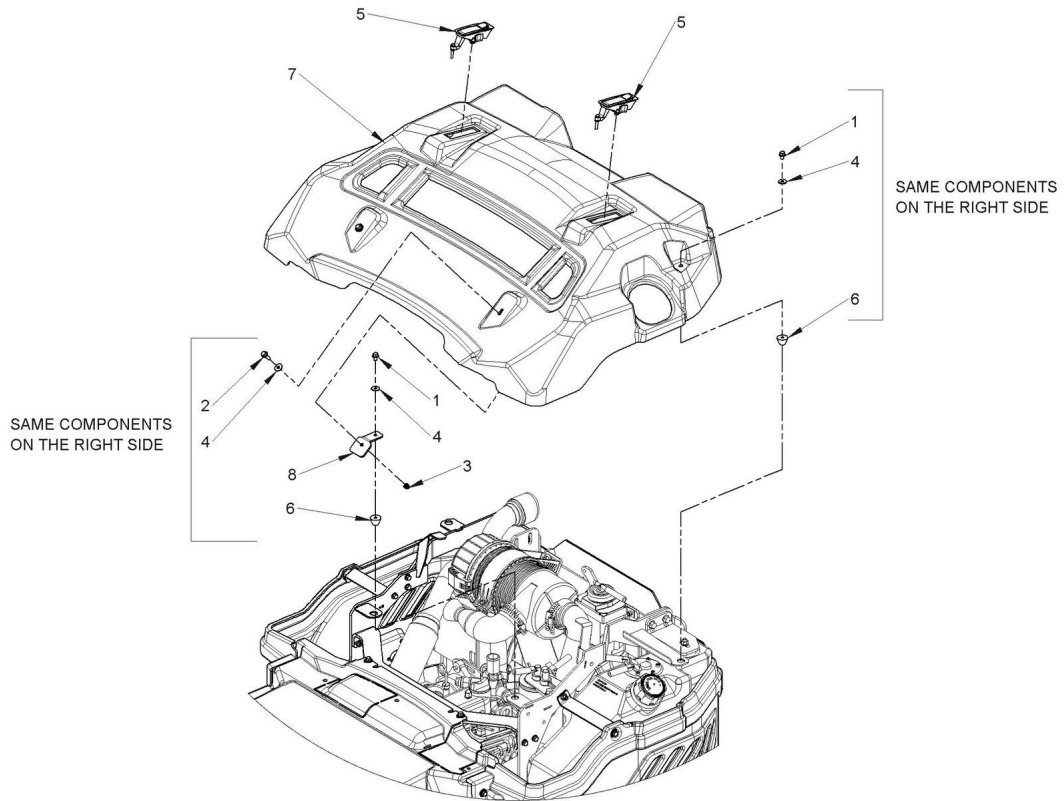
Component list [TAV. 39 OVER ARTICULATION AND PUMPS COVER]

Pos.	Code	Description	Q.ty
1	C019212	DIN 6921 M6x20 FLANGED HEAD SCREW	4.00000
2	C019213	DIN 6921 M6x25 FLANGED HEAD SCREW	2.00000
3	C020054	HEXAGON HEAD SCREW M6x35 ZB UNI 4017	4.00000
4	C020548	ISO 7380 M6x20 HEX SOCKET OVAL HEAD SCREW	2.00000
5	C023110	UNI 6593 LARGE WASHER M6 - 6,5x18x1,5	10.00000
6	C028271	THREAD INSERT M6	2.00000
7	C041419	OVER PUMPS COVER	1.00000
8	C041420	OVER ARTICULATION COVER	1.00000
9	C285214	STEEL MUDGUARD JOINT ROD	1.00000



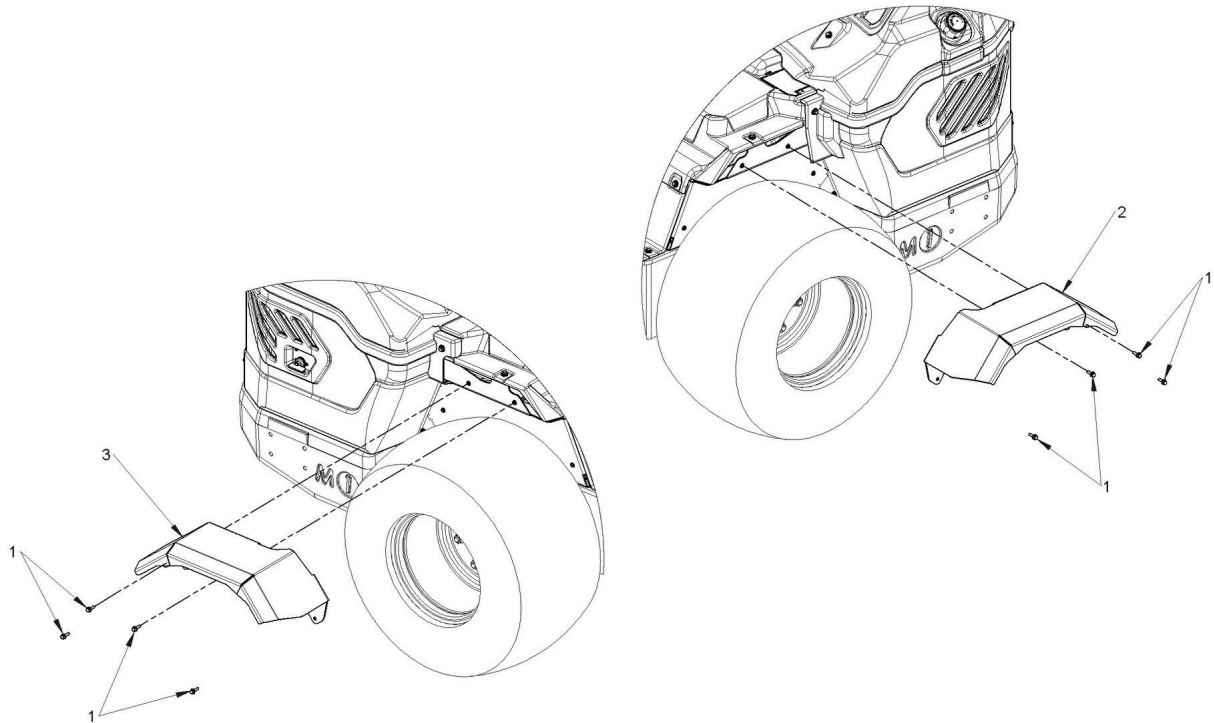
Component list [TAV. 40 REAR LEFT AND RIGHT SIDE AND ENGINE COOLER NET]

Pos.	Code	Description	Q.ty
1	C019212	DIN 6921 M6x20 FLANGED HEAD SCREW	8.00000
2	C019213	DIN 6921 M6x25 FLANGED HEAD SCREW	6.00000
3	C020055	UNI 5739 M6x40 HEX HEAD SCREW	2.00000
4	C021104	UNI 7473 SELF-LOCKING NUT M6	2.00000
5	C023090	UNI 6592 FLAT WASHER M6 - 6,4x12x1,6	2.00000
6	C023110	UNI 6593 LARGE WASHER M6 - 6,5x18x1,5	10.00000
7	C028270	THREAD INSERT M8	2.00000
8	C028271	THREAD INSERT M6	4.00000
9	C035000	FOAM BLACK ADHESIVE 25x5	3.00000
10	C041421P	PE REAR LEFT SIDE COVER	1.00000
11	C041422P	PE REAR RIGHT SIDE COVER	1.00000
12	C283067	RADIATOR NET	1.00000
13	C036100	100A BATTERY DISCONNECTOR	1.00000
14	C038174	BATTERY SWITCH RED KEY	1.00000



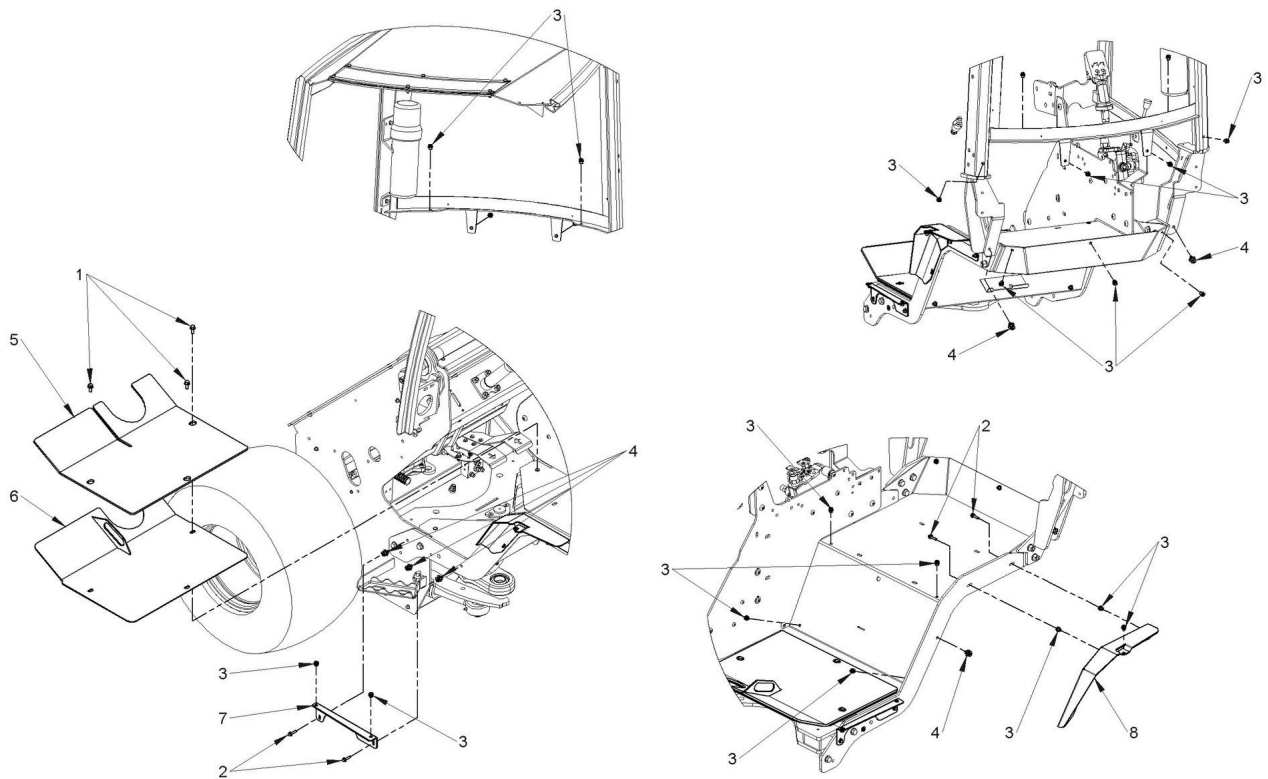
Component list [TAV. 41 OVER ENGINE COVER]

Pos.	Code	Description	Q.ty
1	C019210	DIN 6921 M6x10 FLANGED HEAD SCREW	4.00000
2	C019212	DIN 6921 M6x20 FLANGED HEAD SCREW	2.00000
3	C021104	UNI 7473 SELF-LOCKING NUT M6	2.00000
4	C023110	UNI 6593 LARGE WASHER M6 - 6,5x18x1,5	6.00000
5	C035045	LOCK HANDLE	2.00000
6	C035142	PARABOLIC SILENT BLOCK Ĩ24 H=16	4.00000
7	C041472P	PE ENGINE HOOD ASSY	1.00000
8	C282241	SILENT BLOCK BRACKET	2.00000



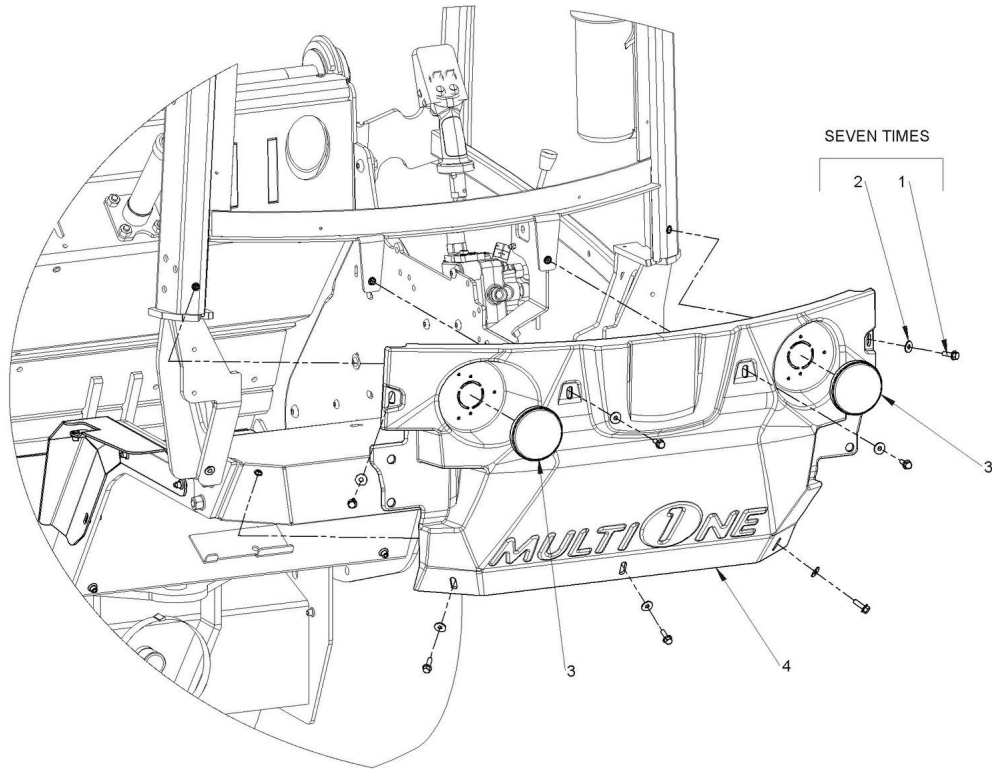
Component list [TAV. 42 REAR MUDGUARDS]

Pos.	Code	Description	Q.ty
1	C019212	DIN 6921 M6x20 FLANGED HEAD SCREW	8.00000
2	C285020	REAR LEFT MUD GUARD M1 6-7-8	1.00000
3	C285021	REAR RIGHT MUD GUARD M1 6-7-8	1.00000



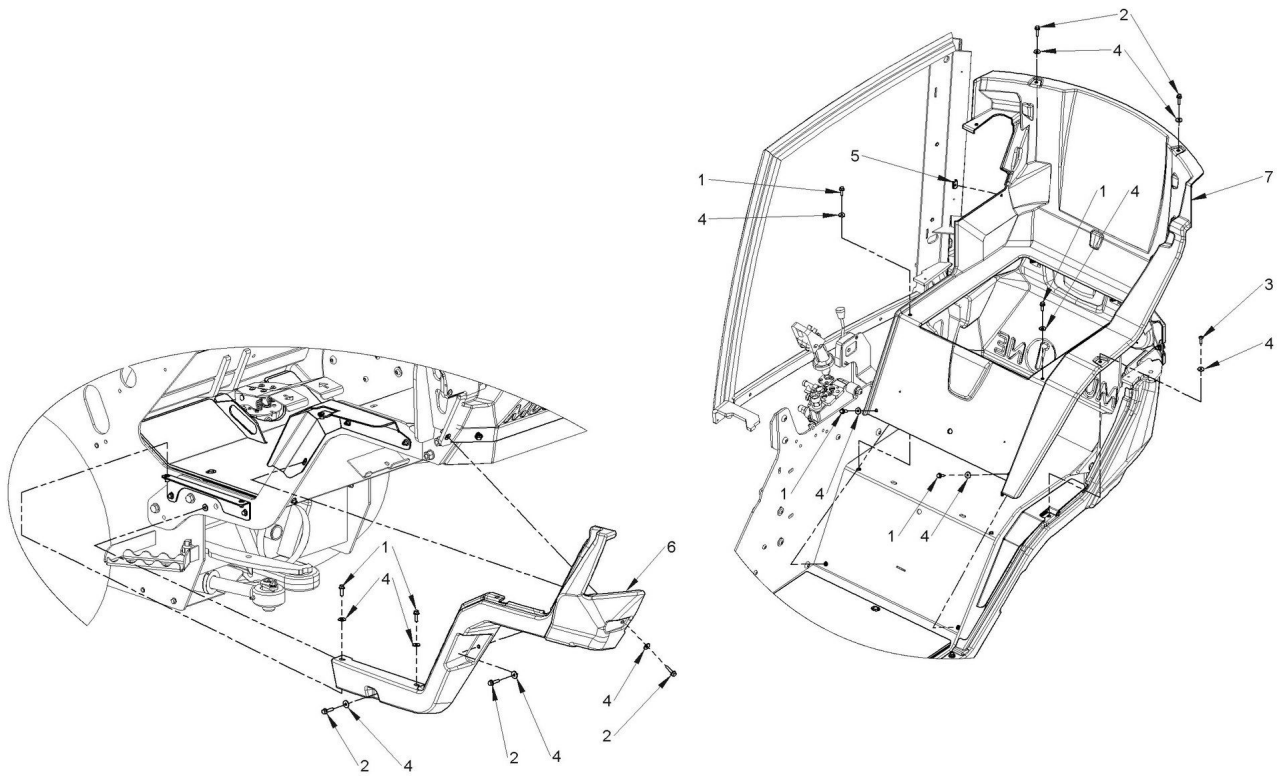
Component list [TAV. 43 FEET PLATE]

Pos.	Code	Description	Q.ty
1	C019202	DIN 6921 M8x20 FLANGED HEAD SCREW	3.00000
2	C019213	DIN 6921 M6x25 FLANGED HEAD SCREW	4.00000
3	C028271	THREAD INSERT M6	18.00000
4	C028288	THREAD INSERT M6	6.00000
5	C029259	ROOF PADS FOR MULTIONE M1	1.00000
6	C281747	UNDER FEET PLATFORM	1.00000
7	C281894	SUPPORT FOR PLASTIC STEP FRAME M1 3->10	1.00000
8	C281895	UNDER SEAT COVER SUPPORT	1.00000



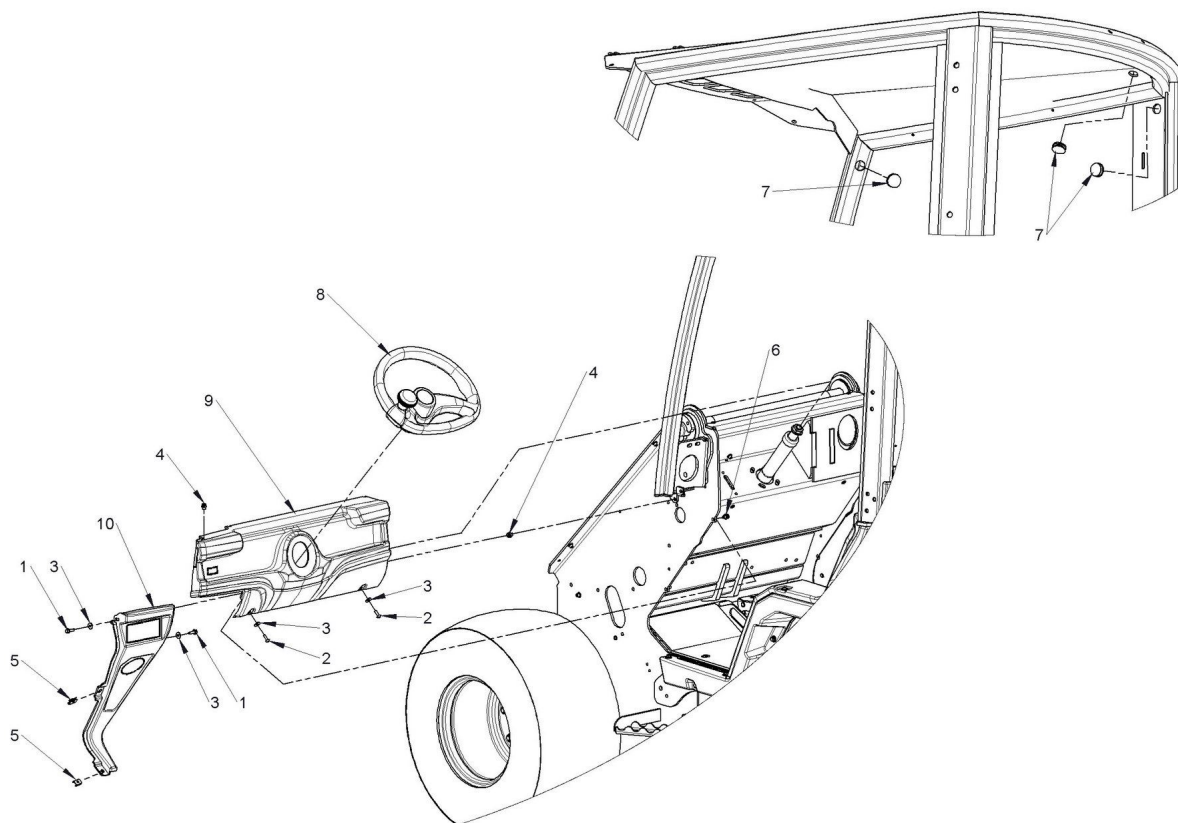
Component list [TAV. 44 REAR CABIN COVER]

Pos.	Code	Description	Q.ty
1	C019212	DIN 6921 M6x20 FLANGED HEAD SCREW	7.00000
2	C023110	UNI 6593 LARGE WASHER M6 - 6,5x18x1,5	7.00000
3	C034018	Ø80 RED RETRO REFLECTOR	2.00000
4	C041427P	PE BACK CABIN COVER W/OUT A/C	1.00000



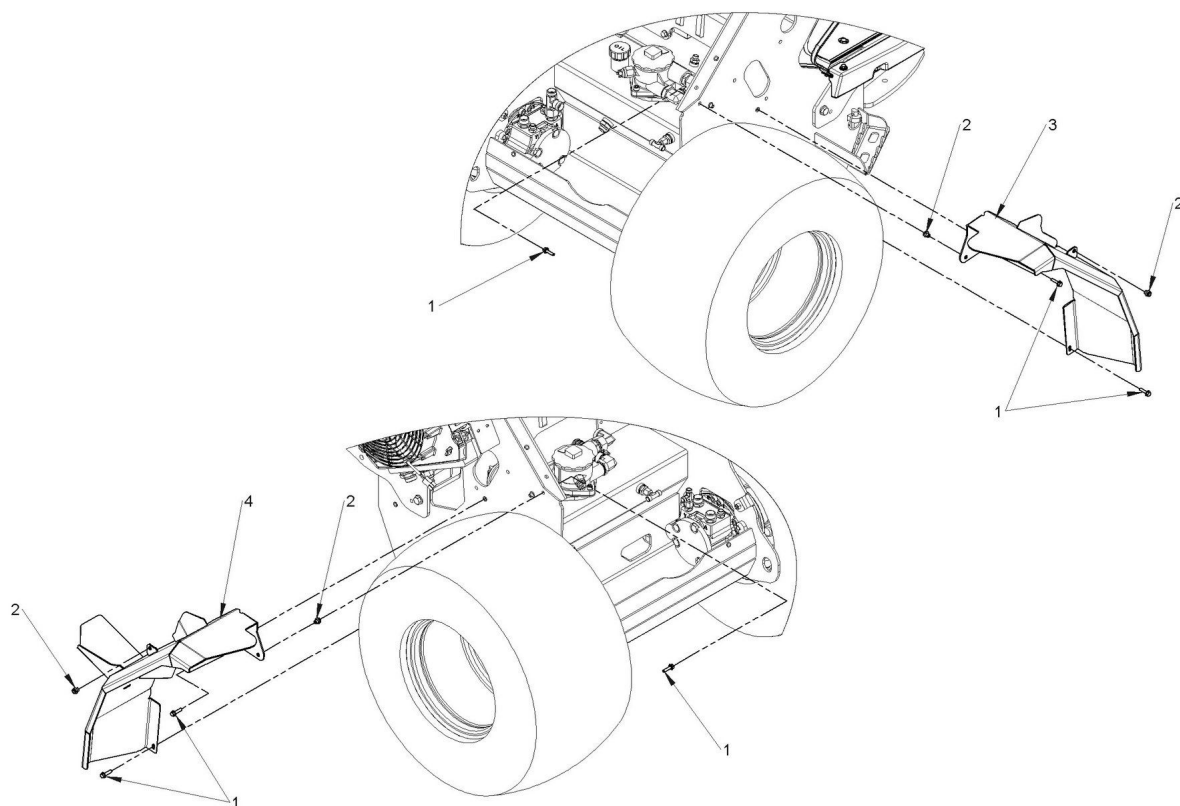
Component list [TAV. 45 DOOR PROFILE AND UNDERSEAT]

Pos.	Code	Description	Q.ty
1	C019212	DIN 6921 M6x20 FLANGED HEAD SCREW	6.00000
2	C019213	DIN 6921 M6x25 FLANGED HEAD SCREW	5.00000
3	C020548	ISO 7380 M6x20 HEX SOCKET OVAL HEAD SCREW	1.00000
4	C023110	UNI 6593 LARGE WASHER M6 - 6,5x18x1,5	12.00000
5	C028285	MULTITHREAD U-TYPE NUT M6	1.00000
6	C041443P	PE LEFT DOOR SLAM	1.00000
7	C041684	UNDER SEAT COVER	1.00000



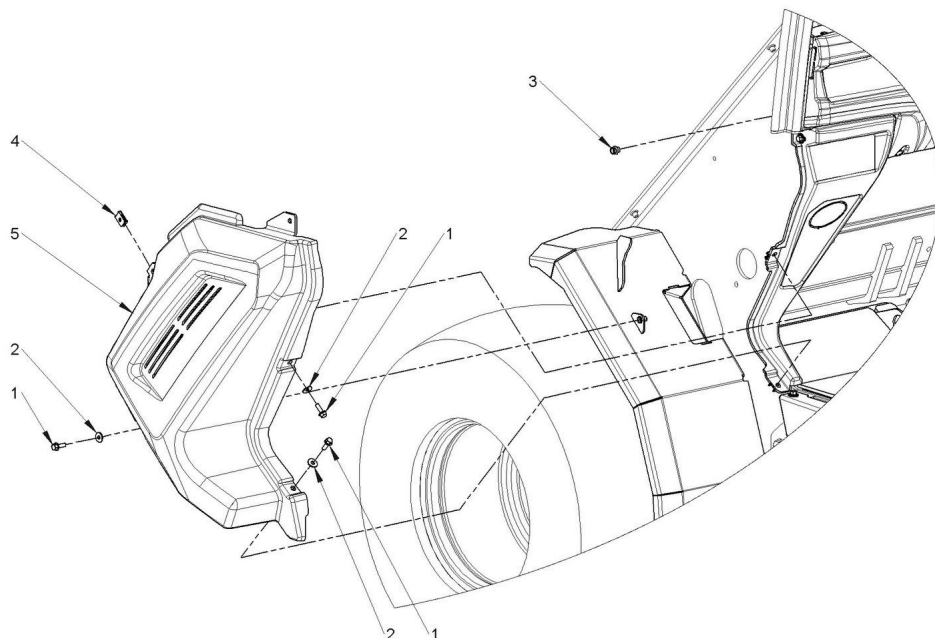
Component list [TAV. 46 FRONT COVER]

Pos.	Code	Description	Q.ty
1	C019212	DIN 6921 M6x20 FLANGED HEAD SCREW	2.00000
2	C020548	ISO 7380 M6x20 HEX SOCKET OVAL HEAD SCREW	2.00000
3	C023110	UNI 6593 LARGE WASHER M6 - 6,5x18x1,5	4.00000
4	C028271	THREAD INSERT M6	2.00000
5	C028285	MULTITHREAD U-TYPE NUT M6	2.00000
6	C028291	THREAD INSERT M6	1.00000
7	C036039	CLOSED FAIRLEAD Ø19	3.00000
8	C036466	STEERING WHEEL BLACK	1.00000
9	C041677	FRONT DASHBOARD NO/HEAT NEWGEN M1 6-10	1.00000
10	C041682	LOWER DOOR PROTECTION M1 6-10 NEWGEN	1.00000



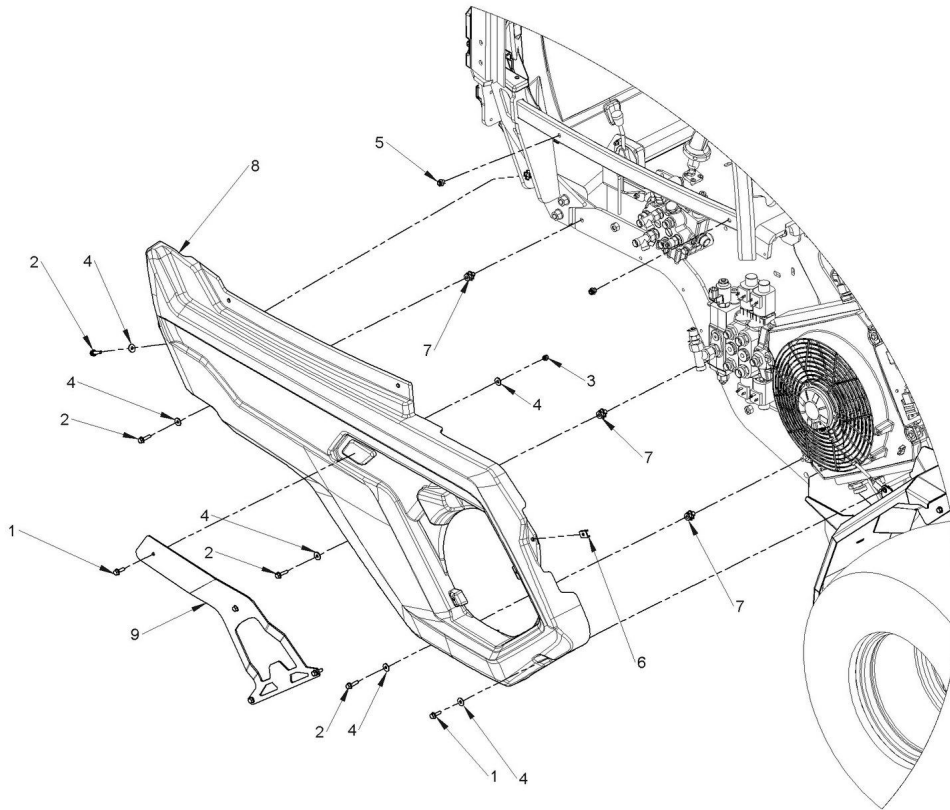
Component list [TAV. 47 FRONT MUDGUARD]

Pos.	Code	Description	Q.ty
1	C019213	DIN 6921 M6x25 FLANGED HEAD SCREW	6.00000
2	C028271	THREAD INSERT M6	4.00000
3	C285018	FRONT LEFT MUD GUARD M1 6-7-8	1.00000
4	C285019	FRONT RIGHT MUD GUARD M1 6-7-8	1.00000



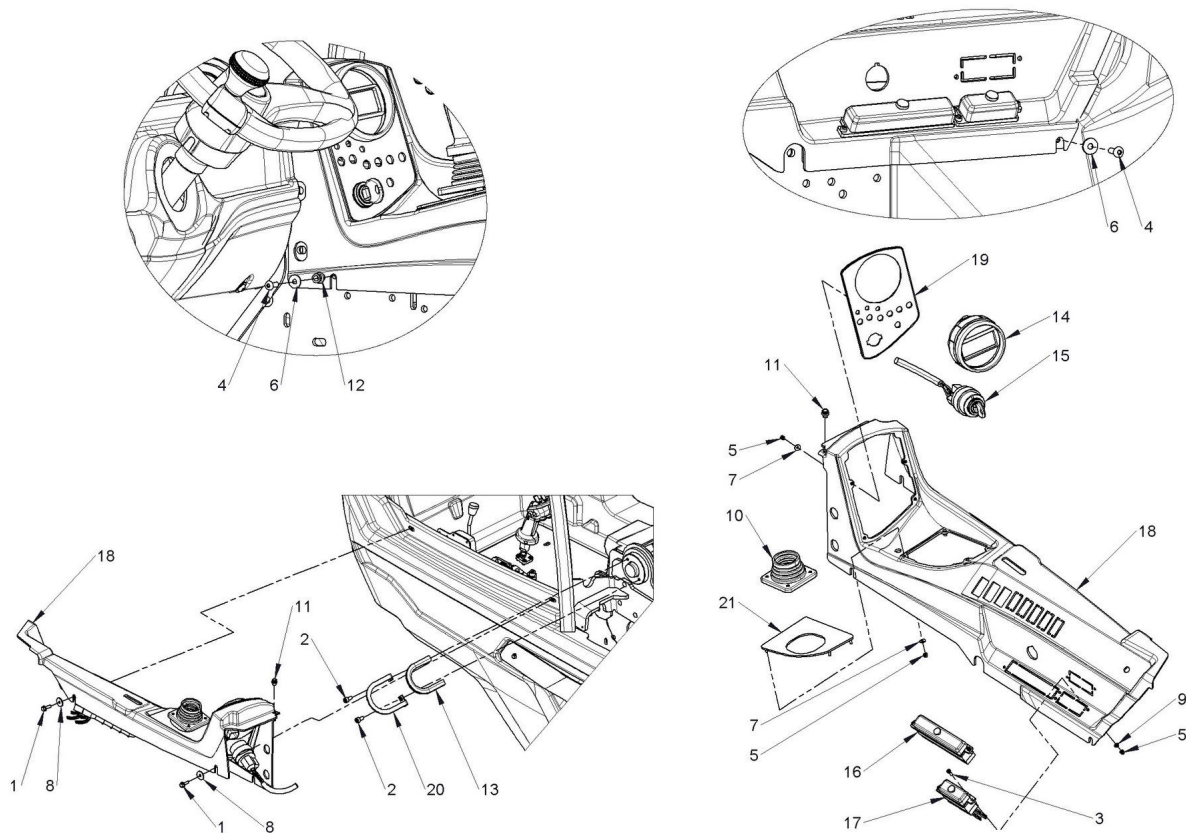
Component list [TAV. 48 FRONT LEFT COVER]

Pos.	Code	Description	Q.ty
1	C019212	DIN 6921 M6x20 FLANGED HEAD SCREW	3.00000
2	C023110	UNI 6593 LARGE WASHER M6 - 6,5x18x1,5	3.00000
3	C028271	THREAD INSERT M6	1.00000
4	C028285	MULTITHREAD U-TYPE NUT M6	1.00000
5	C041431P	PE FRONT LEFT SIDE COVER	1.00000



Component list [TAV. 49 FRONT RIGHT COVER]

Pos.	Code	Description	Q.ty
1	C019212	DIN 6921 M6x20 FLANGED HEAD SCREW	5.00000
2	C019213	DIN 6921 M6x25 FLANGED HEAD SCREW	4.00000
3	C021104	UNI 7473 SELF-LOCKING NUT M6	4.00000
4	C023110	UNI 6593 LARGE WASHER M6 - 6,5x18x1,5	9.00000
5	C028271	THREAD INSERT M6	2.00000
6	C028285	MULTITHREAD U-TYPE NUT M6	1.00000
7	C028288	THREAD INSERT M6	3.00000
8	C041439P	PE FRONT RIGHT SIDE COVER	1.00000
9	C285163	OIL COOLER FAN PROTECTION	1.00000



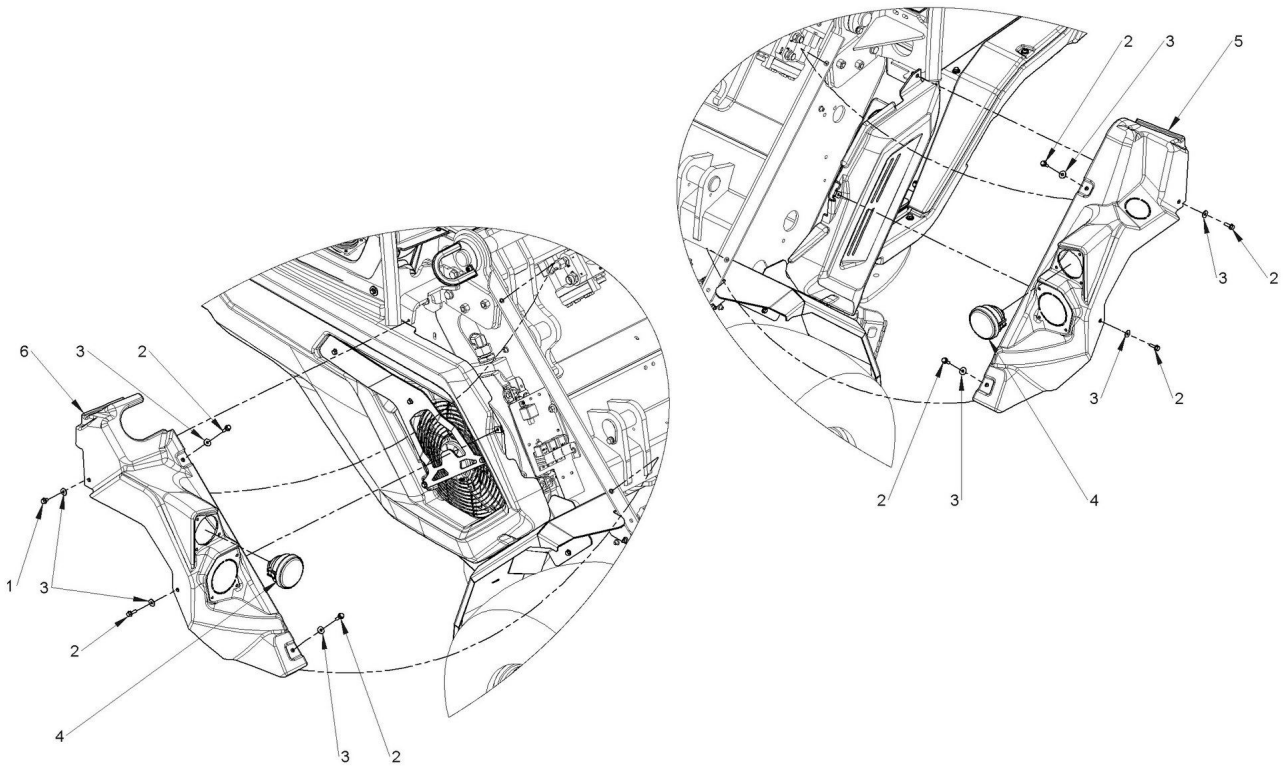
Component list [TAV. 50 RIGHT SIDE CONSOLE]

Pos.	Code	Description	Q.ty
1	C019212	DIN 6921 M6x20 FLANGED HEAD SCREW	2.00000
2	C020230	UNI EN ISO 4762 M8x16 HEX SOCKET HEAD CAP SCREW	2.00000
3	C020283	UNI EN ISO 4762 M4x16 HEX SOCKET HEAD CAP SCREW	4.00000
4	C020548	ISO 7380 M6x20 HEX SOCKET OVAL HEAD SCREW	2.00000
5	C021103	UNI 7473 SELF-LOCKING NUT M4	12.00000
6	C023110	UNI 6593 LARGE WASHER M6 - 6,5x18x1,5	2.00000
7	C023111	UNI 6593 LARGE WASHER M4 - 4,3x12x1	8.00000
8	C023122	UNI 6593 EXTRA LARGE WASHER M6 6,5x24x2	2.00000
9	C023123	UNI 6592 FLAT WASHER M4 - 4,3x9x0,8	4.00000
10	C028056	JOYSTICK RUBBER PROTECTION	1.00000
11	C028271	THREAD INSERT M6	1.00000
12	C028291	THREAD INSERT M6	1.00000
13	C035002	RUBBER PROFILE 10X14	1.00000
14	C038154	Ø100 LCD DECK	1.00000
15	C038155	IGNITION SWITCH	1.00000
16	C038196	8 WAY FUSEBOX W/KNOB	1.00000
17	C038197	4 WAY FUSEBOX W/KNOB	1.00000



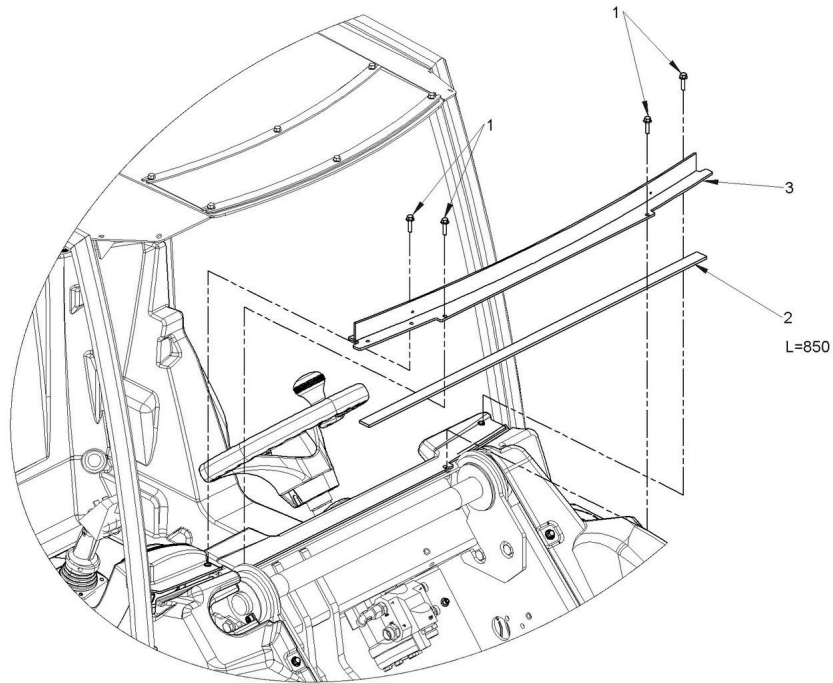
Draft and part list report
Serial n / code M364676 / C963030
Description MULTIONE 8.4SK STAGE3

18	C041694	SIDE DASHBOARD M1 6-11 2° GEN	1.00000
19	C277690	DIGITAL INSTRUMENT PANEL M1 6-8.4	1.00000
20	C281605	HOSE JUMPER	1.00000
21	C285858	MULTIFUNCTION JOYSTICK PANEL	1.00000



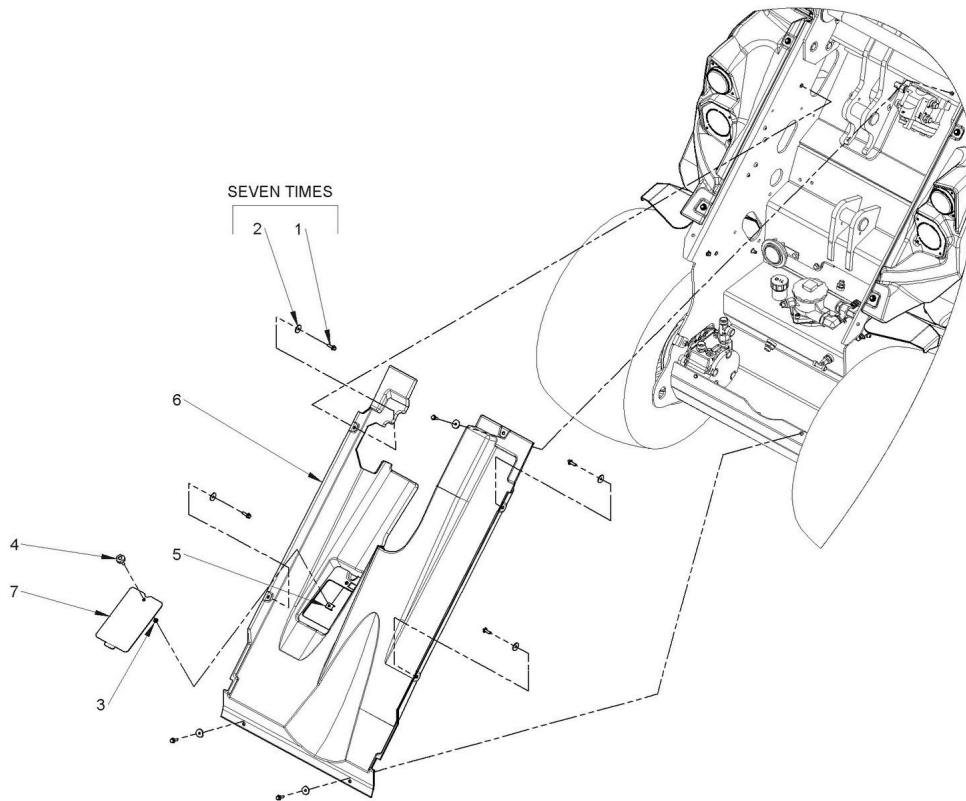
Component list [TAV. 51 WORKLIGHT SUPPORT COVER]

Pos.	Code	Description	Q.ty
1	C019210	DIN 6921 M6x10 FLANGED HEAD SCREW	1.00000
2	C019212	DIN 6921 M6x20 FLANGED HEAD SCREW	7.00000
3	C023110	UNI 6593 LARGE WASHER M6 - 6,5x18x1,5	8.00000
4	C038168	Ø85 ROUND HALOGEN WORK LIGHT	2.00000
5	C041429P	PE FRONT LEFT LIGHT SUPPORT	1.00000
6	C041430P	PE FRONT RIGHT LIGHT SUPPORT	1.00000



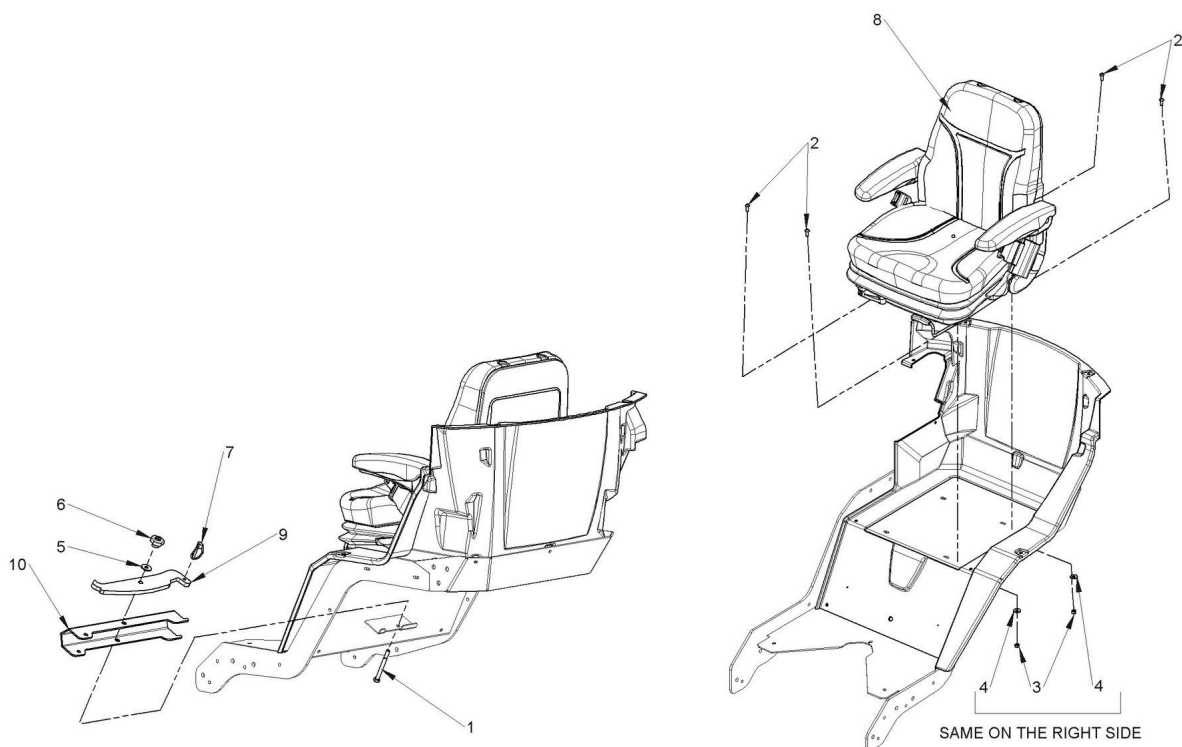
Component list [TAV. 52 WIND SCREEN BASE SUPPORT]

Pos.	Code	Description	Q.ty
1	C019213	DIN 6921 M6x25 FLANGED HEAD SCREW	4.00000
2	C035000	FOAM BLACK ADHESIVE 25x5	1.00000
3	C282239	FRONT GLASS SUPPORT	1.00000



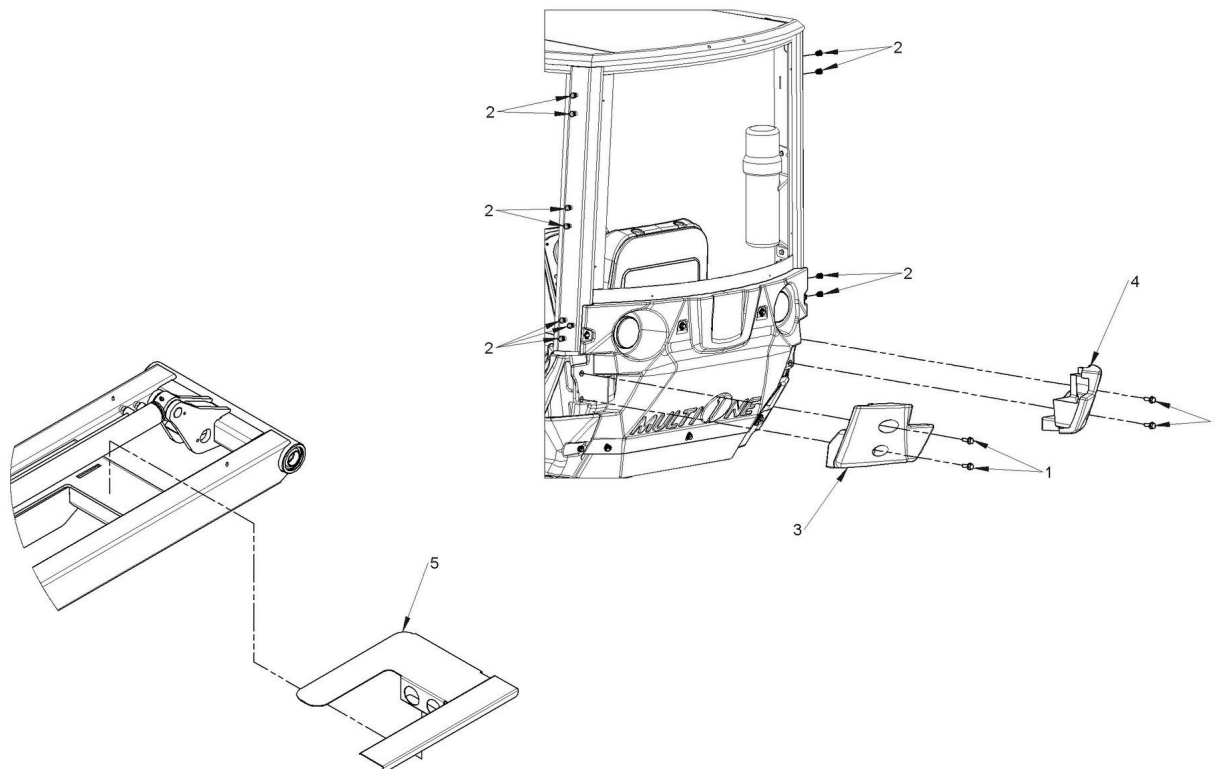
Component list [TAV. 53 UNDER BOOM COVER]

Pos.	Code	Description	Q.ty
1	C019212	DIN 6921 M6x20 FLANGED HEAD SCREW	7.00000
2	C023122	UNI 6593 EXTRA LARGE WASHER M6 6,5x24x2	7.00000
3	C023601	SPRING WASHER FOR SHAFT 5 MM	1.00000
4	C028024	THREE-LOBED LOWERED HANDWHEEL WITH M6x20 THREADED PIN	1.00000
5	C028285	MULTITHREAD U-TYPE NUT M6	1.00000
6	C041428P	PE UNDER BOOM COVER	1.00000
7	C281893	OIL TANK INSPECTION DOOR	1.00000



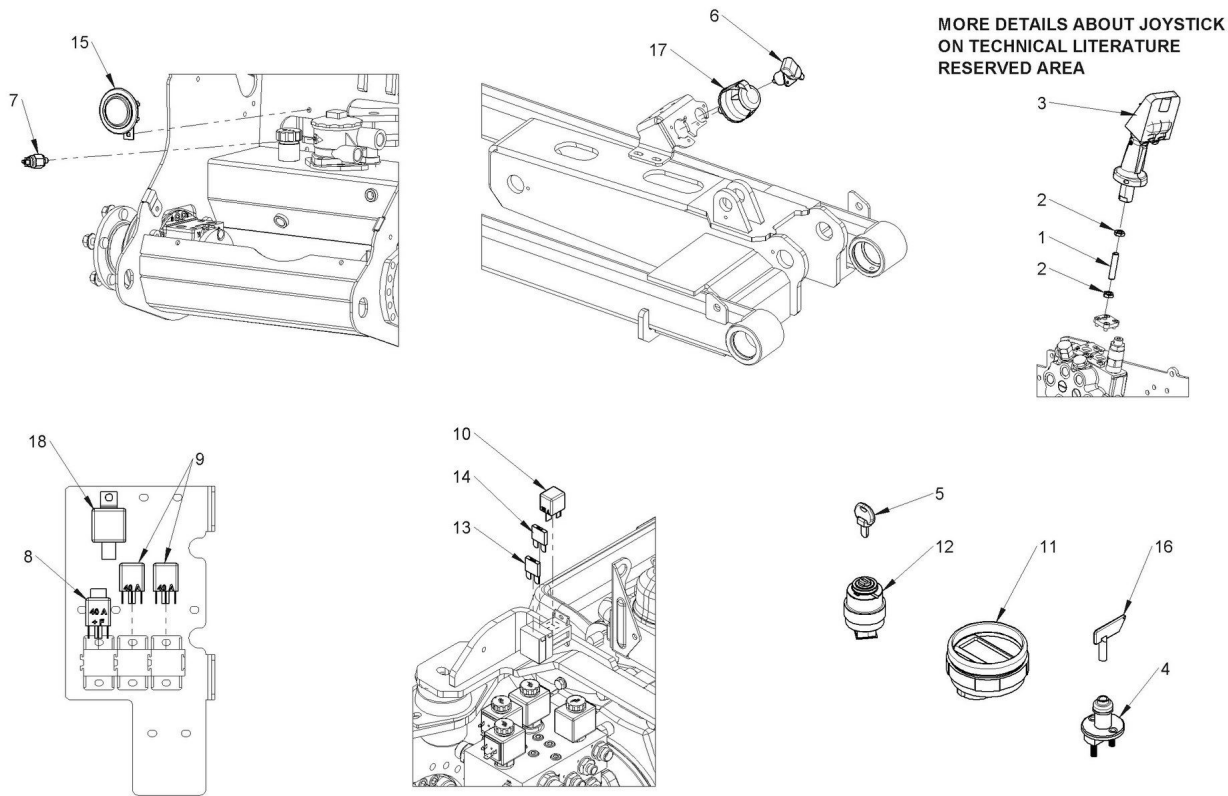
Component list [TAV. 54 SEAT]

Pos.	Code	Description	Q.ty
1	C020113	ISO 4014 M10x100 HEX HEAD SCREW	1.00000
2	C020541	ISO 7380 M8x20 HEX SOCKET OVAL HEAD SCREW	4.00000
3	C021502	SLOTTED AND CASTLE HEXAGON NUTS M8 DIN980	4.00000
4	C023100	UNI 6593 LARGE WASHER M8 - 8,5x24x2	4.00000
5	C023104	UNI 6593 LARGE WASHER M10 - 10,5x30x2,5	1.00000
6	C028015	FEMALE WHEEL KNOB M10	1.00000
7	C028201	CLICK PIN Ø6 mm	1.00000
8	C036774	SUSPENSION SEAT+HEAT+ARM	1.00000
9	C281782	ARTICULATION LOCK	1.00000
10	C281790	BOOM SAFETY LATCH	1.00000



Component list [TAV. 55 BUFFER AND BOOM PROTECTION]

Pos.	Code	Description	Q.ty
1	C019203	DIN 6921 M8x25 FLANGED HEAD SCREW	4.00000
2	C036058	CLOSED FAIRLEAD	11.00000
3	C041386	LEFT RUBBER PROTECTION M1 2-6->10-SD	1.00000
4	C041387	RIGHT RUBBER PROTECTION MK-MZ	1.00000
5	C282370	ANTI-WEAR PROTECTION FOR TUBES	1.00000



Component list [TAV. 56 ELECTRIC PARTS]

Pos.	Code	Description	Q.ty
1	C020551	THREAD BAR M10X50	1.00000
2	C021013	HEXAGON NUT M10 UNI 5589	2.00000
3	C030658	JOYSTICK HANDLE W/7POLES+TWIN PTO	1.00000
4	C036100	100A BATTERY DISCONNECTOR	1.00000
5	C036174	IGNITION KEY	1.00000
6	C036431	12V 3 POLES FEMALE SOCKET	1.00000
7	C036651	PRESSURE SWITCH 1/8" GAS	1.00000
8	C038149	12 V, 30 RELAY W/FUSE	1.00000
9	C038151	12 V, 40-30 A RELAY	2.00000
10	C038152	12 V, 70 A MAXIRELAY	1.00000
11	C038154	Ø100 LCD DECK	1.00000
12	C038155	IGNITION SWITCH	1.00000
13	C038163	30A MAXI FUSE	1.00000
14	C038164	40A MAXI FUSE	1.00000
15	C038166	HORN DEVICE	1.00000
16	C038174	BATTERY SWITCH RED KEY	1.00000
17	C038193	7 POLES SOCKET, MACHINE SIDE	1.00000

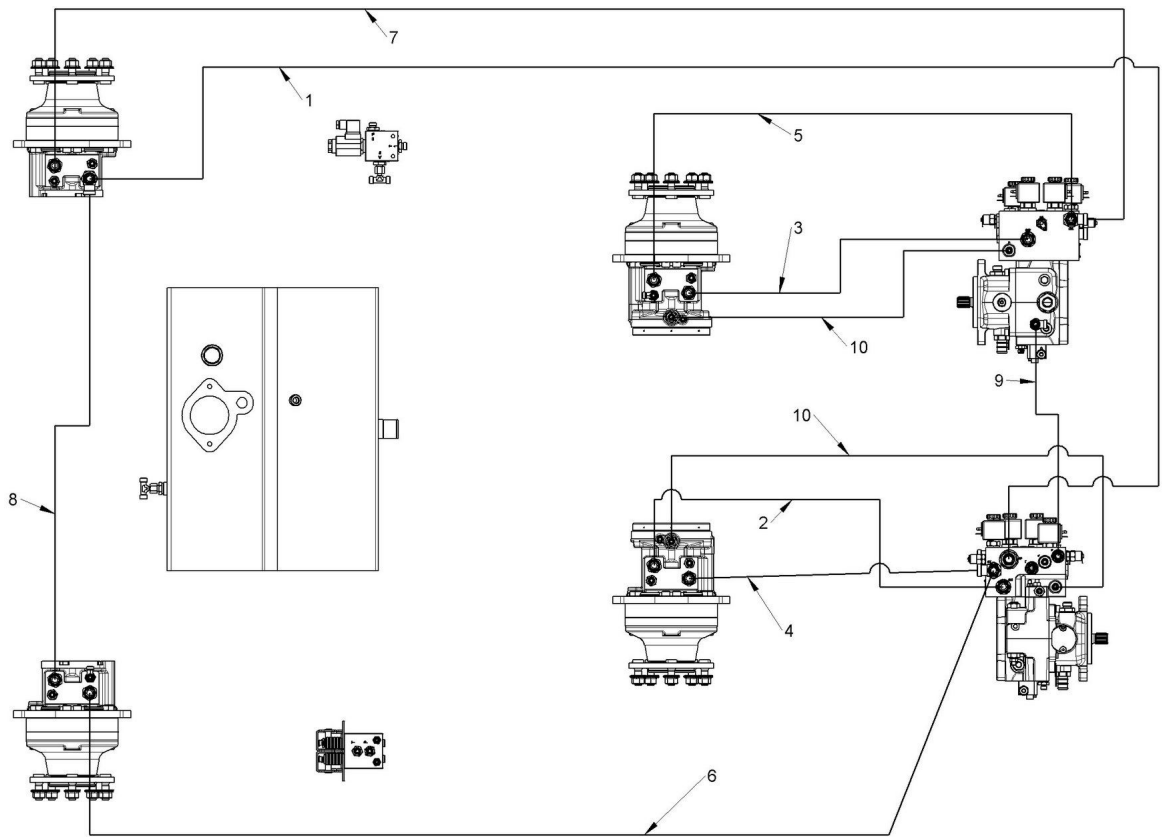


Draft and part list report
Serial n / code M364676 / C963030
Description MULTIONE 8.4SK STAGE3

18 FF162/T0070-31410

TIMER ELETTROSTOP MOTORI KUBOTA

1.00000



Component list [TAV. 57 TRANSMISSION HYDRAULIC DIAGRAM]

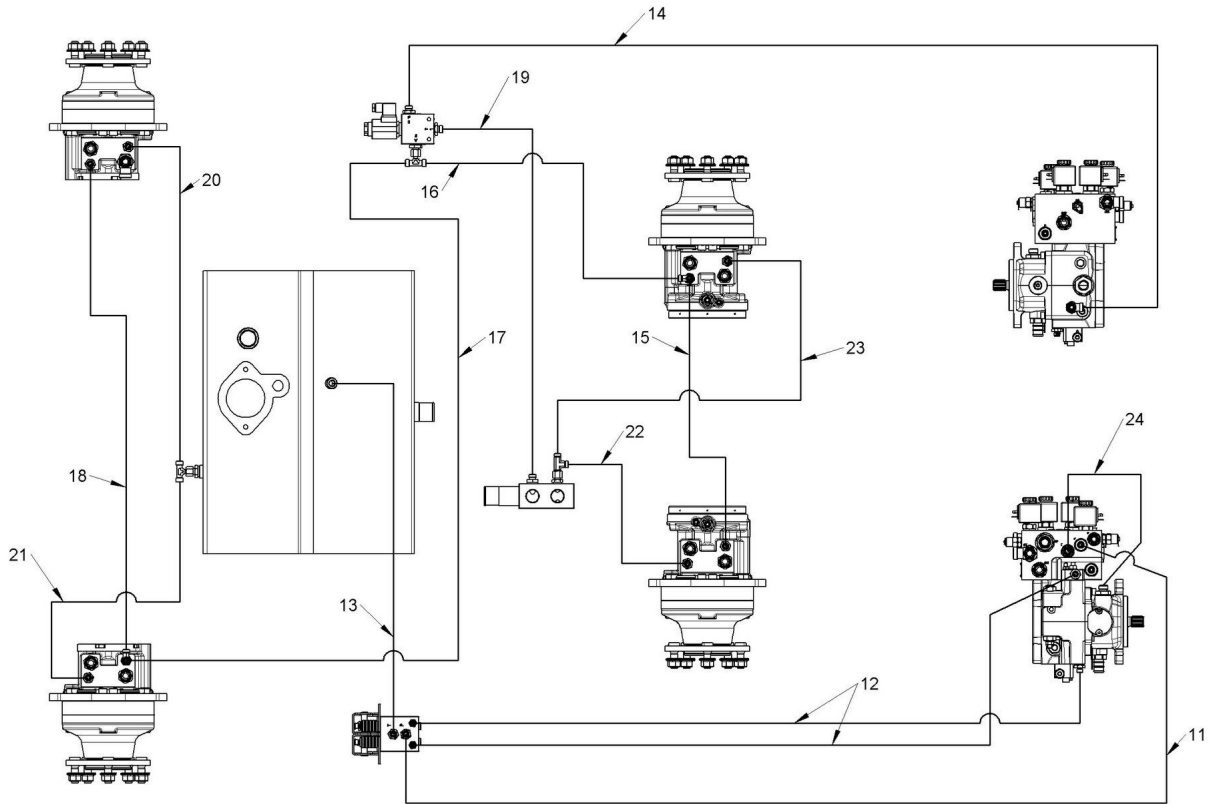
Pos.	Code	Description	Q.ty
1	C810519/01	Hose length(mm): 1600 - Pressure rate: MARATH Diameter(inc): 1/2 - Phase:270 1st fitting: F90 16S - 2nd fitting: F90 16S Protection:	1.00000
2	C810519/02	Hose length(mm): 280 - Pressure rate: MARATH Diameter(inc): 1/2 - Phase: 1st fitting: FD 16S - 2nd fitting: FD 16S Protection:	1.00000
3	C810519/03	Hose length(mm): 320 - Pressure rate: MARATH Diameter(inc): 1/2 - Phase: 1st fitting: FD 16S - 2nd fitting: F90 16S Protection:	1.00000
4	C810519/04	Hose length(mm): 270 - Pressure rate: MARATH Diameter(inc): 1/2 - Phase: 1st fitting: FD 16S - 2nd fitting: F90 16S Protection:	1.00000
5	C810519/05	Hose length(mm): 320 - Pressure rate: MARATH Diameter(inc): 1/2 - Phase:290 1st fitting: F90 16S - 2nd fitting: F90 16S	1.00000



Draft and part list report
Serial n / code M364676 / C963030
Description MULTIONE 8.4SK STAGE3

Protection:

6	C810519/06	Hose length(mm): 1300 - Pressure rate: MARATH Diameter(inc): 1/2 - Phase: 1st fitting: F45 16S - 2nd fitting: FD 16S Protection:	1.00000
7	C810519/07	Hose length(mm): 1500 - Pressure rate: MARATH Diameter(inc): 1/2 - Phase: 1st fitting: F90 16S - 2nd fitting: FD 16S Protection:	1.00000
8	C810519/08	Hose length(mm): 370 - Pressure rate: MARATH Diameter(inc): 1/2 - Phase: 1st fitting: F90 16S - 2nd fitting: FD 16S Protection:	1.00000
9	C810519/09	Hose length(mm): 550 - Pressure rate: 1SC Diameter(inc): 3/8 - Phase:0 1st fitting: F90 12L - 2nd fitting: F90 12L Protection:	1.00000
10	C810519/10	Hose length(mm): 320 - Pressure rate: 1SC Diameter(inc): 1/4 - Phase: 1st fitting: FD 8L - 2nd fitting: FD 8L Protection:	2.00000

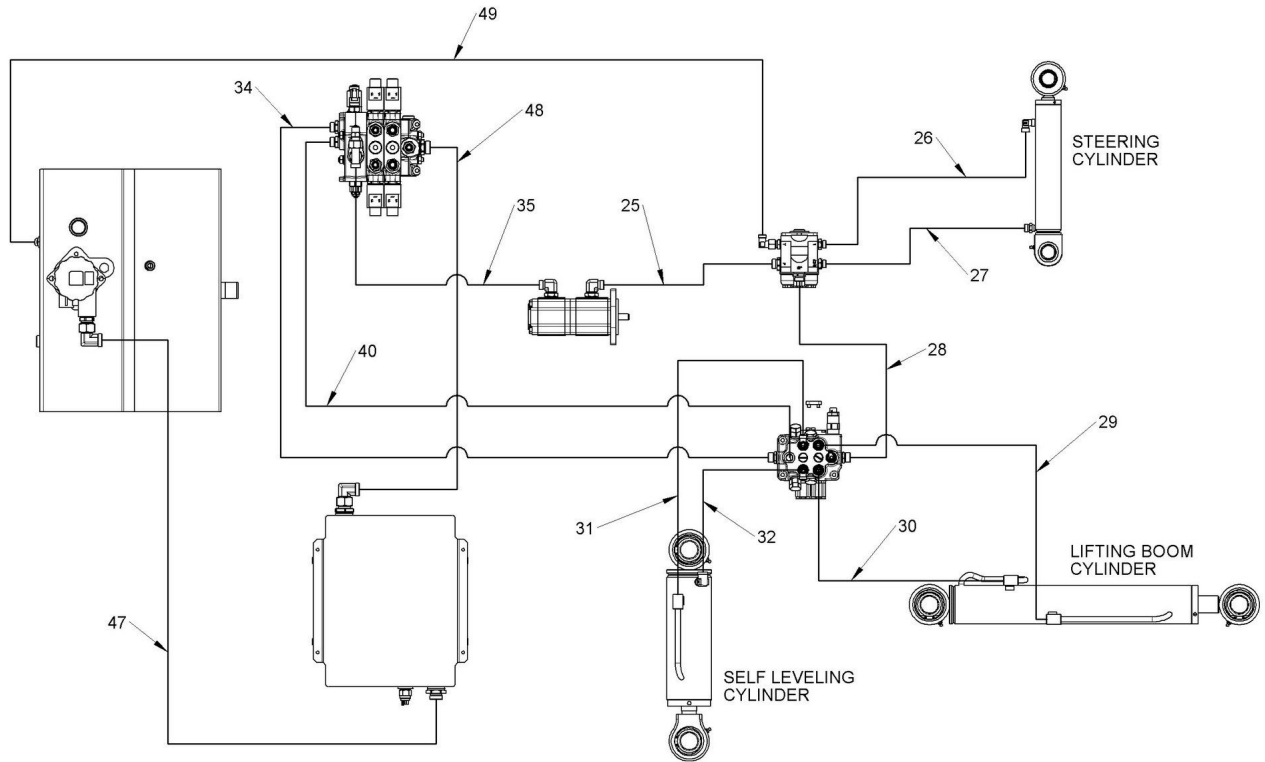


Component list [TAV. 58 CHANGE SPEED HYDRAULIC DIAGRAM]

Pos.	Code	Description	Q.ty
11	C810519/11	Hose length(mm): 1050 - Pressure rate: 1SC Diameter(inc): 1/4 - Phase: 1st fitting: F45 8L - 2nd fitting: FD 8L Protection:	1.00000
12	C810519/12	Hose length(mm): 1100 - Pressure rate: R7 Diameter(inc): 3/16 - Phase: 1st fitting: FD 6L - 2nd fitting: F90 6L Protection:	2.00000
13	C810519/13	Hose length(mm): 300 - Pressure rate: PILOT Diameter(inc): 1/4 - Phase:220 1st fitting: F90 8L - 2nd fitting: F90 8L Protection:	1.00000
14	C810519/14	Hose length(mm): 330 - Pressure rate: 1SC Diameter(inc): 1/4 - Phase: 1st fitting: F90 8L - 2nd fitting: FD 12L Protection:	1.00000
15	C810519/15	Hose length(mm): 550 - Pressure rate: 1SC Diameter(inc): 1/4 - Phase:0 1st fitting: F90 8L - 2nd fitting: F90 8L	1.00000

Protection:

16	C810519/16	Hose length(mm): 290 - Pressure rate: 1SC Diameter(inc): 1/4 - Phase: 1st fitting: FD 8L - 2nd fitting: FD 8L Protection:	1.00000
17	C810519/17	Hose length(mm): 970 - Pressure rate: 1SC Diameter(inc): 1/4 - Phase:180 1st fitting: F45 8L - 2nd fitting: F45 8L Protection:	1.00000
18	C810519/18	Hose length(mm): 390 - Pressure rate: 1SC Diameter(inc): 1/4 - Phase: 1st fitting: FD 8L - 2nd fitting: F90 8L Protection:	1.00000
19	C810519/19	Hose length(mm): 330 - Pressure rate: PILOT Diameter(inc): 1/4 - Phase: 1st fitting: F90 8L - 2nd fitting: FD 8L Protection:	1.00000
20	C810519/20	Hose length(mm): 420 - Pressure rate: PILOT Diameter(inc): 1/4 - Phase: 1st fitting: FD 8L - 2nd fitting: FD 8L Protection:	1.00000
21	C810519/21	Hose length(mm): 155 - Pressure rate: PILOT Diameter(inc): 1/4 - Phase: 1st fitting: F45 8L - 2nd fitting: FD 8L Protection:	1.00000
22	C810519/22	Hose length(mm): 200 - Pressure rate: PILOT Diameter(inc): 1/4 - Phase: 1st fitting: F90 8L - 2nd fitting: FD 8L Protection:	1.00000
23	C810519/23	Hose length(mm): 560 - Pressure rate: PILOT Diameter(inc): 1/4 - Phase: 1st fitting: FD 8L - 2nd fitting: FD 8L Protection:	1.00000
24	C810519/24	Hose length(mm): 200 - Pressure rate: PILOT Diameter(inc): 3/8 - Phase: 1st fitting: F90 12L - 2nd fitting: FD 12L Protection:	1.00000



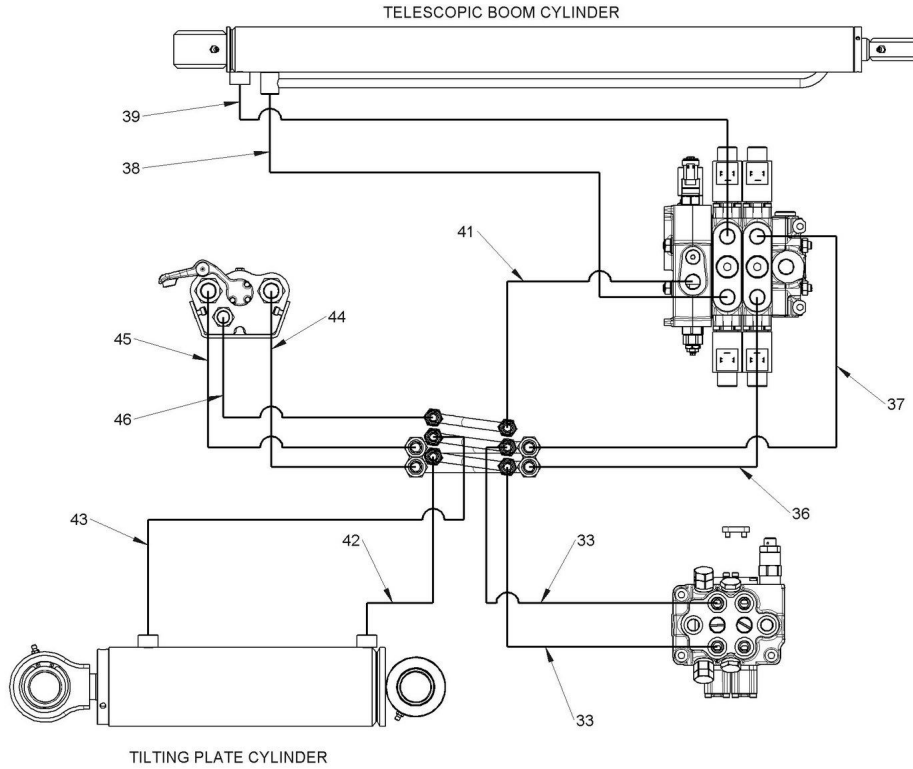
Component list [TAV. 59 SERVICES HYDRAULIC DIAGRAM]

Pos.	Code	Description	Q.ty
25	C810519/25	Hose length(mm): 1500 - Pressure rate: 1SC Diameter(inc): 1/2 - Phase:180 1st fitting: F90 15L - 2nd fitting: F90 15L Protection:	1.00000
26	C810519/26	Hose length(mm): 1380 - Pressure rate: 1SC Diameter(inc): 1/4 - Phase: 1st fitting: F90 12L - 2nd fitting: FD 12L Protection:	1.00000
27	C810519/27	Hose length(mm): 1150 - Pressure rate: 1SC Diameter(inc): 1/4 - Phase:210 1st fitting: F90 12L - 2nd fitting: F45 12L Protection:	1.00000
28	C810519/28	Hose length(mm): 1770 - Pressure rate: 1SC Diameter(inc): 1/2 - Phase: 1st fitting: F45 15L - 2nd fitting: FD 15L Protection:	1.00000
29	C810519/29	Hose length(mm): 880 - Pressure rate: 1SC Diameter(inc): 3/8 - Phase: 1st fitting: F90 12L - 2nd fitting: FD 12L	1.00000

Protection:

30	C810519/30	Hose length(mm): 880 - Pressure rate: 1SC Diameter(inc): 3/8 - Phase: 1st fitting: F90 12L - 2nd fitting: FD 12L Protection:	1.00000
31	C810519/31	Hose length(mm): 1600 - Pressure rate: 1SC Diameter(inc): 3/8 - Phase: 1st fitting: FD 12L - 2nd fitting: FD 12L Protection:	1.00000
32	C810519/32	Hose length(mm): 1500 - Pressure rate: 1SC Diameter(inc): 3/8 - Phase: 1st fitting: FD 12L - 2nd fitting: FD 12L Protection:	1.00000
34	C810519/34	Hose length(mm): 300 - Pressure rate: PILOT Diameter(inc): 1/2 - Phase:0 1st fitting: F90 15L - 2nd fitting: F45 15L Protection:	1.00000
35	C810519/35	Hose length(mm): 1440 - Pressure rate: 1SC Diameter(inc): 1/2 - Phase: 1st fitting: F90 15L - 2nd fitting: FD 15L Protection:	1.00000
40	C810519/40	Hose length(mm): 250 - Pressure rate: 1SC Diameter(inc): 1/2 - Phase:270 1st fitting: F45 15L - 2nd fitting: F90 15L Protection:	1.00000
47	C810367/47	Hose length(mm): - Pressure rate: Ø22x1,5 Diameter(inc): - Phase: 1st fitting: 22L - 2nd fitting: 22L Protection:	1.00000
48	C810367/48	Hose length(mm): - Pressure rate: Ø22x1,5 Diameter(inc): - Phase: 1st fitting: 22L - 2nd fitting: 22L Protection:	1.00000
49	C810363/04		1.00000

VIEW OF THE HOSES FROM SITTING ON THE MACHINE



Component list [TAV. 60 BOOM HOSES]

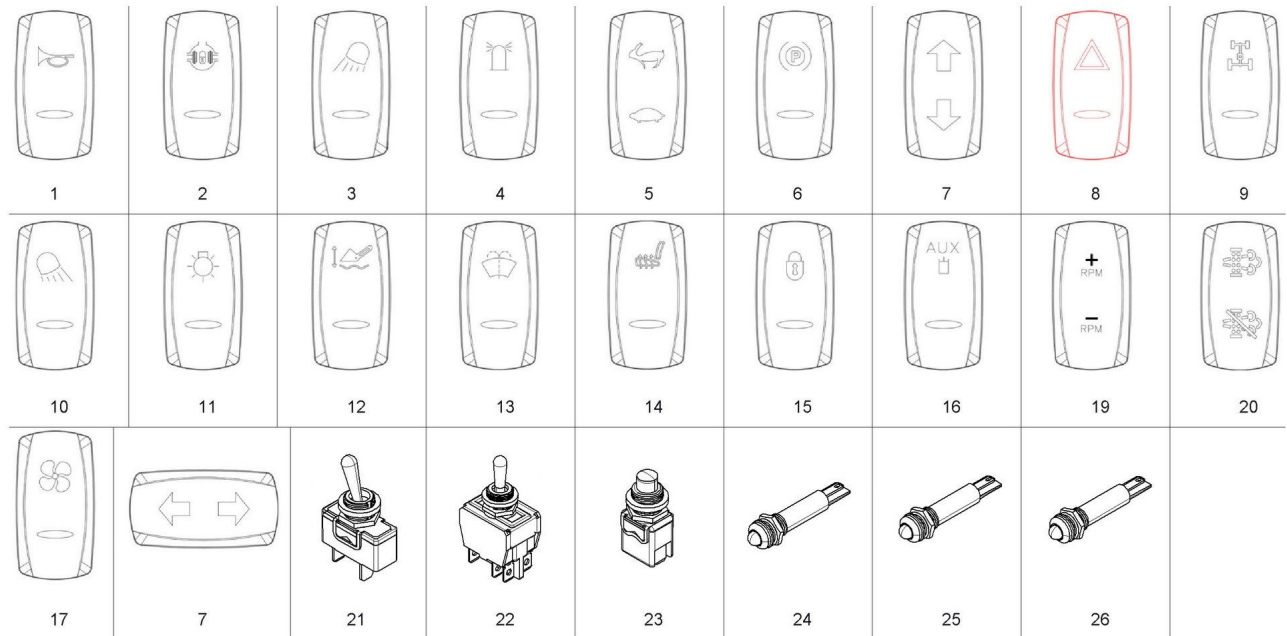
Pos.	Code	Description	Q.ty
33	C810519/33	Hose length(mm): 1270 - Pressure rate: 1SC Diameter(inc): 3/8 - Phase: 1st fitting: F90 12L - 2nd fitting: MD 12L Protection:PVC	2.00000
36	C810519/36	Hose length(mm): 1140 - Pressure rate: 1SC Diameter(inc): 1/2 - Phase: 1st fitting: F90 15L - 2nd fitting: MD 15L Protection:PVC	1.00000
37	C810519/37	Hose length(mm): 1085 - Pressure rate: 1SC Diameter(inc): 1/2 - Phase: 1st fitting: F90 15L - 2nd fitting: MD 15L Protection:PVC	1.00000
38	C810519/38	Hose length(mm): 1100 - Pressure rate: 1SC Diameter(inc): 3/8 - Phase: 1st fitting: F90 12L - 2nd fitting: FD 12L Protection:PVC	1.00000
39	C810519/39	Hose length(mm): 1000 - Pressure rate: 1SC Diameter(inc): 3/8 - Phase: 1st fitting: F90 12L - 2nd fitting: FD 12L	1.00000



Draft and part list report
Serial n / code M364676 / C963030
Description MULTIONE 8.4SK STAGE3

Protection:PVC

41	C810519/41	Hose length(mm): 1110 - Pressure rate: PILOT Diameter(inc): 3/8 - Phase: 1st fitting: F90 12L - 2nd fitting: MD 12L Protection:PVC	1.00000
42	C810519/42	Hose length(mm): 1070 - Pressure rate: 1SC Diameter(inc): 3/8 - Phase: 1st fitting: MD 12L - 2nd fitting: F90 12L Protection:PVC	1.00000
43	C810519/43	Hose length(mm): 1370 - Pressure rate: 1SC Diameter(inc): 3/8 - Phase: 1st fitting: MD 12L - 2nd fitting: F45 12L Protection:PVC	1.00000
44	C810519/44	Hose length(mm): 970 - Pressure rate: 1SC Diameter(inc): 1/2 - Phase: 1st fitting: MD 15L - 2nd fitting: F45 15L Protection:PVC	1.00000
45	C810519/45	Hose length(mm): 970 - Pressure rate: 1SC Diameter(inc): 1/2 - Phase: 1st fitting: MD 15L - 2nd fitting: F45 15L Protection:PVC	1.00000
46	C810519/46	Hose length(mm): 1060 - Pressure rate: PILOT Diameter(inc): 3/8 - Phase: 1st fitting: MD 12L - 2nd fitting: F45 12L Protection:PVC	1.00000



Component list [TAV. 80 ELECTRIC SWITCHES 2ND GEN]

Pos.	Code	Description	Q.ty
1	C038175	COMPLETE HORN SWITCH	1.00000
2	C038176	COMPLETE DBS SWITCH	1.00000
3	C038177	COMPLETE WORK LIGHT SWITCH	1.00000
4	C038178	COMPLETE FLASHING BEACON SWITCH	1.00000
5	C038179	COMPLETE CHANGE SPEED SWITCH	1.00000
6	C038180	COMPLETE PARKING BRAKE SWITCH	1.00000
7	C038181	COMPLETE ELECTRIC SOCKET / LIGHT DIRECTION SWITCH	1.00000
8	C038183	COMPLETE WARNING LIGHT SWITCH	1.00000
9	C038203	COMPLETE TORQUE DIVIDER SWITCH	1.00000
10	C038204	COMPLETE AUXILIARY WORK LIGHT SWITCH	1.00000
11	C038205	COMPLETE ROAD LIGHT SWITCH	1.00000
12	C038206	COMPLETE FLOATING SYSTEM SWITCH	1.00000
13	C038208	COMPLETE WINDSCREEN WASHER SWITCH	1.00000
14	C038209	COMPLETE HEATING SEAT SWITCH	1.00000
15	C038212	COMPLETE ATTACHMENT RELEASE SWITCH	1.00000
16	C038213	COMPLETE FRONT AUX OUTLET SWITCH	1.00000
17	C038214	COMPLETE FAN SWITCH	1.00000



Draft and part list report
Serial n / code M364676 / C963030
Description MULTIONE 8.4SK STAGE3

19	C038215	COMPLETE RPM +/- SWITCH	1.00000
20	C038216	COMPLETE DPF CLEANER SWITCH	1.00000
21	FF180/30.34.08956	LEVER SWITCH ON-OFF, 2 TERMINAL, W/RUBBER	1.00000
22	FF180/30.34.10306	LEVER SWITCH ON-OFF-ON, 6 TERMINAL, W/RUBBER	1.00000
23	C034419	0-1R HORN SWITCH	1.00000
24	C034420	GREEN LED INDICATOR	1.00000
25	C034422	YELLOW LED INDICATOR	1.00000
26	C034423	RED LED INDICATOR	1.00000