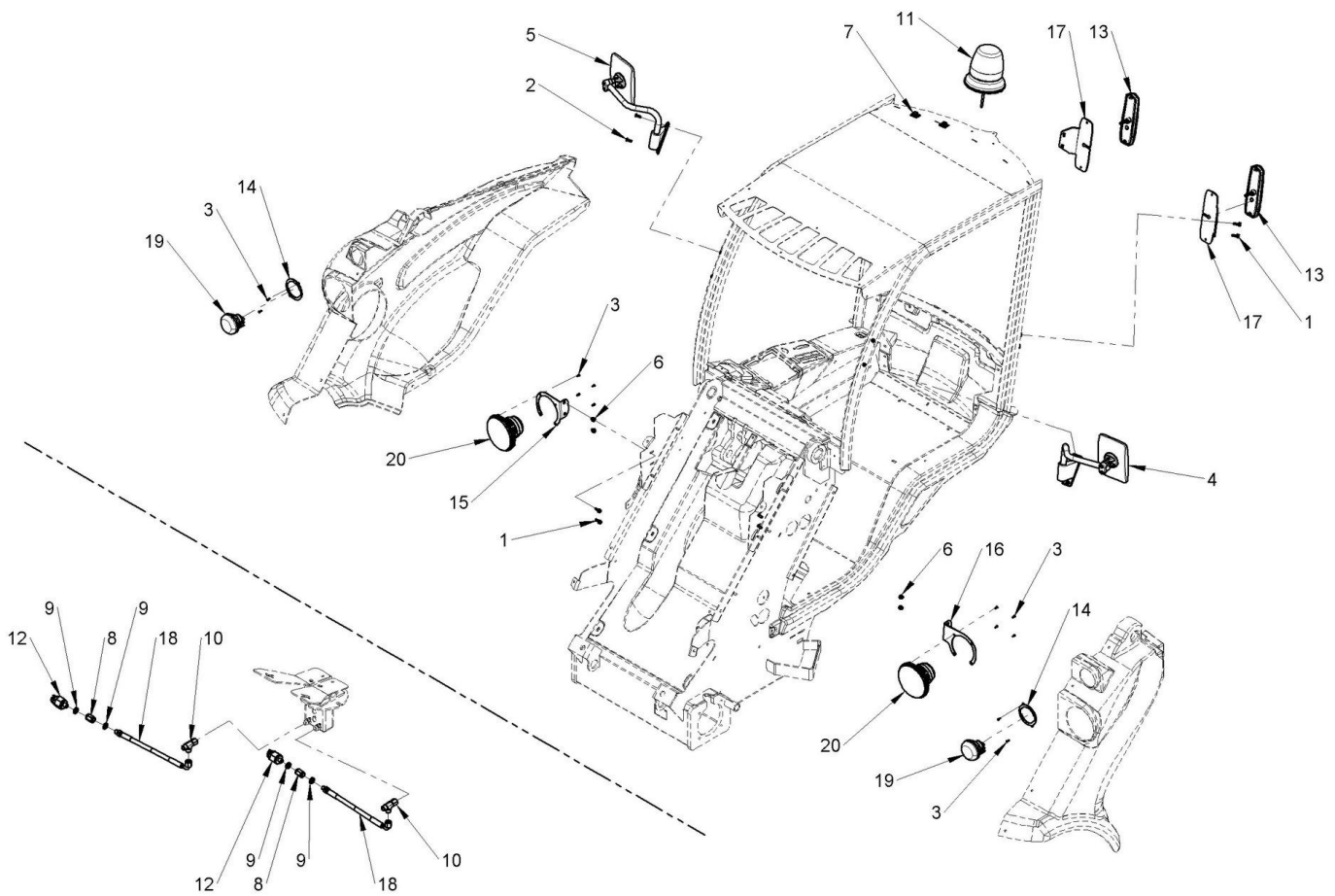


List of machine draft

N.	Draft
35	TAV. 28 M1 4-5 ROAD LIGHT
1	TAV. 01 5.2 ENGINE AND PUMPS
2	TAV. 02 5.2 ENGINE SUPPORTS
3	TAV. 03 M1 5.3 ARTICULATION
4	TAV. 04 M1 5.3 ENGINE MOTORS
5	TAV. 05 5.2 ENGINE COOLER AND FUEL TANK
6	TAV. 06 M1 5.3 TELESCOPIC BOOM, FIXED PART
7	TAV. 07 5.2 RIGHT SIDE
36	TAV. 08 5.2 MUFFLER, BATTERY, AIR FILTER
8	TAV. 09 M1 5.3 POWER STEERING
9	TAV. 10 M1 5.3 MANUAL COUPLING PLATE
10	TAV. 11 M1 5.3 SEAT ROLL-BAR AND PEDALS
11	TAV. 12 M1 5.3 FRONT COVER SUPPORT
12	TAV. 13 M1 5.3 FRONT PLASTIC COVER
13	TAV. 14 M1 5.3 REAR COVER SUPPORT
14	TAV. 15 M1 5.3 REAR PLASTIC COVER
15	TAV. 16 M1 5.3 SELF LEVELLING
16	TAV. 18 M1 5.3 TRANSMISSION HYDRAULIC CYRCUIT
17	TAV. 19 M1 4.2-5.2 HYDRAULIC SERVICES DIAGRAM
18	TAV. 20 M1 5.3 TELESCOPIC BOOM, MOBILE PART
19	TAV. 21 M1 5.3 HAND BRAKE
20	TAV. 22 M1 5.3 DYNAMIC BLOCK SYSTEM
21	TAV. 29 5.2 FILTERS
22	TAV. 31 GLASS CABIN
23	TAV. 32 CABIN DETAILS
24	TAV. 33 M1 5.3 HEATING
25	TAV. 35 M1 5.3 FLOATING BOOM
26	TAV. 39 M1 5.3 PEGLIGLAS SMART CABIN
27	TAV. 40 M1 5.3 REVERSE ALLARM
28	TAV. 49 M1 5-8, M1 6SD-8SD REAR BUMPER
29	TAV. 50 SAFETY SIDE ARM
34	TAV. 57 WATER TEMP SENSOR
30	TAV. 60 SWITHES
37	TAV. 95 DECALS
31	TAV. 96 MACHINE MULTICONNECTOR WEO FITTINGS
32	TAV. 98 WHEEL MOTOR DETAILS
33	TAV. 99 HYDRAULIC MULTI COUPLING PLATE, FIX 3 WAY, ATTACHMENTS 3 WAY, ATTACHMENTS 2 WAY



Component list [TAV 28 M1 4-5 ROAD LIGHT]

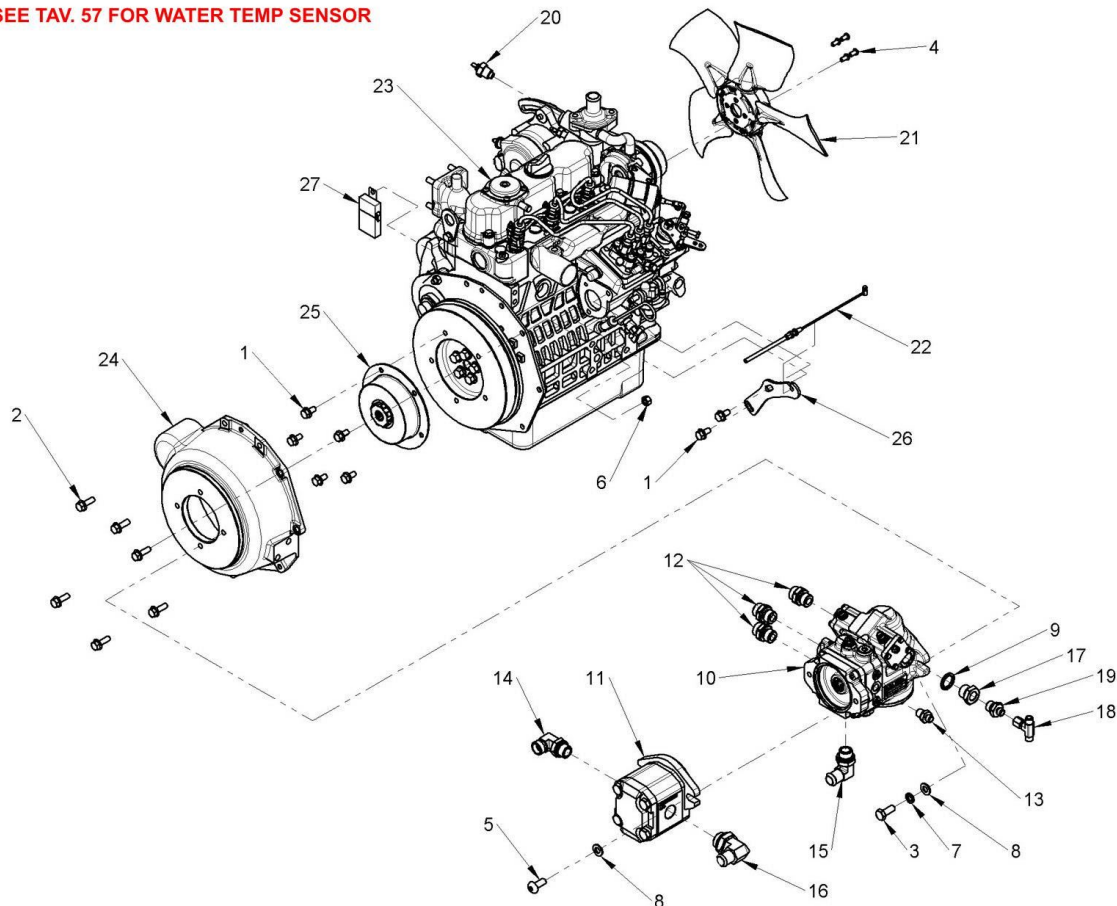
Pos.	Code	Description	Q.ty
1	C019212	M6x20 BOLT UNI 1665	8.00000
2	C020187	SCREW TSPEI 10.9 M6X20 UNI5933 ZN	4.00000
3	C020302	SELF THREAD SCREW Ø3,5x9,5 UNI6954	12.00000
4	C028021	LEFT REAR VIEW MIRROR FOR S600/SL800/GT900 CABIN	1.00000
5	C028022	RIGHT REAR VIEW MIRROR FOR S600/SL800/GT900 CABIN	1.00000
6	C028271	THREAD INSERT M6	12.00000
7	C029213	CABLE HOLDER	2.00000
8	C030361	CONNECTOR F1/8 GAS F1/8 GAS	2.00000
9	C030549	BONDED WASHER 1/8""GAS	4.00000
10	C033033	T CONNECTION F-M-M 6L	2.00000
11	C034021	FLASHING LIGHT	1.00000
12	C036653	PRESSURE SWITCH 1/8GAS	2.00000
13	C044001	3 FUNCTION REAR LED LIGHT	2.00000
14	C272177	TURNING LIGHT HOLDER FRAME	2.00000
15	C277835	RIGHT FRONT LIGHT SUPPORT S500/600 M1 4-5	1.00000
16	C277838	LEFT FRONT LIGHT SUPPORT S500/600 M1 4-5	1.00000



Draft and part list report
Serial n / code M331834 / C977006
Description MULTIONE 5.2 25 HP 1;GEN

17	C284323	{{>desc}}	2.00000
18	C810402	{{>desc}}	2.00000
19	FF180/02.1105.0000.03	TURNING LIGHT (ORANGE) S600/SL800/GT900	2.00000
20	FF180/05.1042.0500.03	FRONT MAIN LIGHT FOR S600/SL800/GT900	2.00000

SEE TAV. 57 FOR WATER TEMP SENSOR



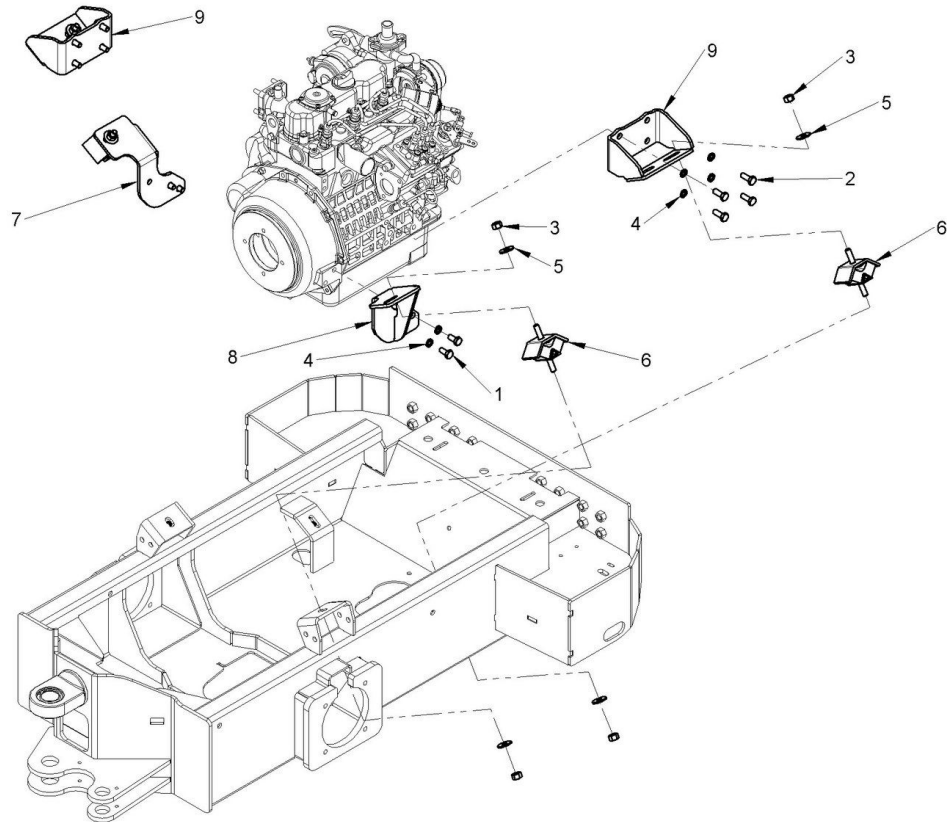
Component list [TAV. 01 5.2 ENGINE AND PUMPS]

Pos.	Code	Description	Q.ty
1	C019201	HEXAGON FLANGE BOLT M8x16 DIN 6921	7.00000
2	C019203	HEXAGON FLANGE BOLT M8X25 ISO 1665	6.00000
3	C020101	HEXAGON HEAD SCREW 8.8 M10X25 UNI EN ISO 4017	2.00000
4	C020542	HEXAGON SOCKET OVAL HEAD SCREW M6x12 ZN ISO 7380	4.00000
5	C020550	HEXAGON SOCKET OVAL HEAD SCREW 8.8 M10X25 ISO 7380	2.00000
6	C021502	SLOTTED AND CASTLE HEXAGON NUTS M8 DIN980	1.00000
7	C023042	SELF LOCKING FLANGE NORD LOCK M10	2.00000
8	C023080	FLAT WASHER X M10 10.5X20X2	4.00000
9	C030542	BONDED WASHER 1/2" GAS	1.00000
10	C030949	M20/28D/S500 HYDROSTATIC PUMP	1.00000
11	C030963	8,3CC GEAR PUMP SAEA	1.00000
12	C033003	NIPPLES 1/2" G / 15L	3.00000
13	C033007	NIPPLES 1/4" GAS / 6L	1.00000
14	C033022	90° ELBOW, ADJUSTABLE MALE STUD G 1/2 - MALE 15L	1.00000
15	C033023	90° FITTING FOR SUCTION HOSE 1/2"	1.00000
16	C033028	3/4" 90° SUCTION HOSE FITTING	1.00000



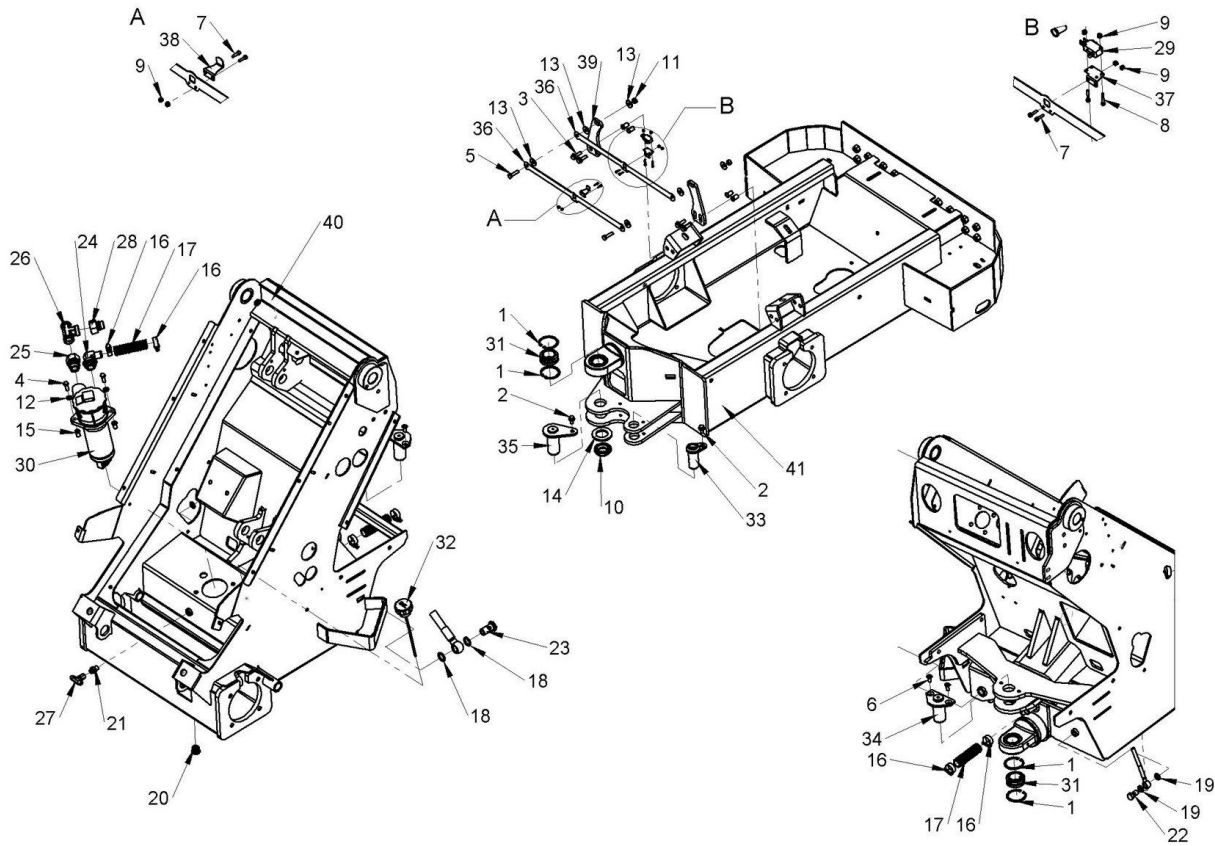
Draft and part list report
Serial n / code M331834 / C977006
Description MULTIONE 5.2 25 HP 1;GEN

17	C033040	ADAPTER M-F 1/2" / 3/8" GAS	1.00000
18	C033081	TEES M-F-M 6L	1.00000
19	C033173	{{>desc}}	1.00000
20		{{>desc}}	1.00000
21	C034204	330 MM FAN	1.00000
22	C038712	THROTTLE CABLE SL800	1.00000
23	C039009	KUBOTA D902E DIESEL ENGINE	1.00000
24	C039544	SAE A FLYWHEEL BELL FOR KUBOTA D722-D902	1.00000
25	C039545	Z9 PUMP JOINT KUBOTA SUPERMINI	1.00000
26	C277798	KUBOTA THROTTLE WIRE SUPPORT	1.00000
27	FF180/MTA 03.00390	MAXI FUSE-HOLDER	1.00000



Component list [TAV. 02 5.2 ENGINE SUPPORTS]

Pos.	Code	Description	Q.ty
1	C020100	SCREW TE 8.8 M10X20 UNI ISO 4017	4.00000
2	C020259	{{>desc}}	8.00000
3	C021503	SELF-LOCKING HEXAGONAL NUT M10 ZN DIN980	8.00000
4	C023042	SELF LOCKING FLANGE NORD LOCK M10	12.00000
5	C023104	FLAT WASHER, M10	8.00000
6	C037406	ENGINE MOUNT FOR S600 YANMAR	4.00000
7	C277723	KUBOTA D902 FRONT RIGHT MOUNT	1.00000
8	C277724	KUBOTA D902 LEFT RIGHT MOUNT	1.00000
9	C277749	KUBOTA D902 REAR MOUNT REV.02	2.00000



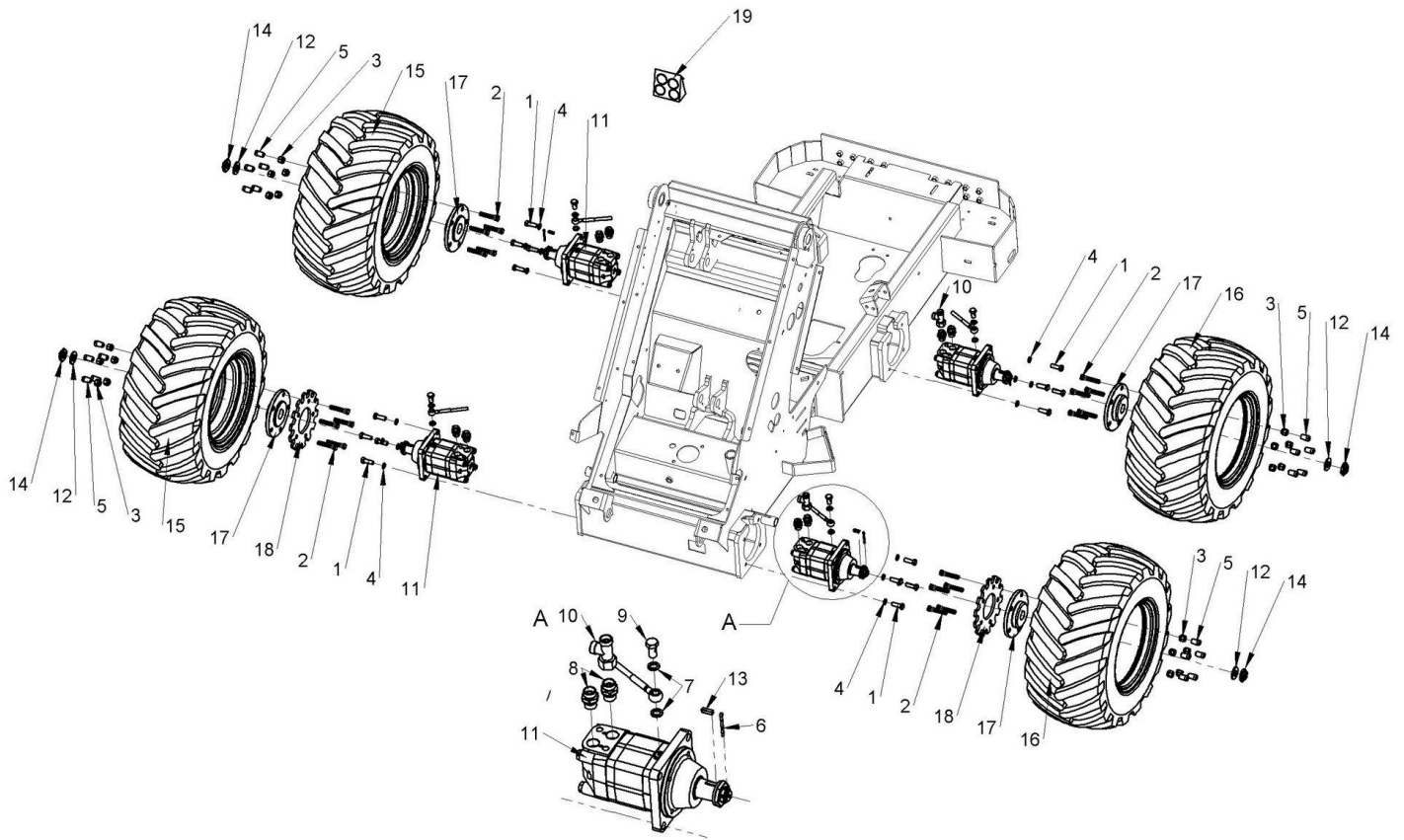
Component list [TAV. 03 M1 5.3 ARTICULATION]

Pos.	Code	Description	Q.ty
1	C018312	ANELLO SEEGER 55 UNI 7437SEEGER RING 55 UNI 7437	4.00000
2	C019201	VITE TEF CI 8.8 M8X16 DIN 6921HEXAGON FLANGE BOLT M8X16 DIN 6921	2.00000
3	C019203	VITE TEF M8x25 UNI EN ISO 1665HEXAGON FLANGE BOLT M8X25 ISO 1665	4.00000
4	C020073	VITE TE 8.8 M8x25 UNI ISO 4017M8x25 SCREW ISO 4017	2.00000
5	C020074	VITE TE M8x30 ISO 5739HEXAGON HEAD SCREW TE 8.8 M8X30 UNI 5739	2.00000
6	C020155	VITE TSPEI M8x20 UNI 5933M8X20 SCREW UNI5933	2.00000
7	C020278	VITE TCCEI M3x12 DIN 912HEXAGON SOCKET HEAD CAP SCREW M3x12 DIN 912	4.00000
8	C020279	VITE TCCEI M3x18 DIN 912HEXAGON SOCKET HEAD CAP SCREW M3x18 DIN 912	2.00000
9	C021101	DADO AUTOBLOCCANTE M3SELF LOCKING NUT M3	6.00000
10	C021401	GHIERA AUTOBLOCCANTE KM7 M35x1,5SELF LOCKING RING NUT M35x1,5	1.00000
11	C021502	DADO AUTOFRENANTE M8SELF BREAKING NUT M8	2.00000
12	C023071	RONDELLA PIANA M8 ZINC. UNI6592PLAIN WASHER M8 8.4x16x1.6 UNI6592	2.00000
13	C023100	RONDELLA GREMB M8 DIN 9021PLAIN WASHER LARGE SERIES M8 DIN 9021	6.00000
14	C023116	RONDELLA PIANA PER CERNIERA INF.FLAT WASHER	1.00000
15	C028270	RIVETTO FILETTATO TONDO M8M8 THREAD INSERT	6.00000
16	C029046	FASCETTA 12 INOX 19-28STEEL BAND	4.00000



Draft and part list report
Serial n / code M331834 / C977006
Description MULTIONE 5.2 25 HP 1^o GEN

17	C030102	TUBO OLIO ASPIRAZIONE 19- 28 L=540OIL SUCTION PIPE	2.00000
18	C030542	RONDELLA BONDED 1/2"GASBONDED WASHER 1/2" GAS	2.00000
19	C030548	RONDELLA BONDED 1/4"GASBONDED WASHER 1/4" GAS	2.00000
20	C030610	TAPPO 1/2"GAS MAGNETICOMAGNETIC MALE PLUG G 1/2"	1.00000
21	C033007	NIPPLES 1/4" GAS / 6LNIPPLES 1/4" GAS / 6L	1.00000
22	C033015	VITE PER OCCHIO SINGOLA 1/4"GASSCREW EYE 1/4" GAS	1.00000
23	C033017	VITE PER OCCHIO SINGOLA 1/2" GASSCREW EYE 1/2" GAS	1.00000
24	C033028	PORTAGOMMA 90 M3/4"GAS / TUBO DA 3/4"3/4" HOSE CONNECTION	1.00000
25	C033062	GIUNZIONE DIRITTA M3/4"GAS / F22LMALE 3/4" FEMALE 22L CONNECTOR	1.00000
26	C033078	RACCORDO A T M-M-M 22LTEES M-M-M 22L	1.00000
27	C033081	RACCORDO A T F-M-F 6LTEES M-F-M 6L	1.00000
28	C033160	RIDUZIONE F22L/M15LADAPTER F22L - M15L	1.00000
29	C034020	MICROINTERRUTTORESWITCH	1.00000
30	C036628	FILTRO COMBINATO H300COMBINED FILTER	1.00000
31	C037678	SNODO SFERICO GE 35 ESBALL-JOINT	2.00000
32	C038748	TAPPO DI SFIATO 1" G PRESSUR. CON ASTINA LIVELLOOIL PLUG	1.00000
33	C230164	SPINA 30 L=66 V.N.I.PIN FOR POWER STEERING CYLINDER 30x66	1.00000
34	C230166	SPINA FLANGIATA 35-L=73PIN 35-L=73	1.00000
35	C230270	SPINA CERNIERA INFERIORE S500-S600 35x80ARTICULATION PIN 35x80	1.00000
36	C272143	LAME PER SENSORE ANTIRIBALTAMENTOBLADE SENSOR FOR ROLLOVER	2.00000
37	C272144	SUPPORTO MICROINTERRUTTORESUPPORT SWITCH	1.00000
38	C272145	STAFFETTA SCHIACCIAMENTO MICROINTERRUTTORECRUSHING CLAMP SWITCH	1.00000
39	C277728	STAFFA SENSORE ANTIRIBALTAMENTOANTI OVERTURNING SENSOR BRACKET	2.00000
40	C279700	TELAIO ANTERIORE (PER BRACCIO 2013)FRONT FRAME	1.00000
41	C284300	SCocca POSTERIOREREAR FRAME	1.00000



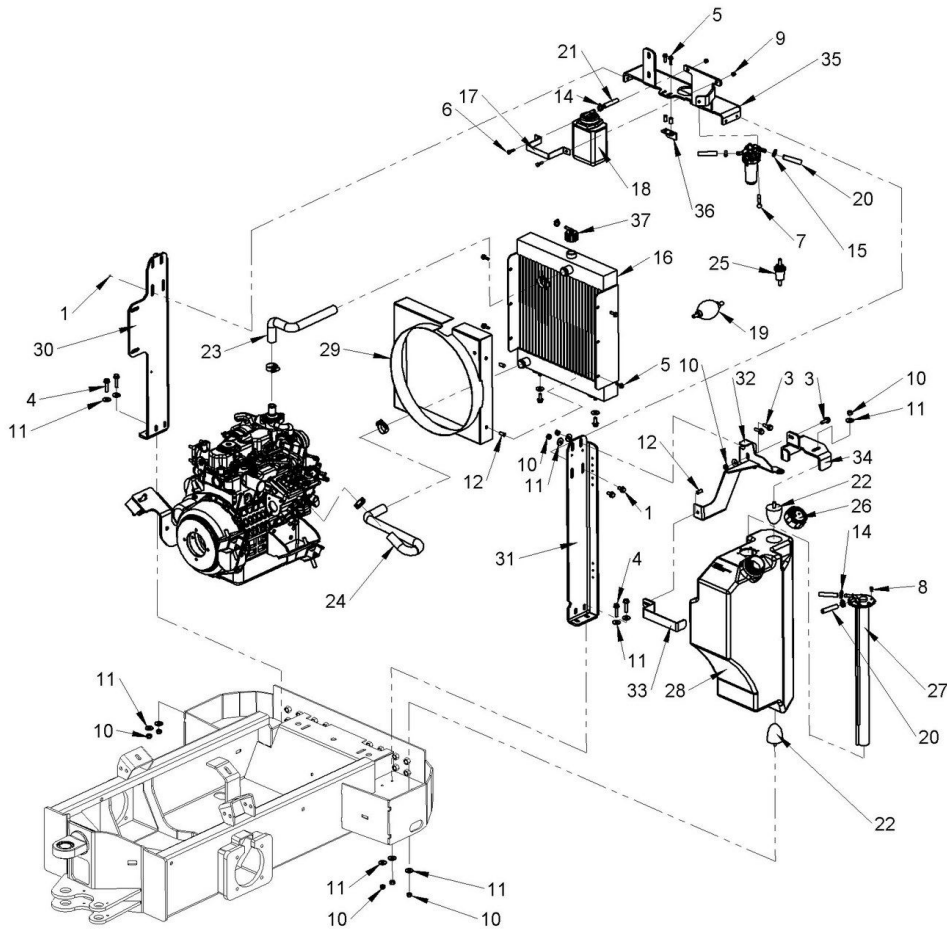
Component list [TAV. 04 M1 5.3 ENGINE MOTORS]

Pos.	Code	Description	Q.ty
1	C020133	{{>desc}}	16.00000
2	C020501	AXLE STUD BOLT M12X1.5X70 ZNB	20.00000
3	C021133	ROUNDED NUT M12X1.5 CH19 ZN	20.00000
4	C023043	SELF LOCKING WASHER M12	16.00000
5	C028051	RUBBER LOCKET FOR TUBE 12X25 BLUE	20.00000
6	C028260	4x40 SPLINT PIN UNI EN ISO 1234	4.00000
7	C030548	BONDED WASHER 1/4" GAS	8.00000
8	C033003	NIPPLES 1/2" G / 15L	8.00000
9	C033015	PERFORED BOLT 1/4"	4.00000
10	C033035	T FITTING F-M-M 15L	2.00000
11	C038591	ORBITAL HYDRAULIC MOTOR 315cc	4.00000
12	C038592/11	WASHER FOR WHEEL MOTOR OMSW	4.00000
13	C038592/12	KEY FOR WHEEL MOTOR OMSW	4.00000
14	C038592/13	NUT FOR WHEEL MOTOR OMSW	4.00000
15	C040050	23X8.50-12 TRACTOR LOADER WHEEL ETO	2.00000
16	C040050	23X8.50-12 TRACTOR LOADER WHEEL ETO	2.00000



Draft and part list report
Serial n / code M331834 / C977006
Description MULTIONE 5.2 25 HP 1;GEN

17	C271812	HUB FOR ORBITAL WHEEL MOTOR	4.00000
18	C277306	BRAKE SPROCKET	2.00000
19	FF139/151F0111	SEAL KIT FOR OMSW MOTORS	1.00000



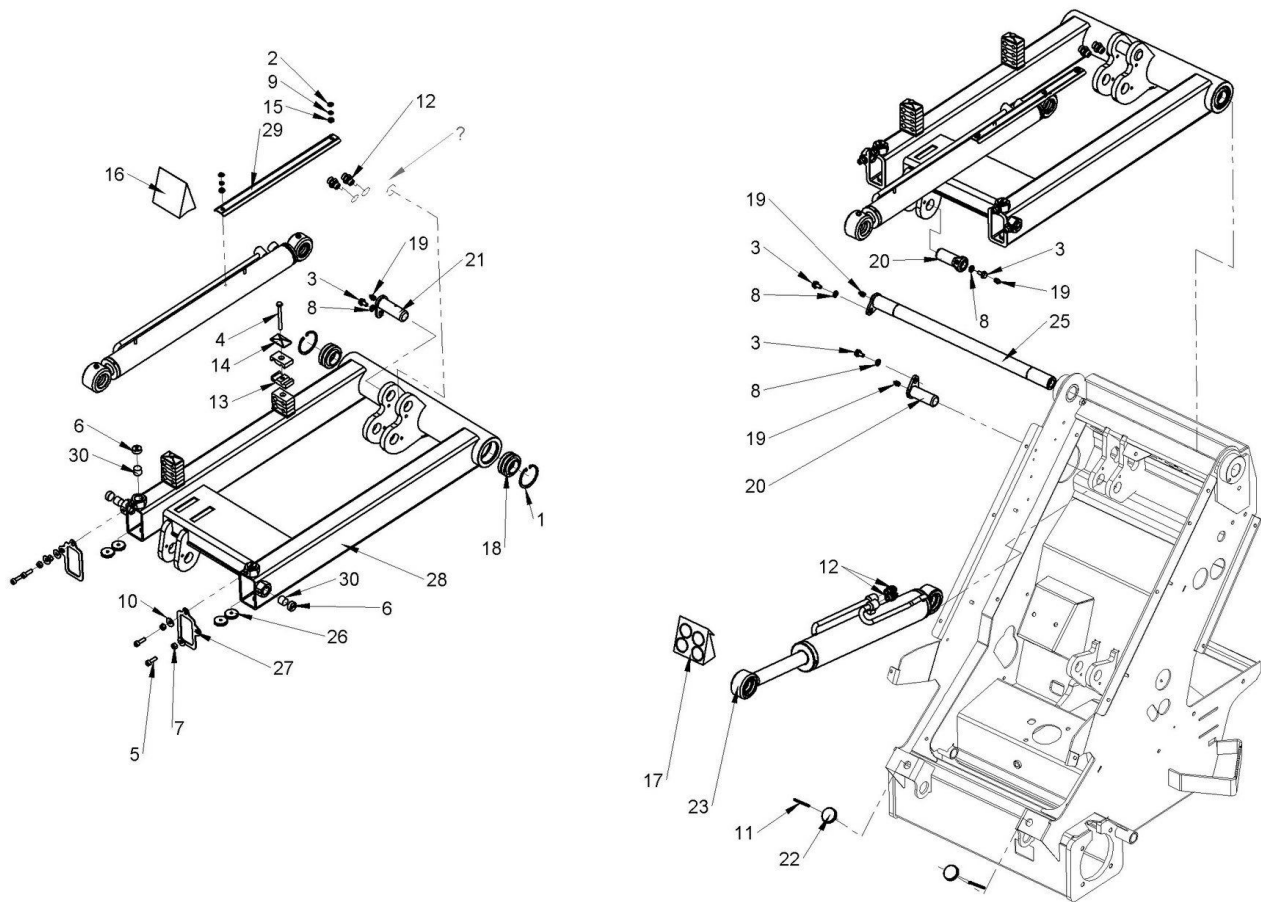
Component list [TAV. 05 5.2 ENGINE COOLER AND FUEL TANK]

Pos.	Code	Description	Q.ty
1	C019201	HEXAGON FLANGE BOLT M8x16 DIN 6921	4.00000
2	C019202	HEXAGON FLANGE BOLT M8x20 DIN 6921	2.00000
3	C019203	HEXAGON FLANGE BOLT M8x25 ISO 1665	3.00000
4	C019205	HEXAGON FLANGE BOLT M8x35 DIN 6921	4.00000
5	C019212	M6x20 BOLT UNI 1665	6.00000
6	C020051	ISO 4017 M6x20 SCREW	2.00000
7	C020086	HEXAGON HEAD BOLT 8.8 M8x70 ISO 4014	1.00000
8	C020561	HEXAGON SOCKET OVAL HEAD SCREW M5x10 ISO 7380	6.00000
9	C021104	PREVAILING TORQUE-TYPE HEXAGONAL NUTS WITH POLYAMIDE RING M6 UNI 7473	2.00000
10	C021502	SLOTTED AND CASTLE HEXAGON NUTS M8 DIN980	9.00000
11	C023100	PLAIN WASHER LARGE SERIES M8 DIN 9021	15.00000
12	C028271	THREAD INSERT M6	7.00000
13	C029032	STAINLESS STEEL CLAMP 30-45 BELT 12	4.00000
14	C029038	STEEL BAND 10-16	3.00000
15	C029038	STEEL BAND 10-16	3.00000
16	C030599	ENGINE RADIATOR FOR M SERIES,S26,A600, YANMAR	1.00000



Draft and part list report
Serial n / code M331834 / C977006
Description MULTIONE 5.2 25 HP 1;GEN

17	C034090	COOLANT TANK BRACKET	1.00000
18	C034091	COOLANT TANK	1.00000
19	C034400	HAND FUEL PUMP	1.00000
20	C035003	FUEL PIPE 7X13	4.00000
21	C035018	HOSE 7X12	1.00000
22	C035139	SILENT BLOCK T-50 İ50 H=58 M8x20	2.00000
23	C035250	UPPER RADIATOR HOSE FOR KUBOTA S500	1.00000
24	C035251	LOWER RADIATOR HOSE FOR KUBOTA S500	1.00000
25	C036640	IN LINE FUEL FILTER	1.00000
26	C038723	FUEL CUP, NO KEY	1.00000
27	C038758	6.3 7.3 8.4 FUEL SENSOR	1.00000
28	C220489	24 LT FUEL TANK MULTIONE 6 SERIE	1.00000
29	C280016	S525 RADIATOR CONVEYOR	1.00000
30	C281634	RIGHT ENGINE COOLER SUPPORT REV.04	1.00000
31	C281636	LEFT ENGINE COOLER SUPPORT REV.05	1.00000
32	C282279	LEFT SIDE COVER SUPPORT	1.00000
33	C282353	DIESEL TANK BRACKET	1.00000
34	C284311	SUPPORT FOR DIESEL TANK	1.00000
35	C284328	TOP ENGINE RADIATOR BRACKET	1.00000
36	C284329	ENGINE RADIATOR FRONT BRACKET REV.00	1.00000
37	FF384/386501102	PLASTIC CAP FOR RADIATOR İ30	1.00000



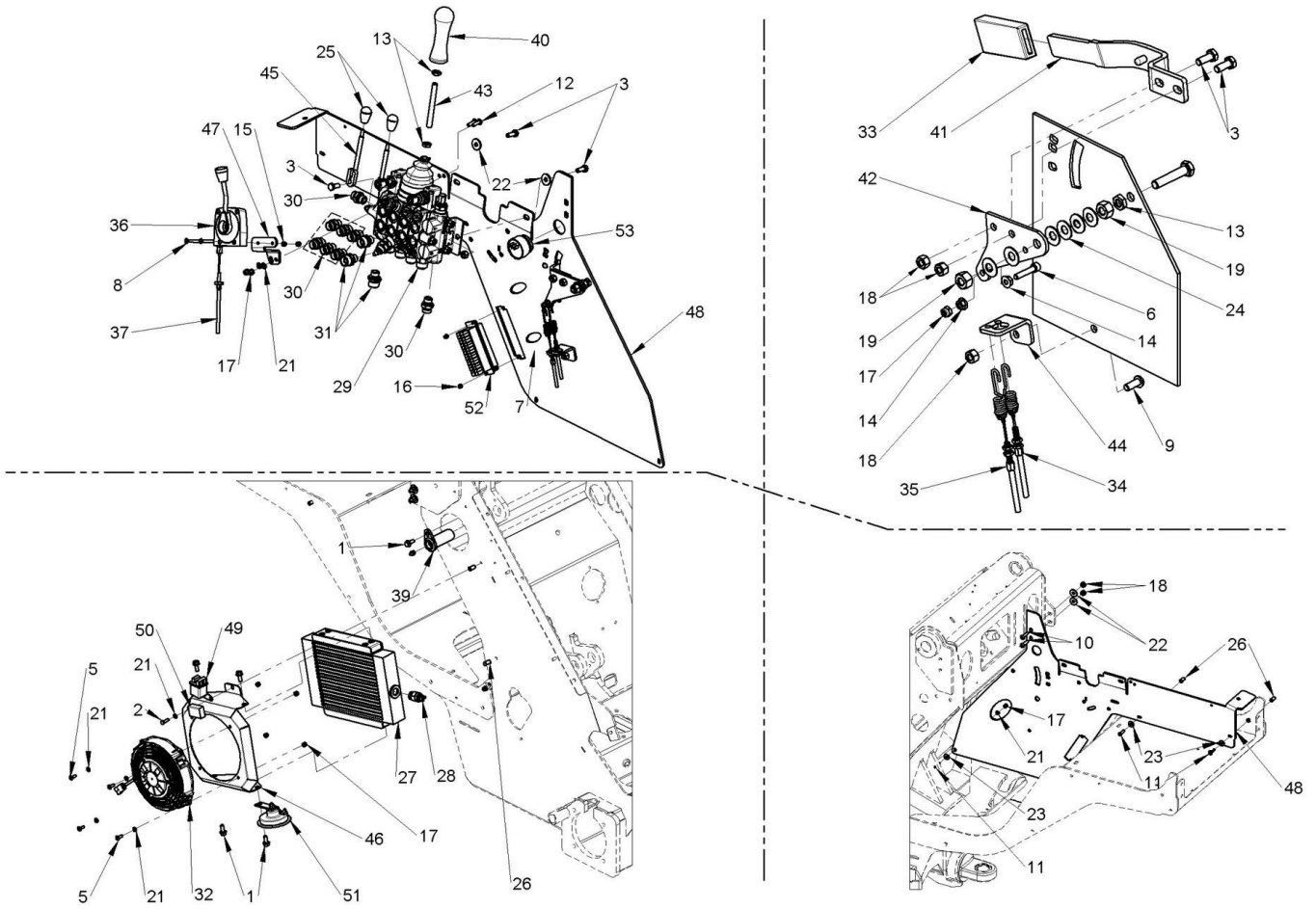
Component list [TAV. 06 M1 5.3 TELESCOPIC BOOM, FIXED PART]

Pos.	Code	Description	Q.ty
1	C018310	ANELLO SEEGER PER FORI 62 DIN 472BORES SEEGER RING 62 DIN 472	2.00000
2	C018326	ANELLO FISSATORE ELASTICO RPCO 6RETAINING WASHER 6	2.00000
3	C019201	VITE TEF CI 8.8 M8X16 DIN 6921HEXAGON FLANGE BOLT M8X16 DIN 6921	4.00000
4	C020081	VITE TE 8.8 M8x80 ZN UNI ISO 4017HEX HEAD SCREW 8.8 M8X80 UNI ISO 4017	2.00000
5	C020232	VITE TCCEI M8x25 DIN 912HEXAGON SOCKET HEAD CAP SCREW M8X25 DIN 912	4.00000
6	C021414	GHIERA REGISTRO TAMPONE BRACCIOREGISTER FOR BUFFER	4.00000
7	C021502	DADO AUTOFRENANTE M8 DIN980SELF BREAKING M8 NUT DIN980	4.00000
8	C023041	RONDELLA NORD-LOCK M8SPNORD LOCK WASHER M8	4.00000
9	C023090	RONDELLA PIANA M6 UNI 6592FLAT WASHER M6 6.4x12x1.6 UNI 6592	2.00000
10	C023100	RONDELLA GREMB M8 DIN 9021PLAIN WASHER LARGE SERIES M8 DIN 9021	4.00000
11	C028260	COPIGLIA 4x40 UNI EN ISO 1234 4x40 SPLINT PIN UNI EN ISO 1234	2.00000
12	C033001	NIPPLES 3/8" GAS / 12LNIPPLES 3/8" G / 12L	4.00000
13	C035119	CAVALLOTTO 2 POS 12 15DOUBLE HOSE HOLDER, 12 AND 15	12.00000
14	C035140	PIASTRINA SUPERIORE PER COLLARE DOPPIOUPPER PLATE FOR HOSE HOLDER, TWIN	2.00000
15	C036006	ANELLO PASSACAVOCABLEGUIDE	2.00000
16		KIT GUARNIZIONI CILINDRI 50 / 30SEAL KIT 50 / 30	1.00000



Draft and part list report
Serial n / code M331834 / C977006
Description MULTIONE 5.2 25 HP 1;GEN

17		KIT GUARNIZIONI PER CILINDRO 75- 30SEALS KIT FOR CYLINDER 50- 30	1.00000
18	C037637	SNODO SFERICO GE 35 FO 2RSGE 35 FO 2RS RADIAL SPHERICAL PLAIN BEARING	2.00000
19	C090030	INGRASSATORE DRITTO M10x1GREASER M10X1 UNI 7663A	4.00000
20	C230162	SPINA FLANGIATA 30-L=76 V.N.I.FLANGED PIN 30 L=76	2.00000
21	C230849	SPINA 30x84 CFCIFLANGED PIN 30x84	1.00000
22	C272257	GUIDA INTERNA SFILO BRACCIO TELESIDLING GUIDE	2.00000
23	C277345	CILINDRO ALZATA BRACCIO 70-35-335LIFT BOOM CYLINDER	1.00000
24	C277348	CILINDRO DEL TELESCOPICOS500-S600 TELESCOPIC CYLINDER	1.00000
25	C277360	SPINA FLANGIATA 35x605 ATTACCO BRACCIOBOOM FIXER FLANGED PIN	1.00000
26	C277760/L	GUIDA INF. SFILO SU FODEROSIDLING GUIDE	4.00000
27	C277793	MOSTRINA DI PROTEZIONE SU BRACCIO TELESCOPICOPROTECTION COVER	2.00000
28	C279622	FODERO BRACCIO TELESCOPICOFEMALE PART OF TELESCOPIC BOOM	1.00000
29	C279632	LAMIERA STRISCIAMENTO TUBI OLIO BRACCIOHOSE HOLDER	1.00000
30	C279633	TAMPONE REGISTRO BRACCIOBUFFER FOR REGISTER 20 L=22	4.00000



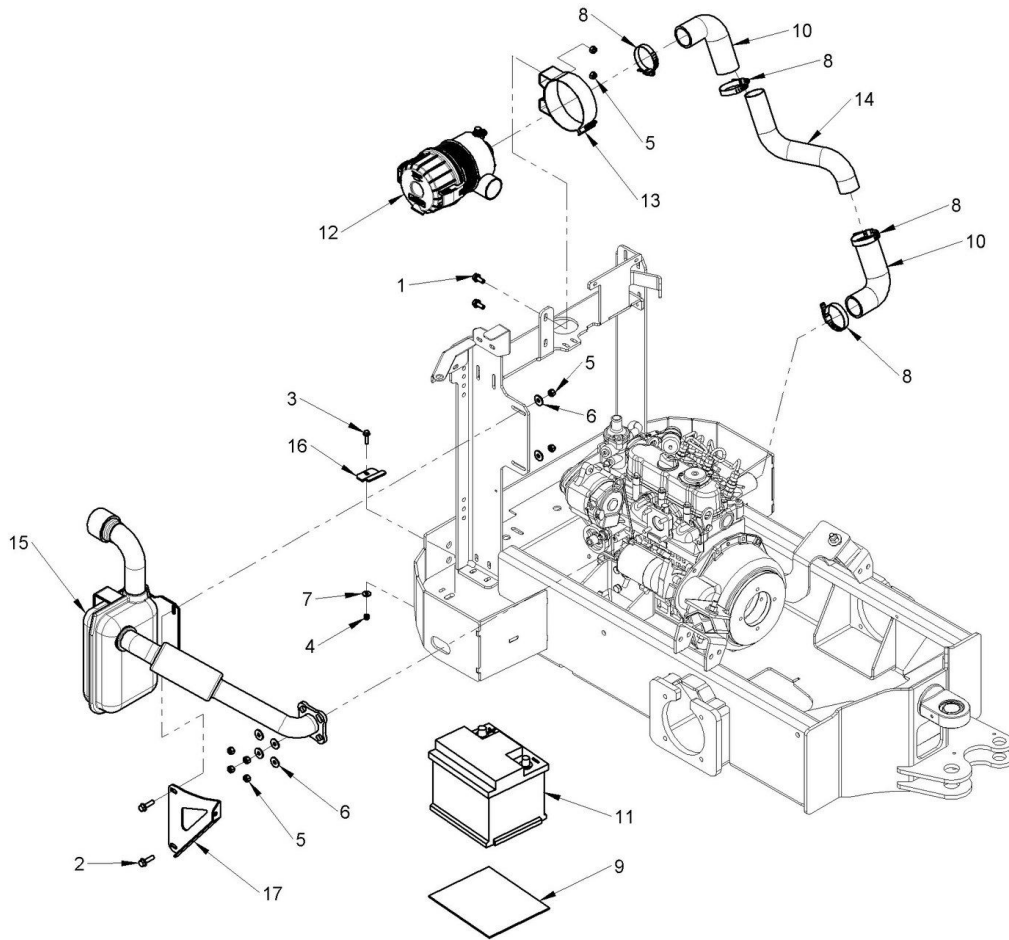
Component list [TAV. 07 5.2 RIGHT SIDE]

Pos.	Code	Description	Q.ty
1	C019202	HEXAGON FLANGE BOLT M8X20 DIN 6921	5.00000
2	C020051	ISO 4017 M6x20 SCREW	2.00000
3	C020072	HEXAGON HEAD BOLT 8.8 M8X20 UNI 5739	5.00000
4	C020105	VITE TE 8.8 M10X50 ZB UNI 5739	1.00000
5	C020145	HEXAGON SOCKET OVAL HEAD SCREW M6x16 ISO 7380	4.00000
6	C020213	SCREW TCCEI M6X30 DIN 912	1.00000
7	C020282	SCREW TCTC M4X12 ZN UNI 7687	2.00000
8	C020291	HEXAGON SOCKET COUNTERSUNK HEAD CAP SCREW 10.9 M5x35 UNI 5933	2.00000
9	C020541	HEXAGON SOCKET OVAL HEAD SCREW M8x20 ISO 7380	1.00000
10	C020544	SCREW TBEI M8x30 ZN UNI/ISO 7380	2.00000
11	C020546	HEXAGON SOCKET OVAL HEAD SCREW M6x25 ISO 7380	3.00000
12	C020548	HEXAGON SOCKET OVAL HEAD SCREW M6x20 ZN UNI/ISO 7380	2.00000
13	C021013	HEXAGON NUT M10 UNI 5589	3.00000
14	C021018	NUT E 6S M6 SERPRESS	2.00000
15	C021102	PREVAILING TORQUE - TYPE HEXAGON NUT WITH POLYAMIDE RING M5 DIN 982	2.00000
16	C021103	SELF LOCKING NUT M4 DIN 982	2.00000



Draft and part list report
Serial n / code M331834 / C977006
Description MULTIONE 5.2 25 HP 1;GEN

17	C021104	PREVAILING TORQUE-TYPE HEXAGONAL NUTS WITH POLYAMIDE RING M6 UNI 7473	8.00000
18	C021502	SLOTTED AND CASTLE HEXAGON NUTS M8 DIN980	7.00000
19	C021503	SELF-LOCKING HEXAGONAL NUT M10 ZN DIN980	2.00000
20	C023060	WASHER FOR M6 UNI 8842 - DIN 6798A	2.00000
21	C023090	FLAT WASHER M6 6.4x12x1.6 UNI 6592	8.00000
22	C023100	PLAIN WASHER LARGE SERIES M8 DIN 9021	4.00000
23	C023110	PLAIN WASHER LARGE SERIES M6 6.5X18X1.5 DIN9021	4.00000
24	C023200	MOLLA A TAZZA 23x10.2x1 DIN 2093	6.00000
25	C028025	CONICAL BALL KNOBS WITH M6 NUT	2.00000
26	C028271	THREAD INSERT M6	4.00000
27	C030587	OIL COOLER FOR MULTIONE S 600 SERIES	1.00000
28	C030606	THERMOSWITCH 50-60;	1.00000
29	C030759	S500 HYDRAULIC DISTRIBUTOR >07-2012 WITH VALVES	1.00000
30	C033001	NIPPLES 3/8" G / 12L	8.00000
31	C033010	3/8"-15L MALE JOINT	3.00000
32	C034001	190mm ELECTRIC FAN	1.00000
33	C035020	GUM HANDLE 30X5	1.00000
34	C038706	LEFT SIDE BRAKE CABLE M SERIES	1.00000
35	C038707	RIGHT SIDE BRAKE CABLE M SERIES	1.00000
36	C038711	WATERPROOF THROTTLE CONTROL HAND LEVER	1.00000
37	C038712	THROTTLE CABLE SL800	1.00000
38	C090030	GREASER M10X1 UNI 7663A	1.00000
39	C230162	FLANGED PIN T30 L=76	1.00000
40	C271683	JOYSTICK HANDLE FOR M AND S620	1.00000
41	C272054	BRAKE LEVER, INNER SIDE	1.00000
42	C272057	HAND BRAKE LEVER, OUT SIDE	1.00000
43	C272097	BARRA FILETTATA M10x100 PER JOYSTICK S500 ZINCATA	1.00000
44	C277287	WIRE BRAKE HOLDER	1.00000
45	C277298	AUX DISTRIBUTOR LEVER	1.00000
46	C277316	CONVOGLIATORE RADIATORE OLIO S600	1.00000
47	C277686	SUPPORTO PER LEVA ACCELERATORE S500-600 2012	1.00000
48	C277687	FIANCO DX SUPPORTO DISTRIBUTORI S500-S600 REV.05	1.00000
49	FF162/1569465990	KUBOTA PRE HEATING ELECTRONIC RELAY	1.00000
50	FF162/T007031410	KUBOTA D722/D902 TIMER	1.00000
51	FF180/135007	HORN DEVICE	1.00000
52	FF180/AK 67111	FUSE BOX	1.00000
53	FF382/15.002.005	{{>desc}}	1.00000



Component list [TAV. 08 5.2 MUFFLER, BATTERY, AIR FILTER]

Pos.	Code	Description	Q.ty
1	C019202	HEXAGON FLANGE BOLT M8X20 DIN 6921	2.00000
2	C019204	HEXAGON FLANGE BOLT M8X30 ZB UNI EN ISO 1665	2.00000
3	C019213	M6x25 BOLT UNI 1665	1.00000
4	C021104	PREVAILING TORQUE-TYPE HEXAGONAL NUTS WITH POLYAMIDE RING M6 UNI 7473	1.00000
5	C021502	SLOTTED AND CASTLE HEXAGON NUTS M8 DIN980	8.00000
6	C023100	PLAIN WASHER LARGE SERIES M8 DIN 9021	6.00000
7	C023110	PLAIN WASHER LARGE SERIES M6 6.5X18X1.5 DIN9021	1.00000
8	C029031	CLAMP MEB 12 INOX 40-60	4.00000
9	C029253	PANNELLO IN GOMMA ANTIVIBRAZIONI mm. 210x175 Sp. 3	1.00000
10	C036000	AIR INTAKE HOSE	2.00000
11	C036433	BATTERY 12V 44 AH	1.00000
12	C039054	4" AIR FILTER BODY	1.00000
13	C039151	MOUNTING BAND FOR 4" AIR FILTER	1.00000
14	C039189	{{>desc}}	1.00000
15	C039206	5.2 MUFFLER	1.00000
16	C277108	BATTERY BRACKET	1.00000

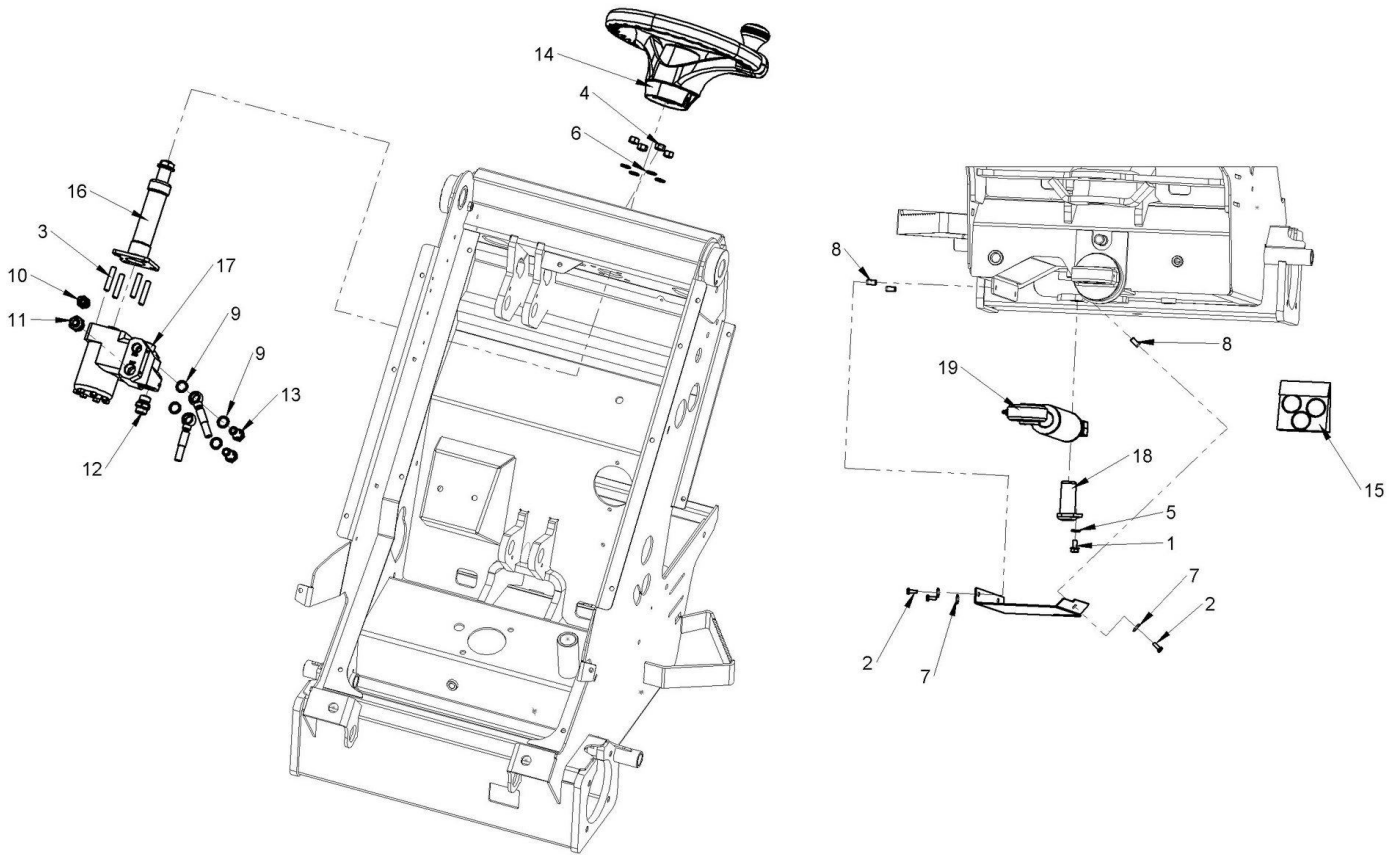


Draft and part list report
Serial n / code M331834 / C977006
Description MULTIONE 5.2 25 HP 1;GEN

17 C282275

RIGHT COVER SUPPORT

1.00000



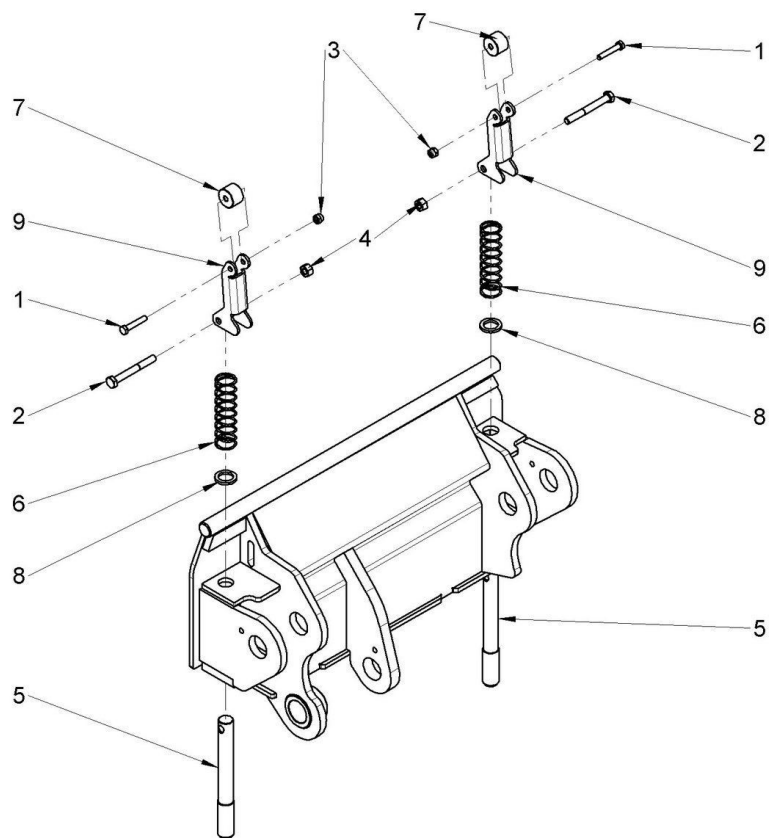
Component list [TAV. 09 M1 5.3 POWER STEERING]

Pos.	Code	Description	Q.ty
1	C019201	VITE TEF CI 8.8 M8X16 DIN 6921HEXAGON FLANGE BOLT M8X16 DIN 6921	1.00000
2	C020050	VITE TE M6x16HEXAGON HEAD PIPE PLUG M6X16 UNI 5739	3.00000
3	C020551	BARRA FILETTATA M10 L=55THREADED ROD M10	4.00000
4	C021503	DADO AUTOFRENANTE M10 ZG DIN980SELF-LOCKING HEXAGONAL NUT M10 ZN DIN980	4.00000
5	C023041	RONDELLA NORD-LOCK M8SPNORD LOCK WASHER M8	1.00000
6	C023080	RONDELLA PIANA M10FLAT WASHER M10	4.00000
7	C023110	RONDELLA GREMB M6 DIN 9021PLAIN WASHER LARGE SERIES M6 6.5X18X1.5 DIN9021	3.00000
8	C028271	RIVETTO FILETTATO TONDO M6STUMP WITH THREAD M6	3.00000
9	C030547	RONDELLA BONDED 3/8" GASBONDED WASHER 3/8" GAS	4.00000
10	C033001	NIPPLES 3/8"GAS / 12LNIPPLES 3/8"G / 12L	1.00000
11	C033002	NIPPLES 1/2"GAS / 12LNIPPLES 1/2" G / 12L	1.00000
12	C033003	NIPPLES 1/2"GAS / 15LNIPPLES 1/2" GAS / 15L	1.00000
13	C033016	VITE PER OCCHIO SINGOLA 3/8" GASSCREW EYE 3/8" GAS	2.00000
14	C036465	VOLANTE CSFSTEERING WHEEL	1.00000
15		KIT GUARNIZIONI PER CILINDRO 50- 30SEALS KIT FOR CYLINDER 50- 30	1.00000



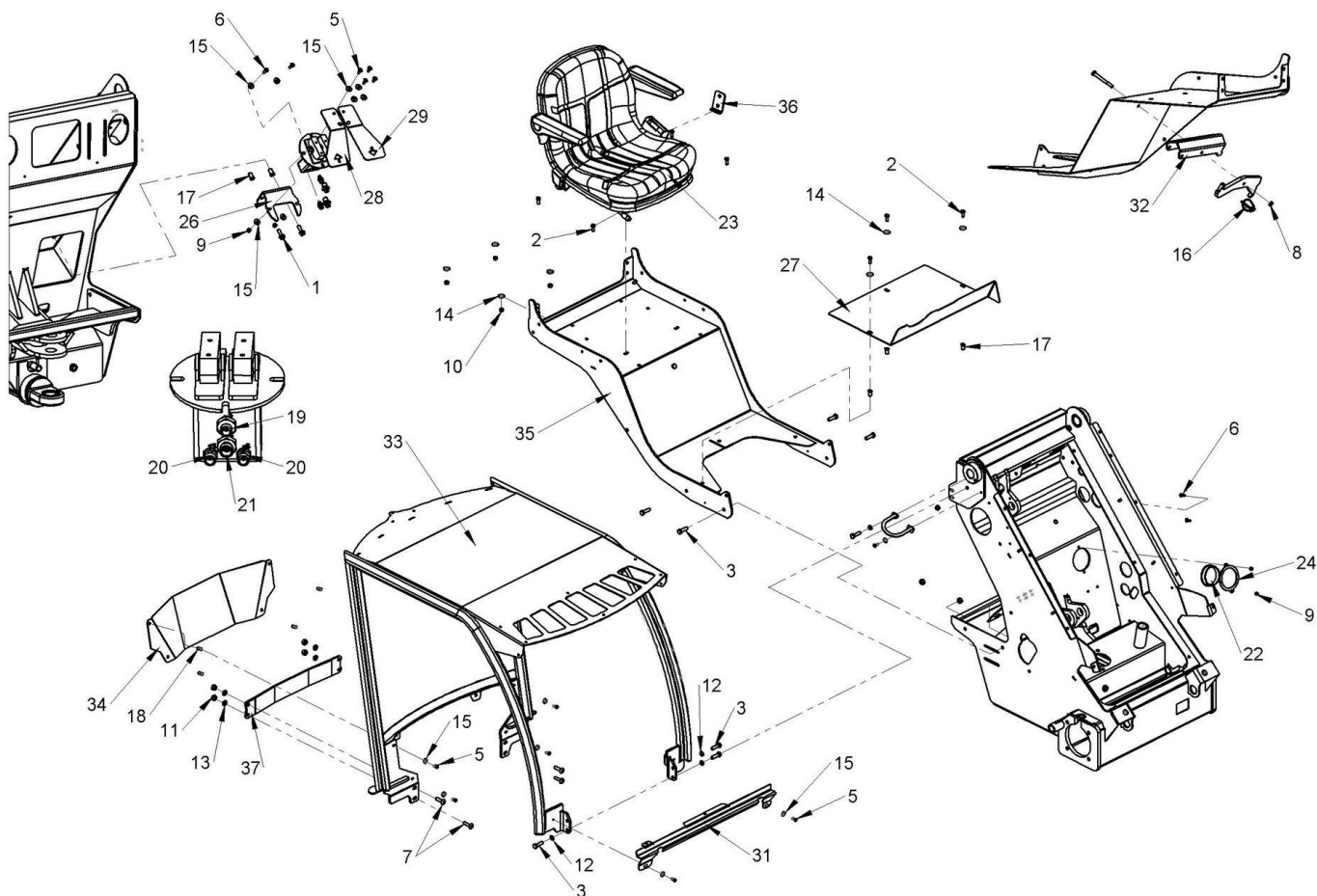
Draft and part list report
Serial n / code M331834 / C977006
Description MULTIONE 5.2 25 HP 1^oGEN

16	C038507	COLONNETTA STERZOSTEERING COLUMN	1.00000
17	C038510	IDROGUIDA 80 ccPOWER STEERING	1.00000
18	C230164	SPINA 30 L=66 V.N.I.PIN FOR POWER STEERING CYLINDER 30x66	1.00000
19	C272070	CILINDRO 50-30-187 STERZOSTEERING CYLINDER	1.00000
20	C277685	CARTER PROTEZIONE CILINDRO IDROG.STEERING CYLINDER PROTECTION	1.00000



Component list [TAV. 10 M1 5.3 MANUAL COUPLING PLATE]

Pos.	Code	Description	Q.ty
1	C020054	VITE TE 8.8 M6x35 ZG UNI 4017HEXAGON HEAD SCREW M6x35 ZB UNI 4017	2.00000
2	C020086	VITE TE 8.8 M8x70 P. F. UNI 5737HEXAGON HEAD BOLT 8.8 M8x70 ISO 4014	2.00000
3	C021104	DADO AUTOBLOCCANTE M6 UNI 7473SELF LOCKING NUT M6 UNI 7473	2.00000
4	C021502	DADO AUTOFRENANTE M8 DIN980SELF BREAKING M8 NUT DIN980	2.00000
5	C220329	SPINA SICUREZZA PIASTRA PORTA UT.LOCKING PIN FOR COUPLING PLATE	2.00000
6	C220330	MOLLA COMPRESSIONE 26x22x2 L=130 10 SPIRESRING	2.00000
7	C220393/L	RULLINO PER LAVA DI MANOVRA BLOCCAGGIO UTENSILIROLLER FOR LEVER	2.00000
8	C230858	RONDELLA REAZIONE MOLLAFLAT WASHER	2.00000
9	C272284	CAMMA AGGANCIO SEMIAUTOMATICO UTENSILICAM COUPLING SEMI AUTO TOOLS	2.00000



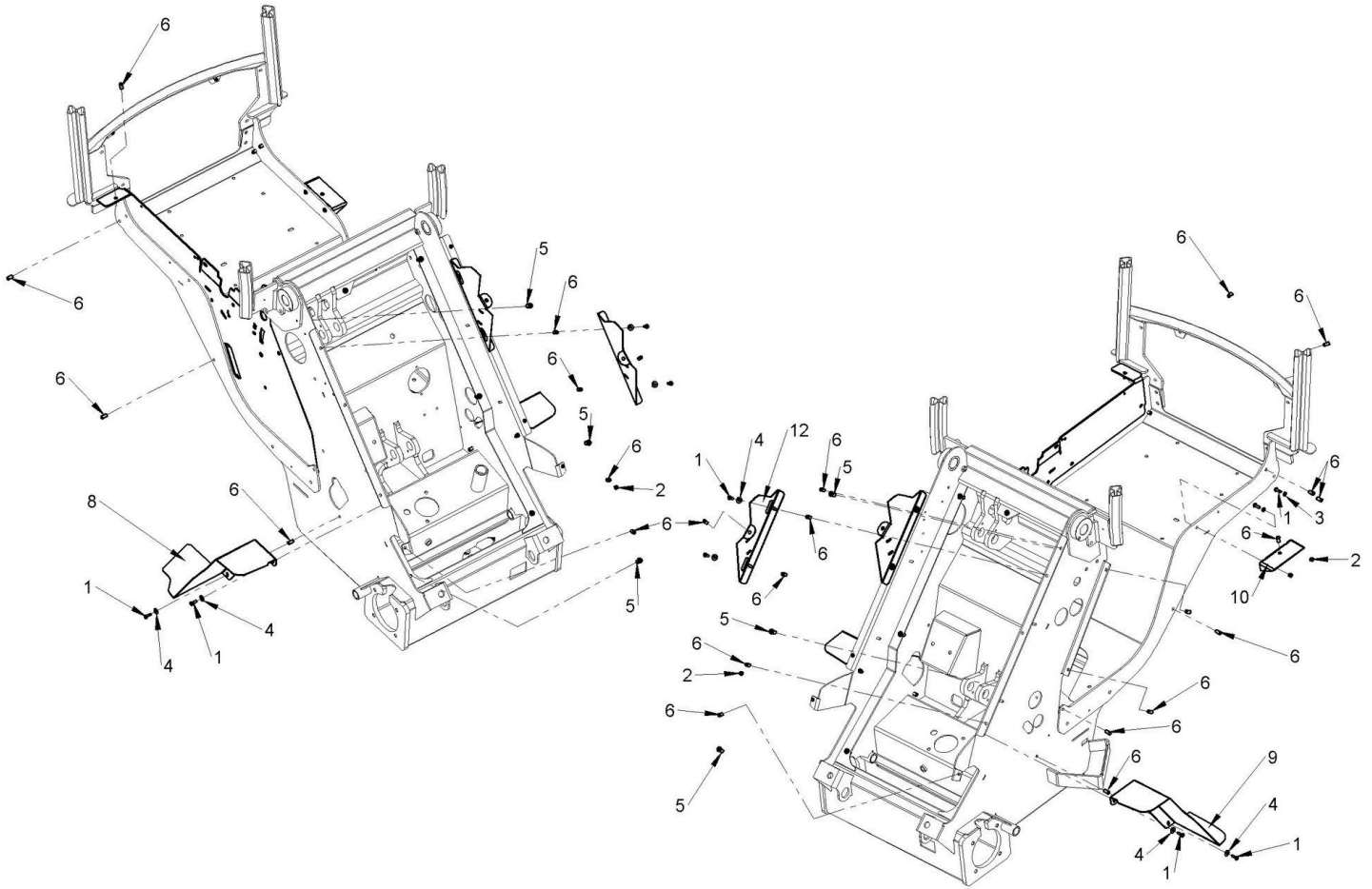
Component list [TAV. 11 M1 5.3 SEAT ROLL-BAR AND PEDALS]

Pos.	Code	Description	Q.ty
1	C019203	VITE TEF M8x25 UNI EN ISO 1665HEXAGON FLANGE BOLT M8X25 ISO 1665	2.00000
2	C020072	VITE TE M8x20 ISO 4017SCREW M8x20 ISO 4017	7.00000
3	C020103	VITE TE 8.8 M10x35 UNI ISO 4017HEXAGON HEAD SCREW M10x35 ISO 4017	8.00000
4	C020114	VITE TE M10x90SCREW M10x90	1.00000
5	C020145	VITE TBEI M6x16 ZN UNI/ISO 7380HEXAGON SOCKET OVAL HEAD SCREW M6x16 ISO 7380	11.00000
6	C020548	VITE TBEI M6x20 UNI/ISO 7380HEXAGON SOCKET OVAL HEAD SCREW M6x20 ZN UNI/ISO 7380	4.00000
7	C020103	VITE M10x35SCREW M10x35	4.00000
8	C021013	DADO M10 BASSO ISO 4035HEXAGON NUT M10 UNI 5589	1.00000
9	C021104	DADO AUTOBLOCCANTE M6 UNI 7473SELF LOCKING NUT M6 UNI 7473	4.00000
10	C021502	DADO AUTOFRENANTE M8 DIN980SELF BREAKING M8 NUT DIN980	4.00000
11	C021503	DADO AUTOFRENANTE M10 ZG DIN980SELF-LOCKING HEXAGONAL NUT M10 ZN DIN980	8.00000
12	C023042	RONDELLA NORD-LOCK M10SELF LOCKING FLANGE NORD LOCK M10	4.00000
13	C023080	RONDELLA PIANA M10FLAT WASHER M10	4.00000
14	C023100	RONDELLA GREMB M8 DIN 9021PLAIN WASHER LARGE SERIES M8 DIN 9021	7.00000



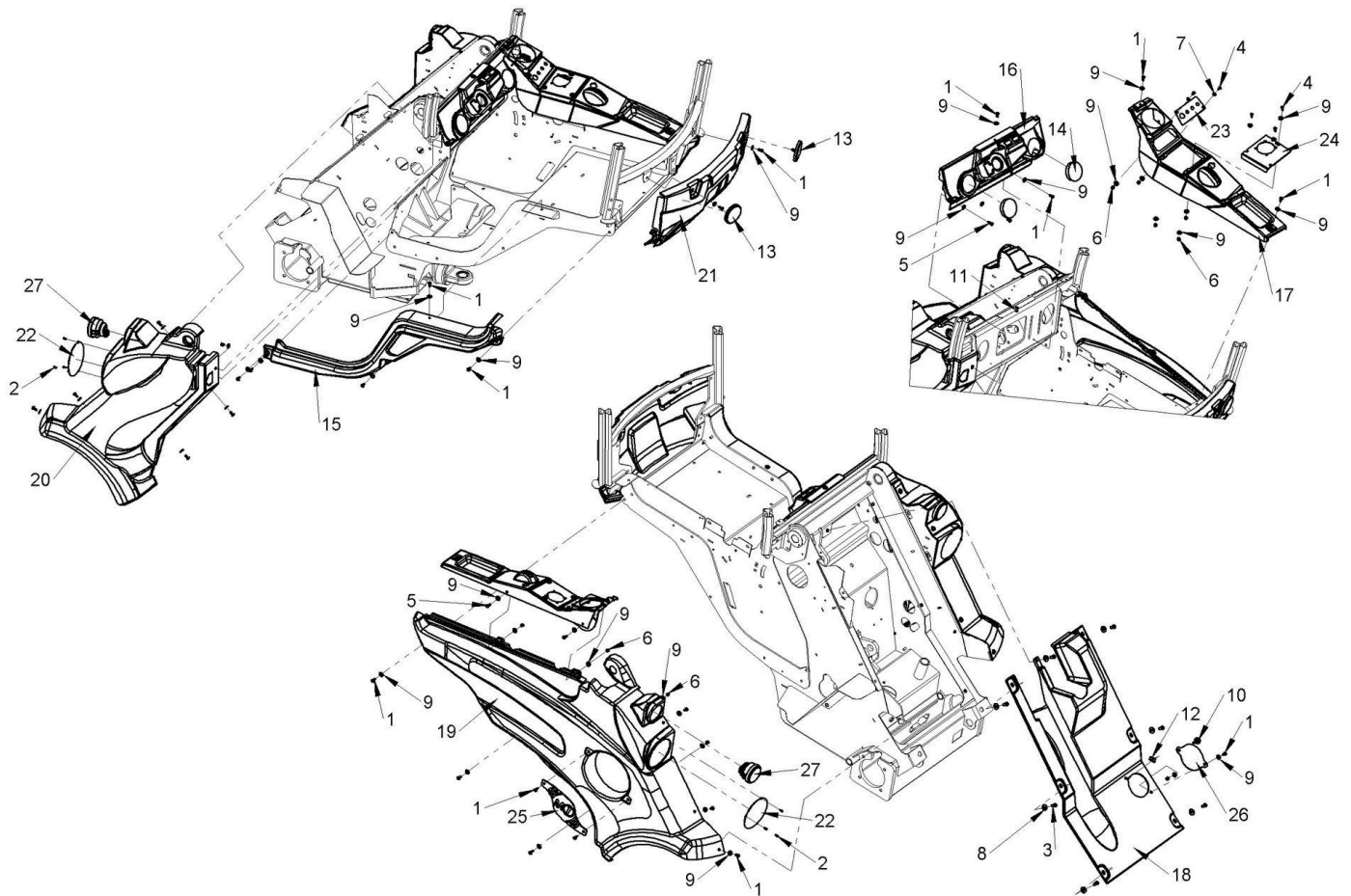
Draft and part list report
Serial n / code M331834 / C977006
Description MULTIONE 5.2 25 HP 1;GEN

15	C023110	RONDELLA GREMB M6 DIN 9021PLAIN WASHER LARGE SERIES M6 6.5X18X1.5 DIN9021	15.00000
16	C028201	SPINA A SCATTOSNAP PLUG	1.00000
17	C028270	RIVETTO FILETTATO TONDO M8M8 THREAD INSERT	5.00000
18	C028271	RIVETTO FILETTATO TONDO M6STUMP WITH THREAD M6	4.00000
19	C033007	NIPPLES 1/4" GAS / 6LNIPPLES 1/4" GAS / 6L	1.00000
20	C033008	NIPPLES 1/8"GAS / 6LNIPPLES 1/8"GAS / 6L	2.00000
21	C033134	NIPPLES 1/4"GAS / 8LNIPPLES 1/4 GAS-8L	1.00000
22	C035043	TAPPOPLUG	1.00000
23	C036750	SEDILE COBO GT75 CON CINTURASEAT WITH BELT	1.00000
24	C272053	FLANGIA BOCCHETTA VENTILAZIONEJETS FAN FLANGE	1.00000
25	C277288	CAVALLOTTO GUIDA TUBIPIPE DRIVER	1.00000
26	C277292	STAFFA FISSAGGIO PEDALIERAPEDAL SUPPORT	1.00000
27	C277293	PEDANA ABITACOLOFOOT-BOARD	1.00000
28	C277302	PEDALE MARCIA AVANTIFORWARD PEDAL CONTROL	1.00000
29	C277303	PEDALE MARCIA INDIETROFORWARD PEDAL CONTROL	1.00000
30	C277305	BLOCCO CERNIERA PER TRASPORTIARTICULATION LOCK	1.00000
31	C277315	FISSAGGIO CRUSCOTTO FRONTALEFORNT PANEL SUPPORT	1.00000
32	C277317	FERMO DI SICUREZZA BRACCIO SAFETY STOP FOR BOOM CYLINDER	1.00000
33	C284350	STRUTTURA ROLL-BAR CABINAROLL-BAR	1.00000
34	C284364	LAMIERA DIETRO SEDILEREAR SEAT SUPPORT	1.00000
35	C284365	SUPPORTO SEDILESEAT SUPPORT	1.00000
36	C284368	STAFFA ALLUNGAMENTO ARROTOLATORE CINTURAADDICTET BRACKET FOR SAFETY BELT	1.00000
37	C284369	GIUNZIONE POSTERIORE ROLL BARREAR JOINT ROLL BAR	1.00000



Component list [TAV. 12 M1 5.3 FRONT COVER SUPPORT]

Pos.	Code	Description	Q.ty
1	C020548	VITE TBEI M6x20 UNI/ISO 7380HEXAGON SOCKET OVAL HEAD SCREW M6x20 ZN UNI/ISO 7380	10.0000
2	C021104	DADO AUTOBLOCCANTE M6 UNI 7473SELF LOCKING NUT M6 UNI 7473	4.0000
3	C023090	RONDELLA PIANA M6 UNI 6592FLAT WASHER M6 6.4x12x1.6 UNI 6592	2.0000
4	C023110	RONDELLA GREMB M6 DIN 9021PLAIN WASHER LARGE SERIES M6 6.5X18X1.5 DIN9021	8.0000
5	C028270	RIVETTO FILETTATO TONDO M8M8 THREAD INSERT	7.0000
6	C028271	RIVETTO FILETTATO TONDO M6STUMP WITH THREAD M6	26.0000
7	C274258	BLOCCA VETROGLASS HOLDER FOR CABIN	1.0000
8	C277275	PARAFANGO ANTERIORE DXFRONT RIGHT MUDGUARD	1.0000
9	C277275	PARAFANGO ANTERIORE DXFRONT RIGHT MUDGUARD	1.0000
10	C277290	STAFFA SOSTEGNO FIANCHETTO CARROZZ. LATO PORTAOUTLINE DOOR COVER SUPPORT	1.0000
11	C277685	CARTER PROTEZIONE CILINDRO IDROG.STEERING CYLINDER PROTECTION	1.0000
12	C277837	SUPPORTO PORTAFARO ANT. SXFRONT RIGHT LIGHT HOLDER SUPPORT	1.0000
13	C277839	SUPPORTO PORTAFARO ANT. DXFRONT RIGHT LIGHT HOLDER SUPPORT	1.0000



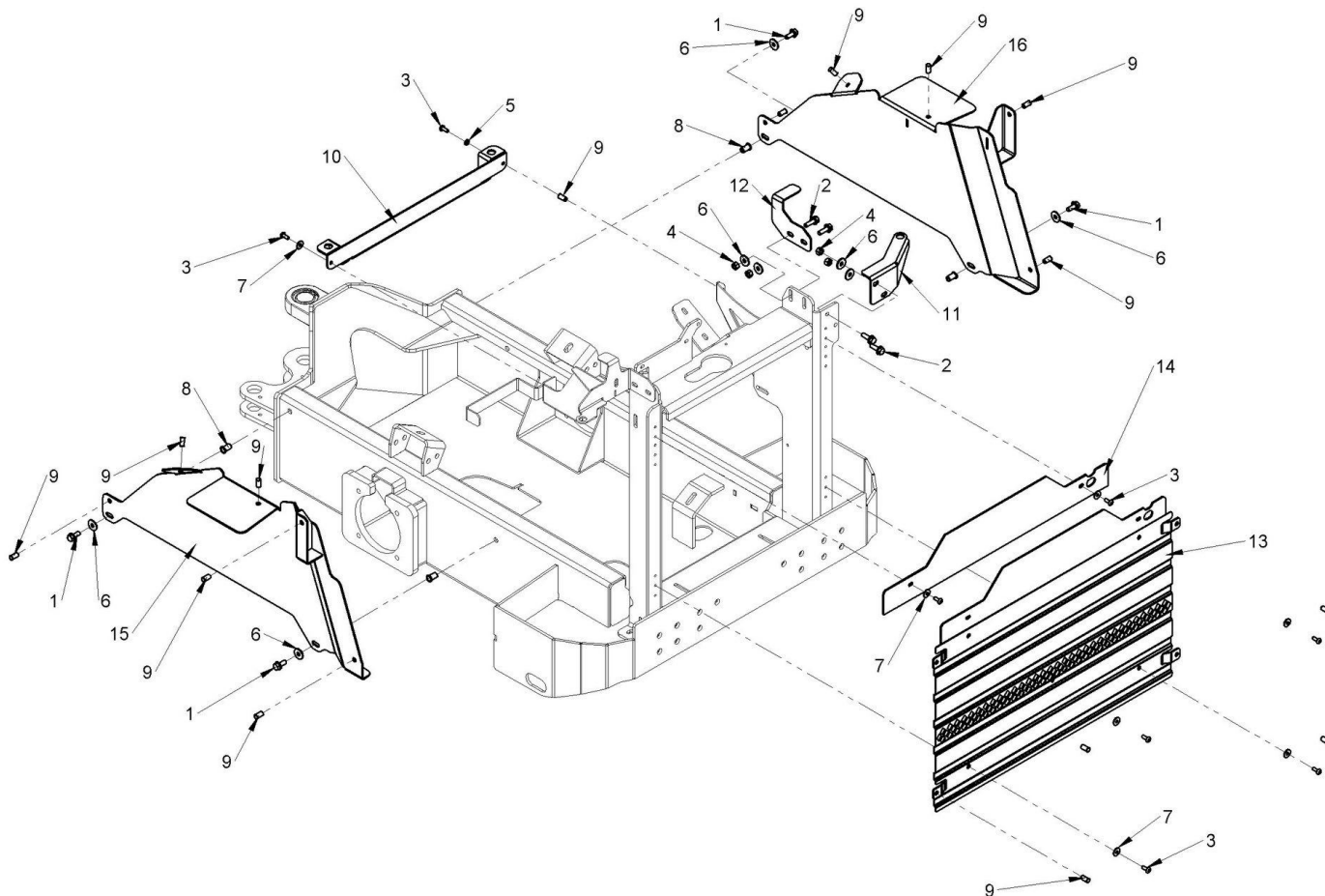
Component list [TAV. 13 M1 5.3 FRONT PLASTIC COVER]

Pos.	Code	Description	Q.ty
1	C020145	VITE TBEI M6x16 ZN UNI/ISO 7380HEXAGON SOCKET OVAL HEAD SCREW M6x16 ISO 7380	27.00000
2	C020302	VITE AUTOFILETTANTE 3,5x9,5mmSELF TAPPING SCREW	6.00000
3	C020541	VITE TBEI M8x20 UNI/ISO 7380HEXAGON SOCKET OVAL HEAD SCREW M8x20 ISO 7380	7.00000
4	C020547	VITE TBEI M5x16 UNI/ISO 7380HEXAGON SOCKET OVAL HEAD SCREW M5x16 ISO 7380	5.00000
5	C020548	VITE TBEI M6x20 UNI/ISO 7380HEXAGON SOCKET OVAL HEAD SCREW M6x20 ZN UNI/ISO 7380	3.00000
6	C021104	DADO AUTOBLOCCANTE M6 UNI 7473SELF LOCKING NUT M6 UNI 7473	11.00000
7	C023090	RONDELLA PIANA M6 UNI 6592FLAT WASHER M6 6.4x12x1.6 UNI 6592	2.00000
8	C023100	RONDELLA GREMB M8 DIN 9021PLAIN WASHER LARGE SERIES M8 DIN 9021	7.00000
9	C023110	RONDELLA GREMB M6 DIN 9021PLAIN WASHER LARGE SERIES M6 6.5X18X1.5 DIN9021	42.00000
10	C028024	VOLANTINO A 3 LOBI CON PERNO M6x20THREE-LOBED LOWERED HANDWHEEL WITH M6x20 THREADED PIN	1.00000
11	C028271	RIVETTO FILETTATO TONDO M6STUMP WITH THREAD M6	1.00000
12	C028285	PIASTRINA IMBUTITA M6MULTITHREAD U-TYPE NUT M6	1.00000
13	C034018	CATADIOTRO 80 ROSSO 80 RED RETRO REFLECTOR	2.00000
14	C035043	TAPPOPLUG	2.00000



Draft and part list report
Serial n / code M331834 / C977006
Description MULTIONE 5.2 25 HP 1;GEN

15	C041261	FIANCHETTO ANT. SX PROFILO PORTAOUTLINE DOOR COVER	1.00000
16	C041282	CRUSCOTTO FRONTALEDASHBOARD RAL 7016	1.00000
17	C041283	CRUSCOTTO COMANDICONTROL PANEL COVER	1.00000
18	C041403	CARTER SOTTO BRACCIO "S" UNDER BOOM COVER	1.00000
19	C041406	CARTER ANT. DX FARI STRAD.FRONT RIGHT ROAD LIGHT MUDGUARD	1.00000
20	C041407	FIANCO PARAFANGO ANT. SX FARI STRADALI UNIFIC.FRONT LEFT ROAD LIGHT MUDGUARD (DIRECTION ARROW=WORK LIGHT)	1.00000
21	C041550	CARTER POSTERIORE CABINABACK CABIN COVER	1.00000
22	C274023	DISCO COPRI FORO FARO ANTERIOREMAIN LIGHT CAP	2.00000
23	C277689	MOSTRINA INTERRUTTORISWITCH SUPPORT	1.00000
24	C277739	MOSTRINA LEVE DISTRIBUTOREJOISTICK STICKER SUPPORT S630+ (2012) REV.02	1.00000
25	C284320	MOSTRINA SOPRAVENTOLA FIANCO DXCOOLER FAN COVER	1.00000
26	C284374	SPORTELLLO ISPEZIONE OLIO IDRAULICOIL TANK INSPECTION DOOR	1.00000
27	FF180/05.0697.0000.03	FARO DI LAVORO 80LIGHT WORK	2.00000



Component list [TAV. 14 M1 5.3 REAR COVER SUPPORT]

Pos.	Code	Description	Q.ty
1	C019202	VITE TEF M8x20 DIN 6921HEXAGON FLANGE BOLT M8X20	4.00000
2	C019203	VITE TEF M8x25 UNI EN ISO 1665HEXAGON FLANGE BOLT M8X25 ISO 1665	4.00000
3	C020145	VITE TBEI M6x16 ZN UNI/ISO 7380HEXAGON SOCKET OVAL HEAD SCREW M6x16 ISO 7380	8.00000
4	C021502	DADO AUTOFRENANTE M8 DIN980SELF BREAKING M8 NUT DIN980	5.00000
5	C023090	RONDELLA PIANA M6 UNI 6592FLAT WASHER M6 6.4x12x1.6 UNI 6592	1.00000
6	C023100	RONDELLA GREMB M8 DIN 9021PLAIN WASHER LARGE SERIES M8 DIN 9021	9.00000
7	C023110	RONDELLA GREMB M6 DIN 9021PLAIN WASHER LARGE SERIES M6 6.5X18X1.5 DIN9021	7.00000
8	C028270	RIVETTO FILETTATO TONDO M8M8 THREAD INSERT	4.00000
9	C028271	RIVETTO FILETTATO TONDO M6STUMP WITH THREAD M6	15.00000
10	C282276	SUPPORTO CENTRALE TERMOFORMATICENTRAL COVER SUPPORT	1.00000
11	C282277	SUPPORTO TERMOFORMATO LATO MARMITTARIGHT SIDE COVER SUPPORT	1.00000
12	C282278	STAFFA CHIUSURA COFANO MOTOREENGINE COVER SUPPORT	1.00000
13	C283067	ASSIEME RETE COFANO POSTERIORERADIATOR NET	1.00000
14	C283074	LAMIERA CHIUSURA SOPRA RETEPLATE ABOVE RADIATOR NET	1.00000
15	C284315	FIANCO SMONTABILE SXLEFT REMOVABLE SIDE	1.00000

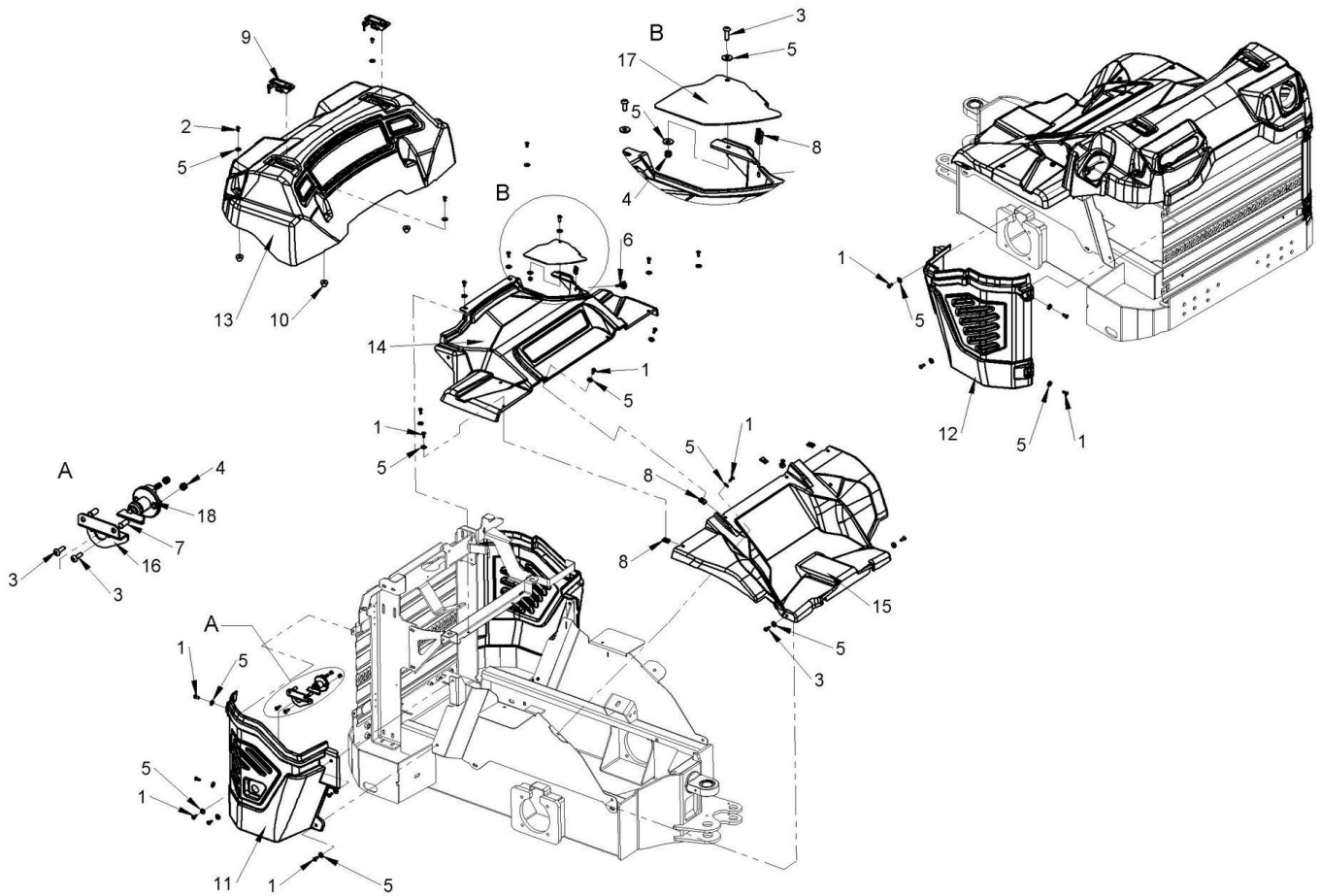


Draft and part list report
Serial n / code M331834 / C977006
Description MULTIONE 5.2 25 HP 1;GEN

16 C284318

FIANCO SMONTABILE DXRIGHT SIDE

1.00000



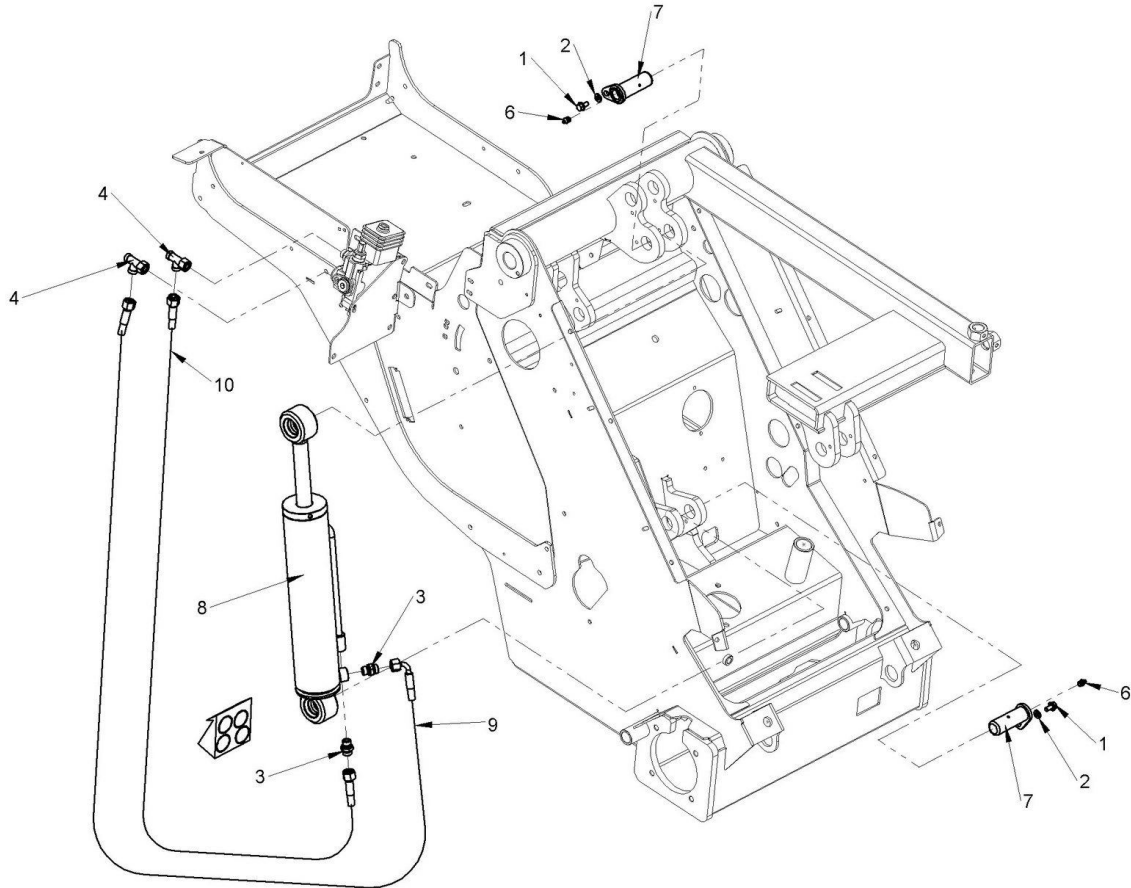
Component list [TAV. 15 M1 5.3 REAR PLASTIC COVER]

Pos.	Code	Description	Q.ty
1	C020145	VITE TBEI M6x16 ZN UNI/ISO 7380HEXAGON SOCKET OVAL HEAD SCREW M6x16 ISO 7380	20.00000
2	C020542	VITE TBEI M6x12 UNI ISO 7380M6x12 SCREW ISO 7380	4.00000
3	C020548	VITE TBEI M6x20 UNI/ISO 7380HEXAGON SOCKET OVAL HEAD SCREW M6x20 ZN UNI/ISO 7380	5.00000
4	C021104	DADO AUTOBLOCCANTE M6 UNI 7473SELF LOCKING NUT M6 UNI 7473	3.00000
5	C023110	RONDELLA GREMB M6 DIN 9021PLAIN WASHER LARGE SERIES M6 6.5X18X1.5 DIN9021	28.00000
6	C028024	VOLANTINO A 3 LOBI CON PERNO M6x20THREE-LOBED LOWERED HANDWHEEL WITH M6x20 THREADED PIN	1.00000
7	C028271	RIVETTO FILETTATO TONDO M6STUMP WITH THREAD M6	2.00000
8	C028285	PIASTRINA IMBUTITA M6MULTITHREAD U-TYPE NUT M6	5.00000
9	C035045	CHIUSURA A SCATTOLOCK HANDLE	2.00000
10	C035142	PARACOLPI 24 H=19 FEMMINA M6 PUNTA PARABOLIC SILENT BLOCK 24 H=16	4.00000
11	C041450	FIANCO POST. DX 6.3REAR RIGHT SIDE	1.00000
12	C041451	FIANCO POST. SX 6.3REAR LEFT SIDE	1.00000
13	C041473	ASSIEME COFANO SOPRA MOTORE 6.3M1 5.3 6.3 OVER ENGINE COVER ASSEMBLY	1.00000
14	C041552	CARTER SOPRA POMPECOVER OVER PUMP	1.00000



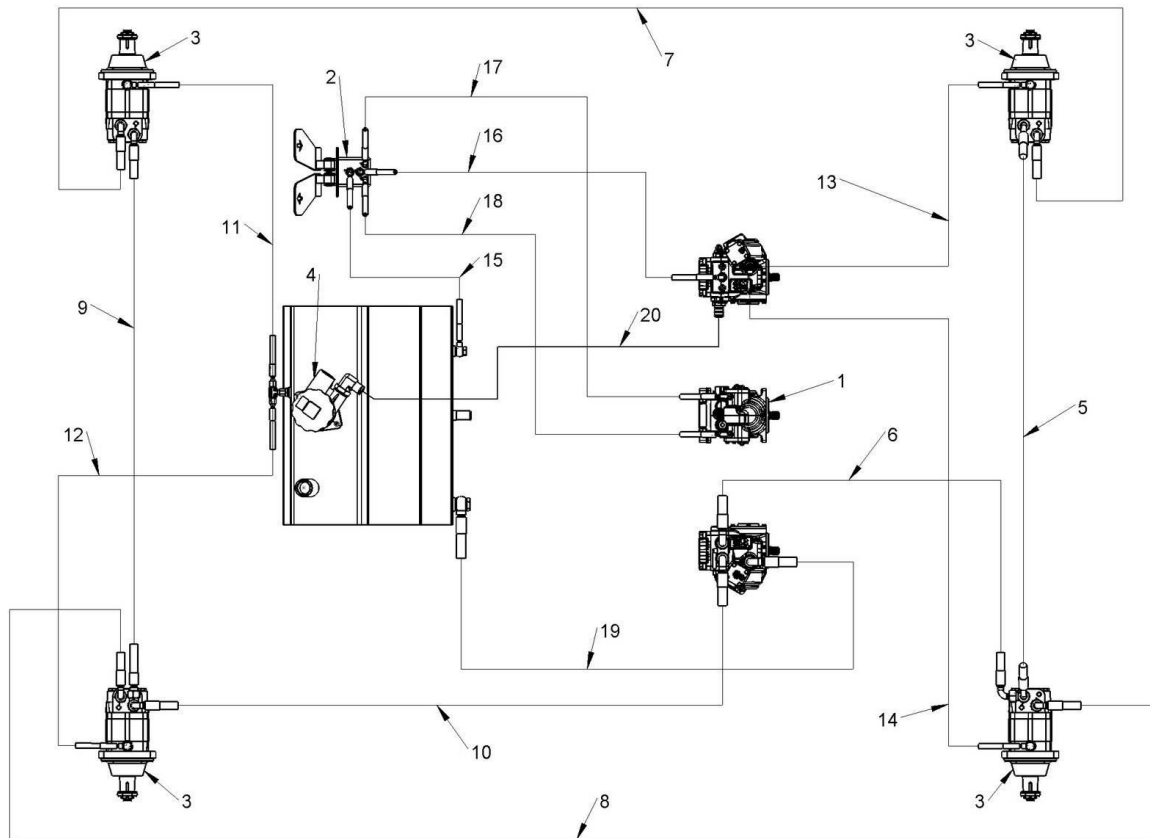
Draft and part list report
Serial n / code M331834 / C977006
Description MULTIONE 5.2 25 HP 1;GEN

15	C041553	CARTER SOPRACERNIERACOVER OVER HINGER	1.00000
16	C281889	SUPPORTO STACCA BATTERIASWITCH BATTERY SUPPORT	1.00000
17	C284314	SPORTELLO ISPEZIONE ASTA OLIODIP STICK ACCES DOOR	1.00000
18	FF180/0034.0303	STACCABATTERIABATTERY SWITCH	1.00000



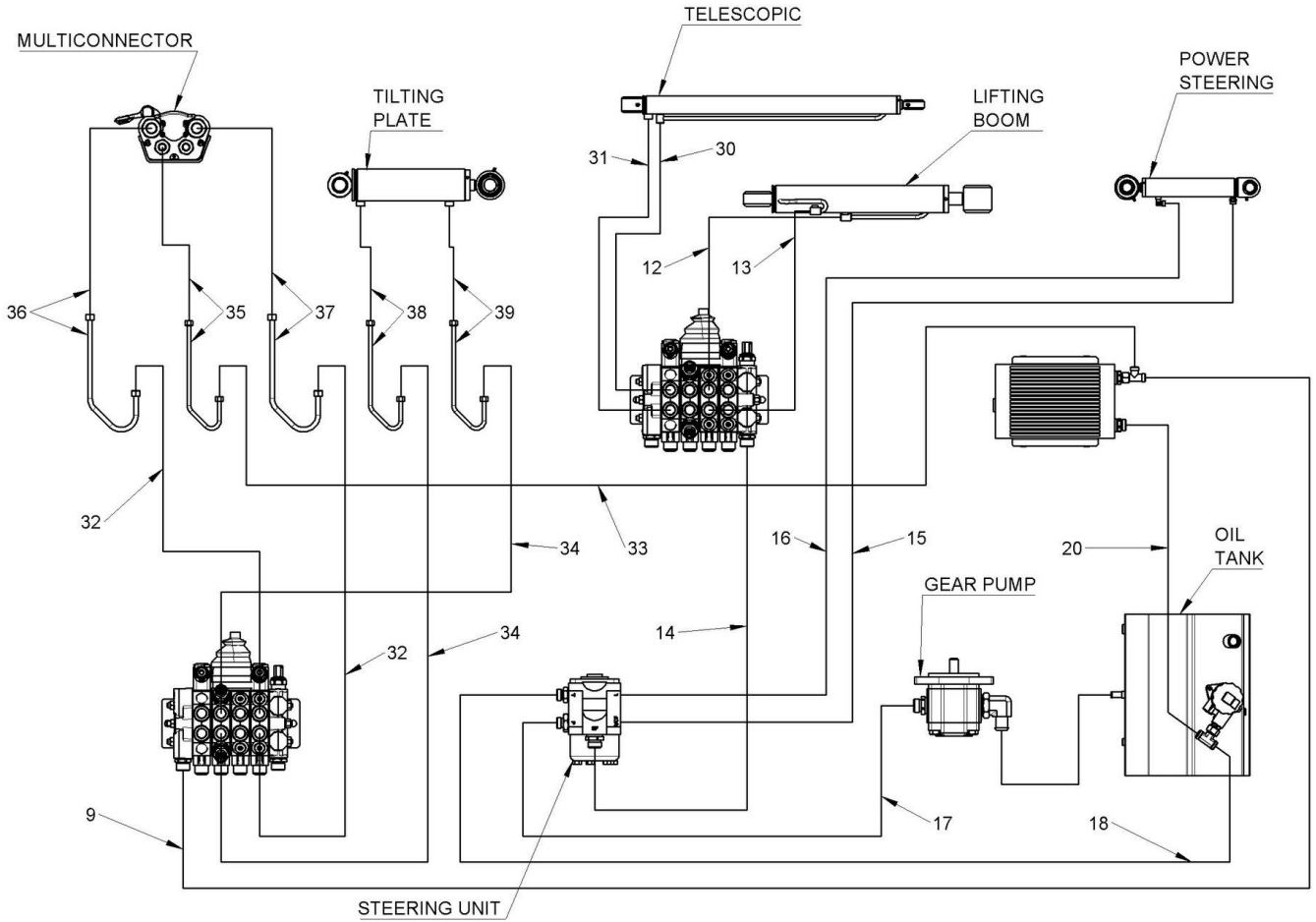
Component list [TAV. 16 M1 5.3 SELF LEVELLING]

Pos.	Code	Description	Q.ty
1	C019201	VITE TEF CI 8.8 M8X16 DIN 6921HEXAGON FLANGE BOLT M8X16 DIN 6921	2.00000
2	C023041	RONDELLA NORD-LOCK M8SPNORD LOCK WASHER M8	2.00000
3	C033001	NIPPLES 3/8" GAS / 12LNIPPLES 3/8"G / 12L	2.00000
4	C033032	RACCORDO A T F-M-M 12LT-CONNECTION F-M-M 12L	2.00000
5		KIT GUARNIZIONI PER CILINDRO ALESAGGIO 75 STELO 30CYLINDER SEAL KIT BORE 75 ROD 30	1.00000
6	C090030	INGRASSATORE DRITTO M10x1GREASER M10X1 UNI 7663A	2.00000
7	C230849	SPINA 30x84 CFCIFLANGED PIN 30x84	2.00000
8	C279627	CILINDRO 75-30-220 COMPENSATORESELF LEVELING CYLINDER	1.00000
9	C810275/01	TUBO DA 1/4, L=1400, FD12L, F9012LHOSE 1/4, L=1400, FD12L, F9012L	1.00000
10	C810275/01	TUBO DA 1/4, L=1400, FD12L, FD12LHOSE 1/4, L=1400, FD12L, FD12L	1.00000



Component list [TAV. 18 M1 5.3 TRANSMISSION HYDRAULIC CYRCUIT]

Pos.	Code	Description	Q.ty
1	C030951	POMPA HST PZ 19CC SERVO SAEA/A DXHYDROSTATIC PUMP	1.00000
2	C030729	TELECOMANDO (SOLO BLOCCO) PER DOPPIO PEDALETWIN PEDAL CONTROL BLOCK W/OUT PEDAL	1.00000
3	C038591	MOTORE ORB. OMSW 315ORBITAL HYDRAULIC MOTOR 315cc	4.00000
4	C036628	FILTRO COMBINATO H300COMBINED FILTER	1.00000



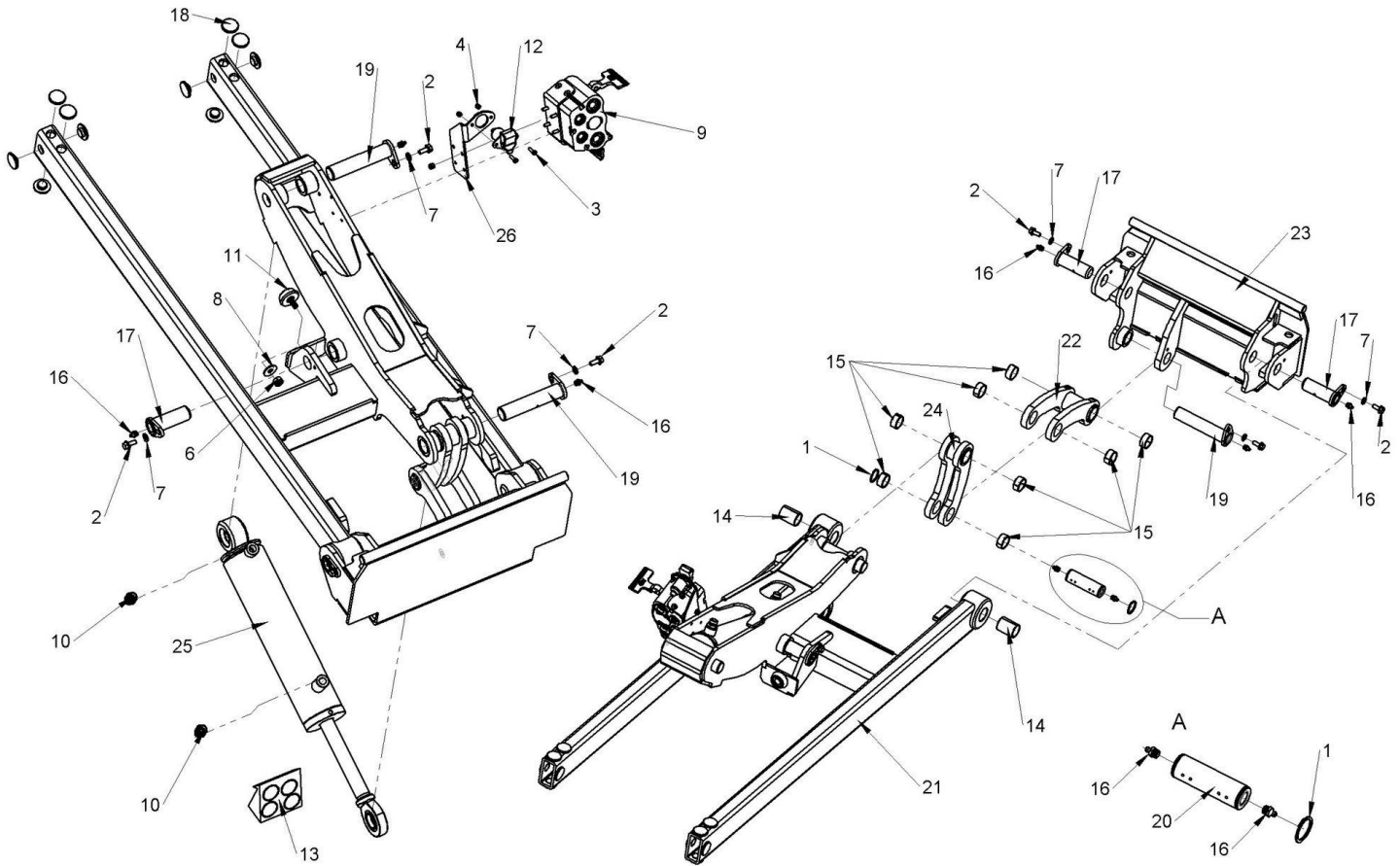
Component list [TAV. 19 M1 4.2-5.2 HYDRAULIC SERVICES DIAGRAM]

Pos.	Code	Description	Q.ty
9	C810359/9	{{>desc}}	1.00000
12	C810359/10	{{>desc}}	1.00000
13	C810359/11	{{>desc}}	1.00000
14	C810359/12	{{>desc}}	1.00000
15	C810359/13	{{>desc}}	1.00000
16	C810359/14	{{>desc}}	1.00000
17	C810359/15	{{>desc}}	1.00000
18	C810359/16	{{>desc}}	1.00000
20	C810359/17	{{>desc}}	1.00000
30	C810359/27	{{>desc}}	1.00000
31	C810359/28	{{>desc}}	1.00000
32	C810359/29	{{>desc}}	2.00000
33	C810359/30	{{>desc}}	1.00000
34	C810359/31	{{>desc}}	2.00000
35	C810359/32	{{>desc}}	1.00000
36	C810359/33	{{>desc}}	1.00000



Draft and part list report
Serial n / code M331834 / C977006
Description MULTIONE 5.2 25 HP 1;GEN

37	C810359/34	{{>desc}}	1.00000
38	C810359/35	{{>desc}}	1.00000
39	C810359/36	{{>desc}}	1.00000



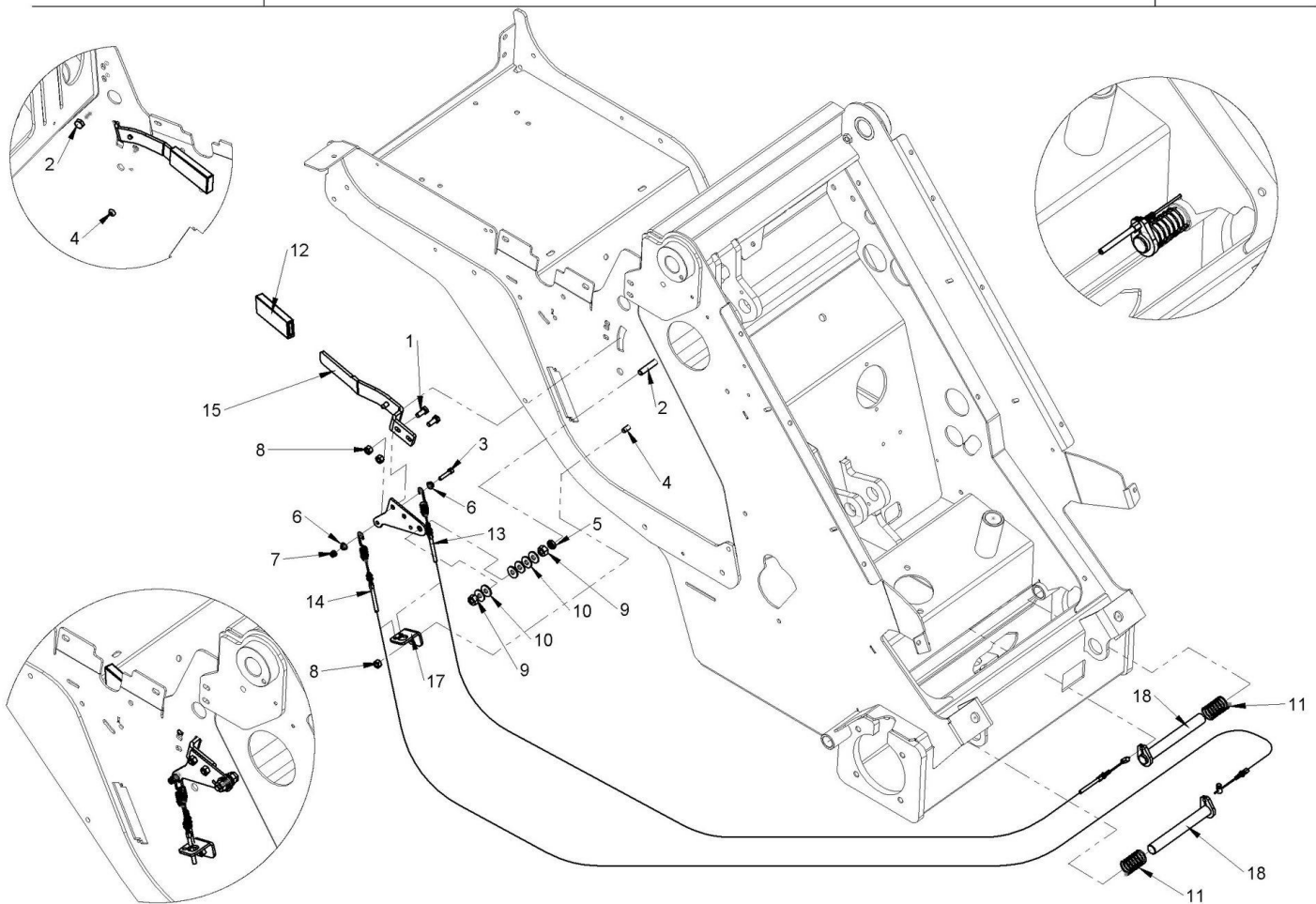
Component list [TAV. 20 M1 5.3 TELESCOPIC BOOM, MOBILE PART]

Pos.	Code	Description	Q.ty
1	C018317	ANELLO SEEGER 30 PER ALBERISEEGER RING 30 FOR SHAFT	2.00000
2	C019202	VITE TEF M8x20 DIN 6921HEXAGON FLANGE BOLT M8X20	6.00000
3	C020287	VITE TBTC M5x20 UNI 7687 DIN 7985RECESSED RAISED CHEESE HEAD SCREW M5x20 UNI 7687 DIN 7985	2.00000
4	C021102	DADO AUTOBLOCCANTE M5 ZN DIN 982PREVAILING TORQUE - TYPE HEXAGON NUT WITH POLYAMIDE RING M5 DIN 982	2.00000
5	C021104	DADO AUTOBLOCCANTE M6 UNI 7473SELF LOCKING NUT M6 UNI 7473	1.00000
6	C021503	DADO AUTOBLOCCANTE M10SELF-LOCKING NUT M10 DIN 982	1.00000
7	C023041	RONDELLA NORD-LOCK M8SPNORD LOCK WASHER M8	6.00000
8	C023104	RONDELLA GREMB M10FLAT WASHER M10	1.00000
9	C030480	PIASTRA FISSA FEMMINA MULTICONNESSIONE 3 VIEHYDRAULIC MULTI COUPLING PLATE, FIX 3 WAY	1.00000
10	C033001	NIPPLES 3/8"GAS / 12LNIPPLES 3/8"G / 12L	2.00000
11	C035078	PIEDINO FINE CORSARUBBER END	1.00000
12	FF180/25.036.100	PRESA CORRENTE SOCKETS	1.00000
13		KIT GUARNIZIONI PER CILINDRO 75- 30SEALS KIT FOR CYLINDER 50- 30	1.00000
14	C037608	BOCCOLA A STRISCIAMENTO BUSHINGS	2.00000



Draft and part list report
Serial n / code M331834 / C977006
Description MULTIONE 5.2 25 HP 1;GEN

15	C037610	BOCCOLA A STRISCIAMENTO IN METALLO INTEGRALE 30x34x15BUSHINGS	8.00000
16	C090030	INGRASSATORE DRITTO M10x1GREASER M10X1 UNI 7663A	8.00000
17	C230849	SPINA 30x84 CFCIFLANGED PIN 30x84	3.00000
18	C261014/L	PLACCHE DI GUIDAGUIDE	10.00000
19	C271577	SPINA 30X140PIN	3.00000
20	C271594	SPINA LEVERISMO GIROPIASTRAPIN	1.00000
21	C279600	SFILO BRACCIO TELESCOPICOMALE PART OF TELESCOPIC BOOM	1.00000
22	C279604	ASSIEME TIRANTE GIRO PIASTRALARGE LEVER TOOLPLATE SPIN	1.00000
23	C279610	PIASTRA AGGANCIO UTENSILI -2013-LOCKING PLATE TOOL	1.00000
24	C279616	ASSIEME TIRANTE GIROPIASTRA STRETTOTIGHT LEVER TOOLPLATE SPIN	1.00000
25	C279621	CILINDRO GIROPIASTRALOCKING PLATE TOOL SPIN CYLINDER	1.00000
26	C279628	SUPP. PRESA ELETTRICASOCKET SUPPORT	1.00000



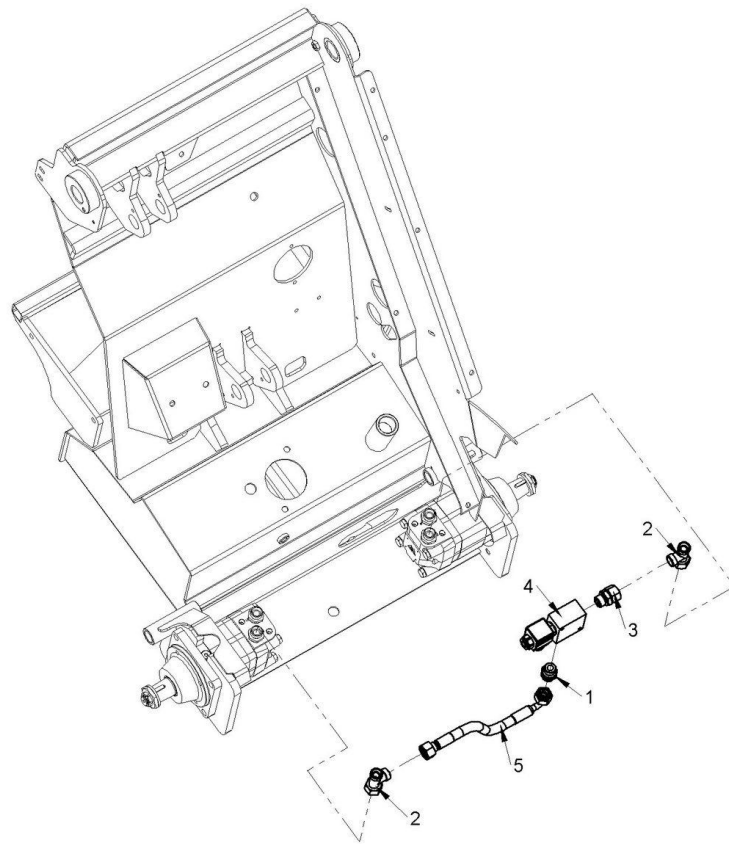
Component list [TAV. 21 M1 5.3 HAND BRAKE]

Pos.	Code	Description	Q.ty
1	C020072	VITE TE M8x20 ISO 4017SCREW M8x20 ISO 4017	2.00000
2	C020105	VITE TE 8.8 M10x50 UNI ISO 4017SCREW M10x50 UNI 5739	1.00000
3	C020213	VITE TCCEI M6x30 DIN 912SCREW M6x30 DIN 912	1.00000
4	C020541	VITE TBEI M8x20 UNI/ISO 7380HEXAGON SOCKET OVAL HEAD SCREW M8x20 ISO 7380	1.00000
5	C021013	DADO M10 BASSO ISO 4035HEXAGON NUT M10 UNI 5589	1.00000
6	C021018	DADO SERPRESS M6SERPRESS NUT M6	2.00000
7	C021104	DADO AUTOBLOCCANTE M6 UNI 7473SELF LOCKING NUT M6 UNI 7473	1.00000
8	C021502	DADO AUTOFRENANTE M8 DIN980SELF BREAKING M8 NUT DIN980	3.00000
9	C021503	DADO AUTOFRENANTE M10 ZG DIN980SELF-LOCKING HEXAGONAL NUT M10 ZN DIN980	2.00000
10	C023100	RONDELLA GREMB M8 DIN 9021PLAIN WASHER LARGE SERIES M8 DIN 9021	6.00000
11	C029521	MOLLA FRENISPRING	2.00000
12	C035020	MANIGLIA PER LEVA FRENOBRAKE LEVER HANDLE	1.00000
13	C038706	FILO FRENO SXLEFT BRAKE WIRE	1.00000
14	C038707	FILO FRENO DXRIGHT BRAKE WIRE	1.00000
15	C272054	ASSIEME LEVA FRENO INTERNABRAKE LEVER	1.00000



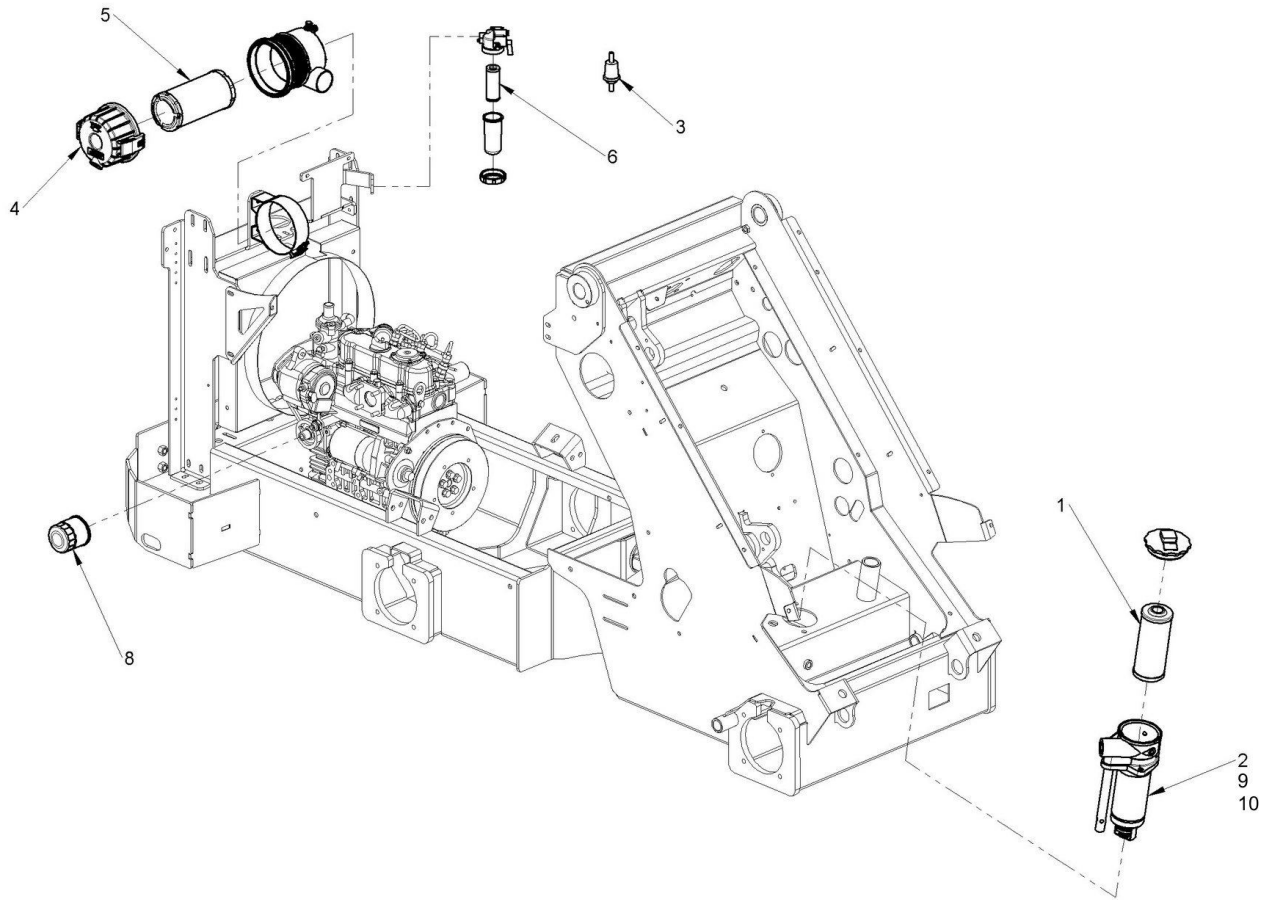
Draft and part list report
Serial n / code M331834 / C977006
Description MULTIONE 5.2 25 HP 1;GEN

16	C272057	FULCRO PER LEVA FRENOEXTERNAL PLATE FOR LEVER BRAKE	1.00000
17	C277287	STAFFA FISSAGGIO SUP. GUAINA FRENOWIRE BRAKE SUPPORT	1.00000
18	C277313	PERNO PER FRENO DI STAZIONAMENTO PIN BRAKE	2.00000



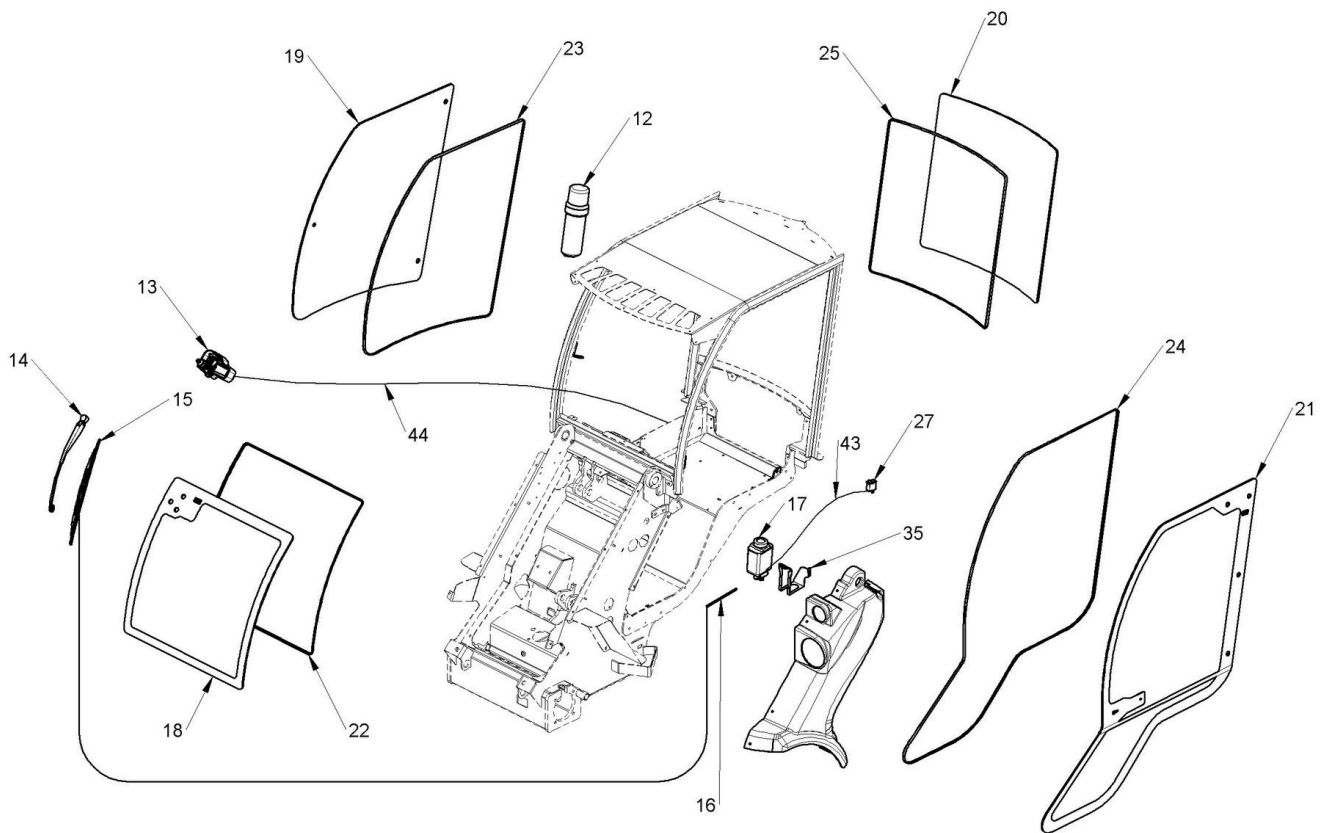
Component list [TAV. 22 M1 5.3 DYNAMIC BLOCK SYSTEM]

Pos.	Code	Description	Q.ty
1	C033003	NIPPLES 1/2"GAS / 15LNIPPLES 1/2" GAS / 15L	1.00000
2	C033035	RACCORDO A T M-M-F 15LTEES M-M-F 15L	2.00000
3	C033057	GIUNZIONE DIRITTA M 1/2G FG 15LMALE 1/2G FEMALE 15L CONNECTOR	1.00000
4	C036622	ELETTRIVALVOLA 2 VIE DOPPIA TENUTA 1/2" BOBINA 12V1/2G ELECTROVALVE 12V COIL	1.00000
5	C810344/01	{{>desc}}	1.00000



Component list [TAV. 29 5.2 FILTERS]

Pos.	Code	Description	Q.ty
1	C036627	CARTRIDGE HYDRAULIC OIL FILTER FOR S500/S600/SL840P/SL800 2; GEN	1.00000
2	C036628	FILTER ASSY FOR SL800P/S500/600 2; GEN	1.00000
3	C036640	IN LINE FUEL FILTER	1.00000
4	C039054	4''' AIR FILTER BODY	1.00000
5	C039058	4''' AIR FILTER ELEMENT	1.00000
6	C039127	FUEL CARTIRIDGE CARTRIDGE FOR KUBOTA D722/902	1.00000
8	C039155	KUBOTA d722/d902 ENGINE OIL FILTER	1.00000
9	C036646	HANDLE FOR FILTER CARTRIDGE	1.00000
10	C036647	Ø65 O-RING SEAL FOR FILTER HANDLE CUP	1.00000



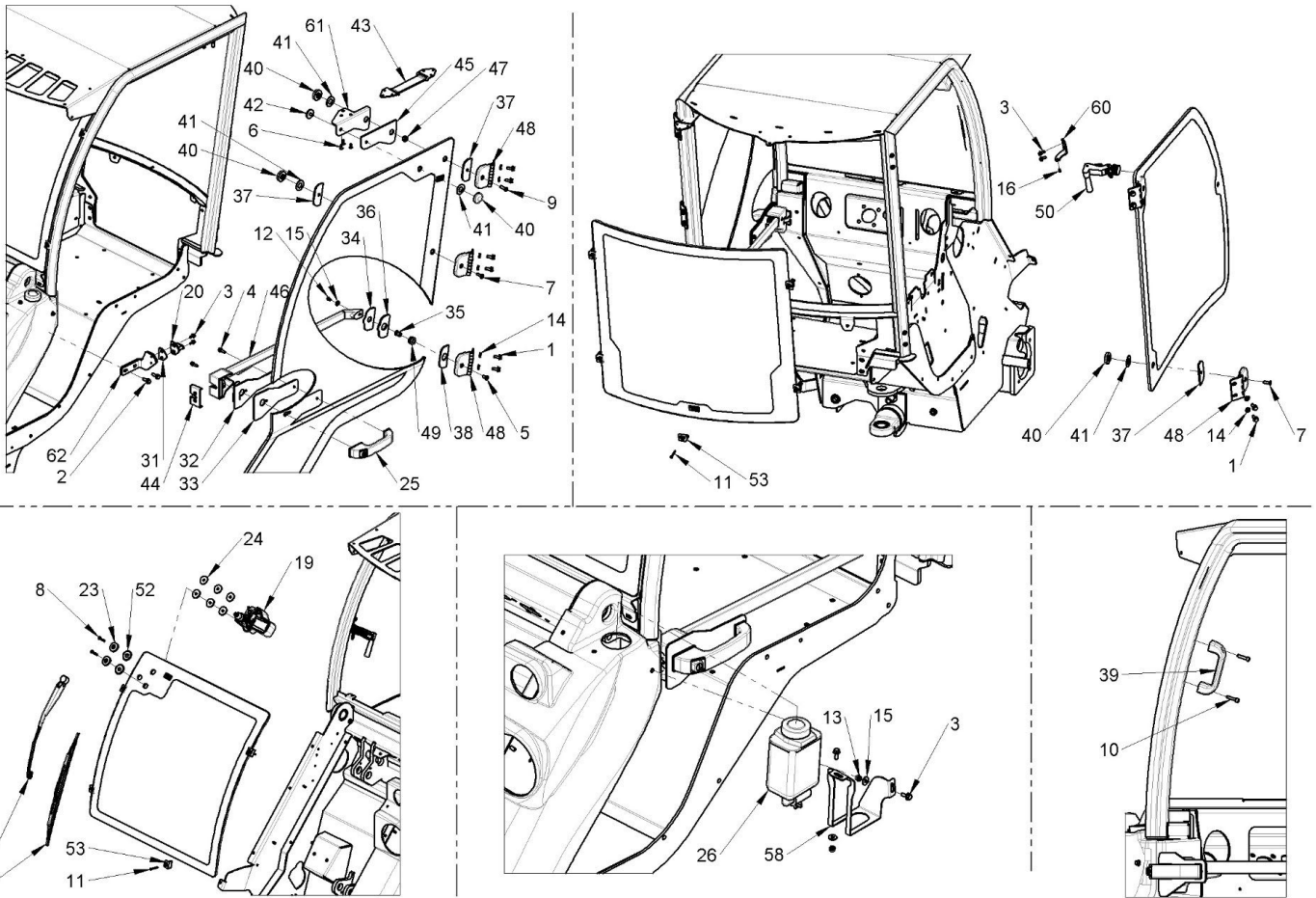
Component list [TAV. 31 GLASS CABIN]

Pos.	Code	Description	Q.ty
1	C019203	HEXAGON FLANGE BOLT M8X25 ISO 1665	2.00000
2	C020145	HEXAGON SOCKET OVAL HEAD SCREW M6x16 ISO 7380	3.00000
3	C020156	HEXAGON SOCKET COUNTERSUNK HEAD CAP SCREW M6x16 UNI 5933	2.00000
4	C020163	SCREW TSPEI 10.9 M8x35 ZN UNI5933	2.00000
5	C020212	HEXAGON SOCKET HEAD CAP SCREW M6x25 ZB UNI EN ISO 4762	2.00000
6	C020272	SCREW TSPEI 10.9 M4x40 ZN UNI 5933	10.00000
7	C020548	HEXAGON SOCKET OVAL HEAD SCREW M6x20 ZN UNI/ISO 7380	2.00000
8	C023090	FLAT WASHER M6 6.4x12x1.6 UNI 6592	1.00000
9	C023110	PLAIN WASHER LARGE SERIES M6 6.5X18X1.5 DIN9021	4.00000
10	C028270	THREAD INSERT M8	2.00000
11	C028271	THREAD INSERT M6	3.00000
12	C030810	MANUAL HOLDER	1.00000
13	C034022	WINDSCREEN WIPER ENGINE ITG 12V 90 ^o FOR CABIN	1.00000
14	C034028	WIPER ARM FOR CABIN SL800/900	1.00000
15	C034029	WIPER BRUSH FOR CABIN 500->900	1.00000
16	C034082	GLASS WASHER PIPE TRANSPARENT 4X7	1.00000



Draft and part list report
Serial n / code M331834 / C977006
Description MULTIONE 5.2 25 HP 1;GEN

17	C034170	WIND SCREEN WASHER WATER TANK	1.00000
18	C034192	FRONT GLASS M1 4-5 SERIES	1.00000
19	C034193	RIGHT GLASS CABIN 4-5 SERIES	1.00000
20	C034194	REAR WINDOW GLASS CABIN M1 5 SERIE	1.00000
21	C034195	DOOR GLASS CABIN WITH SEAL 4-5 SERIES	1.00000
22	C035015	SNAP SEAL FOR WINDOWS	2.30000
23	C035015	SNAP SEAL FOR WINDOWS	3.33000
24	C035015	SNAP SEAL FOR WINDOWS	4.44000
25	C035015	SNAP SEAL FOR WINDOWS	3.00000
26	C035043	PLASTIC END CUP DIA 76	2.00000
27	C036161	WINDSCREEN WASHER SWITCH	1.00000
28	C041282	FRONT DASHBOARD	1.00000
29	C041407	FRONT LEFT ROAD LIGHT MUDGUARD (DIRECTION ARROW=WORK LIGHT)	1.00000
30	C277275	FRONT RIGHT MUDGUARD FOR S600	1.00000
31	C277275	FRONT RIGHT MUDGUARD FOR S600	1.00000
32	C277293	FOOT-BOARD S600	1.00000
33	C277315	S600 FRONT DASHBOARD HOLDER	1.00000
34	C277687	FIANCO DX SUPPORTO DISTRIBUTORI S500-S600 REV.05	1.00000
35	C277808	WATER TANK HOLDER	1.00000
36	C279700	FRONT FRAME S500-S600 3RD GENERATION	1.00000
37	C282246	STAFFA SUPPORTO SCONTRIO SERRATURA	1.00000
38	C282324	JERKY COMPASS BRACKET	1.00000
39	C284325	{{>desc}}	1.00000
40	C284350	{{>desc}}	1.00000
41	C284365	SEAT SUPPORT	1.00000
42	C284368	ADDICTET BRACKET FOR SAFETY BELT	1.00000
43	C038031	WATER PUMP WIRING FOR WIPER M1	1.00000
44	C038093	WIPER WIRING	1.00000



Component list [TAV. 32 CABIN DETAILS]

Pos.	Code	Description	Q.ty
1	C019202	HEXAGON FLANGE BOLT M8X20 DIN 6921	10.00000
2	C019203	HEXAGON FLANGE BOLT M8X25 ISO 1665	2.00000
3	C019211	M6x16 BOLT UNI 1665	6.00000
4	C019213	M6x25 BOLT UNI 1665	2.00000
5	C020155	M8X20 SCREW UNI5933	1.00000
6	C020156	HEXAGON SOCKET COUNTERSUNK HEAD CAP SCREW M6x16 UNI 5933	5.00000
7	C020159	SCREW TSPEI 10.9 M8x25 ZB UNI5933	3.00000
8	C020168	SCREW TSPEI 10.9 M6x40 ZN UNI5933	2.00000
9	C020169	HEXAGON SOCKET COUNTERSUNK HEAD CAP SCREW 10.9 M8x30 ZN UNI5933	1.00000
10	C020212	HEXAGON SOCKET HEAD CAP SCREW M6X25 ZB UNI EN ISO 4762	2.00000
11	C020272	SCREW TSPEI 10.9 M4x40 ZN UNI 5933	10.00000
12	C020542	HEXAGON SOCKET OVAL HEAD SCREW M6x12 ZN ISO 7380	1.00000
13	C021104	PREVAILING TORQUE-TYPE HEXAGONAL NUTS WITH POLYAMIDE RING M6 UNI 7473	2.00000
14	C023041	NORD LOCK WASHER M8	10.00000
15	C023110	PLAIN WASHER LARGE SERIES M6 6.5X18X1.5 DIN9021	5.00000
16	C028266	SPRING PIN 5X16	1.00000



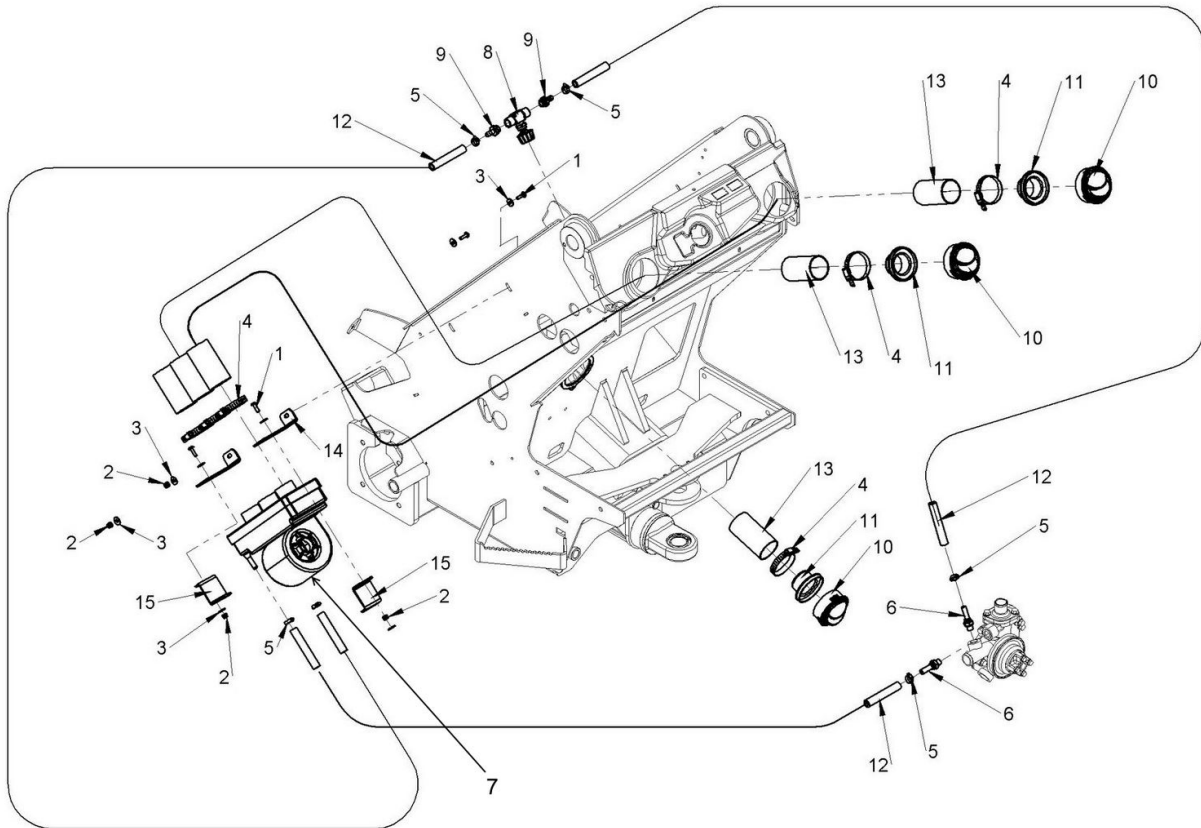
Draft and part list report
Serial n / code M331834 / C977006
Description MULTIONE 5.2 25 HP 1^o GEN

17	C028270	THREAD INSERT M8	12.00000
18	C028271	THREAD INSERT M6	5.00000
19	C034022	WINDSCREEN WIPER ENGINE ITG 12V 90 ^o FOR CABIN	1.00000
20	C034023	CABIN DOOR HOLD LATCH	1.00000
21	C034028	WIPER ARM FOR CABIN SL800/900	1.00000
22	C034029	WIPER BRUSH FOR CABIN 500->900	1.00000
23	C034070	PLASTIC STUD FOR GLASS CABIN	2.00000
24	C034072	RUBBER WASHER FOR GLASS CABIN	6.00000
25	C034078	DOOR OUTER LOCK FOR	1.00000
26	C034170	WIND SCREEN WASHER WATER TANK	1.00000
27	C034192	FRONT GLASS M1 4-5 SERIES	1.00000
28	C034193	RIGHT GLASS CABIN 4-5 SERIES	1.00000
29	C034194	REAR WINDOW GLASS CABIN M1 5 SERIE	1.00000
30	C034195	DOOR GLASS CABIN WITH SEAL 4-5 SERIES	1.00000
31	C034501	UNDER HOLD LATCH PLASTIC	1.00000
32	C034503	LOCK HOLDER PLATE	1.00000
33	C034504	INNER DOOR HANDLE SEAL	1.00000
34	C034505	SHAPE BAR LOCK HOLDER PLATE	1.00000
35	C034506	KNURLED BUSH	1.00000
36	C034507	REAR BAR RUBBER	1.00000
37	C034508	SMALL HOLE HINGE RUBBER	4.00000
38	C034509	BIG HOLE HINGE RUBBER	1.00000
39	C034510	GRAB HANDLE	1.00000
40	C034516	INNER STUD CABIN	5.00000
41	C034517	Ø40-Ø20-1,5 SEAL	5.00000
42	C034522	STUD WITH M8X13 PIN	1.00000
43	C034523	{{>desc}}	1.00000
44	C034524	{{>desc}}	1.00000
45	C034525	INNER BELT SEAL	1.00000
46	C034528	LOCK BAR SHAPE	1.00000
47	C034529	{{>desc}}	1.00000
48	C034530	HINGE	5.00000
49	C035038	RUBBER TOP FOR CABIN GLASSES	1.00000
50	C035041	JERKY COMPASS OPENING FOR CABIN	1.00000
51	C041407	FRONT LEFT ROAD LIGHT MUDGUARD (DIRECTION ARROW=WORK LIGHT)	1.00000
52	C274255	GLASS SEAL FOR CABIN	2.00000
53	C274258	GLASS HOLDER FOR CABIN	10.00000
54	C277275	FRONT RIGHT MUDGUARD FOR S600	1.00000
55	C277293	FOOT-BOARD S600	1.00000
56	C277315	S600 FRONT DASHBOARD HOLDER	1.00000
57	C277687	FIANCO DX SUPPORTO DISTRIBUTORI S500-S600 REV.05	1.00000
58	C277808	WATER TANK HOLDER	1.00000
59	C279700	FRONT FRAME S500-S600 3RD GENERATION	1.00000
60	C282324	JERKY COMPASS BRACKET	1.00000
61	C284324	{{>desc}}	1.00000
62	C284325	{{>desc}}	1.00000



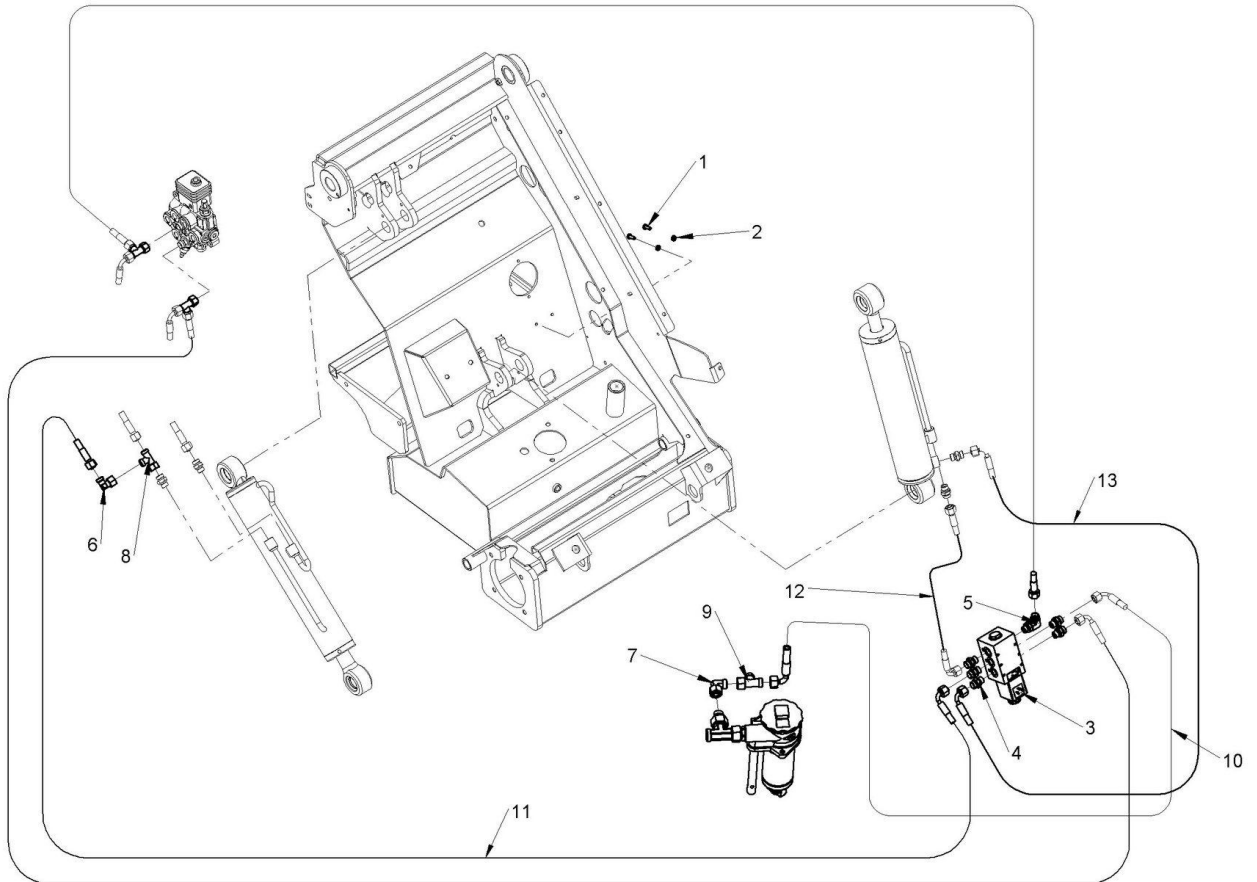
Draft and part list report
Serial n / code M331834 / C977006
Description MULTIONE 5.2 25 HP 1;GEN

63	C284350	{{>desc}}	1.00000
64	C284365	SEAT SUPPORT	1.00000



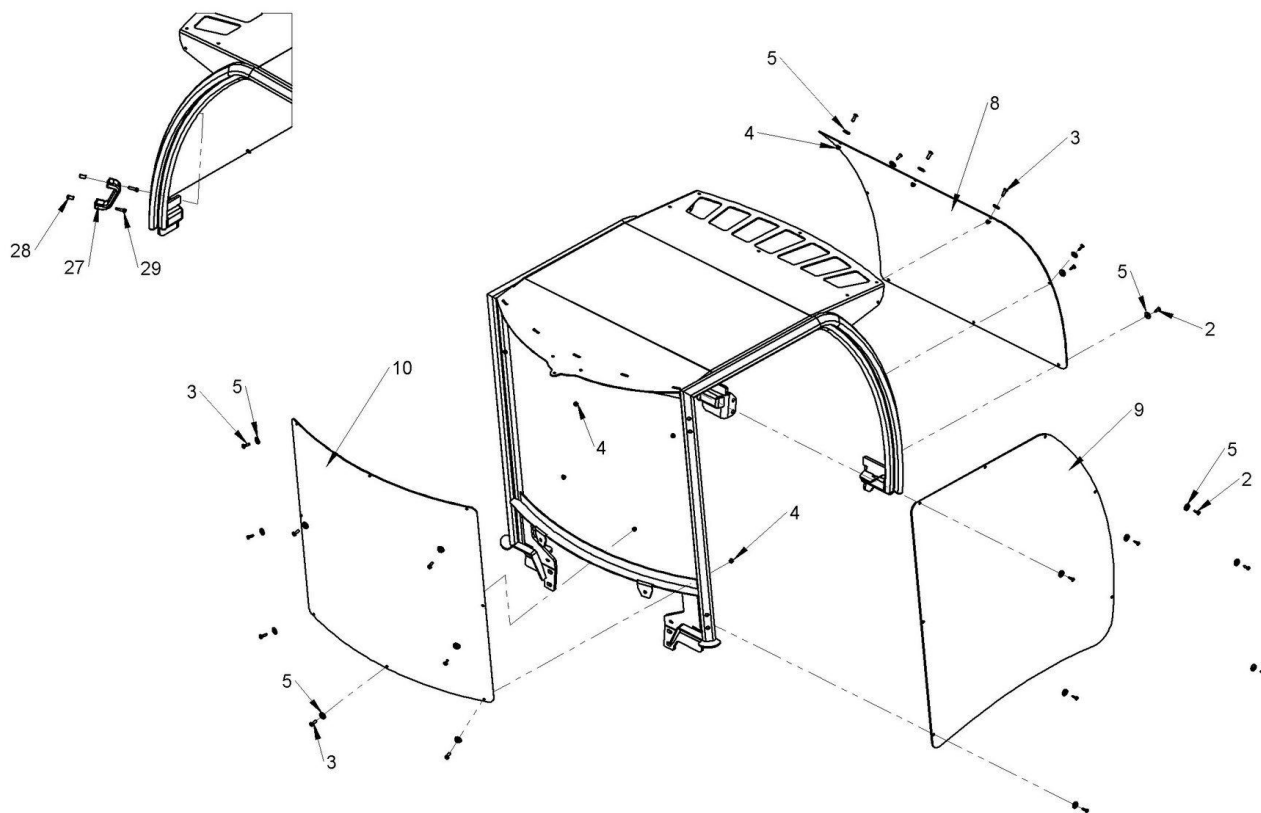
Component list [TAV. 33 M1 5.3 HEATING]

Pos.	Code	Description	Q.ty
1	C020548	VITE TBEI M6x20 UNI/ISO 7380HEXAGON SOCKET OVAL HEAD SCREW M6x20 ZN UNI/ISO 7380	4.00000
2	C021104	DADO AUTOBLOCCANTE M6 UNI 7473PREVAILING TORQUE-TYPE HEXAGONAL NUTS WITH POLYAMIDE RING M6 UNI 7473	4.00000
3	C023110	RONDELLA GREMB M6 DIN 9021PLAIN WASHER LARGE SERIES M6 6.5X18X1.5 DIN9021	8.00000
4	C029031	FASCETTA MEB 12 INOX 40-60STEEL BAND	6.00000
5	C029038	FASCETTA 9 INOX 10-17STEEL BAND	6.00000
6	C033304	PORTAGOMMA DRITTO 1/4" PER TUBO 10 O 3/8"HOSE FITTING 1/4G - 10mm	2.00000
7	C034004	GRUPPO RISCALDATOREHEATER	1.00000
8	C034005	RUBINETTOHEATING TAP	1.00000
9	C034006	PORTAGOMMA DRITTO 3/8 G 10STRAIGHT FITTING DIA. 10 MM - 3/8"	2.00000
10	C034008	BOCCHETTE DI VENTILAZIONEVENTS	3.00000
11	C034009	RIDUZIONE BOCCHETTEREDUCTION JETS	3.00000
12	C035034	TUBO PER ACQUA CALDAHOT WATER PIPE	3.00000
13	C035036	TUBO RISCALDAMENTOPIPE HEATING	3.00000
14	C272051	STAFFA DI FISSAGGIO RISCALDATORESUPPORT	2.00000
15	C272052	STAFFA SUPPORTO RISCALDATOREHEATER FAN SUPPORT	2.00000



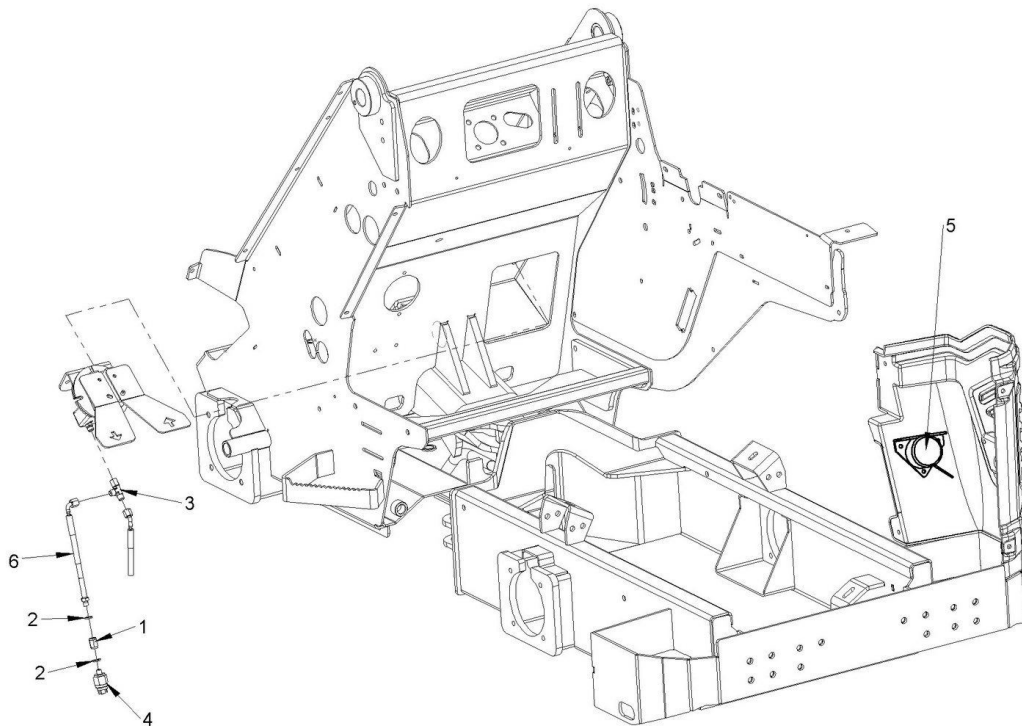
Component list [TAV. 35 M1 5.3 FLOATING BOOM]

Pos.	Code	Description	Q.ty
1	C020548	VITE TBEI M6x20 UNI/ISO 7380HEXAGON SOCKET OVAL HEAD SCREW M6x20 ZN UNI/ISO 7380	2.00000
2	C023090	RONDELLA PIANA M6 UNI 6592FLAT WASHER M6 6.4x12x1.6 UNI 6592	2.00000
3	C030580	VALVOLA PER BRACCIO FLOTTANTEFREE-FLOATING BOOM VALVE	1.00000
4	C033001	NIPPLES 3/8" GAS / 12LNIPPLES 3/8" G / 12L	5.00000
5	C033021	RACCORDO A 90 M3/8" G ORIENT. / M 12LREVOLVING CONNECTION AT 90 3/8" ORIENT./12L	1.00000
6	C033024	RACCORDO 90 F12L ORIENT. / M12LCURVE 90	1.00000
7	C033025	RACCORDO 90 F15L ORIENT./M15LCONNECTION AT 90	1.00000
8	C033032	RACCORDO A T F-M-M 12LT-CONNECTION F-M-M 12L	1.00000
9	C033035	RACCORDO A T M-M-F 15LTEES M-M-F 15L	1.00000



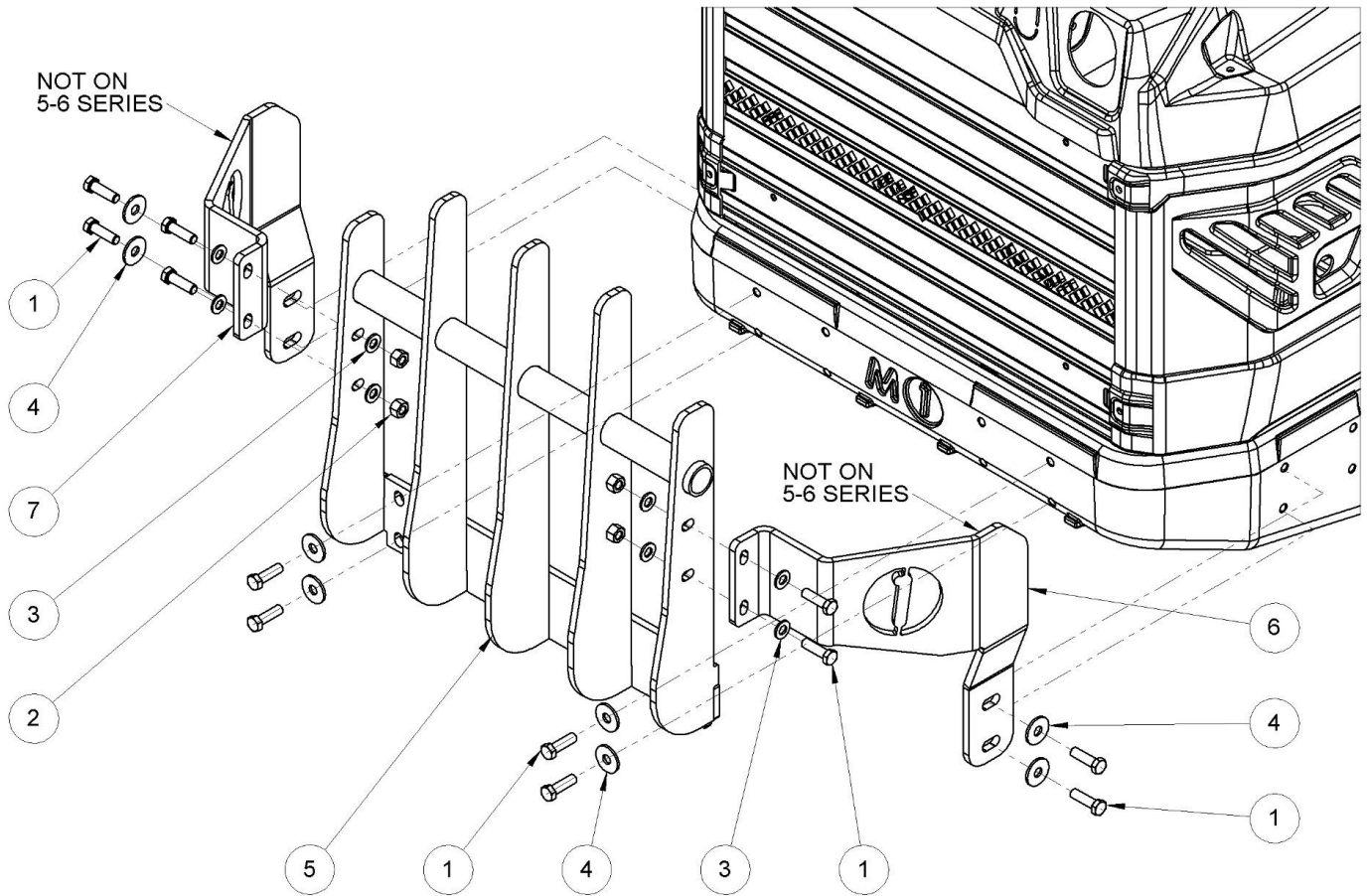
Component list [TAV. 39 M1 5.3 PEGLI GLAS SMART CABIN]

Pos.	Code	Description	Q.ty
1	C020212	VITE TCCEI M6X25 ZB UNI EN ISO 4762SCREW M6x25	2.00000
2	C020300	VITE AUTOFILETTANTE 4,8x19SELF TAPPING SCREW	14.00000
3	C020548	VITE TBEI M6x20 UNI/ISO 7380HEXAGON SOCKET OVAL HEAD SCREW M6x20 ZN UNI/ISO 7380	9.00000
4	C021082	DADO M6 CIECOBLIND NUT M6	9.00000
5	C023300 M6	RONDELLA SVASATA PER M6CONIC WASHER M6	23.00000
6	C028271	RIVETTO FILETTATO TONDO M6STUMP WITH THREAD M6	2.00000
7	C034510	MANIGLIA APPIGLIO UNIVERSALEGRAB HANDLE	1.00000
8	C041544	PARABREZZA IN PLEXIGLASSPLEXIGLASS WINDSCREEN	1.00000
9	C041545	VETRO LATO DXRIGHT SIDE PLEXIGLASS	1.00000
10	C041546	PLEXIGLASS POSTERIOREPLEXIGLASS REAR WINDOW	1.00000
11	C284350	STRUTTURA ROLL-BAR CABINAROLL-BAR	1.00000



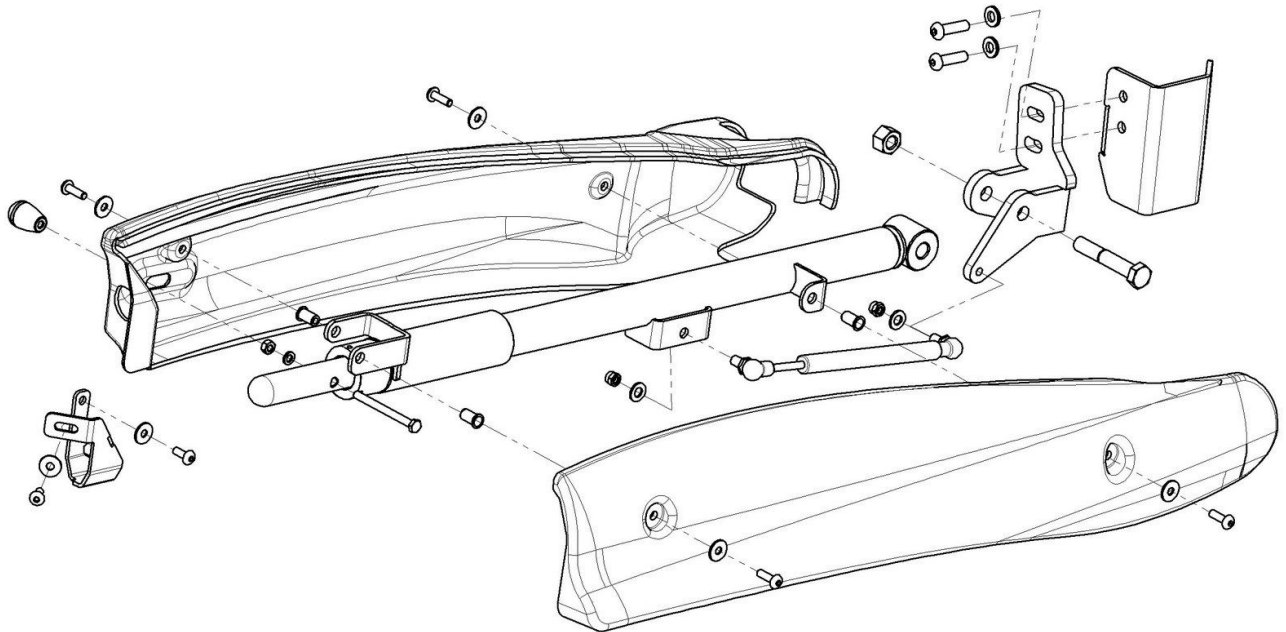
Component list [TAV. 40 M1 5.3 REVERSE ALLARM]

Pos.	Code	Description	Q.ty
1	C030361	GIUNZIONE DIRITTA F1/8 GAS F1/8 GASCONNECTOR F1/8G - F1/8G	1.00000
2	C030549	RONDELLA BONDED 1/8"GASWASHER 1/8" GAS	2.00000
3	C033033	RACCORDO A T F-M-M 6LT-CONNECTION F-M-M 6L	1.00000
4	C036653	PRESSOSTATO 1/8 GASPRESSURE SWITCH 1/8GAS	1.00000
5	FF180/31.0031.0000	CICALINO BACK UP ALARMBUZZER	1.00000
6	C810402/01	{{>desc}}	1.00000



Component list [TAV. 49 M1 5-8, M1 6SD-8SD REAR BUMPER]

Pos.	Code	Description	Q.ty
1	C020139	HEXAGON HEAD SCREW M12x40 UNI 4017	12.00000
2	C021504	SELF BRAKING NUT M12 DIN 980	4.00000
3	C023102	PLAIN WASHER M12 UNI 6592	8.00000
4	C023105	WASHER FOR M12 13x37x3 DIN9021 UNI6593	8.00000
5	C282835	REAR BULLBAR M1 7-8	1.00000
6	C284467	RIGHT REAR BULLBAR BRACKET	1.00000
7	C284468	LEFT REAR BULLBAR BRACKET	1.00000



Component list [TAV. 50 SAFETY SIDE ARM]

Pos.	Code	Description	Q.ty
1	C020059	{{>desc}}	1.00000
2	C020145	HEXAGON SOCKET OVAL HEAD SCREW M6x16 ISO 7380	2.00000
3	C020352	M12x70 UNI ISO 4017 SCREW	1.00000
4	C020544	SCREW TBEI M8x30 ZN UNI/ISO 7380	2.00000
5	C020548	HEXAGON SOCKET OVAL HEAD SCREW M6x20 ZN UNI/ISO 7380	4.00000
6	C021022	HEXAGON NUT M6 UNI 5588	1.00000
7	C021104	PREVAILING TORQUE-TYPE HEXAGONAL NUTS WITH POLYAMIDE RING M6 UNI 7473	2.00000
8	C021504	SELF BRAKING NUT M12 DIN 980	1.00000
9	C023040	M6 NORD LOCK WASHER	1.00000
10	C023041	NORD LOCK WASHER M8	2.00000
11	C023071	PLAIN WASHER M8 8.4x16x1.6 UNI6592	2.00000
12	C023110	PLAIN WASHER LARGE SERIES M6 6.5X18X1.5 DIN9021	6.00000
13	C028025	CONICAL BALL KNOBS WITH M6 NUT	1.00000
14	C028271	THREAD INSERT M6	3.00000
15	C029509	AIR COMPRESSED SPRING 150N 120 mm	1.00000
16	C041174	EXTERNAL HOOD FOR SAFETY PROTECTION FOR SL800 BLUE	1.00000



Draft and part list report
Serial n / code M331834 / C977006
Description MULTIONE 5.2 25 HP 1;GEN

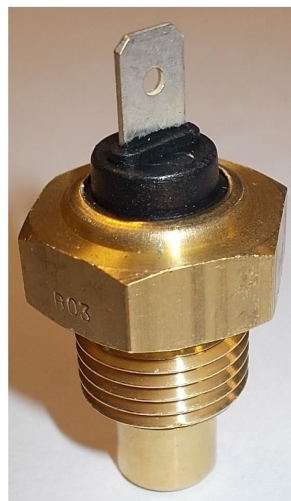
17	C041175	INTERNAL HOOD FOR SAFETY PROTECTION FOR SL800 GRAY	1.00000
18	C090032	GREASER M6x1 UNI 7663A	1.00000
19	C274270	S500-S600 PROTECTION BAR SUPPORT	1.00000
20	C274281	SECURITY ARM HINGE	1.00000
21	C279408	SECURITY ARM CENTRAL BODY	1.00000
22	C279409	LATCH SECURITY ARM	1.00000

PER STRUMENTO ANALOGICO
 FOR ANALOG DECK



1

PER STRUMENTO LCD
 FOR LCD DECK



2

Component list [TAV. 57 WATER TEMP SENSOR]

Pos.	Code	Description	Q.ty
1	FF180/U2M02A003	WATER TEMPERATURE SENSOR, ANALOG DECK	1.00000
2	FF180/U2M02A011	WATER TEMPERATURE SENSOR, LCD DECK	1.00000
3	FF163/121250-44901	WATER TEMPERATURE SENSOR - BUZZER ALARM	1.00000

TASTI ED INTERRUTTORI / BUTTON AND SWITCHES

TAV. 60



Component list [TAV. 60 SWITCHES]

Pos.	Code	Description	Q.ty
1	C036153	HORN SWITCH	1.00000
2	C036154	WORK LIGHT SWITCH	1.00000
3	C036155	FRONT ELECTRIC PLUG SWITCH	1.00000
4	C036156	HAND BRAKE SWITCH	1.00000
5	C036157	DIFFERENTIAL LOCK SWITCH	1.00000
6	C036158	SLOW/FAST GEAR SWITCH	1.00000
7	C036159	ADDITIONAL WORK LIGHT SWITCH	1.00000
8	C036160	SWITCH FAN	1.00000
9	C036161	WINDSCREEN WASHER SWITCH	1.00000
10	C036162	FLASHING BEACON SWITCH	1.00000
11	C036163	HEATED SEAT SWITCH	1.00000
12	C036164	FLOATING BOOM SWITCH	1.00000
13	C036165	REAR OUTLET SWITCH	1.00000
14	C036166	ROAD LIGHT SWITCH	1.00000
15	C036167	AUTOMATIC LOCKING COUPLING PLATE SWITCH	1.00000



Draft and part list report
Serial n / code M331834 / C977006
Description MULTIONE 5.2 25 HP 1;GEN

16	C036168	HAZARD LIGHTS SWITCH	1.00000
17	C036169	BLINKER LIGHT SWITCH	1.00000
18	FF180/17.153.000	HORN BUTTON	1.00000
19	FF180/106616	HAZARD LIGHT BUTTON	1.00000
20	C036170	BEACON LIGHT BUTTON	1.00000
21	FF180/30.34.08956	LEVER SWITCH ON-OFF WITH RUBBER	1.00000
22	FF180/30.34.10306	LEVER SWITCH ON-OFF-ON WITH RUBBER	1.00000
23	C036171	TORQUE DIVIDER SWITCH	1.00000
24	C036172	ROADLIGHT AND TURN SIGNAL INDICATOR	1.00000

CODE	DESCRIZIONE	DESCRIPTION	NOTE
C042200	DECALCOMANIA GENERALE MACCHINE	GENERAL DECALS FOR MULTIONE	USED ON ALL MACHINES
C042202	DECALCOMANIA GENERALE PITTOGRAMMI MACCHINE	GENERAL SAFETY DECALS FOR MULTIONE	USED ON ALL MACHINES
C042111	DECAL LWA 98 DB	DECAL LWA 98 DB	USED ON: 4.2, 5.2, 6.3 SERIES, 7.2 7.3 SERIES, 6.3SD, 7.3SD, 8.4SD
C042110	DECAL LWA 99 DB	DECAL LWA 99 DB	USED ON: 5.3, 8.4 SERIES
C042109	DECAL LWA 100 DB	DECAL LWA 100 DB	USED ON: 1.1, 2.3, 9.5, 9.6, 10.9, 9.5SD
C042112	DECAL LWA 101 DB	DECAL LWA 101 DB	USED ON: 10.8
C042114	DECAL LPA 82 DB	DECAL LPA 82 DB	USED ON: 7.3 SERIES, 7.3SD
C042116	DECAL LPA 84 DB	DECAL LPA 84 DB	USED ON: 7.2, 6.3 SERIES, 6.3SD
C042117	DECAL LPA 85 DB	DECAL LPA 85 DB	USED ON: 1.1, 2.3, 4.2, 5.2, 8.4 SERIES, 10.8, 10.9, 8.4SD
C042102	DECAL LPA 86 DB	DECAL LPA 86 DB	USED ON: 9.5, 9.6, 9.5SD
C042100	DECAL LPA 87 DB	DECAL LPA 87 DB	USED ON: 5.3
C042437	DIAGRAMMA DI CARICO SERIE 2	M1 2 SERIES LOAD DIAGRAM	
C042443	DIAGRAMMA DI CARICO SERIE 4 - 5	M1 4 - 5 SERIES LOAD DIAGRAM	
C042429	DIAGRAMMA DI CARICO SERIE 6	M1 6 SERIES LOAD DIAGRAM	
C042430	DIAGRAMMA DI CARICO SERIE 7 - 8	M1 7 - 8 SERIES LOAD DIAGRAM	
C042431	DIAGRAMMA DI CARICO SERIE 9	M1 9 SERIES LOAD DIAGRAM	
C042432	DIAGRAMMA DI CARICO SERIE 10	M1 10 SERIES LOAD DIAGRAM	
C042440	DIAGRAMMA DI CARICO 6SD	M1 6SD LOAD DIAGRAM	
C042439	DIAGRAMMA DI CARICO 7SD - 8SD	M1 7SD - 8SD LOAD DIAGRAM	
C042438	DIAGRAMMA DI CARICO 9SD	M1 9SD LOAD DIAGRAM	
C042175	DECALCOMANIE M1 1.1	M1 1.1 DECAL	
C042436	DECALCOMANIE M1 2.3	M1 2.3 DECAL	
C042190	DECALCOMANIE M1 4.2	M1 4.2 DECAL	
C042189	DECALCOMANIE M1 5.2	M1 5.2 DECAL	
C042188	DECALCOMANIE M1 5.3	M1 5.3 DECAL	
C042412	DECALCOMANIE M1 6.3	M1 6.3 DECAL	
C042434	DECALCOMANIE M1 6.3+	M1 6.3+ DECAL	
C042413	DECALCOMANIE M1 6.3S	M1 6.3S DECAL	
C042433	DECALCOMANIE M1 7.2	M1 7.2 DECAL	
C042414	DECALCOMANIE M1 7.3	M1 7.3 DECAL	
C042415	DECALCOMANIE M1 7.3+	M1 7.3+ DECAL	
C042416	DECALCOMANIE M1 7.3S	M1 7.3S DECAL	
C042417	DECALCOMANIE M1 8.4	M1 8.4 DECAL	
C042427	DECALCOMANIE M1 8.4+	M1 8.4+ DECAL	
C042418	DECALCOMANIE M1 8.4S	M1 8.4S DECAL	
C042420	DECALCOMANIE M1 8.5	M1 8.5 DECAL	
C042442	DECALCOMANIE M1 8.5S	M1 8.5S DECAL	
C042421	DECALCOMANIE M1 9.5	M1 9.5 DECAL	
C042424	DECALCOMANIE M1 9.6	M1 9.6 DECAL	
C042425	DECALCOMANIE M1 10.8	M1 10.8 DECAL	
C042426	DECALCOMANIE M1 10.9	M1 10.9 DECAL	
C042422	DECALCOMANIE M1 SD 6.3	M1 SD 6.3 DECAL	
C042419	DECALCOMANIE M1 SD 7.3	M1 SD 7.3 DECAL	
C042423	DECALCOMANIE M1 SD 8.4	M1 SD 8.4 DECAL	
C042428	DECALCOMANIE M1 SD 9.5	M1 SD 9.5 DECAL	

Component list [TAV. 95 DECALS]

Pos.	Code	Description	Q.ty
1	C042200	GENERAL SAFETY DECALS FOR MULTIONE	1.00000
2	C042202	S/SL/GT SAFETY DECALS FOR MULTIONE	1.00000
3	C042111	DECALCOMANIA DECIBEL LWA 98 DB	1.00000
4	C042110	DECALCOMANIA DECIBEL LWA 99 DB	1.00000
5	C042109	DECALCOMANIA DECIBEL LWA 100 DB	1.00000
6	C042112	LWA 101 DB LABEL	1.00000
7	C042114	DECALCOMANIA DECIBEL LPA 82 DB	1.00000
8	C042116	LPA 84 DB LABEL	1.00000
9	C042117	LPA 85 DB LABEL	1.00000
10	C042102	DECALCOMANIA DECIBEL LPA 86 DB	1.00000
11	C042100	DECALCOMANIA DECIBEL LPA 87 DB	1.00000
12	C042437	M1 2 SERIES LOAD DIAGRAM DECAL	1.00000
13	C042443	M1 4-5 SERIES LOAD DIAGRAM DECAL	1.00000
14	C042429	{{>desc}}	1.00000
15	C042430	{{>desc}}	1.00000
16	C042431	{{>desc}}	1.00000



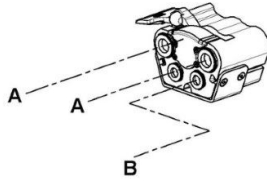
Draft and part list report
Serial n / code M331834 / C977006
Description MULTIONE 5.2 25 HP 1;GEN

17	C042432	{{>desc}}	1.00000
18	C042440	M1 6SD SERIES LOAD DIAGRAM DECAL	1.00000
19	C042439	M1 7SD-8SD SERIES LOAD DIAGRAM DECAL	1.00000
20	C042438	SD 9 LOAD DIAGRAM DECAL	1.00000
21	C042175	M1 1.1 DECAL	1.00000
22	C042436	{{>desc}}	1.00000
23	C042190	{{>desc}}	1.00000
24	C042189	{{>desc}}	1.00000
25	C042188	{{>desc}}	1.00000
26	C042412	KIT DECALS FOR M1 6.3	1.00000
27	C042434	KIT DECALS FOR M1 6.3S	1.00000
28	C042413	KIT DECALS FOR M1 6.3S	1.00000
29	C042433	KIT DECALS FOR M1 7.3	1.00000
30	C042414	KIT DECALS FOR M1 7.3	1.00000
31	C042415	KIT DECALS FOR M1 7.3+	1.00000
32	C042416	KIT DECALS FOR M1 7.3S	1.00000
33	C042417	KIT DECALS FOR M1 8.4	1.00000
34	C042427	KIT DECALS FOR M1 8.4	1.00000
35	C042418	KIT DECALS FOR M1 8.4S	1.00000
36	C042420	{{>desc}}	1.00000
37	C042442	8.5S KIT DECALS	1.00000
38	C042421	DECALS KIT FOR M1 9.5	1.00000
39	C042424	{{>desc}}	1.00000
40	C042425	{{>desc}}	1.00000
41	C042426	{{>desc}}	1.00000
42	C042422	{{>desc}}	1.00000
43	C042419	{{>desc}}	1.00000
44	C042423	{{>desc}}	1.00000
45	C042428	SD 9.5 DECALS	1.00000

INSERTI WEO / WEO FITTINGS

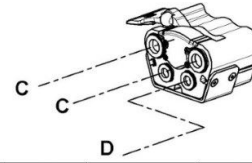
Tav. 96

**MACHINE MULTICONNECTOR
 MULTIONE 9-10 SERIES**



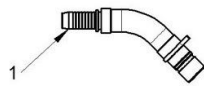
HOSE TYPE	WORK PRES BAR	HOSE DIAMETER	LENGHT RUBBER HOSE	1st FITTING DIN 2353	2nd FITTING WEO
"A" PORTS HOSES					
2SC	250	5/8"	1030	MALE STRAIGHT 18L (M30x2)	POS. 1
"B" PORT HOSE					
PILOT	100	3/8"	1150	MALE STRAIGHT 12L (M18x1,5)	POS. 3

**MACHINE MULTICONNECTOR
 MULTIONE 2-4-5-6-7-8 SERIES**



HOSE TYPE	WORK PRES BAR	HOSE DIAMETER	LENGHT RUBBER HOSE	1st FITTING DIN 2353	2nd FITTING WEO
2 SERIES					
"C" PORTS HOSES					
1SC	160	1/2"	730	FEMALE 90° 12L (M18x1,5)	POS. 2
1SC	160	1/2"	690	FEMALE STRAIGHT 12L (M18x1,5)	POS. 2
"D" PORT HOSE					
PILOT	100	3/8"	710	FEMALE 90° 12L (M18x1,5)	POS. 3
4-5 SERIES					
"C" PORTS HOSES					
1SC	160	1/2"	730	MALE STRAIGHT 15L (M22x1,5)	POS. 2
1SC	160	1/2"	780	MALE STRAIGHT 15L (M22x1,5)	POS. 2
"D" PORT HOSE					
PILOT	100	3/8"	790	MALE STRAIGHT 12L (M18x1,5)	POS. 3
6-7-8 SERIES					
"C" PORTS HOSES					
1SC	160	1/2"	970	MALE STRAIGHT 15L (M22x1,5)	POS. 2
"D" PORT HOSE					
PILOT	100	3/8"	1060	MALE STRAIGHT 12L (M18x1,5)	POS. 3

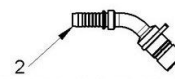
A 45° FITTING WEO SIZE 3/4"
 FOR 5/8" HOSE



B 45° FITTING WEO SIZE 1/2"
 FOR 3/8" HOSE



C 45° FITTING WEO SIZE 3/4"
 FOR 1/2" HOSE

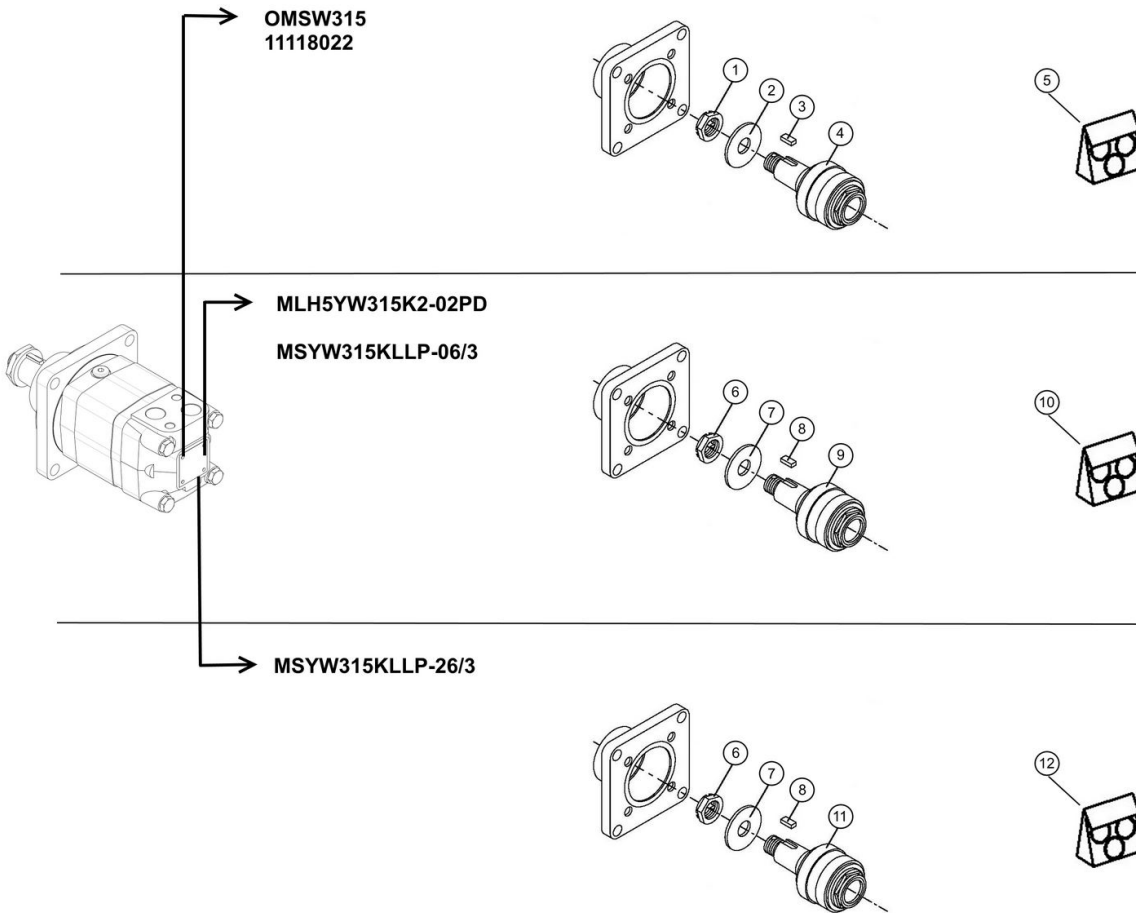


D 45° FITTING WEO SIZE 1/2"
 FOR 3/8" HOSE



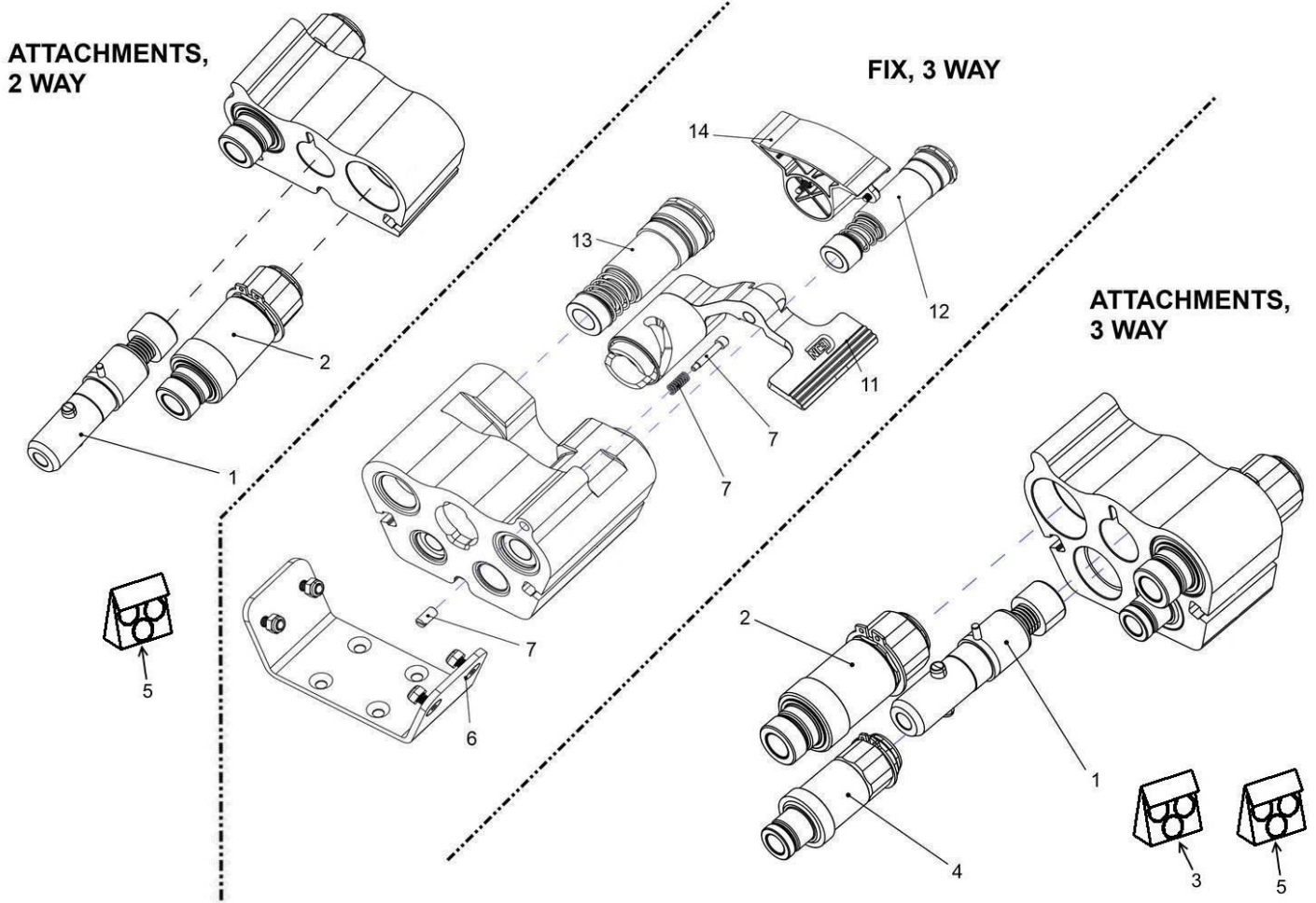
Component list [TAV. 96 MACHINE MULTICONNECTOR WEO FITTINGS]

Pos.	Code	Description	Q.ty
1	C033401	45° FITTING WEO SIZE 3/4" FOR 5/8" HOSE	1.00000
2	C033402	45° FITTING WEO SIZE 3/4" FOR 1/2" HOSE	1.00000
3	C033405	45° FITTING WEO SIZE 1/2" FOR 3/8" HOSE	1.00000
4	C033410	STRAIGHT FITTING WEO SIZE 1/2" FOR 1/2" HOSE	1.00000
5	C033411	STRAIGHT FITTING WEO SIZE 1/2" FOR 3/8" HOSE	1.00000
6	C033416	90° FITTING WEO SIZE 1/2" FOR 3/8" HOSE	1.00000
7	C033425	STRAIGHT FITTING WEO SIZE 3/8" FOR 3/8" HOSE	1.00000



Component list [TAV. 98 WHEEL MOTOR DETAILS]

Pos.	Code	Description	Q.ty
1	FF139/681X8235	THREAD FERRULE	1.00000
2	FF139/684X2530	WASHER	1.00000
3	FF139/682L8021	PARALLEL KEY	1.00000
4	FF139/151F0114	SHAFT AND BEARING FOR OMSW	1.00000
5	FF139/151F0111	SEAL KIT FOR OMSW MOTORS	1.00000
6	FF424/4981700200	CASTELLAETD NUT FOR MOTOR SHAFT	1.00000
7	FF424/4981702700	WASHER FOR MOTOR SHAFT	1.00000
8	FF424/5682100100	KEY FOR MOTOR SHAFT	1.00000
9	FF424/4132402400B	SHAFT W/BERINGS FOR MSYW-KLLP-3 MOTOR	1.00000
10	FF424/4151274200	SEAL KIT FOR MSYW-KLLP/3 MOTOR	1.00000
11	FF424/127414310026	SHAFT W/BERINGS FOR MSYW-KLLP-26/3 MOTOR	1.00000
12	FF424/4151274143LLP-26	SEAL KIT FOR MSYW-KLLP-26/3 MOTOR	1.00000



Component list [TAV. 99 HYDRAULIC MULTI COUPLING PLATE, FIX 3 WAY, ATTACHMENTS 3 WAY, ATTACHMENTS 2 WAY]

Pos.	Code	Description	Q.ty
1	FF1187/109324972	CENTER BOLT KIT	1.00000
2	FF1187/105646905	MALE JOINY KIT DN 12,5	1.00000
3	FF1187/103654991	DN 10 SEAL KIT	1.00000
4	FF1187/103646904	MALE JOINY KIT DN 10	1.00000
5	FF1187/105654991	DN 12,5 SEAL KIT	1.00000
6	FF1187/109324975	MOUNTING BRACKET	1.00000
7	FF1187/109324992	LOCKING LEVER PIN KIT	1.00000
11	FF1187/109324970	LOCKING LEVER KIT	1.00000
12	FF1187/103651906	FEMALE JOINY KIT DN 10	1.00000
13	FF1187/105651907	FEMALE JOINY KIT DN 12,5	1.00000
14	FF1187/109324971	BACK LID KIT	1.00000