

TABLE "A"

1. CRUSHING CASE	1
2. ROTOR	1
3. ROTOR SUPPORT	1
4. GROUP TRANSMISSION	1

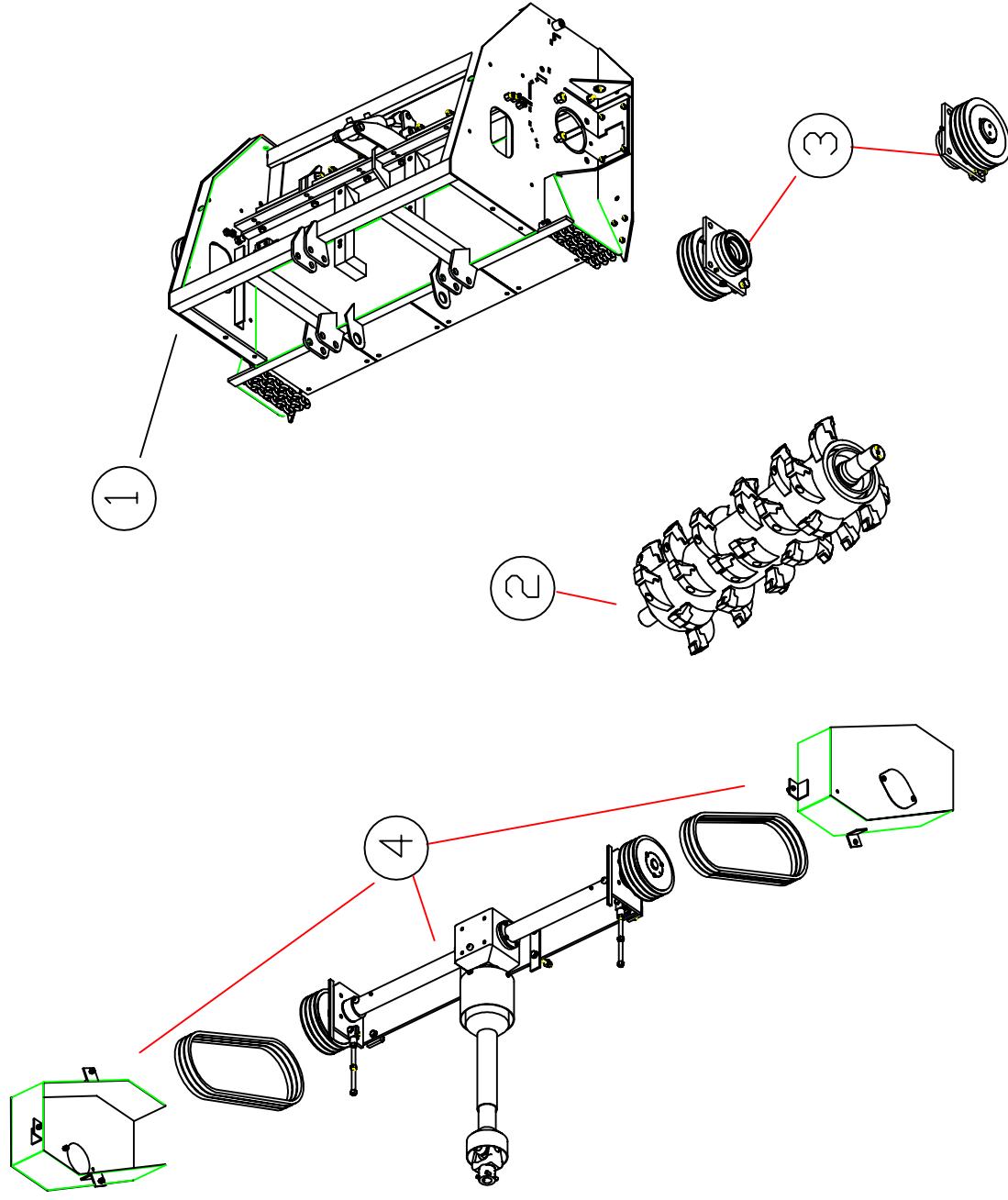


TABLE "A\1"

1. CASE	1
2. CLOSE SLIDE ROTOR-SX	1
2A. CLOSE SLIDE ROTOR DX	1
3. BOLTS 10X30 TS UNI 5933	14
4. SLIDE FRONT CONSUMPTION	2
5. SLIDE REAR CONSUMPTION	2
6. CONSUMPTION SLIT POINT	2
7.SHEET METAL PROTECTION STONES	4
8. ROUND 22	1
9. BOLT 10X60	2
10. PINS LIFT D28	1
11. PIN THIRD POINT D25	1
12. VALVE BLOCK CYLINDER	1
13. CYLINDER GRID	1
14. BOLTS 20X140 + NUTS	1
15. ROUND 25 PIN CYLINDER GRID	1
16. BOLT 8X50 + NUT	1
17. SHEET METAL DOOR GRID	1
18. BOLTS 20X60 + NUTS	8
19. BOLTS 20X140+NUTS+WASHERS	2
20. SHEET METAL PROTECTION STONES	3
21. ROUND 22	1
22. GRID DX	1
23. GRID SX	1
24. BOLTS 16X60+NUTS	4+4
25. LOWER BLADE CONTRAST	1
26. BOLTS 16X50+NUTS	6
27. NUTS 24X2 SUPPORT	4
28. LATERAL PROTECTION	2
29. LATERAL PROTECTION	1
31. SUPERIOR CONSUMPTION CASEH	1
32. FRONT BACK DOOR BLADE	1
33. FRONT BACK DOOR BLADE	1
34. BLADE DOOR CONTRAST HIGHER	1
35. BLADE DOOR CONTRAST HIGHER	6
36. DOOR GREASE 10X1\10X1	4
37. DOOR BREATHER 3\8-1\8	2
38. NUT M 20	6
39. LEGRIS-1\8	2
40. FITTING -10X1	4
41. GREASER 10X1	4
42. VENT CAP 3\8	2
43. PIPE	1
44. PIPE	1
45. BOLTS 3\8	2
46. ADAPTERS	4
47. PIPE	2
48. ADAPTERS	2
49. QUICK COUPLINGSI 1\2	2

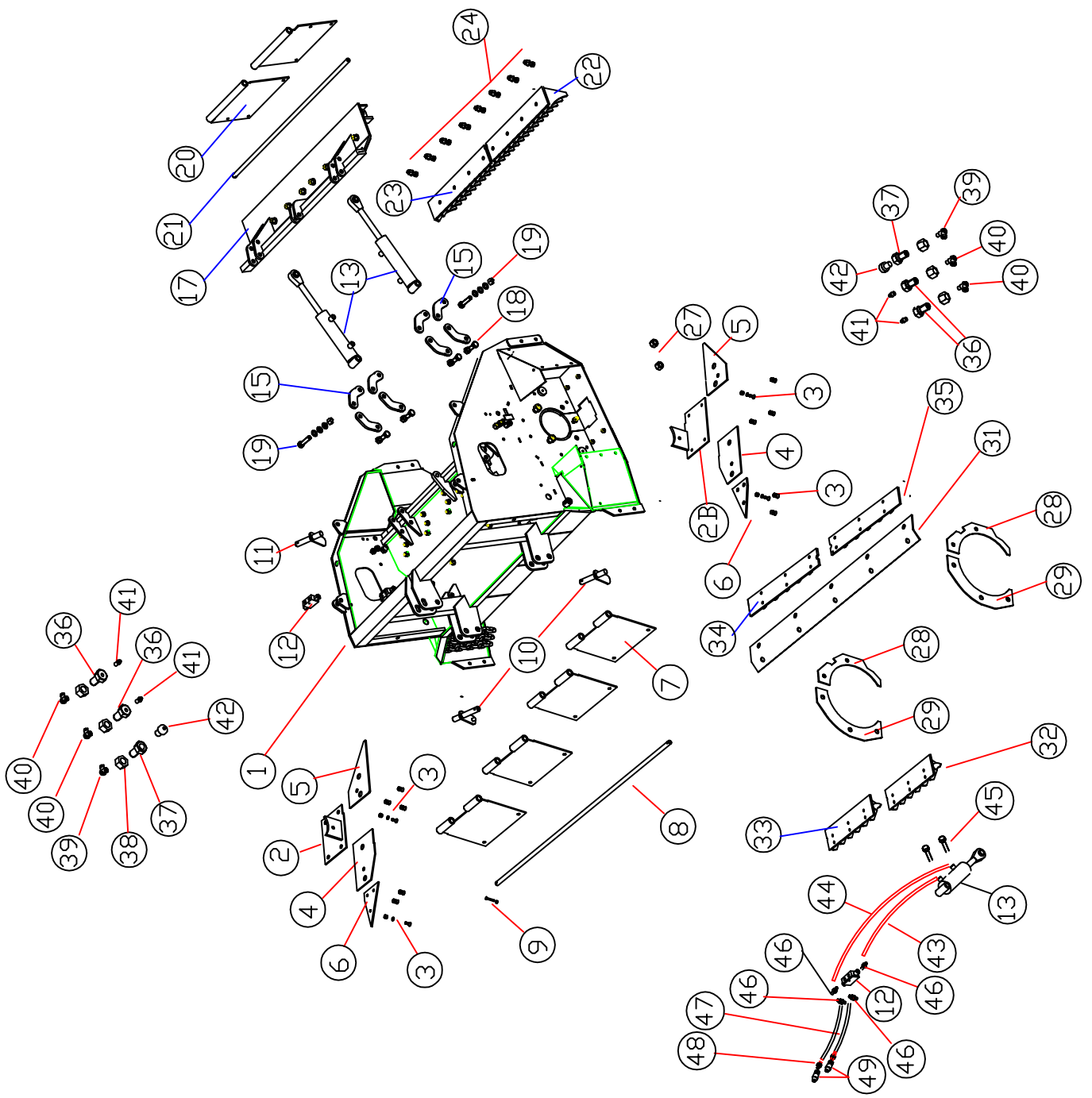


TABLE "A\2"

1. ROTOR	1
2. TOOL HOLDER	
3. BOLT BLOCK TOOL	
4. TOOL	

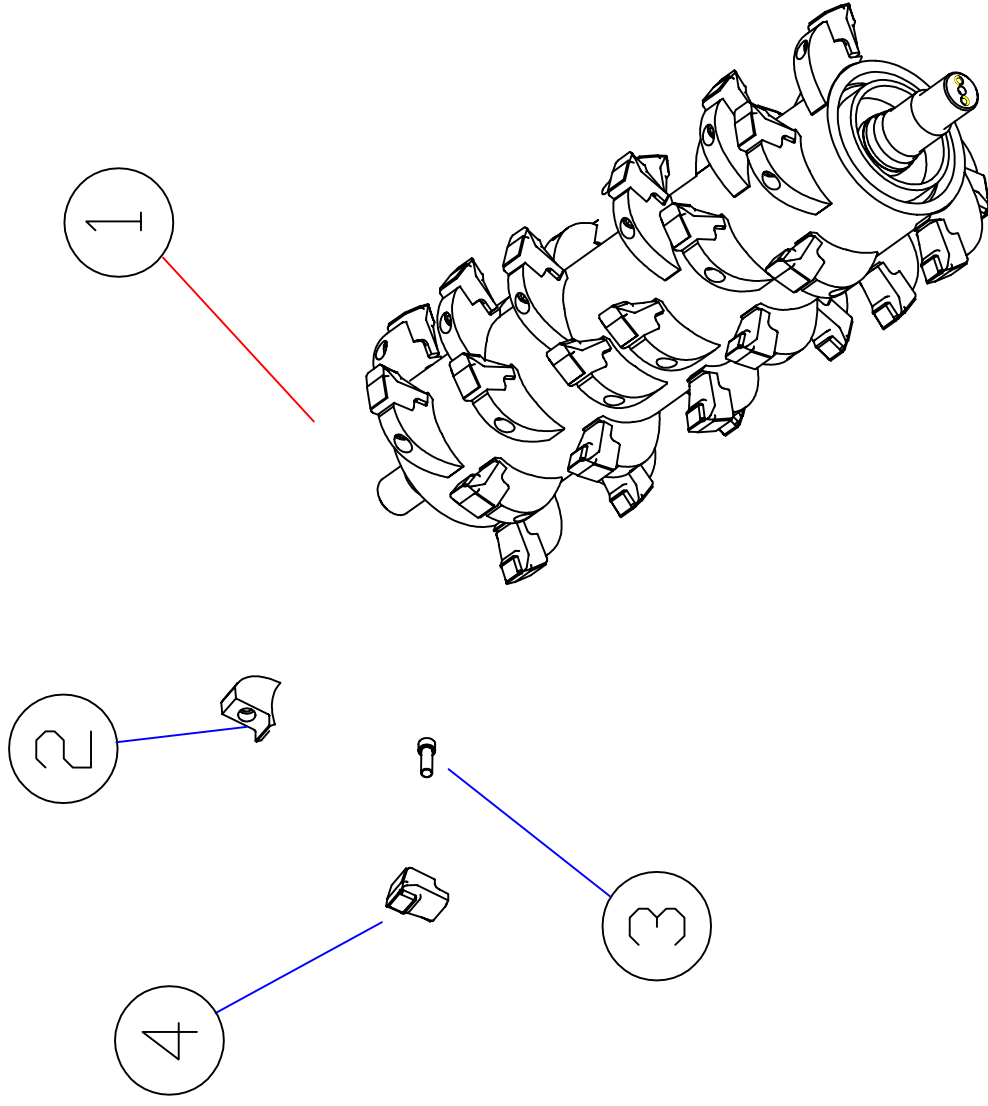
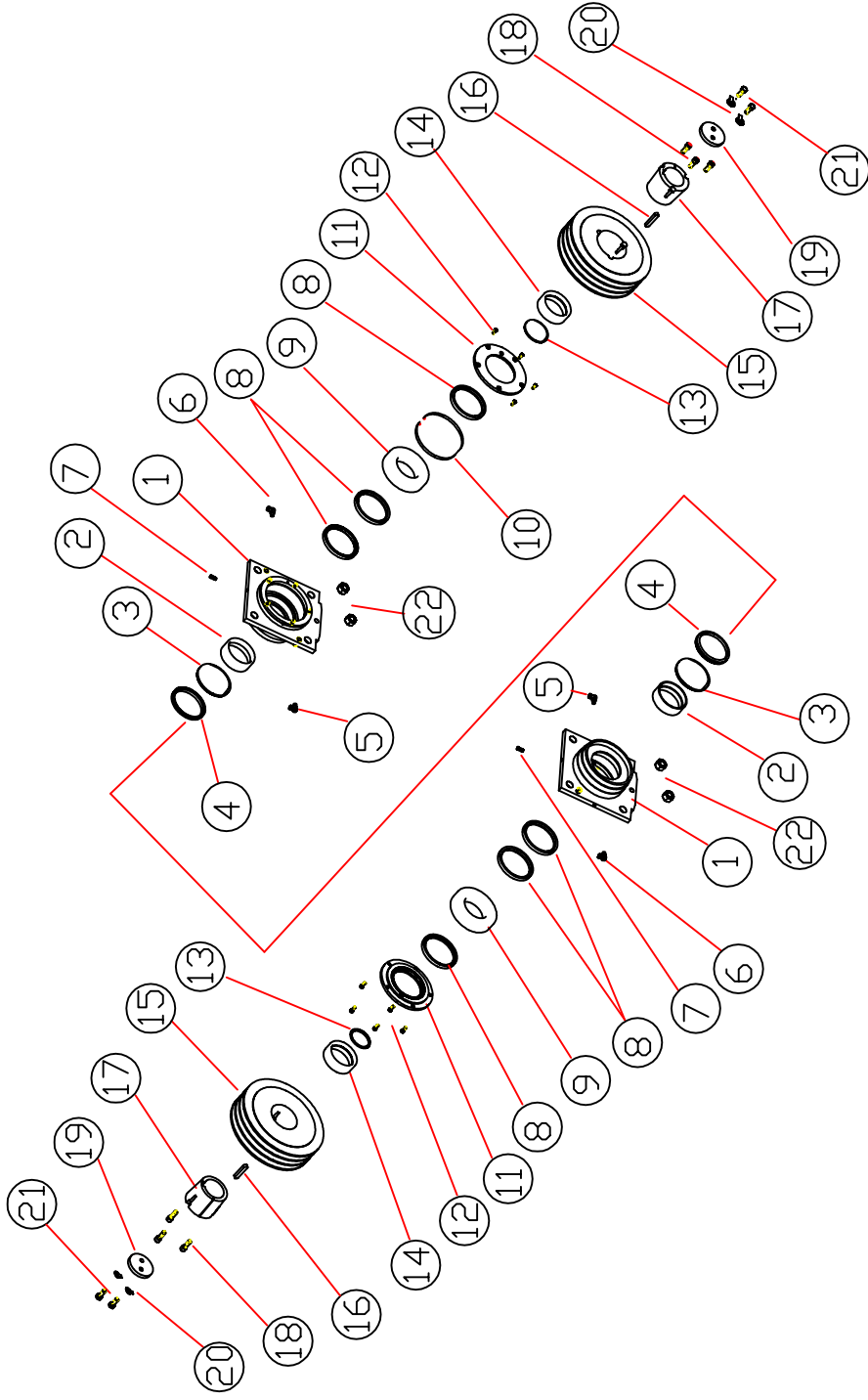


TABLE "A\3"

1. ROTOR SUPPORT	2
2. BUSH FOR DISTANCE REAR	2
3. DRINGS 94.84X3.53	2
4. DUST SEAL VS 110	2
5. RACC PER TUBO INGRASSATORE 10X1	2
6. FITTING FOR INGRASSATOR TUBE 1\8 GAS	2
7. FITTING FOR INGRASSATOR TUBE 10X1	2
8. OILSEAL 110X130X12	6
9. BEARING 22218 CC	2
10. SEEGER 160 UNI 3654	1
11. FLANGE DOOR OILSEAL	2
12. BOLTS 8X20 TS UNI 5933	10
13. DRINGS 88.49X3.53	2
14. DISTANCE BUSH EXTERNAL	2
15. PULLEY 5 SPC 300	2
16. KEY 20X80	2
17. COMPASS CONICAL 35-35-75	2
18. BOLT LOCK PULLEY	6
19. CAP LOCK ROTOR	2
20. WASHER 12	4
21. BOLTS 12X35	4
22. NUT 24X2	4



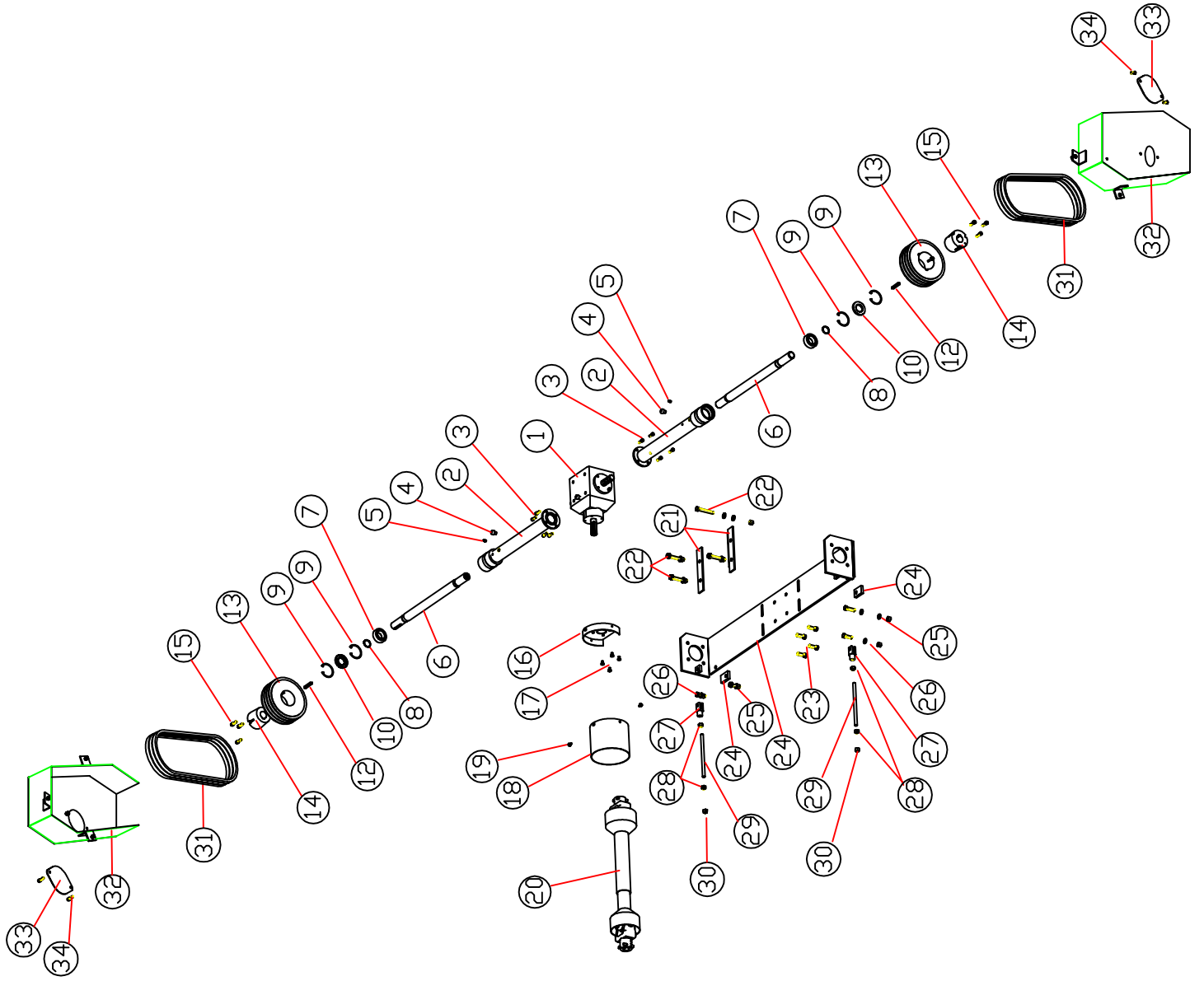


TABLE "A\4"

1. GROUP 2151936222	1
2. EXTENSION TUBE	2
3. BOLT 10X30 UNI5931	8
4. BREATHER CAP GREASER 3\8	2
5. GREASER 10X1	2
6. EXTENSION SHAFT	2
7. BEARING 22209	2
8. SEEGER 45 UNI 3653	2
9. SEEGER 85 UNI 3654	4
10. OIL SEAL 45X65X10 2 RP	2
11.	
12. KEY 14X80	2
13. PULLEY 5 SPC 265	2
14. CONE BUSH 3535\50	2
15. BOLT BLOCK PULLEY	6
16. CAP PROTECTION THREE	1
17. BOLT 10X16	1
18. CAP PROTECTION THREE	1
19. BOLT 8X16	2
20. DRIVE SHAFT N 8 3\4-26	1
21. LOCKING PLATE	1
22. BOLT 16X110	4
23. BOLT 16X40 LOCKING GEAR BOX	4
24. SHEET GEAR BOX	1
25. BOLT LOCK SHEET SIDE	2
26. BOLT 16X60 + NUT	2
27. FORK M 16	2
28. NUT M 16	4
29. THREADED BAR	2
30. NUT M 16	2
31. BELT XPC 2120	10
32. BELT COVER	2
33. SPY BELT CAP	2
34. BOLT 10X30	4