

# KXS-F

## KXS-F 100-120-140



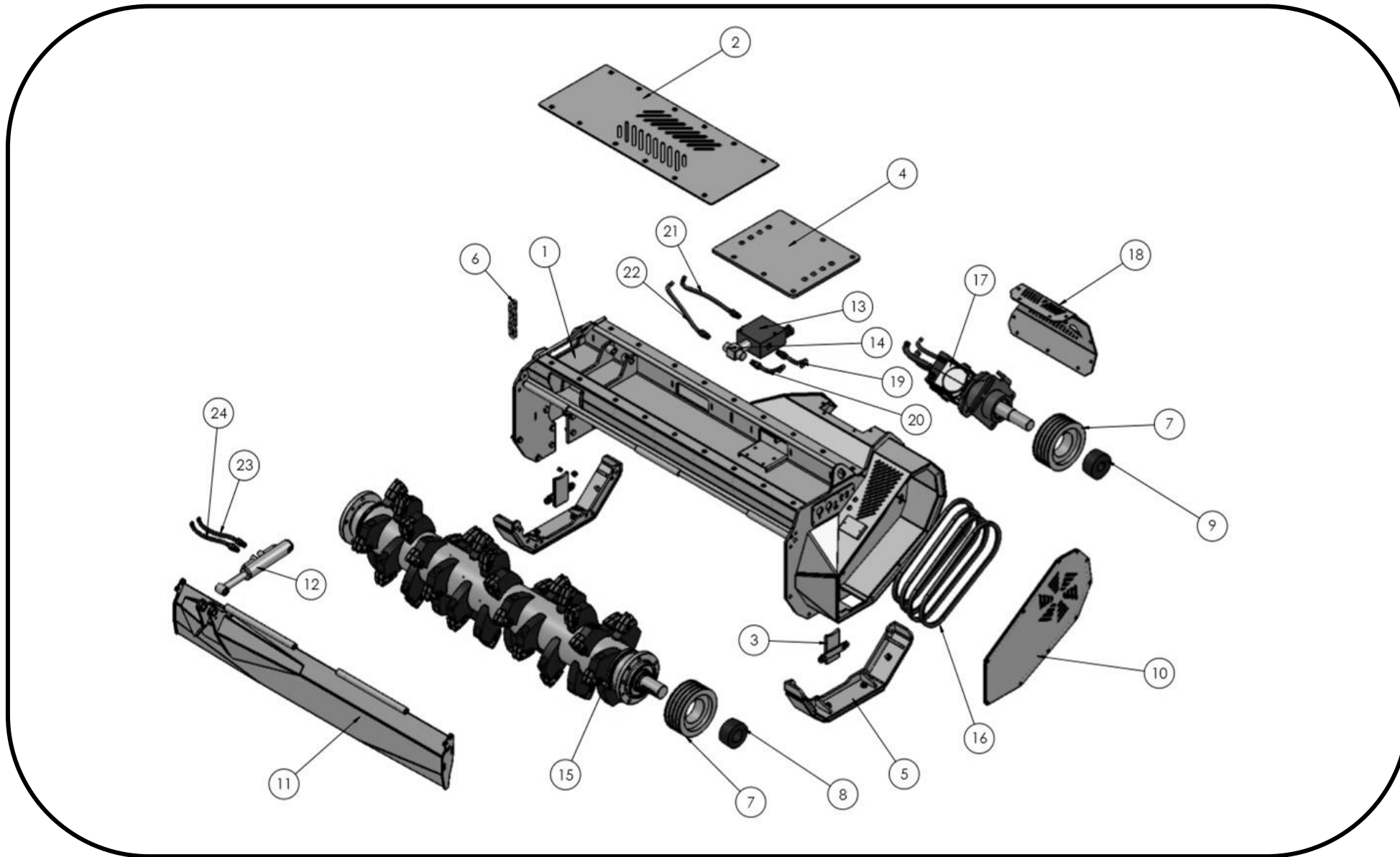
DESPIECE / ÉCLATÉE / SPARE PARTS LIST

**NB MACHINERY**

AGRICULTURAL & FORESTRY



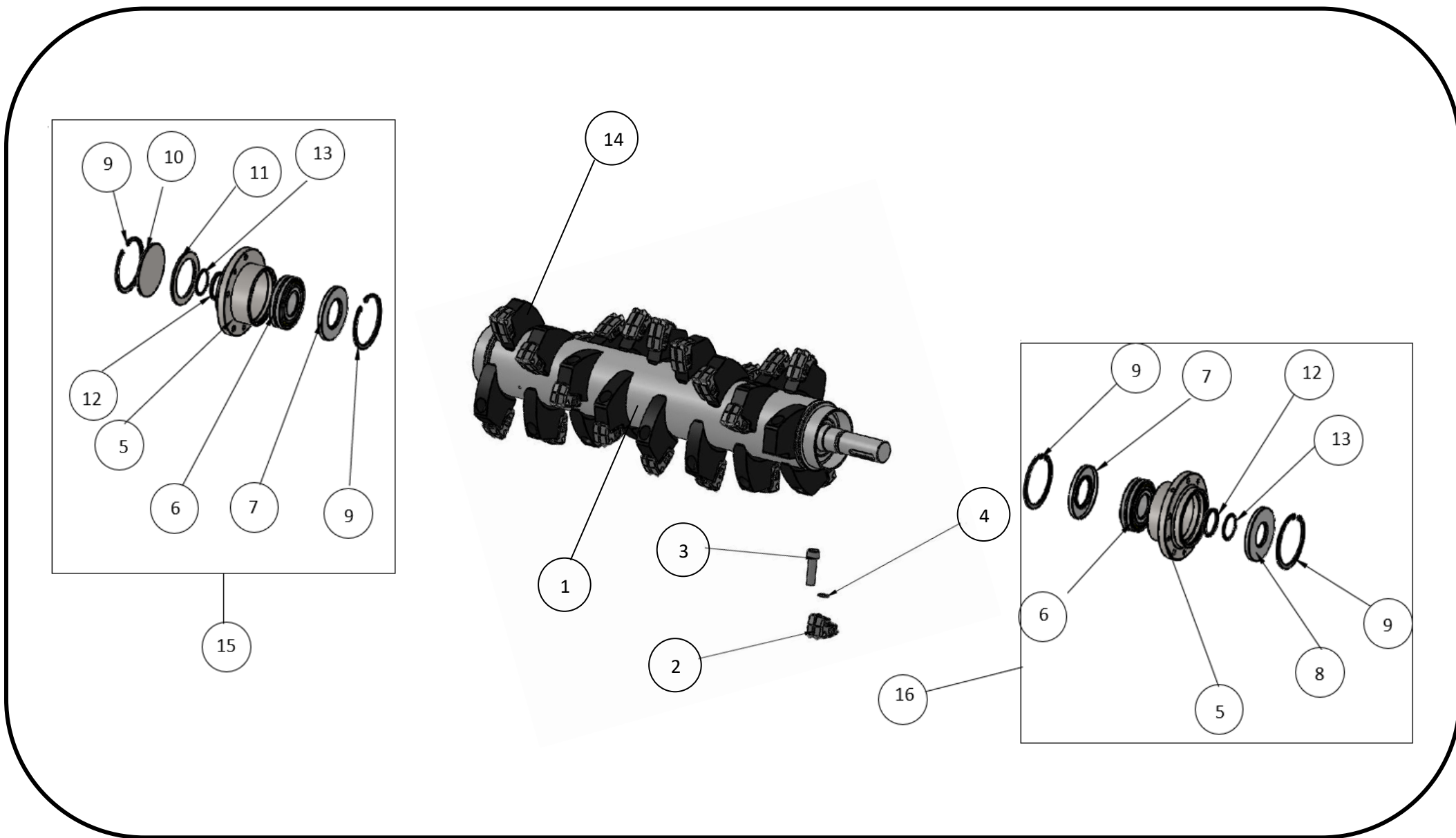
# CONJUNTO CABEZAL/ MULCHER HEAD ASSEMBLY/ ASSEMBLAGE TÊTE BROYEUR



## CONJUNTO CABEZAL/MULCHER HEAD ASSEMBLY/ ENSEMBLE TÊTE BROYEUR

Nº	Part Nº	DESCRIPCIÓN	DESCRIPTION	DÉSCRIPTION	Quantity
1	TT1P1	CONJUNTO CHASIS 100/120/140	CHASSIS ASSEMBLY 100/120/140	ENSEMBLE CHÂSSIS 100/120/140	1
2	TT1P2	CHAPA CIERRE KXS	CLOSURE SHEET KXS	PLAQUE FERMETURE KXS	1
3	TT1P3	TAPA CIERRE LATERAL	SIDE CLOSURE SHEET	PLAQUE FERMETURE LATÉRALE	2
4	TT1P4	PLACA ENGANCHE	COUPLING SHEET	PLAQUE ATTELAGE	1
5	TT1P5	CONJUNTO PATIN	SKID ASSEMBLY	ENSEMBLE PATIN	2
6	TT1P6	CADENA ESLABONES 35x60x10	CHAIN LINKS 35x60x10	CHAÎNE MAILLONS 35x60x10	28/33/38
7	TT1P7	POLEA SPB200 4 CANALES	PULLEY SPB200 4 WAYS	POULIE SPB200 4 CANAUX	2
8	TT1P8	TAPPER 3020/55	TAPER LOCK BUSH 3020/55	TAPER LOCK 3020/55	1
9	TT1P9	TAPPER 3020/40	TAPER LOCK BUSH 3020/40	TAPER LOCK 3020/40	1
10	TT1P10	TAPA CAJA CORREAS	COVER PROTECTION BELTS	COUVERCLE PROTECTION COURROIES	1
11	TT1P11 TT1P12 TT1P13	PUERTA KXS 100/120/140	REAR DOOR KXS 100/120/140	CAPOT KXS 100/120/140	1
12	TT1P14	CILINDRO PUERTA TRASERA	HYDRAULIC CYLINDER REAR DOOR	VÉRIN HYDRAULIQUE CAPOT ARRIÈRE	1
13	TT1P15	REGULADOR CAUDAL 1"	FLOW REGULATOR 1"	RÉGULATEUR DU DÉBIT 1"	1
14	TT1P16	T 1"	T 1"	T 1"	1
15	TT1P17	CONJUNTO EJE MARTILLOS 100/120/140	AXIS OF HAMMER ASSEMBLY 100/120/140	AXE DE MARTEAUX 100/120/140	1
16	TT1P18	CORREA BX51	BELT BX51	COURROIE BX51	4
17	TT1P19	CONJUNTO MOTOR HIDRAULICO	HYDRAULIC MOTOR ASSEMBLY	ENSEMBLE MOTEUR HYDRAULIQUE	1
18	TT1P20	TAPA MOTOR	MOTOR COVER	COUVERCLE MOTEUR	1
19	TT1P21	MANGUERA PRESION REGULADA A MOTOR (100/120-140)	PRESSURE HOSE REGULATED TO MOTOR (100/120-140)	TUYAU PRESSION REGLÉE À MOTEUR (100/120-140)	1
20	TT1P22	MANGUERA RETORNO MOTOR A VALVULA (100/120-140)	RETURN HOSE REGULATED TO MOTOR (100/120-140)	TUYAU RETOUR REGLÉE À MOTEUR (100/120-140)	1
21	TT1P23	MANGUERA PRESION GENERAL	MAIN PRESSURE HOSE	TUYAU PRESSION GÉNÉRAL	1
22	TT1P24	MANGUERA RETORNO GENERAL	MAIN RETURN HOSE	TUYAU RETOUR GÉNÉRAL	1
23	TT1P25	MANGUERA CILINDRO PUERTA	HYDR CYLINDER HOSE REAR DOOR	TUYAU VÉRIN CAPOT	1
24	TT1P26	MANGUERA CILINDRO PUERTA	HYDR CYLINDER HOSE REAR DOOR	TUYAU VÉRIN CAPOT	1

# EJE DE MARTILLOS/AXIS OF HAMMERS/AXE DE MARTEAUX



## EJE DE MARTILLOS/AXIS OF HAMMERS/AXE DE MARTEAUX

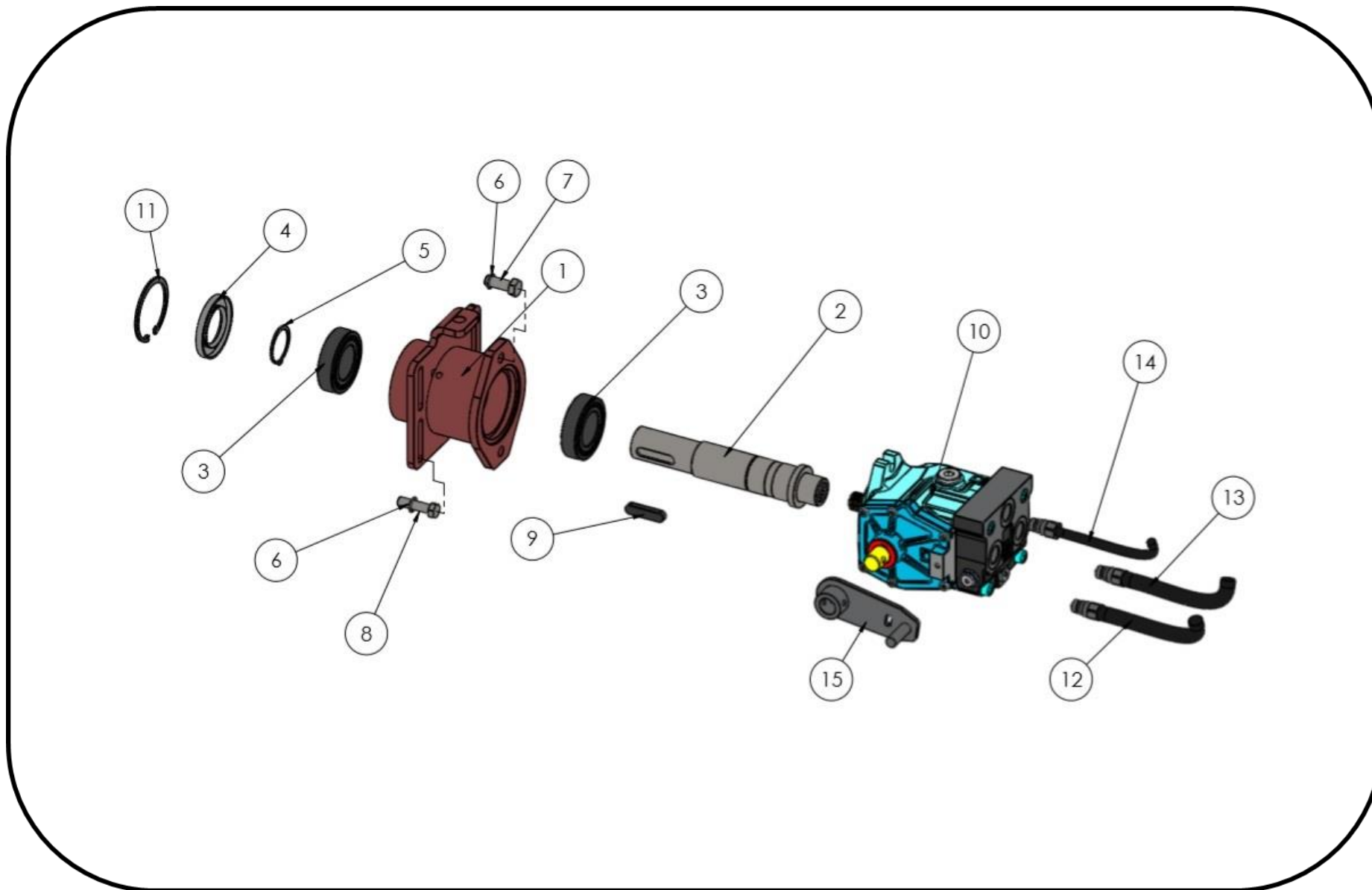
Nº	Part Nº	DESCRIPCIÓN	DESCRIPTION	DÉSCRIPTION	QUANTITY
1	TT2P1	EJE MARTILLOS 100/120/140*	AXIS OF HAMMER 100/120/140*	AXE MARTEAUX 100/120/140*	1
2	TT2P2	MARTILLO FORESTAL FIJO NB	FIXED FORESTRY HAMMER	MARTEAU FORESTIÈRE FIXE NB	24/30/36
3	TT2P3	TORNILLO DIN912 M-20x70	BOLT DIN912 M-20x70	VIS DIN912 M-20x70	24/30/36
4	TT2P4	ARANDELA AET	AET WASHER	RONDELLE AET	24/30/36
5	TT2P5	BUJE	HUB	MOYEU	2
6	TT2P6	RODAMIENTO 21312	BEARING 21312	ROULEMENT 21312	2
7	TT2P7	RETEN 68x135x10	SEAL 68x135x10	JOINTE 68x135x10	2
8	TT2P8	RETEN 55x135x10	SEAL 55x135x10	JOINTE 55x135x10	1
9	TT2P9	SEGGER I-135	SEGGER I-135	SEGGER I-135	4
10	TT2P10	TAPA CIEGA	CAP	COUVERCLE	1
11	TT2P11	SUPLEMENTO TAPA BUJE	WASHER	CALE	1
12	TT2P12	ARANDELA SUPLEMENTO	SPACE WASHER	RONDELLE	2
13	TT2P13	SEGGER E-60	SEGGER E-60	SEGGER E-60	2
14	TT2P14	SOPORTE MARTILLO FIJO	HAMMER HOLDER	SUPPORT MARTEAU FIXE	36/44/52
15	TT2P15	BUJE COMPLETO EXTERIOR ROTOR 21312	COMPLETE ROTOR HUB KIT (EXTERIOR SIDE) - 21312	MOYEU COMPLET EXTÉRIEUR ROTOR- 21312	1
16	TT2P16	BUJE COMPLETO TRANSMISION ROTOR-21312	ROTOR HUB REPLACEMENT KIT (PULLEY SIDE) - 21312	MOYEU COMPLET TRANSMISSION ROTOR - 21312	1

\*Se vende siempre completo con martillos (TR330), tornillos (TR484), arandelas (TR485) y soportes (TR1144)

Always sold with hammers (TR330), screws (TR484), washers (TR485) and holders (TR1144)

Vendu toujours complet avec marteaux (TR330), boulons (TR484), rondelles (TR485) et supports (TR1144)

# CONJUNTO MOTOR /MOTOR ASSEMBLY/ENSEMBLE MOTEUR



## CONJUNTO MOTOR /MOTOR ASSEMBLY/ENSEMBLE MOTEUR

Nº	Part Nº	DESCRIPCIÓN	DESCRIPTION	DÉSCRIPTION	QUANTITY
1	TT3P1	CONJUNTO BUJE MOTOR HIDRAULICO	HYDRAULIC MOTOR HUB ASSEMBLY	ENSEMBLE MOYEU MOTEUR HYDRAULIQUE	1
2	TT3P2	CONJUNTO EJE PROLONGACION MOTOR KXS	MOTOR EXTENSION SHAFT ASSEMBLY	ENSEMBLE ESSIEU PROLONGATION MOTEUR KXS	1
3	TT3P3	RODAMIENTO 4210	BEARING 4210	ROULEMENT 4210	2
4	TT3P4	RETEN 50x90x10	JOINT 50x90x10	JOINTE 50x90x10	1
5	TT3P5	SEGGER E-50	SEGGER E-50	SEGGER E-50	1
6a	TT3P6	ARANDELA DIN127 M14	WASHER DIN127 M14	RONDELLE DIN127 M14	1
6b	TT3P7	ARANDELA DIN127 M12	WASHER DIN127 M12	RONDELLE DIN127 M12	1
7	TT3P8	TORNILLO DIN933 M14x40	SCREW DIN933 M14x40	VIS DIN933 M14x40	1
8	TT3P9	TORNILLO DIN933 M12x50	SCREW DIN933 M12x50	VIS DIN933 M12x50	1
9	TT3P10	CHAVETA 14x9x60	COTTER PIN 14x9x60	CLAVETTE 14x9x60	1
10	TT3P11	MOTOR HIDRAULICO DE CILINDRADA VARIABLE	VARIABLE DISPLACEMENT HYDRAULIC MOTOR	MOTEUR HYDRAULIQUE CYLINDRÉE VARIABLE	1
11	TT3P12	SEGGER I-90	SEGGER I-90	SEGGER I-90	1
12*	TT3P13	MANGUERA PRESION	PRESSURE HOSE	TUYAU PRESSION	1
13*	TT3P14	MANGUERA RETORNO	RETURN HOSE	TUYAU RETOUR	1
14*	TT3P15	MANGUERA DRENAJE	DRAINAGE HOSE	TUYAU DRAINAGE	1
15	TT3P16	CHAPA AJUSTE CILINDRADA	PLATE OF DISPLACEMENT ADJUSTMENT	PLAQUE REGLAGE CYLINDRÉE	1