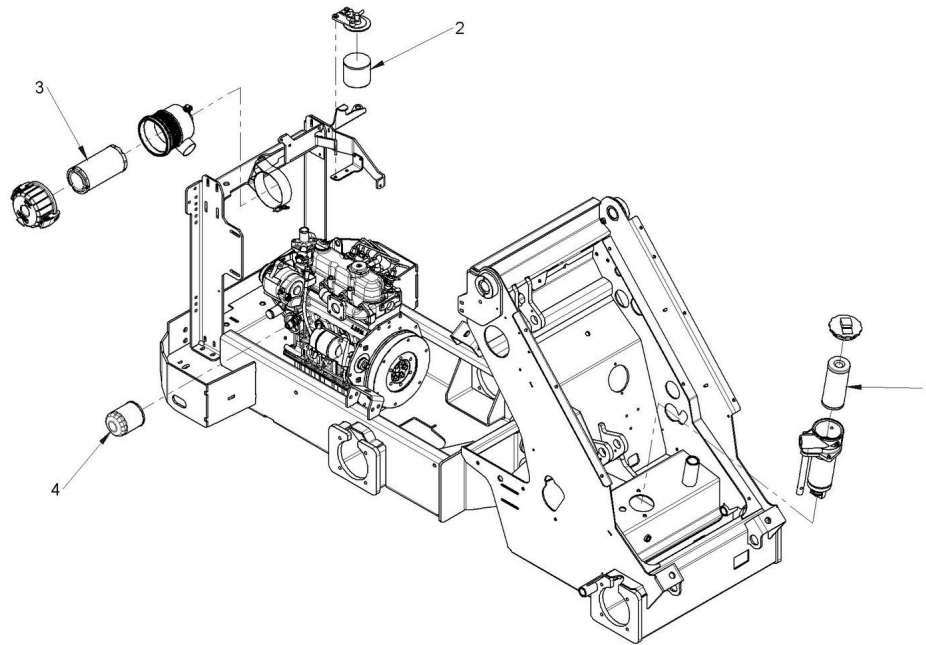


List of machine draft

| N. | Draft |
|----|--|
| 1 | TAV. 00 FILTERS |
| 2 | TAV. 01 ENGINE |
| 3 | TAV. 02 PUMPS |
| 4 | TAV. 03 PEDALS |
| 5 | TAV. 04 ENGINE COOLER |
| 6 | TAV. 05 OIL COOLER |
| 7 | TAV. 06 ARTICULATION |
| 8 | TAV. 07 WHEEL MOTORS |
| 9 | TAV. 08 THREAD INSERT |
| 10 | TAV. 09 ENGINE SILENT BLOCK |
| 11 | TAV. 10 RIGHT SIDE AND SEAT SUPPORT |
| 12 | TAV. 11 MUFFLER AND ENGINE COOLER |
| 13 | TAV. 12 CYLINDER AND POWER STEERING |
| 14 | TAV. 13 HAND BRAKE AND VALVE BANK |
| 15 | TAV. 14 OIL COOLER AND SUCTION COLLECTOR |
| 16 | TAV. 15 BATTERY AND FITTINGS |
| 17 | TAV. 16 AIR FILTER AND FUEL TANK |
| 18 | TAV. 17 WHEELS AND THROTTLE |
| 19 | TAV. 18 ROLLBAR |
| 20 | TAV. 19 BOOM AND MULTICOUPLING |
| 21 | TAV. 20 COUPLING PLATE |
| 22 | TAV. 22 JOYSTICK |
| 23 | TAV. 23 FRONT MUDGUARD |
| 24 | TAV. 24 REAR SUPPORT |
| 25 | TAV. 25 FRONT COVER |
| 26 | TAV. 26 REAR COVER |
| 27 | TAV. 27 CABIN COVERS |
| 28 | TAV. 28 SEAT |
| 38 | TAV. 29 DASHBOARDS |
| 29 | TAV. 30 TRANSPARENT FLOOR AND DOCUMENTS HOLDER |
| 30 | TAV. 31 ELECTRIC PARTS |
| 31 | TAV. 32 TELESCOPIC BOOM GAS FITTINGS |
| 32 | TAV. 33 TRANSMISSION HYDRAULIC DIAGRAM |
| 33 | TAV. 34 SERVICES HYDRAULIC DIAGRAM |
| 34 | TAV. 73 MULTIFUNCTION JOYSTICK |
| 39 | TAV. 80 ELECTRIC SWITCHES 2ND GEN |
| 35 | TAV. 89 COMPARE 2nd 3rd GENERATION MULTICONNECTOR MACHINE SIDE |
| 36 | TAV. 92 BSP MULTICONNECTOR MACHINE SIDE 2nd GENERATION |
| 37 | TAV. 96 BSP MULTICONNECTOR 3rd GENERATION MACHINE SIDE |

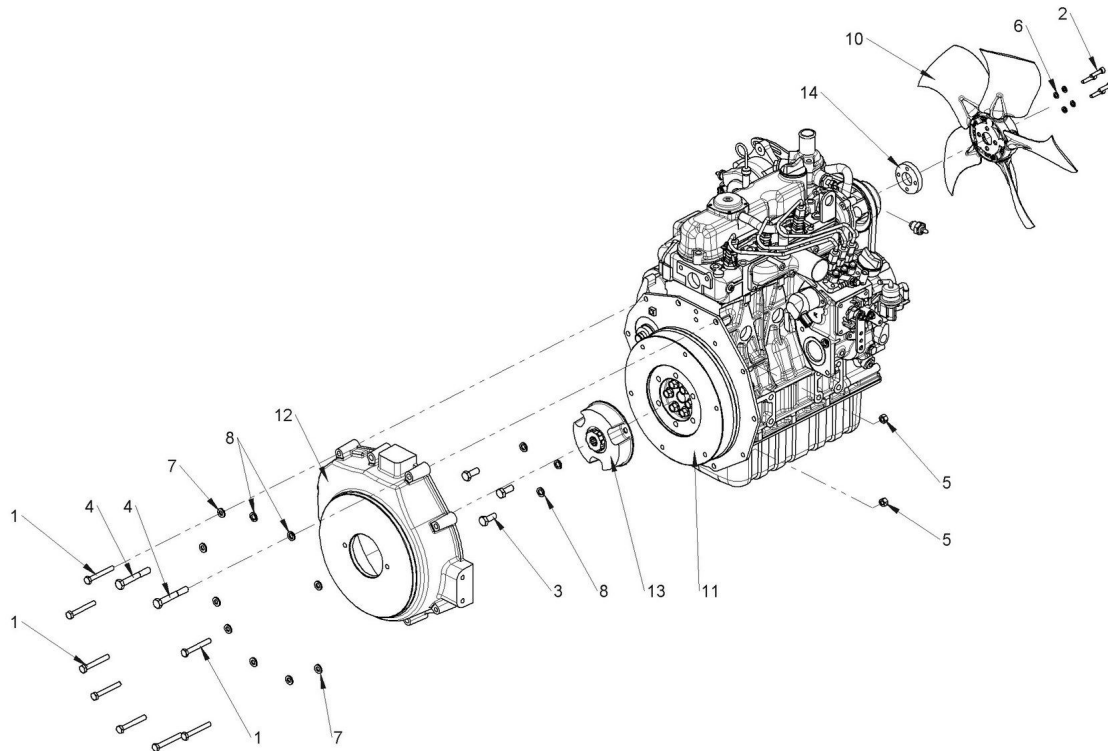


Draft and part list report
Serial n / code M355133 / C977038
Description MULTIONE 5.3K T4F-STAGE5



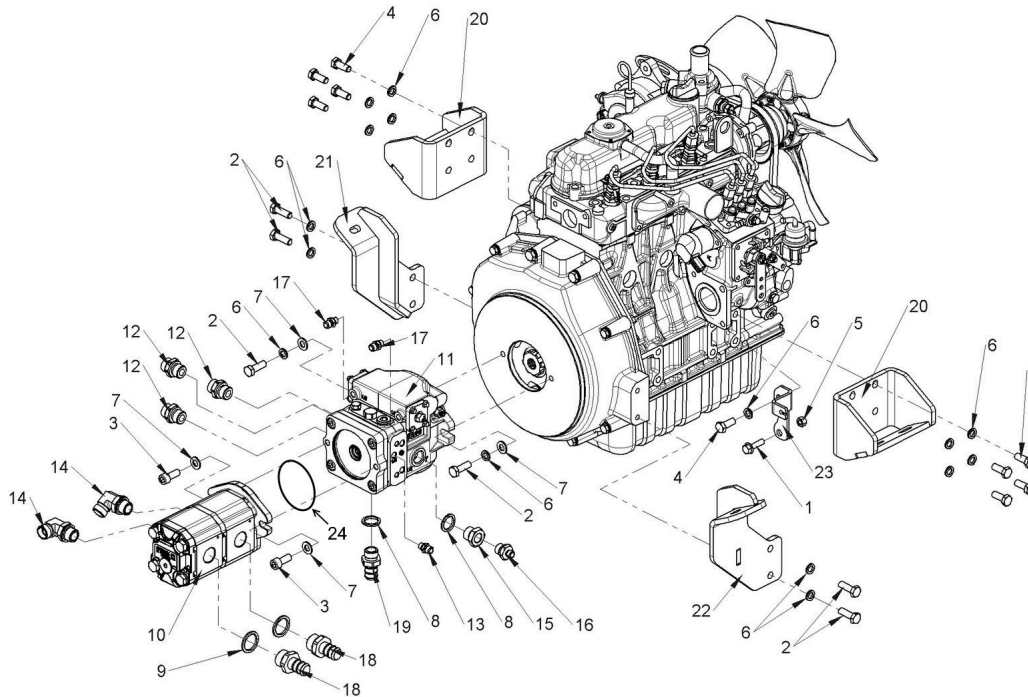
Component list [TAV. 00 FILTERS]

| Pos. | Code | Description | Q.ty |
|------|---------|--|---------|
| 1 | C036627 | HYDRAULIC OIL FILTER CARTRIDGE H160 | 1.00000 |
| 2 | C036649 | FUEL FILTER CARTRIDGE FOR KUBOTA D1305 V1505 | 1.00000 |
| 3 | C039058 | 4" AIR FILTER CARTRIDGE | 1.00000 |
| 4 | C039158 | KUBOTA D1305 V1505 ENGINE OIL FILTER | 1.00000 |



Component list [TAV. 01 ENGINE]

| Pos. | Code | Description | Q.ty |
|------|-------------------|---|---------|
| 1 | C020080 | HEXAGON HEAD SCREW M8x60 UNI 5739 | 8.00000 |
| 2 | C020212 | UNI EN ISO 4762 M6x25 HEX SOCKET HEAD CAP SCREW | 4.00000 |
| 3 | C020259 | UNI5740 HEXAGON HEAD SCREW M10x25 FINE THREAD | 3.00000 |
| 4 | C020299 | EN ISO 8765 HEXAGON HEAD SCREW M10x70 FINE THREAD | 2.00000 |
| 5 | C021502 | SLOTTED AND CASTLE HEXAGON NUTS M8 DIN980 | 2.00000 |
| 6 | C023040 | M6 NORD LOCK WASHER | 4.00000 |
| 7 | C023041 | M8 NORD LOCK WASHER | 8.00000 |
| 8 | C023042 | M10 NORD LOCK WASHER | 5.00000 |
| 9 | C034099 | WATER SENSOR FOR ENGINE, 2 CONTACTS | 1.00000 |
| 10 | FF162/16213-74111 | Ø360 KUBOTA FAN | 1.00000 |
| 11 | C039216 | ENGINE KUBOTA D1305- CSF T4F-STAGE5 | 1.00000 |
| 12 | C039516 | SEA A KOBUTA PUMP FLANGE | 1.00000 |
| 13 | C039547 | Z9 PUMP JOINT KUBOTA 05SERIES | 1.00000 |
| 14 | FF162/15679-74151 | DISTANZIALE 30mm PER VENTOLA KUBOTA | 1.00000 |



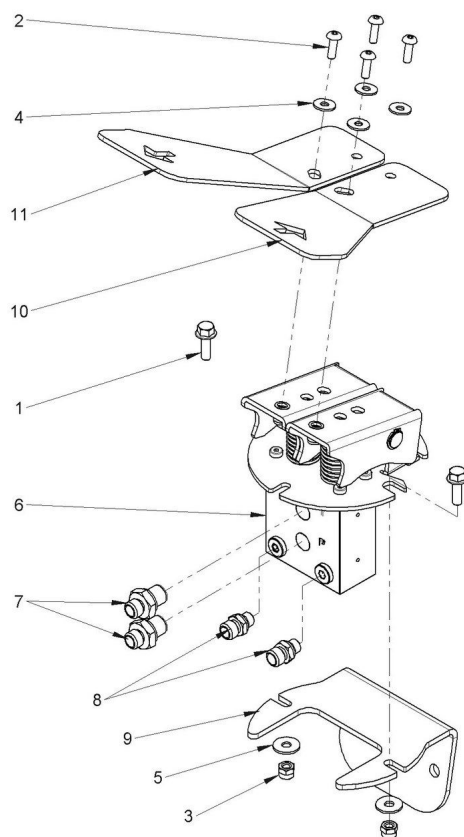
Component list [TAV. 02 PUMPS]

| Pos. | Code | Description | Q.ty |
|------|---------|--|----------|
| 1 | C019204 | DIN 6921 M8x30 FLANGED HEAD SCREW | 1.00000 |
| 2 | C020102 | UNI 5739 M10x30 HEX HEAD SCREW | 6.00000 |
| 3 | C020219 | UNI EN ISO 4762 M10x25 HEX SOCKET HEAD CAP SCREW | 2.00000 |
| 4 | C020259 | UNI5740 HEXAGON HEAD SCREW M10x25 FINE THREAD | 9.00000 |
| 5 | C021502 | SLOTTED AND CASTLE HEXAGON NUTS M8 DIN980 | 1.00000 |
| 6 | C023042 | M10 NORD LOCK WASHER | 15.00000 |
| 7 | C023080 | UNI 6592 FLAT WASHER M10 - 10,5x20x2 | 4.00000 |
| 8 | C030542 | 1/2" G BONDED WASHER | 2.00000 |
| 9 | C030543 | 3/4" G BONDED WASHER | 2.00000 |
| 10 | C030999 | 10+10CC TWIN GEAR PUMP | 1.00000 |
| 11 | C031381 | HYDROSTATIC PUMP 21CC -250 BAR | 1.00000 |
| 12 | C033003 | MALE-MALE CONNECTOR 1/2" G - 15L | 3.00000 |
| 13 | C033008 | MALE-MALE CONNECTOR 1/8" G - 6L | 1.00000 |
| 14 | C033022 | 90° ELBOW ADJ. MALE 1/2" G - MALE 15L | 2.00000 |
| 15 | C033040 | ADAPTER MALE 1/2" G - FEMALE 3/8" G | 1.00000 |
| 16 | C033173 | MALE-MALE CONNECTOR 3/8" G - 6L | 1.00000 |
| 17 | C033195 | MALE-MALE CONNECTOR 1/8" G - 6L WITH 0,8 mm HOLE | 2.00000 |



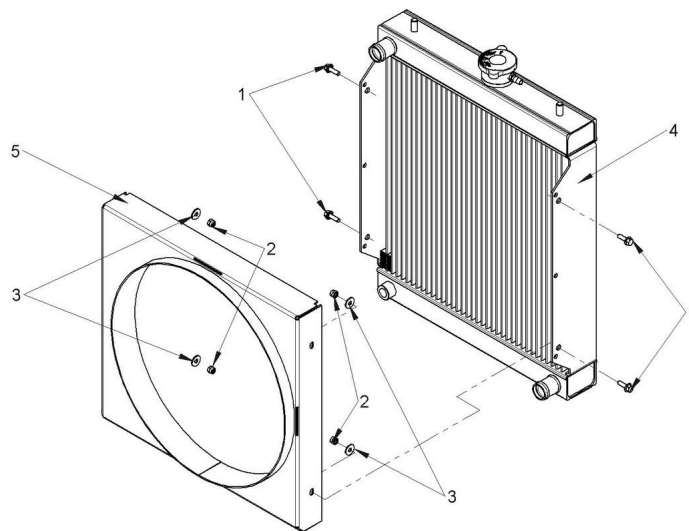
Draft and part list report
Serial n / code M355133 / C977038
Description MULTIONE 5.3K T4F-STAGE5

| | | | |
|----|---------|--|---------|
| 18 | C033300 | STRAIGHT HOSE CONNECTOR 3/4" G F - 3/4" HOSE | 2.00000 |
| 19 | C033301 | STRAIGHT HOSE FITTING 1/2" G - 3/4" HOSE | 1.00000 |
| 20 | C285105 | RIGHT AND LEFT REAR ENGINE SUPPORT | 2.00000 |
| 21 | C285108 | FRONT RIGHT KUBOTA D1305 SUPPORT | 1.00000 |
| 22 | C285110 | FRONT LEFT KUBOTA D1305 SUPPORT | 1.00000 |
| 23 | C285113 | THROTTLE WIRE BRACKET ON ENGINE | 1.00000 |
| 24 | C016001 | ORING 82,22X2,62 | 1.00000 |



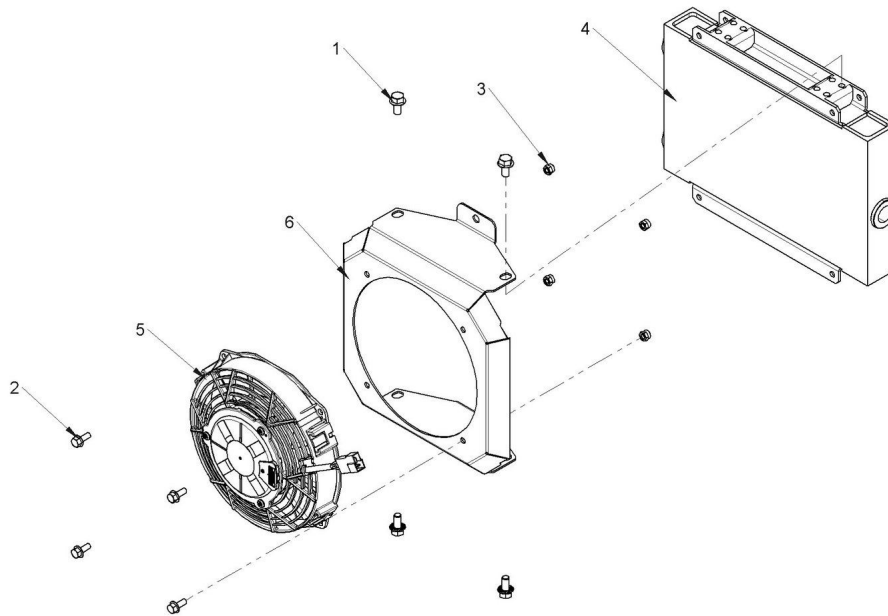
Component list [TAV. 03 PEDALS]

| Pos. | Code | Description | Q.ty |
|------|---------|---|---------|
| 1 | C019212 | DIN 6921 M6x20 FLANGED HEAD SCREW | 2.00000 |
| 2 | C020547 | ISO 7380 M5x16 HEX SOCKET OVAL HEAD SCREW | 4.00000 |
| 3 | C021104 | UNI 7473 SELF-LOCKING NUT M6 | 2.00000 |
| 4 | C023098 | UNI 6593 LARGE WASHER M5 - 5,5x15x1,5 | 4.00000 |
| 5 | C023110 | UNI 6593 LARGE WASHER M6 - 6,5x18x1,5 | 2.00000 |
| 6 | C030729 | TWIN PEDAL CONTROL BLOCK W/OUT PEDAL | 1.00000 |
| 7 | C033007 | MALE-MALE CONNECTOR 1/4" G - 6L | 2.00000 |
| 8 | C033008 | MALE-MALE CONNECTOR 1/8" G - 6L | 2.00000 |
| 9 | C277292 | PEDAL SUPPORT M1 4-5 | 1.00000 |
| 10 | C277302 | FORWARD PEDAL, S500/600 M1 4-5 | 1.00000 |
| 11 | C277303 | BACKWARD PEDAL, S500/600 M1 4-5 | 1.00000 |



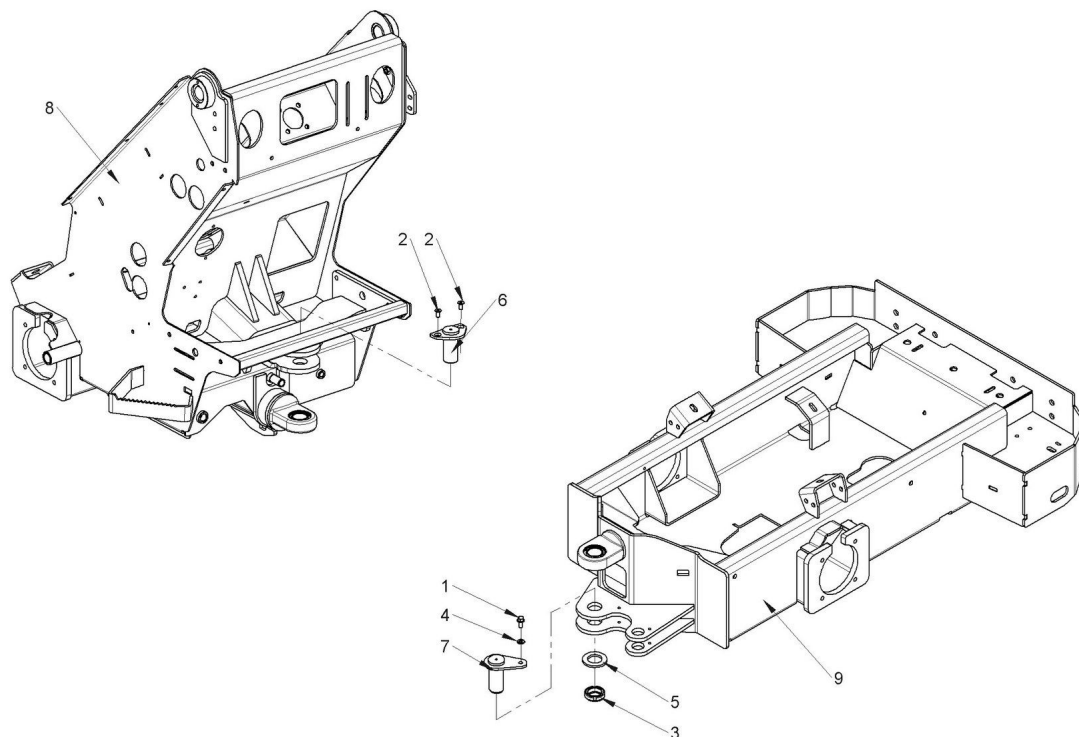
Component list [TAV. 04 ENGINE COOLER]

| Pos. | Code | Description | Q.ty |
|------|---------|---------------------------------------|---------|
| 1 | C019212 | DIN 6921 M6x20 FLANGED HEAD SCREW | 4.00000 |
| 2 | C021104 | UNI 7473 SELF-LOCKING NUT M6 | 4.00000 |
| 3 | C023110 | UNI 6593 LARGE WASHER M6 - 6,5x18x1,5 | 4.00000 |
| 4 | C030620 | ENGINE WATER COOLER | 1.00000 |
| 5 | C285100 | 5.3-6.3 ENGINE CONVEYOR | 1.00000 |



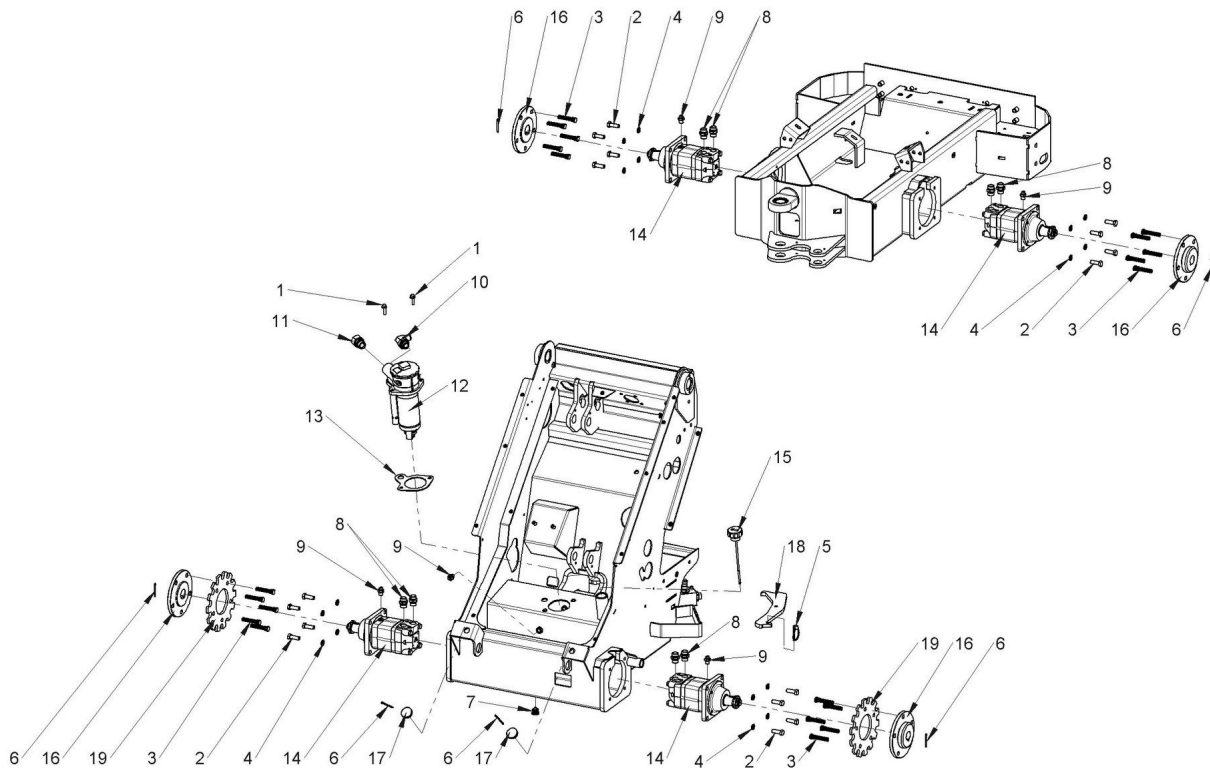
Component list [TAV. 05 OIL COOLER]

| Pos. | Code | Description | Q.ty |
|------|---------|--------------------------------------|---------|
| 1 | C019201 | DIN 6921 M8x16 FLANGED HEAD SCREW | 4.00000 |
| 2 | C019211 | DIN 6921 M6x16 FLANGED HEAD SCREW | 4.00000 |
| 3 | C021104 | UNI 7473 SELF-LOCKING NUT M6 | 4.00000 |
| 4 | C030587 | OIL COOLER FOR MULTIONE S 600 SERIES | 1.00000 |
| 5 | C034001 | 190mm ELECTRIC FAN | 1.00000 |
| 6 | C277316 | S600 M1 4-5 OIL COOLER CONVEYOR | 1.00000 |



Component list [TAV. 06 ARTICULATION]

| Pos. | Code | Description | Q.ty |
|------|---------|---|---------|
| 1 | C019202 | DIN 6921 M8x20 FLANGED HEAD SCREW | 1.00000 |
| 2 | C020227 | UNI 5933 M8x18 HEX SOCKET COUNTERSUNK CAP SCREW | 2.00000 |
| 3 | C021401 | DIN 981 SLOTTED ROUND NUT M35x1,5 KM 7 | 1.00000 |
| 4 | C023041 | M8 NORD LOCK WASHER | 1.00000 |
| 5 | C023116 | UNI 6592 FLAT WASHER M36 - 37x66x5 | 1.00000 |
| 6 | C230166 | FLANGED PIN Ø35 L=73 | 1.00000 |
| 7 | C230270 | PIN Ø35 L=80 W/THREAD M35x1,5 | 1.00000 |
| 8 | C279700 | FRONT FRAME S500/600 M1 4-5 | 1.00000 |
| 9 | C284300 | REAR FRAME M1 4-5 | 1.00000 |



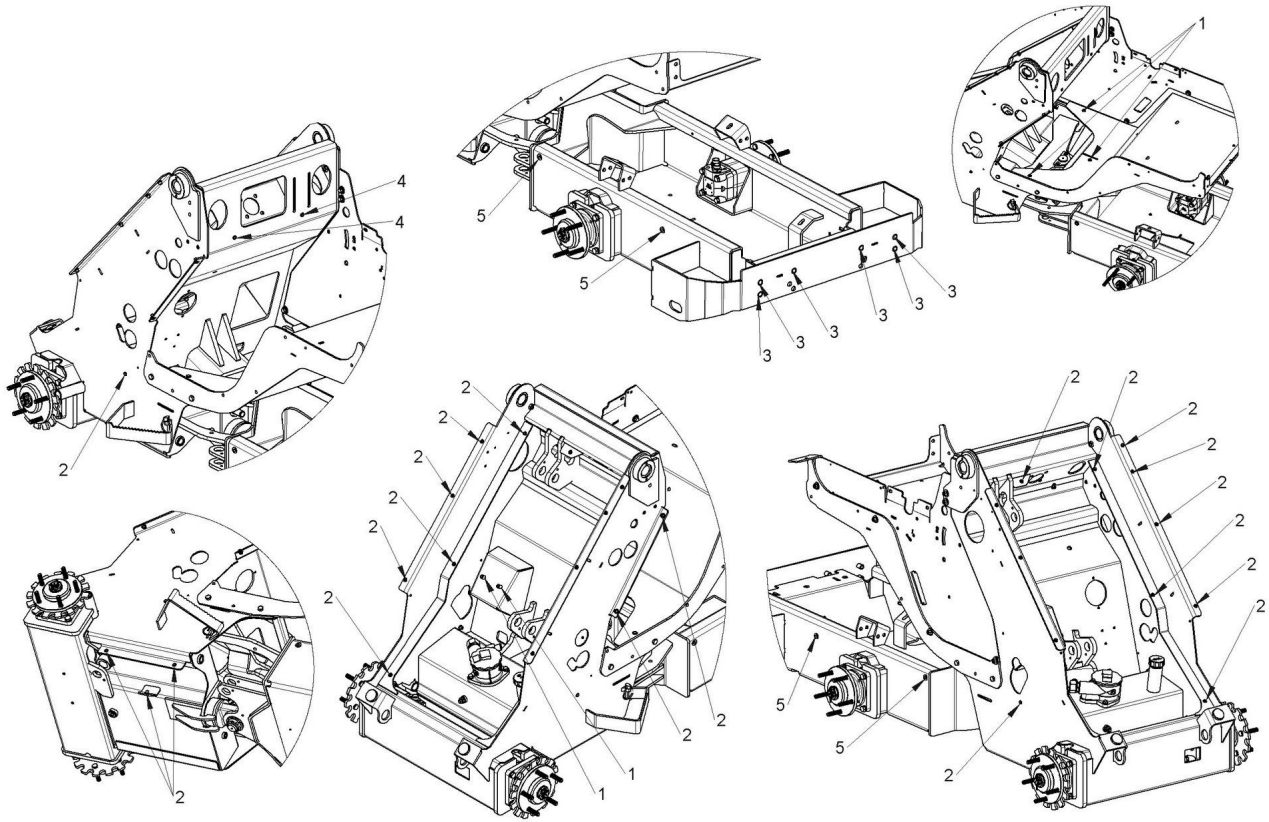
Component list [TAV. 07 WHEEL MOTORS]

| Pos. | Code | Description | Q.ty |
|------|-----------|--|----------|
| 1 | C019204 | DIN 6921 M8x30 FLANGED HEAD SCREW | 2.00000 |
| 2 | C020133 | HEXAGON HEAD BOLT 10.9 M12x35 ISO 4017 | 16.00000 |
| 3 | C020501 | AXLE STUD BOLT M12X1.5X70 ZNB | 20.00000 |
| 4 | C023043 | M12 NORD LOCK WASHER | 16.00000 |
| 5 | C028201 | CLICK PIN Ø6 mm | 1.00000 |
| 6 | C028260 | UNI EN ISO 1234 SPLINT PIN Ø4x40 | 6.00000 |
| 7 | C030610 | MAGNETIC MALE PLUG 1/2" G | 1.00000 |
| 8 | C033003 | MALE-MALE CONNECTOR 1/2" G - 15L | 8.00000 |
| 9 | C033007 | MALE-MALE CONNECTOR 1/4" G - 6L | 5.00000 |
| 10 | C033028 | 90° ELBOW HOSE FITTING SW.M 3/4" G - 3/4" HOSE | 1.00000 |
| 11 | C033062 | STRAIGHT JOINT MALE 3/4" G - SWIVEL FEMALE 22L | 1.00000 |
| 12 | C036628 | COMBINED OIL FILTER H=300 mm | 1.00000 |
| 13 | C036648 | GASKET FOR OIL FILTER C036628 | 1.00000 |
| 14 | C038591 | ORBITAL HYDRAULIC MOTOR 315cc | 4.00000 |
| 15 | C038749 | 1" G PRESSURIZED LEVEL CUP 0.1 bar | 1.00000 |
| 16 | C271812 | HUB FOR ORBITAL WHEEL MOTOR | 4.00000 |
| 17 | C272257/L | INNER SLIDING PAD FOR S/SL TELE BOOM 2009 | 2.00000 |



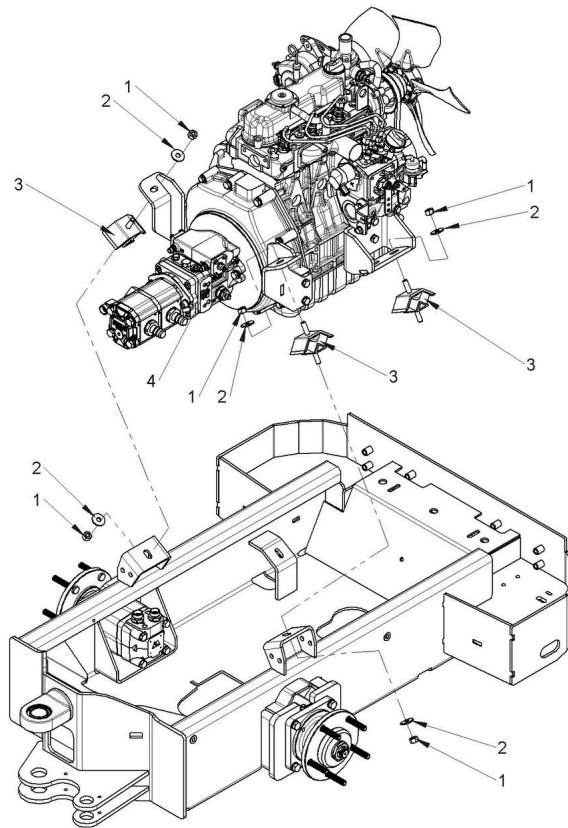
Draft and part list report
Serial n / code M355133 / C977038
Description MULTIONE 5.3K T4F-STAGE5

| | | | |
|----|---------|------------------------|---------|
| 18 | C277305 | ARTICULATION LOCK S600 | 1.00000 |
| 19 | C277306 | BRAKE SPROCKET WHEEL | 2.00000 |



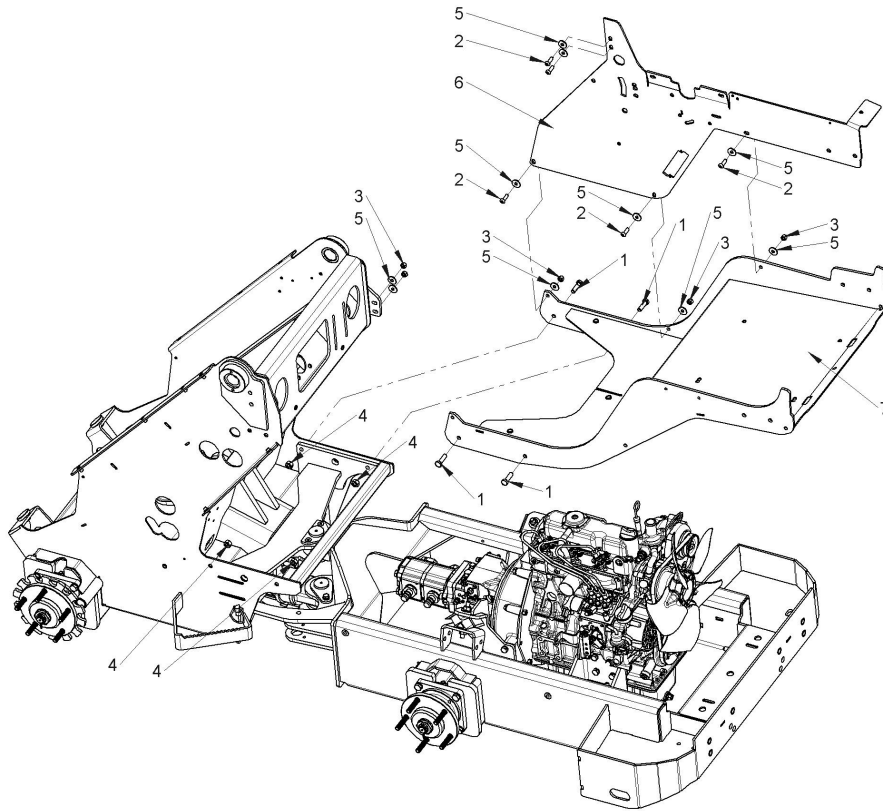
Component list [TAV. 08 THREAD INSERT]

| Pos. | Code | Description | Q.ty |
|------|---------|-------------------|----------|
| 1 | C028270 | THREAD INSERT M8 | 5.00000 |
| 2 | C028271 | THREAD INSERT M6 | 21.00000 |
| 3 | C028274 | THREAD INSERT M12 | 6.00000 |
| 4 | C028291 | THREAD INSERT M6 | 2.00000 |
| 5 | C028298 | THREAD INSERT M8 | 4.00000 |



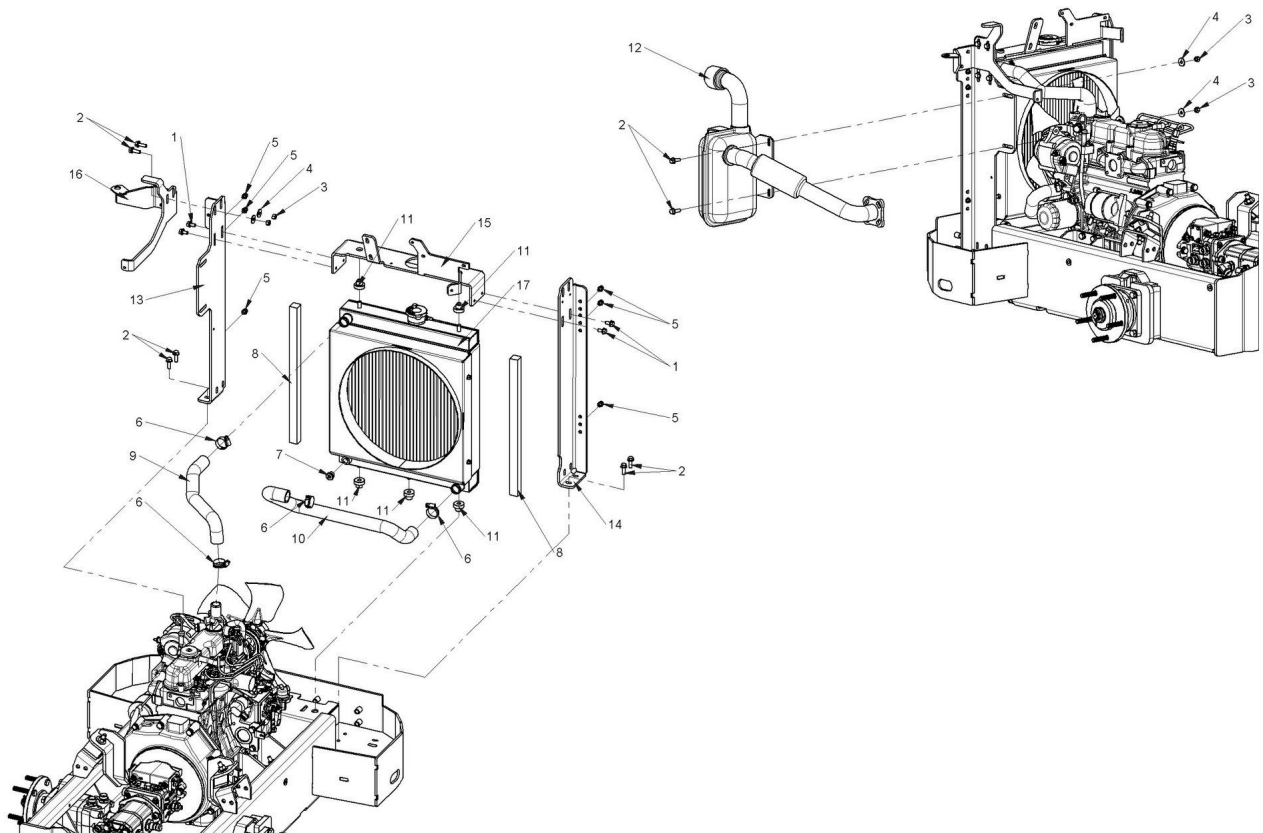
Component list [TAV. 09 ENGINE SILENT BLOCK]

| Pos. | Code | Description | Q.ty |
|------|---------|--|---------|
| 1 | C021503 | SLOTTED AND CASTLE HEXAGON NUTS M10 DIN980 | 8.00000 |
| 2 | C023104 | UNI 6593 LARGE WASHER M10 - 10,5x30x2,5 | 8.00000 |
| 3 | C037406 | SILENT BLOCK VD SMALL 60 | 4.00000 |



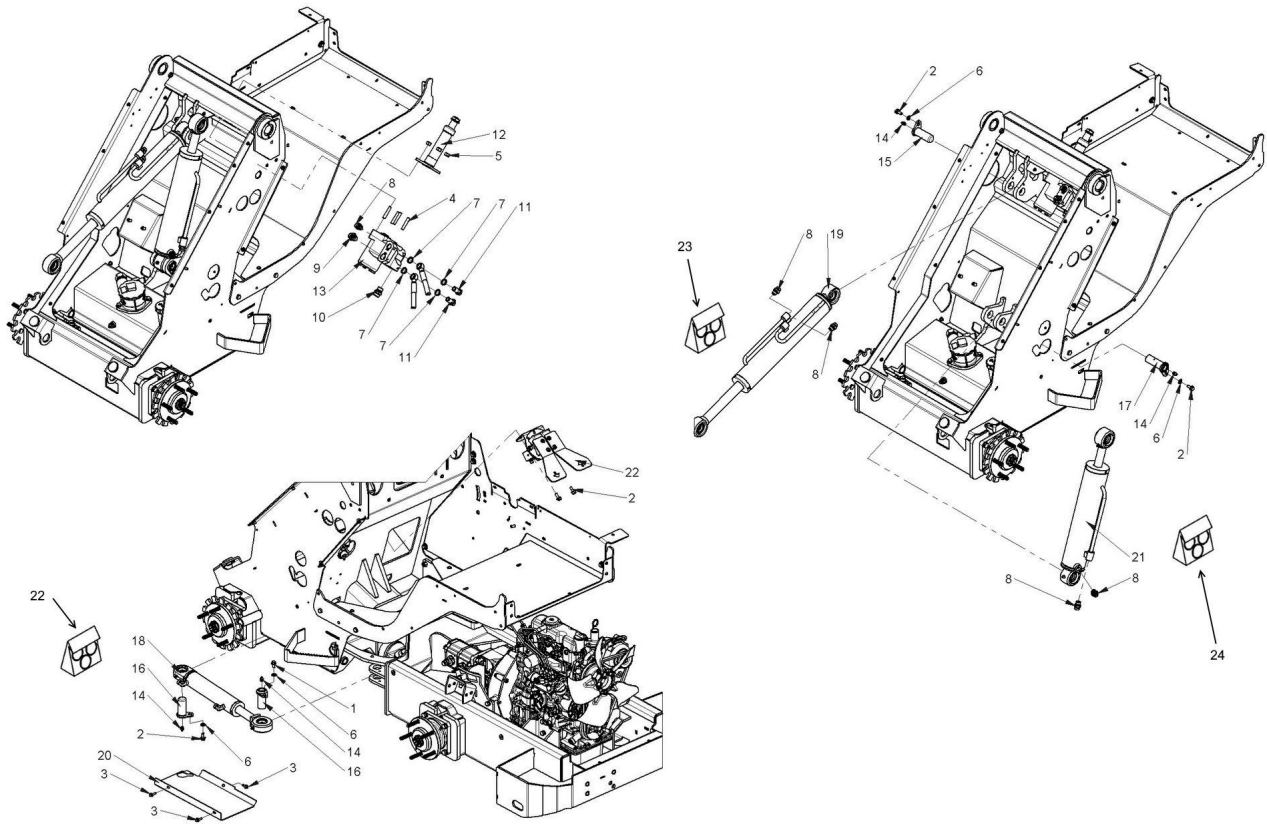
Component list [TAV. 10 RIGHT SIDE AND SEAT SUPPORT]

| Pos. | Code | Description | Q.ty |
|------|---------|--|----------|
| 1 | C020103 | HEXAGON HEAD SCREW M10x35 ISO 4017 | 4.00000 |
| 2 | C020543 | ISO 7380 M8x25 HEX SOCKET OVAL HEAD SCREW | 5.00000 |
| 3 | C021502 | SLOTTED AND CASTLE HEXAGON NUTS M8 DIN980 | 5.00000 |
| 4 | C021503 | SLOTTED AND CASTLE HEXAGON NUTS M10 DIN980 | 4.00000 |
| 5 | C023100 | UNI 6593 LARGE WASHER M8 - 8,5x24x2 | 10.00000 |
| 6 | C277687 | RIGT SIDE HYDRAULIC DISTRIBUTOR SUPPORT | 1.00000 |
| 7 | C285150 | SEAT SUPPORT | 1.00000 |



Component list [TAV. 11 MUFFLER AND ENGINE COOLER]

| Pos. | Code | Description | Q.ty |
|------|---------|---|---------|
| 1 | C019201 | DIN 6921 M8x16 FLANGED HEAD SCREW | 4.00000 |
| 2 | C019203 | DIN 6921 M8x25 FLANGED HEAD SCREW | 8.00000 |
| 3 | C021502 | SLOTTED AND CASTLE HEXAGON NUTS M8 DIN980 | 8.00000 |
| 4 | C023100 | UNI 6593 LARGE WASHER M8 - 8,5x24x2 | 8.00000 |
| 5 | C028291 | THREAD INSERT M6 | 6.00000 |
| 6 | C029032 | STAINLESS STEEL CLAMP 30-45 BELT 12 | 4.00000 |
| 7 | C030381 | MALE PLUG 3/8" G | 1.00000 |
| 8 | C035004 | BLACK ADHESIVE MOUSSE 25X25 | 2.00000 |
| 9 | C035151 | INLET ENGINE COOLER PIPE | 1.00000 |
| 10 | C035180 | LOWER ENGINE COOLER HOSE | 1.00000 |
| 11 | C036017 | ENGINE COOLER DAMPING PAD | 5.00000 |
| 12 | C039218 | 5.3 KUBOTA MUFFLER | 1.00000 |
| 13 | C281634 | RIGHT ENGINE COOLER SUPPORT | 1.00000 |
| 14 | C281636 | LEFT ENGINE COOLER SUPPORT | 1.00000 |
| 15 | C284307 | UPPER ENGINE COOLER SUPPORT | 1.00000 |
| 16 | C284660 | REAR RIGHT PLASTIC COVER SUPPORT | 1.00000 |



Component list [TAV. 12 CYLINDER AND POWER STEERING]

| Pos. | Code | Description | Q.ty |
|------|---------|--|---------|
| 1 | C019201 | DIN 6921 M8x16 FLANGED HEAD SCREW | 1.00000 |
| 2 | C019202 | DIN 6921 M8x20 FLANGED HEAD SCREW | 5.00000 |
| 3 | C019212 | DIN 6921 M6x20 FLANGED HEAD SCREW | 3.00000 |
| 4 | C020551 | THREAD BAR M10X50 | 4.00000 |
| 5 | C021503 | SLOTTED AND CASTLE HEXAGON NUTS M10 DIN980 | 4.00000 |
| 6 | C023041 | M8 NORD LOCK WASHER | 4.00000 |
| 7 | C030547 | 3/8" G BONDED WASHER | 4.00000 |
| 8 | C033001 | MALE-MALE CONNECTOR 3/8" G - 12 L | 5.00000 |
| 9 | C033002 | MALE-MALE CONNECTOR 1/2" G - 12L | 1.00000 |
| 10 | C033003 | MALE-MALE CONNECTOR 1/2" G - 15L | 1.00000 |
| 11 | C033016 | 3/8" G SINGLE PERFORED BOLT | 2.00000 |
| 12 | C038507 | STEERING COLUMN Ø38 L=165 | 1.00000 |
| 13 | C038510 | STEERING UNIT 80 cc | 1.00000 |
| 14 | C090030 | GREASER NIPPLE M10x1 UNI 7663A | 4.00000 |
| 15 | C230162 | FLANGED PIN Ø30 L=76 | 1.00000 |
| 16 | C230164 | FLANGED PIN Ø30 L=66 | 2.00000 |
| 17 | C230849 | FLANGED PIN Ø30 L=84 | 1.00000 |



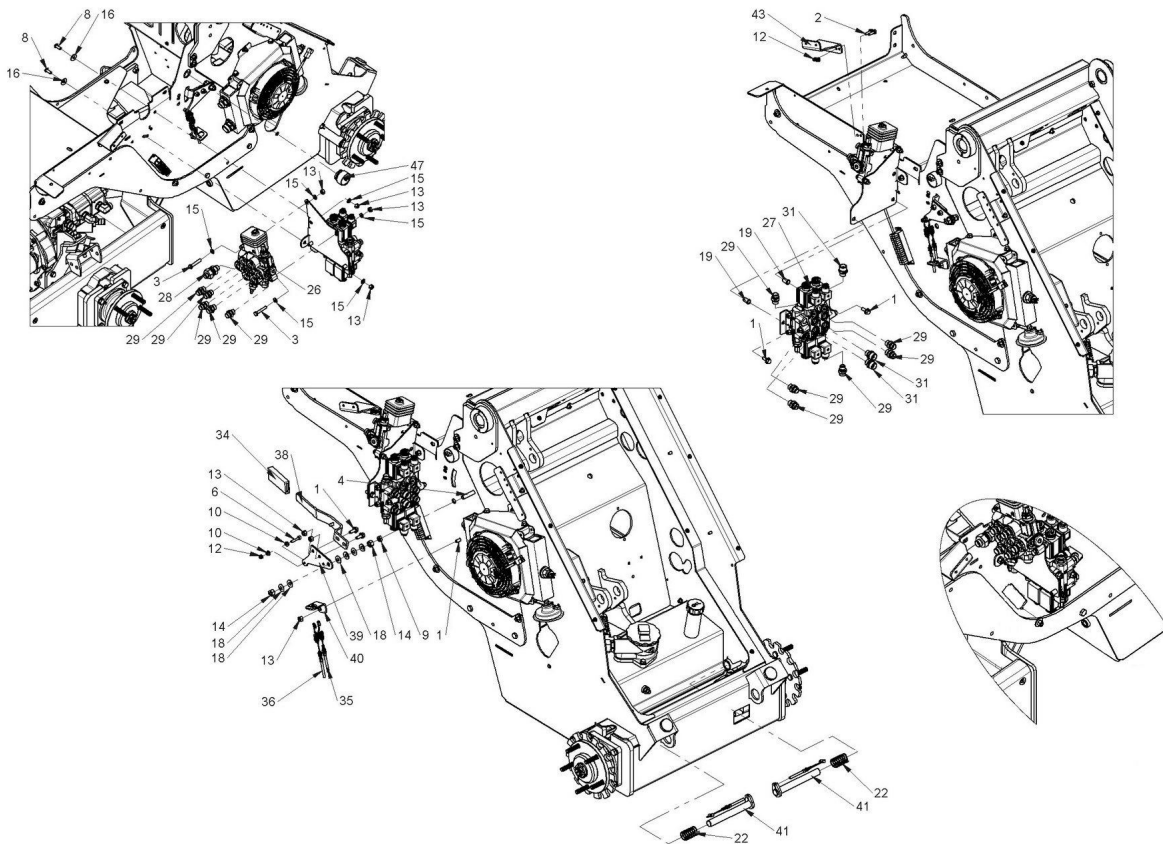
Draft and part list report
Serial n / code M355133 / C977038
Description MULTIONE 5.3K T4F-STAGE5

| | | | |
|----|---------|---|---------|
| 18 | C272070 | STEERING CYLINDER 50-30-187 | 1.00000 |
| 19 | C277345 | LIFTING BOOM CYLINDER 70-35-335 | 1.00000 |
| 20 | C277685 | STEERING CYLINDER PROTECTION PLATE | 1.00000 |
| 21 | C279627 | SELF LEVELLING SLAVE CYLINDER 75-30-220 | 1.00000 |
| 22 | C036805 | SEAL KIT FOR CYLINDER BORE 50 ROD 30 | 1.00000 |
| 23 | C036806 | SEAL KIT FOR CYLINDER BORE 70 ROD 35 | 1.00000 |
| 24 | C036825 | SEAL KIT FOR CYLINDER BORE 75 ROD 30 | 1.00000 |

M1 5.3 K

FRENO E DISTRIBUTORI / HAND BRAKE AND VALVE BANK

Tav. 13



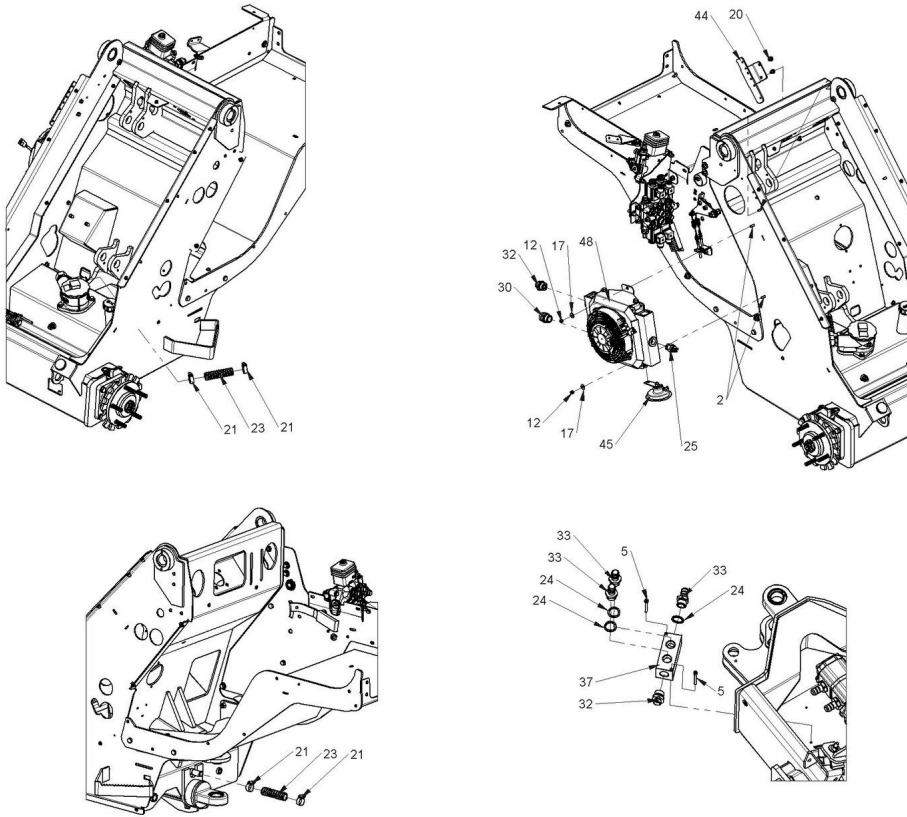
Component list [TAV. 13 HAND BRAKE AND VALVE BANK]

| Pos. | Code | Description | Q.ty |
|------|---------|---|---------|
| 1 | C019202 | DIN 6921 M8x20 FLANGED HEAD SCREW | 5.00000 |
| 2 | C019212 | DIN 6921 M6x20 FLANGED HEAD SCREW | 6.00000 |
| 3 | C020078 | UNI 5739 M8x45 HEX HEAD SCREW | 2.00000 |
| 4 | C020105 | EN ISO 4017 M10x50 HEX HEAD SCREW | 1.00000 |
| 5 | C020211 | UNI EN ISO 4762 M6x55 HEX SOCKET HEAD CAP SCREW | 2.00000 |
| 6 | C020213 | UNI EN ISO 4762 M6x30 HEX SOCKET HEAD CAP SCREW | 1.00000 |
| 8 | C020541 | ISO 7380 M8x20 HEX SOCKET OVAL HEAD SCREW | 2.00000 |
| 9 | C021013 | HEXAGON NUT M10 UNI 5589 | 1.00000 |
| 10 | C021018 | M6 SERPRESS SLOTTED HEX NUT | 2.00000 |
| 12 | C021104 | UNI 7473 SELF-LOCKING NUT M6 | 5.00000 |
| 13 | C021502 | SLOTTED AND CASTLE HEXAGON NUTS M8 DIN980 | 7.00000 |
| 14 | C021503 | SLOTTED AND CASTLE HEXAGON NUTS M10 DIN980 | 2.00000 |
| 15 | C023071 | UNI 6592 FLAT WASHER M8 - 8,4x16x1,6 | 6.00000 |
| 16 | C023100 | UNI 6593 LARGE WASHER M8 - 8,5x24x2 | 2.00000 |
| 17 | C023110 | UNI 6593 LARGE WASHER M6 - 6,5x18x1,5 | 2.00000 |
| 18 | C023200 | DIN 2093 10,2x23x1 CUP SPRING | 6.00000 |
| 19 | C028270 | THREAD INSERT M8 | 2.00000 |



Draft and part list report
Serial n / code M355133 / C977038
Description MULTIONE 5.3K T4F-STAGE5

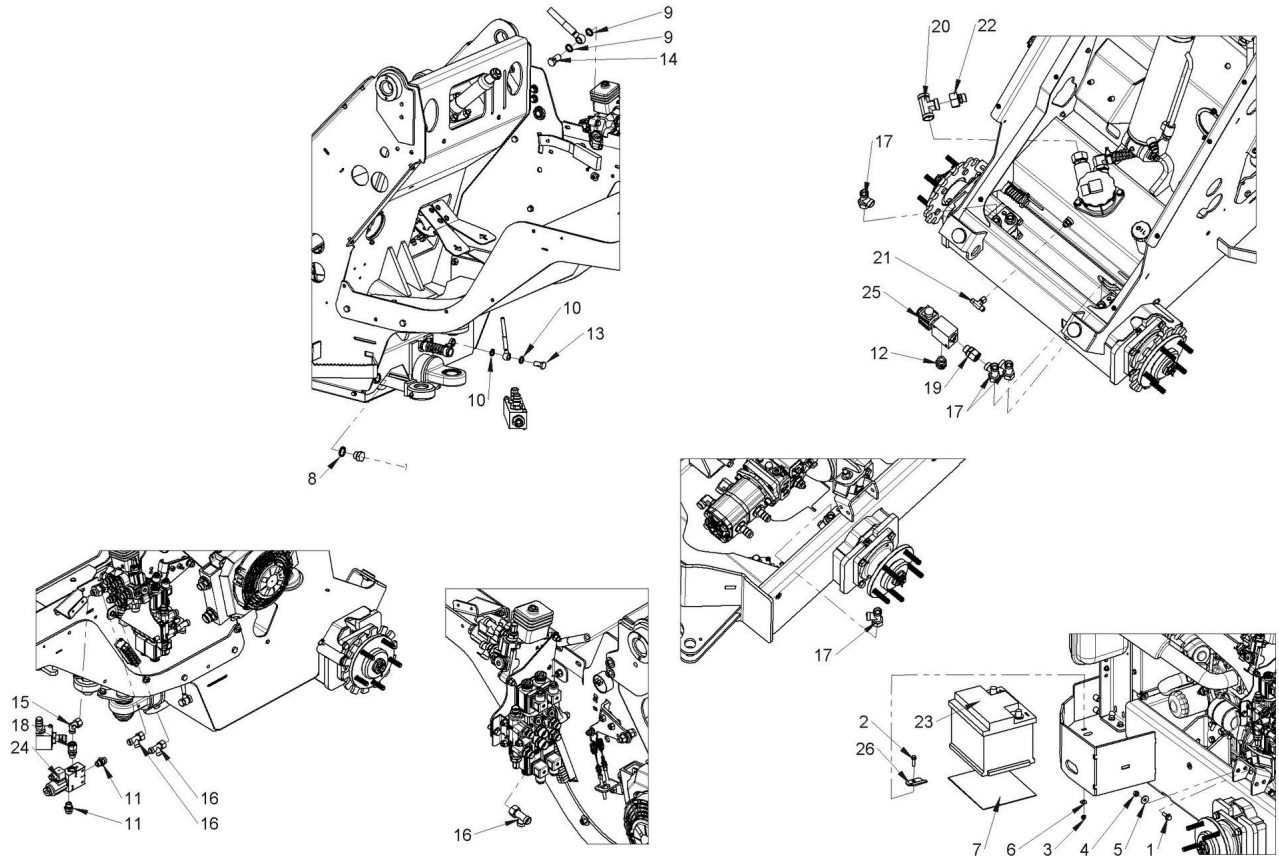
| | | | |
|----|-----------------|--|----------|
| 20 | C028271 | THREAD INSERT M6 | 2.00000 |
| 21 | C029046 | STAINLESS STEEL CLAMP 20-32 BELT 12 | 4.00000 |
| 22 | C029521 | SPRING 29X60X2,2 | 2.00000 |
| 23 | C030102 | OIL SUCTION HOSE Ø19x28 | 2.00000 |
| 24 | C030543 | 3/4" G BONDED WASHER | 3.00000 |
| 25 | C030606 | THERMOSWITCH 50-60° M22x1,5 | 1.00000 |
| 26 | C030770 | 2 MANUAL SECTION HYDRAULIC DISTRIBUTOR | 1.00000 |
| 27 | C030771 | 2 ELECTRIC SECTION HYDRAULIC DISTRIBUTOR | 1.00000 |
| 28 | C030988 | ONE WAY VALVE 3/8" G - 12L | 1.00000 |
| 29 | C033001 | MALE-MALE CONNECTOR 3/8" G - 12 L | 11.00000 |
| 30 | C033004 | MALE-MALE CONNECTOR 3/4" G - 22L | 1.00000 |
| 31 | C033010 | MALE-MALE CONNECTOR 3/8" G - 15L | 3.00000 |
| 32 | C033020 | MALE-MALE CONNECTOR 3/4" G - 15L | 2.00000 |
| 33 | C033300 | STRAIGHT HOSE CONNECTOR 3/4" G F - 3/4" HOSE | 3.00000 |
| 34 | C035020 | GUM HANDLE 30X5 | 1.00000 |
| 35 | C038706 | LEFT SIDE HAND BRAKE WIRE | 1.00000 |
| 36 | C038707 | RIGHT SIDE HAND BRAKE WIRE | 1.00000 |
| 37 | C261112 | M1 5.3K OIL SUCTION COLLECTOR | 1.00000 |
| 38 | C272054 | HAND BRAKE LEVER, INNER SIDE | 1.00000 |
| 39 | C272057 | HAND BRAKE LEVER, EXTERNAL SIDE | 1.00000 |
| 40 | C277287 | WIRE BRAKE HOLDER | 1.00000 |
| 41 | C277313 | Ø20 L=175 BRAKE PIN | 2.00000 |
| 42 | C277738 | HYDRAULIC DISTRIBUTOR SUPPORT | 1.00000 |
| 43 | C284375 | HAND THROTTLE LEVER SUPPORT | 1.00000 |
| 44 | C284380 | RELAYS SUPPORT | 1.00000 |
| 45 | C038166 | HORN DEVICE | 1.00000 |
| 47 | FF180/0034.0161 | ALLARM BUZZER | 1.00000 |



Component list [TAV. 14 OIL COOLER AND SUCTION COLLECTOR]

| Pos. | Code | Description | Q.ty |
|------|---------|---|---------|
| 1 | C019202 | DIN 6921 M8x20 FLANGED HEAD SCREW | 5.00000 |
| 2 | C019212 | DIN 6921 M6x20 FLANGED HEAD SCREW | 6.00000 |
| 3 | C020078 | UNI 5739 M8x45 HEX HEAD SCREW | 2.00000 |
| 4 | C020105 | EN ISO 4017 M10x50 HEX HEAD SCREW | 1.00000 |
| 5 | C020211 | UNI EN ISO 4762 M6x55 HEX SOCKET HEAD CAP SCREW | 2.00000 |
| 6 | C020213 | UNI EN ISO 4762 M6x30 HEX SOCKET HEAD CAP SCREW | 1.00000 |
| 7 | C020282 | UNI 7687 M4x12 CIL HEAD CROSS PHILLIPS SCREW | 2.00000 |
| 8 | C020541 | ISO 7380 M8x20 HEX SOCKET OVAL HEAD SCREW | 2.00000 |
| 9 | C021013 | HEXAGON NUT M10 UNI 5589 | 1.00000 |
| 10 | C021018 | M6 SERPRESS SLOTTED HEX NUT | 2.00000 |
| 11 | C021103 | UNI 7473 SELF-LOCKING NUT M4 | 2.00000 |
| 12 | C021104 | UNI 7473 SELF-LOCKING NUT M6 | 5.00000 |
| 13 | C021502 | SLOTTED AND CASTLE HEXAGON NUTS M8 DIN980 | 7.00000 |
| 14 | C021503 | SLOTTED AND CASTLE HEXAGON NUTS M10 DIN980 | 2.00000 |
| 15 | C023071 | UNI 6592 FLAT WASHER M8 - 8,4x16x1,6 | 6.00000 |
| 16 | C023100 | UNI 6593 LARGE WASHER M8 - 8,5x24x2 | 2.00000 |
| 17 | C023110 | UNI 6593 LARGE WASHER M6 - 6,5x18x1,5 | 2.00000 |

| | | | |
|----|-----------------|--|----------|
| 18 | C023200 | DIN 2093 10,2x23x1 CUP SPRING | 6.00000 |
| 19 | C028270 | THREAD INSERT M8 | 2.00000 |
| 20 | C028271 | THREAD INSERT M6 | 2.00000 |
| 21 | C029046 | STAINLESS STEEL CLAMP 20-32 BELT 12 | 4.00000 |
| 22 | C029521 | SPRING 29X60X2,2 | 2.00000 |
| 23 | C030102 | OIL SUCTION HOSE Ø19x28 | 2.00000 |
| 24 | C030543 | 3/4" G BONDED WASHER | 3.00000 |
| 25 | C030606 | THERMOSWITCH 50-60° M22x1,5 | 1.00000 |
| 26 | C030770 | 2 MANUAL SECTION HYDRAULIC DISTRIBUTOR | 1.00000 |
| 27 | C030771 | 2 ELECTRIC SECTION HYDRAULIC DISTRIBUTOR | 1.00000 |
| 28 | C030988 | ONE WAY VALVE 3/8" G - 12L | 1.00000 |
| 29 | C033001 | MALE-MALE CONNECTOR 3/8" G - 12 L | 11.00000 |
| 30 | C033004 | MALE-MALE CONNECTOR 3/4" G - 22L | 1.00000 |
| 31 | C033010 | MALE-MALE CONNECTOR 3/8" G - 15L | 3.00000 |
| 32 | C033020 | MALE-MALE CONNECTOR 3/4" G - 15L | 2.00000 |
| 33 | C033300 | STRAIGHT HOSE CONNECTOR 3/4" G F - 3/4" HOSE | 3.00000 |
| 34 | C035020 | GUM HANDLE 30X5 | 1.00000 |
| 35 | C038706 | LEFT SIDE HAND BRAKE WIRE | 1.00000 |
| 36 | C038707 | RIGHT SIDE HAND BRAKE WIRE | 1.00000 |
| 37 | C261112 | M1 5.3K OIL SUCTION COLLECTOR | 1.00000 |
| 38 | C272054 | HAND BRAKE LEVER, INNER SIDE | 1.00000 |
| 39 | C272057 | HAND BRAKE LEVER, EXTERNAL SIDE | 1.00000 |
| 40 | C277287 | WIRE BRAKE HOLDER | 1.00000 |
| 41 | C277313 | Ø20 L=175 BRAKE PIN | 2.00000 |
| 42 | C277738 | HYDRAULIC DISTRIBUTOR SUPPORT | 1.00000 |
| 43 | C284375 | HAND THROTTLE LEVER SUPPORT | 1.00000 |
| 44 | C284380 | RELAYS SUPPORT | 1.00000 |
| 45 | C038166 | HORN DEVICE | 1.00000 |
| 46 | FF180/AK 67111 | FUSE BOX | 1.00000 |
| 47 | FF180/0034.0161 | ALLARM BUZZER | 1.00000 |



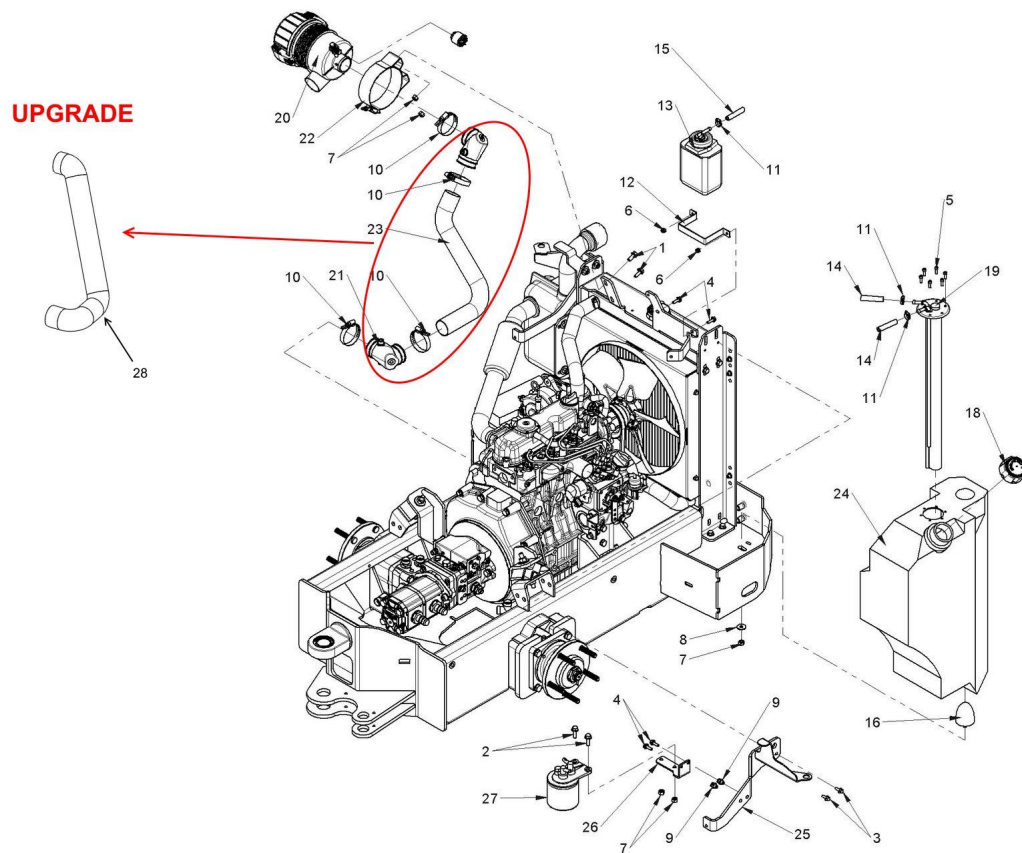
Component list [TAV. 15 BATTERY AND FITTINGS]

| Pos. | Code | Description | Q.ty |
|------|---------|---|---------|
| 1 | C019203 | DIN 6921 M8x25 FLANGED HEAD SCREW | 1.00000 |
| 2 | C019213 | DIN 6921 M6x25 FLANGED HEAD SCREW | 1.00000 |
| 3 | C021104 | UNI 7473 SELF-LOCKING NUT M6 | 1.00000 |
| 4 | C021502 | SLOTTED AND CASTLE HEXAGON NUTS M8 DIN980 | 1.00000 |
| 5 | C023100 | UNI 6593 LARGE WASHER M8 - 8,5x24x2 | 1.00000 |
| 6 | C023110 | UNI 6593 LARGE WASHER M6 - 6,5x18x1,5 | 1.00000 |
| 7 | C029253 | SILENT BLOCK RUBBER PANNEL 210x175x3 | 1.00000 |
| 8 | C030542 | 1/2" G BONDED WASHER | 1.00000 |
| 9 | C030547 | 3/8" G BONDED WASHER | 2.00000 |
| 10 | C030548 | 1/4" G BONDED WASHER | 2.00000 |
| 11 | C033001 | MALE-MALE CONNECTOR 3/8" G - 12 L | 2.00000 |
| 12 | C033003 | MALE-MALE CONNECTOR 1/2" G - 15L | 1.00000 |
| 13 | C033015 | 1/4" G SINGLE PERFORED BOLT | 1.00000 |
| 14 | C033016 | 3/8" G SINGLE PERFORED BOLT | 1.00000 |
| 15 | C033024 | 90° ELBOW SW. F 12L - M 12L | 1.00000 |
| 16 | C033032 | TEE FITTING SW.F-M-M 12L | 3.00000 |
| 17 | C033035 | TEE FITTING SW.F-M-M 15L | 4.00000 |



Draft and part list report
Serial n / code M355133 / C977038
Description MULTIONE 5.3K T4F-STAGE5

| | | | |
|----|---------|---------------------------------------|---------|
| 18 | C033046 | STRAIGHT FITTING M 3/8" G - SW.F 12L | 1.00000 |
| 19 | C033057 | STRAIGHT FITTING M 1/2" G - SW.F 15L | 1.00000 |
| 20 | C033078 | TEE FITTING M-M-M 22L | 1.00000 |
| 21 | C033081 | TEE FITTING M-SW.F-M 6L | 1.00000 |
| 22 | C033160 | ADAPTER F22L - M15L | 1.00000 |
| 23 | C036433 | BATTERY 12V 44 AH | 1.00000 |
| 24 | C036621 | ELECTROVALVE 3 WAY 3/8 G COIL 12V DC | 1.00000 |
| 25 | C036622 | ELECTROVALVE 2 WAY 1/2" G COIL 12V DC | 1.00000 |
| 26 | C277108 | BATTERY BRACKET | 1.00000 |



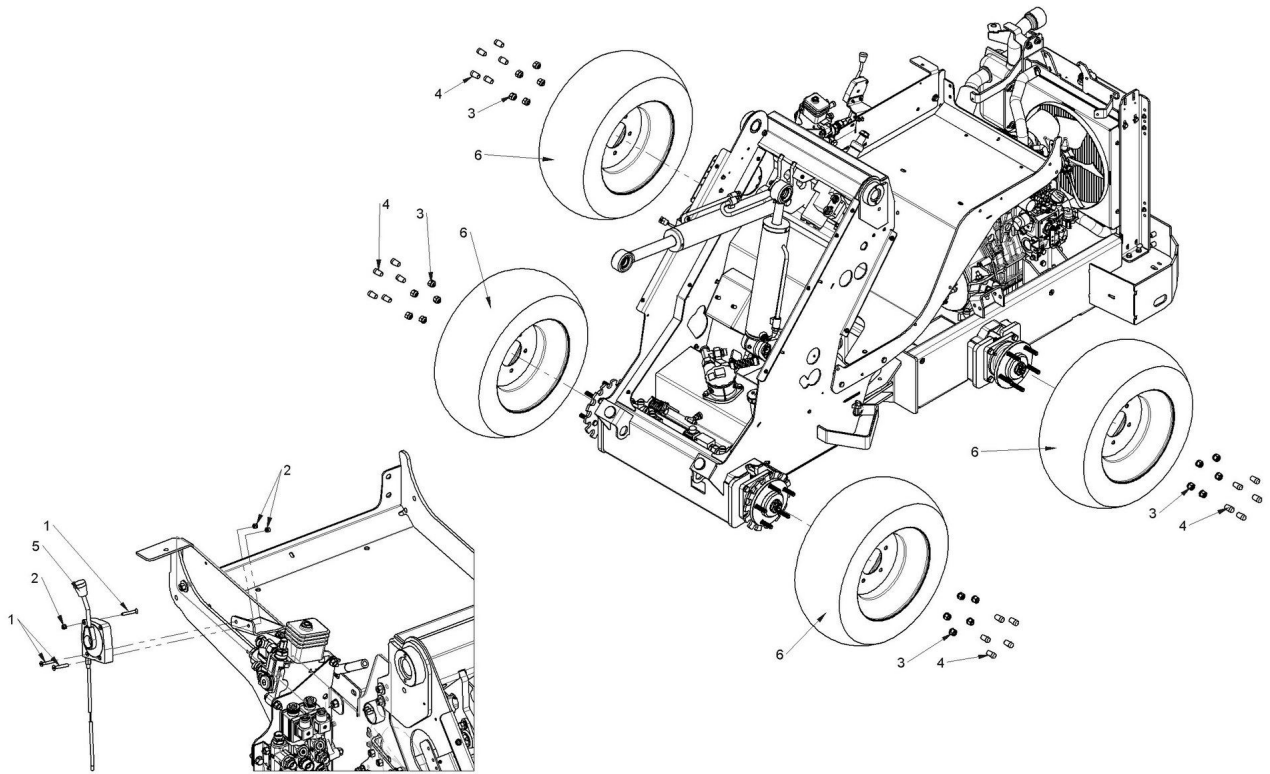
Component list [TAV. 16 AIR FILTER AND FUEL TANK]

| Pos. | Code | Description | Q.ty |
|------|---------|---|---------|
| 1 | C019202 | DIN 6921 M8x20 FLANGED HEAD SCREW | 2.00000 |
| 2 | C019203 | DIN 6921 M8x25 FLANGED HEAD SCREW | 2.00000 |
| 3 | C019211 | DIN 6921 M6x16 FLANGED HEAD SCREW | 2.00000 |
| 4 | C019212 | DIN 6921 M6x20 FLANGED HEAD SCREW | 4.00000 |
| 5 | C020036 | UNI EN ISO 4762 M5X16 HEX SOCKET HEAD CAP SCREW | 6.00000 |
| 6 | C021104 | UNI 7473 SELF-LOCKING NUT M6 | 2.00000 |
| 7 | C021502 | SLOTTED AND CASTLE HEXAGON NUTS M8 DIN980 | 5.00000 |
| 8 | C023100 | UNI 6593 LARGE WASHER M8 - 8,5x24x2 | 1.00000 |
| 9 | C028291 | THREAD INSERT M6 | 2.00000 |
| 10 | C029031 | STAINLESS STEEL CLAMP 40-60 BELT 12 | 4.00000 |
| 11 | C029038 | STEEL BAND 10-16 | 3.00000 |
| 12 | C034090 | COOLANT TANK BRACKET | 1.00000 |
| 13 | C034091 | COOLANT TANK | 1.00000 |
| 14 | C035003 | FUEL HOSE 7x13 | 2.00000 |
| 15 | C035018 | WATER HOSE 7x12 | 1.00000 |
| 16 | C035139 | SILENT BLOCK T-50 Ø50 H=58 M8x20 MALE THREAD | 1.00000 |
| 17 | C036654 | AIR FILTER PRESSURE SWITCH | 1.00000 |



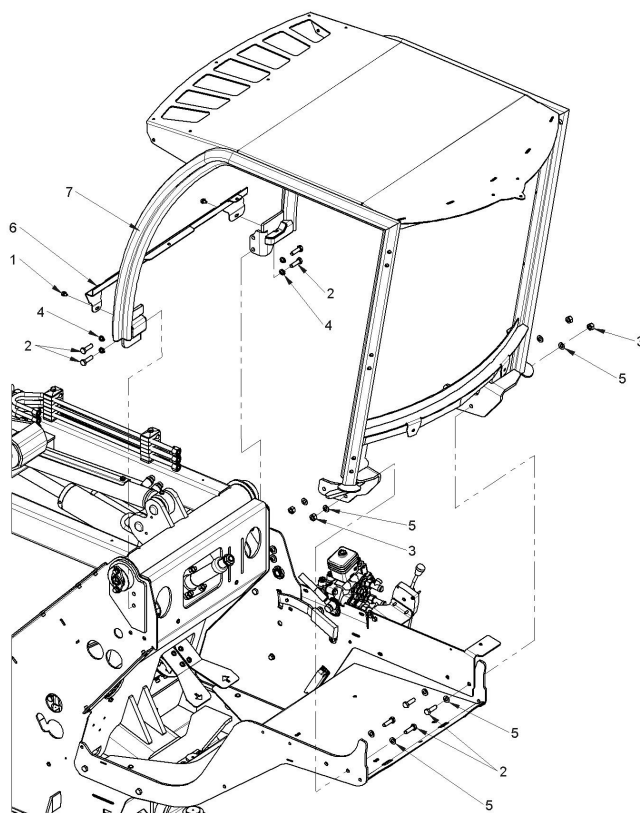
Draft and part list report
Serial n / code M355133 / C977038
Description MULTIONE 5.3K T4F-STAGE5

| | | | |
|----|--------------------|------------------------------------|---------|
| 18 | C038723 | FUEL CUP, NO KEY | 1.00000 |
| 19 | C038758 | FLOATING FUEL SENSOR L=515 | 1.00000 |
| 20 | C039054 | 4" AIR FILTER BODY | 1.00000 |
| 21 | C039148 | 90° AIR PIPE 4" FILTER / F-F Ø44 | 2.00000 |
| 22 | C039151 | METAL BELT FOR 4" AIR FILTER | 1.00000 |
| 23 | C039217 | INLET PIPE KUBOTA | 1.00000 |
| 24 | C220489 | 24 LT FUEL TANK | 1.00000 |
| 25 | C284665 | RIGHT SIDE PLASTIC COVER SUPPORT | 1.00000 |
| 26 | C285291 | FUEL FILTER SUPPORT | 1.00000 |
| 27 | FF162/15224-4301-3 | KUBOTA D1305 V1505 COMPLETE FILTER | 1.00000 |
| 28 | C036063 | AIR INTAKE RUBBER HOSE D1305 | 1.00000 |



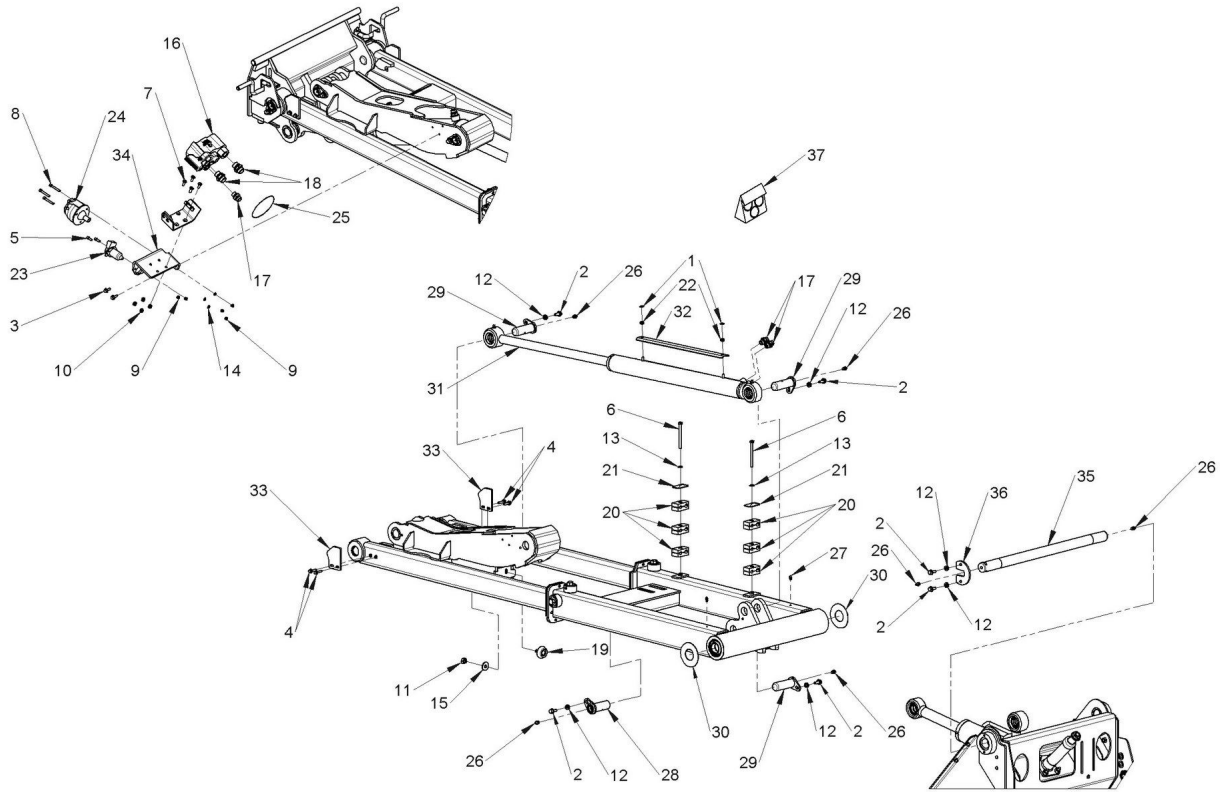
Component list [TAV. 17 WHEELS AND THROTTLE]

| Pos. | Code | Description | Q.ty |
|------|---------|---|----------|
| 1 | C020291 | UNI 5933 M5x35 HEX SOCKET COUNTERSUNK CAP SCREW | 3.00000 |
| 2 | C021102 | UNI 7473 SELF-LOCKING NUT M5 | 3.00000 |
| 3 | C021133 | ROUNDED NUT M12X1.5 CH19 ZN | 20.00000 |
| 4 | C028051 | BLUE RUBBER CAP FOR TUBE 12x25 | 20.00000 |
| 5 | C038714 | HAND THROTTLE LEVER AND CABLE | 1.00000 |
| 6 | C040050 | 23X8.50-12 TRACTOR LOADER WHEEL ETO | 4.00000 |



Component list [TAV. 18 ROLLBAR]

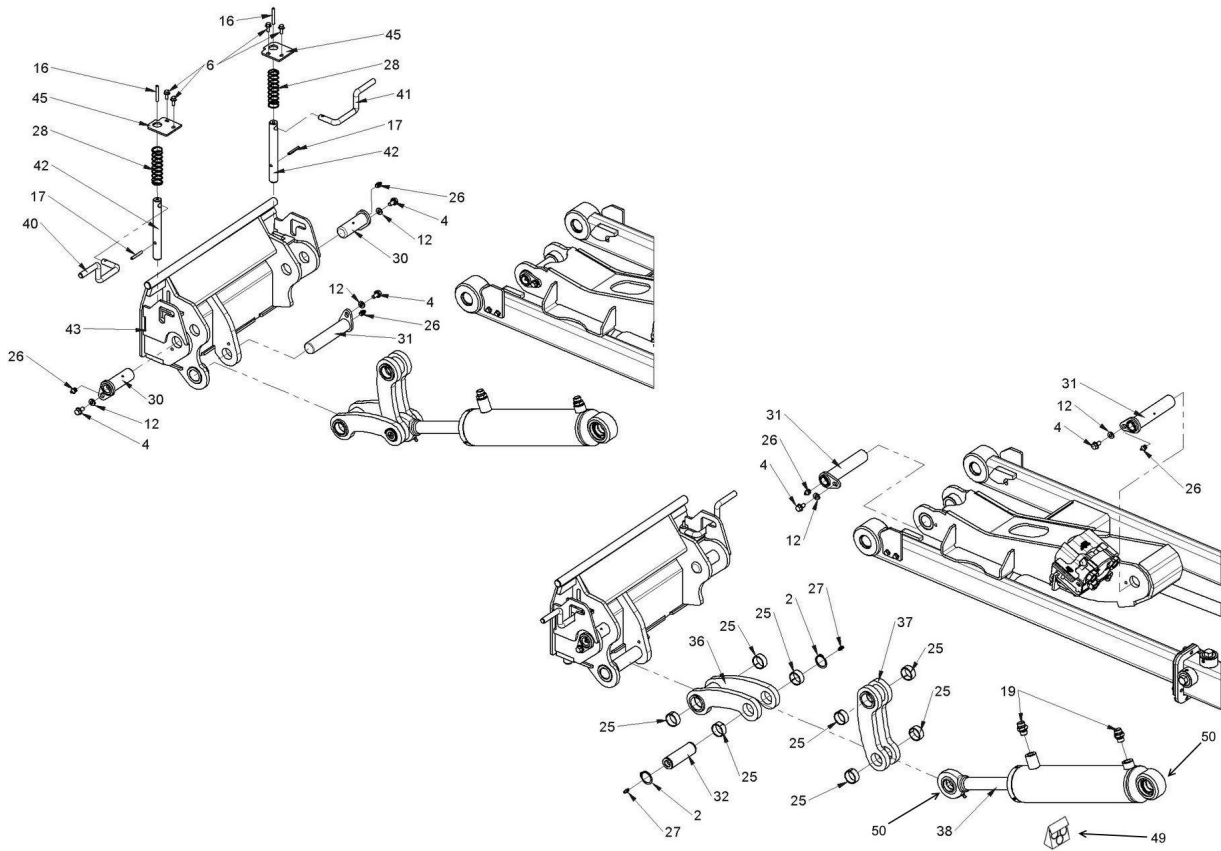
| Pos. | Code | Description | Q.ty |
|------|---------|--|---------|
| 1 | C019210 | DIN 6921 M6x10 FLANGED HEAD SCREW | 2.00000 |
| 2 | C020103 | HEXAGON HEAD SCREW M10x35 ISO 4017 | 8.00000 |
| 3 | C021503 | SLOTTED AND CASTLE HEXAGON NUTS M10 DIN980 | 4.00000 |
| 4 | C023042 | M10 NORD LOCK WASHER | 4.00000 |
| 5 | C023080 | UNI 6592 FLAT WASHER M10 - 10,5x20x2 | 8.00000 |
| 6 | C277315 | FRONT DASHBOARD SUPPORT | 1.00000 |
| 7 | C285160 | ROLLBAR | 1.00000 |



Component list [TAV. 19 BOOM AND MULTICOUPLING]

| Pos. | Code | Description | Q.ty |
|------|---------|---|---------|
| 1 | C018326 | RETAINING RING Ø6 | 2.00000 |
| 2 | C019202 | DIN 6921 M8x20 FLANGED HEAD SCREW | 6.00000 |
| 3 | C019211 | DIN 6921 M6x16 FLANGED HEAD SCREW | 2.00000 |
| 4 | C019213 | DIN 6921 M6x25 FLANGED HEAD SCREW | 4.00000 |
| 5 | C020036 | UNI EN ISO 4762 M5x16 HEX SOCKET HEAD CAP SCREW | 2.00000 |
| 6 | C020082 | UNI 5739 M8x90 HEX HEAD SCREW | 2.00000 |
| 7 | C020187 | UNI 5933 M6x20 HEX SOCKET COUNTERSUNK CAP SCREW | 4.00000 |
| 8 | C020267 | UNI EN ISO 4762 M5x40 HEX SOCKET HEAD CAP SCREW | 3.00000 |
| 9 | C021102 | UNI 7473 SELF-LOCKING NUT M5 | 5.00000 |
| 10 | C021104 | UNI 7473 SELF-LOCKING NUT M6 | 4.00000 |
| 11 | C021503 | SLOTTED AND CASTLE HEXAGON NUTS M10 DIN980 | 1.00000 |
| 12 | C023041 | M8 NORD LOCK WASHER | 6.00000 |
| 13 | C023071 | UNI 6592 FLAT WASHER M8 - 8,4x16x1,6 | 2.00000 |
| 14 | C023072 | UNI 6592 FLAT WASHER M5 - 5,3x10x1 | 3.00000 |
| 15 | C023104 | UNI 6593 LARGE WASHER M10 - 10,5x30x2,5 | 1.00000 |
| 16 | C030497 | HYDRAULIC MULTICONNECTOR, MACHINE 3 WAY | 1.00000 |
| 17 | C033001 | MALE-MALE CONNECTOR 3/8" G - 12 L | 3.00000 |

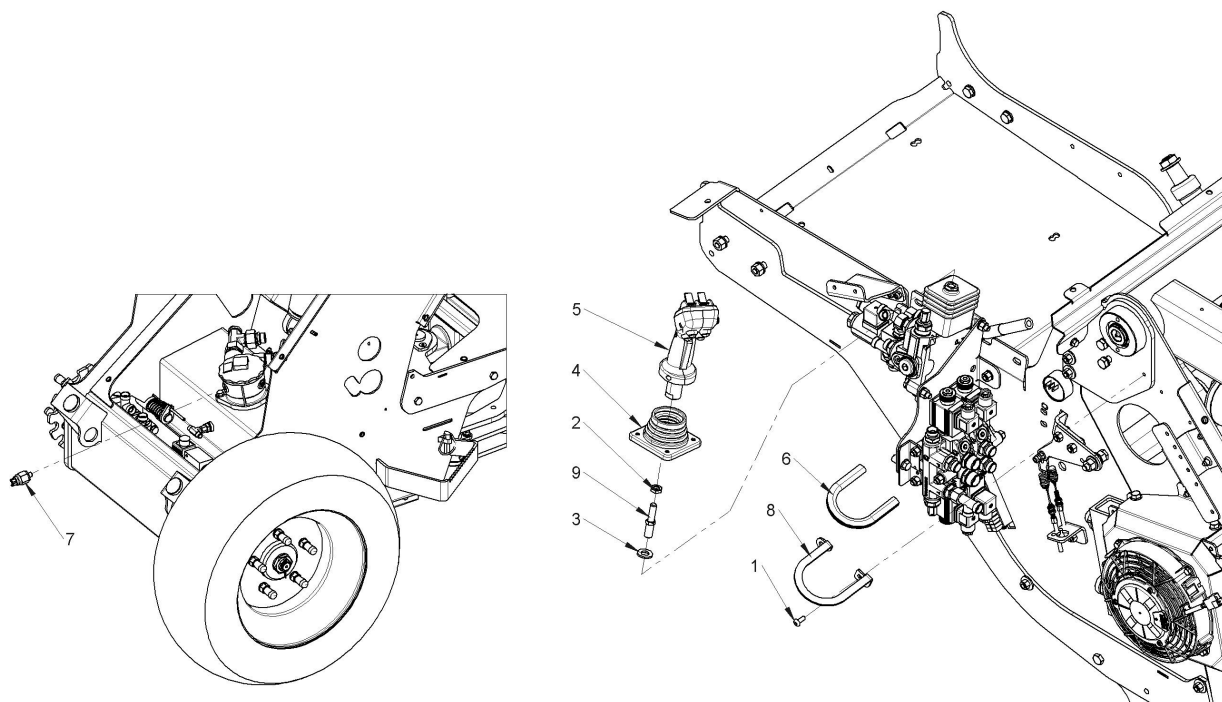
| | | | |
|----|---------|--|---------|
| 18 | C033003 | MALE-MALE CONNECTOR 1/2" G - 15L | 2.00000 |
| 19 | C035078 | RUBBER END | 1.00000 |
| 20 | C035119 | DOUBLE HOSE BARCKET, Ø12 AND Ø15 | 6.00000 |
| 21 | C035140 | UPPER PLATE FOR DOUBLE HOSE HOLDER | 2.00000 |
| 22 | C036006 | FAIRLEAD Ø6x9x20 TH. 2mm | 2.00000 |
| 23 | C036431 | 12V 3 POLES FEMALE SOCKET | 1.00000 |
| 24 | C038193 | 7 POLES SOCKET, MACHINE SIDE | 1.00000 |
| 25 | C038772 | LATCH | 1.00000 |
| 26 | C090030 | GREASER NIPPLE M10x1 UNI 7663A | 6.00000 |
| 27 | C090032 | GREASER M6x1 UNI 7663A | 2.00000 |
| 28 | C230162 | FLANGED PIN Ø30 L=76 | 1.00000 |
| 29 | C230849 | FLANGED PIN Ø30 L=84 | 3.00000 |
| 30 | C274024 | Ø88-Ø40,5 TH 1,5 SPACER | 2.00000 |
| 31 | C277348 | CYLINDER 50-30-550 BOOM EXTENSION | 1.00000 |
| 32 | C279632 | HOSE HOLDER PLATE | 1.00000 |
| 33 | C284346 | LAMA DI AGGANCIO PIASTRA | 2.00000 |
| 34 | C284397 | FRONT OUTLET SUPPORT | 1.00000 |
| 35 | C285904 | SPINA Ø35x619 SENZA FLANGIA M1 4/5 | 1.00000 |
| 36 | C285905 | LAMIERA FERMO SPINA DEL BRACCIO M1 4/5 | 1.00000 |
| 37 | C036805 | SEAL KIT FOR CYLINDER BORE 50 ROD 30 | 1.00000 |



Component list [TAV. 20 COUPLING PLATE]

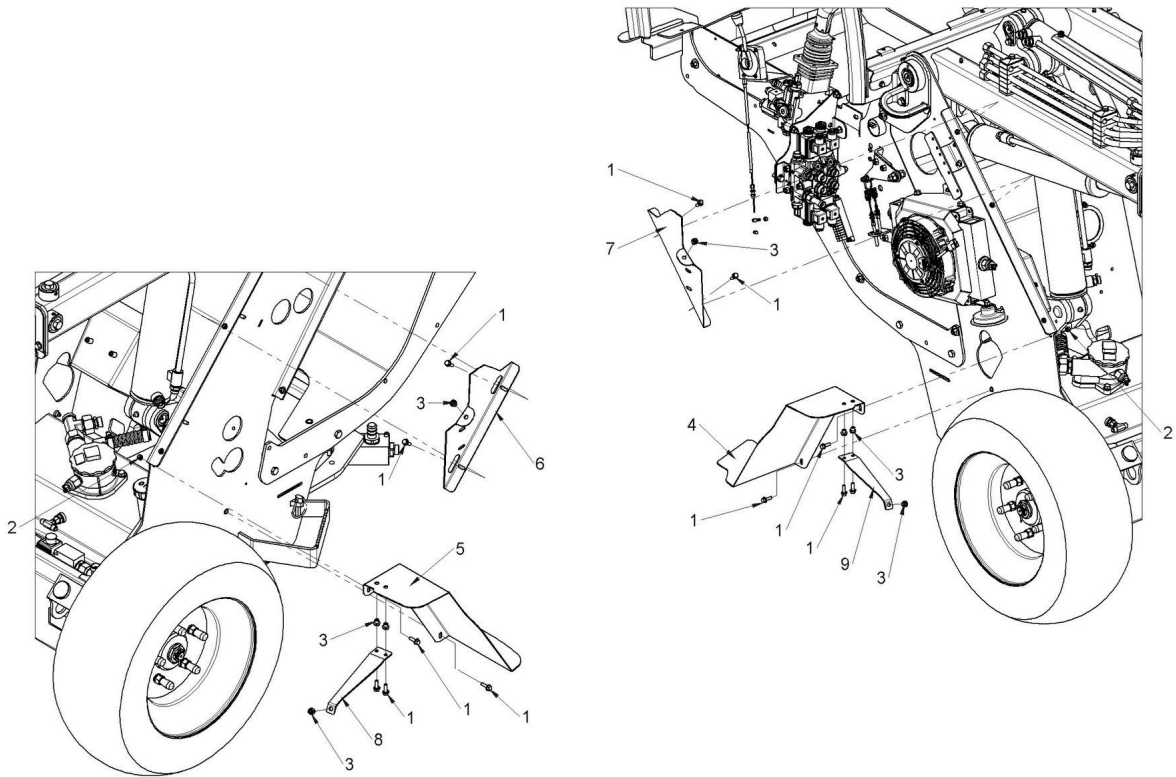
| Pos. | Code | Description | Q.ty |
|------|---------|---|----------|
| 1 | C018316 | UNI 7435 Ø35 SHAFT RATAINING RING | 1.00000 |
| 2 | C018317 | UNI 7435 Ø30 SHAFT RATAINING RING | 2.00000 |
| 3 | C018326 | RETAINING RING Ø6 | 2.00000 |
| 4 | C019201 | DIN 6921 M8x16 FLANGED HEAD SCREW | 11.00000 |
| 5 | C019204 | DIN 6921 M8x30 FLANGED HEAD SCREW | 4.00000 |
| 6 | C019211 | DIN 6921 M6x16 FLANGED HEAD SCREW | 6.00000 |
| 7 | C019213 | DIN 6921 M6x25 FLANGED HEAD SCREW | 4.00000 |
| 8 | C020036 | UNI EN ISO 4762 M5X16 HEX SOCKET HEAD CAP SCREW | 4.00000 |
| 9 | C020082 | UNI 5739 M8x90 HEX HEAD SCREW | 2.00000 |
| 10 | C021102 | UNI 7473 SELF-LOCKING NUT M5 | 4.00000 |
| 11 | C021503 | SLOTTED AND CASTLE HEXAGON NUTS M10 DIN980 | 1.00000 |
| 12 | C023041 | M8 NORD LOCK WASHER | 11.00000 |
| 13 | C023071 | UNI 6592 FLAT WASHER M8 - 8,4x16x1,6 | 2.00000 |
| 14 | C023090 | UNI 6592 FLAT WASHER M6 - 6,4x12x1,6 | 2.00000 |
| 15 | C023104 | UNI 6593 LARGE WASHER M10 - 10,5x30x2,5 | 1.00000 |
| 16 | C028249 | ISO 2338 PIN Ø6x45 | 2.00000 |
| 17 | C028267 | SPRING TYPE STRAIGHT PIN Ø6x40 UNI 6875 | 2.00000 |

| | | | |
|----|-----------|--|----------|
| 18 | C028291 | THREAD INSERT M6 | 4.00000 |
| 19 | C033001 | MALE-MALE CONNECTOR 3/8" G - 12 L | 4.00000 |
| 20 | C035078 | RUBBER END | 1.00000 |
| 21 | C035119 | DOUBLE HOSE BARCKET, Ø12 AND Ø15 | 12.00000 |
| 22 | C035140 | UPPER PLATE FOR DOUBLE HOSE HOLDER | 2.00000 |
| 23 | C036006 | FAIRLEAD Ø6x9x20 TH. 2mm | 2.00000 |
| 24 | C036431 | 12V 3 POLES FEMALE SOCKET | 2.00000 |
| 25 | C037610 | SLIDING SLEEVE Ø30x34x15 | 8.00000 |
| 26 | C090030 | GREASER NIPPLE M10x1 UNI 7663A | 11.00000 |
| 27 | C090032 | GREASER M6x1 UNI 7663A | 2.00000 |
| 28 | C220330 | COMPRESSION SPRING | 2.00000 |
| 29 | C230162 | FLANGED PIN Ø30 L=76 | 1.00000 |
| 30 | C230849 | FLANGED PIN Ø30 L=84 | 5.00000 |
| 31 | C271577 | PIN S500/600(3RD GEN) İ30 L=142 V.N.I. | 3.00000 |
| 32 | C271594 | PIN İ30 L=95 FOR BOOM S500-S600 3RD GEN | 1.00000 |
| 33 | C274024 | Ø88-Ø40,5 TH 1,5 SPACER | 2.00000 |
| 34 | C277348 | CYLINDER 50-30-550 BOOM EXTENSION | 1.00000 |
| 35 | C277360 | S600/500 BOOM PIN, UPPER | 1.00000 |
| 36 | C279604 | LARGE LEVER TOOLPLATE SPIN 3RD GEN | 1.00000 |
| 37 | C279616 | TIGHT LEVER TOOLPLATE SPIN | 1.00000 |
| 38 | C279621 | TILT PLATE CYLINDER S500/S600 3RD GENERATION | 1.00000 |
| 39 | C279632 | HOSE HOLDER PLATE | 1.00000 |
| 40 | C281827 | LEFT LEVER, COUPLING PLATE | 1.00000 |
| 41 | C281869 | RIGHT LEVER, COUPLING PLATE | 1.00000 |
| 42 | C281870/L | LOCKIN ATTACHMENTS PIN | 2.00000 |
| 43 | C284342 | COUPLING PLATE FOR S500-S600 3RD GEN | 1.00000 |
| 44 | C284346 | LAMA DI AGGANCIO PIASTRA | 2.00000 |
| 45 | C284347 | LOCKING PLATE | 2.00000 |
| 46 | C284397 | FRONT OUTLET SUPPORT | 1.00000 |
| 48 | C030497 | HYDRAULIC MULTICONNECTOR, MACHINE 3 WAY | 1.00000 |
| 49 | C036825 | SEAL KIT FOR CYLINDER BORE 75 ROD 30 | 1.00000 |
| 50 | C037643 | GE 30 ES 2RS RADIAL BALL JOINT | 1.00000 |



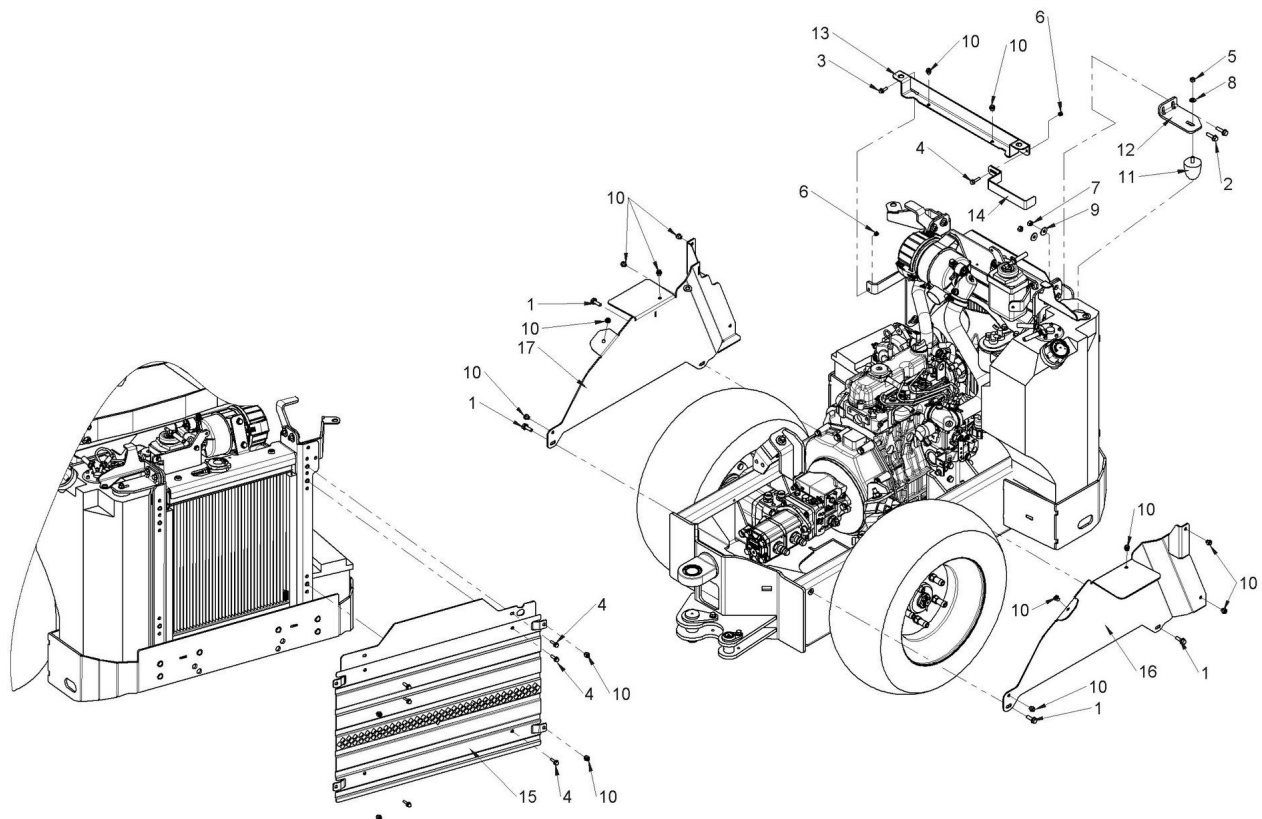
Component list [TAV. 22 JOYSTICK]

| Pos. | Code | Description | Q.ty |
|------|---------|--|---------|
| 1 | C020145 | ISO 7380 M6x16 HEX SOCKET OVAL HEAD SCREW | 1.00000 |
| 2 | C021013 | HEXAGON NUT M10 UNI 5589 | 1.00000 |
| 3 | C023102 | UNI 6592 FLAT WASHER M12 - 13x24x2,5 | 1.00000 |
| 4 | C028056 | JOYSTICK RUBBER PROTECTION | 1.00000 |
| 5 | C030658 | JOYSTICK HANDLE W/7POLES+TWIN PTO | 1.00000 |
| 6 | C035002 | RUBBER PROFILE 10X14 | 1.00000 |
| 7 | C036651 | PRESSURE SWITCH 1/8" GAS | 1.00000 |
| 8 | C277288 | HOSE HOLDER JUMPER SHAPE | 1.00000 |
| 9 | C278928 | PERNO ZINCATO FISSAGGIO JOYSTICK PER S630+ | 1.00000 |



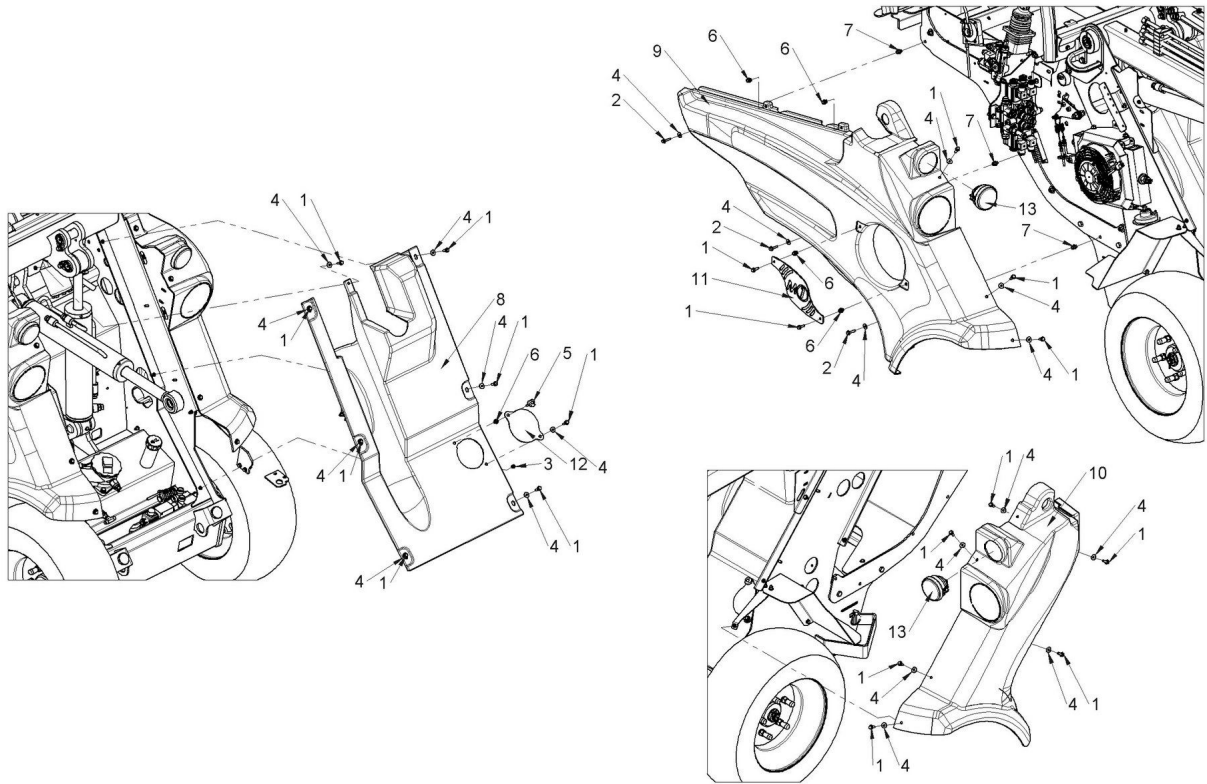
Component list [TAV. 23 FRONT MUDGUARD]

| Pos. | Code | Description | Q.ty |
|------|---------|---|----------|
| 1 | C019212 | DIN 6921 M6x20 FLANGED HEAD SCREW | 12.00000 |
| 2 | C021104 | UNI 7473 SELF-LOCKING NUT M6 | 2.00000 |
| 3 | C028271 | THREAD INSERT M6 | 8.00000 |
| 4 | C277275 | FRONT RIGHT MUDGUARD FOR S600 | 1.00000 |
| 5 | C277276 | FRONT LEFT MUDGUARD FOR S600 | 1.00000 |
| 6 | C277837 | LEFT WORKING LIGHT SUPPORT S500-S600 | 1.00000 |
| 7 | C277839 | RIGHT WORKING LIGHT SUPPORT S500-S600 S500-S600 | 1.00000 |
| 8 | C284393 | SUPPORTO ANTERIORE SX TERMOFORMATO | 1.00000 |
| 9 | C284394 | SUPPORTO ANTERIORE DX TERMOFORMATO | 1.00000 |



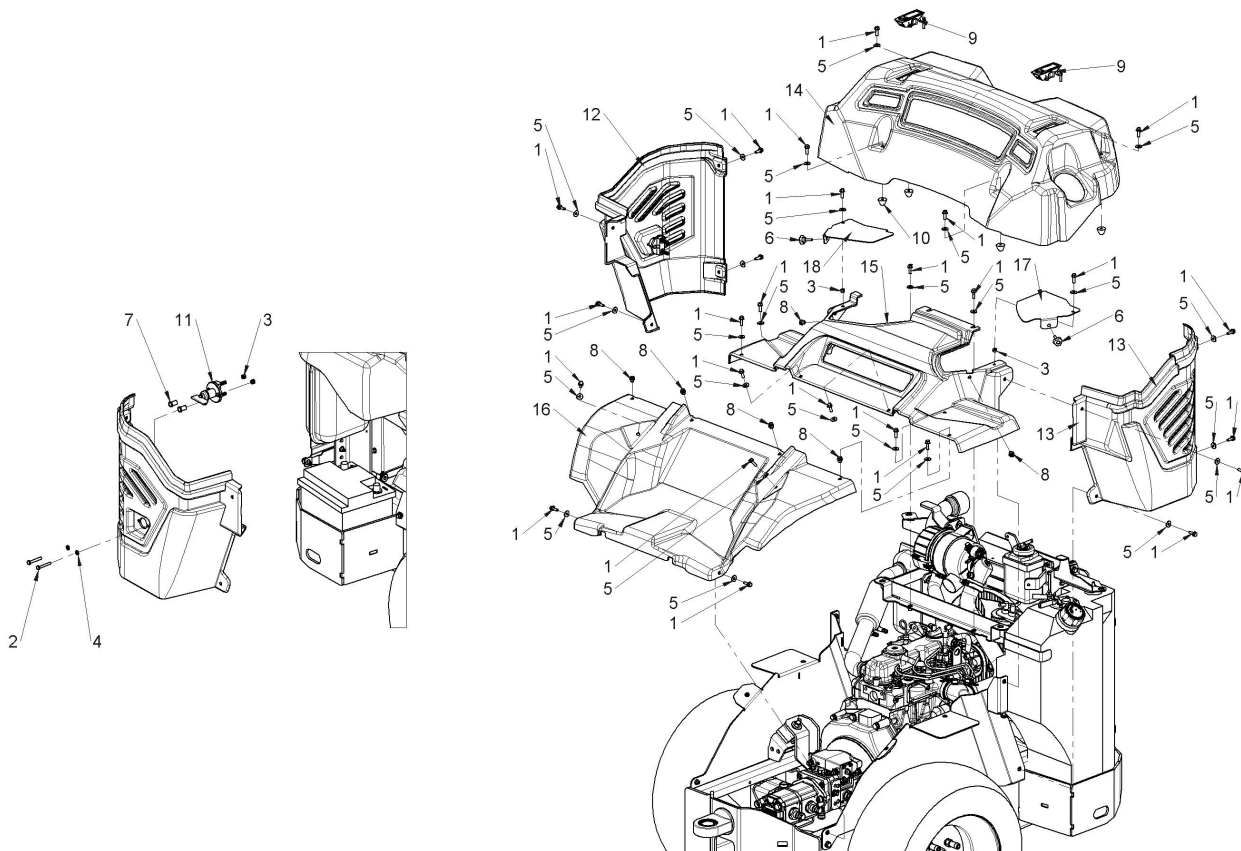
Component list [TAV. 24 REAR SUPPORT]

| Pos. | Code | Description | Q.ty |
|------|---------|--|----------|
| 1 | C019203 | DIN 6921 M8x25 FLANGED HEAD SCREW | 4.00000 |
| 2 | C019204 | DIN 6921 M8x30 FLANGED HEAD SCREW | 2.00000 |
| 3 | C019212 | DIN 6921 M6x20 FLANGED HEAD SCREW | 1.00000 |
| 4 | C019213 | DIN 6921 M6x25 FLANGED HEAD SCREW | 7.00000 |
| 5 | C021010 | NUT E 6S M8 UNI 5588 | 1.00000 |
| 6 | C021104 | UNI 7473 SELF-LOCKING NUT M6 | 2.00000 |
| 7 | C021502 | SLOTTED AND CASTLE HEXAGON NUTS M8 DIN980 | 2.00000 |
| 8 | C023041 | M8 NORD LOCK WASHER | 1.00000 |
| 9 | C023100 | UNI 6593 LARGE WASHER M8 - 8,5x24x2 | 2.00000 |
| 10 | C028271 | THREAD INSERT M6 | 16.00000 |
| 11 | C035139 | SILENT BLOCK T-50 Ø50 H=58 M8x20 MALE THREAD | 1.00000 |
| 12 | C281642 | DIESEL TANK LOCKER | 1.00000 |
| 13 | C282276 | CENTRAL COVER SUPPORT | 1.00000 |
| 14 | C282353 | DIESEL TANK BRACKET | 1.00000 |
| 15 | C283067 | RADIATOR NET | 1.00000 |
| 16 | C284315 | ASSIEME FIANCO POST SX SMONTABILE REV.03 | 1.00000 |
| 17 | C284318 | REAR RIGHT REMOVABLE SIDE | 1.00000 |



Component list [TAV. 25 FRONT COVER]

| Pos. | Code | Description | Q.ty |
|------|-----------------------|---|----------|
| 1 | C019212 | DIN 6921 M6x20 FLANGED HEAD SCREW | 19.00000 |
| 2 | C019213 | DIN 6921 M6x25 FLANGED HEAD SCREW | 3.00000 |
| 3 | C021104 | UNI 7473 SELF-LOCKING NUT M6 | 1.00000 |
| 4 | C023110 | UNI 6593 LARGE WASHER M6 - 6,5x18x1,5 | 20.00000 |
| 5 | C028024 | THREE-LOBED LOWERED HANDWHEEL WITH M6x20 THREADED PIN | 1.00000 |
| 6 | C028271 | THREAD INSERT M6 | 5.00000 |
| 7 | C028291 | THREAD INSERT M6 | 3.00000 |
| 8 | C041403P | PE BLUE UNDER BOOM COVER M1 4-5 | 1.00000 |
| 9 | C041406P | PE FRONT RIGHT ROAD LIGHT MUDGUARD (DIRECTION ARROW=WORK LIGHT) | 1.00000 |
| 10 | C041407P | PE FRONT LEFT ROAD LIGHT MUDGUARD (DIRECTION ARROW=WORK LIGHT) | 1.00000 |
| 11 | C284320 | COOLER FAN COVER | 1.00000 |
| 12 | C284374 | SPORTELLO ISPEZIONE OLIO IDRAULICO | 1.00000 |
| 13 | FF180/05.0697.0000.03 | FRONT WORKING LIGHT, HALOGEN | 2.00000 |



Component list [TAV. 26 REAR COVER]

| Pos. | Code | Description | Q.ty |
|------|----------|---|----------|
| 1 | C019212 | DIN 6921 M6x20 FLANGED HEAD SCREW | 27.00000 |
| 2 | C020055 | UNI 5739 M6x40 HEX HEAD SCREW | 2.00000 |
| 3 | C021104 | UNI 7473 SELF-LOCKING NUT M6 | 4.00000 |
| 4 | C023090 | UNI 6592 FLAT WASHER M6 - 6,4x12x1,6 | 2.00000 |
| 5 | C023110 | UNI 6593 LARGE WASHER M6 - 6,5x18x1,5 | 26.00000 |
| 6 | C028024 | THREE-LOBED LOWERED HANDWHEEL WITH M6x20 THREADED PIN | 2.00000 |
| 7 | C028270 | THREAD INSERT M8 | 2.00000 |
| 8 | C028271 | THREAD INSERT M6 | 6.00000 |
| 9 | C035045 | LOCK HANDLE | 2.00000 |
| 10 | C035142 | PARABOLIC SILENT BLOCK ĩ24 H=16 | 4.00000 |
| 11 | C036100 | 100A BATTERY DISCONNECTOR | 1.00000 |
| 12 | C041450P | PE REAR RIGHT SIDE | 1.00000 |
| 13 | C041451P | PE REAR LEFT SIDE | 1.00000 |
| 14 | C041473P | PE M1 4 5 6 OVER ENGINE COVER ASSY | 1.00000 |
| 15 | C041634P | ASSY OVER PUMPS HOOD W/NET M1 4-5 | 1.00000 |
| 16 | C041553P | PE M1 4-5 OVER ARTICULATION COVER | 1.00000 |
| 17 | C284314 | DIP STICK ACCES DOOR | 1.00000 |

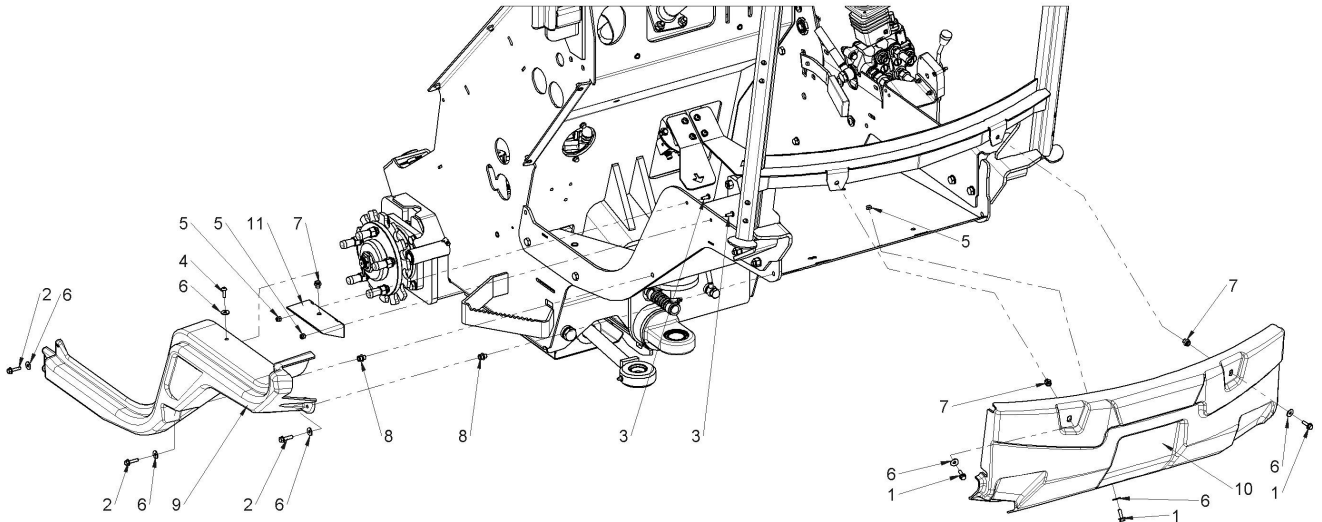


Draft and part list report
Serial n / code M355133 / C977038
Description MULTIONE 5.3K T4F-STAGE5

18 C285112

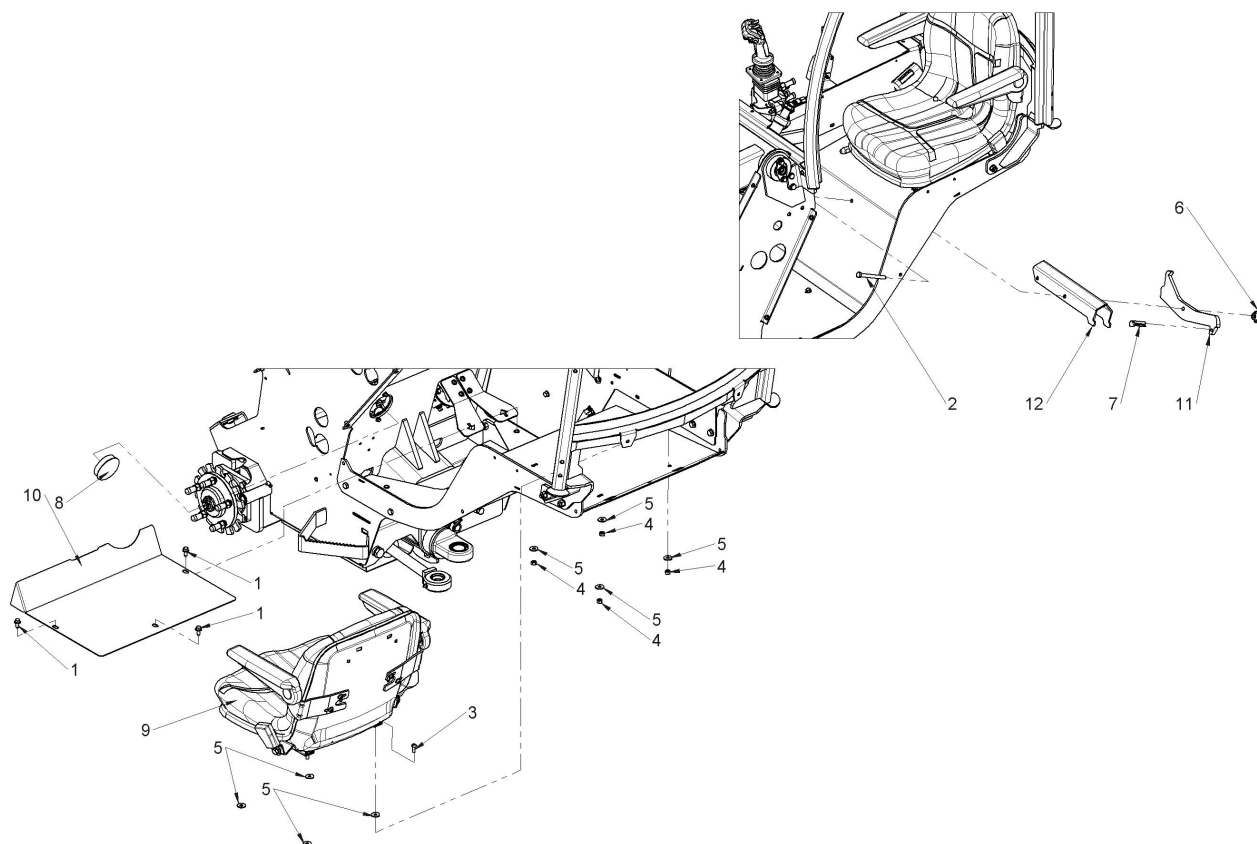
OIL INSPECTION DOOR

1.00000



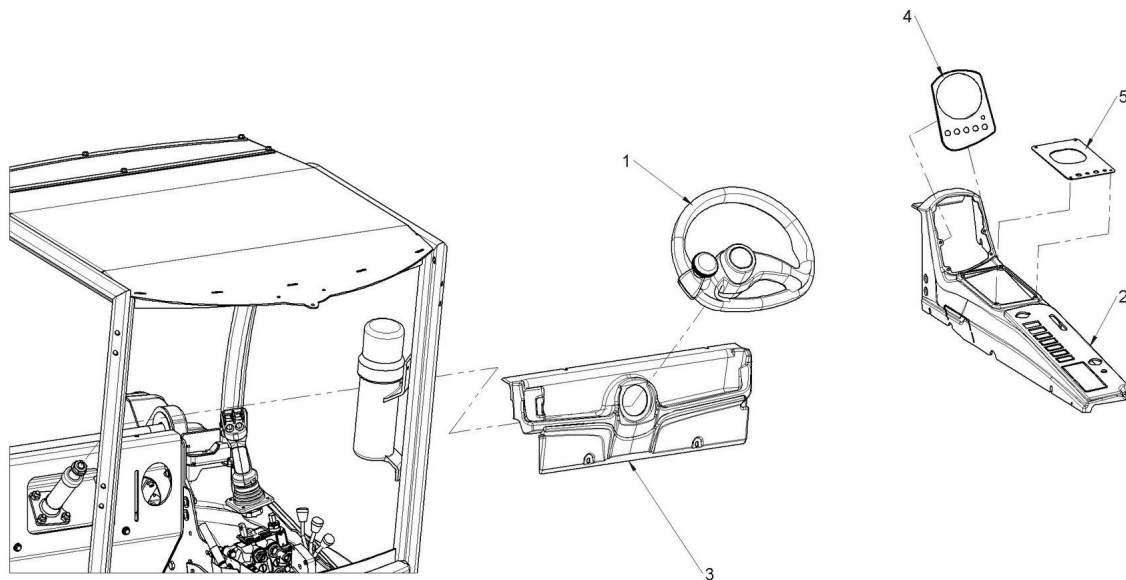
Component list [TAV. 27 CABIN COVERS]

| Pos. | Code | Description | Q.ty |
|------|----------|---|---------|
| 1 | C019212 | DIN 6921 M6x20 FLANGED HEAD SCREW | 3.00000 |
| 2 | C019213 | DIN 6921 M6x25 FLANGED HEAD SCREW | 3.00000 |
| 3 | C020145 | ISO 7380 M6x16 HEX SOCKET OVAL HEAD SCREW | 2.00000 |
| 4 | C020548 | ISO 7380 M6x20 HEX SOCKET OVAL HEAD SCREW | 1.00000 |
| 5 | C021104 | UNI 7473 SELF-LOCKING NUT M6 | 3.00000 |
| 6 | C023110 | UNI 6593 LARGE WASHER M6 - 6,5x18x1,5 | 7.00000 |
| 7 | C028271 | THREAD INSERT M6 | 3.00000 |
| 8 | C028291 | THREAD INSERT M6 | 2.00000 |
| 9 | C041261P | PE BLUE FRONT LEFT SIDE DOOR OUTLINE M1 4-5 | 1.00000 |
| 10 | C041550P | PE BACK CABIN COVER M1 4-5 | 1.00000 |
| 11 | C277290 | SUPPORT FOR COVER (DOOR SIDE) FOR S600 | 1.00000 |



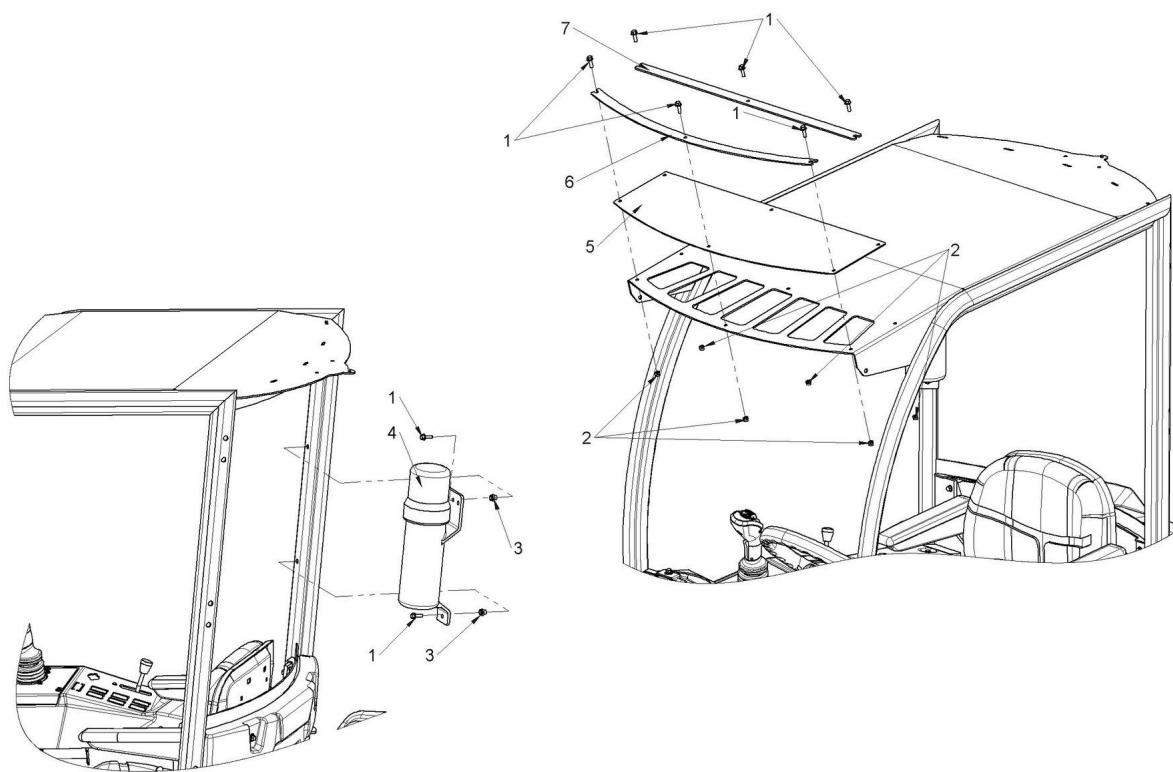
Component list [TAV. 28 SEAT]

| Pos. | Code | Description | Q.ty |
|------|---------|---|---------|
| 1 | C019201 | DIN 6921 M8x16 FLANGED HEAD SCREW | 3.00000 |
| 2 | C020113 | ISO 4014 M10x100 HEX HEAD SCREW | 1.00000 |
| 3 | C020541 | ISO 7380 M8x20 HEX SOCKET OVAL HEAD SCREW | 4.00000 |
| 4 | C021502 | SLOTTED AND CASTLE HEXAGON NUTS M8 DIN980 | 4.00000 |
| 5 | C023100 | UNI 6593 LARGE WASHER M8 - 8,5x24x2 | 8.00000 |
| 6 | C028015 | FEMALE WHEEL KNOB M10 | 1.00000 |
| 7 | C028201 | CLICK PIN Ø6 mm | 1.00000 |
| 8 | C035043 | PLASTIC END CUP DIA 76 | 1.00000 |
| 9 | C036773 | SUSPENSION SEAT+HEAT+ARM M1 | 1.00000 |
| 10 | C277293 | FOOT-BOARD S600 | 1.00000 |
| 11 | C277305 | ARTICULATION LOCK S600 | 1.00000 |
| 12 | C277317 | FERMO DI SICUREZZA BRACCIO S600 REV.01 | 1.00000 |



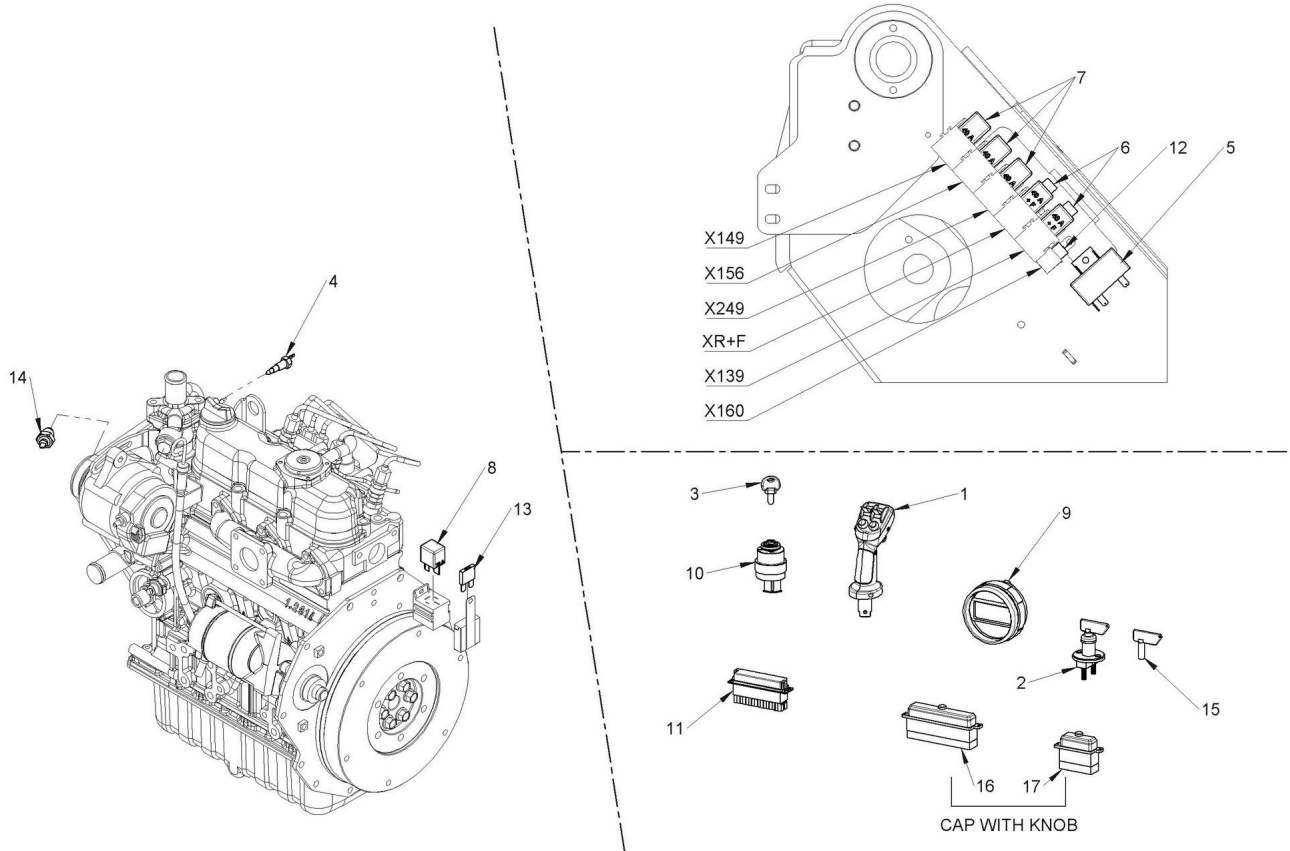
Component list [TAV. 29 DASHBOARDS]

| Pos. | Code | Description | Q.ty |
|------|---------|---------------------------------------|---------|
| 1 | C036466 | STEERING WHEEL BLACK | 1.00000 |
| 2 | C041671 | ABS SIDE DASHBOARD M1 4-5 COVER | 1.00000 |
| 3 | C041675 | FRONT DASHBOARD NO/HEAT NEWGEN M1 4-5 | 1.00000 |
| 4 | C277691 | DIGITAL INSTRUMENT PANEL M1 4-5 | 1.00000 |
| 5 | C277694 | JOYSTICK PANEL M1 5.3 | 1.00000 |



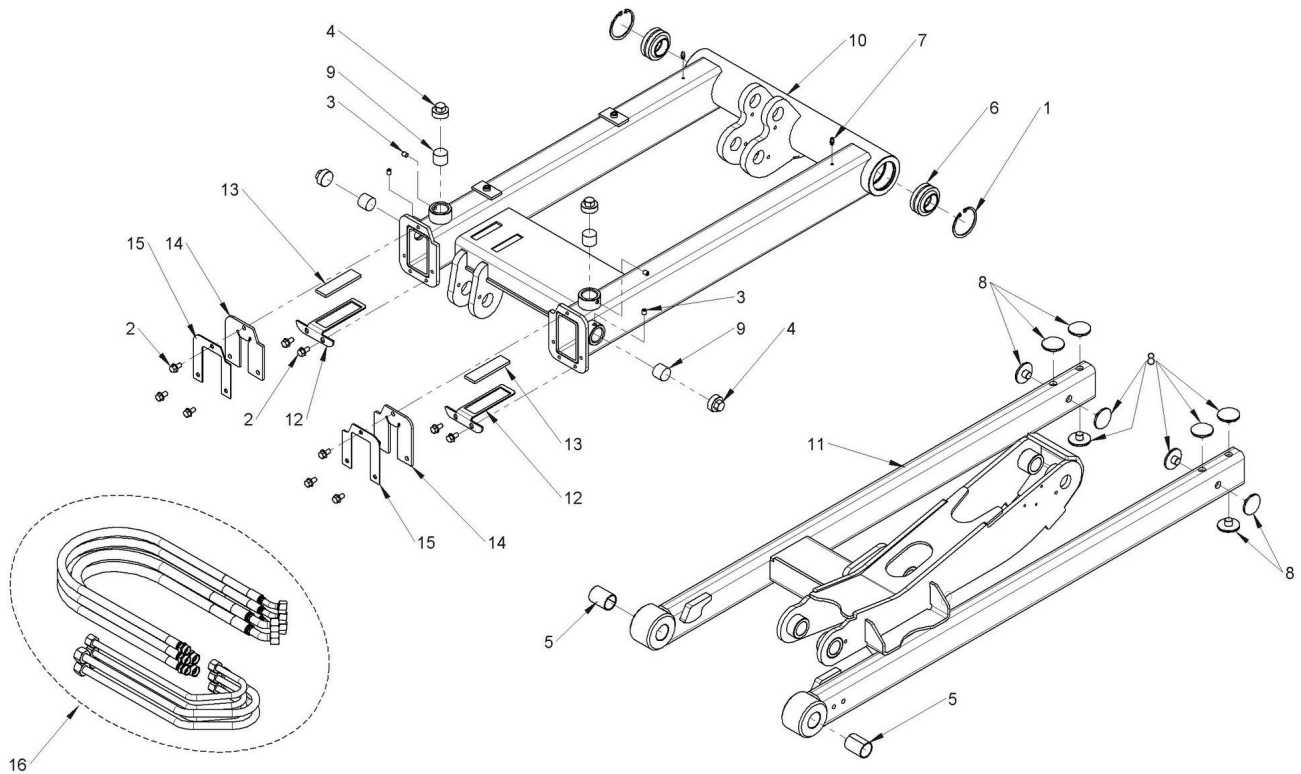
Component list [TAV. 30 TRANSPARENT FLOOR AND DOCUMENTS HOLDER]

| Pos. | Code | Description | Q.ty |
|------|---------|---|---------|
| 1 | C019212 | DIN 6921 M6x20 FLANGED HEAD SCREW | 8.00000 |
| 2 | C021104 | UNI 7473 SELF-LOCKING NUT M6 | 6.00000 |
| 3 | C028271 | THREAD INSERT M6 | 2.00000 |
| 4 | C030810 | MANUAL HOLDER | 1.00000 |
| 5 | C284370 | ROOF PLEXIGLASS | 1.00000 |
| 6 | C284371 | FISSAGGIO CURVO PLEXI SOPRA TETTO M1 5.2-5.3 | 1.00000 |
| 7 | C284372 | FISSAGGIO DRITTO PLEXI SOPRA TETTO M1 5.2-5.3 | 1.00000 |



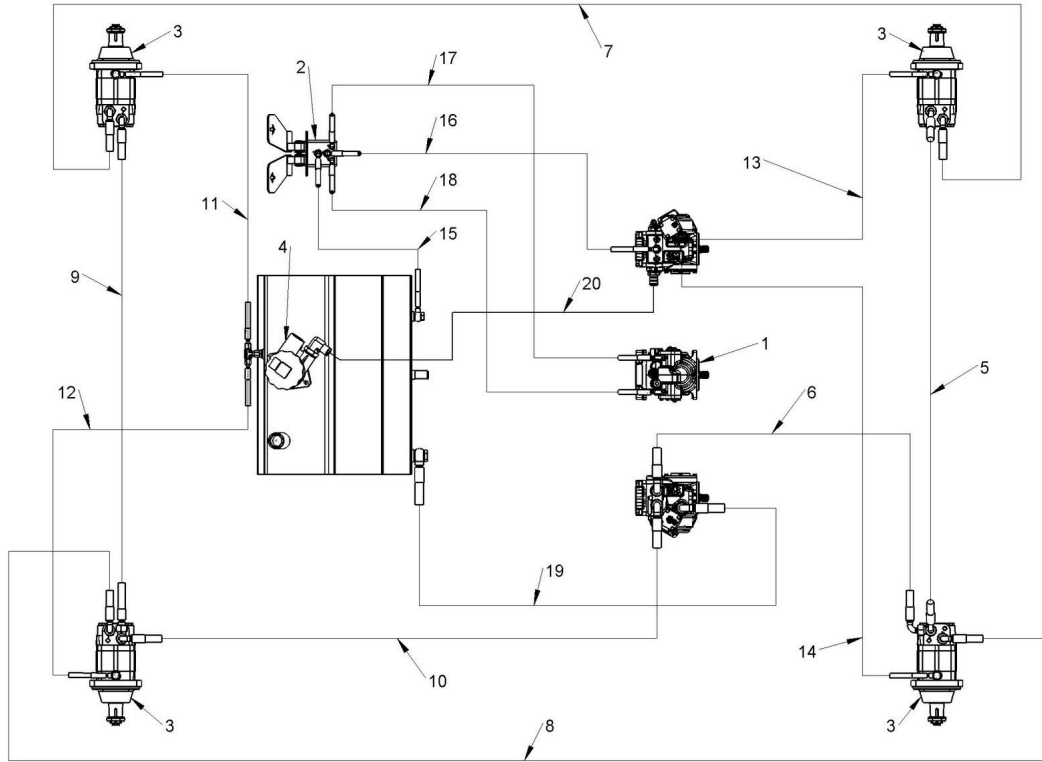
Component list [TAV. 31 ELECTRIC PARTS]

| Pos. | Code | Description | Q.ty |
|------|---------|---|---------|
| 1 | C030658 | JOYSTICK HANDLE W/7POLES+TWIN PTO | 1.00000 |
| 2 | C036100 | 100A BATTERY DISCONNECTOR | 1.00000 |
| 3 | C036174 | IGNITION KEY | 1.00000 |
| 4 | C038010 | KUBOTA WATER TEMPERATURE SENSOR BUZZER ALLARM | 1.00000 |
| 5 | C038147 | SAFETY START INTERLOCK RELAY 12V | 1.00000 |
| 6 | C038149 | 12 V, 30 RELAY W/FUSE | 2.00000 |
| 7 | C038151 | 12 V, 40-30 A RELAY | 3.00000 |
| 8 | C038152 | 12 V, 70 A MAXIRELAY | 1.00000 |
| 9 | C038154 | Ø100 LCD DECK | 1.00000 |
| 10 | C038155 | IGNITION SWITCH | 1.00000 |
| 11 | C038157 | 8 LINES FUSE BOX | 1.00000 |
| 12 | C038160 | 15A FUSE | 1.00000 |
| 13 | C038164 | 40A MAXI FUSE | 1.00000 |
| 14 | C038171 | M16x1,5 CONICAL ENGINE WATER TEMP SENSOR | 1.00000 |
| 15 | C038174 | BATTERY SWITCH RED KEY | 1.00000 |
| 16 | C038196 | 8 WAY FUSEBOX W/KNOB | 1.00000 |
| 17 | C038197 | 4 WAY FUSEBOX W/KNOB | 1.00000 |



Component list [TAV. 32 TELESCOPIC BOOM GAS FITTINGS]

| Pos. | Code | Description | Q.ty |
|------|-----------|---|----------|
| 1 | C018310 | BORES SEEGER RING Ø62 DIN 472 | 2.00000 |
| 2 | C019201 | DIN 6921 M8x16 FLANGED HEAD SCREW | 10.00000 |
| 3 | C020571 | HEXAGON SOCKET SET SCREW WHIT FLAT POINT M8x10 UNI 5923 | 4.00000 |
| 4 | C021413 | SETTING HEAD 1"G | 4.00000 |
| 5 | C037608 | BEARING 30-34-45 | 2.00000 |
| 6 | C037637 | GE 35 FO 2RS RADIAL BALL JOINT | 2.00000 |
| 7 | C090032 | GREASER M6x1 UNI 7663A | 2.00000 |
| 8 | C281633/L | ROUND SLIDE PAD FOR TELESCOPIC ARM M1 5->10 | 10.00000 |
| 9 | C281859 | SLIDING STUD M1 4->10 SERIES | 4.00000 |
| 10 | C284333 | FIXED PART S500/600 3RD GENERATION BOOM | 1.00000 |
| 11 | C284336 | MOBILE ARM M1 4-5 S500/600 3RD GENERATION BOOM | 1.00000 |
| 12 | C284339 | SLIDING PAD BOOM BRACKET | 2.00000 |
| 13 | C284340/L | SLIDING PAD | 2.00000 |
| 14 | C284341/L | TELESCOPIC ARM RUBBER PROTECTION | 2.00000 |
| 15 | C284349 | LAMA DI AGGANCO PIASTRA | 2.00000 |
| 16 | C810494 | BSP BOOM HOSES M1 4-5,S500-600 | 1.00000 |

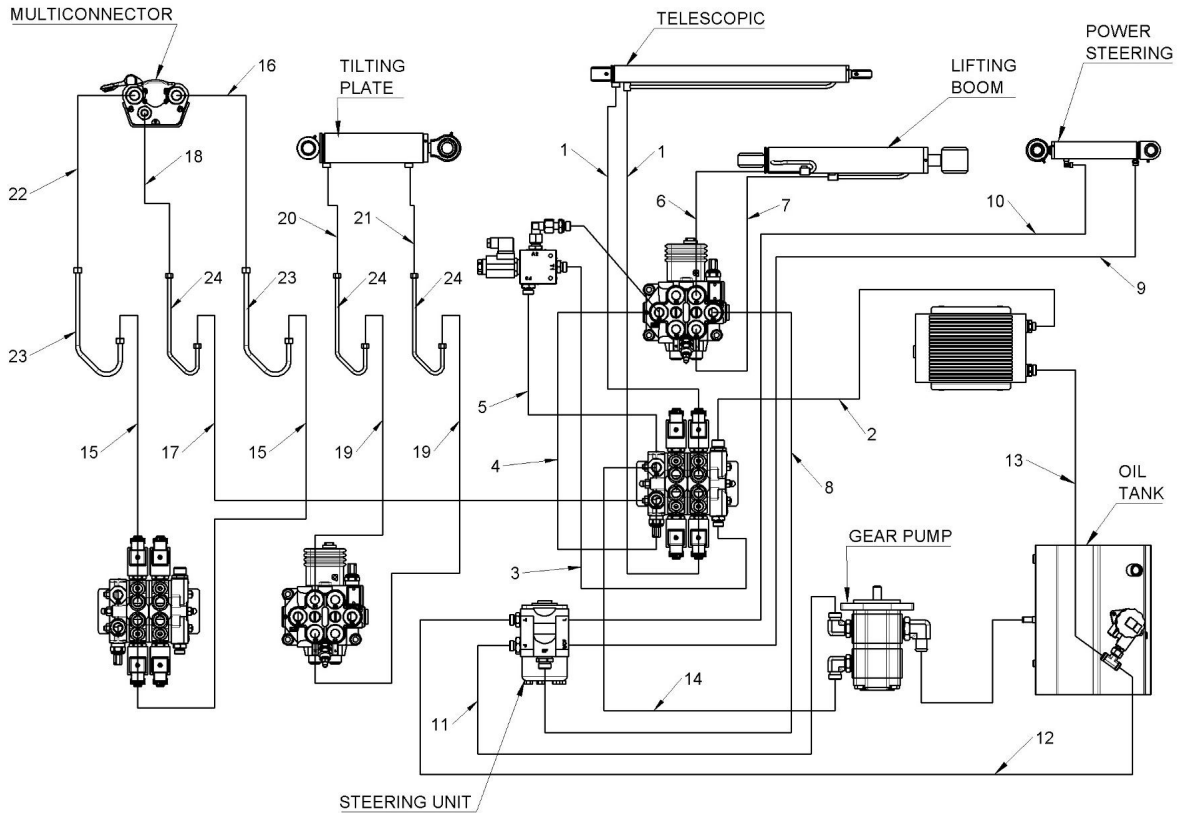


Component list [TAV. 33 TRANSMISSION HYDRAULIC DIAGRAM]

| Pos. | Code | Description | Q.ty |
|------|------------|--|---------|
| 1 | C031381 | HYDROSTATIC PUMP 21CC -250 BAR | 1.00000 |
| 2 | C030729 | TWIN PEDAL CONTROL BLOCK W/OUT PEDAL | 1.00000 |
| 3 | C038591 | ORBITAL HYDRAULIC MOTOR 315cc | 4.00000 |
| 4 | C036628 | COMBINED OIL FILTER H=300 mm | 1.00000 |
| 5 | C810340/01 | Hose length(mm): 460 - Pressure rate: 2SC Diameter(inc): 3/8 - Phase:0 1st fitting: F45 15L - 2nd fitting: F45 15L Protection: | 1.00000 |
| 6 | C810340/02 | Hose length(mm): 460 - Pressure rate: 2SC Diameter(inc): 1/2 - Phase:90 1st fitting: F90 15L - 2nd fitting: F90 15L Protection: | 1.00000 |
| 7 | C810340/03 | Hose length(mm): 1410 - Pressure rate: 2SC Diameter(inc): 3/8 - Phase:0 1st fitting: F90 15L - 2nd fitting: F90 15L Protection: | 1.00000 |
| 8 | C810340/04 | Hose length(mm): 1360 - Pressure rate: 2SC Diameter(inc): 3/8 - Phase:0 | 1.00000 |

1st fitting: F90 15L - 2nd fitting: F90 15L
 Protection:

| | | | |
|----|------------|--|---------|
| 9 | C810340/05 | Hose length(mm): 320 - Pressure rate: 2SC Diameter(inc): 3/8 - Phase: 1st fitting: F90 15L - 2nd fitting: FD 15L Protection: | 1.00000 |
| 10 | C810340/06 | Hose length(mm): 1370 - Pressure rate: 2SC Diameter(inc): 1/2 - Phase:250 1st fitting: F90 15L - 2nd fitting: F90 15L Protection: | 1.00000 |
| 11 | C810340/25 | Hose length(mm): 190 - Pressure rate: R7 Diameter(inc): 3/16 - Phase: 1st fitting: OCCHIO 1/4 - 2nd fitting: FD 6L Protection: | 1.00000 |
| 12 | C810340/26 | Hose length(mm): 310 - Pressure rate: R7 Diameter(inc): 3/16 - Phase: 1st fitting: OCCHIO 1/4 - 2nd fitting: FD 6L Protection: | 1.00000 |
| 13 | C810340/27 | Hose length(mm): 560 - Pressure rate: R7 Diameter(inc): 3/16 - Phase: 1st fitting: OCCHIO 1/4 - 2nd fitting: FD 6L Protection: | 1.00000 |
| 14 | C810340/28 | Hose length(mm): 260 - Pressure rate: R7 Diameter(inc): 3/16 - Phase: 1st fitting: OCCHIO 1/4 - 2nd fitting: FD 6L Protection: | 1.00000 |
| 15 | C810340/29 | Hose length(mm): 280 - Pressure rate: R7 Diameter(inc): 3/16 - Phase:0 1st fitting: OCCHIO 1/4 - 2nd fitting: F45 6L Protection: | 1.00000 |
| 16 | C810340/30 | Hose length(mm): 920 - Pressure rate: R7 Diameter(inc): 3/16 - Phase:90 1st fitting: F90 6L - 2nd fitting: F45 6L Protection: | 1.00000 |
| 17 | C810340/31 | Hose length(mm): 930 - Pressure rate: R7 Diameter(inc): 3/16 - Phase:270 1st fitting: F90 6L - 2nd fitting: F45 6L Protection: | 1.00000 |
| 18 | C810340/32 | Hose length(mm): 930 - Pressure rate: R7 Diameter(inc): 3/16 - Phase:90 1st fitting: F90 6L - 2nd fitting: F45 6L Protection: | 1.00000 |
| 19 | C810340/33 | Hose length(mm): 960 - Pressure rate: PILOT Diameter(inc): 1/2 - Phase:170 1st fitting: F90 15L - 2nd fitting: OCCHIO 1/2 Protection: | 1.00000 |
| 20 | C030102 | OIL SUCTION HOSE Ø19x28 | 1.00000 |



Component list [TAV. 34 SERVICES HYDRAULIC DIAGRAM]

| Pos. | Code | Description | Q.ty |
|------|------------|---|---------|
| 1 | C810358/12 | Hose length(mm): 790 - Pressure rate: 1SC Diameter(inc): 3/8 - Phase: 1st fitting: F45 12L - 2nd fitting: FD 12L Protection:PVC 500 MM LATO FD | 2.00000 |
| 2 | C810358/13 | Hose length(mm): 210 - Pressure rate: PILOT Diameter(inc): 1/2 - Phase:180 1st fitting: F90 15L - 2nd fitting: F90 15L Protection: | 1.00000 |
| 3 | C810358/14 | Hose length(mm): 160 - Pressure rate: PILOT Diameter(inc): 3/8 - Phase:0 1st fitting: F90 12L - 2nd fitting: F90 12L Protection: | 1.00000 |
| 4 | C810358/15 | Hose length(mm): 360 - Pressure rate: PILOT Diameter(inc): 3/8 - Phase:345 1st fitting: OCCHIO 3/8 - 2nd fitting: F90 12L Protection: | 1.00000 |
| 5 | C810358/16 | Hose length(mm): 240 - Pressure rate: 1SC Diameter(inc): 3/8 - Phase:180 1st fitting: F90 12L - 2nd fitting: F90 12L | 1.00000 |

Protection:

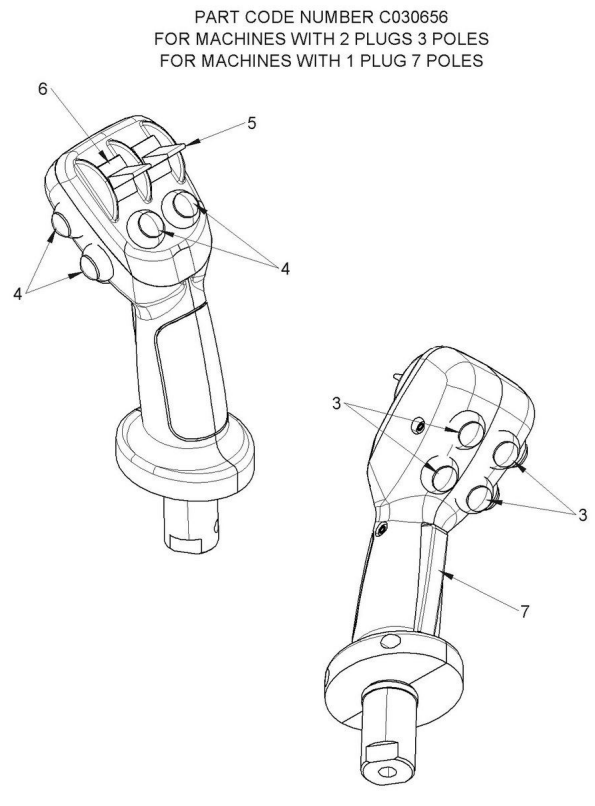
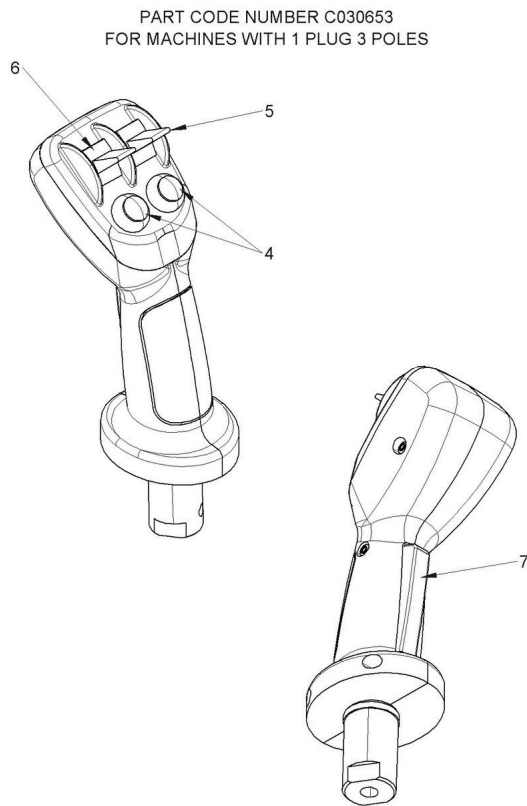
| | | | |
|----|------------|---|---------|
| 6 | C810358/17 | Hose length(mm): 1100 - Pressure rate: 1SC Diameter(inc): 1/4 - Phase: 1st fitting: F90 12L - 2nd fitting: FD 12L Protection:SPIRALE PLASTICA 300 MM LATO FD | 1.00000 |
| 7 | C810358/18 | Hose length(mm): 1000 - Pressure rate: 1SC Diameter(inc): 1/4 - Phase: 1st fitting: F90 12L - 2nd fitting: FD 12L Protection:SPIRALE PLASTICA 300 MM LATO FD | 1.00000 |
| 8 | C810358/19 | Hose length(mm): 1850 - Pressure rate: 1SC Diameter(inc): 3/8 - Phase: 1st fitting: F90 12L - 2nd fitting: FD 15L Protection: | 1.00000 |
| 9 | C810358/20 | Hose length(mm): 1015 - Pressure rate: 1SC Diameter(inc): 1/4 - Phase: 1st fitting: OCCHIO 3/8 - 2nd fitting: FD 12L Protection: | 1.00000 |
| 10 | C810358/21 | Hose length(mm): 1300 - Pressure rate: 1SC Diameter(inc): 1/4 - Phase: 1st fitting: OCCHIO 3/8 - 2nd fitting: FD 12L Protection: | 1.00000 |
| 11 | C810358/22 | Hose length(mm): 1520 - Pressure rate: 1SC Diameter(inc): 3/8 - Phase: 1st fitting: FD 15L - 2nd fitting: F90 12L Protection: | 1.00000 |
| 12 | C810358/23 | Hose length(mm): 800 - Pressure rate: PILOT Diameter(inc): 3/8 - Phase:180 1st fitting: F90 12L - 2nd fitting: F90 15L Protection: | 1.00000 |
| 13 | C810358/24 | Hose length(mm): 480 - Pressure rate: R4 Diameter(inc): 3/4 - Phase: 1st fitting: F90 22L - 2nd fitting: FD 22L Protection: | 1.00000 |
| 14 | C810358/25 | Hose length(mm): 1730 - Pressure rate: 1SC Diameter(inc): 3/8 - Phase: 1st fitting: FD 15L - 2nd fitting: F45 12L Protection: | 1.00000 |
| 15 | C810358/35 | Hose length(mm): 680 - Pressure rate: 1SC Diameter(inc): 1/2 - Phase: 1st fitting: F45 15L - 2nd fitting: MD 15L Protection:PVC | 2.00000 |
| 16 | C810358/36 | Hose length(mm): 760 - Pressure rate: 1SC Diameter(inc): 1/2 - Phase: 1st fitting: FD 15L - 2nd fitting: MD 15L Protection:PVC | 1.00000 |
| 17 | C810358/37 | Hose length(mm): 680 - Pressure rate: PILOT Diameter(inc): 3/8 - Phase: 1st fitting: FD 15L - 2nd fitting: MD 12L | 1.00000 |



Draft and part list report
Serial n / code M355133 / C977038
Description MULTIONE 5.3K T4F-STAGE5

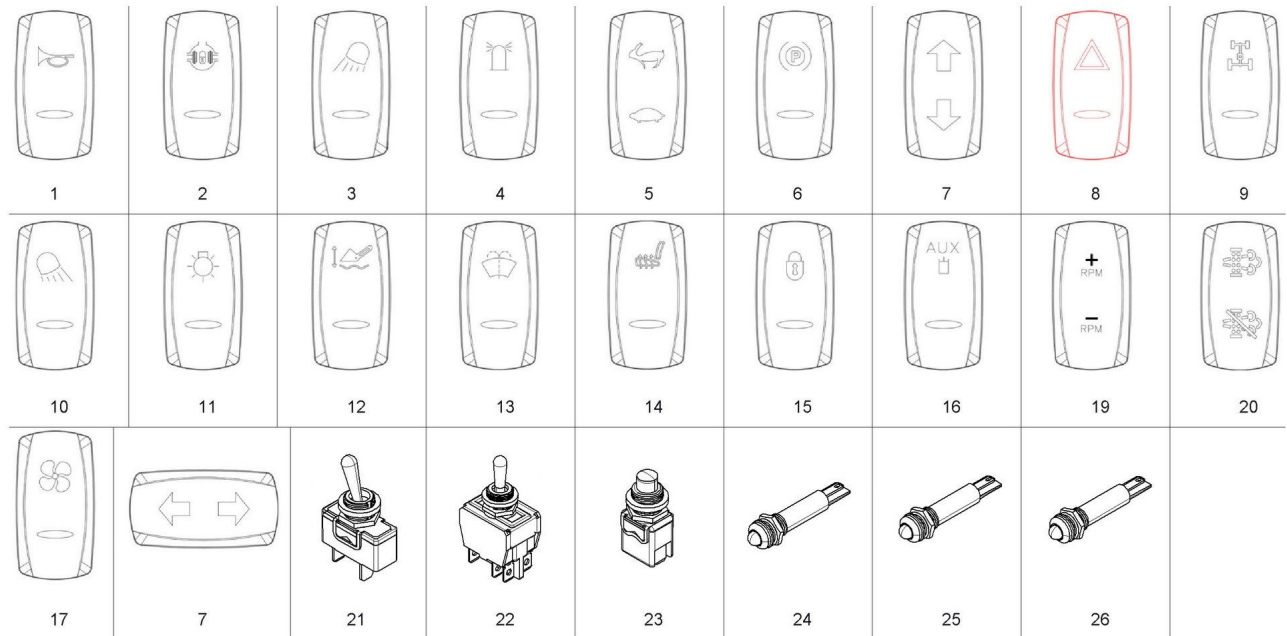
Protection:PVC

| | | | |
|----|------------|---|---------|
| 18 | C810358/38 | Hose length(mm): 850 - Pressure rate: PILOT Diameter(inc): 3/8 - Phase: 1st fitting: MD 12L - 2nd fitting: FD 12L Protection:PVC | 1.00000 |
| 19 | C810358/39 | Hose length(mm): 1280 - Pressure rate: 1SC Diameter(inc): 3/8 - Phase: 1st fitting: F90 12L - 2nd fitting: MD 12L Protection:PVC | 2.00000 |
| 20 | C810358/40 | Hose length(mm): 970 - Pressure rate: 1SC Diameter(inc): 3/8 - Phase: 1st fitting: F90 12L - 2nd fitting: MD 12L Protection:PVC | 1.00000 |
| 21 | C810358/41 | Hose length(mm): 1230 - Pressure rate: 1SC Diameter(inc): 3/8 - Phase: 1st fitting: F90 12L - 2nd fitting: MD 12L Protection:PVC | 1.00000 |
| 22 | C810358/42 | Hose length(mm): 780 - Pressure rate: 1SC Diameter(inc): 1/2 - Phase: 1st fitting: FD 15L - 2nd fitting: MD 15L Protection:PVC | 1.00000 |
| 23 | C810358/43 | Hose length(mm): - Pressure rate: 15X1,5 Diameter(inc): - Phase: 1st fitting: D+A - 2nd fitting: D+A Protection: | 2.00000 |
| 24 | C810358/44 | Hose length(mm): - Pressure rate: 12X1,5 Diameter(inc): - Phase: 1st fitting: D+A - 2nd fitting: D+A Protection: | 3.00000 |



Component list [TAV. 73 MULTIFUNCTION JOYSTICK]

| Pos. | Code | Description | Q.ty |
|------|---------|--------------------------------------|---------|
| 1 | C030653 | MULTIFUNCTION JOYSTICK | 1.00000 |
| 2 | C030658 | JOYSTICK HANDLE W/7POLES+TWIN PTO | 1.00000 |
| 3 | C034410 | 0-1R SPRING LOAD SWITCH WHITE BUTTON | 4.00000 |
| 4 | C034411 | 0-1 SWITCH WHITE BUTTON | 4.00000 |
| 5 | C034412 | 1-0-2 SPING LOAD LEVER SELECTOR | 1.00000 |
| 6 | C034413 | 1-0-2 LEVER SELECTOR SWITCH | 1.00000 |
| 7 | C034414 | 0-1 SPING LOAD FRONT TRIGGER SWITCH | 1.00000 |



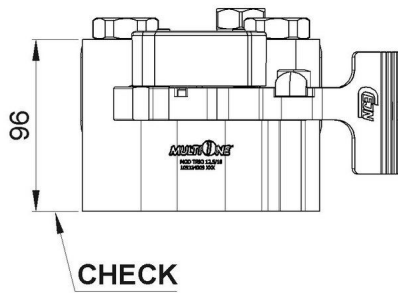
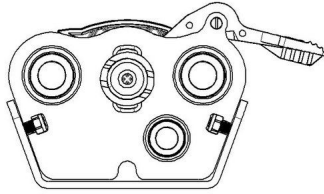
Component list [TAV. 80 ELECTRIC SWITCHES 2ND GEN]

| Pos. | Code | Description | Q.ty |
|------|---------|---|---------|
| 1 | C038175 | COMPLETE HORN SWITCH | 1.00000 |
| 2 | C038176 | COMPLETE DBS SWITCH | 1.00000 |
| 3 | C038177 | COMPLETE WORK LIGHT SWITCH | 1.00000 |
| 4 | C038178 | COMPLETE FLASHING BEACON SWITCH | 1.00000 |
| 5 | C038179 | COMPLETE CHANGE SPEED SWITCH | 1.00000 |
| 6 | C038180 | COMPLETE PARKING BRAKE SWITCH | 1.00000 |
| 7 | C038181 | COMPLETE ELECTRIC SOCKET / LIGHT DIRECTION SWITCH | 1.00000 |
| 8 | C038183 | COMPLETE WARNING LIGHT SWITCH | 1.00000 |
| 9 | C038203 | COMPLETE TORQUE DIVIDER SWITCH | 1.00000 |
| 10 | C038204 | COMPLETE AUXILIARY WORK LIGHT SWITCH | 1.00000 |
| 11 | C038205 | COMPLETE ROAD LIGHT SWITCH | 1.00000 |
| 12 | C038206 | COMPLETE FLOATING SYSTEM SWITCH | 1.00000 |
| 13 | C038208 | COMPLETE WINDSCREEN WASHER SWITCH | 1.00000 |
| 14 | C038209 | COMPLETE HEATING SEAT SWITCH | 1.00000 |
| 15 | C038212 | COMPLETE ATTACHMENT RELEASE SWITCH | 1.00000 |
| 16 | C038213 | COMPLETE FRONT AUX OUTLET SWITCH | 1.00000 |
| 17 | C038214 | COMPLETE FAN SWITCH | 1.00000 |

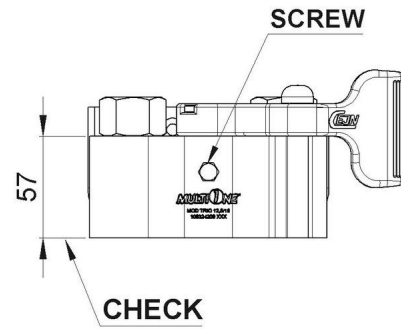
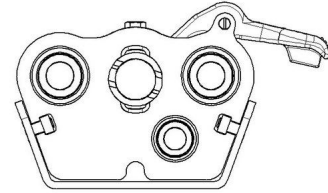


Draft and part list report
Serial n / code M355133 / C977038
Description MULTIONE 5.3K T4F-STAGE5

| | | | |
|----|-------------------|--|---------|
| 19 | C038215 | COMPLETE RPM +/- SWITCH | 1.00000 |
| 20 | C038216 | COMPLETE DPF CLEANER SWITCH | 1.00000 |
| 21 | FF180/30.34.08956 | LEVER SWITCH ON-OFF, 2 TERMINAL, W/RUBBER | 1.00000 |
| 22 | FF180/30.34.10306 | LEVER SWITCH ON-OFF-ON, 6 TERMINAL, W/RUBBER | 1.00000 |
| 23 | C034419 | 0-1R HORN SWITCH | 1.00000 |
| 24 | C034420 | GREEN LED INDICATOR | 1.00000 |
| 25 | C034422 | YELLOW LED INDICATOR | 1.00000 |
| 26 | C034423 | RED LED INDICATOR | 1.00000 |



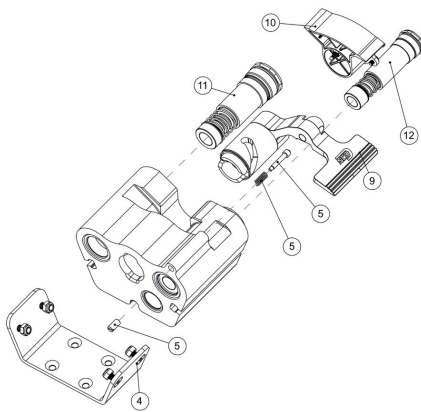
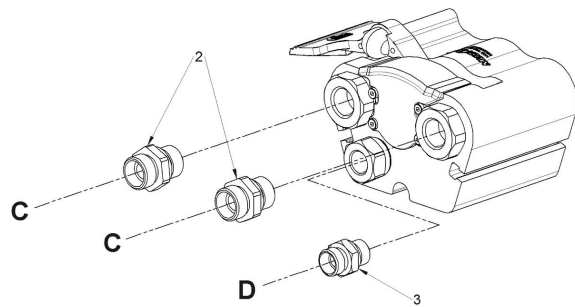
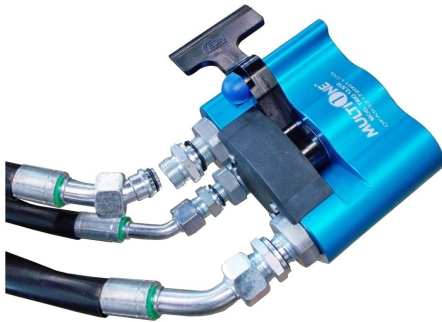
SECOND GENERATION
SEE TAV. 92 OR 93



THIRD GENERATION
SEE TAV. 96 OR 97

Component list [TAV. 89 COMPARE 2nd 3rd GENERATION MULTICONNECTOR MACHINE SIDE]

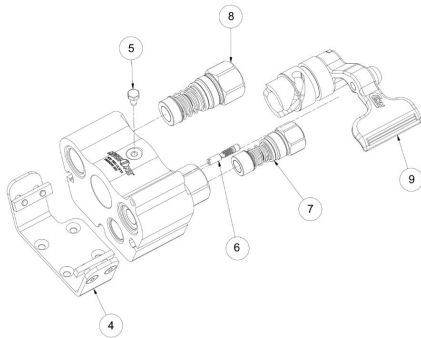
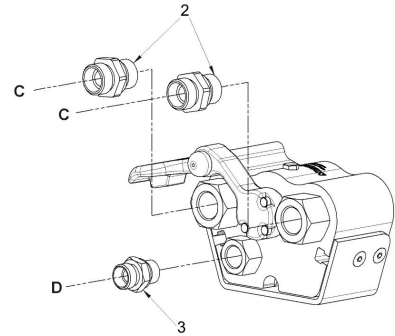
| Pos. | Code | Description | Q.ty |
|------|------|-------------|------|
|------|------|-------------|------|



| HOSE TYPE | WORK PRES BAR | HOSE DIAMETER | LENGHT RUBBER HOSE | 1st FITTING DIN 2353 | 2nd FITTING DIN 2353 |
|-----------------------|---------------|---------------|--------------------|-------------------------------|--------------------------|
| 2 SERIES | | | | | |
| "C" PORT HOSES | | | | | |
| 1SC | 160 | 1/2" | 690 | FEMALE STRAIGHT 12L (M18x1,5) | FEMALE 45° 15L (M22x1,5) |
| 1SC | 160 | 1/2" | 730 | FEMALE 90° 12L (M18x1,5) | FEMALE 45° 15L (M22x1,5) |
| "D" PORT HOSES | | | | | |
| PILOT | 100 | 3/8" | 710 | FEMALE 90° 12L (M18x1,5) | FEMALE 45° 12L (M18x1,5) |
| 4-5 SERIES | | | | | |
| "C" PORT HOSES | | | | | |
| 1SC | 160 | 1/2" | 730 | MALE STRAIGHT 15L (M22x1,5) | FEMALE 45° 15L (M22x1,5) |
| 1SC | 160 | 1/2" | 780 | MALE STRAIGHT 15L (M22x1,5) | FEMALE 45° 15L (M22x1,5) |
| "D" PORT HOSES | | | | | |
| PILOT | 100 | 3/8" | 790 | MALE STRAIGHT 12L (M18x1,5) | FEMALE 45° 12L (M18x1,5) |
| 6-7-8 SERIES | | | | | |
| "C" PORT HOSES | | | | | |
| 1SC | 160 | 1/2" | 970 | MALE STRAIGHT 15L (M22x1,5) | FEMALE 45° 15L (M22x1,5) |
| "D" PORT HOSES | | | | | |
| PILOT | 100 | 3/8" | 1060 | MALE STRAIGHT 12L (M18x1,5) | FEMALE 45° 12L (M18x1,5) |

Component list [TAV. 92 BSP MULTICONNETTORE MACHINE SIDE 2nd GENERATION]

| Pos. | Code | Description | Q.ty |
|------|------------------|---|---------|
| 2 | C033003 | MALE-MALE CONNECTOR 1/2" G - 15L | 2.00000 |
| 3 | C033001 | MALE-MALE CONNECTOR 3/8" G - 12 L | 1.00000 |
| 4 | FF1187/109324975 | MOUNTING BRACKET | 1.00000 |
| 5 | FF1187/109324992 | LOCKING LEVER PIN KIT | 1.00000 |
| 9 | FF1187/109324970 | LOCKING LEVER KIT | 1.00000 |
| 10 | FF1187/109324971 | BACK LID KIT | 1.00000 |
| 11 | FF1187/105651905 | BSP 1/2" GAS COUPLING INSERT FEMALE MULTI 2nd GEN | 2.00000 |
| 12 | FF1187/103651903 | BSP 3/8" GAS COUPLING INSERT FEMALE MULTI 2nd GEN | 1.00000 |



| HOSE TYPE | WORK PRES BAR | HOSE DIAMETER | LENGHT RUBBER HOSE | 1st FITTING DIN 2353 | 2nd FITTING DIN 2353 |
|-----------------------|---------------|---------------|--------------------|-------------------------------|--------------------------|
| 2 SERIES | | | | | |
| "C" PORT HOSES | | | | | |
| 1SC | 160 | 1/2" | 690 | FEMALE STRAIGHT 12L (M18x1,5) | FEMALE 45° 15L (M22x1,5) |
| 1SC | 160 | 1/2" | 730 | FEMALE 90° 12L (M18x1,5) | FEMALE 45° 15L (M22x1,5) |
| "D" PORT HOSES | | | | | |
| PILOT | 100 | 3/8" | 710 | FEMALE 90° 12L (M18x1,5) | FEMALE 45° 12L (M18x1,5) |
| 4-5 SERIES | | | | | |
| "C" PORT HOSES | | | | | |
| 1SC | 160 | 1/2" | 730 | MALE STRAIGHT 15L (M22x1,5) | FEMALE 45° 15L (M22x1,5) |
| 1SC | 160 | 1/2" | 780 | MALE STRAIGHT 15L (M22x1,5) | FEMALE 45° 15L (M22x1,5) |
| "D" PORT HOSES | | | | | |
| PILOT | 100 | 3/8" | 790 | MALE STRAIGHT 12L (M18x1,5) | FEMALE 45° 12L (M18x1,5) |
| 6-7-8 SERIES | | | | | |
| "C" PORT HOSES | | | | | |
| 1SC | 160 | 1/2" | 970 | MALE STRAIGHT 15L (M22x1,5) | FEMALE 45° 15L (M22x1,5) |
| "D" PORT HOSES | | | | | |
| PILOT | 100 | 3/8" | 1060 | MALE STRAIGHT 12L (M18x1,5) | FEMALE 45° 12L (M18x1,5) |

Component list [TAV. 96 BSP MULTICONNECTOR 3rd GENERATION MACHINE SIDE]

| Pos. | Code | Description | Q.ty |
|------|------------------|---|---------|
| 2 | C033001 | MALE-MALE CONNECTOR 3/8" G - 12 L | 2.00000 |
| 3 | C033003 | MALE-MALE CONNECTOR 1/2" G - 15L | 1.00000 |
| 4 | FF1187/109324936 | MOUNTING BRACKET | 1.00000 |
| 5 | FF1187/099320921 | NOT AVIABLE AS SPARE PARTS | 1.00000 |
| 6 | FF1187/109324992 | LOCKING LEVER PIN KIT | 1.00000 |
| 7 | FF1187/103651908 | BSP 3/8" GAS COUPLING INSERT FEMALE MULTI 3rd GEN | 1.00000 |
| 8 | FF1187/105651908 | BSP 1/2" GAS COUPLING INSERT FEMALE MULTI 3rd GEN | 2.00000 |
| 9 | FF1187/109324951 | LOCKING LEVER FEMALE MULTI 3rd GEN | 1.00000 |