

PART MANUAL

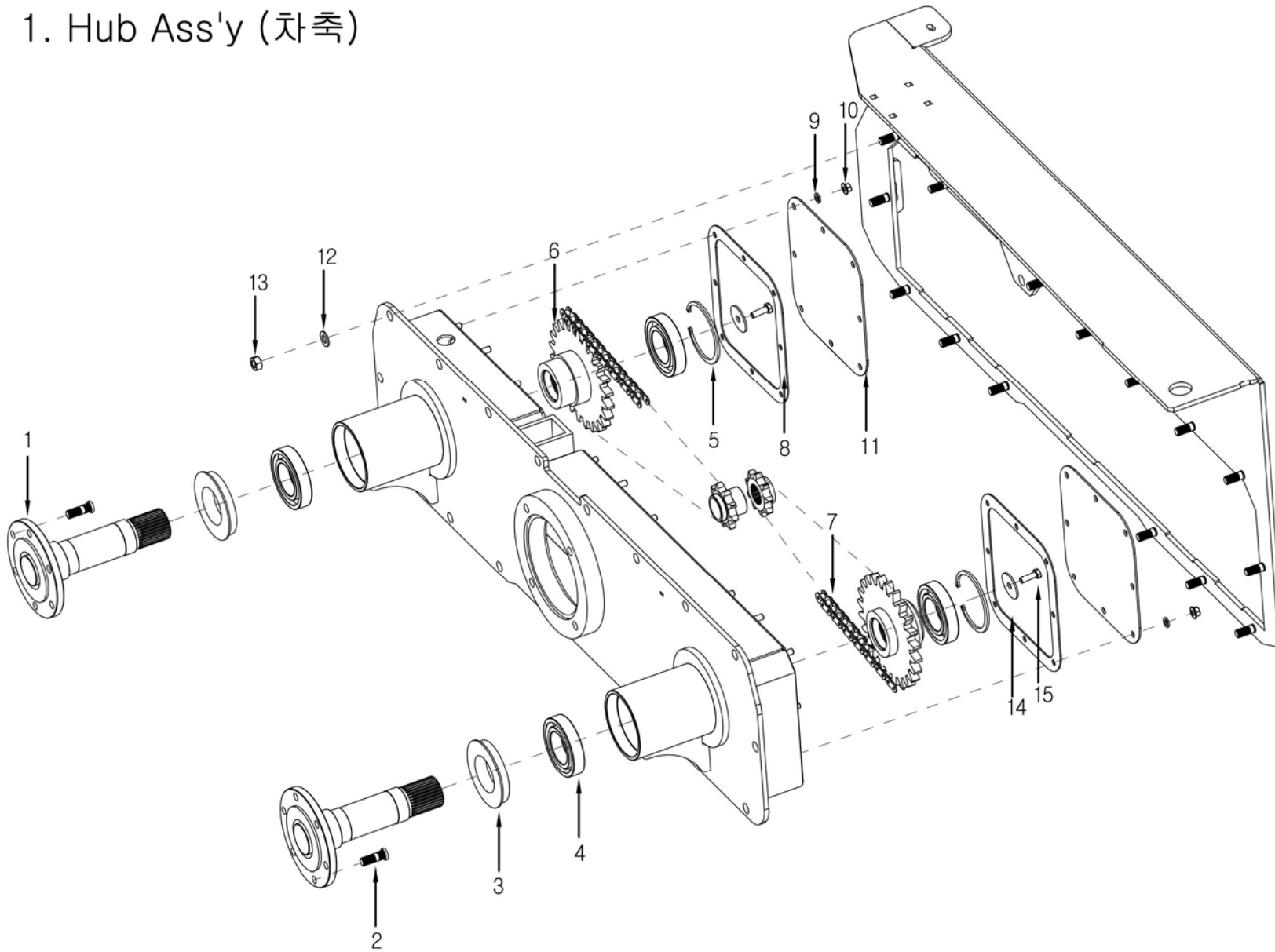
SKID STEER LOADER M50

5-201403 / FINAL VERSION



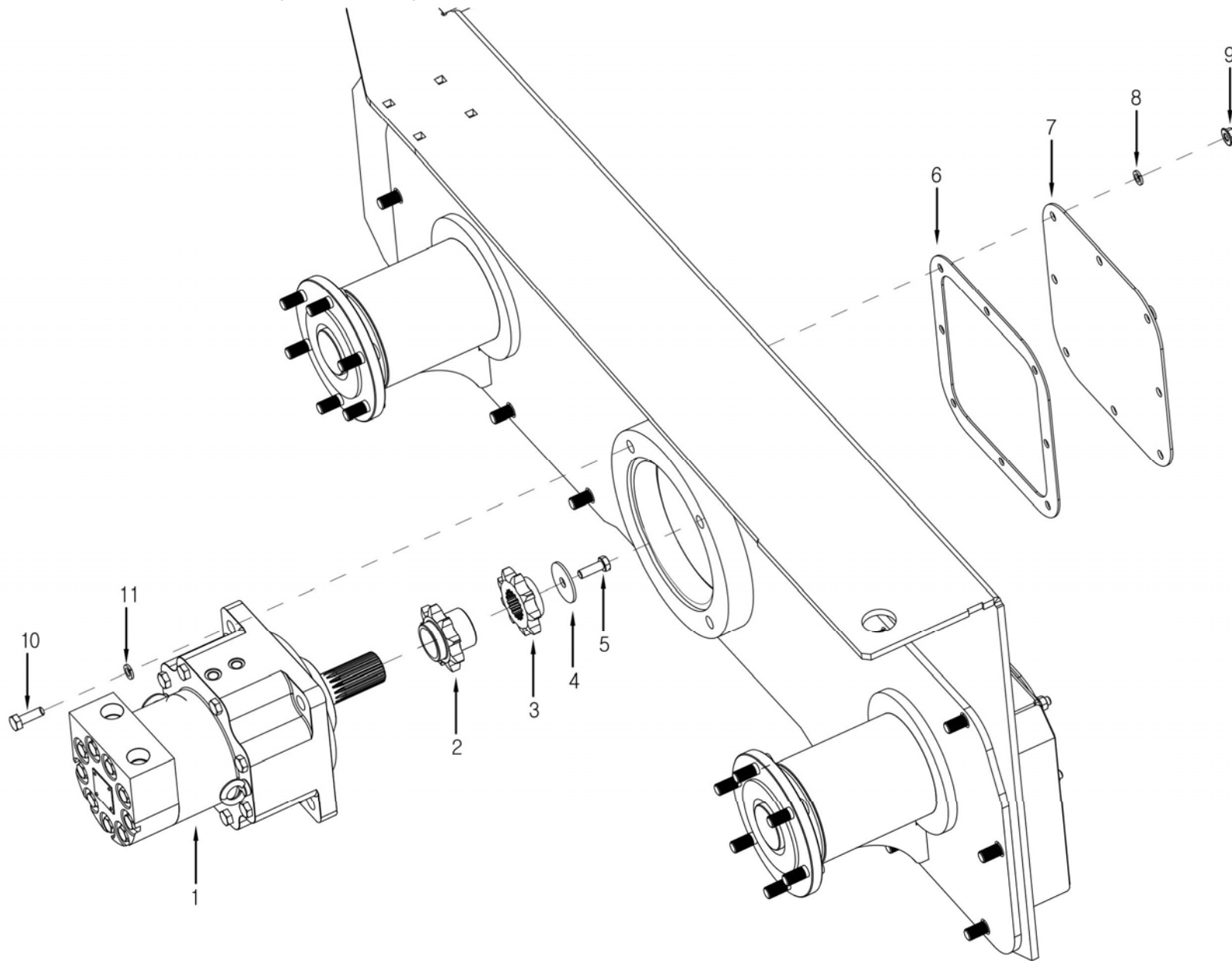
Bawoo Company Corp

1. Hub Ass'y (차축)



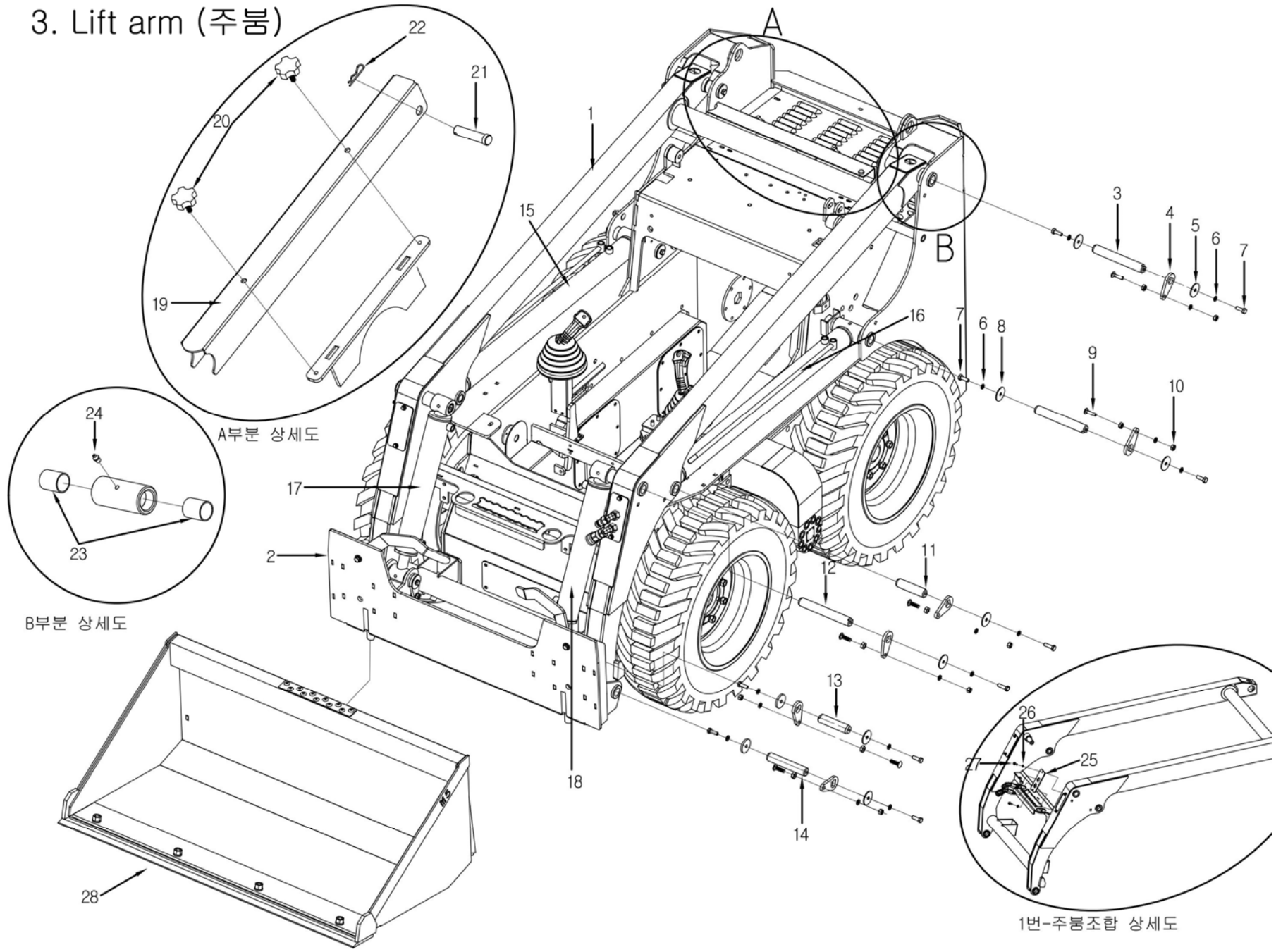
1. Hub Ass'y (차축)				
No.	Name	Part No.	Quantity	Remarks
1	Axle (차축)	5701R-0101	4	
2	Wheel bolt (휠 볼트)	5701R-0102	24	
3	Retainer (리테이너)	5701R-0103	4	
4	Bearing (베어링)	5701R-0104	8	
5	Snap ring (스냅링)	5701R-0105	4	
6	Chain Gear(체인기어)	5701R-0106	4	
7	Chain(체인)	5701R-0107	2	
8	Rubber Gasket(고무가스켓)	5701R-0108	4	
9	Washer (와셔)	5701R-0109	32	
10	Nut(너트)	5701R-0110	32	
11	Case Cover	5701R-0111	6	
12	Washer (와셔)	5701R-0112	30	
13	Nut(너트)	5701R-0113	30	
14	Washer (와셔)	5701R-0114	4	
15	Bolt(볼트)	5701R-0115	4	

2. Motor shaft (모터 축)



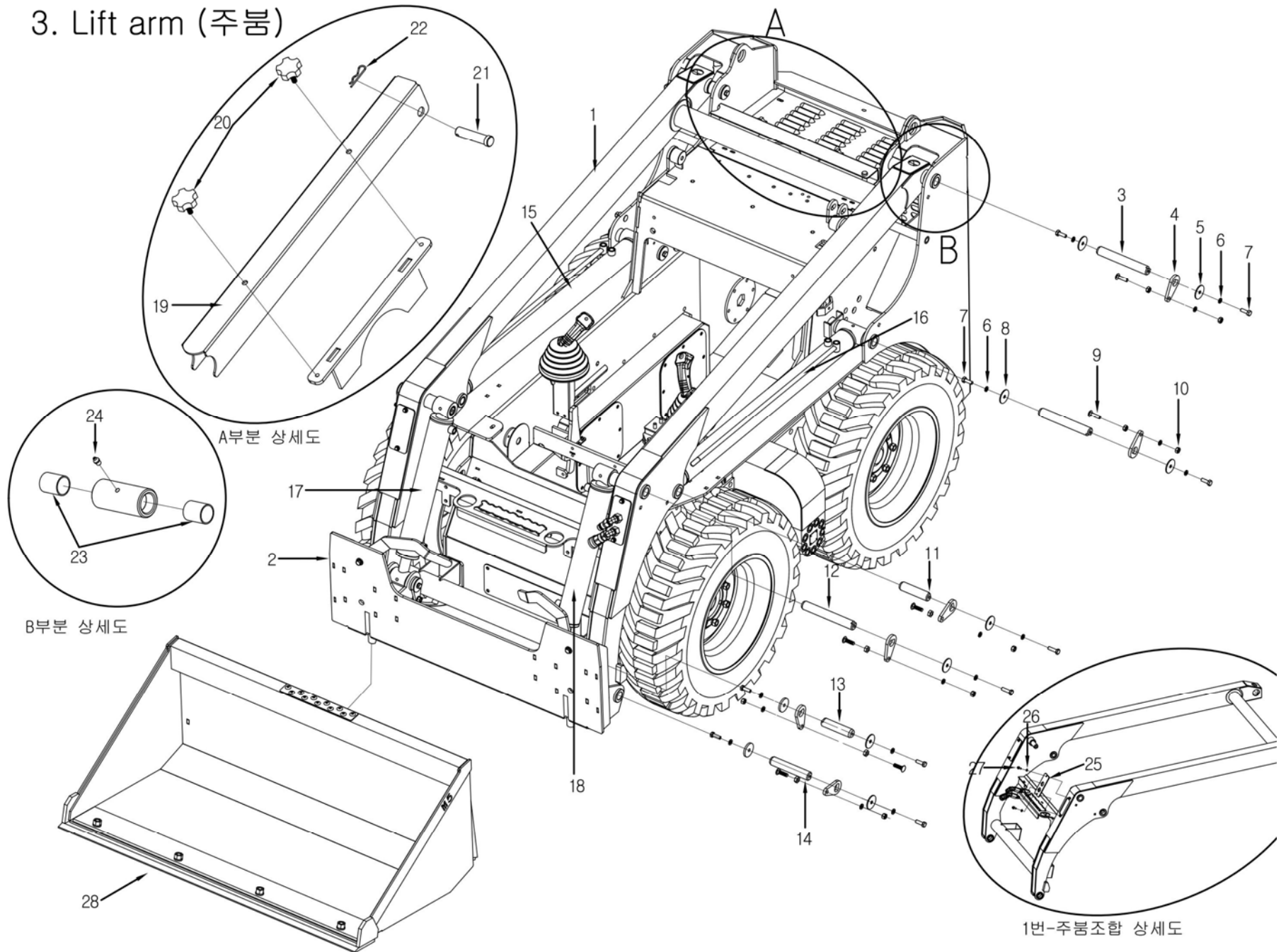
2. Motor shaft (모터 축)				
No.	Name	Part No.	Quantity	Remarks
1	Motor (모터)	5701R-0201	2	
2	Chain gear (체인 기어)	5701R-0202	2	
3	Chain gear (체인 기어)	5701R-0203	2	
4	Washer(와셔)	5701R-0204	2	
5	Bolt(볼트)	5701R-0205	2	
6	Rubber Gasket(고무가스켓)	5701R-0206	4	
7	Service window (정비창)	5701R-0207	2	
8	Spring washer (스프링 와셔)	5701R-0208	16	
9	Nut (너트)	5701R-0209	16	
10	Bolt(볼트)	5701R-0210	8	
11	Spring washer (스프링 와셔)	5701R-0211	8	

3. Lift arm (주봉)



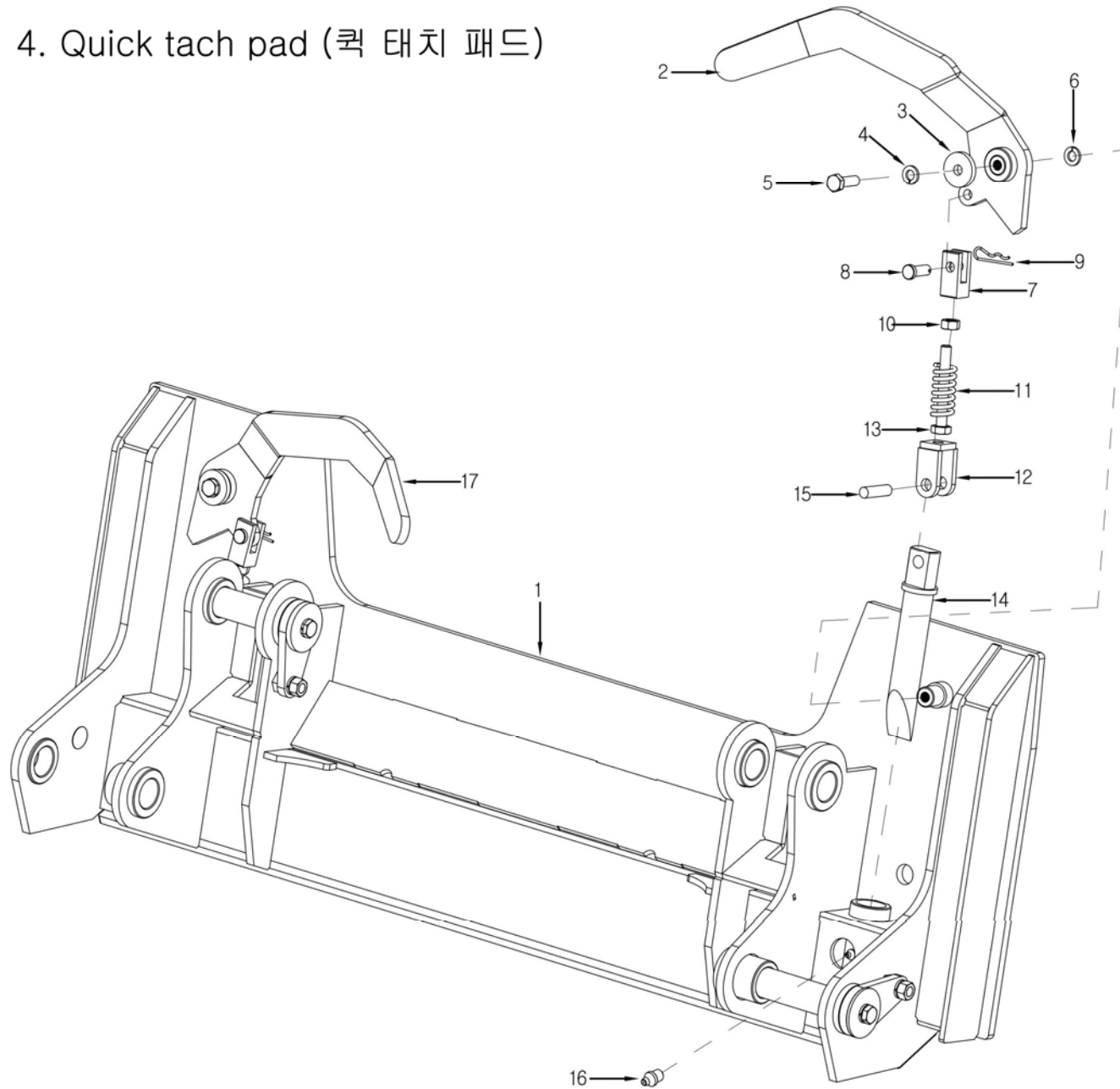
3. Lift arm (주뿔)				
No.	Name	Part No.	Quantity	Remarks
1	Lift arm ass'y (주뿔 조합)	5701R-0301	1	
2	Pad ass'y (패드 조합)	5701R-0302	1	
3	Fixed pin for lift arm, lift cylinder (주뿔, 주뿔실린더 고정핀)	5701R-0303	4	
4	Bracket for fixing pin (핀 고정 브라켓)	5701R-0304	12	
5	Washer (와셔)	5701R-0305	12	
6	Spring washer (스프링 와셔)	5701R-0306	32	
7	Bolt (볼트)	5701R-0307	20	
8	Washer (와셔)	5701R-0308	8	
9	Square bolt (사각 볼트)	5701R-0309	12	
10	Nut (너트)	5701R-0310	24	
11	Rod, pin for lift cylinder (주뿔 실린더 핀(로드))	5701R-0311	2	
12	Horning pipe, pin for tilt cylinder (버킷실린더 핀(호닝관))	5701R-0312	2	
13	Rod, pin for tilt cylinder (버킷 실린더 핀(로드))	5701R-0313	2	
14	Pin for pad (패드 핀)	5701R-0314	2	
15	Lift cylinder RH (오른쪽 주뿔 실린더)	5701R-0315	1	
16	Lift cylinder LH (왼쪽 주뿔 실린더)	5701R-0316	1	
17	Tilt cylinder RH (오른쪽 버킷 실린더)	5701R-0317	1	
18	Tilt cylinder LH (왼쪽 버킷 실린더)	5701R-0318	1	
19	Lift arm support device (주뿔 지지대)	5701R-0319	1	
20	Knob bolt (노브 볼트)	5701R-0320	2	
21	Fixed Pin (고정 핀)	5701R-0321	1	
22	Snap pin (스냅핀)	5701R-0322	1	
23	DU Bushing (DU 부시)	5701R-0323	8	
24	Grease nipple (그리스 니플)	5701R-0324	4	
25	Cover (커버)	5701R-0325	1	

3. Lift arm (주봉)



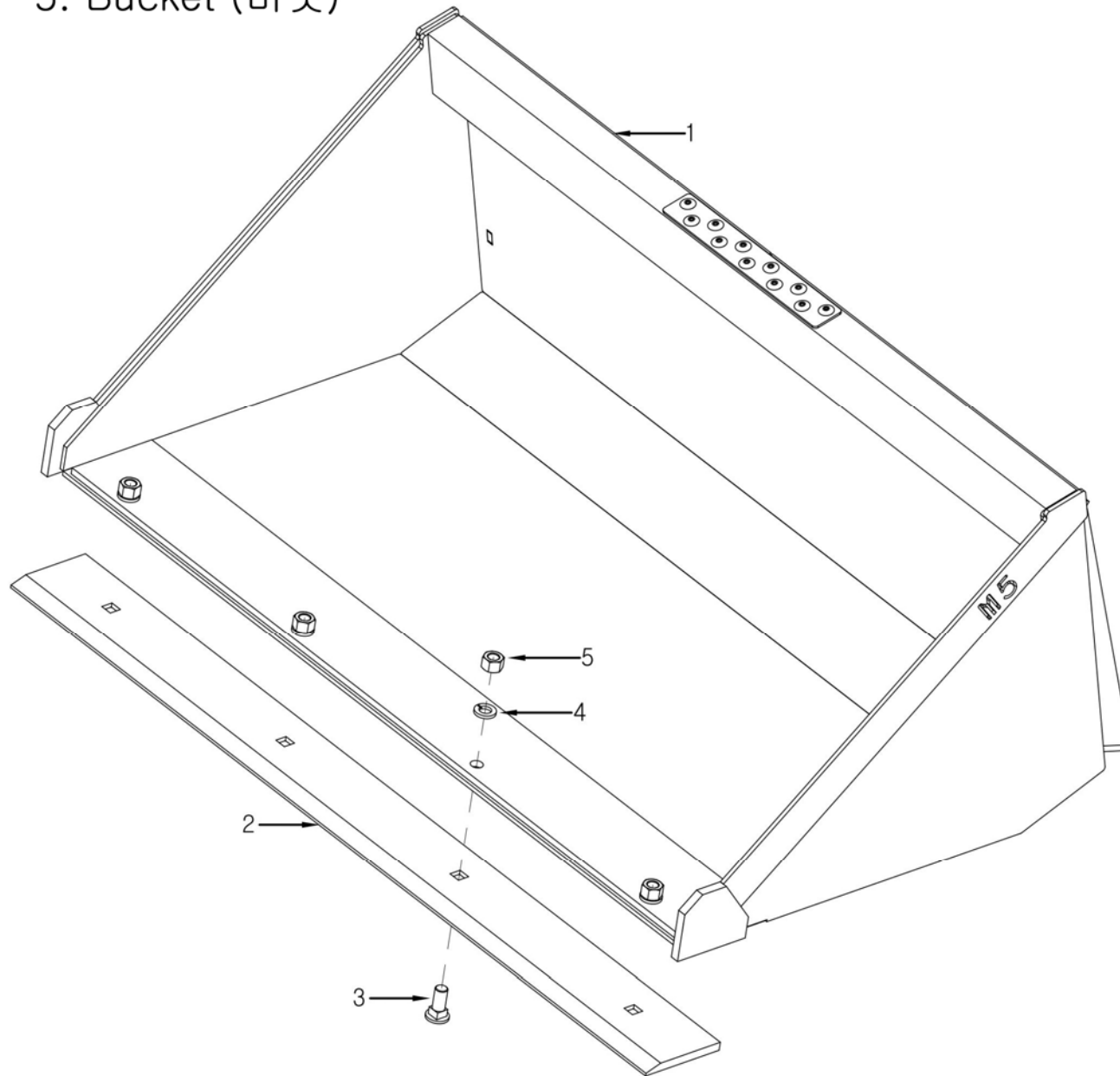
3. Lift arm (주뿔) (Cont'd) (계속)				
No.	Name	Part No.	Quantity	Remarks
26	Washer (와셔)	5701R-0326	2	
27	Bolt (볼트)	5701R-0327	2	
28	Bucket ass'y (버켓 조합)	5701R-0328	1	

4. Quick tach pad (퀵 태치 패드)



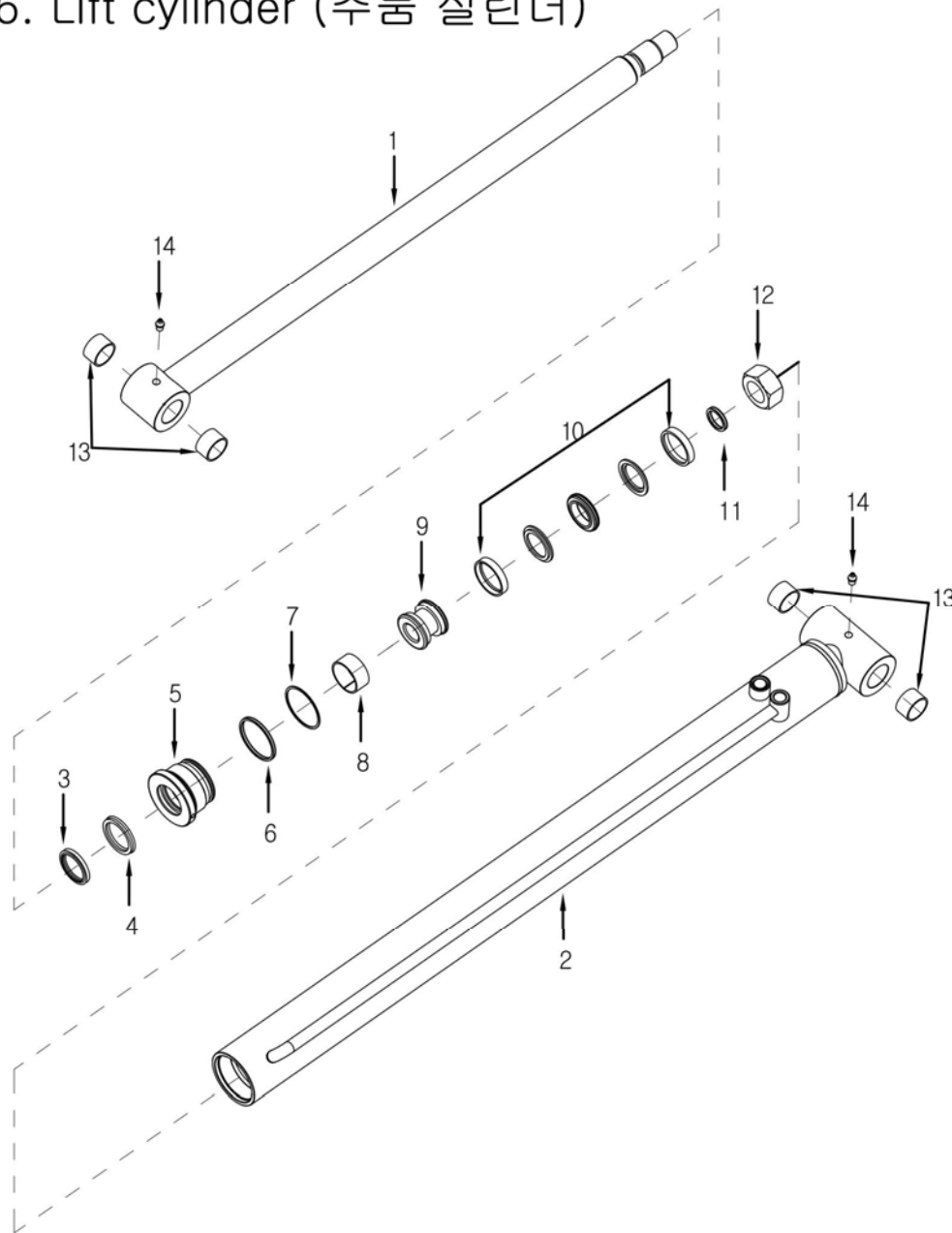
4. Quick tach pad (퀵 태치 패드)				
No.	Name	Part No.	Quantity	Remarks
1	Pad ass'y (패드 조합)	5701R-0401	1	
2	Handle RH (손잡이 왼쪽)	5701R-0402	1	
3	Washer (와셔)	5701R-0403	2	
4	Spring washer (스프링 와셔)	5701R-0404	2	
5	Bolt (볼트)	5701R-0405	2	
6	Belleville washer (접시 스프링 와셔)	5701R-0406	2	
7	Coupling box (연결함)	5701R-0407	2	
8	Fixed pin (고정 핀)	5701R-0408	2	
9	Snap pin (스냅 핀)	5701R-0409	2	
10	Nut (너트)	5701R-0410	2	
11	Spring (스프링)	5701R-0411	2	
12	Coupling box (연결함)	5701R-0412	2	
13	Bolt (볼트)	5701R-0413	2	
14	Pin (잠금 핀)	5701R-0414	2	
15	Fixed pin (고정 핀)	5701R-0415	2	
16	Grease nipple (그리스 니플)	5701R-0416	2	
17	Handle RH (손잡이 오른쪽)	5701R-0417	1	

5. Bucket (버킷)



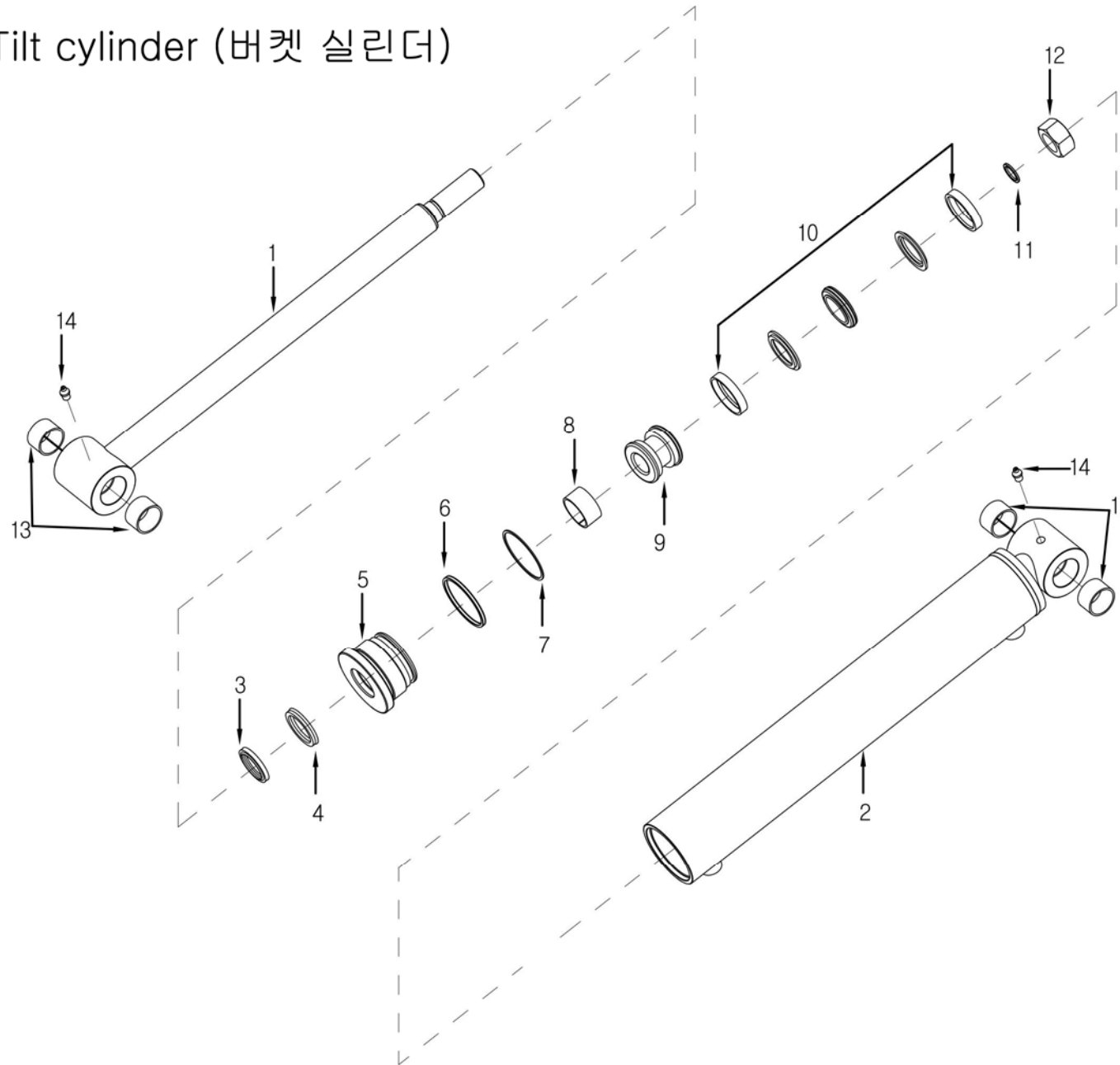
5. Bucket (버킷)				
No.	Name	Part No.	Quantity	Remarks
1	Bucket (버킷)	5701R-0501	1	
2	Blade (버킷 날)	5701R-0502	1	
3	Squre bolt (사각 볼트)	5701R-0503	4	
4	Spring washer (스프링 와셔)	5701R-0504	4	
5	Nut (너트)	5701R-0505	4	

6. Lift cylinder (주분 실린더)



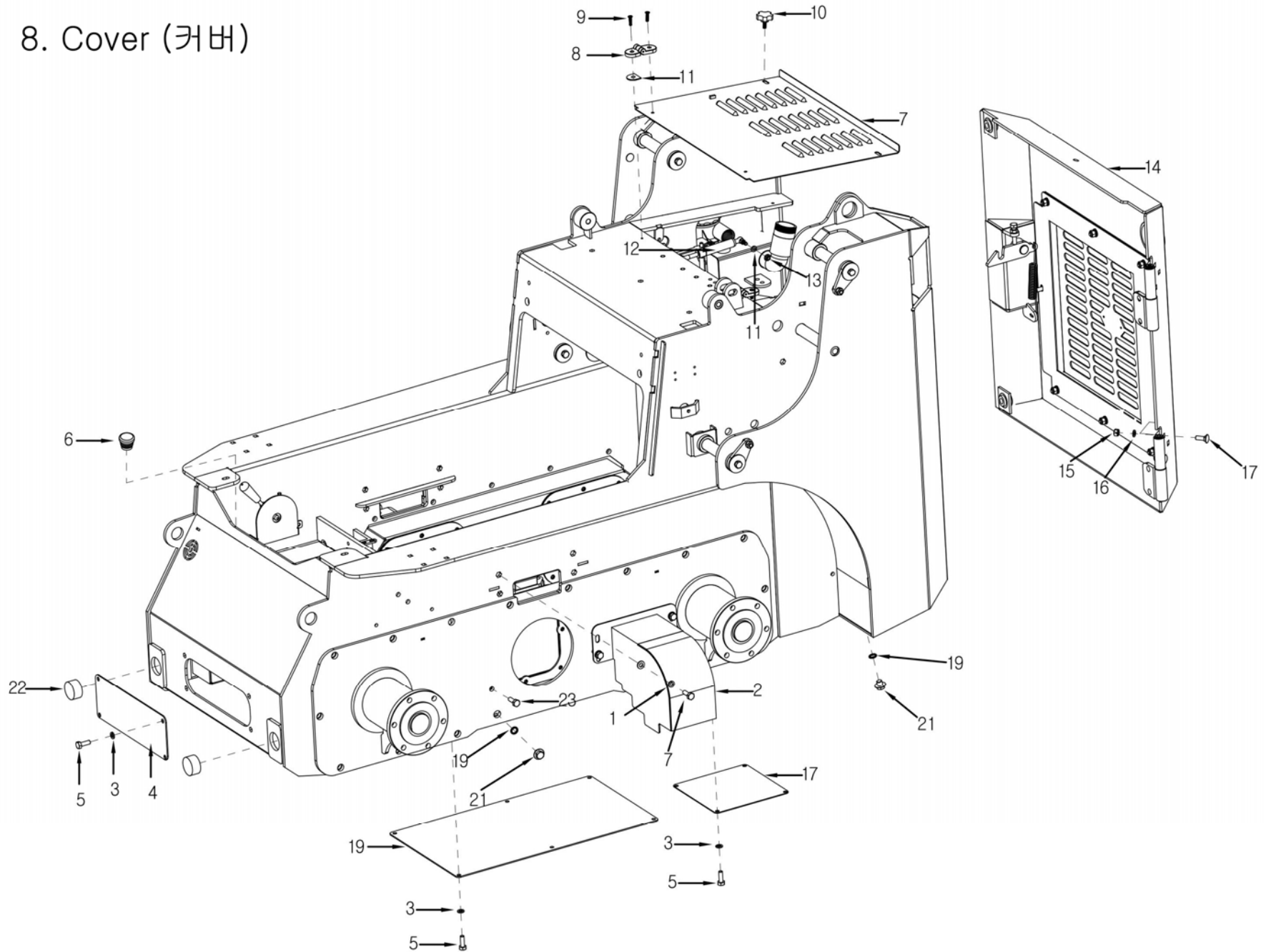
6. Lift cylinder (주뿔 실린더)				
No.	Name	Part No.	Quantity	Remarks
1	Rod (로드)	5701R-0601	1	
2	Honing pipe (호닝 관)	5701R-0602	1	
3	Dust seal (더스트 씬)	5701R-0603	1	
4	Rod seal (로드 씬)	5701R-0604	1	
5	Cap nut (캡 너트)	5701R-0605	1	
6	O-ring (오 링)	5701R-0606	1	
7	Backup ring(백업링)	5701R-0607	1	
8	DU Bushing (DU 부시)	5701R-0608	1	
9	Piston (피스톤)	5701R-0609	1	
10	Compact seal(컴팩트씬)	5701R-0610	1	
11	O-ring (오 링)	5701R-0611	1	
12	Nut (너트)	5701R-0612	2	
13	BI-METAL BUSH(BI 메탈 씬)	5701R-0613	2	
14	Grease nipple(그리스 니플)	5701R-0614	1	

7. Tilt cylinder (버킷 실린더)



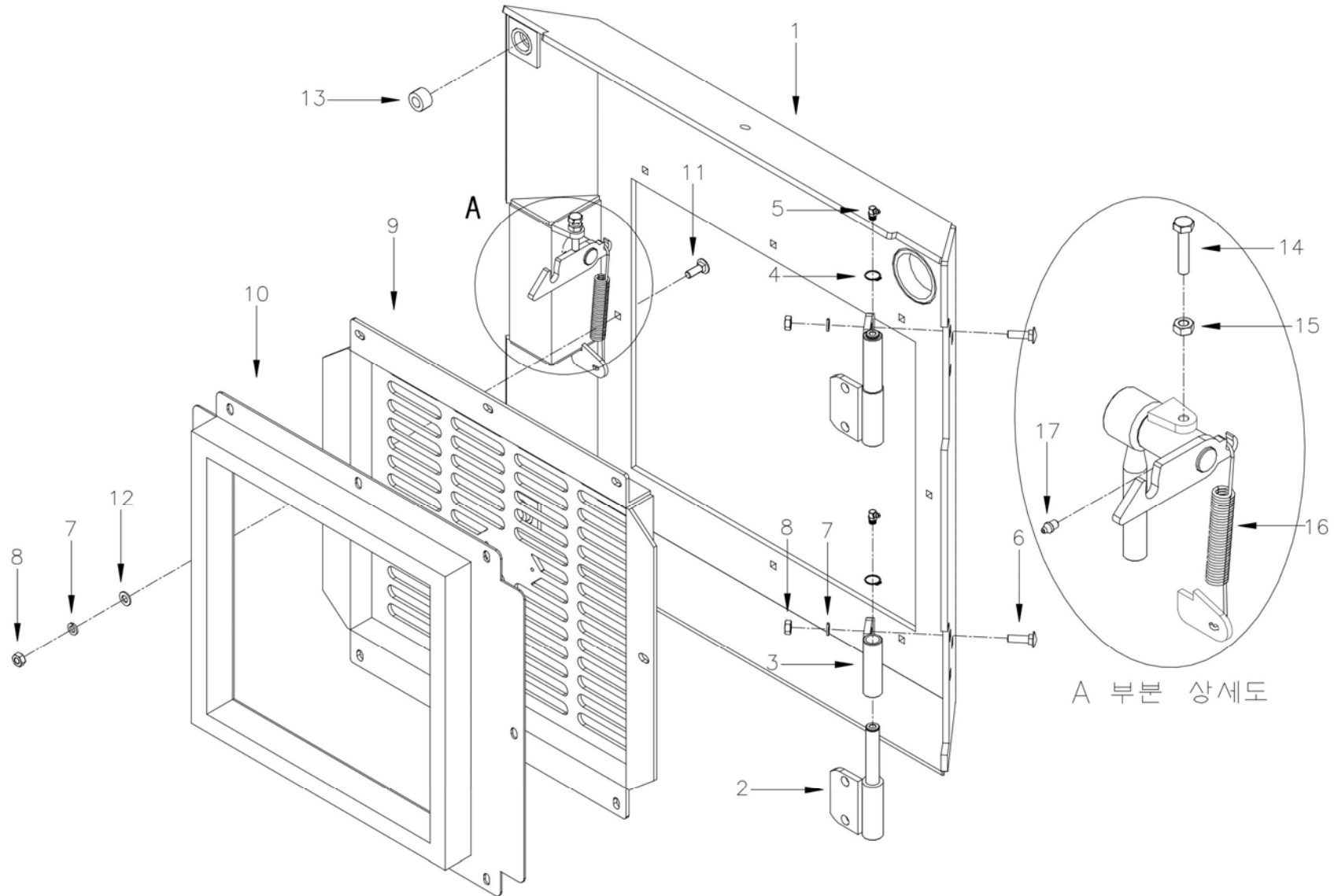
7. Tilt cylinder (버킷 실린더)				
No.	Name	Part No.	Quantity	Remarks
1	Rod (로드)	5701R-0701	1	
2	Honing pipe (호닝 관)	5701R-0702	1	
3	Dust seal (더스트 씬)	5701R-0703	1	
4	Rod seal (로드 씬)	5701R-0704	1	
5	Cap nut (캡 너트)	5701R-0705	1	
6	O-ring (오 링)	5701R-0706	1	
7	Backup ring(백업링)	5701R-0707	1	
8	DU Bushing (DU 부시)	5701R-0708	1	
9	Piston (피스톤)	5701R-0709	1	
10	Compact seal(컴팩트씬)	5701R-0710	1	
11	O-ring (오 링)	5701R-0711	1	
12	Nut (너트)	5701R-0712	2	
13	BI-METAL BUSH(BI 메탈 씬)	5701R-0713	2	
14	Grease nipple(그리스 니플)	5701R-0714	1	

8. Cover (커버)



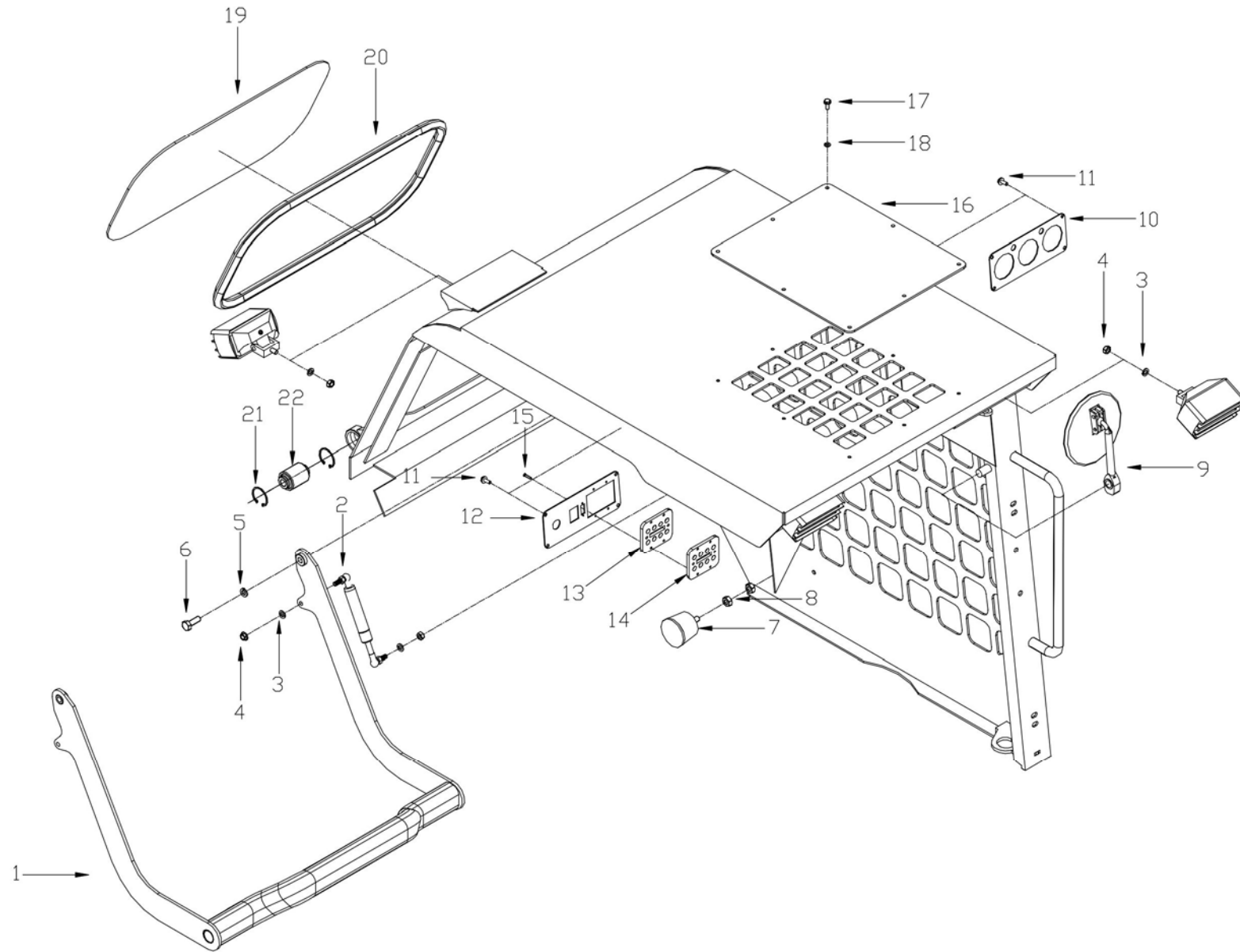
8. Cover (커버)				
No.	Name	Part No.	Quantity	Remarks
1	Spring washer (스프링 와셔)	5701R-0801	60	
2	Cover for motor (모터 커버)	5701R-0802	2	
3	Washer (와셔)	5701R-0803	24	
4	Front cover (앞쪽 커버)	5701R-0804	1	
5	Bolt (볼트)	5701R-0805	24	
6	Cap (마개)	5701R-0806	2	
7	Upper engine room cover (위쪽 엔진룸 커버)	5701R-0807	1	
8	Hinge (힌지)	5701R-0808	2	
9	Bolt (볼트)	5701R-0809	2	
10	Knob bolt (노브 볼트)	5701R-0810	2	
11	Support (받침대)	5701R-0811	2	
12	Gas-shock absorber (가스 쇼버)	5701R-0812	1	
13	Nut (너트)	5701R-0813	2	
14	Engine room cover (엔진룸카바)	5701R-0814	1	
15	Nut (너트)	5701R-0815	4	
16	Spring washer (스프링 와셔)	5701R-0816	4	
17	Square bolt (사각 볼트)	5701R-0817	4	
18	Service cover(정비커버)	5701R-0818	1	
19	Deck plate(바닥판)	5701R-0819	1	
20	Bonded seal (본딩 씬)	5701R-0820	2	
21	Snap ring(스냅링)	5701R-0821	4	
22	Rubber For Operator Cap (안전탑용 고무)	5701R-0822	2	
23	Bolt (볼트)	5701R-0823	2	

9. Engine room cover (엔진룸 커버)



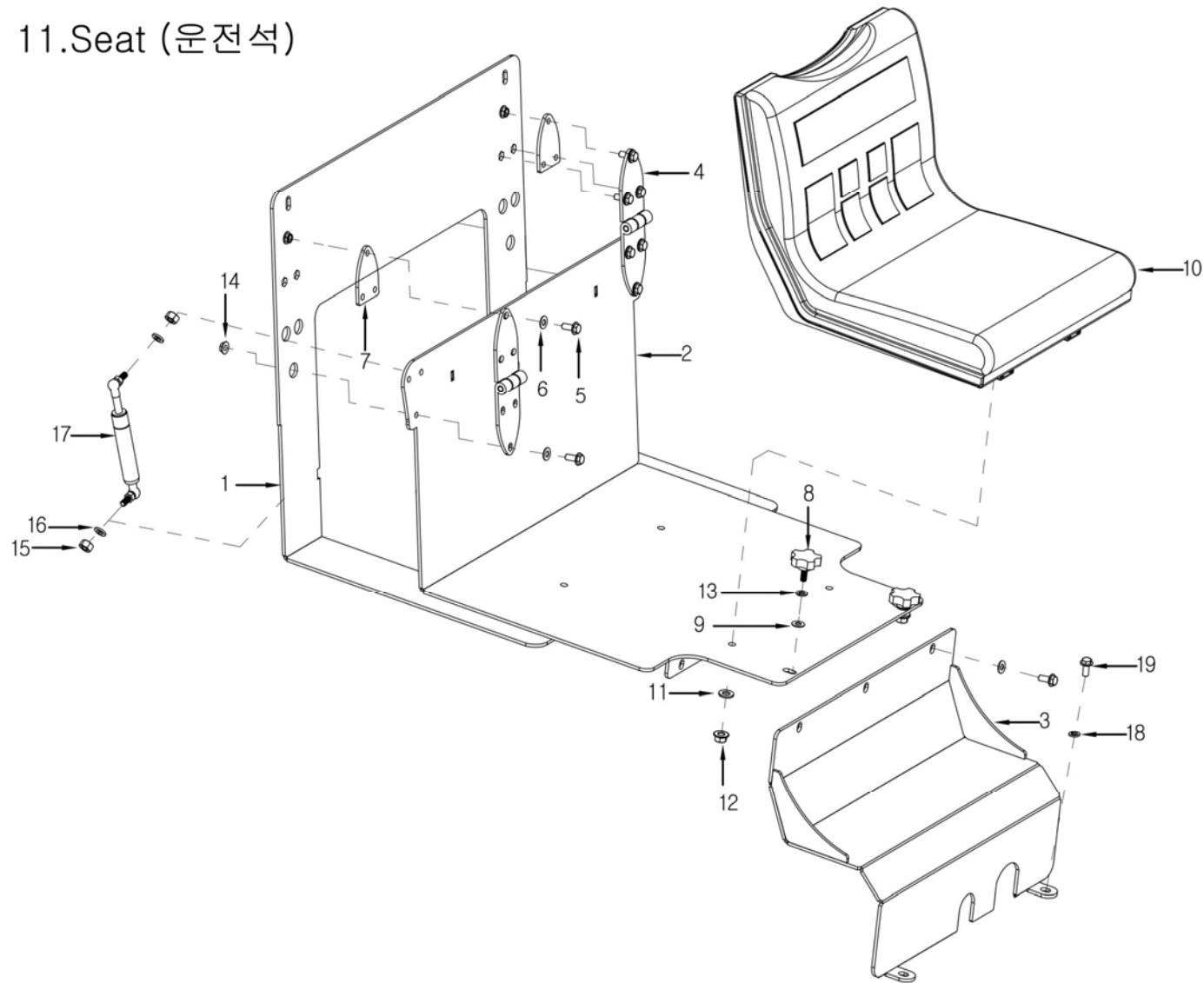
9. Engine room cover (엔진룸 커버)				
No.	Name	Part No.	Quantity	Remarks
1	Engine room cover (엔진 룸 커버)	5701R-0901	1	
2	Hinge shaft (힌지 축)	5701R-0902	2	
3	Hinge socket (힌지 소켓)	5701R-0903	2	
4	Snap ring (스냅링)	5701R-0904	2	
5	Grease nipple (그리스 니플)	5701R-0905	2	
6	Square head bolt (사각머리볼트)	5701R-0906	6	
7	Spring washer (스프링 와셔)	5701R-0907	14	
8	Nut (너트)	5701R-0908	14	
9	Auxiliary cover (보조 커버)	5701R-0909	1	
10	Guide (가이드)	5701R-0910	1	
11	Square head bolt (사각머리볼트)	5701R-0911	8	
12	Washer (와셔)	5701R-0912	8	
13	Rubber support (고무 받침)	5701R-0913	2	
14	Adjusting bolt (조정 볼트)	5701R-0914	1	
15	Nut (너트)	5701R-0915	1	
16	Spring (스프링)	5701R-0916	1	
17	Grease nipple (그리스 니플)	5701R-0917	1	

10. Operator cab, Standard (안전탑, 기본형)



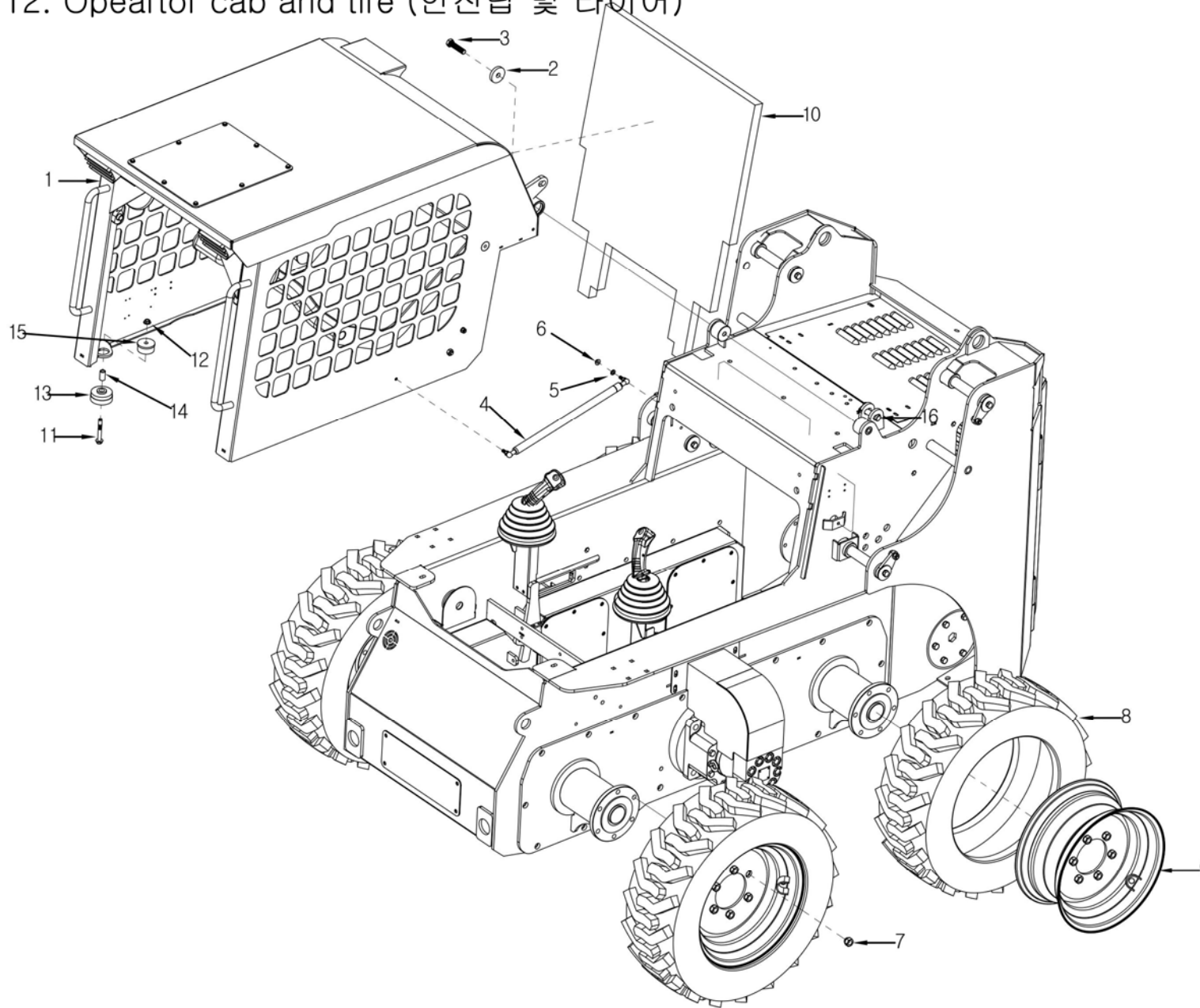
10. Operator cab, Standard (안전탑, 기본형)				
No.	Name	Part No.	Quantity	Remarks
1	Safey bar (안전바)	5701R-1001	1	
2	Gas-shock absorber (가스 쇼버)	5701R-1002	1	
3	Washer (와셔)	5701R-1003	7	
4	Nut (너트)	5701R-1004	13	
5	Washer (와셔)	5701R-1005	2	
6	Bolt (볼트)	5701R-1006	2	
7	Rubber support for safety bar (안전바용 고무받침)	5701R-1007	2	
8	Nut (너트)	5701R-1008	2	
9	Rear mirror (후사경)	5701R-1009	2	
10	Instrument panel I (계기판 I)	5701R-1010	1	
11	Bolt (볼트)	5701R-1011	8	
12	Instrument panel II (계기판 II)	5701R-1012	1	
13	Indicator for warning light (경고등 표시기)	5701R-1013	1	
14	Case for warning light (경고등 케이스)	5701R-1014	1	
15	Bolt (볼트)	5701R-1015	4	
16	Upper glass (위쪽 창)	5701R-1016	1	
17	Bolt (볼트)	5701R-1017	8	
18	Washer (와셔)	5701R-1018	6	
19	Rear glass (뒤쪽 창)	5701R-1019	1	
20	Molding rubber (몰딩 고무)	5701R-1020	1	
21	Snap ring (스냅링)	5701R-1021	4	
22	Rubber for operator cab (안전탑용 고무)	5701R-1022	2	
23	soundproof material (흡음제)	5701R-1023	1	

11.Seat (운전석)



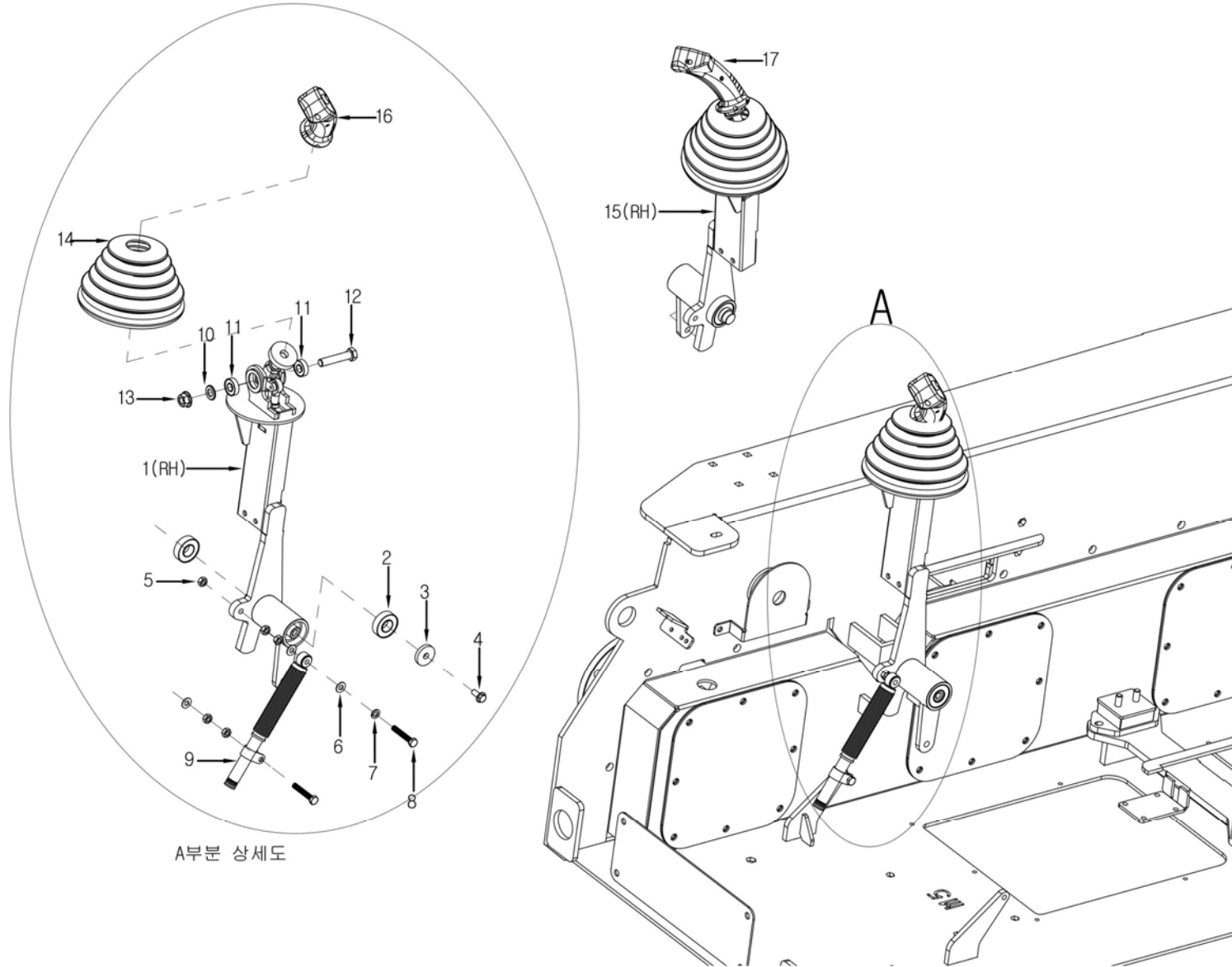
11. Seat (운전석)				
No.	Name	Part No.	Quantity	Remarks
1	Middle Cover(중간커버)	5701R-1101	1	
2	Fixed plate for seat(시트고정판)	5701R-1102	1	
3	Foot board for middle cover(중간커버발판)	5701R-1103	1	
4	Hinge (힌지)	5701R-1104	2	
5	Bolt (볼트)	5701R-1105	12	
6	Washer(와셔)	5701R-1106	12	
7	Support(받침대)	5701R-1107	2	
8	Knob bolt	5701R-1108	2	
9	Washer(와셔)	5701R-1109	2	
10	Seat(운전석)	5701R-1110	1	
11	Washer(와셔)	5701R-1111	4	
12	Nut(너트)	5701R-1112	4	
13	Washer(와셔)	5701R-1113	2	
14	Nut(너트)	5701R-1114	12	
15	Nut(너트)	5701R-1115	2	
16	Spring washer(스프링 와셔)	5701R-1116	2	
17	Gas-shock absorber(가스 쇼버)	5701R-1117	2	
18	Spring washer(스프링 와셔)	5701R-1118	5	
19	Bolt (볼트)	5701R-1119	5	

12. Operator cab and tire (안전탑 및 타이어)



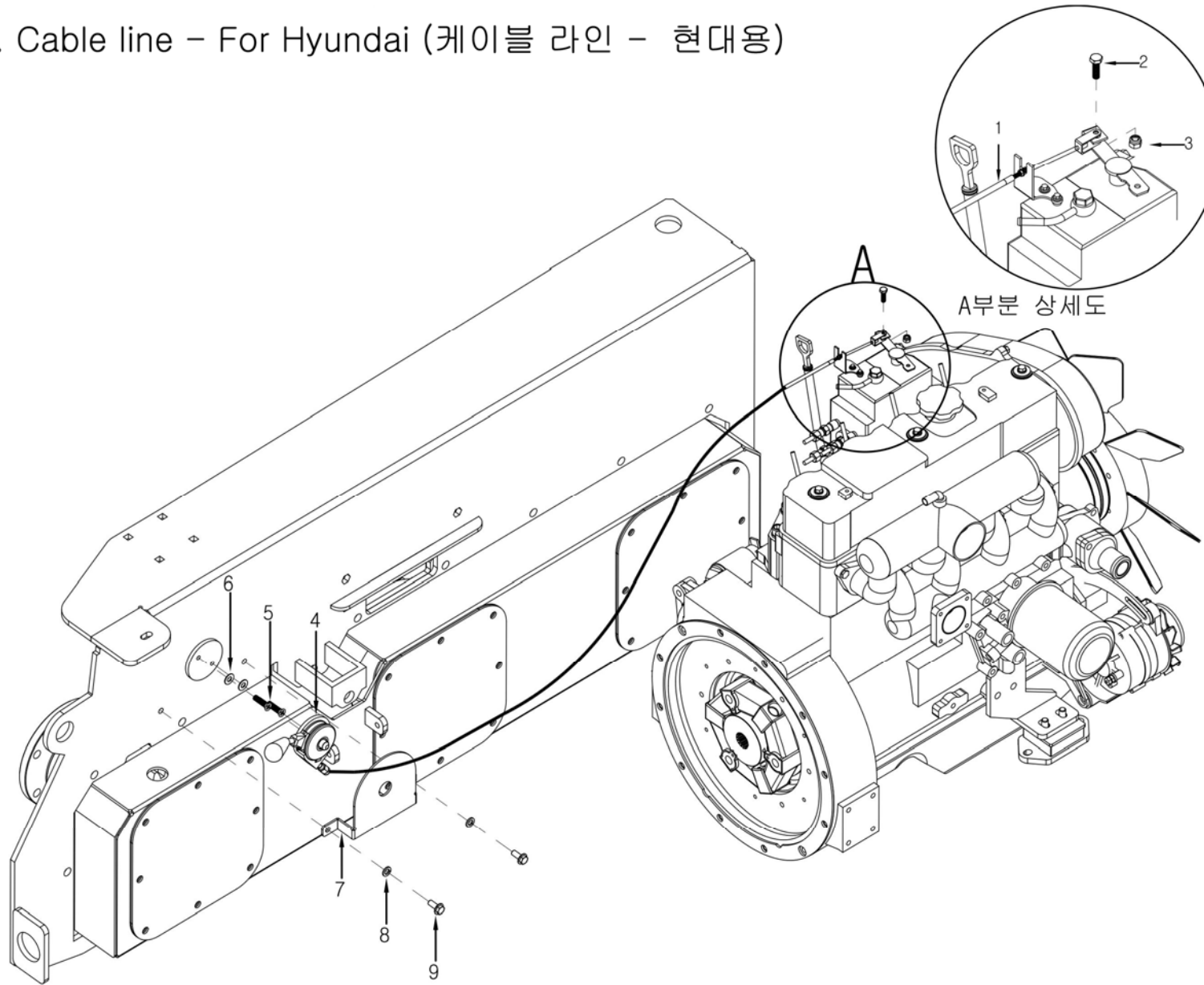
12. Opeartor cab and tire (안전탑 및 타이어)				
No.	Name	Part No.	Quantity	Remarks
1	Operator cab ass'y (안전탑 조합)	5701R-1201	1	
2	Bolt (볼트)	5701R-1202	2	
3	Washer (와셔)	5701R-1203	2	
4	Gas-shock absorber (가스 쇼버)	5701R-1204	2	
5	Spring washer(스프링와셔)	5701R-1205	2	
6	Nut (너트)	5701R-1206	2	
7	Wheel nut (휠 너트)	5701R-1207	24	
8	Tire (타이어)	5701R-1208	4	
9	Wheel(휠)	5701R-1209	4	
10	soundproof material (흡음제)	5701R-1210	1	
11	Bolt (볼트)	5701R-1211	2	
12	Nut (너트)	5701R-1212	2	
13	Vibroisolating rubber (방진 고무)	5701R-1213	2	
14	Spacer (간격통)	5701R-1214	2	
15	Rubber (고무)	5701R-1215	2	
16	Fixed Pin (고정 핀)	5701R-1216	1	

13. Steering levers (조향 장치)



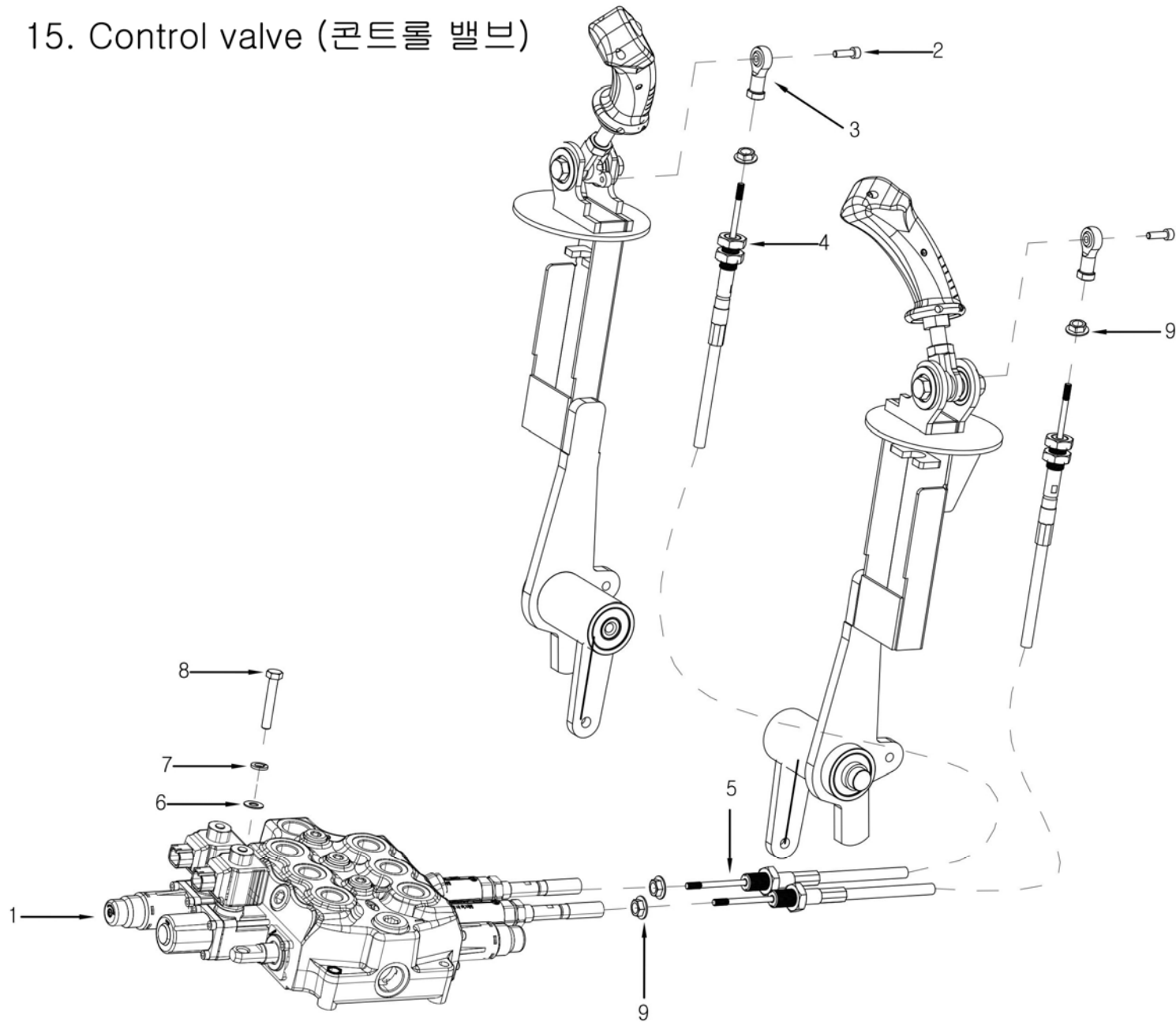
13. Steering levers (조향 장치)				
No.	Name	Part No.	Quantity	Remarks
1	Steering lever LH (조향장치레바 RH)	5701R-1301	1	
2	Bearing (베어링)	5701R-1302	4	
3	Washer (와셔)	5701R-1303	2	
4	Bolt (볼트)	5701R-1304	7	
5	Nut (너트)	5701R-1305	10	
6	Washer (와셔)	5701R-1306	4	
7	Spring washer(스프링와셔)	5701R-1307	4	
8	Bolt (볼트)	5701R-1308	4	
9	Shock-absorber for seat (시트 쇼바)	5701R-1309	2	
10	Washer (와셔)	5701R-1310	2	
11	Bearing (베어링)	5701R-1311	4	
12	Bolt (볼트)	5701R-1312	2	
13	Nut (너트)	5701R-1313	2	
14	Protective cover for Steering levers (조향핸들용 보호커버)	5701R-1314	2	
15	Steering lever LH (조향장치레바 LH)	5701R-1315	1	
16	Handle RH (조향핸들 RH)	5701R-1316	1	
17	Handle LH (조향핸들 LH)	5701R-1317	1	

14. Cable line – For Hyundai (케이블 라인 – 현대용)



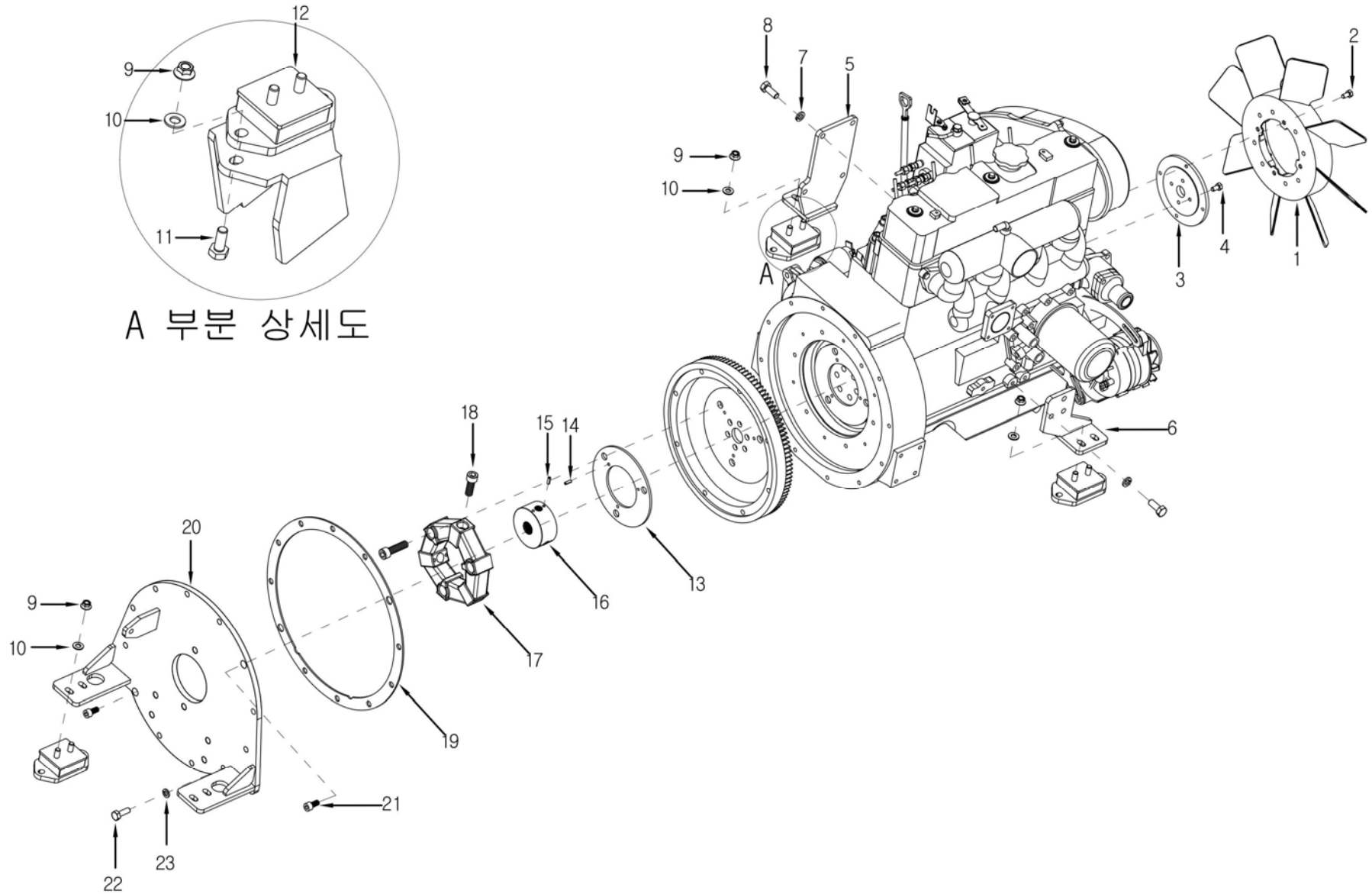
14. Cable line - For Hyundai (케이블 라인 - 현대용)				
No.	Name	Part No.	Quantity	Remarks
1	Accelerator cable ass'y (조속 케이블 조합)	5701R-1401	1	
2	Bolt (볼트)	5701R-1402	1	
3	Nut (너트)	5701R-1403	1	
4	Accelerator lever ass'y (조속 레버 조합)	5701R-1404	1	
5	Flat bolt (접시 볼트)	5701R-1405	2	
6	Washer (와셔)	5701R-1406	2	
7	Joystick Cover(조이스틱 커버)	5701R-1407	1	
8	Spring Washer	5701R-1408	2	
9	Bolt (볼트)	5701R-1409	2	

15. Control valve (콘트롤 밸브)



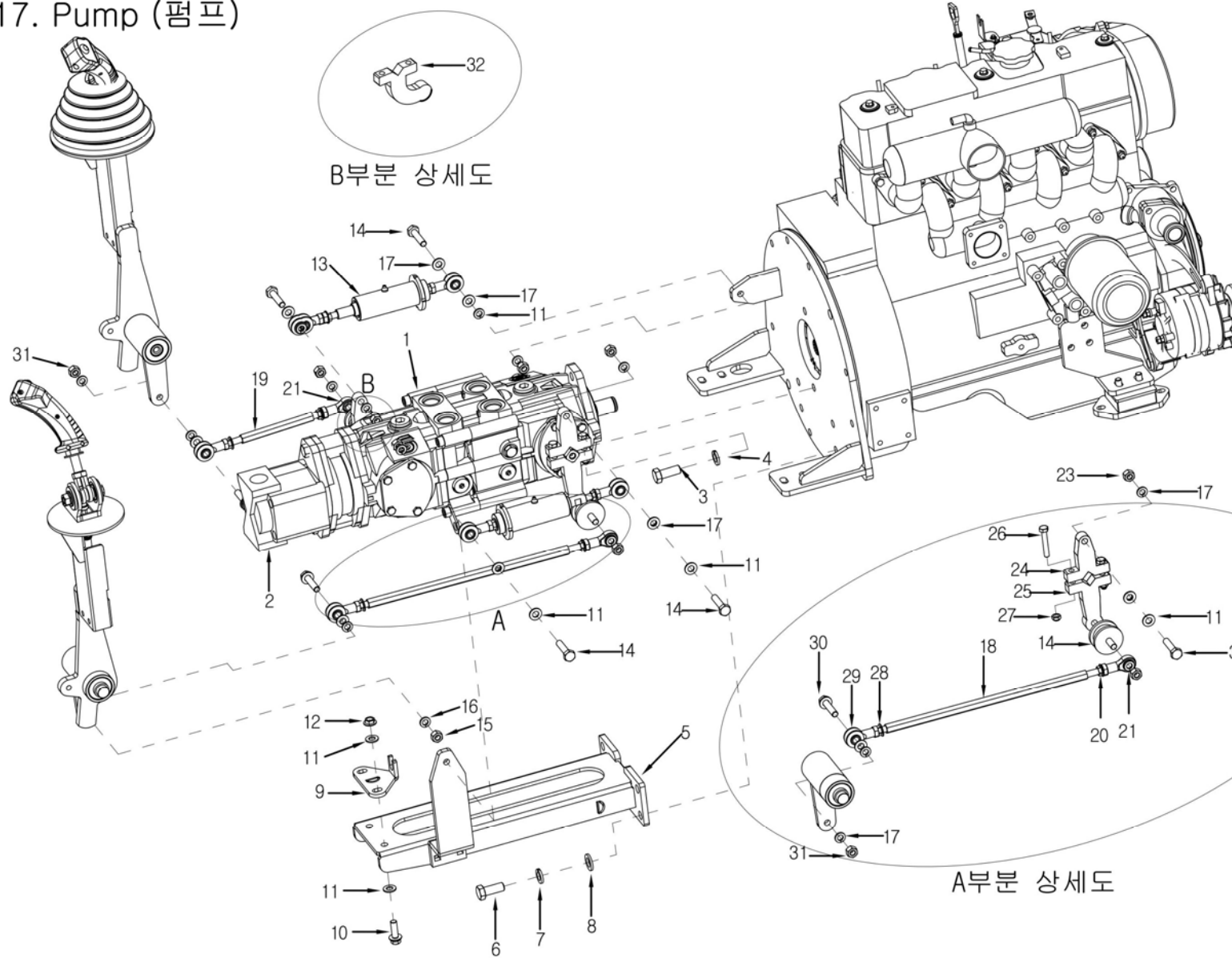
15. Control valve (콘트롤 밸브)				
No.	Name	Part No.	Quantity	Remarks
1	Control valve (콘트롤 밸브)	5701R-1501	1	
2	Bolt (볼트)	5701R-1502	2	
3	Rod end (로드 엔드)	5701R-1503	2	
4	Nut (너트)	5701R-1504	6	
5	Cable (케이블)	5701R-1505	2	
6	Washer(와셔)	5701R-1506	4	
7	Spring Washer(스프링와셔)	5701R-1507	4	
8	Bolt (볼트)	5701R-1508	4	
9	Nut (너트)	5701R-1509		

16. Engine - For Hyundai (엔진 - 현대용)



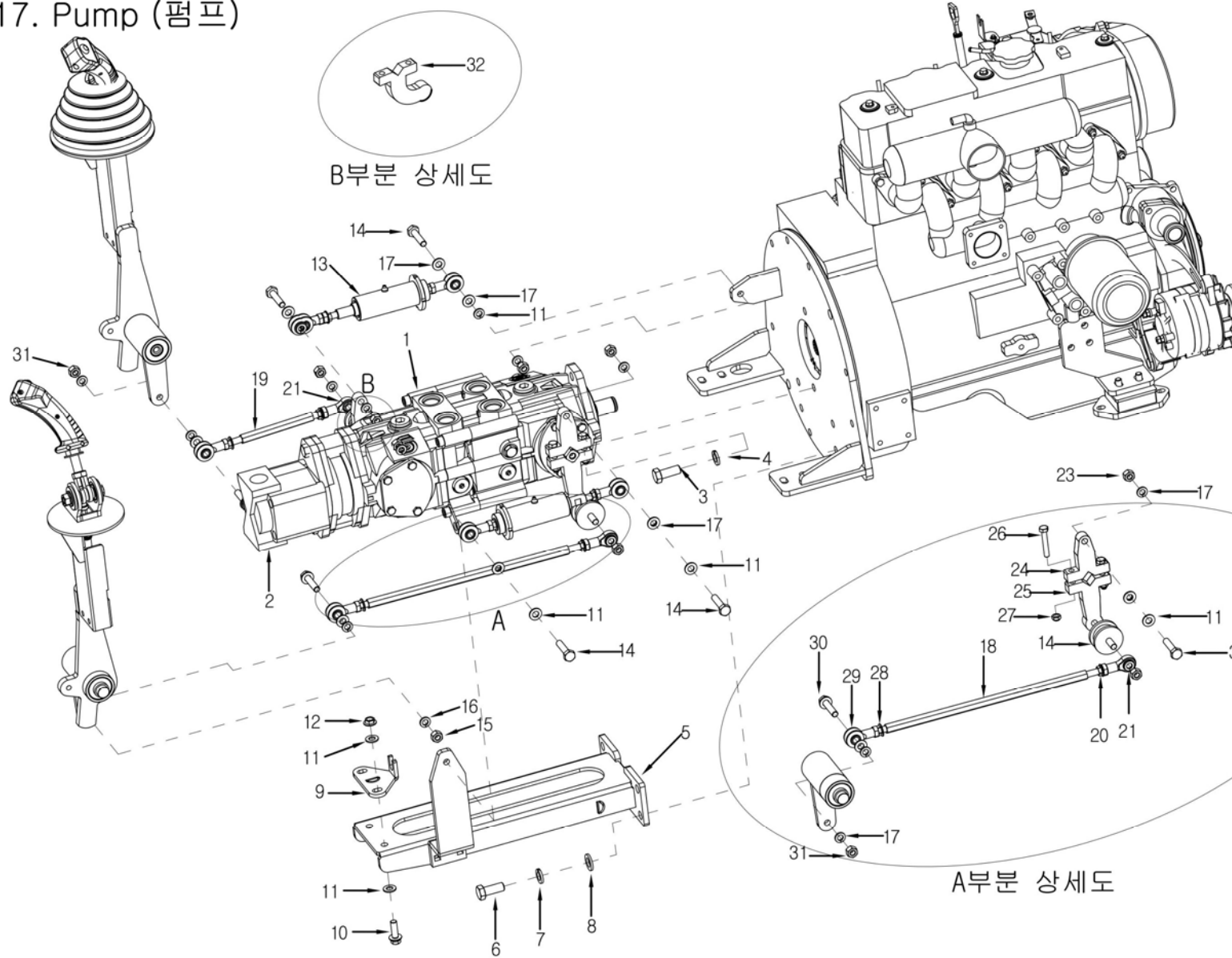
16. Engine - For Hyundai (엔진 - 현대용)				
No.	Name	Part No.	Quantity	Remarks
1	Fan (팬)	5701R-1601	1	
2	Bolt (볼트)	5701R-1602	4	
3	Fixed plate for fan (팬 고정판)	5701R-1603	1	
4	Bolt (볼트)	5701R-1604	4	
5	Fixed plate for engine (RH) (오른쪽 엔진 고정판)	5701R-1605	1	
6	Fixed plate for engine (LH) (왼쪽 엔진 고정판)	5701R-1606	1	
7	Washer (와셔)	5701R-1607	7	
8	Bolt (볼트)	5701R-1608	7	
9	Nut (너트)	5701R-1609	8	
10	Washer (와셔)	5701R-1610	8	
11	Bolt (볼트)	5701R-1611	4	
12	Vibroisolating rubber (방진 고무)	5701R-1612	2	
13	Spacing plate (간격판)	5701R-1613	1	
14	Center pin (센터 핀)	5701R-1614	3	
15	Center pin (센터 핀)	5701R-1615	6	
16	Socket (소켓)	5701R-1616	1	
17	Coupling rubber (연결 고무)	5701R-1617	1	
18	Cap screw (렌지 볼트)	5701R-1618	6	
19	Spacing plate for wheel (휠 간격판)	5701R-1619	1	
20	Fixed plate for pump (펌프 고정판)	5701R-1620	1	
21	Center bolt (센터 볼트)	5701R-1621	2	
22	Bolt (볼트)	5701R-1622	10	
23	Washer (와셔)	5701R-1623	10	

17. Pump (펌프)



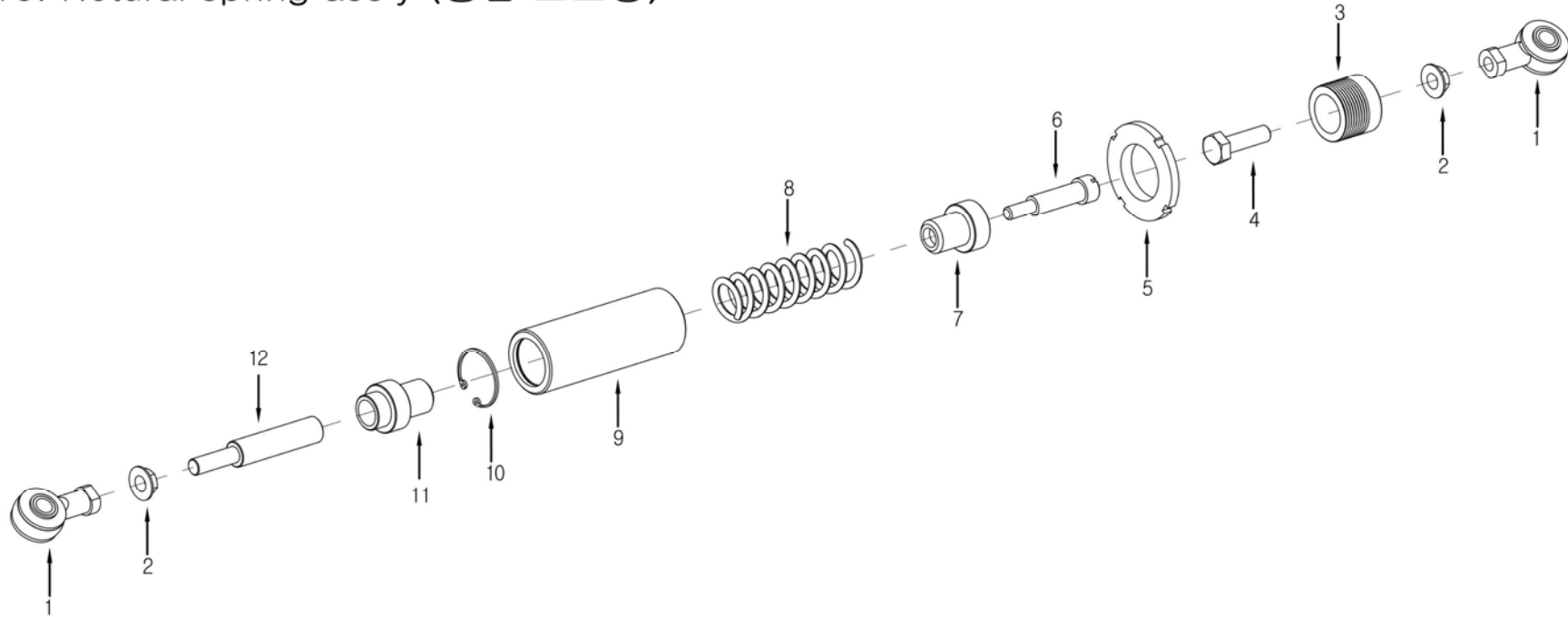
17. Pump (펌프)				
No.	Name	Part No.	Quantity	Remarks
1	Pump (펌프)	5701R-1701	1	
2	Aux. pump (보조 펌프)	5701R-1702	1	
3	Bolt (볼트)	5701R-1703	2	
4	Spring washer (스프링 와셔)	5701R-1704	2	
5	Fixed plate for pump (펌프 고정판)	5701R-1705	1	
6	Bolt (볼트)	5701R-1706	4	
8	Washer (와셔)	5701R-1707	4	
9	Coupling plate (연결판)	5701R-1708	1	
10	Bolt (볼트)	5701R-1709	2	
11	Washer (와셔)	5701R-1710	2	
12	Nut (너트)	5701R-1711	2	
13	Neutral spring ass'y (중립 스프링 조합)	5701R-1712	2	
14	Bolt (볼트)	5701R-1713	4	
15	Nut (너트)	5701R-1714	2	
16	Washer (와셔)	5701R-1715	8	
17	Washer (와셔)	5701R-1716	10	
18	Control rod LH (왼쪽 조정 로드)	5701R-1717	1	
19	Control rod RH (오른쪽 조정 로드)	5701R-1718	1	
20	Nut L (너트 L)	5701R-1719	2	
21	Rod end L (로드 엔드 L)	5701R-1720	2	
22	Vibroisolating rubber (방진 고무)	5701R-1721	2	
23	Nut (너트)	5701R-1722	2	
24	Steering rod, upper (조향 로드)상	5701R-1723	2	
25	Steering rod, lower LH (조향 로드)하-왼쪽	5701R-1724	1	

17. Pump (펌프)



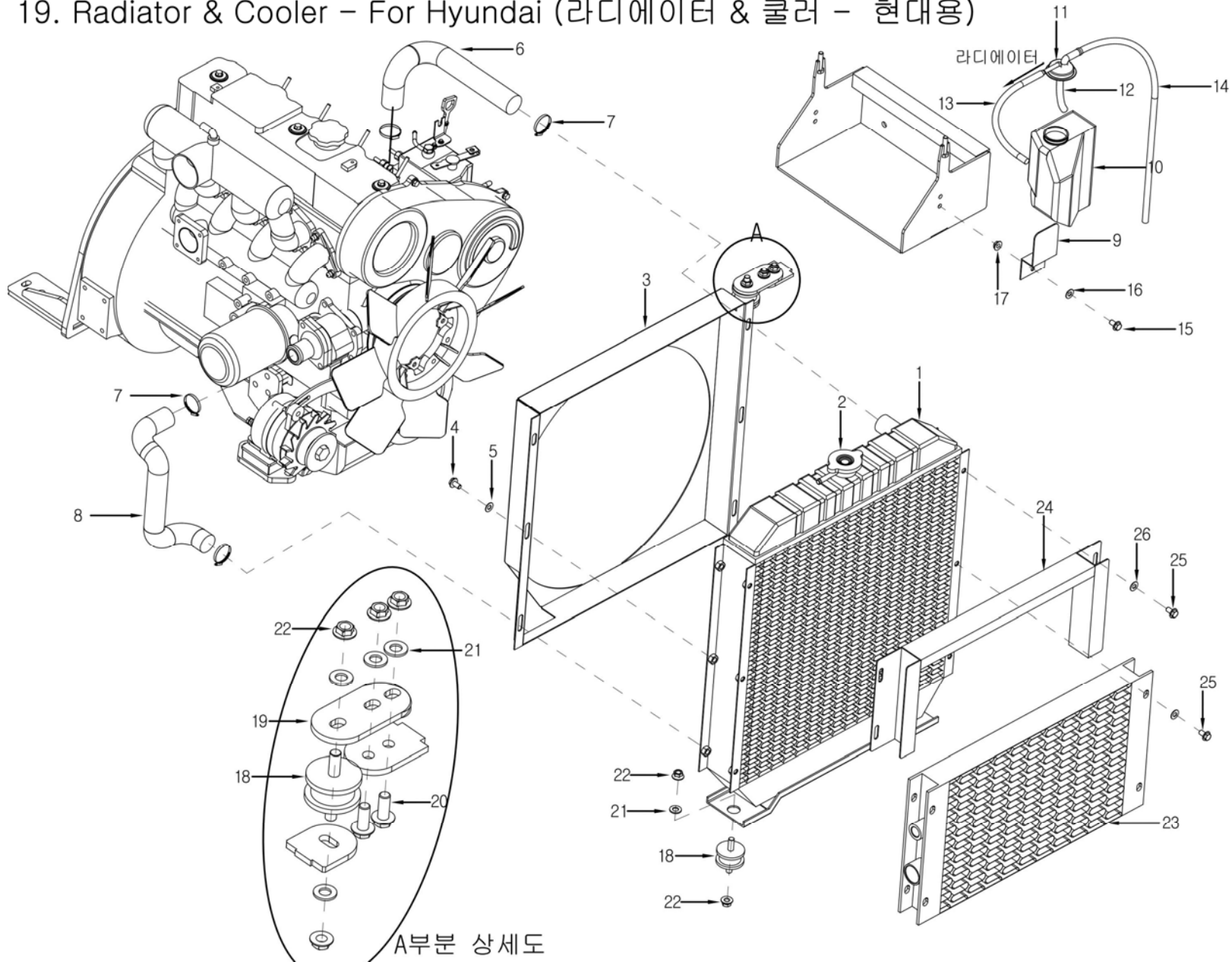
17. Pump (펌프) (Cont'd) (계속)				
No.	Name	Part No.	Quantity	Remarks
26	Bolt (볼트)	5701R-1725	4	
27	Nut (너트)	5701R-1726	2	
28	Nut R (너트 R)	5701R-1727	2	
29	Rod end R (로드 엔드 R)	5701R-1728	2	
30	Bolt (볼트)	5701R-1729	2	
31	Nut (너트)	5701R-1730	4	
32	Steering rod, lower RH (조향 로드)하-오른쪽	5701R-1731	1	

18. Netural spring ass'y (중립 스프링)



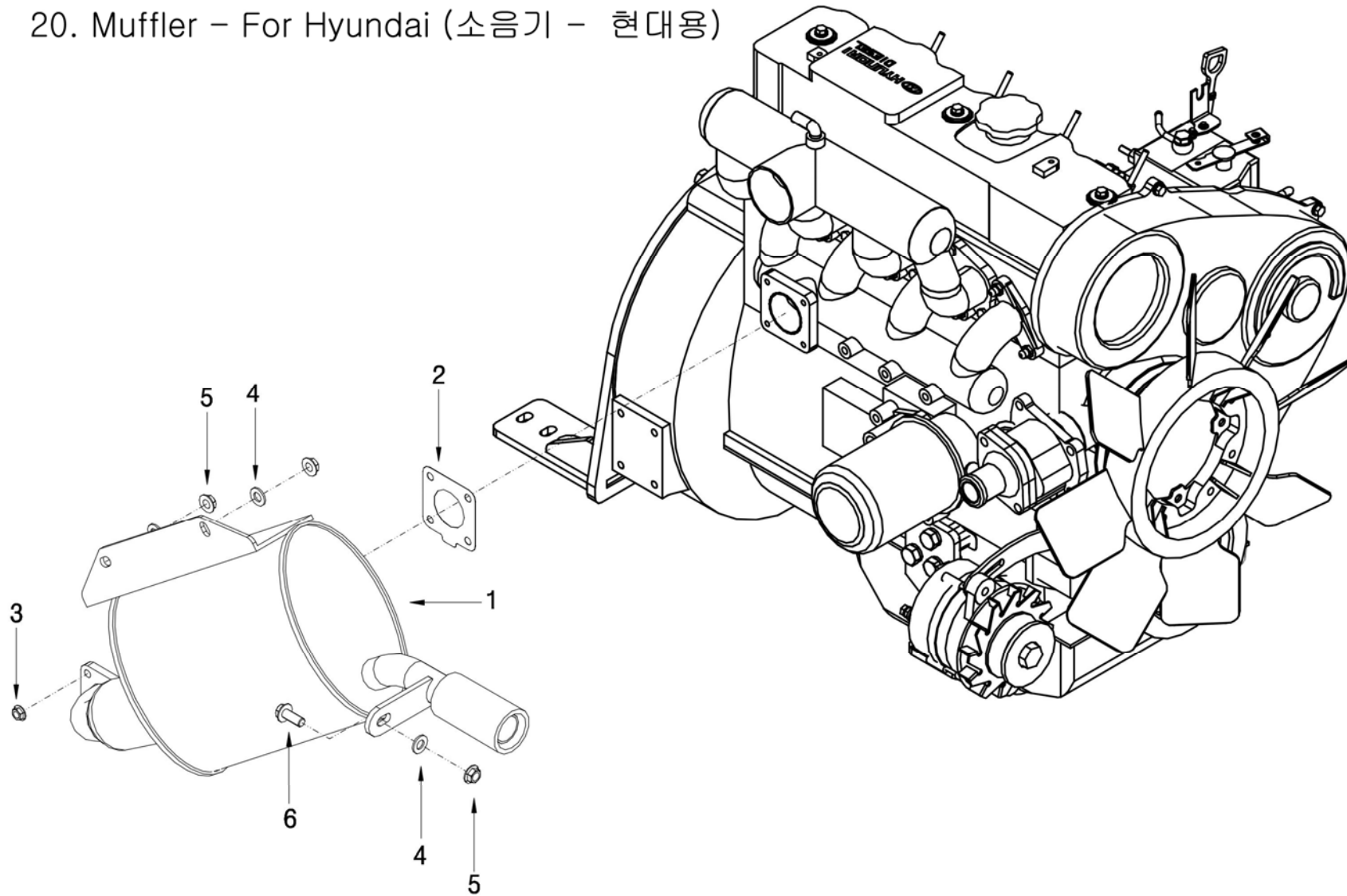
18. Natural spring ass'y (중립 스프링)				
No.	Name	Part No.	Quantity	Remarks
1	Rod end (로드 엔드)	5701R-1801	2	
2	Nut (너트)	5701R-1802	2	
3	Adjusting bolt (조정 볼트)	5701R-1803	1	
4	Bolt (볼트)	5701R-1804	1	
5	Lock nut (잠금 너트)	5701R-1805	1	
6	Fixed pin (고정 핀)	5701R-1806	1	
7	Spring holder 1 (스프링 걸이 1)	5701R-1807	1	
8	Spring (스프링)	5701R-1808	1	
9	Case (케이스)	5701R-1809	1	
10	Snap ring (스냅 링)	5701R-1810	1	
11	Spring holder 2 (스프링 걸이 2)	5701R-1811	1	
12	Coupling rod (연결 봉)	5701R-1812	1	

19. Radiator & Cooler – For Hyundai (라디에이터 & 쿨러 - 현대용)



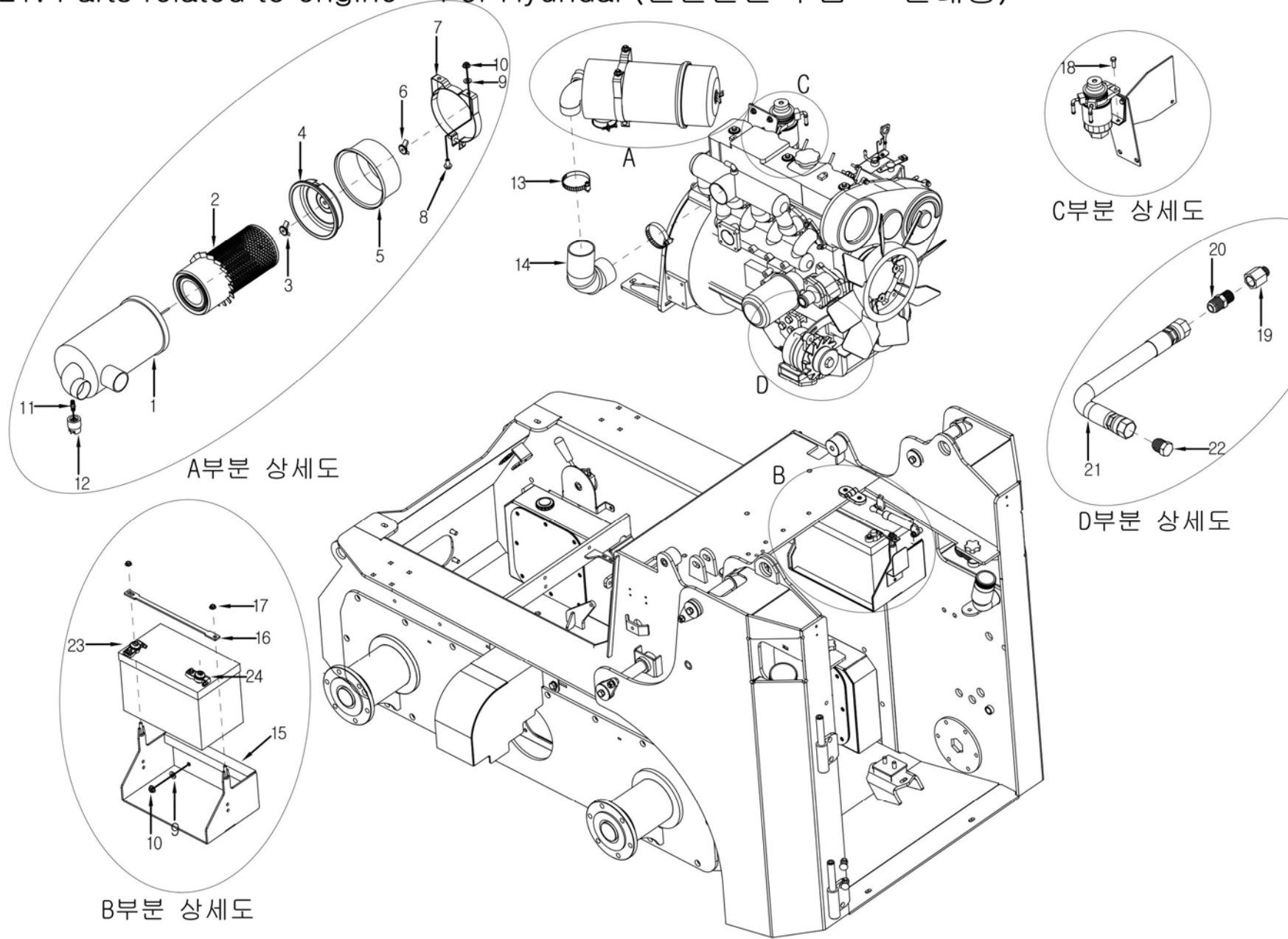
19. Radiator & Cooler - For Hyundai (라디에이터 & 쿨러 - 현대용)				
1	Radiator (라디에이터)	5701R-1901	11	
2	Radiator cap (라디에이터 캡)	5701R-1902	1	
3	Fan cover (팬 커버)	5701R-1903	1	
4	Bolt (볼트)	5701R-1904	6	
5	Washer (와셔)	5701R-1905	6	
6	Upper radiator hose (상단 라디에이터 호스)	5701R-1906	1	
7	Hose band (호스 밴드)	5701R-1907	4	
8	Lower radiator hose (하단 라디에이터 호스)	5701R-1908	1	
9	Fixed plate for aux. water tank (보조 물 탱크용 고정판)	5701R-1909	1	
10	Aux. water tank (보조 물 탱크)	5701R-1910	1	
11	Water tank cap (보조 물 탱크 캡)	5701R-1911	1	
12	Water tank hose (보조 물 탱크 호스)	5701R-1912	1	
13	Coupling hose (연결 호스)	5701R-1913	1	
14	Drain hose (퇴유 호스)	5701R-1914	1	
15	Bolt (볼트)	5701R-1915	2	
16	Washer (와셔)	5701R-1916	2	
17	Nut (너트)	5701R-1917	2	
18	Vibroisolating rubber (방진 고무)	5701R-1918	3	
19	A fixed plate (고정판)	5701R-1919	1	
20	Bolt (볼트)	5701R-1920	2	
21	Washer (와셔)	5701R-1921	6	
22	Nut (너트)	5701R-1922	8	
23	Oil cooler (오일 쿨러)	5701R-1923	1	
24	Guide for cooler (쿨러 가이드)	5701R-1924	1	
25	Bolt (볼트)	5701R-1925	8	
26	Plain washer (평 와셔)	5701R-1926	8	

20. Muffler – For Hyundai (소음기 – 현대용)



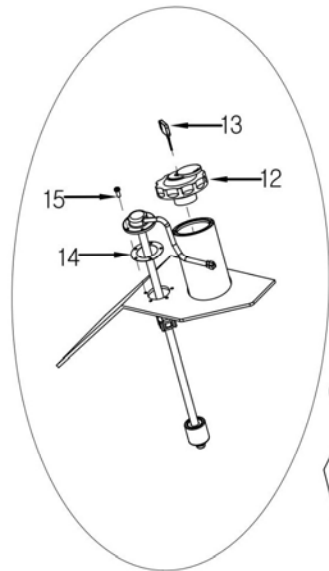
20. Muffler - For Hyundai (소음기 - 현대용)				
No.	Name	Part No.	Quantity	Remarks
1	Muffler assy (소음기조합) (Assembly with coupling tube)	5701R-2001	1	
2	Gasket (가스켓)	5701R-2002	1	
3	Nut (너트)	5701R-2003	4	
4	Washer (와셔)	5701R-2004	3	
5	Nut (너트)	5701R-2005	3	
6	Bolt (볼트)	5701R-2006	1	

21. Parts related to engine – For Hyundai (엔진관련 부품 – 현대용)

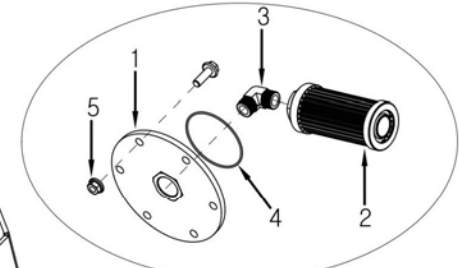
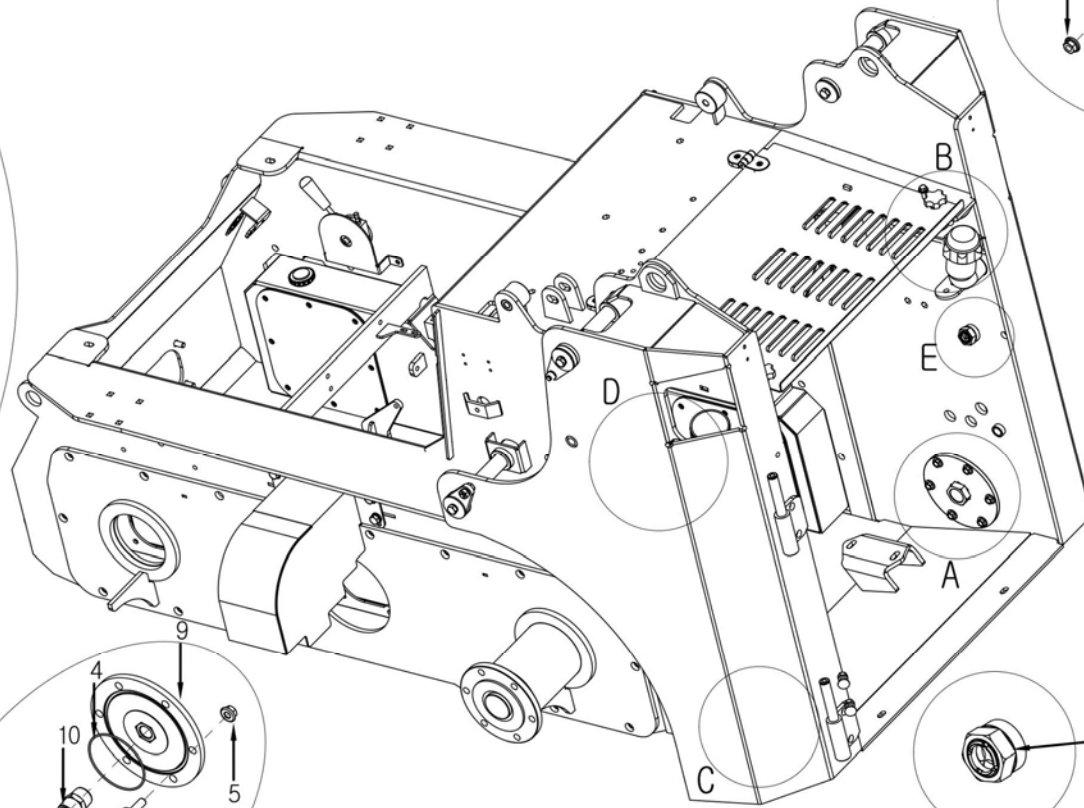


21. Parts related to engine - For Hyundai (엔진관련 부품 - 현대용)				
No.	Name	Part No.	Quantity	Remarks
1	Air cleaner case (에어크리너 케이스)	5701R-2101	1	
2	Filter element (에어크리너 필터)	5701R-2102	1	
3	Thumb nut (나비 너트)	5701R-2103	1	
4	Split plate (분리판)	5701R-2104	1	
5	Bottom cap (하단 캡)	5701R-2105	1	
6	Thumb nut (나비 너트)	5701R-2106	1	
7	Clamp (크램프)	5701R-2107	1	
8	Bolt (볼트)	5701R-2108	2	
9	Washer (와셔)	5701R-2109	6	
10	Nut (너트)	5701R-2110	8	
11	Coupling nipple (연결 니플)	5701R-2111	1	
12	Dust indicator (먼지 표시기)	5701R-2112	1	
13	Hose band (호스 밴드)	5701R-2113	2	
14	Air cleaner hose 1 (에어크리너 호스 1)	5701R-2114	1	
15	Battery case (배터리 케이스)	5701R-2115	1	
16	Fixed plate (고정판)	5701R-2116	1	
17	Nut (너트)	5701R-2117	2	
18	Bolt (볼트)	5701R-2118	2	
19	Reducer (레듀샤)	5701R-2119	1	
20	Coupling nipple (연결 니플)	5701R-2120	1	
21	Drain hose (퇴유 호스)	5701R-2121	1	
22	Cap (캡)	5701R-2122	1	
23	Terminal (-) ((-) 단자)	5701R-2123	1	
24	Terminal (+) ((+) 단자)	5701R-2124	1	

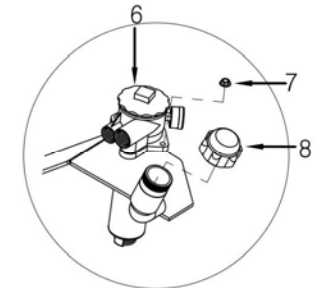
22. Hydraulics and fuel tank (유압 및 연료 탱크)



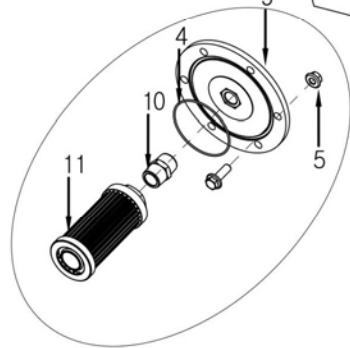
D부분 상세도



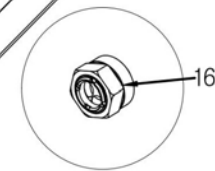
A부분 상세도



B부분 상세도



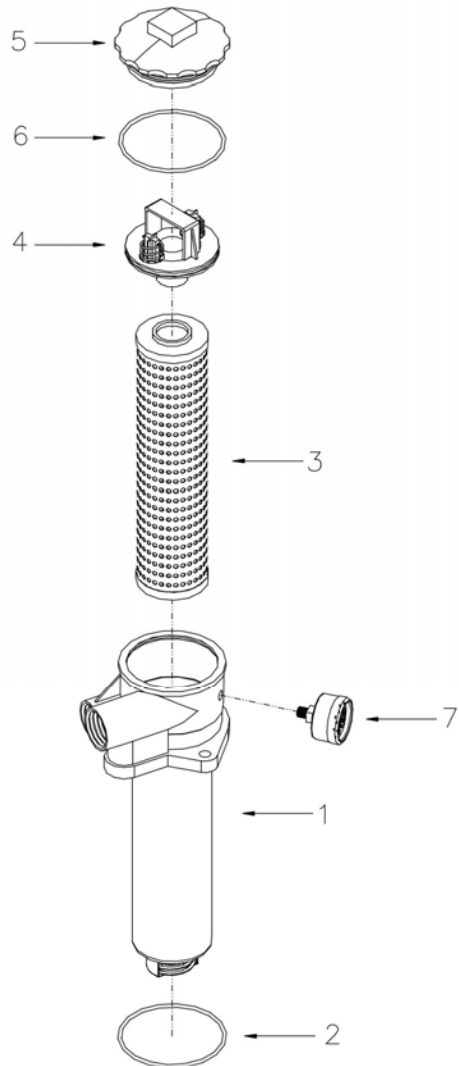
C부분 상세도



E부분 상세도

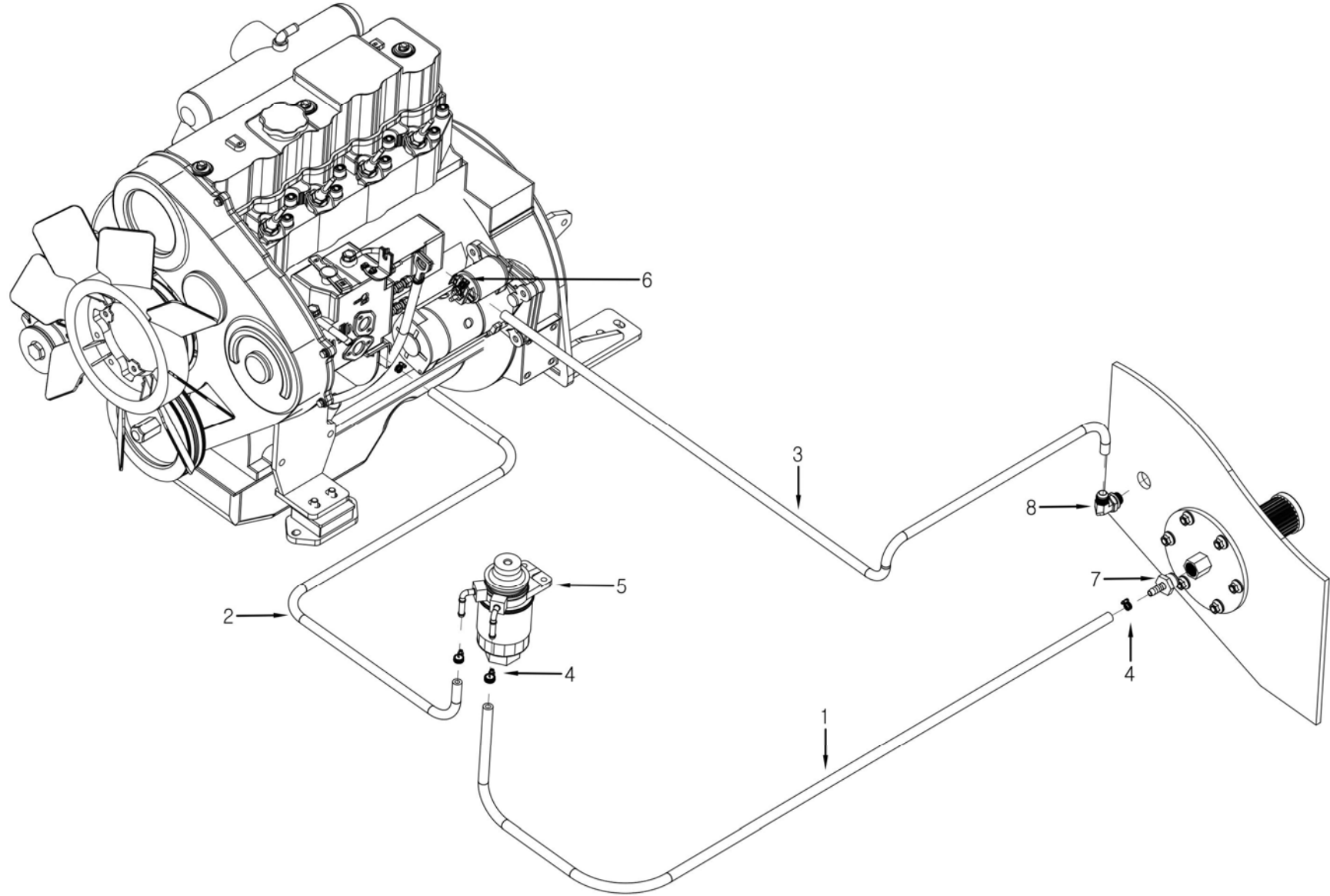
22. Hydraulics and fuel tank (유압 및 연료 탱크)				
No.	Name	Part No.	Quantity	Remarks
1	Fixed plate for filter (필터 고정판)	5701R-2201	1	
2	Suction filter for hyd' oil (hyd' oil filter) (석션 필터, 유압)	5701R-2202	1	
3	Coupling nipple (연결 니플)	5701R-2203	1	
4	O-ring (오 링)	5701R-2204	2	
5	Nut (너트)	5701R-2205	12	
6	Dual filter ass'y (suction * spin-on) (복합필터조합 석션*리턴)	5701R-2206	1	
7	Nut (너트)	5701R-2207	2	
8	Hyd' oil cap (유압 오일 캡)	5701R-2208	1	
9	Fixed plate for filter (필터 고정판)	5701R-2209	1	
10	Coupling nipple (연결 니플)	5701R-2210	1	
11	Suction filter for fuel (fuel filter) (석션 필터, 경유)	5701R-2211	1	
12	Fuel cap (연료 캡)	5701R-2212	1	
13	key (열쇠)	5701R-2213	1	
14	Gasket (가스켓)	5701R-2214	1	
15	Bolt (볼트)	5701R-2215	5	
16	Hyd' oil level gauge (유량 게이지)	5701R-2216	1	

23. Dual hyd' oil filter (복합필터)



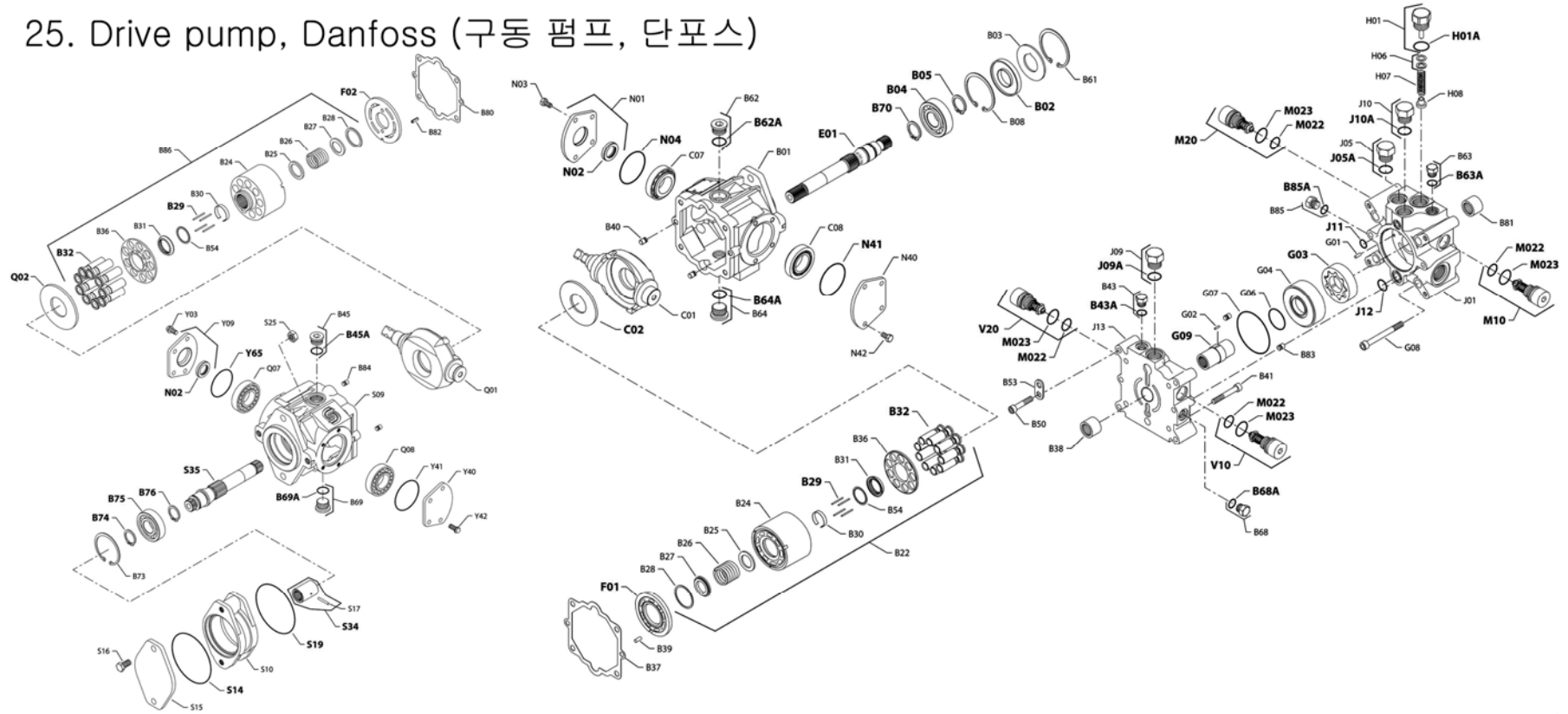
23. Dual hyd' oil filter (복합필터)				
No.	Name	Part No.	Quantity	Remarks
1	Case (케이스)	5701R-2301	1	
2	O-ring (오 링)	5701R-2302	1	
3	Filter (필터)	5701R-2303	1	
4	Plate for filter holder (필터 잡이 판)	5701R-2304	1	
5	Cap (캡)	5701R-2305	1	
6	O-ring (오 링)	5701R-2306	1	
7	Pressure gauge (압력 게이지)	5701R-2307	1	

24. Fuel line - For Hyundai (연료 라인 - 현대용)



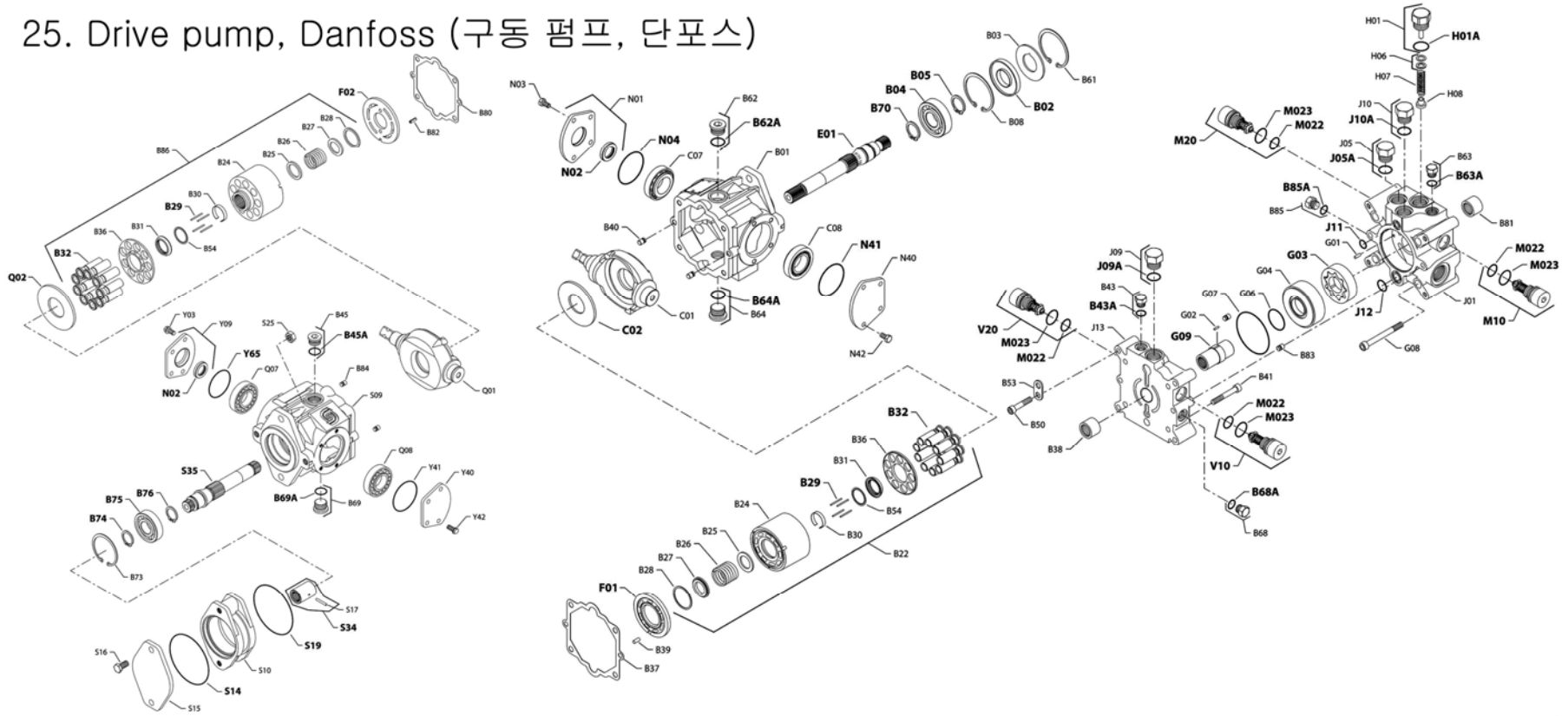
24. Fuel line - For Hyundai (연료 라인 - 현대용)				
No.	Name	Part No.	Quantity	Remarks
1	Input hose (입력 호스)	5701R-2401	1	
2	Coupling hose (연결 호스)	5701R-2402	1	
3	Drain hose (퇴유 호스)	5701R-2403	1	
4	Band (밴드)	5701R-2404	4	
5	Fuel filter ass'y (연료 필터 조합)	5701R-2405	1	
6	Band (밴드)	5701R-2406	2	
7	Nipple for hose holder, suction (호스 잡이 니플, 흡입)	5701R-2407	1	
8	Nipple for hose holder, drain (호스 잡이 니플, 퇴유)	5701R-2408	1	

25. Drive pump, Danfoss (구동 펌프, 단포스)



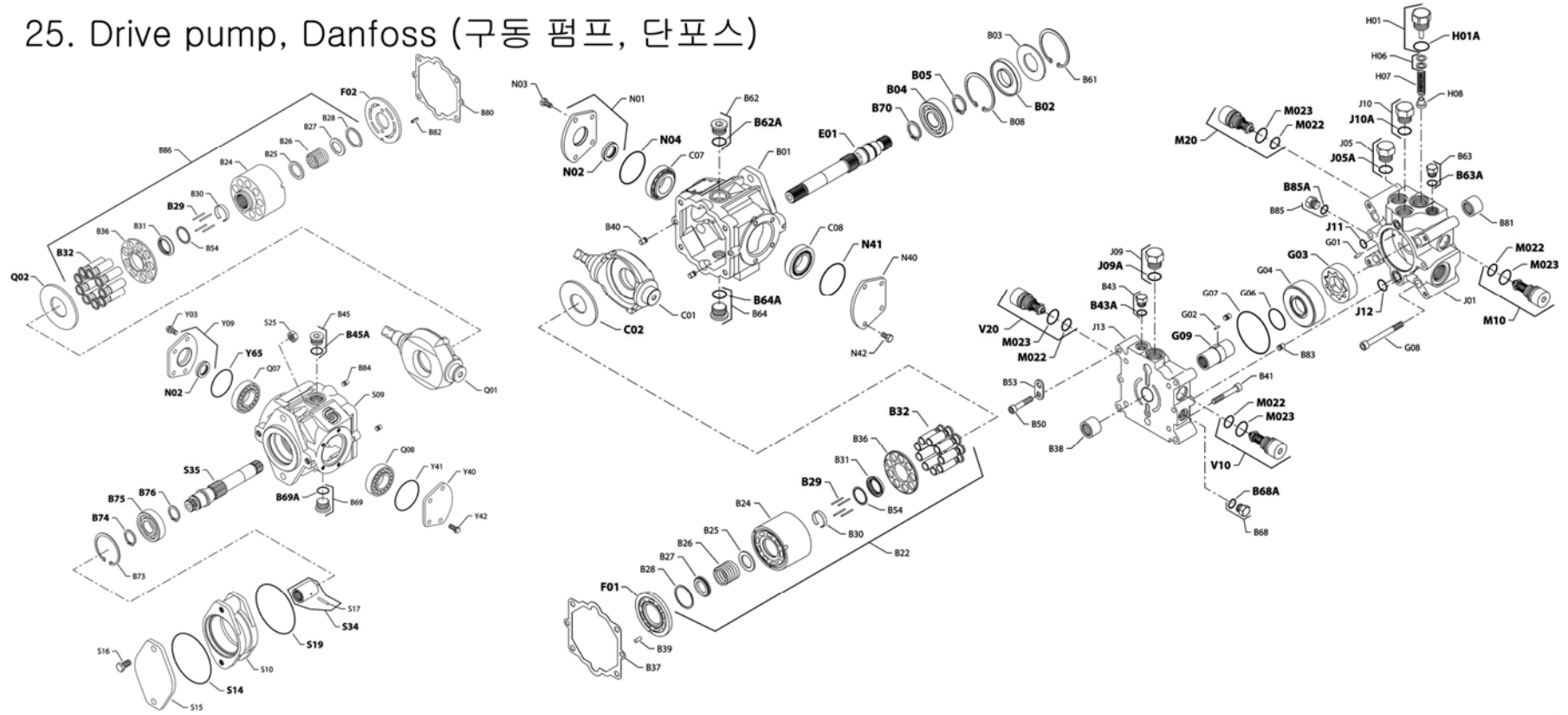
25. Drive pump, Danfoss (구동 펌프, 단포스)				
No.	Name	Part No.	Quantity	Remarks
B01	Housing, front pump	4350350	1	
B02	Lip seal	5000689	1	
B03	Support washer	4350455	1	
B04	Ball bearing	5000731	1	
B05	Retaining ring	9006300-0137	1	
B08	Internal retaining ring	9006200-0281	1	
B22	Cylinder block kit	4440004	1	
B24	Cylinder block	4440049	2	
B25	Washer	4350012	2	
B26	Spring	4350172	2	
B27	Special washer	9009625-0105	2	
B28	Retaining ring	9006250-0162	2	
B29	Holddown pin	9004875-0109	8	
B30	Holddown pin retainer	4350048	2	
B31	Slipper retainer guide	4350186	18	
B32	Piston assembly	4440003	2	
B36	Slipper retainer	4350185	1	
B37	End cap gasket	4350145	1	
B38	Needle bearing	9001465-0015	1	
B39	Slotted pin	9004700-1910	2	
B40	Dowel pin	5000529	4	
B41	Screw	9007314-1012	1	
B43	Plug	9005100-5600	1	
B43A	O-ring	9004201-3700	1	

25. Drive pump, Danfoss (구동 펌프, 단포스)



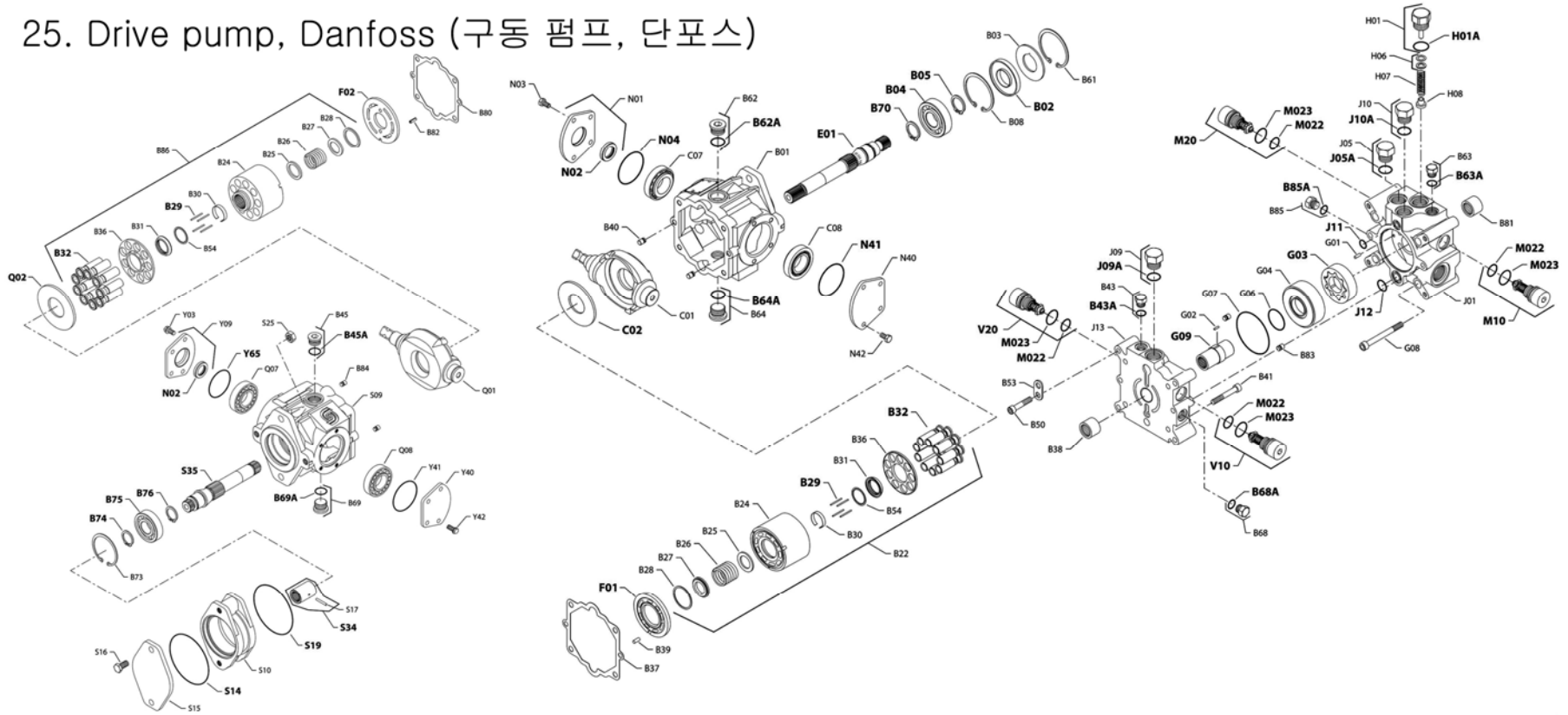
25. Drive pump, Danfoss (구동 펌프, 단포스) (Cont'd) (계속)				
No.	Name	Part No.	Quantity	Remarks
B45	Plug	9005110-9000	1	
B45A	O-ring	9004201-7500	1	
B50	Screw	9007314-1014	4	
B53	Lifting bracket	8800565	1	
B54	Thrust washer	4350187	2	
B61	Retaining ring	9006200-0281	1	
B62	Plug	9005110-9000	1	
B62A	O-ring	9004201-7500	1	
B63	Plug	9005100-5600	1	
B63A	O-ring	9004201-3700	1	
B64	Plug	9005110-9000	1	
B64A	O-ring	9004201-7500	1	
B68	Plug	9005100-5600	1	
B68A	O-ring	9004201-3700	1	
B69	Plug	9005110-9000	1	
B69A	O-ring	9004201-7500	1	
B70	Retaining ring	9006300-0137	1	
B73	Retaining ring	9006200-0281	1	
B74	Retaining ring	9006300-0137	1	
B75	Ball bearing	5000731	1	
B76	Retaining ring	9006300-0137	1	
B80	End cap gasket	4350145	1	
B81	Needle bearing	9001465-0015	1	
B82	Slotted pin	9004700-1910	1	
B83	Dowel pin	5000529	2	

25. Drive pump, Danfoss (구동 펌프, 단포스)



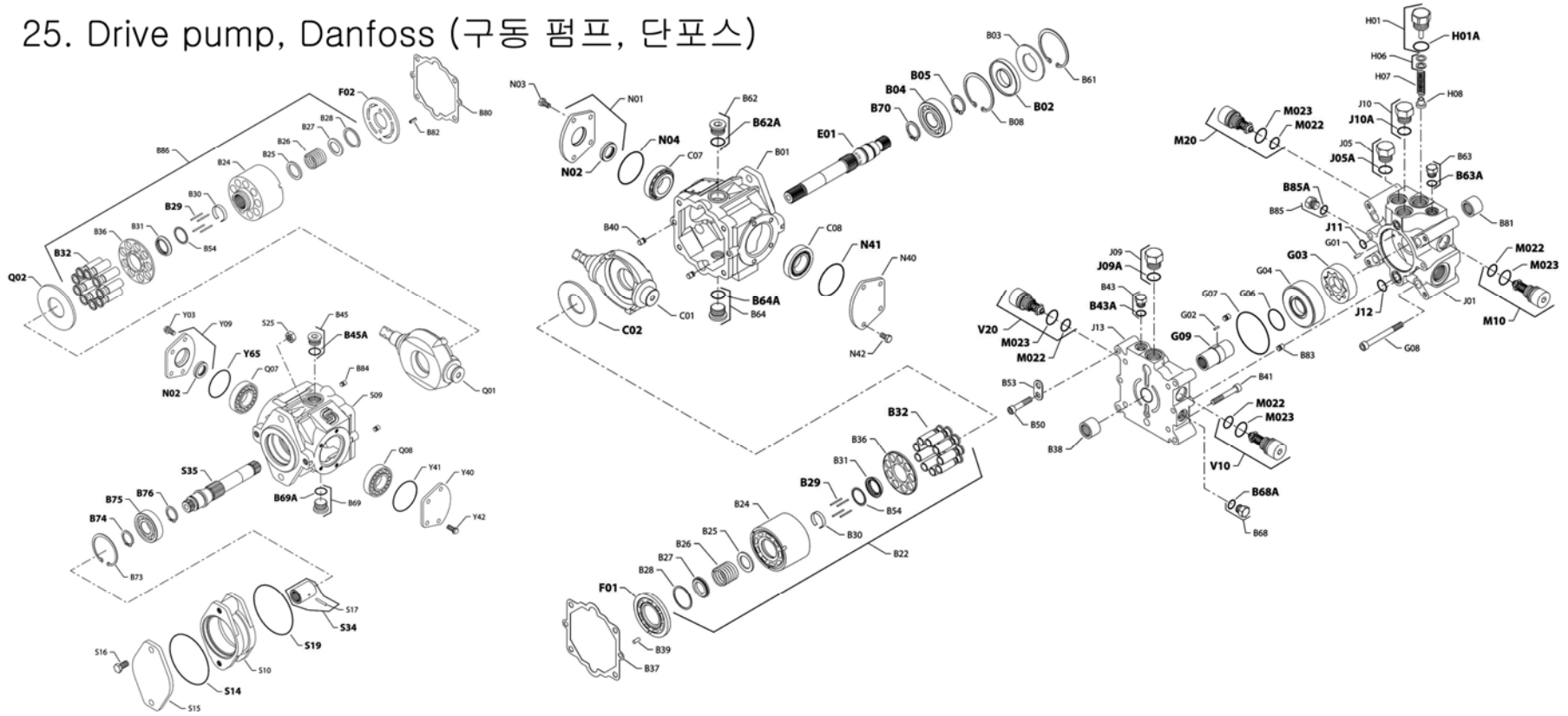
25. Drive pump, Danfoss (구동 펌프, 단포스) (Cont'd) (계속)				
No.	Name	Part No.	Quantity	Remarks
B84	Dowel pin	5000529	2	
B85	Plug	9005100-5600	1	
B85A	O-ring	9004201-3700	1	
B86	Cylinder block kit	4440004	1	
C01	Swashplate	4440019	1	
C02	Thrust plate	4350148	1	
C07	Taper roller bearing	4800470	1	
C08	Taper roller bearing	4800470	1	
E01	Shaft	4350433	1	
F01	Valve plate, CW, low force	4440075	1	
F02	Valve plate, CCW, low force	4440076	1	
G01	Pin	9004800-1908	1	
G02	Pin	9004800-1206	1	
G03	Gerotor assembly	4800128-0001	1	
G04	Spacer	4800177	1	
G06	O-ring	5000352	1	
G07	O-ring	9004100-2370	1	
G08	Screw	9007314-1018	4	
G09	Coupling	4350090	1	
H01	Plug assembly	4800308	1	
H01A	O-ring	9004201-6200	1	
H06	Shim kit	4510027	1	
H07	Spring	4800176	1	
H08	Poppet	4800134	1	
J01	End cap	4350256	1	

25. Drive pump, Danfoss (구동 펌프, 단포스)



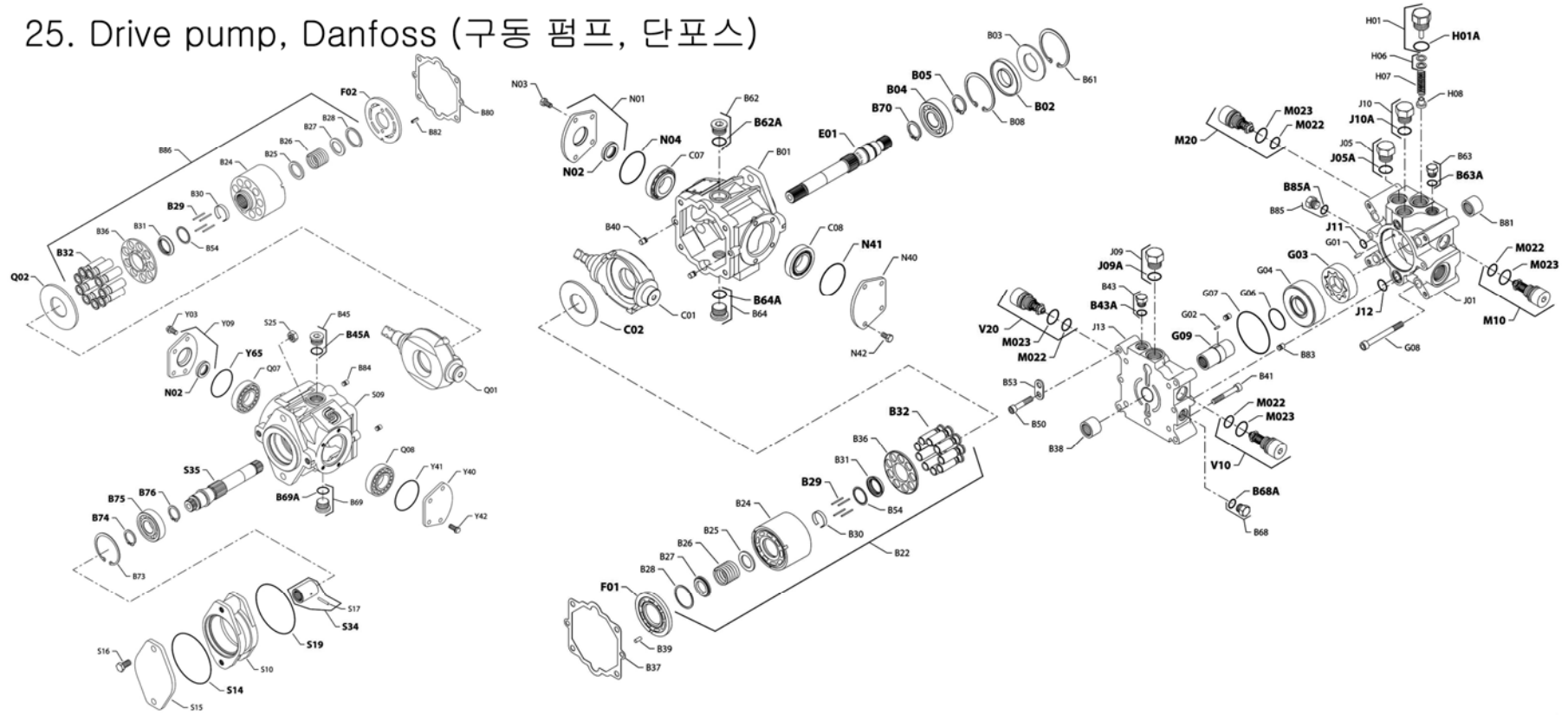
25. Drive pump, Danfoss (구동 펌프, 단포스) (Cont'd) (계속)				
No.	Name	Part No.	Quantity	Remarks
J05	Plug	9005100-8700	1	
J05A	O-ring	9004201-6200	1	
J09	Plug	9005100-8700	1	
J09A	O-ring	9004201-6200	1	
J10	Plug	9005100-8700	1	
J10A	O-ring	9004201-6200	1	
J11	O-ring	9004100-1140	1	
J12	O-ring	9004100-1180	1	
J13	End cap	4350405	1	
M10	SCR valve	4350639	1	
M20	SCR valve	4350639	1	
M022	O-ring	9004201-5000	4	
M023	O-ring	9004100-2110	4	
N01	Trunnion cover assembly on right side	4350732	1	
N02	Trunnion lip seal	5000604	2	
N03	Screw	9007210-0804	4	
N04	O-ring	9004300-1460	1	
N40	Trunnion cover	4250027	1	
N41	O-ring	9004300-1460	1	
N42	Hex head Screw	9007210-0804	4	
Q01	Swash plate	4440019	1	
Q02	Thrust plate	4350148	1	
Q07	Bearing kit	4800470	1	
Q08	Bearing kit	4800470	1	
S09	Housing	4350350	1	

25. Drive pump, Danfoss (구동 펌프, 단포스)



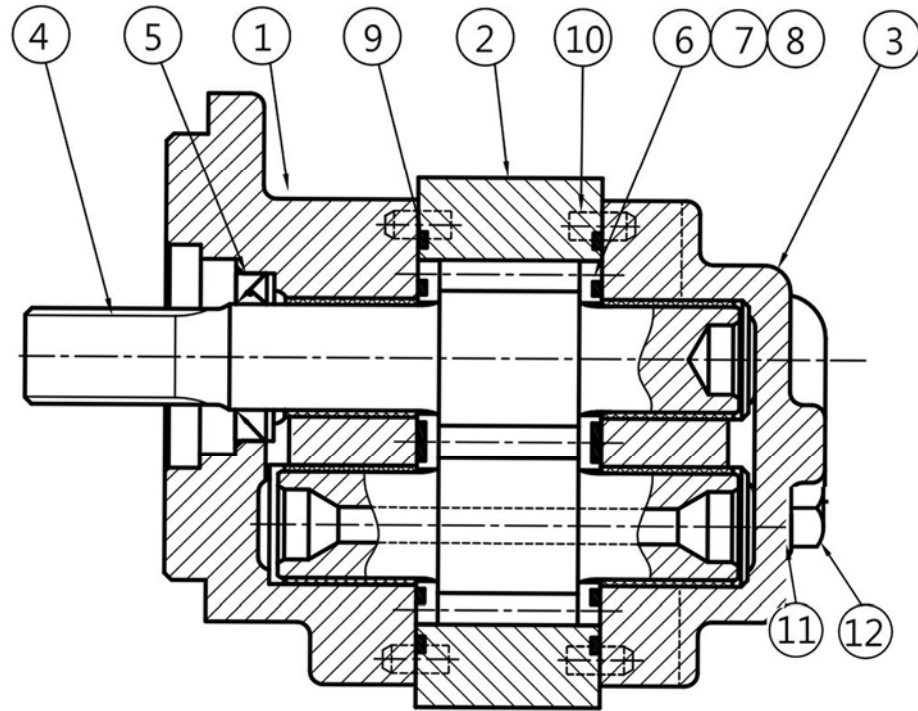
25. Drive pump, Danfoss (구동 펌프, 단포스) (Cont'd) (계속)				
No.	Name	Part No.	Quantity	Remarks
S10	B flange adapter	4800162	1	
S11	Screw	5000758	2	
S12	Washer	9009600-5391	2	
S14	O-ring	8801061	1	
S15	Cover plate	8801059	1	
S16	Screw	5000758	2	
S17	Pin	9004700-1222	1	
S19	O-ring	9004100-1550	1	
S34	Coupling assembly	4350691	1	
S35	Shaft	4350426	1	
V10	SCR valve assembly	4350639	1	
V20	SCR valve assembly	4350639	1	
Y03	Screw	9007210-0804	4	
Y09	Trunnion cover assembly on left side	4350732	1	
Y40	Trunnion cover	4250027	1	
Y41	O-ring	9004300-1460	1	
Y42	Screw	9007210-0804	4	
Y65	O-ring	9004300-1460	1	
B02	Lip seal	5000689	1	
B37	End cap gasket	4350145	1	
B43A	O-ring	9004201-3700	1	
B45A	O-ring	9004201-7500	1	
B62A	O-ring	9004201-7500	1	
B63A	O-ring	9004201-3700	1	
B64A	O-ring	9004201-7500	1	

25. Drive pump, Danfoss (구동 펌프, 단포스)



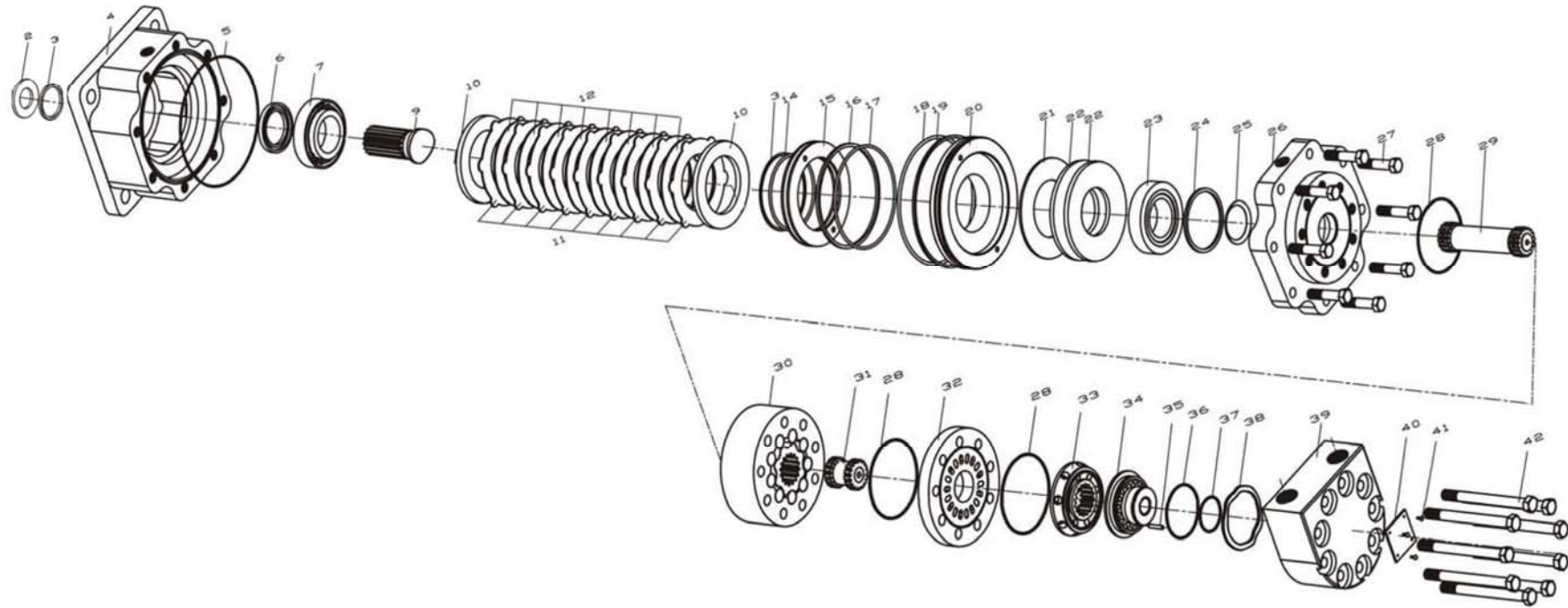
25. Drive pump, Danfoss (구동 펌프, 단포스) (Cont'd) (계속)				
No.	Name	Part No.	Quantity	Remarks
B68A	O-ring	9004201-3700	1	
B69A	O-ring	9004201-7500	1	
B80	End cap gasket	4350145	1	
B85A	O-ring	9004201-3700	1	
G06	O-ring	5000352	1	
G07	O-ring	9004100-2370	1	
H01A	O-ring	9004201-6200	1	
J10A	O-ring	9004201-6200	1	
J11	O-ring	9004100-1140	1	
J12	O-ring	9004100-1180	1	
M022	O-ring	9004201-5000	4	
M023	O-ring	9004100-2110	4	
N02	Trunnion lip seal	5000604	2	
N04	O-ring	9004300-1460	1	
N41	O-ring	9004300-1460	1	
S14	O-ring	8801061	1	
S19	O-ring	9004100-1550	1	
Y41	O-ring	9004300-1460	1	
Y65	O-ring	9004300-1460	1	

26. Gear pump (기어 펌프)



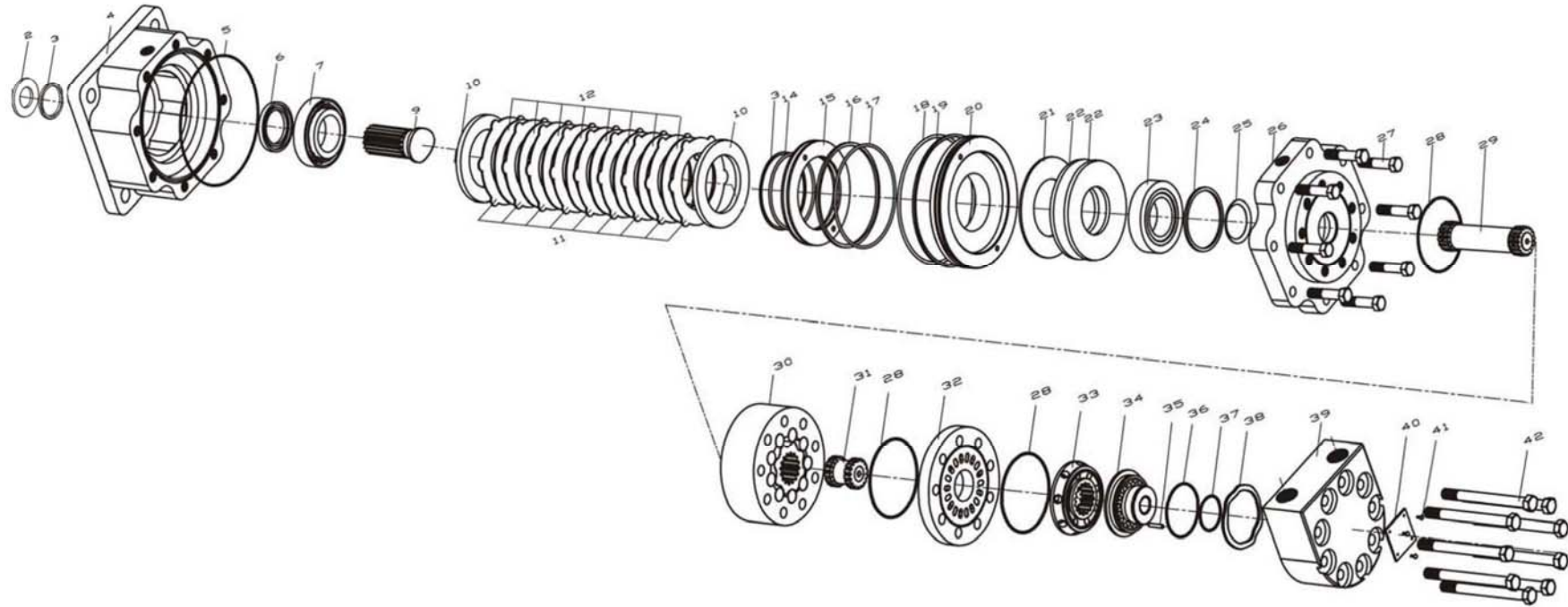
26. Gear pump (기어 펌프)				
No.	Name	Part No.	Quantity	Remarks
1	Cover	JP11-0165	1	
2	Housing	JP12-0011	1	
3	Cover	JP11-0045	1	
4	Gear set	JP11-0072	1	
5	Seal, lip	JP12-0133	1	
6	Thurst plate	JP12-0129	2	
7	Seal, rubber	JP12-0130	2	
8	Seal, Back up	JP12-0131	2	
9	Seal, square	JP12-0132	2	
10	Dowel pin	JP12-0134	4	
11	Washer	JP12-0137	4	
12	Hex. Bolt	JP19-0006	4	

27. Drive motor – MTMB motor (구동 모터)



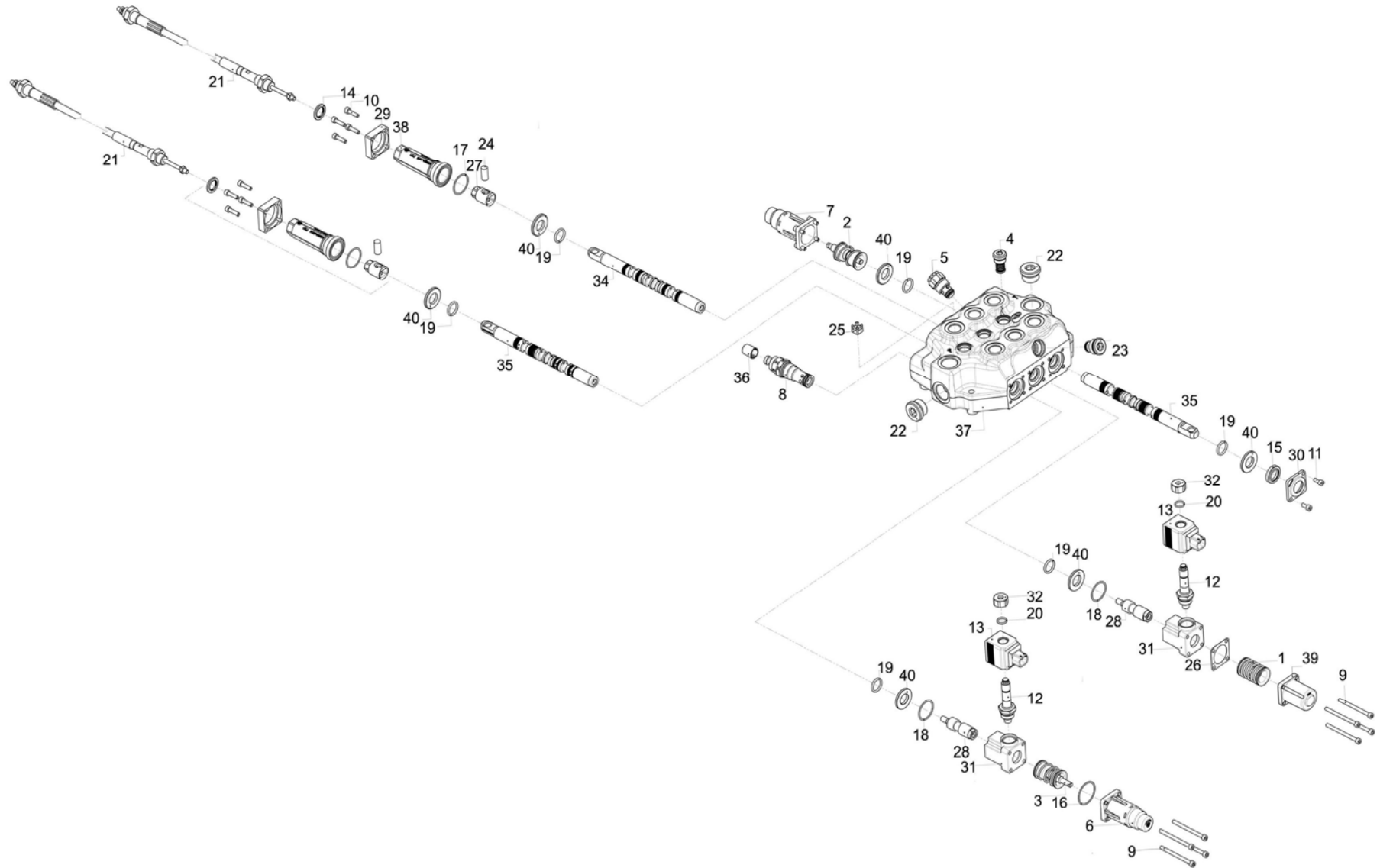
27. Drive motor – MTMB motor (구동 모터)				
No.	Name	Part No.	Quantity	Remarks
2	Washer	49891 570 00	1	
3	Dust seal	MP013V016	1	
4	HOUSING -I	51148 224 00	1	
5	“O” RING	MP011V064	1	
6	SHAFT SEAL	MP015V018	1	
7	BEARING	MP10V030	1	
9	SHAFT	41344 532 00	1	
10	SUPPORT RING MTM/B	49891 612 00	2	
11	STEEL DISC	51142 747 00	9	
12	SINTER DISC	129 2800 200	8	
13	BACK UP RING	MP062V017	1	
14	“O” RING	MP011V080	1	
15	BUSHING MTM/B	49891 613 00	1	
16	BACK UP RING	MP062V014	1	
17	“O” RING	MP011V079	1	
18	“O” RING	MP011V017	1	
19	BACK UP RING	MP062V003	1	
20	PISTON MTM/B	43142 876 00	1	
21	ADJUSTMENT WASHER I MTM/B	49891 610 00	1	
22	DISC SPRING	MP04V033	2	
23	BEARING	MP10V055	1	
24	ADJUSTMENT WASHER II MTM/B	49891 611 00	1	
25	SEAL RING EPMT	49891 569 00	1	
26	HOUSING-II	51148 226 00	1	
27	SCREW	MP08V249	8	

27. Drive motor – MTMB motor (구동 모터)



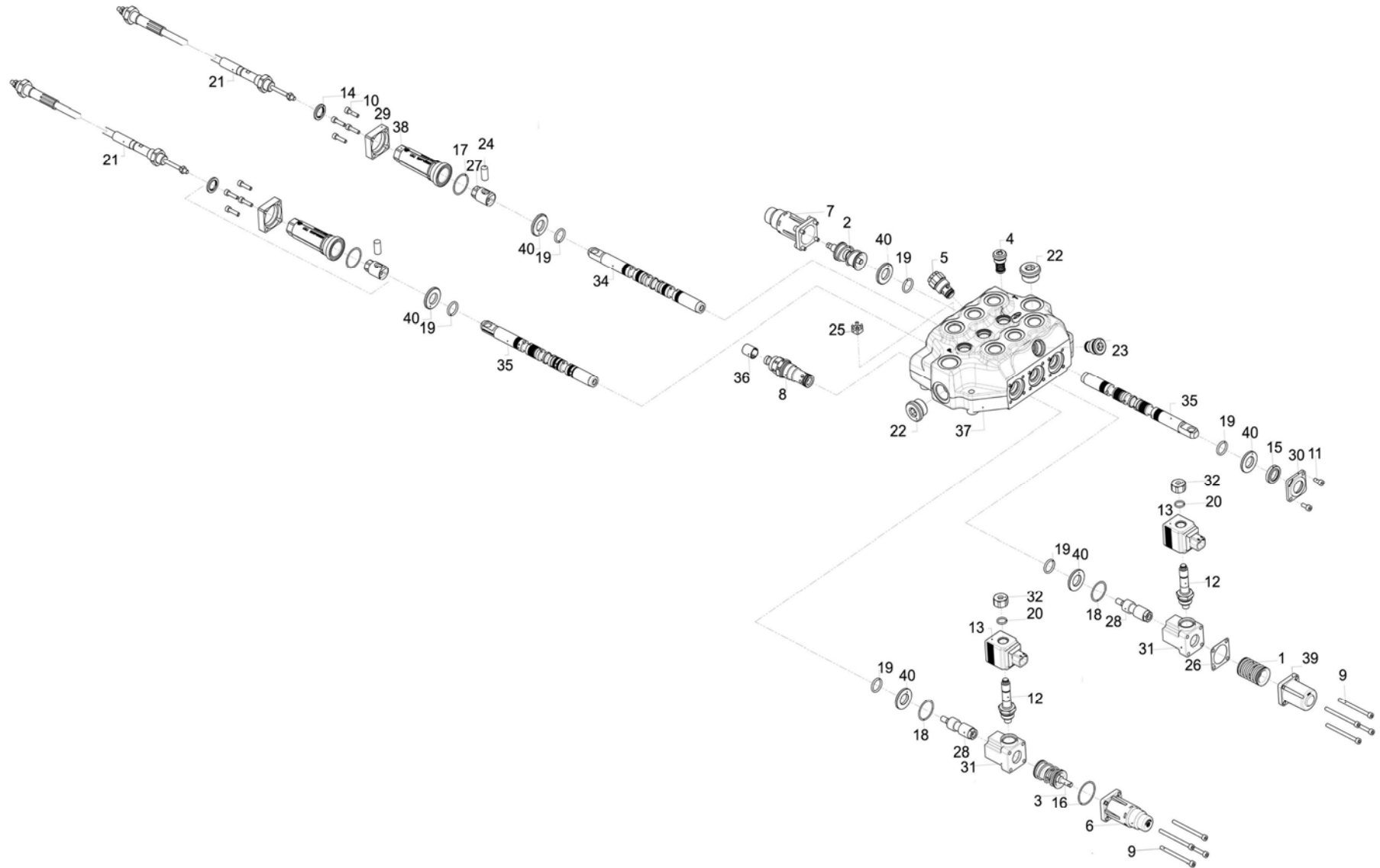
27. Drive motor – MTMB motor (구동 모터) (Cont'd) (계속)				
No.	Name	Part No.	Quantity	Remarks
28	“O” RING	MP011V105	3	
29	CARDAN SHAFT I	46457 114 00	1	
30	GEAR WHEEL SET	129 0876 280	1	
31	VALVE DRIVE ii	46457 047 00	1	
32	CHANNEL PLATE	43142 830 00	1	
33	VALVE PLATE EPMT	43142 711 00	1	
34	BALANCE PLATE	45342 046 00	1	
35	PIN	MP08V182	1	
36	“O” RING	MP011V037	1	
37	“O” RING	MP011V036	1	
38	SPRING WASHER EPMT	59263 012 00	1	
39	SPACER	41111 031 00	1	
40	END COVER	51141 127 00	1	
41	NAME PLATE	49961 877 00	1	
42	RIVET	MP08B057	4	
43	SCREW	MP08V039	1	

28. Control valve (콘트롤 밸브)



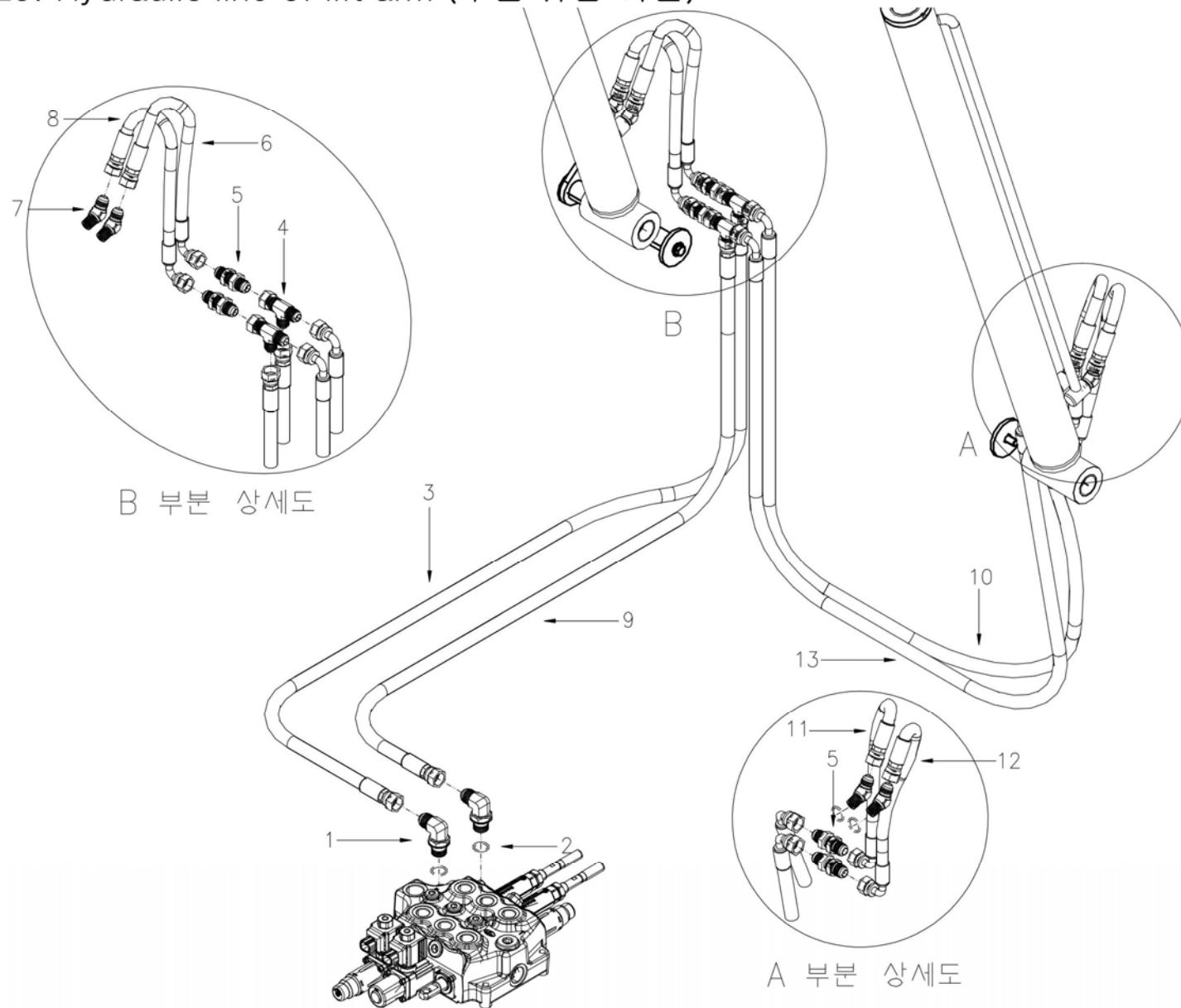
28. Control valve (콘트롤 밸브)				
No.	Name	Part No.	Quantity	Remarks
1	Ma kit	XV08110400	1	
2	Positioner kit	XPER118743	1	
3	Positioner kit	XPER118672	1	
4	Sh kit	XKIT010200	3	
5	Valve	XCAR406110	1	
6	End cap kit	XCAP310827	1	
7	End cap kit	XCAP310825	1	
8	Valve	X134211350	1	
9	Screw	4VIT605065	8	
10	Screw	4VIT605021	8	
11	Screw	4VIT605012	2	
12	Spool assembly	4SOL811000	2	
13	Coil	4SL2001200	2	
14	Washer	4RON413525	2	
15	Dust cover	4PAR218035	1	
16	Sh parker	4GUA133118	1	
17	O-ring seal	4GUA130018	2	
18	O-ring seal	4GUA128318	2	
19	O-ring seal	4GUA118025	6	
20	O-ring seal	4GUA112020	2	
21	Flexible cables	4CAV601600	2	
22	Plug	3XTAP732200	2	
23	Plug	3XTAP524290	1	
24	Pin rod	3SPI110230	2	
25	Plate	3SPE217053	1	

28. Control valve (콘트롤 밸브)



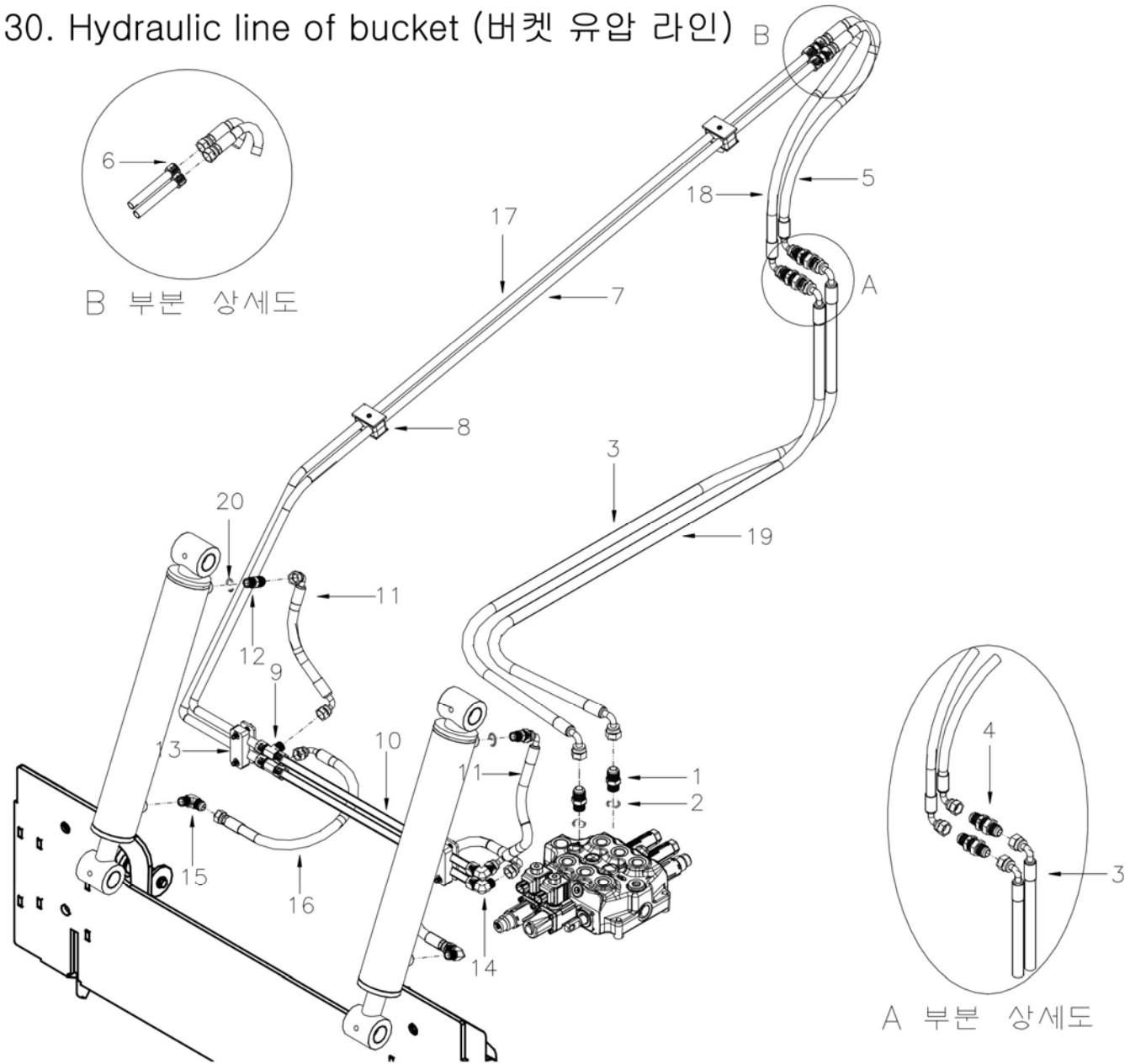
28. Control valve (콘트롤 밸브) (Cont'd) (계속)				
No.	Name	Part No.	Quantity	Remarks
26	Seal	3GUA140031	1	
27	Joint	3GIU420331	2	
28	Joint	3GIU118671	2	
29	Plange	3FLA140120	2	
30	Plange	3FLA131068	1	
31	Spacer	3DIS231520	2	
32	Nut	3DAD121120	2	
33	Spool	3CU1340350	1	
34	Spool	3CU1310350	1	
35	Spool	3CU1310330	1	
36	Plastick cover	3COP118200	1	
37	Body	3CO1913003	1	
38	End cap	3CAP430951	2	
39	End cap	3CAP380500	1	
40	Ring	3ANE134041	6	

29. Hydraulic line of lift arm (주분 유압 라인)



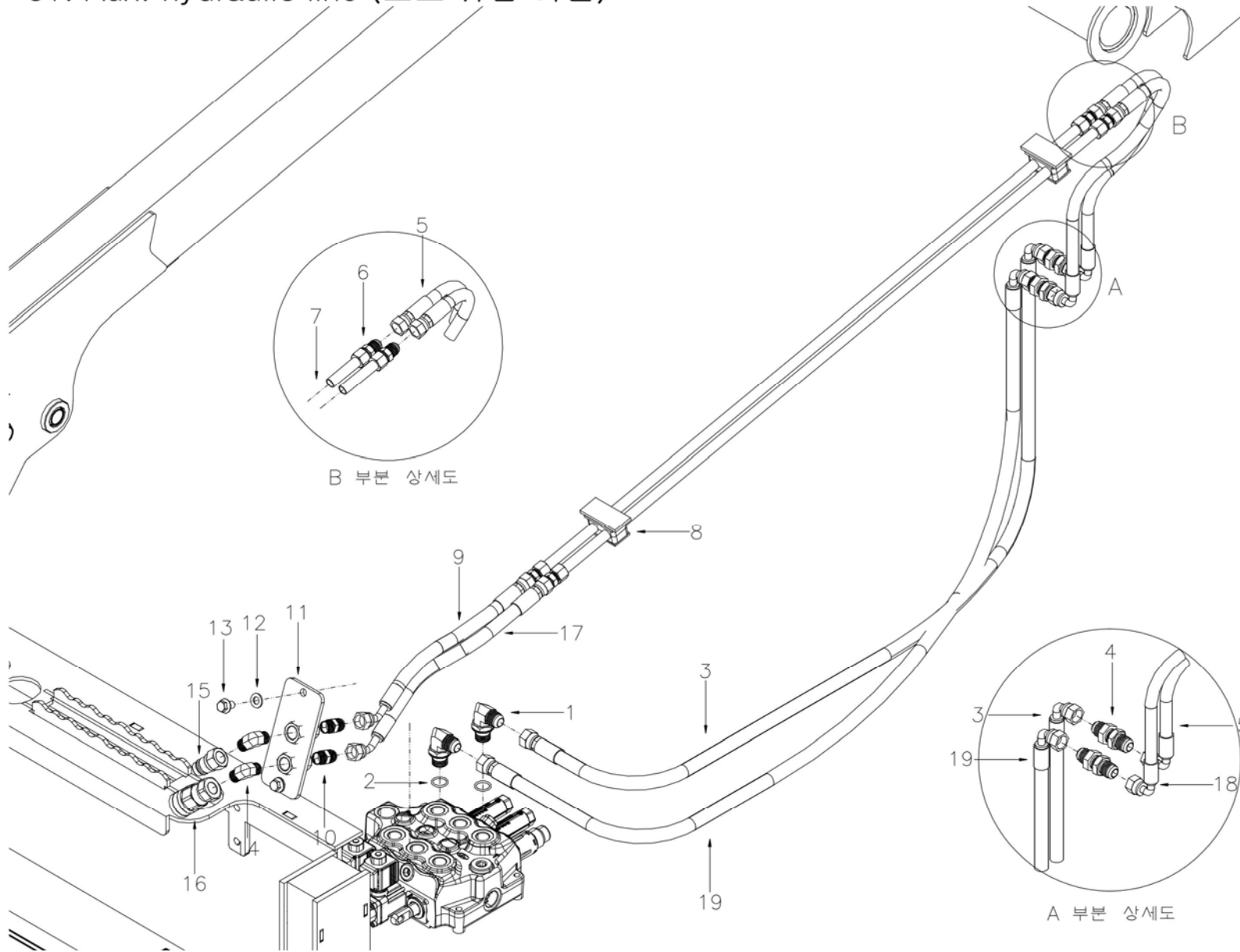
29. Hydraulic line of lift arm (주뿔 유압 라인)				
No.	Name	Part No.	Quantity	Remarks
1	Hose nipple to control valve (호스 니뿔, 콘트롤 밸브)	5701R-2901	2	
2	O-ring (오링)	5701R-2902	2	
3	Hose (control valve*distributing nipple) (호스 (콘트롤 밸브*분배니뿔))	5701R-2903	1	
4	Distributing nipple (분배 니뿔)	5701R-2904	2	
5	Coupling nipple (연결 니뿔)	5701R-2905	2	
6	Hose (coupling nipple*lift cylinder) (호스 (연결니뿔*뿔실린더))	5701R-2906	1	
7	Coupling nipple to cylinder (연결 닛뿔, 실린더)	5701R-2907	4	
8	Hose (coupling nipple*lift cylinder) (호스 (연결니뿔*뿔실린더))	5701R-2908	1	
9	Hose (control valve*distributing nipple) (호스 (콘트롤 밸브*분배니뿔))	5701R-2909	1	
10	Hose (distributing nipple*coupling nipple) (호스 (분배니뿔*연결니뿔))	5701R-2910	1	
11	Hose (coupling nipple*lift cylinder) (호스 (연결니뿔*뿔실린더))	5701R-2911	1	
12	Hose (coupling nipple*lift cylinder) (호스 (연결니뿔*뿔실린더))	5701R-2912	1	
13	Hose (control valve*distributing nipple) (호스 (콘트롤 밸브*분배니뿔))	5701R-2913	1	

30. Hydraulic line of bucket (버킷 유압 라인) B



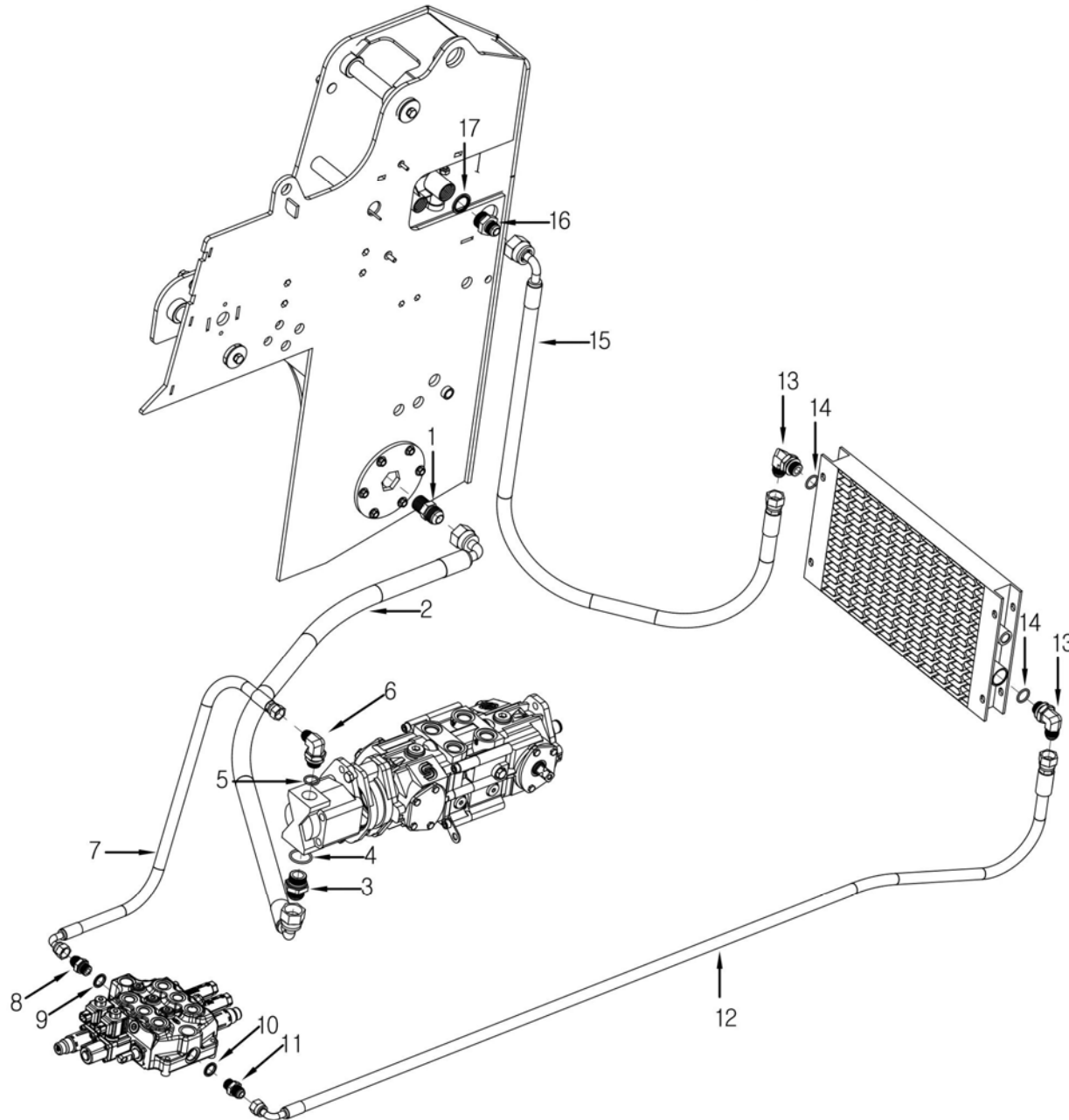
30. Hydraulic line of bucket (버킷 유압 라인)				
No.	Name	Part No.	Quantity	Remarks
1	Hose nipple to control valve (호스 니플, 콘트롤 밸브)	5701R-3001	2	
2	O-ring (오링)	5701R-3002	2	
3	Hose (control valve*coupling nipple) (호스 (콘트롤 밸브*연결니플))	5701R-3003	1	
4	Coupling nipple (연결 니플)	5701R-3004	2	
5	Hose (coupling nipple*steel pipe) (호스 (연결니플*철배관))	5701R-3005	1	
6	Nipple ST for steel pipe (철배관 니플 ST)	5701R-3006	2	
7	Steel pipe (철 배관)	5701R-3007	1	
8	Clamp (크램프)	5701R-3008	2	
9	Nipple T for steel pipe (철배관 니플 T)	5701R-3009	2	
10	Steel pipe (철 배관)	5701R-3010	2	
11	Hose (steel pipe*tilt cylinder for tilting forward) (호스 (철배관*버킷실린더퍼짐))	5701R-3011	2	
12	Nipple (니플)	5701R-3012	2	
13	Clamp (크램프)	5701R-3013	2	
14	Nipple L for steel pipe (철배관 니플 L)	5701R-3014	2	
15	Nipple (니플)	5701R-3015	2	
16	Hose (steel pipe*tilt cylinder for curling up) (호스 (철배관*버킷실린더오므림))	5701R-3016	2	
17	Steel pipe (철 배관)	5701R-3017	1	
18	Hose (coupling nipple*steel pipe) (호스 (연결니플*철배관))	5701R-3018	1	
19	Hose (control valve*coupling nipple) (호스 (콘트롤 밸브*연결니플))	5701R-3019	1	
20	O-ring (오링)	5701R-3020	2	

31. Aux. hydraulic line (보조 유압 라인)



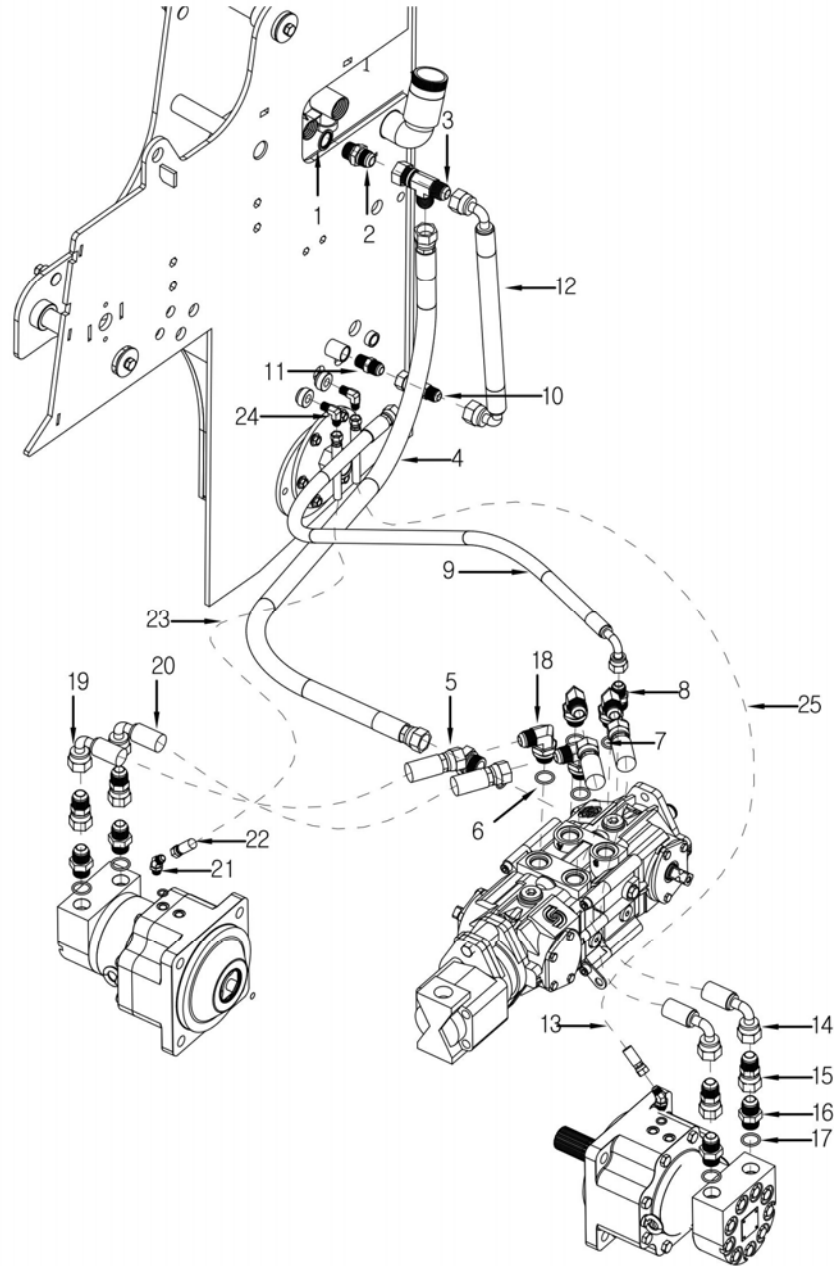
31. Aux. hydraulic line (보조 유압 라인)				
No.	Name	Part No.	Quantity	Remarks
1	Hose nipple ST to control valve (호스 니플 ST, 콘트롤 밸브)	5701R-3101	2	
2	O-ring (오링)	5701R-3102	2	
3	Hose (control valve*coupling nipple) (호스 (콘트롤 밸브*연결 니플))	5701R-3103	1	
4	Hose nipple (호스 니플)	5701R-3104	2	
5	Hose (coupling nipple*steel pipe) (호스 (연결 니플*철배관))	5701R-3105	1	
6	Nipple ST for steel pipe (철배관 니플 ST)	5701R-3106	2	
7	Steel pipe (철 배관)	5701R-3107	1	
8	Clamp (크램프)	5701R-3108	2	
9	Hose (steel pipe*quick coupling) (호스 (철배관*퀵 커플링))	5701R-3109	1	
10	Hose nipple ST (호스 니플 ST)	5701R-3110	2	
11	Fixed plate (고정판)	5701R-3111	1	
12	Washer (와셔)	5701R-3112	2	
13	Bolt (볼트)	5701R-3113	2	
14	Nipple L (니플 L)	5701R-3114	2	
15	Quick coupling, input (퀵 커플링, 입력)	5701R-3115	1	
16	Quick coupling, output (퀵 커플링, 출력)	5701R-3116	1	
17	Hose (steel pipe*quick coupling) (호스 (철배관*퀵 커플링))	5701R-3117	1	
18	Hose (coupling nipple*steel pipe) (호스 (연결 니플*철배관))	5701R-3118	1	
19	Hose (control valve*coupling nipple) (호스 (콘트롤 밸브*연결 니플))	5701R-3119	1	

32. Main hydraulic line (메인 유압 라인)



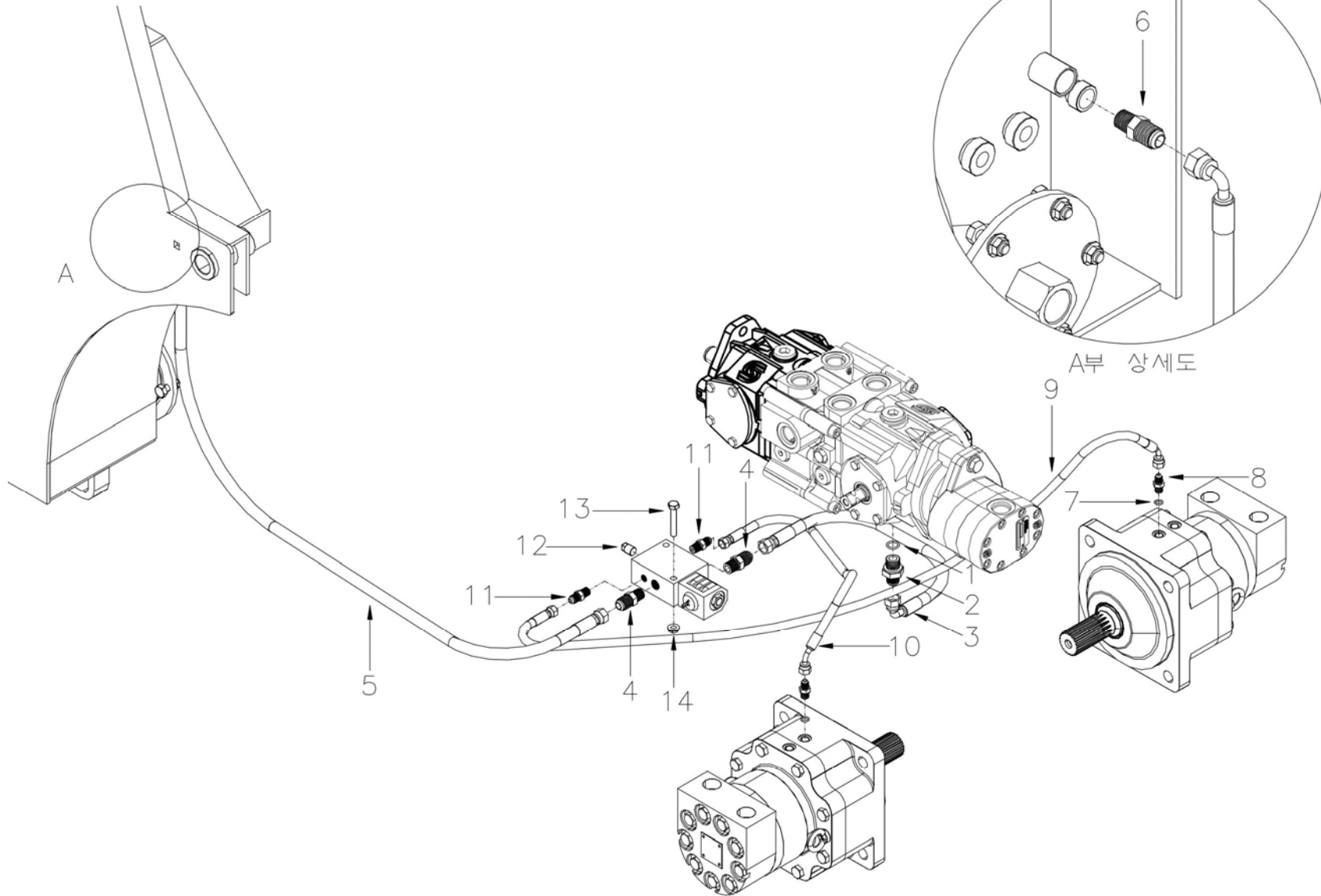
32. Main hydraulic line (메인 유압 라인)				
No.	Name	Part No.	Quantity	Remarks
1	Hose nipple ST for suction filter (석션 필터용 호스 니플 ST)	5701R-3201	1	
2	Hose (tank*gear pump(input)) (호스 (탱크*기어 펌프,입력))	5701R-3202	1	
3	Hose nipple EL for gear pump, input (호스 니플 EL, 기어 펌프 입력)	5701R-3203	1	
4	O-ring (오링)	5701R-3204		
5	Hose nipple ST for gear pump, output (호스 니플 ST, 기어 펌프 출력)	5701R-3205	1	
6	O-ring (오링)	5701R-3206		
7	Hose (gear pump, output*control valve, input) (호스 (기어 펌프,출력*콘트롤 밸브, 입력))	5701R-3207	1	
8	Hose nipple ST for control valve (호스 니플 ST, 콘트롤 밸브)	5701R-3208	1	
9	O-ring (오링)	5701R-3209		
10	O-ring (오링)	5701R-3210	1	
11	Hose nipple ST for control valve (호스 니플 EL, 콘트롤 밸브)	5701R-3211		
12	Hose (control valve, output*oil cooler) (호스 (콘트롤 밸브, 출력*쿨러))	5701R-3212	1	
13	Hose nipple L for oil cooler, input,output (호스 니플 L, 오일쿨러 입력,출력)	5701R-3213	2	
14	O-ring (오링)	5701R-3214	1	
15	Hose (oil cooler*dual hyd' oil filter) (호스 (오일 쿨러*복합 , 입력))	5701R-3215	2	
16	Nipple ST, dual hydraulic oil filter (니플 ST 복합필터)	5701R-3216	1	
17	Bonded seal (본딩셀)	5701R-3217	1	

33. Hydraulic line of drive part (구동부 유압 라인)



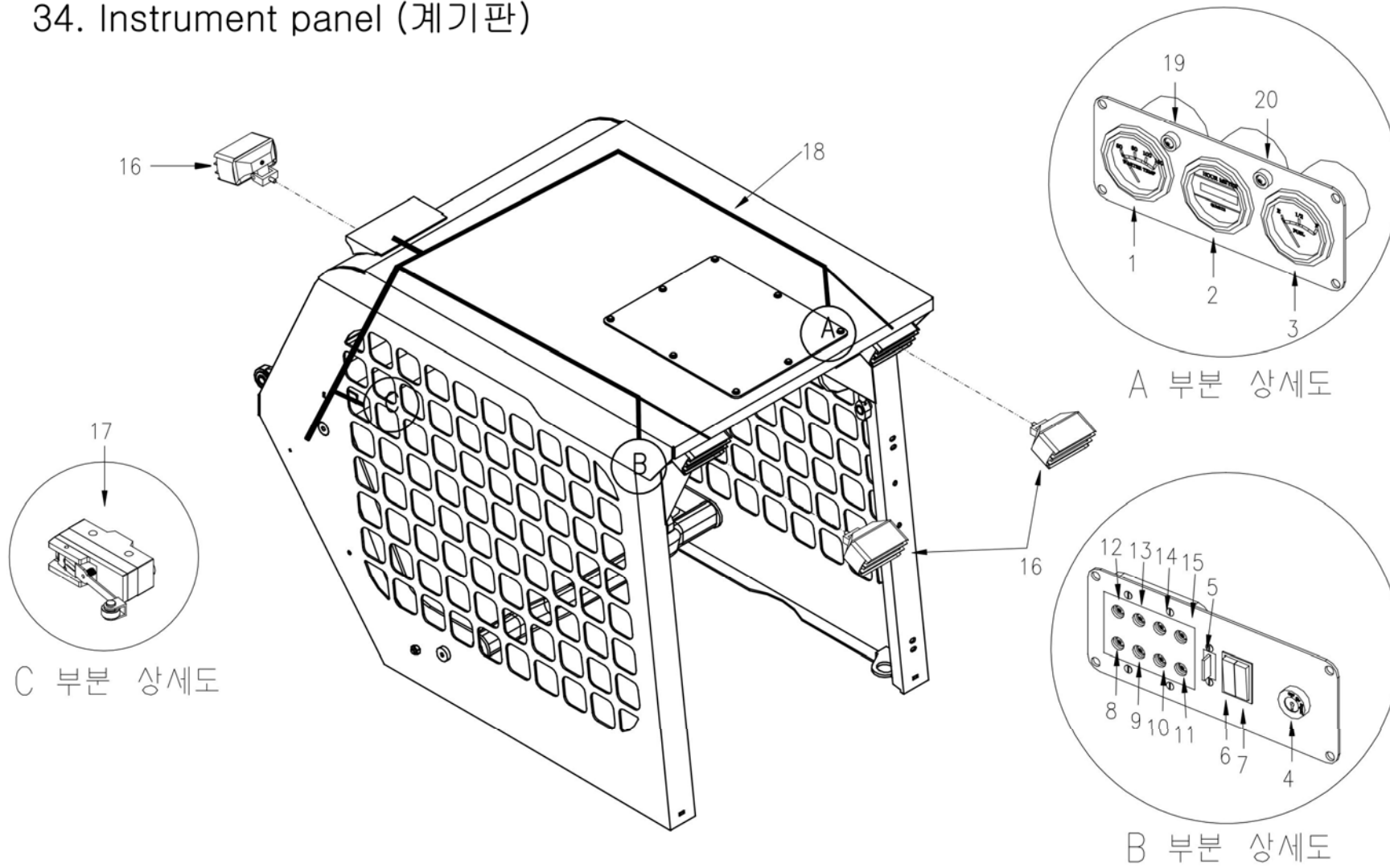
33. Hydraulic line of drive part (구동부 유압 라인)				
No.	Name	Part No.	Quantity	Remarks
1	Bonded seal (본딩씰)	5701R-3301	1	
2	Hose nipple ST(호스 니플 ST)	5701R-3302	1	
3	Distributing nipple (hose nipple ST*hose)분배 니플(호스니플 ST*호스)	5701R-3303	1	
4	Hose(Distributing nipple*hose nipple ST)호스(분배니플*호스니플 ST)	5701R-3304	1	
5	Hose nipple ST(drive pump*hose 호스니플 ST(구동펌프*호스)	5701R-3305	1	
6	O-ring (오링)	5701R-3306	1	
7	O-ring (오링)	5701R-3307	5	
8	Hose nipple ST(drive pump*hose) (호스 니플 ST(구동펌프*호스))	5701R-3308	1	
9	Hose (Distributing nipple*hose nipple ST)(호스(분배니플*호스니플 ST)	5701R-3309	1	
10	Distributing nipple(hose nipple ST*hose)분배니플(호스니플 ST*호스)	5701R-3310	1	
11	Hose nipple ST(호스 니플 ST)	5701R-3311	1	
12	Hose(Distributing nipple*distributing nipple)호스(분배니플*분배니플)	5701R-3312	1	
13	Hose(hose*hose)호스(호스*호스)	5701R-3313	4	
14	Hose(Coupling nipple*hose)호스(연결니플*호스)	5701R-3314	2	
15	Coupling nipple(hose*hose nipple ST)연결니플(호스*호스니플 ST)	5701R-3315	4	
16	Hose nipple ST(Coupling nipple*drive motor)호스니플 ST(연결니플*구동모터)	5701R-3316	4	
17	O-ring (오링)	5701R-3317	4	
18	Hose nipple L(drive pump*hose)호스니플 L(구동펌프*호스)	5701R-3318	4	
19	Hose(Coupling nipple*hose)호스(연결니플*호스)	5701R-3319	1	
20	Hose(Coupling nipple*hose)호스(연결니플*호스)	5701R-3320	1	
21	O-ring (오링)	5701R-3321	2	
22	Coupling nipple (hose*drive motor) (연결 니플(호스*구동모터))	5701R-3322	2	
23	Hose (Coupling nipple*hose nipple L)(호스(연결니플*호스 니플 L))	5701R-3323	1	
24	Hose nipple L for tank (호스 니플 L (탱크*호스))	5701R-3324	2	
25	Hose (Coupling nipple*hose nipple L)(호스(연결니플*호스 니플 L))	5701R-3325	1	

38. Hydraulic line of hyd' parking brake(브레이크 유압 라인)



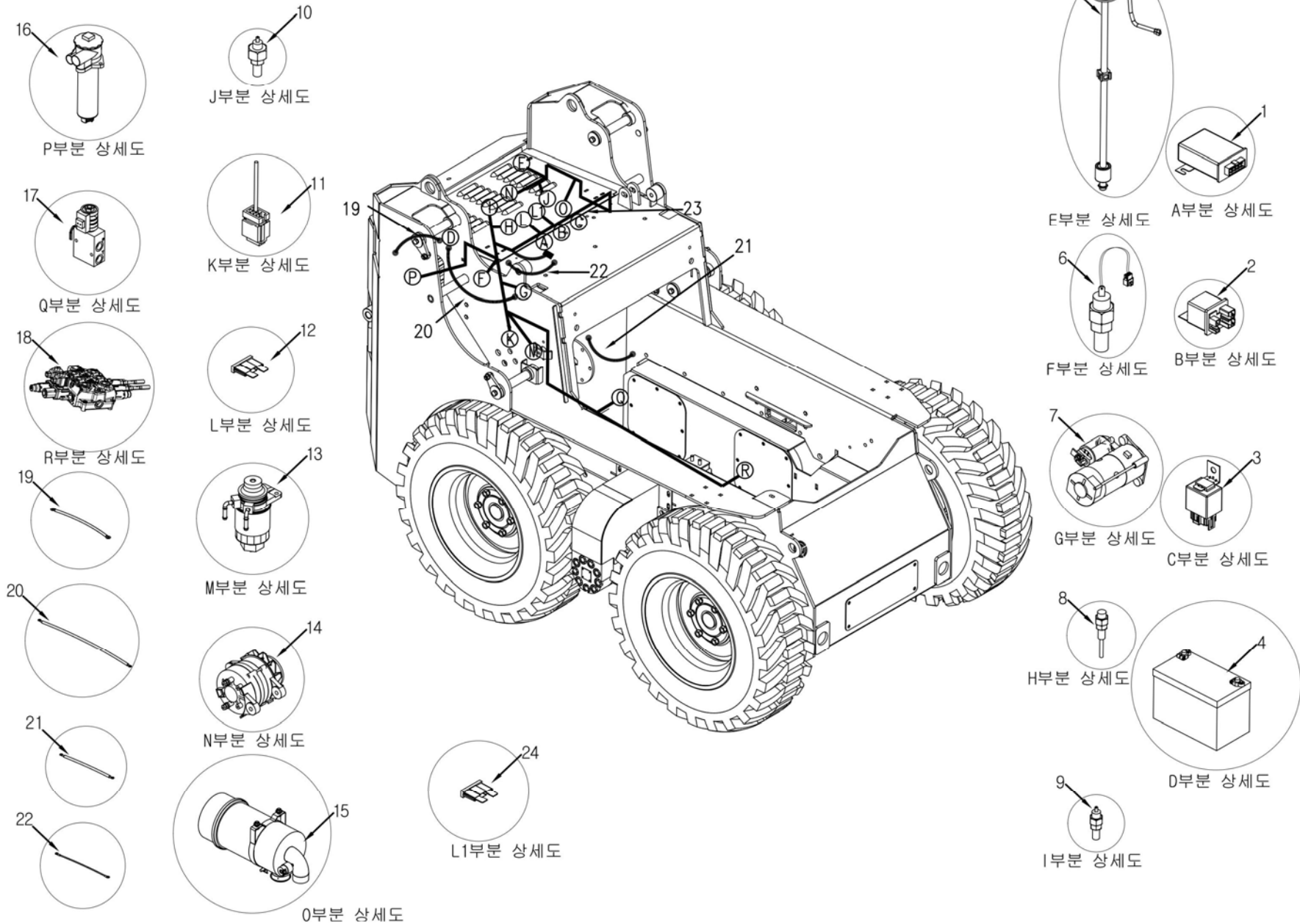
38.Hydraulic line of hyd' parking brake(브레이크 유압 라인)				
	Name	Part No.	Quantity	Remarks
1	O-ring (오링)	5701R-3801	1	
2	Hose nipple ST (호스 니플 ST)	5701R-3802	1	
3	Hose(hose nipple ST*hose nipple ST)(호스니플 ST*호스니플 ST)	5701R-3803	1	
4	Hose nipple ST for solenoi valve(솔레노이드 밸브 호스 니플 ST)	5701R-3804	2	
5	Hose(hose nipple ST*hose nipple ST)(호스니플 ST*호스니플 ST)	5701R-3805	1	
6	Hose nipple ST(호스 니플 ST)	5701R-3806	1	
7	O-ring (오링)	5701R-3807	2	
8	Hose nipple ST(hose*drive motor)(호스니플 ST(호스*구동모터))	5701R-3808	2	
9	Hose(hose nipple ST*hose nipple ST)(호스니플 ST*호스니플 ST)	5701R-3809	1	
10	Hose(hose nipple ST*hose nipple ST)(호스니플 ST*호스니플 ST)	5701R-3810	1	
11	Hose nipple ST for solenoi valve(솔레노이드 밸브 호스 니플 ST)	5701R-3811	2	
12	Cork(마개)	5701R-3812	1	
13	Bolt(볼트)	5701R-3813	2	
14	Nut(너트)	5701R-3814	2	

34. Instrument panel (계기판)



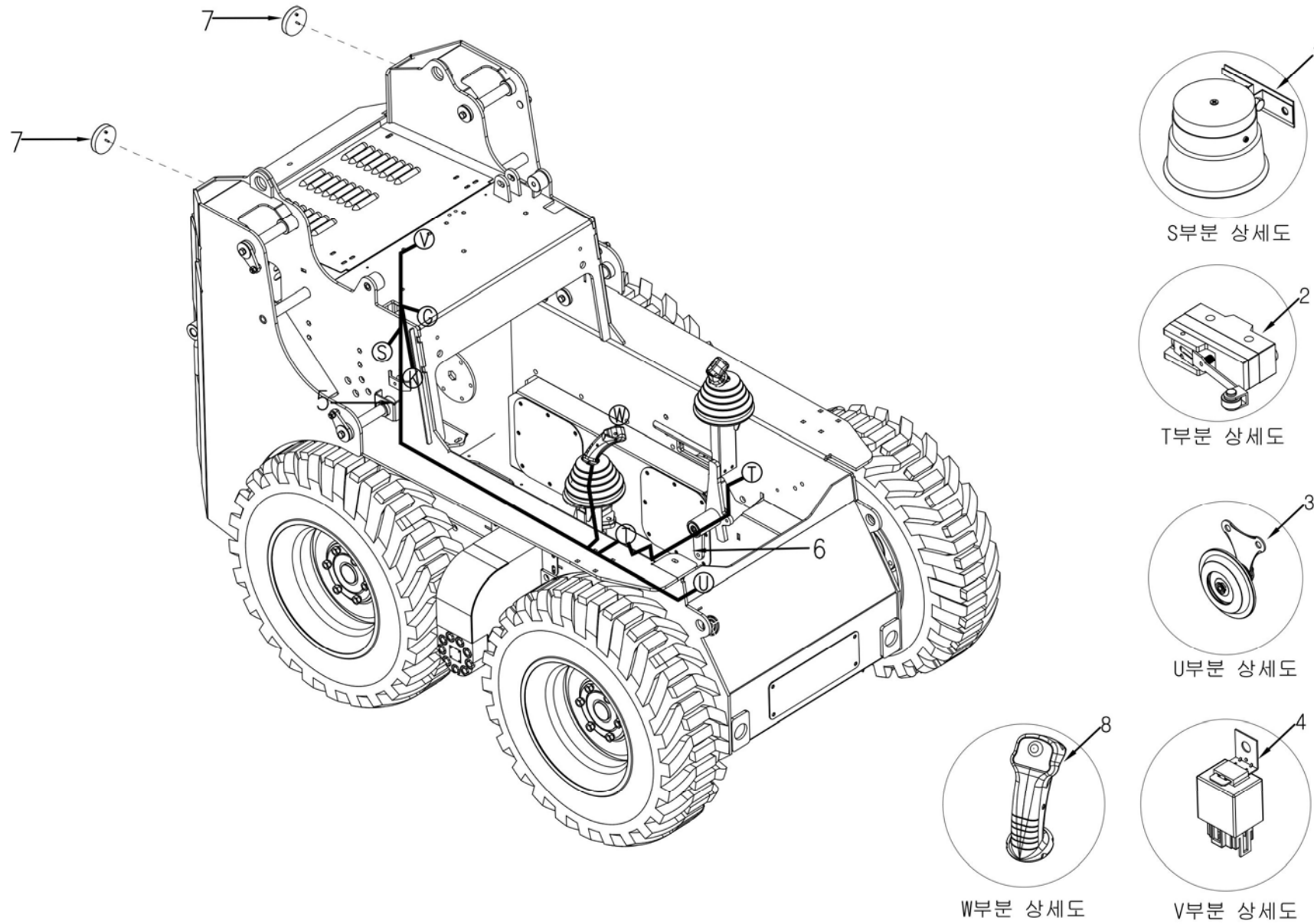
34. Instrument panel (계기판)				
No.	Name	Part No.	Quantity	Remarks
1	Hour meter (시간계)	5701R-3401	1	
2	Water temperature gauge (수온계)	5701R-3402	1	
3	Fuel gauge (연료계)	5701R-3403	1	
4	Ignition switch (점화 스위치)	5701R-3404	1	
5	Light fuse & panel fuse (라이트 퓨즈 & 계기판 퓨즈)	5701R-3405	1	
6	Light switch (라이트 스위치)	5701R-3406	1	
7	Panel switch (계기판 스위치)	5701R-3407	1	
8	Fuel level warning light (연료 수위 경고등)	5701R-3408	1	
9	Hydraulic filter warning light (유압 필터 경고등)	5701R-3409	1	
10	Preheating light (예열등)	5701R-3410	1	
11	Charging warning light (충전 경고등)	5701R-3411	1	
12	Parking warning light (주차 경고등)	5701R-3412	1	
13	Air cleaner warning light (에어크리너 경고등)	5701R-3413	1	
14	Fuel filter warning light (연료 필터 경고등)	5701R-3414	1	
15	Engine oil warning light (엔진 오일 경고등)	5701R-3415	1	
16	Light (라이트)	5701R-3416	3	
17	Limit switch for safety bar (안전바 리미트 스위치)	5701R-3417	1	
18	Main wiring harness (메인 배선 조합)	5701R-3418	1	
19	Direction indicator LH (방향지시등 좌)	5701R-3419	1	
20	Direction indicator RH (방향지시등 우)	5701R-3420	1	

35. Electrical system – For Hyundai (전기 장치 – 현대용)

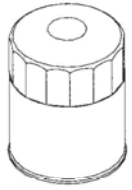


35. Electrical system - For Hyundai (전기 장치 - 현대용)				
No.	Name	Part No.	Quantity	Remarks
1	Preheating control box (예열 조정기)	5701R-3501	1	
2	Preheating relay (예열 릴레이)	5701R-3502	1	
3	Relay for safety device (안전장치 릴레이)	5701R-3503	1	
4	Battery (бат데리)	5701R-3504	1	
5	Fuel sensor (연료 센서)	5701R-3505	1	
6	Stop solenoid valve (정지 솔레노이드 밸브)	5701R-3506	1	
7	Starter (시동 모터)	5701R-3507	1	
8	Preheating plug (예열 플러그)	5701R-3508	4	
9	Water temperature sensor (수온 센서)	5701R-3509	1	
10	Oil pressure sensor (오일 압력 센서)	5701R-3510	1	
11	Connector (조인트 커넥터)	5701R-3511	1	
12	Main fuse (메인퓨즈)	5701R-3512	1	
13	Fuel pump (연료 펌프)	5701R-3513	1	
14	Alternator (알터네이터)	5701R-3514	1	
15	Air cleaner (에어크리너)	5701R-3515	1	
16	Dual hyd' oil filer (복합필터)	5701R-3516	1	
17	4 Way valve (4way 밸브)	5701R-3517	1	
18	Control valve MCV (콘트롤밸브 MCV) =5701-1501	5701R-3518	1	
19	Battery - line (бат데리 -선)	5701R-3519	1	
20	Battery + line (бат데리 +선)	5701R-3520	1	
21	Coupling line (frame*engine) (연결선 (프레임*엔진))	5701R-3521	1	
22	Coupling line (frame*operator's cab) (연결선 (프레임*안전탑))	5701R-3522	1	
23	Main wiring harness(메인배선 조합)	5701R-3523	1	

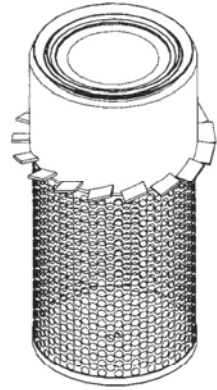
36. Electrical parts I – Front horn and back up alarm (전장품 I – 혼 및 백업알람)



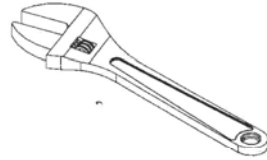
36. Electrical parts I - Front horn and back up alarm (전장품 I - 혼 및 백업알람)				
No.	Name	Part No.	Quantity	Remarks
1	Back up alarm (백업 알람)	5701R-3601	1	
2	Limit switch for back up alarm (백업 알람용 리미트 스위치)	5701R-3602	2	
3	Front horn (혼)	5701R-3603	1	
4	Relay (릴레이)	5701R-3604	1	
5	Wiring harness for front horn & back up alarm (혼 및 백업알람 배선)	5701R-3605	1	
6	Wiring harness for micro switch (마이크로 스위치 배선)	5701R-3606	1	
7	Reflector (반사경)	5701R-3607	2	
8	Horn switch (혼스위치)	5701R-3608	1	



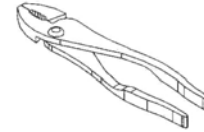
1



2



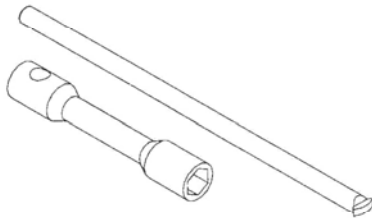
3



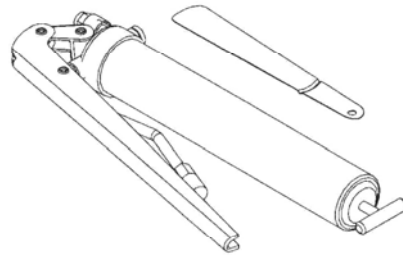
4



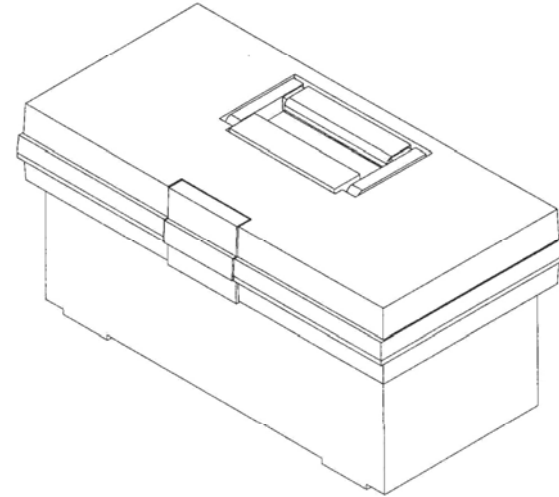
5



6



7



8

INDEX ---- M50 (201403)

1. Hub Ass'y (차축) -----	1
2. Motor shaft (모터 축) -----	3
3. Lift arm (주뿔) -----	5
4. Quick tach pad (퀵 태치 패드) -----	9
5. Bucket (버킷) -----	11
6. Lift cylinder (주뿔 실린더) -----	13
7. Tilt cylinder (버킷 실린더) -----	15
8. Cover (커버) -----	17
9. Engine room cover (엔진룸 커버) -----	19
10. Operator cab, Standard (안전탑, 기본형) -----	21
11. Seat (운전석) -----	23
12. Opeartor cab and tire (안전탑 및 타이어) -----	25
13. Steering levers (조향 장치) -----	27
14. Cable line - For Hyundai (케이블 라인 - 현대용) -----	29
15. Control valve (콘트롤 밸브) -----	31
16. Engine - For Hyundai (엔진 - 현대용) -----	33
17. Pump (펌프) -----	35
18. Netural spring ass'y (중립 스프링) -----	39
19. Radiator & Cooler - For Hyundai (라디에이터 & 쿨러 - 현대용) -----	41
20. Muffler - For Hyundai (소음기 - 현대용) -----	43
21. Parts related to engine - For Hyundai (엔진관련 부품 - 현대용) -----	45
22. Hydraulics and fuel tank (유압 및 연료 탱크) -----	47
23. Dual hyd' oil filter (복합필터) -----	49
24. Fuel line - For Hyundai (연료 라인 - 현대용) -----	51
25. Drive pump, Danfoss (구동 펌프, 단포스) -----	53

INDEX ---- M50 (201403)

26. Gear pump (기어 펌프) -----	65
27. Drive motor – MTMB motor (구동 모터) -----	67
28. Control valve (콘트롤 밸브) -----	71
29. Hydraulic line of lift arm (주뿔 유압 라인) -----	75
30. Hydraulic line of bucket (버킷 유압 라인) -----	77
31. Aux. hydraulic line (보조 유압 라인) -----	79
32. Main hydraulic line (메인 유압 라인) -----	81
33. Hydraulic line of drive part (구동부 유압 라인) -----	83
38. Hydraulic line of hyd' parking brake(브레이크 유압 라인) -----	85
34. Instrument panel (계기판) -----	87
35. Electrical system - For Hyundai (전기 장치 - 현대용) -----	89
36. Electrical parts I - Front horn and back up alarm (전장품 I - 혼 및 백업알람) -----	91