

PART MANUAL

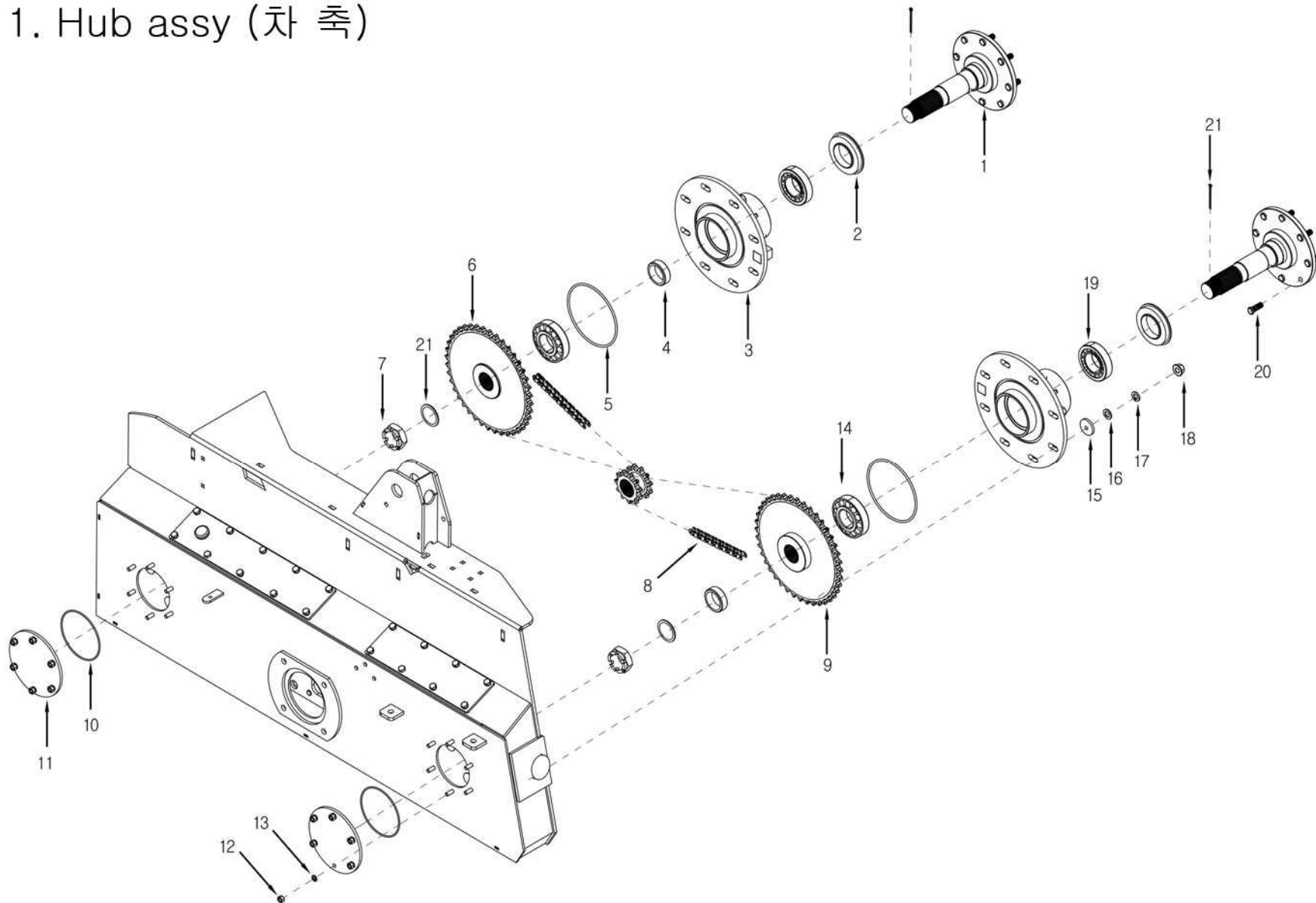
SKID STEER LOADER BSL330 Kubota

1-201910 / FINAL VERSION



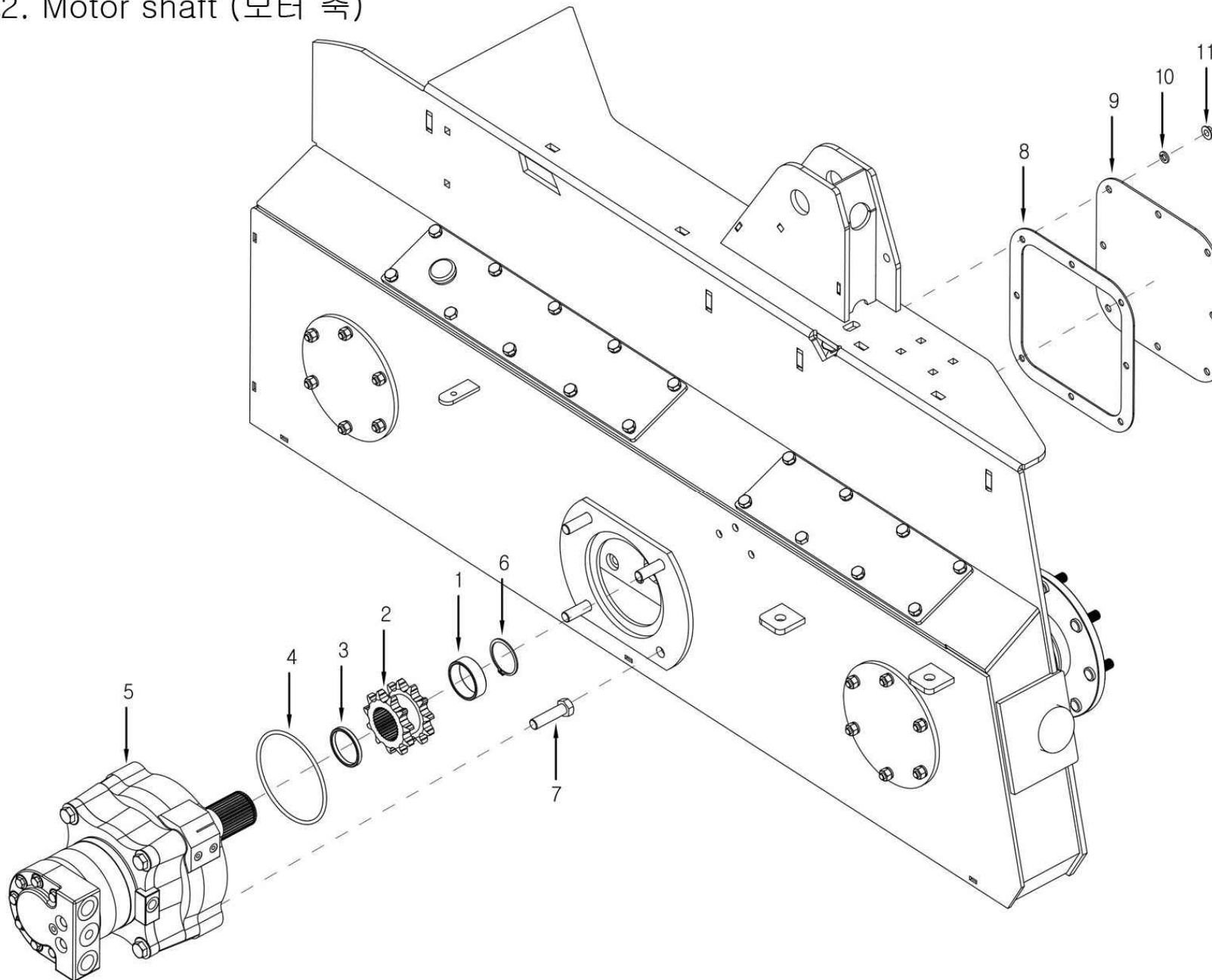
Bawoo Company Corp

1. Hub assy (차 축)



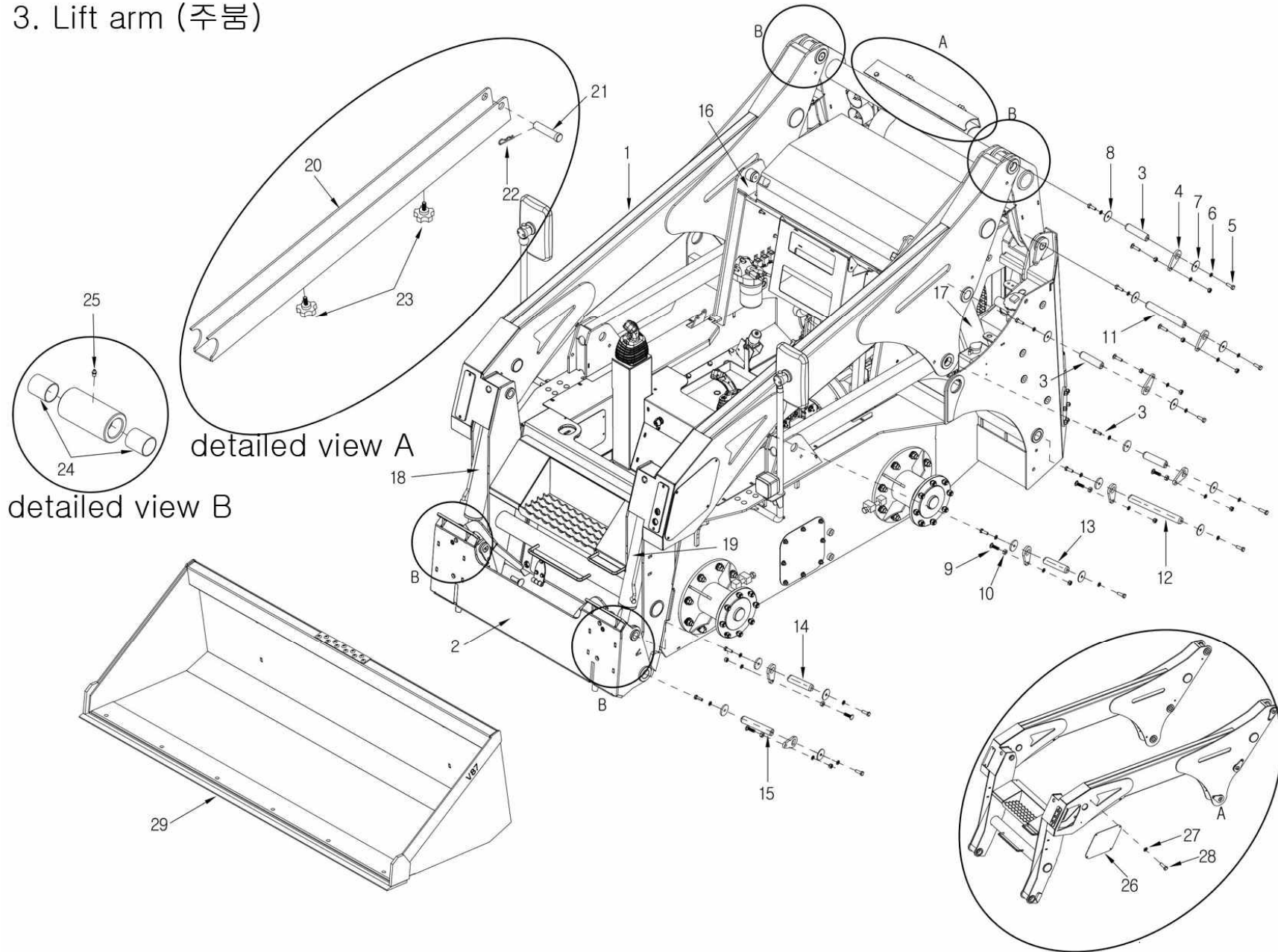
1. Hub assy (차 축)				
No.	Name	Part No.	Quantity	Remarks
1	Axle (차축)	330T4-0101	4	
2	Retainer (리테이너)	330T4-0102	4	
3	A Fixed Plate for Tensioner (텐션 고정판)	330T4-0103	4	
4	Spacer (간격통)	330T4-0104	4	
5	O-ring (오 링)	330T4-0105	4	
6	Rear chain gear (뒤쪽 체인 기어)	330T4-0106	2	
7	Castle nut (홈볼이 너트)	330T4-0107	4	
8	Chain (체인)	330T4-0108	4	
9	Front chain gear (앞쪽 체인 기어)	330T4-0109	4	
10	O-ring (오 링)	330T4-0110	4	
11	Axle cover (차축커버)	330T4-0111	4	
12	Nut (너트)	330T4-0112	24	
13	Spring washer (스프링 와셔)	330T4-0113	24	
14	Bearing (베어링)	330T4-0114	4	
15	Washer (와셔)	330T4-0115	32	
16	Washer (와셔)	330T4-0116	32	
17	Spring washer (스프링 와셔)	330T4-0117	32	
18	Nut (너트)	330T4-0118	32	
19	Bearing (베어링)	330T4-0119	4	
20	Wheel bolt (휠 볼트)	330T4-0120	32	
21	Split pin (분할핀)	330T4-0121	4	
22	O-ring (오 링)	330T4-0122	4	

2. Motor shaft (모터 축)



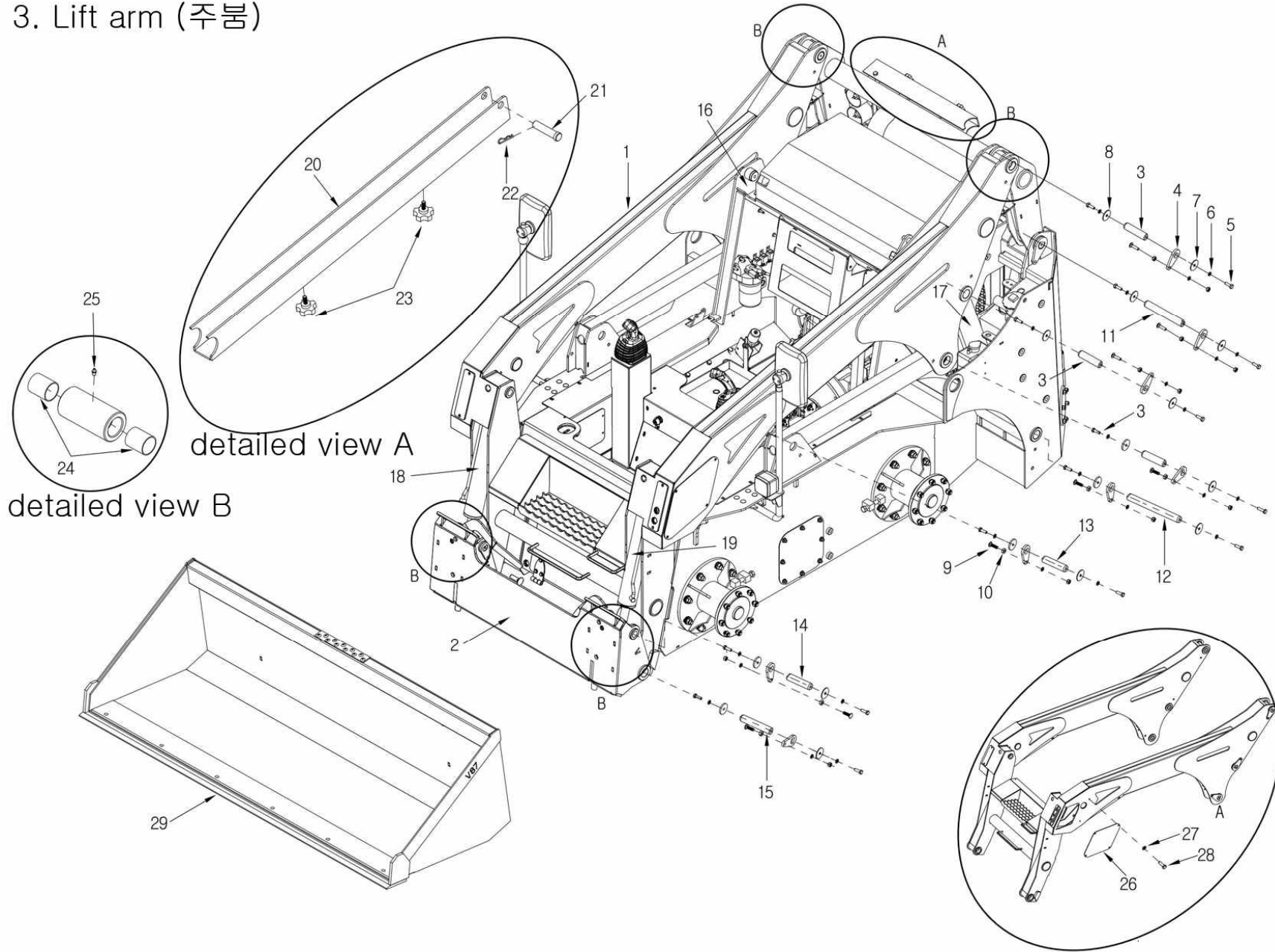
2. Motor shaft (모터 축)				
No.	Name	Part No.	Quantity	Remarks
1	Spacer (간격통)	330T4-0201	2	
2	Chain gear (체인 기어)	330T4-0202	2	
3	Spacer (간격통)	330T4-0203	2	
4	O-ring (오 링)	330T4-0204	2	
5	Motor (모터)	330T4-0205	2	
6	Snap ring (스냅링)	330T4-0206	2	
7	Bolt (볼트)	330T4-0207	8	
8	Rebber gasket for Service Window (정비창 고무 가스켓)	330T4-0208	2	
9	Service Window (정비창)	330T4-0209	2	
10	Spring washer (스프링 와셔)	330T4-0210	16	
11	Nut (너트)	330T4-0211	16	

3. Lift arm (주분)



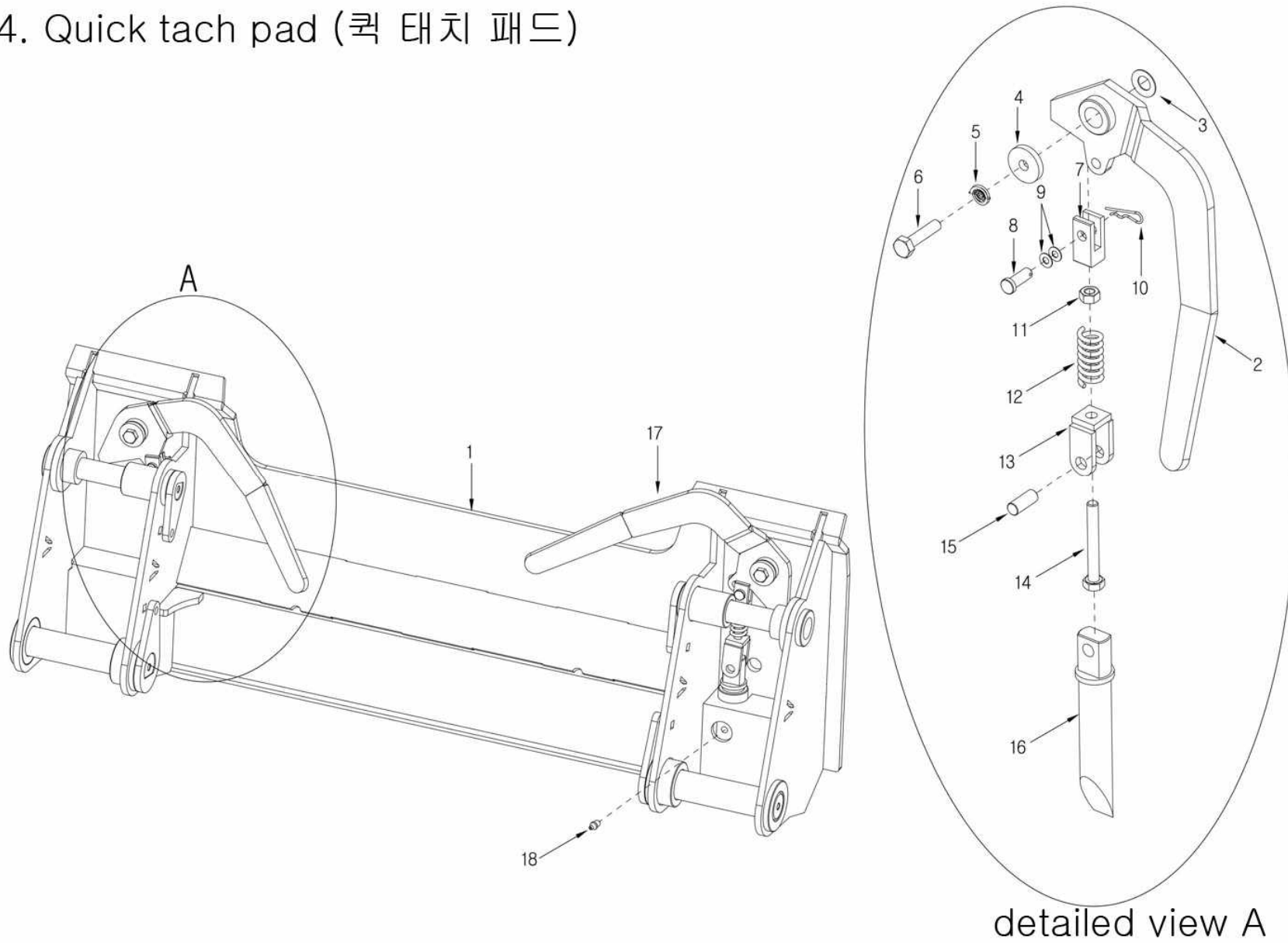
3. Lift arm (주뿔)				
No.	Name	Part No.	Quantity	Remarks
1	Lift arm assy (주뿔 조합)	330T4-0301	1	
2	Pad assy (패드 조합)	330T4-0302	1	
3	Horning pipe, pin for lift cylinder (주뿔실린더 핀-호닝관)	330T4-0303	6	
4	Bracket for Fixing Pin (핀 고정 브라켓)	330T4-0304	16	
5	Bolt (볼트)	330T4-0305	48	
6	Spring washer (스프링 와셔)	330T4-0306	34	
7	Washer (와셔)	330T4-0307	12	
8	Washer (와셔)	330T4-0308	10	
9	Square bolt (사각 볼트)	330T4-0309	12	
10	Nut (너트)	330T4-0310	24	
11	Link pin (링크 핀)	330T4-0311	2	
12	Rod, pin for lift cylinder (주뿔 실린더 핀-로드)	330T4-0312	2	
13	Pin, coupling tube (연결관 핀)	330T4-0313	2	
14	Rod, pin for lift cylinder (버킷 실린더 핀-로드)	330T4-0314	2	
15	Pin for pad (패드 핀)	330T4-0315	2	
16	Lift arm cylinder RH (오른쪽 주뿔 실린더)	330T4-0316	1	
17	Lift arm cylinder LH (왼쪽 주뿔 실린더)	330T4-0317	1	
18	Tilt cylinder RH (오른쪽 버킷 실린더)	330T4-0318	1	
19	Tilt cylinder LH (왼쪽 버킷 실린더)	330T4-0319	1	
20	Lift arm support device (주뿔 지지대)	330T4-0320	1	
21	Fixed Pin (고정 핀)	330T4-0321	1	
22	Snap pin (스냅핀)	330T4-0322	1	
23	Knob bolt (노브 볼트)	330T4-0323	2	
24	DU bush (DU 부시)	330T4-0324	8	
25	Grease nipple (그리스 니플)	330T4-0325	4	

3. Lift arm (주분)



3. Lift arm (주뿔) (Cont'd) (계속)				
No.	Name	Part No.	Quantity	Remarks
26	Cover (커버)	330T4-0326	2	
27	Washer (와셔)	330T4-0327	8	
28	Bolt (볼트)	330T4-0328	8	
29	Bucket assy (버킷 조합)	330T4-0329	1	

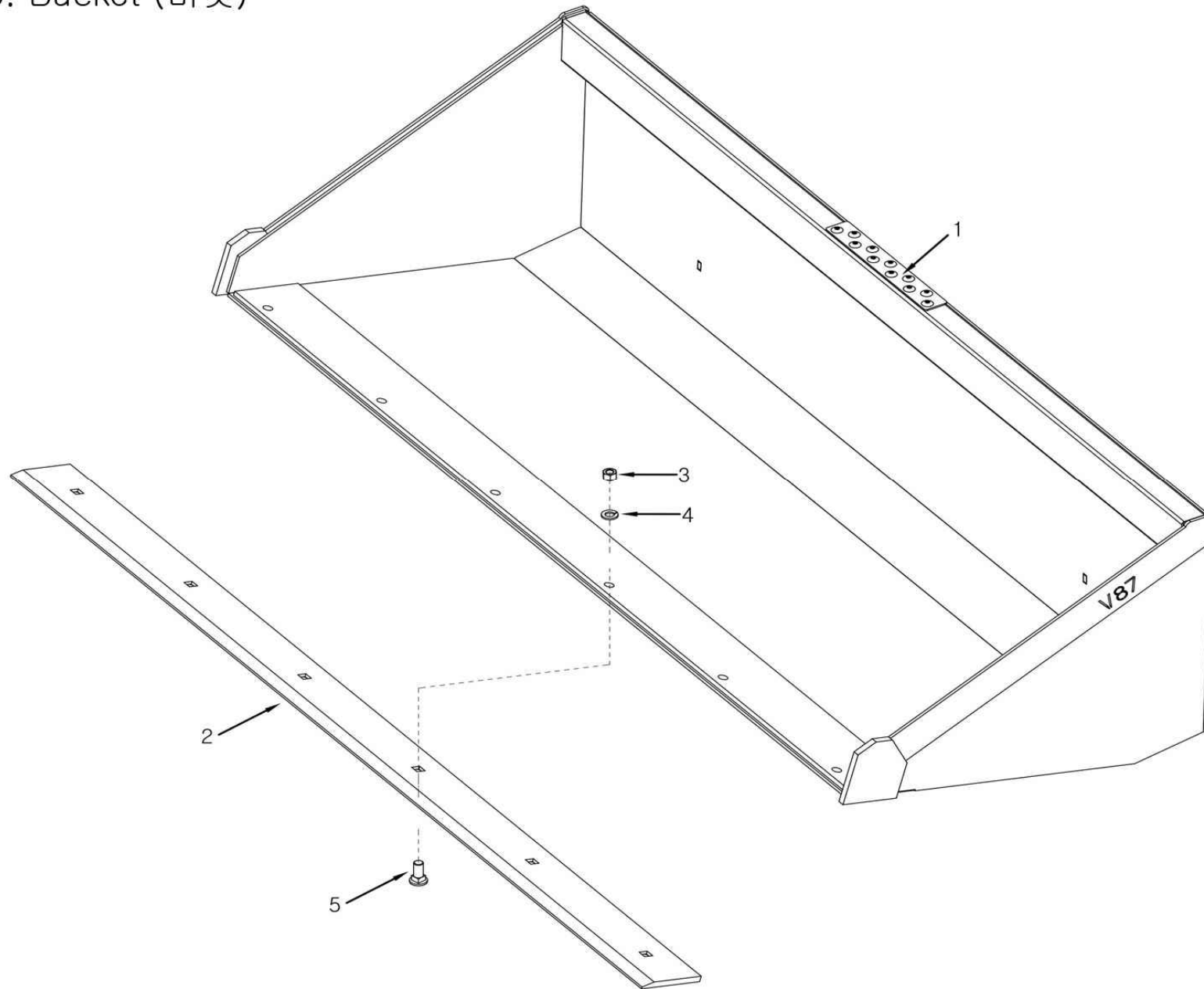
4. Quick tach pad (퀵 태치 패드)



detailed view A

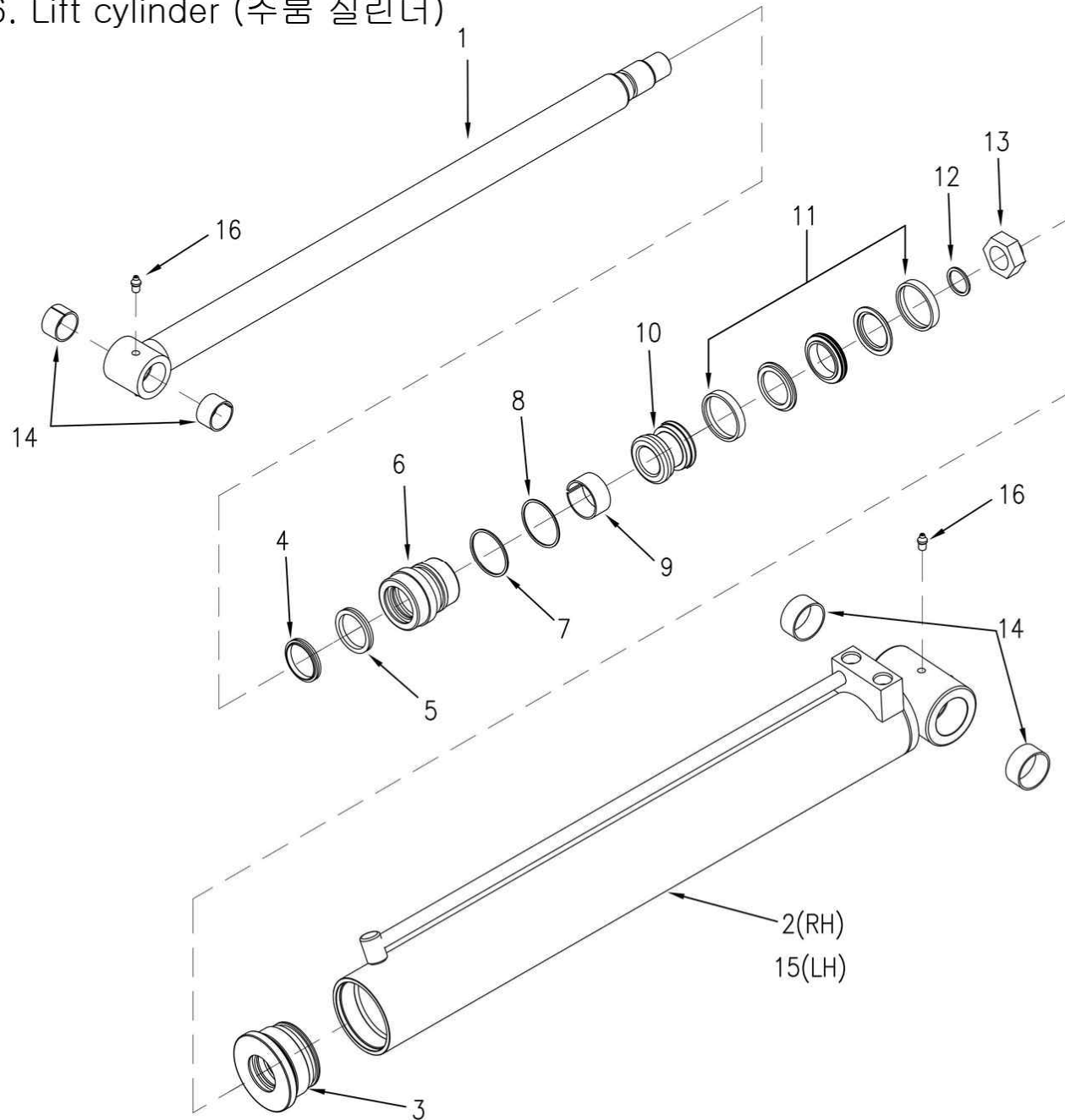
4. Quick tach pad (퀵 태치 패드)				
No.	Name	Part No.	Quantity	Remarks
1	Pad assy (패드조합)	330T4-0401	1	
2	Handle LH (손잡이 왼쪽)	330T4-0402	1	
3	Belleville washer (접시 스프링 와셔)	330T4-0403	2	
4	Washer (와셔)	330T4-0404	2	
5	Spring washer (스프링 와셔)	330T4-0405	2	
6	Bolt (볼트)	330T4-0406	2	
7	Coupling box (연결함)	330T4-0407	2	
8	Fixed pin (고정 핀)	330T4-0408	2	
9	Washer (와셔)	330T4-0409	4	
10	Snap pin (스냅 핀)	330T4-0410	2	
11	Nut (너트)	330T4-0411	2	
12	Spring (스프링)	330T4-0412	2	
13	Coupling box (연결함)	330T4-0413	2	
14	Bolt (볼트)	330T4-0414	2	
15	Fixed pin (고정 핀)	330T4-0415	2	
16	Pin (잠금 핀)	330T4-0416	2	
17	Handle RH (손잡이 오른쪽)	330T4-0417	1	
18	Grease nipple (그리스 니플)	330T4-0418	2	

5. Bucket (버킷)



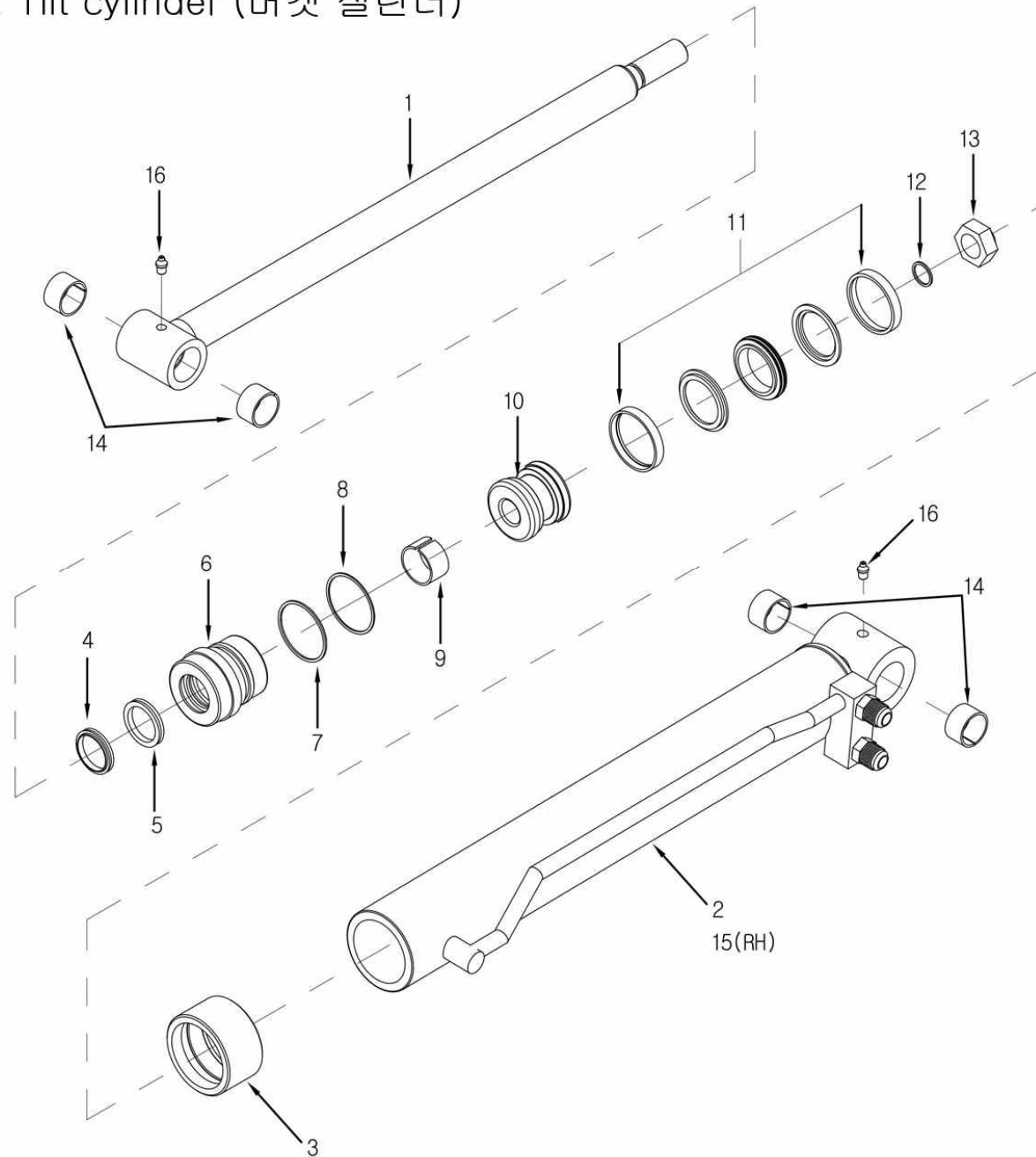
5. Bucket (버킷)				
No.	Name	Part No.	Quantity	Remarks
1	Bucket (버킷)	330T4-0501	1	
2	Blade (버킷 날)	330T4-0502	1	
3	Nut (너트)	330T4-0503	6	
4	Spring washer (스프링 와셔)	330T4-0504	6	
5	Square bolt (사각 볼트)	330T4-0505	6	

6. Lift cylinder (주봉 실린더)



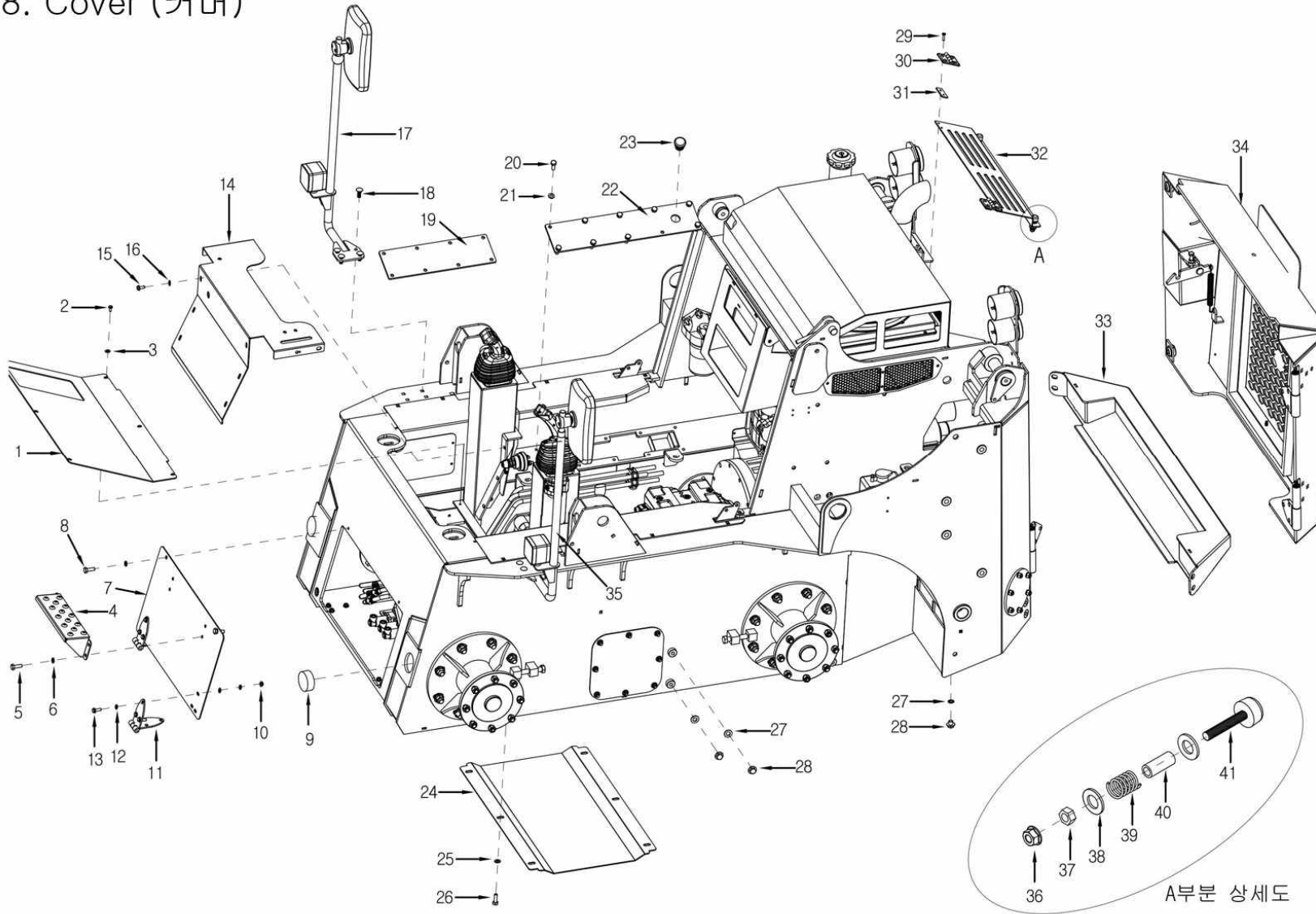
6. Lift cylinder (주봉 실린더)				
No.	Name	Part No.	Quantity	Remarks
1	Rod (로드)	330T4-0601	1	
2	Honing pipe Rh (호닝 관 RH)	330T4-0602	1	
3	Cap Nut (캡너트)	330T4-0603	1	
4	Dust seal (더스트 씰)	330T4-0604	1	
5	Rod seal (로드 씰)	330T4-0605	1	
6	Gland (그랜드)	330T4-0606	1	
7	O-ring (오 링)	330T4-0607	1	
8	Back-up ring (백업링)	330T4-0608	1	
9	DU bush (DU 부시)	330T4-0609	1	
10	Piston (피스톤)	330T4-0610	1	
11	Compact seal (컴팩트 씰)	330T4-0611	1	
12	O-ring (오 링)	330T4-0612	1	
13	Nut (너트)	330T4-0613	1	
14	DU bearing (DU 베어링)	330T4-0614	4	
15	Honing pipe Lh (호닝 관 LH)	330T4-0615	1	
16	Grease nipple (그리스니플)	330T4-0616	2	

7. Tilt cylinder (버킷 실린더)



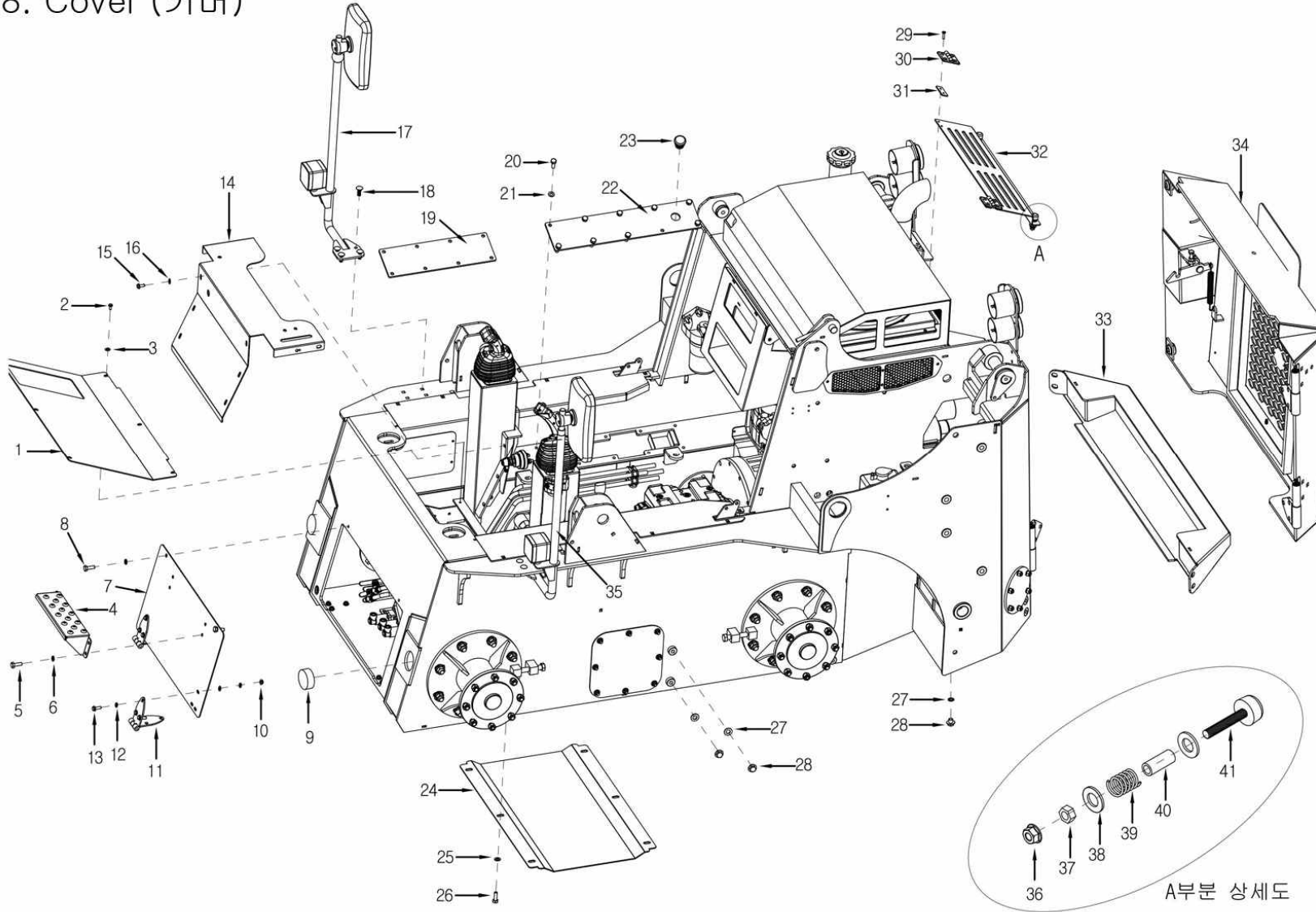
7. Tilt cylinder (버킷 실린더)				
No.	Name	Part No.	Quantity	Remarks
1	Rod (로드)	330T4-0701	1	
2	Honing pipe Lh (호닝 관 LH)	330T4-0702	1	
3	Cap Nut (캡 너트)	330T4-0703	1	
4	Dust seal (더스트 씰)	330T4-0704	1	
5	Rod seal (로드 씰)	330T4-0705	1	
6	Gland (그랜드)	330T4-0706	1	
7	O-ring (오 링)	330T4-0707	1	
8	Back-up ring (백업 링)	330T4-0708	1	
9	DU bush (DU 부시)	330T4-0709	1	
10	Piston (피스톤)	330T4-0710	1	
11	Compact seal (컴팩트 씰)	330T4-0711	1	
12	O-ring (오 링)	330T4-0712	1	
13	Nut (너트)	330T4-0713	1	
14	DU bearing (DU 베어링)	330T4-0714	4	
15	Honing pipe Rh (호닝 관 RH)	330T4-0715	1	
16	Grease nipple (그리스 니플)	330T4-0716	2	

8. Cover (커버)



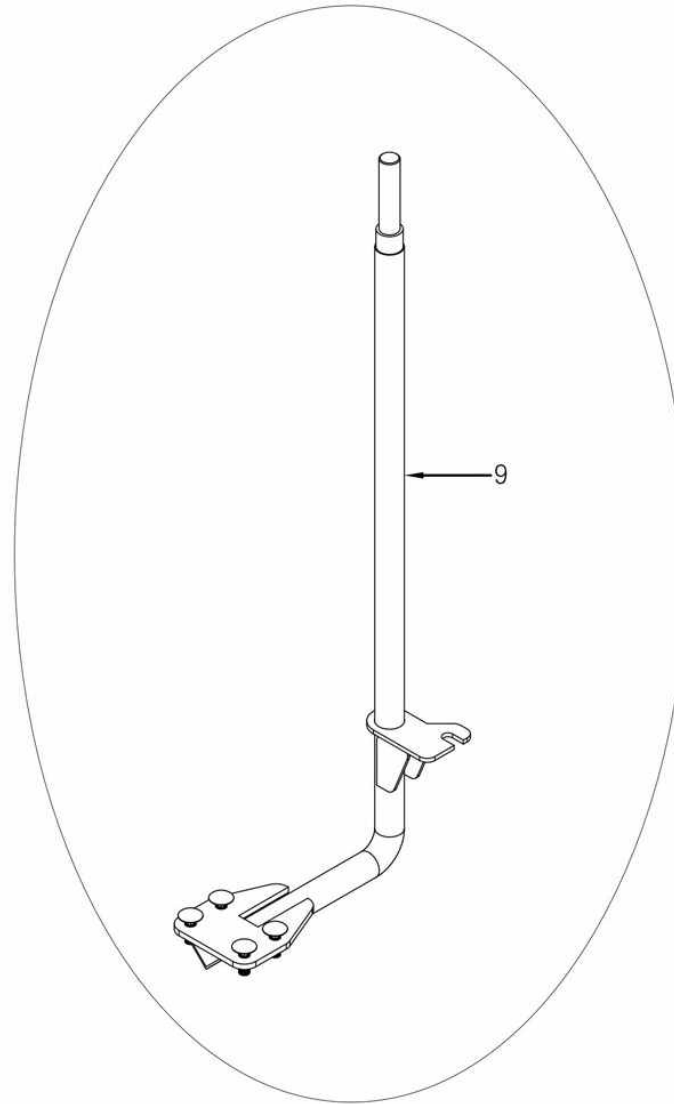
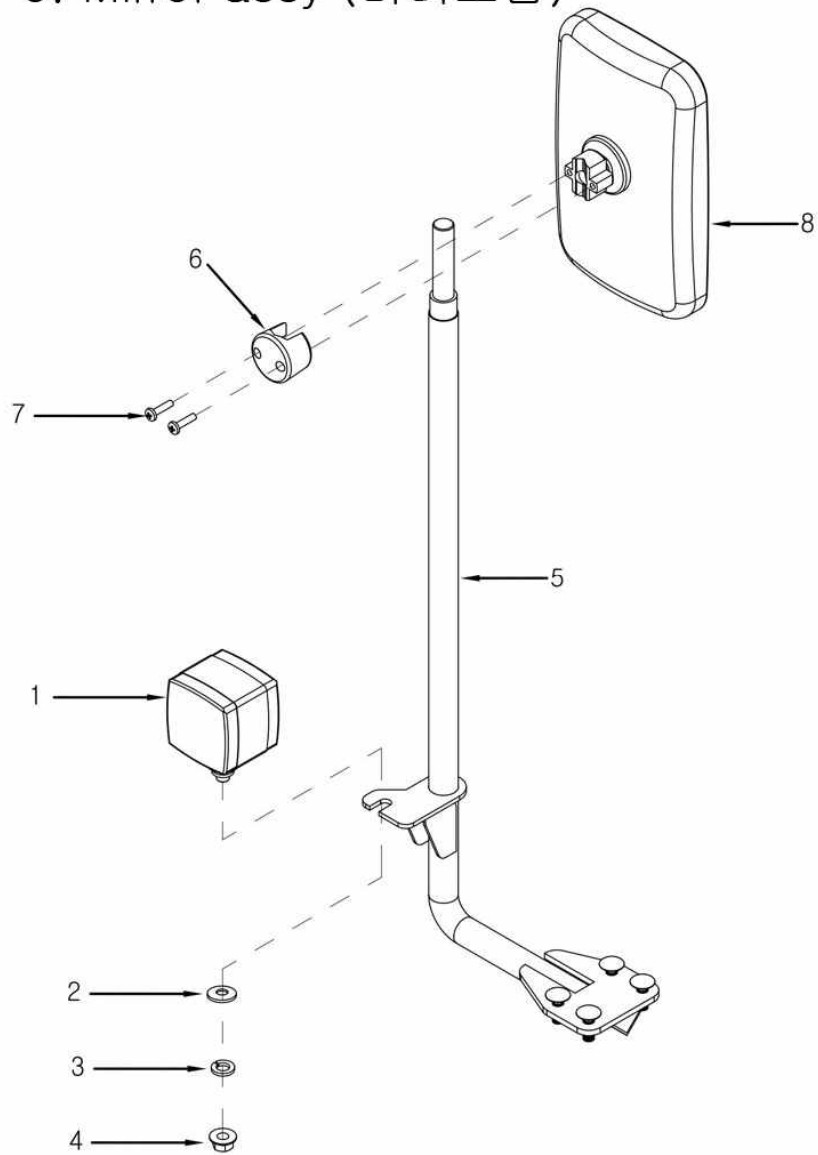
8. Cover (커버)				
No.	Name	Part No.	Quantity	Remarks
1	Foot board (발판)	330T4-0801	1	
2	Bolt (볼트)	330T4-0802	6	
3	Washer (와셔)	330T4-0803	6	
4	Foot Support (발 받침대)	330T4-0804	1	
5	Bolt (볼트)	330T4-0805	4	
6	Spring Washer (스프링 와셔)	330T4-0806	4	
7	Front Cover (앞쪽 커버)	330T4-0807	1	
8	Bolt (볼트)	330T4-0808	2	
9	Rubber support (고무 받침대)	330T4-0809	2	
10	Nut (너트)	330T4-0810	12	
11	Hinge (힌지)	330T4-0811	2	
12	Washer (와셔)	330T4-0812	12	
13	Bolt (볼트)	330T4-0813	12	
14	Midder Cover (중간 커버)	330T4-0814	1	
15	Bolt (볼트)	330T4-0815	6	
16	Washer (와셔)	330T4-0816	6	
17	Mirror holder assy (미러 조합)-RH	330T4-0817	1	
18	Square bolt (사각 볼트)	330T4-0818	8	
19	Front chain case cover (앞쪽 체인케이스커버)	330T4-0819	1	
20	Bolt (볼트)	330T4-0820	36	
21	Spring Washer (스프링 와셔)	330T4-0821	36	
22	Rear chain case cover (뒤쪽 체인 케이스 커버)	330T4-0822	1	
23	Cap (마개)	330T4-0823	2	
24	Bottom plate (바닥판)	330T4-0824	1	
25	Washer (와셔)	330T4-0825	6	

8. Cover (커버)



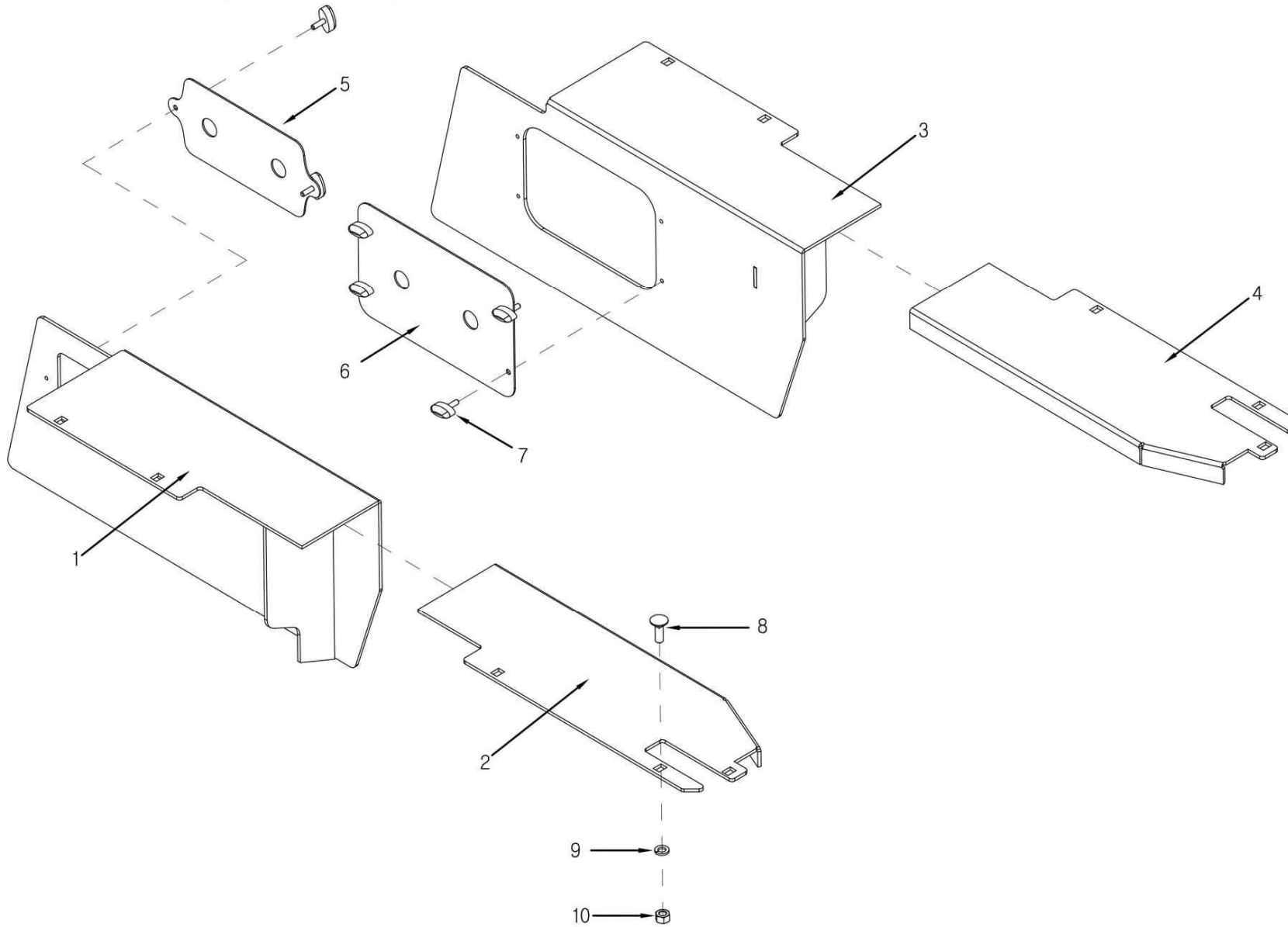
8. Cover (커버) (Cont'd) (계속)				
No.	Name	Part No.	Quantity	Remarks
26	Bolt (볼트)	330T4-0826	6	
27	Bonded seal (본딩 씬)	330T4-0827	6	
28	Drain bolt (퇴유볼트)	330T4-0828	6	
29	Bolt (볼트)	330T4-0829	8	
30	Hinge (힌지)	330T4-0830	2	
31	Spacer plate (간격판)	330T4-0831	2	
32	Upper engine room cover (위쪽 엔진룸 커버)	330T4-0832	1	
33	Bumper assy (범퍼 조합)	330T4-0833	1	
34	Engine room cover assy (엔진룸 커버 조합)	330T4-0834	1	
35	Mirror holder assy (미러 조합)-LH	330T4-0835	1	
36	Nut (너트)	330T4-0836	2	
37	Nut (너트)	330T4-0837	2	
38	Washer (와셔)	330T4-0838	4	
39	Spring (스프링)	330T4-0839	2	
40	Spacer (간격통)	330T4-0840	2	
41	Bolt (볼트)	330T4-0841	2	

9. Mirror assy (미러조합)



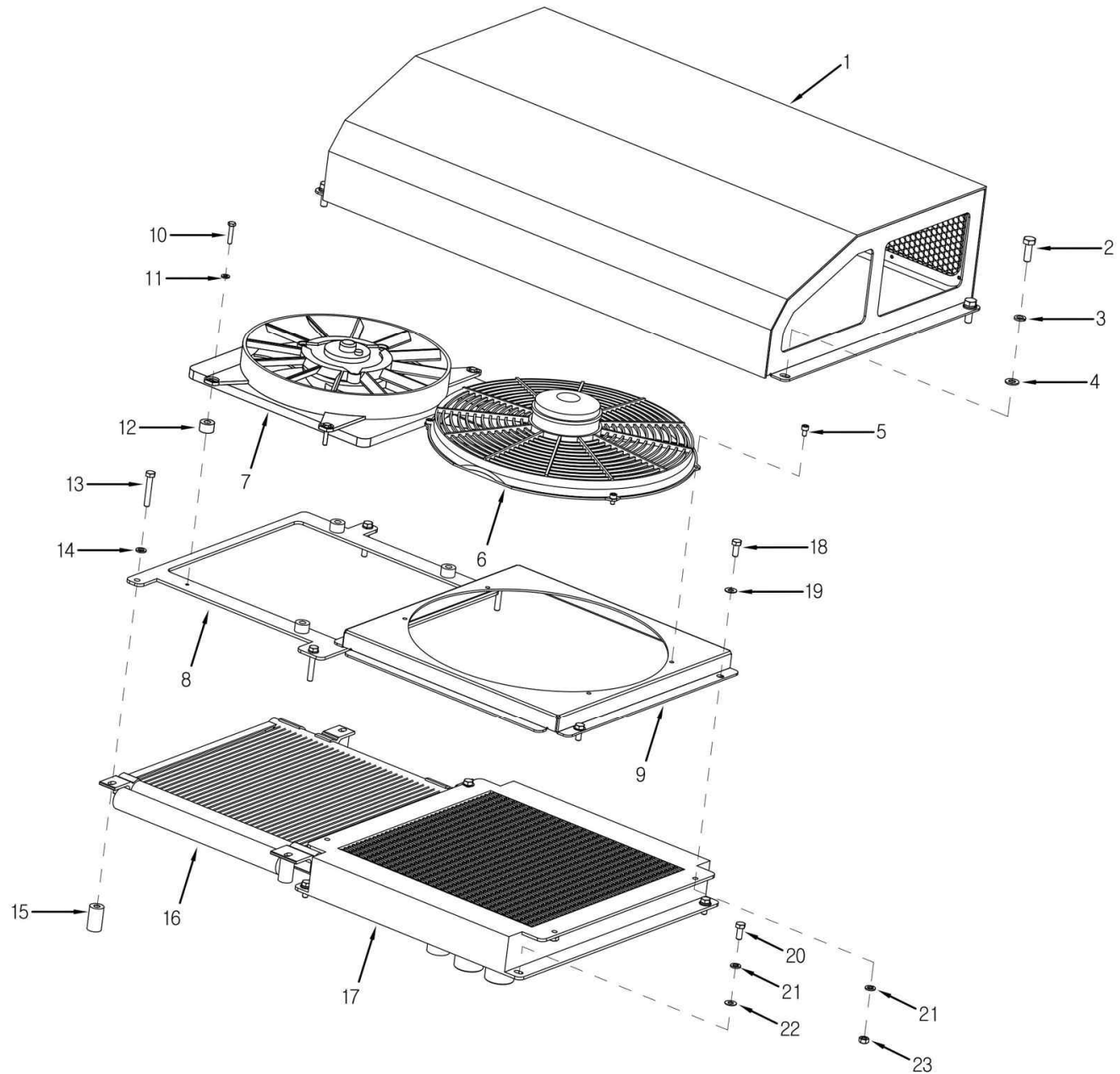
9. Mirror assy (미러조합)				
No.	Name	Part No.	Quantity	Remarks
1	Direction indicator (방향지시등)	330T4-0901	2	
2	Washer (와셔)	330T4-0902	2	
3	Spring washer (스프링 와셔)	330T4-0903	2	
4	Nut (너트)	330T4-0904	2	
5	Mirror holder (미러 받침대(RH))	330T4-0905	1	
6	Socket fixing mirror (미러 고정 소켓)	330T4-0906	2	
7	Bolt (볼트)	330T4-0907	4	
8	Mirror (미러)	330T4-0908	2	
9	Mirror holder (미러 받침대(LH))	330T4-0909	1	

10. Side cover (사이드 커버)



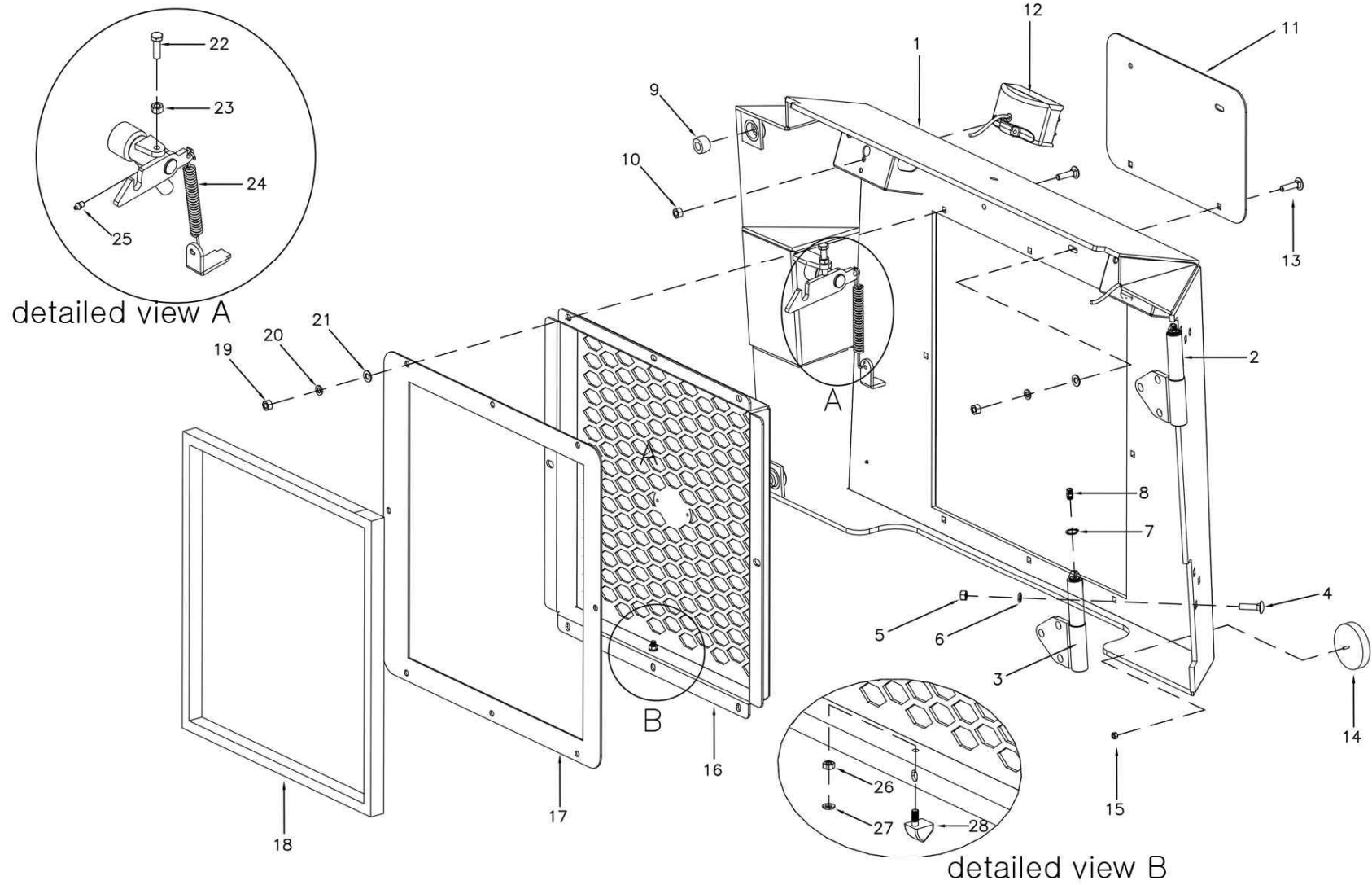
10. Side cover (사이드 커버)				
No.	Name	Part No.	Quantity	Remarks
1	Front Side Cover (LH) (앞쪽 사이드 커버)	330T4-1001	1	
2	Rear Side Cover (LH) (뒤쪽 사이드 커버)	330T4-1002	1	
3	Front Side Cover (RH) (앞쪽 사이드 커버)	330T4-1003	1	
4	Rear Side Cover (RH) (뒤쪽 사이드 커버)	330T4-1004	1	
5	Fuse box cover (퓨즈 박스 정비 창)	330T4-1005	1	
6	Relay box cover (릴레이 박스 정비창)	330T4-1006	1	
7	Knob bolt (노브 볼트)	330T4-1007	6	
8	Square head bolt (근각 볼트)	330T4-1008	10	
9	Spring washer (스프링 와셔)	330T4-1009	10	
10	Nut (너트)	330T4-1010	10	

11. Electric Cooler assy (전기식쿨러조합)



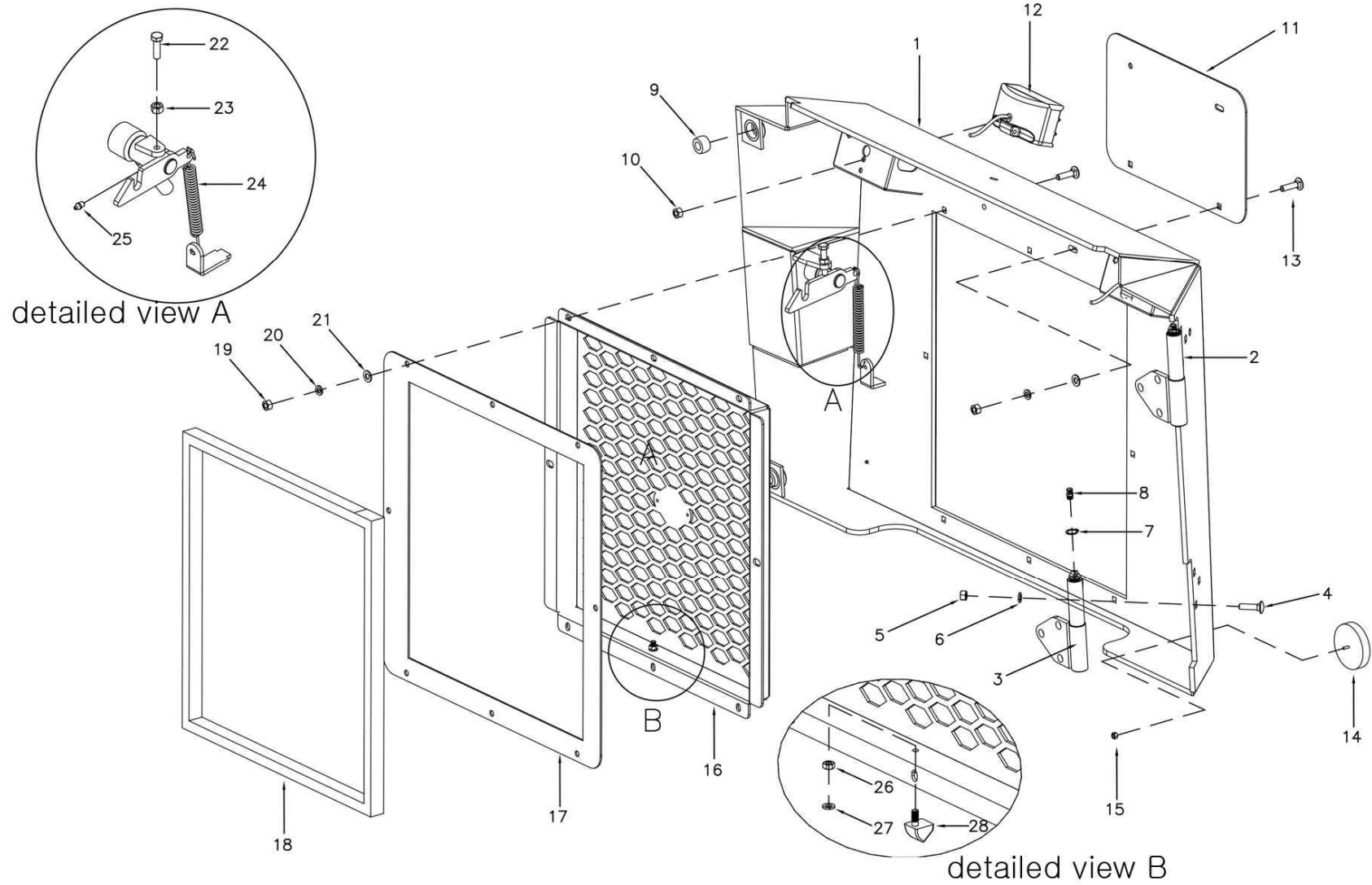
11. Electric Cooler assy (전기식 쿨러 조합)				
No.	Name	Part No.	Quantity	Remarks
1	Cover assy (커버조합)	330T4-1101	1	
2	Bolt (볼트)	330T4-1102	4	
3	Spring Washer (스프링 와셔)	330T4-1103	4	
4	Washer (와셔)	330T4-1104	4	
5	Bolt (볼트)	330T4-1105	4	
6	Fan cover (팬커버)	330T4-1106	1	
7	Fan assy, air conditioner (Optional item) (팬조합)-에어컨 옵션	330T4-1107	1	
8	Fixing plate for fan, air conditioner (Optional item) (팬 고정 판)-에어컨옵션	330T4-1108	1	
9	Fing plate for fan (팬 고정 판)	330T4-1109	1	
10	Bolt (볼트)	330T4-1110	4	
11	Washer (와셔)	330T4-1111	4	
12	Spacer for fan assy (간격통-팬조합용)	330T4-1112	4	
13	Bolt (볼트)	330T4-1113	4	
14	Spring Washer (스프링 와셔)	330T4-1114	4	
15	Spacer for condenser assy (간격통-컨덴셔용)	330T4-1115	4	
16	Condenser (컨덴셔)	330T4-1116	1	
17	Electric Oil Cooler (전기식오일쿨러)	330T4-1117	1	
18	Bolt (볼트)	330T4-1118	4	
19	Washer (와셔)	330T4-1119	4	
20	Bolt (볼트)	330T4-1120	4	
21	Spring Washer (스프링 와셔)	330T4-1121	8	
22	Washer (와셔)	330T4-1122	4	
23	Nut (너트)	330T4-1123	4	

12. Engine room cover (엔진룸 커버)



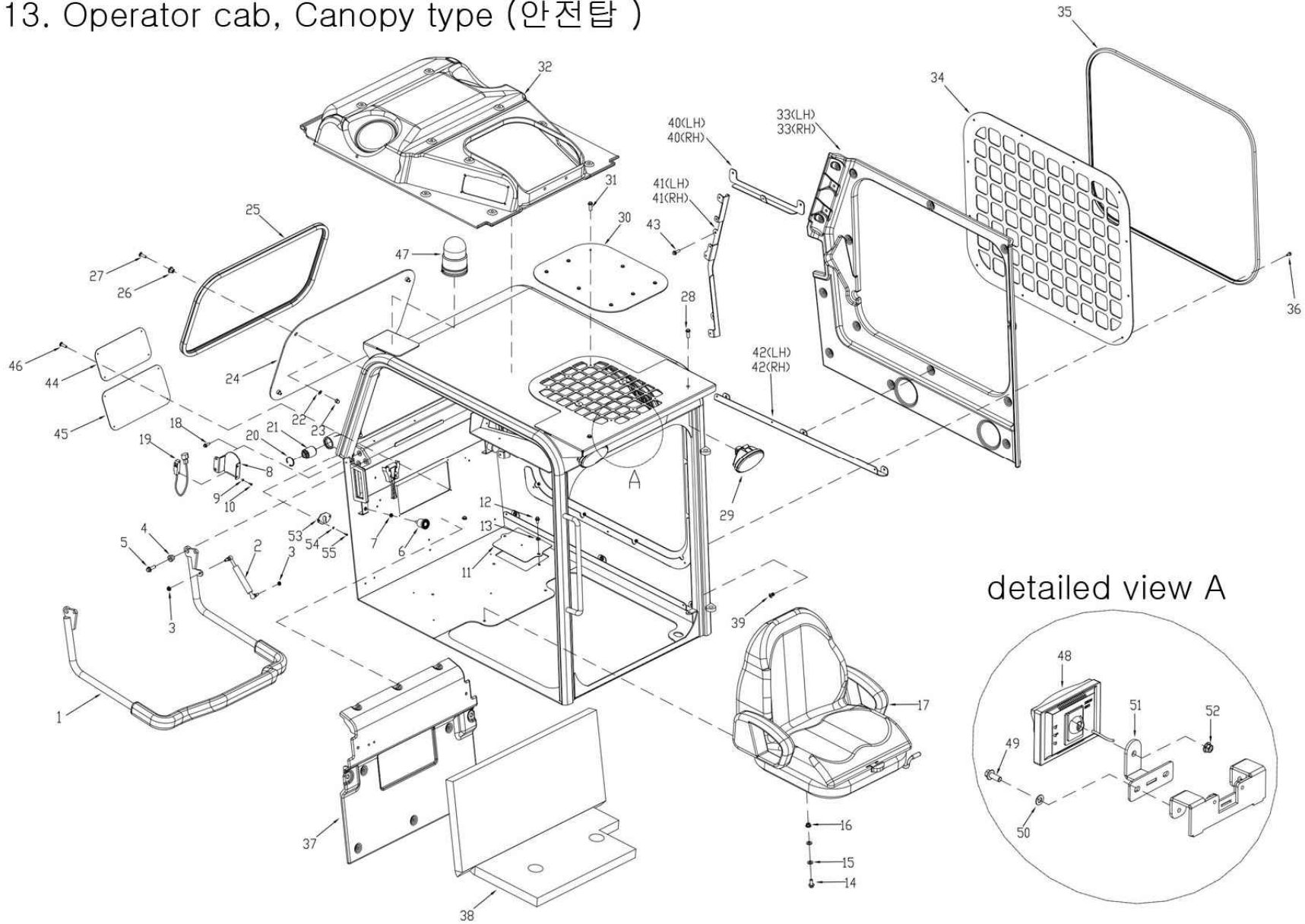
12. Engine room cover (엔진룸 커버)				
No.	Name	Part No.	Quantity	Remarks
1	Engine room cover (엔진 룸 커버)	330T4-1201	1	
2	Hinge shaft (힌지 축)	330T4-1202	2	
3	Hinge socket (힌지 소켓)	330T4-1203	2	
4	Square head bolt (사각머리볼트)	330T4-1204	12	
5	Nut (너트)	330T4-1205	12	
6	Spring washer (스프링 와셔)	330T4-1206	12	
7	Snap ring (스냅링)	330T4-1207	2	
8	Grease nipple (그리스 니플)	330T4-1208	2	
9	Rubber support (고무 받침)	330T4-1209	2	
10	Nut (너트)	330T4-1210	2	
11	Bracket for number plate (번호판 브라켓)	330T4-1211	1	
12	Light (전조등)	330T4-1212	2	
13	Square head bolt (사각머리볼트)	330T4-1213	10	
14	Reflector (반사판)	330T4-1214	2	
15	Nut (너트)	330T4-1215	2	
16	Auxiliary cover (보조 커버)	330T4-1216	1	
17	Guide (가이드)	330T4-1217	1	
18	Sound absorbing material (흡음제)	330T4-1218	1	
19	Nut (너트)	330T4-1219	10	
20	Spring washer (스프링 와셔)	330T4-1220	10	
21	Washer (와셔)	330T4-1221	10	
22	Adjusting bolt (조정 볼트)	330T4-1222	1	
23	Nut (너트)	330T4-1223	1	
24	Spring (스프링)	330T4-1224	1	
25	Grease nipple (그리스 니플)	330T4-1225	1	

12. Engine room cover (엔진룸 커버)



12. Engine room cover (엔진룸 커버) (Cont'd) (계속)				
No.	Name	Part No.	Quantity	Remarks
26	Nut (너트)	330T4-1226	1	
27	Spring washer (스프링 와셔)	330T4-1227	1	
28	Rear view camera (후방 카메라)	330T4-1228	1	

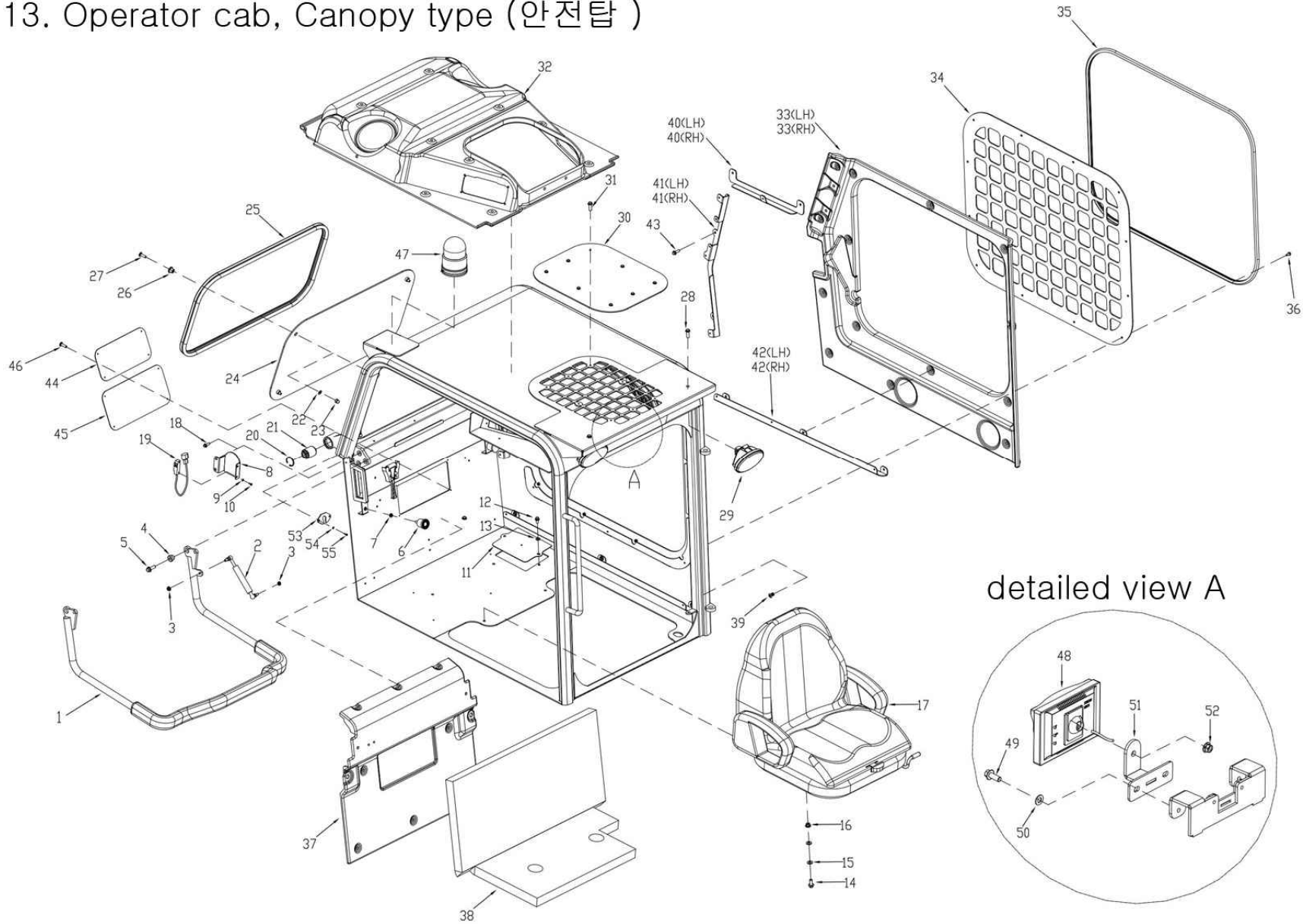
13. Operator cab, Canopy type (안전탑)



detailed view A

13. Operator cab, Canopy type (안전탑)-기본형				
No.	Name	Part No.	Quantity	Remarks
1	Safety bar (안전바)	330T4-1301	1	
2	Gas-shock absorber (가스 쇼버)	330T4-1302	1	
3	Lock Nut (락너트)	330T4-1303	2	
4	Fixed bush (고정 부시)	330T4-1304	4	
5	Bolt (볼트)	330T4-1305	4	
6	Rubber support for safety bar (안전바용 고무받침)	330T4-1306	2	
7	Nut (너트)	330T4-1307	2	
8	Safety bar cover LH,Rh (안전바 커버-LH,RH)	330T4-1308	2	
9	Washer (와셔)	330T4-1309	4	
10	Bolt (볼트)	330T4-1310	4	
11	Fuse box cover (퓨즈박스 커버)	330T4-1311	1	
12	Bolt (볼트)	330T4-1312	2	
13	Washer (와셔)	330T4-1313	2	
14	Bolt (볼트)	330T4-1314	4	
15	Washer (와셔)	330T4-1315	8	
16	Nut (너트)	330T4-1316	4	
17	Seat (시트)	330T4-1317	1	
18	Bolt (볼트)	330T4-1318	4	
19	Proximity sensor (근접센서)	330T4-1319	1	
20	Snap ring (스냅링)	330T4-1320	4	
21	Rubber operator cab (안전탑용 고무)	330T4-1321	2	
22	Washer (와셔)	330T4-1322	4	
23	Nut (너트)	330T4-1323	4	
24	Rear glass (뒤쪽 창)	330T4-1324	1	
25	Molding rubber (몰딩 고무)	330T4-1325	1	

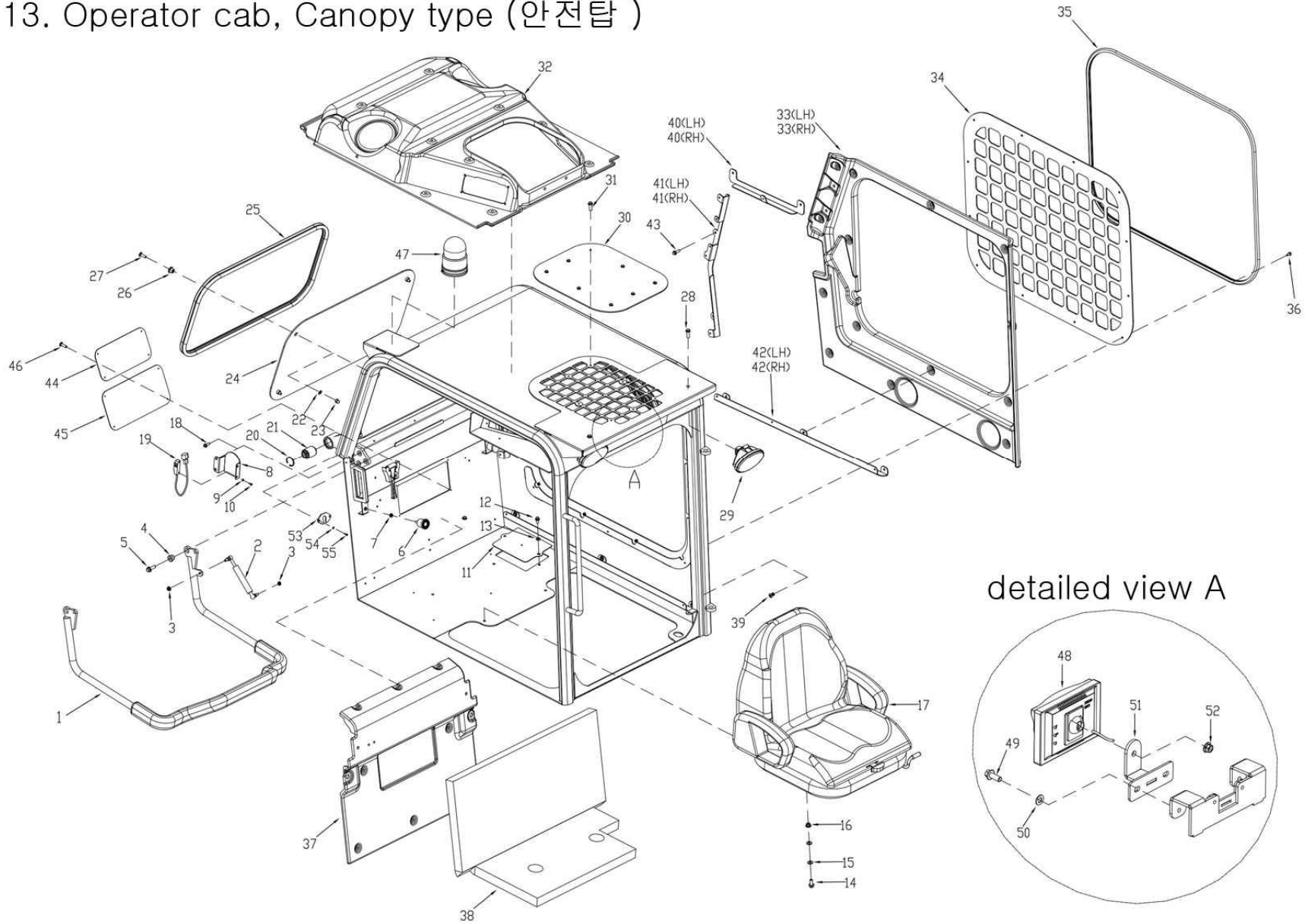
13. Operator cab, Canopy type (안전탑)



detailed view A

13. Operator cab, Canopy type (안전탑)-기본형 (Cont'd) (계속)				
No.	Name	Part No.	Quantity	Remarks
26	MC bushing (MC 부상)	330T4-1326	4	
27	Bolt (볼트)	330T4-1327	4	
28	Bolt (볼트)	330T4-1328	2	
29	Light (라이트)	330T4-1329	2	
30	Upper glass (위쪽 창)	330T4-1330	1	
31	Bolt (볼트)	330T4-1331	8	
32	Upper interior material (위쪽 내장재)	330T4-1332	1	
33	Side interior material LH / RH (왼쪽 내장재 LH / RH)	330T4-1333	2	
34	Safeguard Net (보호망)	330T4-1334	2	
35	Side Molding rubber (측면몰딩 고무)	330T4-1335	2	
36	Bolt (볼트)	330T4-1336	24	
37	Rear interior material (뒤쪽 내장재)	330T4-1337	1	
38	Soundproof plate (방음판)	330T4-1338	1	
39	Bolt for interior material (내장재 고정볼트)	330T4-1339	55	
40	Bracket interior material I (내장재 브라켓 I)	330T4-1340	2	
41	Bracket interior material II (내장재 브라켓 II)	330T4-1341	2	
42	Bracket interior material III (내장재 브라켓 III)	330T4-1342	2	
43	Bolt (볼트)	330T4-1343	14	
44	Rear aux. cover (뒷판 보조커버)	330T4-1344	1	
45	Rear cover (뒷판 커버)	330T4-1345	1	
46	Bolt (볼트)	330T4-1346	8	
47	Rotating beacon (OPT.) (경광등(옵션))	330T4-1347	1	
48	Rear camera LCD (후방카메라용 LCD)	330T4-1348	1	
49	Bolt (볼트)	330T4-1349	2	
50	Spring Washer (스프링 와셔)	330T4-1350	2	

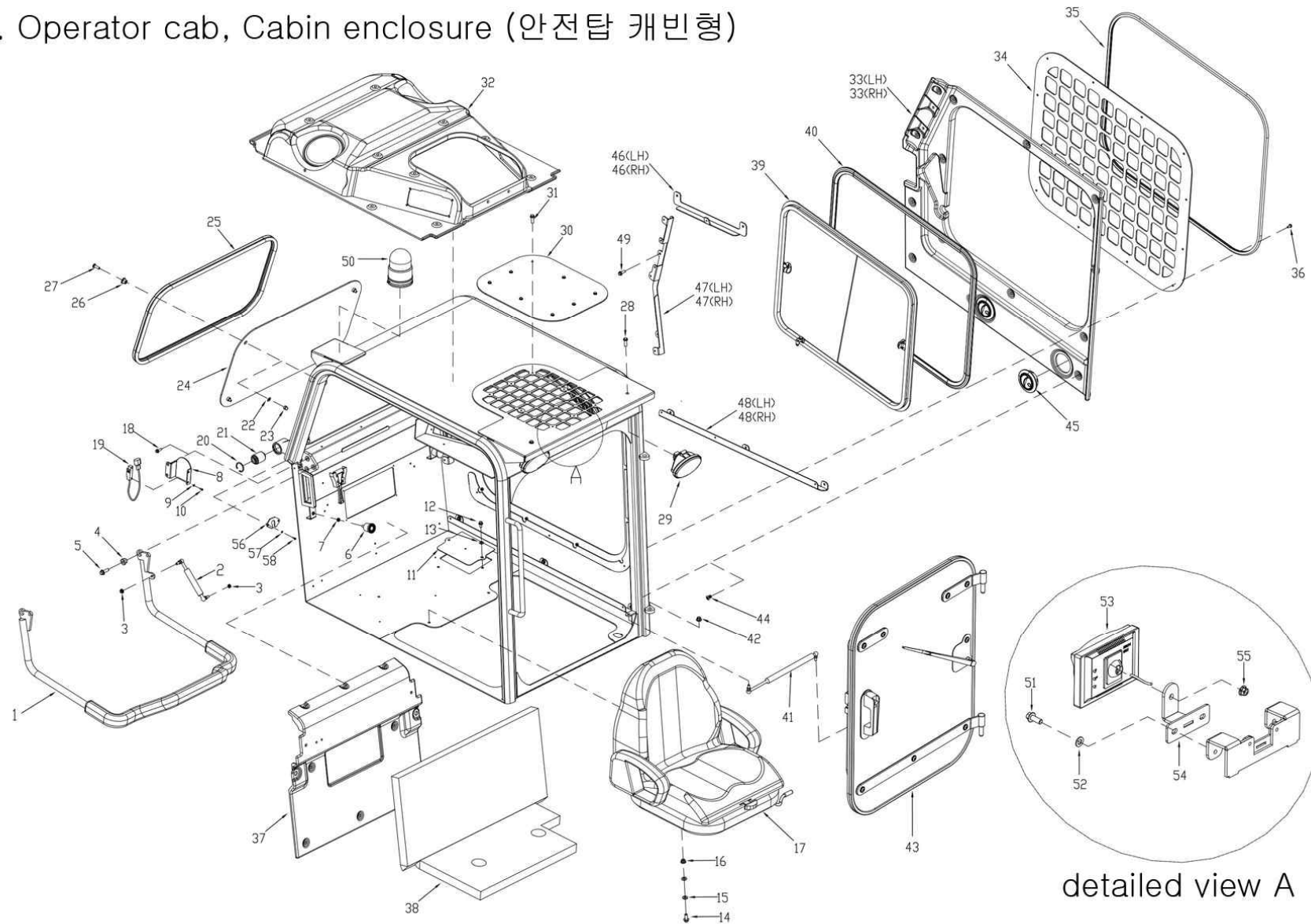
13. Operator cab, Canopy type (안전탑)



detailed view A

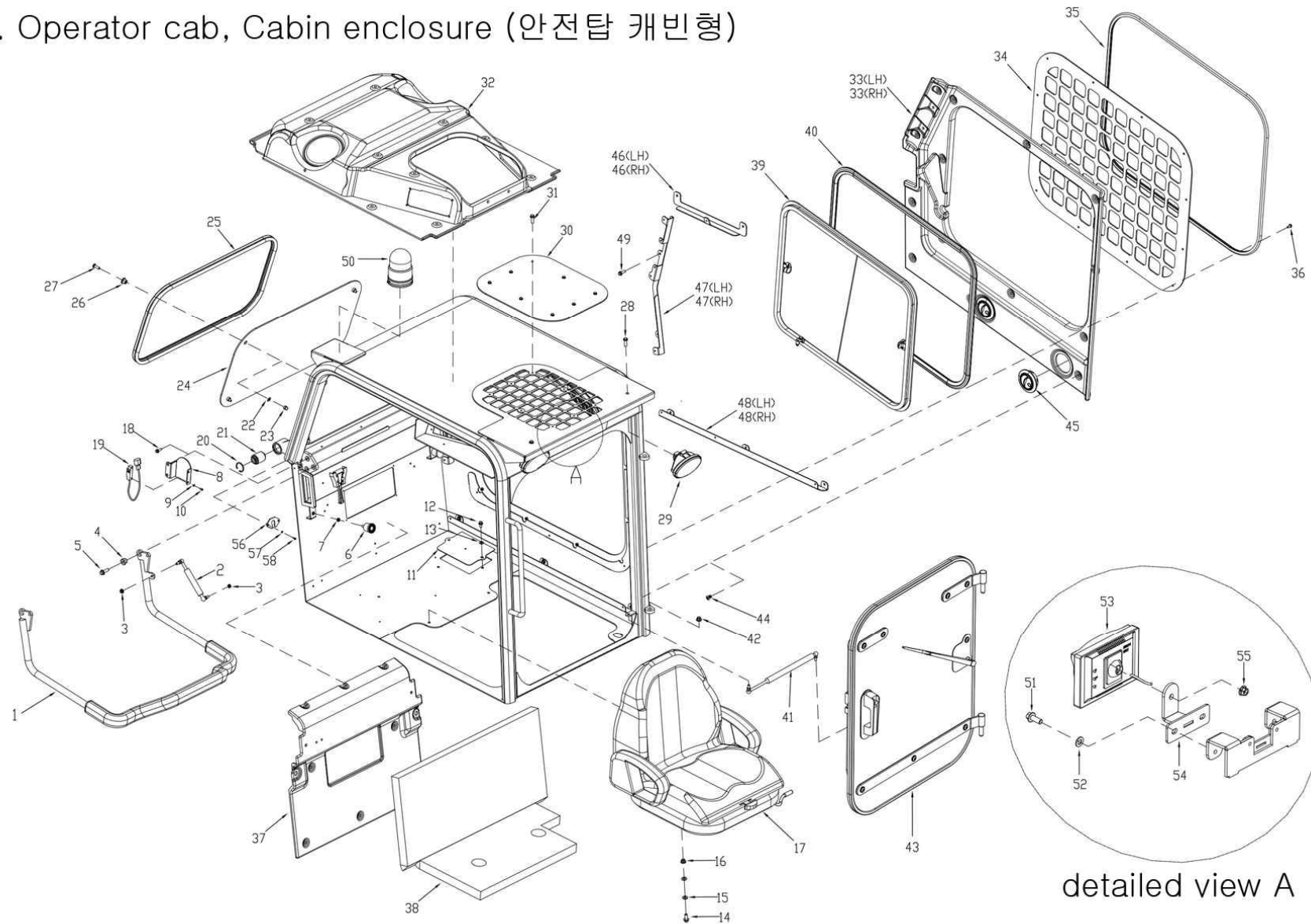
13. Operator cab, Canopy type (안전탑)-기본형 (Cont'd) (계속)				
No.	Name	Part No.	Quantity	Remarks
51	Fixing bracket for LCD (LCD 고정 브라켓)	330T4-1351	1	
52	Nut (너트)	330T4-1352	1	
53	Rubber gasket (고무 가스켓)	330T4-1353	1	
54	Washer (와셔)	330T4-1354	1	
55	Bolt (볼트)	330T4-1355	1	

14. Operator cab, Cabin enclosure (안전탑 캐빈형)



14. Operator cab, Cabin enclosure (안전탑 캐빈형)				
No.	Name	Part No.	Quantity	Remarks
1	Safety bar (안전바)	330T4-1301	1	
2	Gas-shock absorber (가스 쇼버)	330T4-1302	1	
3	Lock Nut (락너트)	330T4-1303	2	
4	Fixed bush (고정 부시)	330T4-1304	4	
5	Bolt (볼트)	330T4-1305	4	
6	Rubber support for safety bar (안전바용 고무받침)	330T4-1306	2	
7	Nut (너트)	330T4-1307	2	
8	Safety bar cover LH,Rh (안전바 커버-LH,RH)	330T4-1308	2	
9	Washer (와셔)	330T4-1309	4	
10	Bolt (볼트)	330T4-1310	4	
11	Fuse box cover (퓨즈박스 커버)	330T4-1311	1	
12	Bolt (볼트)	330T4-1312	2	
13	Washer (와셔)	330T4-1313	2	
14	Bolt (볼트)	330T4-1314	4	
15	Washer (와셔)	330T4-1315	8	
16	Nut (너트)	330T4-1316	4	
17	Seat (시트)	330T4-1317	1	
18	Bolt (볼트)	330T4-1318	4	
19	Proximity sensor (근접센서)	330T4-1319	1	
20	Snap ring (스냅링)	330T4-1320	4	
21	Rubber operator cab (안전탑용 고무)	330T4-1321	2	
22	Washer (와셔)	330T4-1322	4	
23	Nut (너트)	330T4-1323	4	
24	Rear glass (뒤쪽 창)	330T4-1324	1	
25	Molding rubber (몰딩 고무)	330T4-1325	1	

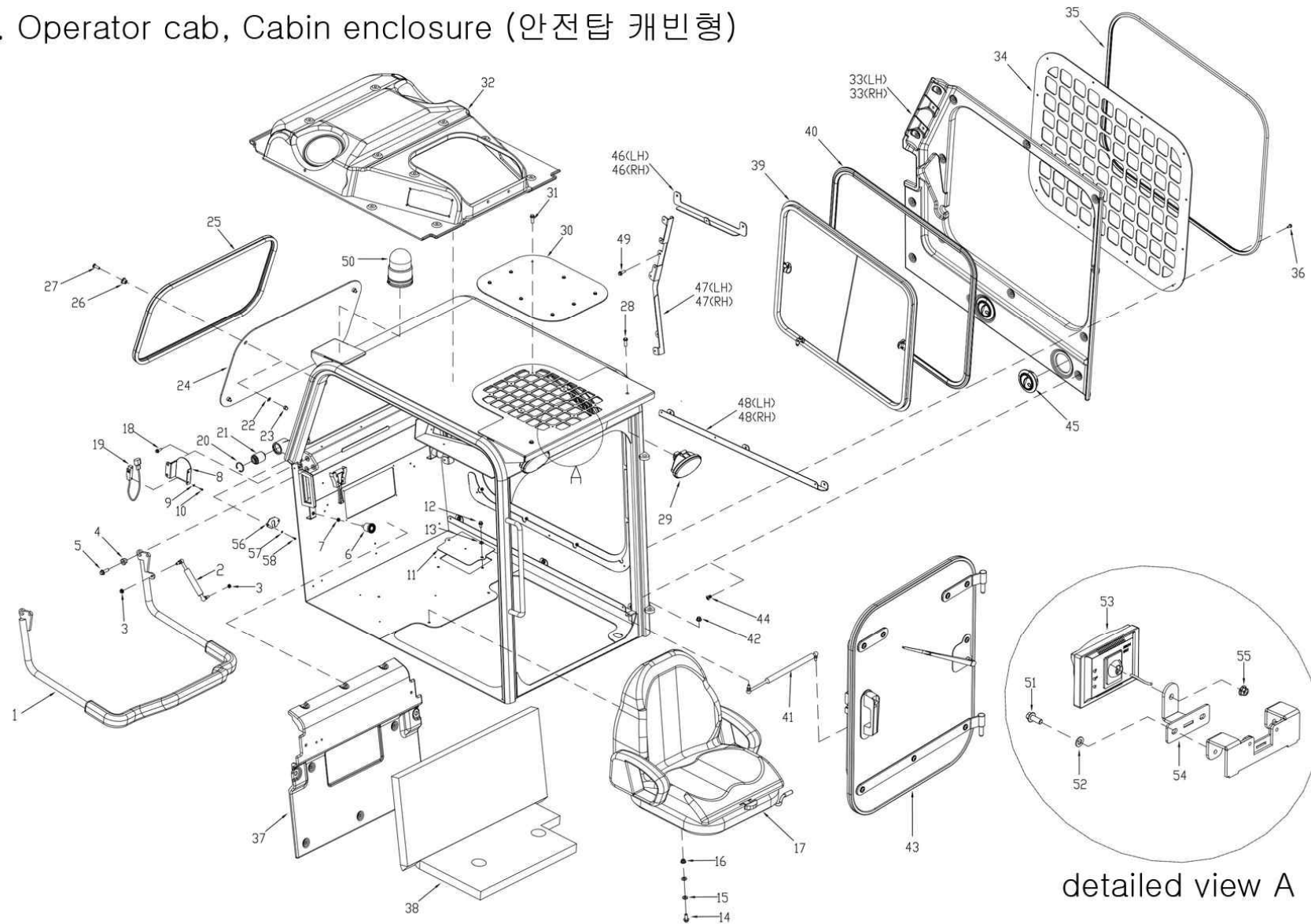
14. Operator cab, Cabin enclosure (안전탑 캐빈형)



detailed view A

14. Operator cab, Cabin enclosure (안전탑 캐빈형) (Cont'd) (계속)				
No.	Name	Part No.	Quantity	Remarks
26	MC bushing (MC 부상)	330T4-1326	4	
27	Bolt (볼트)	330T4-1327	4	
28	Bolt (볼트)	330T4-1328	2	
29	Light (라이트)	330T4-1329	2	
30	Upper glass (위쪽 창)	330T4-1330	1	
31	Bolt (볼트)	330T4-1331	8	
32	Upper interior material (위쪽 내장재)	330T4-1332	1	
33	Side interior material LH / RH (왼쪽 내장재 LH / RH)	330T4-1333	2	
34	Safeguard Net (보호망)	330T4-1334	2	
35	Side Molding rubber (측면 몰딩 고무)	330T4-1335	2	
36	Bolt (볼트)	330T4-1336	24	
37	Rear interior material (뒤쪽 내장재)	330T4-1337	1	
38	Soundproof plate (방음판)	330T4-1338	1	
39	Side window assy LH, RH (왼쪽, 오른쪽 옆 창문 조합)	330T4-1356	2	
40	Molding rubber (몰딩 고무)	330T4-1357	2	
41	Gas-shock absorber (가스 쇼버)	330T4-1358	1	
42	Bolt (볼트)	330T4-1359	2	
43	Front door assy (앞문 조합)	330T4-1360	1	
44	Bolt, interior materials (볼트)-내장재 고정 볼트	330T4-1361	55	
45	Nozzle for air conditioner (노즐-에어컨)	330T4-1362	8	
46	Bracket interior material I (내장재 브라켓 I)	330T4-1363	2	
47	Bracket interior material II (내장재 브라켓 II)	330T4-1364	2	
48	Bracket interior material III (내장재 브라켓 III)	330T4-1365	2	
49	Bolt (볼트)	330T4-1366	14	
50	Rotating beacon (OPT.) (경광등(옵션))	330T4-1347	1	

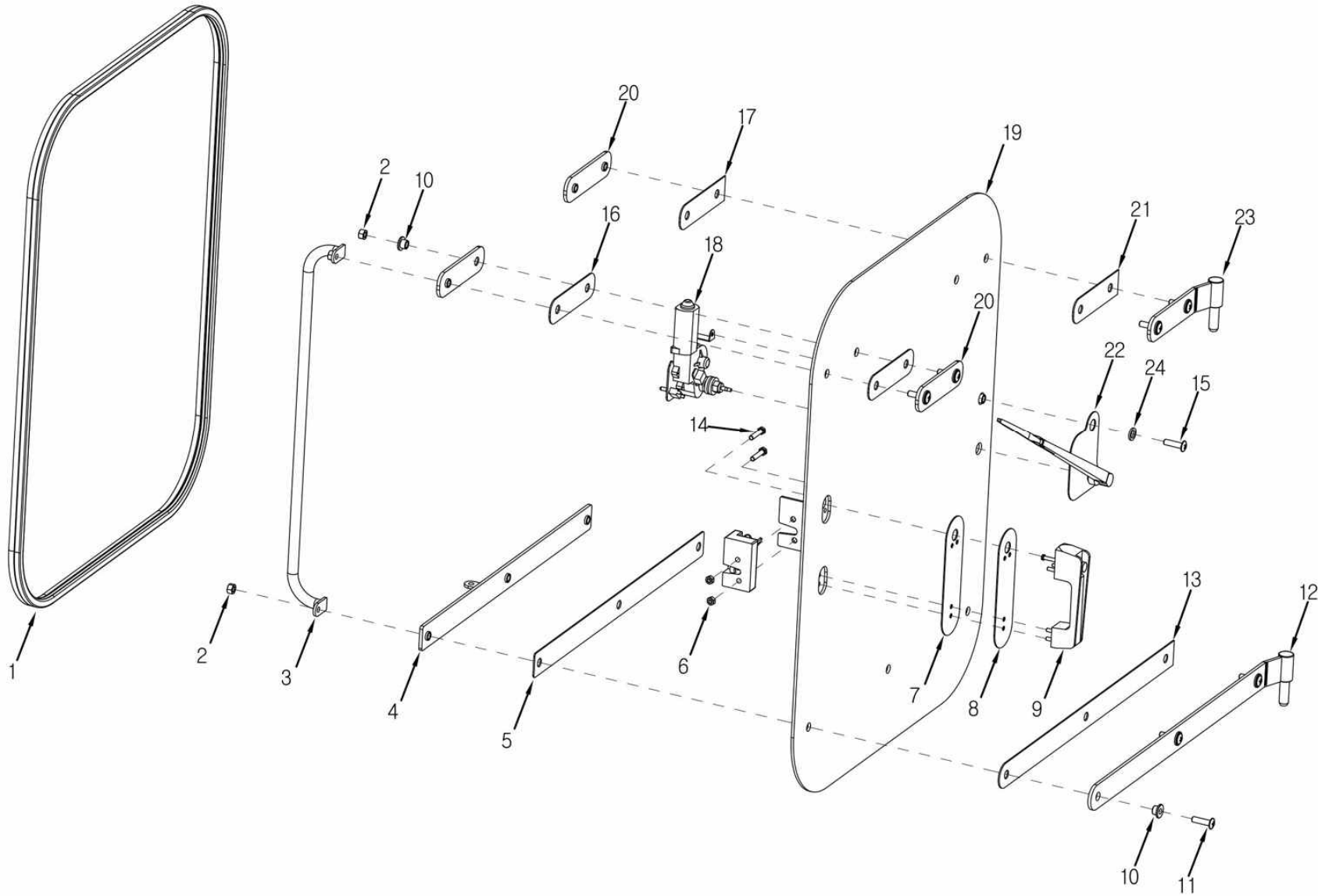
14. Operator cab, Cabin enclosure (안전탑 캐빈형)



detailed view A

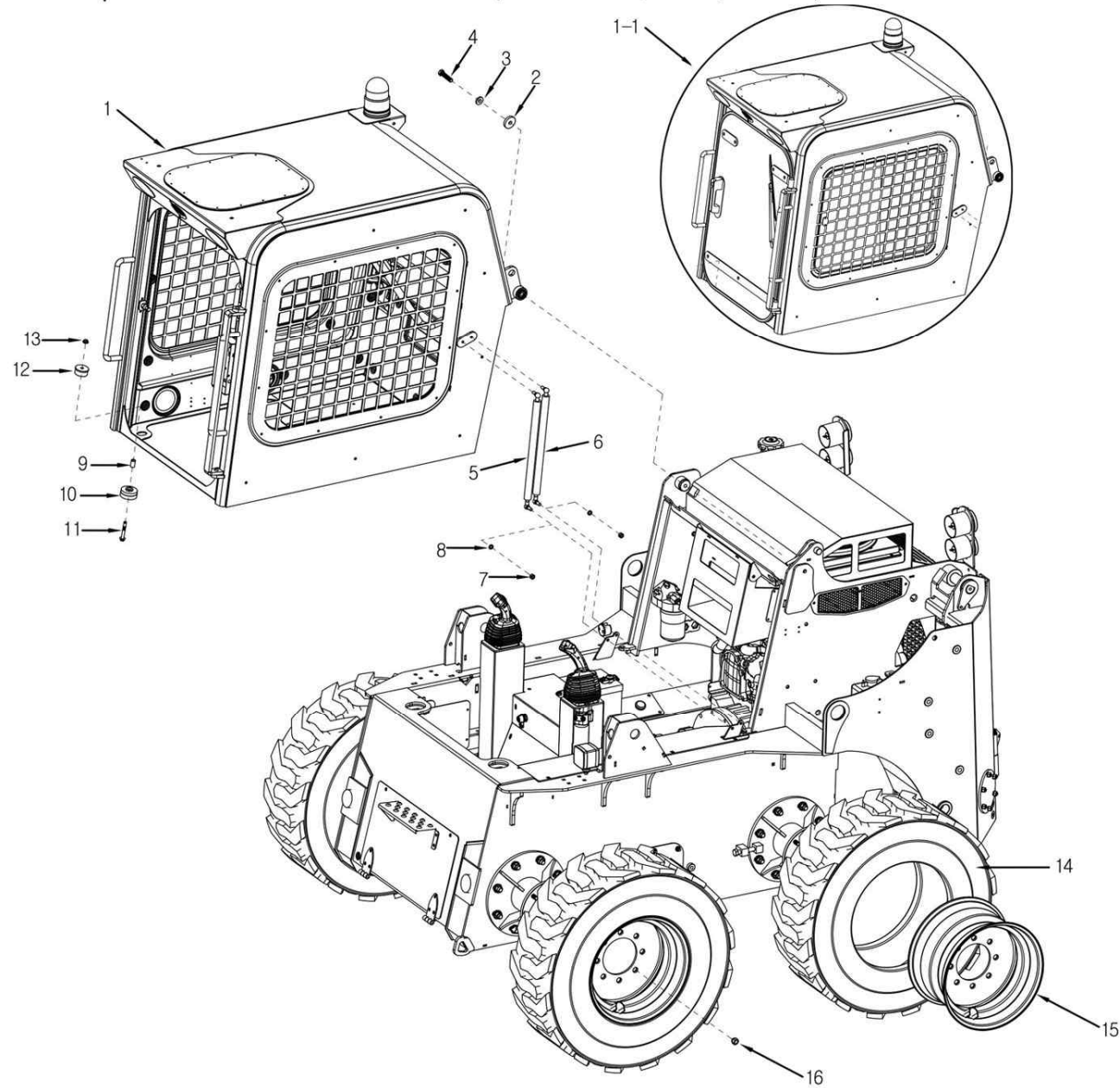
14. Operator cab, Cabin enclosure (안전탑 캐빈형) (Cont'd) (계속)				
No.	Name	Part No.	Quantity	Remarks
51	Bolt (볼트)	330T4-1347-1	2	
52	Spring Washer (스프링 와셔)	330T4-1347-2	2	
53	Fixing bracket I for LCD (LCD 고정 브라켓 I)	330T4-1351	1	
54	Fixing bracket II for LCD (LCD 고정 브라켓 II)	330T4-1351-1	1	
55	Nut (너트)	330T4-1352	1	
56	Rubber gasket (고무 가스켓)	330T4-1353	1	
57	Washer (와셔)	330T4-1354	1	
58	Bolt (볼트)	330T4-1355	1	

15. Front door assy (안전탑 앞문)



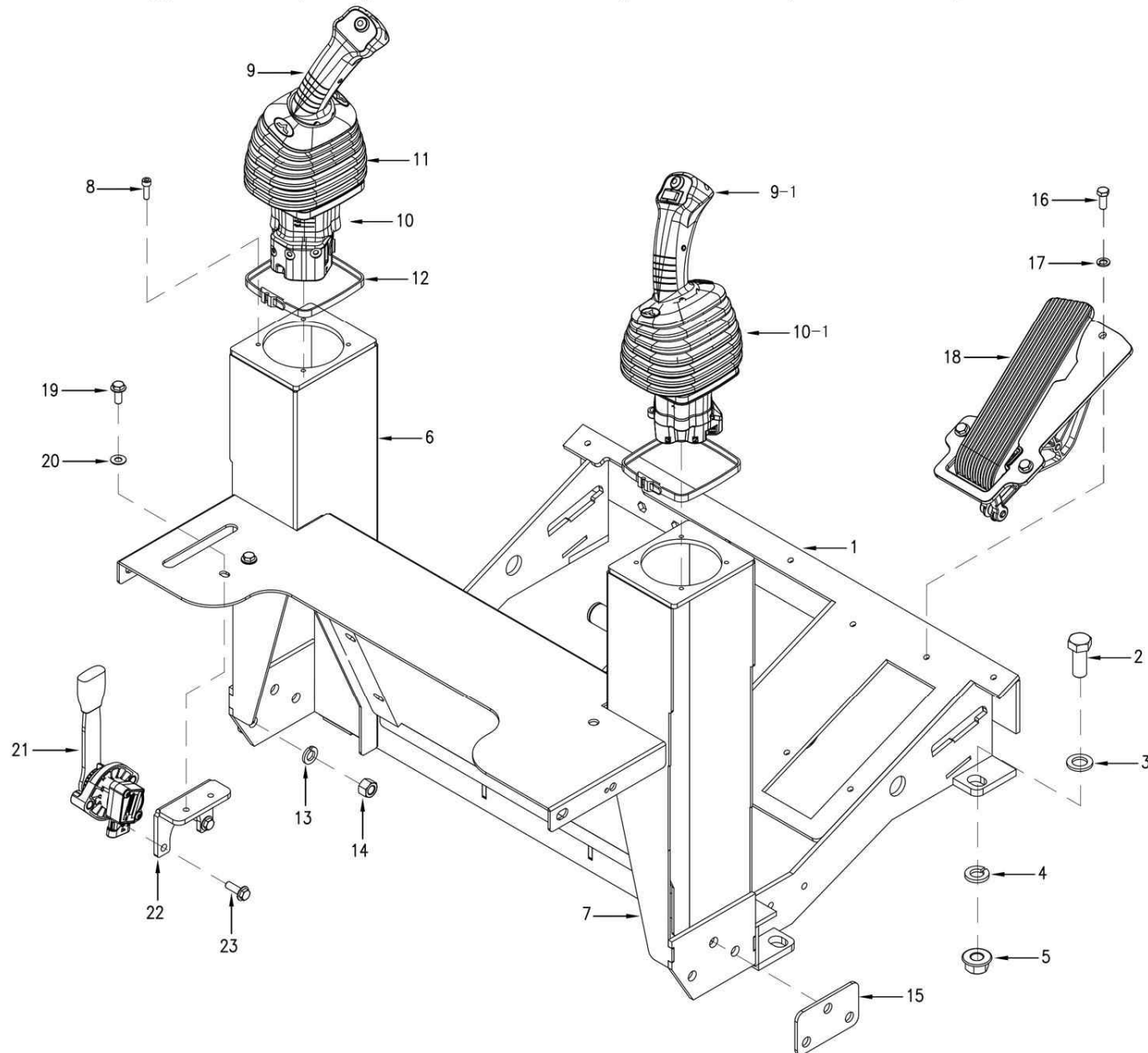
15. Front door assy (안전탑 앞문)				
No.	Name	Part No.	Quantity	Remarks
1	Molding rubber for glass (앞문유리용 몰딩 고무)	330T4-1501	1	
2	Bolt (볼트)	330T4-1502	7	
3	Knob (손잡이)	330T4-1503	1	
4	Lower glass support (바닥 유리 지지대)	330T4-1504	1	
5	Gasket (가스켓)	330T4-1505	1	
6	Nut (너트)	330T4-1506	2	
7	Gasket (가스켓)	330T4-1507	1	
8	Knob assy Support (손잡이 조합 지지대)	330T4-1508	1	
9	Knob assy (손잡이 조합)	330T4-1509	1	
10	MC Bushing (MC 부싱)	330T4-1510	14	
11	Bolt (볼트)	330T4-1511	7	
12	Lower hinge plate (바닥 경첩 판)	330T4-1512	1	
13	Gasket (가스켓)	330T4-1513	1	
14	Bolt (볼트)	330T4-1514	2	
15	Bolt (볼트)	330T4-1515	1	
16	Gasket (가스켓)	330T4-1516	1	
17	Gasket (가스켓)	330T4-1517	1	
18	Windshield wiper motor assy (와이퍼 모터 조합)	330T4-1518	1	
19	Glass (유리)	330T4-1519	1	
20	Upper glass support (위쪽 유리 지지대-정면)	330T4-1520	3	
21	Gasket (가스켓)	330T4-1521	1	
22	Windshield wiper assy (와이퍼 조합)	330T4-1522	1	
23	Upper hinge plate (윗쪽 경첩 판)	330T4-1523	1	
24	Washer (와셔)	330T4-1524	1	

16. Operator cab and tire (안전탑 및 타이어)



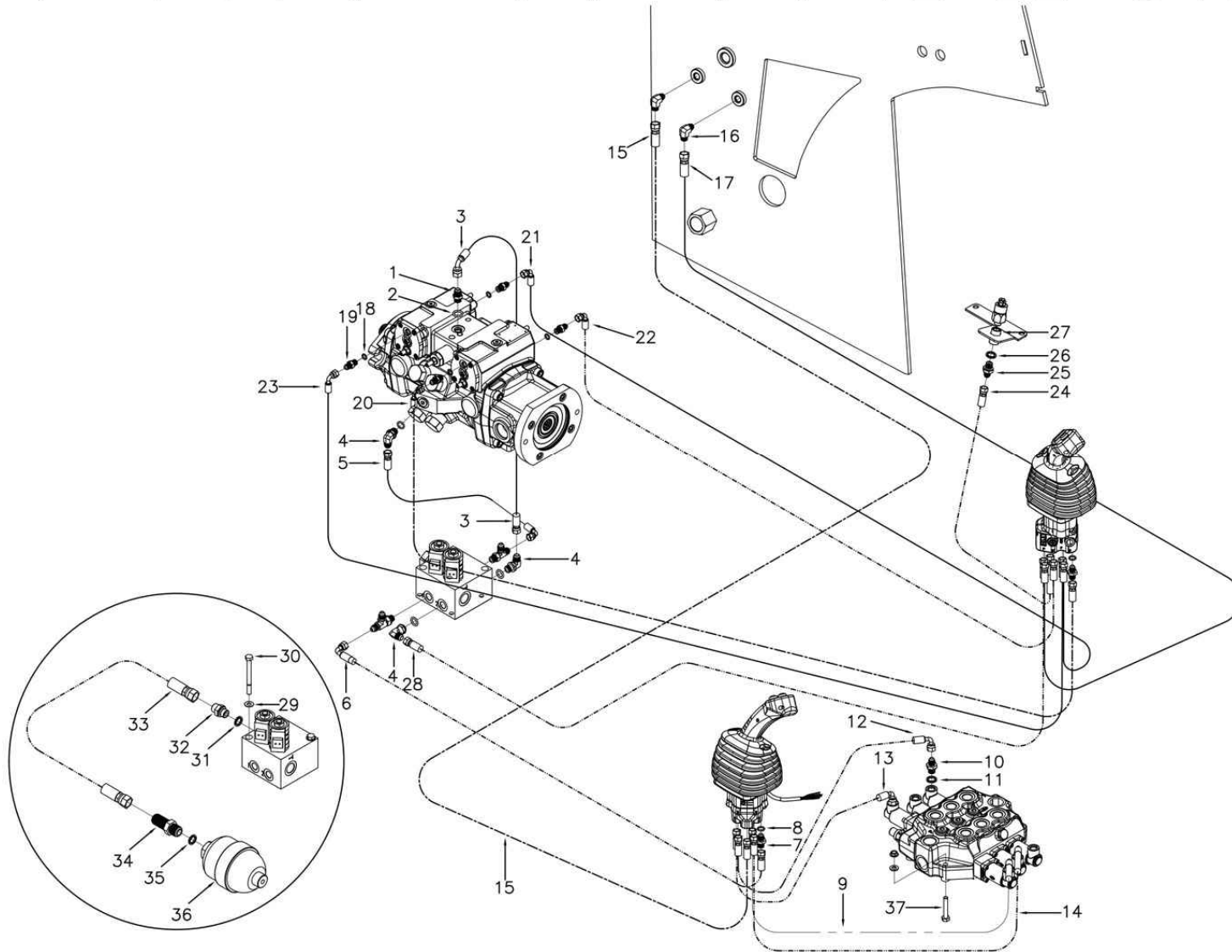
16. Operator cab and tire (안전탑 및 타이어)				
No.	Name	Part No.	Quantity	Remarks
1	Operator cab assy (안전탑 조합), canopy	330T4-1601	1	
1-1	Operator cab assy (안전탑 조합), cabin enclosure	330T4-1601-1	1	
2	Fixing washer for operator cab (안전탑 고정 와셔)	330T4-1602	2	
3	Plain washer (평 와셔)	330T4-1603	2	
4	Bolt (볼트)	330T4-1604	2	
5	Gas-shock absorber (가스 쇼버)	330T4-1605	2	
6	Gas-shock absorber (가스 쇼버)	330T4-1606	2	
7	Spring Washer (스프링 와셔)	330T4-1607	4	
8	Nut (너트)	330T4-1608	4	
9	Spacer (간격통)	330T4-1609	2	
10	Rubber (고무)	330T4-1610	2	
11	Bolt (볼트)	330T4-1611	2	
12	Vibroisolating rubber (방진 고무)	330T4-1612	2	
13	Nut (너트)	330T4-1613	2	
14	Tire (타이어)	330T4-1614	4	
15	Wheel (휠)	330T4-1615	4	
16	Wheel nut (휠 너트)	330T4-1616	32	

17. Steering handle, Joystick controls (조향 장치, 조이스틱)



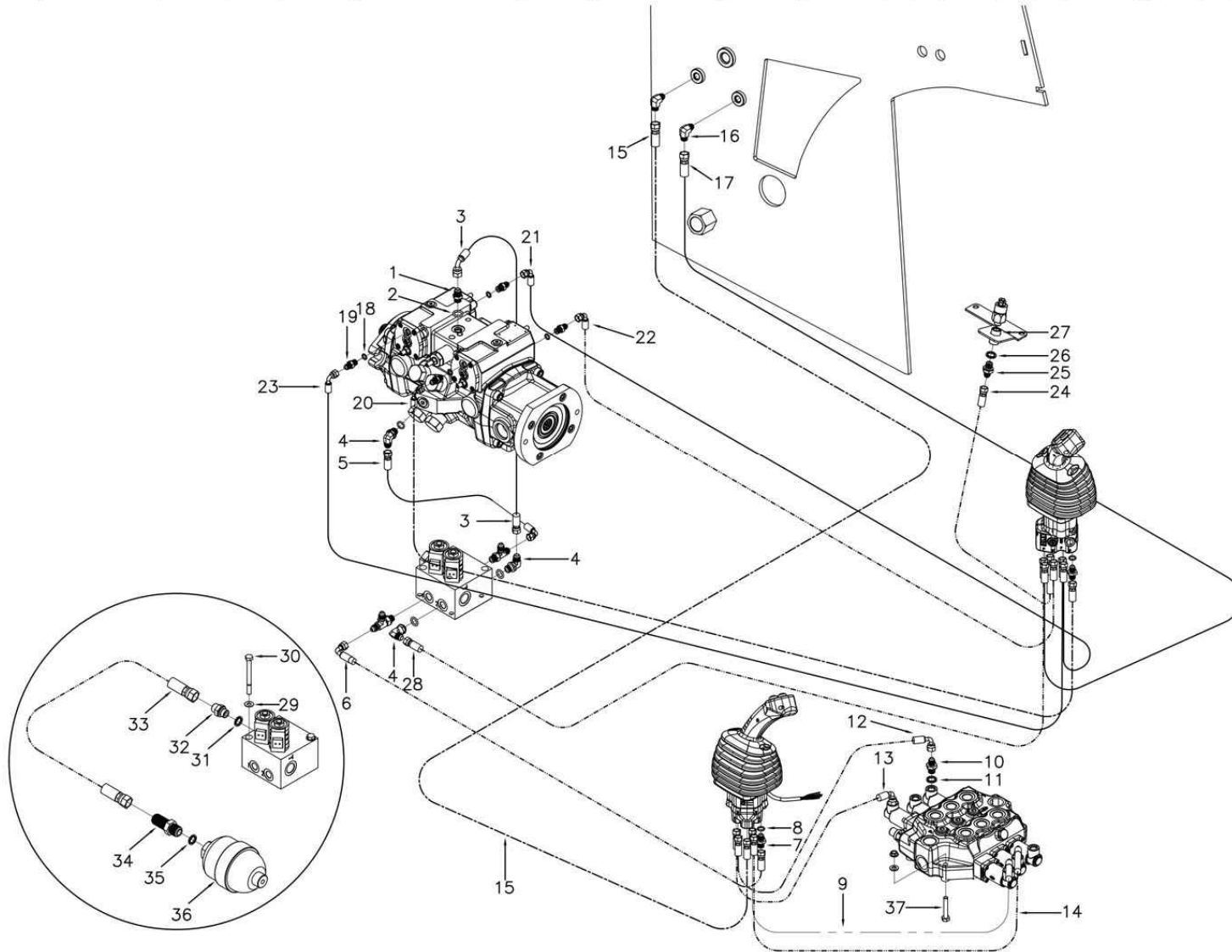
17. Steering handle, Joystick controls (조향 장치, 조이스틱)				
No.	Name	Part No.	Quantity	Remarks
1	Body, Steering lever (조향장치 본체)	330T4-1701	1	
2	Bolt (볼트)	330T4-1702	4	
3	Washer (와셔)	330T4-1703	4	
4	Spring washer (스프링 와셔)	330T4-1704	4	
5	Nut (너트)	330T4-1705	4	
6	Column LH, steering lever (조향장치 좌측 핸들 본체)	330T4-1706	1	
7	Column RH, steering lever (조향장치 우측 핸들 본체)	330T4-1707	1	
8	Bolt (볼트)	330T4-1708	8	
9	Joystick lever LH (조향장치좌측 핸들)	330T4-1709	1	
9-1	Joystick lever RH (조향장치우측 핸들)	330T4-1709-1	1	
10	Block for handle LH (핸들 블록)	330T4-1710	1	
10-1	Block for handle RH (핸들 블록)	330T4-1710-1	1	
11	Protective cover for steering handle (조향핸들용 보호 커버)	330T4-1711	2	
12	Band (밴드)	330T4-1712	2	
13	Washer (와셔)	330T4-1713	6	
14	Nut (너트)	330T4-1714	6	
15	Spacing plate (간격판)	330T4-1715	2	
16	Bolt (볼트)	330T4-1716	3	
17	Spring washer (스프링 와셔)	330T4-1717	3	
18	Accelerator pedal assy (조속페달조합, 풋타입)	330T4-1718	1	
19	Bolt (볼트)	330T4-1719	2	
20	Spring washer (스프링 와셔)	330T4-1720	1	
21	Accelerator assy (조속페달조합, 핸드타입)	330T4-1721	1	
22	Fixed bracket, hand accelerator lever (핸드조속레바 고정브라켓)	330T4-1722	1	
23	Bolt (볼트)		2	

18. Control valve system for Joystick (조이스틱 콘트롤밸브 장치부)



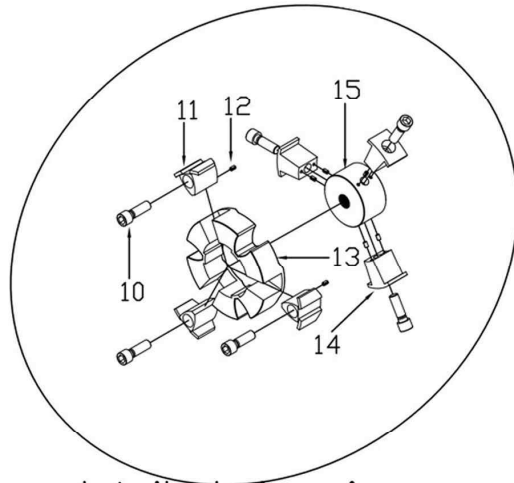
18. Control valve system for Joystick (조이스틱 콘트롤밸브 장치부)				
No.	Name	Part No.	Quantity	Remarks
1	Coupling nipple (연결 니플)	330T4-1801	1	
2	O-ring (오 링)	330T4-1802	2	
3	Hose (coupling nipple*main solenoid valve) (호스(연결니플*메인솔밸브))	330T4-1803	1	
4	Coupling Nipple EL (연결 니플 EL)	330T4-1804	3	
5	Hose (coupling nipple*main solenoid valve) (호스(연결니플*메인솔밸브))	330T4-1805	1	
6	Hose (main solenoid valve (J1) * Joystick (boom*bucket)P) (호스(메인솔밸브(J1)*조이스틱(붐*버킷)P)	330T4-1806	1	
7	Nipple, Joystick (조이스틱 니플)	330T4-1807	13	
8	O-ring (오 링)	330T4-1808	13	
9	Hose (Joystick 1 * Control valve1) (호스(조이스틱 1*컨트롤밸브 1))	330T4-1809	1	
10	Nipple, Control valve (니플 컨트롤 밸브)	330T4-1810	4	
11	Bonded seal (본디드셀)	330T4-1811	4	
12	Hose (Control valve for bucket * joystick2) (호스 (컨트롤 밸브 버킷*조이스틱 2))	330T4-1812	1	
13	Hose (Control valve for bucket * joystick3) (호스 (컨트롤 밸브 버킷*조이스틱 2))	330T4-1813	1	
14	Hose (Control valve for bucket * joystick4) (호스 (컨트롤 밸브 버킷*조이스틱 2))	330T4-1814	1	
15	Hose (Control valve (Boom for bucket (T) *tank (input3)) (호스 (컨트롤 밸브(붐,버킷(T))*탱크 (입-3))	330T4-1815	1	
16	Nipple EL (니플 EL)	330T4-1816	2	
17	Hose (joystick valve for tavel (T) * tank (in put3) (호스 (조이스틱 밸브(주행(T))*탱크 (입-3))	330T4-1817	1	
18	O-ring (오 링)	330T4-1818	4	
19	Nipple, Pump (펌프 니플(C,D,E,F)	330T4-1819	4	
20	Hose (pump C*joystick valve for tavel (C)) (호스((펌프 C*조이스틱 밸브(주행 C))	330T4-1820	1	
21	Hose (pump D*joystick valve for tavel (D)) (호스((펌프 D*조이스틱 밸브(주행 D))	330T4-1821	1	
22	Hose (pump E*joystick valve for tavel (E)) (호스((펌프 E*조이스틱 밸브(주행 E))	330T4-1822	1	

18. Control valve system for Joystick (조이스틱 콘트롤밸브 장치부)

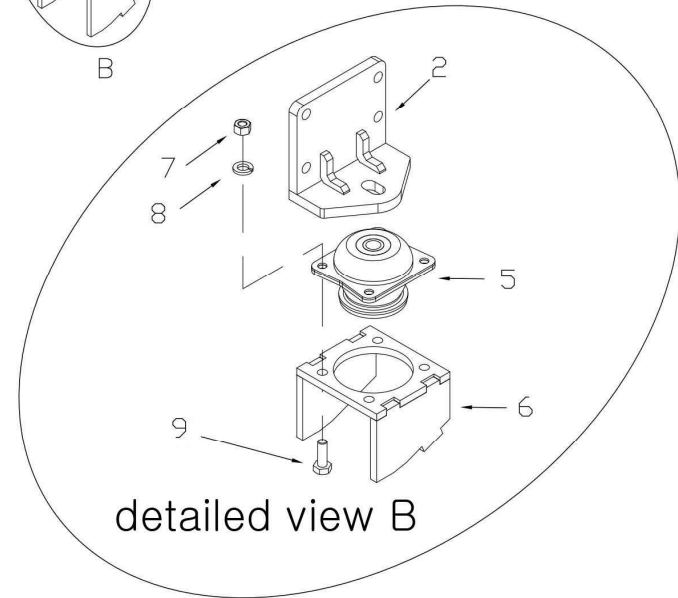
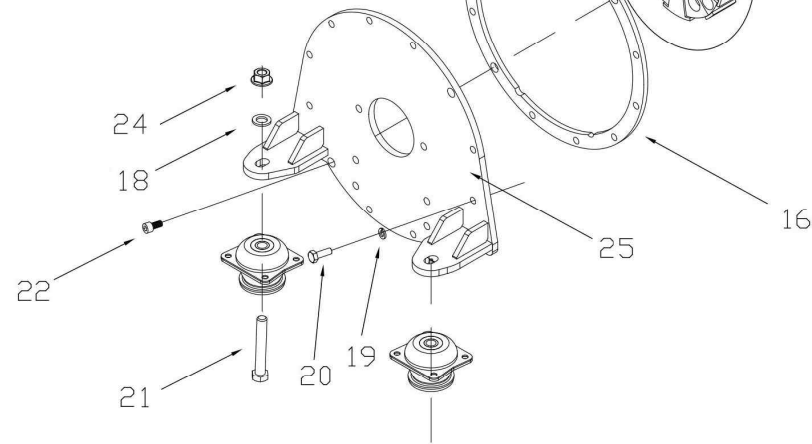
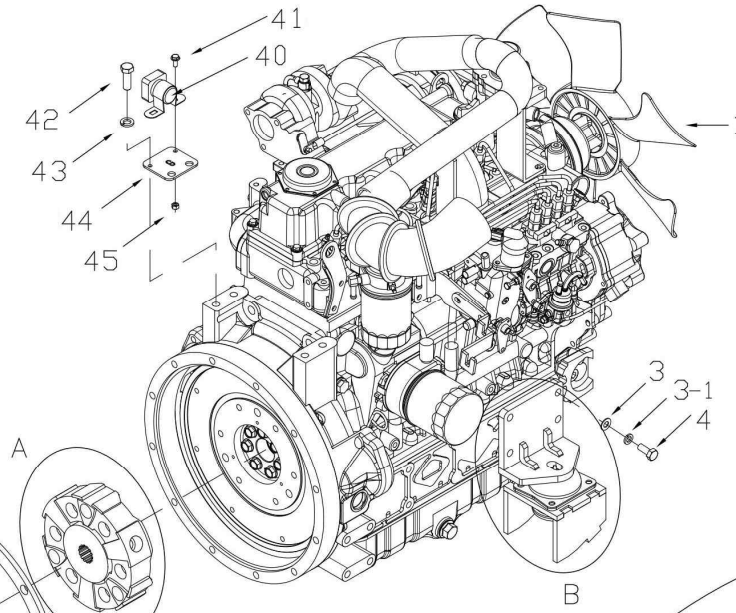


18. Control valve system for Joystick (조이스틱 콘트롤밸브 장치부) (Cont'd) (계속)				
No.	Name	Part No.	Quantity	Remarks
23	Hose (pump F*joystick valve for tavel (F)) (호스((펌프 F*조이스틱 밸브(주행 F)))	330T4-1823	1	
24	Hose (joystick valve for tavel (5)*pressure switch) (호스(조이스틱 밸브(주행 5)*압력스위치))	330T4-1824	1	
25	Nipple,Fixed plate for pressure switch (니플,압력스위치 고정판)	330T4-1825	1	
26	Bonded seal (본디드셀)	330T4-1826	1	
27	Fixed plate for pressure switch (압력스위치 고정판)	330T4-1827	1	
28	Hose (main solenoid valve (J2)*joystick valve for tavel (P)) (호스(메인솔밸브(J2)*조이스틱 밸브(주행 P)))	330T4-1828	1	
29	Washer (와셔)	330T4-1829	2	
30	Bolt (볼트)	330T4-1830	2	
31	Bonded seal (본디드셀)	330T4-1831	1	
32	Nipple (니플)	330T4-1832	1	
33	Hose (main solenoid valve*accumulator) (호스 (메인솔밸브*어큐레이터))	330T4-1833	1	
34	Coupling nipple (연결니플)	330T4-1834	1	
35	Bonded seal (본디드셀)	330T4-1835	1	
36	Accumulator (어큐물레이터)	330T4-1836	1	
37	Bolt (볼트)	330T4-1837	3	

19. Engine (엔진) Kubota



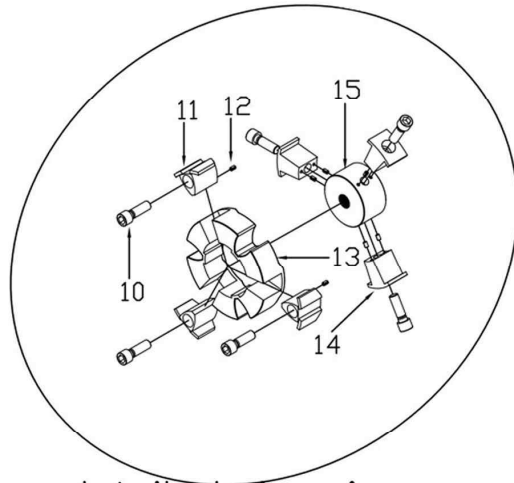
detailed view A



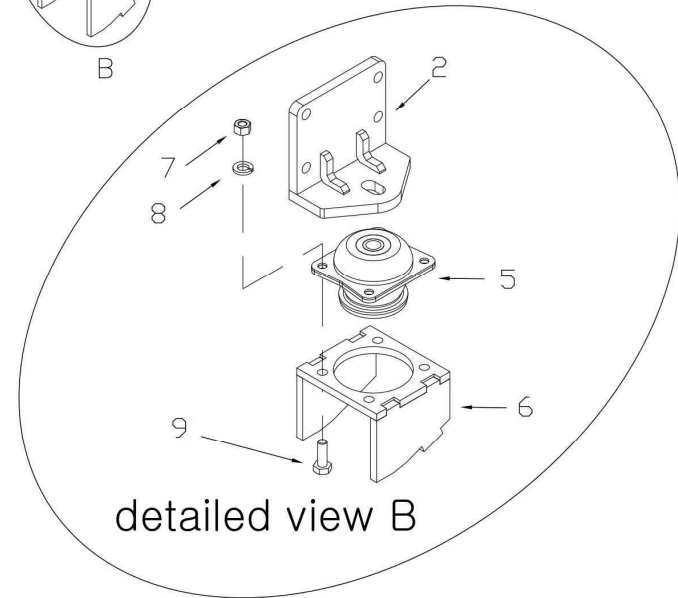
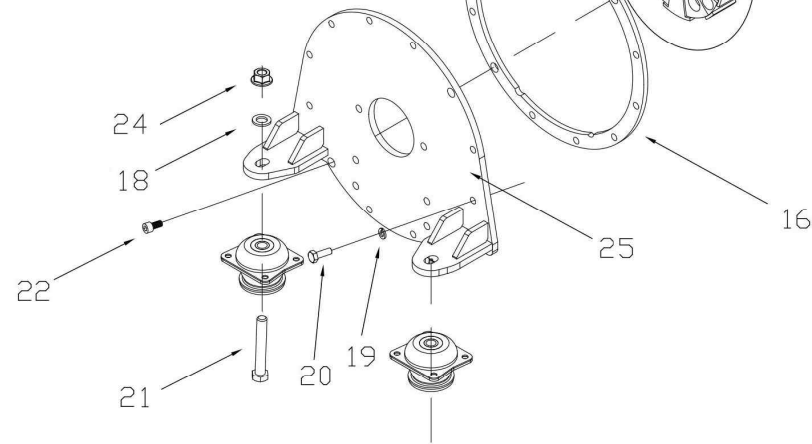
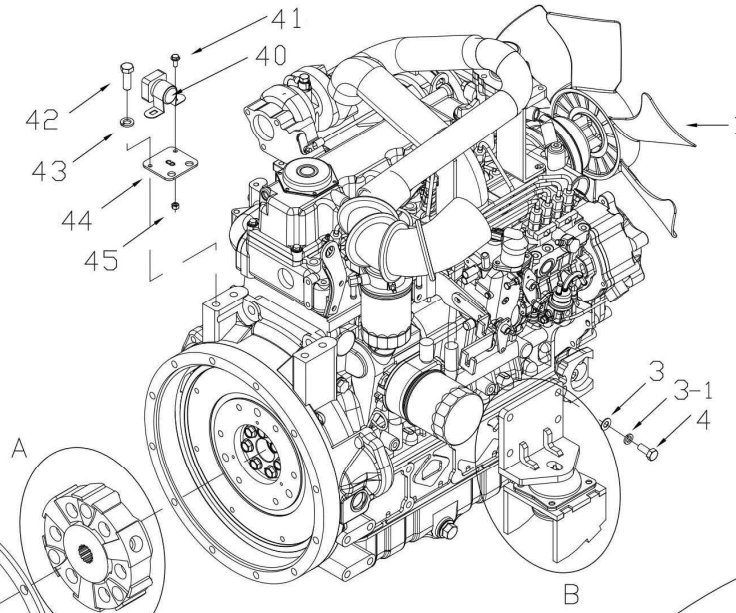
detailed view B

19. Engine (엔진) Kubota				
No.	Name	Part No.	Quantity	Remarks
1	Fan (팬)	330T4-1901K	1	
2	Fixed plate for engine (엔진 고정판)	330T4-1902K	2	
3	Spring washer (스프링 와셔)	330T4-1903	8	
3-1	Washer (와셔)	330T4-1903-1	8	
4	Bolt (볼트)	330T4-1904	8	
5	Vibroisolating rubber (방진 고무)	330T4-1905	4	
6	Fixed plate for mounting rubber (고무 고정판)	330T4-1906	2	
7	Nut (너트)	330T4-1907	16	
8	Spring washer (스프링 와셔)	330T4-1908	16	
9	Bolt (볼트)	330T4-1909	16	
A	Coupling rubber (연결 고무)	330T4-1910A	1	
10	Wrench bolt (렌치 볼트)	330T4-1910-1	6	
11	Insert (인서트)	330T4-1910-2	3	
12	Pin spring (스프링 핀)	330T4-1910-3	9	
13	Element (엘레먼트)	330T4-1910-4	1	
14	Insert (인서트)	330T4-1910-5	3	
15	Hub (허브)	330T4-1910-6	1	
16	Flywheel for spacing plate (플라이휠 간격판)	330T4-1916K	1	
18	Washer (와셔)	330T4-1918	4	
19	Spring washer (스프링 와셔)	330T4-1919	16	
20	Bolt (볼트)	330T4-1920	16	
21	Bolt (볼트)	330T4-1921	4	
22	Wrench bolt (렌치 볼트)	330T4-1922	2	

19. Engine (엔진) Kubota



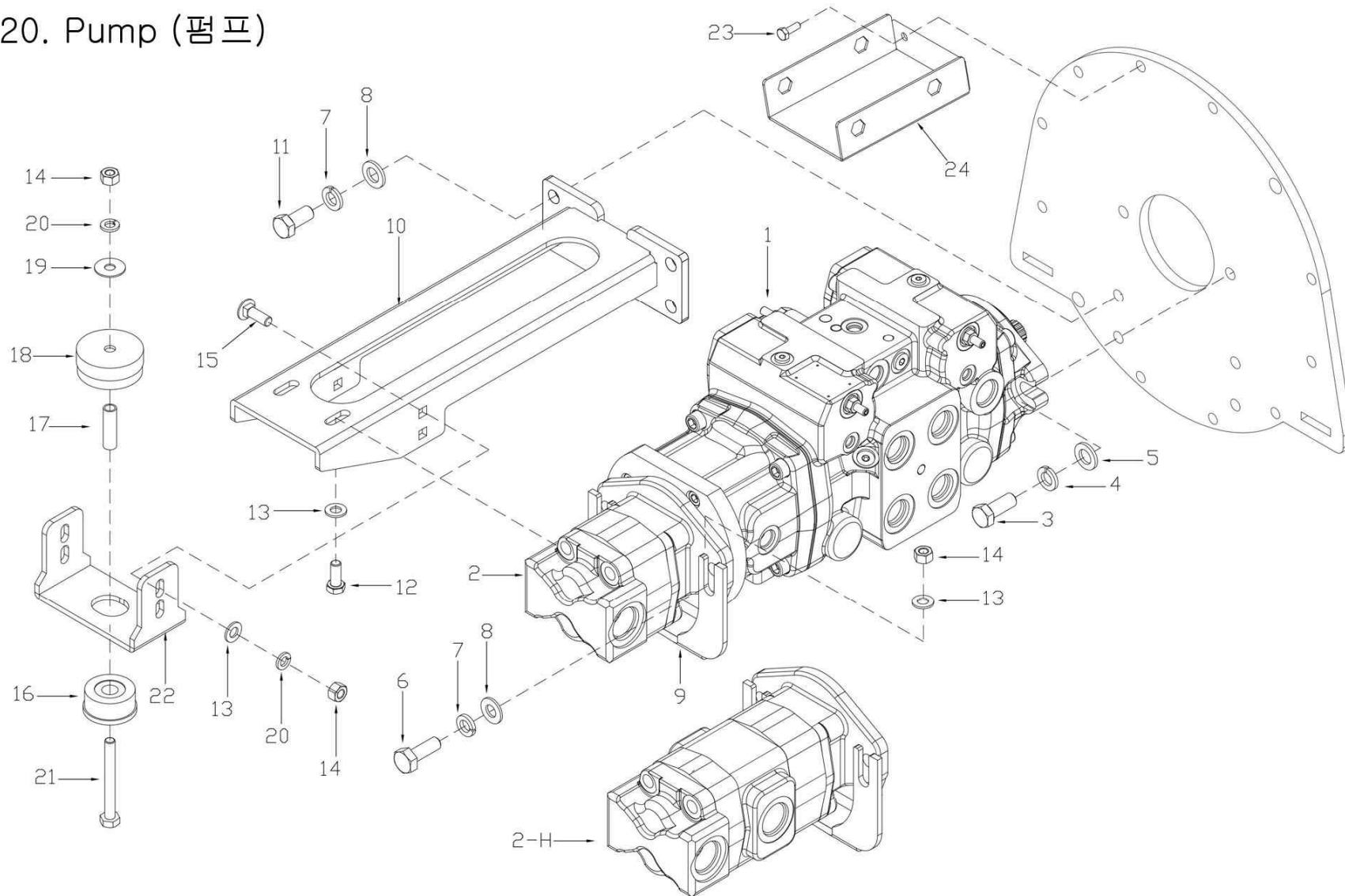
detailed view A



detailed view B

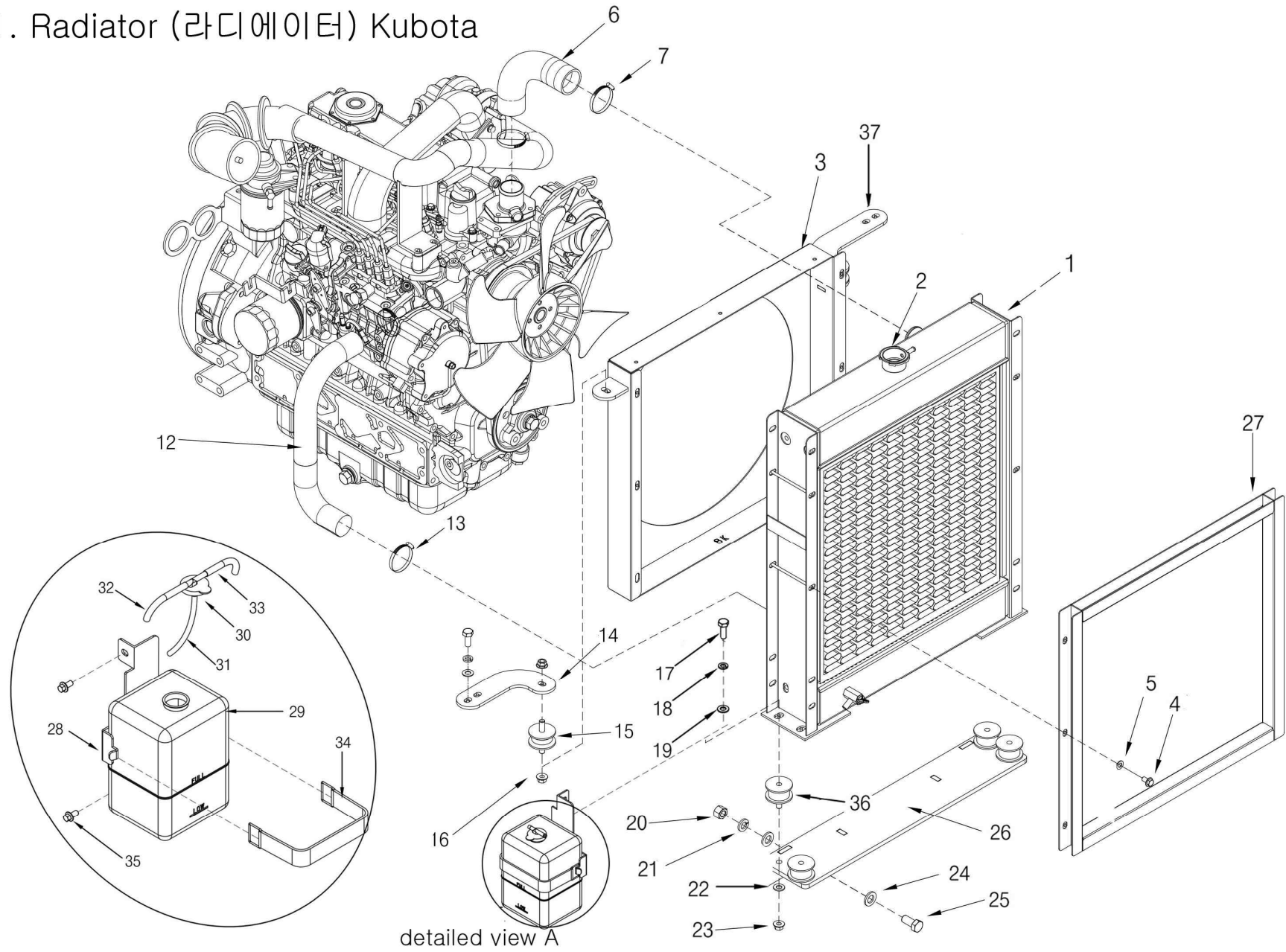
19. Engine (엔진) Kubota (Cont'd) (계속)				
No.	Name	Part No.	Quantity	Remarks
24	Nut (너트)	330T4-1924	4	
25	Fixed plate for pump (펌프 고정판)	330T4-1925K	1	
40	Relay (릴레이)	330T4-1940K	4	
41	Bolt (볼트)	330T4-1941K	4	
42	Bolt (볼트)	330T4-1942K	4	
43	Washer (와셔)	330T4-1943K	4	
44	Fixed bracket (고정브라켓)	330T4-1944K	4	
45	Nut (너트)	330T4-1945K	4	

20. Pump (펌프)



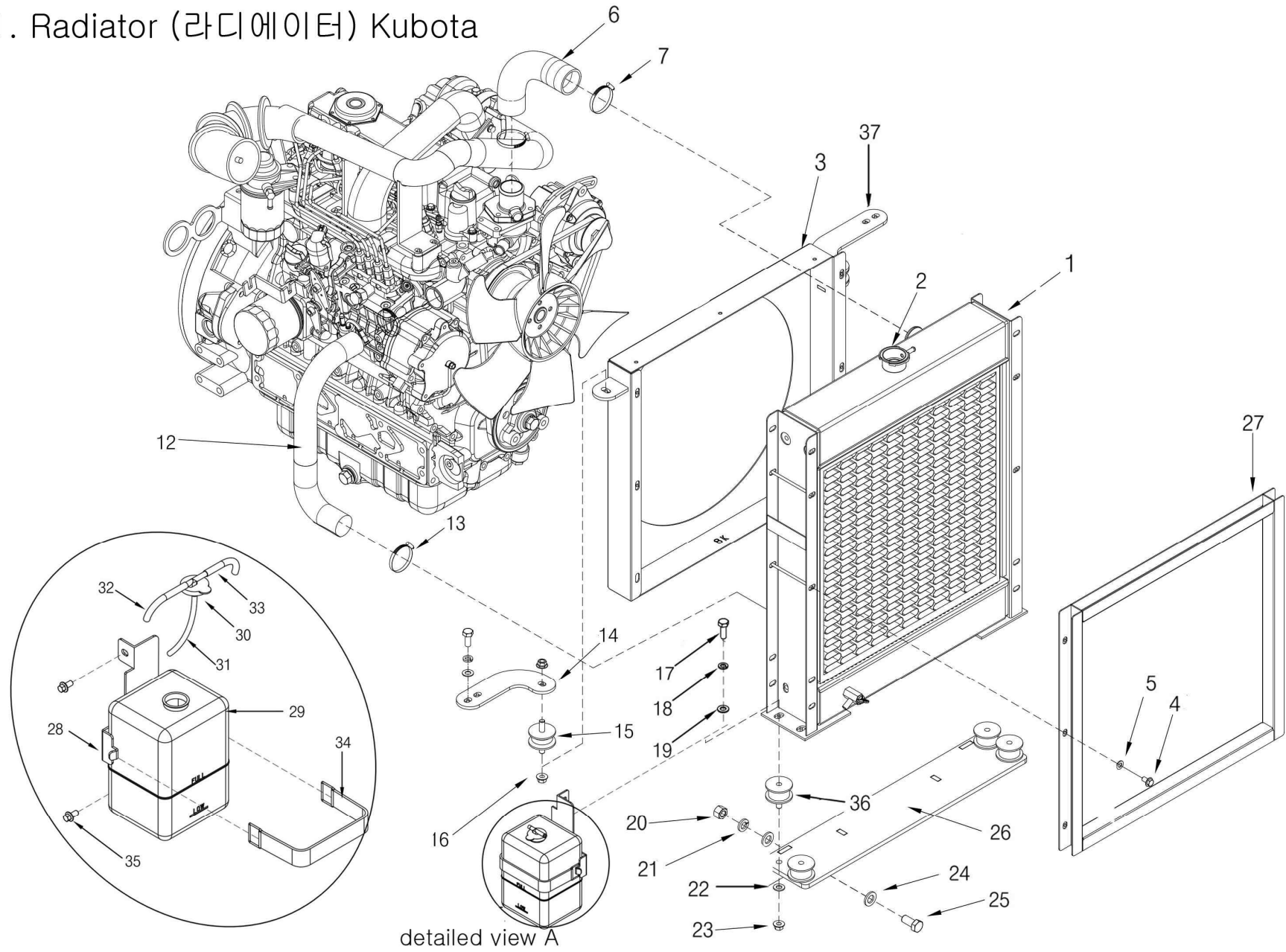
20. Pump (펌프)				
No.	Name	Part No.	Quantity	Remarks
1	Pump (펌프)	330T4-2001	1	
2	Aux. pump (기어 펌프)	330T4-2002	1	
2-H	Aux. pump for Hi-Flow / Option (기어 펌프-하이플로우)-옵션	330T4-2002-1	1	
3	Bolt (볼트)	330T4-2003	2	
4	Spring washer (스프링 와셔)	330T4-2004	2	
5	Washer (와셔)	330T4-2005	2	
6	Bolt (볼트)	330T4-2006	2	
7	Spring washer (스프링 와셔)	330T4-2007	5	
8	Washer (와셔)	330T4-2008	5	
9	Coupling plate (연결판)	330T4-2009	1	
10	Fixed plate for pump (펌프 고정판)	330T4-2010	1	
11	Bolt (볼트)	330T4-2011	4	
12	Bolt (볼트)	330T4-2012	2	
13	Washer (와셔)	330T4-2013	8	
14	Nut (너트)	330T4-2014	6	
15	Bolt (볼트)	330T4-2015	4	
16	Rubber support (고무 받침)	330T4-2016	1	
17	Spacer (간격통)	330T4-2017	1	
18	Vibroisolating rubber (방진 고무)	330T4-2018	1	
19	Washer (와셔)	330T4-2019	1	
20	Spring washer (스프링 와셔)	330T4-2020	1	
21	Bolt (볼트)	330T4-2021	1	
22	Supporting bracket for pump (펌프 받침 브라켓)	330T4-2022	1	
23	Bolt (볼트)	330T4-2023	2	
24	Bracket for pressure gauge (압력 게이지 브라켓)	330T4-2024	1	

21. Radiator (라디에이터) Kubota



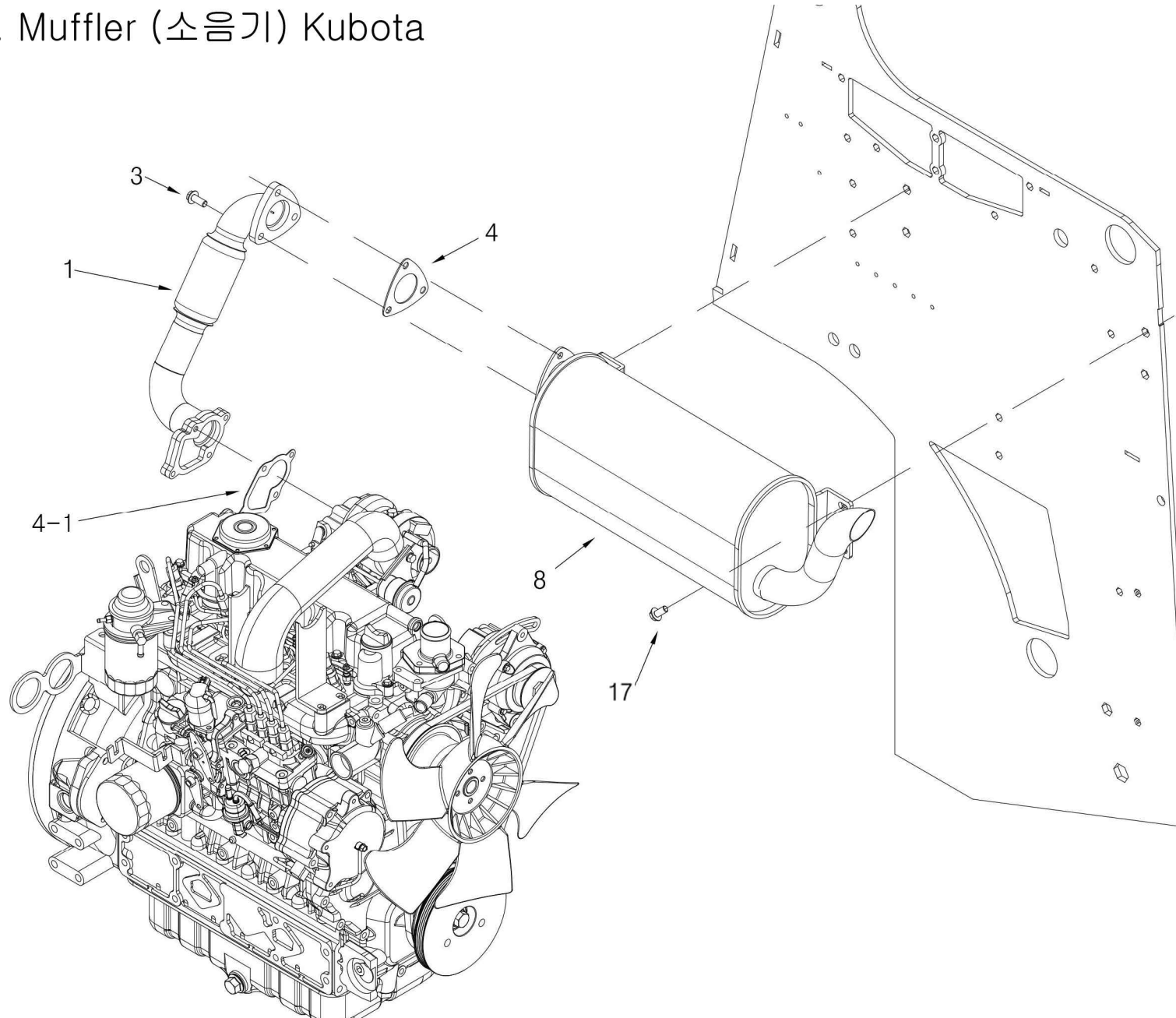
21. Radiator (라디에이터) Kubota				
No.	Name	Part No.	Quantity	Remarks
1	Radiator (라디에이터)	330T4-2101K	1	
2	Radiator cap (라디에이터 캡)	330T4-2102	1	
3	Fan cover (팬 커버)	330T4-2103K	1	
4	Bolt (볼트)	330T4-2104	14	
5	Washer (와셔)	330T4-2105	14	
6	Upper radiator hose (상단 라디에이터 호스)	330T4-2106K	1	
7	Hose band (호스 밴드)	330T4-2107	2	
12	Right lower radiator hose (우측 하단 라디에이터 호스)	330T4-2112K	1	
13	Hose band (호스 밴드)	330T4-2113	2	
14	A Fixing bracket (고정 브라켓) (LH)	330T4-2114K	1	
15	Vibroisolating rubber (방진 고무)	330T4-2115	2	
16	Nut (너트)	330T4-2116	4	
17	Bolt (볼트)	330T4-2117	4	
18	Spring washer (스프링 와셔)	330T4-2118	4	
19	Washer (와셔)	330T4-2119	4	
20	Nut (너트)	330T4-2120	2	
21	Spring washer (스프링 와셔)	330T4-2121	2	
22	Spring washer (스프링 와셔)	330T4-2122	4	
23	Nut (너트)	330T4-2123	4	
24	Washer (와셔)	330T4-2124	2	
25	Bolt (볼트)	330T4-2125	2	
26	A fixed plate (고정판)	330T4-2126	1	
27	Cooler guide (쿨러 가이드)	330T4-2127	1	
A	Aux. water tank assy (보조 물 탱크 조합)	330T4-2128A	1	
28	Fixed plate for aux. water tank (보조 물 탱크용 고정판)	330T4-2128-1	1	

21. Radiator (라디에이터) Kubota



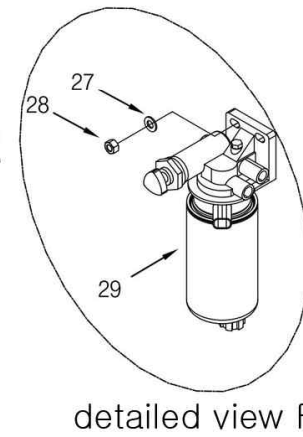
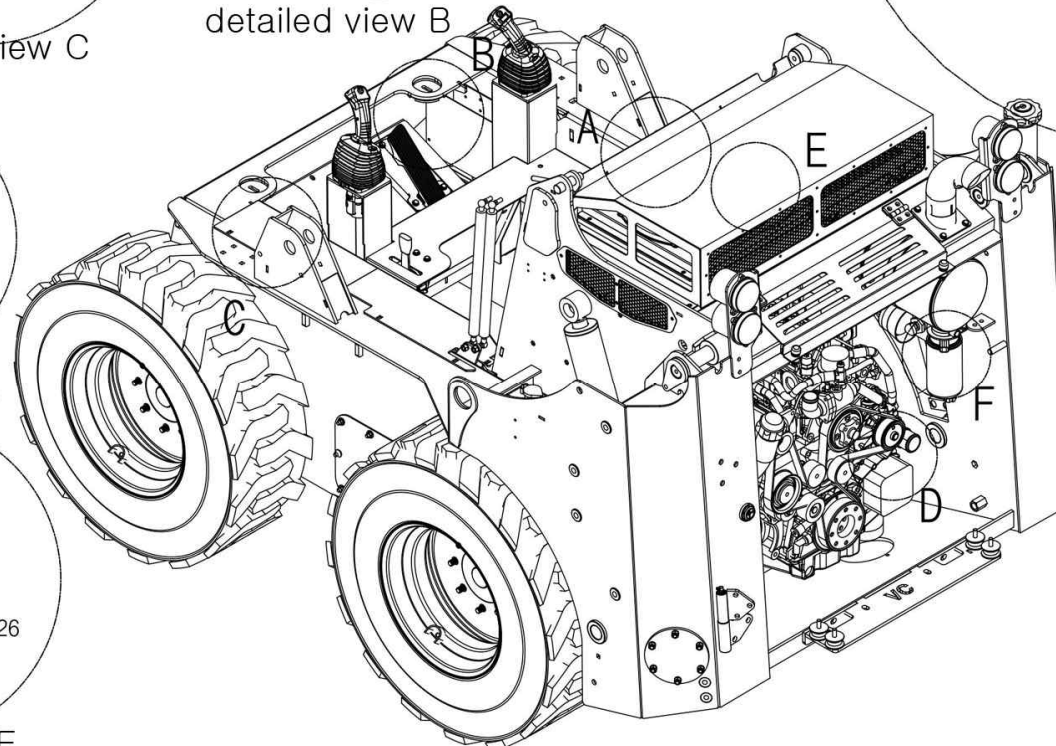
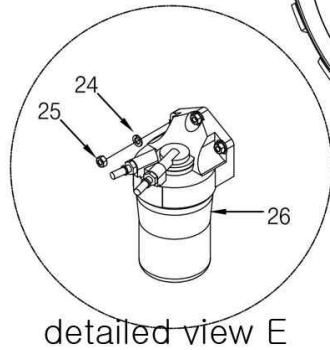
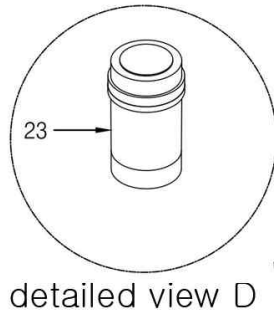
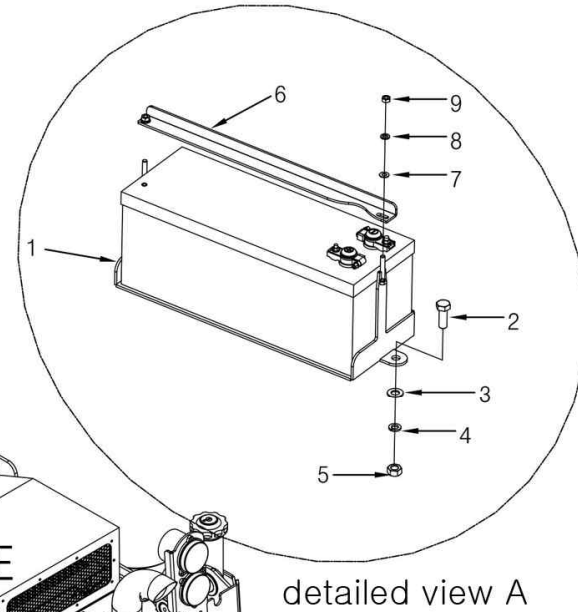
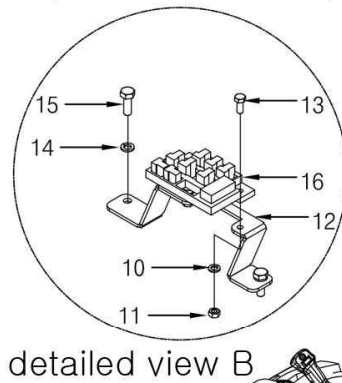
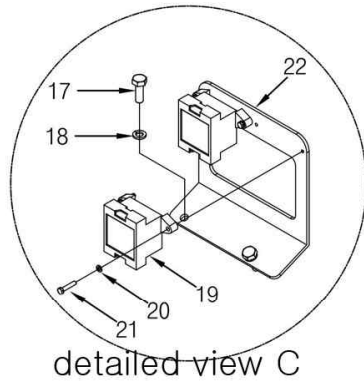
21. Radiator (라디에이터) Kubota (Cont'd) (계속)				
No.	Name	Part No.	Quantity	Remarks
29	Aux. water tank (보조 물 탱크)	330T4-2128-2	1	
30	Water tank cap (보조 물 탱크 캡)	330T4-2128-3	1	
31	Water tank hose (보조 물 탱크 호스)	330T4-2128-4	1	
32	Coupling hose (연결 호스)	330T4-2128-5	1	
33	Drain hose (퇴유 호스)	330T4-2128-6	1	
34	A fixed band (고정밴드)	330T4-2134	1	
35	Bolt (볼트)	330T4-2135	2	
36	Vibroisolating rubber (방진 고무)	330T4-2136	4	
37	A Fixing bracket (고정 브라켓) (RH)	330T4-2137K	1	

22. Muffler (소음기) Kubota



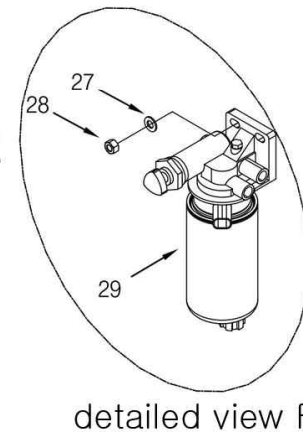
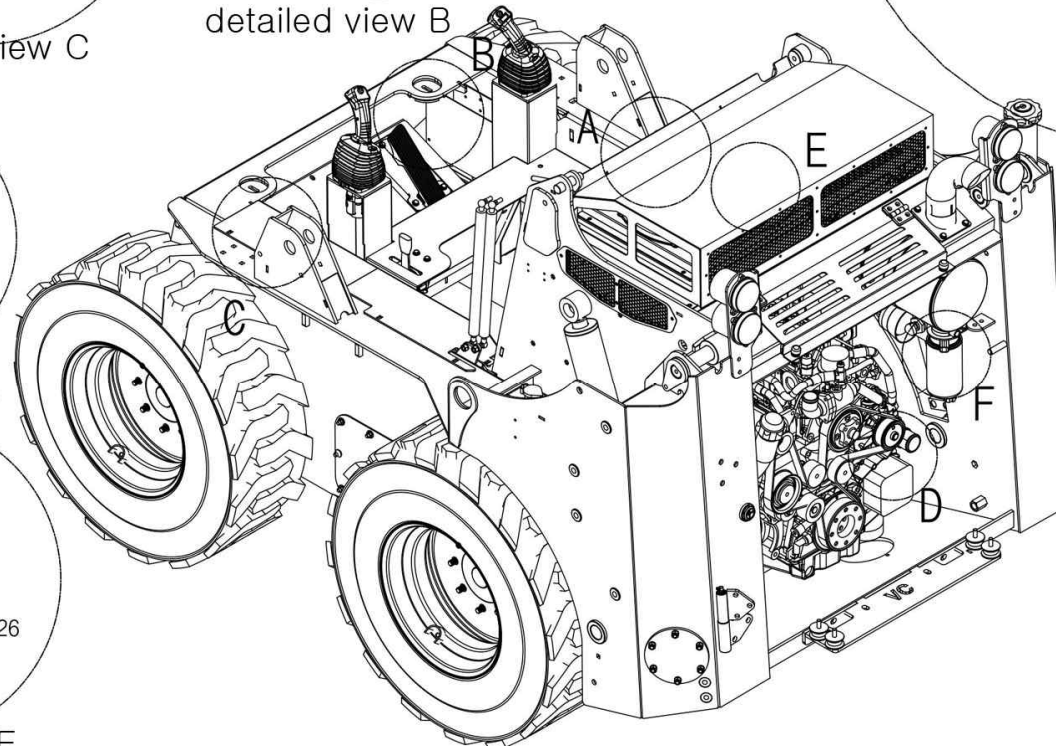
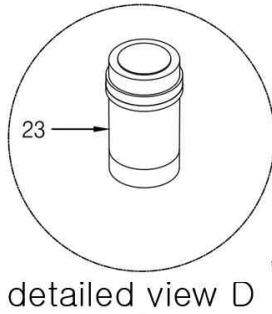
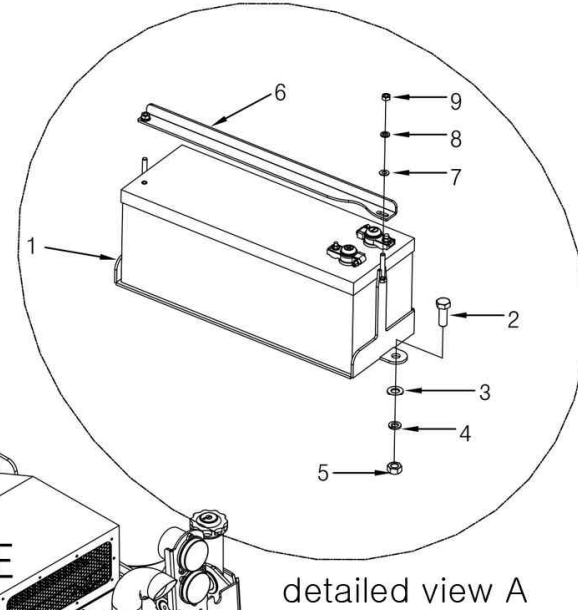
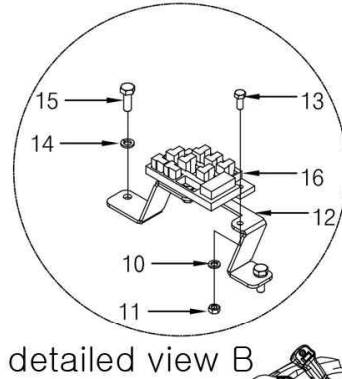
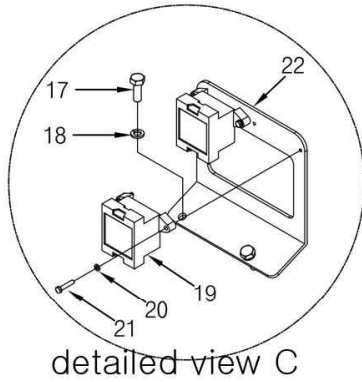
22. Muffler (소음기) Kubota				
No.	Name	Part No.	Quantity	Remarks
1	Coupling tube (연결관)	330T4-2201K	1	
3	Carriage bolt (근각 볼트)	330T4-2203	4	
4	Gasket (가스켓)	330T4-2204K	1	
4-1	Gasket (가스켓)	330T4-2204K-1	1	
8	Muffler (소음기)	330T4-2208K	1	
17	Bolt (볼트)	330T4-2217	4	

23. Parts related to engine (엔진관련 부품)



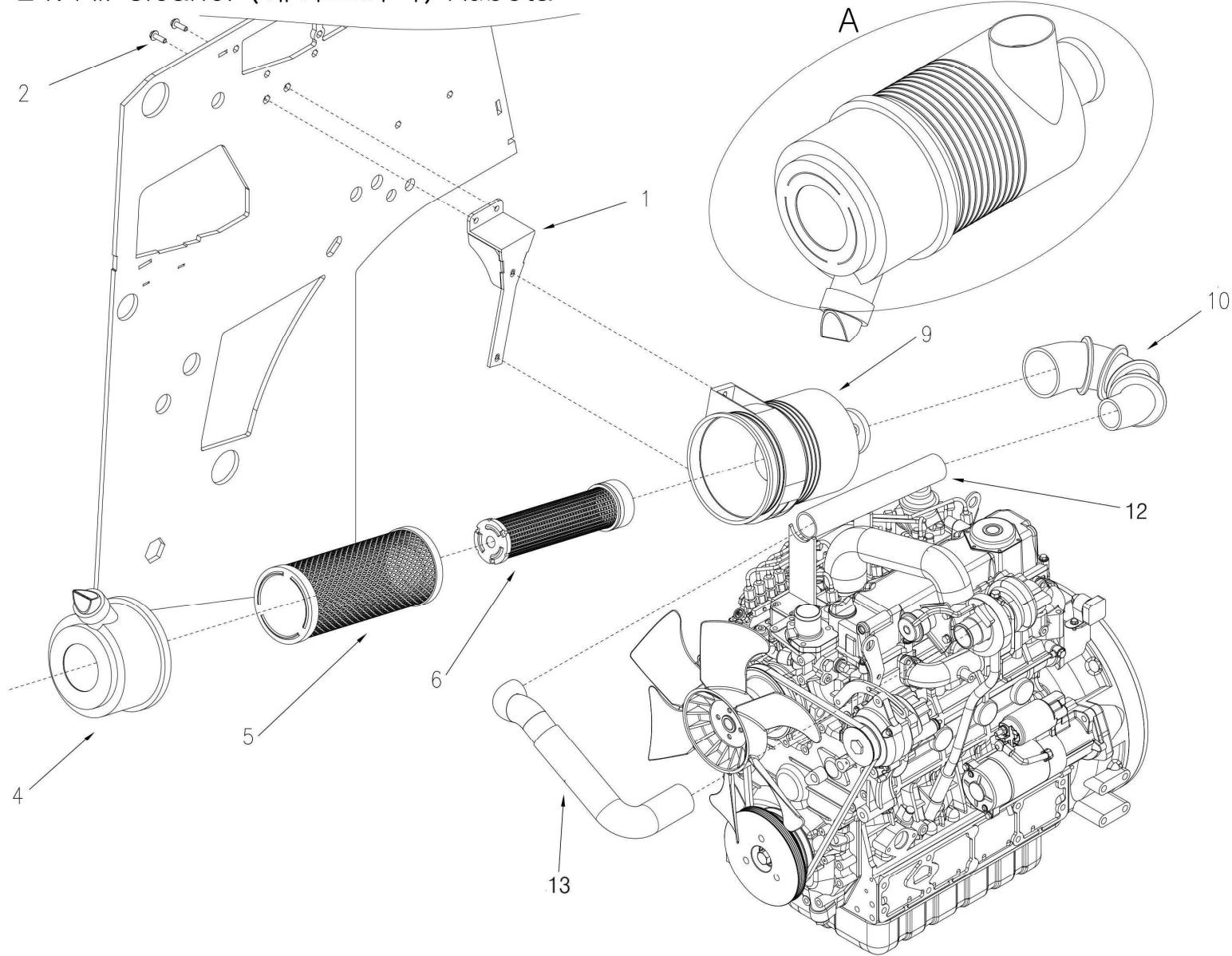
23. Parts related to engine (엔진관련 부품)				
No.	Name	Part No.	Quantity	Remarks
1	Battery case (배터리 케이스)	330T4-2301	1	
2	Bolt (볼트)	330T4-2302	2	
3	Washer (와셔)	330T4-2303	2	
4	Spring washer (스프링 와셔)	330T4-2304	2	
5	Nut (너트)	330T4-2305	2	
6	Fixed plate (고정판)	330T4-2306	1	
7	Washer (와셔)	330T4-2307	2	
8	Nut (너트)	330T4-2308	2	
9	Spring washer (스프링 와셔)	330T4-2309	2	
10	Spring washer (스프링 와셔)	330T4-2310	2	
11	Nut (너트)	330T4-2311	2	
12	Fixed bracket for relay box (릴레이박스 고정 브라켓)	330T4-2312	1	
13	Bolt (볼트)	330T4-2313	2	
14	Spring washer (스프링 와셔)	330T4-2314	2	
15	Bolt (볼트)	330T4-2315	2	
16	Relay box (릴레이박스)	330T4-2316	1	
17	Bolt (볼트)	330T4-2317	2	
18	Spring washer (스프링 와셔)	330T4-2318	2	
19	Fuse Box (퓨즈박스)	330T4-2319	2	
20	Spring washer (스프링 와셔)	330T4-2320	4	
21	Bolt (볼트)	330T4-2321	4	
22	Fixing bracket for fuse box (퓨즈박스 고정 브라켓)	330T4-2322	1	
23	Oil filter (오일필터)	330T4-2323	1	
24	Spring washer (스프링 와셔)	330T4-2324	3	
25	Bolt (볼트)	330T4-2325	3	

23. Parts related to engine (엔진관련 부품)



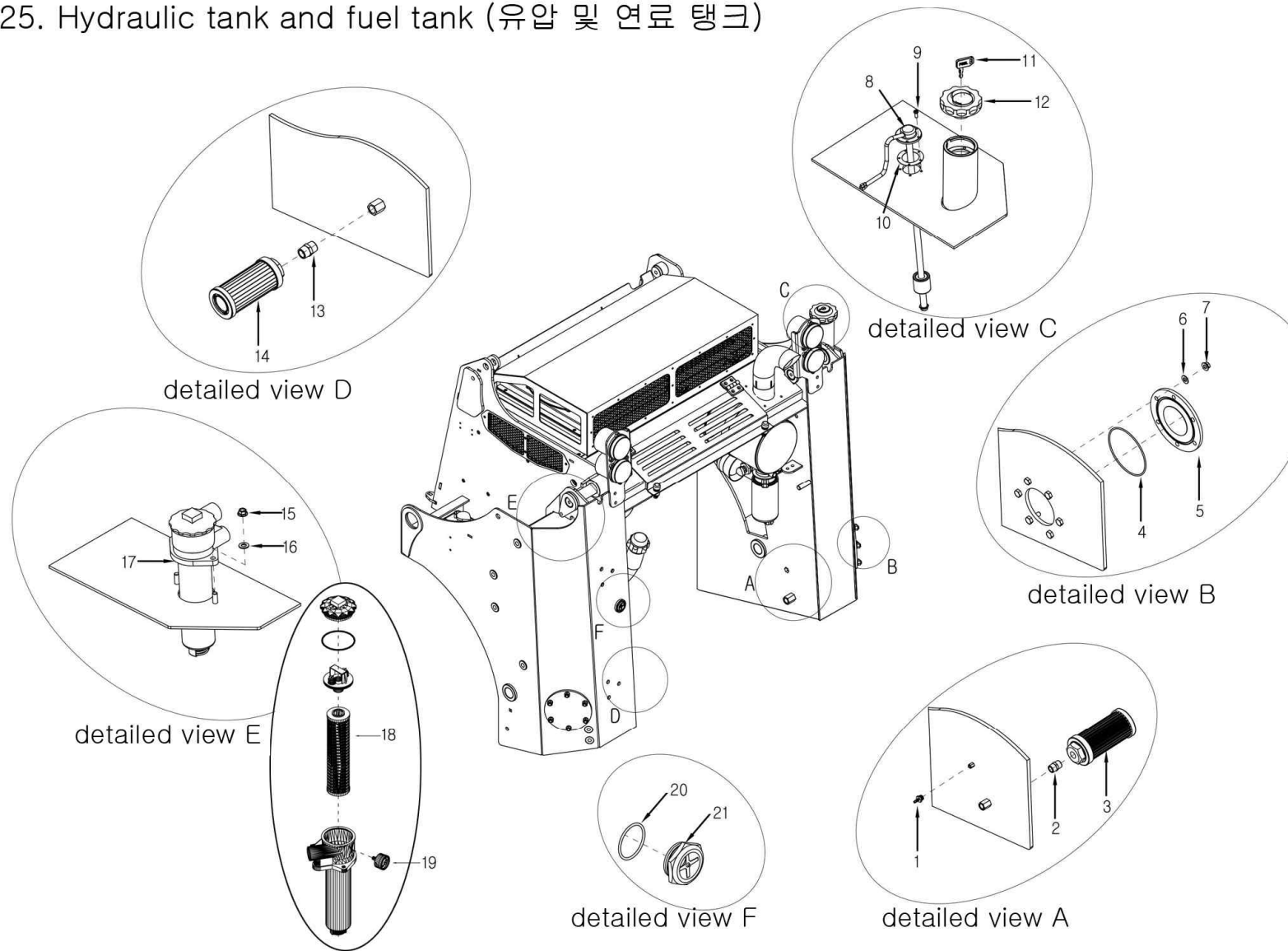
23. Parts related to engine (엔진관련 부품) (Cont'd) (계속)				
No.	Name	Part No.	Quantity	Remarks
26	1st fuel filter (1 차 연료 필터)	330T4-2326	1	
27	Washer (와셔)	330T4-2327	2	
28	Nut (너트)	330T4-2328	2	
29	2nd fuel filter (2 차 연료 필터)	330T4-2329	1	

24. Air cleaner (에어크리너) Kubota



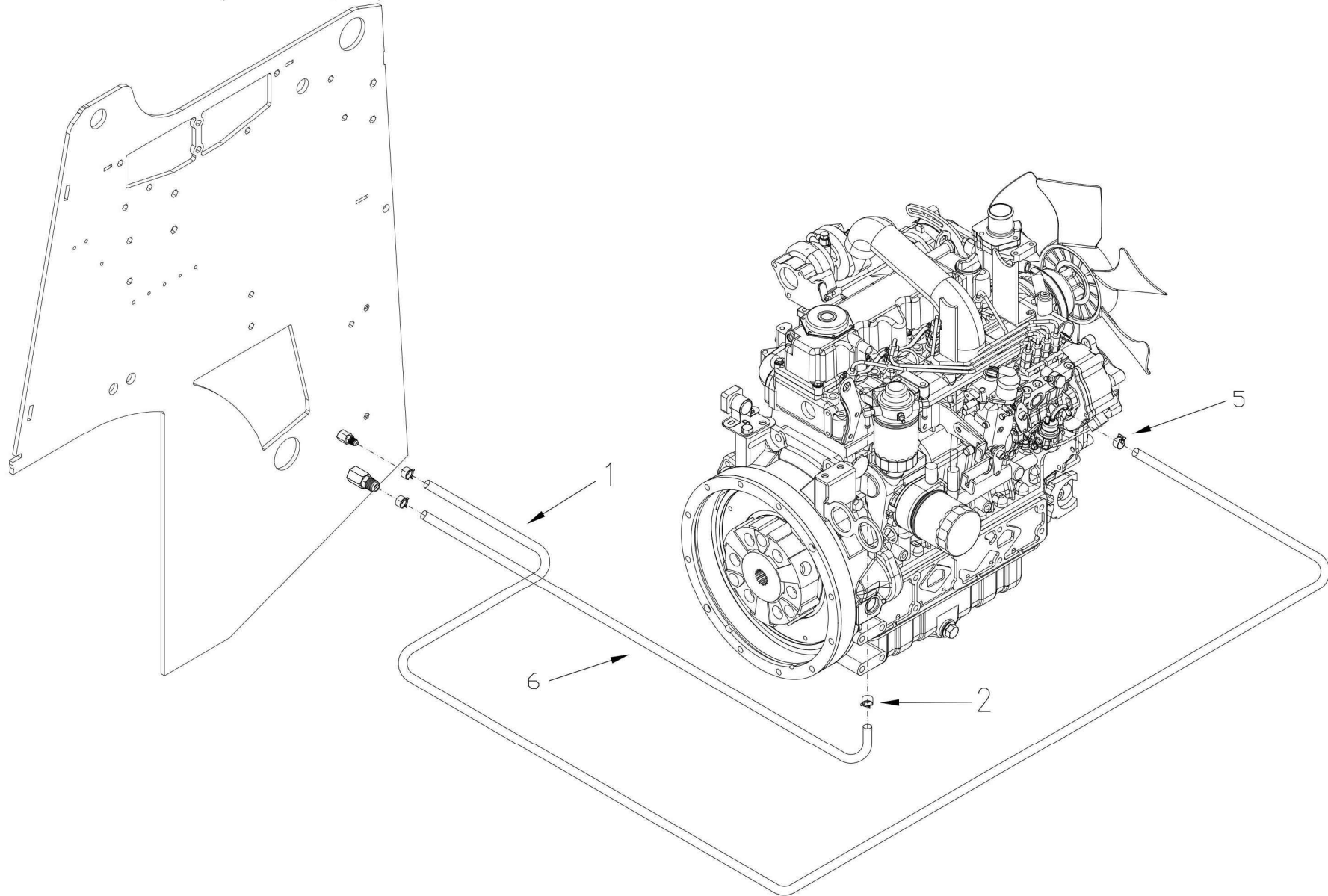
24. Air cleaner (에어크리너) Kubota				
No.	Name	Part No.	Quantity	Remarks
A	Air cleaner housing assy (에어크리너 조합)	330T4-2401AK	1	
1	Fixed bracket, Air cleaner housing (고정브라켓)	330T4-2401K	1	
2	Bolt (볼트)	330T4-2402K	2	
4	Bottom cap (하단 캡)	330T4-2404K	1	
5	Secondary element (2 차필터)	330T4-2405K	1	
6	Primary element (1 차필터)	330T4-2406K	1	
9	Housing (하우징)	330T4-2409K	1	
10	Air cleaner hose (에어크리너 호스)	330T4-2410K	1	
12	Connecting hose 1, air cleaner (에어크리너 연결호스 1)	330T4-2412K	1	
13	Connecting hose 2, air cleaner (에어크리너 연결호스 2)	330T4-2413K	1	

25. Hydraulic tank and fuel tank (유압 및 연료 탱크)



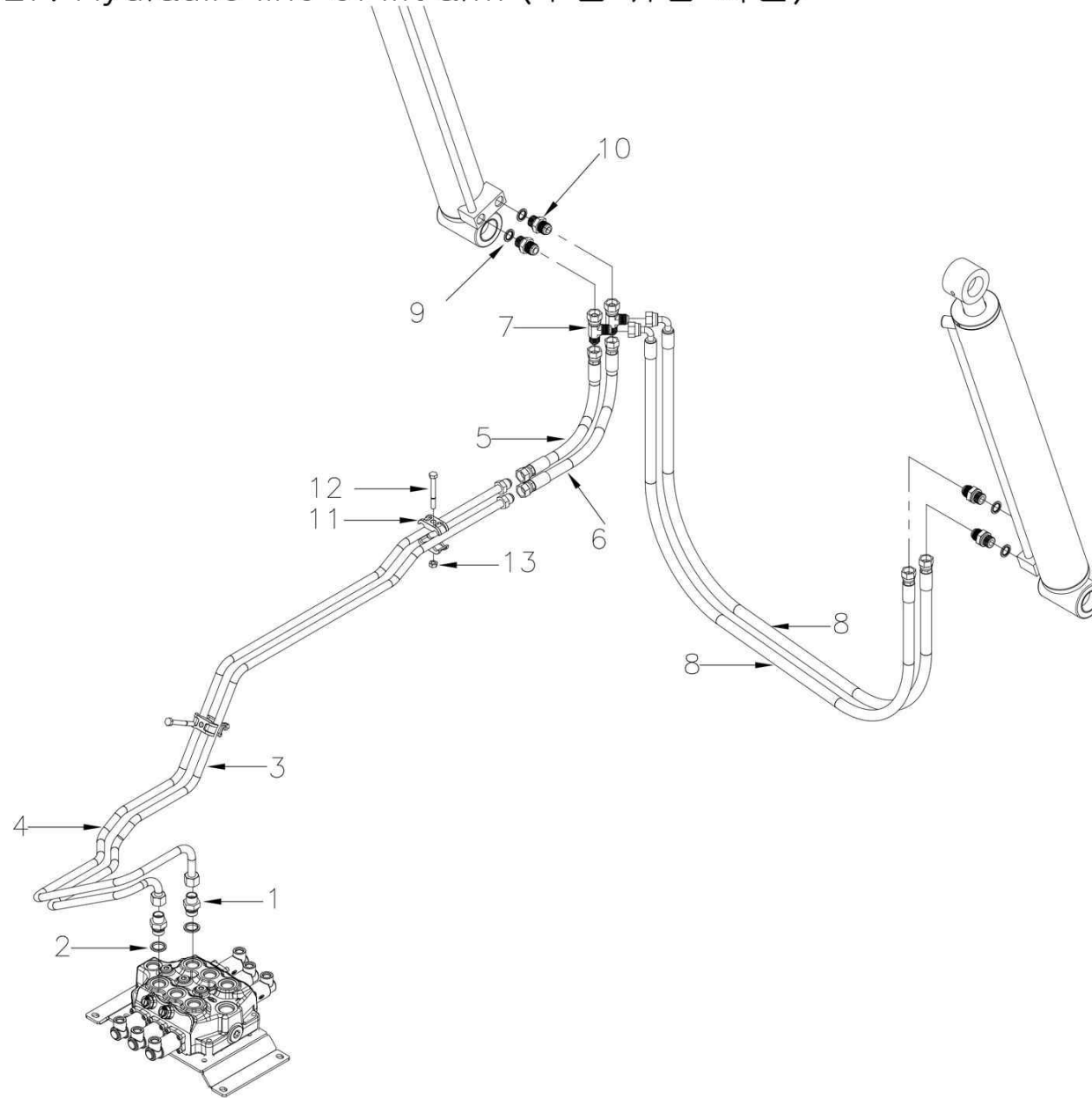
25. Hydraulic tank and fuel tank (유압 및 연료 탱크)				
No.	Name	Part No.	Quantity	Remarks
1	Coupling nipple (연결 니플)	330T4-2501	1	
2	Coupling nipple (연결 니플)	330T4-2502	1	
3	Suction filter for fuel (fuel filter) (석션 필터, 경유)	330T4-2503	1	
4	O-ring (오 링)	330T4-2504	2	
5	Service window for filter (필터 정비창)	330T4-2505	2	
6	Spring washer (스프링 와셔)	330T4-2506	12	
7	Nut (너트)	330T4-2507	12	
8	Fuel Sensor (연료 센서)	330T4-2508	1	
9	Bolt (볼트)	330T4-2509	5	
10	Gasket (가스켓)	330T4-2510	1	
11	key (열쇠)	330T4-2511	1	
12	Fuel cap (연료 캡)	330T4-2512	1	
13	Coupling nipple (연결 니플)	330T4-2513	1	
14	Suction filter for hyd' oil (hyd' oil filter) (석션 필터, 유압)	330T4-2514	1	
15	Nut (너트)	330T4-2515	2	
16	Spring washer (스프링 와셔)	330T4-2516	2	
17	Dual filter assy (suction * spin-on) (복합필터조합 석션*리턴)	330T4-2517A	1	
18	Filter (필터)	330T4-2517-1	1	
19	Pressure gauge (압력 게이지)	330T4-2517-2	1	
20	O-ring (오 링)	330T4-2519	1	
21	Hyd' oil level gauge (유량 게이지)	330T4-2520	1	

26. Fuel line (연료 라인) Kubota



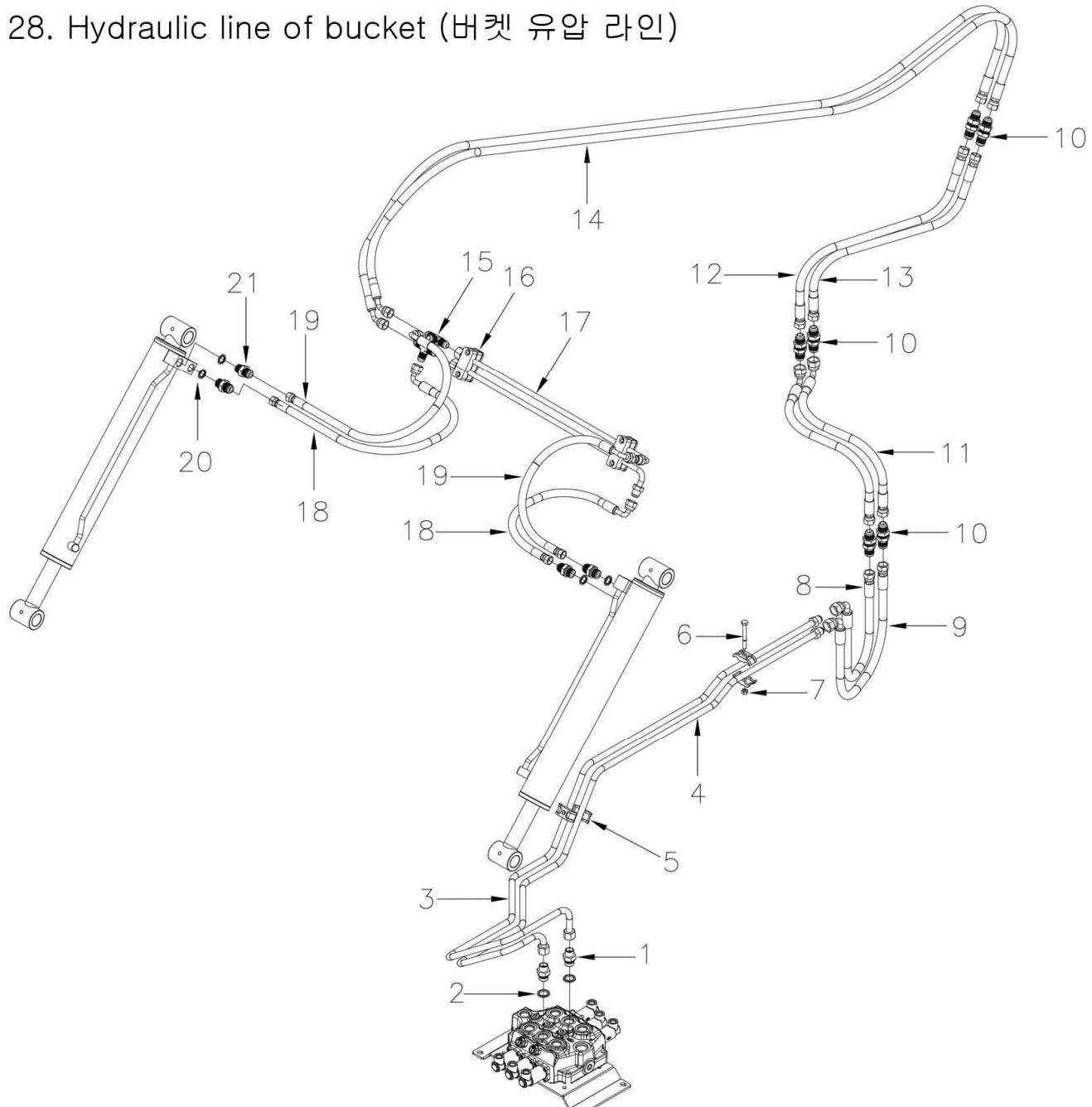
26. Fuel line (연료 라인) Kubota				
No.	Name	Part No.	Quantity	Remarks
1	Drain hose (퇴유호스)	330T4-2601K	1	
2	Band (밴드)	330T4-2602K	2	
5	Band (밴드)	330T4-2605K	2	
6	Input hose II (입력 호스)	330T4-2606K	1	

27. Hydraulic line of lift arm (주분 유압 라인)



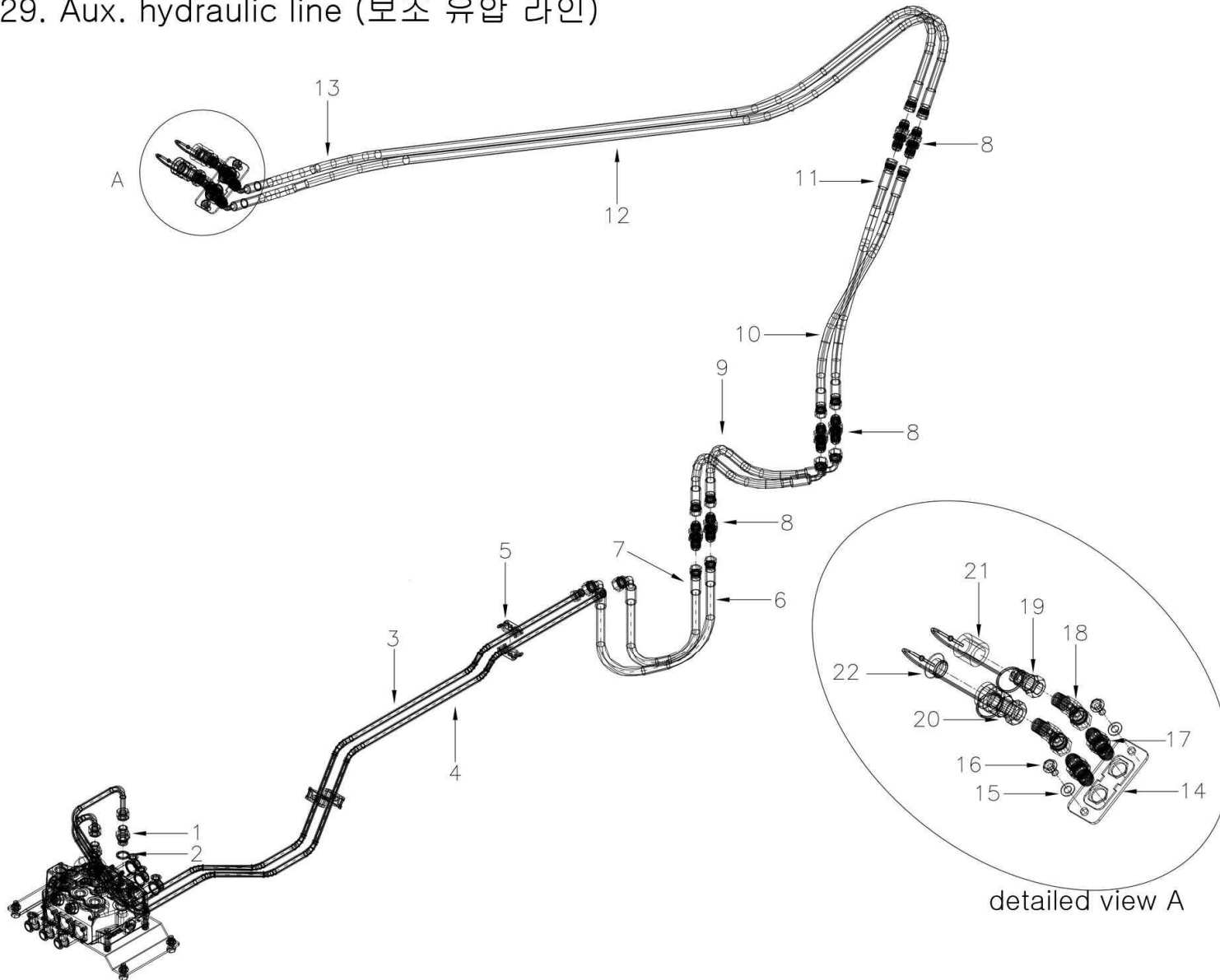
27. Hydraulic line of lift arm (주뚫 유압 라인)				
No.	Name	Part No.	Quantity	Remarks
1	Hose nipple, control valve (호스 니뵤, 콘트롤 밸브)	330T4-2701	2	
2	Bonded seal (본디드 씬)	330T4-2702	2	
3	Steel pipe (coupling nipple&hose) (철배관(연결니뵤*호스))	330T4-2703	1	
4	Steel pipe (coupling nipple&hose) (철배관(연결니뵤*호스))	330T4-2704	1	
5	Hose (Steel pipe*Distriuting nipple) (호스(철배관*분배니뵤))	330T4-2705	1	
6	Hose (Steel pipe*Distriuting nipple) (호스(철배관*분배니뵤))	330T4-2706	1	
7	Distriuting nipple (분배 니뵤)	330T4-2707	2	
8	Hose (coupling nipple*lift cylinder) (호스 (연결니뵤*뵤실린더))	330T4-2708	2	
9	Bonded seal (본디드 씬)	330T4-2709	4	
10	Hose nipple (호스 니뵤)	330T4-2710	4	
11	Clamp (크랩프)	330T4-2711	2	
12	Bolt (볼트)	330T4-2712	2	
13	Nut (너트)	330T4-2713	2	

28. Hydraulic line of bucket (버킷 유압 라인)



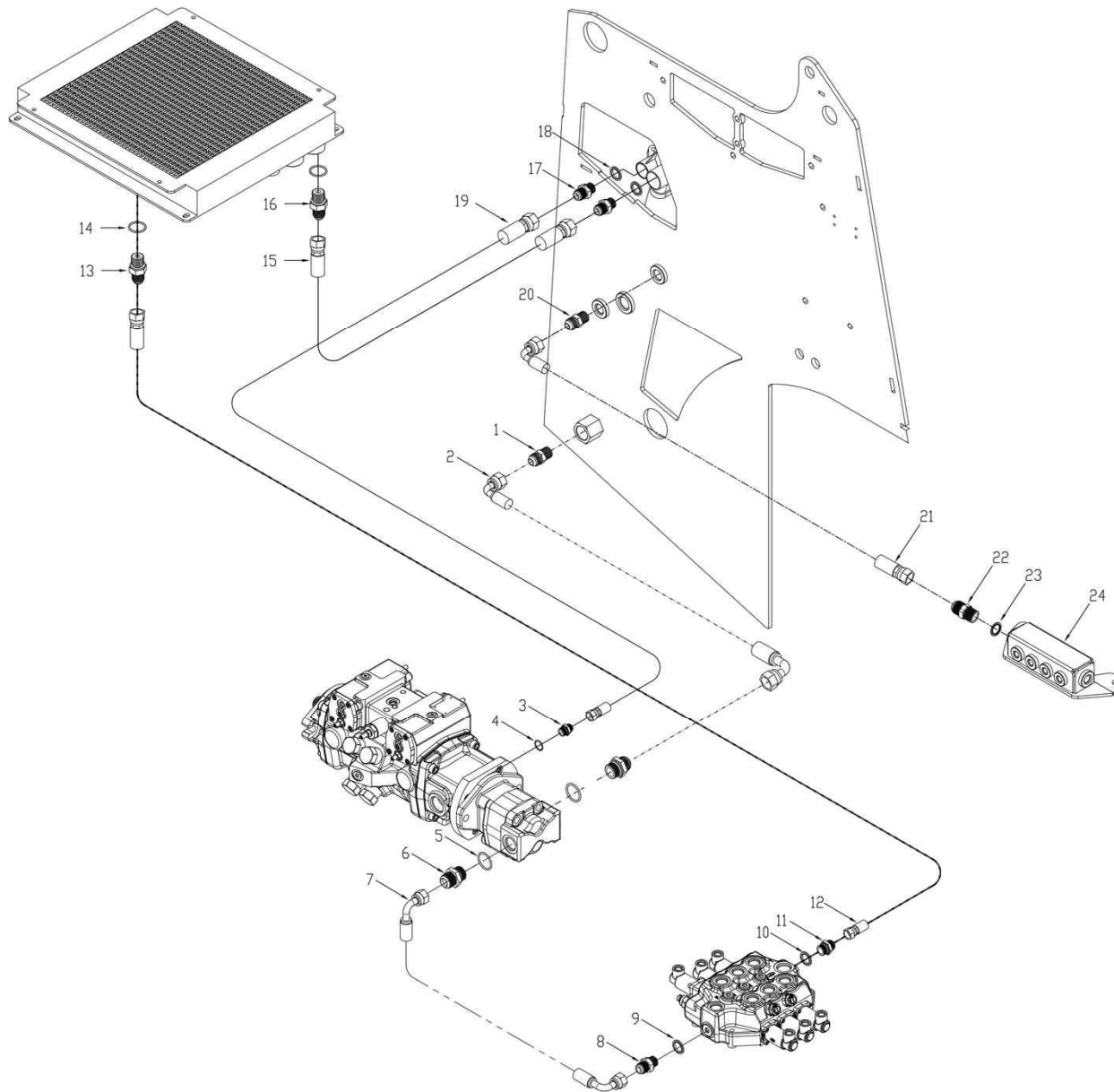
28. Hydraulic line of bucket (버킷 유압 라인)				
No.	Name	Part No.	Quantity	Remarks
1	Hose nipple, control valve (호스 니플, 콘트롤 밸브)	330T4-2801	2	
2	Bonded seal (본디드 씬)	330T4-2802	2	
3	Steel pipe (coupleing nipple*Hose) (철배관 (연결 니플 * 호스))	330T4-2803	1	
4	Steel pipe (coupleing nipple*Hose) (철배관 (연결 니플 * 호스))	330T4-2804	1	
5	Clamp (클램프)	330T4-2805	2	
6	Bolt (볼트)	330T4-2806	2	
7	Nut (너트)	330T4-2807	2	
8	Hose (coupling nipple*steel pipe) (호스(연결 니플* 철배관))	330T4-2808	1	
9	Hose (coupling nipple*steel pipe) (호스(연결 니플*철배관))	330T4-2809	1	
10	Coupling nipple (연결니플)	330T4-2810	6	
11	Hose (coupling nipple * coupling nipple) (호스 (연결 니플*연결니플))	330T4-2811	2	
12	Hose (coupling nipple * coupling nipple) (호스 (연결 니플*연결니플))	330T4-2812	1	
13	Hose (coupling nipple * coupling nipple) (호스 (연결 니플*연결니플))	330T4-2813	1	
14	Hose (coupling nipple*steel pipe) (호스(연결 니플* 철배관))	330T4-2814	2	
15	Coupling nipple (연결니플)	330T4-2815	2	
16	Clamp (크램프)	330T4-2816	2	
17	Steel pipe (철 배관)	330T4-2817	2	
18	Hose (Steel pipe*tilting forward, tilt cylinder) (호스(철배관*버킷실린더오므림))	330T4-2818	2	
19	Hose (Steel pipe*curling up, tilt cylinder) (호스(철배관*버킷실린더퍼짐))	330T4-2819	2	
20	Bonded seal (본디드 씬)	330T4-2820	4	
21	Hose nipple (호스니플)	330T4-2821	4	

29. Aux. hydraulic line (보조 유압 라인)



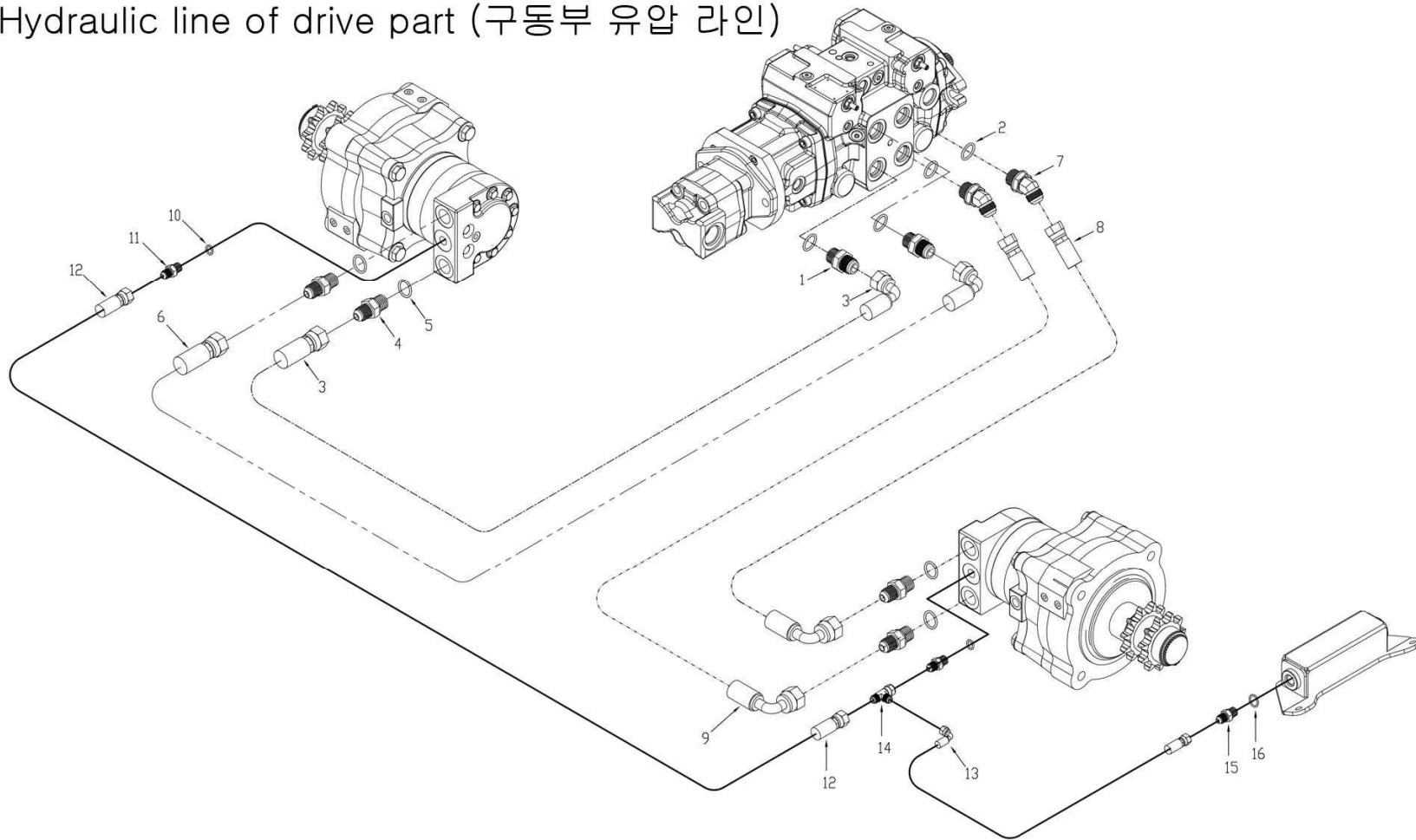
29. Aux. hydraulic line (보조 유압 라인)				
No.	Name	Part No.	Quantity	Remarks
1	Hose nipple ST, control valve (호스니플 ST, 콘트롤밸브)	330T4-2901	2	
2	Bonded seal (본디드 씬)	330T4-2902	2	
3	Steel pipe (Control valve*distributing nipple) 철배관 (콘트롤밸브*분배니플)	330T4-2903	1	
4	Steel pipe (Control valve*distributing nipple) (철배관 (콘트롤밸브*분배니플))	330T4-2904	1	
5	Clamp (크램프)	330T4-2905	2	
6	Hose (Control valve*Coupling nipple) (호스(콘트롤밸브*연결니플))	330T4-2906	1	
7	Hose (Control valve*Coupling nipple) (호스(콘트롤밸브*연결니플))	330T4-2907	1	
8	Hose nipple (호스니플)	330T4-2908	6	
9	Hose (coupling nipple*coupling nipple) (호스(연결니플*연결니플))	330T4-2909	2	
10	Hose (coupling nipple*coupling nipple) (호스(연결니플*연결니플))	330T4-2910	1	
11	Hose (coupling nipple*coupling nipple) (호스(연결니플*연결니플))	330T4-2911	1	
12	Hose (coupling nipple*quick coupling) (호스(연결니플*퀵커플링))	330T4-2912	1	
13	Hose (coupling nipple*quick coupling) (호스(연결니플*퀵커플링))	330T4-2913	1	
14	Fixed plate (고정 판)	330T4-2914	1	
15	Washer (와셔)	330T4-2915	2	
16	Bolt (볼트)	330T4-2916	2	
17	Hose nipple ST (호스니플 ST)	330T4-2917	2	
18	Nipple L (니플 L)	330T4-2918	2	
19	Quick coupling, input (퀵 커플링, 입력)	330T4-2919	1	
20	Quick coupling, output (퀵 커플링, 출력)	330T4-2920	1	
21	Cap, Quick coupling, input (퀵 커플링, 입력)-커플링 캡	330T4-2921	1	
22	Cap, Quick coupling, output (퀵 커플링, 출력)-커플링 캡	330T4-2922	1	

30. Main hydraulic line (메인 유압 라인)



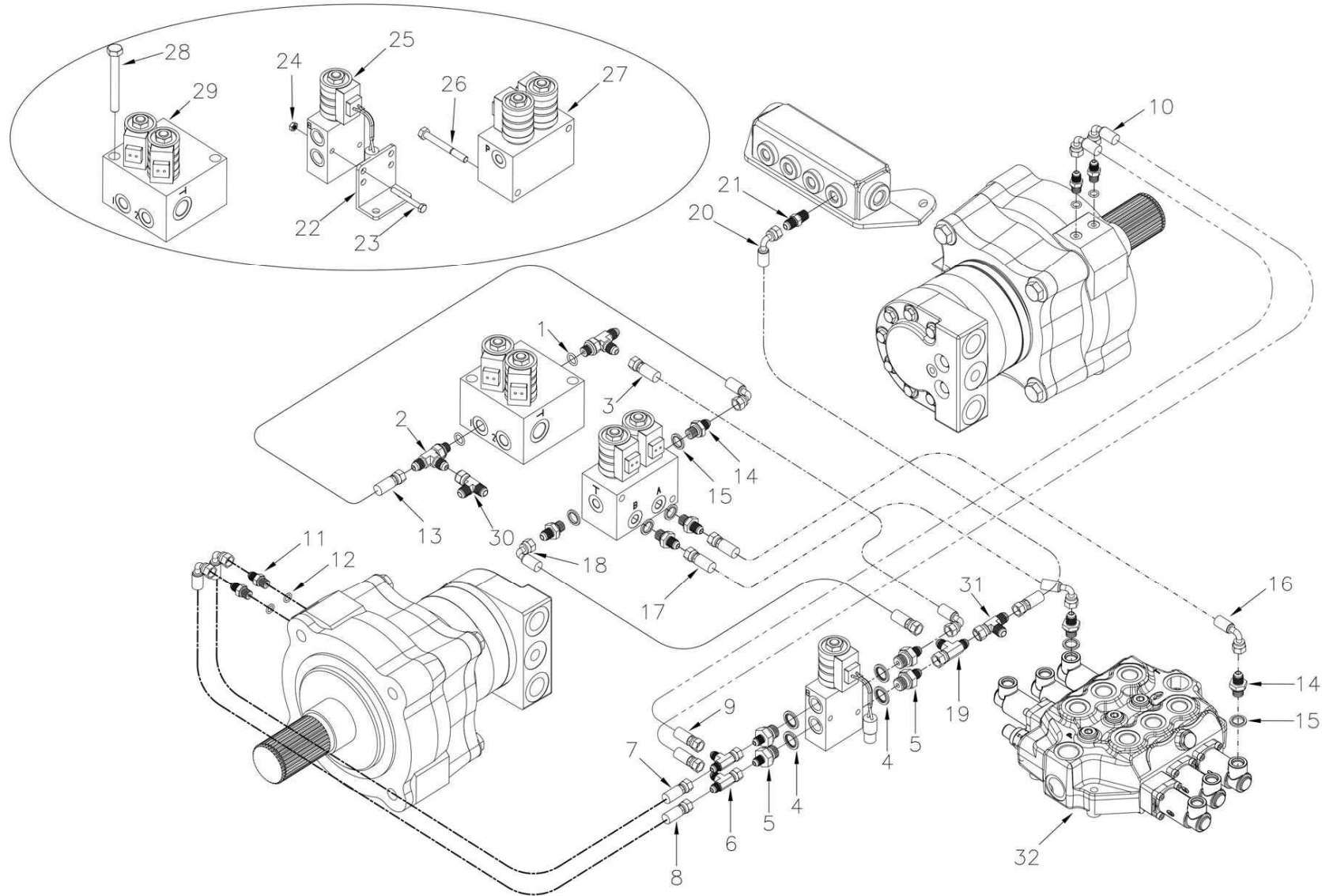
30. Main hydraulic line (메인 유압 라인)				
No.	Name	Part No.	Quantity	Remarks
1	Hose nipple ST, suction filter (석션 필터용 호스 니플 ST)	330T4-3001	1	
2	Hose (tank*input, Aux. pump) (호스 (탱크*기어 펌프,입력))	330T4-3002	1	
3	Hose nipple ST, input, Aux. pump ((호스 니플 ST, 기어 펌프 입력))	330T4-3003	1	
4	O-ring (오 링)	330T4-3004	1	
5	O-ring (오 링)	330T4-3005	2	
6	Hose nipple ST, output, Aux. pump (호스 니플 ST, 기어 펌프 출력)	330T4-3006	1	
7	Hose (output, aux. pump*input, control valve) (호스(기어 펌프,출력*콘트롤 밸브, 입력))	330T4-3007	2	
8	Hose nipple ST, control valve (호스 니플 ST, 콘트롤 밸브)	330T4-3008	1	
9	Bonded Seal (본디드셀)	330T4-3009	1	
10	Bonded Seal (본디드셀)	330T4-3010	1	
11	Nipple (니플)	330T4-3011	1	
12	Hose (control valve T*input, oil cooler) (호스(콘트롤밸브 T * 쿨러입력))	330T4-3012	2	
13	Hose nipple (호스니플)	330T4-3013	1	
14	O-ring (오 링)	330T4-3014	2	
15	Hose (oil cooler*input, dual filter) (호스(오일쿨러*복합필터,입력))	330T4-3015	2	
16	Hose nipple (호스니플)	330T4-3016	1	
17	Hose nipple (호스니플)	330T4-3017	2	
18	Bonded Seal (본디드셀)	330T4-3018	2	
19	Hose (output, dual filter*input, charge pump) (호스(이중필터출력,충전펌프입력))	330T4-3019	2	
20	Hose nipple (호스 니플)	330T4-3020	1	
21	Hose (tank*combined pipe T) (호스(탱크*합류관 T))	330T4-3021	1	
22	Nipple (니플)	330T4-3022	1	
23	Hose (호스)	330T4-3023	1	
24	Combined pipe assy (합류관 조합)	330T4-3024	1	

31. Hydraulic line of drive part (구동부 유압 라인)



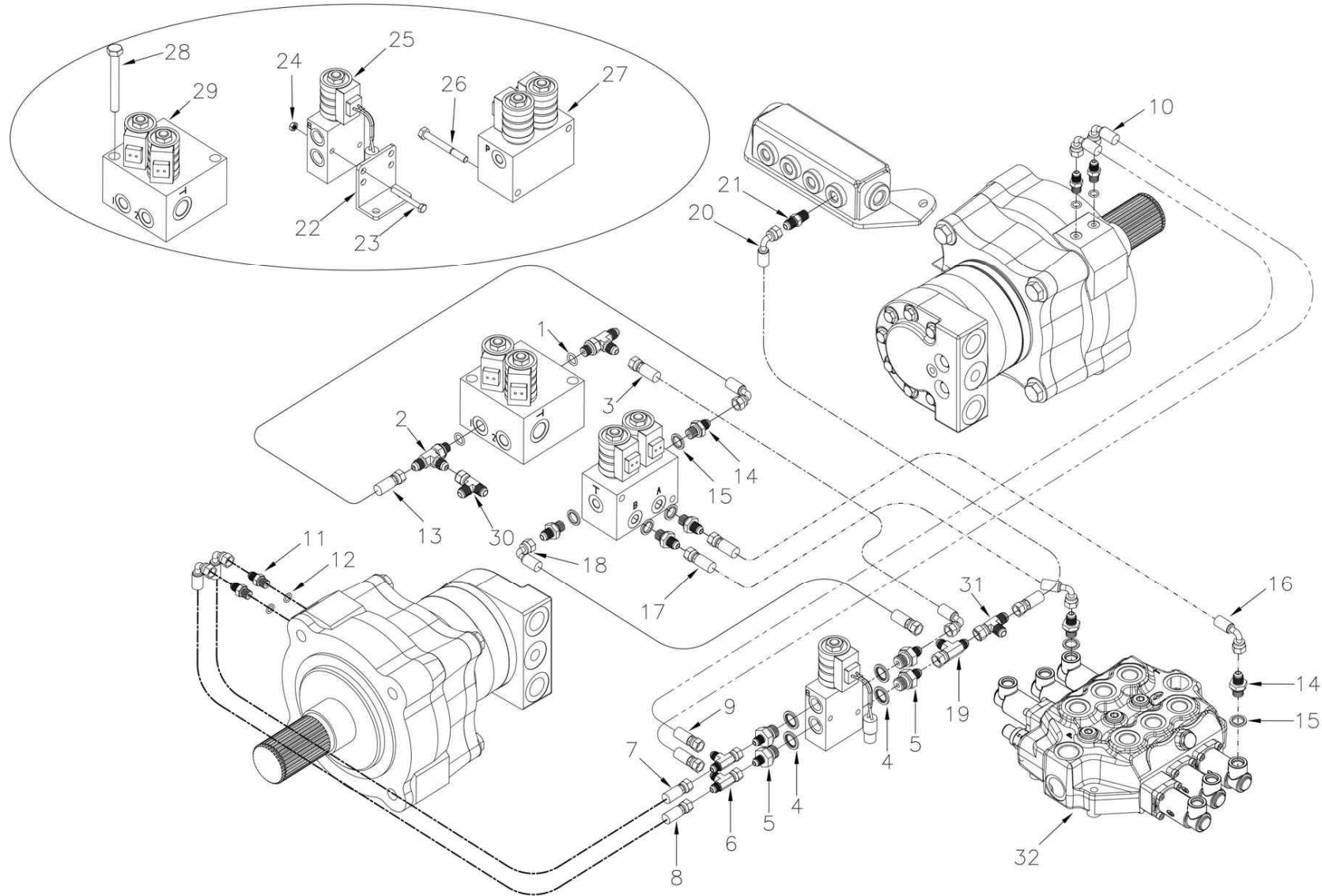
31. Hydraulic line of drive part (구동부 유압 라인)				
No.	Name	Part No.	Quantity	Remarks
1	Hose nipple ST, drive pump (구동 펌프 2*호스 니플 ST)	330T4-3101	2	
2	O-ring (오 링)	330T4-3102	4	
3	Hose (drive pump 2*drive motor RH,lower) (호스 (구동 펌프 2*구동 모터) RH-하)	330T4-3103	2	
4	Hose nipple T, charge motor (구동 모터 호스 니플)	330T4-3104	4	
5	O-ring (오 링)	330T4-3105	4	
6	Hose (drive pump 2*drive motor RH, upper) (호스 (구동 펌프 2*구동 모터) RH-상)	330T4-3106	2	
7	Hose nipple EL, charge pump (충전펌프 호스 니플 EL)	330T4-3107	4	
8	Hose (drive pump 1*drive motor LH, upper) (호스 (구동 펌프 1*구동 모터) LH-상)	330T4-3108	2	
9	Hose (drive pump 1*drive motor LH, lower) (호스 (구동 펌프 1*구동 모터) LH-하)	330T4-3109	2	
10	O-ring (오 링)	330T4-3110	2	
11	Hose nipple, charge pump (충전 펌프 호스 니플)	330T4-3111	2	
12	Hose (drain, drive motor*coupling nipple) (호스(구동모터 드레인*연결니플))	330T4-3112	2	
13	Hose (coupling nipple*combined pipe) (호스(연결니플 * 합류관))	330T4-3113	2	
14	Hose nipple T (drive motor*combined pipe) (호스니플 t (구동 모터*합류관))	330T4-3114	1	
15	Hose nipple (호스니플)	330T4-3115	1	
16	O-ring (오 링)	330T4-3116	1	

32. Hydraulic line of hyd' parking brake (유압주차브레이크 유압라인)



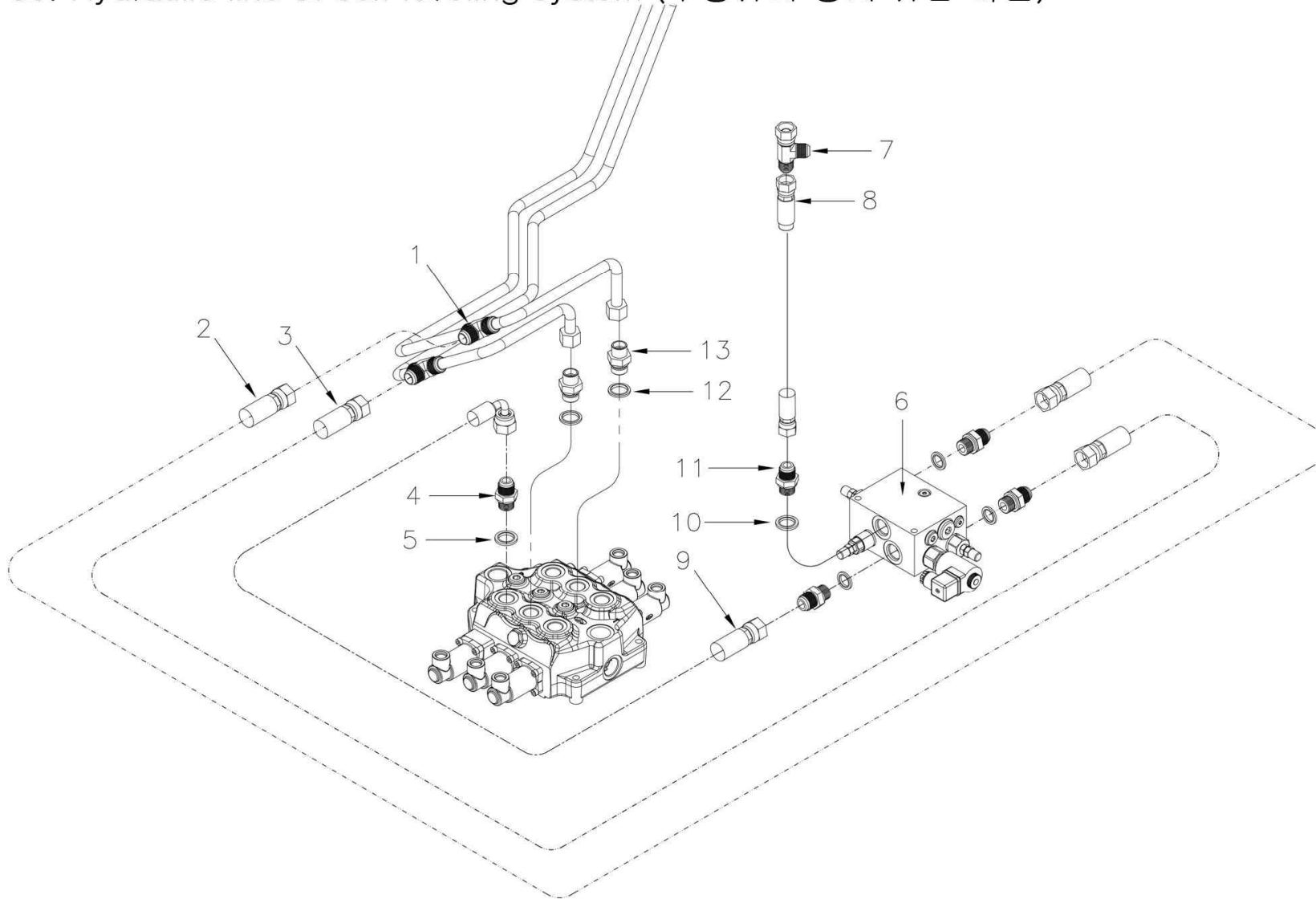
32. Hydraulic line of hyd' parking brake (유압주차브레이크 유압라인)				
No.	Name	Part No.	Quantity	Remarks
1	O-ring (오 링)	330T4-3201	2	
2	Coupling nipple (연결 니플)	330T4-3202	2	
3	Hose (main solenoid*4way valve) (호스(메인솔밸브*4WAY 밸브))	330T4-3203	1	
4	Bonded Seal (본디드씰)	330T4-3204	4	
5	Hose nipple (4way valve) (호스니플(4WAY 밸브))	330T4-3205	4	
6	Coupling nipple (연결 니플)	330T4-3206	2	
7	Hose (distributing nipple T (EL)*release, RH motor) (호스(분배니플 T (EL) * 우측모터 릴리즈))	330T4-3207	1	
8	Hose (distributing nipple T (EL)*release, RH motor) (호스(분배니플 T (EL) * 우측모터 릴리즈))	330T4-3208	1	
9	Hose (distributing nipple T (EL)*release, LH motor) (호스(분배니플 T (EL) * 좌측모터 릴리즈))	330T4-3209	2	
10	Hose (distributing nipple T (EL)*release, LH motor) (호스(분배니플 T (EL) * 좌측모터 릴리즈))	330T4-3210	2	
11	Hose nipple ST, Motor booster, release (호스니플 St (모터부스터, 릴리즈))	330T4-3211	2	
12	O-ring (오 링)	330T4-3212	2	
13	Hose (main solenoid valve*aux. solenoid valve) (호스(메인솔밸브*보조유압솔밸브))	330T4-3213	2	
14	Hose nipple ST,aux. solenoid valve (A,B,T,P) (호스니플 ST,보조유압 솔밸브 (A,B,T,P))	330T4-3214	6	
15	Bonded Seal (본디드씰)	330T4-3215	6	
16	Hose (control valve*main solenoid valve A) (호스(콘트롤밸브*메인솔밸브 A))	330T4-3216	2	

32. Hydraulic line of hyd' parking brake (유압주차브레이크 유압라인)



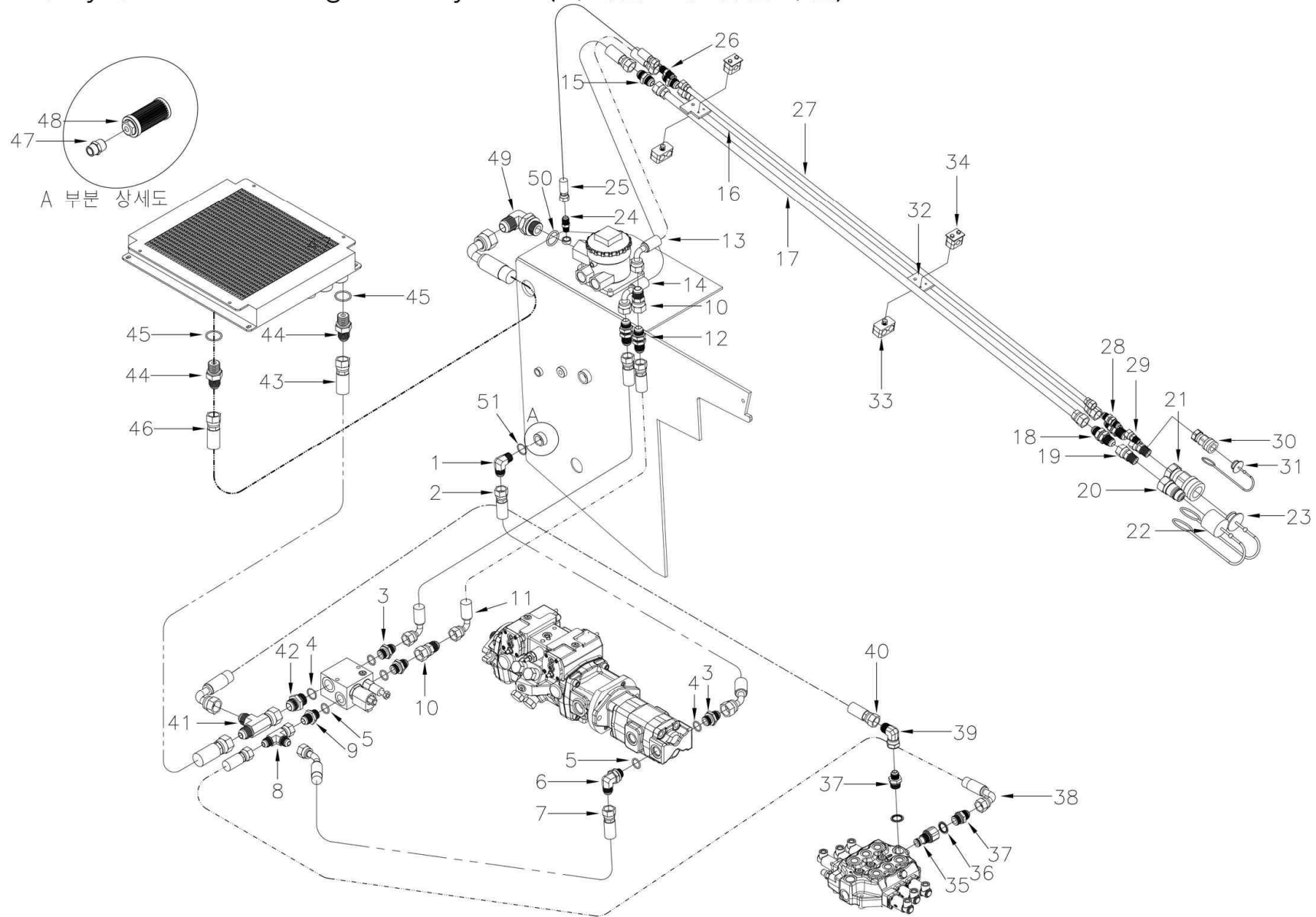
32. Hydraulic line of hyd' parking brake (유압주차브레이크 유압라인) (Cont'd) (계속)				
No.	Name	Part No.	Quantity	Remarks
17	Hose (control valve*main solenoid valve B) (호스(콘트롤밸브*메인솔밸브 B))	330T4-3217	2	
18	Hose (hydraulics solenoid valve*4way valve) (호스(보조유압솔밸브*4WAY 밸브))	330T4-3218	2	
19	Hose nipple T (combined pipe1*aux. solenoid valve,4way valve) (호스니플 T (합류관 1* 보조유압솔밸브,4WAY 밸브))	330T4-3219	1	
20	Hose (4way valve*combined pipe2) (호스(4WAY 밸브*합류관 2))	330T4-3220	2	
21	Hose nipple ST (combined pipe2) (호스니플 St (합류관 2))	330T4-3221	1	
22	Fixed plate for 4way valve (4WAY 밸브 고정판)	330T4-3222	1	
23	Bolt (볼트)	330T4-3223	2	
24	Nut (너트)	330T4-3224	2	
25	4 way Solenoid valve (4 way 솔레노이드 밸브)	330T4-3225	1	
26	Bolt (볼트)	330T4-3226	2	
27	Auxiliary solenoid valve (보조 솔 밸브)	330T4-3227	1	
28	Bolt (볼트)	330T4-3228	2	
29	Main solenoid valve (메인 솔밸브)	330T4-3229	1	
30	Coupling nipple (연결 니플)	330T4-3230	1	
31	Coupling nipple (연결 니플)	330T4-3231	1	
32	Main Control Valve (메인컨트롤밸브)	330T4-3232	1	

33. Hydraulic line of self leveling system (수평유지 장치 유압 라인)



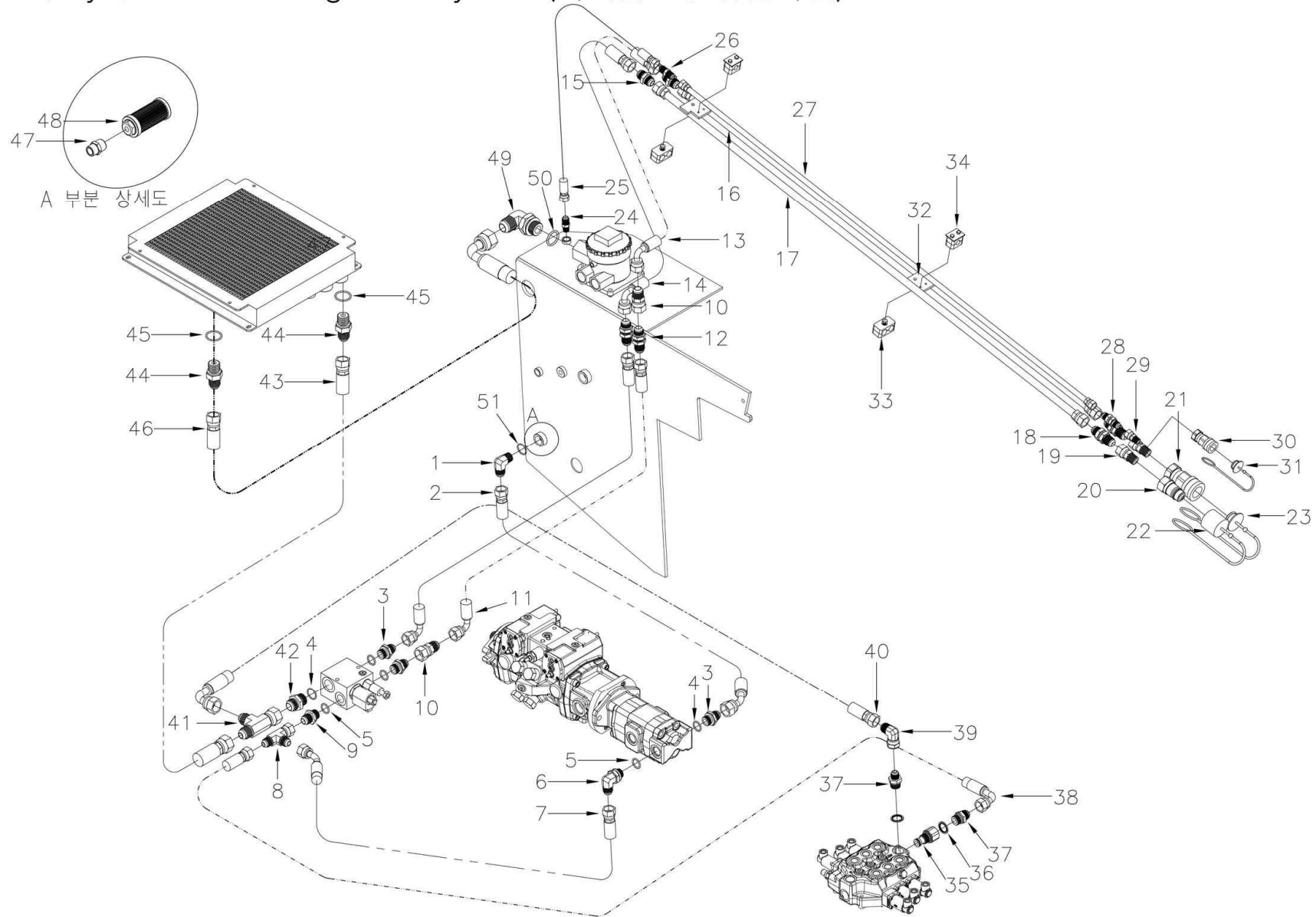
33. Hydraulic line of self leveling system (수평유지 장치 유압 라인)				
No.	Name	Part No.	Quantity	Remarks
1	Coupling nipple (연결니뿔)	330T4-3301	2	
2	Hose (coupling nipple*self leveling valve) (호스 (연결니뿔*셀프레벨))	330T4-3302	1	
3	Hose (coupling nipple*self leveling valve) (호스 (연결니뿔*셀프레벨))	330T4-3303	1	
4	Hose nipple (호스 니뿔)	330T4-3304	1	
5	Bonded seal (본디드 씰)	330T4-3305	1	
6	Self level (셀프레벨)	330T4-3306	1	
7	Coupling nipple (연결니뿔)	330T4-3307	1	
8	Hose (coupling nipple*self leveling valve) (호스 (연결니뿔*셀프레벨))	330T4-3308	1	
9	Hose (호스 (메인컨트롤밸브*셀프레벨))	330T4-3309	1	
10	Bonded seal (본디드 씰)	330T4-3310	4	
11	Hose nipple (호스 니뿔)	330T4-3311	4	
12	Bonded seal (본디드 씰)	330T4-3312	2	
13	Hose nipple, control valve (호스 니뿔, 콘트롤 밸브)	330T4-3313	2	

34. Hydraulic line of high flow system (하이플로우 유압라인)



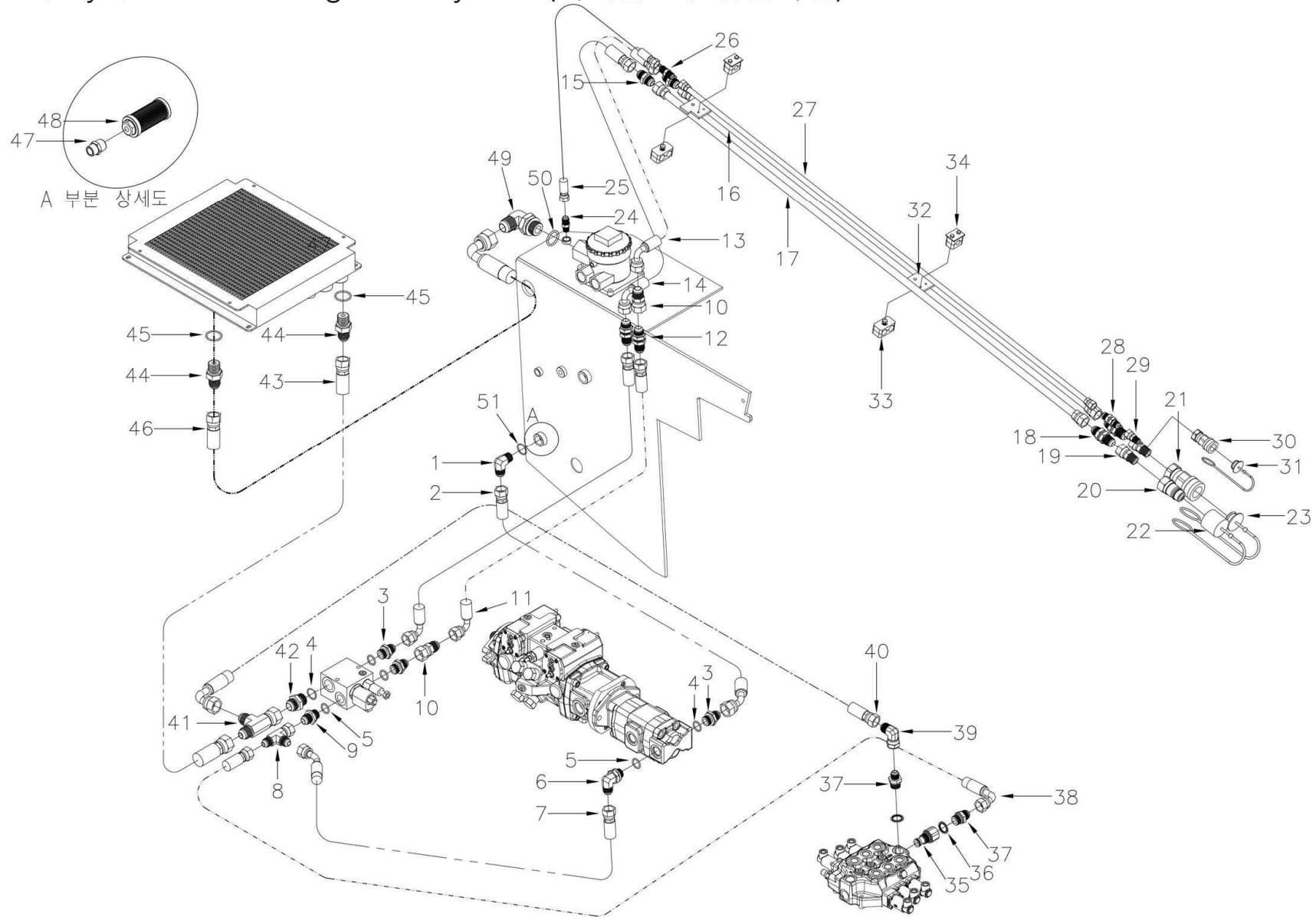
34. Hydraulic line of high flow system (하이플로우 유압라인)				
No.	Name	Part No.	Quantity	Remarks
1	Nipple I (니플 L)	330T4-3401	1	
2	Hose (hose nipple*pressure oil tank) (호스(연결니플*유압탱크))	330T4-3402	1	
3	Nipple (니플)	330T4-3403	2	
4	O-ring (오 링)	330T4-3404	3	
5	O-ring (오 링)	330T4-3405	3	
6	Hose nipple L, output, Aux. pump (호스니플 L, 기어펌프 출력)	330T4-3406	1	
7	Hose (Pressure oil pump*distributing Nipple EL) (호스(유압펌프 출력 * 분배 니플 EL))	330T4-3407	1	
8	Distributing nipple T (분배 니플 T)	330T4-3408	1	
9	Nipple (니플)	330T4-3409	1	
10	Coupling nipple (연결 니플)	330T4-3410	2	
11	Hose (high-flow block*coupling nipple) (호스(하이플로우블럭*연결니플))	330T4-3411	2	
12	Coupling nipple (연결 니플)	330T4-3412	2	
13	Hose (coupling nipple*high-flow steel pipe) (호스(연결니플*하이플로우 철파이프))	330T4-3413	1	
14	Hose (coupling nipple*high-flow steel pipe) (호스(연결니플*하이플로우 철파이프))	330T4-3414	1	
15	Coupling nipple (연결 니플)	330T4-3415	2	
16	Hose (coupling nipple*steel pipe) (호스(연결니플*철배관))	330T4-3416	1	
17	Hose (coupling nipple*steel pipe) (호스(연결니플*철배관))	330T4-3417	1	
18	Coupling nipple (연결 니플)	330T4-3418	2	
19	Coupling nipple (연결 니플)	330T4-3419	2	
20	Quick coupling, input (퀵 커플링, 출력)	330T4-3420	1	
21	Quick coupling, output (퀵 커플링, 입력)	330T4-3421	1	
22	Cap, Quick coupling, input (퀵 커플링, 출력)-커프링 캡	330T4-3422	1	

34. Hydraulic line of high flow system (하이플로우 유압라인)



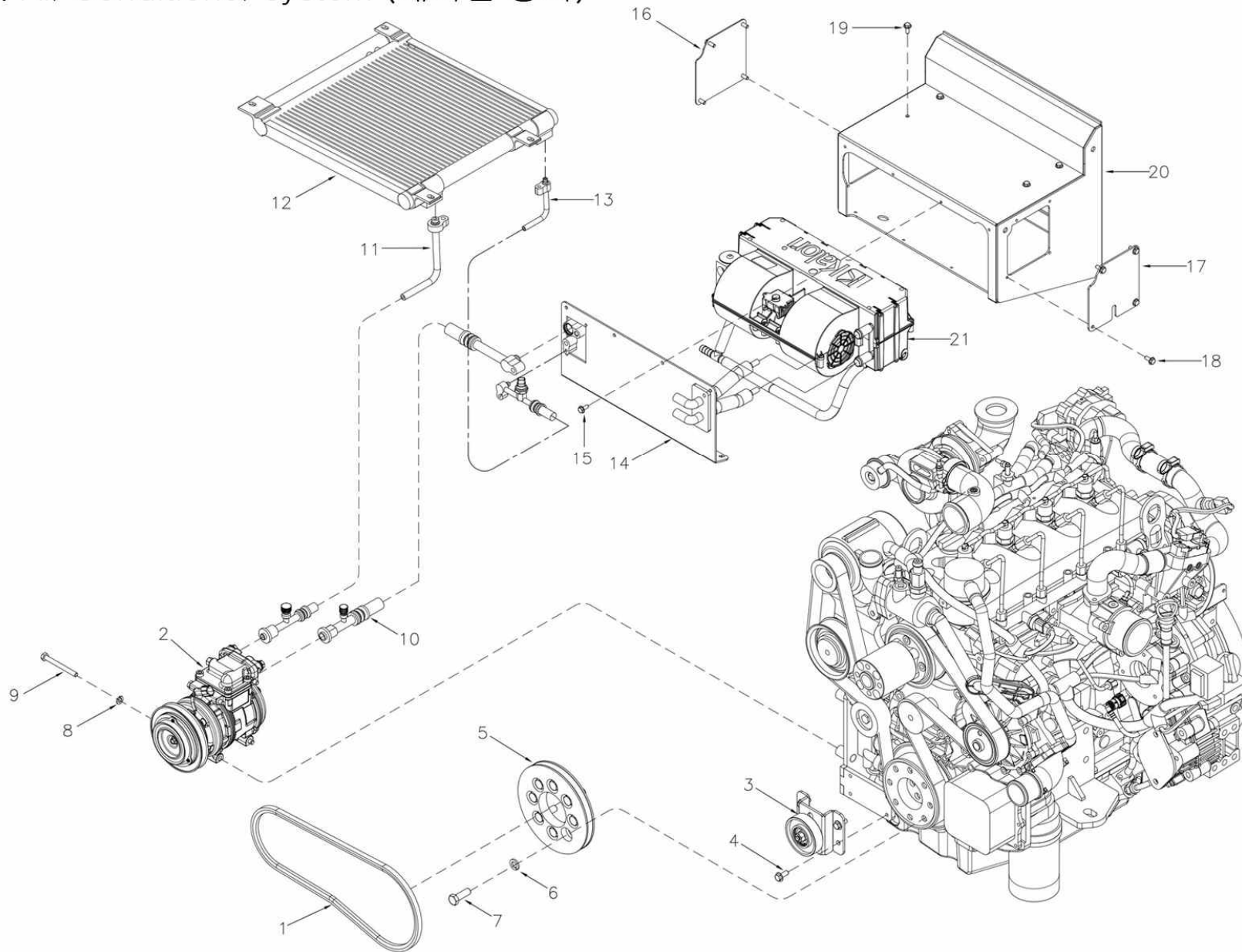
34. Hydraulic line of high flow system (하이플로우 유압라인)				
No.	Name	Part No.	Quantity	Remarks
23	Cap, Quick coupling, output (퀵 커플링, 입력)-커프링 캡	330T4-3423	1	
24	Nipple (니플)	330T4-3424	1	
25	Hose (pressure oil tank*high-flow steel pipe) (호스 (유압탱크*하이플로우 철파이프))	330T4-3425	1	
26	Coupling nipple (연결 니플)	330T4-3426	1	
27	Hose (coupling nipple*steel pipe) (호스(연결니플*철배관))	330T4-3427	1	
28	Coupling nipple (연결 니플)	330T4-3428	1	
29	Coupling nipple (연결 니플)	330T4-3429	1	
30	Quick coupling, input (퀵 커플링, 입력)	330T4-3430	1	
31	Cap, Quick coupling, input (퀵 커플링, 입력)-커프링 캡	330T4-3431	1	
32	A Fixed plate (고정판)	330T4-3432	2	
33	Pipe Clamp (크램프)	330T4-3433	2	
34	Pipe Clamp (크램프)	330T4-3434	2	
35	Carry over (캐리오버)	330T4-3435	1	
36	Bonded Seal (본디드 씰)	330T4-3436	2	
37	Nipple (니플)	330T4-3437	2	
38	Hose (mcv carry over*distributing nipple ST) 호스(MCV 캐리오버*분배니플 ST)	330T4-3438	1	
39	Coupling nipple L (연결 니플 L)	330T4-3439	1	
40	Hose (control valve*distributing Nipple EL) (호스(컨트롤밸브*분배니플 EL))	330T4-3440	1	
41	Distributing nipple t (분배 니플 T)	330T4-3441	1	
42	Nipple (니플)	330T4-3442	1	
43	Hose (high-flow block*Oil cooler (electric)) (호스(하이플로우블럭*오일쿨러))	330T4-3443	1	

34. Hydraulic line of high flow system (하이플로우 유압라인)



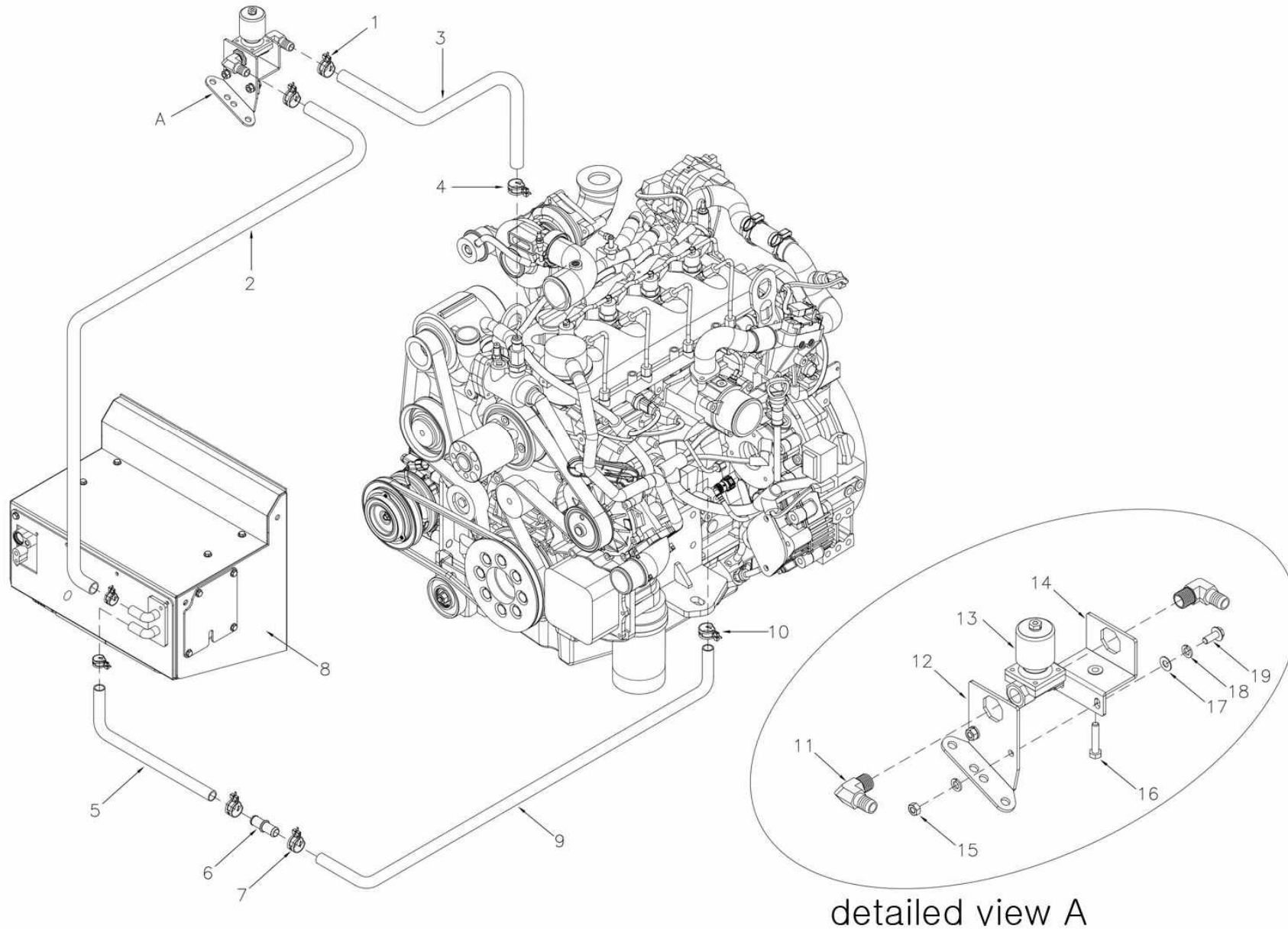
34. Hydraulic line of high flow system (하이플로우 유압라인)				
No.	Name	Part No.	Quantity	Remarks
44	Nipple (니플)	330T4-3444	2	
45	O-ring (오 링)	330T4-3445	2	
46	Hose (Oil cooler (electric)*dual filter) (호스(오일쿨러(전기식)*복합필터))	330T4-3446	1	
47	Nipple (니플)	330T4-3447	1	
48	Suction filter for hyd' oil (hyd' oil filter) (석션필터, 유압)	330T4-3448	1	
49	Hose (Oil cooler (electric)*dual filter) (호스(오일쿨러(전기식)*복합필터))	330T4-3449	1	
50	O-ring (오 링)	330T4-3450	1	
51	O-ring (오 링)	330T4-3451	1	

35. Air Conditioner system (에어컨 장치)



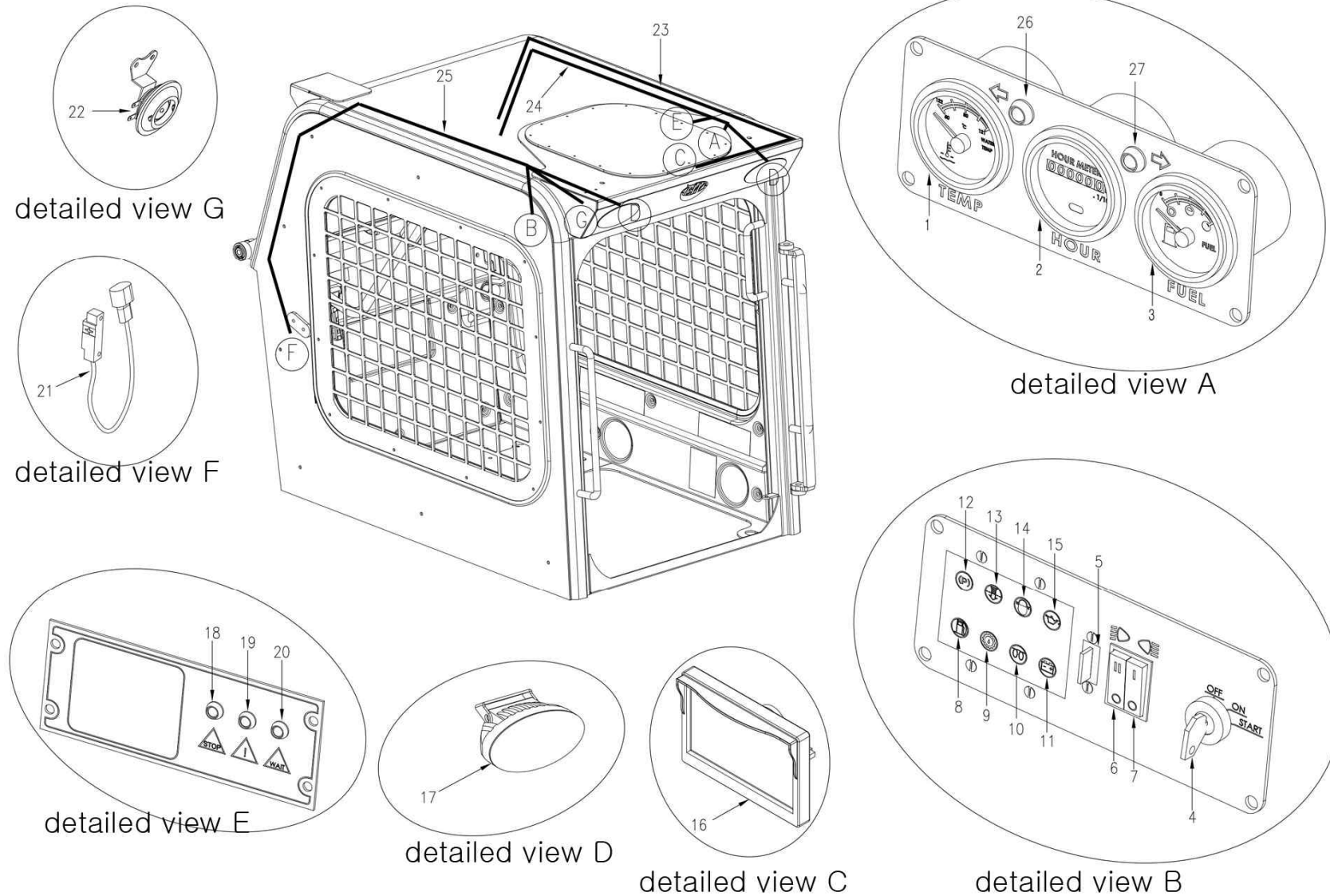
35. Air Conditioner system (에어컨 장치)				
No.	Name	Part No.	Quantity	Remarks
1	Belt (벨트)	330T4-3501	1	
2	Compressure (컴프레셔)	330T4-3502	1	
3	Tensioner ass'y (텐션 조합)	330T4-3503	1	
4	Bolt (볼트)	330T4-3504	4	
5	Pully (폴리)	330T4-3505	1	
6	Spring washer (스프링 와셔)	330T4-3506	8	
7	Bolt (볼트)	330T4-3507	8	
8	Spring washer (스프링 와셔)	330T4-3508	4	
9	Bolt (볼트)	330T4-3509	4	
10	Hose (evaporater*compressure) (호스(에바*컴프레셔))	330T4-3510	2	
11	Hose (Compressure*condenser) (호스(컴프레셔*콘덴서))	330T4-3511	1	
12	Cooler assy (condenser) (쿨러 조합(콘덴서))	330T4-3512	1	
13	Hose (evaporater*condensor) (호스(에바*컨덴서))	330T4-3513	1	
14	Front cover, Evaporater (에바 정면 커버)	330T4-3514	1	
15	Bolt (볼트)	330T4-3515	8	
16	Right cover, Evaporater (에바 우측 커버)	330T4-3516	1	
17	Left cover, Evaporater (에바 좌측 커버)	330T4-3517	1	
18	Bolt (볼트)	330T4-3518	8	
19	Bolt (볼트)	330T4-3519	4	
20	Evaporater case (에바 케이스)	330T4-3520	1	
21	Evaporater assy (에바 조합)	330T4-3521	1	

36. Heater system (히터 장치)



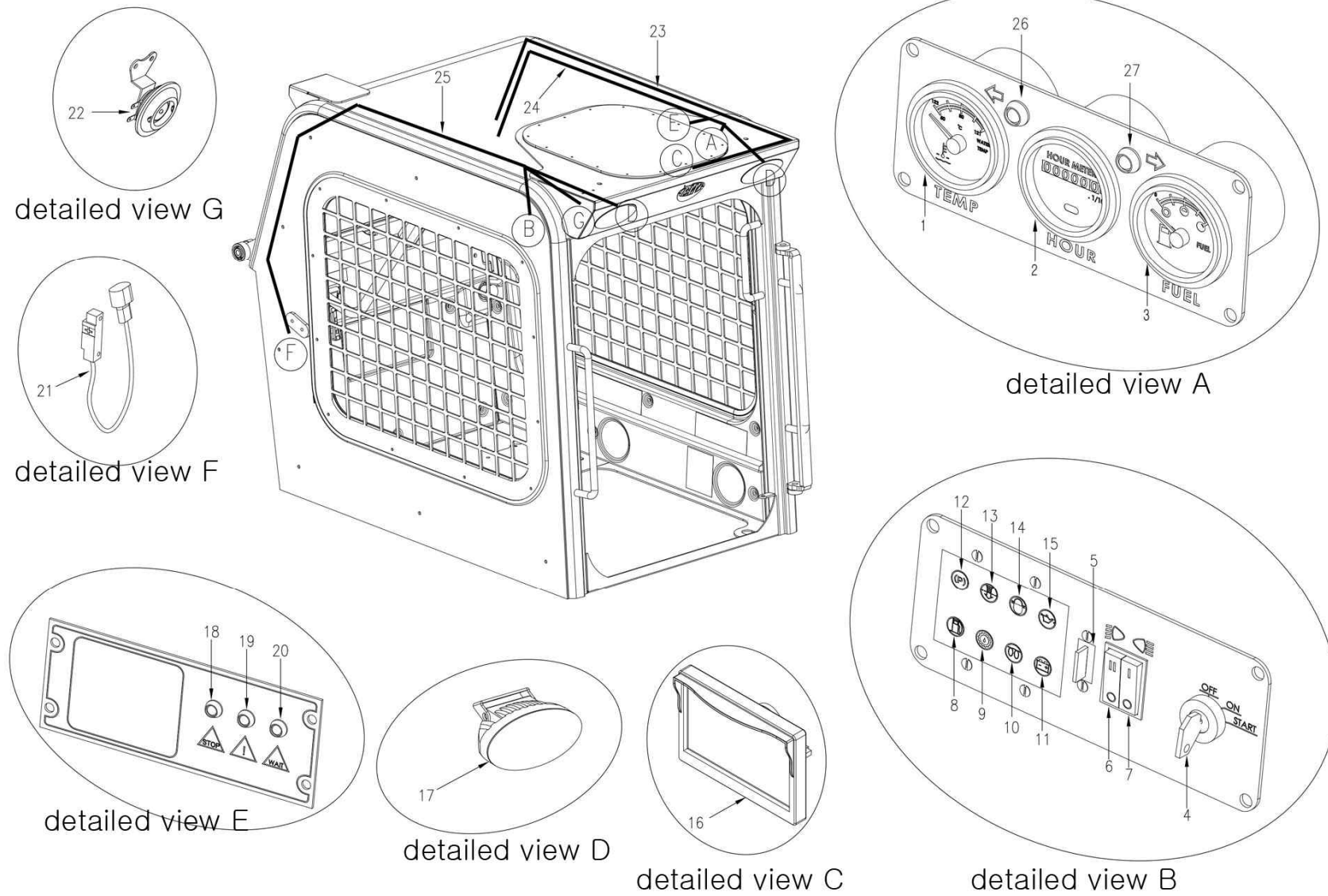
36. Heater system (히터 장치)				
No.	Name	Part No.	Quantity	Remarks
1	Clamp (클램프)	330T4-3601	3	
2	Hose (히터밸브*에바조합상)	330T4-3602	1	
3	Hose (히터밸브*엔진상)	330T4-3603	1	
4	Clamp (클램프)	330T4-3604	1	
5	Hose (에바조합하*호스연결관)	330T4-3605	1	
6	Hose coupling pipe (호스 연결관)	330T4-3606	1	
7	Clamp (클램프)	330T4-3607	3	
8	Evaporater assy (에바조합)	330T4-3608	1	
9	Hose (호스연결관*엔진하)	330T4-3609	1	
10	Clamp (클램프)	330T4-3610	1	
A	Heater valve assy (히터밸브조합)	330T4-3611A	1	
11	Hose nipple (호스니플)	330T4-3611-1	2	
12	Bracket-l (좌측 브라켓)	330T4-3611-2	1	
13	Heater valve (히터밸브)	330T4-3611-3	1	
14	Bracket-r (우측 브라켓)	330T4-3611-4	1	
15	Nut (너트)	330T4-3611-5	2	
16	Bolt (볼트)	330T4-3611-6	1	
17	Washer (와셔)	330T4-3611-7	2	
18	Spring Washer (스프링 와셔)	330T4-3611-8	4	
19	Bolt (볼트)	330T4-3611-9	2	

37. Instrument panel for canopy (계기판-기본형)



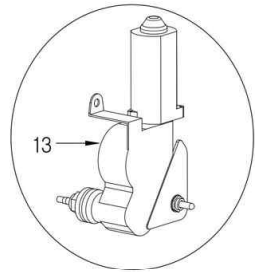
37. Instrument panel for canopy (계기판-기본형)				
No.	Name	Part No.	Quantity	Remarks
1	Water temperature gauge (수온계)	330T4-3701	1	
2	Hour meter (시간계)	330T4-3702	1	
3	Fuel gauge (연료계)	330T4-3703	1	
4	Ignition switch (점화 스위치)	330T4-3704	1	
5	Light fuse & panel fuse (라이트 퓨즈 & 계기판 퓨즈)	330T4-3705	1	
6	Light switch (라이트 스위치)	330T4-3706	1	
7	Panel switch (계기판 스위치)	330T4-3707	1	
8	Fuel level warning light (연료 수위 경고등)	330T4-3708	1	
9	Hydraulic filter warning light (유압 필터 경고등)	330T4-3709	1	
10	Preheating light (예열등)	330T4-3710	1	
11	Charging warning light (충전 경고등)	330T4-3711	1	
12	Parking warning light (주차 경고등)	330T4-3712	1	
13	Air cleaner warning light (에어크리너 경고등)	330T4-3713	1	
14	Fuel filter warning light (연료 필터 경고등)	330T4-3714	1	
15	Engine oil warning light (엔진 오일 경고등)	330T4-3715	1	
16	Real camera LCD (후방카메라용 LCD)	330T4-3716	1	
17	Light (라이트)	330T4-3717	2	
18	Engine faulty warning light (엔진 성능 결함 발생 경고등)	330T4-3718	1	
19	Engine service light (엔진 정비 필요등)	330T4-3719	1	
20	Self diagnosis system warning light (자가 진단 경고등)	330T4-3720	1	
21	Proximity sensor (근접센서)	330T4-3721	1	
22	Front horn (부저)	330T4-3722	1	
23	Main wiring harness LH (메인 배선-좌)	330T4-3723K	1	
24	Auxiliary wiring harness-LCD (보조 배선-LCD 용)	330T4-3724	1	
25	Main wiring harness, RH (메인 배선-우)	330T4-3725K	1	

37. Instrument panel for canopy (계기판-기본형)

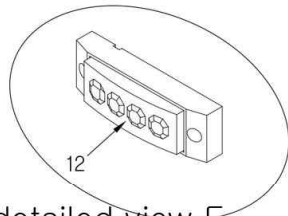


37. Instrument panel for canopy (계기판-기본형) (Cont'd) (계속)				
No.	Name	Part No.	Quantity	Remarks
26	Direction indicator light LH (방향지시등 표시등 좌)	330T4-3726	1	
27	Direction indicator light RH (방향지시등 표시등 우)	330T4-3727	1	

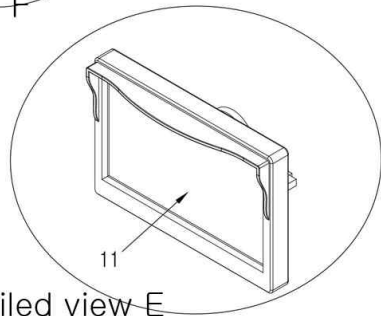
37-1. Instrument panel LH for cabin enclosure (계기판 - 캐빈형)



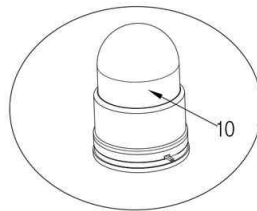
detailed view G



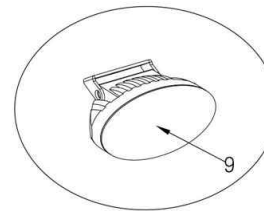
detailed view F



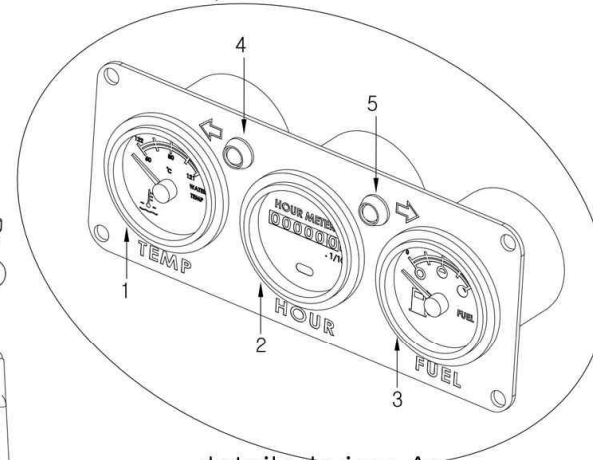
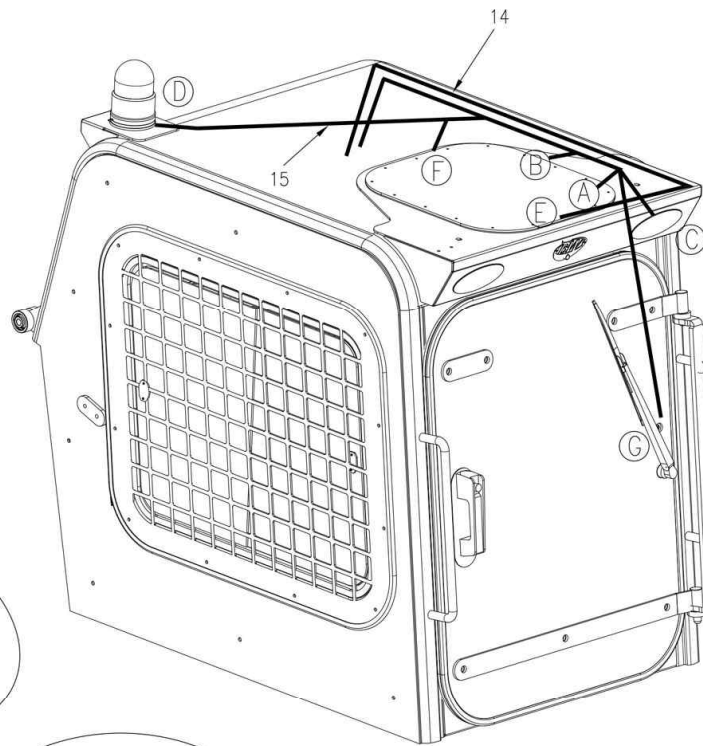
detailed view E



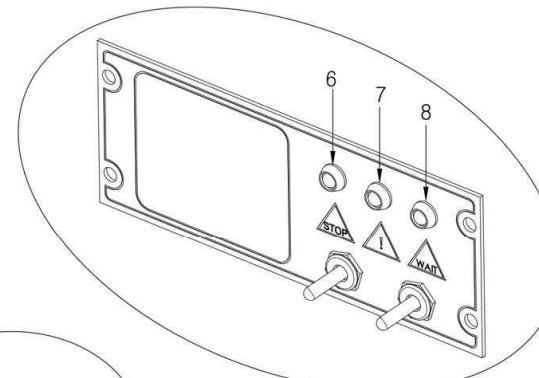
detailed view D



detailed view C



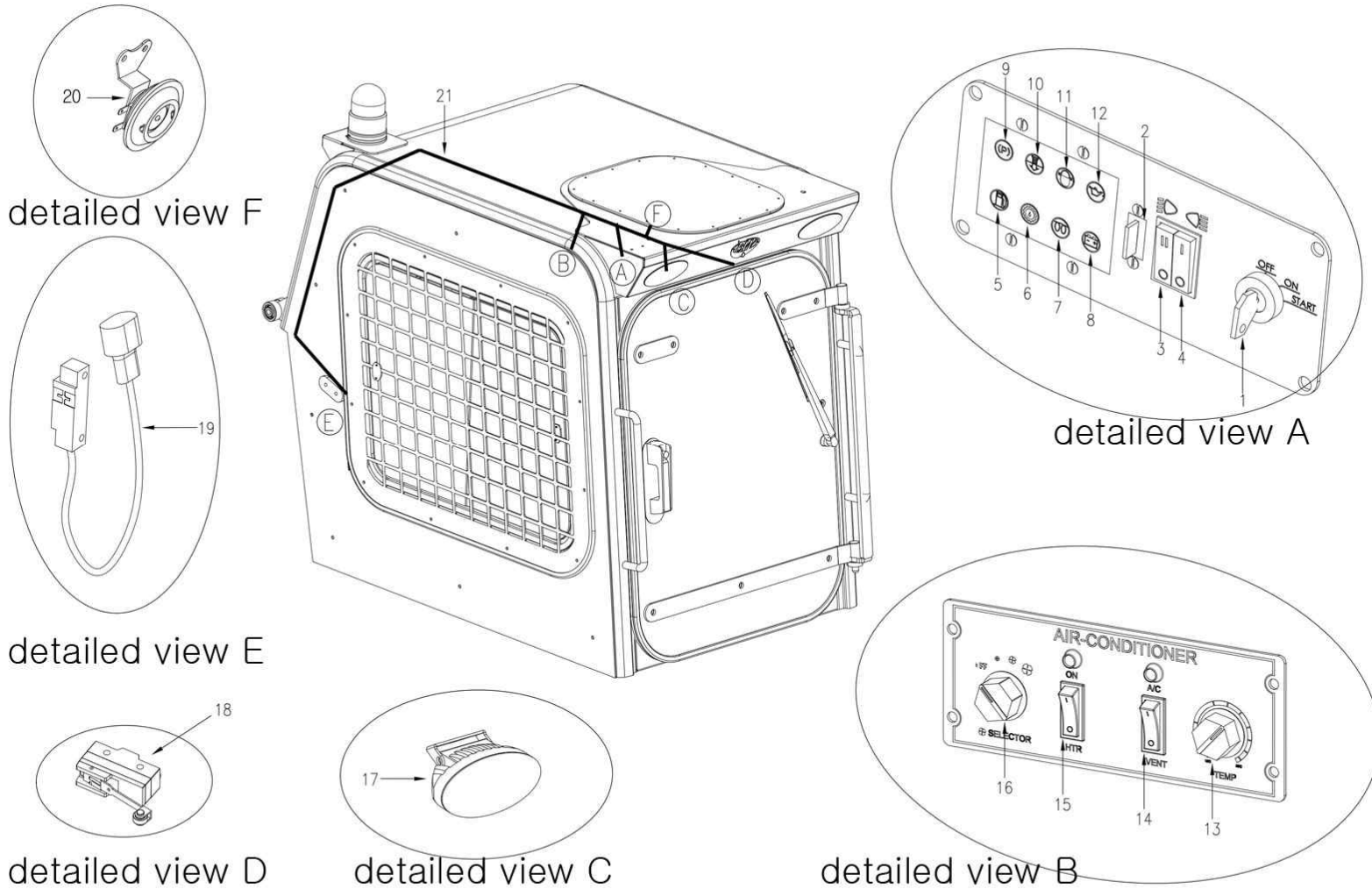
detailed view A



detailed view B

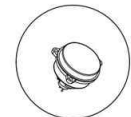
37-1. Instrument panel LH for cabin enclosure (계기판 - 캐빈형)				
No.	Name	Part No.	Quantity	Remarks
1	Water temperature gauge (수온계)	330T4-3701	1	
2	Hour meter (시간계)	330T4-3702	1	
3	Fuel gauge (연료계)	330T4-3703	1	
4	Direction indicator light LH (방향지시등 표시등 좌)	330T4-3726	1	
5	Direction indicator light RH (방향지시등 표시등 우)	330T4-3727	1	
6	Engine faulty warning light (엔진 성능 결함 발생 경고등)	330T4-3718	1	
7	Engine service light (엔진 정비 필요등)	330T4-3719	1	
8	Self control system warning light (자가 진단 경고등)	330T4-3720	1	
9	Light (라이트)	330T4-3717	2	
10	Rotating beacon (경광등) Option	330T4-3728	1	
11	Real camera LCD (후방카메라용 LCD)	330T4-3716	1	
12	Indoor lighting (실내등)	330T4-3729	1	
13	Motor assy for window brush (윈도우 브러쉬용 모터)	330T4-3730	1	
14	Auxiliary wiring harness-LCd (보조 배선-LCD 용)	330T4-3724	1	
15	Main wiring harness LH (메인 배선-좌)	330T4-3723K	1	

37-2. Instrument panel RH for cabin enclosure (계기판 - 캐빈형)

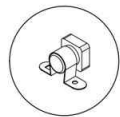


37-2. Instrument panel RH for cabin enclosure (계기판 - 캐빈형)				
No.	Name	Part No.	Quantity	Remarks
1	Ignition switch (점화 스위치)	330T4-3704	1	
2	Light fuse & panel fuse (라이트 퓨즈 & 계기판 퓨즈)	330T4-3705	1	
3	Light switch (라이트 스위치)	330T4-3706	1	
4	Panel switch (계기판 스위치)	330T4-3707	1	
5	Fuel level warning light (연료 수위 경고등)	330T4-3708	1	
6	Hydraulic filter warning light (유압 필터 경고등)	330T4-3709	1	
7	Preheating light (예열등)	330T4-3710	1	
8	Charging warning light (충전 경고등)	330T4-3711	1	
9	Parking warning light (주차 경고등)	330T4-3712	1	
10	Air cleaner warning light (에어크리너 경고등)	330T4-3713	1	
11	Fuel filter warning light (연료 필터 경고등)	330T4-3714	1	
12	Engine oil warning light (엔진 오일 경고등)	330T4-3715	1	
13	Heater temperature level device (히터 온도 조절 장치)	330T4-3731	1	
14	Heater ON/OFF switch (히터 ON/OFF 스위치)	330T4-3732	1	
15	Air conditioner ON/OFF switch (에어컨 ON/OFF 스위치)	330T4-3733	1	
16	Air conditioner level device (에어컨 바람 세기 조절 장치)	330T4-3734	1	
17	Light RH (라이트)-RH	330T4-3717	2	
18	Limit switch (리밋 스위치)	330T4-3735	1	
19	Proximity sensor (근접센서)	330T4-3721	1	
20	Front horn (부저)	330T4-3722	1	
21	Main wiring harness, RH (메인 배선-우)	330T4-3725K	1	

38. Electrical system (전기 장치)



1 부분상세도



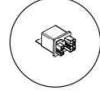
9 부분상세도



17 부분상세도



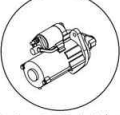
2 부분상세도



10 부분상세도



3 부분상세도



11 부분상세도



4 부분상세도



5 부분상세도



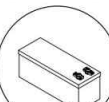
6 부분상세도



7 부분상세도



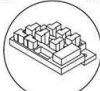
8 부분상세도



14 부분상세도



15 부분상세도



16 부분상세도



18 부분상세도



20 부분상세도



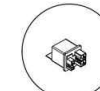
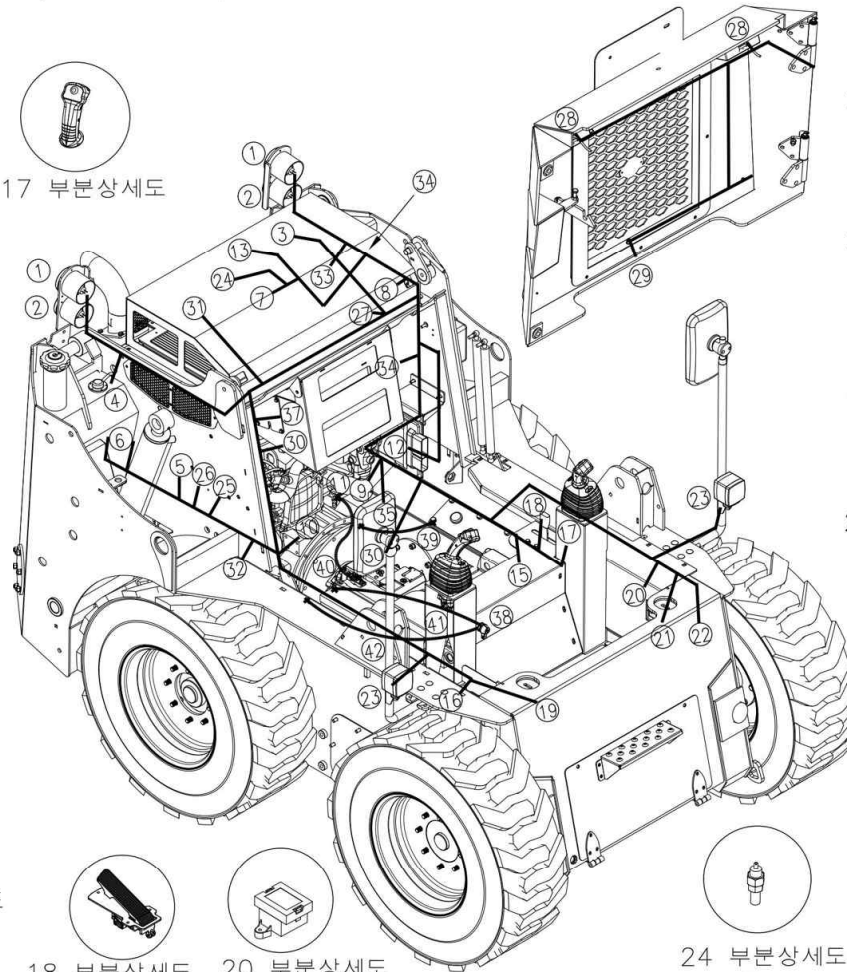
19 부분상세도



22 부분상세도



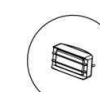
23 부분상세도



26 부분상세도



27 부분상세도



28 부분상세도



29 부분상세도



30 부분상세도



31 부분상세도



24 부분상세도



33 부분상세도



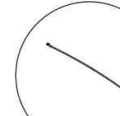
25 부분상세도



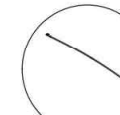
38 부분상세도



39 부분상세도



40 부분상세도



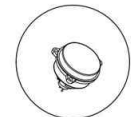
41 부분상세도



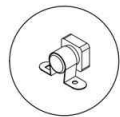
42 부분상세도

38. Electrical system (전기 장치)				
No.	Name	Part No.	Quantity	Remarks
1	Direction indicator (LH, RH)	330T4-3801	2	
2	Rear combination light (LH,RH)	330T4-3802	2	
3	Hydraulic oil cooler (유압 오일 쿨러)	330T4-3803	1	
4	Fuel sensor (연료 센서)	330T4-3804	1	
5	Back up alarm (백업알람)	330T4-3805	1	
6	Fuel filter (heater/water warning system included) (연료필터(히터/수분경고내장))	330T4-3806	1	
7	Alternator (알터네이터)	330T4-3807	1	
8	Air cleaner sensor (에어크리너 센서)	330T4-3808	1	
9	Start relay (스타트 릴레이)	330T4-3809	1	
10	Preheating relay (예열 릴레이)	330T4-3810	1	
11	Start motor (스타트모터)	330T4-3811	1	
14	Battery (배터리)	330T4-3814	1	
15	Back up alarm switch (백부저 스위치)	330T4-3815	1	
16	Relay box (릴레이박스)	330T4-3816	1	
17	Hand control joystick (핸드 콘트롤 조이스틱)	330T4-3817	1	
18	Hand accelerator (핸드 악셀레이터)	330T4-3818	1	
19	Foot accelerator (풋 악셀레이터)	330T4-3819	1	
20	Fuse box I (퓨즈박스 I)	330T4-3820	1	
22	Proximity sensor (-) control (근접센서(-)제어용)	330T4-3822	1	
23	Front combination light (전방 콤비 램프(LH,RH))	330T4-3823	2	
24	Water temperature sensor (수온센서)	330T4-3824	1	

38. Electrical system (전기 장치)



1 부분상세도



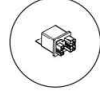
9 부분상세도



17 부분상세도



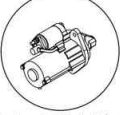
2 부분상세도



10 부분상세도



3 부분상세도



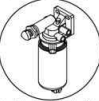
7 부분상세도



4 부분상세도



5 부분상세도



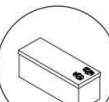
6 부분상세도



7 부분상세도



8 부분상세도



14 부분상세도



15 부분상세도



16 부분상세도



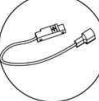
18 부분상세도



20 부분상세도



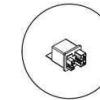
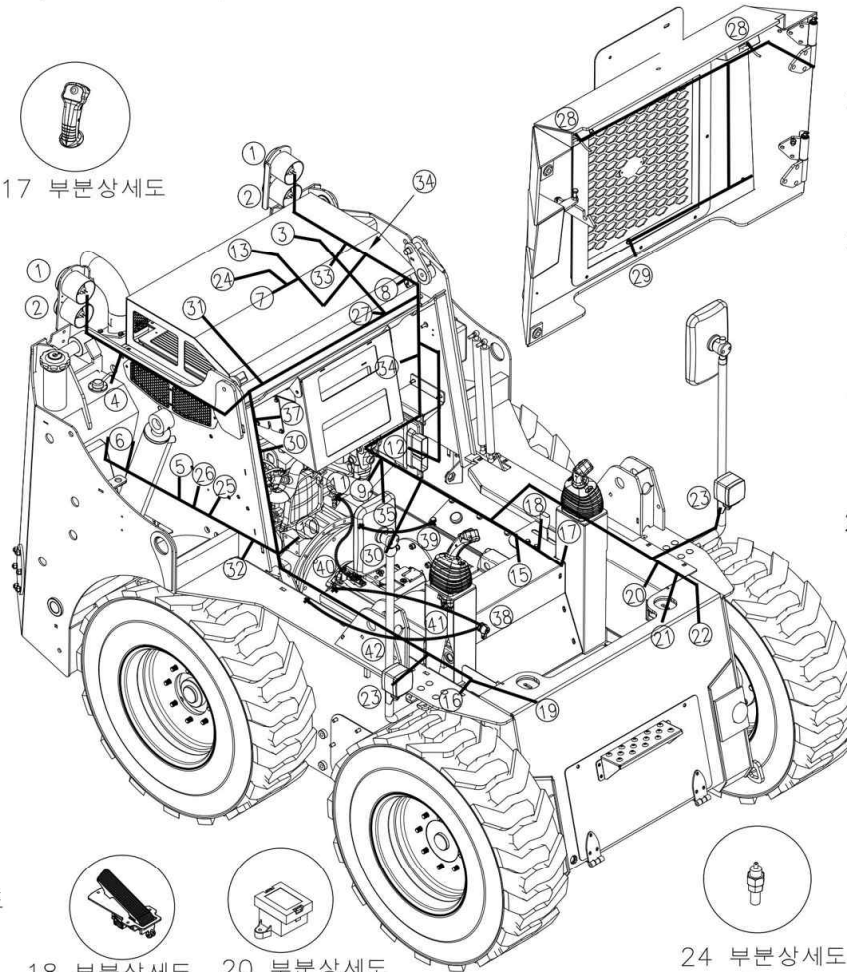
19 부분상세도



22 부분상세도



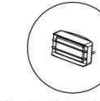
23 부분상세도



26 부분상세도



27 부분상세도



28 부분상세도



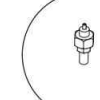
29 부분상세도



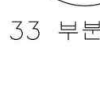
30 부분상세도



31 부분상세도



24 부분상세도



33 부분상세도



25 부분상세도



38 부분상세도



39 부분상세도



40 부분상세도



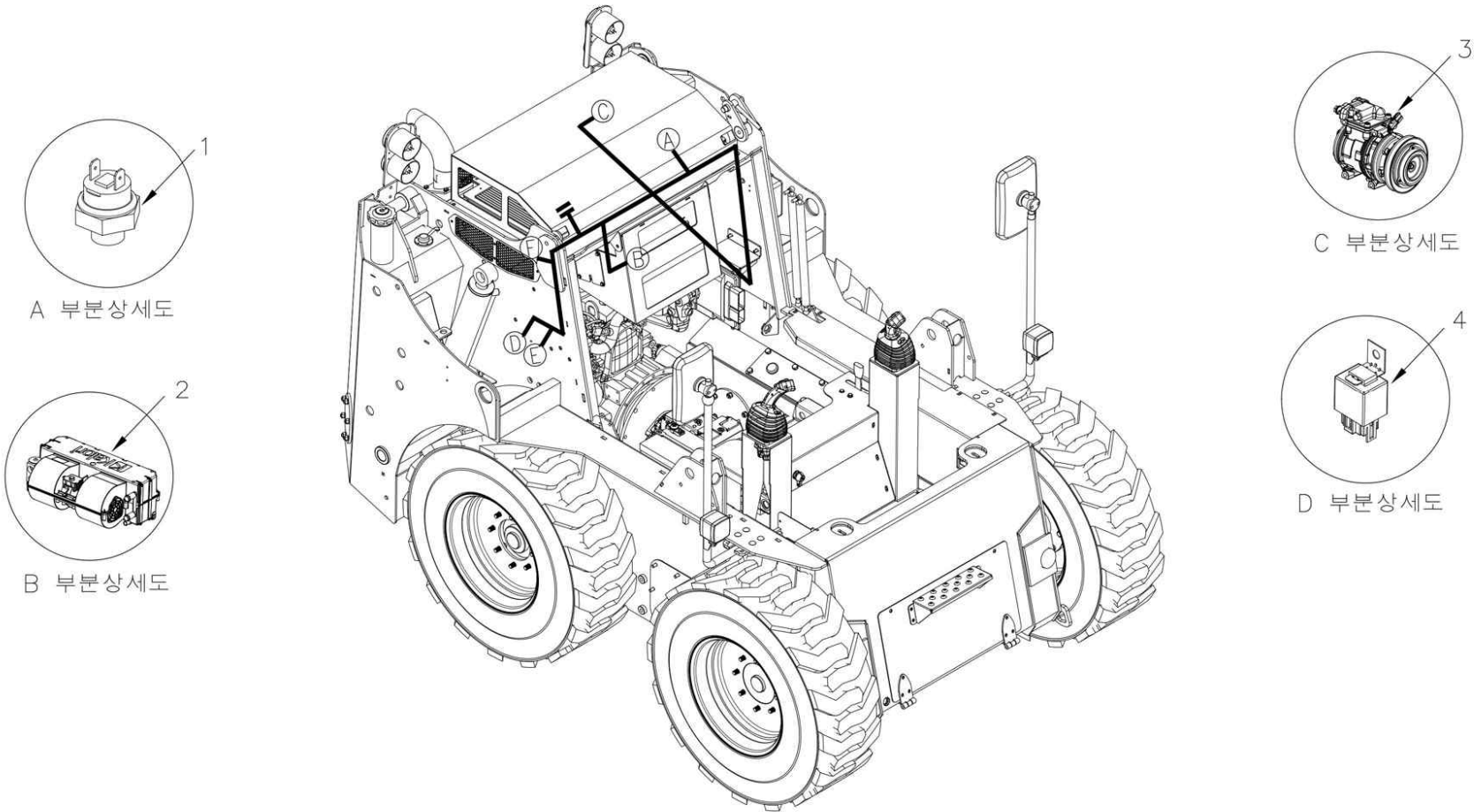
41 부분상세도



42 부분상세도

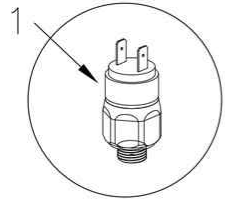
38. Electrical system (전기 장치) (Cont'd) (계속)				
No.	Name	Part No.	Quantity	Remarks
25	Cooler fan motor relay (쿨러 팬 모터 릴레이)	330T4-3825	1	
26	Safety 5P relay (안전장치 5P 릴레이)	330T4-3826	1	
27	Hydraulic oil cooler switch (유압오일쿨러 스위치)	330T4-3827	1	
28	Rear working light (후방 작업등-LH,RH)	330T4-3828	1	
29	Rear camera (후방카메라)	330T4-3829	1	Option
30	Brake switch (브레이크 스위치)	330T4-3830	1	
31	condenser fan, air conditioner (콘덴서 팬-에어컨)	330T4-3831	1	
32	joint connector, Option (조인트커넥터-옵션)	330T4-3832	1	
33	Hydraulic oil sensor, Option (유압오일센서-옵션)	330T4-3833	1	
34	Spare connector (예비커넥터)	330T4-3834	1	
35	Joystick pilot sol-connector (조이스틱 파일럿 솔커넥터)	330T4-3835	1	
36	Air conditioner main connector (에어컨 메인 커넥터)	330T4-3836	1	
37	Air conditioner condenser connector (에어컨 컨덴서 커넥터)	330T4-3837	1	
38	Battery switch (배터리 스위치)	330T4-3838	1	
39	Earth cable (차체 접지선(엔진-차체))	330T4-3839	1	
40	Start motor main cable (스타트모터 본선(스타트모터-배터리+))	330T4-3840	1	
41	Battery - cable (배터리 - 선(엔진-배터리스위치))	330T4-3841	1	
42	Battery switch cable (배터리 스위치선(배터리 스위치-엔진))	330T4-3842	1	
43	Main wiring harness (메인배선)	330T4-3843K	1	

39. Electrical system for air conditioner (전기장치-에어컨)

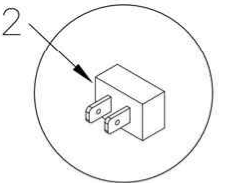


39. Electrical system for air conditioner (전기장치-에어컨)				
No.	Name	Part No.	Quantity	Remarks
1	Air conditioner gas pressure switch (에어컨 가스 압력 스위치)	330T4-3901	1	
2	Air conditioner air circulator (에어컨 공기 순환기)	330T4-3902	1	
3	Air conditioner compressure (에어컨 콤프레셔)	330T4-3903	1	
4	Relay (릴레이)	330T4-3904	1	

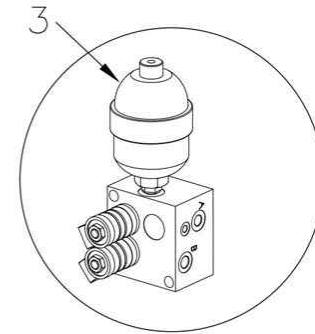
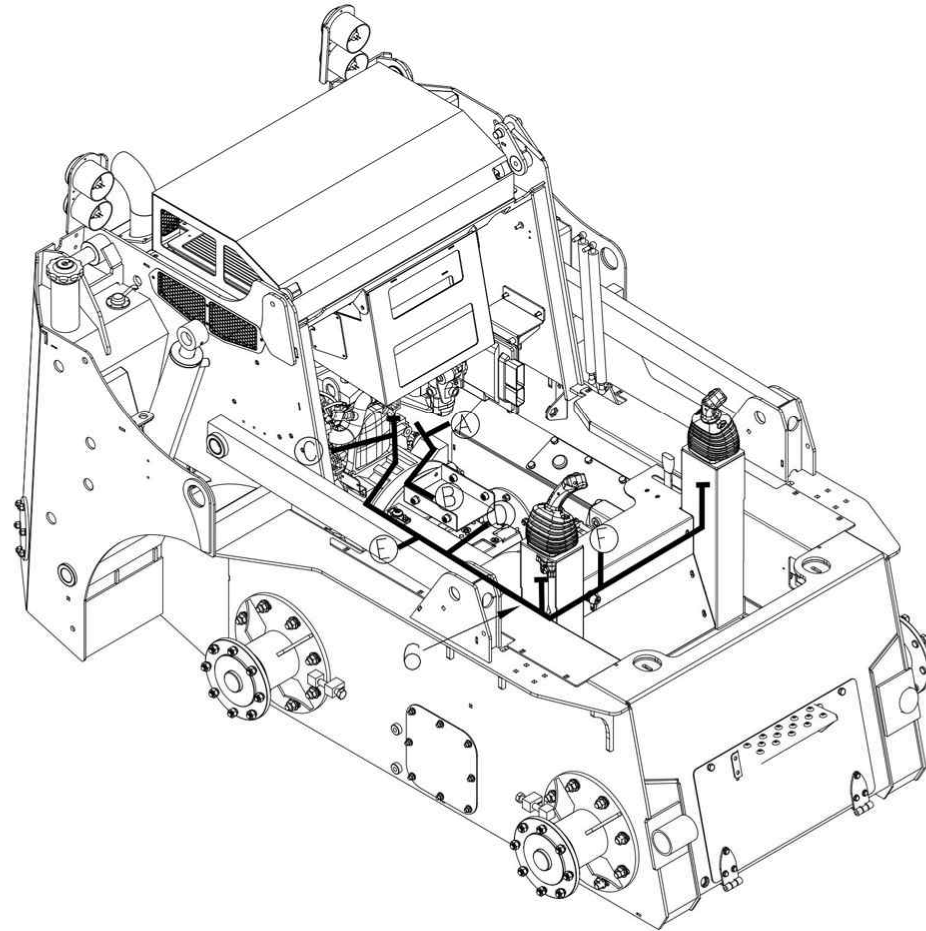
40. Brake & Solenoid Line (브레이크 & 솔레노이드 배선)



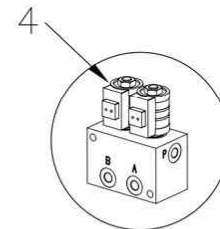
detailed view A



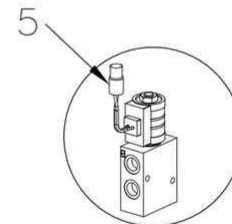
detailed view B



detailed view C



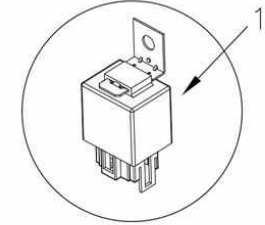
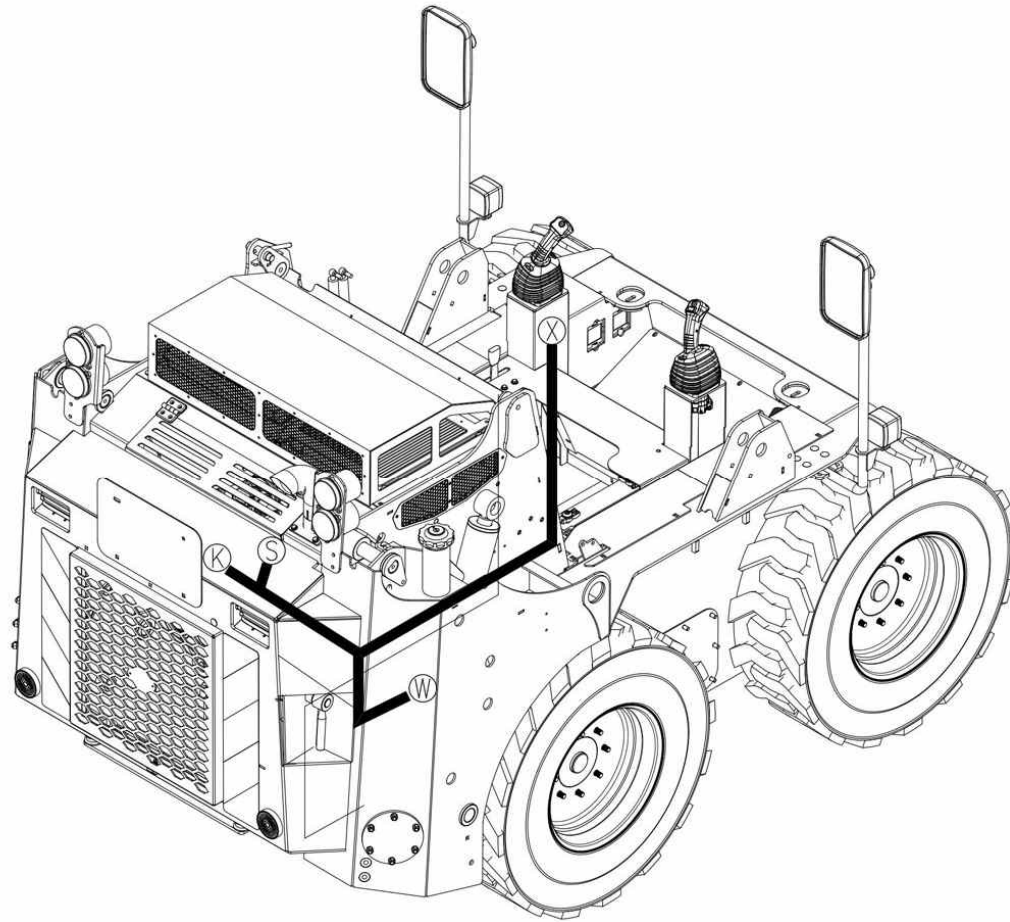
detailed view D



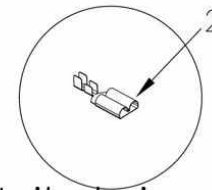
detailed view E

40. Brake & Solenoid Line (브레이크 & 솔레노이드 배선)				
No.	Name	Part No.	Quantity	Remarks
1	Brake light pilot switch (브레이크 파일럿 스위치)	330T4-4001	1	
2	Fuse, cooler Fan (쿨러팬 퓨즈)	330T4-4002	1	
3	Main solenoid valve (메인 솔레노이드 밸브)	330T4-4003	1	
4	Aux. hydraulic solenoid valve (보조 유압 솔레노이드 밸브)	330T4-4004	1	
5	4way solenoid valve (4way 솔레노이드 밸브)	330T4-4005	1	

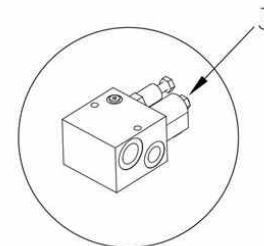
41. Electrical system for Hi-flow (전기장치부-하이플로우)



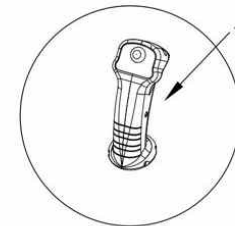
detailed view K



detailed view S



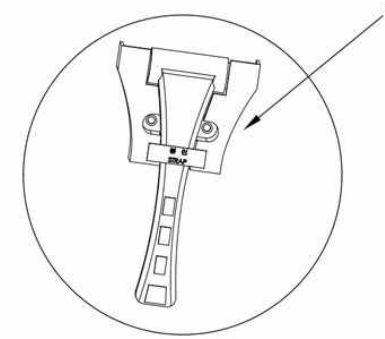
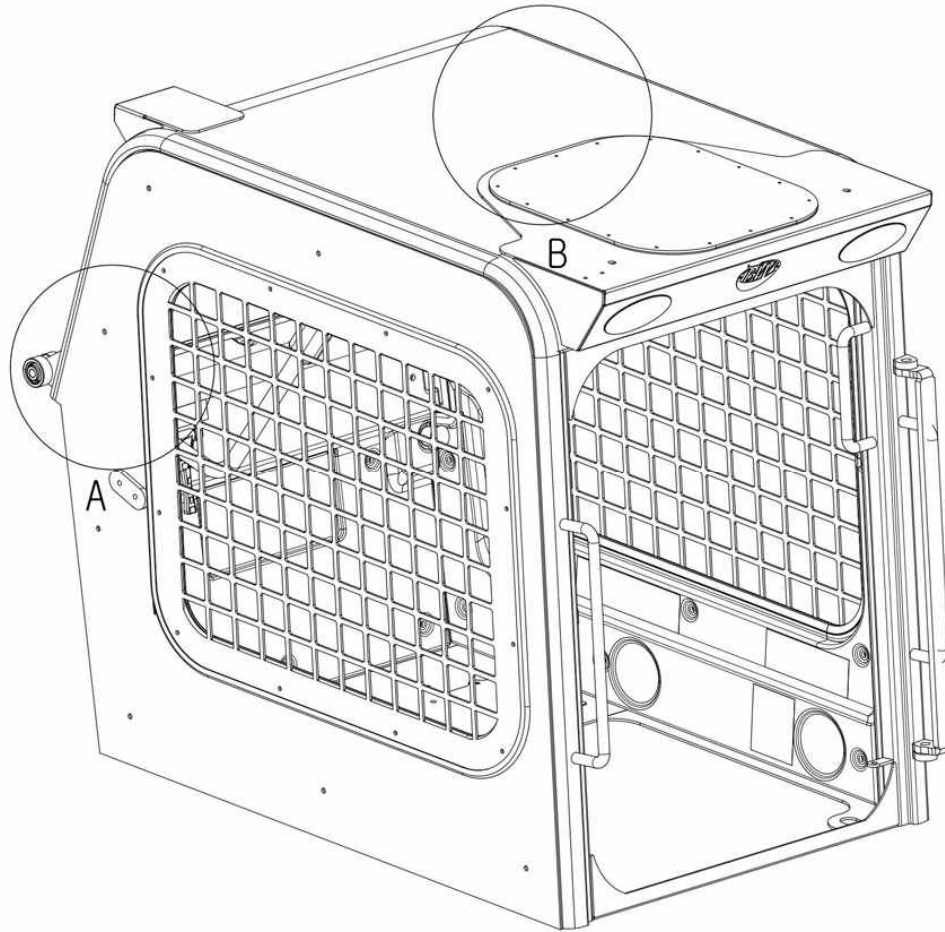
detailed view W



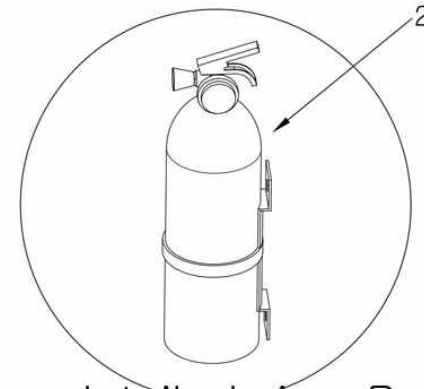
detailed view X

41. Electrical system for Hi-flow (전기장치부-하이플로우)				
No.	Name	Part No.	Quantity	Remarks
1	Hi-flow relay (하이플로우 릴레이)	330T4-4101	1	
2	Fuse box connector (퓨즈박스 연결 케넥터)	330T4-4102	1	
3	Hi-flow block (하이플로우 블록)	330T4-4103	1	
4	Hi-flow switch (하이플로우 스위치(주행 레버스위치))	330T4-4104	1	

43. Safety device (안전 장치)



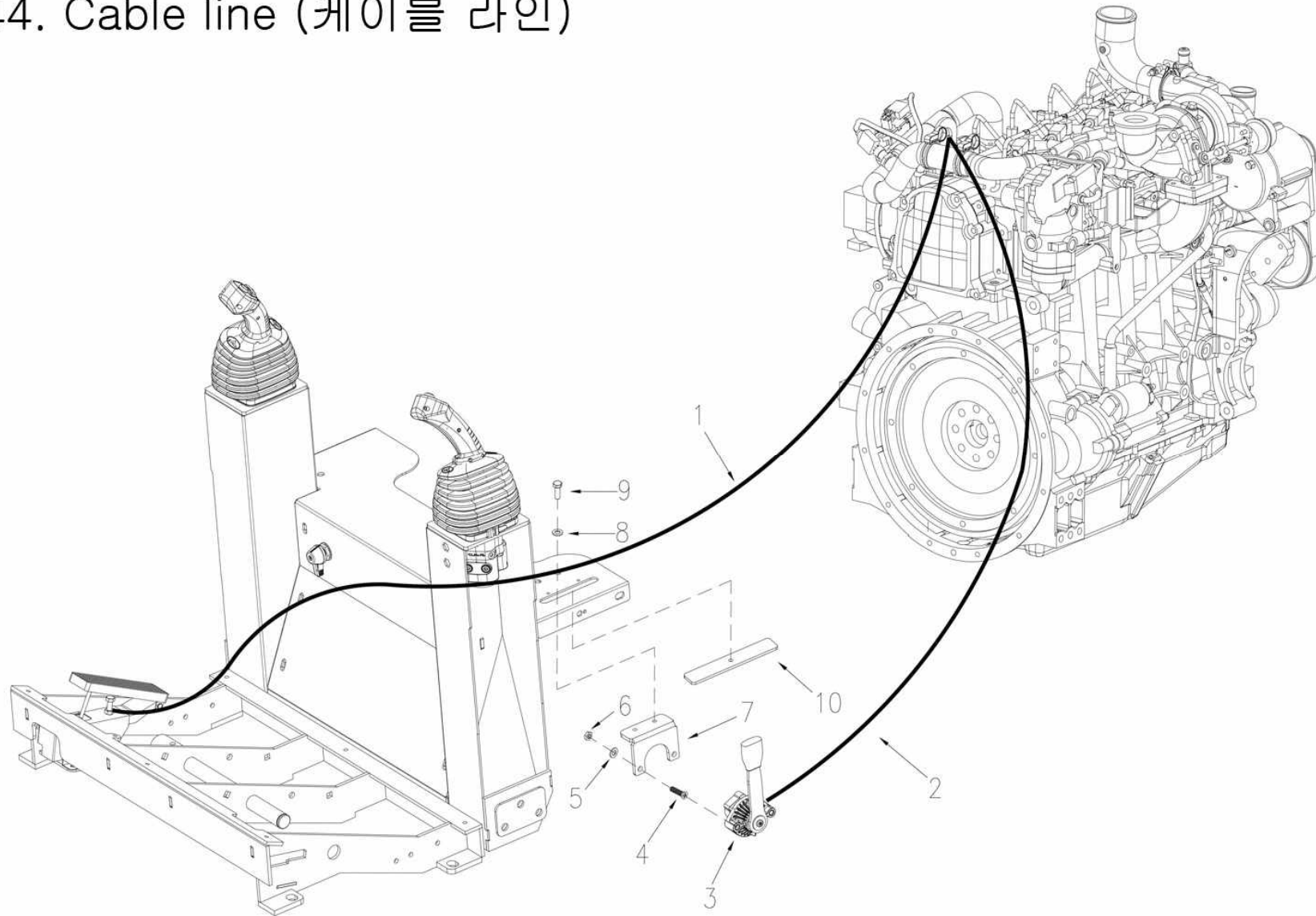
detailed view A



detailed view B

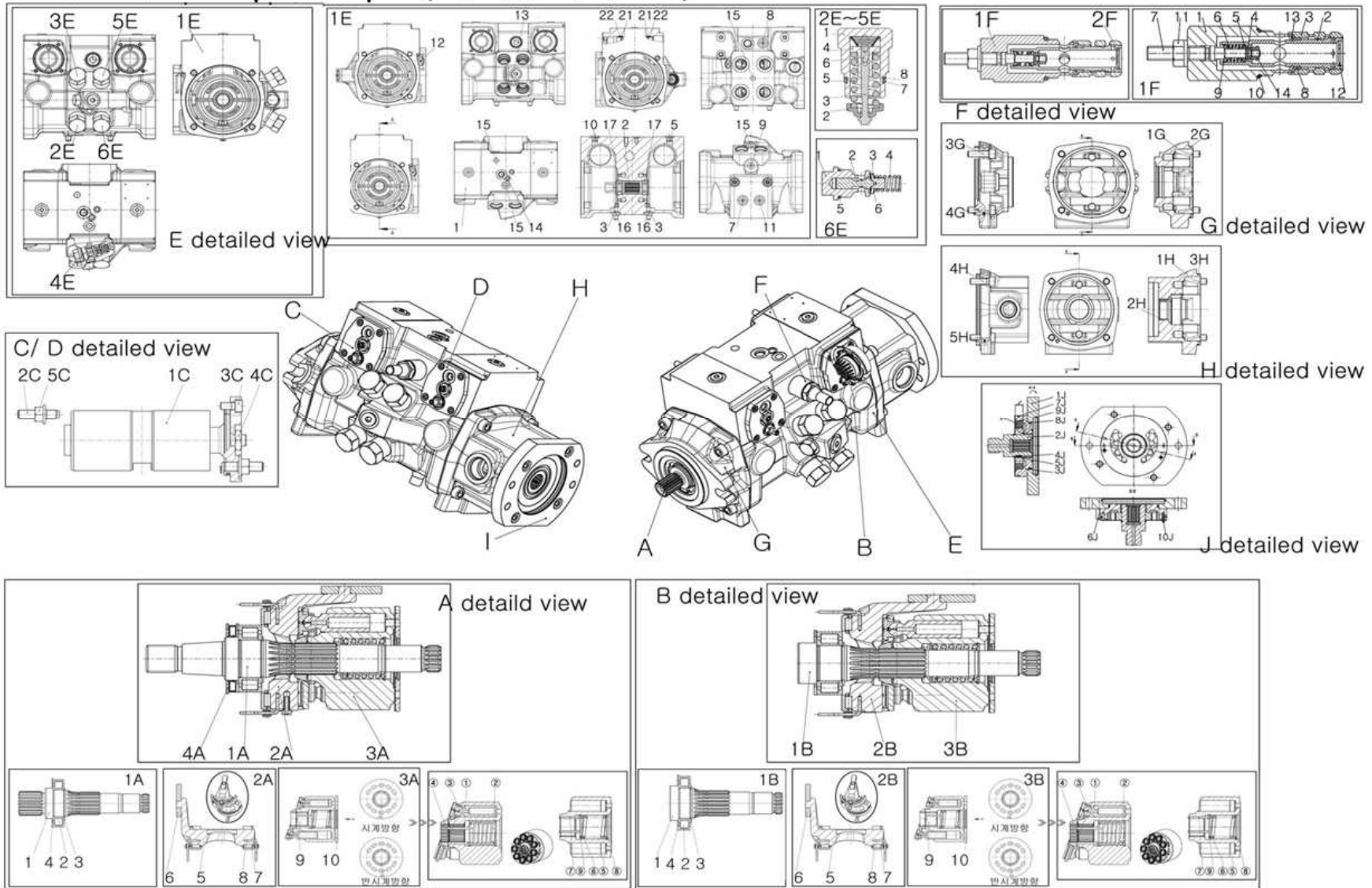
43. Safety device (안전 장치)				
No.	Name	Part No.	Quantity	Remarks
1	Hammer (망치)	330T4-4301	1	
2	Fire extinguisher (소화기)	330T4-4302	1	

44. Cable line (케이블 라인)



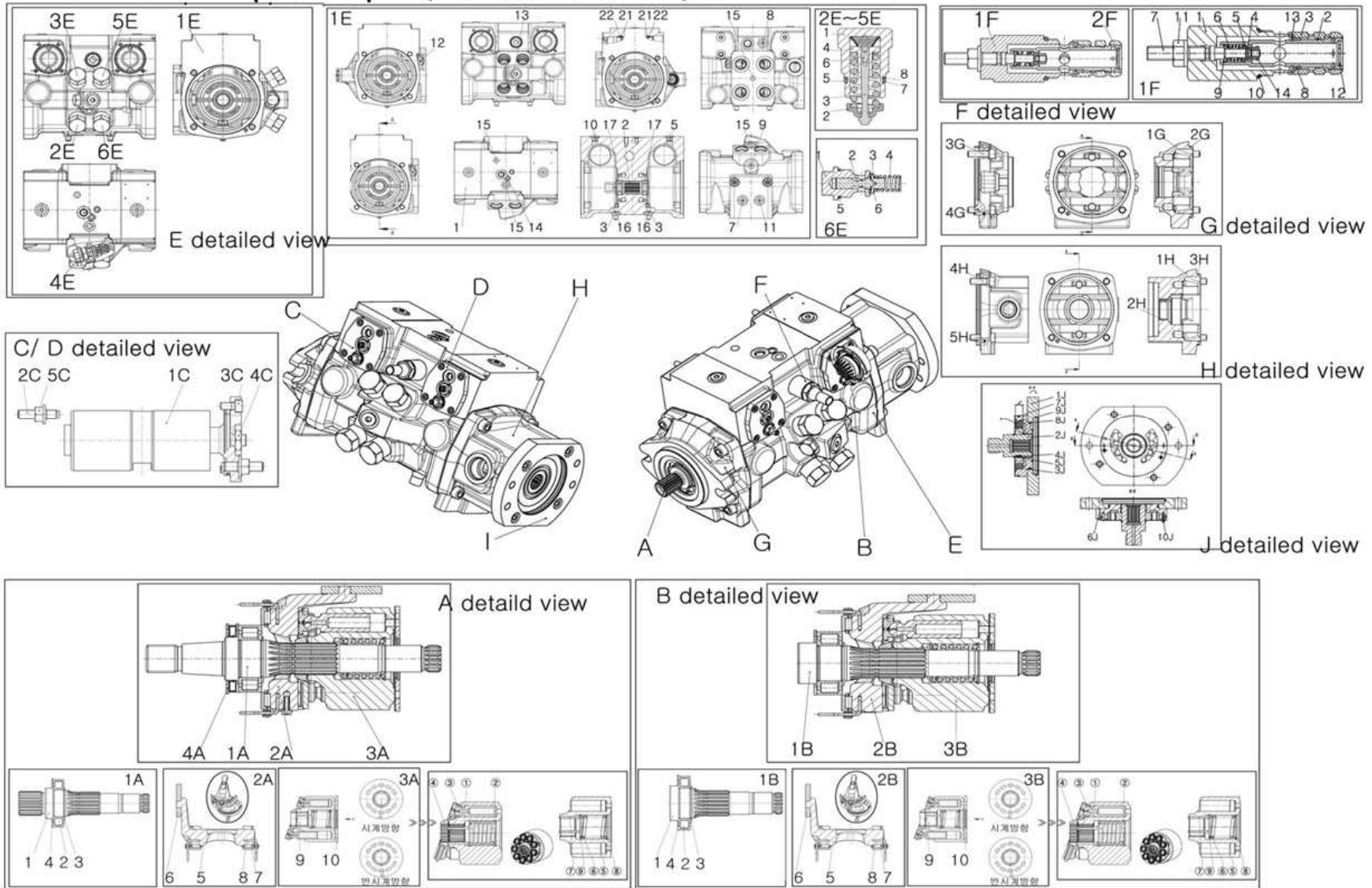
44. Cable line (케이블 라인)				
No.	Name	Part No.	Quantity	Remarks
1	Foot accelerator cable (풋 악셀 케이블)	330T4-4401	1	
2	Accelerator cable ass'y (조속 케이블 조합)	330T4-4402	1	
3	Accelerator lever ass'y (조속 레버 조합)	330T4-4403	1	
4	Flat bolt (접시 볼트)	330T4-4404	1	
5	Washer (와셔)	330T4-4405	3	
6	Nut (너트)	330T4-4406	1	
7	Bracket for acceleator lever (조속 레버용 브라켓)	330T4-4407	1	
8	Washer (와셔)	330T4-4408	3	
9	Bolt (볼트)	330T4-4409	3	
10	Rubber cover (고무 덮개)	330T4-4410	1	

45. Drive pump (구동 펌프)



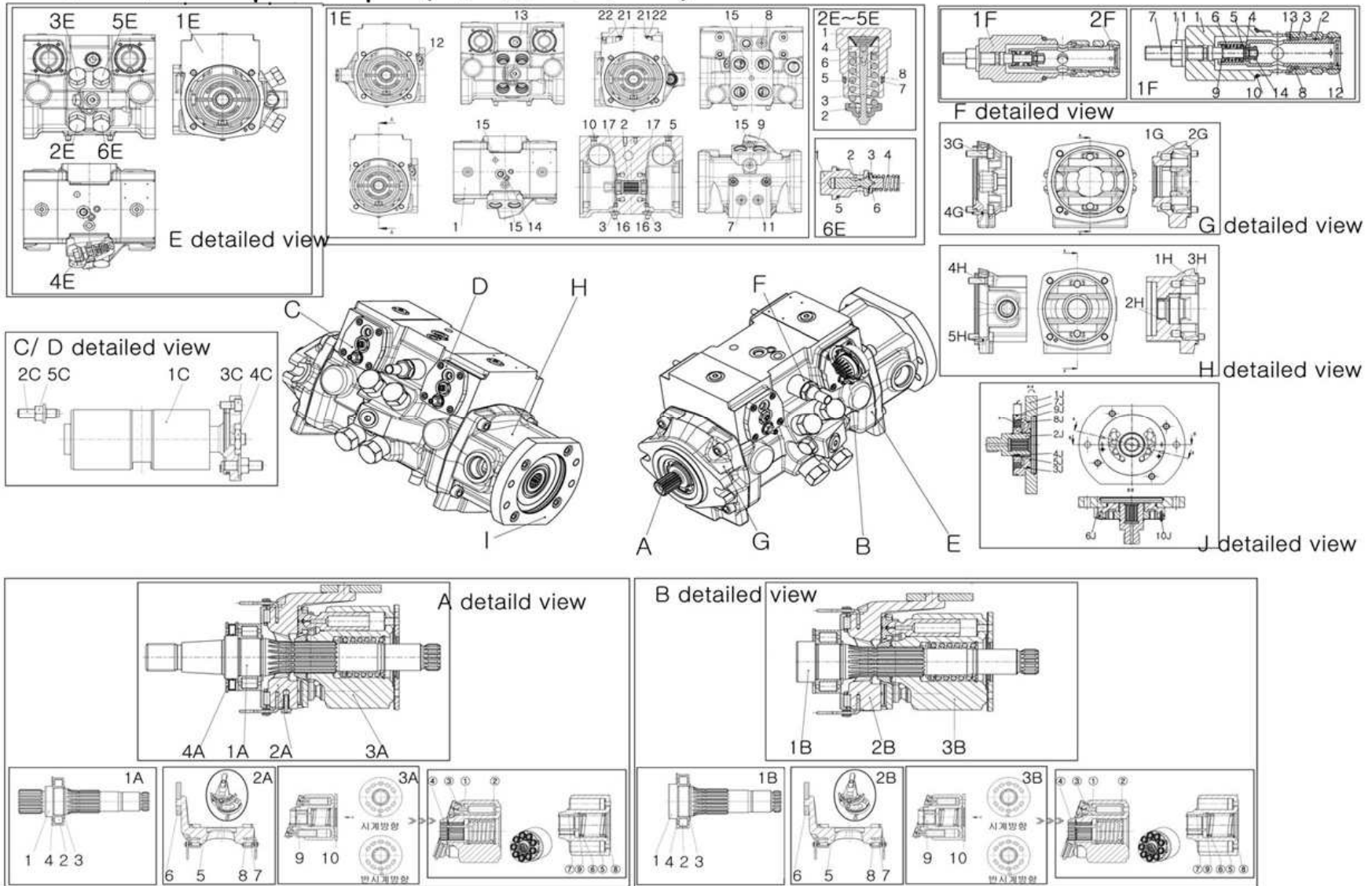
45. Drive pump, Rex Roth (구동 펌프)				
No.	Name	Part No.	Quantity	Remarks
A	Triebwerk (트립베르크) AA22VG-45	R902199804	1	
1A	Drive shaft with bearing	R902195142	1	
1	Drive shaft	R902061923	1	
2	Plain roller bearing	R913011777	1	
3	Retaining ring	R909083360	1	
4	Seeger V ring	R909832149	1	
2A	Cradle	R902195140	1	
5	Cradle R pop	R902146663	1	
6	Slide ring	R902051397	1	
7	Bearing liner	R902085005	1	
8	Cradle bearing assy	R902603571	1	
3A	TW A22VG45R22 HYDR. Teil 45GRAD LH	R902491495	1	
9	Rotary group, hydr section	R902491494	1	
①	Piston-slipper pad	R902146883	1	
①	Piston-slipper pad	R902087180	1	
②	Cylinder kit	R902504905	1	
⑤	Cylinder	R902484762	1	
⑥	Spring	R902400724	1	
⑦	Pressure pin	R902400725	1	
⑧	Seeger v ring	R902400726	1	
⑨	Back up ring	R902400727	1	
③	Rueckzug plate	R902486988	1	
④	Retaining ball	R902436450	1	
10	Valve plate	R902188425	1	
4A	Seal kit for rotary group	R902195103	1	

45. Drive pump (구동 펌프)



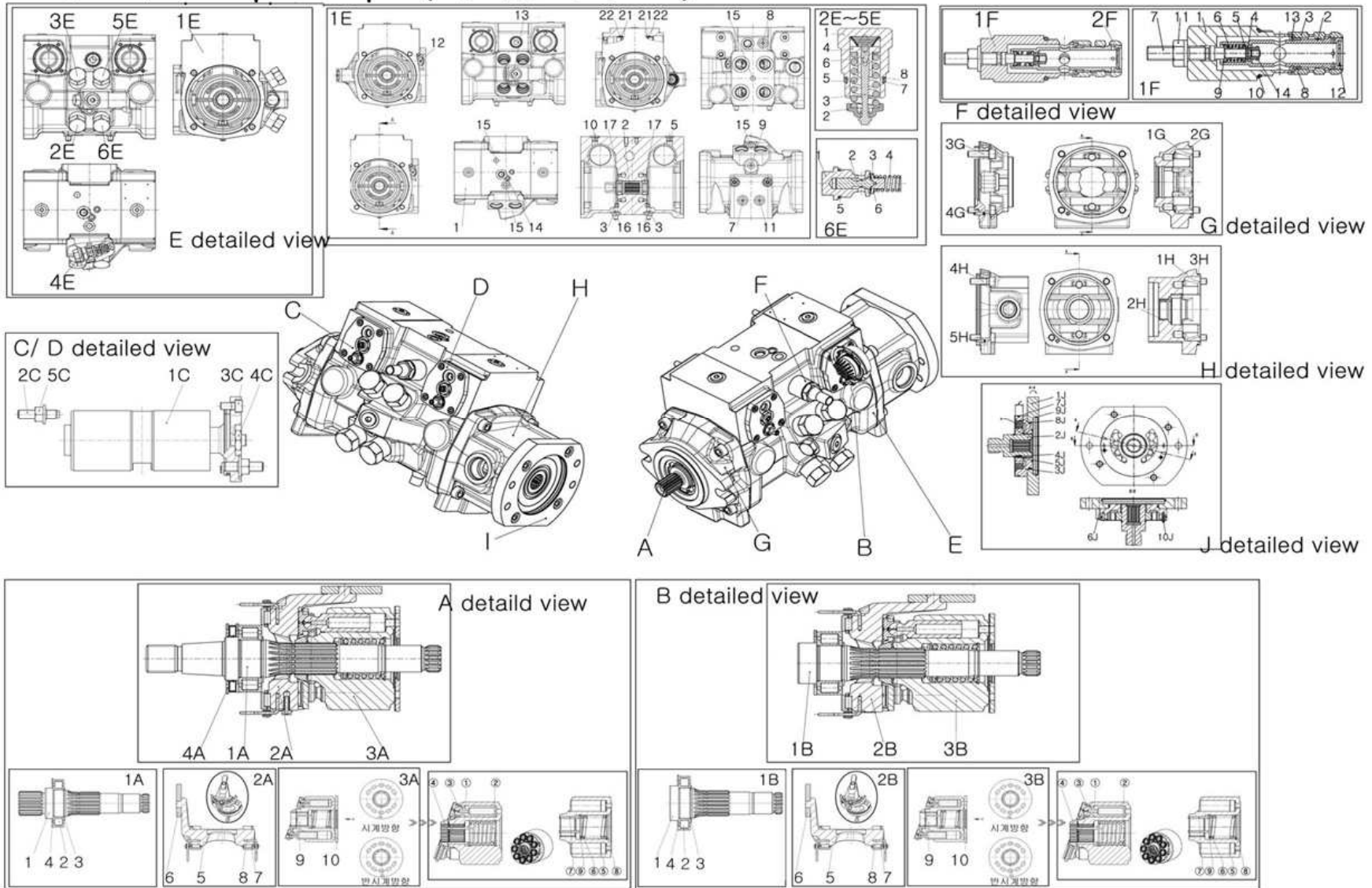
45. Drive pump (구동 펌프) (Cont'd) (계속)				
No.	Name	Part No.	Quantity	Remarks
B	Triebwerk (트립베르크)	R902199805	1	
1B	Drive shaft with bearing	R902195108	1	
1	Drive shaft	R902087240	1	
2	Plain roller bearing	R913011777	1	
3	Retaining ring	R909083360	1	
4	Seeger V ring	R909832149	1	
2B	Cradle	R902195140	1	
5	Cradle R pop	R902146663	1	
6	Slide ring	R902051397	1	
7	Bearing liner	R902085005	1	
8	Cradle bearing assy	R902603571	1	
3B	TW A22VG45R22 HYDR. Teil 45GRAD LH	R902491495	1	
9	Rotary group, hydr section	R902491494	1	
①	Piston-slipper pad	R902146883	1	
①	Piston-slipper pad	R902087180	1	
②	Cylinder kit	R902504905	1	
⑤	Cylinder	R902484762	1	
⑥	Spring	R902400724	1	
⑦	Pressure pin	R902400725	1	
⑧	Seeger v ring	R902400726	1	
⑨	Back up ring	R902400727	1	
③	Rueckzug plate	R902486988	1	
④	Retaining ball	R902436450	1	
10	Valve plate	R902188424	1	
C	Hydraulic control	R902198999	1	

45. Drive pump (구동 펌프)



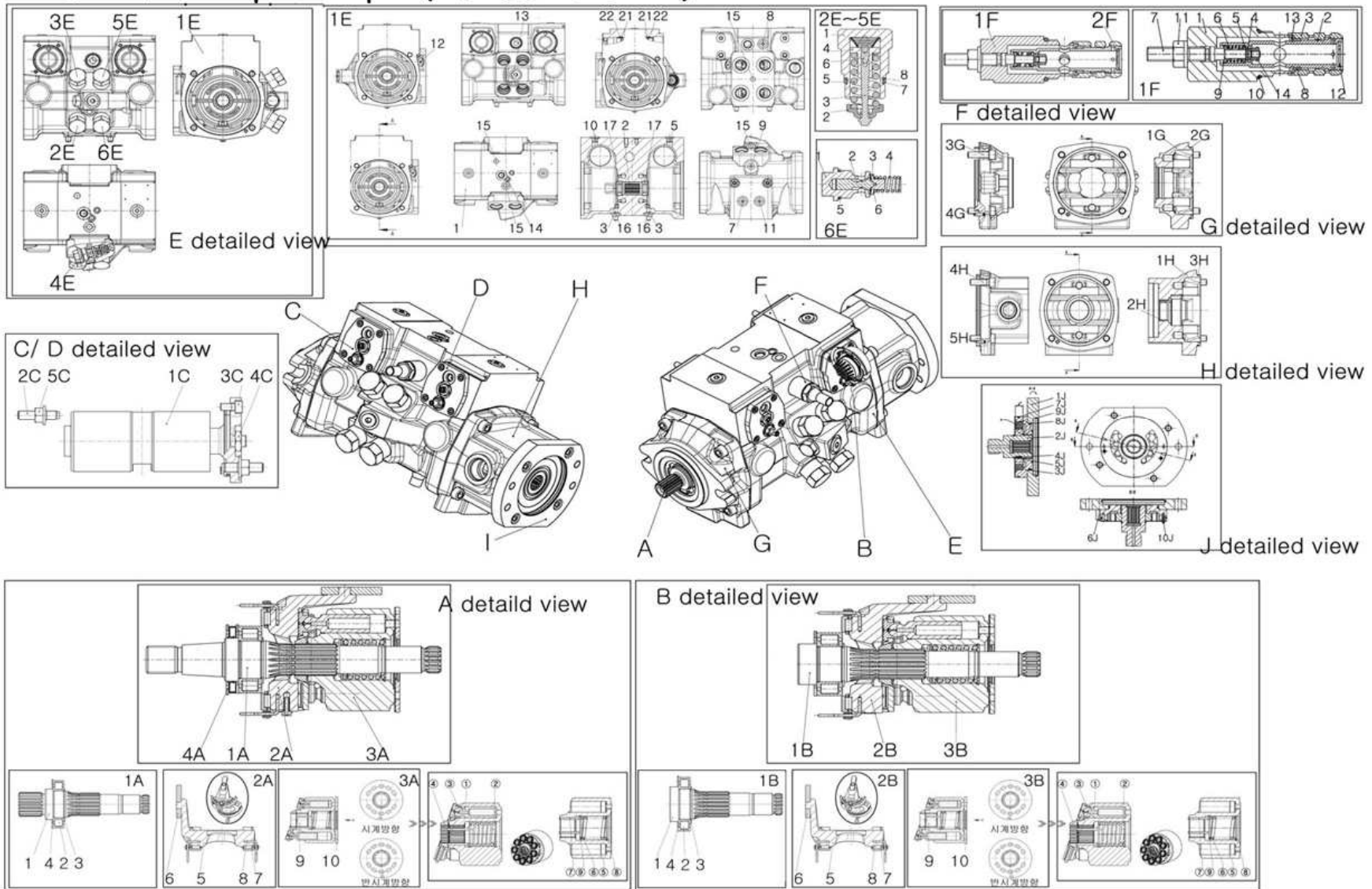
45. Drive pump (구동 펌프) (Cont'd) (계속)				
No.	Name	Part No.	Quantity	Remarks
D	Hydraulic control	R902198999	1	
1C	Positioning piston	R902226745	2	
2C	Threaded pin	R902237894	2	
3C	Socket, head screw	R909083018	8	
4C	Haxagon nut	R902017521	2	
5C	Sealing nut	R909152707	2	
E	Pump housing	R902195979	1	
1E	Pump housing complete	R902195977	1	
1	Pump housing	R902167193	1	
2	Through drive coupling	R902195052	1	
3	Eccentric screw	R902049734	2	
4	Rod seal kit	R902602138	4	
5	Guide ring	R902603689	4	
6	Locking screw	R909153371	1	
7	Locking screw	R909153371	1	
8	Locking screw	R909153371	1	
9	Locking screw	R909153371	1	
10	Locking screw	R909153371	1	
11	Locking screw	R909153371	1	
12	Locking screw	R909153371	1	
13	Locking screw	R909153338	1	
14	Double break off plug	R909831319	1	
15	Double break off plug	R902049733	1	
16	Sealing nut	R909153271	1	
17	Plain roller bearing	R909831337	2	

45. Drive pump (구동 펌프)



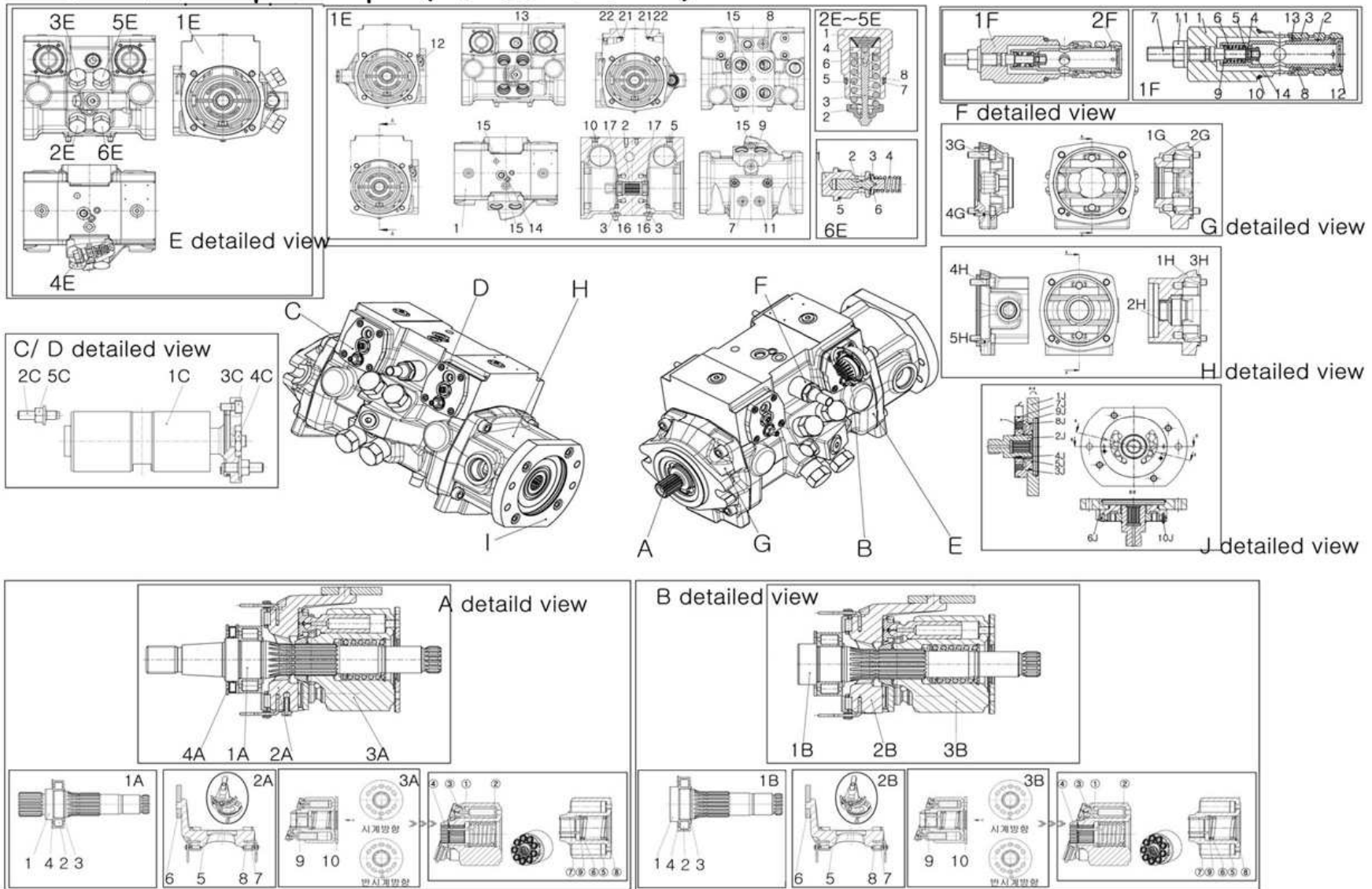
45. Drive pump (구동 펌프) (Cont'd) (계속)				
No.	Name	Part No.	Quantity	Remarks
2E	Pressure relief valve HD250-530	R902016398	4	
1	Locking screw	R909445618	4	
2	Valve collar	R902010478	4	
3	Valve spindle	R902010477	4	
4	Spring loading nut	R902016288	4	
5	Pressure spring	R909921948	4	
6	Threaded pin	R902016289	4	
7	O ring	R909083761	4	
8	Back up ring	R909831768	4	
3E	Pressure relief valve HD250-530	R902016398	4	
4E	Pressure relief valve HD250-530	R902016398	4	
5E	Pressure relief valve HD250-530	R902016398	4	
6E	Pressure relief valve ND15-30	R902018492	1	
1	Locking screw	R902168491	1	
2	Valve spindle	R902168489	1	
3	Spring colloar	R902168490	1	
4	Pressuring spring	R902435901	1	
5	O ring	R909152694	1	
6	Shim	R909153402	1	
F	Control cartridge w. orifice	R902115351	1	
1F	Control cartridge without orifice	R902000520	1	
1	Control screw	R909414726	1	
2	Differential piston	R902037909	1	
3	Controller pipe	R909921883	1	
4	Washer	R909421327	1	

45. Drive pump (구동 펌프)



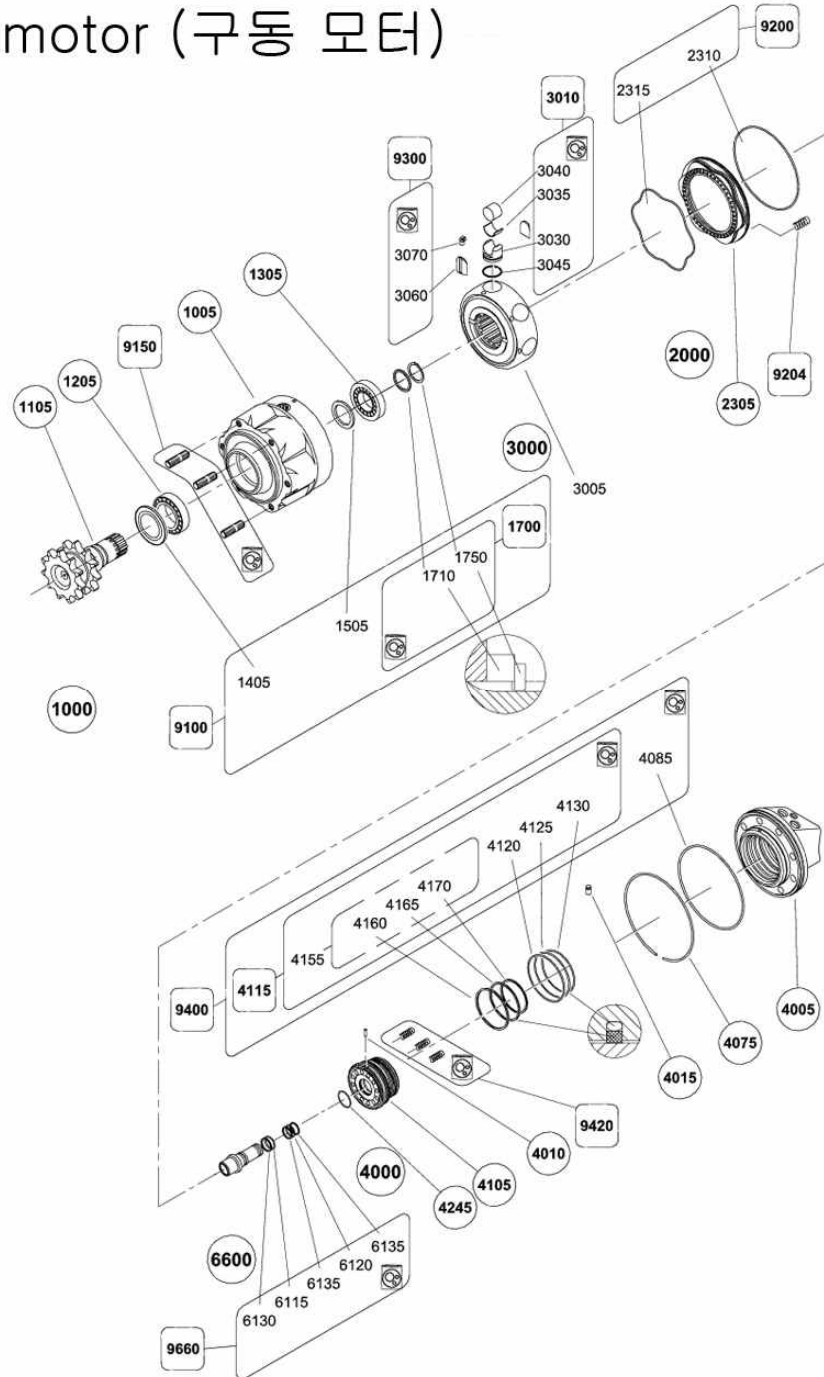
45. Drive pump (구동 펌프) (Cont'd) (계속)				
No.	Name	Part No.	Quantity	Remarks
5	Spring collar	R909414047	2	
6	Pressure spring	R902228522	1	
7	Threaded pin	R902037910	1	
8	Ring	R909921887	1	
9	Circlip	R909156476	1	
10	O ring	R909083761	1	
11	Sealing nut	R909152707	1	
12	Retaining ring	R909083380	1	
13	Seeger v ring	R909153848	1	
14	Hexagon nut	R909157287	1	
2F	Orifice	R909408665	1	
G	Bearing flange, complete	R902195264	1	
1	Bearing flange	R902195931	1	
2	O ring	R909086678	1	
3	Socket, head screw	R909086573	4	
4	Cylinder pin	R900748992	1	
H	Bearing flange, complete	R902205458	1	
1	Bearing flange	R902167094	1	
2	Bearing bushing	R909449136	1	
3	O ring	R909086678	4	
4	Socket, head screw	R909086573	1	
5	Cylinder pin	R900748992	1	
I	Internal gear pump	R902167060	1	
1	Intermediate flange	R902148201	1	
2	Through drive coupling	R902095397	1	

45. Drive pump (구동 펌프)



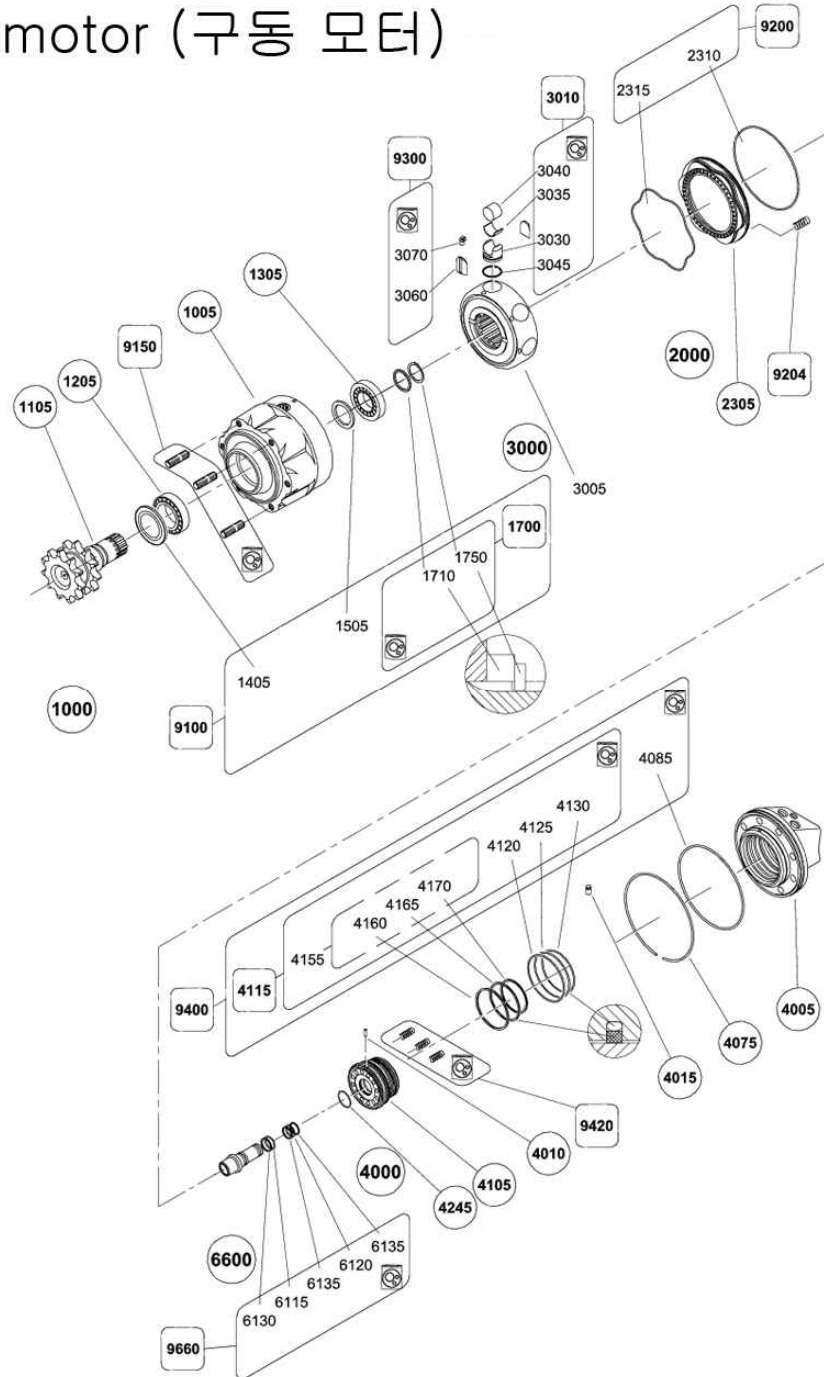
45. Drive pump (구동 펌프) (Cont'd) (계속)				
No.	Name	Part No.	Quantity	Remarks
3	Int. gear pump case with accessories	R902124940	1	
4	Shaft key	R902025645	1	
5	Snap ring	R909156930	1	
6	Socket, head screw	R909083060	4	
7	O ring	R909086823	1	
8	O ring	R909084504	1	
9	O ring	R913032365	1	
10	Cylinder pin	R909087694	1	

46. Drive motor (구동 모터)



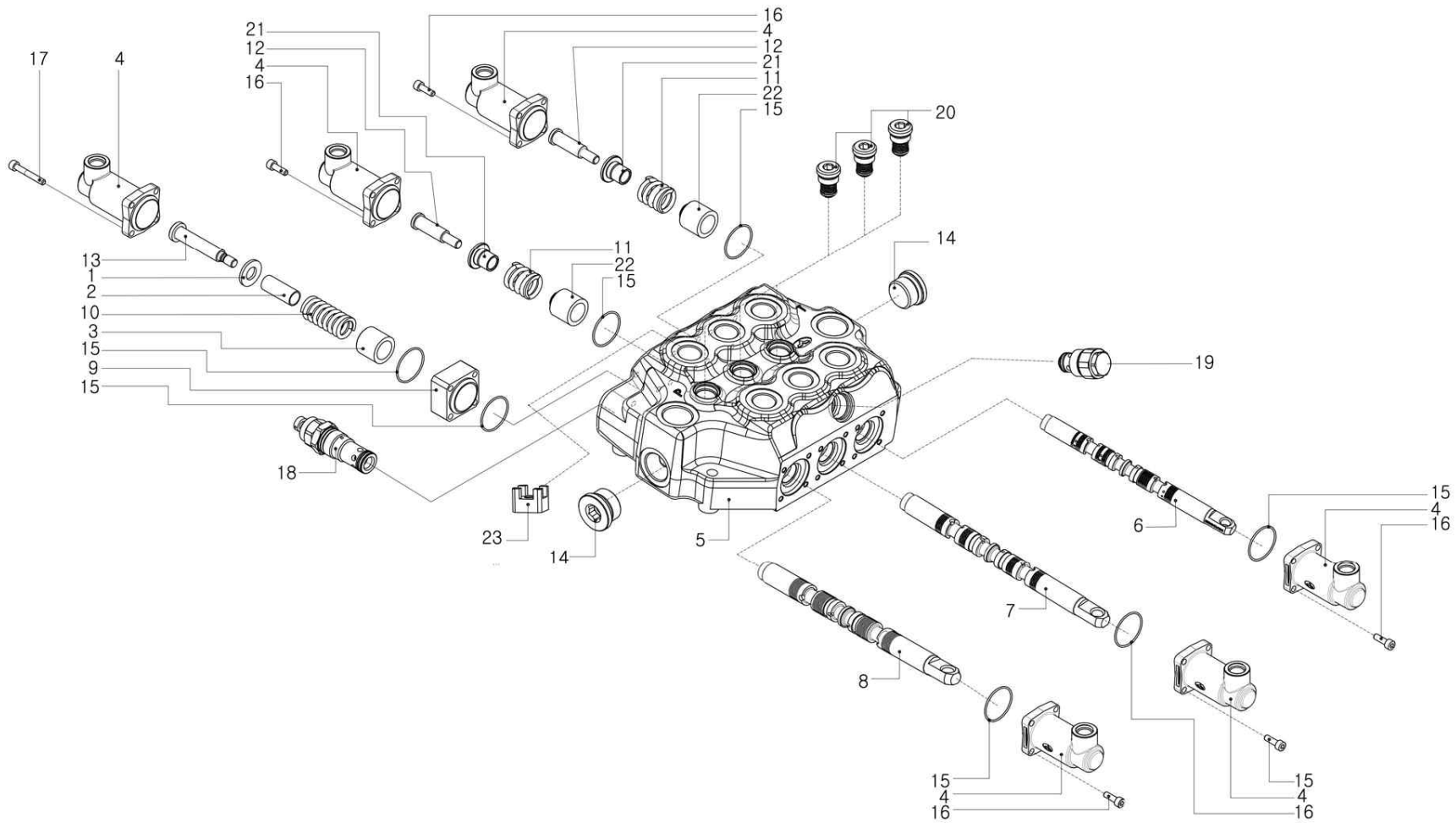
46. Drive motor (구동 모터)				
No.	Name	Part No.	Quantity	Remarks
1000	Bearing support cam assy			
1005	Bearing support cam			
1105	Shaft			
1205	Bearing			
1305	Bearing			
9100	Bearing support repair kit			
1430	Cerf seal			
1505	Sealking ring			
1700	Adjustment bearing support kit			
1715	Thrust ring			
1750	Snap ring			
9150	Studs kit			
2000	Brake assy			
9204	Springs kit			
2040	Springs			
2305	Brake piston			
9200	Brake seals kit			
2310	Oring			
2315	Sinus seal			
3000	Cylinder block assy			
3005	Cylinder block			
3010	Piston assy			
9300	Repair kit			
4000	Valving cover assy			
4005	Valving cover			

46. Drive motor (구동 모터)



46. Drive motor (구동 모터) (Cont'd) (계속)				
No.	Name	Part No.	Quantity	Remarks
4010	Pin			
4015	Pin			
4075	Snap ring			
4105	Valving			
4245	Snap ring			
9400	Bearing valving cover kit			
4115	Seals kit			
4085	Oring			
4465	Oring			
9420	Spring kit			
4190	Spring			
4400	Spool assy			
4445	Cap assy			
4470	Snap ring			
6600	Exchange valve			
6110	Plug seal			
9660	Seals kit			
6115	Oring			
6120	Oring			
6130	Back up ring			
6135	Back up ring			
9000	Seal kits			

47. Control valve (콘트롤 밸브)



47. Control valve (콘트롤 밸브)				
No.	Name	Part No.	Quantity	Remarks
1	Ring	3ANe115350	1	
2	Ring	3ANE125025	1	
3	Boccola 12IM/SDM140	3BOC426230	1	
4	Cappellotto 81IM/SD8-SDM140	3CAP350770	6	
5	SDM141/3	3CO1913009	1	
6	Spool	3CU1340350	1	
7	Spool	3CU1310350	1	
8	Spool	3CU1310330	1	
9	Distanziale Comando 12IM/SDM140	3DIS232240	1	
10	Molla 12IM/SDM140	3MOL422500	1	
11	Molla Comando 8IM/S8	3MOL425291	2	
12	Vite 81IMF3/DSL8-M8	3VIT115480	2	
13	Screw M8	3VIT118730	1	
14	Plug	3XTAP732200	1	
15	O-ring	4GUA131518	7	
16	Vite Tcei UNI-5931	4VIT605016	20	
17	Vite Tcei UNI-5931	4VIT605030	4	
18	Main relief vavle VMP140 (XG-175)	X134211175	1	
19	Valvola C/SD8	XCAR408115	1	
20	VR10-90SH KIT	XKIT010200	3	
21	Boccola Cursore 8IMY/S8	3BOC426270	2	
22	Boccola Guidamolla	3BOC325181	2	
23	Piastarina FC5 Bocche SDM141	3SPE217053	1	

INDEX

1. Hub assy (차 축)	1
2. Motor shaft (모터 축)	3
3. Lift arm (주봉)	5
4. Quick tach pad (퀵 태치 패드)	9
5. Bucket (버킷)	11
6. Lift cylinder (주봉 실린더)	13
7. Tilt cylinder (버킷 실린더)	15
8. Cover (커버)	17
9. Mirror assy (미러조합)	19
10. Side cover (사이드 커버)	23
11. Electric Cooler assy (전기식쿨러조합)	25
12. Engine room cover (엔진룸 커버)	27
13. Operator cab, Canopy type (안전탑)	31
14. Operator cab, Cabin enclosure (안전탑 캐빈형)	37
15. Front door assy (안전탑 앞문)	43
16. Opeartor cab and tire (안전탑 및 타이어)	45
17. Steering handle, Joystick controls (조향 장치, 조이스틱)	47
18. Control valve system for Joystick (조이스틱 콘트롤밸브 장치부)	49
19. Engine (엔진) Kubota	53
20. Pump (펌프)	57
21. Radiator (라디에이터) Kubota	59
22. Muffler (소음기) Kubota	63
23. Parts related to engine (엔진관련 부품)	65
24. Air Cleaner (에어크리너) Kubota	69
25. Hydraulic tank and fuel tank (유압 및 연료 탱크)	71
26. Fuel line (연료 라인) Kubota	73

27. Hydraulic line of lift arm (주봉 유압 라인)	75
28. Hydraulic line of bucket (버킷 유압 라인)	77
29. Aux. hydraulic line (보조 유압 라인)	79
30. Main hydraulic line (메인 유압 라인)	81
31. Hydraulic line of drive part (구동부 유압 라인)	83
32. Hydraulic line of hyd' parking brake (유압주차브레이크 유압라인)	85
33. Hydraulic line of self leveling system (수평유지 장치 유압 라인)	89
34. Hydraulic line of high flow system (하이플로우 유압라인)	91
35. Air Conditioner system (에어컨 장치)	97
36. Heater system (히터 장치)	99
37. Instrument panel for canopy (계기판-기본형)	101
37-1. Instrument panel LH for cabin enclosure (계기판 - 캐빈형)	103
37-2. Instrument panel RH for cabin enclosure (계기판 - 캐빈형)	107
38. Electrical system (전기 장치)	109
39. Electrical system for air conditioner (전기장치-에어컨)	113
40. Brake & Solenoid Line (브레이크 & 솔레노이드 배선)	115
41. Electrical system for Hi-flow (전기장치부-하이플로우)	117
43. Safety device (안전 장치)	119
44. Cable line (케이블 라인)	121
45. Drive pump (구동 펌프)	123
46. Drive motor (구동 모터)	135
47. Control valve (콘트롤 밸브)	139