

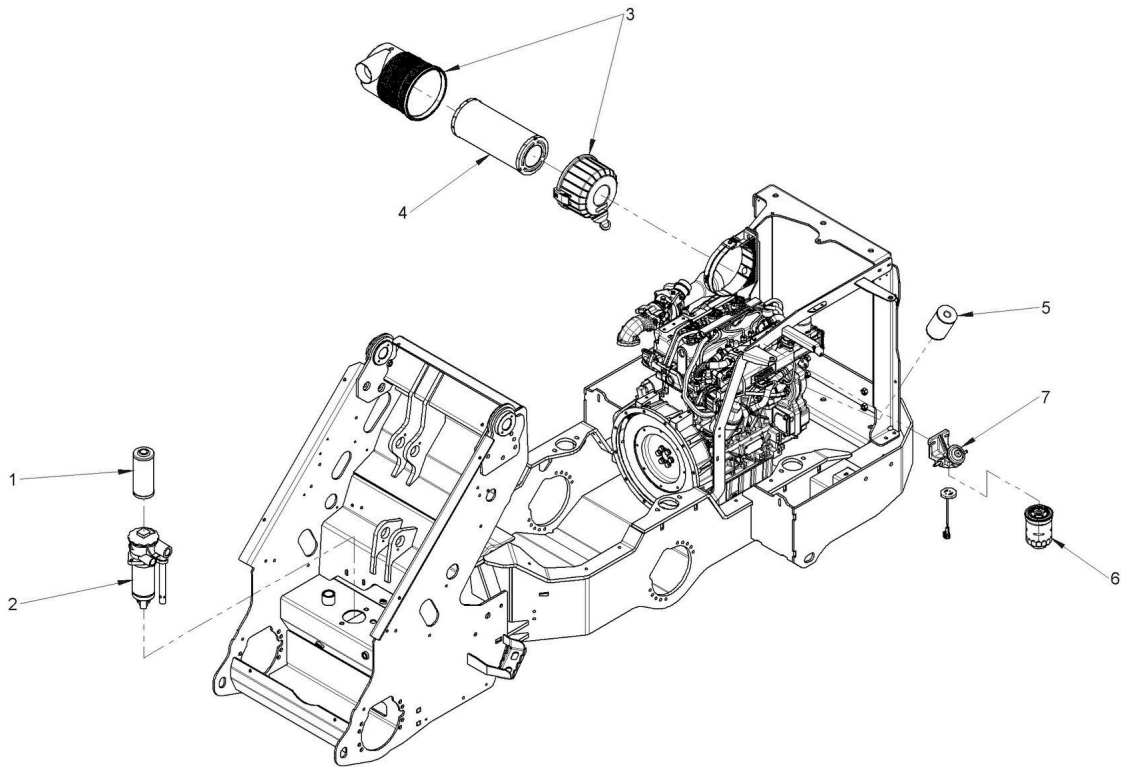
List of machine draft

N.	Draft
1	TAV. 00 FILTERS
50	TAV. 01 ENGINE AND SUPPORTS
51	TAV. 02 PUMPS
52	TAV. 03 ONEDRIVE VALVE
54	TAV. 04 PEDAL
53	TAV. 06 ENGINE COOLER
2	TAV. 07 OIL COOLER
3	TAV. 08 ARTICULATION
55	TAV. 09 WHEEL MOTORS
5	TAV. 11 ENGINE FIXING
6	TAV. 13 CYLINDER AND POWER STEERING
7	TAV. 14 OIL SUCTION COLLECTOR
8	TAV. 15 OIL SUCTION PIPES
56	TAV. 16 2 SPEED VALVES
9	TAV. 17 ENGINE COOLER SUPPORTS
10	TAV. 18 INTERCOOLER PIPE
11	TAV. 19 BATTERY AND MUFFLER
12	TAV. 20 VALVE BANKS
13	TAV. 21 OIL COOLER FIXING
57	TAV. 22 FRONT FITTINGS
58	TAV. 23 REAR FITTINGS
14	TAV. 24 AIR FILTERS
15	TAV. 25 FUEL TANK
16	TAV. 26 FUEL PIPES
17	TAV. 27 SEAT SUPPORT
18	TAV. 28 RELAYS AND FUSES
19	TAV. 29 WHEELS
20	TAV. 30 BOOM
21	TAV. 31 TILTING PLATE
22	TAV. 32 COUPLING PLATE
23	TAV. 33 ROLL BAR
24	TAV. 34 BOOM PIPES CONNECTION
25	TAV. 35 REAR SUPPORT
26	TAV. 36 REAR MUDGUARD SUPPORT
27	TAV. 37 ARTICULATION COVER
28	TAV. 38 REAR RIGHT AND LEFT SIDE COVER
29	TAV. 39 OVER ENGINE COVER
30	TAV. 40 REAR MUDGUARDS
31	TAV. 41 FOOTREST PLATE



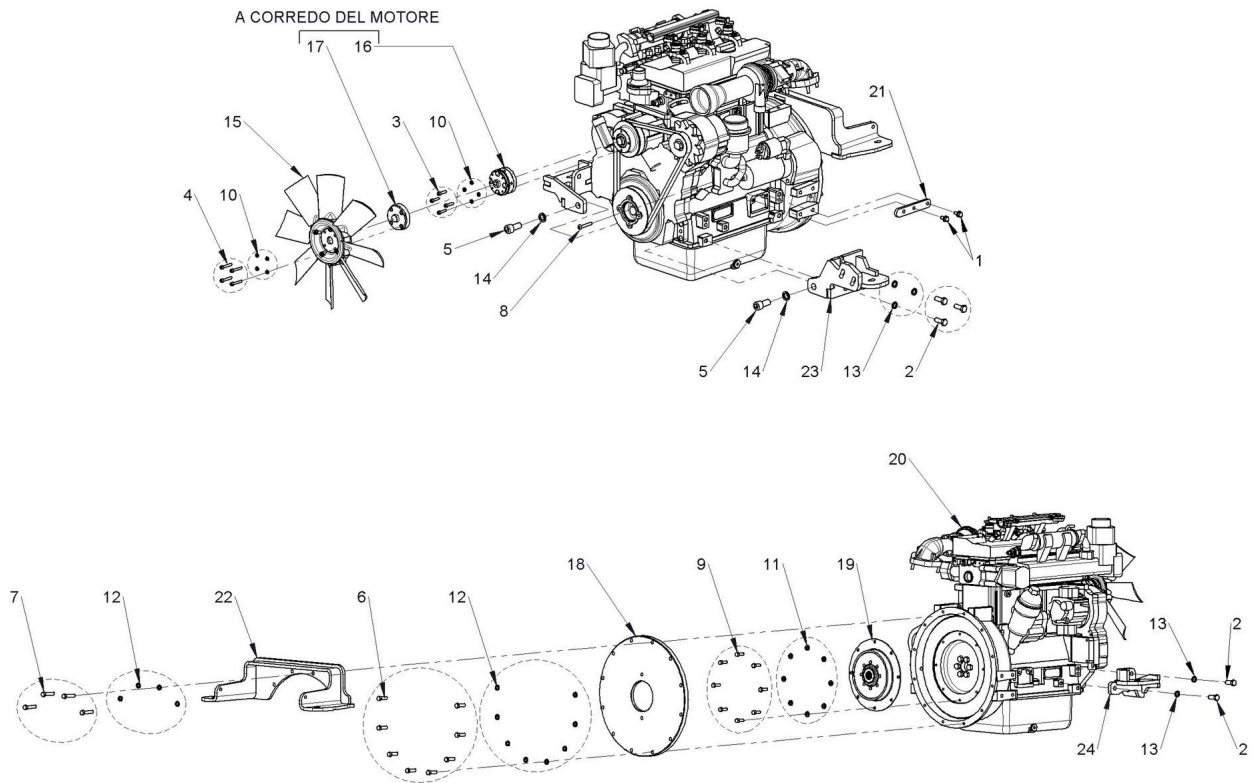
Draft and part list report
Serial n / code M354818 / C964008
Description MULTIONE 8.5SK 3^G STAGE5

32	TAV. 42 REAR CABIN COVER
33	TAV. 43 UNDER SEAT COVER
34	TAV. 44 FRONT DASHBOARD
35	TAV. 45 FRONT MUDGUARD
36	TAV. 46 FRONT LEFT SIDE
37	TAV. 47 FRONT RIGHT SIDE
38	TAV. 48 RIGHT SIDE DASHBOARD
39	TAV. 49 LIGHT HOLDER COVER
40	TAV. 50 FRONT GLASS SUPPORT
41	TAV. 51 UNDER BOOM COVER
42	TAV. 52 SEAT
43	TAV. 53 CABIN BUFFER
44	TAV. 54 TRANSPARENT COVER
45	TAV. 55 ELECTRIC PARTS
60	TAV. 58-A TRANSMISSION HYDRAULIC DIAGRAM
61	TAV. 58-B LEAKING SPEED CHANGE HYDRAULIC DIAGRAM
46	TAV. 59 SERVICES HYDRAULIC DIAGRAM
47	TAV. 60 BOOM COMPONENTS
59	TAV. 80 ELECTRIC SWITCHES 2ND GEN
48	TAV. 89 COMPARE 2nd 3rd GENERATION MULTICONNECTOR MACHINE SIDE
49	TAV. 96 BSP MULTICONNECTOR 3rd GENERATION MACHINE SIDE
4	TAV. THREAD INSERT



Component list [TAV. 00 FILTERS]

Pos.	Code	Description	Q.ty
1	C036627	HYDRAULIC OIL FILTER CARTRIDGE H160	1.00000
2	C036628	COMBINED OIL FILTER H=300 mm	1.00000
3	C039078	7 INCH AIR FILTER BODY	1.00000
4	C039079	7" AIR FILTER CARTRIDGE WITH SAFETY FILTER	1.00000
5	C039182	KOHLER OIL FILTER CARTRIDGE	1.00000
6	C039183	DIESEL FILTER CARTRIDGE	1.00000
7	C039185	COMPLETE FUEL FILTER	1.00000



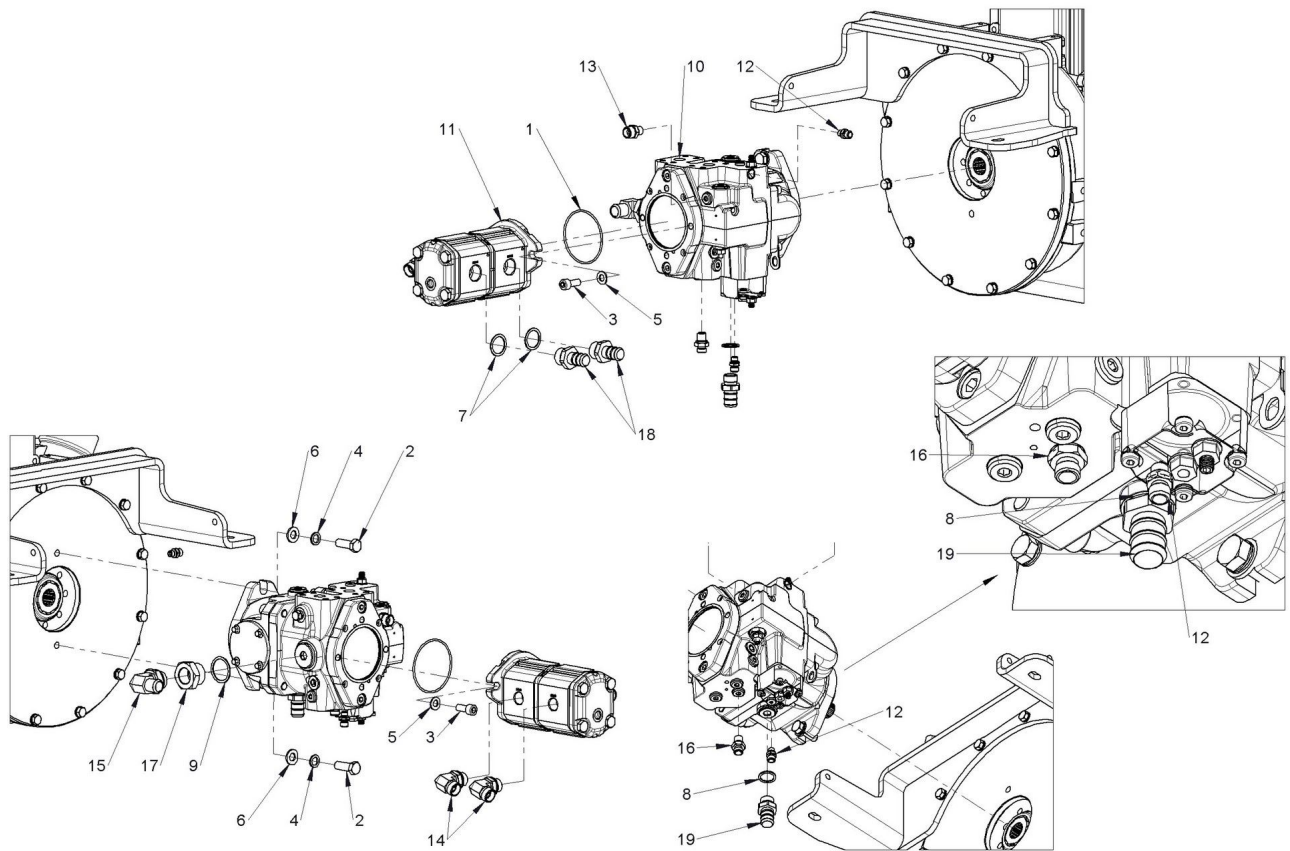
Component list [TAV. 01 ENGINE AND SUPPORTS]

Pos.	Code	Description	Q.ty
1	C019201	DIN 6921 M8x16 FLANGED HEAD SCREW	2.00000
2	C020132	UNI 5739 M12x30 HEX HEAD SCREW	5.00000
3	C020212	UNI EN ISO 4762 M6x25 HEX SOCKET HEAD CAP SCREW	4.00000
4	C020214	UNI EN ISO 4762 M6x35 HEX SOCKET HEAD CAP SCREW	4.00000
5	C020293	UNI EN ISO 12474:2010 M16x1,5x35 HEX SOCKET HEAD CAP SCREW	2.00000
6	C020410	HEXAGONAL SCREW 3/8"-16 UNC-28 L=1" 1/4 ZB	8.00000
7	C020414	HEXAGONAL SCREW 3/8"-16 UNC-28 L=1" 3/4 ZB	4.00000
8	C020573	ISO 7380 M8x45 HEX SOCKET OVAL HEAD SCREW	1.00000
9	C020730	HEXAGONAL SCREW 5/16" UNC L=1" ZB	8.00000
10	C023040	M6 NORD LOCK WASHER	8.00000
11	C023041	M8 NORD LOCK WASHER	8.00000
12	C023042	M10 NORD LOCK WASHER	12.00000
13	C023043	M12 NORD LOCK WASHER	5.00000
14	C023045	M16 NORD LOCK WASHER	2.00000
15	C034217	Ø400 35° FAN FOR ENGINE	1.00000
16	C039190	76-76-40 MM FAN SPACER KOHLER	1.00000
17	C039191	Ø76 TH 18 mm FAN SPACER	1.00000



Draft and part list report
Serial n / code M354818 / C964008
Description MULTIONE 8.5SK 3^G STAGE5

18	C039555	SAE B KOHLER PUMP FLANGE	1.00000
19	C039556	Z15 RUBBER JOINT	1.00000
20	C039608	KOHLER KDI1903TCR STAGE5	1.00000
21	C282178	INTERCOOLER PIPE SUPPORT	1.00000
22	C285915	FRONT ENGINE SUPPORT	1.00000
23	C285920	REAR RIGHT ENGINE SUPPORT	1.00000
24	C285925	REAR LEFT ENGINE SUPPORT	1.00000



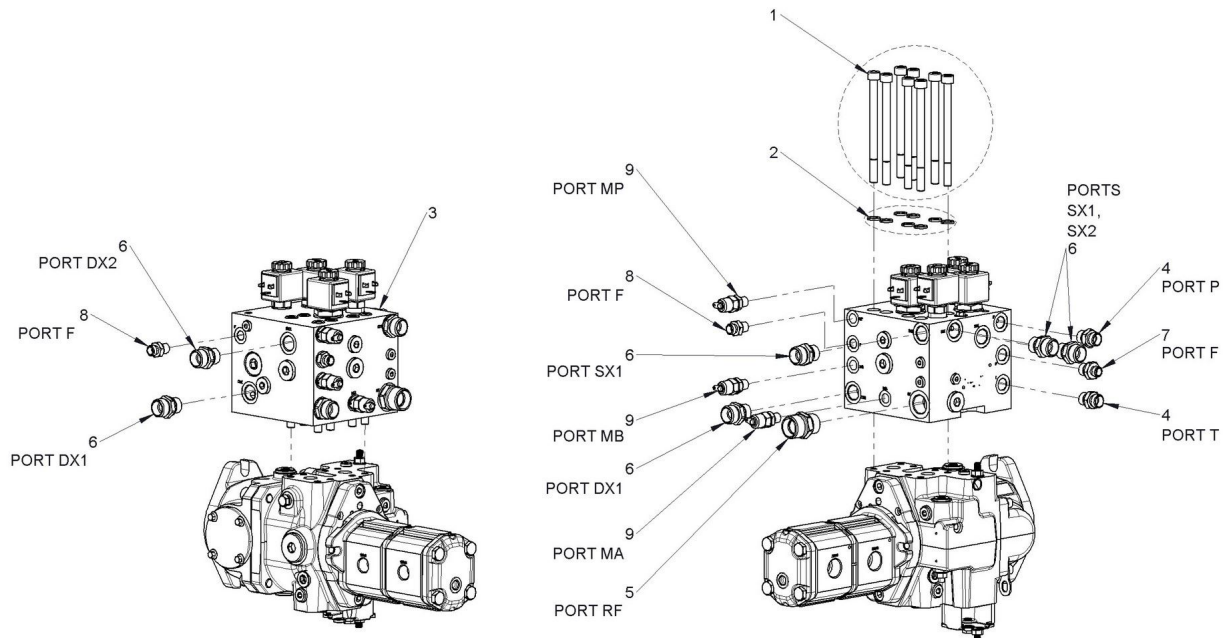
Component list [TAV. 02 PUMPS]

Pos.	Code	Description	Q.ty
1	C016001	ORING 82,22X2,62	1.00000
2	C020133	HEXAGON HEAD BOLT 10.9 M12x35 ISO 4017	2.00000
3	C020219	UNI EN ISO 4762 M10x25 HEX SOCKET HEAD CAP SCREW	2.00000
4	C023043	M12 NORD LOCK WASHER	2.00000
5	C023080	UNI 6592 FLAT WASHER M10 - 10,5x20x2	2.00000
6	C023102	UNI 6592 FLAT WASHER M12 - 13x24x2,5	2.00000
7	C030534	COPPER WASHER 3/4" GAS	2.00000
8	C030535	COPPER WASHER 1/2" GAS	1.00000
9	C030537	1" COPPER WASHER	1.00000
10	C031389	HYDROSTATIC PUMP C3 46CC FLANGED	1.00000
11	C031601	16+16 cc TWIN GEAR PUMP	1.00000
12	C033008	MALE-MALE CONNECTOR 1/8" G - 6L	2.00000
13	C033009	MALE-MALE CONNECTOR 1/4" G - 12L	1.00000
14	C033022	90° ELBOW ADJ. MALE 1/2" G - MALE 15L	2.00000
15	C033028	90° ELBOW HOSE FITTING SW.M 3/4" G - 3/4" HOSE	1.00000
16	C033134	MALE-MALE CONNECTOR 1/4" G - 8L	1.00000
17	C033142	COUPLING REDUCING M 1" G - F 3/4 G	1.00000



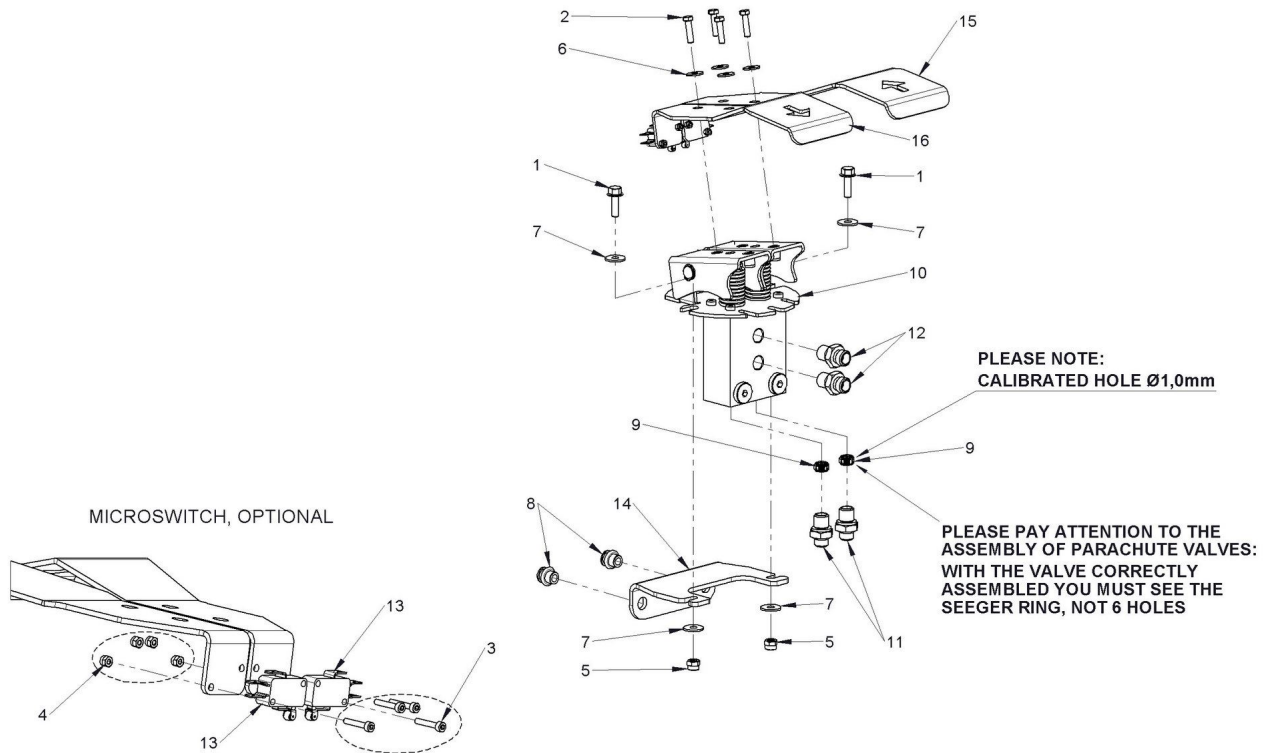
Draft and part list report
Serial n / code M354818 / C964008
Description MULTIONE 8.5SK 3^G STAGE5

18	C033300	STRAIGHT HOSE CONNECTOR 3/4" G F - 3/4" HOSE	2.00000
19	C033301	STRAIGHT HOSE FITTING 1/2" G - 3/4" HOSE	1.00000



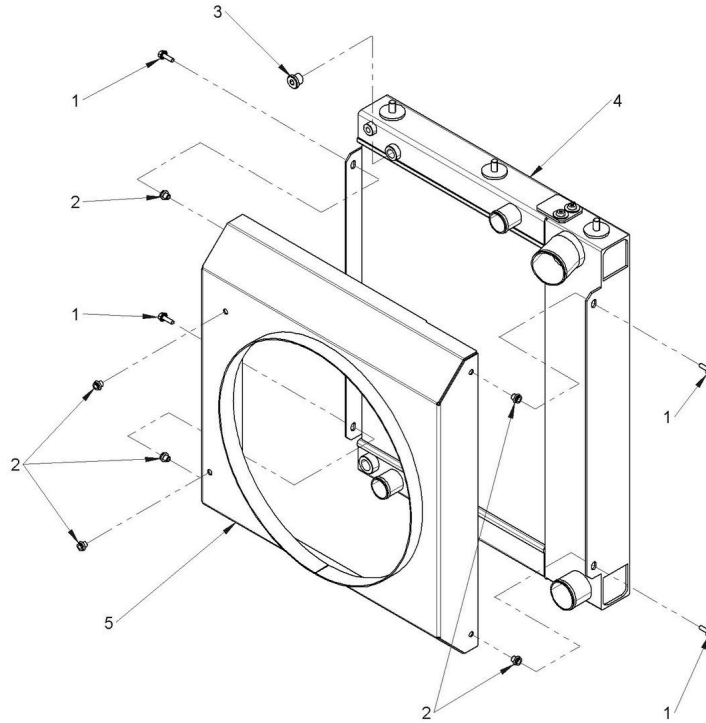
Component list [TAV. 03 ONEDRIVE VALVE]

Pos.	Code	Description	Q.ty
1	C020237	UNI EN ISO 4762 M10x140 HEX SOCKET HEAD CAP SCREW	8.00000
2	C023051	GROWER WASHER FOR M10 UNI 1751A	8.00000
3	C030877	ONEDRIVE VALVE, C3	1.00000
4	C033001	MALE-MALE CONNECTOR 3/8" G - 12 L	2.00000
5	C033019	MALE-MALE CONNECTOR 3/4" G - 20S	1.00000
6	C033073	MALE-MALE CONNECTOR 1/2" G - 16S	6.00000
7	C033133	MALE-MALE CONNECTOR 3/8" G - 8L	1.00000
8	C033134	MALE-MALE CONNECTOR 1/4" G - 8L	2.00000
9	C037001	MANOMETER QUICK PLUG 1/4"	3.00000
10	C023045	M16 NORD LOCK WASHER	1.00000
11	C020293	UNI EN ISO 12474:2010 M16x1,5x35 HEX SOCKET HEAD CAP SCREW	1.00000



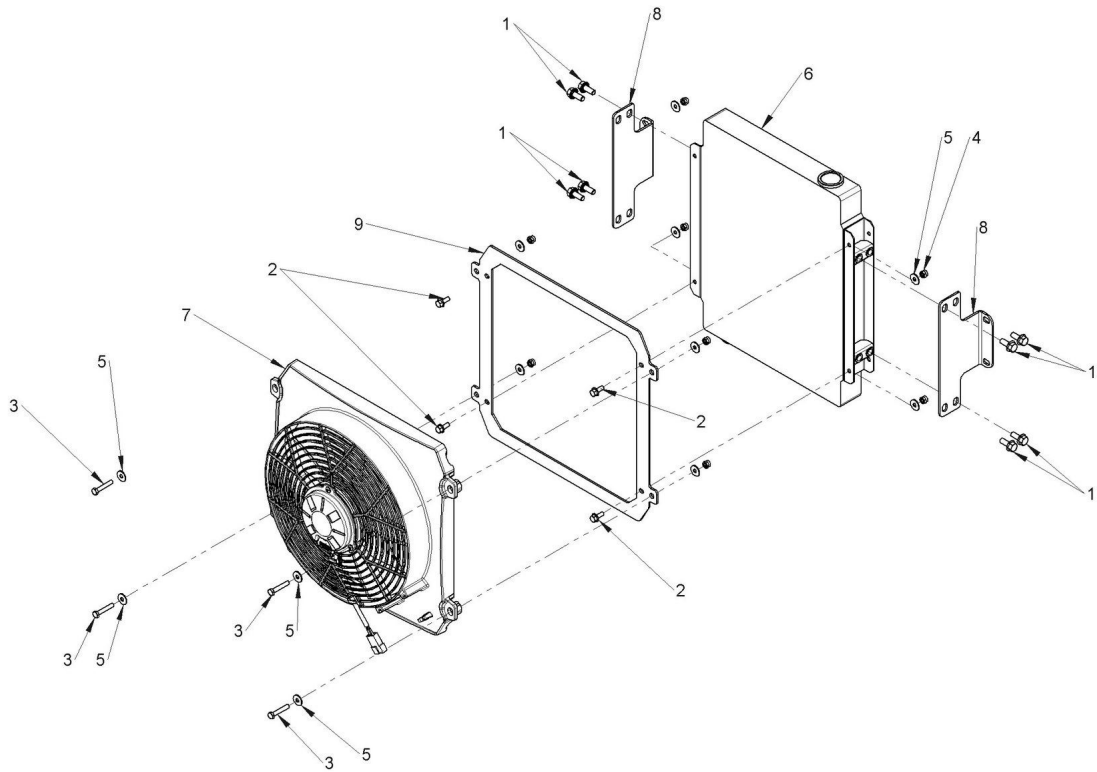
Component list [TAV. 04 PEDAL]

Pos.	Code	Description	Q.ty
1	C019212	DIN 6921 M6x20 FLANGED HEAD SCREW	2.00000
2	C020038	ISO 4017 M5x20 SCREW	4.00000
3	C020279	UNI EN ISO 4762 M3x18 HEX SOCKET HEAD CAP SCREW	4.00000
4	C021101	UNI 7473 SELF-LOCKING NUT M3	4.00000
5	C021104	UNI 7473 SELF-LOCKING NUT M6	2.00000
6	C023098	UNI 6593 LARGE WASHER M5 - 5,5x15x1,5	4.00000
7	C023110	UNI 6593 LARGE WASHER M6 - 6,5x18x1,5	4.00000
8	C028270	THREAD INSERT M8	2.00000
9	C030529	FLOW CONTROL VALVES	2.00000
10	C030765	TWIN PEDAL CONTROL BLOCK W/OUT PEDAL	1.00000
11	C033007	MALE-MALE CONNECTOR 1/4" G - 6L	2.00000
12	C033134	MALE-MALE CONNECTOR 1/4" G - 8L	2.00000
13	C034020	MICROSWITCH	2.00000
14	C281766	PEDAL CONTROL BLOCK SUPPORT	1.00000
15	C281767	FORWARD PEDAL	1.00000
16	C281768	BACKWARDS PEDAL	1.00000



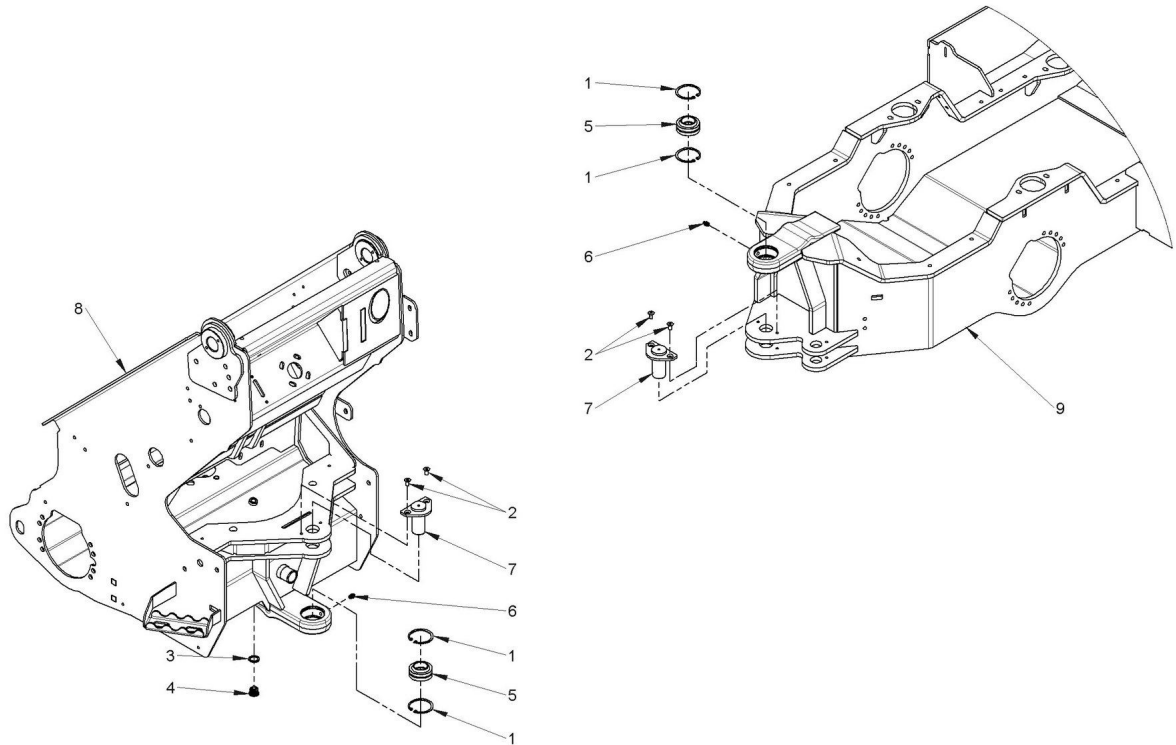
Component list [TAV. 06 ENGINE COOLER]

Pos.	Code	Description	Q.ty
1	C019212	DIN 6921 M6x20 FLANGED HEAD SCREW	4.00000
2	C028294	THREAD INSERT M6	6.00000
3	C030381	MALE PLUG 3/8" G	1.00000
4	C030633	ENGINE COOLER AIR AND WATER	1.00000
5	C285913	ENGINE COOLER CONVEYOR	1.00000



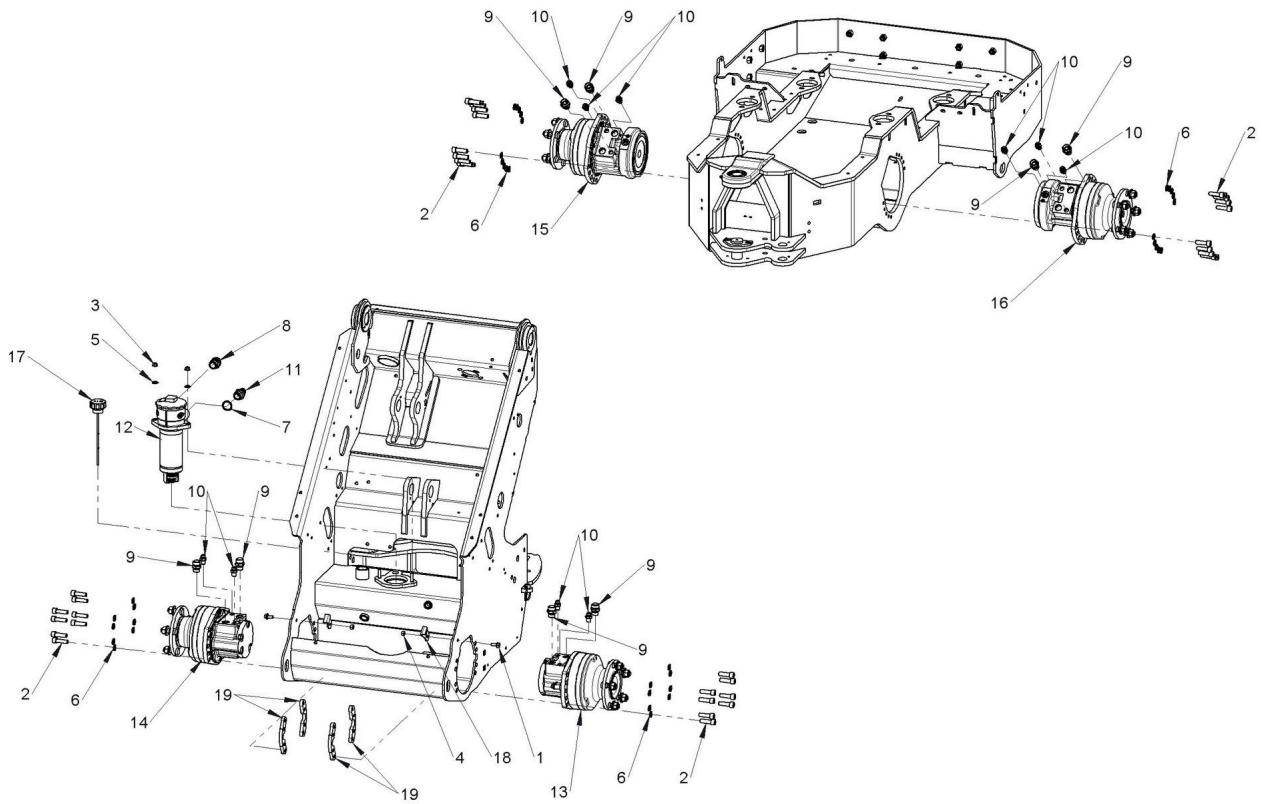
Component list [TAV. 07 OIL COOLER]

Pos.	Code	Description	Q.ty
1	C019202	DIN 6921 M8x20 FLANGED HEAD SCREW	8.00000
2	C019211	DIN 6921 M6x16 FLANGED HEAD SCREW	4.00000
3	C020054	HEXAGON HEAD SCREW M6x35 ZB UNI 4017	4.00000
4	C021104	UNI 7473 SELF-LOCKING NUT M6	8.00000
5	C023110	UNI 6593 LARGE WASHER M6 - 6,5x18x1,5	12.00000
6	C030588	OIL COOLER FOR MULTIONE S/SL800 SERIES	1.00000
7	C034002	SUCTION ELETTRIC FAN Ø305	1.00000
8	C272049	BRACKET OIL COOLER	2.00000
9	C272050	ELETTROFAN SUPPORT	1.00000



Component list [TAV. 08 ARTICULATION]

Pos.	Code	Description	Q.ty
1	C018310	BORES SEEGER RING $\varnothing 62$ DIN 472	4.00000
2	C020227	UNI 5933 M8x18 HEX SOCKET COUNTERSUNK CAP SCREW	4.00000
3	C030542	1/2" G BONDED WASHER	1.00000
4	C030610	MAGNETIC MALE PLUG 1/2" G	1.00000
5	C037637	GE 35 FO 2RS RADIAL BALL JOINT	2.00000
6	C090030	GREASER NIPPLE M10x1 UNI 7663A	2.00000
7	C230166	FLANGED PIN $\varnothing 35$ L=73	2.00000
8	C281660	FRONT FRAME M1 6-7-8	1.00000
9	C282100	REAR FRAME M1 8.5	1.00000



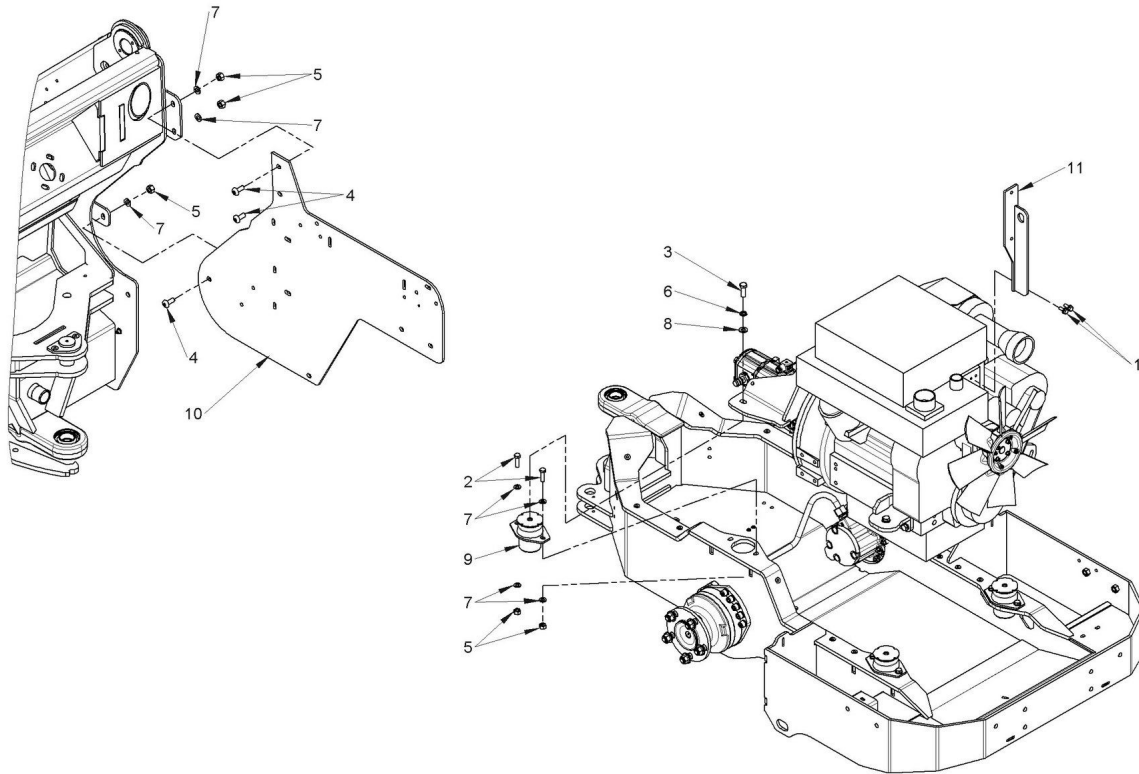
Component list [TAV. 09 WHEEL MOTORS]

Pos.	Code	Description	Q.ty
1	C019202	DIN 6921 M8x20 FLANGED HEAD SCREW	2.00000
2	C020250	UNI EN ISO 4762 M12x40 HEX SOCKET HEAD CAP SCREW	36.00000
3	C021011	ISO 4161 M8 HEX NUT W/SERRATE FLANGE	2.00000
4	C021502	SLOTTED AND CASTLE HEXAGON NUTS M8 DIN980	2.00000
5	C023041	M8 NORD LOCK WASHER	2.00000
6	C023043	M12 NORD LOCK WASHER	36.00000
7	C030534	COPPER WASHER 3/4" GAS	1.00000
8	C033004	MALE-MALE CONNECTOR 3/4" G - 22L	1.00000
9	C033073	MALE-MALE CONNECTOR 1/2" G - 16S	8.00000
10	C033134	MALE-MALE CONNECTOR 1/4" G - 8L	10.00000
11	C033300	STRAIGHT HOSE CONNECTOR 3/4" G F - 3/4" HOSE	1.00000
12	C036628	COMBINED OIL FILTER H=300 mm	1.00000
13	C038680	MSE03-2 500cc 2 SPEED RIGHT WHEEL MOTOR	1.00000
14	C038681	MSE03-2 500cc 2 SPEED LEFT WHEEL MOTOR	1.00000
15	C038682	MSE03-2 500cc 2 SPEED W/BRAKE RIGHT WHEEL MOTOR	1.00000
16	C038683	MSE03-2 500cc 2 SPEED W/BRAKE LEFT WHEEL MOTOR	1.00000
17	C038748	1" G PRESSURIZED LEVEL CUP 0.1 bar	1.00000



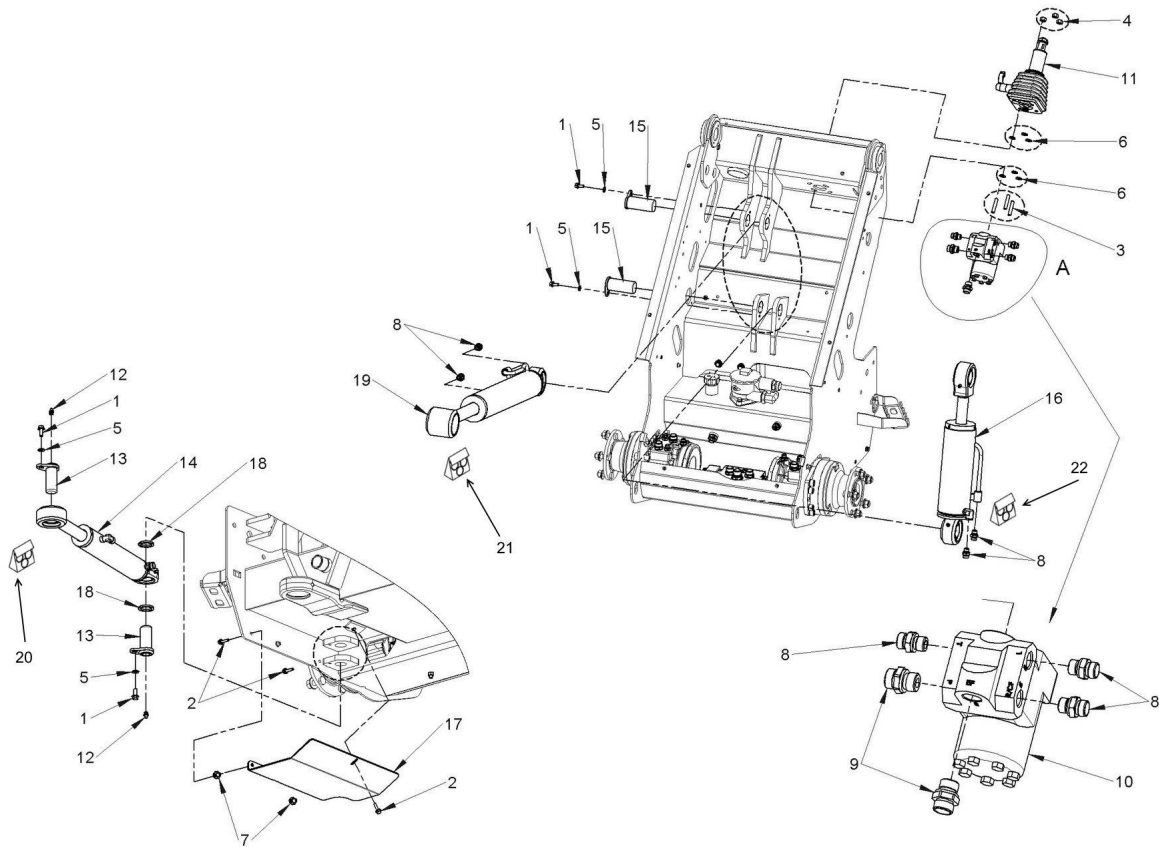
Draft and part list report
Serial n / code M354818 / C964008
Description MULTIONE 8.5SK 3^G STAGE5

18	C277807	BOOM STOPPER ON FRONT FRAME	2.00000
19	C281614	WHEEL MOTOR LOCKING PLATE	4.00000



Component list [TAV. 11 ENGINE FIXING]

Pos.	Code	Description	Q.ty
1	C019202	DIN 6921 M8x20 FLANGED HEAD SCREW	2.00000
2	C020103	HEXAGON HEAD SCREW M10x35 ISO 4017	8.00000
3	C020133	HEXAGON HEAD BOLT 10.9 M12x35 ISO 4017	4.00000
4	C020550	ISO 7380 M10x25 HEX SOCKET OVAL HEAD SCREW	3.00000
5	C021503	SLOTTED AND CASTLE HEXAGON NUTS M10 DIN980	11.00000
6	C023043	M12 NORD LOCK WASHER	4.00000
7	C023080	UNI 6592 FLAT WASHER M10 - 10,5x20x2	19.00000
8	C023102	UNI 6592 FLAT WASHER M12 - 13x24x2,5	4.00000
9	C037410	HYDRAULIC DUMPER 40SH	4.00000
10	C281746	HYDRAULIC VALVES SIDE SUPPORT	1.00000
11	C285088	7" AIR FILTER SUPPORT	1.00000



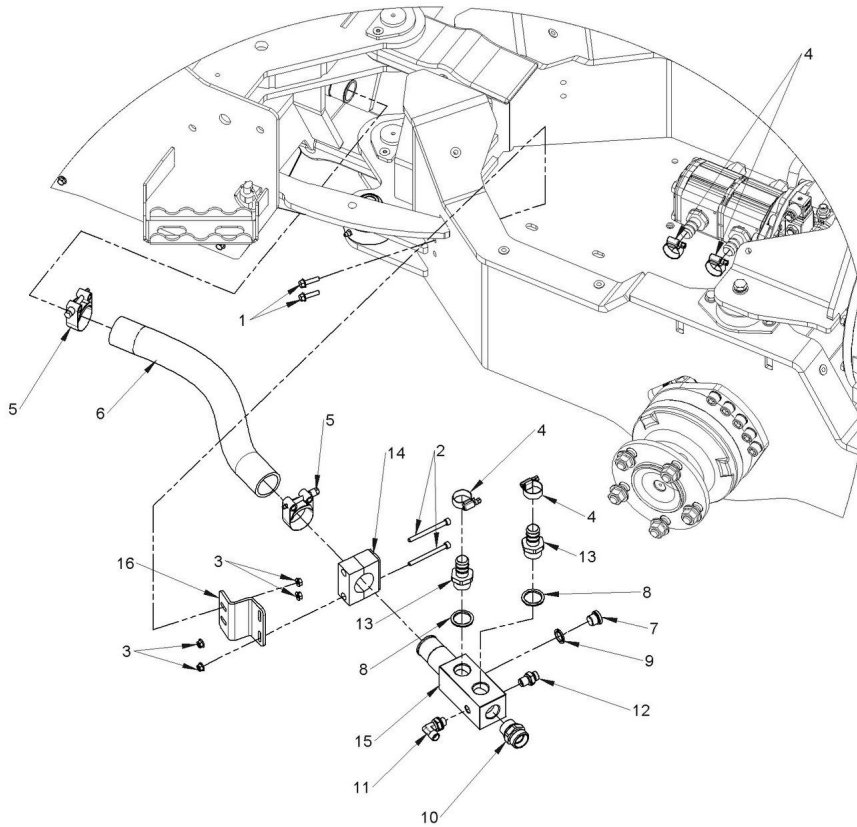
Component list [TAV. 13 CYLINDER AND POWER STEERING]

Pos.	Code	Description	Q.ty
1	C019202	DIN 6921 M8x20 FLANGED HEAD SCREW	4.00000
2	C019213	DIN 6921 M6x25 FLANGED HEAD SCREW	3.00000
3	C020551	THREAD BAR M10X50	3.00000
4	C021503	SLOTTED AND CASTLE HEXAGON NUTS M10 DIN980	3.00000
5	C023041	M8 NORD LOCK WASHER	4.00000
6	C023080	UNI 6592 FLAT WASHER M10 - 10,5x20x2	6.00000
7	C028297	THREAD INSERT M6	2.00000
8	C033001	MALE-MALE CONNECTOR 3/8" G - 12 L	7.00000
9	C033003	MALE-MALE CONNECTOR 1/2" G - 15L	2.00000
10	C038510	STEERING UNIT 80 cc	1.00000
11	C038517	ADJUSTING STEERING COLUMN L=150	1.00000
12	C090030	GREASER NIPPLE M10x1 UNI 7663A	2.00000
13	C230164	FLANGED PIN Ø30 L=66	2.00000
14	C281744	POWER STEERING CYLINDER	1.00000
15	C281765	FLANGED PIN Ø40 L=90	2.00000
16	C285870	SELF-LEVELING CYLINDER	1.00000
17	C281783	POWER STEERING CYLINDER PROTECTION COVER	1.00000



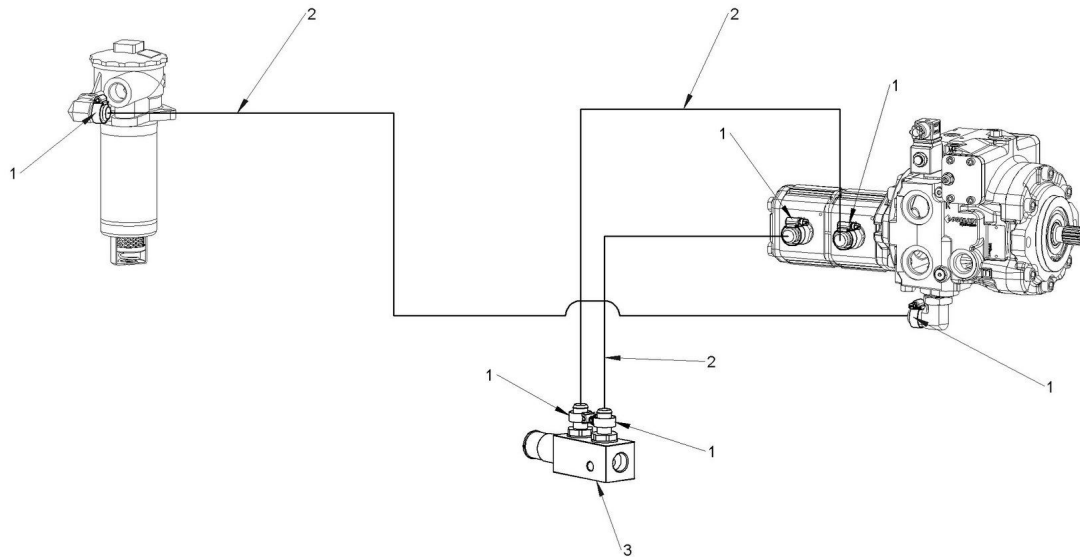
Draft and part list report
Serial n / code M354818 / C964008
Description MULTIONE 8.5SK 3^G STAGE5

18	C282911	∅40-∅30,2-4 SPACER	2.00000
19	C285871	LIFTING BOOM CYLINDER	1.00000
20	C036829	C281744 SEAL KIT	1.00000
21	C036803	SEAL KIT FOR CYLINDER DIAM. 80	1.00000
22	C036821	CYLINDER SEAL KIT BORE 90 ROD 35	1.00000



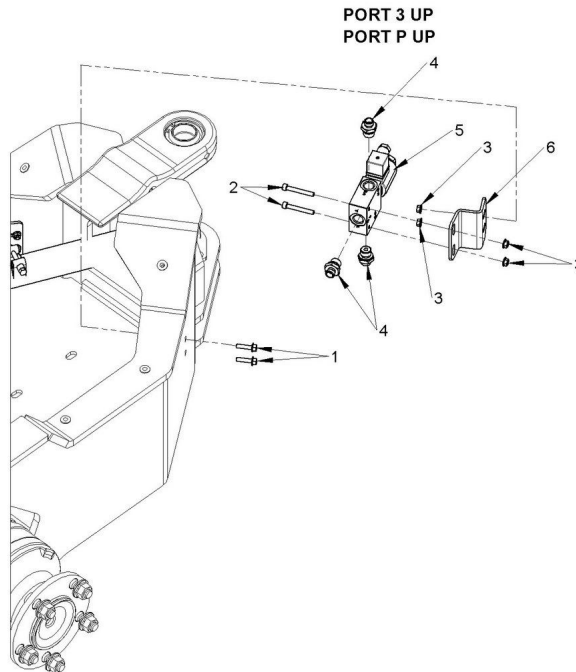
Component list [TAV. 14 OIL SUCTION COLLECTOR]

Pos.	Code	Description	Q.ty
1	C019213	DIN 6921 M6x25 FLANGED HEAD SCREW	2.00000
2	C020241	UNI EN ISO 4762 M6x70 HEX SOCKET HEAD CAP SCREW	2.00000
3	C021018	M6 SERPRESS SLOTTED HEX NUT	4.00000
4	C029046	STAINLESS STEEL CLAMP 20-32 BELT 12	4.00000
5	C029049	STEEL BELT 43/47 MM	2.00000
6	C030120	OIL SUCTION HOSE $\varnothing 38$ - $\varnothing 47$ x420	1.00000
7	C030381	MALE PLUG 3/8" G	1.00000
8	C030543	3/4" G BONDED WASHER	2.00000
9	C030547	3/8" G BONDED WASHER	1.00000
10	C033004	MALE-MALE CONNECTOR 3/4" G - 22L	1.00000
11	C033096	90° ELBOW SW.M 1/4" G - M 8L	1.00000
12	C033134	MALE-MALE CONNECTOR 1/4" G - 8L	1.00000
13	C033300	STRAIGHT HOSE CONNECTOR 3/4" G F - 3/4" HOSE	2.00000
14	C035107	$\varnothing 38$ 1 PLACE PIPE BELT	1.00000
15	C274183/L	INTAKE OIL COLLECTOR	1.00000
16	C281656	OIL SUCTION MANIFOLD / DOUBLE SPEEDD VALVE SUPPORT	1.00000



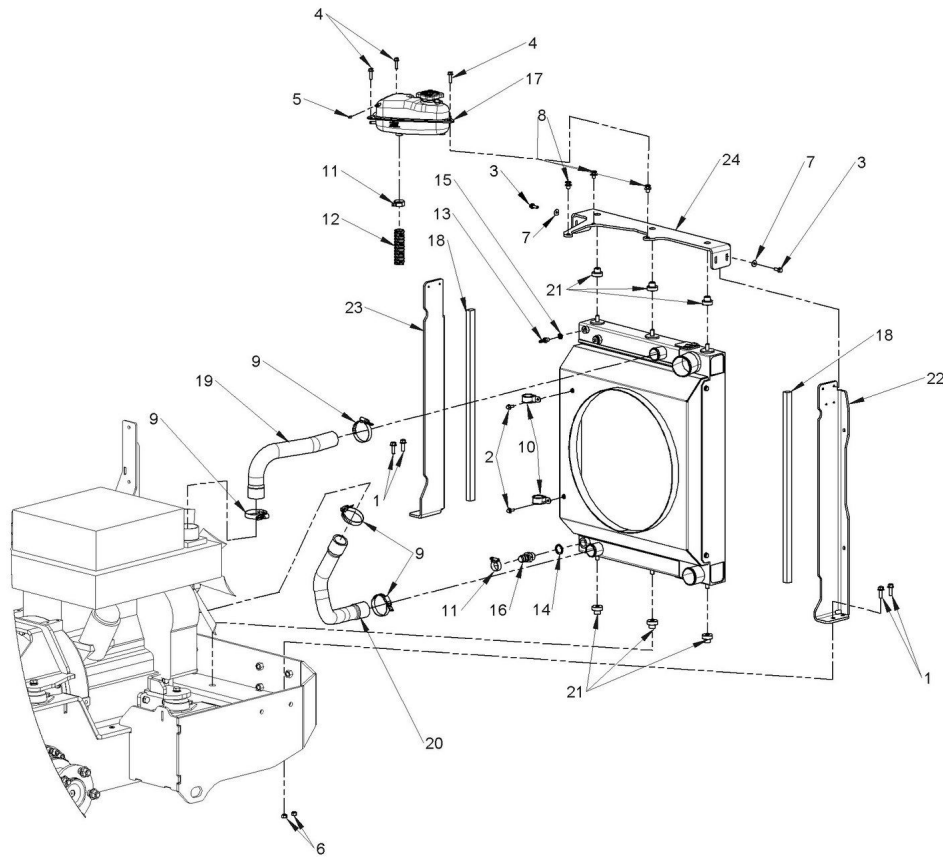
Component list [TAV. 15 OIL SUCTION PIPES]

Pos.	Code	Description	Q.ty
1	C029046	STAINLESS STEEL CLAMP 20-32 BELT 12	6.00000
2	C030102	OIL SUCTION HOSE Ø19x28	1.00000
3	C274183/L	INTAKE OIL COLLECTOR	1.00000



Component list [TAV. 16 2 SPEED VALVES]

Pos.	Code	Description	Q.ty
1	C019213	DIN 6921 M6x25 FLANGED HEAD SCREW	2.00000
2	C020216	UNI EN ISO 4762 M6x45 HEX SOCKET HEAD CAP SCREW	2.00000
3	C021018	M6 SERPRESS SLOTTED HEX NUT	4.00000
4	C033133	MALE-MALE CONNECTOR 3/8" G - 8L	3.00000
5	C036621	ELECTROVALVE 3 WAY 3/8 G COIL 12V DC	1.00000
6	C281656	OIL SUCTION MANIFOLD / DOUBLE SPEEDD VALVE SUPPORT	1.00000



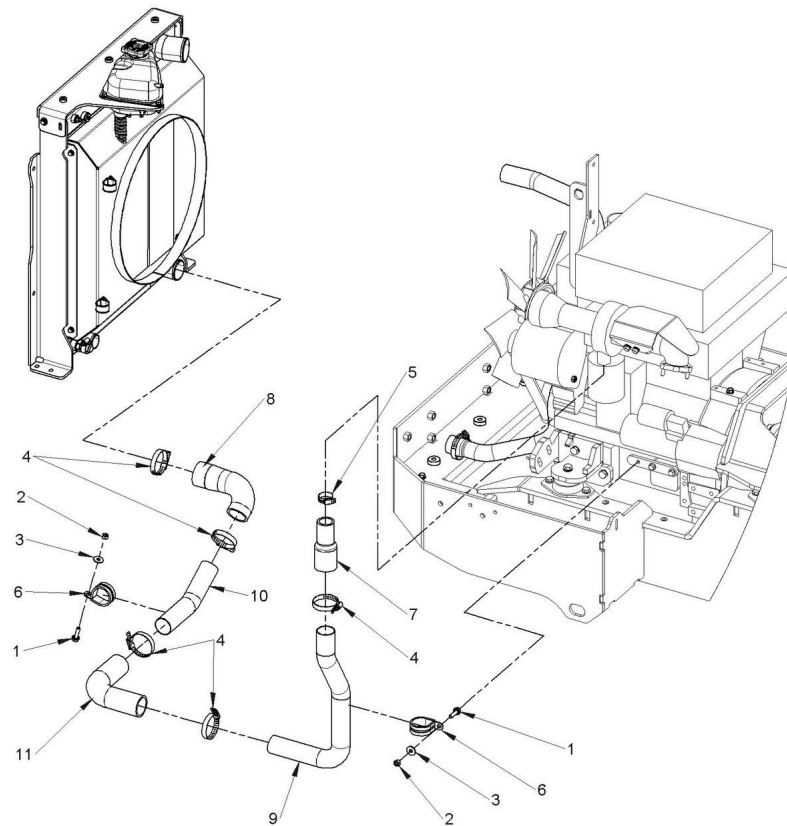
Component list [TAV. 17 ENGINE COOLER SUPPORTS]

Pos.	Code	Description	Q.ty
1	C019203	DIN 6921 M8x25 FLANGED HEAD SCREW	4.00000
2	C019211	DIN 6921 M6x16 FLANGED HEAD SCREW	2.00000
3	C019212	DIN 6921 M6x20 FLANGED HEAD SCREW	2.00000
4	C019213	DIN 6921 M6x25 FLANGED HEAD SCREW	3.00000
5	C020572	M6x10 HEX SOCKET SCREW W/FLAT POINT AND 0,8 HOLE	1.00000
6	C021502	SLOTTED AND CASTLE HEXAGON NUTS M8 DIN980	4.00000
7	C023110	UNI 6593 LARGE WASHER M6 - 6,5x18x1,5	2.00000
8	C028297	THREAD INSERT M6	3.00000
9	C029031	STAINLESS STEEL CLAMP 40-60 BELT 12	4.00000
10	C029033	HOSE CLAMP WITH RUBBER Ø30	2.00000
11	C029046	STAINLESS STEEL CLAMP 20-32 BELT 12	2.00000
12	C030102	OIL SUCTION HOSE Ø19x28	1.00000
13	C030407	OUTLET CONNECTOR M 1/8""G FOR PIPE 7x12	1.00000
14	C030542	1/2" G BONDED WASHER	1.00000
15	C030549	1/8" G BONDED WASHER	1.00000
16	C033301	STRAIGHT HOSE FITTING 1/2" G - 3/4" HOSE	1.00000
17	C034152	COOLANT EXPANSION TANK	1.00000



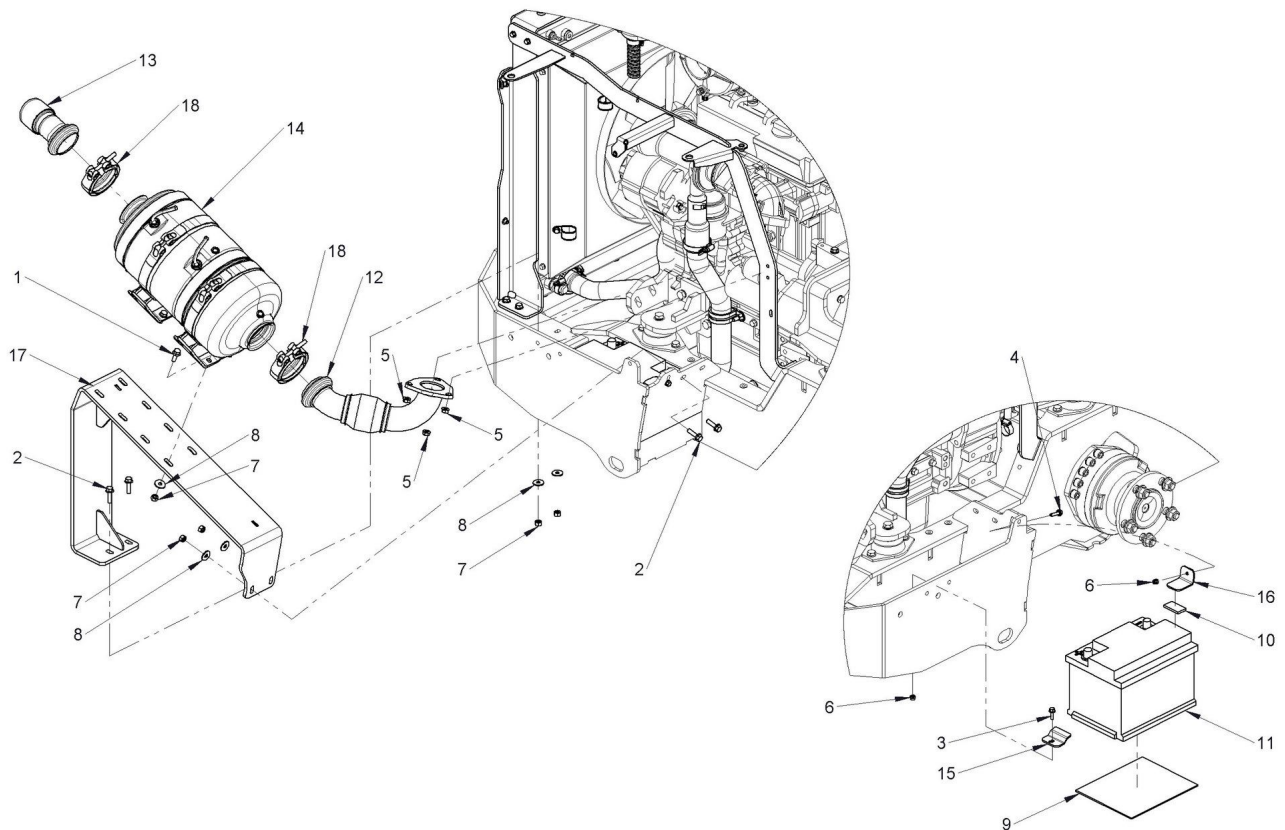
Draft and part list report
Serial n / code M354818 / C964008
Description MULTIONE 8.5SK 3^G STAGE5

18	C035040	BLACK MOUSSE 20x15	2.00000
19	C035169	UPPER ENGINE COOLER PIPE, KOHLER	1.00000
20	C035170	LOWER ENGINE COOLER PIPE, KOHLER	1.00000
21	C036017	ENGINE COOLER DAMPING PAD	6.00000
22	C282107	LEFT ENGINE COOLER SUPPORT	1.00000
23	C282108	RIGHT ENGINE COOLER SUPPORT	1.00000
24	C285848	OVER ENGINE COOLER SUPPORT	1.00000



Component list [TAV. 18 INTERCOOLER PIPE]

Pos.	Code	Description	Q.ty
1	C019204	DIN 6921 M8x30 FLANGED HEAD SCREW	2.00000
2	C021502	SLOTTED AND CASTLE HEXAGON NUTS M8 DIN980	2.00000
3	C023100	UNI 6593 LARGE WASHER M8 - 8,5x24x2	2.00000
4	C029031	STAINLESS STEEL CLAMP 40-60 BELT 12	5.00000
5	C029032	STAINLESS STEEL CLAMP 30-45 BELT 12	1.00000
6	C029041	Ø45 STAINLESS STEEL CLAMP W/RUBBER	2.00000
7	C036025	TURBO TO INTERCOOLER PIPE	1.00000
8	C036049	TURBO TO INTERCOOLER PIPE	1.00000
9	C036053	Ø50 PIPE COMPRESSOR-INTERCOOLER	1.00000
10	C036054	Ø50 PIPE COMPRESSOR-INTERCOOLER	1.00000
11	C036055	SILICON TUBE Ø45	1.00000



Component list [TAV. 19 BATTERY AND MUFFLER]

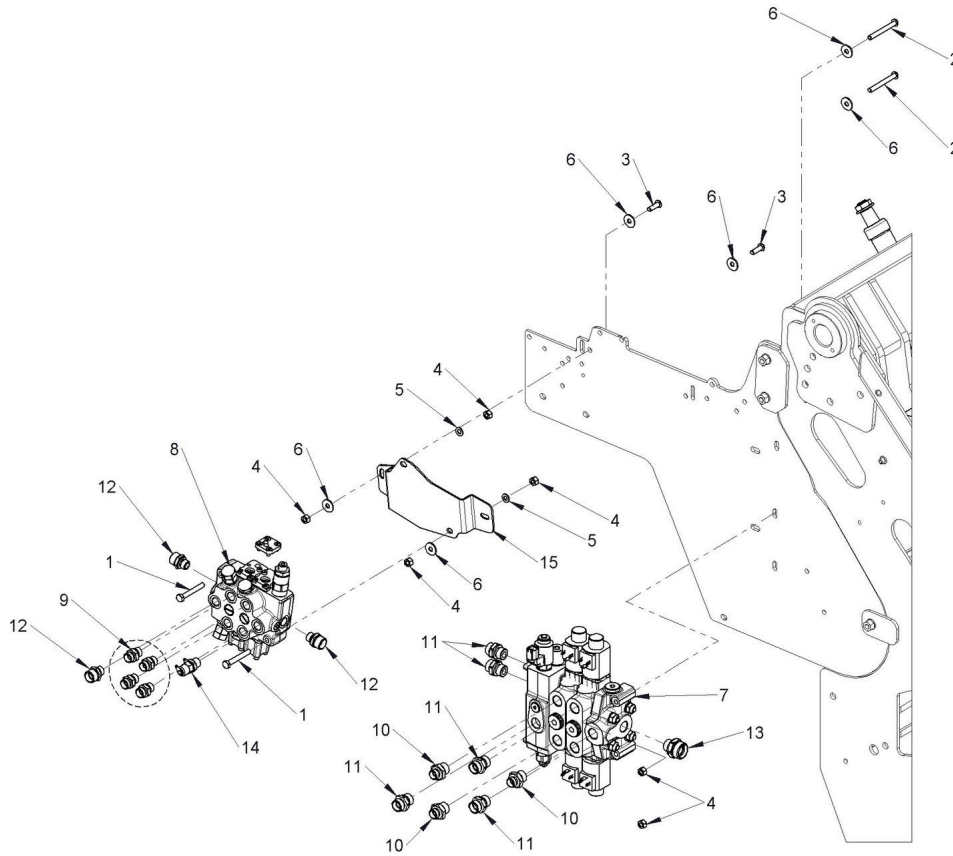
Pos.	Code	Description	Q.ty
1	C019203	DIN 6921 M8x25 FLANGED HEAD SCREW	8.00000
2	C019204	DIN 6921 M8x30 FLANGED HEAD SCREW	4.00000
3	C019212	DIN 6921 M6x20 FLANGED HEAD SCREW	1.00000
4	C019213	DIN 6921 M6x25 FLANGED HEAD SCREW	1.00000
5	C021011	ISO 4161 M8 HEX NUT W/SERRATE FLANGE	3.00000
6	C021104	UNI 7473 SELF-LOCKING NUT M6	2.00000
7	C021502	SLOTTED AND CASTLE HEXAGON NUTS M8 DIN980	12.00000
8	C023100	UNI 6593 LARGE WASHER M8 - 8,5x24x2	12.00000
9	C029253	SILENT BLOCK RUBBER PANNEL 210x175x3	1.00000
10	C035000	FOAM BLACK ADHESIVE 25x5	1.00000
11	C036432	BATTERY 12V 62AH	1.00000
12	C039231	M1 8.5 KOHLER MUFFLER	1.00000
13	C039232	M1 8.5 KOHLER MUFFLER	1.00000
14	C039234	KOHLER STAGE5 DOC+DPF	1.00000
15	C277108	BATTERY BRACKET	1.00000
16	C285844	UPPER BATTERY SUPPORT	1.00000
17	C285910	8.5K DPF SUPPORT	1.00000



Draft and part list report
Serial n / code M354818 / C964008
Description MULTIONE 8.5SK 3^G STAGE5

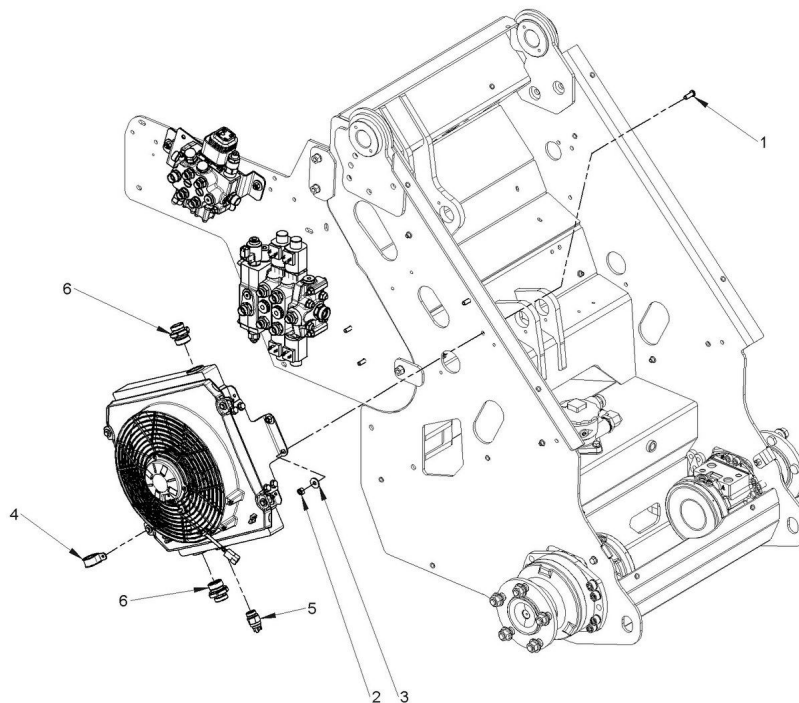
18 FF186/ED0036302760 DPF CLAMP

2.00000



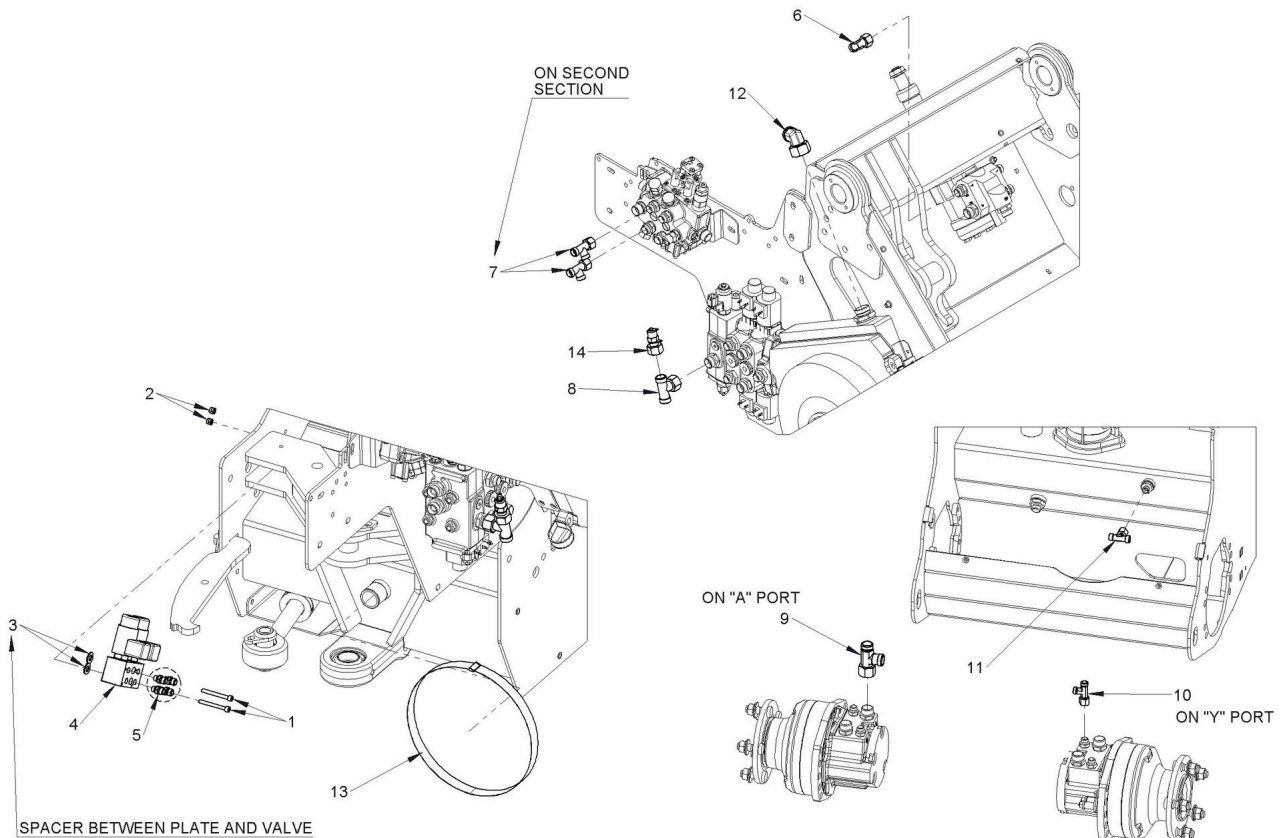
Component list [TAV. 20 VALVE BANKS]

Pos.	Code	Description	Q.ty
1	C020080	HEXAGON HEAD SCREW M8x60 UNI 5739	2.00000
2	C020539	ISO 7380 M8x70 HEX SOCKET OVAL HEAD SCREW	2.00000
3	C020543	ISO 7380 M8x25 HEX SOCKET OVAL HEAD SCREW	2.00000
4	C021502	SLOTTED AND CASTLE HEXAGON NUTS M8 DIN980	6.00000
5	C023071	UNI 6592 FLAT WASHER M8 - 8,4x16x1,6	2.00000
6	C023100	UNI 6593 LARGE WASHER M8 - 8,5x24x2	6.00000
7	C030778	2 SECTION ELECTRIC HYDR DISTRIBUTOR	1.00000
8	C030779	2 SECTION HYDR DISTRIBUTOR	1.00000
9	C033001	MALE-MALE CONNECTOR 3/8" G - 12 L	4.00000
10	C033002	MALE-MALE CONNECTOR 1/2" G - 12L	3.00000
11	C033003	MALE-MALE CONNECTOR 1/2" G - 15L	5.00000
12	C033010	MALE-MALE CONNECTOR 3/8" G - 15L	3.00000
13	C033014	MALE-MALE CONNECTOR 1/2" G - 22L	1.00000
14	C037002	MANOMETER QUICK PLUG 3/8"	1.00000
15	C285830	DISTRIBUTOR SUPPORT 2ND GEN	1.00000



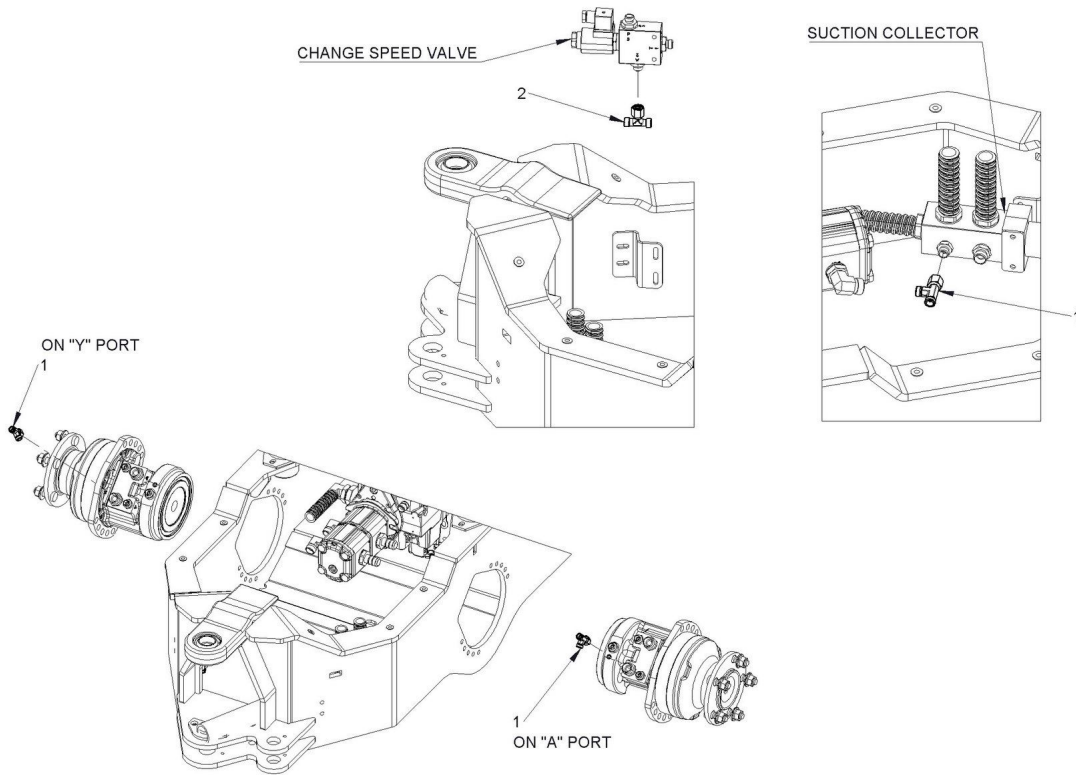
Component list [TAV. 21 OIL COOLER FIXING]

Pos.	Code	Description	Q.ty
1	C020543	ISO 7380 M8x25 HEX SOCKET OVAL HEAD SCREW	4.00000
2	C021502	SLOTTED AND CASTLE HEXAGON NUTS M8 DIN980	4.00000
3	C023100	UNI 6593 LARGE WASHER M8 - 8,5x24x2	4.00000
4	C029033	HOSE CLAMP WITH RUBBER Ø30	1.00000
5	C030606	THERMOSWITCH 50-60° M22x1,5	1.00000
6	C033137	MALE-MALE CONNECTOR 1" G - 22L	2.00000



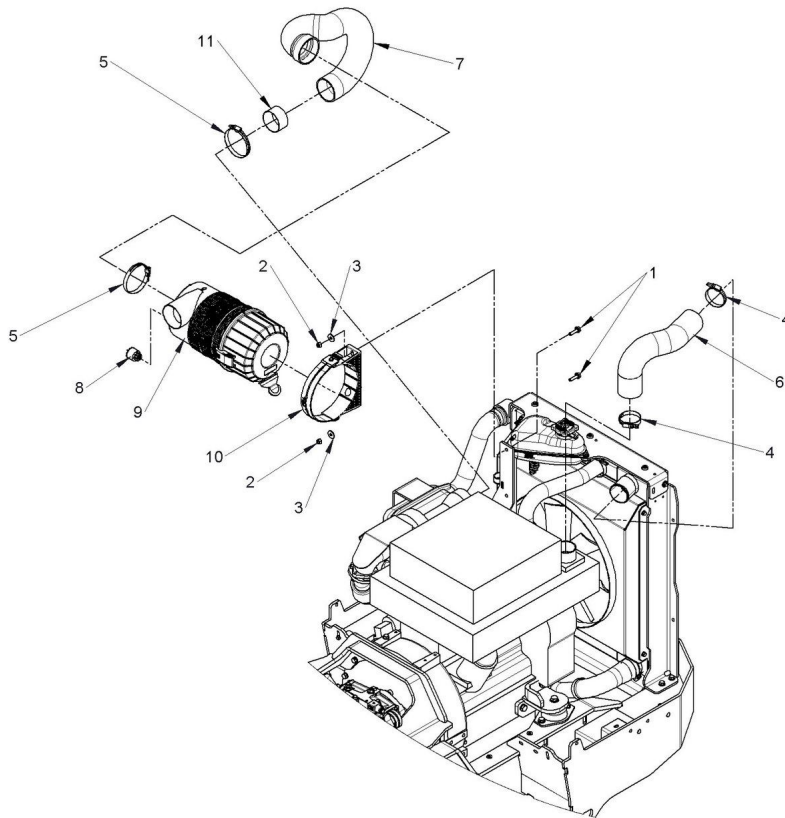
Component list [TAV. 22 FRONT FITTINGS]

Pos.	Code	Description	Q.ty
1	C020211	UNI EN ISO 4762 M6x55 HEX SOCKET HEAD CAP SCREW	2.00000
2	C021104	UNI 7473 SELF-LOCKING NUT M6	2.00000
3	C023080	UNI 6592 FLAT WASHER M10 - 10,5x20x2	2.00000
4	C030875	CRUISE CONTROL VALVE	1.00000
5	C033008	MALE-MALE CONNECTOR 1/8" G - 6L	4.00000
6	C033024	90° ELBOW SW. F 12L - M 12L	1.00000
7	C033032	TEE FITTING SW.F-M-M 12L	2.00000
8	C033034	TEE FITTING M-SW.F-M 15L	1.00000
9	C033083	TEE FITTING SW.F-M-M 16S	1.00000
10	C033085	TEE FITTING SW.F-M-M 8L	1.00000
11	C033086	TEE FITTING M-SW.F-M 8L	1.00000
12	C033130	90° ELBOW SW.F 22L - M 22L	1.00000
13	C035300	80 CM BLACK BELT WITH CLAMP	1.00000
14	C037007	MANOMETER QUICK PLUG F 15L	1.00000



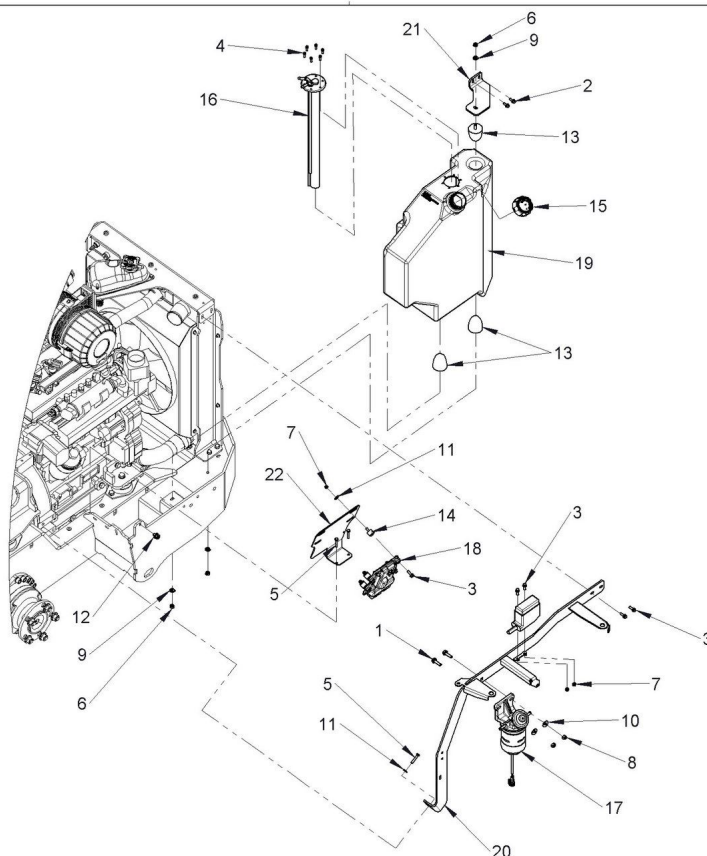
Component list [TAV. 23 REAR FITTINGS]

Pos.	Code	Description	Q.ty
1	C033085	TEE FITTING SW.F-M-M 8L	3.00000
2	C033086	TEE FITTING M-SW.F-M 8L	1.00000



Component list [TAV. 24 AIR FILTERS]

Pos.	Code	Description	Q.ty
1	C019204	DIN 6921 M8x30 FLANGED HEAD SCREW	2.00000
2	C021502	SLOTTED AND CASTLE HEXAGON NUTS M8 DIN980	2.00000
3	C023100	UNI 6593 LARGE WASHER M8 - 8,5x24x2	2.00000
4	C029034	STAINLESS STEEL CLAMP 60-80 BELT 12	2.00000
5	C029043	STAINLESS STEEL CLAMP 80-100 BELT 12	2.00000
6	C036023	INTERCOOLER TO ENGINE KDI PIPE	1.00000
7	C036061	AIR INTAKE RUBBER HOSE	1.00000
8	C036654	AIR FILTER PRESSURE SWITCH	1.00000
9	C039078	7 INCH AIR FILTER BODY	1.00000
10	C039144	7 INCH AIR FILTER FAST CLAMP	1.00000
11	C285869	∅68x2 REINFORCEMENT PIPE	1.00000



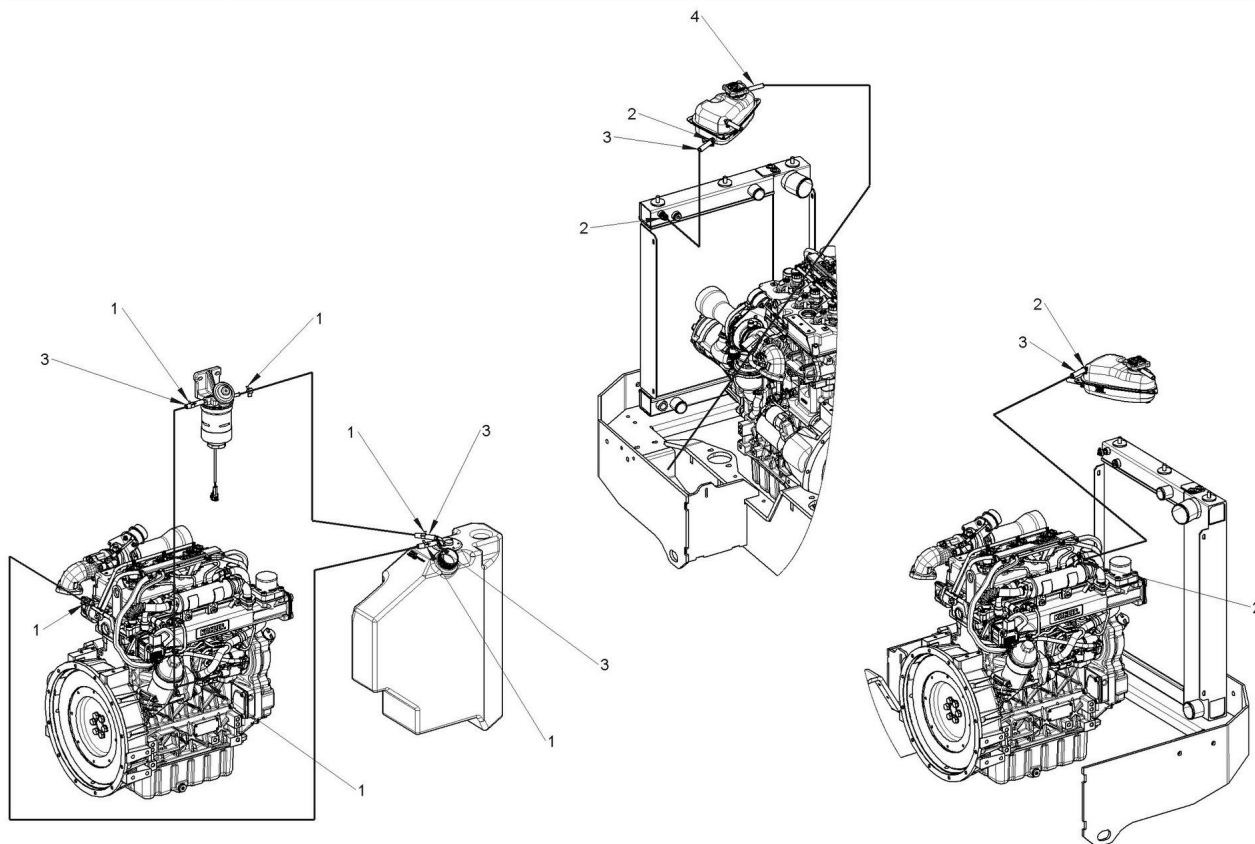
Component list [TAV. 25 FUEL TANK]

Pos.	Code	Description	Q.ty
1	C019204	DIN 6921 M8x30 FLANGED HEAD SCREW	2.00000
2	C019211	DIN 6921 M6x16 FLANGED HEAD SCREW	2.00000
3	C019212	DIN 6921 M6x20 FLANGED HEAD SCREW	8.00000
4	C020036	UNI EN ISO 4762 M5X16 HEX SOCKET HEAD CAP SCREW	6.00000
5	C020054	HEXAGON HEAD SCREW M6x35 ZB UNI 4017	3.00000
6	C021010	NUT E 6S M8 UNI 5588	3.00000
7	C021104	UNI 7473 SELF-LOCKING NUT M6	6.00000
8	C021502	SLOTTED AND CASTLE HEXAGON NUTS M8 DIN980	2.00000
9	C023041	M8 NORD LOCK WASHER	3.00000
10	C023100	UNI 6593 LARGE WASHER M8 - 8,5x24x2	2.00000
11	C023110	UNI 6593 LARGE WASHER M6 - 6,5x18x1,5	5.00000
12	C028288	THREAD INSERT M6	2.00000
13	C035139	SILENT BLOCK T-50 Ø50 H=58 M8x20 MALE THREAD	3.00000
14	C035199	SILENT BLOCK DIAM. 20 H=15 MALE-FEMALE M6	4.00000
15	C038723	FUEL CUP, NO KEY	1.00000
16	C038758	FLOATING FUEL SENSOR L=515	1.00000
17	C039185	COMPLETE FUEL FILTER	1.00000



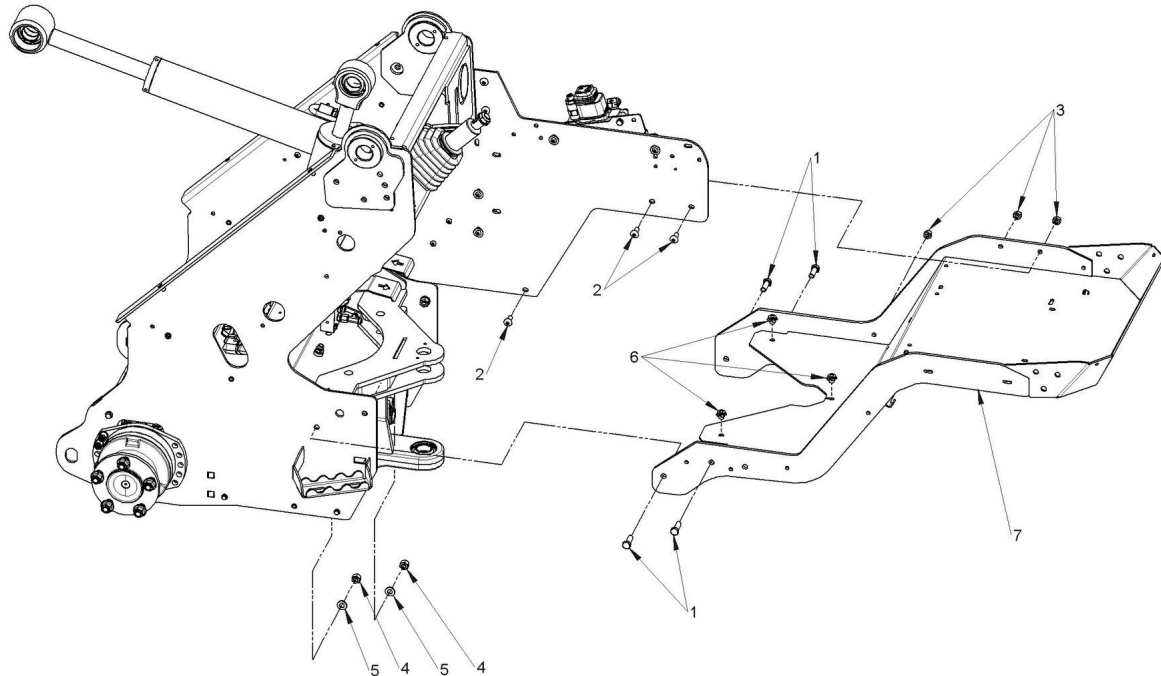
Draft and part list report
Serial n / code M354818 / C964008
Description MULTIONE 8.5SK 3^G STAGE5

18	C039613	ECU KOHLER 42KW@2600 RPM STAGE5	1.00000
19	C220490	34 LT FUEL TANK MULTIONE 7-8 SERIE	1.00000
20	C282160	REAR LEFT COVER SUPPORT	1.00000
21	C282190	FUEL TANK BRACKET	1.00000
22	C285926	ENGINE ECU SUPPORT	1.00000



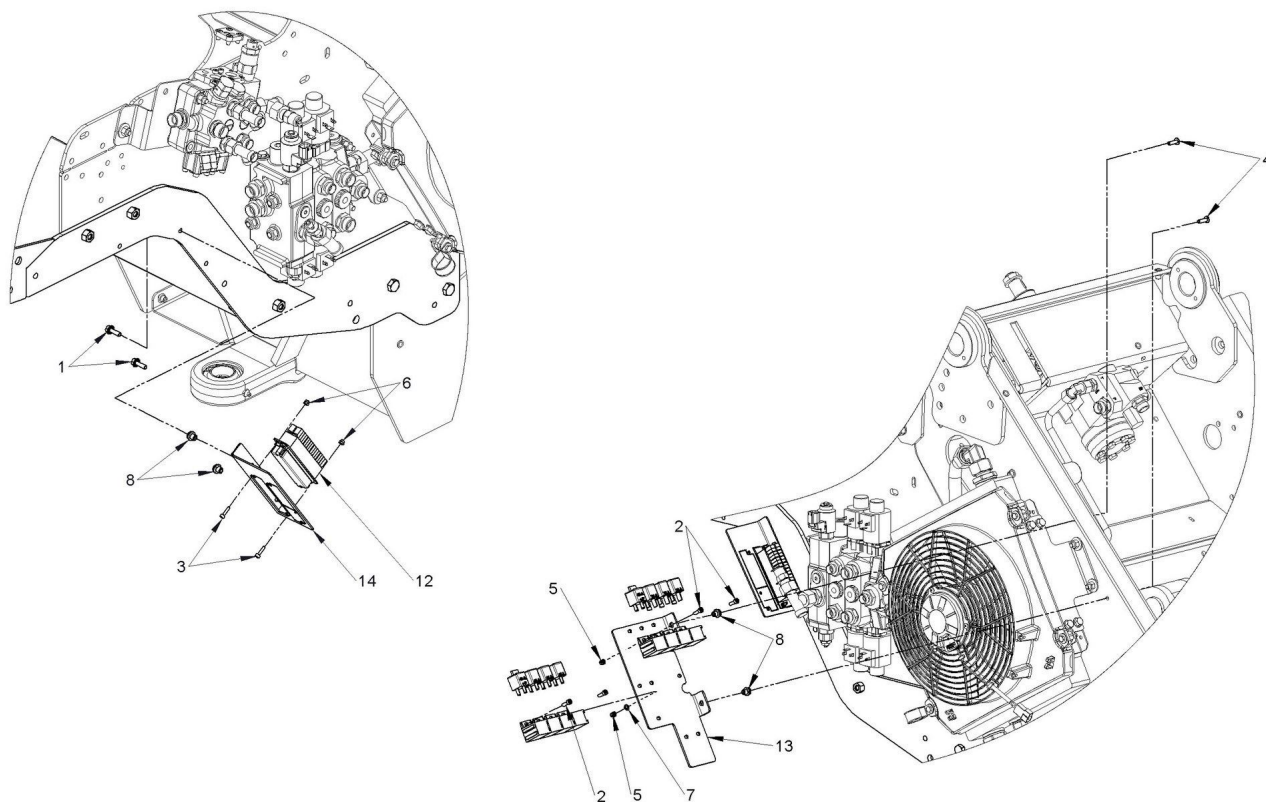
Component list [TAV. 26 FUEL PIPES]

Pos.	Code	Description	Q.ty
1	C029036	SPRING CLAMP 12-14	6.00000
2	C029038	STEEL BAND 10-16	4.00000
3	C035003	FUEL HOSE 7x13	5.00000
4	C035018	WATER HOSE 7x12	1.00000



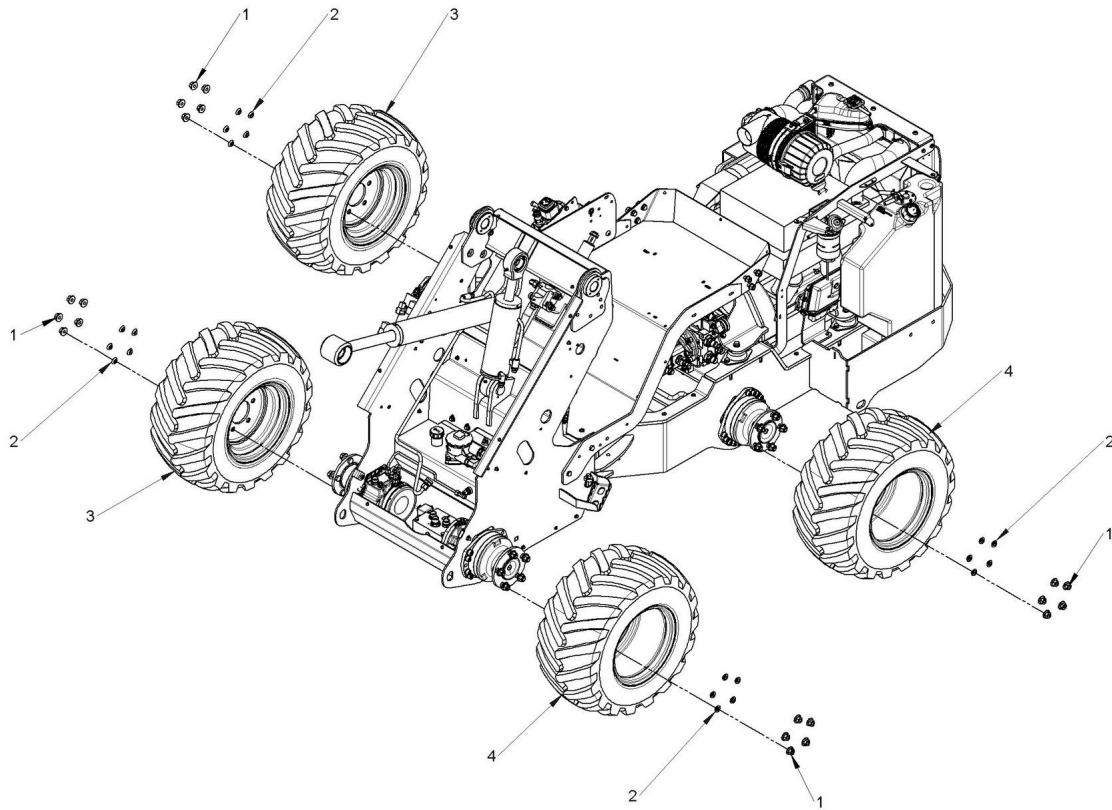
Component list [TAV. 27 SEAT SUPPORT]

Pos.	Code	Description	Q.ty
1	C020133	HEXAGON HEAD BOLT 10.9 M12x35 ISO 4017	4.00000
2	C020550	ISO 7380 M10x25 HEX SOCKET OVAL HEAD SCREW	3.00000
3	C021503	SLOTTED AND CASTLE HEXAGON NUTS M10 DIN980	3.00000
4	C021504	SLOTTED AND CASTLE HEXAGON NUTS M12 DIN980	4.00000
5	C023102	UNI 6592 FLAT WASHER M12 - 13x24x2,5	4.00000
6	C028298	THREAD INSERT M8	3.00000
7	C281763	FIXING BASE SEAT M1 6->10	1.00000



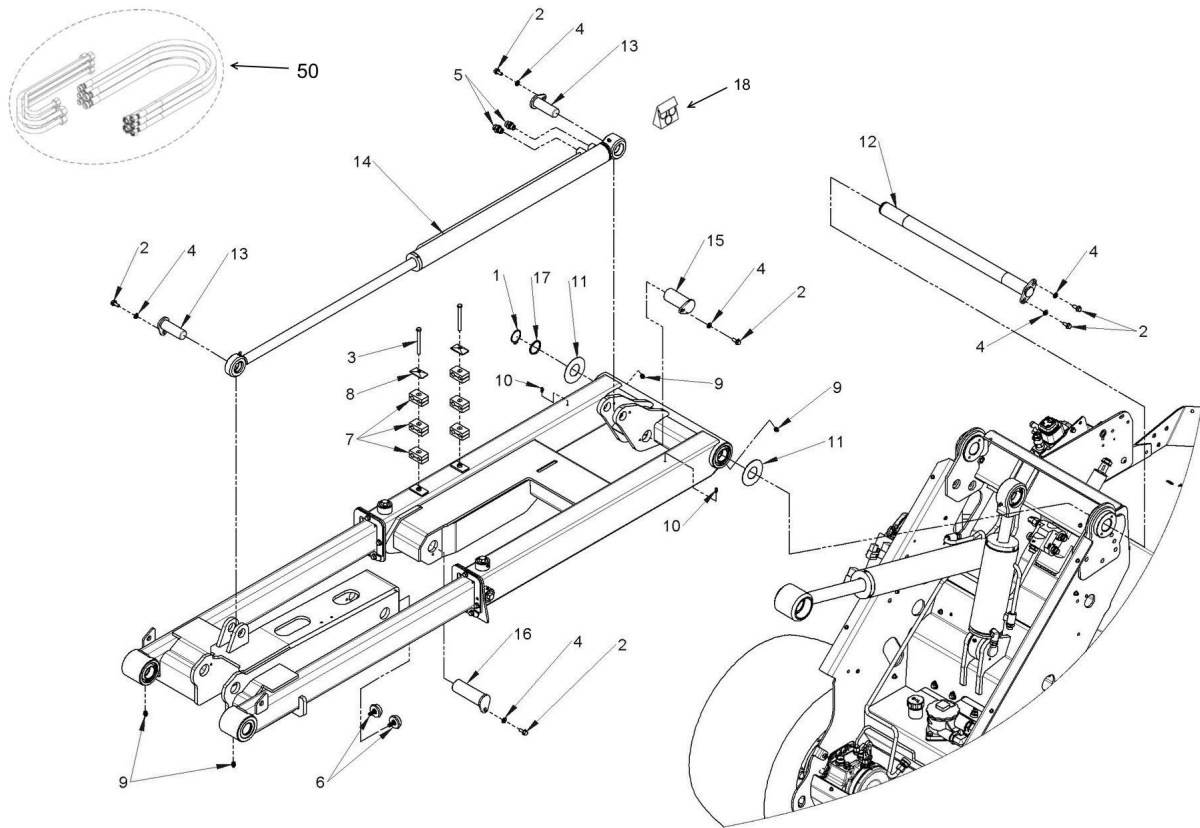
Component list [TAV. 28 RELAYS AND FUSES]

Pos.	Code	Description	Q.ty
1	C019212	DIN 6921 M6x20 FLANGED HEAD SCREW	2.00000
2	C020036	UNI EN ISO 4762 M5X16 HEX SOCKET HEAD CAP SCREW	4.00000
3	C020283	UNI EN ISO 4762 M4x16 HEX SOCKET HEAD CAP SCREW	2.00000
4	C020548	ISO 7380 M6x20 HEX SOCKET OVAL HEAD SCREW	2.00000
5	C021102	UNI 7473 SELF-LOCKING NUT M5	4.00000
6	C021103	UNI 7473 SELF-LOCKING NUT M4	2.00000
7	C023072	UNI 6592 FLAT WASHER M5 - 5,3x10x1	2.00000
8	C028294	THREAD INSERT M6	4.00000
12	C038157	8 LINES FUSE BOX	1.00000
13	C281639	RELAY SUPPORT	1.00000
14	C281852	FUSE SUPPORT	1.00000



Component list [TAV. 29 WHEELS]

Pos.	Code	Description	Q.ty
1	C021135	FLANGED NUT M14X1.5 FOR POCLAIN WHEEL MOTOR	20.00000
2	C023500	WASHER LIMES D.14 FOR GT WHEEL SCREWS	20.00000
3	C040036	TRACTOR WHEEL 31X15.50-15 OFFSET -100	2.00000
4	C040036	TRACTOR WHEEL 31X15.50-15 OFFSET -100	2.00000



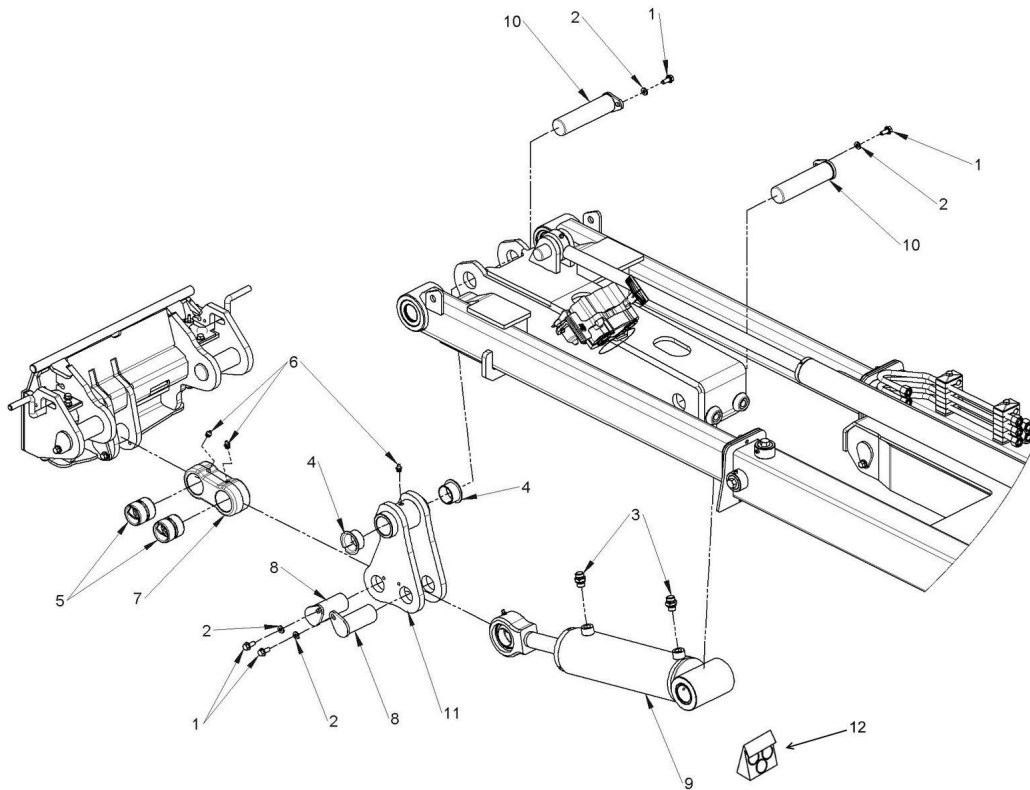
Component list [TAV. 30 BOOM]

Pos.	Code	Description	Q.ty
1	C018300	SHAFT SEEGER RING Ø40 UNI 7435	1.00000
2	C019202	DIN 6921 M8x20 FLANGED HEAD SCREW	6.00000
3	C020082	UNI 5739 M8x90 HEX HEAD SCREW	2.00000
4	C023041	M8 NORD LOCK WASHER	6.00000
5	C033001	MALE-MALE CONNECTOR 3/8" G - 12 L	2.00000
6	C035078	RUBBER END	2.00000
7	C035119	DOUBLE HOSE BARCKET, Ø12 AND Ø15	6.00000
8	C035140	UPPER PLATE FOR DOUBLE HOSE HOLDER	2.00000
9	C090030	GREASER NIPPLE M10x1 UNI 7663A	4.00000
10	C090032	GREASER M6x1 UNI 7663A	2.00000
11	C274024	Ø88-Ø40,5 TH 1,5 SPACER	2.00000
12	C281623	Ø40x635 PIN	1.00000
13	C281704	Ø30x85 PIN	2.00000
14	C281745	TELESCOPIC BOOM CYLINDER	1.00000
15	C281765	FLANGED PIN Ø40 L=90	1.00000
16	C281799	PIN Ø40 L=120	1.00000
17	C284489	Ø40-Ø46 TH 3 SPACER	1.00000



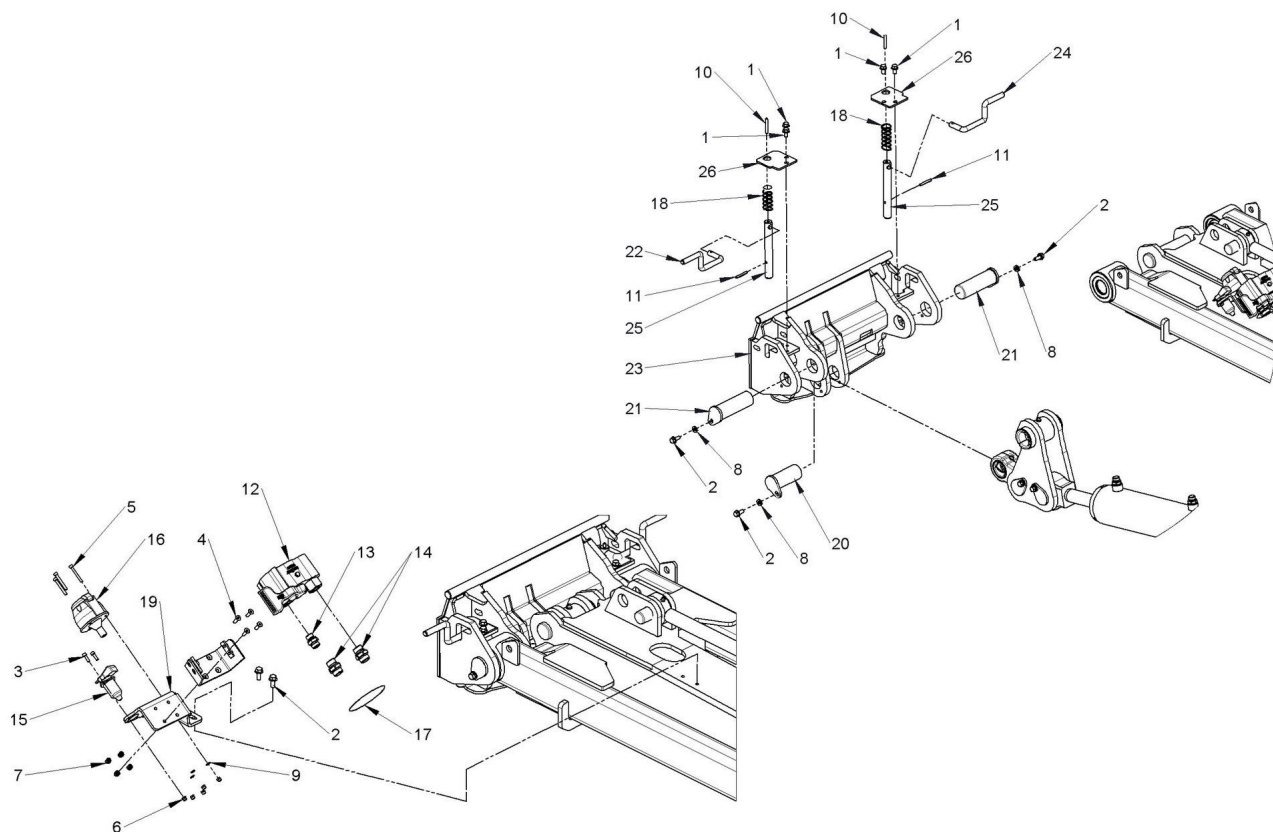
Draft and part list report
Serial n / code M354818 / C964008
Description MULTIONE 8.5SK 3^G STAGE5

18	C036805	SEAL KIT FOR CYLINDER BORE 50 ROD 30	1.00000
50	C810526	BSP BOOM HOSES M1 8.5 2nd GEN	1.00000



Component list [TAV. 31 TILTING PLATE]

Pos.	Code	Description	Q.ty
1	C019202	DIN 6921 M8x20 FLANGED HEAD SCREW	9.00000
2	C023041	M8 NORD LOCK WASHER	7.00000
3	C033001	MALE-MALE CONNECTOR 3/8" G - 12 L	2.00000
4	C037641	FLANGED BUSHING Ø40x44x55x25	2.00000
5	C037689	SIBO BUSHING 50x40x50	2.00000
6	C090030	GREASER NIPPLE M10x1 UNI 7663A	3.00000
7	C281713	COUPLING PLATE ROD	1.00000
8	C281765	FLANGED PIN Ø40 L=90	3.00000
9	C281773	90-35-236 TILT PLATE CYLINDER M1 7-8 SD 7-8	1.00000
10	C281779	PIN Ø40 L=155	2.00000
11	C281780	FIRST TILT LEVER	1.00000
12	C036821	CYLINDER SEAL KIT BORE 90 ROD 35	1.00000



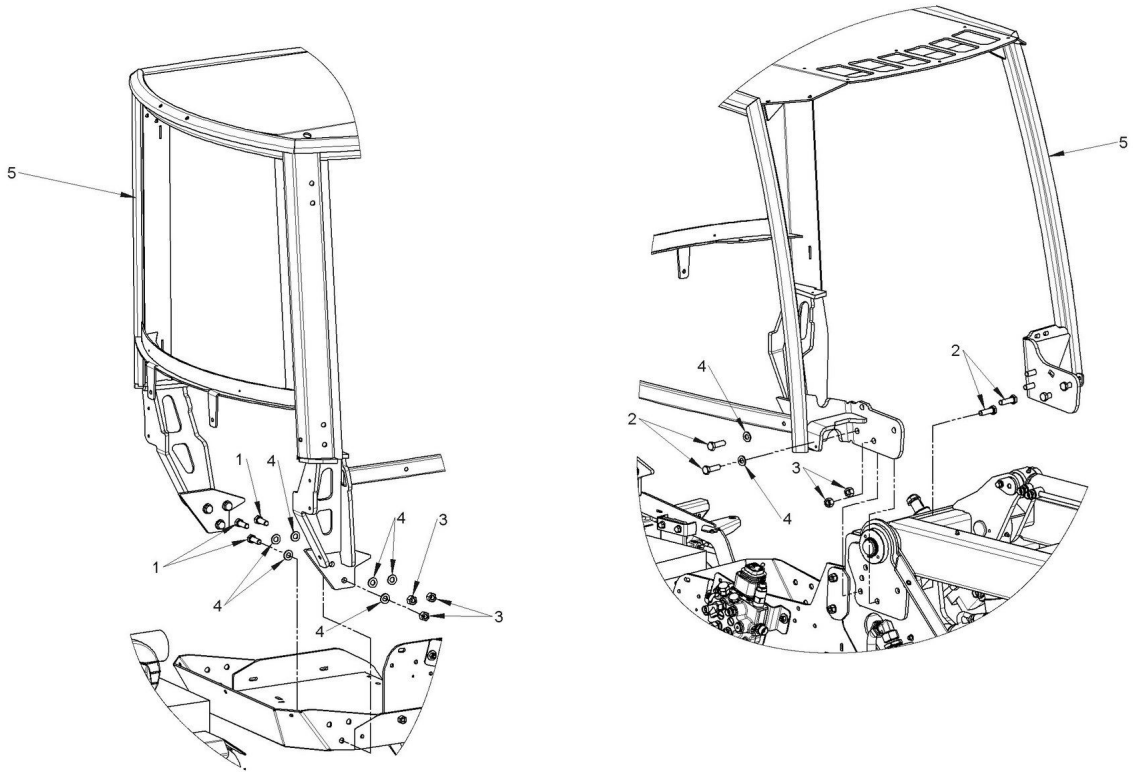
Component list [TAV. 32 COUPLING PLATE]

Pos.	Code	Description	Q.ty
1	C019201	DIN 6921 M8x16 FLANGED HEAD SCREW	4.00000
2	C019202	DIN 6921 M8x20 FLANGED HEAD SCREW	7.00000
3	C020036	UNI EN ISO 4762 M5X16 HEX SOCKET HEAD CAP SCREW	2.00000
4	C020187	UNI 5933 M6x20 HEX SOCKET COUNTERSUNK CAP SCREW	4.00000
5	C020267	UNI EN ISO 4762 M5x40 HEX SOCKET HEAD CAP SCREW	3.00000
6	C021102	UNI 7473 SELF-LOCKING NUT M5	5.00000
7	C021104	UNI 7473 SELF-LOCKING NUT M6	4.00000
8	C023041	M8 NORD LOCK WASHER	5.00000
9	C023072	UNI 6592 FLAT WASHER M5 - 5,3x10x1	3.00000
10	C028249	ISO 2338 PIN Ø6x45	2.00000
11	C028267	SPRING TYPE STRAIGHT PIN Ø6x40 UNI 6875	2.00000
12	C030497	HYDRAULIC MULTICONNECTOR, MACHINE 3 WAY	1.00000
13	C033001	MALE-MALE CONNECTOR 3/8" G - 12 L	3.00000
14	C033003	MALE-MALE CONNECTOR 1/2" G - 15L	2.00000
15	C036431	12V 3 POLES FEMALE SOCKET	1.00000
16	C038193	7 POLES SOCKET, MACHINE SIDE	1.00000
17	C038772	LATCH	1.00000



Draft and part list report
Serial n / code M354818 / C964008
Description MULTIONE 8.5SK 3^G STAGE5

18	C220330	COMPRESSION SPRING	2.00000
19	C281640	MULTICONNECTOR PLATE SUPPORT	1.00000
20	C281765	FLANGED PIN Ø40 L=90	3.00000
21	C281799	PIN Ø40 L=120	2.00000
22	C281827	LEFT LEVER, COUPLING PLATE	1.00000
23	C281860	COUPLING PLATE	1.00000
24	C281869	RIGHT LEVER, COUPLING PLATE	1.00000
25	C281870/L	LOCKIN ATTACHMENTS PIN	2.00000
26	C281871	CENTERING PIN PLATE	2.00000

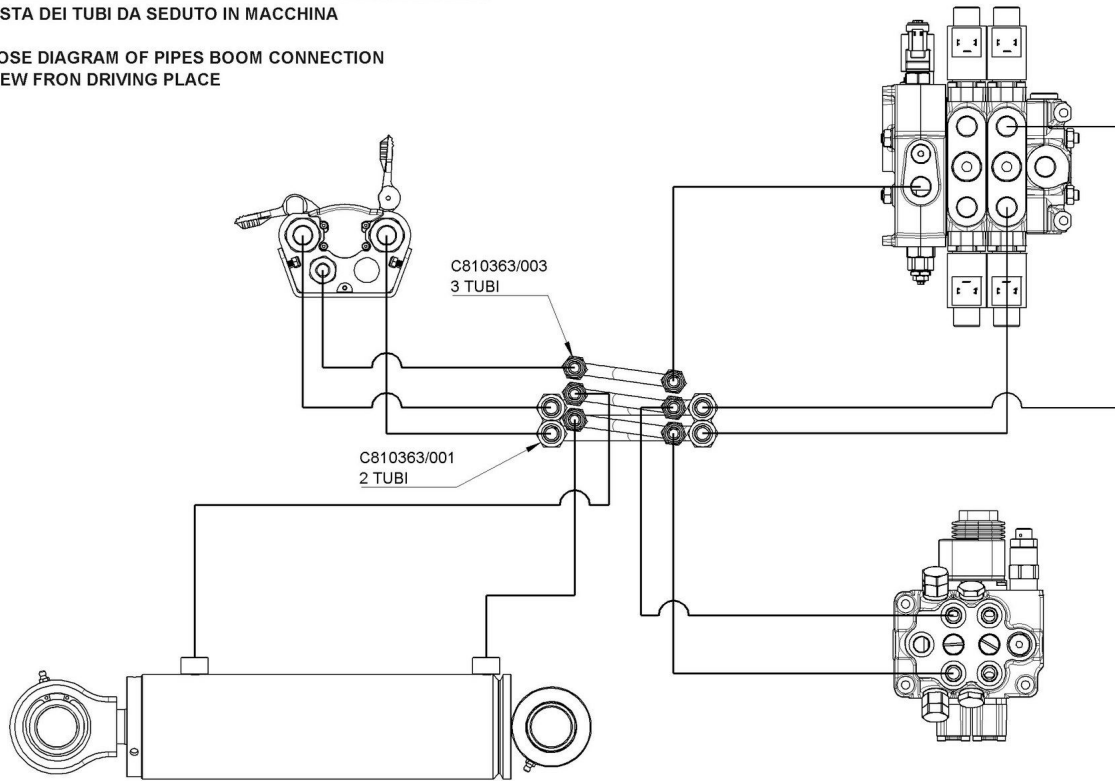


Component list [TAV. 33 ROLL BAR]

Pos.	Code	Description	Q.ty
1	C020133	HEXAGON HEAD BOLT 10.9 M12x35 ISO 4017	6.00000
2	C020139	HEXAGON HEAD SCREW M12x40 UNI 5739	8.00000
3	C021504	SLOTTED AND CASTLE HEXAGON NUTS M12 DIN980	10.00000
4	C023102	UNI 6592 FLAT WASHER M12 - 13x24x2,5	16.00000
5	C282200	ROLL-BAR FRAME	1.00000

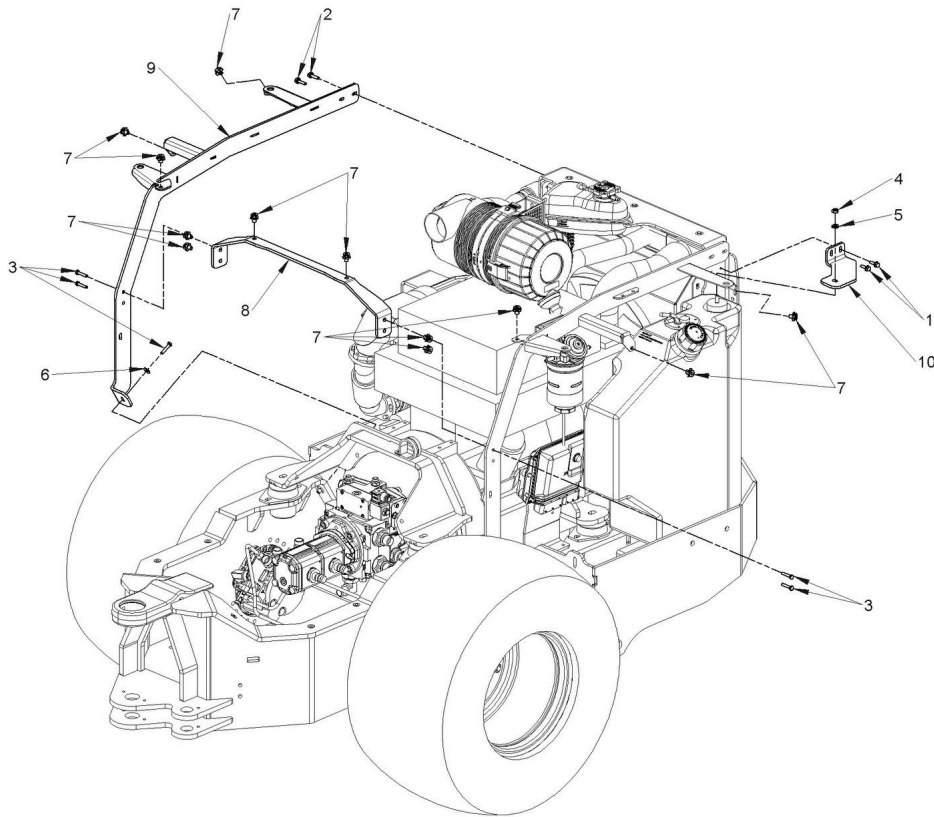
SCHEMA DI COLLEGAMENTO DEI TUBI RIGIDI SUL BRACCIO
 VISTA DEI TUBI DA SEDUTO IN MACCHINA

HOSE DIAGRAM OF PIPES BOOM CONNECTION
 VIEW FROM DRIVING PLACE



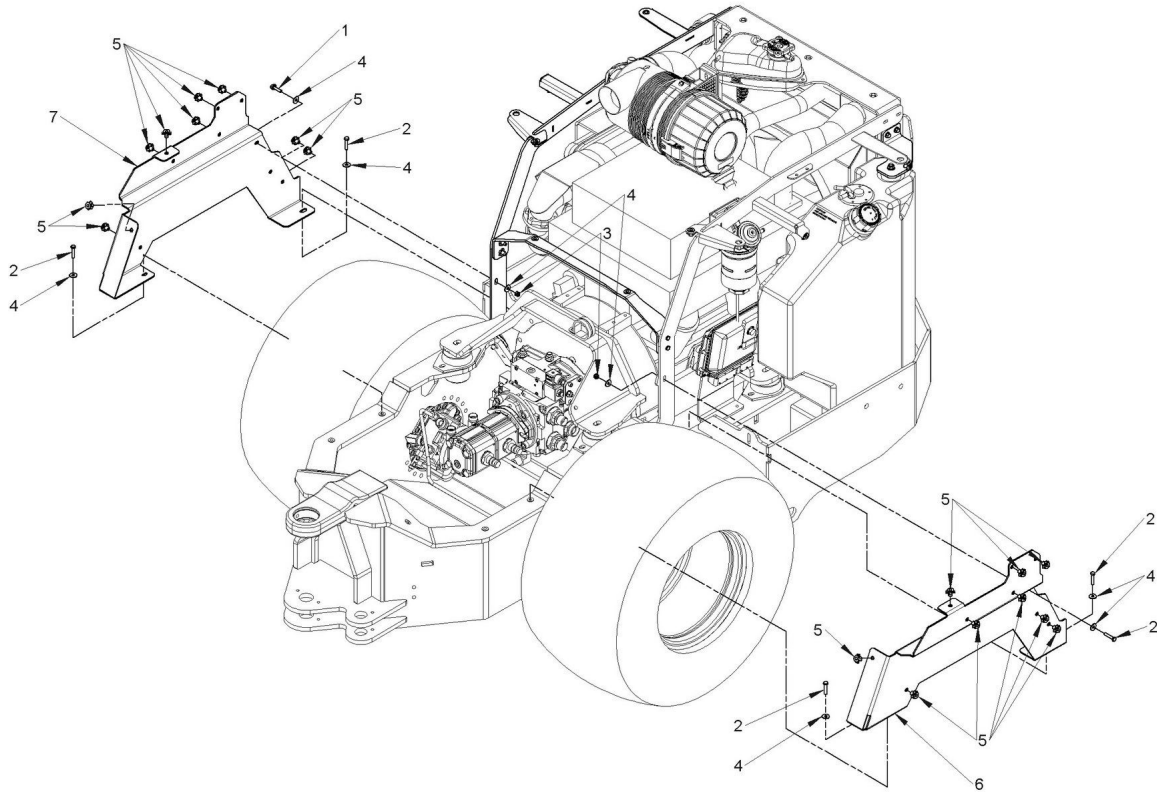
Component list [TAV. 34 BOOM PIPES CONNECTION]

Pos.	Code	Description	Q.ty
------	------	-------------	------



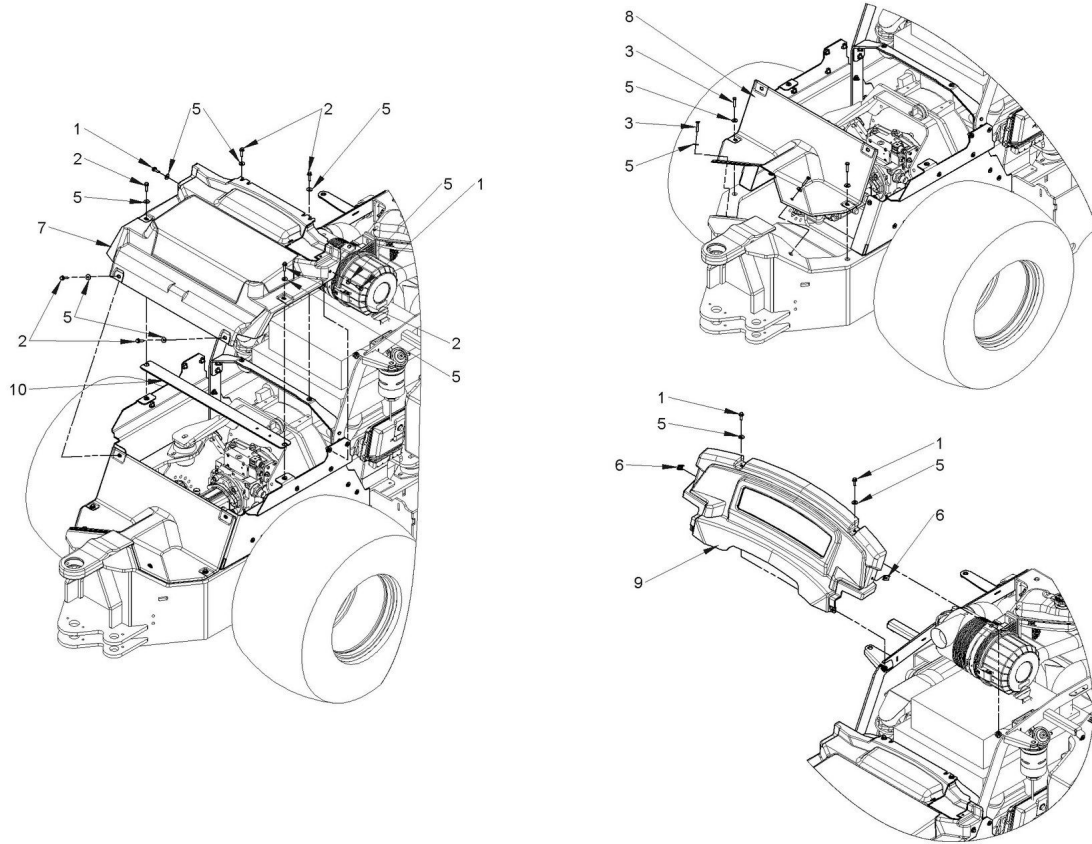
Component list [TAV. 35 REAR SUPPORT]

Pos.	Code	Description	Q.ty
1	C019212	DIN 6921 M6x20 FLANGED HEAD SCREW	2.00000
2	C019213	DIN 6921 M6x25 FLANGED HEAD SCREW	2.00000
3	C020053	UNI 5739 M6x30 HEX HEAD SCREW	5.00000
4	C021010	NUT E 6S M8 UNI 5588	1.00000
5	C023041	M8 NORD LOCK WASHER	1.00000
6	C023110	UNI 6593 LARGE WASHER M6 - 6,5x18x1,5	1.00000
7	C028297	THREAD INSERT M6	12.00000
8	C282184	OVER PUMPS COVER SUPPORT	1.00000
9	C282185	REAR RIGHT COVER SUPPORT	1.00000
10	C282190	FUEL TANK BRACKET	1.00000



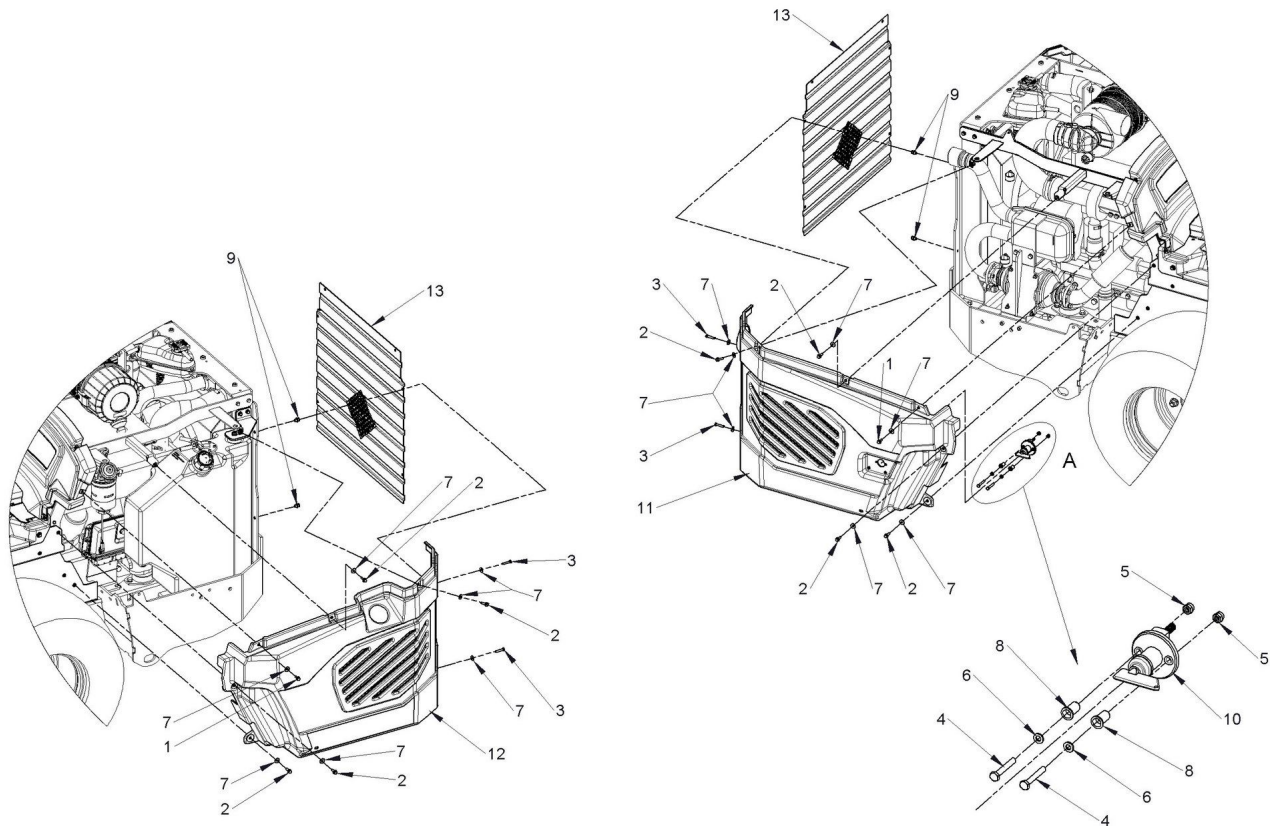
Component list [TAV. 36 REAR MUDGUARD SUPPORT]

Pos.	Code	Description	Q.ty
1	C019213	DIN 6921 M6x25 FLANGED HEAD SCREW	1.00000
2	C020053	UNI 5739 M6x30 HEX HEAD SCREW	5.00000
3	C021104	UNI 7473 SELF-LOCKING NUT M6	2.00000
4	C023110	UNI 6593 LARGE WASHER M6 - 6,5x18x1,5	8.00000
5	C028297	THREAD INSERT M6	18.00000
6	C285840	REAR LEFT MUDGUARD AND COVER SUPPORT	1.00000
7	C285841	REAR LEFT MUDGUARD AND COVER SUPPORT	1.00000



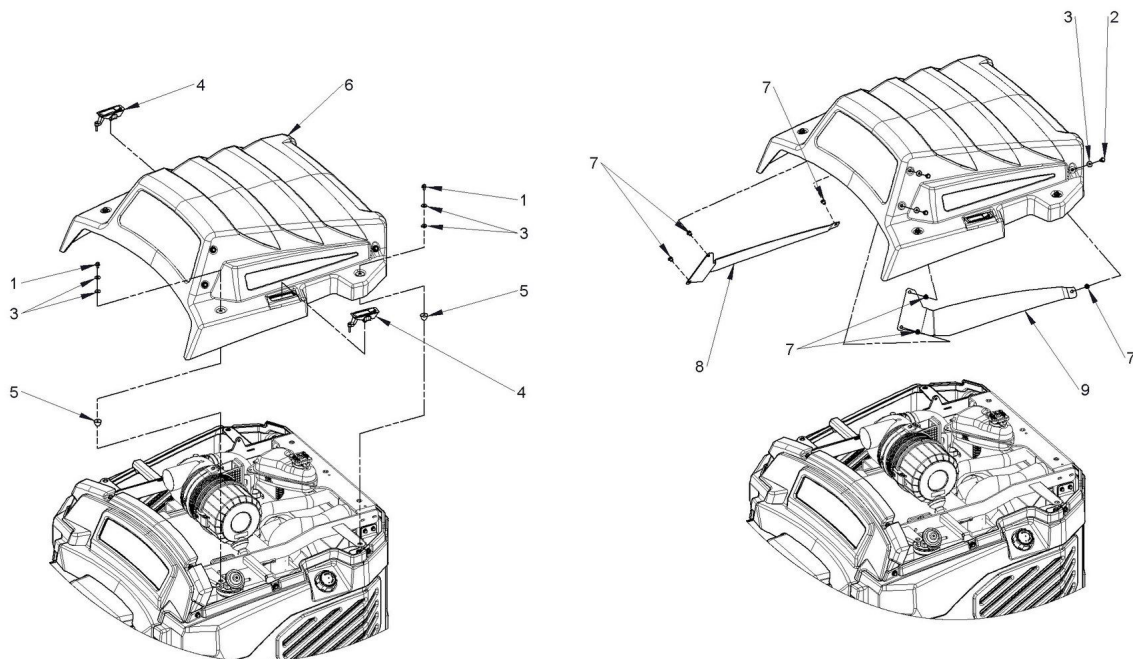
Component list [TAV. 37 ARTICULATION COVER]

Pos.	Code	Description	Q.ty
1	C019212	DIN 6921 M6x20 FLANGED HEAD SCREW	4.00000
2	C019213	DIN 6921 M6x25 FLANGED HEAD SCREW	7.00000
3	C020053	UNI 5739 M6x30 HEX HEAD SCREW	4.00000
4	C021104	UNI 7473 SELF-LOCKING NUT M6	1.00000
5	C023110	UNI 6593 LARGE WASHER M6 - 6,5x18x1,5	16.00000
6	C028285	MULTITHREAD U-TYPE NUT M6	2.00000
7	C041419	OVER PUMPS COVER	1.00000
8	C041420	OVER ARTICULATION COVER	1.00000
9	C041589	FRONT ENGINE COVER	1.00000
10	C285214	STEEL MUDGUARD JOINT ROD	1.00000



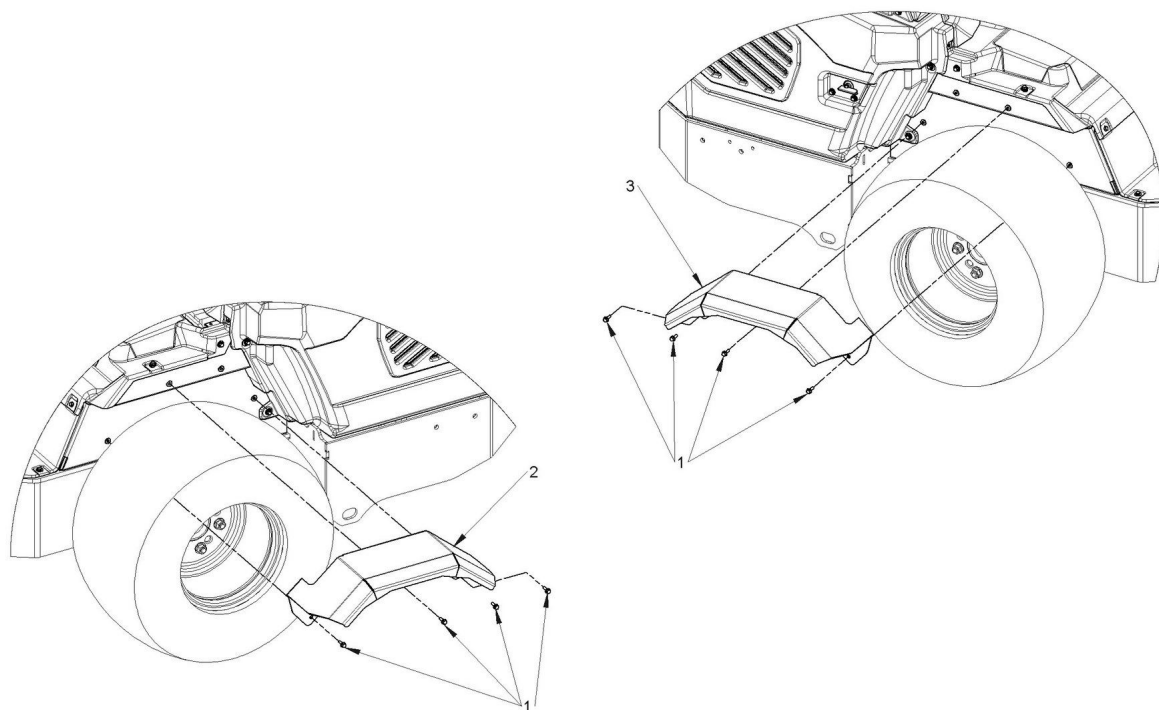
Component list [TAV. 38 REAR RIGHT AND LEFT SIDE COVER]

Pos.	Code	Description	Q.ty
1	C019211	DIN 6921 M6x16 FLANGED HEAD SCREW	2.00000
2	C019212	DIN 6921 M6x20 FLANGED HEAD SCREW	8.00000
3	C020053	UNI 5739 M6x30 HEX HEAD SCREW	4.00000
4	C020055	UNI 5739 M6x40 HEX HEAD SCREW	2.00000
5	C021104	UNI 7473 SELF-LOCKING NUT M6	2.00000
6	C023090	UNI 6592 FLAT WASHER M6 - 6,4x12x1,6	2.00000
7	C023110	UNI 6593 LARGE WASHER M6 - 6,5x18x1,5	14.00000
8	C028270	THREAD INSERT M8	2.00000
9	C028291	THREAD INSERT M6	4.00000
10	C036100	100A BATTERY DISCONNECTOR	1.00000
11	C041693P	PE REAR RIGHT COVER M1 8.5	1.00000
12	C041692P	PE REAR LEFT COVER M1 8.5	1.00000
13	C285212	ENGINE COOLER NET	1.00000



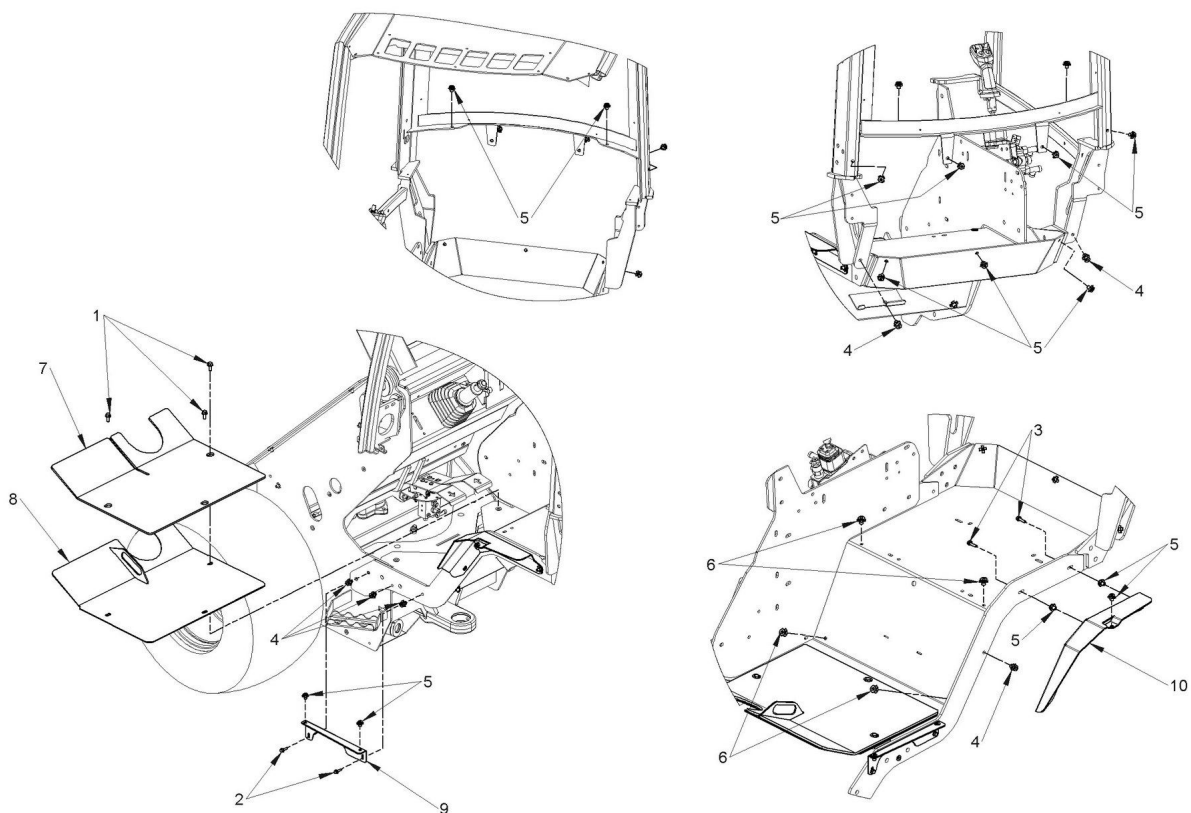
Component list [TAV. 39 OVER ENGINE COVER]

Pos.	Code	Description	Q.ty
1	C019210	DIN 6921 M6x10 FLANGED HEAD SCREW	4.00000
2	C019212	DIN 6921 M6x20 FLANGED HEAD SCREW	3.00000
3	C023110	UNI 6593 LARGE WASHER M6 - 6,5x18x1,5	11.00000
4	C035045	LOCK HANDLE	2.00000
5	C035142	PARABOLIC SILENT BLOCK ĩ24 H=16	4.00000
6	C041588	ASSIEME COFANO SOPRA MOTORE M1 8.5 REV.01	1.00000
7	C028294	THREAD INSERT M6	6.00000
8	C285077	INNER RIGHT ENGINE COVER STEEL PLATE	1.00000
9	C285078	INNER LEFT ENGINE COVER STEEL PLATE	1.00000



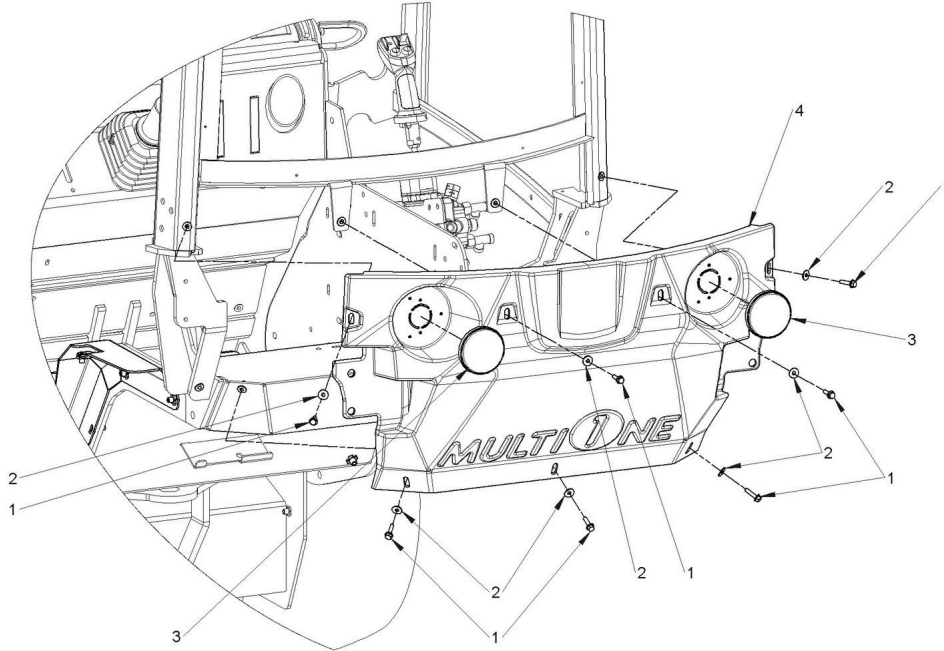
Component list [TAV. 40 REAR MUDGUARDS]

Pos.	Code	Description	Q.ty
1	C019212	DIN 6921 M6x20 FLANGED HEAD SCREW	8.00000
2	C285842	REAR LEFT MUDGUARD M1 8.5K	1.00000
3	C285843	REAR RIGHT MUDGUARD M1 8.5K	1.00000



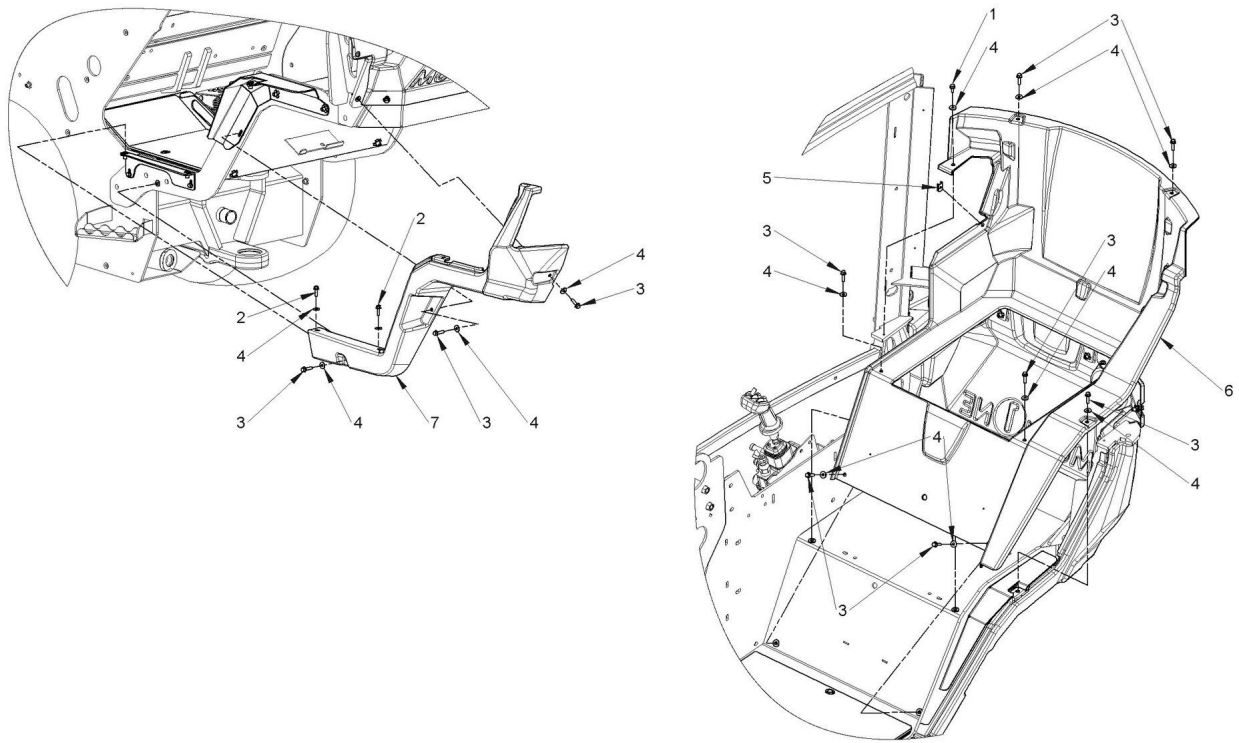
Component list [TAV. 41 FOOTREST PLATE]

Pos.	Code	Description	Q.ty
1	C019202	DIN 6921 M8x20 FLANGED HEAD SCREW	3.00000
2	C019212	DIN 6921 M6x20 FLANGED HEAD SCREW	4.00000
3	C019213	DIN 6921 M6x25 FLANGED HEAD SCREW	4.00000
4	C028288	THREAD INSERT M6	6.00000
5	C028297	THREAD INSERT M6	14.00000
6	C028298	THREAD INSERT M8	4.00000
7	C029259	ROOF PADS FOR MULTIONE M1	1.00000
8	C281747	UNDER FEET PLATFORM	1.00000
9	C281894	SUPPORT FOR PLASTIC STEP FRAME M1 3->10	1.00000
10	C281895	UNDER SEAT COVER SUPPORT	1.00000



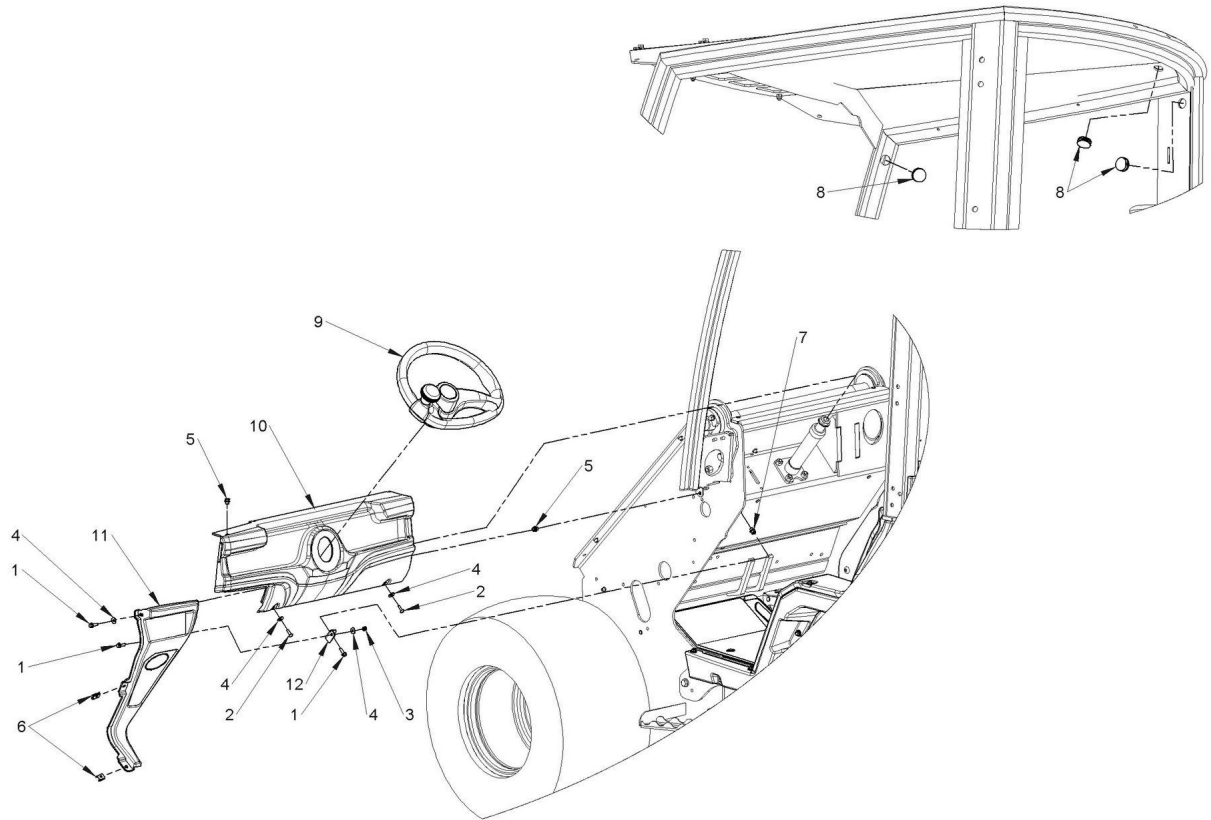
Component list [TAV. 42 REAR CABIN COVER]

Pos.	Code	Description	Q.ty
1	C019213	DIN 6921 M6x25 FLANGED HEAD SCREW	7.00000
2	C023110	UNI 6593 LARGE WASHER M6 - 6,5x18x1,5	7.00000
3	C034018	Ø80 RED RETRO REFLECTOR	2.00000
4	C041427P	PE BACK CABIN COVER W/OUT A/C	1.00000



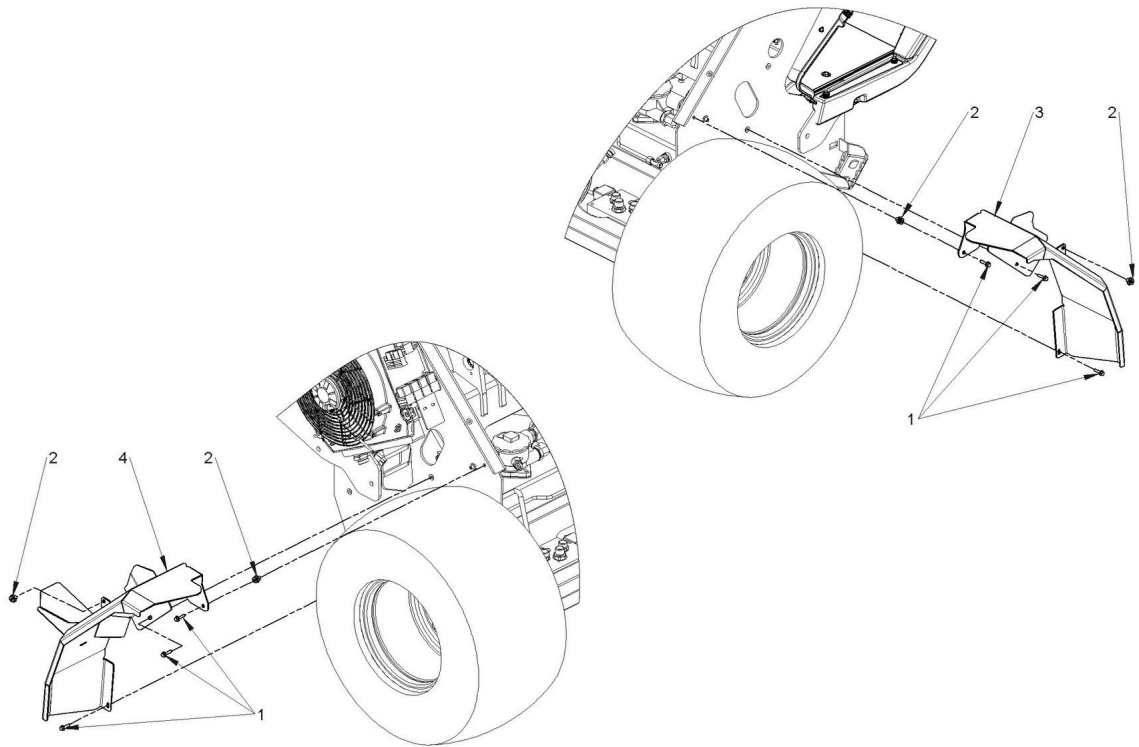
Component list [TAV. 43 UNDER SEAT COVER]

Pos.	Code	Description	Q.ty
1	C019211	DIN 6921 M6x16 FLANGED HEAD SCREW	1.00000
2	C019212	DIN 6921 M6x20 FLANGED HEAD SCREW	2.00000
3	C019213	DIN 6921 M6x25 FLANGED HEAD SCREW	10.00000
4	C023110	UNI 6593 LARGE WASHER M6 - 6,5x18x1,5	13.00000
5	C028285	MULTITHREAD U-TYPE NUT M6	1.00000
6	C041437	UNDER SEAT COVER	1.00000
7	C041443P	PE LEFT DOOR SLAM	1.00000



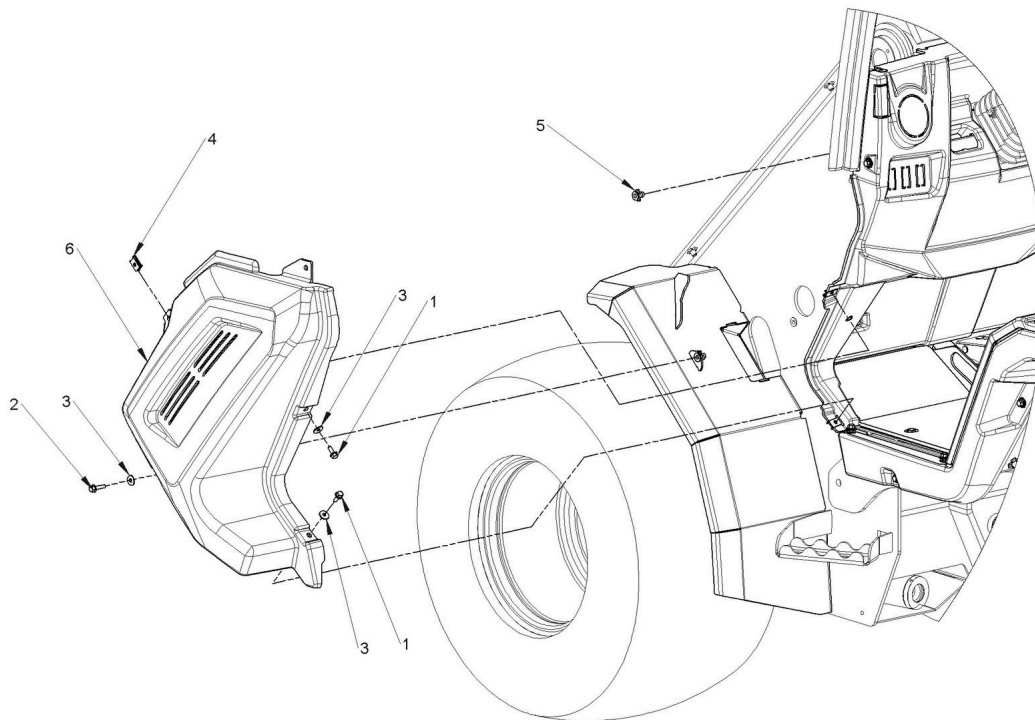
Component list [TAV. 44 FRONT DASHBOARD]

Pos.	Code	Description	Q.ty
1	C019212	DIN 6921 M6x20 FLANGED HEAD SCREW	3.00000
2	C020548	ISO 7380 M6x20 HEX SOCKET OVAL HEAD SCREW	2.00000
3	C021104	UNI 7473 SELF-LOCKING NUT M6	1.00000
4	C023110	UNI 6593 LARGE WASHER M6 - 6,5x18x1,5	4.00000
5	C028271	THREAD INSERT M6	2.00000
6	C028285	MULTITHREAD U-TYPE NUT M6	2.00000
7	C028291	THREAD INSERT M6	1.00000
8	C036039	CLOSED FAIRLEAD Ø19	3.00000
9	C036466	STEERING WHEEL BLACK	1.00000
10	C041677	FRONT DASHBOARD NO/HEAT NEWGEN M1 6-10	1.00000
11	C041682	LOWER DOOR PROTECTION M1 6-10 NEWGEN	1.00000
12	C285891	THERMOF. LOWER DOOR BRACKET M1 6-10	1.00000



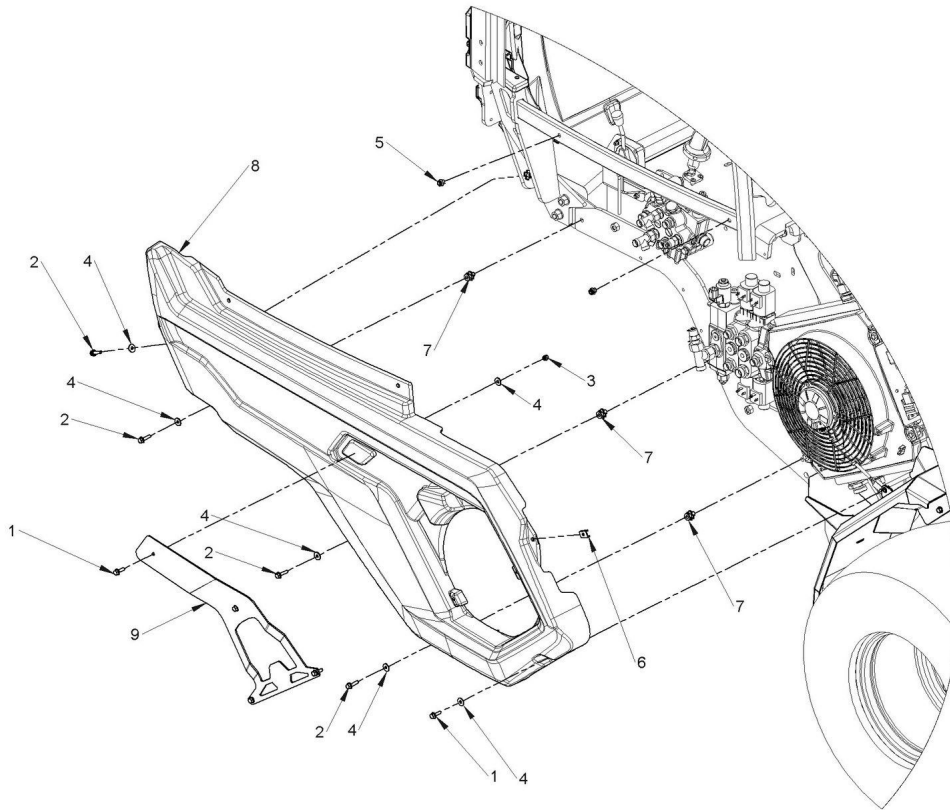
Component list [TAV. 45 FRONT MUDGUARD]

Pos.	Code	Description	Q.ty
1	C019213	DIN 6921 M6x25 FLANGED HEAD SCREW	6.00000
2	C028297	THREAD INSERT M6	4.00000
3	C285831	FRONT LEFT MUDGUARD M1 8.5K	1.00000
4	C285832	FRONT RIGHT MUDGUARD M1 8.5K	1.00000



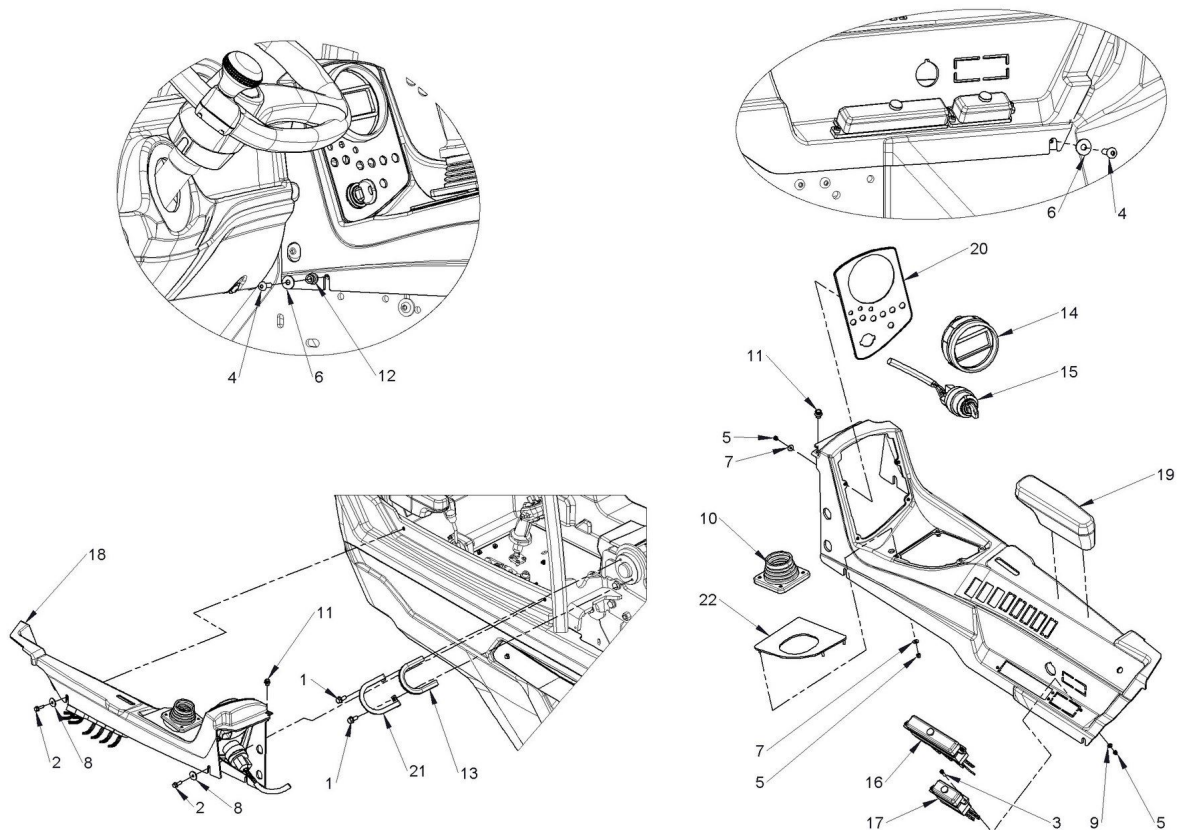
Component list [TAV. 46 FRONT LEFT SIDE]

Pos.	Code	Description	Q.ty
1	C019211	DIN 6921 M6x16 FLANGED HEAD SCREW	2.00000
2	C019213	DIN 6921 M6x25 FLANGED HEAD SCREW	1.00000
3	C023110	UNI 6593 LARGE WASHER M6 - 6,5x18x1,5	3.00000
4	C028285	MULTITHREAD U-TYPE NUT M6	1.00000
5	C028297	THREAD INSERT M6	1.00000
6	C041431P	PE FRONT LEFT SIDE COVER	1.00000



Component list [TAV. 47 FRONT RIGHT SIDE]

Pos.	Code	Description	Q.ty
1	C019212	DIN 6921 M6x20 FLANGED HEAD SCREW	5.00000
2	C019213	DIN 6921 M6x25 FLANGED HEAD SCREW	4.00000
3	C021104	UNI 7473 SELF-LOCKING NUT M6	4.00000
4	C023110	UNI 6593 LARGE WASHER M6 - 6,5x18x1,5	9.00000
5	C028271	THREAD INSERT M6	2.00000
6	C028285	MULTITHREAD U-TYPE NUT M6	1.00000
7	C028288	THREAD INSERT M6	3.00000
8	C041439P	PE FRONT RIGHT SIDE COVER	1.00000
9	C285163	OIL COOLER FAN PROTECTION	1.00000



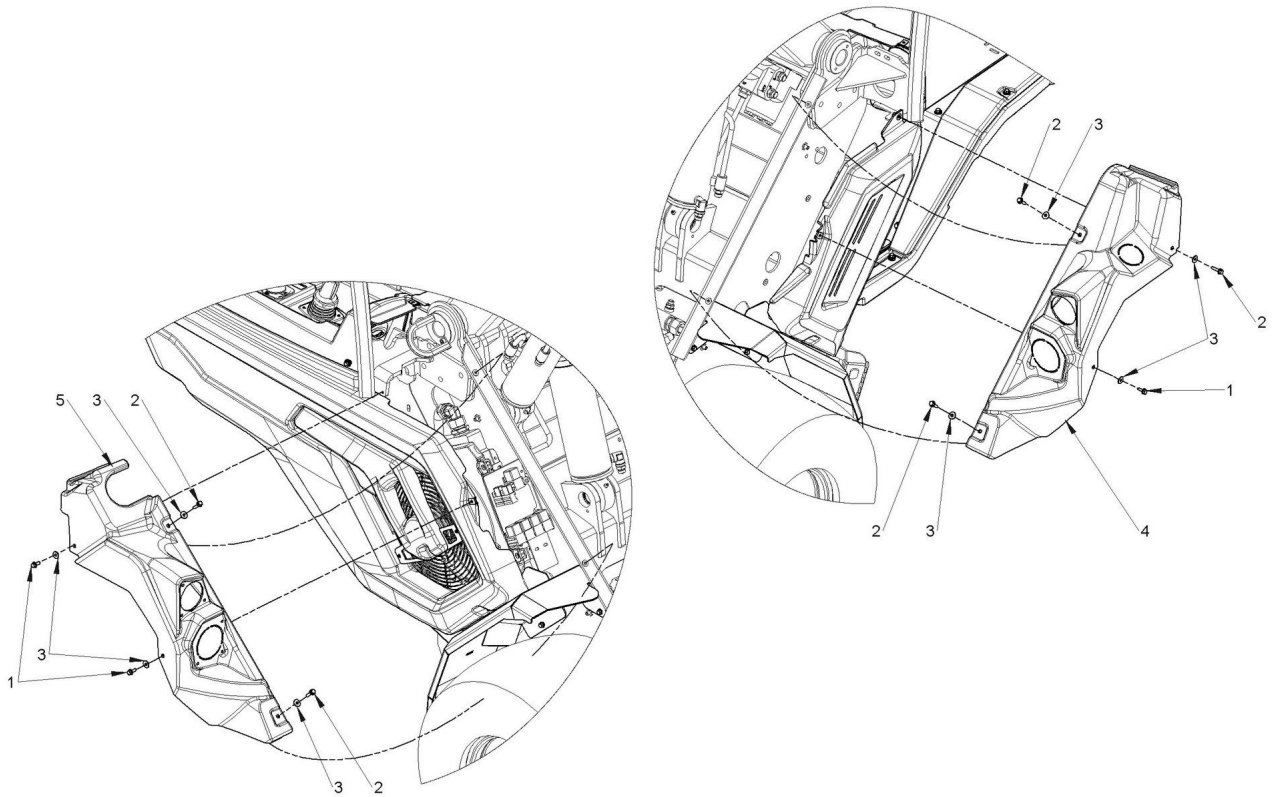
Component list [TAV. 48 RIGHT SIDE DASHBOARD]

Pos.	Code	Description	Q.ty
1	C019202	DIN 6921 M8x20 FLANGED HEAD SCREW	2.00000
2	C019212	DIN 6921 M6x20 FLANGED HEAD SCREW	2.00000
3	C020283	UNI EN ISO 4762 M4x16 HEX SOCKET HEAD CAP SCREW	4.00000
4	C020548	ISO 7380 M6x20 HEX SOCKET OVAL HEAD SCREW	2.00000
5	C021103	UNI 7473 SELF-LOCKING NUT M4	12.00000
6	C023110	UNI 6593 LARGE WASHER M6 - 6,5x18x1,5	2.00000
7	C023111	UNI 6593 LARGE WASHER M4 - 4,3x12x1	8.00000
8	C023122	UNI 6593 EXTRA LARGE WASHER M6 6,5x24x2	2.00000
9	C023123	UNI 6592 FLAT WASHER M4 - 4,3x9x0,8	4.00000
10	C028056	JOYSTICK RUBBER PROTECTION	1.00000
11	C028271	THREAD INSERT M6	1.00000
12	C028291	THREAD INSERT M6	1.00000
13	C035002	RUBBER PROFILE 10X14	1.00000
14	C038154	Ø100 LCD DECK	1.00000
15	C038155	IGNITION SWITCH	1.00000
16	C038196	8 WAY FUSEBOX W/KNOB	1.00000
17	C038197	4 WAY FUSEBOX W/KNOB	1.00000



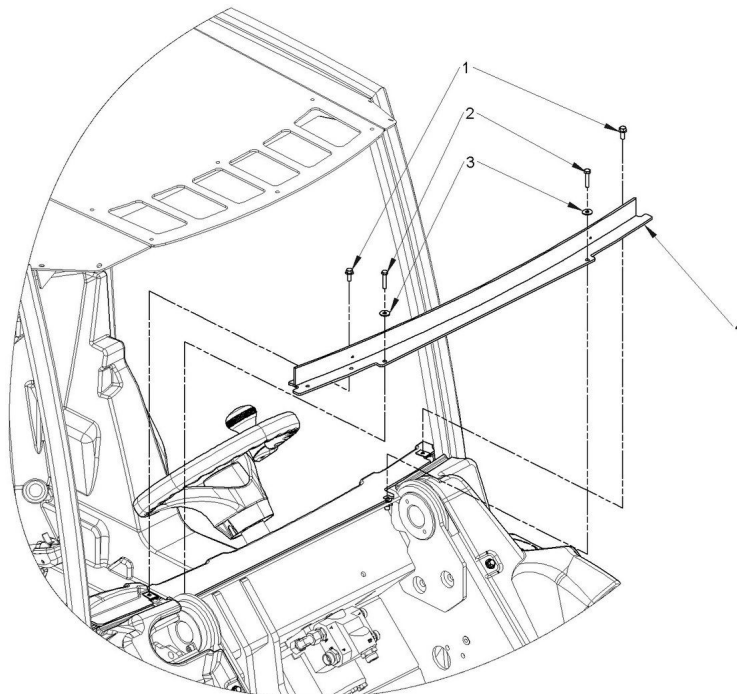
Draft and part list report
Serial n / code M354818 / C964008
Description MULTIONE 8.5SK 3^G STAGE5

18	C041694	SIDE DASHBOARD M1 6-11 2° GEN	1.00000
19	C041697	ARM REST M1 6-11	1.00000
20	C277690	DIGITAL INSTRUMENT PANEL M1 6-8.4	1.00000
21	C281605	HOSE JUMPER	1.00000
22	C285858	MULTIFUNCTION JOYSTICK PANEL	1.00000



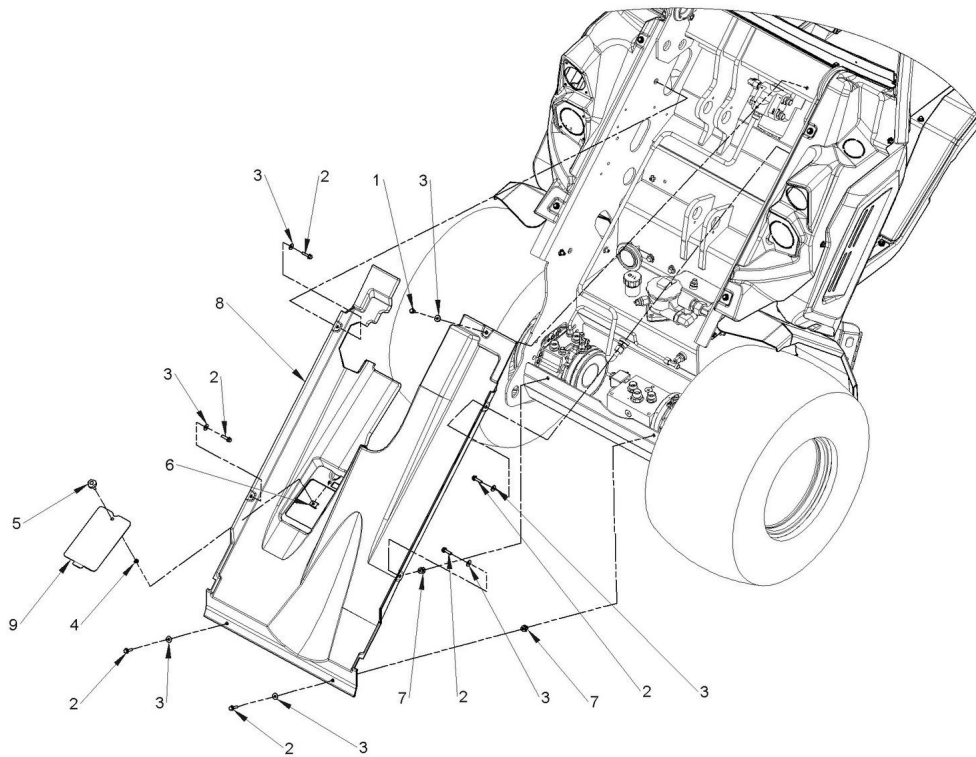
Component list [TAV. 49 LIGHT HOLDER COVER]

Pos.	Code	Description	Q.ty
1	C019211	DIN 6921 M6x16 FLANGED HEAD SCREW	3.00000
2	C019213	DIN 6921 M6x25 FLANGED HEAD SCREW	5.00000
3	C023110	UNI 6593 LARGE WASHER M6 - 6,5x18x1,5	8.00000
4	C041429P	PE FRONT LEFT LIGHT SUPPORT	1.00000
5	C041430P	PE FRONT RIGHT LIGHT SUPPORT	1.00000



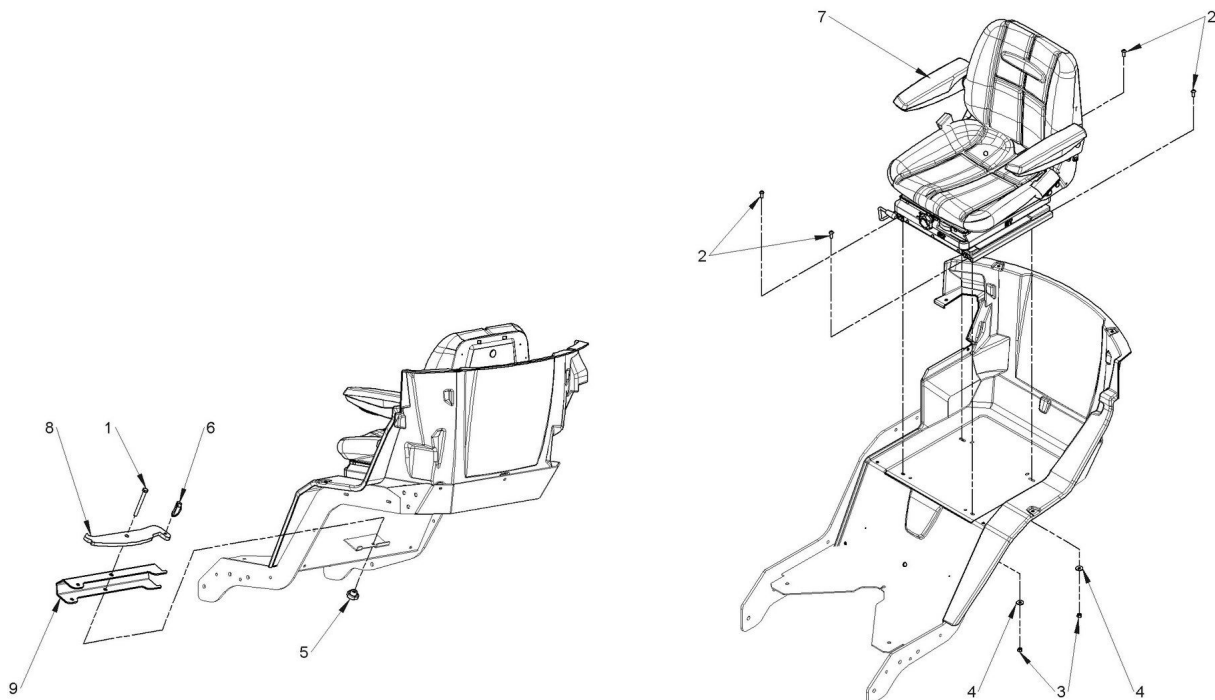
Component list [TAV. 50 FRONT GLASS SUPPORT]

Pos.	Code	Description	Q.ty
1	C019211	DIN 6921 M6x16 FLANGED HEAD SCREW	2.00000
2	C020053	UNI 5739 M6x30 HEX HEAD SCREW	2.00000
3	C023110	UNI 6593 LARGE WASHER M6 - 6,5x18x1,5	2.00000
4	C282239	FRONT GLASS SUPPORT	1.00000



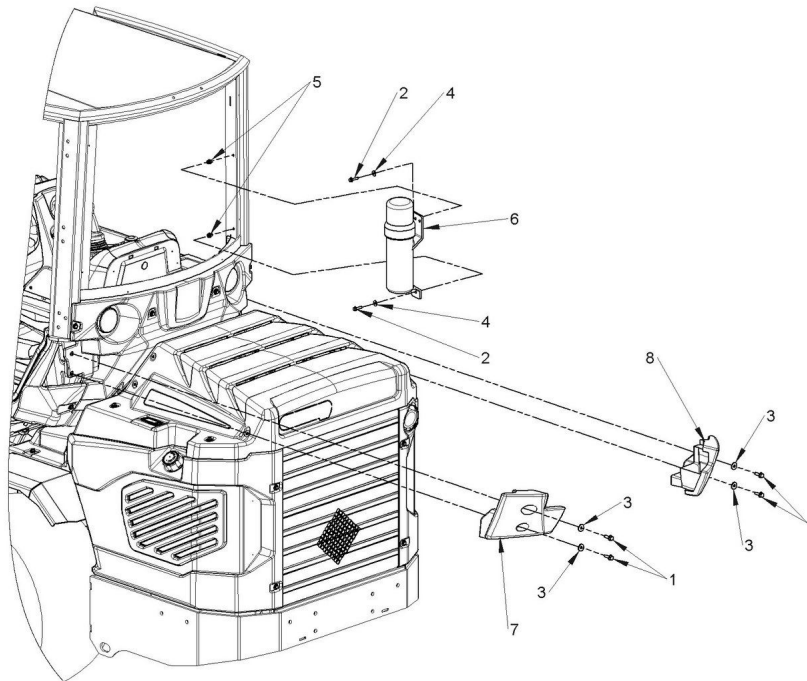
Component list [TAV. 51 UNDER BOOM COVER]

Pos.	Code	Description	Q.ty
1	C019211	DIN 6921 M6x16 FLANGED HEAD SCREW	1.00000
2	C019213	DIN 6921 M6x25 FLANGED HEAD SCREW	6.00000
3	C023110	UNI 6593 LARGE WASHER M6 - 6,5x18x1,5	7.00000
4	C023601	SPRING WASHER FOR SHAFT 5 MM	1.00000
5	C028024	THREE-LOBED LOWERED HANDWHEEL WITH M6x20 THREADED PIN	1.00000
6	C028285	MULTITHREAD U-TYPE NUT M6	1.00000
7	C028297	THREAD INSERT M6	2.00000
8	C041428P	PE UNDER BOOM COVER	1.00000
9	C281893	OIL TANK INSPECTION DOOR	1.00000



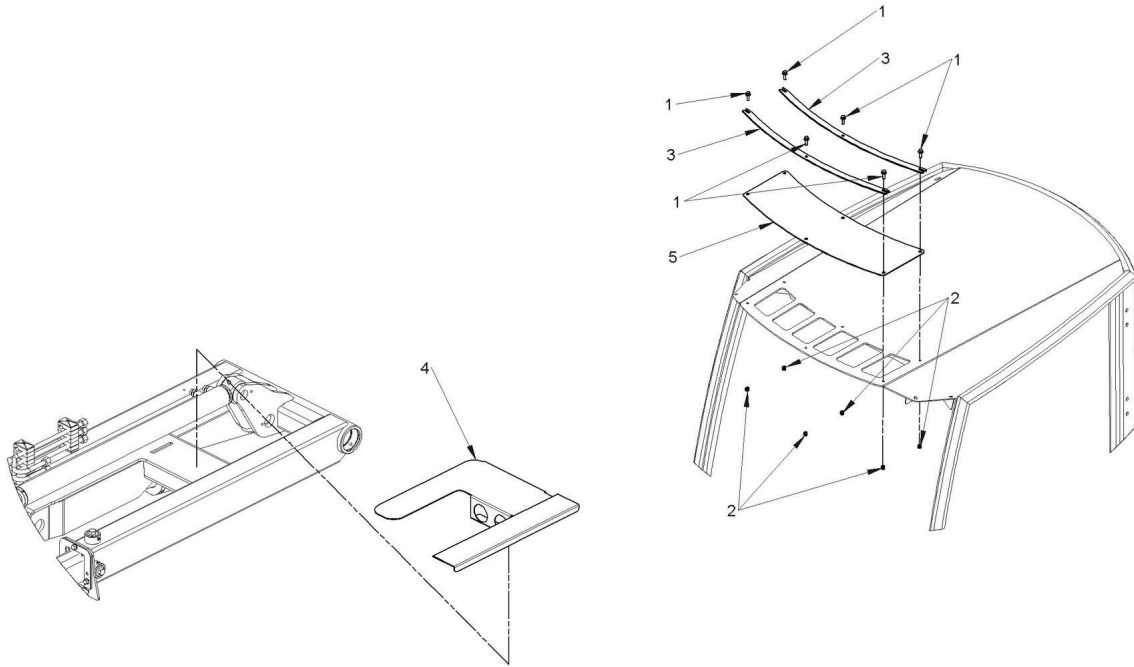
Component list [TAV. 52 SEAT]

Pos.	Code	Description	Q.ty
1	C020113	ISO 4014 M10x100 HEX HEAD SCREW	1.00000
2	C020541	ISO 7380 M8x20 HEX SOCKET OVAL HEAD SCREW	4.00000
3	C021502	SLOTTED AND CASTLE HEXAGON NUTS M8 DIN980	4.00000
4	C023100	UNI 6593 LARGE WASHER M8 - 8,5x24x2	4.00000
5	C028015	FEMALE WHEEL KNOB M10	1.00000
6	C028201	CLICK PIN Ø6 mm	1.00000
7	C036774	SUSPENSION SEAT+HEAT+ARM	1.00000
8	C281782	ARTICULATION LOCK	1.00000
9	C281790	BOOM SAFETY LATCH	1.00000



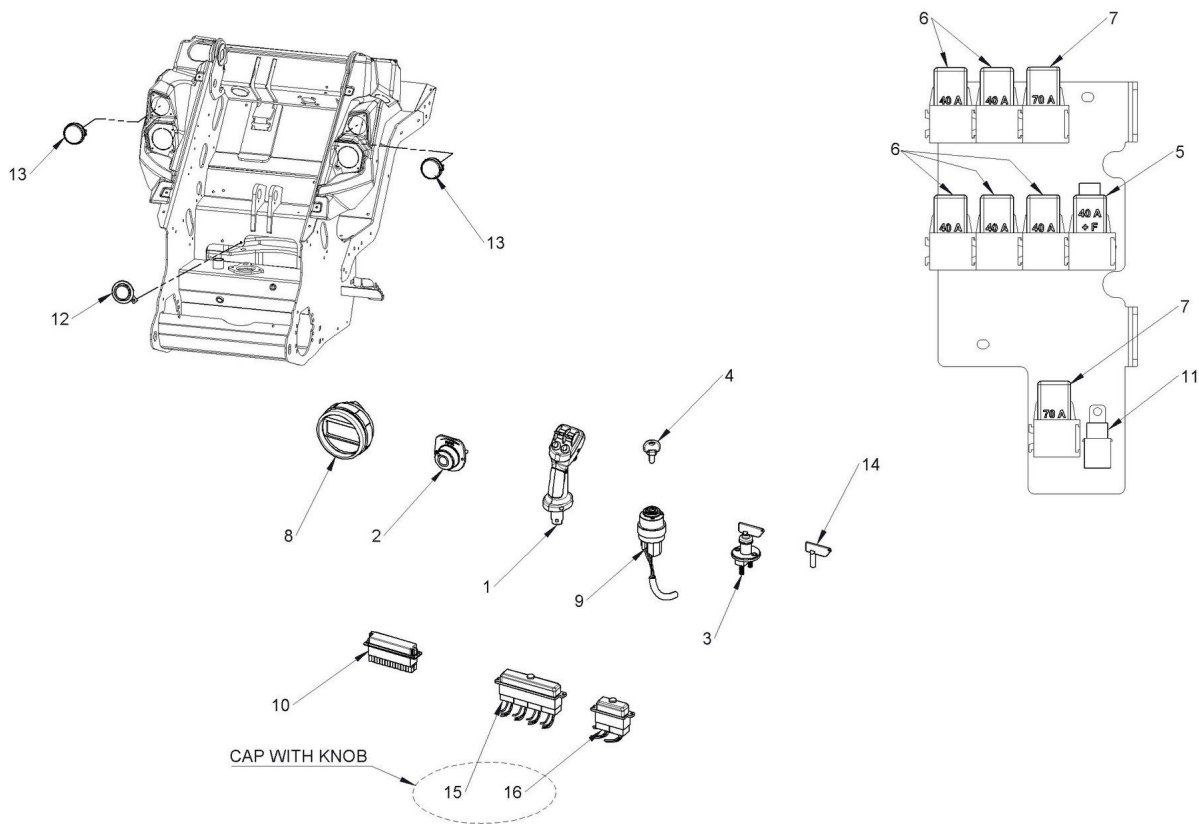
Component list [TAV. 53 CABIN BUFFER]

Pos.	Code	Description	Q.ty
1	C019203	DIN 6921 M8x25 FLANGED HEAD SCREW	4.00000
2	C019213	DIN 6921 M6x25 FLANGED HEAD SCREW	2.00000
3	C023100	UNI 6593 LARGE WASHER M8 - 8,5x24x2	4.00000
4	C023110	UNI 6593 LARGE WASHER M6 - 6,5x18x1,5	2.00000
5	C028271	THREAD INSERT M6	2.00000
6	C030810	MANUAL HOLDER	1.00000
7	C041386	LEFT RUBBER PROTECTION M1 2-6->10-SD	1.00000
8	C041387	RIGHT RUBBER PROTECTION MK-MZ	1.00000



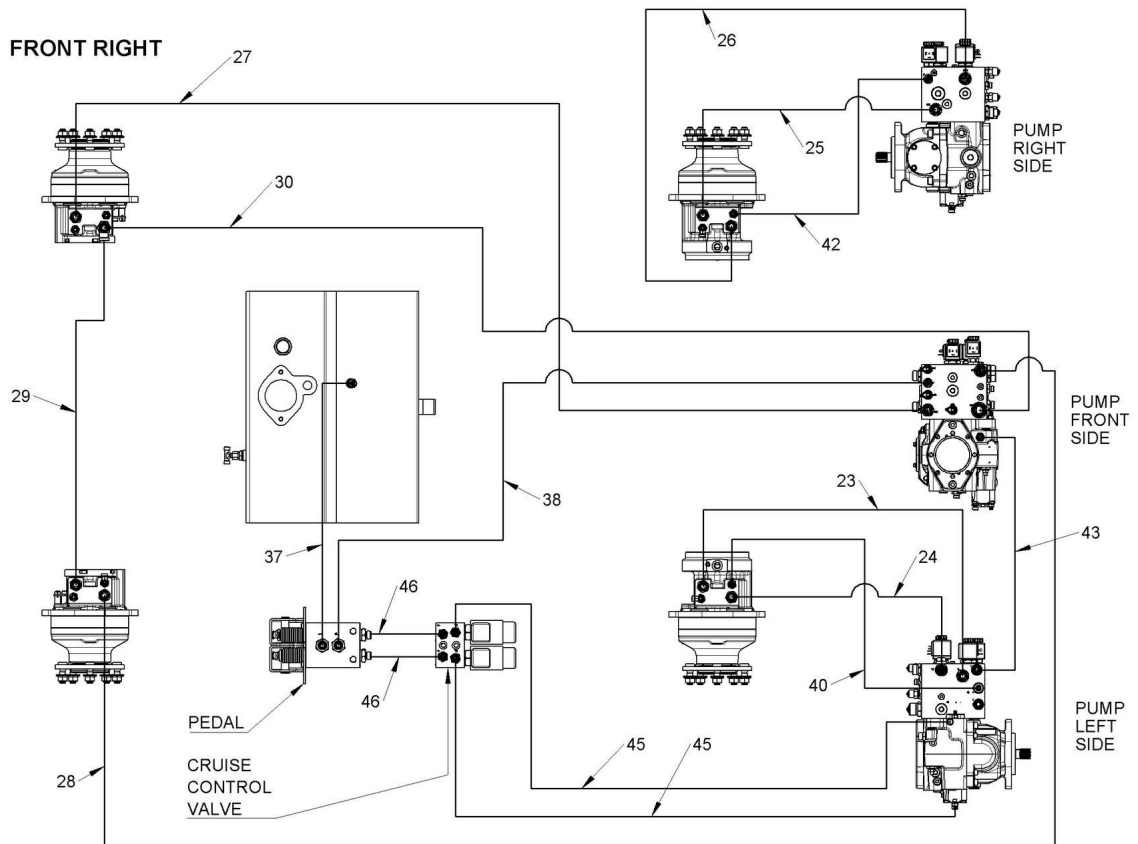
Component list [TAV. 54 TRANSPARENT COVER]

Pos.	Code	Description	Q.ty
1	C019212	DIN 6921 M6x20 FLANGED HEAD SCREW	6.00000
2	C021104	UNI 7473 SELF-LOCKING NUT M6	6.00000
3	C282352	ROOF PLEXIGLASS FIXING PLATE	2.00000
4	C282370	ANTI-WEAR PROTECTION FOR TUBES	1.00000
5	C283051	ROOF PLEXIGLASS	1.00000



Component list [TAV. 55 ELECTRIC PARTS]

Pos.	Code	Description	Q.ty
1	C030658	JOYSTICK HANDLE W/7POLES+TWIN PTO	1.00000
2	C030866	THROTTLE HANDLE WITH SCALE	1.00000
3	C036100	100A BATTERY DISCONNECTOR	1.00000
4	C036174	IGNITION KEY	1.00000
5	C038149	12 V, 30 RELAY W/FUSE	1.00000
6	C038151	12 V, 40-30 A RELAY	5.00000
7	C038152	12 V, 70 A MAXIRELAY	2.00000
8	C038154	Ø100 LCD DECK	1.00000
9	C038155	IGNITION SWITCH	1.00000
10	C038157	8 LINES FUSE BOX	1.00000
11	C038158	5A FUSE	1.00000
12	C038166	HORN DEVICE	1.00000
13	C038168	Ø85 ROUND HALOGEN WORK LIGHT	2.00000
14	C038174	BATTERY SWITCH RED KEY	1.00000
15	C038196	8 WAY FUSEBOX W/KNOB	1.00000
16	C038197	4 WAY FUSEBOX W/KNOB	1.00000

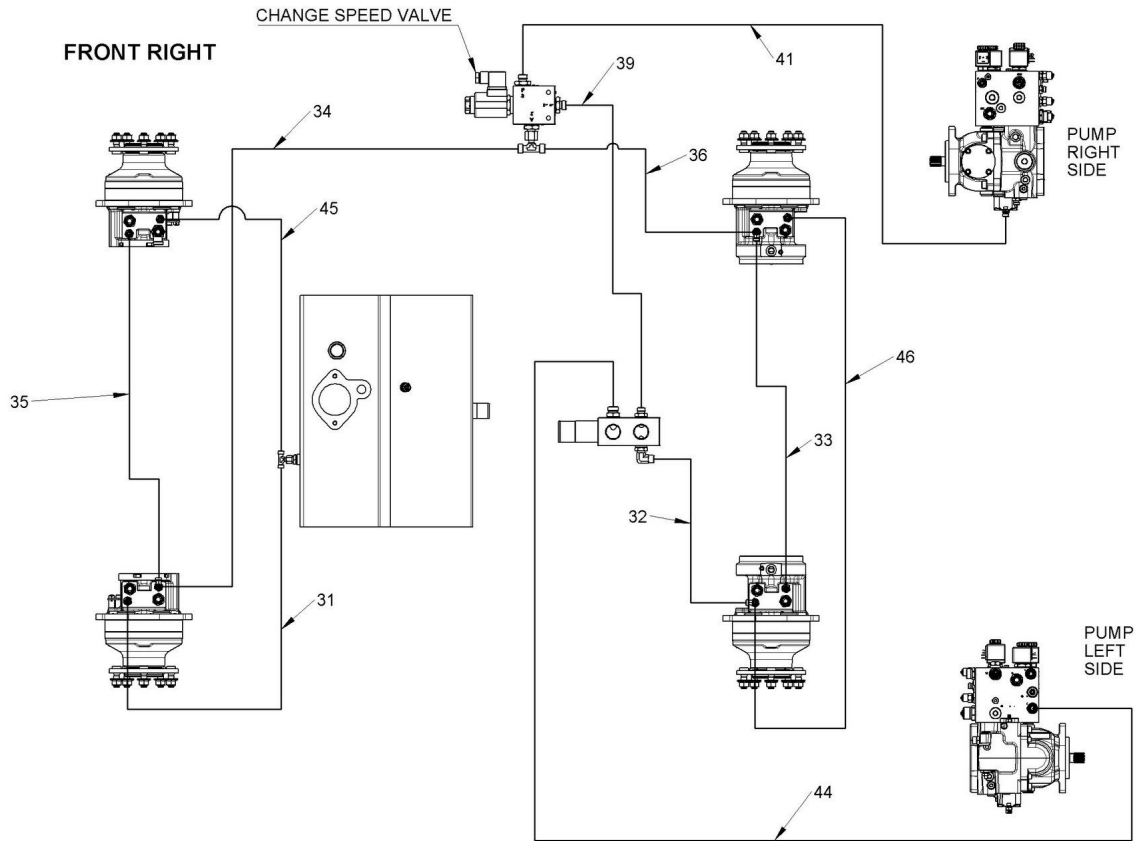


Component list [TAV. 58-A TRANSMISSION HYDRAULIC DIAGRAM]

Pos.	Code	Description	Q.ty
23	C810515/23	Hose length(mm): 420 - Pressure rate: MARATH Diameter(inc): 1/2 - Phase: 1st fitting: F90 16S - 2nd fitting: FD 16S Protection:	1.00000
24	C810515/24	Hose length(mm): 340 - Pressure rate: MARATH Diameter(inc): 1/2 - Phase:0 1st fitting: F90 16S - 2nd fitting: F45 16S Protection:	1.00000
25	C810515/25	Hose length(mm): 420 - Pressure rate: MARATH Diameter(inc): 1/2 - Phase: 1st fitting: F90 16S - 2nd fitting: FD 16S Protection:	1.00000
26	C810515/26	Hose length(mm): 340 - Pressure rate: MARATH Diameter(inc): 1/2 - Phase: 1st fitting: F45 16S - 2nd fitting: FD 16S Protection:	1.00000
27	C810515/27	Hose length(mm): 1560 - Pressure rate: MARATH Diameter(inc): 1/2 - Phase: 1st fitting: F90 16S - 2nd fitting: FD 16S	1.00000

Protection:

28	C810515/28	Hose length(mm): 1550 - Pressure rate: MARATH Diameter(inc): 1/2 - Phase: 1st fitting: FD 16S - 2nd fitting: F45 16S Protection:	1.00000
29	C810515/29	Hose length(mm): 370 - Pressure rate: MARATH Diameter(inc): 1/2 - Phase: 1st fitting: F90 16S - 2nd fitting: FD 16S Protection:	1.00000
30	C810515/30	Hose length(mm): 1500 - Pressure rate: 4SP Diameter(inc): 5/8 - Phase: 1st fitting: F90 16S - 2nd fitting: FD 20S Protection:	1.00000
37	C810515/37	Hose length(mm): 300 - Pressure rate: 1SC Diameter(inc): 1/4 - Phase:270 1st fitting: F90 8L - 2nd fitting: F90 8L Protection:	1.00000
38	C810515/38	Hose length(mm): 1050 - Pressure rate: 1SC Diameter(inc): 1/4 - Phase: 1st fitting: F90 8L - 2nd fitting: FD 8L Protection:	1.00000
40	C810515/40	Hose length(mm): 300 - Pressure rate: 1SC Diameter(inc): 1/4 - Phase:270 1st fitting: F90 8L - 2nd fitting: F90 8L Protection:	1.00000
42	C810515/42	Hose length(mm): 370 - Pressure rate: 1SC Diameter(inc): 1/4 - Phase:90 1st fitting: F90 8L - 2nd fitting: F90 8L Protection:	1.00000
43	C810515/43	Hose length(mm): 400 - Pressure rate: 1SC Diameter(inc): 3/8 - Phase: 1st fitting: FD 12L - 2nd fitting: F90 12L Protection:	1.00000
45	C810515/45	Hose length(mm): 1200 - Pressure rate: 1SC Diameter(inc): 1/4 - Phase: 1st fitting: FD 6L - 2nd fitting: F90 6L Protection:	2.00000
46	C810515/46	Hose length(mm): 360 - Pressure rate: 1SC Diameter(inc): 1/4 - Phase: 1st fitting: FD 6L - 2nd fitting: F90 6L Protection:	2.00000



Component list [TAV. 58-B LEAKING SPEED CHANGE HYDRAULIC DIAGRAM]

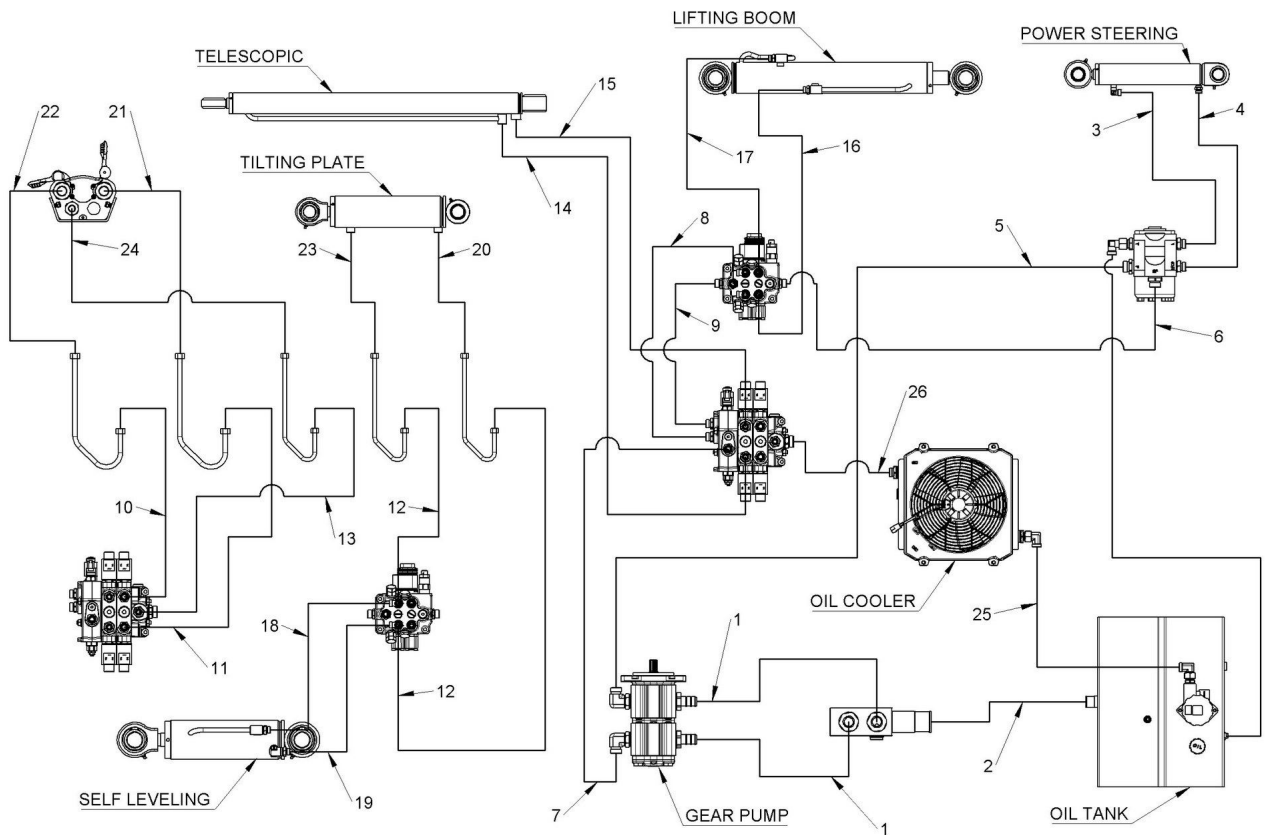
Pos.	Code	Description	Q.ty
31	C810515/31	Hose length(mm): 155 - Pressure rate: 1SC Diameter(inc): 1/4 - Phase: 1st fitting: FD 8L - 2nd fitting: F45 8L Protection:	1.00000
32	C810515/32	Hose length(mm): 250 - Pressure rate: 1SC Diameter(inc): 1/4 - Phase: 1st fitting: F45 8L - 2nd fitting: FD 8L Protection:	1.00000
33	C810515/33	Hose length(mm): 450 - Pressure rate: R7 Diameter(inc): 1/4 - Phase: 1st fitting: F90 8L - 2nd fitting: FD 8L Protection:	1.00000
34	C810515/34	Hose length(mm): 970 - Pressure rate: 1SC Diameter(inc): 1/4 - Phase:180 1st fitting: F45 8L - 2nd fitting: F45 8L Protection:	1.00000
35	C810515/35	Hose length(mm): 400 - Pressure rate: R7 Diameter(inc): 1/4 - Phase: 1st fitting: FD 8L - 2nd fitting: F90 8L	1.00000



Draft and part list report
Serial n / code M354818 / C964008
Description MULTIONE 8.5SK 3^G STAGE5

Protection:

36	C810515/36	Hose length(mm): 300 - Pressure rate: R7 Diameter(inc): 1/4 - Phase: 1st fitting: FD 8L - 2nd fitting: F45 8L Protection:	1.00000
39	C810515/39	Hose length(mm): 330 - Pressure rate: R7 Diameter(inc): 1/4 - Phase: 1st fitting: F90 8L - 2nd fitting: FD 8L Protection:	1.00000
41	C810515/41	Hose length(mm): 570 - Pressure rate: 1SC Diameter(inc): 1/4 - Phase:180 1st fitting: F90 8L - 2nd fitting: F90 8L Protection:	1.00000
44	C810515/44	Hose length(mm): 550 - Pressure rate: PILOT Diameter(inc): 3/8 - Phase:180 1st fitting: F90 12L - 2nd fitting: F90 12L Protection:	1.00000
45	C810367/41	Hose length(mm): - Pressure rate: Ø8x1 Diameter(inc): - Phase: 1st fitting: 8L - 2nd fitting: 8L Protection:	1.00000
46	C810367/43	Hose length(mm): - Pressure rate: Ø8x1 Diameter(inc): - Phase: 1st fitting: 8L - 2nd fitting: 8L Protection:	1.00000



Component list [TAV. 59 SERVICES HYDRAULIC DIAGRAM]

Pos.	Code	Description	Q.ty
1	C030102	OIL SUCTION HOSE Ø19x28	1.00000
2	C030120	OIL SUCTION HOSE Ø38-Ø47x420	1.00000
3	C810523/18	Hose length(mm): 1380 - Pressure rate: 1SC Diameter(inc): 1/4 - Phase: 1st fitting: F90 12L - 2nd fitting: FD 12L Protection:	1.00000
4	C810523/19	Hose length(mm): 1150 - Pressure rate: 1SC Diameter(inc): 1/4 - Phase:210 1st fitting: F90 12L - 2nd fitting: F45 12L Protection:	1.00000
5	C810523/20	Hose length(mm): 1700 - Pressure rate: 1SC Diameter(inc): 1/2 - Phase: 1st fitting: FD 15L - 2nd fitting: F90 15L Protection:	1.00000
6	C810523/21	Hose length(mm): 1770 - Pressure rate: 1SC Diameter(inc): 1/2 - Phase: 1st fitting: F45 15L - 2nd fitting: FD 15L Protection:	1.00000
7	C810523/22		1.00000



Draft and part list report
Serial n / code M354818 / C964008
Description MULTIONE 8.5SK 3^G STAGE5

Hose length(mm): 1500 - Pressure rate: 1SC
Diameter(inc): 1/2 - Phase:
1st fitting: FD 15L - 2nd fitting: F45 15L
Protection:

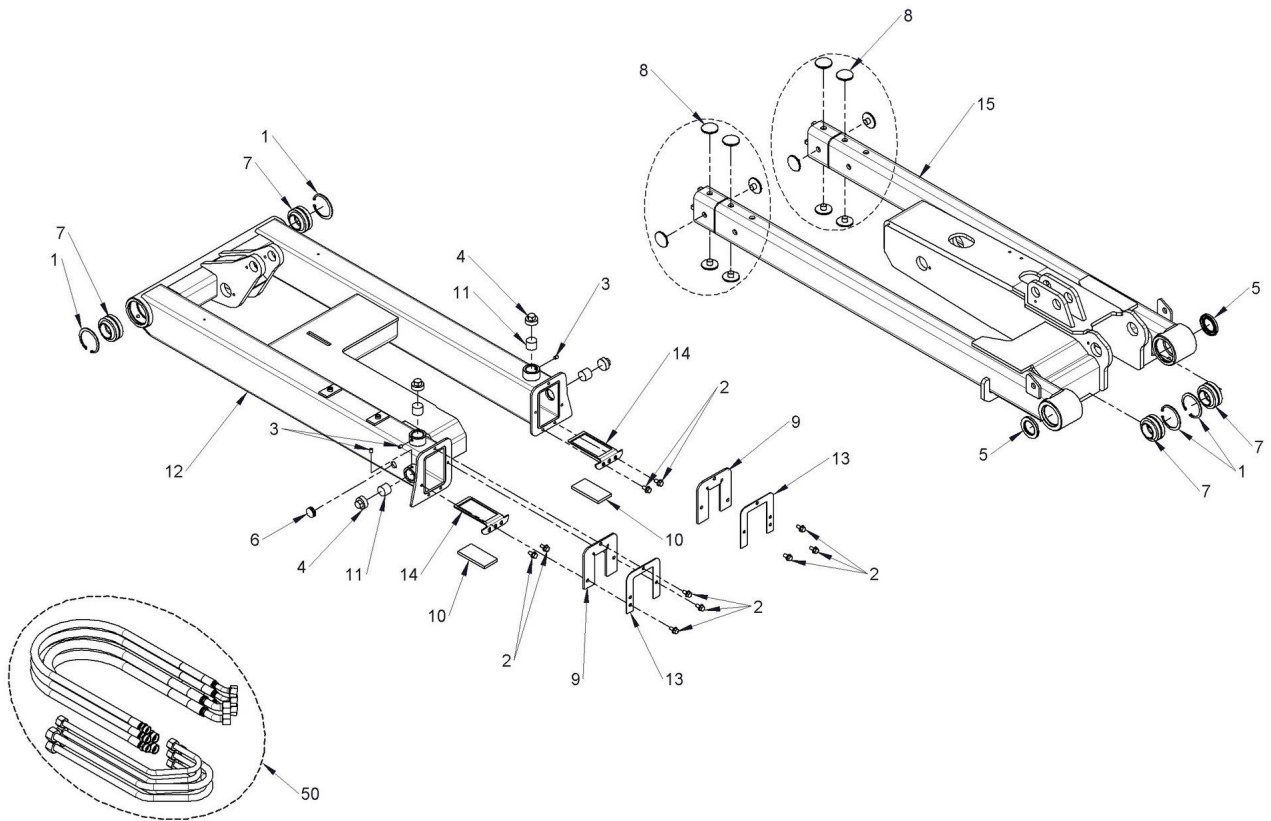
8	C810523/23	Hose length(mm): 250 - Pressure rate: 1SC Diameter(inc): 1/2 - Phase:270 1st fitting: F45 15L - 2nd fitting: F90 15L Protection:	1.00000
9	C810523/24	Hose length(mm): 300 - Pressure rate: PILOT Diameter(inc): 1/2 - Phase:0 1st fitting: F90 15L - 2nd fitting: F45 15L Protection:	1.00000
10	C810523/25	Hose length(mm): 1140 - Pressure rate: 1SC Diameter(inc): 1/2 - Phase: 1st fitting: F90 15L - 2nd fitting: MD 15L Protection:PVC	1.00000
11	C810523/26	Hose length(mm): 1085 - Pressure rate: 1SC Diameter(inc): 1/2 - Phase: 1st fitting: F90 15L - 2nd fitting: MD 15L Protection:PVC	1.00000
12	C810523/27	Hose length(mm): 1270 - Pressure rate: 1SC Diameter(inc): 3/8 - Phase: 1st fitting: F90 12L - 2nd fitting: MD 12L Protection:PVC	2.00000
13	C810523/28	Hose length(mm): 1110 - Pressure rate: PILOT Diameter(inc): 3/8 - Phase: 1st fitting: F90 12L - 2nd fitting: MD 12L Protection:PVC	1.00000
14	C810523/29	Hose length(mm): 1100 - Pressure rate: 1SC Diameter(inc): 3/8 - Phase: 1st fitting: F90 12L - 2nd fitting: FD 12L Protection:PVC	1.00000
15	C810523/30	Hose length(mm): 1000 - Pressure rate: 1SC Diameter(inc): 3/8 - Phase: 1st fitting: F90 12L - 2nd fitting: FD 12L Protection:PVC	1.00000
16	C810523/31	Hose length(mm): 880 - Pressure rate: 1SC Diameter(inc): 3/8 - Phase: 1st fitting: F90 12L - 2nd fitting: FD 12L Protection:	1.00000
17	C810523/32	Hose length(mm): 880 - Pressure rate: 1SC Diameter(inc): 3/8 - Phase: 1st fitting: F90 12L - 2nd fitting: FD 12L Protection:	1.00000
18	C810523/33	Hose length(mm): 1600 - Pressure rate: 1SC Diameter(inc): 3/8 - Phase: 1st fitting: FD 12L - 2nd fitting: FD 12L Protection:	1.00000
19	C810523/34		1.00000



Draft and part list report
Serial n / code M354818 / C964008
Description MULTIONE 8.5SK 3^G STAGE5

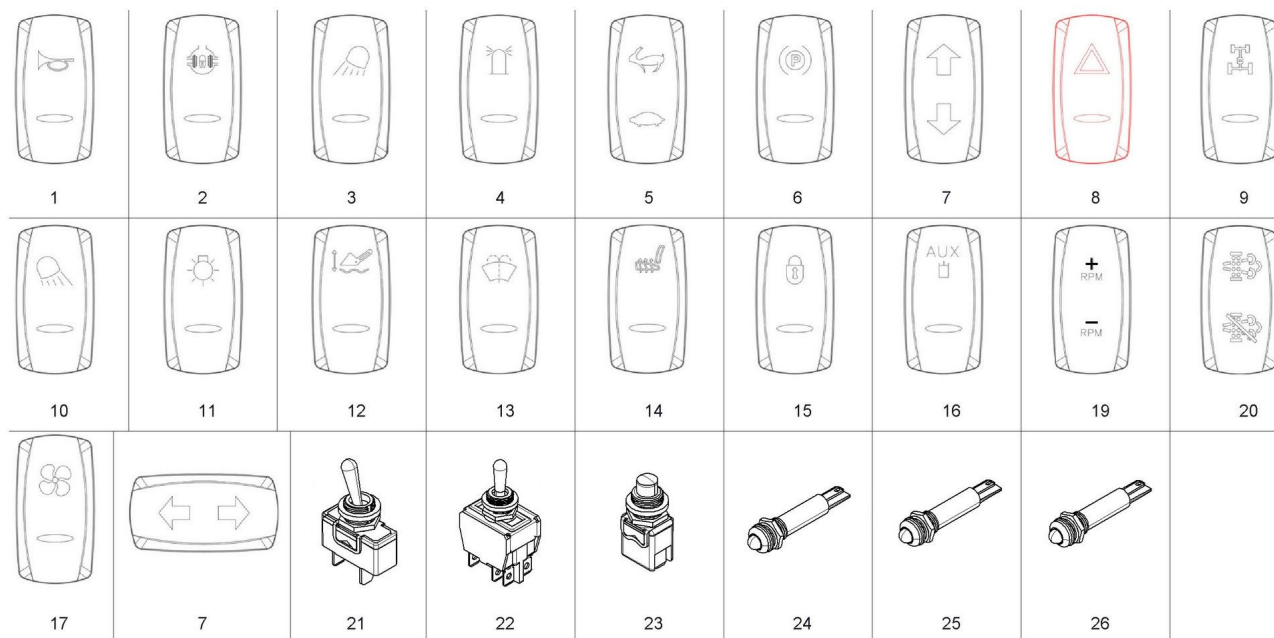
Hose length(mm): 1500 - Pressure rate: 1SC
Diameter(inc): 3/8 - Phase:
1st fitting: FD 12L - 2nd fitting: FD 12L
Protection:

20	C810523/35	Hose length(mm): 1150 - Pressure rate: 1SC Diameter(inc): 3/8 - Phase: 1st fitting: MD 12L - 2nd fitting: F90 12L Protection:PVC	1.00000
21	C810523/36	Hose length(mm): 1050 - Pressure rate: 1SC Diameter(inc): 1/2 - Phase: 1st fitting: MD 15L - 2nd fitting: F45 15L Protection:PVC	1.00000
22	C810523/37	Hose length(mm): 1050 - Pressure rate: 1SC Diameter(inc): 1/2 - Phase: 1st fitting: MD 15L - 2nd fitting: F45 15L Protection:PVC	1.00000
23	C810523/38	Hose length(mm): 1450 - Pressure rate: 1SC Diameter(inc): 3/8 - Phase: 1st fitting: MD 12L - 2nd fitting: F45 12L Protection:PVC	1.00000
24	C810523/39	Hose length(mm): 1140 - Pressure rate: PILOT Diameter(inc): 3/8 - Phase: 1st fitting: MD 12L - 2nd fitting: F45 12L Protection:PVC	1.00000
25	C810367/47	Hose length(mm): - Pressure rate: Ø22x1,5 Diameter(inc): - Phase: 1st fitting: 22L - 2nd fitting: 22L Protection:	1.00000
26	C810367/48	Hose length(mm): - Pressure rate: Ø22x1,5 Diameter(inc): - Phase: 1st fitting: 22L - 2nd fitting: 22L Protection:	1.00000



Component list [TAV. 60 BOOM COMPONENTS]

Pos.	Code	Description	Q.ty
1	C018302	BORES SEEGER RING ĩ68 DIN 472	4.00000
2	C019201	DIN 6921 M8x16 FLANGED HEAD SCREW	10.00000
3	C020571	HEXAGON SOCKET SET SCREW WHIT FLAT POINT M8x10 UNI 5923	4.00000
4	C021413	SETTING HEAD 1" G	4.00000
5	C035077	NBR SHAFT SEAL ĩ40x62x7	2.00000
6	C036039	CLOSED FAIRLEAD Ø19	1.00000
7	C037639	GE 40 FO 2RS RADIAL BALL JOINT	4.00000
8	C281633/L	ROUND SLIDE PAD FOR TELESCOPIC ARM M1 5->10	12.00000
9	C281721	TELESCOPIC ARM RUBBER PROTECTION	2.00000
10	C281734/L	SLIDING PAD	2.00000
11	C281859	SLIDING STUD M1 4->10 SERIES	4.00000
12	C282340	TELESCOPIC BOOM FIXED PART	1.00000
13	C284487	BOOM RUBBER FIXER	2.00000
14	C284488	SLIDING PAD BOOM BRACKET	2.00000
15	C285880	TELESCOPIC BOOM MOBILE PART M1 8.5	1.00000
50	C810526	BSP BOOM HOSES M1 8.5 2nd GEN	1.00000



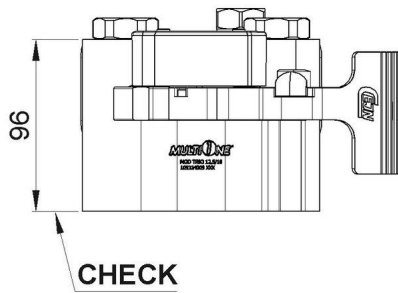
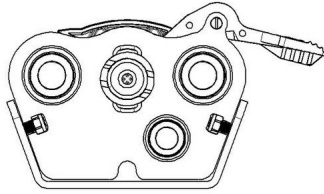
Component list [TAV. 80 ELECTRIC SWITCHES 2ND GEN]

Pos.	Code	Description	Q.ty
1	C038175	COMPLETE HORN SWITCH	1.00000
2	C038176	COMPLETE DBS SWITCH	1.00000
3	C038177	COMPLETE WORK LIGHT SWITCH	1.00000
4	C038178	COMPLETE FLASHING BEACON SWITCH	1.00000
5	C038179	COMPLETE CHANGE SPEED SWITCH	1.00000
6	C038180	COMPLETE PARKING BRAKE SWITCH	1.00000
7	C038181	COMPLETE ELECTRIC SOCKET / LIGHT DIRECTION SWITCH	1.00000
8	C038183	COMPLETE WARNING LIGHT SWITCH	1.00000
9	C038203	COMPLETE TORQUE DIVIDER SWITCH	1.00000
10	C038204	COMPLETE AUXILIARY WORK LIGHT SWITCH	1.00000
11	C038205	COMPLETE ROAD LIGHT SWITCH	1.00000
12	C038206	COMPLETE FLOATING SYSTEM SWITCH	1.00000
13	C038208	COMPLETE WINDSCREEN WASHER SWITCH	1.00000
14	C038209	COMPLETE HEATING SEAT SWITCH	1.00000
15	C038212	COMPLETE ATTACHMENT RELEASE SWITCH	1.00000
16	C038213	COMPLETE FRONT AUX OUTLET SWITCH	1.00000
17	C038214	COMPLETE FAN SWITCH	1.00000

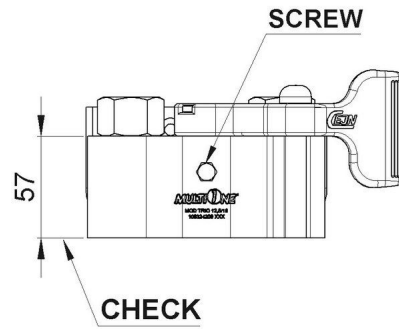
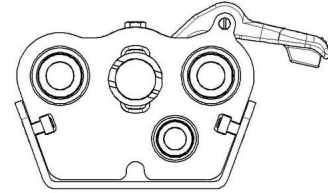


Draft and part list report
Serial n / code M354818 / C964008
Description MULTIONE 8.5SK 3^G STAGE5

19	C038215	COMPLETE RPM +/- SWITCH	1.00000
20	C038216	COMPLETE DPF CLEANER SWITCH	1.00000
21	FF180/30.34.08956	LEVER SWITCH ON-OFF, 2 TERMINAL, W/RUBBER	1.00000
22	FF180/30.34.10306	LEVER SWITCH ON-OFF-ON, 6 TERMINAL, W/RUBBER	1.00000
23	C034419	0-1R HORN SWITCH	1.00000
24	C034420	GREEN LED INDICATOR	1.00000
25	C034422	YELLOW LED INDICATOR	1.00000
26	C034423	RED LED INDICATOR	1.00000



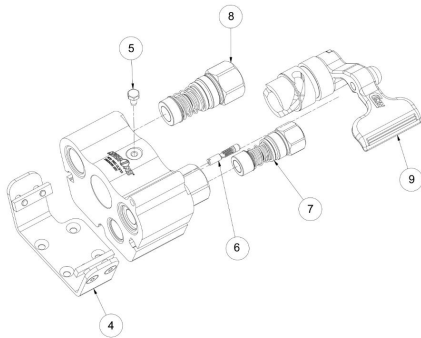
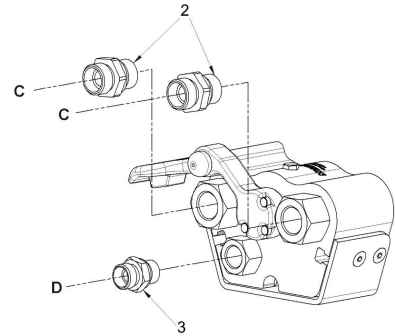
**SECOND GENERATION
 SEE TAV. 92 OR 93**



**THIRD GENERATION
 SEE TAV. 96 OR 97**

Component list [TAV. 89 COMPARE 2nd 3rd GENERATION MULTICONNECTOR MACHINE SIDE]

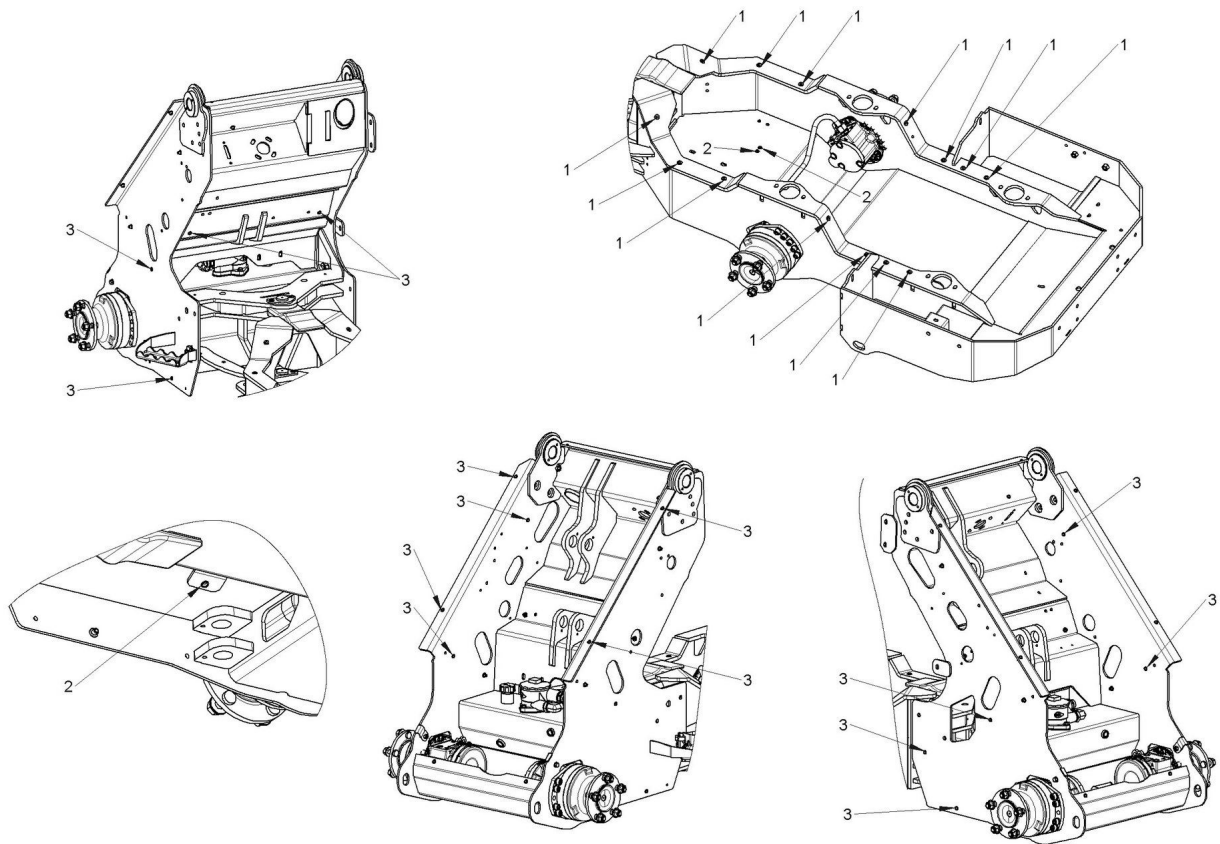
Pos.	Code	Description	Q.ty
------	------	-------------	------



HOSE TYPE	WORK PRES BAR	HOSE DIAMETER	LENGHT RUBBER HOSE	1st FITTING DIN 2353	2nd FITTING DIN 2353
2 SERIES					
"C" PORT HOSES					
1SC	160	1/2"	690	FEMALE STRAIGHT 12L (M18x1,5)	FEMALE 45° 15L (M22x1,5)
1SC	160	1/2"	730	FEMALE 90° 12L (M18x1,5)	FEMALE 45° 15L (M22x1,5)
"D" PORT HOSES					
PILOT	100	3/8"	710	FEMALE 90° 12L (M18x1,5)	FEMALE 45° 12L (M18x1,5)
4-5 SERIES					
"C" PORT HOSES					
1SC	160	1/2"	730	MALE STRAIGHT 15L (M22x1,5)	FEMALE 45° 15L (M22x1,5)
1SC	160	1/2"	780	MALE STRAIGHT 15L (M22x1,5)	FEMALE 45° 15L (M22x1,5)
"D" PORT HOSES					
PILOT	100	3/8"	790	MALE STRAIGHT 12L (M18x1,5)	FEMALE 45° 12L (M18x1,5)
6-7-8 SERIES					
"C" PORT HOSES					
1SC	160	1/2"	970	MALE STRAIGHT 15L (M22x1,5)	FEMALE 45° 15L (M22x1,5)
"D" PORT HOSES					
PILOT	100	3/8"	1060	MALE STRAIGHT 12L (M18x1,5)	FEMALE 45° 12L (M18x1,5)

Component list [TAV. 96 BSP MULTICONNECTOR 3rd GENERATION MACHINE SIDE]

Pos.	Code	Description	Q.ty
2	C033001	MALE-MALE CONNECTOR 3/8" G - 12 L	2.00000
3	C033003	MALE-MALE CONNECTOR 1/2" G - 15L	1.00000
4	FF1187/109324936	MOUNTING BRACKET	1.00000
5	FF1187/099320921	NOT AVIABLE AS SPARE PARTS	1.00000
6	FF1187/109324992	LOCKING LEVER PIN KIT	1.00000
7	FF1187/103651908	BSP 3/8" GAS COUPLING INSERT FEMALE MULTI 3rd GEN	1.00000
8	FF1187/105651908	BSP 1/2" GAS COUPLING INSERT FEMALE MULTI 3rd GEN	2.00000
9	FF1187/109324951	LOCKING LEVER FEMALE MULTI 3rd GEN	1.00000



Component list [TAV. THREAD INSERT]

Pos.	Code	Description	Q.ty
1	C028288	THREAD INSERT M6	14.00000
2	C028271	THREAD INSERT M6	3.00000
3	C028291	THREAD INSERT M6	18.00000