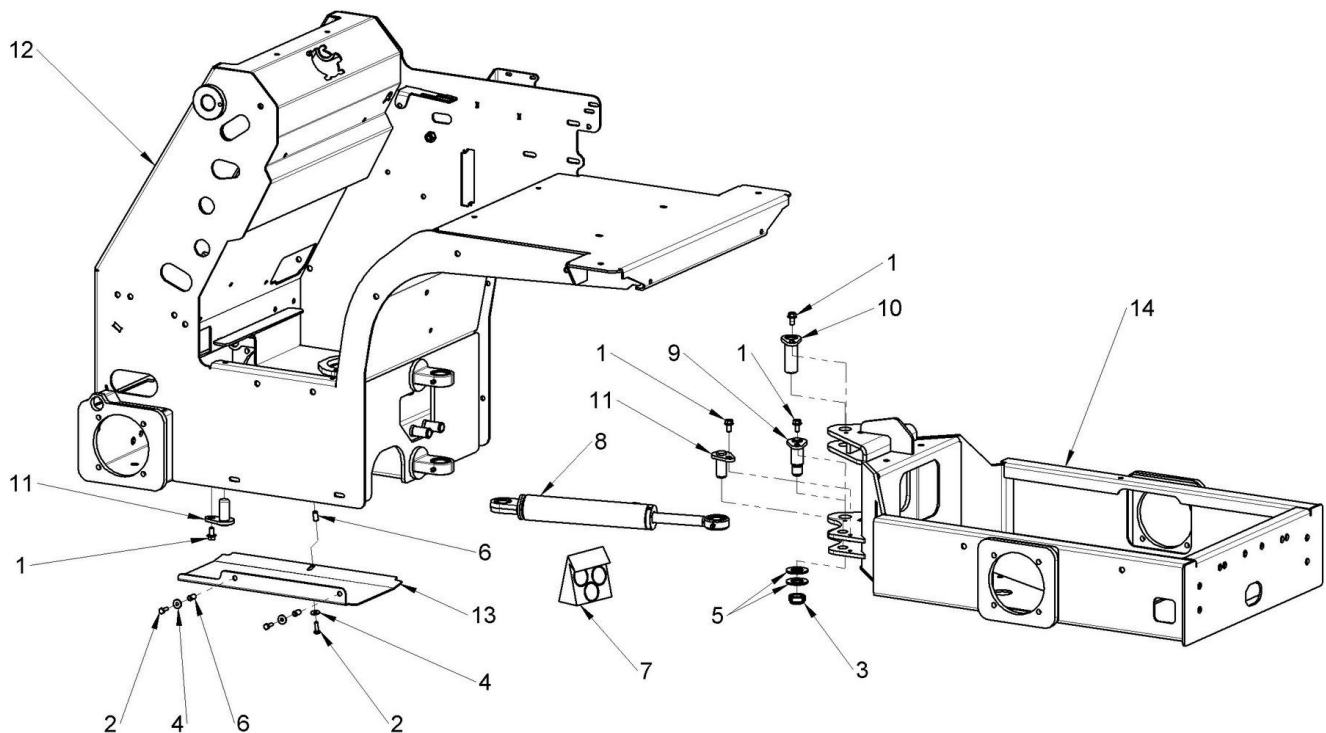




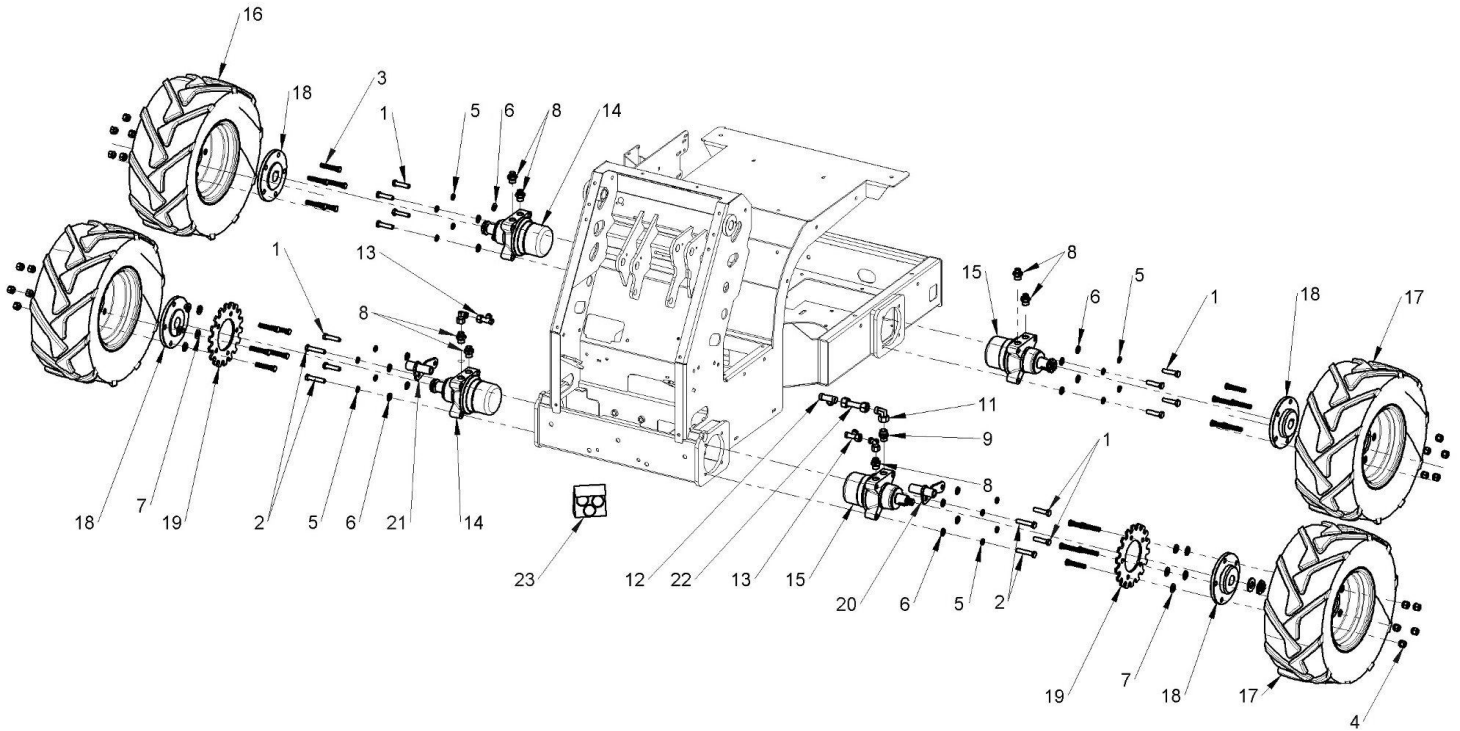
List of machine draft

N.	Draft
1	TAV. 01 2.3 ARTICULATION
2	TAV. 02 2.3 WHEEL MOTORS
3	TAV. 03 2.3 PEDALS, OUTLET DISTRIBUTOR, POWER STEERING, HYDRAULIC OIL FILTER
8	TAV. 04 2.3 BOOM AND COUPLING PLATE
4	TAV. 04 2.3 HYDRAULIC DISTRIBUTOR AND OIL COOLER
5	TAV. 05 2.3 PLASTIC COVER
6	TAV. 06 2.3 SEPARATED PARTS
7	TAV. 07 2.3 HAND BRAKE
9	TAV. 09 2.3 LIFTING BOOM
10	TAV. 10 2.3 SEAT AND ROLLBAR
11	TAV. 11 2.3 DASHBOARD
12	TAV. 12 ENGINE AND PUMPS
13	TAV. 13 2.3 TRANSMISSION HYDRAULIC DIAGRAM
14	TAV. 14 2.3 SERVICES HYDRAULIC DIAGRAM
25	TAV. 15 PLASTIC PETROL TANK
15	TAV. 20 2.3 ROAD LIGHT AND HEATED SEAT (OPTIONAL)
16	TAV. 21 2.3 REAR OUTLET (OPTIONAL)
17	TAV. 22 2.3 CABIN WITH HEATING SYSTEM (OPTIONAL)
18	TAV. 23 2.3 FOPS FRAME
19	TAV. 24 2.3 REAR BACKWEIGHT
20	TAV. 25 2.3 POLYCARBONATE CABIN WITH HEATING SYSTEM
21	TAV. 60 SWITCHES
24	TAV. 95 DECALS
22	TAV. 96 MACHINE MULTICONNECTOR WEO FITTINGS
23	TAV. 99 HYDRAULIC MULTI COUPLING PLATE, FIX 3 WAY, ATTACHMENTS 3 WAY, ATTACHMENTS 2 WAY



Component list [ TAV. 01 2.3 ARTICULATION ]

Pos.	Code	Description	Q.ty
1	C019201	HEXAGON FLANGE BOLT M8x16 DIN 6921	4.00000
2	C020051	ISO 4017 M6x20 SCREW	3.00000
3	C021409	M20x1 (GUP KM4) SELF LOCKING RING	1.00000
4	C023110	PLAIN WASHER LARGE SERIES M6 6.5X18X1.5 DIN9021	3.00000
5	C023115	M24 FLAT WASHER UNI ISO 7089	2.00000
6	C028271	THREAD INSERT M6	3.00000
7		{{>desc}}	1.00000
8	C220223	STEERING CYLINDER FOR MK - MZ	1.00000
9	C230273	SPINA FLANGIATA CERNIERA INF. MK-MZ Ĩ25-M20 L=42 (L.TOT=65) REV.01	1.00000
10	C245023/L	LIFT CYLINDER PIN UPPER FOR MIG 14 3WD	1.00000
11	C271597	STEERING CYLINDER PIN M SERIES	2.00000
12	C283200	FRONT FRAME	1.00000
13	C277920	POWER STERRING CYLINDER PROTECTION COVER	1.00000
14	C277930	REAR FRAME	1.00000



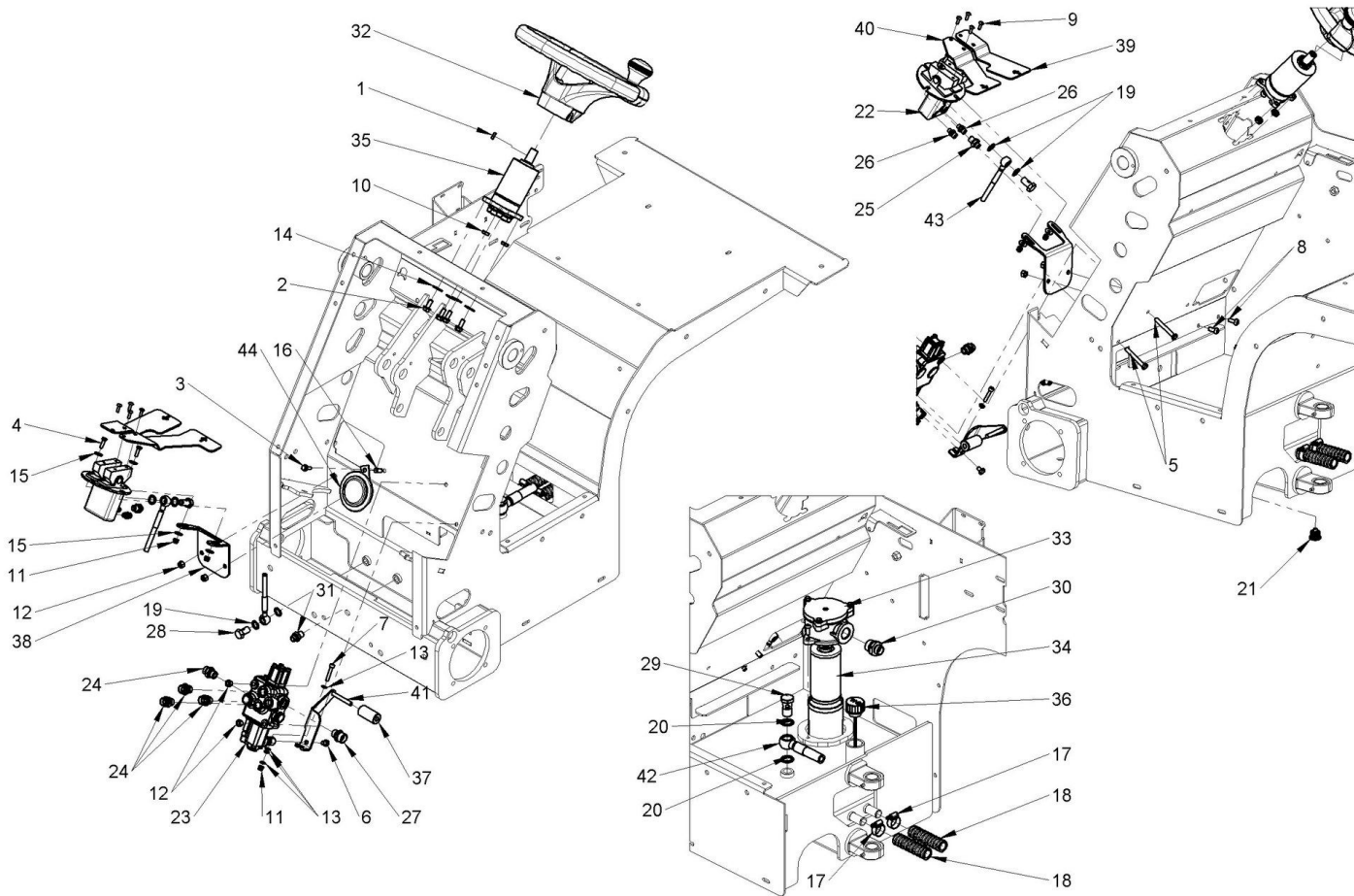
Component list [ TAV. 02 2.3 WHEEL MOTORS ]

Pos.	Code	Description	Q.ty
1	C020136	HEXAGON HEAD SCREW 8.8 M12X50 ISO4017	12.00000
2	C020153	{{>desc}}	4.00000
3	C020501	AXLE STUD BOLT M12X1.5X70 ZNB	20.00000
4	C021133	ROUNDED NUT M12X1.5 CH19 ZN	20.00000
18	C271812	HUB FOR ORBITAL WHEEL MOTOR	4.00000
6	C023102	PLAIN WASHER M12 UNI 6592	16.00000
7	C023103	FLAT WASHER X M14 15X28X2.5 ZN UNI6592	10.00000
8	C033002	NIPPLES 1/2" G / 12L	7.00000
9	C033003	NIPPLES 1/2" G / 15L	1.00000
10	C033024	ELBOW FITTING F12L ORIENT. /M12L	2.00000
11	C033025	90° FITTING F15L ORIENT. / M15L	1.00000
12	C033030	T CONNECTION M-M-M 15L	1.00000
13	C033032	T-CONNECTION F-M-M 12L	2.00000
14	C038540	OMEW 250 RIGHT WHEEL MOTOR	2.00000
15	C038541	OMEW 250 LEFT WHEEL MOTOR	2.00000
16	C040062	{{>desc}}	2.00000



**Draft and part list report**  
**Serial n / code M331750 / C951027**  
**Description MULTIONE 2.3 27HP CERT.CE+MAN.OP**

17	C040062	{{>desc}}	2.00000
19	C276650	HAND BRACKE WHEEL	2.00000
20	C278233	LEFT HAND BRAKE PIN DRIVER	1.00000
21	C278234	RIGHT HAND BRAKE PIN DRIVER	1.00000
22	C810350/29	{{>desc}}	1.00000
23	FF139/151H1101	OMEW SEAL KIT	1.00000
5	C023043	SELF LOCKING WASHER M12	16.00000



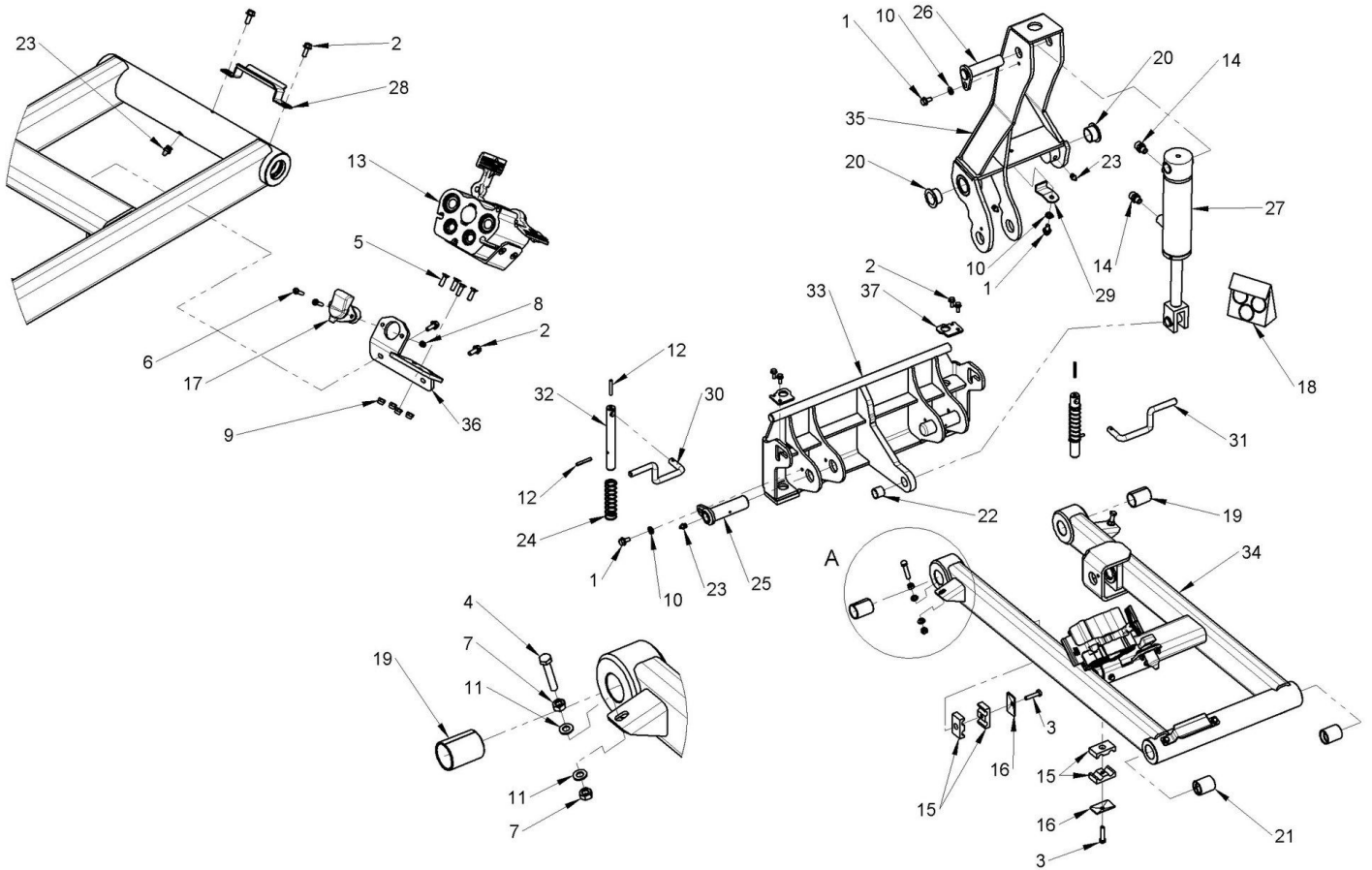
Component list [ TAV. 03 2.3 PEDALS, OUTLET DISTRIBUTOR, POWER STEERING, HYDRAULIC OIL FILTER ]

Pos.	Code	Description	Q.ty
1	C018204	KEY 5x6.5 UNI 6606-69	1.00000
2	C019202	HEXAGON FLANGE BOLT M8X20 DIN 6921	4.00000
3	C019212	M6x20 BOLT UNI 1665	1.00000
4	C020051	ISO 4017 M6x20 SCREW	2.00000
5	C020080	HEXAGON HEAD SCREW M8x60 ISO 4017	2.00000
6	C020088	SCREW TE 8.8 M 8X10	1.00000
7	C020214	HEXAGON SOCKET HEAD CAP SCREW M6X35 ZN UNI ISO 4762	1.00000
8	C020541	HEXAGON SOCKET OVAL HEAD SCREW M8x20 ISO 7380	4.00000
9	C020547	HEXAGON SOCKET OVAL HEAD SCREW M5x16 ISO 7380	4.00000
10	C021013	HEXAGON NUT M10 UNI 5589	2.00000
11	C021104	PREVAILING TORQUE-TYPE HEXAGONAL NUTS WITH POLYAMIDE RING M6 UNI 7473	3.00000
12	C021502	SLOTTED AND CASTLE HEXAGON NUTS M8 DIN980	4.00000
13	C023090	FLAT WASHER M6 6.4x12x1.6 UNI 6592	4.00000
14	C023100	PLAIN WASHER LARGE SERIES M8 DIN 9021	4.00000
15	C023110	PLAIN WASHER LARGE SERIES M6 6.5X18X1.5 DIN9021	4.00000
16	C028271	THREAD INSERT M6	1.00000



**Draft and part list report**  
**Serial n / code M331750 / C951027**  
**Description MULTIONE 2.3 27HP CERT.CE+MAN.OP**

17	C029046	STEEL BELT 20/32 MM	2.00000
18	C030102	OIL SUCTION PIPE 19x28	2.00000
19	C030540	COPPER WASHER 1/4" GAS	4.00000
20	C030542	BONDED WASHER 1/2" GAS	2.00000
21	C030610	MAGNETIC MALE PLUG G 1/2"	1.00000
22	C030729	TWIN PEDAL CONTROL BLOCK W/OUT PEDAL	1.00000
23	C030751	M SERIES HYDRAULIC DISTRIBUTOR 1 SECT	1.00000
24	C033001	NIPPLES 3/8" G / 12L	4.00000
25	C033007	NIPPLES 1/4" GAS / 6L	1.00000
26	C033008	NIPPLES 1/8" GAS / 6L	2.00000
27	C033010	3/8"-15L MALE JOINT	1.00000
28	C033015	PERFORED BOLT 1/4"	2.00000
29	C033017	VITE PER OCCHIO SINGOLO 1/2"	1.00000
30	C033020	NIPPLES 3/4" G - 15L	1.00000
31	C033134	NIPPLES 1/4GAS-8L	1.00000
32	C036467	STEERING WHEEL BLUE	1.00000
33	C036600	RETURN FILTER ASSY FOR S/SL SERIES	1.00000
34	C036601	RETURN FILTER 10 micron CARTRIDGE FOR M/S/SL/F SERIES	1.00000
35	C038520	STEERING UNIT FOR M SERIES	1.00000
36	C038748	1" G PRESSURIZED LEVEL CUP	1.00000
37	C271838	ROTELLA LEVA PRESE/AGGANCIO PIASTRA IN NYLON GIALLO SERIE M	1.00000
38	C277927	PEDAL SUPPORT	1.00000
39	C278236	FORWARD PEDAL MK-MZ SERIES	1.00000
40	C278237	BACKWARDS PEDAL MK-MZ SERIES	1.00000
41	C278270	FRONT OUTLET PEDAL	1.00000
42	C810350/07	{{>desc}}	1.00000
43	C810350/10	{{>desc}}	2.00000
44	FF180/135007	HORN DEVICE	1.00000



Component list [ TAV. 04 2.3 BOOM AND COUPLING PLATE ]

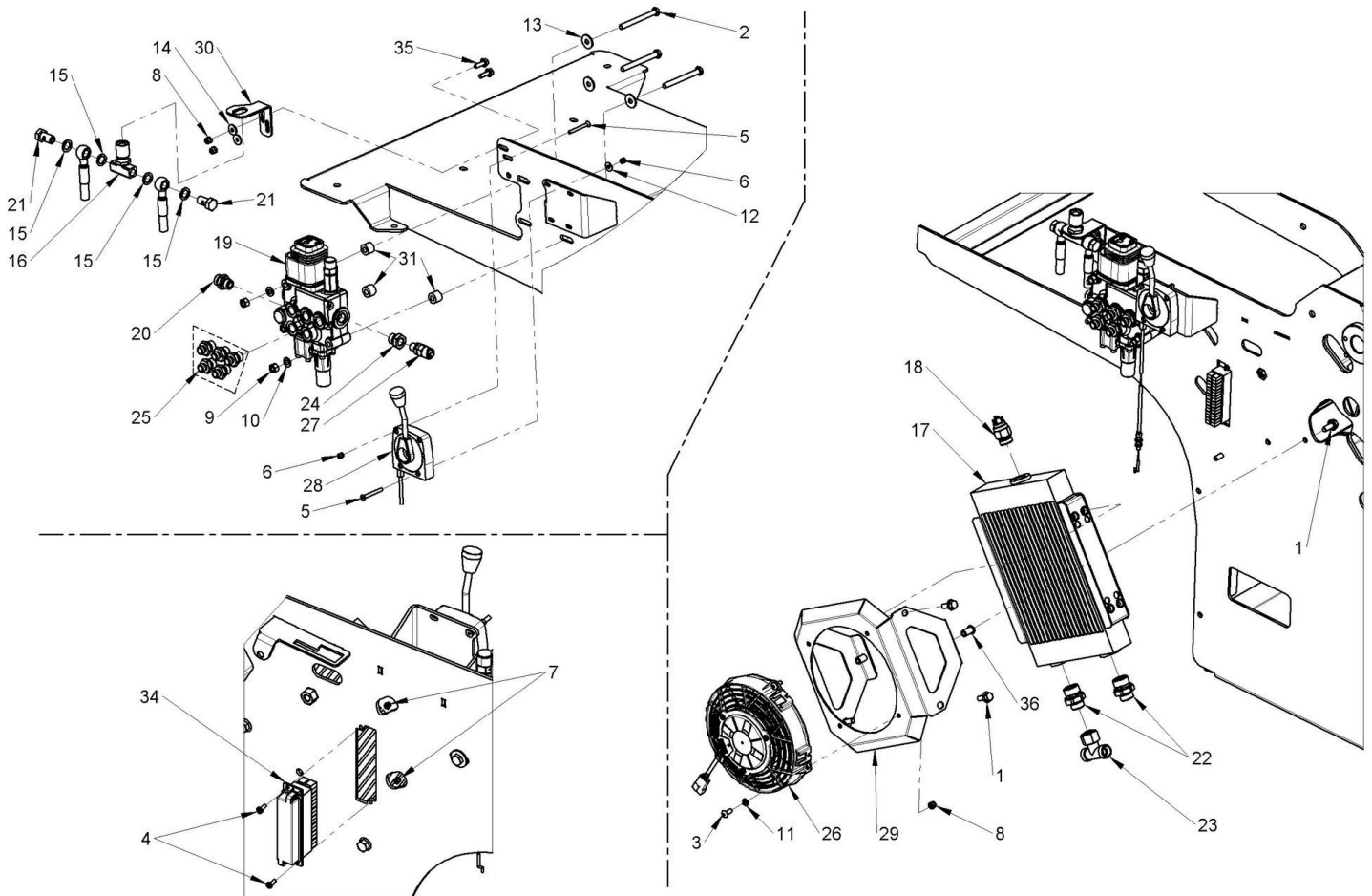
Pos.	Code	Description	Q.ty
1	C019201	HEXAGON FLANGE BOLT M8x16 DIN 6921	4.00000
2	C019211	M6x16 BOLT UNI 1665	8.00000
3	C020076	HEX SCREW TE 8.8 M8X35 ZB UNI 5739	2.00000
4	C020078	HEXAGON HEAD SCREW M8X45 UNI 5739	2.00000
5	C020187	SCREW TSPEI 10.9 M6X20 UNI5933 ZN	4.00000
6	C020287	RECESSED RAISED CHEESE HEAD SCREW M5x20 UNI 7687 DIN 7985	2.00000
7	C021010	NUT E 6S M8 UNI 5588	4.00000
8	C021102	PREVAILING TORQUE - TYPE HEXAGON NUT WITH POLYAMIDE RING M5 DIN 982	2.00000
9	C021104	PREVAILING TORQUE-TYPE HEXAGONAL NUTS WITH POLYAMIDE RING M6 UNI 7473	4.00000
10	C023041	NORD LOCK WASHER M8	4.00000
11	C023071	PLAIN WASHER M8 8.4x16x1.6 UNI6592	4.00000
12	C028267	SPRING TYPE STRAIGHT PIN 6x40 UNI 6875	4.00000
13	C030480	HYDRAULIC MULTICONNECTOR, FIX 3 WAY	1.00000
14	C033009	NIPPLES 1/4" G - 12L	2.00000
15	C035042	2 PLACES 1/4" HOSE CLAMP	4.00000
16	C035140	UPPER PLATE FOR HOSE HOLDER, TWIN	2.00000



**Draft and part list report**  
**Serial n / code M331750 / C951027**  
**Description MULTIONE 2.3 27HP CERT.CE+MAN.OP**

17	FF180/25.036.100	3 POLE CONNECTOR (MACHINE MOUNT)	1.00000
18		{{>desc}}	1.00000
19	C037608	BEARING 30-34-45	2.00000
20	C037645	30x20 BRONZE BUSHING	2.00000
21	C037608	BEARING 30-34-45	2.00000
22	C037963	FLANGED BUSH İ12-İ14 L=15	1.00000
23	C090030	GREASER M10X1 UNI 7663A	6.00000
24	C220330	COMPRESSION SPRING	2.00000
25	C240208	Ø30x100 FLANGED PIN	2.00000
26	C271578	Ø25x95 FLANGED PIN	1.00000
27	C271769	COUPLING PLATE TILT CYLINDER MK-MZ 2ND GEN	1.00000
28	C272042	HOSE BRACKET	1.00000
29	C277807	BOOM STOPPER ON FRONT FRAME	1.00000
30	C281827	LEFT LEVER, COUPLING PLATE	1.00000
31	C281869	RIGHT LEVER, COUPLING PLATE	1.00000
32	C281870/L	LOCKIN ATTACHMENTS PIN	2.00000
33	C283201	COUPLING PLATE MK-MZ 3RD GEN	1.00000
34	C283204	BOOM M1 2.2-2.3	1.00000
35	C283217	TILT CILINDER PLACE	1.00000
36	C283236	MULTICONNECTOR SUPPORT	1.00000
37	C283240	SPRING REACTION PLATE	2.00000





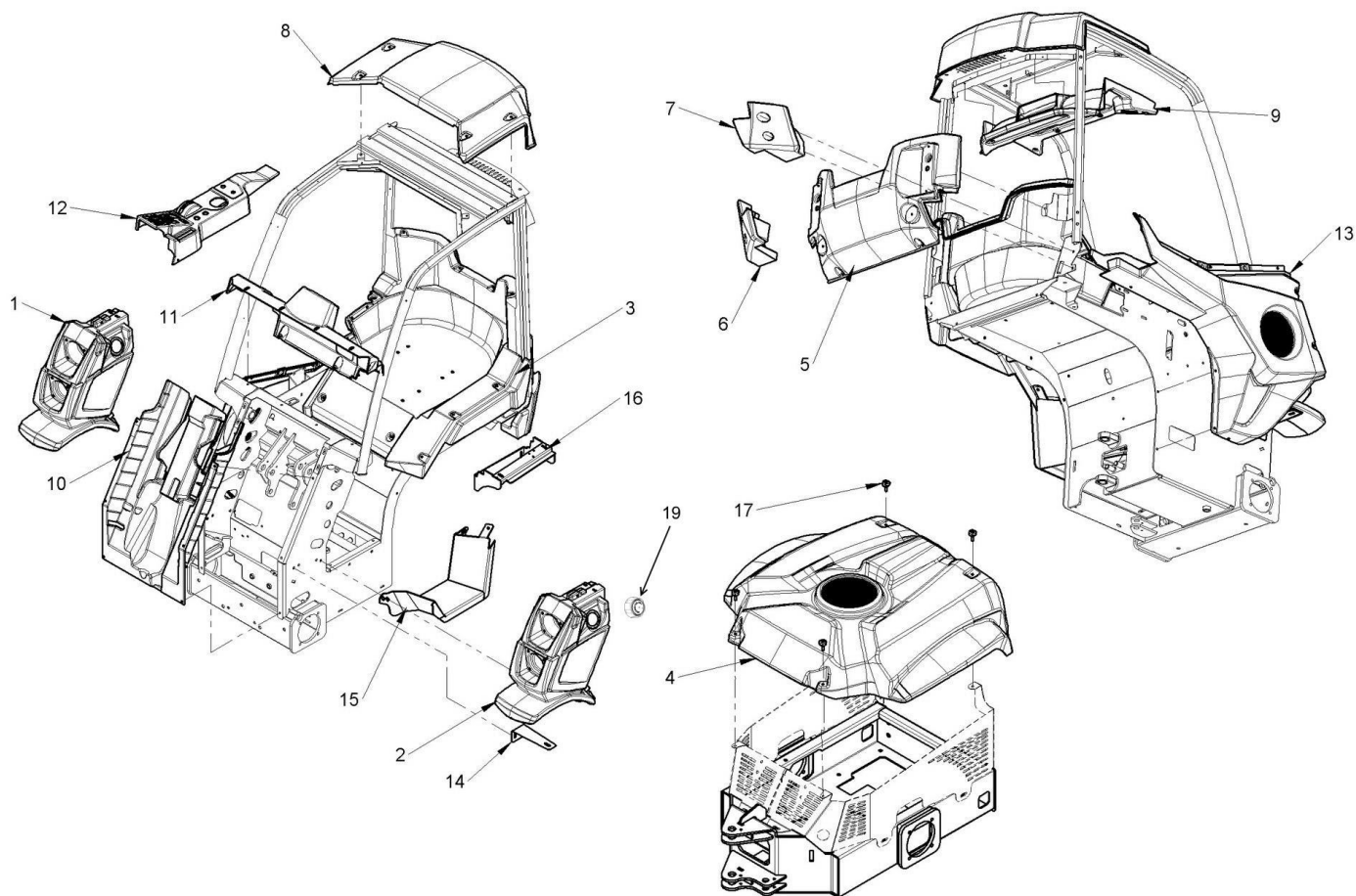
Component list [ TAV. 04 2.3 HYDRAULIC DISTRIBUTOR AND OIL COOLER ]

Pos.	Code	Description	Q.ty
1	C019202	HEXAGON FLANGE BOLT M8X20 DIN 6921	6.00000
2	C020081	HEX HEAD SCREW 8.8 M8X80 UNI ISO 4017	3.00000
3	C020145	HEXAGON SOCKET OVAL HEAD SCREW M6x16 ISO 7380	4.00000
4	C020282	SCREW TCTC M4X12 ZN UNI 7687	2.00000
5	C020290	SCREW TSP 10.9 M5X45	2.00000
6	C021102	PREVAILING TORQUE - TYPE HEXAGON NUT WITH POLYAMIDE RING M5 DIN 982	2.00000
7	C021103	SELF LOCKING NUT M4 DIN 982	2.00000
8	C021104	PREVAILING TORQUE-TYPE HEXAGONAL NUTS WITH POLYAMIDE RING M6 UNI 7473	6.00000
9	C021502	SLOTTED AND CASTLE HEXAGON NUTS M8 DIN980	3.00000
10	C023071	PLAIN WASHER M8 8.4x16x1.6 UNI6592	3.00000
11	C023090	FLAT WASHER M6 6.4x12x1.6 UNI 6592	4.00000
12	C023098	PLAIN WASHER LARGE SERIES M5 DIN 9021	1.00000
13	C023100	PLAIN WASHER LARGE SERIES M8 DIN 9021	3.00000
14	C023110	PLAIN WASHER LARGE SERIES M6 6.5X18X1.5 DIN9021	2.00000
15	C030540	COPPER WASHER 1/4"" GAS	4.00000
16	C030563	DIFFERENTIAL VALVE	1.00000



**Draft and part list report**  
**Serial n / code M331750 / C951027**  
**Description MULTIONE 2.3 27HP CERT.CE+MAN.OP**

17	C030587	OIL COOLER FOR MULTIONE S 600 SERIES	1.00000
18	C030606	THERMOSWITCH 50-60;	1.00000
19	C030752	M SERIES HYDRAULIC DISTRIBUTOR	1.00000
20	C033001	NIPPLES 3/8"" G / 12L	1.00000
21	C033015	PERFORED BOLT 1/4""	2.00000
22	C033020	NIPPLES 3/4" G - 15L	2.00000
23	C033034	RACCORDO A T M-F-M 15L	1.00000
24	C033047	ADAPTER M 3/8 G - F 1/4 G	1.00000
25	C033133	NIPPLES 3/8"" GAS / 8L	5.00000
26	C034001	190mm ELECTRIC FAN	1.00000
27	C037001	MANOMETER QUICK PLUG 1/4""	1.00000
28	C038744	KIT ACCELERATORE SERIE MK-MZ	1.00000
29	C277959	OIL COOLER CONVEYOR	1.00000
30	C278271	{{>desc}}	1.00000
31	C279659	DISTANZIALE SOTTO DISTRIBUTORE MK-MZ	3.00000
32	C810350/08	{{>desc}}	1.00000
33	C810350/09	{{>desc}}	1.00000
34	FF180/AK 67111	FUSE BOX	1.00000
35	C019212	M6x20 BOLT UNI 1665	2.00000
36	C028270	THREAD INSERT M8	2.00000



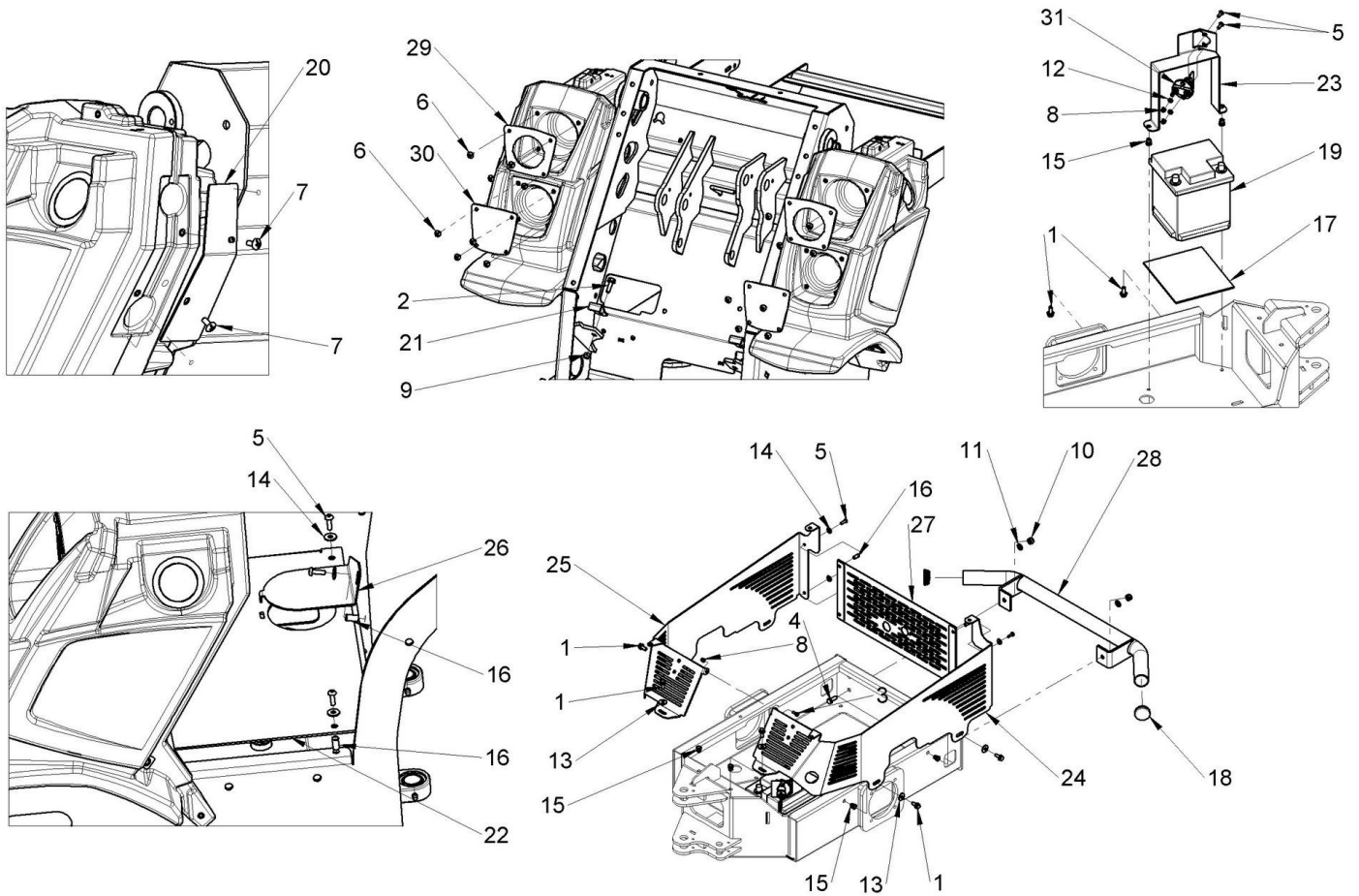
Component list [ TAV. 05 2.3 PLASTIC COVER ]

Pos.	Code	Description	Q.ty
1	C041376	16LT FUEL TANK, RIGHT	1.00000
2	C041583	LEFT TANK FOR MK-MZ, 16 LT	1.00000
3	C041382	UNDERSEAT PLASTIC COVER	1.00000
4	C041384	OVER ENGINE COVER	1.00000
5	C041385	BACK SEAT PLASTIC COVER	1.00000
6	C041386	LEFT RUBBER PROTECTION MK-MZ	1.00000
7	C041387	RIGHT RUBBER PROTECTION MK-MZ	1.00000
8	C041388	OVER CANOPY PLASTIC COVER	1.00000
9	C041389	UNDER CANOPY PLASTIC COVER	1.00000
10	C041391	UNDER BOOM COVER	1.00000
11	C041392	FRONT DASHBOARD	1.00000
12	C041393	RIGH DASHBOARD	1.00000
13	C041394	RIGHT SIDE WITH NET	1.00000
14	C277564	LOWER TANK SUPPORT	4.00000
15	C278244	CLIMBING STEP MK-MZ SERIES	1.00000
16	C278262	DOOR PLASTI COVER SUPPORT	1.00000



**Draft and part list report**  
**Serial n / code M331750 / C951027**  
**Description MULTIONE 2.3 27HP CERT.CE+MAN.OP**

17	C028024	THREE-LOBED LOWERED HANDWHEEL WITH M6x20 THREADED PIN	4.00000
18	C277567	UPPER TANK SUPPORT	2.00000
19	C038775	FUEL CUP, RATCHED 2,25,UNLEADED 5211,OPEN VENT,TETHERED,CARB	1.00000



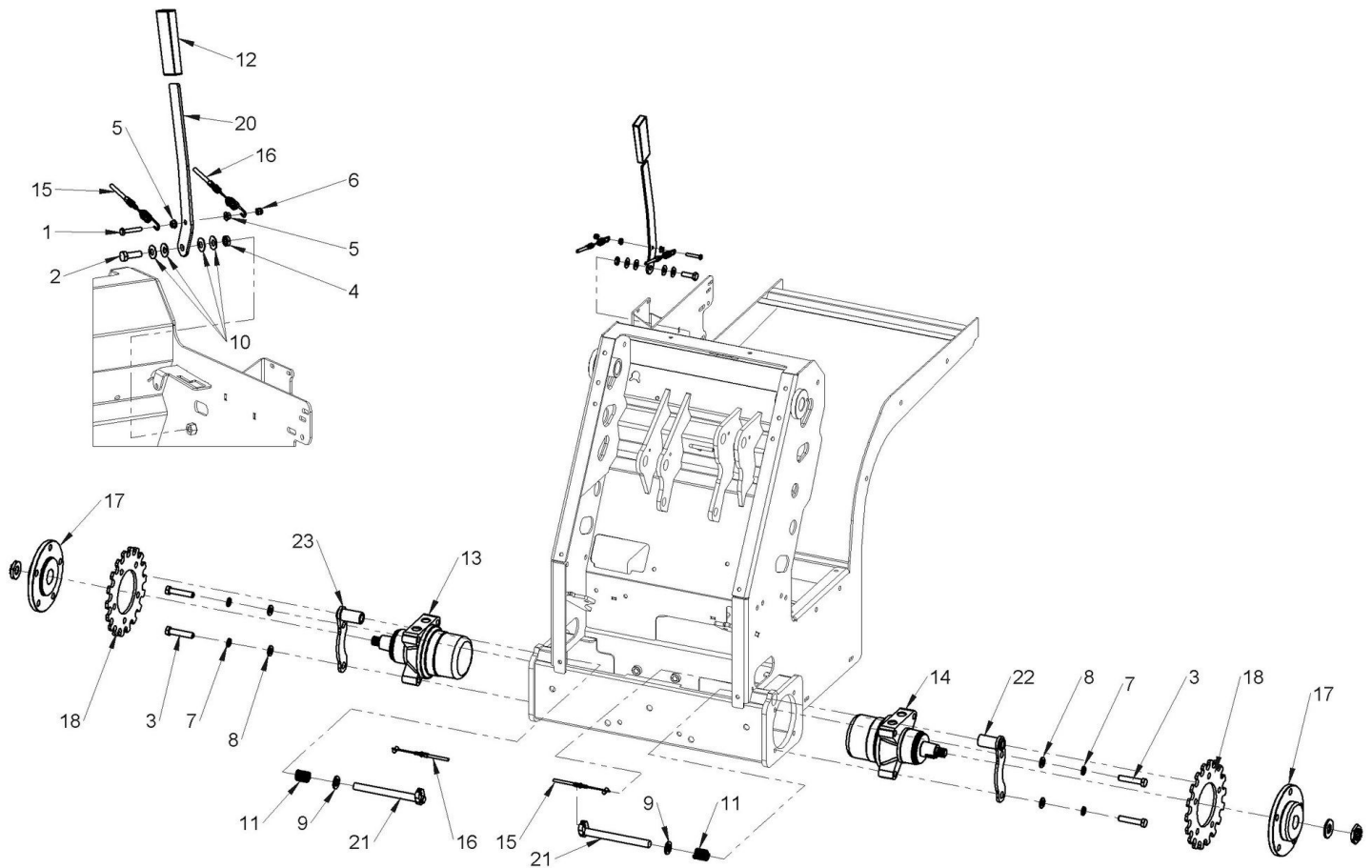
Component list [ TAV. 06 2.3 SEPARATED PARTS ]

Pos.	Code	Description	Q.ty
1	C019202	HEXAGON FLANGE BOLT M8X20 DIN 6921	8.00000
2	C019203	HEXAGON FLANGE BOLT M8X25 ISO 1665	2.00000
3	C020050	HEXAGON HEAD PIPE PLUG M6X16 UNI 5739	1.00000
4	C020101	HEXAGON HEAD SCREW 8.8 M10X25 UNI EN ISO 4017	2.00000
5	C020548	HEXAGON SOCKET OVAL HEAD SCREW M6x20 ZN UNI/ISO 7380	10.00000
6	C020600	{{>desc}}	16.00000
7	C020601	{{>desc}}	4.00000
8	C021104	PREVAILING TORQUE-TYPE HEXAGONAL NUTS WITH POLYAMIDE RING M6 UNI 7473	3.00000
9	C021502	SLOTTED AND CASTLE HEXAGON NUTS M8 DIN980	2.00000
10	C021503	SELF-LOCKING HEXAGONAL NUT M10 ZN DIN980	2.00000
11	C023080	FLAT WASHER X M10 10.5X20X2	2.00000
12	C023090	FLAT WASHER M6 6.4x12x1.6 UNI 6592	2.00000
13	C023100	PLAIN WASHER LARGE SERIES M8 DIN 9021	6.00000
14	C023110	PLAIN WASHER LARGE SERIES M6 6.5X18X1.5 DIN9021	8.00000
15	C028270	THREAD INSERT M8	8.00000
16	C028271	THREAD INSERT M6	8.00000



**Draft and part list report**  
**Serial n / code M331750 / C951027**  
**Description MULTIONE 2.3 27HP CERT.CE+MAN.OP**

17	C029253	PANNELLO IN GOMMA ANTIVIBRAZIONI mm. 210x175 Sp. 3	1.00000
18	C035044	TAPPO IN PLASTICA PER TUBI İ48.3	2.00000
19	C036420	BATTERY 12V 40AH	1.00000
20	C277563	CLOSING TANK PLATE	2.00000
21	C277807	BOOM STOPPER ON FRONT FRAME	2.00000
22	C277925	FOOTREST PLATE	1.00000
23	C277962	BATTERY BRACKET	1.00000
24	C277964	FIANCO SX SUPPORTO COFANO MOTORE SERIE MK-MZ	1.00000
25	C277966	FIANCO DX SUPPORTO COFANO MOTORE SERIE MK-MZ	1.00000
26	C278243	INSPECTION OIL PLATE MK-MZ SERIES	1.00000
27	C278266	BACK ENGINE COOLER NET	1.00000
28	C278285	MK-MZ REAR BUMPER	1.00000
29	C278924	WORK LIGHT SUPPORT	2.00000
30	C278925	CLOSING PLATE MK-MZ SERIES	2.00000
31	FF180/0034.0303	BATTERY SWITCH	1.00000



Component list [ TAV. 07 2.3 HAND BRAKE ]

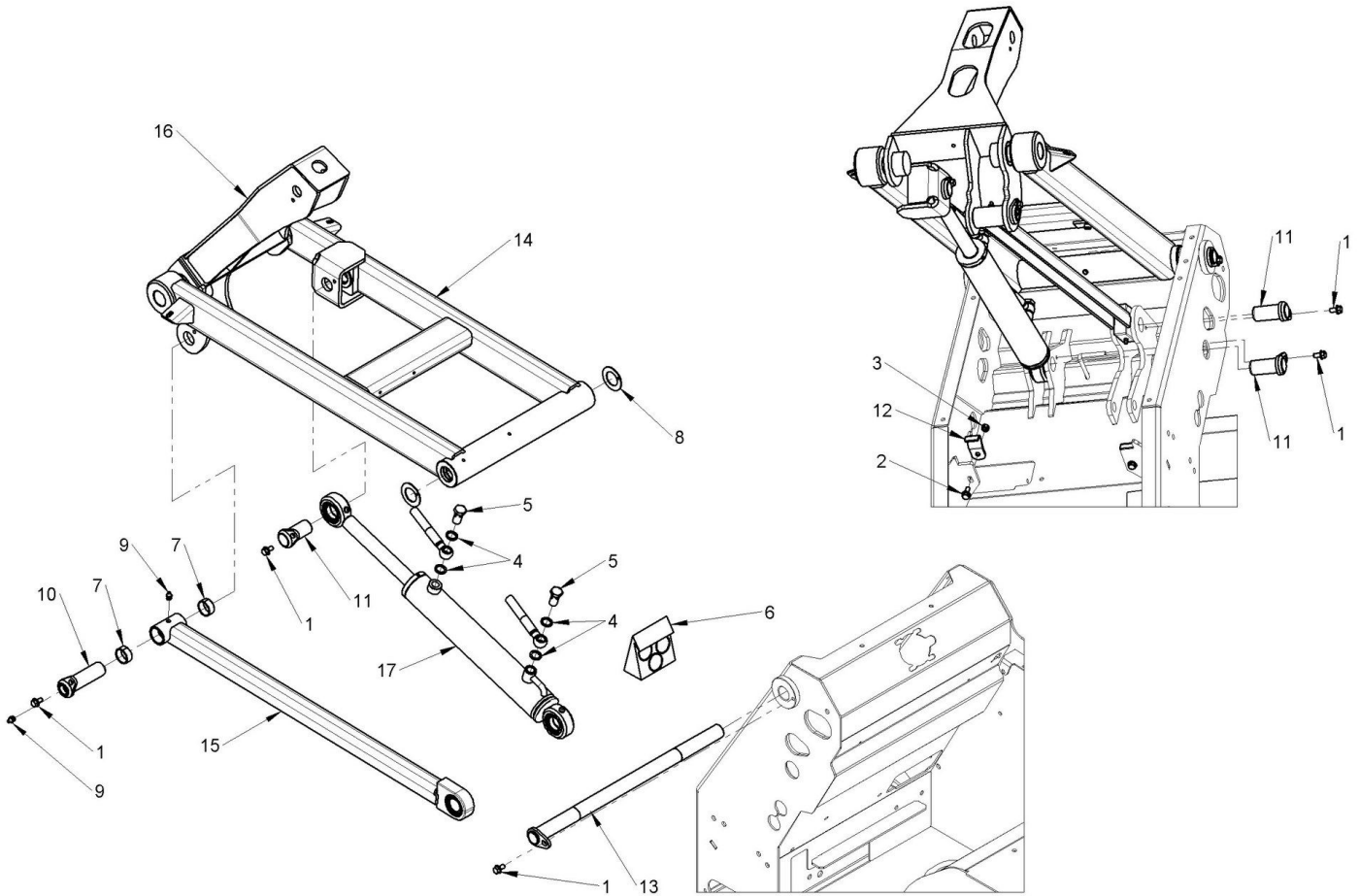
Pos.	Code	Description	Q.ty
1	C020054	HEXAGON HEAD SCREW M6x35 ZB UNI 4017	1.00000
2	C020102	HEXAGON HEAD SCREW M10x30 UNI 5739	1.00000
3	C020153	{{>desc}}	4.00000
4	C021013	HEXAGON NUT M10 UNI 5589	1.00000
5	C021018	NUT E 6S M6 SERPRESS	2.00000
6	C021104	PREVAILING TORQUE-TYPE HEXAGONAL NUTS WITH POLYAMIDE RING M6 UNI 7473	1.00000
7	C023043	SELF LOCKING WASHER M12	4.00000
8	C023102	PLAIN WASHER M12 UNI 6592	4.00000
9	C023139	FLAT WASHER X M16 Ĩ17x30x3 UNI ISO 7089	2.00000
10	C023200	MOLLA A TAZZA 23x10.2x1 DIN 2093	4.00000
11	C029502	MOLLA A COMPRESSIONE Ĩ20.6x31 FILO Ĩ2 - 6.5 SPIRE - ZINCATA	2.00000
12	C035020	GUM HANDLE 30X5	1.00000
13	C038540	OMEW 250 RIGHT WHEEL MOTOR	1.00000
14	C038541	OMEW 250 LEFT WHEEL MOTOR	1.00000
15	C038706	LEFT SIDE BRAKE CABLE M SERIES	1.00000
16	C038707	RIGHT SIDE BRAKE CABLE M SERIES	1.00000



**Draft and part list report**  
**Serial n / code M331750 / C951027**  
**Description MULTIONE 2.3 27HP CERT.CE+MAN.OP**

17	C271812	HUB FOR ORBITAL WHEEL MOTOR	2.00000
18	C276650	HAND BRACKE WHEEL	2.00000
19	C277910	{{>desc}}	1.00000
20	C277956	HAND BRAKE LEVER	1.00000
21	C277986	HAND BRAKE PIN	2.00000
22	C278233	LEFT HAND BRAKE PIN DRIVER	1.00000
23	C278234	RIGHT HAND BRAKE PIN DRIVER	1.00000





Component list [ TAV. 09 2.3 LIFTING BOOM ]

Pos.	Code	Description	Q.ty
1	C019201	HEXAGON FLANGE BOLT M8x16 DIN 6921	5.00000
2	C019202	HEXAGON FLANGE BOLT M8X20 DIN 6921	2.00000
3	C021502	SLOTTED AND CASTLE HEXAGON NUTS M8 DIN980	2.00000
4	C030541	COPPER WASHER 3/8" GAS	4.00000
5	C033016	VITE PER OCCHIO SINGOLO 3/8"	2.00000
6	C036833	C283230 CYLINDER SEAL KIT	1.00000
7	C037610	{{>desc}}	2.00000
8	C037632	FLAT BEARING 32X54X1,5	2.00000
9	C090030	GREASER M10X1 UNI 7663A	2.00000
10	C240208	Ø30x100 FLANGED PIN	1.00000
11	C276643	LOWER PIN	3.00000
12	C277807	BOOM STOPPER ON FRONT FRAME	2.00000
13	C277934	SPINA FLANGIATA Ĩ30 L=540 V.N.I.	1.00000
14	C283204	BOOM M1 2.2-2.3	1.00000
15	C283212	SELF LEVELING ARM	1.00000
16	C283217	TILT CILINDER PLACE	1.00000



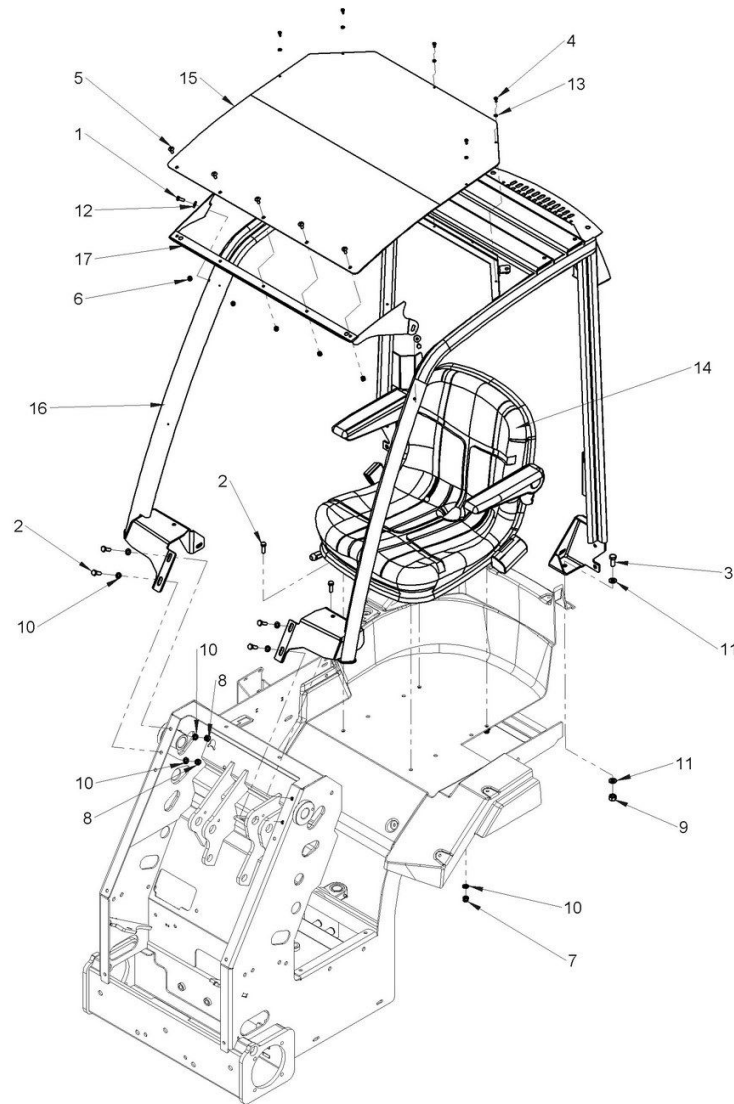
**Draft and part list report**  
**Serial n / code M331750 / C951027**  
**Description MULTIONE 2.3 27HP CERT.CE+MAN.OP**

17 C283230

CILINDRO ALZATA BRACCIO SERIE M

1.00000

---



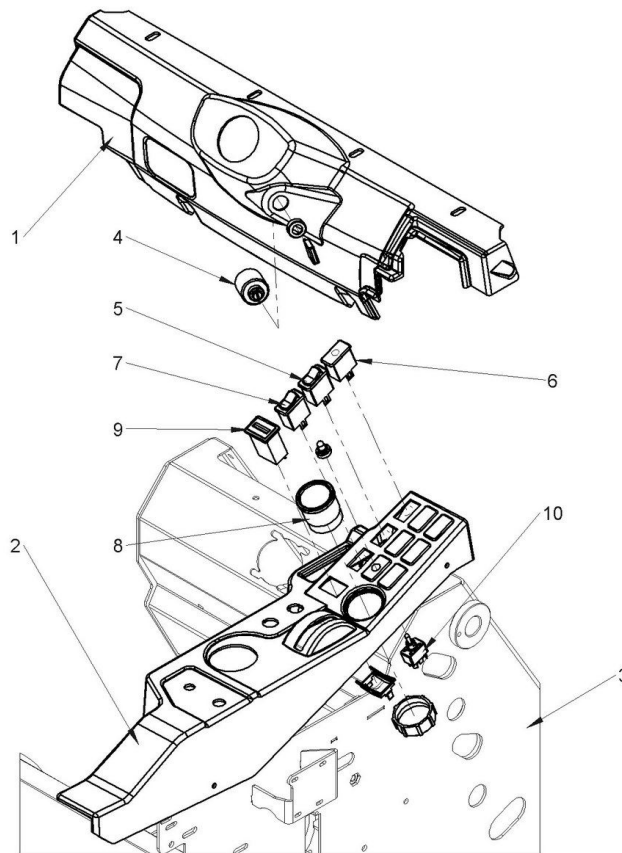
Component list [ TAV. 10 2.3 SEAT AND ROLLBAR ]

Pos.	Code	Description	Q.ty
1	C020050	HEXAGON HEAD PIPE PLUG M6X16 UNI 5739	2.00000
2	C020073	HEXAGON HEAD SCREW 8.8 M8x25 UNI EN ISO 4017	8.00000
3	C020101	HEXAGON HEAD SCREW 8.8 M10X25 UNI EN ISO 4017	2.00000
4	C020304	VITE AUTOFILETTANTE TCTC 4.2x13 DIN 7981 UNI 6954	5.00000
5	C020601	{{>desc}}	5.00000
6	C021104	PREVAILING TORQUE-TYPE HEXAGONAL NUTS WITH POLYAMIDE RING M6 UNI 7473	5.00000
7	C021502	SLOTTED AND CASTLE HEXAGON NUTS M8 DIN980	4.00000
8	C021502	SLOTTED AND CASTLE HEXAGON NUTS M8 DIN980	4.00000
9	C021503	SELF-LOCKING HEXAGONAL NUT M10 ZN DIN980	2.00000
10	C023071	PLAIN WASHER M8 8.4x16x1.6 UNI6592	12.00000
11	C023080	FLAT WASHER X M10 10.5X20X2	4.00000
12	C023110	PLAIN WASHER LARGE SERIES M6 6.5X18X1.5 DIN9021	2.00000



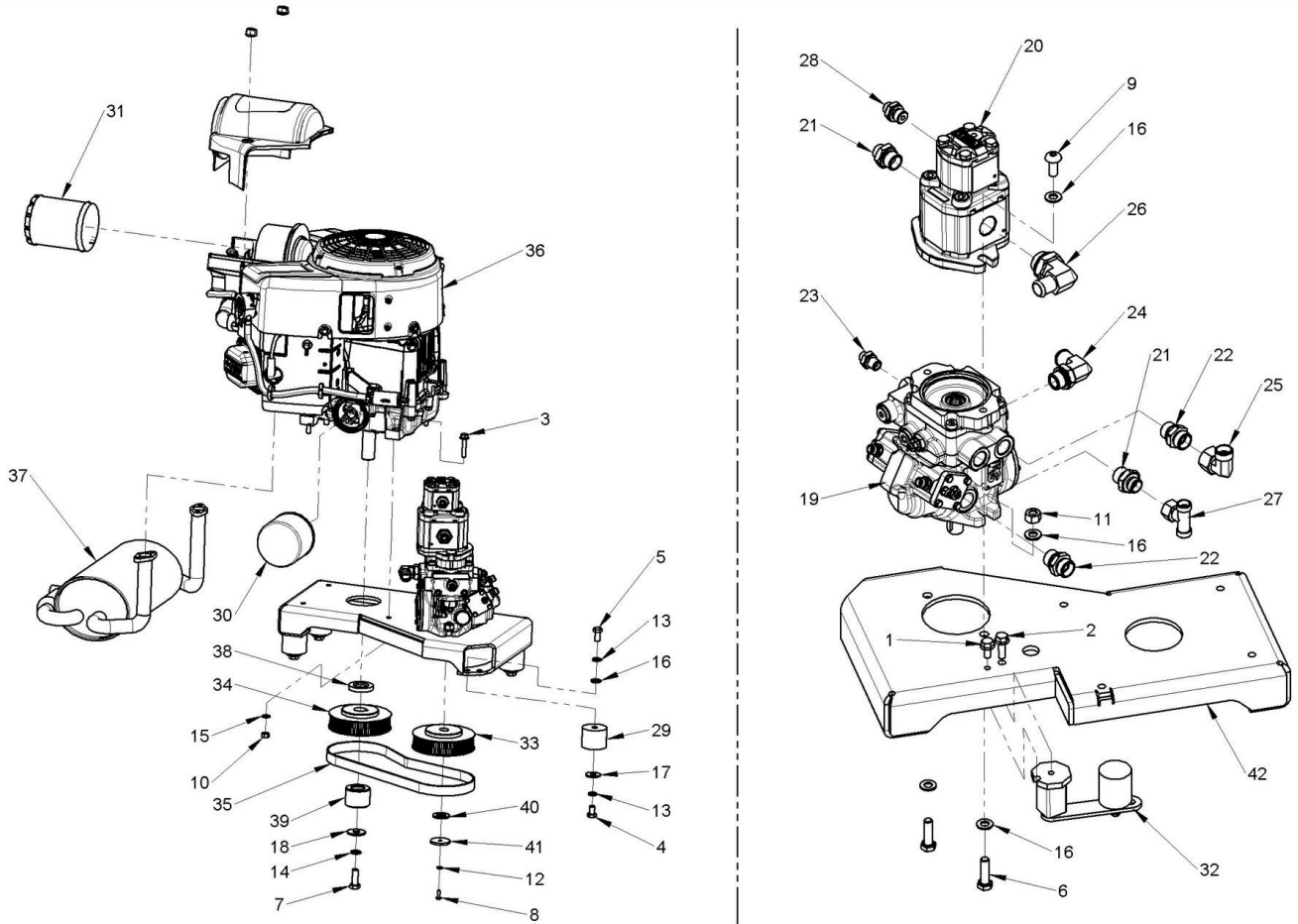
**Draft and part list report**  
**Serial n / code M331750 / C951027**  
**Description MULTIONE 2.3 27HP CERT.CE+MAN.OP**

13	C023123	M4 FLAT WASHER	5.00000
14	C036750	ERGONOMIC SEAT FOR MULTIONE 2009 BLUE	1.00000
15	C041396	MK-MZ ROOF PLEXI	1.00000
16	C277568	ROLLBAR FRAME	1.00000
17	C278292	MK-MZ PLEXYGLASS CANOPY SUPPORT	1.00000



Component list [ TAV. 11 2.3 DASHBOARD ]

Pos.	Code	Description	Q.ty
1	C041392	FRONT DASHBOARD	1.00000
2	C041393	RIGTH DASHBOARD	1.00000
3	C277910	{{>desc}}	1.00000
4	FF180/14.111.000.11	INTERRUTTORE AVVIAMENTO PER SERIE M benzina (23-K-Z)	1.00000
5	FF180/16.0702.B053	TWO ARROWS SWITCH FOR DASHBOARD	1.00000
6	FF180/16.700.004	TAPPO SERIE 700	7.00000
7	FF180/16.702.A21	HORN DASHBOARD SWITCH	1.00000
8	FF180/UNIDE 06110005	FUEL LEVEL GAUGE FOR M SERIES	1.00000
9	FF180/UNIDE 06200002	HOUR METER 24X36 12 V	1.00000
10	FF180/30.34.08956	LEVER SWITCH ON-OFF WITH RUBBER	1.00000



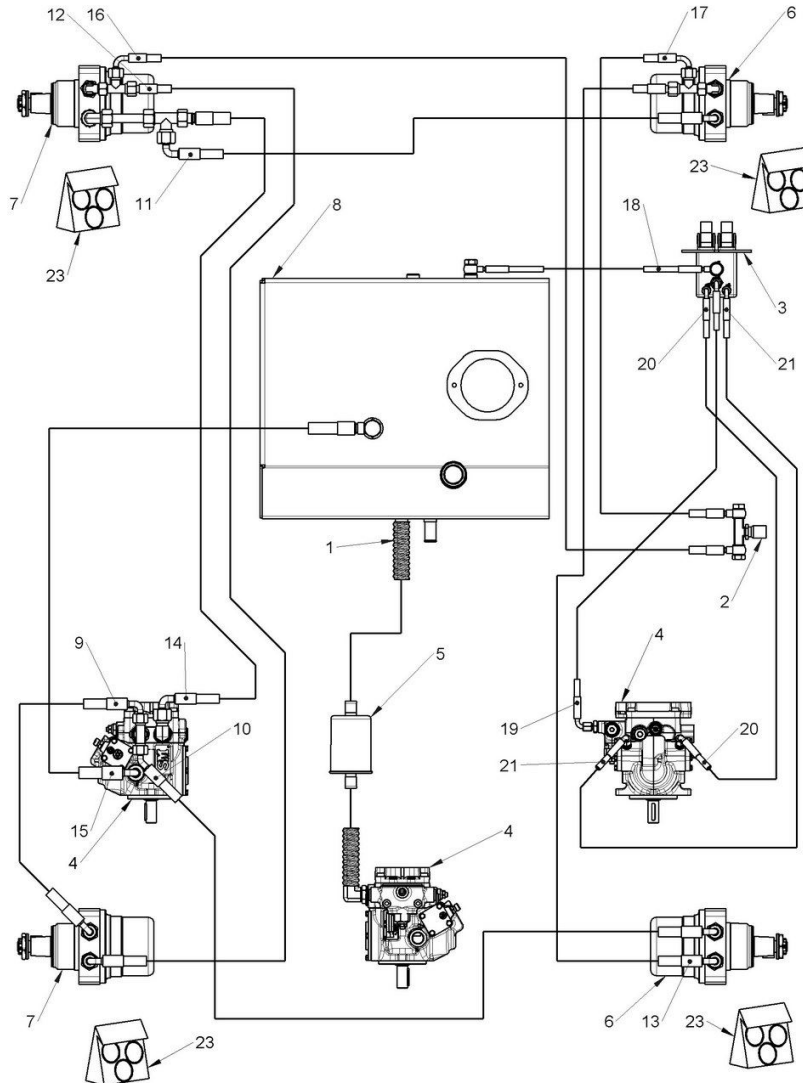
Component list [ TAV. 12 ENGINE AND PUMPS ]

Pos.	Code	Description	Q.ty
1	C019201	HEXAGON FLANGE BOLT M8x16 DIN 6921	1.00000
2	C019203	HEXAGON FLANGE BOLT M8x25 ISO 1665	1.00000
3	C019206	SCREW M8x40 ZB UNI EN ISO 1665	4.00000
4	C020100	SCREW TE 8.8 M10x20 UNI ISO 4017	4.00000
5	C020100	SCREW TE 8.8 M10x20 UNI ISO 4017	4.00000
6	C020103	HEXAGON HEAD SCREW M10x35 ISO 4017	2.00000
7	C020421	{{>desc}}	1.00000
8	C020547	HEXAGON SOCKET OVAL HEAD SCREW M5x16 ISO 7380	1.00000
9	C020550	HEXAGON SOCKET OVAL HEAD SCREW 8.8 M10x25 ISO 7380	2.00000
10	C021502	SLOTTED AND CASTLE HEXAGON NUTS M8 DIN980	4.00000
11	C021503	SELF-LOCKING HEXAGONAL NUT M10 ZN DIN980	2.00000
12	C023040	M6 NORD LOCK WASHER	1.00000
13	C023042	SELF LOCKING FLANGE NORD LOCK M10	8.00000
14	C023043	SELF LOCKING WASHER M12	1.00000
15	C023071	PLAIN WASHER M8 8.4x16x1.6 UNI6592	4.00000
16	C023080	FLAT WASHER X M10 10.5X20X2	10.00000



**Draft and part list report**  
**Serial n / code M331750 / C951027**  
**Description MULTIONE 2.3 27HP CERT.CE+MAN.OP**

17	C023104	FLAT WASHER, M10	4.00000
18	C023105	WASHER FOR M12 13x37x3 DIN9021 UNI6593	1.00000
19	C030953	MK/MZ SERIES HST PUMP	1.00000
20	C030991	11+3CC TWIN GEAR PUMP LEFT	1.00000
21	C033002	NIPPLES 1/2" G / 12L	2.00000
22	C033003	NIPPLES 1/2" G / 15L	2.00000
23	C033007	NIPPLES 1/4" GAS / 6L	1.00000
24	C033023	90° FITTING FOR SUCTION HOSE 1/2"	1.00000
25	C033025	90° FITTING F15L ORIENT. / M15L	1.00000
26	C033028	3/4" 90° SUCTION HOSE FITTING	1.00000
27	C033031	T CONNECTION M-F-M 12L	1.00000
28	C033133	NIPPLES 3/8" GAS / 8L	1.00000
29	C035055	ENGINE RUBBER MOUNT FOR M23D 50 X 40 H FEMALE THREAD M10	4.00000
30	C036634	MK ENGINE OIL FILTER ( MK)	1.00000
31	C036636	MZ AIR FILTER	1.00000
32	C037708	BELT TENSIONER	1.00000
33	C037804	PULLEY, PUMP	1.00000
34	C037805	PULLEY, ENGINE	1.00000
35	C037807	ENGINE TRANSMISSION BELT FOR M23	1.00000
36	C039200	MZ B&S PETROL ENGINE 27 HP	1.00000
37	C039201	MK-MZ MUFFLER	1.00000
38	C271619	PULLEY SPACER	1.00000
39	C271620	PULLEY SPACER	1.00000
40	C271621	FLAT WASHER M18 ISO 7089 19X34X3 PUMP PULLEY SPACER	1.00000
41	C271623	FLAT WASHER 16,5x40x4 ON PUMP PULLEY	1.00000
42	C277951	ENGINE HOLDER	1.00000



Component list [ TAV. 13 2.3 TRANSMISSION HYDRAULIC DIAGRAM ]

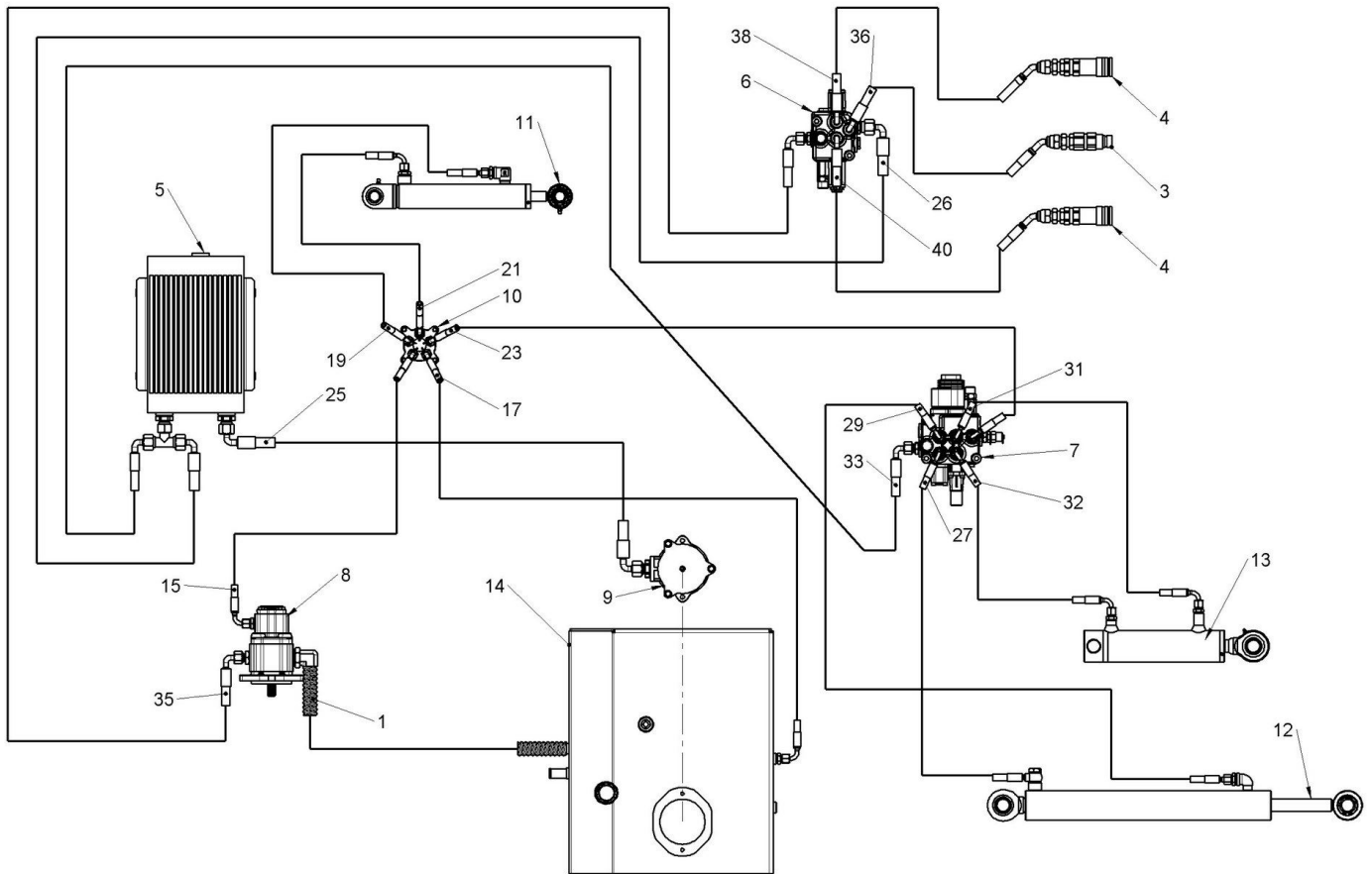
Pos.	Code	Description	Q.ty
1	C030102	OIL SUCTION PIPE ̄19x28	2.00000
2	C030563	DIFFERENTIAL VALVE	1.00000
3	C030729	TWIN PEDAL CONTROL BLOCK W/OUT PEDAL	1.00000
4	C030953	MK/MZ SERIES HST PUMP	1.00000
5	C036611	SUCTION FILTER 20 MICRON	1.00000
6	C038540	OMEW 250 RIGHT WHEEL MOTOR	2.00000
7	C038541	OMEW 250 LEFT WHEEL MOTOR	2.00000
8	C277917	{{>desc}}	1.00000
9	C810350/01	{{>desc}}	2.00000
10	C810350/02	{{>desc}}	1.00000
11	C810350/03	{{>desc}}	1.00000
12	C810350/04	{{>desc}}	1.00000





**Draft and part list report**  
**Serial n / code M331750 / C951027**  
**Description MULTIONE 2.3 27HP CERT.CE+MAN.OP**

13	C810350/05	{{>desc}}	1.00000
14	C810350/06	{{>desc}}	1.00000
15	C810350/07	{{>desc}}	1.00000
16	C810350/08	{{>desc}}	1.00000
17	C810350/09	{{>desc}}	1.00000
18	C810350/10	{{>desc}}	2.00000
19	C810350/11	{{>desc}}	2.00000
20	C810350/12	{{>desc}}	2.00000
21	C810350/13	{{>desc}}	2.00000
22	C810350/29	{{>desc}}	1.00000
23	FF139/151H1101	OMEW SEAL KIT	4.00000



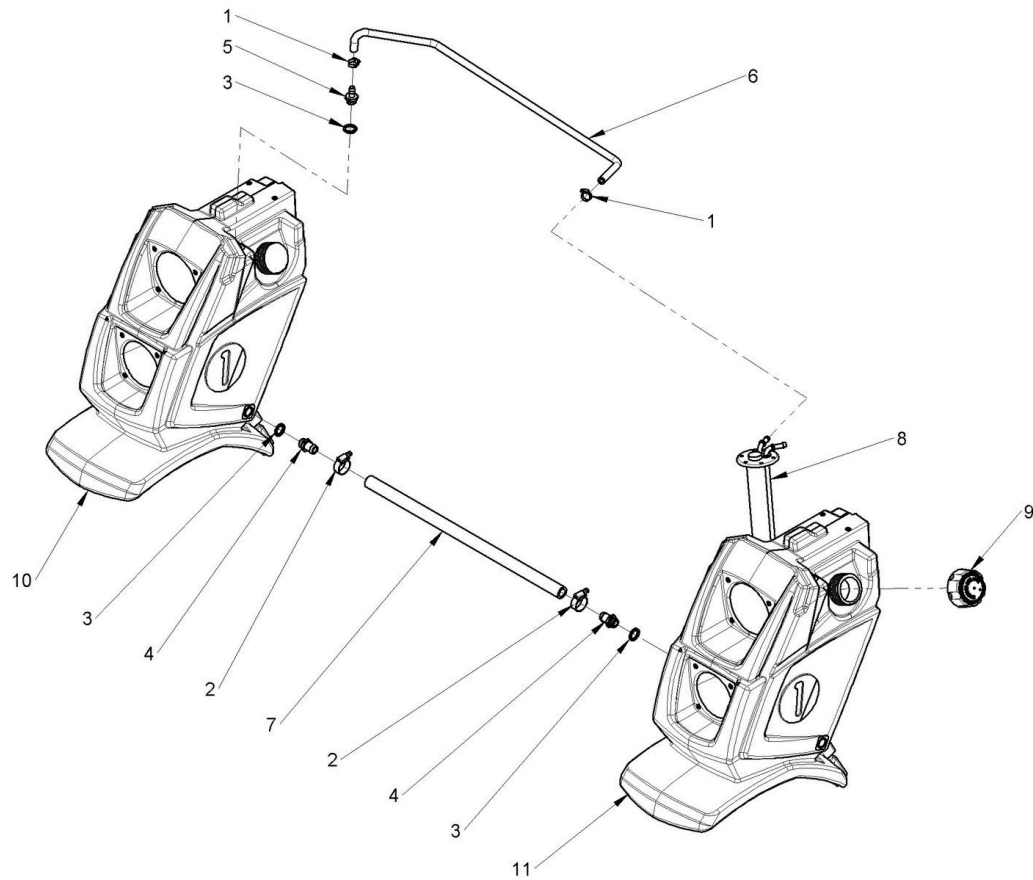
Component list [ TAV. 14 2.3 SERVICES HYDRAULIC DIAGRAM ]

Pos.	Code	Description	Q.ty
1	C030102	OIL SUCTION PIPE $\bar{\text{I}}19 \times 28$	2.00000
2	C030392	WALL SCREW W/BOLT M 1/2" - M 1/2"	3.00000
3	C030456	FLAT FACE QUICK COUPLER MALE 1/2"	1.00000
4	C030457	FLAT FACE COUPLING FEMALE 1/2"	2.00000
5	C030587	OIL COOLER FOR MULTIONE S 600 SERIES	1.00000
6	C030751	M SERIES HYDRAULIC DISTRIBUTOR 1 SECT	1.00000
7	C030752	M SERIES HYDRAULIC DISTRIBUTOR	1.00000
8	C030991	11+3CC TWIN GEAR PUMP LEFT	1.00000
9	C036600	RETURN FILTER ASSY FOR S/SL SERIES	1.00000
10	C038520	STEERING UNIT FOR M SERIES	1.00000
11	C220223	STEERING CYLINDER FOR MK - MZ	1.00000
12	C271576	CILINDRO ALZATA BRACCIO SERIE M	1.00000
13	C271580	CILINDRO ROTAZIONE PIASTRA SERIE M	1.00000
14	C277917	{{>desc}}	1.00000
15	C810350/14	{{>desc}}	1.00000
16	C810350/14	{{>desc}}	1.00000



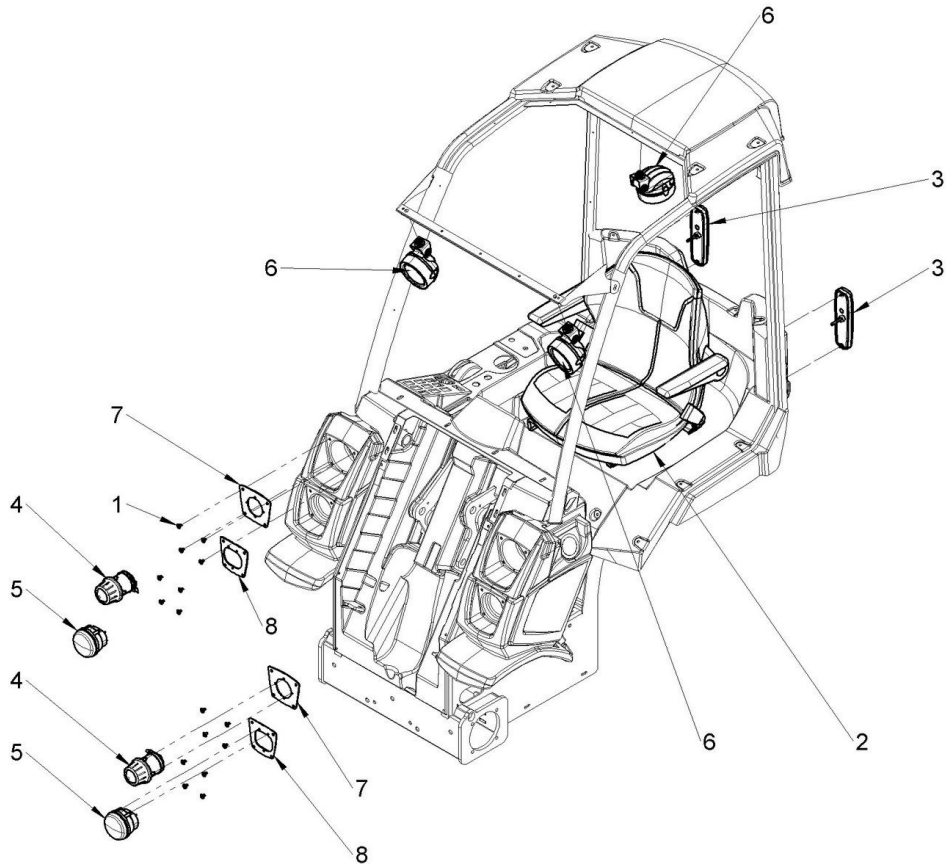
**Draft and part list report**  
**Serial n / code M331750 / C951027**  
**Description MULTIONE 2.3 27HP CERT.CE+MAN.OP**

17	C810350/15	{{>desc}}	1.00000
18	C810350/15	{{>desc}}	1.00000
19	C810350/16	{{>desc}}	1.00000
20	C810350/16	{{>desc}}	1.00000
21	C810350/17	{{>desc}}	1.00000
22	C810350/17	{{>desc}}	1.00000
23	C810350/18	{{>desc}}	1.00000
24	C810350/18	{{>desc}}	1.00000
25	C810350/19	{{>desc}}	2.00000
26	C810350/20	{{>desc}}	2.00000
27	C810350/21	{{>desc}}	1.00000
28	C810350/21	{{>desc}}	1.00000
29	C810350/22	{{>desc}}	1.00000
30	C810350/22	{{>desc}}	1.00000
31	C810350/23	{{>desc}}	2.00000
32	C810350/24	{{>desc}}	2.00000
33	C810350/25	{{>desc}}	1.00000
34	C810350/25	{{>desc}}	1.00000
35	C810350/26	{{>desc}}	2.00000
36	C810350/27	{{>desc}}	1.00000
37	C810350/27	{{>desc}}	1.00000
38	C810350/28	{{>desc}}	1.00000
39	C810350/28	{{>desc}}	1.00000
40	C810350/30	{{>desc}}	1.00000
41	C810350/30	{{>desc}}	1.00000



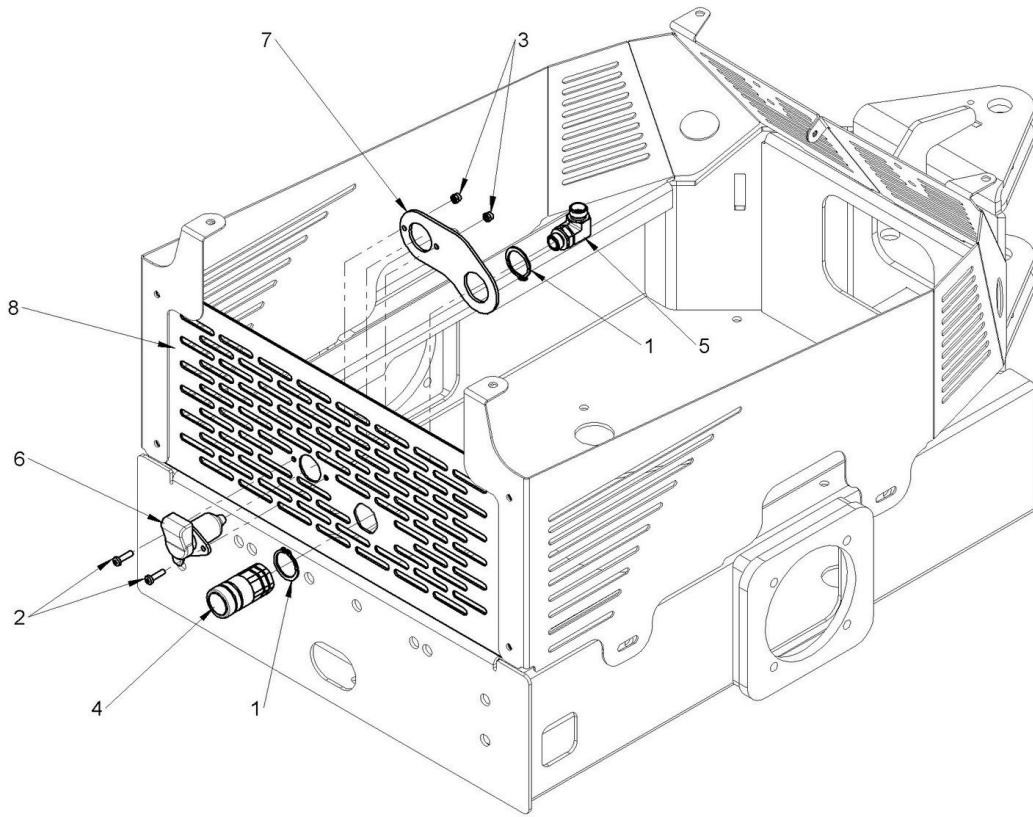
Component list [ TAV. 15 PLASTIC PETROL TANK ]

Pos.	Code	Description	Q.ty
1	C029038	STEEL BAND 10-16	2.00000
2	C029046	STEEL BELT 20/32 MM	2.00000
3	C030547	BONDED WASHER 3/8"" GAS	3.00000
4	C033306	STRAIGHT FITTING DIA. 10 MM - 3/8""	2.00000
5	C034006	STRAIGHT FITTING DIA. 10 MM - 3/8"	1.00000
6	C035003	FUEL PIPE 7X13	1.00000
7	C035167	FUEL PIPE 7X13	1.00000
8	C038756	FUEL LEVEL SENSOR FOR MK-MZ	1.00000
9	C038775	FUEL CUP, RATCHED 2,25,UNLEADED 5211,OPEN VENT,TETHERED,CARB	1.00000
10	C041582	16 LT FUEL TANK, RIGHT	1.00000
11	C041583	LEFT TANK FOR MK-MZ,16 LT	1.00000



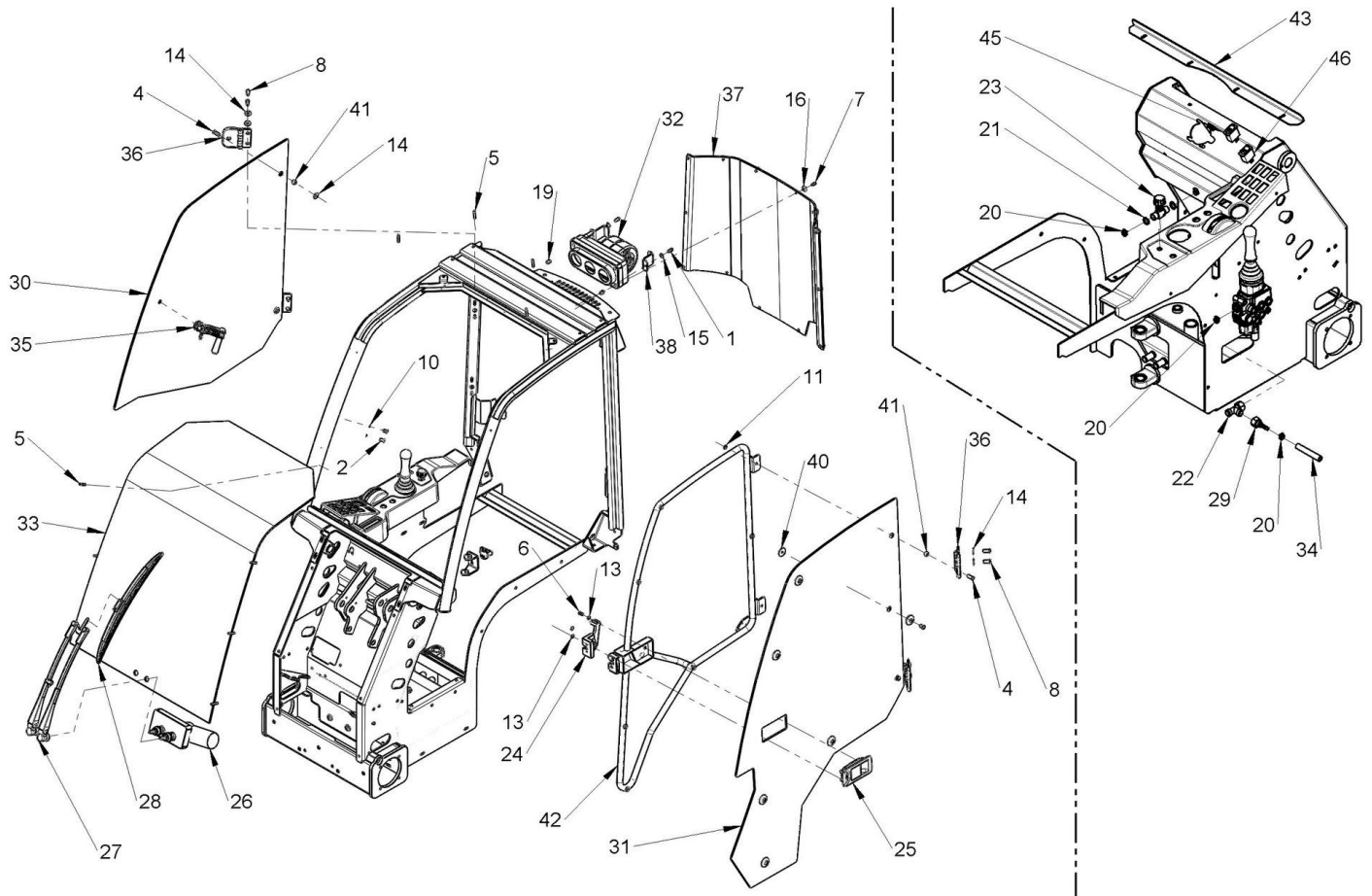
Component list [ TAV. 20 2.3 ROAD LIGHT AND HEATED SEAT (OPTIONAL) ]

Pos.	Code	Description	Q.ty
1	C020600	{{>desc}}	16.00000
2	C036770	ERGONOMIC HEATED SEAT BLUE FOR MULTIONE M SERIES - S600 SERIES	1.00000
3	C044001	3 FUNCTION REAR LED LIGHT	2.00000
4	C044002	MK-MZ FRONT LIGHT	2.00000
5	C044003	MK-MZ TURNING LIGHT LED	2.00000
6	C044004	WORKING LIGHT LED	2.00000
7	C277565	TURN SIGNAL LIGHT SUPPORT	2.00000
8	C277566	ROAD LIGHT SUPPORT	2.00000



Component list [ TAV. 21 2.3 REAR OUTLET (OPTIONAL) ]

Pos.	Code	Description	Q.ty
1	C018317	SEEGER RING i30 UNI 7435	2.00000
2	C020287	RECESSED RAISED CHEESE HEAD SCREW M5x20 UNI 7687 DIN 7985	2.00000
3	C021102	PREVAILING TORQUE - TYPE HEXAGON NUT WITH POLYAMIDE RING M5 DIN 982	2.00000
4	C030479	FLAT FACE COUPLING FEMALE 3/8"	1.00000
5	C033021	REVOLVING CONNECTION AT 90° 3/8" ORIENT./12L	1.00000
6	FF180/25.036.100	3 POLE CONNECTOR (MACHINE MOUNT)	1.00000
7	C277971	REAR OUTLET HOLDER PLATE	1.00000
8	C278266	BACK ENGINE COOLER NET	1.00000



Component list [ TAV. 22 2.3 CABIN WITH HEATING SYSTEM (OPTIONAL) ]

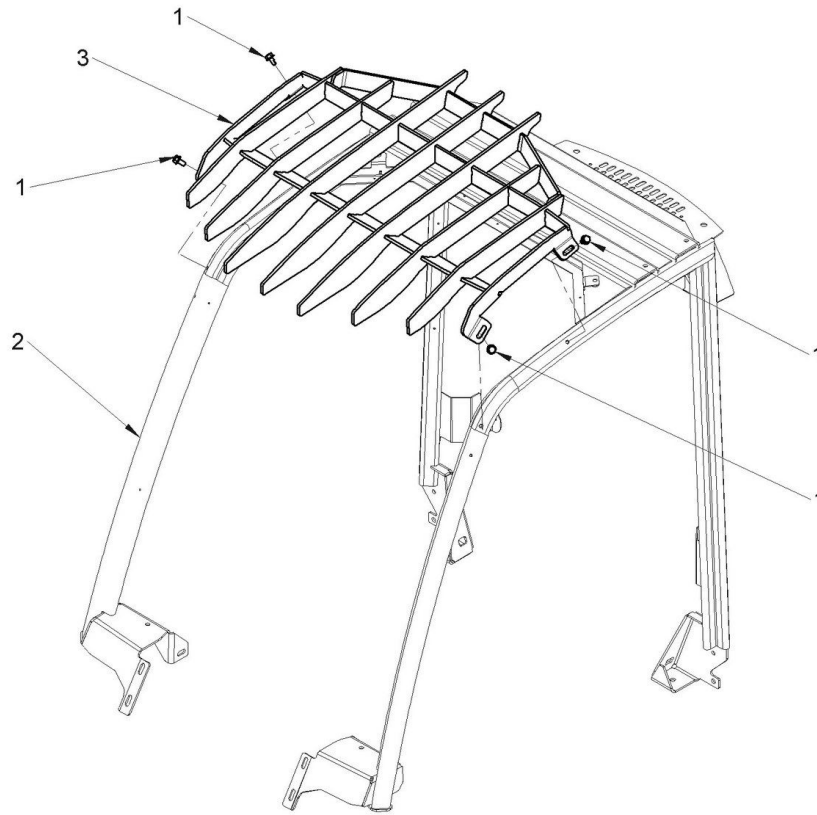
Pos.	Code	Description	Q.ty
1	C020051	ISO 4017 M6x20 SCREW	2.00000
2	C020145	HEXAGON SOCKET OVAL HEAD SCREW M6x16 ISO 7380	2.00000
3	C020155	M8X20 SCREW UNI5933	6.00000
4	C020169	HEXAGON SOCKET COUNTERSUNK HEAD CAP SCREW 10.9 M8x30 ZN UNI5933	4.00000
5	C020272	SCREW TSPEI 10.9 M4x40 ZN UNI 5933	10.00000
6	C020287	RECESSED RAISED CHEESE HEAD SCREW M5x20 UNI 7687 DIN 7985	1.00000
7	C020300	VITE AUTOFILETTANTE TC 4.8X19 DIN 7981 UNI 6954	16.00000
8	C020543	HEXAGON SOCKET OVAL HEAD SCREW M8x25 ISO 7380	8.00000
9	C020548	HEXAGON SOCKET OVAL HEAD SCREW M6x20 ZN UNI/ISO 7380	2.00000
10	C023060	WASHER FOR M6 UNI 8842 - DIN 6798A	2.00000
11	C023071	PLAIN WASHER M8 8.4x16x1.6 UNI6592	2.00000
12	C023090	FLAT WASHER M6 6.4x12x1.6 UNI 6592	2.00000
13	C023098	PLAIN WASHER LARGE SERIES M5 DIN 9021	5.00000
14	C023100	PLAIN WASHER LARGE SERIES M8 DIN 9021	10.00000
15	C023110	PLAIN WASHER LARGE SERIES M6 6.5X18X1.5 DIN9021	2.00000
16	C023300	CONIC WASHER M6	14.00000



**Draft and part list report**  
**Serial n / code M331750 / C951027**  
**Description MULTIONE 2.3 27HP CERT.CE+MAN.OP**

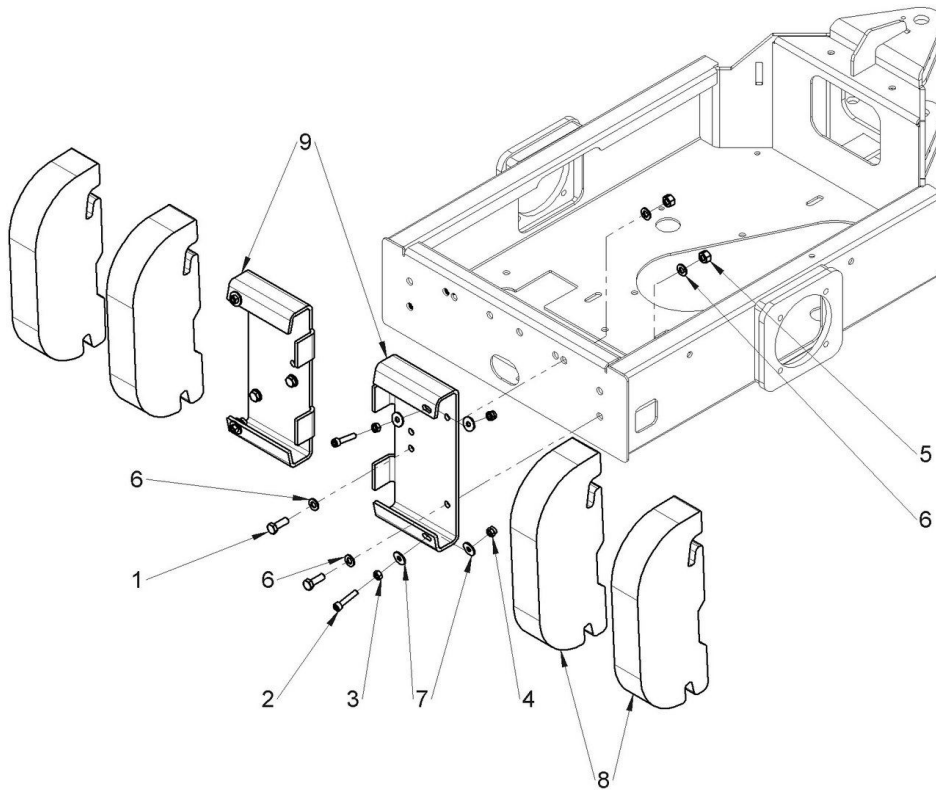
17	C028016	PLASTIC HANDLE 197X50	1.00000
18	C028270	THREAD INSERT M8	8.00000
19	C028271	THREAD INSERT M6	2.00000
20	C029038	STEEL BAND 10-16	4.00000
21	C030547	BONDED WASHER 3/8"" GAS	2.00000
22	C033035	T FITTING F-M-M 15L	1.00000
23	C034005	METAL FAUCET FOR CAB HEATING	1.00000
24	C034024	INNER LEFT LOCK FOR DOOR CABIN	1.00000
25	C034026	OUTER BUILT-IN HANDLE FOR CABIN	1.00000
26	C034022	WINDSCREEN WIPER ENGINE ITG 12V 90° FOR CABIN	1.00000
27	C034080	{{>desc}}	1.00000
28	C034029	WIPER BRUSH FOR CABIN 500->900	1.00000
29	C034107	RACCORDO A PRESSARE DRITTO F15L TUBO 3/8"" (İ10)	1.00000
30	C034167	VETRO DX CABINA SERIE MK-MZ	1.00000
31	C034168	VETRO PORTA CABINA SERIE MK-MZ	1.00000
32	C034177	HEATING BOX FOR M1 2	1.00000
33	C034178	FRONT GLASS MK-MZ CABIN	1.00000
34	C035034	HOT WATER RUBBER HOSE 10X17	1.00000
35	C035041	JERKY COMPASS OPENING FOR CABIN	1.00000
36	C035096	HINGE FOR S500-S600 CABIN	4.00000
37	C041402	REAR GLASS FOR MK-MZ CABIN	1.00000
38	C272052	"Z" SHAPED HOLDER FOR HEATING UNIT	2.00000
39	C034070	PLASTIC STUD FOR GLASS CABIN	6.00000
40	C034072	RUBBER WASHER FOR GLASS CABIN	6.00000
41	C274260	CROSSING SPACER FOR CABIN GLASSES	4.00000
42	C277569	{{>desc}}	1.00000
43	C278258	WINDSCREEN SUPPORT M1 2	1.00000
44	C281019	HEATER HOSE COVER	1.00000
45	FF180/16.0702.B053	TWO ARROWS SWITCH FOR DASHBOARD	1.00000
46	FF180/16.702.A79	{{>desc}}	1.00000





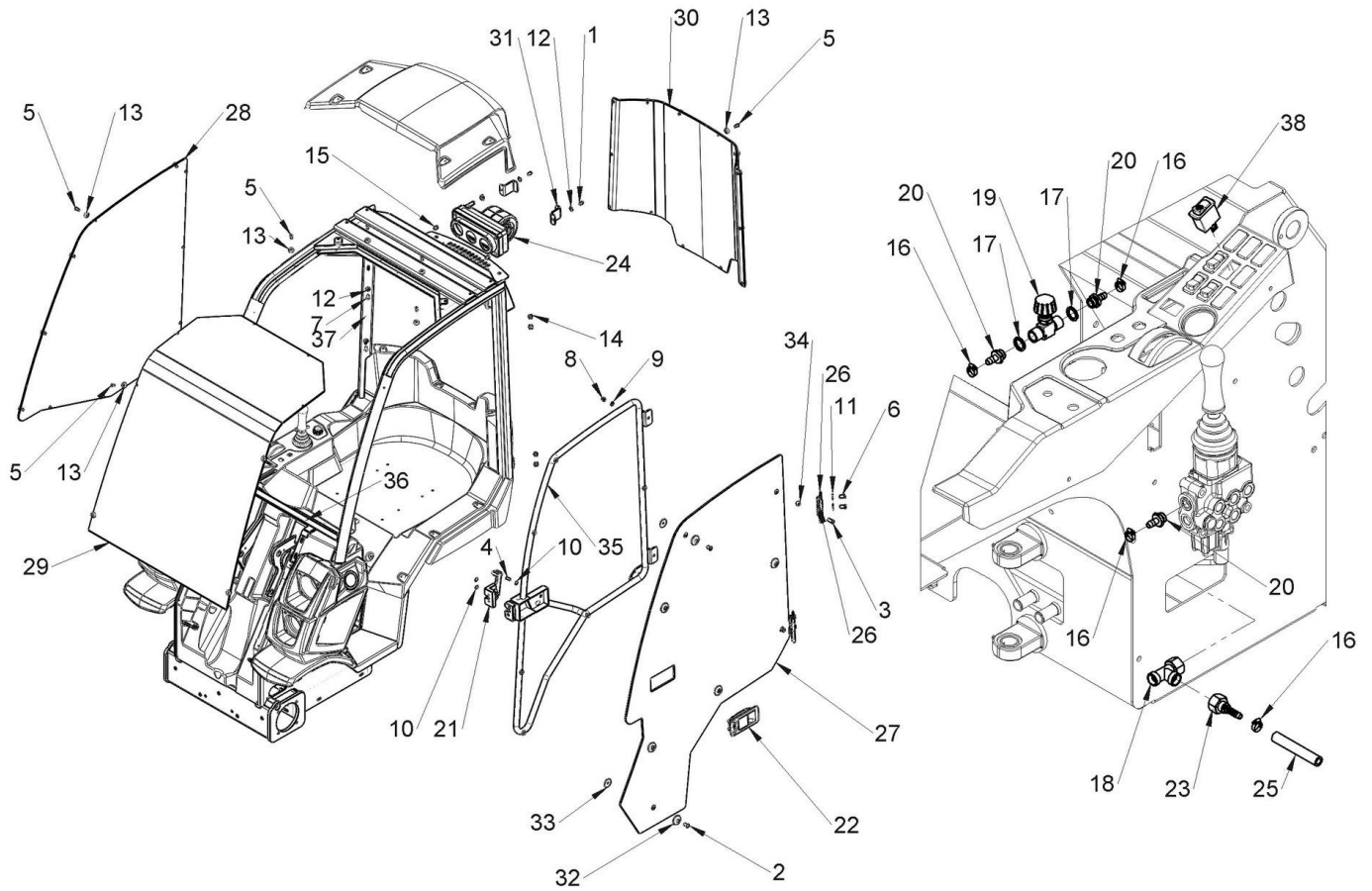
Component list [ TAV. 23 2.3 FOPS FRAME ]

Pos.	Code	Description	Q.ty
1	C019201	HEXAGON FLANGE BOLT M8x16 DIN 6921	4.00000
2	C277568	ROLLBAR FRAME	1.00000
3	C278272	FOPS PROTECTION FRAME	1.00000



Component list [ TAV. 24 2.3 REAR BACKWEIGHT ]

Pos.	Code	Description	Q.ty
1	C020102	HEXAGON HEAD SCREW M10x30 UNI 5739	4.00000
2	C020217	VITE TCCEI M8X40 ZN DIN 912	2.00000
3	C021010	NUT E 6S M8 UNI 5588	4.00000
4	C021502	SLOTTED AND CASTLE HEXAGON NUTS M8 DIN980	4.00000
5	C021503	SELF-LOCKING HEXAGONAL NUT M10 ZN DIN980	4.00000
6	C023080	FLAT WASHER X M10 10.5X20X2	8.00000
7	C023100	PLAIN WASHER LARGE SERIES M8 DIN 9021	8.00000
8	C230032	BACK WEIGHT 22 KG	4.00000
9	C281542	BACK WEIGHT SUPPORT FOR MK-MZ	2.00000



Component list [ TAV. 25 2.3 POLYCARBONATE CABIN WITH HEATIGN SYSTEM ]

Pos.	Code	Description	Q.ty
1	C020050	HEXAGON HEAD PIPE PLUG M6X16 UNI 5739	2.00000
2	C020155	M8X20 SCREW UNI5933	6.00000
3	C020169	HEXAGON SOCKET COUNTERSUNK HEAD CAP SCREW 10.9 M8x30 ZN UNI5933	2.00000
4	C020287	RECESSED RAISED CHEESE HEAD SCREW M5x20 UNI 7687 DIN 7985	1.00000
5	C020300	VITE AUTOFILETTANTE TC 4.8X19 DIN 7981 UNI 6954	33.00000
6	C020541	HEXAGON SOCKET OVAL HEAD SCREW M8x20 ISO 7380	4.00000
7	C020548	HEXAGON SOCKET OVAL HEAD SCREW M6x20 ZN UNI/ISO 7380	2.00000
8	C021083	HEXAGON DOMED CAP NUT M8 UNI 5721	2.00000
9	C023071	PLAIN WASHER M8 8.4x16x1.6 UNI6592	2.00000
10	C023098	PLAIN WASHER LARGE SERIES M5 DIN 9021	3.00000
11	C023100	PLAIN WASHER LARGE SERIES M8 DIN 9021	4.00000
12	C023110	PLAIN WASHER LARGE SERIES M6 6.5X18X1.5 DIN9021	4.00000
13	C023300	CONIC WASHER M6	33.00000
14	C028270	THREAD INSERT M8	4.00000
15	C028271	THREAD INSERT M6	2.00000
16	C029038	STEEL BAND 10-16	6.00000



**Draft and part list report**  
**Serial n / code M331750 / C951027**  
**Description MULTIONE 2.3 27HP CERT.CE+MAN.OP**

17	C030547	BONDED WASHER 3/8"" GAS	2.00000
18	C033035	T FITTING F-M-M 15L	1.00000
19	C034005	METAL FAUCET FOR CAB HEATING	1.00000
20	C034006	STRAIGHT FITTING DIA. 10 MM - 3/8"	3.00000
21	C034024	INNER LEFT LOCK FOR DOOR CABIN	1.00000
22	C034026	OUTER BUILT-IN HANDLE FOR CABIN	1.00000
23	C034107	RACCORDO A PRESSARE DRITTO F15L TUBO 3/8"" (í10)	1.00000
24	C034177	HEATING BOX FOR M1 2	1.00000
25	C035034	HOT WATER RUBBER HOSE 10X17	1.00000
26	C035096	HINGE FOR S500-S600 CABIN	2.00000
27	C041398	POLYCARBONATE DOOR SCREEN 2 SERIES	1.00000
28	C041399	POLYCARBONATE RIGHT SCREEN 2 SERIES	1.00000
29	C041400	POLYCARBONATE WINDSCREEN 2 SERIES	1.00000
30	C041402	REAR GLASS FOR MK-MZ CABIN	1.00000
31	C272052	"Z" SHAPED HOLDER FOR HEATING UNIT	2.00000
32	C034070	PLASTIC STUD FOR GLASS CABIN	6.00000
33	C034072	RUBBER WASHER FOR GLASS CABIN	6.00000
34	C274260	CROSSING SPACER FOR CABIN GLASSES	2.00000
35	C277569	{{>desc}}	1.00000
36	C278258	WINDSCREEN SUPPORT M1 2	1.00000
37	C281019	HEATER HOSE COVER	1.00000
38	FF180/16.0702.B053	TWO ARROWS SWITCH FOR DASHBOARD	1.00000

TASTI ED INTERRUTTORI / BUTTON AND SWITCHES

TAV. 60



Component list [ TAV. 60 SWITCHES ]

Pos.	Code	Description	Q.ty
1	C036153	HORN SWITCH	1.00000
2	C036154	WORK LIGHT SWITCH	1.00000
3	C036155	FRONT ELECTRIC PLUG SWITCH	1.00000
4	C036156	HAND BRAKE SWITCH	1.00000
5	C036157	DIFFERENTIAL LOCK SWITCH	1.00000
6	C036158	SLOW/FAST GEAR SWITCH	1.00000
7	C036159	ADDITIONAL WORK LIGHT SWITCH	1.00000
8	C036160	SWITCH FAN	1.00000
9	C036161	WINDSCREEN WASHER SWITCH	1.00000
10	C036162	FLASHING BEACON SWITCH	1.00000
11	C036163	HEATED SEAT SWITCH	1.00000
12	C036164	FLOATING BOOM SWITCH	1.00000
13	C036165	REAR OUTLET SWITCH	1.00000
14	C036166	ROAD LIGHT SWITCH	1.00000
15	C036167	AUTOMATIC LOCKING COUPLING PLATE SWITCH	1.00000



**Draft and part list report**  
**Serial n / code M331750 / C951027**  
**Description MULTIONE 2.3 27HP CERT.CE+MAN.OP**

16	C036168	HAZARD LIGHTS SWITCH	1.00000
17	C036169	BLINKER LIGHT SWITCH	1.00000
18	FF180/17.153.000	HORN BUTTON	1.00000
19	FF180/106616	HAZARD LIGHT BUTTON	1.00000
20	C036170	BEACON LIGHT BUTTON	1.00000
21	FF180/30.34.08956	LEVER SWITCH ON-OFF WITH RUBBER	1.00000
22	FF180/30.34.10306	LEVER SWITCH ON-OFF-ON WITH RUBBER	1.00000
23	C036171	TORQUE DIVIDER SWITCH	1.00000
24	C036172	ROADLIGHT AND TURN SIGNAL INDICATOR	1.00000

CODE	DESCRIZIONE	DESCRIPTION	NOTE
C042200	DECALCOMANIA GENERALE MACCHINE	GENERAL DECALS FOR MULTIONE	USED ON ALL MACHINES
C042202	DECALCOMANIA GENERALE PITTOGRAMMI MACCHINE	GENERAL SAFETY DECALS FOR MULTIONE	USED ON ALL MACHINES
C042111	DECAL LWA 98 DB	DECAL LWA 98 DB	USED ON: 4.2, 5.2, 6.3 SERIES, 7.2 7.3 SERIES, 6.3SD, 7.3SD, 8.4SD
C042110	DECAL LWA 99 DB	DECAL LWA 99 DB	USED ON: 5.3, 8.4 SERIES
C042109	DECAL LWA 100 DB	DECAL LWA 100 DB	USED ON: 1.1, 2.3, 9.5, 9.6, 10.9, 9.5SD
C042112	DECAL LWA 101 DB	DECAL LWA 101 DB	USED ON: 10.8
C042114	DECAL LPA 82 DB	DECAL LPA 82 DB	USED ON: 7.3 SERIES, 7.3SD
C042116	DECAL LPA 84 DB	DECAL LPA 84 DB	USED ON: 7.2, 6.3 SERIES, 6.3SD
C042117	DECAL LPA 85 DB	DECAL LPA 85 DB	USED ON: 1.1, 2.3, 4.2, 5.2, 8.4 SERIES, 10.8, 10.9, 8.4SD
C042102	DECAL LPA 86 DB	DECAL LPA 86 DB	USED ON: 9.5, 9.6, 9.5SD
C042100	DECAL LPA 87 DB	DECAL LPA 87 DB	USED ON: 5.3
C042437	DIAGRAMMA DI CARICO SERIE 2	M1 2 SERIES LOAD DIAGRAM	
C042443	DIAGRAMMA DI CARICO SERIE 4 - 5	M1 4 - 5 SERIES LOAD DIAGRAM	
C042429	DIAGRAMMA DI CARICO SERIE 6	M1 6 SERIES LOAD DIAGRAM	
C042430	DIAGRAMMA DI CARICO SERIE 7 - 8	M1 7 - 8 SERIES LOAD DIAGRAM	
C042431	DIAGRAMMA DI CARICO SERIE 9	M1 9 SERIES LOAD DIAGRAM	
C042432	DIAGRAMMA DI CARICO SERIE 10	M1 10 SERIES LOAD DIAGRAM	
C042440	DIAGRAMMA DI CARICO 6SD	M1 6SD LOAD DIAGRAM	
C042439	DIAGRAMMA DI CARICO 7SD - 8SD	M1 7SD - 8SD LOAD DIAGRAM	
C042438	DIAGRAMMA DI CARICO 9SD	M1 9SD LOAD DIAGRAM	
C042175	DECALCOMANIE M1 1.1	M1 1.1 DECAL	
C042436	DECALCOMANIE M1 2.3	M1 2.3 DECAL	
C042190	DECALCOMANIE M1 4.2	M1 4.2 DECAL	
C042189	DECALCOMANIE M1 5.2	M1 5.2 DECAL	
C042188	DECALCOMANIE M1 5.3	M1 5.3 DECAL	
C042412	DECALCOMANIE M1 6.3	M1 6.3 DECAL	
C042434	DECALCOMANIE M1 6.3+	M1 6.3+ DECAL	
C042413	DECALCOMANIE M1 6.3S	M1 6.3S DECAL	
C042433	DECALCOMANIE M1 7.2	M1 7.2 DECAL	
C042414	DECALCOMANIE M1 7.3	M1 7.3 DECAL	
C042415	DECALCOMANIE M1 7.3+	M1 7.3+ DECAL	
C042416	DECALCOMANIE M1 7.3S	M1 7.3S DECAL	
C042417	DECALCOMANIE M1 8.4	M1 8.4 DECAL	
C042427	DECALCOMANIE M1 8.4+	M1 8.4+ DECAL	
C042418	DECALCOMANIE M1 8.4S	M1 8.4S DECAL	
C042420	DECALCOMANIE M1 8.5	M1 8.5 DECAL	
C042442	DECALCOMANIE M1 8.5S	M1 8.5S DECAL	
C042421	DECALCOMANIE M1 9.5	M1 9.5 DECAL	
C042424	DECALCOMANIE M1 9.6	M1 9.6 DECAL	
C042425	DECALCOMANIE M1 10.8	M1 10.8 DECAL	
C042426	DECALCOMANIE M1 10.9	M1 10.9 DECAL	
C042422	DECALCOMANIE M1 SD 6.3	M1 SD 6.3 DECAL	
C042419	DECALCOMANIE M1 SD 7.3	M1 SD 7.3 DECAL	
C042423	DECALCOMANIE M1 SD 8.4	M1 SD 8.4 DECAL	
C042428	DECALCOMANIE M1 SD 9.5	M1 SD 9.5 DECAL	

Component list [ TAV. 95 DECALS ]

Pos.	Code	Description	Q.ty
1	C042200	GENERAL SAFETY DECALS FOR MULTIONE	1.00000
2	C042202	S/SL/GT SAFETY DECALS FOR MULTIONE	1.00000
3	C042111	DECALCOMANIA DECIBEL LWA 98 DB	1.00000
4	C042110	DECALCOMANIA DECIBEL LWA 99 DB	1.00000
5	C042109	DECALCOMANIA DECIBEL LWA 100 DB	1.00000
6	C042112	LWA 101 DB LABEL	1.00000
7	C042114	DECALCOMANIA DECIBEL LPA 82 DB	1.00000
8	C042116	LPA 84 DB LABEL	1.00000
9	C042117	LPA 85 DB LABEL	1.00000
10	C042102	DECALCOMANIA DECIBEL LPA 86 DB	1.00000
11	C042100	DECALCOMANIA DECIBEL LPA 87 DB	1.00000
12	C042437	M1 2 SERIES LOAD DIAGRAM DECAL	1.00000
13	C042443	M1 4-5 SERIES LOAD DIAGRAM DECAL	1.00000
14	C042429	{{>desc}}	1.00000
15	C042430	{{>desc}}	1.00000
16	C042431	{{>desc}}	1.00000



**Draft and part list report**  
**Serial n / code M331750 / C951027**  
**Description MULTIONE 2.3 27HP CERT.CE+MAN.OP**

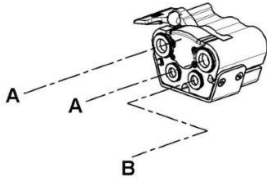
17	C042432	{{>desc}}	1.00000
18	C042440	M1 6SD SERIES LOAD DIAGRAM DECAL	1.00000
19	C042439	M1 7SD-8SD SERIES LOAD DIAGRAM DECAL	1.00000
20	C042438	SD 9 LOAD DIAGRAM DECAL	1.00000
21	C042175	M1 1.1 DECAL	1.00000
22	C042436	{{>desc}}	1.00000
23	C042190	{{>desc}}	1.00000
24	C042189	{{>desc}}	1.00000
25	C042188	{{>desc}}	1.00000
26	C042412	KIT DECALS FOR M1 6.3	1.00000
27	C042434	KIT DECALS FOR M1 6.3S	1.00000
28	C042413	KIT DECALS FOR M1 6.3S	1.00000
29	C042433	KIT DECALS FOR M1 7.3	1.00000
30	C042414	KIT DECALS FOR M1 7.3	1.00000
31	C042415	KIT DECALS FOR M1 7.3+	1.00000
32	C042416	KIT DECALS FOR M1 7.3S	1.00000
33	C042417	KIT DECALS FOR M1 8.4	1.00000
34	C042427	KIT DECALS FOR M1 8.4	1.00000
35	C042418	KIT DECALS FOR M1 8.4S	1.00000
36	C042420	{{>desc}}	1.00000
37	C042442	8.5S KIT DECALS	1.00000
38	C042421	DECALS KIT FOR M1 9.5	1.00000
39	C042424	{{>desc}}	1.00000
40	C042425	{{>desc}}	1.00000
41	C042426	{{>desc}}	1.00000
42	C042422	{{>desc}}	1.00000
43	C042419	{{>desc}}	1.00000
44	C042423	{{>desc}}	1.00000
45	C042428	SD 9.5 DECALS	1.00000



**INSERTI WEO / WEO FITTINGS**

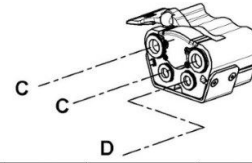
**Tav. 96**

**MACHINE MULTICONNECTOR  
 MULTIONE 9-10 SERIES**



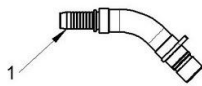
HOSE TYPE	WORK PRES BAR	HOSE DIAMETER	LENGHT RUBBER HOSE	1st FITTING DIN 2353	2nd FITTING WEO
<b>"A" PORTS HOSES</b>					
2SC	250	5/8"	1030	MALE STRAIGHT 18L (M30x2)	POS. 1
<b>"B" PORT HOSE</b>					
PILOT	100	3/8"	1150	MALE STRAIGHT 12L (M18x1,5)	POS. 3

**MACHINE MULTICONNECTOR  
 MULTIONE 2-4-5-6-7-8 SERIES**



HOSE TYPE	WORK PRES BAR	HOSE DIAMETER	LENGHT RUBBER HOSE	1st FITTING DIN 2353	2nd FITTING WEO
<b>2 SERIES</b>					
<b>"C" PORTS HOSES</b>					
1SC	160	1/2"	730	FEMALE 90° 12L (M18x1,5)	POS. 2
1SC	160	1/2"	690	FEMALE STRAIGHT 12L (M18x1,5)	POS. 2
<b>"D" PORT HOSE</b>					
PILOT	100	3/8"	710	FEMALE 90° 12L (M18x1,5)	POS. 3
<b>4-5 SERIES</b>					
<b>"C" PORTS HOSES</b>					
1SC	160	1/2"	730	MALE STRAIGHT 15L (M22x1,5)	POS. 2
1SC	160	1/2"	780	MALE STRAIGHT 15L (M22x1,5)	POS. 2
<b>"D" PORT HOSE</b>					
PILOT	100	3/8"	790	MALE STRAIGHT 12L (M18x1,5)	POS. 3
<b>6-7-8 SERIES</b>					
<b>"C" PORTS HOSES</b>					
1SC	160	1/2"	970	MALE STRAIGHT 15L (M22x1,5)	POS. 2
<b>"D" PORT HOSE</b>					
PILOT	100	3/8"	1060	MALE STRAIGHT 12L (M18x1,5)	POS. 3

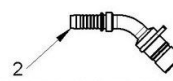
**A** 45° FITTING WEO SIZE 3/4"  
 FOR 5/8" HOSE



**B** 45° FITTING WEO SIZE 1/2"  
 FOR 3/8" HOSE



**C** 45° FITTING WEO SIZE 3/4"  
 FOR 1/2" HOSE

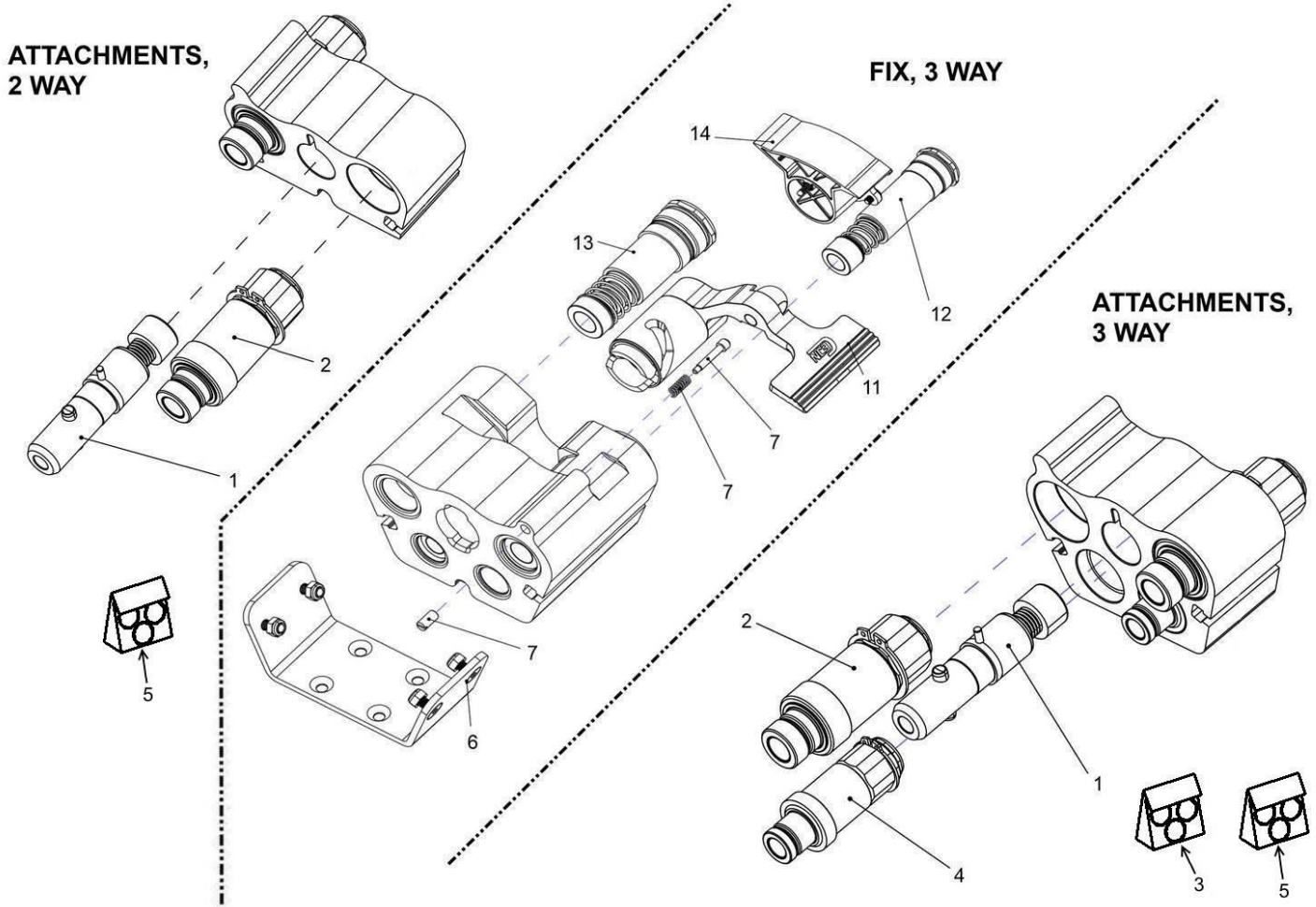


**D** 45° FITTING WEO SIZE 1/2"  
 FOR 3/8" HOSE



Component list [ TAV. 96 MACHINE MULTICONNECTOR WEO FITTINGS ]

Pos.	Code	Description	Q.ty
1	C033401	45° FITTING WEO SIZE 3/4" FOR 5/8" HOSE	1.00000
2	C033402	45° FITTING WEO SIZE 3/4" FOR 1/2" HOSE	1.00000
3	C033405	45° FITTING WEO SIZE 1/2" FOR 3/8" HOSE	1.00000
4	C033410	STRAIGHT FITTING WEO SIZE 1/2" FOR 1/2" HOSE	1.00000
5	C033411	STRAIGHT FITTING WEO SIZE 1/2" FOR 3/8" HOSE	1.00000
6	C033416	90° FITTING WEO SIZE 1/2" FOR 3/8" HOSE	1.00000
7	C033425	STRAIGHT FITTING WEO SIZE 3/8" FOR 3/8" HOSE	1.00000



Component list [ TAV. 99 HYDRAULIC MULTI COUPLING PLATE, FIX 3 WAY, ATTACHMENTS 3 WAY, ATTACHMENTS 2 WAY ]

Pos.	Code	Description	Q.ty
1	FF1187/109324972	CENTER BOLT KIT	1.00000
2	FF1187/105646905	MALE JOINY KIT DN 12,5	1.00000
3	FF1187/103654991	DN 10 SEAL KIT	1.00000
4	FF1187/103646904	MALE JOINY KIT DN 10	1.00000
5	FF1187/105654991	DN 12,5 SEAL KIT	1.00000
6	FF1187/109324975	MOUNTING BRACKET	1.00000
7	FF1187/109324992	LOCKING LEVER PIN KIT	1.00000
11	FF1187/109324970	LOCKING LEVER KIT	1.00000
12	FF1187/103651906	FEMALE JOINY KIT DN 10	1.00000
13	FF1187/105651907	FEMALE JOINY KIT DN 12,5	1.00000
14	FF1187/109324971	BACK LID KIT	1.00000