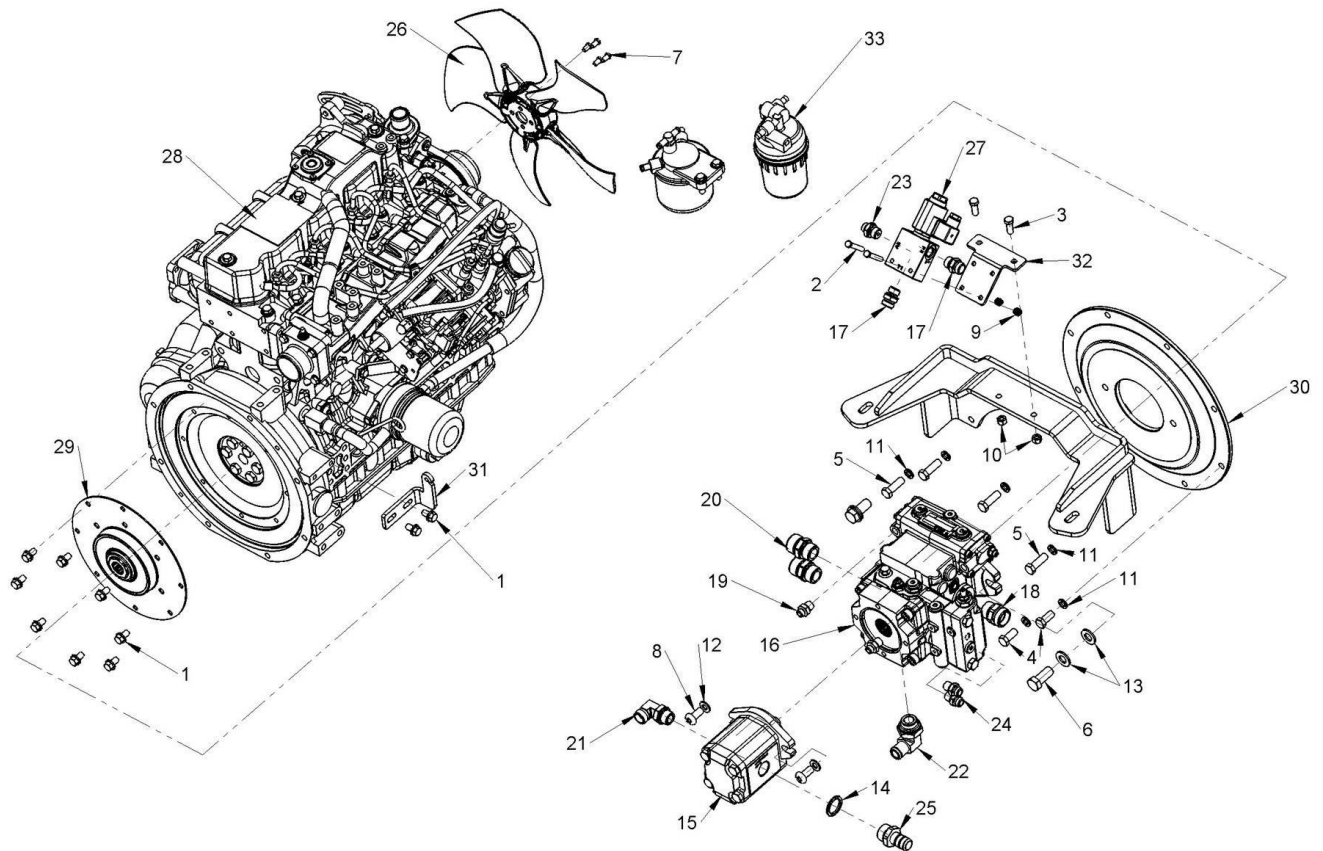


List of machine draft

N.	Draft
1	TAV. 01 ENGINE AND PUMPS
2	TAV. 02 ENGINE SUPPORTS
3	TAV. 03 ARTICULATION
4	TAV. 04 WHEEL MOTORS
5	TAV. 05 ENGINE COOLER AND FUEL TANK
6	TAV. 06 M1 9 BOOM FIXED PART
8	TAV. 08 RIGHT SIDE
9	TAV. 09 M1 SD 9.5 MUFFLER, BATTERY, AIR FILTER
10	TAV. 10 POWER STEERING AND PEDALS
11	TAV. 11 M1 6-10 COUPLING PLATE
12	TAV. 12 SD 6-7-8-9 CABIN STRUCTURE
13	TAV. 13 FRONT PLASTIC COVER
14	TAV. 14 REAR PLASTIC COVER BRACKET
15	TAV. 15 REAR PLASTIC COVER
16	TAV. 16 CABIN PLASTIC COVER
17	TAV. 18 TRANSMISSION HYDRAULIC DIAGRAM
34	TAV. 18 WORK LIGHT
18	TAV. 19 SERVICES HYDRAULIC DIAGRAM
19	TAV. 20 SD 9 FILTERS
20	TAV. 21 ELECTRIC PARTS
38	TAV. 23 ELECTRIC PARTS
21	TAV. 30 M1 9 SELF LEVELING CYLINDER
22	TAV. 32 M1 SD GLASS CABIN
23	TAV. 32 M1 SD GLASS CABIN KIT (OPTIONAL)
24	TAV. 33 M1 SD CABIN DETAILS
25	TAV. 33 M1 SD GLASS CABIN DETAILS (OPTIONAL)
26	TAV. 34 SD 7 CABIN HEATING (OPTIONAL)
27	TAV. 35 M1 9-10 AUTOMATIC COUPLING PLATE
28	TAV. 46 TOW HOOK
29	TAV. 49 M1 9-10-9SD REAR BUMPER
36	TAV. 57 WATER TEMP SENSOR
33	TAV. 59 JOYSTICK MULTI
30	TAV. 60 SWITCHES
35	TAV. 70 DIFFERENCE BETWEEN ROLL-BAR 1ST AND 2ND GENERATION
37	TAV. 95 DECALS
31	TAV. 96 MACHINE MULTICONNECTOR WEO FITTINGS
32	TAV. 99 HYDRAULIC MULTI COUPLING PLATE, FIX 3 WAY, ATTACHMENTS 3 WAY, ATTACHMENTS 2 WAY
7	TAV.. 07 TELESCOPIC BOOM MOBILE PART

SEE TAV. 57 FOR WATER TEMP SENSOR



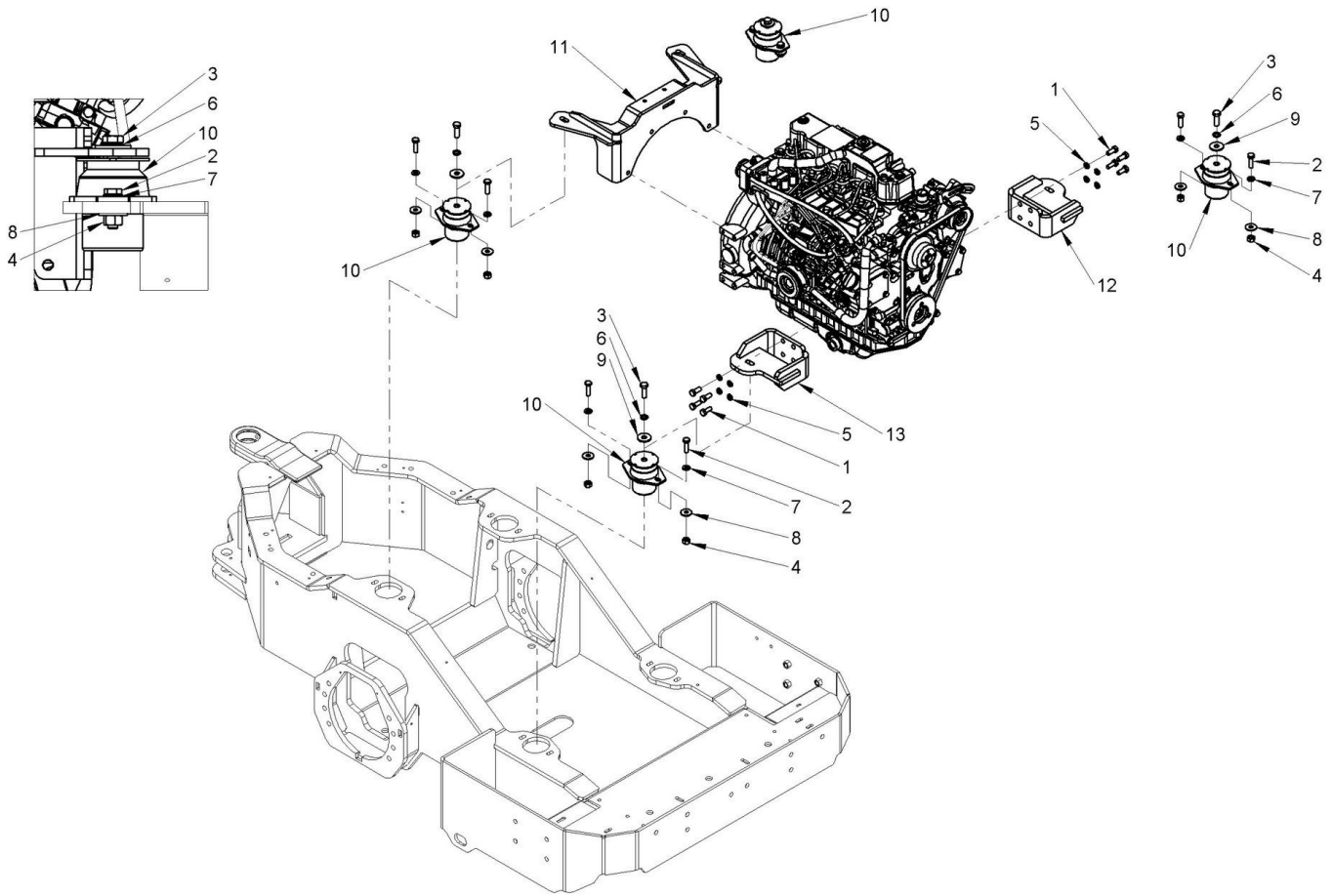
Component list [TAV. 01 ENGINE AND PUMPS]

Pos.	Code	Description	Q.ty
1	C019201	HEXAGON FLANGE BOLT M8x16 DIN 6921	10.00000
2	C020056	ISO 4017 M6x45 SCREW	2.00000
3	C020073	HEXAGON HEAD SCREW 8.8 M8x25 UNI EN ISO 4017	2.00000
4	C020101	HEXAGON HEAD SCREW 8.8 M10X25 UNI EN ISO 4017	4.00000
5	C020103	HEXAGON HEAD SCREW M10x35 ISO 4017	4.00000
6	C020298	UNI 4017 M14x35 SCREW	2.00000
7	C020542	HEXAGON SOCKET OVAL HEAD SCREW M6x12 ZN ISO 7380	4.00000
8	C020550	HEXAGON SOCKET OVAL HEAD SCREW 8.8 M10X25 ISO 7380	2.00000
9	C021104	PREVAILING TORQUE-TYPE HEXAGONAL NUTS WITH POLYAMIDE RING M6 UNI 7473	2.00000
10	C021502	SLOTTED AND CASTLE HEXAGON NUTS M8 DIN980	2.00000
11	C023042	SELF LOCKING FLANGE NORD LOCK M10	8.00000
12	C023080	FLAT WASHER X M10 10.5X20X2	2.00000
13	C023103	FLAT WASHER X M14 15X28X2.5 ZN UNI6592	4.00000
14	C030543	BONDED WASHER 3/4" GAS	1.00000
15	C030973	GEAR PUMP 16cc	1.00000
16	C030994	HYDROSTATIC PUMP 28CC - 400 BAR+PL	1.00000



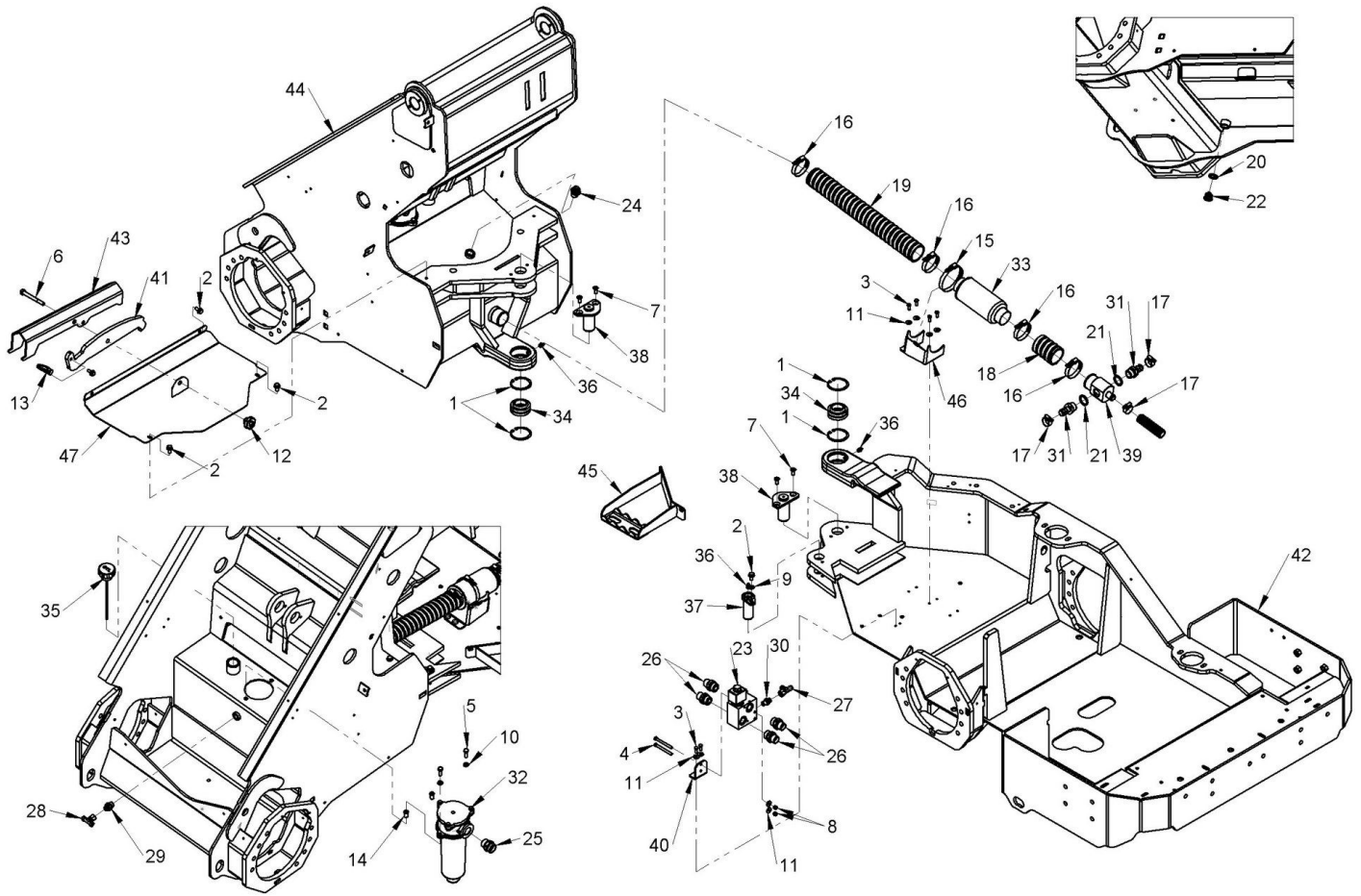
Draft and part list report
Serial n / code M331598 / C967300
Description MULTIONE SD 9.5

17	C033001	NIPPLES 3/8" G / 12L	2.00000
18	C033004	NIPPLES 3/4" G - 22L	1.00000
19	C033007	NIPPLES 1/4" GAS / 6L	2.00000
20	C033019	NIPPLES 3/4" G - 20S	2.00000
21	C033022	90° ELBOW, ADJUSTABLE MALE STUD G 1/2 - MALE 15L	1.00000
22	C033028	3/4" 90° SUCTION HOSE FITTING	1.00000
23	C033133	NIPPLES 3/8" GAS / 8L	1.00000
24	C033134	NIPPLES 1/4" GAS-8L	2.00000
25	C033300	STRAIGHT HOSE CONNECTOR 3/4" FOR 3/4" HOSE	1.00000
26	C034207	Ø380 MM FAN	1.00000
27	C036621	ELECTROVALVE 3WAY G3/8 12V DC	1.00000
28	C039031	YANMAR DIESEL ENGINE 4TNV88	1.00000
29	C039515	Z13 YANMAR ELASTIC COUPLING	1.00000
30	C039524	SAE B PUMP FLANGE FOR YANMAR	1.00000
31	C277091	SUPPORTO CAVO ACCELERATORE A MOTORE GT900	1.00000
32	C282584	3 WAY BRAKE VALVE SUPPORT	1.00000
33	FF163/129242-55700	COMPLETE WATER-FUEL SEPARATE FILTER FOR 4TNV88-DSA2/4TNV98	1.00000



Component list [TAV. 02 ENGINE SUPPORTS]

Pos.	Code	Description	Q.ty
1	C020101	VITE TE CI. 8.8 M10x25 UNI EN ISO 4017HEXAGON HEAD SCREW 8.8 M10X25 UNI EN ISO 4017	8.00000
2	C020103	VITE TE 8.8 M10x35 UNI ISO 4017HEXAGON HEAD SCREW M10x35 ISO 4017	8.00000
3	C020133	VITE TE 10.9 M12x35 UNI ISO 4017SCREW M12x35 UNI 5739 - DIN 933	4.00000
4	C021503	DADO AUTOFRENANTE M10 ZG DIN980SELF-LOCKING HEXAGONAL NUT M10 ZN DIN980	8.00000
5	C023042	RONDELLA NORD-LOCK M10SELF LOCKING FLANGE NORD LOCK M10	8.00000
6	C023043	RONDELLA NORD LOCK M12NORD LOCK WASHER M8	4.00000
7	C023080	RONDELLA PIANA M10FLAT WASHER M10	8.00000
8	C023104	RONDELLA GREMB M10FLAT WASHER M10	8.00000
9	C023105	RONDELLA GREMB M12FLAT WASHER M12	4.00000
10	C037410	ANTIVIBRANTE IDRAULICO MEDIO HS 2 40Sh PORTATA 125KG	4.00000
11	C282660	SUPPORTO ANTERIORE MOTORE 4TNV88FRONT ENGINE BRACKET M1 9.5	1.00000
12	C282849	ASSIEME SUPPORTO MOTORE DXREAR ENGINE BRACKET	1.00000
13	C282850	ASSIEME SUPPORTO MOTORE SXREAR ENGINE BRACKET	1.00000



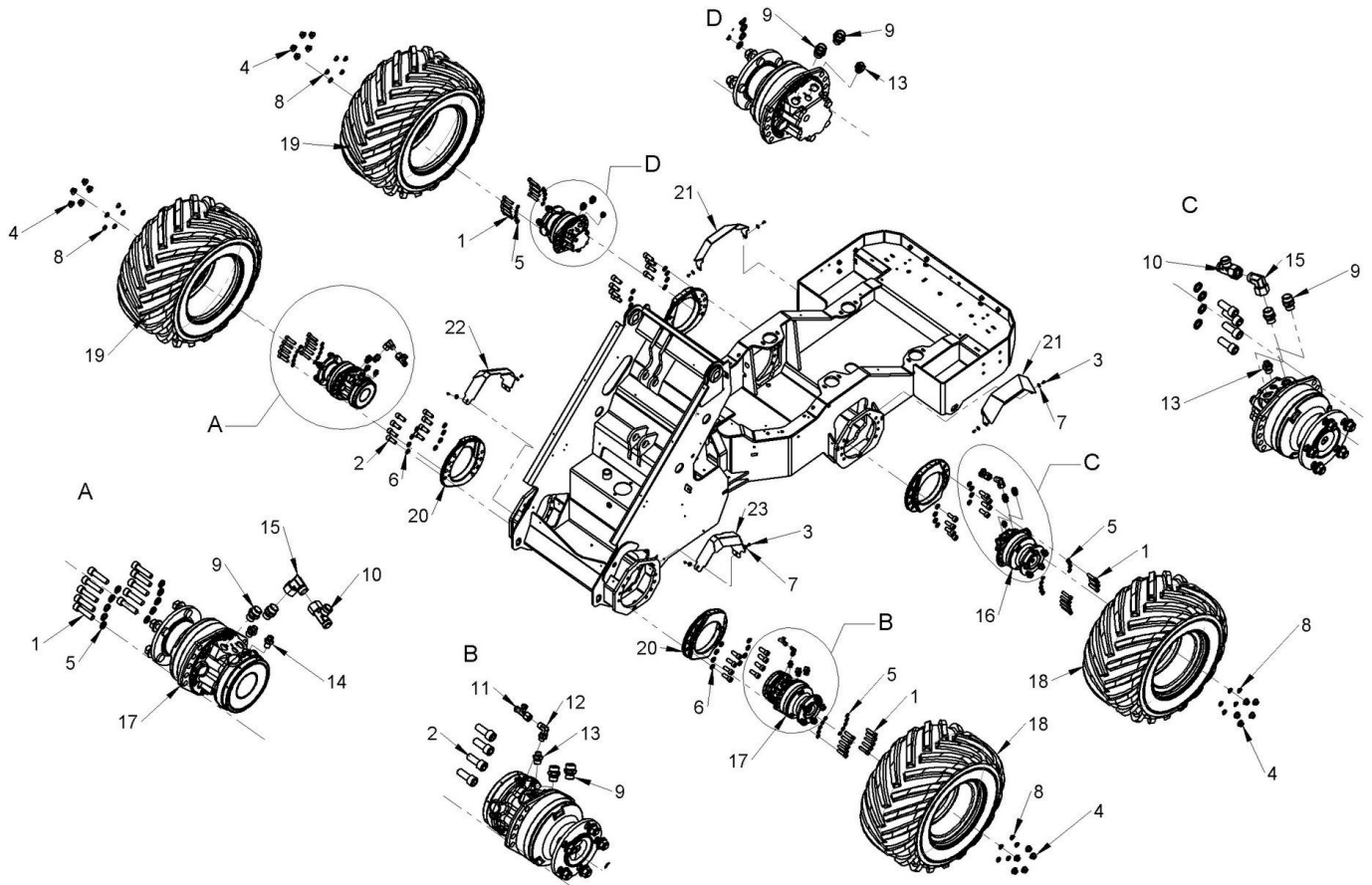
Component list [TAV. 03 ARTICULATION]

Pos.	Code	Description	Q.ty
1	C018310	ANELLO SEEGER PER FORI 62 DIN 472BORES SEEGER RING 62 DIN 472	4.00000
2	C019201	VITE TEF CI 8.8 M8X16 DIN 6921HEXAGON FLANGE BOLT M8X16 DIN 6921	5.00000
3	C020050	VITE TE M6x16HEXAGON HEAD PIPE PLUG M6X16 UNI 5739	6.00000
4	C020059	VITE TE 8.8 M6x70 ZB UNI ISO 4017M6x70 UNI ISO 4017 SCREW	2.00000
5	C020073	VITE TE 8.8 M8x25 UNI ISO 4017M8x25 SCREW ISO 4017	2.00000
6	C020114	VITE TE M10x90SCREW M10x90	1.00000
7	C020155	VITE TSPEI M8x20 UNI 5933M8X20 SCREW UNI5933	4.00000
8	C021104	DADO AUTOBLOCCANTE M6 UNI 7473SELF LOCKING NUT M6 UNI 7473	2.00000
9	C023041	RONDELLA NORD-LOCK M8SPNORD LOCK WASHER M8	1.00000
10	C023071	RONDELLA PIANA M8 ZINC. UNI6592PLAIN WASHER M8 8.4x16x1.6 UNI6592	2.00000
11	C023110	RONDELLA GREMB M6 DIN 9021PLAIN WASHER LARGE SERIES M6 6.5X18X1.5 DIN9021	8.00000
12	C028015	VOLANTINO A 3 LOBI CON FEMMINA M10 PASSANTE3 LOBE HANDWHEEL	1.00000
13	C028201	SPINA A SCATTOSNAP PLUG	1.00000
14	C028287	RIVETTO FILETTATO TONDO M8 FILO LAMIERASTUMP WITH THREAD M8	2.00000
15	C029043	FASCETTA MEB 12 INOX 80-100CLIP MEB 12 INOX 80-100	1.00000
16	C029045	FASCETTA INOX 56-59CLAMP 12MM INOX 56-59	4.00000



Draft and part list report
Serial n / code M331598 / C967300
Description MULTIONE SD 9.5

17	C029046	FASCETTA 12 INOX 19-28STEEL BAND	3.00000
18	C030103	TUBO ASPIRAZIONE olio 51-61 L=560OIL SUCTION PIPE	1.00000
19	C030103	TUBO ASPIRAZIONE olio 51-61 L=470OIL SUCTION PIPE	1.00000
20	C030542	RONDELLA BONDED 1/2"GASBONDED WASHER 1/2" GAS	1.00000
21	C030543	RONDELLA BONDED 3/4" GASWASHER 3/4" GAS	2.00000
22	C030610	TAPPO 1/2"GAS MAGNETICOMAGNETIC MALE PLUG G 1/2"	1.00000
23	C031052	VALVOLA DIFFERENZIALE + ANTICAVITAZIONEDBS TRANSMISSION VALVE	1.00000
24	C033002	NIPPLES 1/2"GAS / 12LNIPPLES 1/2" G / 12L	1.00000
25	C033004	NIPPLES 3/4"GAS/ 22LNIPPLES 3/4"GAS/ 22L	1.00000
26	C033104	NIPPLES M3/4 Gas 16SCONNECTOR MALE	4.00000
27	C033085	RACCORDO A T F-M-M 8LTEES CONNECTION F-M-M 8L	1.00000
28	C033086	RACCORDO A T M-F-M 8LTEES-CONNECTION M-F-M 8L	1.00000
29	C033133	NIPPLES 3/8"GAS / 8LNIPPLES 3/8" GAS / 8L	1.00000
30	C033134	NIPPLES 1/4"GAS / 8LNIPPLES 1/4 GAS-8L	1.00000
31	C033300	PORTAGOMMA DRITTO 3/4" TUBO DA 3/4"STRAIGHT HOSE CONNECTOR 3/4" FOR 3/4" HOSE	2.00000
32	C036600	FILTRO RITORNO	1.00000
33	C036616	FILTRO OLIO ASPIRAZIONEOIL FILTER	1.00000
34	C037637	SNODO SFERICO GE 35 FO 2RSGE 35 FO 2RS RADIAL SPHERICAL PLAIN BEARING	2.00000
35	C038748	TAPPO DI SFIATO 1" G PRESSUR. CON ASTINA LIVELLOOIL PLUG	1.00000
36	C090030	INGRASSATORE DRITTO M10x1GREASER M10X1 UNI 7663A	3.00000
37	C230162	SPINA FLANGIATA 30-L=76 V.N.I.FLANGED PIN 30 L=76	1.00000
38	C230166	SPINA FLANGIATA 35-L=73PIN 35-L=73	2.00000
39	C261110	COLLETTORE DI ASPIRAZIONE A 3 VIESUCTION OIL MANIFOLD	1.00000
40	C281655	STAFFETTA PORTA VALVOLA DIFFERENZIALEDIFFERENTIAL VALVE SUPPORT	1.00000
41	C281782	BLOCCO CERNIERA PER TRASPORTIARTICULATION LOCK	1.00000
42	C282450	ASSIEME TELAIO POSTERIOREM1 9-10 REAR FRAME	1.00000
43	C282548	BLOCCO DI SICUREZZA PER CILINDRO ALZATA	1.00000
44	C282600	TELAIO ANTERIOREFRONT FRAME	1.00000
45	C282609	COMPOSTO SCALINO ACCESSO CABINA BASSO/	1.00000
46	C282773	SUPPORTO FILTRO OLIO IN ASPIRAZIONEOIL FILTER SUPPORT	1.00000
47	C284565	CHIUSURA SU ANTERIORE/	1.00000



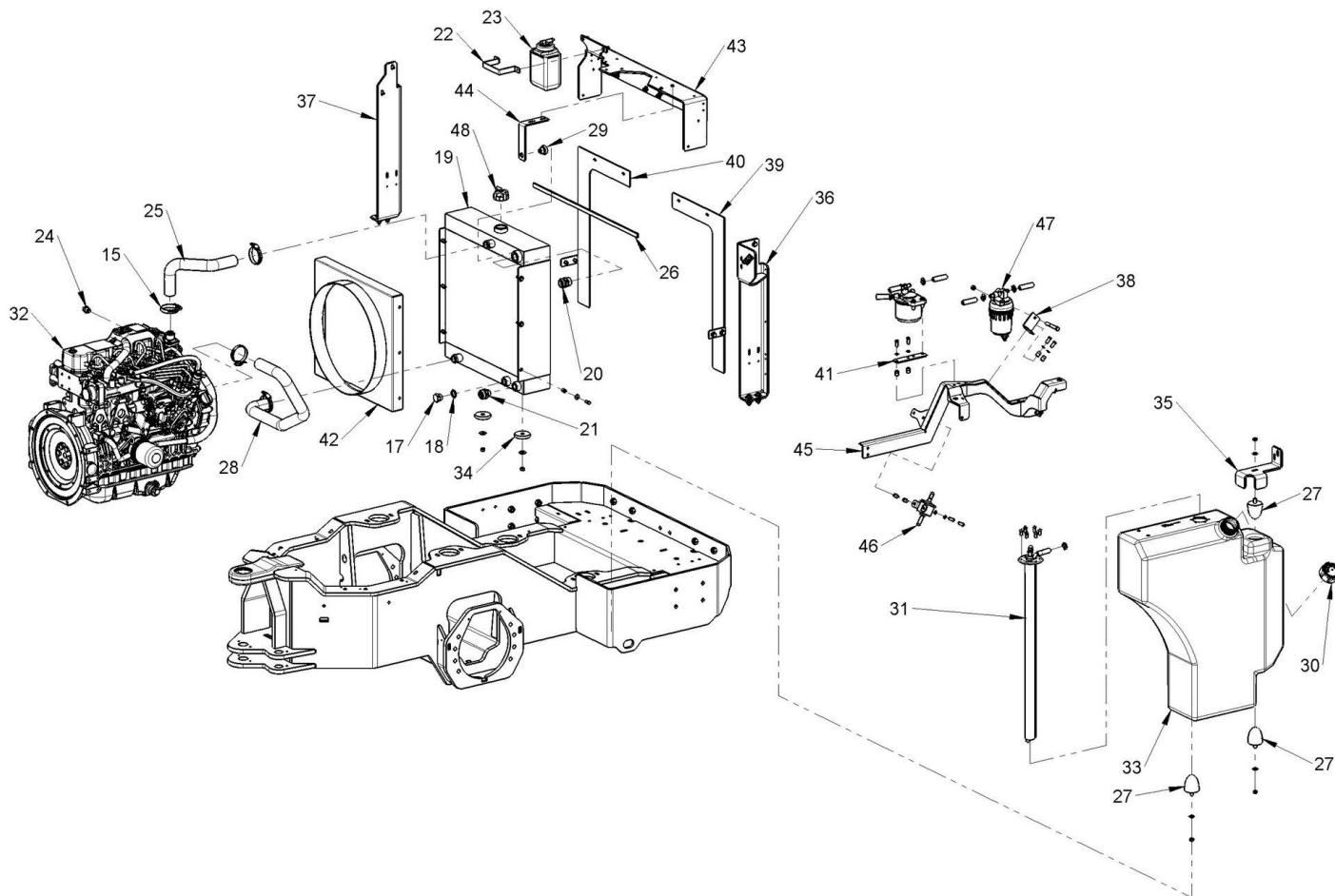
Component list [TAV. 04 WHEEL MOTORS]

Pos.	Code	Description	Q.ty
1	C020251	VITE TCCEI M12x50 ZG UNI 5931SCREW M12x50 UNI 5931	40.00000
2	C020294	VITE TCCEI M16x40 ZB UNI ISO 4762 CL. 10.9HEXAGON SOCKET HEAD CAP SCREW M16x40 UNI EN ISO 4762	32.00000
3	C020542	VITE TBEI M6x12 UNI ISO 7380M6x12 SCREW ISO 7380	8.00000
4	C021135	DADO M14x1,5NUT M14x1,5	40.00000
5	C023043	RONDELLA NORD LOCK M12NORD LOCK WASHER M8	40.00000
6	C023045	RONDELLA NORD LOCK M16M16 NORD LOCK WASHER	32.00000
7	C023110	RONDELLA GREMB M6 DIN 9021PLAIN WASHER LARGE SERIES M6 6.5X18X1.5 DIN9021	8.00000
8	C023500	RONDELLA LIMES PER M14WASHER LIMES D.14 FOR GT WHEEL SCREWS	40.00000
9	C033073	NIPPLES 1/2"GAS / 16SCONNECTOR MALE	8.00000
10	C033083	RACCORDO A T F-M-M 16STEES 16S	2.00000
11	C033085	RACCORDO A T F-M-M 8LTEES CONNECTION F-M-M 8L	1.00000
12	C033096 TN514	RACC. 90 M OR 1/4 - M 8LJOINT 90 1/4 BSP - 8L	1.00000
13	C033133	NIPPLES 3/8"GAS / 8LNIPPLES 3/8" GAS / 8L	4.00000
14	C033134	NIPPLES 1/4"GAS / 8LNIPPLES 1/4 GAS-8L	1.00000
15	C033144	RACC. 90 FG 16S - M 16S90 JOINT F16S / M16S	2.00000



Draft and part list report
Serial n / code M331598 / C967300
Description MULTIONE SD 9.5

16	C038695	MOTORE RUOTA MS02 1V 400 CCMSE02 2 1 SPEED PISTON MOTOR	2.00000
17	C038696	MOTORE RUOTA MSE02 1V 400 CC FRENATOMSE02-2 1 SPEED PISTON MOTOR	2.00000
18	C040002	RUOTA TRACTOR DX 31X15.50-15 ET OTRACTOR WHEEL 31X15.50-15/400/50-15 AS DUMPER II	2.00000
19	C040002	RUOTA TRACTOR DX 31X15.50-15 ET OTRACTOR WHEEL 31X15.50-15/400/50-15 AS DUMPER II	2.00000
20	C282499/L	FLANGIA PER MOTORE MSE03WHEEL MOTOR FLANGE	4.00000
21	C282573	CARTER PER ASSALE POSTERIOREREAR AXLE COVER	2.00000
22	C282574	CARTER MOTORE RUOTA ANTERIORE DXFRONT LEFT WHEEL MOTOR COVER	1.00000
23	C282576	CARTER ASSALE ANTERIORE SXFRONT RIGHT WHEEL MOTOR COVER	1.00000



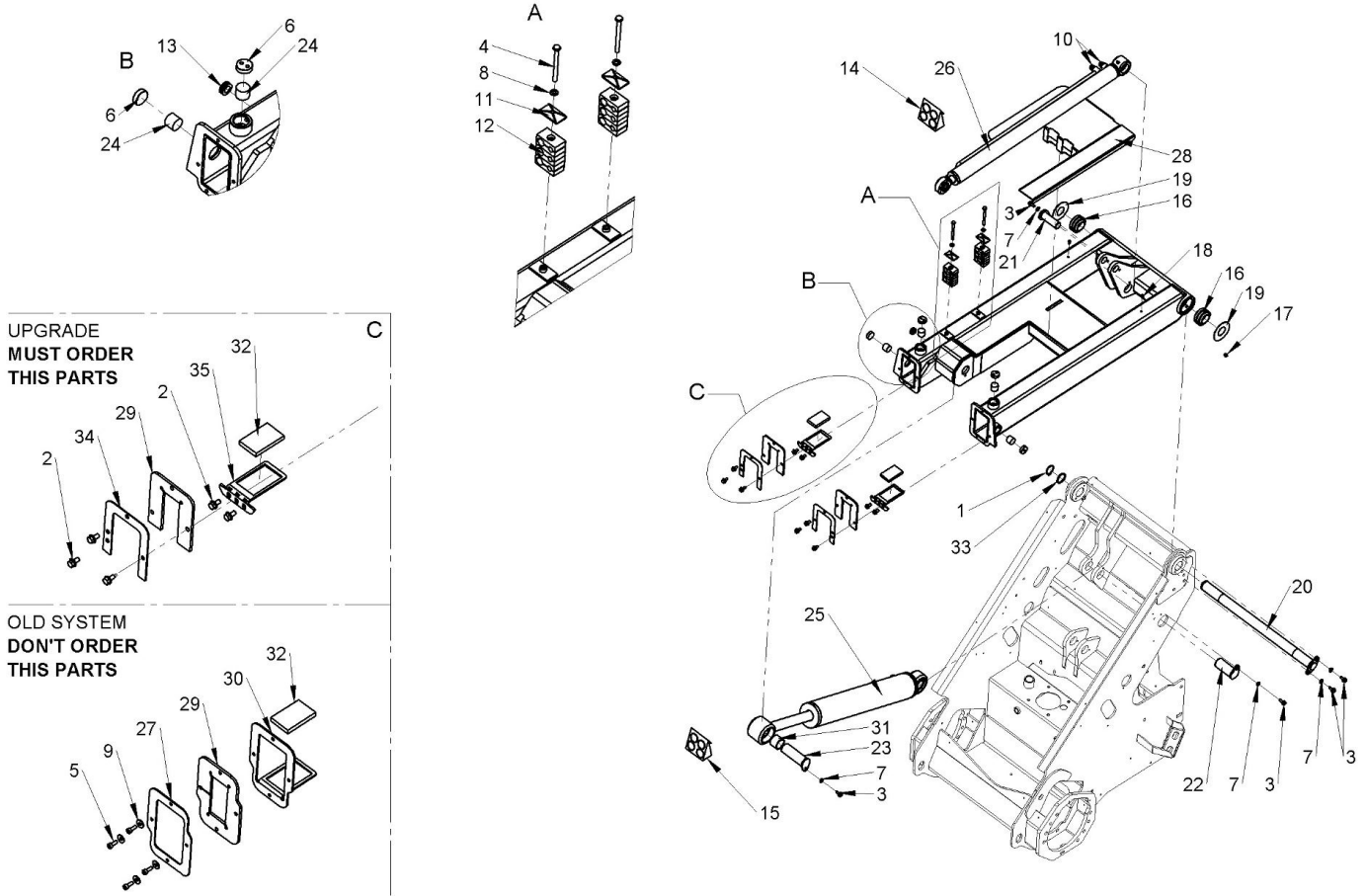
Component list [TAV. 05 ENGINE COOLER AND FUEL TANK]

Pos.	Code	Description	Q.ty
1	C019201	VITE TEF CI 8.8 M8X16 DIN 6921	8.00000
2	C019204	VITE TEF CI. 8.8 M8x30 ZB UNI EN 1665	6.00000
3	C020036	VITE TCCEI M5X16 UNI5931	6.00000
4	C020051	VITE TE M6x20 UNI 5739	14.00000
5	C020052	VITE M6x25 UNI 5739	8.00000
6	C020086	VITE TE 8.8 M8x70 P. F. UNI 5737	1.00000
7	C021010	DADO M8	3.00000
8	C021104	DADO AUTOBLOCCANTE M6 UNI 7473	8.00000
9	C021502	DADO AUTOFRENANTE M8 DIN980	9.00000
10	C023041	RONDELLA NORD-LOCK M8SP	3.00000
11	C023090	RONDELLA PIANA M6 UNI 6592	6.00000
12	C023100	RONDELLA GREMB M8 DIN 9021	12.00000
13	C023110	RONDELLA GREMB M6 DIN 9021	20.00000
14	C028271	RIVETTO FILETTATO TONDO M6	18.00000
15	C029031	FASCETTA MEB 12 INOX 40-60	4.00000
16	C029038	FASCETTA INOX W4 10-16 FASCIA 9 MM	8.00000



Draft and part list report
Serial n / code M331598 / C967300
Description MULTIONE SD 9.5

17	C030382	TAPPO 1/2"GAS	1.00000
18	C030542	RONDELLA BONDED 1/2"GAS	1.00000
19	C030592	RADIATORE ALL. COMBINATO MASSA 115x494	1.00000
20	C033004	NIPPLES 3/4"GAS/ 22L	1.00000
21	C033014	NIPPLES 1/2" GAS / 22L	1.00000
22	C034090	SUPPORTO VASCHETTA	1.00000
23	C034091	VASCHETTA COMPENSAZIONE LIQUIDO RADIATORE	1.00000
24		SENSORE TEMPERATURA ACQUA	1.00000
25	C035109	TUBO BLU 27x36 PARZ. GRECATO L=350	1.00000
26	C035111	MOUSSE NERA ADESIVA 15x5	1.00000
27	C035139	PARACOLPI 50 H=50 MASCHIO M8 PUNTA	3.00000
28	C035143	TUBO BLU 27x36 PARZIALMENTE GRECATO L=1000	1.00000
29	C036017	ANTIVIBRANTE RADIATORE	1.00000
30	C038723	TAPPO 2" 1/4 SERBATOIO GASOLIO	1.00000
31	C038759	GALLEGGIANTE LIVELLO CARBURANTE	1.00000
32	C039031	MOTORE YANMAR 4TNV88	1.00000
33	C220491	SERBATOIO GASOLIO L50	1.00000
34	C277098	DISTANZIALE PER SUPPORTI MOTORE POSTERIORI	2.00000
35	C282491	PIASTRA FISSAGGIO SERBATOIO GASOLIO	1.00000
36	C282500	MONTANTE SX RADIATORE ACQUA	1.00000
37	C282501	MONTANTE DX RADIATORE ACQUA	1.00000
38	C282577	SUPPORTO FILTRO GASOLIO YANMAR	1.00000
39	C282628	CHIUSURA POSTERIORE SX RADIATORE	1.00000
40	C282629	CHIUSURA POSTERIORE DX RADIATORE	1.00000
41	C282656	SUPPORTO FILTRO GASOLIO YANMAR	1.00000
42	C282670	CONVOGLIATORE MOTORE	1.00000
43	C282696	CAPPELLO SOPRA RADIATORE	1.00000
44	C282698	STAFFA FISSAGGIO RADIATORE	1.00000
45	C282752	MONTANTE PORTAPLASTICHE SX	1.00000
46	FF163/119225-52102	POMPA GASOLIO	1.00000
47	FF163/129242-55700	FILTRO SEPARATORE 3TNV82, 3TNV88, 4TNV88	1.00000
48	FF384_386501100	TAPPO IN PLASTICA 45 1,0 BAR	1.00000



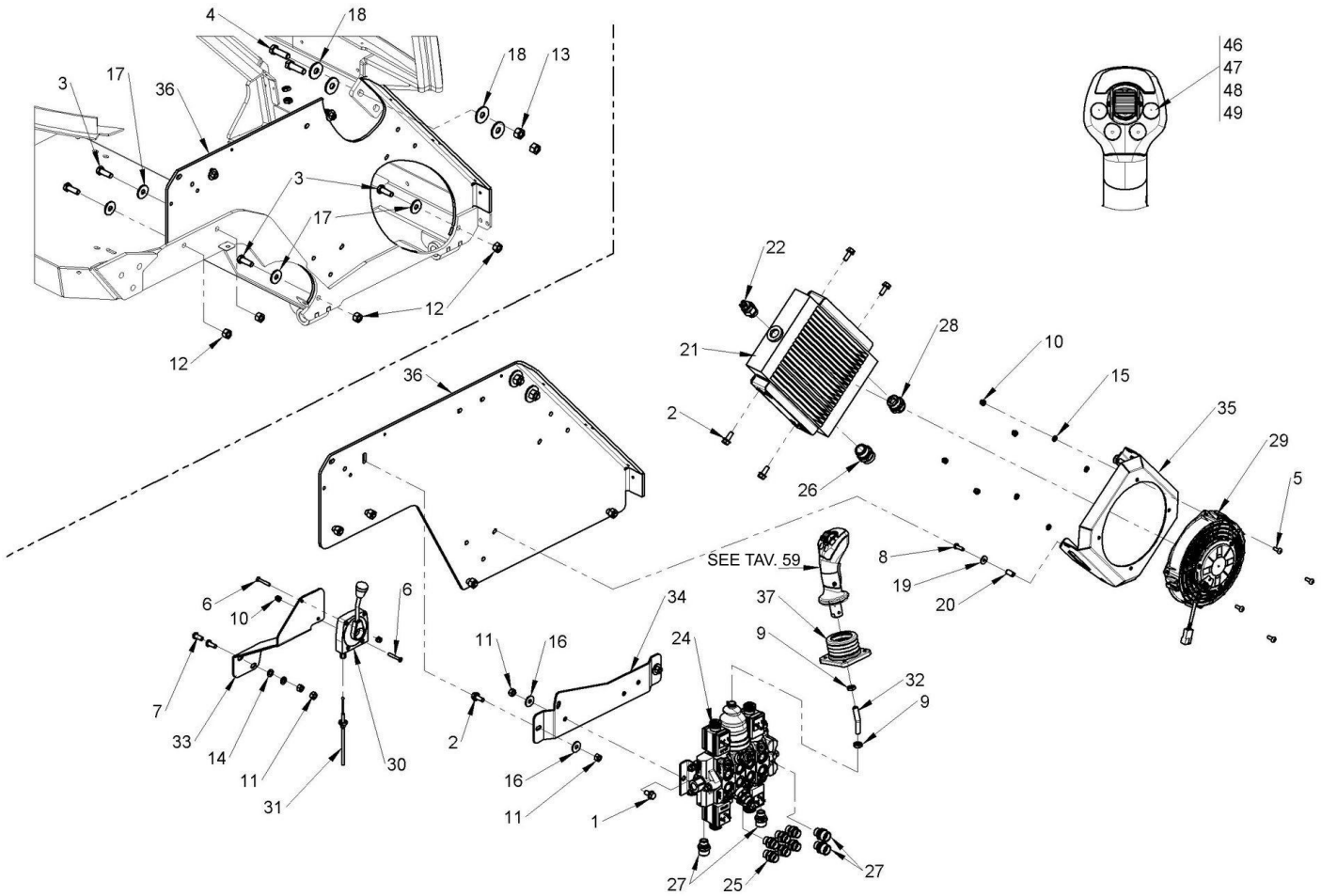
Component list [TAV. 06 M1 9 BOOM FIXED PART]

Pos.	Code	Description	Q.ty
1	C018300	SEEGER RINGI Ĩ40 UNI 7435	1.00000
2	C019201	HEXAGON FLANGE BOLT M8x16 DIN 6921	10.00000
3	C019202	HEXAGON FLANGE BOLT M8X20 DIN 6921	5.00000
4	C020082	HEXAGON HEAD SCREW 8.8 M8X90 UNI 5739	2.00000
5	C020210	HEXAGON SOCKET HEAD CAP SCREW M6x16 DIN 912	8.00000
6	C021413	SETTING HEAD 1"G	4.00000
7	C023041	NORD LOCK WASHER M8	5.00000
8	C023071	PLAIN WASHER M8 8.4x16x1.6 UNI6592	2.00000
9	C023110	PLAIN WASHER LARGE SERIES M6 6.5X18X1.5 DIN9021	8.00000
10	C033001	NIPPLES 3/8" G / 12L	2.00000
11	C035140	UPPER PLATE FOR HOSE HOLDER, TWIN	2.00000
12	C035159	DOUBLE PIPE CLAMP Ĩ12-Ĩ18	12.00000
13	C036039	CLOSED FAIRLEAD Ĩ19	1.00000
14		{{>desc}}	1.00000
15		{{>desc}}	1.00000
16	C037639	RADIAL SPHERICAL PLAIN BEARINGS GE 40 FO 2RS	2.00000



Draft and part list report
Serial n / code M331598 / C967300
Description MULTIONE SD 9.5

17	C090030	GREASER M10X1 UNI 7663A	2.00000
18	C090032	GREASER M6x1 UNI 7663A	2.00000
19	C274024	Ø88-Ø40,5 TH 1,5 SPACER	2.00000
20	C281623	Ø40x635 PIN	1.00000
21	C281704	Ø30x85 PIN	1.00000
22	C281765	FLANGED PIN ĩ40 L=90	1.00000
23	C281799	PIN ĩ40 L=120	1.00000
24	C281859	SLIDING STUD M1 5->10 SERIES	4.00000
25	C282709	80-35-454 LIFTING BOOM CYLINDER M1 9 SD 9	1.00000
26	C282428	CYLINDER EXTENSION BOOM	1.00000
27	C282446	BOOM RUBBER FIXER	2.00000
28	C282468	HOSE PROTECTION SHIELD	1.00000
29	C282469	TELESCOPIC ARM RUBBER PROTECTION	2.00000
30	C282667	SLIDING PAD BOOM BRACKET	2.00000
31	C282774	SPACER	1.00000
32	C282780	SLIDING PAD	2.00000
33	C284489	Ø40-Ø46 TH 3 SPACER	1.00000
34	C284498	BOOM RUBBER FIXER	2.00000
35	C284499	SLIDING PAD BOOM BRACKET	2.00000



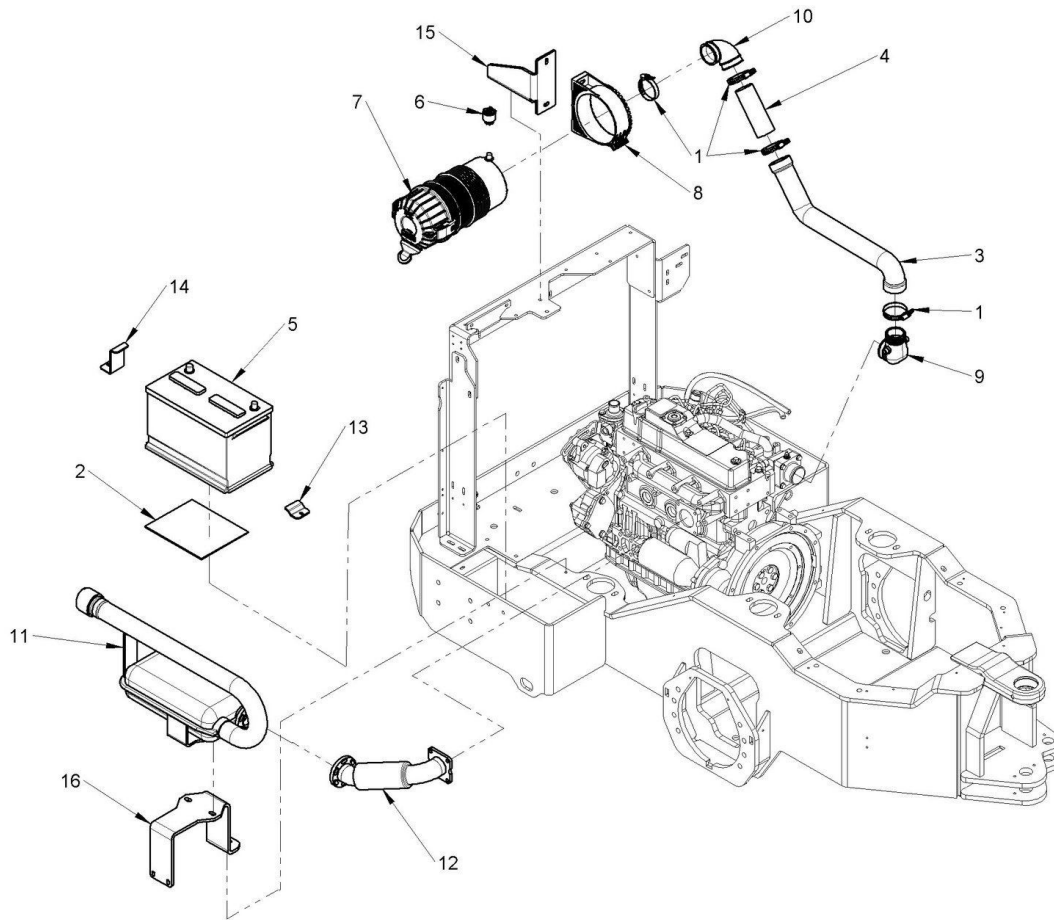
Component list [TAV. 08 RIGHT SIDE]

Pos.	Code	Description	Q.ty
1	C019201	VITE TEF CI 8.8 M8X16 DIN 6921	2.00000
2	C019202	VITE TEF M8x20 DIN 6921	6.00000
3	C020102	VITE TE 8.8 M10x30 UNI ISO 4017	4.00000
4	C020139	VITE TE 8.8 M12x40 UNI ISO 4017	2.00000
5	C020145	VITE TBEI M6x16 ZN UNI/ISO 7380	4.00000
6	C020291	VITE TSPEI M5x25 UNI 5933	2.00000
7	C020541	VITE TBEI M8x20 UNI/ISO 7380	2.00000
8	C020548	VITE TBEI M6x20 UNI/ISO 7380	2.00000
9	C021013	DADO M10 BASSO ISO 4035	2.00000
10	C021104	DADO AUTOBLOCCANTE M6 UNI 7473	6.00000
11	C021502	DADO AUTOFRENANTE M8 DIN980	6.00000
12	C021503	DADO AUTOFRENANTE M10 ZG DIN980	4.00000
13	C021504	DADO AUTOFRENANTE M12 DIN 980	2.00000
14	C023071	RONDELLA PIANA M8 ZINC. UNI6592	2.00000
15	C023090	RONDELLA PIANA M6 UNI 6592	4.00000
16	C023100	RONDELLA GREMB M8 DIN 9021	4.00000



Draft and part list report
Serial n / code M331598 / C967300
Description MULTIONE SD 9.5

17	C023104	RONDELLA GREMB M10	4.00000
18	C023105	RONDELLA GREMB M12	4.00000
19	C023110	RONDELLA GREMB M6 DIN 9021	2.00000
20	C028271	RIVETTO FILETTATO TONDO M6	2.00000
21	C030587	RADIATORE ALL. OLIO PER MULTIONE S 600	1.00000
22	C030606	TERMOSTATO 50-60 M22x1,5	1.00000
24	C030780	DISTRIBUTORE 4 SEZ.(2 MAN JOY+2 EL)	1.00000
25	C033001	NIPPLES 3/8"GAS / 12L	6.00000
26	C033004	NIPPLES 3/4"GAS/ 22L	1.00000
27	C033010	NIPPLES 3/8"GAS / 15L	4.00000
28	C033020	NIPPLES 3/4"GAS / 15L	1.00000
29	C034001	ELETTOVENTOLA ASSIALE 190	1.00000
30	C038711	MANOPOLA ACCELERATORE	1.00000
31	C038712	CAVO ACCELERATORE	1.00000
32	C272094	PRIGIONIERO M10 PIEGATO 15 PER JOYSTICK	1.00000
33	C281638	SUPPORTO ACCELERATORE	1.00000
34	C281647	SUPP. DISTRIB. "4 SEZ. MAN." O "2 SEZ. MAN. + 2 SEZ. ELET."	1.00000
35	C282249	CONVOGLIATORE RADIATORE OLIO	1.00000
36	C284225	FIANCO DX CABINA SD	1.00000
37	FF180/42.0001.0001	SOFFIETTO PER JOYSTICK	1.00000
46	FF180/42.0059.0360	SHORT ORANGE RUBBER CUP FOR JOYSTICK	1.00000
47	FF180/42.0059.0361	TALL ORANGE RUBBER CUP FOR JOYSTICK	1.00000
48	FF180/42.0059.0367	GREEN RUBBER CUP FOR JOYSTICK	1.00000
49	FF180/42.0059.0368	GRAY RUBBER CAP FOR JOYSTICK	1.00000



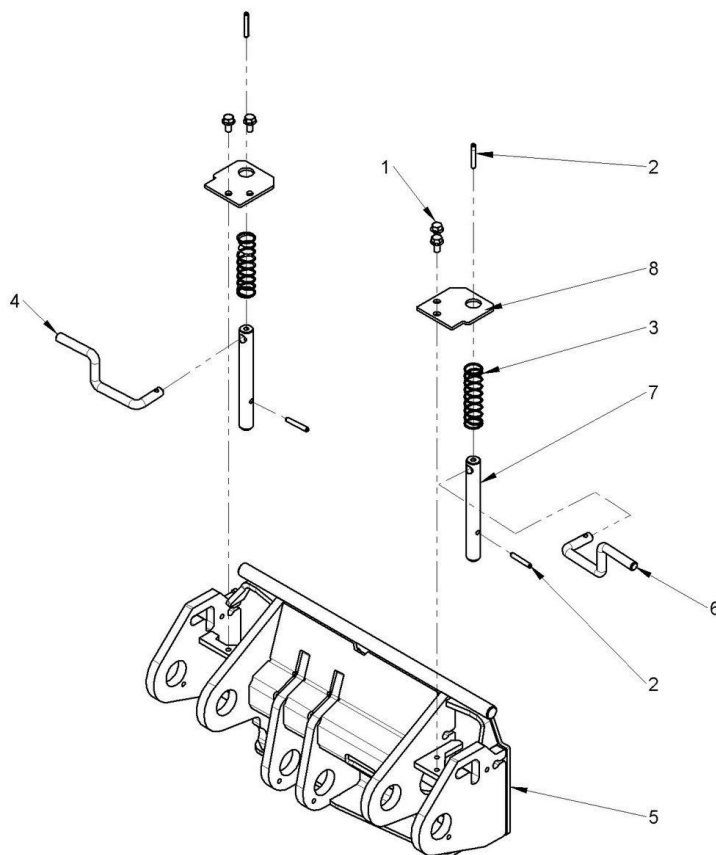
Component list [TAV. 09 M1 SD 9.5 MUFFLER, BATTERY, AIR FILTER]

Pos.	Code	Description	Q.ty
1	C029031	CLAMP MEB 12 INOX 40-60	4.00000
2	C029253	PANNELLO IN GOMMA ANTIVIBRAZIONI mm. 210x175 Sp. 3	1.00000
3	C036019	AIR INTAKE RUBBER HOSE	1.00000
4	C036042	AIR INTAKE IRON PIPE	1.00000
5	C036411	BATTERY 12V 100 AH	1.00000
6	C036654	AIR FILTER PRESSURE SWITCH	1.00000
7	C039055	5" AIR FILTER BODY	1.00000
8	C039057	CLAMP FOR AIR FILTER 5"	1.00000
9	C039104	5" AIR FILTER 90° PIPE MALE/FEMALE 1/2"	1.00000
10	C039123	5" AIR FILTER 90° PIPE FEMALE/FEMALE Ø51	1.00000
11	C039178	MUFFLER BODY, 9.5	1.00000
12	C039179	ENGINE MUFFLER COLLECTOR	1.00000
13	C277108	BATTERY BRACKET	1.00000
14	C282598	BATTERY BRACKET	1.00000
15	C282655	AIR FILTER SUPPORT	1.00000
16	C282786	MUFFLER'S BRACKET	1.00000



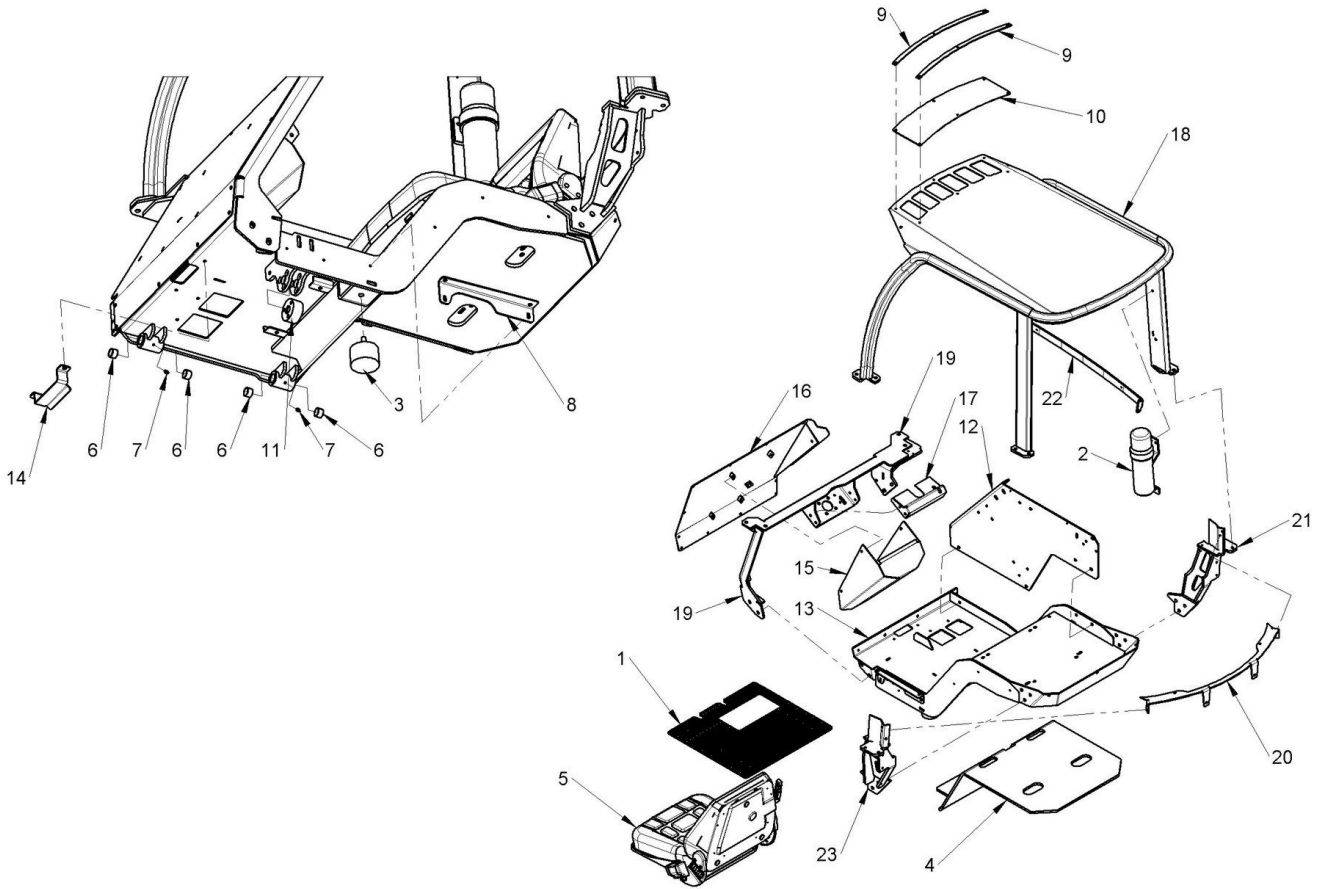
Draft and part list report
Serial n / code M331598 / C967300
Description MULTIONE SD 9.5

17	C036465	VOLANTE CSF	1.00000
18	C038515	COLONNETTA STERZO L=200	1.00000
19	C038512	IDROGUIDA 80 cc	1.00000
20	C283040	SUPPORTO PEDALIERA	1.00000
21	C284259	CAVALLOTTO GUIDATUBI IDROGUIDA	1.00000
22	C284445	CARTER IDROGUIDA INTERNO CABINA	1.00000
23	C284448	CHIUSURA ANTERIORE CABINA	1.00000
24	C284450	STAFFA GUIDA LEVA DEL FRENO A MANO	1.00000
25	C284461	PEDALE MARCIA AVANTI SD	1.00000
26	C284462	PEDALE MARCIA INDIETRO SD	1.00000
27	C284463	CARTER DI CHIUSURA SU PEDALI	1.00000
28	C284574	PARTE ANTERIORE SOTTO ROLL-BAR SD	1.00000



Component list [TAV. 11 M1 6-10 COUPLING PLATE]

Pos.	Code	Description	Q.ty
1	C019201	HEXAGON FLANGE BOLT M8x16 DIN 6921	4.00000
2	C028267	SPRING TYPE STRAIGHT PIN ĩ6x40 UNI 6875	4.00000
3	C220330	COMPRESSION SPRING	2.00000
4	C281827	LEFT LEVER, COUPLING PLATE	1.00000
5	C281860	COUPLING PLATE	1.00000
6	C281869	RIGHT LEVER, COUPLING PLATE	1.00000
7	C281870/L	LOCKIN ATTACHMENTS PIN	2.00000
8	C281871	CENTERING PIN PLATE	2.00000



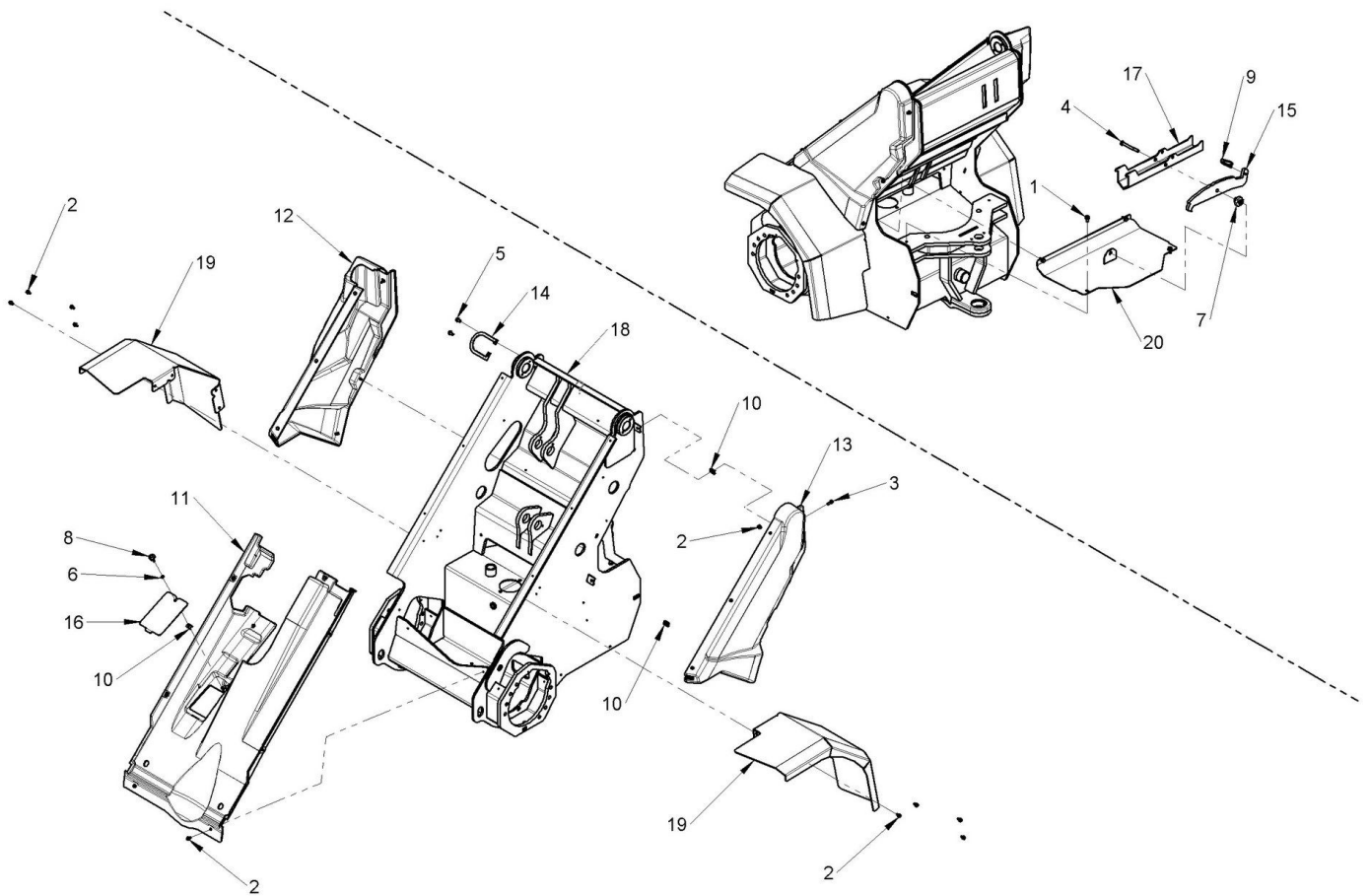
Component list [TAV. 12 SD 6-7-8-9 CABIN STRUCTURE]

Pos.	Code	Description	Q.ty
1	C029258	ROOF PADS FOR SD SERIE	1.00000
2	C030810	MANUAL HOLDER	1.00000
3	C035067	Ø75 H=50 SILENT BLOCK W/MALE THREAD M12x38	1.00000
4	C035163	ADHESIVE SOUND DEADENING	1.00000
5	C036752	SEAT WITH SPRING SC85/45	1.00000
6	C037647	Ø23-Ø20-10 BUSHING	4.00000
7	C090032	GREASER M6x1 UNI 7663A	2.00000
8	C281894	SUPPORT FOR PLASTIC STEP FRAME M1 3->10	1.00000
9	C282352	ROOF PLEXIGLASS FIXING PLATE	2.00000
10	C283051	ROOF PLEXIGLASS	1.00000
11	C284218	{{>desc}}	1.00000
12	C284225	{{>desc}}	1.00000
13	C284250	{{>desc}}	1.00000
14	C284259	POWER STERING HOSE GUIDE	1.00000
15	C284445	INNER POWER STEERING CASE	1.00000
16	C284448	FRONT CLOSING PLATE	1.00000



Draft and part list report
Serial n / code M331598 / C967300
Description MULTIONE SD 9.5

17	C284450	HAND BRAKE GUIDE	1.00000
18	C284570	REMOVABLE ROLL-BAR FRAME	1.00000
19	C284574	ROLL-BAR FRONT GIRDER	1.00000
20	C284587	PLASTIC COVER SUPPORT	1.00000
21	C284590	ROLL-BAR RIGHT SUPPORT	1.00000
22	C284592	DASHBOARD SUPPORT	1.00000
23	C284593	ROLL-BAR LEFT SUPPORT	1.00000



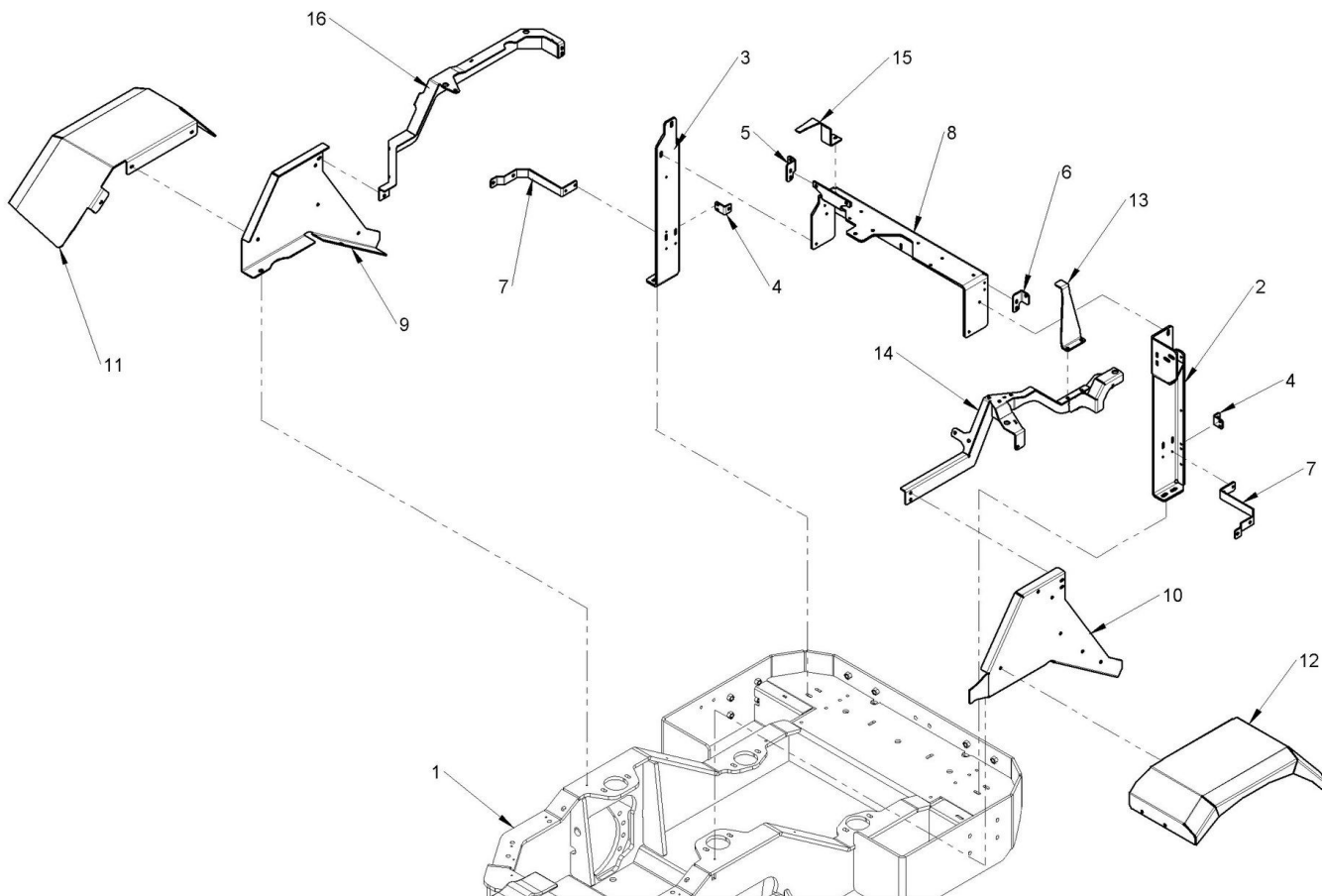
Component list [TAV. 13 FRONT PLASTIC COVER]

Pos.	Code	Description	Q.ty
1	C019201	VITE TEF CI 8.8 M8X16 DIN 6921	4.00000
2	C019210	VITE TEF 8.8 M6x12 ZN UNI 1665	23.00000
3	C019212	VITE TEF 8.8 M6x20 ZN UNI 1665	5.00000
4	C020114	VITE TE M10x90	1.00000
5	C020549	VITE TBEI M8x16 ISO 7380	2.00000
6	C023601	ANELLO FISSATORE ELASTICO RPCO 5	1.00000
7	C028015	VOLANTINO A 3 LOBI CON FEMMINA M10 PASSANTE	1.00000
8	C028024	VOLANTINO A 3 LOBI CON PERNO M6x20	1.00000
9	C028201	SPINA A SCATTO	1.00000
10	C028285	PIASTRINA IMBUTITA M6	5.00000
11	C041456	CARTER SOTTOBRACCIO ANTERIORE	1.00000
12	C041527	FIANCO ANTERIORE DX 9SD	1.00000
13	C041528	FIANCO ANTERIORE SX 9SD	1.00000
14	C281605	CAVALLOTTO GUIDA TUBI	1.00000
15	C281782	BLOCCO CERNIERA PER TRASPORTI	1.00000
16	C281893	SPORTELLINO CHIUSURA SERBATOIO IDRAULICO	1.00000



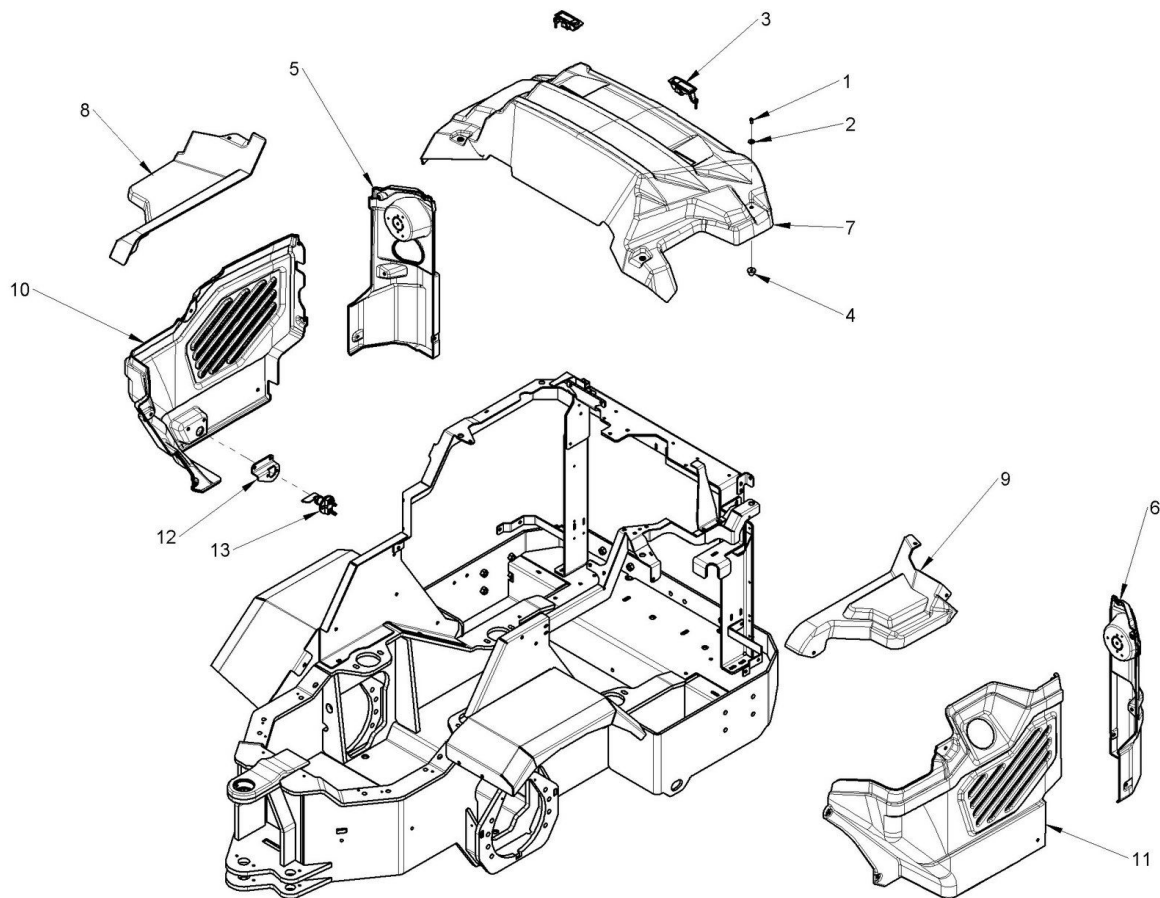
Draft and part list report
Serial n / code M331598 / C967300
Description MULTIONE SD 9.5

17	C282548	BLOCCO DI SICUREZZA PER CILINDRO ALZATA	1.00000
18	C282600	TELAIO ANTERIORE	1.00000
19	C282750	PARAFANGO ANTERIORE	2.00000
20	C284565	CHIUSURA SU ANTERIORE	1.00000



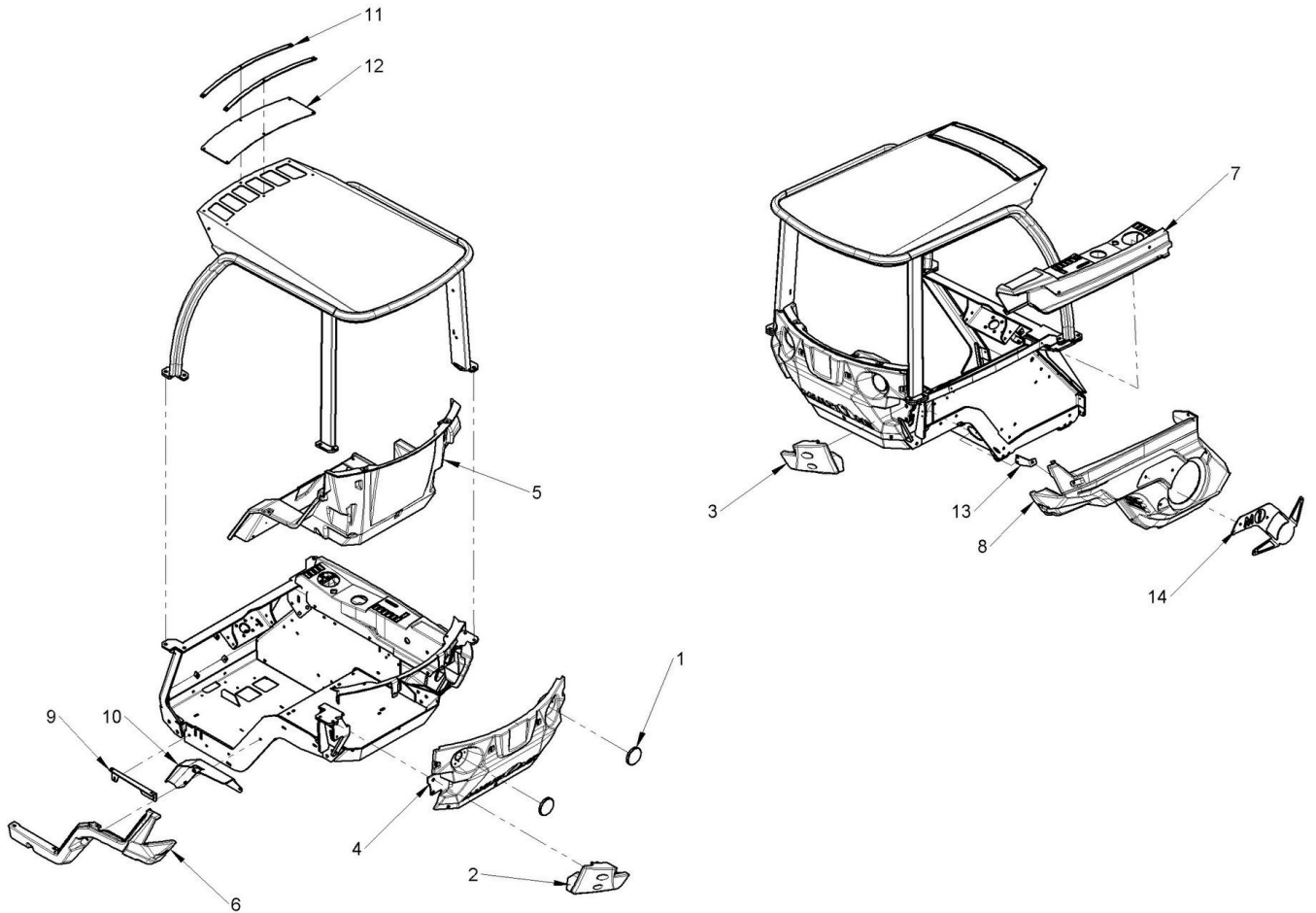
Component list [TAV. 14 REAR PLAST COVER BRACKET]

Pos.	Code	Description	Q.ty
1	C282450	ASSIEME TELAIO POSTERIORE	1.00000
2	C282500	MONTANTE SX RADIATORE ACQUA	1.00000
3	C282501	MONTANTE DX RADIATORE ACQUA	1.00000
4	C282593	STAFFA SUPPORTO PLASTICHE POST	2.00000
5	C282594	STAFFA SUPPORTO PLASTICHE POST DX SUP	1.00000
6	C282595	STAFFA SUPPORTO PLASTICHE POST SX SUP	1.00000
7	C282597	STAFFA SUPPORTO PLASTICHE POST INF	2.00000
8	C282696	CAPPELLO SOPRA RADIATORE	1.00000
9	C282746	SUPPORTO TERMOFORMATO E PARAFANGO SX	1.00000
10	C282747	SUPPORTO TERMOFORMATO E PARAFANGO SX	1.00000
11	C282748	SUPPORTO CARTER E PARAFANGO POST. DX	1.00000
12	C282749	SUPPORTO CARTER E PARAFANGO POST. SX	1.00000
13	C282751	BATTUTA CHIUSURA A SCATTO SX	1.00000
14	C282752	MONTANTE PORTAPLASTICHE SX	1.00000
15	C282756	BATTUTA CHIUSURA A SCATTO DX	1.00000
16	C282757	MONTANTE DX FISSA PLASTICHE	1.00000



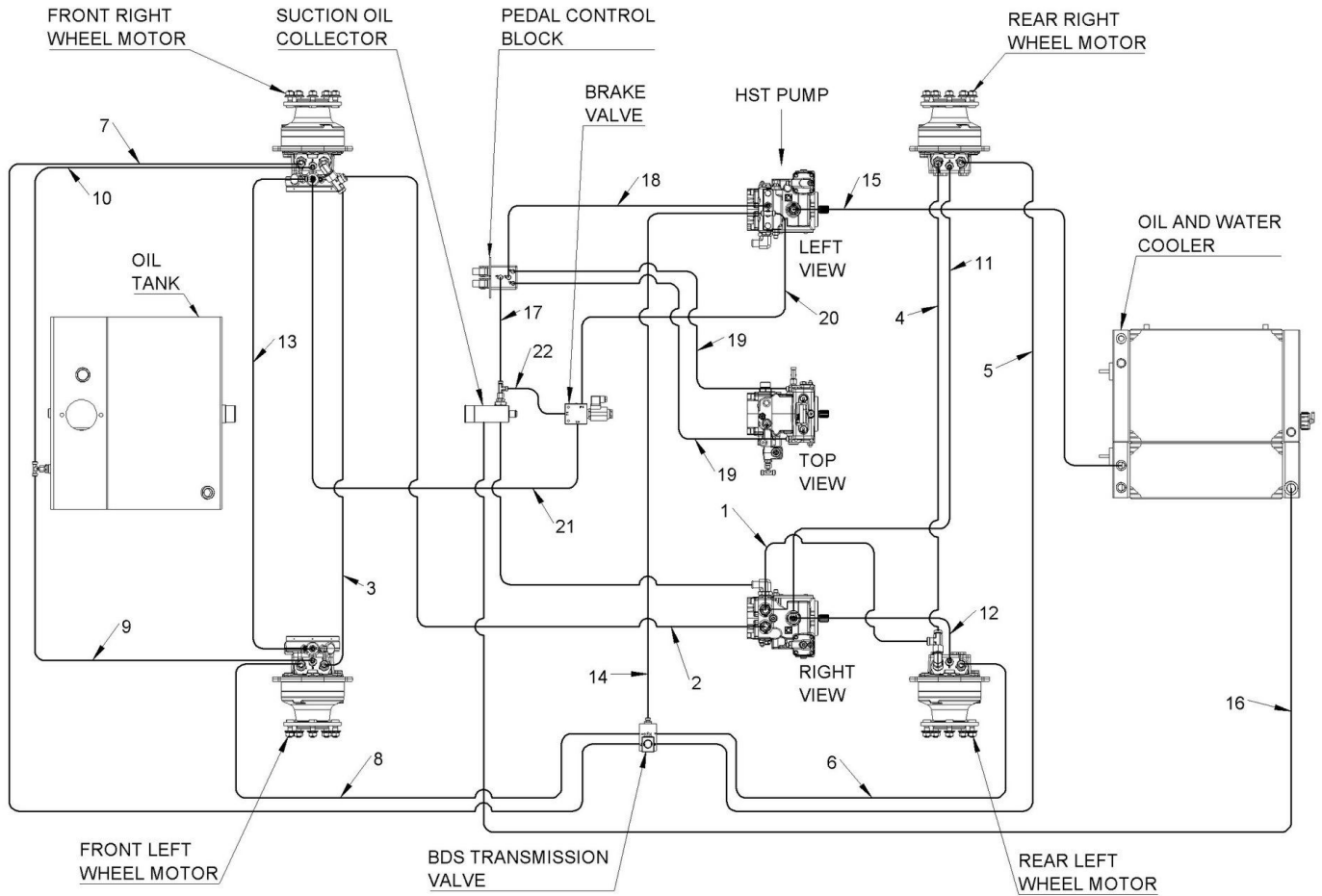
Component list [TAV. 15 REAR PLASTIC COVER]

Pos.	Code	Description	Q.ty
1	C020542	VITE TBEI M6x12 UNI ISO 7380M6x12 SCREW ISO 7380	4.00000
2	C023110	RONDELLA GREMB M6 DIN 9021PLAIN WASHER LARGE SERIES M6 6.5X18X1.5 DIN9021	4.00000
3	C035045	CHIUSURA A SCATTOLOCK HANDLE	2.00000
4	C035142	PARACOLPI 24 H=19 FEMMINA M6 PUNTAPARABOLIC SILENT BLOCK 24 H=16	4.00000
5	C041517	CARTER POST. FANALI DXREAR RIGHT LIGHT SUPPORT	1.00000
6	C041518	CARTER POST. FANALI SXREAR LEFT LIGHT SUPPORT	1.00000
7	C041529	COFANO SOPRAMOTORE	1.00000
8	C041530	CHIUSURA SOTTO CABINA DX	1.00000
9	C041531	CHIUSURA SOTTO CABINA SX	1.00000
10	C041542	FIANCO POSTERIORE DXREAR RIGHT SIDE COVER	1.00000
11	C041543	FIANCO POSTERIORE SXREAR LEFT SIDE COVER	1.00000
12	C281889	SUPPORTO STACCA BATTERIASWITCH BATTERY SUPPORT	1.00000
13	FF180/0034.0303	STACCA BATTERIA BATTERY SWITCH	1.00000



Component list [TAV. 16 CABIN PLASTIC COVER]

Pos.	Code	Description	Q.ty
1	C034018	Ø80 RED RETRO REFLECTOR	2.00000
2	C041386	LEFT RUBBER PROTECTION MK-MZ	1.00000
3	C041387	RIGHT RUBBER PROTECTION MK-MZ	1.00000
4	C041427	BACK CABIN COVER WITH NO A/C	1.00000
5	C041437	UNDER SEAT COVER	1.00000
6	C041443	LEFT DOOR SLAM	1.00000
7	C041494	RIGHT DASHBOARD FOR JOYSTICK SD SERIE	1.00000
8	C041541	RIGHT SIDE CABIN	1.00000
9	C281894	SUPPORT FOR PLASTIC STEP FRAME M1 3->10	1.00000
10	C281895	UNDER SEAT COVER SUPPORT REV.01	1.00000
11	C282352	ROOF PLEXIGLASS FIXING PLATE	2.00000
12	C283051	ROOF PLEXIGLASS	1.00000
13	C284257	RIGHT SIDE COVER SUPPORT	1.00000
14	C284258	OIL COOLER COVER PLATE	1.00000



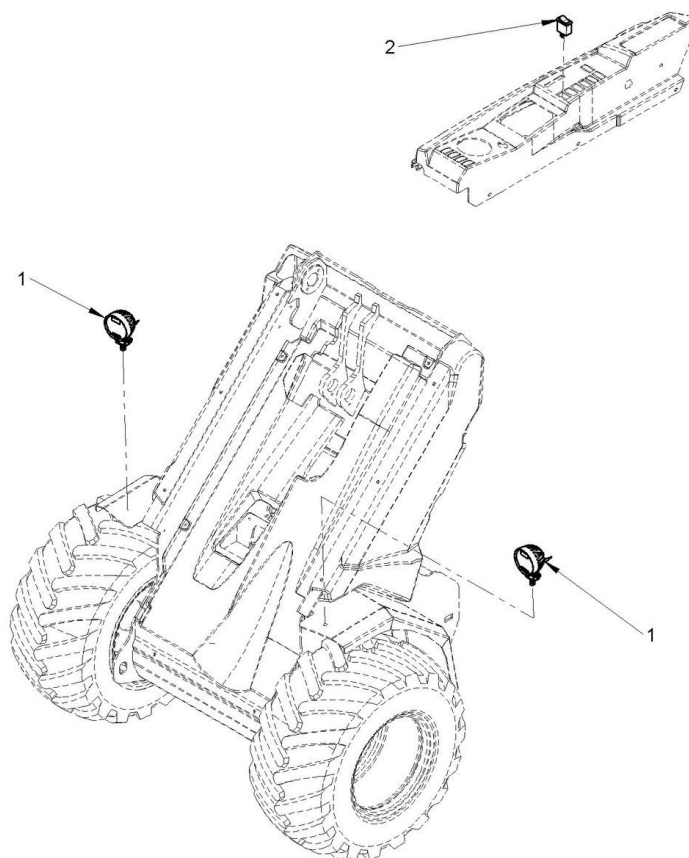
Component list [TAV. 18 TRANSMISSION HYDRAULIC DIAGRAM]

Pos.	Code	Description	Q.ty
1	C810401/1	HYDRAULIC HOSE	1.00000
2	C810401/2	HYDRAULIC HOSE	1.00000
3	C810401/3	HYDRAULIC HOSE	1.00000
4	C810401/4	HYDRAULIC HOSE	1.00000
5	C810401/5	HYDRAULIC HOSE	1.00000
6	C810401/6	HYDRAULIC HOSE	1.00000
7	C810401/7	HYDRAULIC HOSE	1.00000
8	C810401/8	HYDRAULIC HOSE	1.00000
9	C810401/9	HYDRAULIC HOSE	1.00000
10	C810401/10	HYDRAULIC HOSE	1.00000
11	C810401/11	HYDRAULIC HOSE	1.00000
12	C810401/12	HYDRAULIC HOSE	1.00000
13	C810401/14	HYDRAULIC HOSE	1.00000
14	C810401/15	HYDRAULIC HOSE	1.00000
15	C810401/16	HYDRAULIC HOSE	1.00000
16	C810401/17	HYDRAULIC HOSE	1.00000



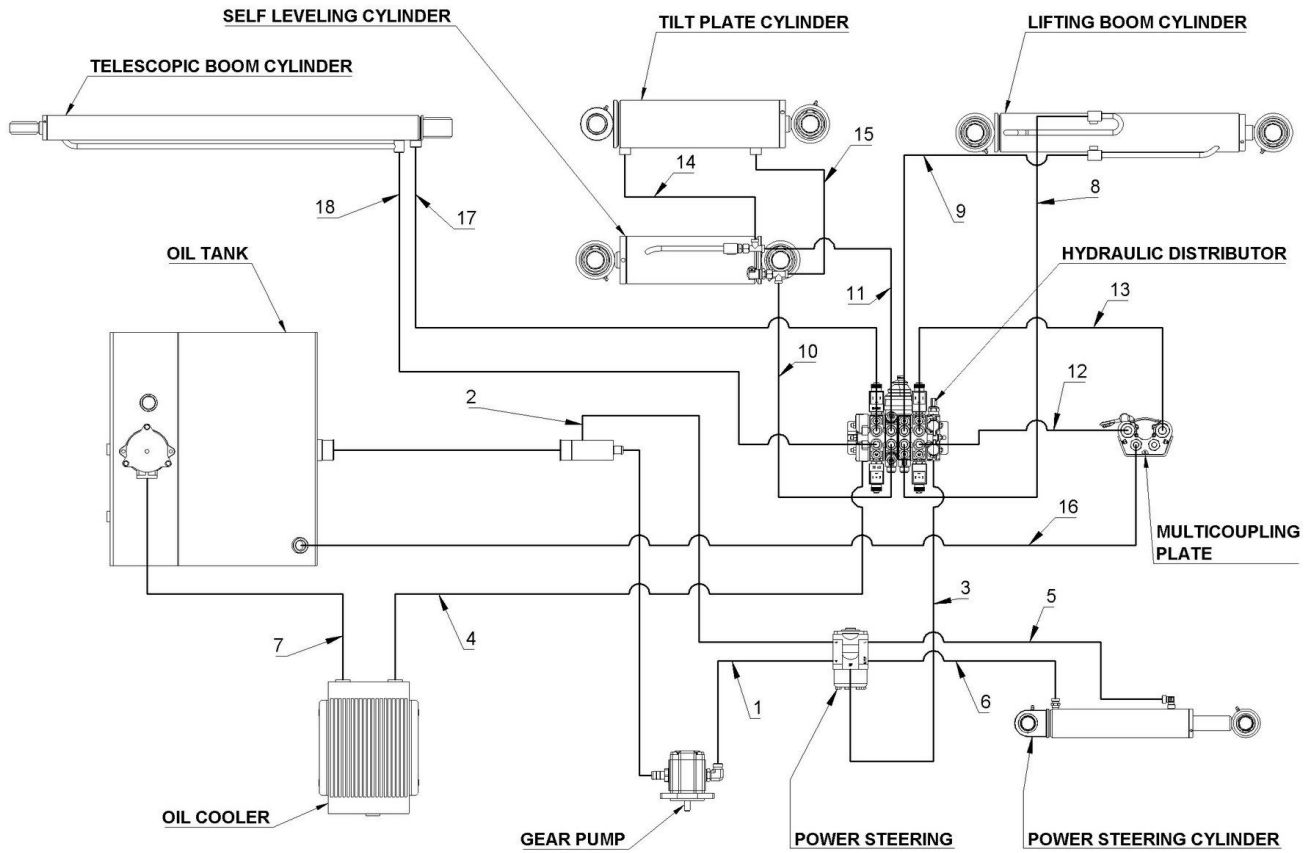
Draft and part list report
Serial n / code M331598 / C967300
Description MULTIONE SD 9.5

17	C810401/29	HYDRAULIC HOSE	1.00000
18	C810401/30	HYDRAULIC HOSE	1.00000
19	C810401/31	HYDRAULIC HOSE	1.00000
20	C810401/44	HYDRAULIC HOSE	1.00000
21	C810401/45	HYDRAULIC HOSE	1.00000
22	C810401/46	HYDRAULIC HOSE	1.00000



Component list [TAV. 18 WORK LIGHT]

Pos.	Code	Description	Q.ty
1	C036101	LED WORKING LIGHT WITH BRACKET	2.00000
2	C036154	WORK LIGHT SWITCH	1.00000
3	C041490	RIGHT DASHBOARD FOR SIMPLE JOYSTICK	1.00000



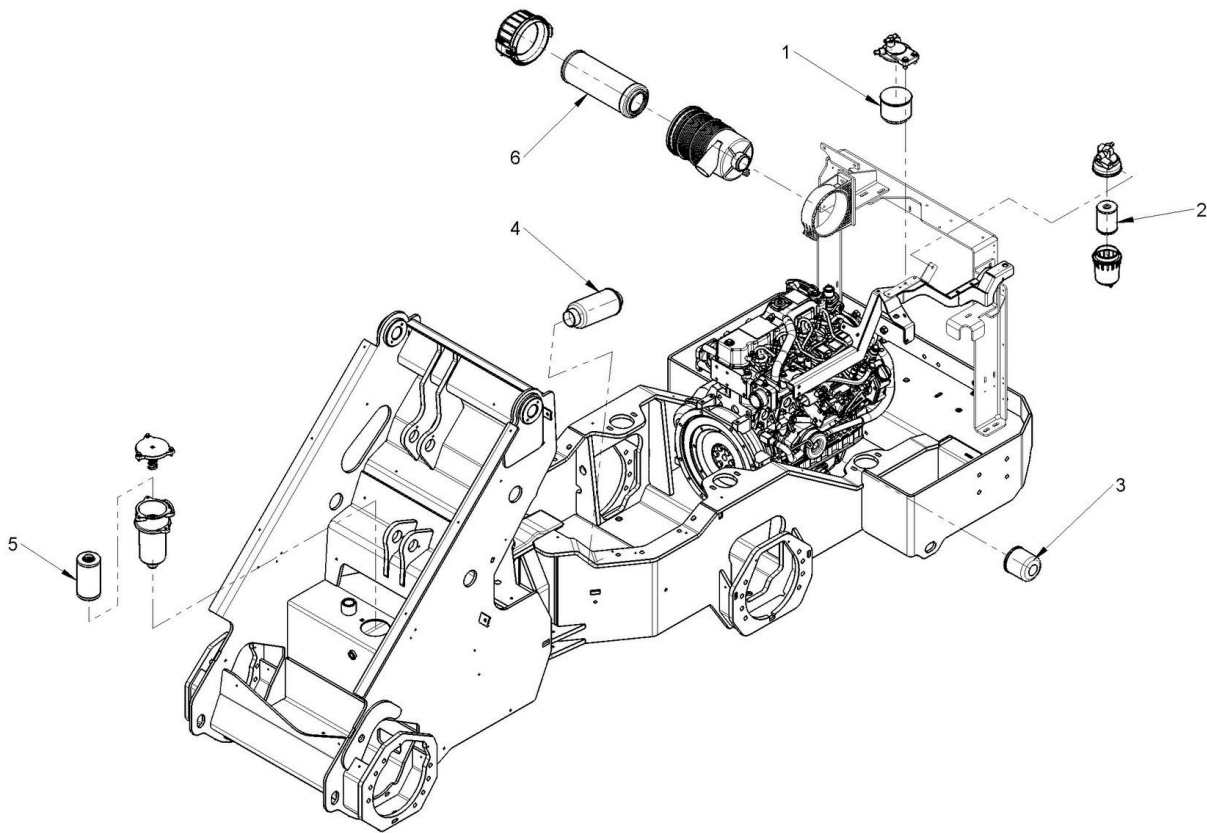
Component list [TAV. 19 SERVICES HYDRAULIC DIAGRAM]

Pos.	Code	Description	Q.ty
1	C810401/18	TUBO OLIOOIL HOSE	1.00000
2	C810401/19	TUBO OLIOOIL HOSE	1.00000
3	C810401/20	TUBO OLIOOIL HOSE	1.00000
4	C810401/21	TUBO OLIOOIL HOSE	1.00000
5	C810401/22	TUBO OLIOOIL HOSE	1.00000
6	C810401/23	TUBO OLIOOIL HOSE	1.00000
7	C810401/24	TUBO OLIOOIL HOSE	1.00000
8	C810401/25	TUBO OLIOOIL HOSE	1.00000
9	C810401/26	TUBO OLIOOIL HOSE	1.00000
10	C810401/27	TUBO OLIOOIL HOSE	1.00000
11	C810401/28	TUBO OLIOOIL HOSE	1.00000
12	C810401/32+C810401/34	TUBO OLIOOIL HOSE	1.00000
13	C810401/33+C810401/35	TUBO OLIOOIL HOSE	1.00000
14	C810401/36+C810401/39	TUBO OLIOOIL HOSE	1.00000



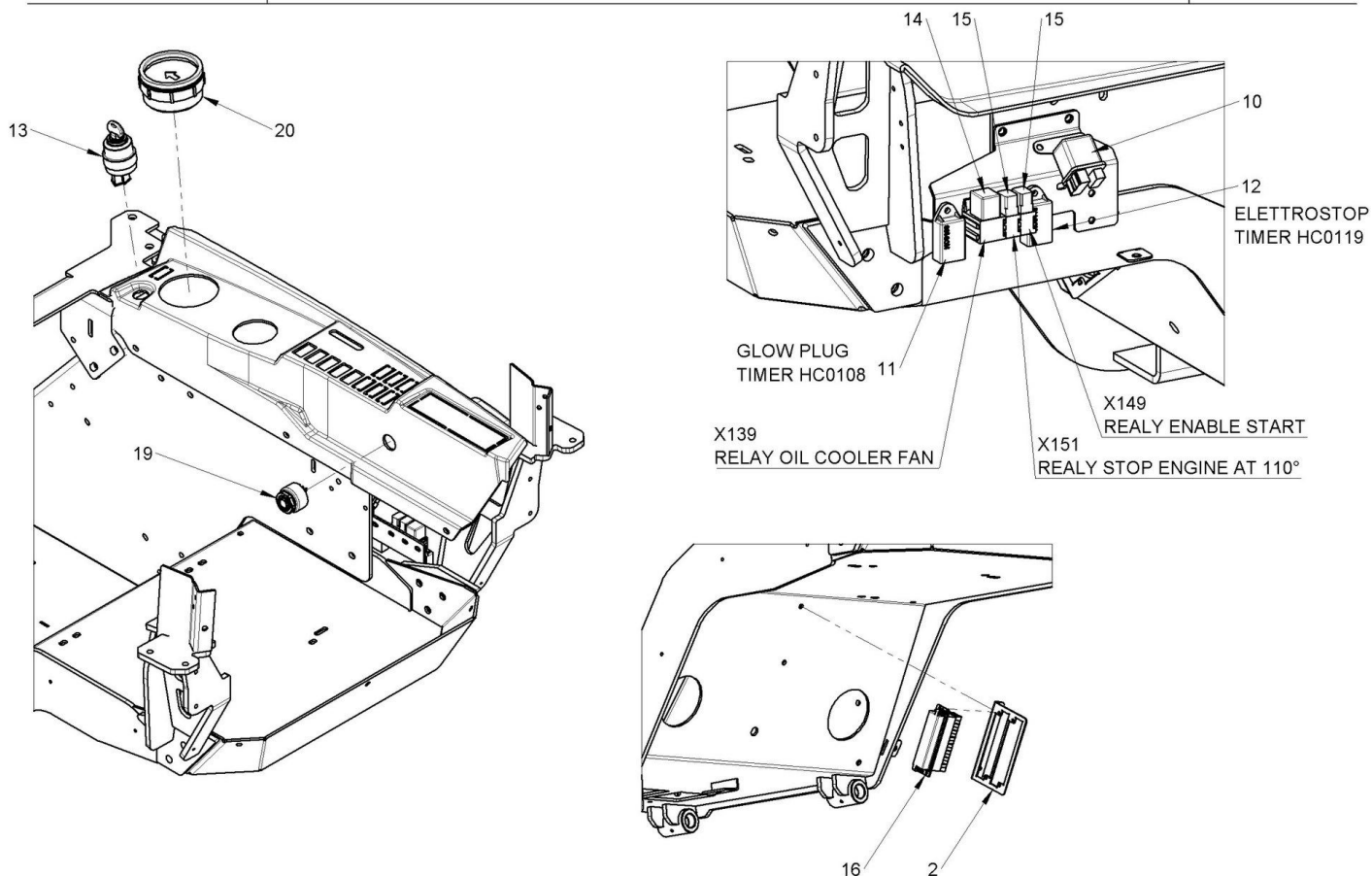
Draft and part list report
Serial n / code M331598 / C967300
Description MULTIONE SD 9.5

15	C810401/37	TUBO OLIOOIL HOSE	1.00000
16	C810401/38	TUBO OLIOOIL HOSE	1.00000
17	C810401/42	TUBO OLIOOIL HOSE	1.00000
18	C810401/43	TUBO OLIOOIL HOSE	1.00000



Component list [TAV. 20 SD 9 FILTERS]

Pos.	Code	Description	Q.ty
1	C039044	FUEL FILTER FOR A700Y,SL35,SL835,SL840,GT(TNV) >2007,GT950,QTRAK1235,1240,1550	1.00000
2	C039029	WATER SEP CARTRIDGE	1.00000
3	C039045	ENGINE OIL FILTER FOR YANMAR 3TNV78-82-88,4TNV88-98	1.00000
4	C036616	SUCTION FILTER 60 MICRON - 100 Lt./min.	1.00000
5	C036601	RETURN FILTER 10 micron CARTRIDGE FOR M/S/SL/F SERIES	1.00000
6	C039060	5" AIR FILTER CARTRIDGE AFTER 07/2005	1.00000



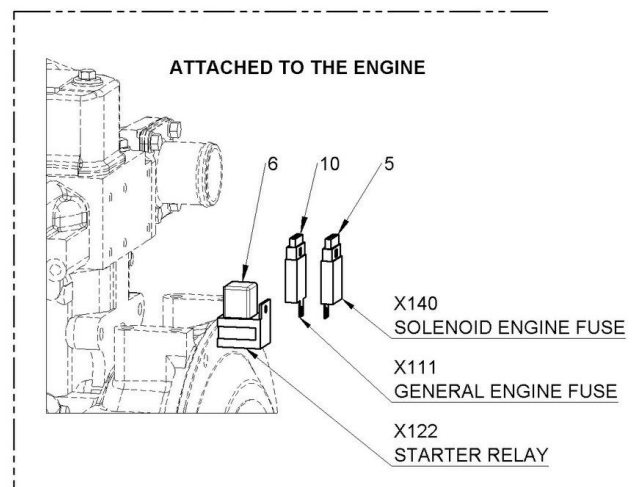
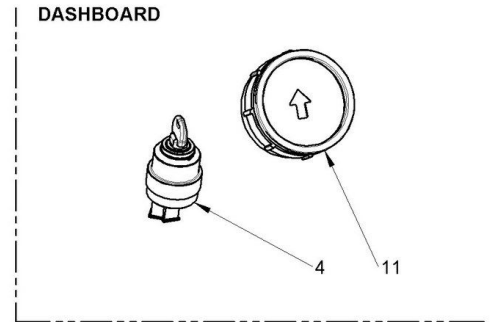
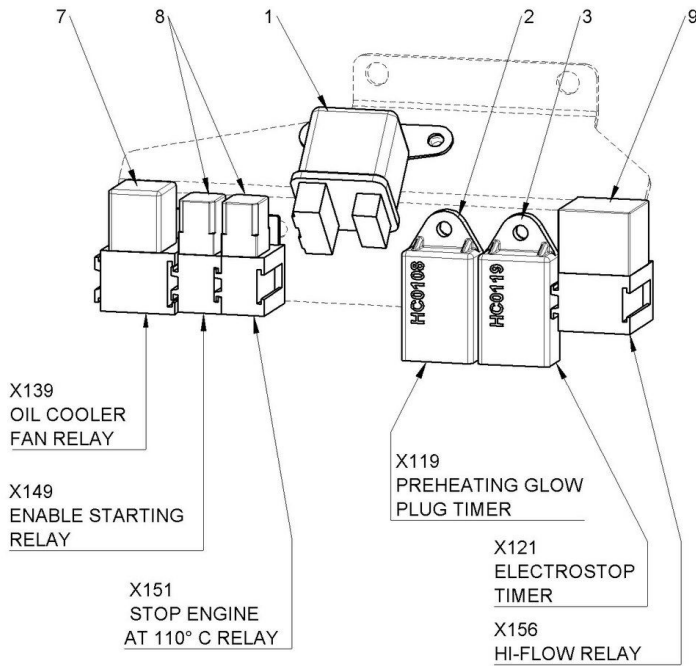
Component list [TAV. 21 ELECTRIC PARTS]

Pos.	Code	Description	Q.ty
1	C041494	CONSOLLE LATERALE JOYSTICK MULTI	1.00000
2	C281852	STAFFA PORTA FUSIBILI	1.00000
3	C284214	STAFFA SUPPORTO RELE' SD	1.00000
4	C284225	FIANCO DX CABINA SD	1.00000
5	C284250	SUPPORTO SEDILE SD	1.00000
6	C284574	PARTE ANTERIORE SOTTO ROLL-BAR SD	1.00000
7	C284590	SUPPORTO POSTERIORE DX ROLL-BAR SD	1.00000
8	C284592	SUPPORTO LATERALE CONSOLLE SD	1.00000
9	C284593	SUPPORTO POSTERIORE SX ROLL-BAR SD	1.00000
10	FF163/119650-77911	RELAY PRERISCALDO	1.00000
11	FF163/128300-77920	TIMER CANDELETTE HC0108	1.00000
12	FF163/129211-77920	TIMER ELETTROSTOP HC0119	1.00000
13	FF180/0005.0061	BLOCCHETTO ACCENSIONE	1.00000
14	FF180/30.45.52003	RELE' MINI CON DIODO 12V	1.00000
15	FF180/30.45.520004	MICRO RELE'	2.00000
16	FF180/AK 67111	SCATOLA PORTAFUSIBILI	1.00000



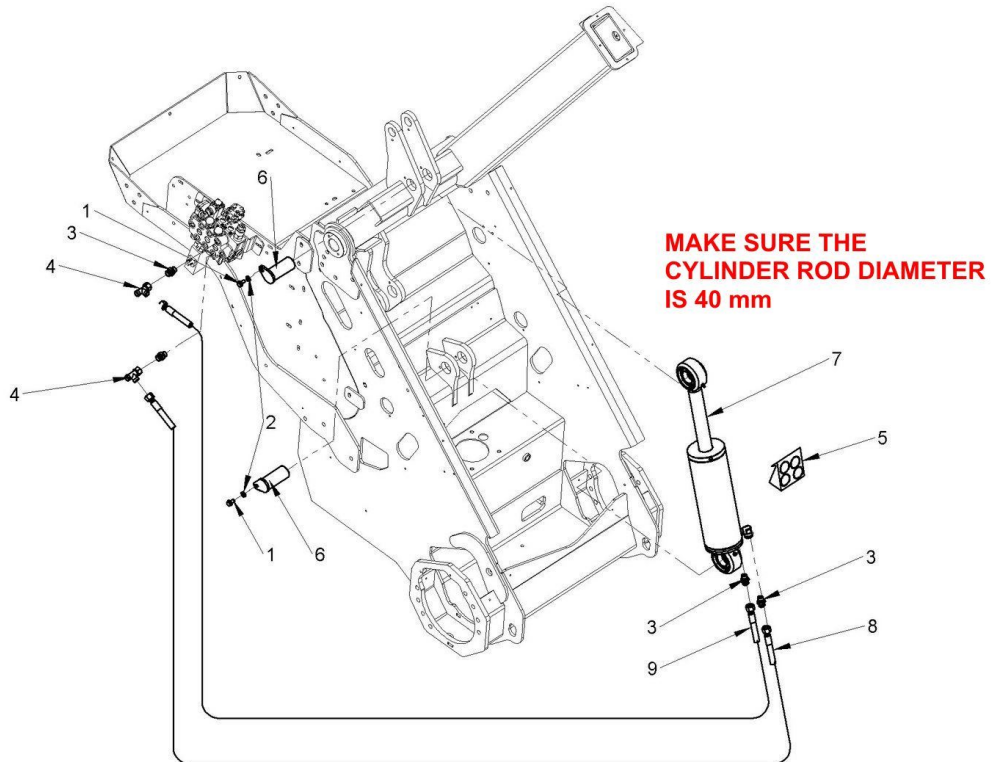
Draft and part list report
Serial n / code M331598 / C967300
Description MULTIONE SD 9.5

17	FF180/AV.18.0031.01	RELAY 12V	1.00000
18	FF180/PANA CM1-D-12V	RELAY 12V	2.00000
19	FF180/0034.0161	CICALINO ACUSTICO	1.00000
20	FF180/08700058.00	STRUMENTO MULTIFUNZIONE	1.00000



Component list [TAV. 23 ELECTRIC PARTS]

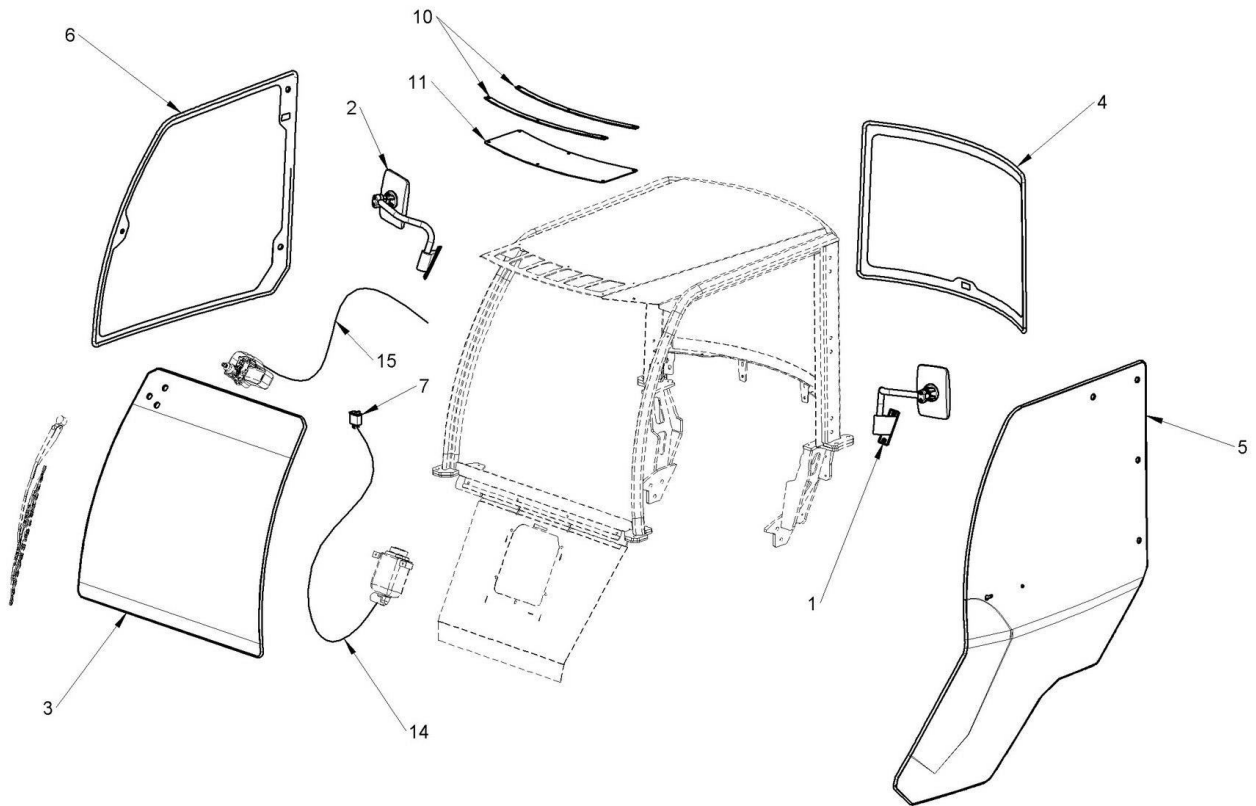
Pos.	Code	Description	Q.ty
1	FF163/119650-77911	GLOW RELAY FOR YANMAR ENGINE	1.00000
2	FF163/128300-77920	GLOW PLUG TIMER HC0108	1.00000
3	FF163/129211-77920	ELETTRO STOP TIMER HC0119	1.00000
4	FF180/0005.0061	IGNITION SWITCH for S500/S600/SL800/GT900	1.00000
5	FF180/30.14.10021	{{>desc}}	1.00000
6	FF180/30.45.09448	POWER RELAY 12V/70A	1.00000
7	FF180/30.45.52003	RELY 12 VOLT WITH DIODE INSIDE	1.00000
8	FF180/30.45.520004	{{>desc}}	2.00000
9	FF180/01171028	RELE' 12V FOR JOYSTICK 11 FUNCTIONS	1.00000
10	FF180/3013895	{{>desc}}	1.00000
11	FF180/08700058.00	LCD DECK BLU DIAL 5->10 SER. YANMAR	1.00000



Component list [TAV. 30 M1 9 SELF LEVELING CYLINDER]

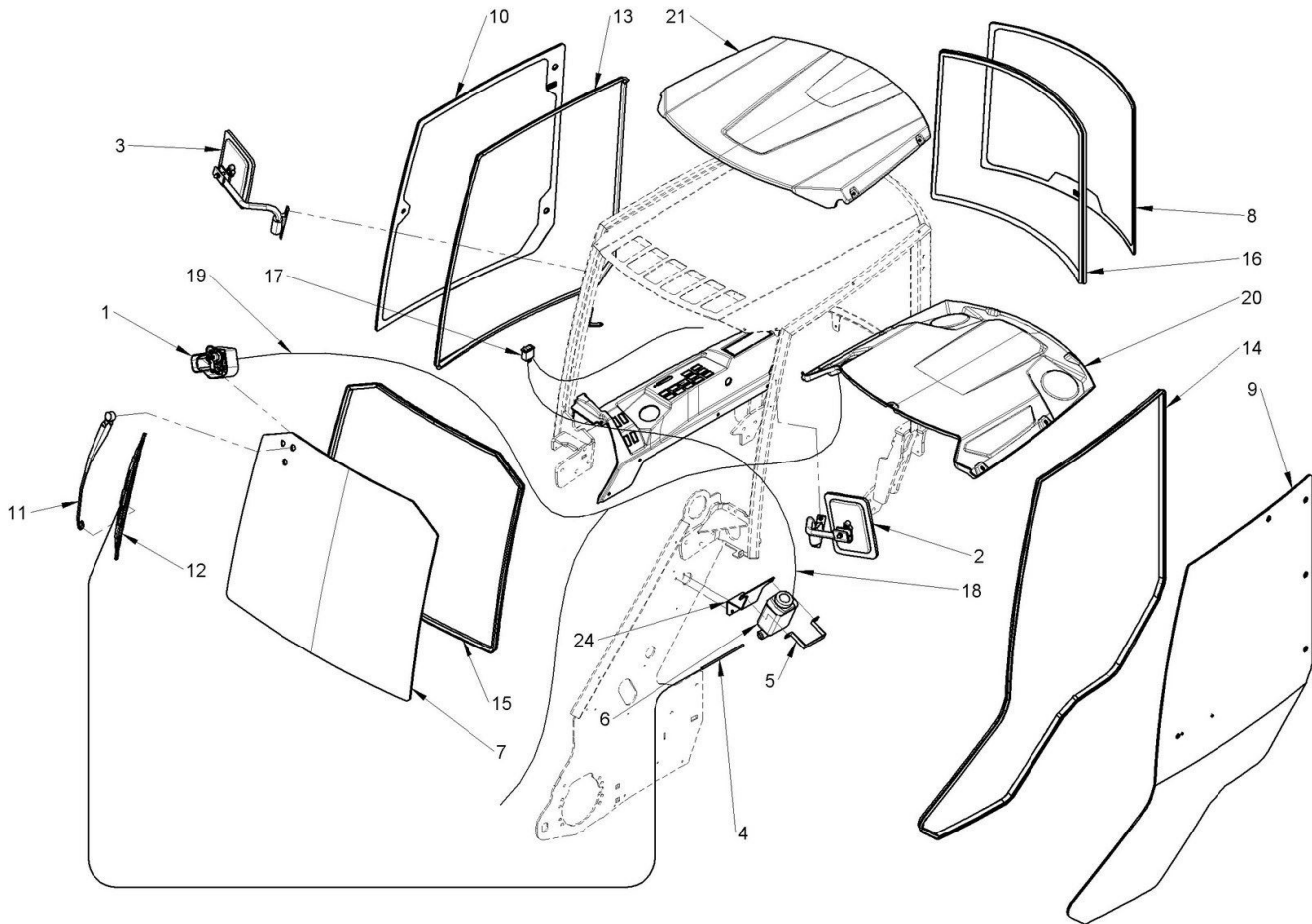
Pos.	Code	Description	Q.ty
1	C019201	HEXAGON FLANGE BOLT M8x16 DIN 6921	2.00000
2	C023041	NORD LOCK WASHER M8	2.00000
3	C033001	NIPPLES 3/8" G / 12L	5.00000
4	C033032	T-CONNECTION F-M-M 12L	2.00000
5		{{>desc}}	1.00000
6	C281765	FLANGED PIN 140 L=90	2.00000
7	C282701	100-40-203 SELF LEVELING CYLINDER M1 9/SD 9	1.00000
8	C810382/24	TUBO 3/8, L=1440, FD 12L, FD 12LHOSE 3/8, L=1440, FD 12L, FD 12L	1.00000
9	C810382/25	TUBO 3/8, L=1590, FD 12L, FD 12LHOSE 3/8, L=1590, FD 12L, FD 12L	1.00000

BEFORE ORDERING AFTER MARKET CAB PARTS CHECK TABLE 70



Component list [TAV. 32 M1 SD GLASS CABIN]

Pos.	Code	Description	Q.ty
1	C028021	LEFT REAR VIEW MIRROR FOR S600/SL800/GT900 CABIN	1.00000
2	C028022	RIGHT REAR VIEW MIRROR FOR S600/SL800/GT900 CABIN	1.00000
3	C034256	WINDSCREEN GLASS WITH SEAL M1 6->9	1.00000
4	C034257	REAR GLASS WITH SEAL M1 SD 6->9	1.00000
5	C034258	DOOR GLASS WITH SEAL M1 SD 6->9	1.00000
6	C034259	RIGHT SIDE GLASS WITH SEAL M1 SD 6->9	1.00000
7	C036161	WINDSCREEN WASHER SWITCH	1.00000
8	C038031	WATER PUMP WIRING FOR WIPER M1	1.00000
9	C038093	WIPER WIRING	1.00000
10	C282352	ROOF PLEXIGLASS FIXING PLATE	2.00000
11	C283051	ROOF PLEXIGLASS	1.00000



Component list [TAV. 32 M1 SD GLASS CABIN KIT (OPTIONAL)]

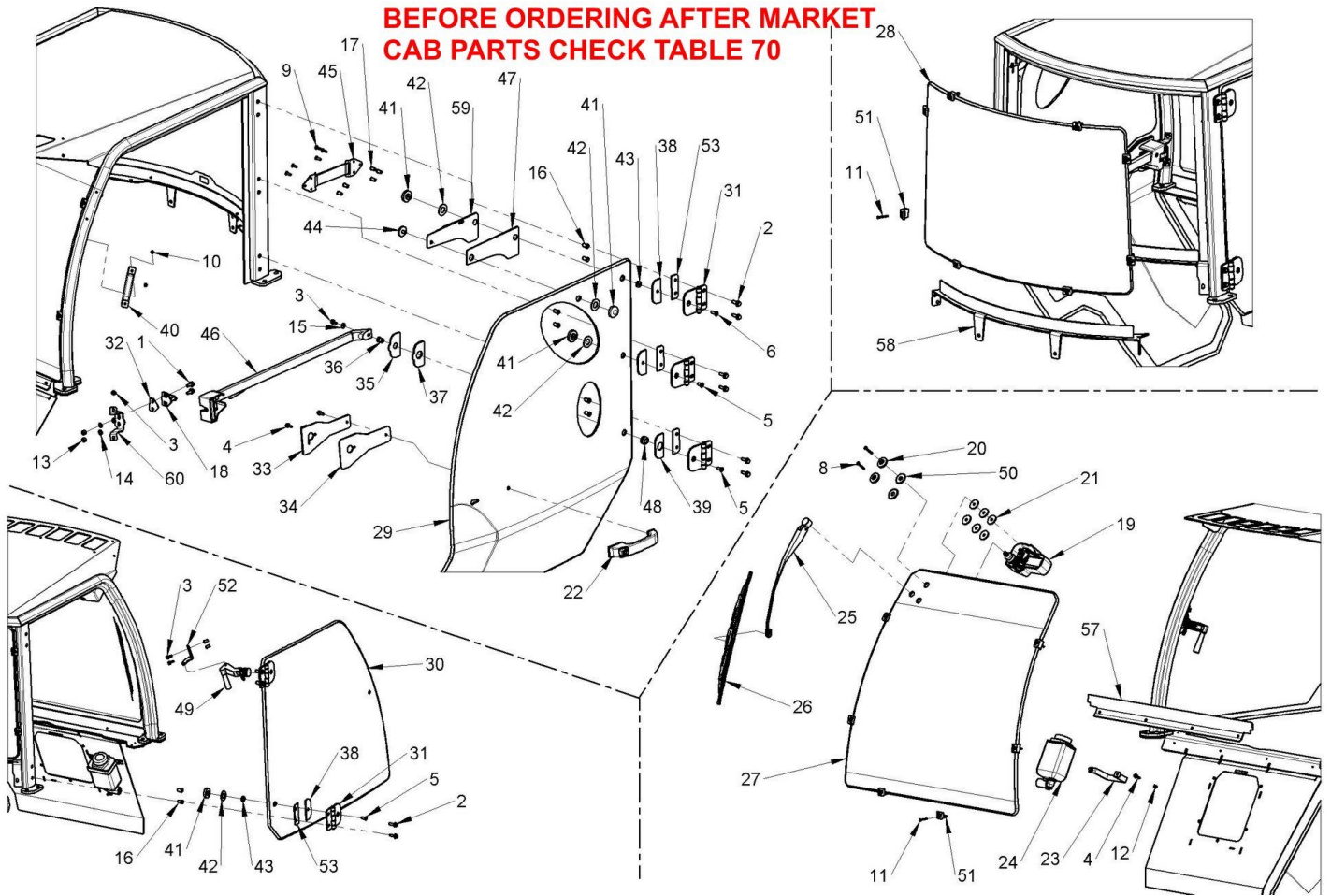
Pos.	Code	Description	Q.ty
1	C034053	WINDSCREEN WIPER ENGINE ITG 12V 90 ¹ FOR CABIN	1.00000
2	C028021	LEFT REAR VIEW MIRROR FOR S600/SL800/GT900 CABIN	1.00000
3	C028022	RIGHT REAR VIEW MIRROR FOR S600/SL800/GT900 CABIN	1.00000
4	C034082	GLASS WASHER PIPE TRANSPARENT 4X7	1.00000
5	C034090	COOLANT TANK BRACKET	1.00000
6	C034170	WIND SCREEN WASHER WATER TANK	1.00000
7	C034181	WINDSCREEN GLASS WITH SEAL M1 6->10	1.00000
8	C034182	REAR GLASS WITH SEAL M1 6->10	1.00000
9	C034258	DOOR GLASS WITH SEAL M1 SD 6->9	1.00000
10	C034184	RIGHT SIDE GLASS WITH SEAL M1 6->10	1.00000
11	C034190	WIPER ARM FOR CABIN 5 -> 10	1.00000
12	C034191	WIPER BRUSH FOR CABIN 5 -> 10	1.00000
13	C035015	SNAP SEAL FOR WINDOWS	32.00000
14	C035015	SNAP SEAL FOR WINDOWS	44.00000
15	C035015	SNAP SEAL FOR WINDOWS	31.00000
16	C035015	SNAP SEAL FOR WINDOWS	28.00000



Draft and part list report
Serial n / code M331598 / C967300
Description MULTIONE SD 9.5

17	C036161	WINDSCREEN WASHER SWITCH	1.00000
18	C038031	WATER PUMP WIRING FOR WIPER M1	1.00000
19	C038093	WIPER WIRING	1.00000
20	C041423	UNDER ROOF COVER	1.00000
21	C041425	OVER ROOF COVER	1.00000
22	C041429	FRONT LEFT LIGHT SUPPORT	1.00000
23	C041436	RIGHT DASHBOARD	1.00000
24	C281601	PAN WIDESCREEEN WASHER SUPPORT	1.00000

**BEFORE ORDERING AFTER MARKET
 CAB PARTS CHECK TABLE 70**



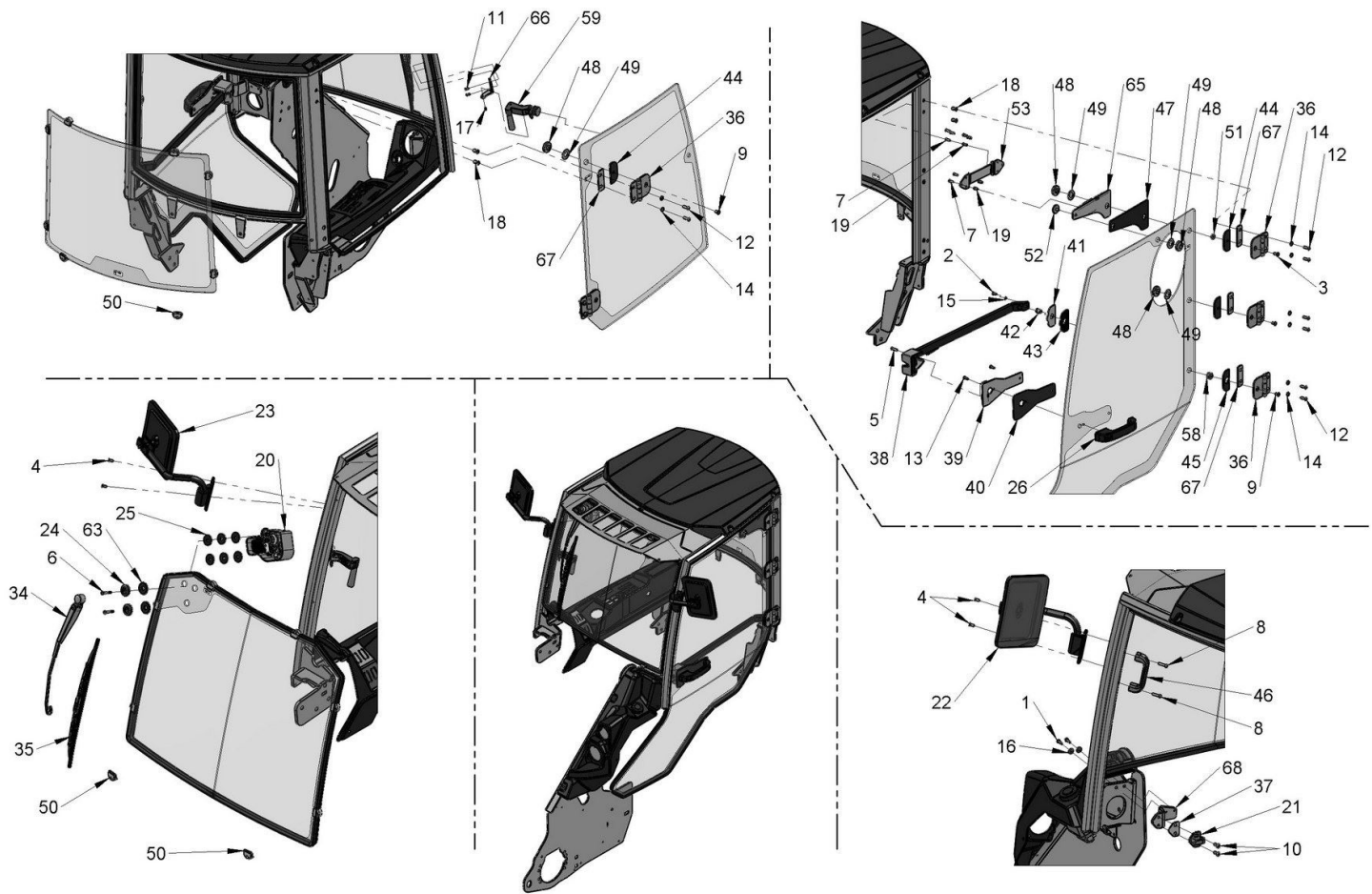
Component list [TAV. 33 M1 SD CABIN DETAILS]

Pos.	Code	Description	Q.ty
1	C019202	HEXAGON FLANGE BOLT M8X20 DIN 6921	2.00000
2	C019203	HEXAGON FLANGE BOLT M8X25 ISO 1665	10.00000
3	C019211	M6x16 BOLT UNI 1665	5.00000
4	C019212	M6x20 BOLT UNI 1665	4.00000
5	C020155	M8X20 SCREW UNI5933	4.00000
6	C020159	SCREW TSPEI 10.9 M8x25 ZB UNI5933	1.00000
7	C020167	HEXAGON SOCKET COUNTERSUNK HEAD CAP SCREW 10.9 M6x30 ZN UNI5933	1.00000
8	C020168	SCREW TSPEI 10.9 M6x40 ZN UNI5933	2.00000
9	C020187	SCREW TSPEI 10.9 M6X20 UNI5933 ZN	5.00000
10	C020212	HEXAGON SOCKET HEAD CAP SCREW M6X25 ZB UNI EN ISO 4762	2.00000
11	C020271	SCREW TSPTC 10.9 M4x35 UNI5933	14.00000
12	C021104	PREVAILING TORQUE-TYPE HEXAGONAL NUTS WITH POLYAMIDE RING M6 UNI 7473	2.00000
13	C021502	SLOTTED AND CASTLE HEXAGON NUTS M8 DIN980	2.00000
14	C023071	PLAIN WASHER M8 8.4x16x1.6 UNI6592	2.00000
15	C023110	PLAIN WASHER LARGE SERIES M6 6.5X18X1.5 DIN9021	1.00000
16	C028270	THREAD INSERT M8	10.00000



Draft and part list report
Serial n / code M331598 / C967300
Description MULTIONE SD 9.5

17	C028271	THREAD INSERT M6	9.00000
18	C034023	CABIN DOOR HOLD LATCH	1.00000
19	C034053	WINDSCREEN WIPER ENGINE ITG 12V 90° FOR CABIN	1.00000
20	C034070	PLASTIC STUD FOR GLASS CABIN	2.00000
21	C034072	RUBBER WASHER FOR GLASS CABIN	6.00000
22	C034078	DOOR OUTER LOCK FOR	1.00000
23	C034090	COOLANT TANK BRACKET	1.00000
24	C034170	WIND SCREEN WASHER WATER TANK	1.00000
25	C034190	WIPER ARM FOR CABIN 5 -> 10	1.00000
26	C034191	WIPER BRUSH FOR CABIN 5 -> 10	1.00000
27	C034256	WINDSCREEN GLASS WITH SEAL M1 6->9	1.00000
28	C034257	REAR GLASS WITH SEAL M1 SD 6->9	1.00000
29	C034258	DOOR GLASS WITH SEAL M1 SD 6->9	1.00000
30	C034259	RIGHT SIDE GLASS WITH SEAL M1 SD 6->9	1.00000
31	C034500	METAL HINGE	5.00000
32	C034501	UNDER HOLD LATCH PLASTIC	1.00000
33	C034503	LOCK HOLDER PLATE	1.00000
34	C034504	INNER DOOR HANDLE SEAL	1.00000
35	C034505	SHAPE BAR LOCK HOLDER PLATE	1.00000
36	C034506	KNURLED BUSH	1.00000
37	C034507	REAR BAR RUBBER	1.00000
38	C034508	SMALL HOLE HINGE RUBBER	4.00000
39	C034509	BIG HOLE HINGE RUBBER	1.00000
40	C034510	GRAB HANDLE	1.00000
41	C034516	INNER STUD CABIN	5.00000
42	C034517	Ø40-Ø20-1,5 SEAL	5.00000
43	C034519	Ø20-Ø8-6 SPACER	3.00000
44	C034522	STUD WITH M8X13 PIN	1.00000
45	C034523	{{>desc}}	1.00000
46	C034531	LOCK BAR SHAPE	1.00000
47	C034532	INNER BELT SEAL	1.00000
48	C035038	RUBBER TOP FOR CABIN GLASSES	1.00000
49	C035041	JERKY COMPASS OPENING FOR CABIN	1.00000
50	C274255	GLASS SEAL FOR CABIN	2.00000
51	C274258	GLASS HOLDER FOR CABIN	14.00000
52	C282324	JERKY COMPASS BRACKET	1.00000
53	C282369	HINGE SPACER FOR CABIN M1 6 -> 10	5.00000
54	C284470	REMOVABLE ROLL-BAR FRAME	1.00000
55	C284603	{{>desc}}	1.00000
56	C284608	{{>desc}}	1.00000
57	C284615	FRONTAL GLASS SUPPORT	1.00000
58	C284620	REMOVABLE ROLL-BAR FRAME	1.00000
59	C284625	DOOR BELT FIXING	1.00000
60	C284626	DOOR LATCH SUPPORT	1.00000



Component list [TAV. 33 M1 SD GLASS CABIN DETAILS (OPTIONAL)]

Pos.	Code	Description	Q.ty
1	C020051	ISO 4017 M6x20 SCREW	2.00000
2	C020145	HEXAGON SOCKET OVAL HEAD SCREW M6x16 ISO 7380	12.00000
3	C020155	M8X20 SCREW UNI5933	1.00000
4	C020156	HEXAGON SOCKET COUNTERSUNK HEAD CAP SCREW M6x16 UNI 5933	4.00000
5	C020167	HEXAGON SOCKET COUNTERSUNK HEAD CAP SCREW 10.9 M6x30 ZN UNI5933	1.00000
6	C020168	SCREW TSPEI 10.9 M6x40 ZN UNI5933	2.00000
7	C020187	SCREW TSPEI 10.9 M6X20 UNI5933 ZN	5.00000
8	C020212	HEXAGON SOCKET HEAD CAP SCREW M6X25 ZB UNI EN ISO 4762	2.00000
9	C020295	SCREW TSP 10.9 M8X16	4.00000
10	C020541	HEXAGON SOCKET OVAL HEAD SCREW M8x20 ISO 7380	2.00000
11	C020542	HEXAGON SOCKET OVAL HEAD SCREW M6x12 ZN ISO 7380	2.00000
12	C020543	HEXAGON SOCKET OVAL HEAD SCREW M8x25 ISO 7380	10.00000
13	C020548	HEXAGON SOCKET OVAL HEAD SCREW M6x20 ZN UNI/ISO 7380	2.00000
14	C023041	NORD LOCK WASHER M8	10.00000
15	C023090	FLAT WASHER M6 6.4x12x1.6 UNI 6592	1.00000
16	C023110	PLAIN WASHER LARGE SERIES M6 6.5X18X1.5 DIN9021	13.00000



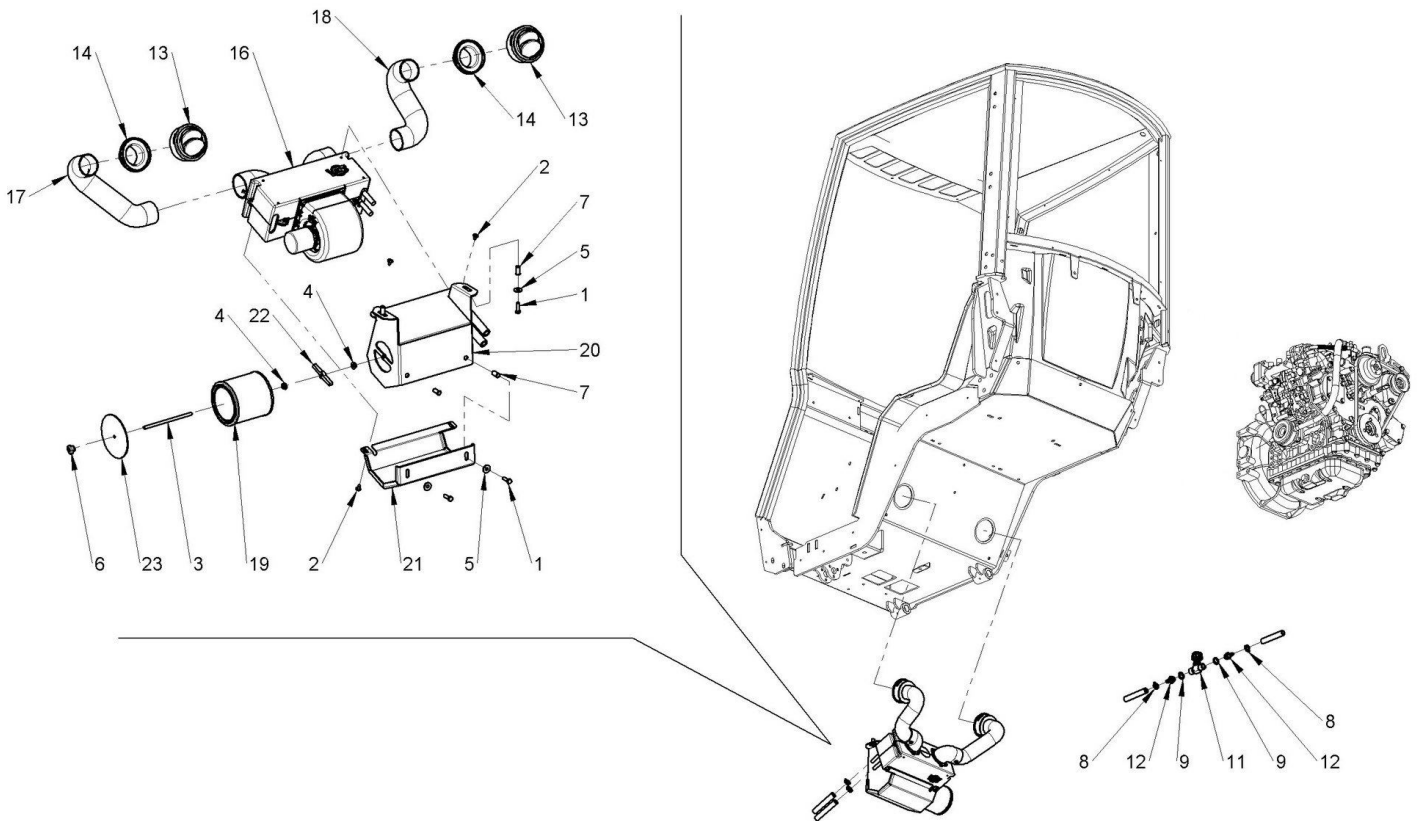
Draft and part list report
Serial n / code M331598 / C967300
Description MULTIONE SD 9.5

17	C028266	SPRING PIN 5X16	1.00000
18	C028270	THREAD INSERT M8	10.00000
19	C028271	THREAD INSERT M6	17.00000
20	C034053	WINDSCREEN WIPER ENGINE ITG 12V 90° FOR CABIN	1.00000
21	C034023	CABIN DOOR HOLD LATCH	1.00000
22	C028021	LEFT REAR VIEW MIRROR FOR S600/SL800/GT900 CABIN	1.00000
23	C028022	RIGHT REAR VIEW MIRROR FOR S600/SL800/GT900 CABIN	1.00000
24	C034070	PLASTIC STUD FOR GLASS CABIN	2.00000
25	C034072	RUBBER WASHER FOR GLASS CABIN	6.00000
26	C034078	DOOR OUTER LOCK FOR	1.00000
27	C034082	GLASS WASHER PIPE TRANSPARENT 14X7	1.00000
28	C034090	COOLANT TANK BRACKET	1.00000
29	C034170	WIND SCREEN WASHER WATER TANK	1.00000
30	C034181	WINDSCREEN GLASS WITH SEAL M1 6->10	1.00000
31	C034182	REAR GLASS WITH SEAL M1 6->10	1.00000
32	C034258	DOOR GLASS WITH SEAL M1 SD 6->9	1.00000
33	C034184	RIGHT SIDE GLASS WITH SEAL M1 6->10	1.00000
34	C034190	WIPER ARM FOR CABIN 5 -> 10	1.00000
35	C034191	WIPER BRUSH FOR CABIN 5 -> 10	1.00000
36	C034500	METAL HINGE	5.00000
37	C034501	UNDER HOLD LATCH PLASTIC	1.00000
38	C034502	LOCK BAR SHAPE	1.00000
39	C034503	LOCK HOLDER PLATE	1.00000
40	C034504	INNER DOOR HANDLE SEAL	1.00000
41	C034505	SHAPE BAR LOCK HOLDER PLATE	1.00000
42	C034506	KNURLED BUSH	1.00000
43	C034507	REAR BAR RUBBER	1.00000
44	C034508	SMALL HOLE HINGE RUBBER	4.00000
45	C034509	BIG HOLE HINGE RUBBER	1.00000
46	C034510	GRAB HANDLE	1.00000
47	C034515	GAS SPRING HOLDER SEAL	1.00000
48	C034516	INNER STUD CABIN	5.00000
49	C034517	Ø40-Ø20-1,5 SEAL	5.00000
50	C274258	GLASS HOLDER FOR CABIN	16.00000
51	C034519	Ø20-Ø8-6 SPACER	1.00000
52	C034522	STUD WITH M8X13 PIN	1.00000
53	C034523	{{>desc}}	1.00000
54	C035015	SNAP SEAL FOR WINDOWS	1.00000
55	C035015	SNAP SEAL FOR WINDOWS	1.00000
56	C035015	SNAP SEAL FOR WINDOWS	1.00000
57	C035015	SNAP SEAL FOR WINDOWS	1.00000
58	C035038	RUBBER TOP FOR CABIN GLASSES	1.00000
59	C035041	JERKY COMPASS OPENING FOR CABIN	1.00000
60	C036161	WINDSCREEN WASHER SWITCH	1.00000
61	C041423	UNDER ROOF COVER	1.00000
62	C041425	OVER ROOF COVER	1.00000



Draft and part list report
Serial n / code M331598 / C967300
Description MULTIONE SD 9.5

63	C274255	GLASS SEAL FOR CABIN	2.00000
64	C281601	PAN WIDESCREEN WASHER SUPPORT	1.00000
65	C282309	DOOR BELT FIXING	1.00000
66	C282324	JERKY COMPASS BRACKET	1.00000
67	C282369	HINGE SPACER FOR CABIN M1 6 -> 10	5.00000
68	C282396	{{>desc}}	1.00000



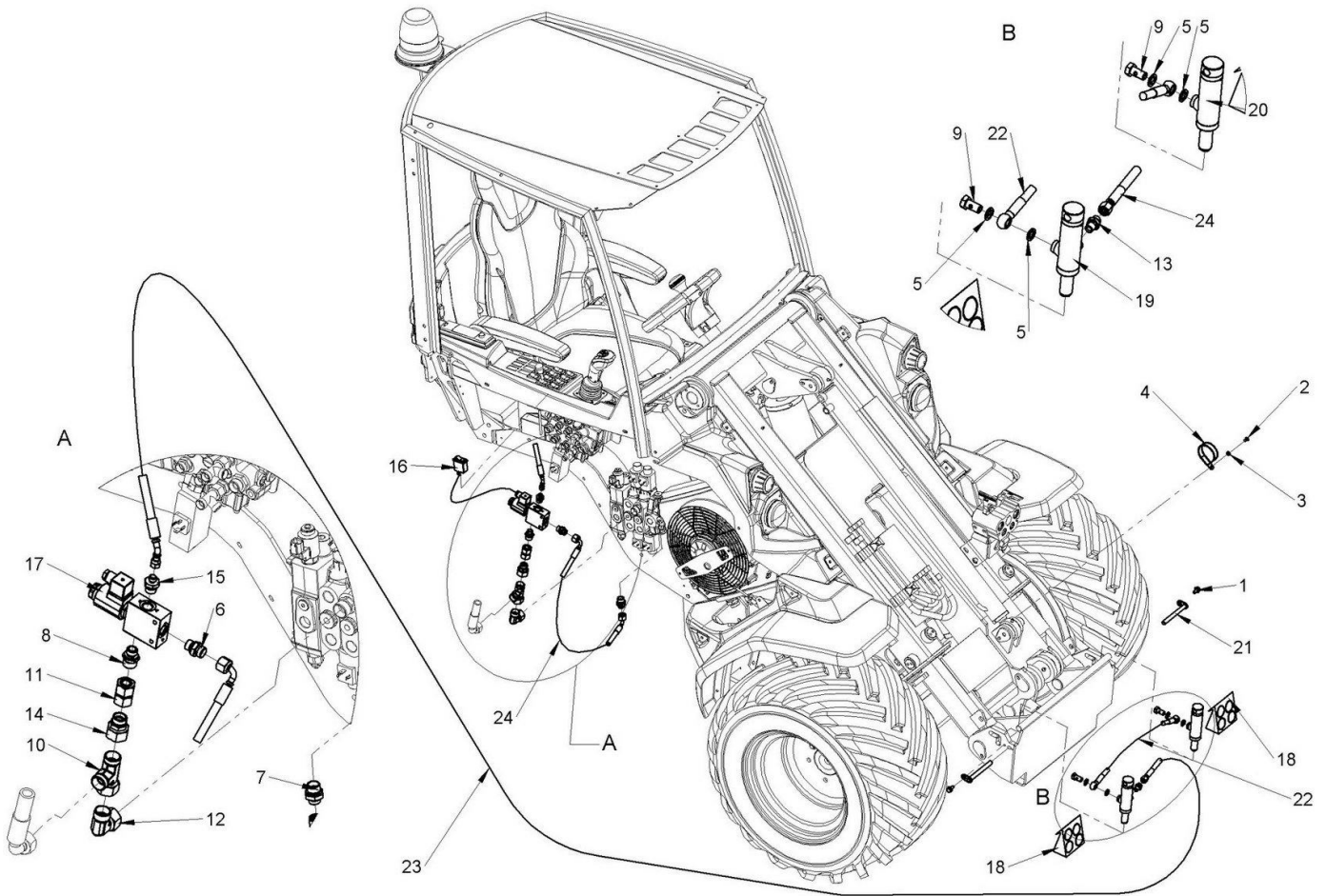
Component list [TAV. 34 SD 7 CABIN HEATING (OPTIONAL)]

Pos.	Code	Description	Q.ty
1	C020051	ISO 4017 M6x20 SCREW	4.00000
2	C020554	SELF THREADER SCREW 4.8X13	6.00000
3	C020651	THREADED RODS M6 L=130	1.00000
4	C021018	NUT E 6S M6 SERPRESS	2.00000
5	C023110	PLAIN WASHER LARGE SERIES M6 6.5X18X1.5 DIN9021	4.00000
6	C028028	THREE-LOBED HANDWHEEL M6 PASS-THROUGH	1.00000
7	C028271	THREAD INSERT M6	4.00000
8	C029038	STEEL BAND 10-16	6.00000
9	C030547	BONDED WASHER 3/8" GAS	2.00000
10	C033304	HOSE FITTING 1/4" - 10mm	1.00000
11	C034005	METAL FAUCET FOR CAB HEATING	1.00000
12	C034006	STRAIGHT FITTING DIA. 10 MM - 3/8"	2.00000
13	C034008	1 76 mm AIR PORT	2.00000
14	C034009	AIR PORT REDUCTION 82->76/45 mm	2.00000
15	C035034	HOT WATER RUBBER HOSE 10X17	6.00000
16	C035149	HEATHER MULTIONE M1 5->10, 6SD->9SD	1.00000



Draft and part list report
Serial n / code M331598 / C967300
Description MULTIONE SD 9.5

17	C035160	HOT AIR HOSE Ø45	0.28000
18	C035160	HOT AIR HOSE Ø45	0.26000
19	C039170	HEATING CARTRIDGE FILTER	1.00000
20	C282343	HEATHER BOX	1.00000
21	C282346	BOX HEATER CAP	1.00000
22	C282347	HEATER AIR FILTER CENTERING	1.00000
23	C282348	AIR HEATER FILTER CAP	1.00000



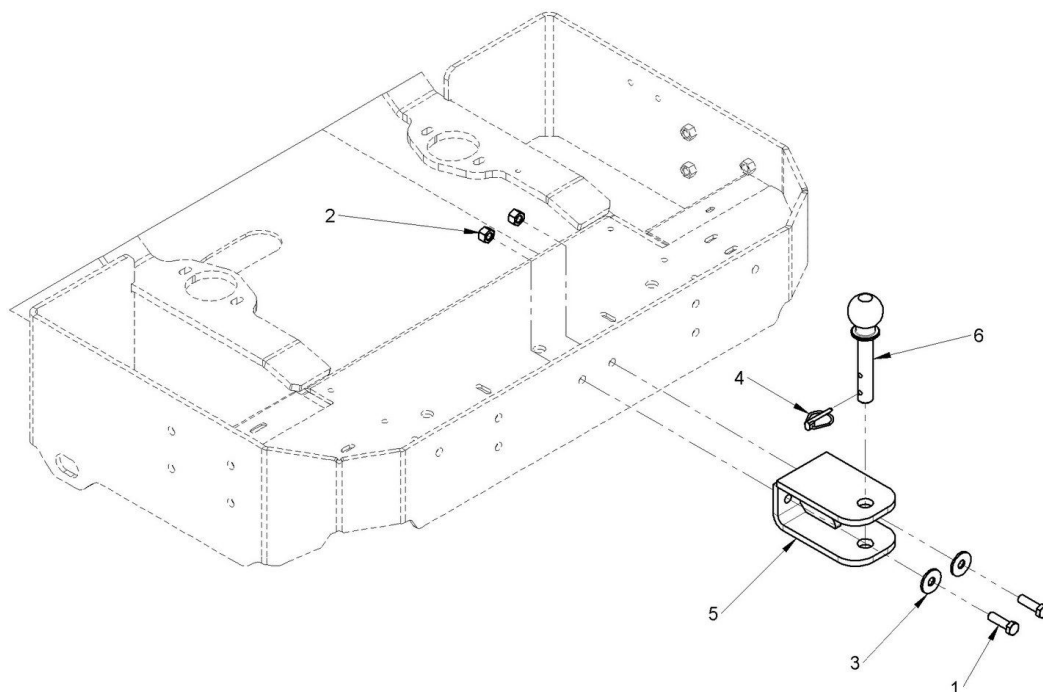
Component list [TAV. 35 M1 9-10 AUTOMATIC COUPLING PLATE]

Pos.	Code	Description	Q.ty
1	C019201	HEXAGON FLANGE BOLT M8x16 DIN 6921	2.00000
2	C020542	HEXAGON SOCKET OVAL HEAD SCREW M6x12 ZN ISO 7380	1.00000
3	C023090	FLAT WASHER M6 6.4x12x1.6 UNI 6592	1.00000
4	C029033	HOSE CLAMP WITH RUBBER Ø30	1.00000
5	C030548	BONDED WASHER 1/4" GAS	4.00000
6	C033001	NIPPLES 3/8" G / 12L	1.00000
7	C033002	NIPPLES 1/2" G / 12L	1.00000
8	C033010	3/8" -15L MALE JOINT	1.00000
9	C033015	PERFORED BOLT 1/4"	2.00000
10	C033084	TEES F-M-M 18L	1.00000
11	C033116	STRAIGHT JOINT FG15L - FG15L	1.00000
12	C033132	JOINT 90° FG90L / M18L	1.00000
13	C033134	NIPPLES 1/4GAS-8L	1.00000
14	C033161	F 18L - M 15L ADAPTOR	1.00000
15	C033173	{{>desc}}	1.00000
16	C036167	AUTOMATIC LOCKING COUPLING PLATE SWITCH	1.00000



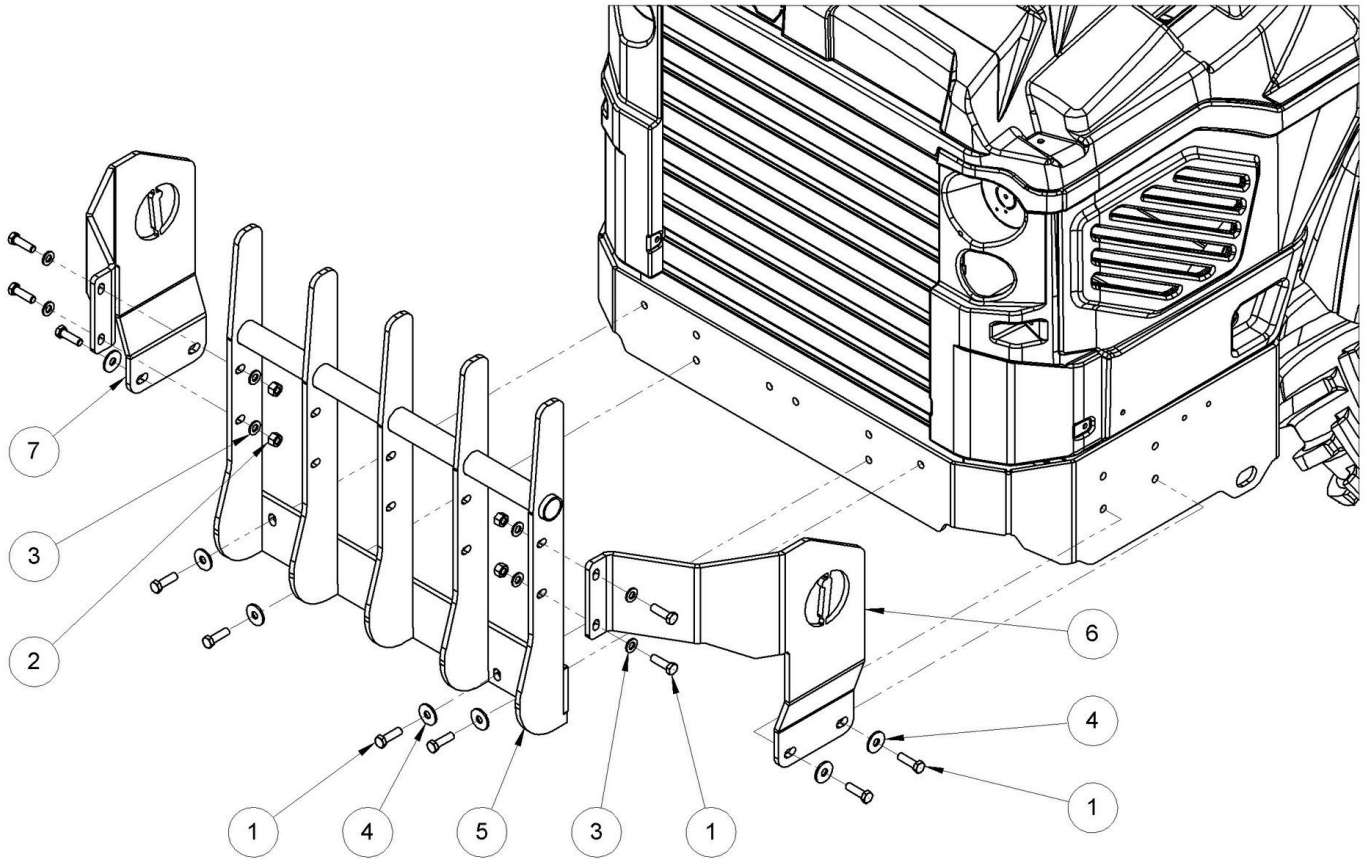
Draft and part list report
Serial n / code M331598 / C967300
Description MULTIONE SD 9.5

17	C036621	ELECTROVALVE 3WAY G3/8 12V DC	1.00000
18	C036811	SEAL KIT FOR CYLINDER C272286-C272287	2.00000
19	C272286	RIGHT LOCKING CYLINDER > 2010	1.00000
20	C272287	LEFT LOCKING CYLINDER > 2010	1.00000
21	C272288	Ø12x118 PIN	2.00000
22	C810258/4	TUBO 1/4, L=400, OCCHIO 1/4-OCCHIO 1/4, ORIENT. 0 HOSE 1/4, L=400, BANJO 1/4- BANJO 1/4, ORIENT. 0	1.00000
23	C810379/1	TUBO 1/4, L=3800, F45 8L-FD 8LHOSE 1/4, L=3800, F45 8L-FD 8L	1.00000
24	C810379/2	TUBO 1/4, L=400, F90 12L-F90 12LHOSE 1/4, L=400, F90 12L-F90 12L	1.00000



Component list [TAV. 46 TOW HOOK]

Pos.	Code	Description	Q.ty
1	C020139	HEXAGON HEAD SCREW M12x40 UNI 4017	2.00000
2	C021504	SELF BRAKING NUT M12 DIN 980	2.00000
3	C023105	WASHER FOR M12 13x37x3 DIN9021 UNI6593	2.00000
4	C028200	LOCK PIN 5 MM	1.00000
5	C277160	M1 2-9-10-9SD-GT900 TRAILER HOOK	1.00000
6	C802049	TOW HOOK PIN	1.00000



Component list [TAV. 49 M1 9-10-9SD REAR BUMPER]

Pos.	Code	Description	Q.ty
1	C020139	HEXAGON HEAD SCREW M12x40 UNI 4017	12.00000
2	C021504	SELF BRAKING NUT M12 DIN 980	4.00000
3	C023102	PLAIN WASHER M12 UNI 6592	8.00000
4	C023105	WASHER FOR M12 13x37x3 DIN9021 UNI6593	8.00000
5	C282761	REAR BULLBAR M1 9-10	1.00000
6	C284464	{{>desc}}	1.00000
7	C284465	{{>desc}}	1.00000

PER STRUMENTO ANALOGICO
 FOR ANALOG DECK



1

PER STRUMENTO LCD
 FOR LCD DECK



2

ALLARME SONORO
 BUZZER ALLARM



3

Component list [TAV. 57 WATER TEMP SENSOR]

Pos.	Code	Description	Q.ty
1	FF180/U2M02A003	WATER TEMPERATURE SENSOR, ANALOG DECK	1.00000
2	FF180/U2M02A011	WATER TEMPERATURE SENSOR, LCD DECK	1.00000
3	FF163/121250-44901	WATER TEMPERATURE SENSOR - BUZZER ALARM	1.00000

CI SONO TRE TIPI DI JOYSTICK, 1 CON CONNETTORE TONDO, 2 CON CONNETTORE RETTANGOLARE "DEUTSCH".
 VERIFICATE QUAL'È PRESENTE SULLA VOSTRA MACCHINA, E RIFERITEVI A QUESTA TAVOLA PER ORDINARE IL PEZZO DI RICAMBIO CORRETTO

THERE ARE 3 TYPES OF JOYSTICK, 1 WITH A ROUND CONNECTOR AND 2 WITH A "DEUTSCH" RECTANGULAR CONNECTOR.
 VERIFY WHICH ONE IS INSTALLED ON YOUR MACHINE, AND REFER TO THIS DRAWING TO ORDER THE CORRECT SPARE PART.

CONNETTORE TONDO
 MONTATO SU TUTTE LE MACCHINE

ROUND SHAPE CONNECTOR
 INSTALLED ON ALL MACHINE

C030642



CONNETTORE "DEUTSCH"
 MONTATO SU 7.3, 8.4, 9.5, 10.8, 8.5, 9.6, 10.9

"DEUTSCH" CONNECTOR
 INSTALLED ON 7.3, 8.4, 9.5, 10.8, 8.5, 9.6, 10.9

C030647



CONNETTORE "DEUTSCH"
 MONTATO SU 5.3, 6.3, SD6, SD7, SD8, SD9

"DEUTSCH" CONNECTOR
 INSTALLED ON 5.3, 6.3, SD6, SD7, SD8, SD9

C030648



Component list [TAV. 59 JOYSTICK MULTI]

Pos.	Code	Description	Q.ty
1	C030642	MULTIONE JOYSTICK HANDLE, MULTIFUNCTION	1.00000
2	C030647	MULTIONE JOYSTICK HANDLE, MULTIFUNCTION	1.00000
3	C030648	MULTIONE JOYSTICK HANDLE, MULTIFUNCTION	1.00000

TASTI ED INTERRUTTORI / BUTTON AND SWITCHES

TAV. 60



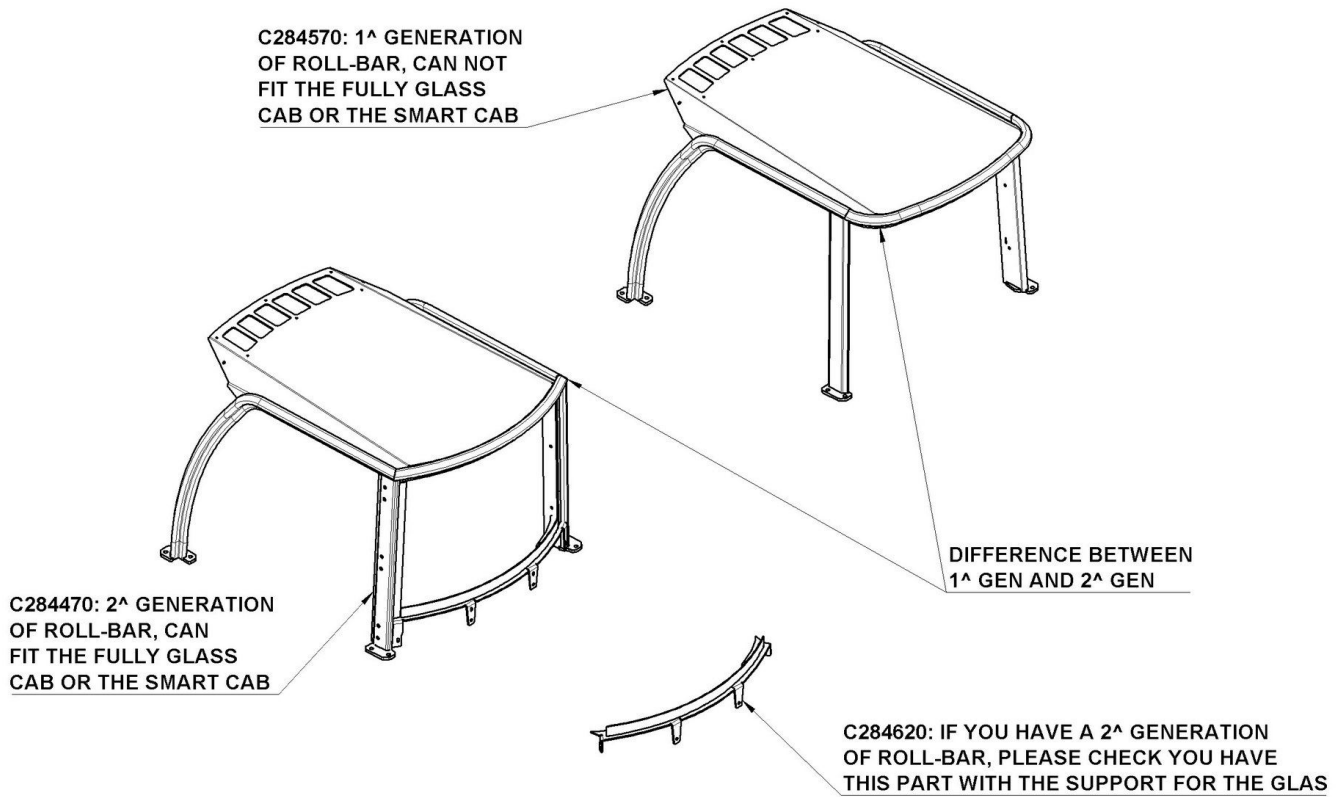
Component list [TAV. 60 SWITCHES]

Pos.	Code	Description	Q.ty
1	C036153	HORN SWITCH	1.00000
2	C036154	WORK LIGHT SWITCH	1.00000
3	C036155	FRONT ELECTRIC PLUG SWITCH	1.00000
4	C036156	HAND BRAKE SWITCH	1.00000
5	C036157	DIFFERENTIAL LOCK SWITCH	1.00000
6	C036158	SLOW/FAST GEAR SWITCH	1.00000
7	C036159	ADDITIONAL WORK LIGHT SWITCH	1.00000
8	C036160	SWITCH FAN	1.00000
9	C036161	WINDSCREEN WASHER SWITCH	1.00000
10	C036162	FLASHING BEACON SWITCH	1.00000
11	C036163	HEATED SEAT SWITCH	1.00000
12	C036164	FLOATING BOOM SWITCH	1.00000
13	C036165	REAR OUTLET SWITCH	1.00000
14	C036166	ROAD LIGHT SWITCH	1.00000
15	C036167	AUTOMATIC LOCKING COUPLING PLATE SWITCH	1.00000



Draft and part list report
Serial n / code M331598 / C967300
Description MULTIONE SD 9.5

16	C036168	HAZARD LIGHTS SWITCH	1.00000
17	C036169	BLINKER LIGHT SWITCH	1.00000
18	FF180/17.153.000	HORN BUTTON	1.00000
19	FF180/106616	HAZARD LIGHT BUTTON	1.00000
20	C036170	BEACON LIGHT BUTTON	1.00000
21	FF180/30.34.08956	LEVER SWITCH ON-OFF WITH RUBBER	1.00000
22	FF180/30.34.10306	LEVER SWITCH ON-OFF-ON WITH RUBBER	1.00000
23	C036171	TORQUE DIVIDER SWITCH	1.00000
24	C036172	ROADLIGHT AND TURN SIGNAL INDICATOR	1.00000



Component list [TAV. 70 DIFFERENCE BETWEEN ROLL-BAR 1ST AND 2ND GENERATION]

Pos.	Code	Description	Q.ty
------	------	-------------	------



Draft and part list report
Serial n / code M331598 / C967300
Description MULTIONE SD 9.5

DECALCOMANIE / DECALS

Tav. 95

CODE	DESCRIZIONE	DESCRIPTION	NOTE
C042200	DECALCOMANIA GENERALE MACCHINE	GENERAL DECALS FOR MULTIONE	USED ON ALL MACHINES
C042202	DECALCOMANIA GENERALE PITTOGRAMMI MACCHINE	GENERAL SAFETY DECALS FOR MULTIONE	USED ON ALL MACHINES
C042111	DECAL LWA 98 DB	DECAL LWA 98 DB	USED ON: 4.2, 5.2, 6.3 SERIES, 7.2 7.3 SERIES, 6.3SD, 7.3SD, 8.4SD
C042110	DECAL LWA 99 DB	DECAL LWA 99 DB	USED ON: 5.3, 8.4 SERIES
C042109	DECAL LWA 100 DB	DECAL LWA 100 DB	USED ON: 1.1, 2.3, 9.5, 9.6, 10.9, 9.5SD
C042112	DECAL LWA 101 DB	DECAL LWA 101 DB	USED ON: 10.8
C042114	DECAL LPA 82 DB	DECAL LPA 82 DB	USED ON: 7.3 SERIES, 7.3SD
C042116	DECAL LPA 84 DB	DECAL LPA 84 DB	USED ON: 7.2, 6.3 SERIES, 6.3SD
C042117	DECAL LPA 85 DB	DECAL LPA 85 DB	USED ON: 1.1, 2.3, 4.2, 5.2, 8.4 SERIES, 10.8, 10.9, 8.4SD
C042102	DECAL LPA 86 DB	DECAL LPA 86 DB	USED ON: 9.5, 9.6, 9.5SD
C042100	DECAL LPA 87 DB	DECAL LPA 87 DB	USED ON: 5.3
C042437	DIAGRAMMA DI CARICO SERIE 2	M1 2 SERIES LOAD DIAGRAM	
C042443	DIAGRAMMA DI CARICO SERIE 4 - 5	M1 4 - 5 SERIES LOAD DIAGRAM	
C042429	DIAGRAMMA DI CARICO SERIE 6	M1 6 SERIES LOAD DIAGRAM	
C042430	DIAGRAMMA DI CARICO SERIE 7 - 8	M1 7 - 8 SERIES LOAD DIAGRAM	
C042431	DIAGRAMMA DI CARICO SERIE 9	M1 9 SERIES LOAD DIAGRAM	
C042432	DIAGRAMMA DI CARICO SERIE 10	M1 10 SERIES LOAD DIAGRAM	
C042440	DIAGRAMMA DI CARICO 6SD	M1 6SD LOAD DIAGRAM	
C042439	DIAGRAMMA DI CARICO 7SD - 8SD	M1 7SD - 8SD LOAD DIAGRAM	
C042438	DIAGRAMMA DI CARICO 9SD	M1 9SD LOAD DIAGRAM	
C042175	DECALCOMANIE M1 1.1	M1 1.1 DECAL	
C042436	DECALCOMANIE M1 2.3	M1 2.3 DECAL	
C042190	DECALCOMANIE M1 4.2	M1 4.2 DECAL	
C042189	DECALCOMANIE M1 5.2	M1 5.2 DECAL	
C042188	DECALCOMANIE M1 5.3	M1 5.3 DECAL	
C042412	DECALCOMANIE M1 6.3	M1 6.3 DECAL	
C042434	DECALCOMANIE M1 6.3+	M1 6.3+ DECAL	
C042413	DECALCOMANIE M1 6.3S	M1 6.3S DECAL	
C042433	DECALCOMANIE M1 7.2	M1 7.2 DECAL	
C042414	DECALCOMANIE M1 7.3	M1 7.3 DECAL	
C042415	DECALCOMANIE M1 7.3+	M1 7.3+ DECAL	
C042416	DECALCOMANIE M1 7.3S	M1 7.3S DECAL	
C042417	DECALCOMANIE M1 8.4	M1 8.4 DECAL	
C042427	DECALCOMANIE M1 8.4+	M1 8.4+ DECAL	
C042418	DECALCOMANIE M1 8.4S	M1 8.4S DECAL	
C042420	DECALCOMANIE M1 8.5	M1 8.5 DECAL	
C042442	DECALCOMANIE M1 8.5S	M1 8.5S DECAL	
C042421	DECALCOMANIE M1 9.5	M1 9.5 DECAL	
C042424	DECALCOMANIE M1 9.6	M1 9.6 DECAL	
C042425	DECALCOMANIE M1 10.8	M1 10.8 DECAL	
C042426	DECALCOMANIE M1 10.9	M1 10.9 DECAL	
C042422	DECALCOMANIE M1 SD 6.3	M1 SD 6.3 DECAL	
C042419	DECALCOMANIE M1 SD 7.3	M1 SD 7.3 DECAL	
C042423	DECALCOMANIE M1 SD 8.4	M1 SD 8.4 DECAL	
C042428	DECALCOMANIE M1 SD 9.5	M1 SD 9.5 DECAL	

Component list [TAV. 95 DECALS]

Pos.	Code	Description	Q.ty
1	C042200	GENERAL SAFETY DECALS FOR MULTIONE	1.00000
2	C042202	S/SL/GT SAFETY DECALS FOR MULTIONE	1.00000
3	C042111	DECALCOMANIA DECIBEL LWA 98 DB	1.00000
4	C042110	DECALCOMANIA DECIBEL LWA 99 DB	1.00000
5	C042109	DECALCOMANIA DECIBEL LWA 100 DB	1.00000
6	C042112	LWA 101 DB LABEL	1.00000
7	C042114	DECALCOMANIA DECIBEL LPA 82 DB	1.00000
8	C042116	LPA 84 DB LABEL	1.00000
9	C042117	LPA 85 DB LABEL	1.00000
10	C042102	DECALCOMANIA DECIBEL LPA 86 DB	1.00000
11	C042100	DECALCOMANIA DECIBEL LPA 87 DB	1.00000
12	C042437	M1 2 SERIES LOAD DIAGRAM DECAL	1.00000
13	C042443	M1 4-5 SERIES LOAD DIAGRAM DECAL	1.00000
14	C042429	{{>desc}}	1.00000
15	C042430	{{>desc}}	1.00000
16	C042431	{{>desc}}	1.00000



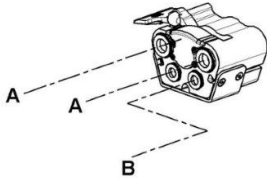
Draft and part list report
Serial n / code M331598 / C967300
Description MULTIONE SD 9.5

17	C042432	{{>desc}}	1.00000
18	C042440	M1 6SD SERIES LOAD DIAGRAM DECAL	1.00000
19	C042439	M1 7SD-8SD SERIES LOAD DIAGRAM DECAL	1.00000
20	C042438	SD 9 LOAD DIAGRAM DECAL	1.00000
21	C042175	M1 1.1 DECAL	1.00000
22	C042436	{{>desc}}	1.00000
23	C042190	{{>desc}}	1.00000
24	C042189	{{>desc}}	1.00000
25	C042188	{{>desc}}	1.00000
26	C042412	KIT DECALS FOR M1 6.3	1.00000
27	C042434	KIT DECALS FOR M1 6.3S	1.00000
28	C042413	KIT DECALS FOR M1 6.3S	1.00000
29	C042433	KIT DECALS FOR M1 7.3	1.00000
30	C042414	KIT DECALS FOR M1 7.3	1.00000
31	C042415	KIT DECALS FOR M1 7.3+	1.00000
32	C042416	KIT DECALS FOR M1 7.3S	1.00000
33	C042417	KIT DECALS FOR M1 8.4	1.00000
34	C042427	KIT DECALS FOR M1 8.4	1.00000
35	C042418	KIT DECALS FOR M1 8.4S	1.00000
36	C042420	{{>desc}}	1.00000
37	C042442	8.5S KIT DECALS	1.00000
38	C042421	DECALS KIT FOR M1 9.5	1.00000
39	C042424	{{>desc}}	1.00000
40	C042425	{{>desc}}	1.00000
41	C042426	{{>desc}}	1.00000
42	C042422	{{>desc}}	1.00000
43	C042419	{{>desc}}	1.00000
44	C042423	{{>desc}}	1.00000
45	C042428	SD 9.5 DECALS	1.00000

INSERTI WEO / WEO FITTINGS

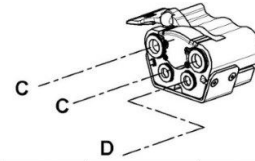
Tav. 96

**MACHINE MULTICONNECTOR
 MULTIONE 9-10 SERIES**



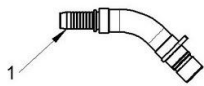
HOSE TYPE	WORK PRES BAR	HOSE DIAMETER	LENGHT RUBBER HOSE	1st FITTING DIN 2353	2nd FITTING WEO
"A" PORTS HOSES					
2SC	250	5/8"	1030	MALE STRAIGHT 18L (M30x2)	POS. 1
"B" PORT HOSE					
PILOT	100	3/8"	1150	MALE STRAIGHT 12L (M18x1,5)	POS. 3

**MACHINE MULTICONNECTOR
 MULTIONE 2-4-5-6-7-8 SERIES**



HOSE TYPE	WORK PRES BAR	HOSE DIAMETER	LENGHT RUBBER HOSE	1st FITTING DIN 2353	2nd FITTING WEO
2 SERIES					
"C" PORTS HOSES					
1SC	160	1/2"	730	FEMALE 90° 12L (M18x1,5)	POS. 2
1SC	160	1/2"	690	FEMALE STRAIGHT 12L (M18x1,5)	POS. 2
"D" PORT HOSE					
PILOT	100	3/8"	710	FEMALE 90° 12L (M18x1,5)	POS. 3
4-5 SERIES					
"C" PORTS HOSES					
1SC	160	1/2"	730	MALE STRAIGHT 15L (M22x1,5)	POS. 2
1SC	160	1/2"	780	MALE STRAIGHT 15L (M22x1,5)	POS. 2
"D" PORT HOSE					
PILOT	100	3/8"	790	MALE STRAIGHT 12L (M18x1,5)	POS. 3
6-7-8 SERIES					
"C" PORTS HOSES					
1SC	160	1/2"	970	MALE STRAIGHT 15L (M22x1,5)	POS. 2
"D" PORT HOSE					
PILOT	100	3/8"	1060	MALE STRAIGHT 12L (M18x1,5)	POS. 3

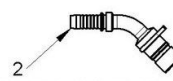
A 45° FITTING WEO SIZE 3/4" FOR 5/8" HOSE



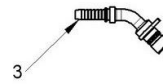
B 45° FITTING WEO SIZE 1/2" FOR 3/8" HOSE



C 45° FITTING WEO SIZE 3/4" FOR 1/2" HOSE

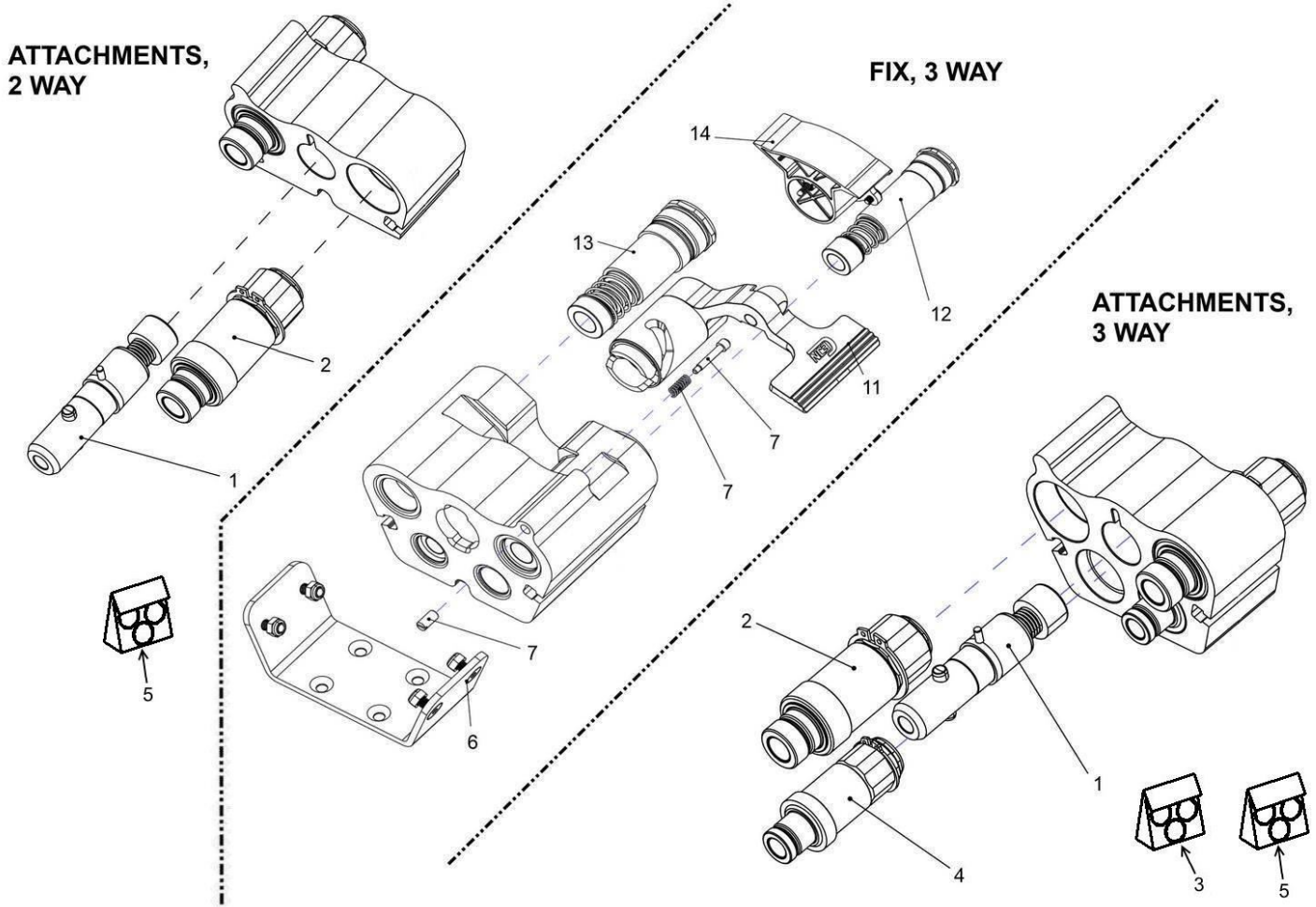


D 45° FITTING WEO SIZE 1/2" FOR 3/8" HOSE



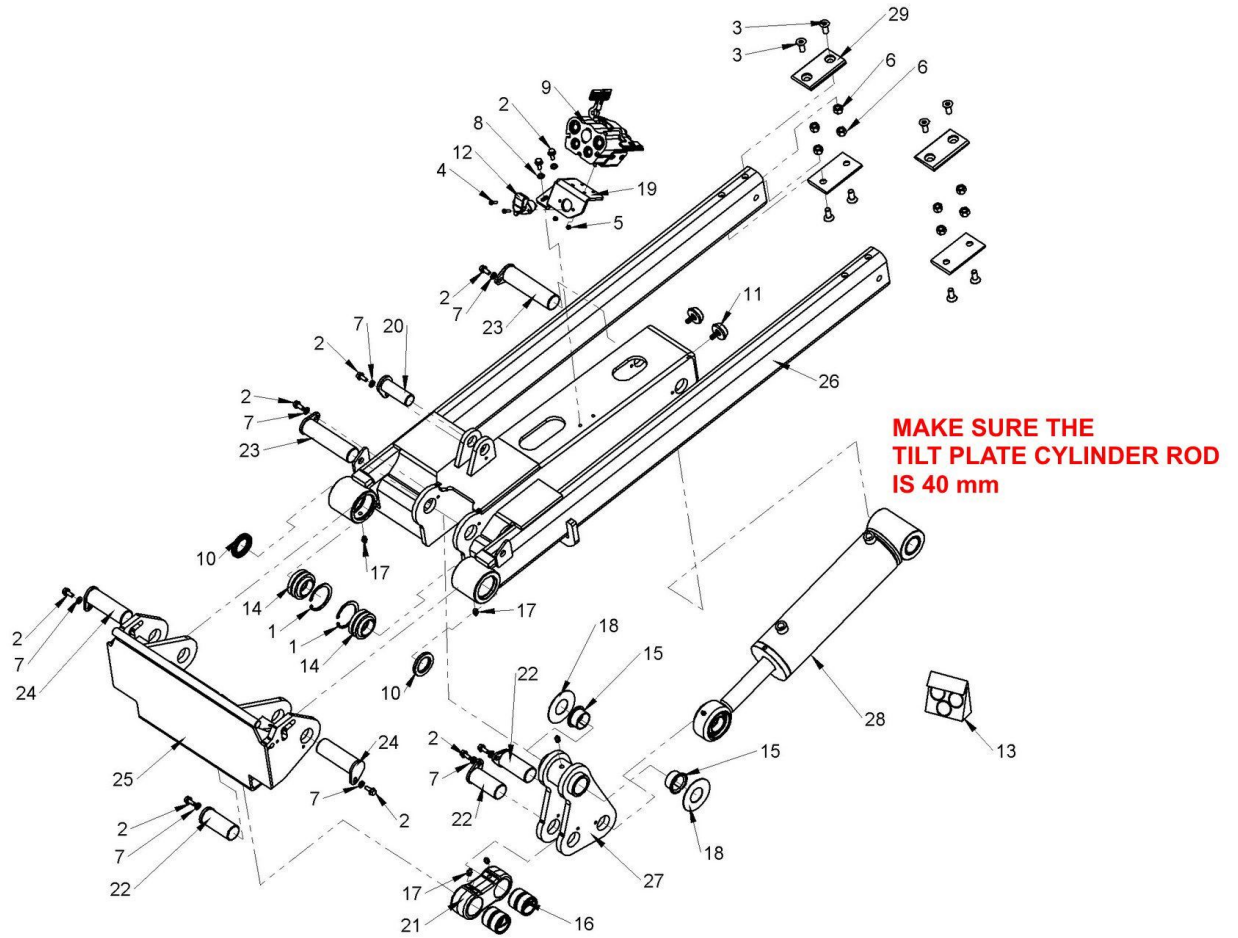
Component list [TAV. 96 MACHINE MULTICONNECTOR WEO FITTINGS]

Pos.	Code	Description	Q.ty
1	C033401	45° FITTING WEO SIZE 3/4" FOR 5/8" HOSE	1.00000
2	C033402	45° FITTING WEO SIZE 3/4" FOR 1/2" HOSE	1.00000
3	C033405	45° FITTING WEO SIZE 1/2" FOR 3/8" HOSE	1.00000
4	C033410	STRAIGHT FITTING WEO SIZE 1/2" FOR 1/2" HOSE	1.00000
5	C033411	STRAIGHT FITTING WEO SIZE 1/2" FOR 3/8" HOSE	1.00000
6	C033416	90° FITTING WEO SIZE 1/2" FOR 3/8" HOSE	1.00000
7	C033425	STRAIGHT FITTING WEO SIZE 3/8" FOR 3/8" HOSE	1.00000



Component list [TAV. 99 HYDRAULIC MULTI COUPLING PLATE, FIX 3 WAY, ATTACHMENTS 3 WAY, ATTACHMENTS 2 WAY]

Pos.	Code	Description	Q.ty
1	FF1187/109324972	CENTER BOLT KIT	1.00000
2	FF1187/105646905	MALE JOINY KIT DN 12,5	1.00000
3	FF1187/103654991	DN 10 SEAL KIT	1.00000
4	FF1187/103646904	MALE JOINY KIT DN 10	1.00000
5	FF1187/105654991	DN 12,5 SEAL KIT	1.00000
6	FF1187/109324975	MOUNTING BRACKET	1.00000
7	FF1187/109324992	LOCKING LEVER PIN KIT	1.00000
11	FF1187/109324970	LOCKING LEVER KIT	1.00000
12	FF1187/103651906	FEMALE JOINY KIT DN 10	1.00000
13	FF1187/105651907	FEMALE JOINY KIT DN 12,5	1.00000
14	FF1187/109324971	BACK LID KIT	1.00000



Component list [TAV.. 07 TELESCOPIC BOOM MOBILE PART]

Pos.	Code	Description	Q.ty
1	C018302	ANELLO SEEGER PER FORI 68 DIN 472LOCK RING	2.00000
2	C019202	VITE TEF M8x20 DIN 6921HEXAGON FLANGE BOLT M8X20	10.00000
3	C020181	VITE TSPEI M12x30 UNI 5933 ZNHEXAGON SOCKET COUNTERSUNK HEAD CAP SCREW M12x30 UNI 5933	8.00000
4	C020287	VITE TBTC M5x20 UNI 7687 DIN 7985RECESSED RAISED CHEESE HEAD SCREW M5x20 UNI 7687 DIN 7985	2.00000
5	C021102	DADO AUTOBLOCCANTE M5 ZN DIN 982PREVAILING TORQUE - TYPE HEXAGON NUT WITH POLYAMIDE RING M5 DIN 982	2.00000
6	C021504	DADO AUTOFRENANTE M12 DIN 980SELF BRAKING NUT M12 DIN 980	8.00000
7	C023041	RONDELLA NORD-LOCK M8SPNORD LOCK WASHER M8	8.00000
8	C023071	RONDELLA PIANA M8 ZINC. UNI6592PLAIN WASHER M8 8.4x16x1.6 UNI6592	2.00000
9	C030480	PIASTRA FISSA FEMMINA MULTICONNESSIONE 3 VIEHYDRAULIC MULTI COUPLING PLATE, FIX 3 WAY	1.00000
10	C035077	ANELLO DI TENUTA 40x62x7 NBRNBR SHAFT SEAL 40x62x7	2.00000
11	C035078	PIEDINO FINE CORSARUBBER END	2.00000
12	FF180/25.036.100	PRESA CORRENTE SOCKETS	1.00000
13		KIT GUARNIZIONI PER CILINDRO ALESAGGIO 100 STELO 40CYLINDER SEAL KIT BORE 100 ROD 40	1.00000



Draft and part list report
Serial n / code M331598 / C967300
Description MULTIONE SD 9.5

14	C037639	SNODO SFERICO GE 40 FORADIAL SPHERICAL PLAIN BEARINGS GE 40 FO 2RS	2.00000
15	C037641	BOCCOLA FLANGIATA 40x44x55x25BUSH FLANGED	2.00000
16	C037689	BOCCOLA 50x40x50 GFR 2/0 NU 05050FSIBO BUSHING 50x40x50 GFR 2/0 NU 05050F	2.00000
17	C090030	INGRASSATORE DRITTO M10x1GREASER M10X1 UNI 7663A	5.00000
18	C274024	DISCO DI SPESSORAMENTO ASSI E BRACCIO SPACER FOR BOOM AND ARTICULATION	2.00000
19	C281640	SUPP. PIASTRA CEJNMULTICONNECTOR PLATE SUPPORT	1.00000
20	C281704	SPINA FLANGIATA 30-L85PIN 30 L=85	1.00000
21	C281713	BIELLA PIASTRA UTENSILECOUPLING PLATE ROD	1.00000
22	C281765	SPINA FLANGIATA 40-L90PIN 40 L=90	3.00000
23	C281779	SPINA FLANGIATA 40-L157PIN 40 L=155	2.00000
24	C281799	SPINA FLANGIATA 40-L120PIN 40 L=120	2.00000
25	C281860	PIASTRA PORTA UTENSILECOUPLING PLATE	1.00000
26	C282640	ASSIEME SFILO BRACCIO IN TUBO 110x60x10BOOM ELEMENT	1.00000
27	C282674	LEVA PRIMARIA ROTAZIONE PIASTRAL ELEVATION PLATE ROTATION	1.00000
28	C282702	CILINDRO 100-40-275 GIROPIASTRA TILT PLATE CILINDER	1.00000
29	C282779	PATTINO DI SCORRIMENTO SFILO SERIE 9 - 10SLIDING PAD	4.00000