

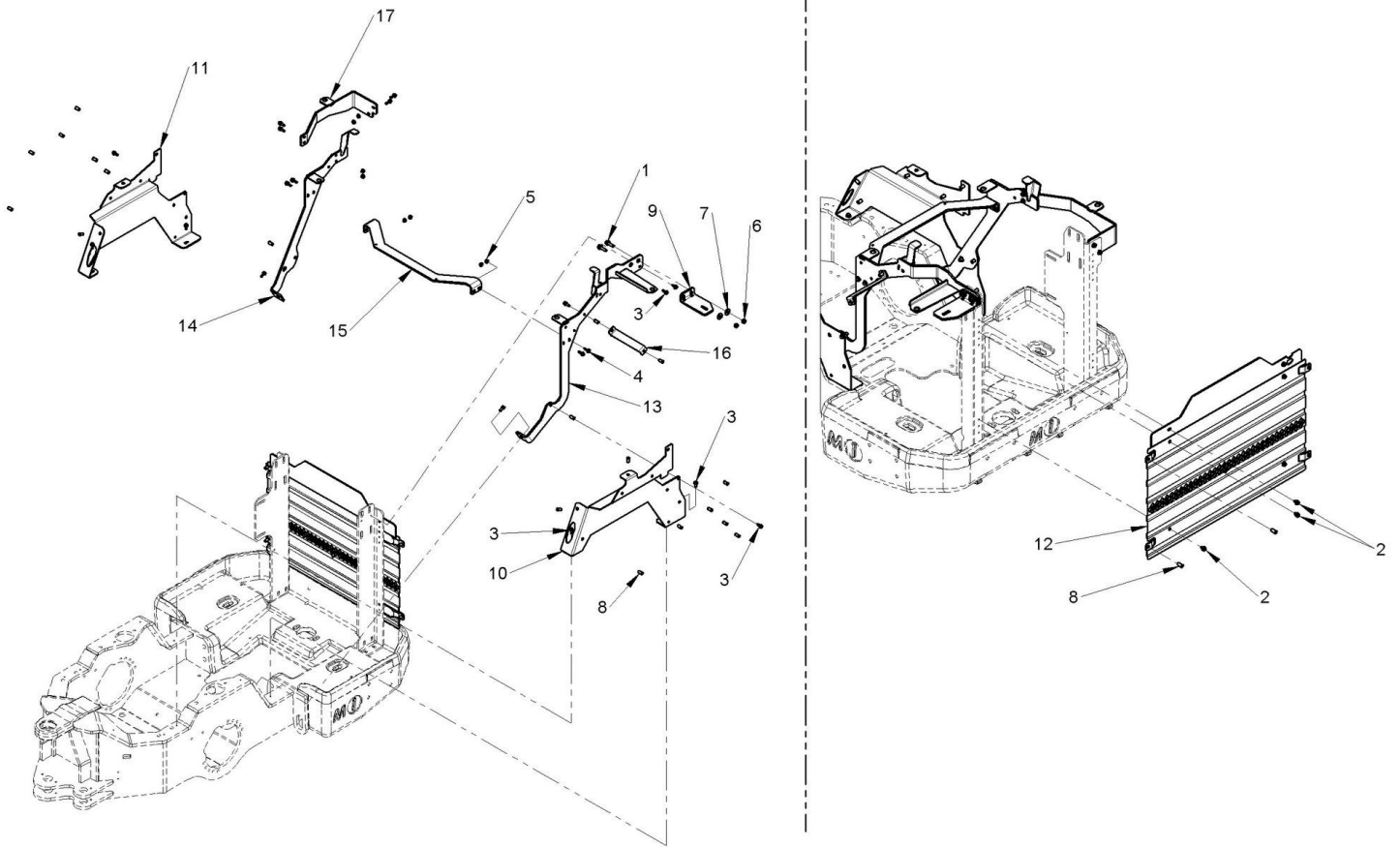
List of machine draft

| N. | Draft |
|----|--|
| | Pos. Code Q.ty |
| | 1 C019204 2 |
| | 2 C019210 6 |
| | 3 C019211 10 |
| | 4 C019212 9 |
| | 5 C021018 8 |
| | 6 C021502 2 |
| | 7 C023100 2 |
| | 8 C028271 24 |
| 12 | 9 C281642 1 |
| | 10 C281875 1 |
| | 11 C281876 1 |
| | 12 C283067 1 |
| | 13 C284650 1 |
| | 14 C284655 1 |
| | 15 C284659 1 |
| | 16 C284666 1 |
| | 17 C284668 1 |
| 1 | TAV. 01 M1 7.3 ENGINE AND PUMPS |
| 2 | TAV. 02 ENGINE SUPPORT |
| 3 | TAV. 03 M1 7.3+ WHEEL MOTORS |
| 4 | TAV. 04 M1 7.3 ENGINE COOLER AND FUEL TANK |
| 5 | TAV. 05 M1 7-8 TELESCOPIC BOOM |
| 6 | TAV. 06 M1 7-8 VALVE BANK SIDE |
| 7 | TAV. 07 M1 6-7-8 ARTICULATION |
| 8 | TAV. 08 M1 7.3 MUFFLER, BATTERY AND AIR FILTER |
| 9 | TAV. 09 M1 7-8 LIFTING BOOM AND POWER STEERING |
| 10 | TAV. 10 M1 9-7-8 COUPLING PLATE |
| 11 | TAV. 11 M1 6.3S-7-8 ROLLBAR, SEAT AND PEDALS |
| 13 | TAV. 13 M1 7-8 REAR PLASTIC COVER |
| 14 | TAV. 14 FRONT PLASTIC COVER SUPPORT |
| 15 | TAV. 15 M1 7-8 FRONT PLASTIC COVER |
| 16 | TAV. 16 M1 7-8 SELF LEVELING |
| 17 | TAV. 17 M1 6-7-8 STANDARD AND OPTIONAL WORK LIGHT |
| 18 | TAV. 18 M1 7.3-8.4 HYDRAULIC TRANSMISSION |
| 19 | TAV. 20 M1 7-8 SERVICE HYDRAULIC PLANT |
| 40 | TAV. 28 M1 6->9 ELECTRIC PARTS |
| 37 | TAV. 29 M1 7-8 FILTERS |
| 20 | TAV. 30 M1 6-7-8 ROAD LIGHT KIT (OPTIONAL) |
| 21 | TAV. 31 M1 6-10 GLASS CABIN |
| 22 | TAV. 32 M1 6-7-8 GLASS CABIN DETAILS (OPTIONAL) |
| 23 | TAV. 33 M1 7.3 HEATER |
| 24 | TAV. 34 M1 6-7-8 AUTOMATIC COUPLING PLATE (OPTIONAL) |
| 25 | TAV. 35 M1 6-10 FLOATING BOOM |
| 26 | TAV. 36 SECURITY ARM |



Draft and part list report
Serial n / code M332220 / C962005
Description MULTIONE 7.3+

| | |
|----|---|
| 27 | TAV. 38 BACK-UP ALLARM |
| 28 | TAV. 39 M1 6-10 POLYCARBONATE GLASS SMART CABIN |
| 29 | TAV. 41 LUXURY HEATED SEAT |
| 30 | TAV. 44 55 mm WHEEL SPACER |
| 31 | TAV. 45 MULTICONNECTOR COUPLING TO QUICK COUPLING KIT ADAPTOR |
| 32 | TAV. 46 TOW HOOK |
| 33 | TAV. 49 M1 5-8, M1 6SD-8SD REAR BUMPER |
| 42 | TAV. 54 STEEL MUD GUARD |
| 39 | TAV. 57 WATER TEMP SENSOR |
| 38 | TAV. 59 JOYSTICK MULTI |
| 34 | TAV. 60 SWITHES |
| 41 | TAV. 95 DECALS |
| 35 | TAV. 96 MACHINE MULTICONNECTOR WEO FITTINGS |
| 36 | TAV. 99 HYDRAULIC MULTI COUPLING PLATE, FIX 3 WAY, ATTACHMENTS 3 WAY, ATTACHMENTS 2 WAY |



Component list [Pos. Code Q.ty

| | | |
|----|---------|----|
| 1 | C019204 | 2 |
| 2 | C019210 | 6 |
| 3 | C019211 | 10 |
| 4 | C019212 | 9 |
| 5 | C021018 | 8 |
| 6 | C021502 | 2 |
| 7 | C023100 | 2 |
| 8 | C028271 | 24 |
| 9 | C281642 | 1 |
| 10 | C281875 | 1 |
| 11 | C281876 | 1 |
| 12 | C283067 | 1 |



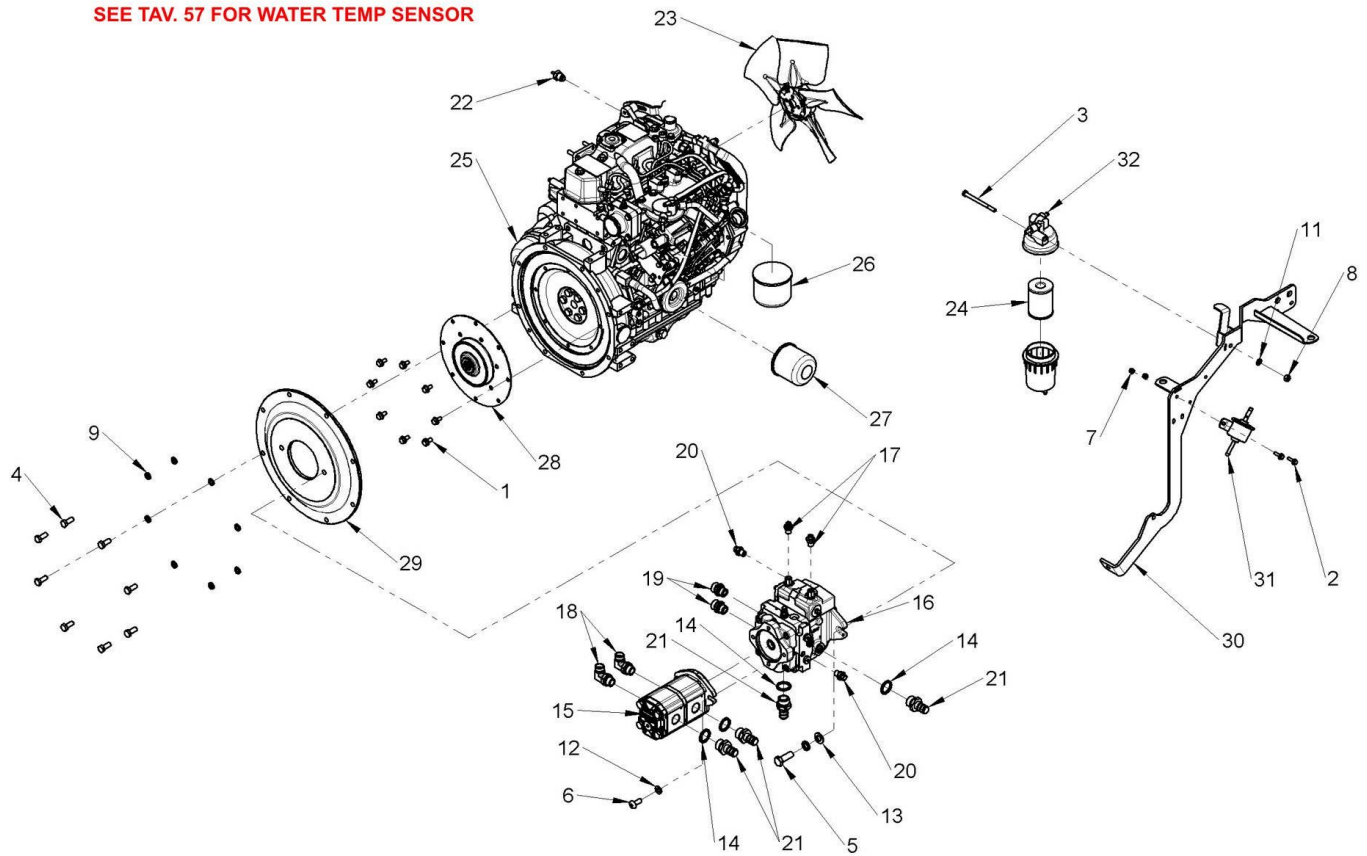
Draft and part list report
Serial n / code M332220 / C962005
Description MULTIONE 7.3+

13 C284650 1
14 C284655 1
15 C284659 1
16 C284666 1
17 C284668 1

]

| Pos. | Code | Description | Q.ty |
|------|---------|--|----------|
| 1 | C019204 | HEXAGON FLANGE BOLT M8X30 ZB UNI EN ISO 1665 | 2.00000 |
| 2 | C019210 | M6x10 BOLTS UNI 1665 | 6.00000 |
| 3 | C019211 | M6x16 BOLT UNI 1665 | 10.00000 |
| 4 | C019212 | M6x20 BOLT UNI 1665 | 9.00000 |
| 5 | C021018 | NUT E 6S M6 SERPRESS | 8.00000 |
| 6 | C021502 | SLOTTED AND CASTLE HEXAGON NUTS M8 DIN980 | 2.00000 |
| 7 | C023100 | PLAIN WASHER LARGE SERIES M8 DIN 9021 | 2.00000 |
| 8 | C028271 | THREAD INSERT M6 | 24.00000 |
| 9 | C281642 | DIESEL TANK LOCKER | 1.00000 |
| 10 | C281875 | LEFT MUDGUARD SUPPORT | 1.00000 |
| 11 | C281876 | RIGHT MUDGUARD COVER SUPPORT | 1.00000 |
| 12 | C283067 | RADIATOR NET | 1.00000 |
| 13 | C284650 | REAR LEFT PLASTIC CARTER SUPPORT | 1.00000 |
| 14 | C284655 | REAR RIGHT PLASTIC COVER SUPPORT | 1.00000 |
| 15 | C284659 | REAR CENTER PLASTIC COVER SUPPORT REV.01 | 1.00000 |
| 16 | C284666 | SIDE PLASTIC COVER SUPPORT | 1.00000 |
| 17 | C284668 | MUFFLER SIDE PLASTIC COVER SUPPORT | 1.00000 |

SEE TAV. 57 FOR WATER TEMP SENSOR



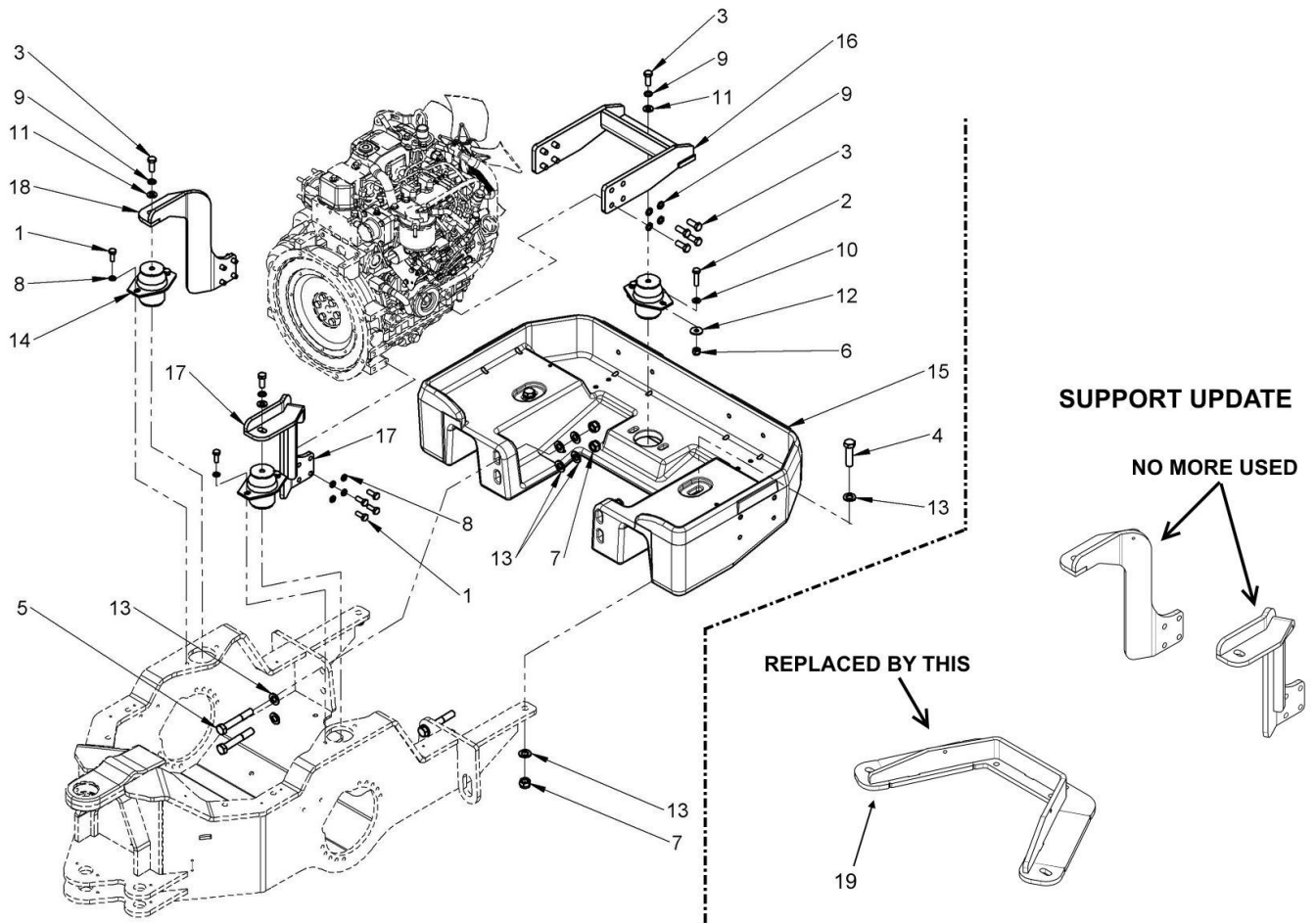
Component list [TAV. 01 M1 7.3 ENGINE AND PUMPS]

| Pos. | Code | Description | Q.ty |
|------|---------|---|---------|
| 1 | C019201 | HEXAGON FLANGE BOLT M8x16 DIN 6921 | 8.00000 |
| 2 | C019212 | M6x20 BOLT UNI 1665 | 2.00000 |
| 3 | C020083 | SCREW HEX 8.8 M8X100 UNI ISO 4014 | 1.00000 |
| 4 | C020101 | HEXAGON HEAD SCREW 8.8 M10X25 UNI EN ISO 4017 | 8.00000 |
| 5 | C020138 | HEXAGON HEAD SCREW M14X40 ISO 4017 | 2.00000 |
| 6 | C020550 | HEXAGON SOCKET OVAL HEAD SCREW 8.8 M10X25 ISO 7380 | 2.00000 |
| 7 | C021104 | PREVAILING TORQUE-TYPE HEXAGONAL NUTS WITH POLYAMIDE RING M6 UNI 7473 | 2.00000 |
| 8 | C021502 | SLOTTED AND CASTLE HEXAGON NUTS M8 DIN980 | 1.00000 |
| 9 | C023042 | SELF LOCKING FLANGE NORD LOCK M10 | 8.00000 |
| 10 | C023044 | M14 NORD LOCK WASHER | 2.00000 |
| 11 | C023071 | PLAIN WASHER M8 8.4x16x1.6 UNI6592 | 1.00000 |
| 12 | C023080 | FLAT WASHER X M10 10.5X20X2 | 2.00000 |
| 13 | C023103 | FLAT WASHER X M14 15X28X2.5 ZN UNI6592 | 2.00000 |
| 14 | C030543 | BONDED WASHER 3/4" GAS | 4.00000 |
| 15 | C030976 | 11+8CC TWIN GEAR PUMP | 1.00000 |
| 16 | C031305 | HYDROSTATIC PUMP 19CC POCLAIN 6/7/8 SERIES | 1.00000 |



Draft and part list report
Serial n / code M332220 / C962005
Description MULTIONE 7.3+

| | | | |
|----|--------------------|--|---------|
| 17 | C033007 | NIPPLES 1/4" GAS / 6L | 2.00000 |
| 18 | C033022 | 90° ELBOW, ADJUSTABLE MALE STUD G 1/2 - MALE 15L | 2.00000 |
| 19 | C033073 | NIPPLES 1/2 GAS/16S | 2.00000 |
| 20 | C033134 | NIPPLES 1/4GAS-8L | 2.00000 |
| 21 | C033300 | STRAIGHT HOSE CONNECTOR 3/4" FOR 3/4" HOSE | 4.00000 |
| 22 | | {{>desc}} | 1.00000 |
| 23 | C034205 | 1340 VARIABLE PITCH FAN | 1.00000 |
| 24 | C039029 | WATER SEP CARTRIDGE | 1.00000 |
| 25 | C039030 | YANMAR DIESEL ENGINE 3TNV82A | 1.00000 |
| 26 | C039044 | FUEL FILTER FOR A700Y,SL35,SL835,SL840,GT(TNV) >2007,GT950,QTRAK1235,1240,1550 | 1.00000 |
| 27 | C039045 | ENGINE OIL FILTER FOR YANMAR 3TNV78-82-88,4TNV88-98 | 1.00000 |
| 28 | C039515 | Z13 YANMAR ELASTIC COUPLING | 1.00000 |
| 29 | C039524 | SAE B PUMP FLANGE FOR YANMAR | 1.00000 |
| 30 | C284650 | REAR LEFT PLASTIC CARTER SUPPORT | 1.00000 |
| 31 | FF163/119225-52102 | PUMP ASSY FUEL FEED FOR YANMAR | 1.00000 |
| 32 | FF163/129242-55700 | COMPLETE WATER-FUEL SEPARATE FILTER FOR 4TNV88-DSA2/4TNV98 | 1.00000 |



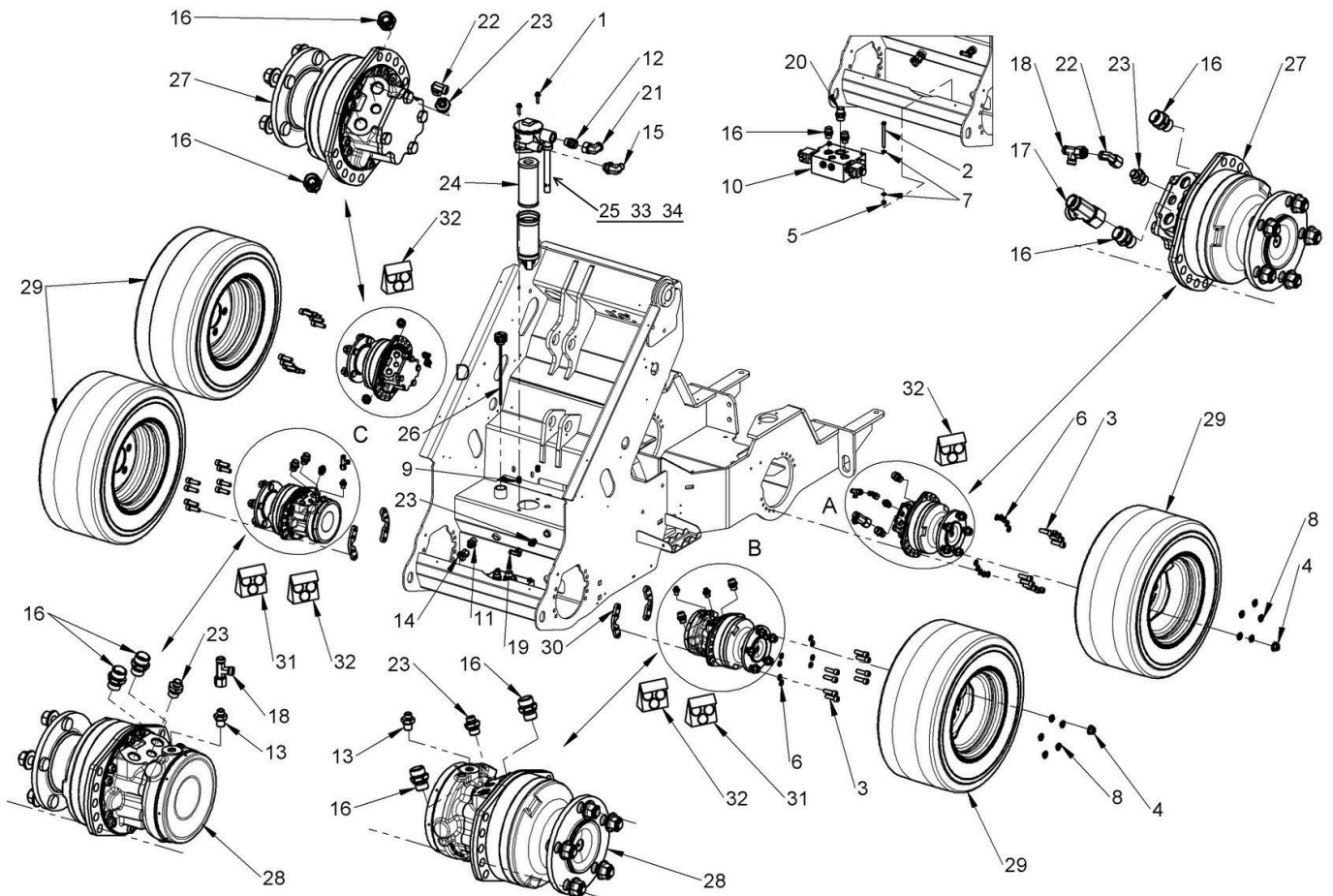
Component list [TAV. 02 ENGINE SUPPORT]

| Pos. | Code | Description | Q.ty |
|------|---------|---|----------|
| 1 | C020101 | HEXAGON HEAD SCREW 8.8 M10X25 UNI EN ISO 4017 | 12.00000 |
| 2 | C020104 | HEXAGON HEAD SCREW M10x40 ZB UNI EN ISO 4017 | 2.00000 |
| 3 | C020132 | HEXAGON HEAD SCREW M12x30 UNI 5739 | 11.00000 |
| 4 | C020141 | VITE TE 8.8 M16x55 FILETTO PARZIALE UNI 5737 ZN | 2.00000 |
| 5 | C020146 | UNI 5737 M16x100 SCREW | 4.00000 |
| 6 | C021503 | SELF-LOCKING HEXAGONAL NUT M10 ZN DIN980 | 2.00000 |
| 7 | C021109 | SELF-LOCKING NUT M16 ZN DIN 982 | 6.00000 |
| 8 | C023042 | SELF LOCKING FLANGE NORD LOCK M10 | 12.00000 |
| 9 | C023043 | SELF LOCKING WASHER M12 | 11.00000 |
| 10 | C023080 | FLAT WASHER X M10 10.5X20X2 | 2.00000 |
| 11 | C023102 | PLAIN WASHER M12 UNI 6592 | 3.00000 |
| 12 | C023104 | FLAT WASHER, M10 | 2.00000 |
| 13 | C023139 | FLAT WASHER X M16 ĩ17x30x3 UNI ISO 7089 | 16.00000 |
| 14 | C037410 | HYDRAULIC DUMPER 40SH | 3.00000 |
| 15 | C281616 | BACKWEIGHT FOR M1 7.3, M1 8.4 | 1.00000 |
| 16 | C281672 | REAR ENGINE SUPPORT | 1.00000 |



Draft and part list report
Serial n / code M332220 / C962005
Description MULTIONE 7.3+

| | | | |
|----|---------|----------------------------|---------|
| 17 | C281675 | FRONT LEFT ENGINE SUPPORT | 1.00000 |
| 18 | C281678 | FRONT RIGHT ENGINE SUPPORT | 1.00000 |
| 19 | C282300 | FRONT ENGINE SUPPORT | 1.00000 |



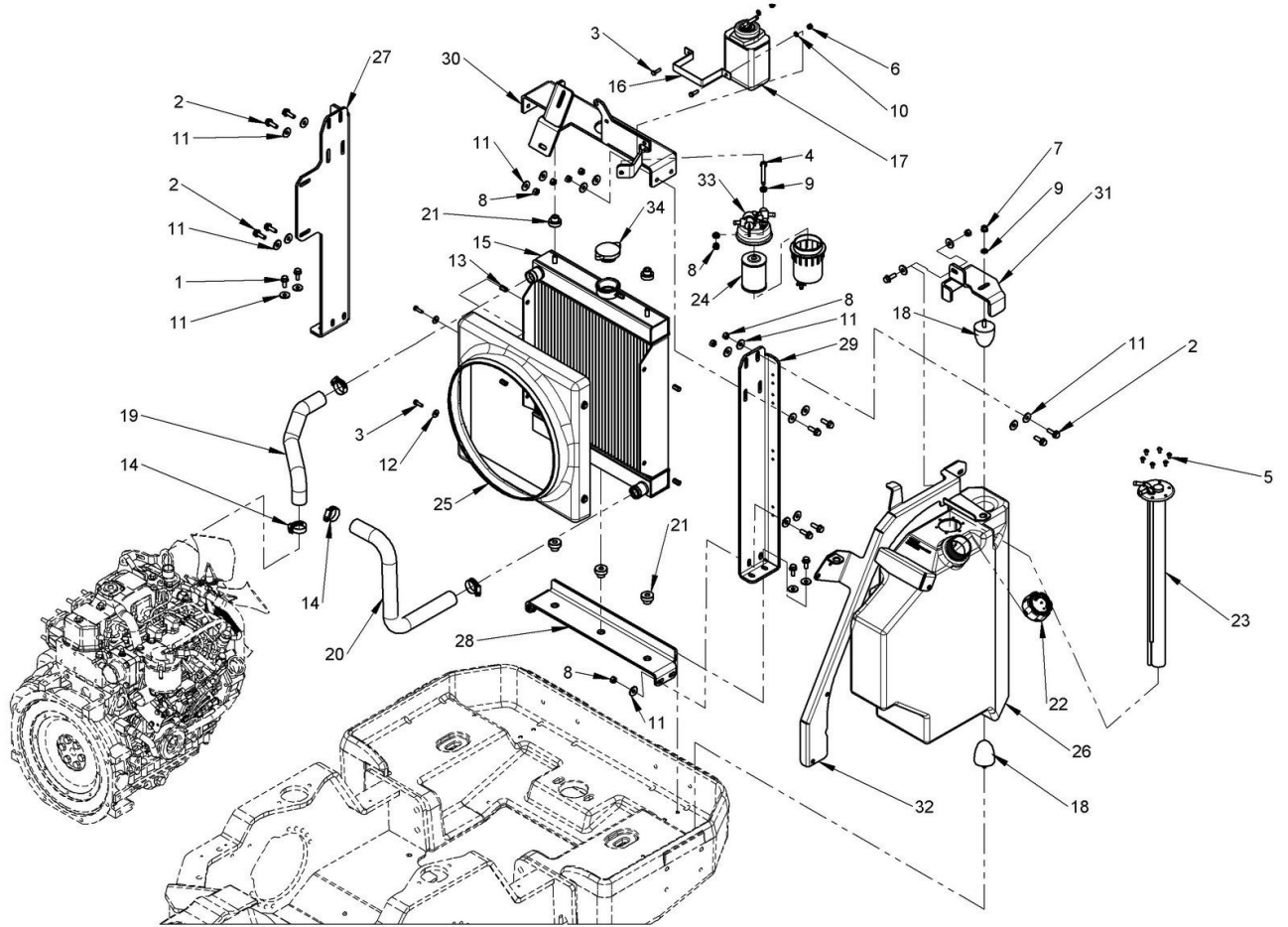
Component list [TAV. 03 M1 7.3+ WHEEL MOTORS]

| Pos. | Code | Description | Q.ty |
|------|---------|--|----------|
| 1 | C019204 | HEXAGON FLANGE BOLT M8X30 ZB UNI EN ISO 1665 | 2.00000 |
| 2 | C020082 | HEXAGON HEAD SCREW 8.8 M8X90 UNI 5739 | 2.00000 |
| 3 | C020250 | HEXAGON SOCKET HEAD CAP SCREW CI. 12.9 M12x40 ZB UNI EN ISO 4762 | 36.00000 |
| 4 | C021135 | FLANGED NUT M14X1.5 FOR POCLAIN WHEEL MOTOR | 2.00000 |
| 5 | C021502 | SLOTTED AND CASTLE HEXAGON NUTS M8 DIN980 | 2.00000 |
| 6 | C023043 | SELF LOCKING WASHER M12 | 36.00000 |
| 7 | C023071 | PLAIN WASHER M8 8.4x16x1.6 UNI6592 | 4.00000 |
| 8 | C023500 | WASHER LIMES D.14 FOR GT WHEEL SCREWS | 20.00000 |
| 9 | C028282 | THREAD INSERT M8 | 2.00000 |
| 10 | C031007 | FLOW DIVIDER W/BYPASS 90L | 1.00000 |
| 11 | C033002 | NIPPLES 1/2" G / 12L | 1.00000 |
| 12 | C033004 | NIPPLES 3/4" G - 22L | 1.00000 |
| 13 | C033007 | NIPPLES 1/4" GAS / 6L | 2.00000 |
| 14 | C033024 | ELBOW FITTING F12L ORIENT. /M12L | 1.00000 |
| 15 | C033028 | 3/4" 90° SUCTION HOSE FITTING | 1.00000 |
| 16 | C033073 | NIPPLES 1/2 GAS/16S | 10.00000 |



Draft and part list report
Serial n / code M332220 / C962005
Description MULTIONE 7.3+

| | | | |
|----|---------------|--|---------|
| 17 | C033083 | STUD BRANCH TEES M-M-F 16S | 1.00000 |
| 18 | C033085 | TEES CONNECTION F-M-M 8L | 2.00000 |
| 19 | C033086 | TEES-CONNECTION M-F-M 8L | 1.00000 |
| 20 | C033104 | NIPPLES 3/4" G - 16S | 1.00000 |
| 21 | C033130 | ADJUSTABLE ELBOW FG22L / M22L | 1.00000 |
| 22 | C033131 | CONNECTOR 90° FG8L / M8L | 2.00000 |
| 23 | C033133 | NIPPLES 3/8" GAS / 8L | 5.00000 |
| 24 | C036627 | CARTRIDGE HYDRAULIC OIL FILTER FOR S500/S600/SL840P/SL800 2 ¹ GEN | 1.00000 |
| 25 | C036628 | FILTER ASSY FOR SL800P/S500/600 2 ¹ GEN | 1.00000 |
| 26 | C038748 | 1" G PRESSURIZED LEVEL CUP | 1.00000 |
| 27 | C038835 | MSE02-0 332cc WHEEL MOTOR | 2.00000 |
| 28 | C038836 | MSE02-0 332cc WHEEL MOTOR WITH BRAKE | 2.00000 |
| 29 | C040075 | 23X10.50-12 TRACTOR WHEEL 5 HOLES ET-25 | 4.00000 |
| 30 | C281614 | WHEEL MOTOR LOCKING PLATE | 4.00000 |
| 31 | FF289/A36744P | SEAL KIT FOR MSE02 BRAKE | 2.00000 |
| 32 | FF289/A36747S | SEAL KIT (ALL SEALS)FOR MSE02 WITH BRAKE | 4.00000 |
| 33 | C036646 | HANDLE FOR FILTER CARTRIDGE | 1.00000 |
| 34 | C036647 | Ø65 O-RING SEAL FOR FILTER HANDLE CUP | 1.00000 |



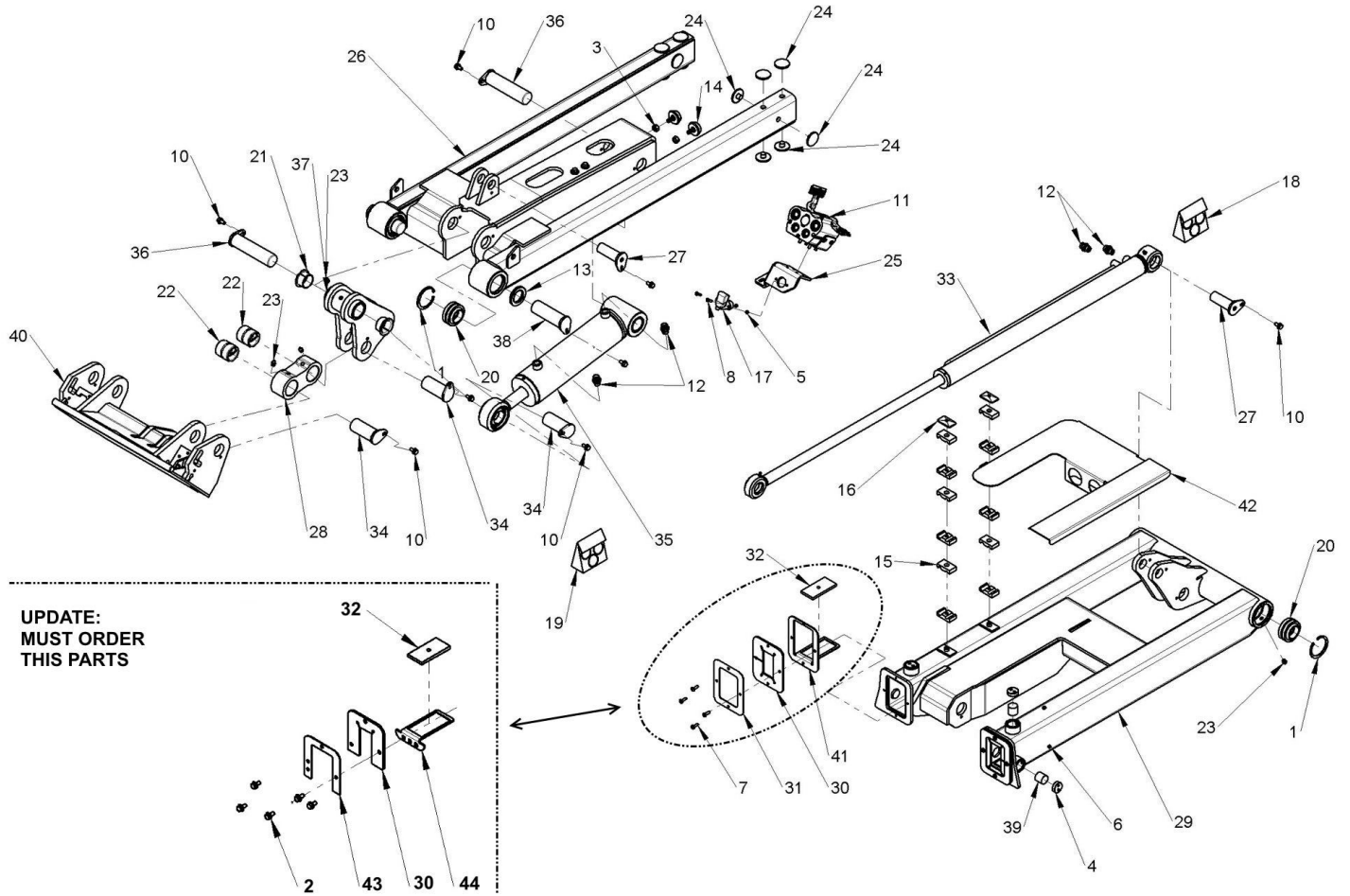
Component list [TAV. 04 M1 7.3 ENGINE COOLER AND FUEL TANK]

| Pos. | Code | Description | Q.ty |
|------|---------|---|----------|
| 1 | C019202 | HEXAGON FLANGE BOLT M8X20 DIN 6921 | 4.00000 |
| 2 | C019203 | HEXAGON FLANGE BOLT M8X25 ISO 1665 | 11.00000 |
| 3 | C020051 | ISO 4017 M6x20 SCREW | 6.00000 |
| 4 | C020081 | HEX HEAD SCREW 8.8 M8X80 UNI ISO 4017 | 1.00000 |
| 5 | C020561 | HEXAGON SOCKET OVAL HEAD SCREW M5x10 ISO 7380 | 6.00000 |
| 6 | C021104 | PREVAILING TORQUE-TYPE HEXAGONAL NUTS WITH POLYAMIDE RING M6 UNI 7473 | 2.00000 |
| 7 | C021502 | SLOTTED AND CASTLE HEXAGON NUTS M8 DIN980 | 1.00000 |
| 8 | C021502 | SLOTTED AND CASTLE HEXAGON NUTS M8 DIN980 | 12.00000 |
| 9 | C023071 | PLAIN WASHER M8 8.4x16x1.6 UNI6592 | 3.00000 |
| 10 | C023090 | FLAT WASHER M6 6.4x12x1.6 UNI 6592 | 2.00000 |
| 11 | C023100 | PLAIN WASHER LARGE SERIES M8 DIN 9021 | 26.00000 |
| 12 | C023110 | PLAIN WASHER LARGE SERIES M6 6.5X18X1.5 DIN9021 | 4.00000 |
| 13 | C028271 | THREAD INSERT M6 | 4.00000 |
| 14 | C029032 | STAINLESS STEEL CLAMP 30-45 BELT 12 | 4.00000 |
| 15 | C030620 | ENGINE WATER COOLER | 1.00000 |
| 16 | C034090 | COOLANT TANK BRACKET | 1.00000 |



Draft and part list report
Serial n / code M332220 / C962005
Description MULTIONE 7.3+

| | | | |
|----|--------------------|--|---------|
| 17 | C034091 | COOLANT TANK | 1.00000 |
| 18 | C035139 | SILENT BLOCK T-50 İ50 H=58 M8x20 | 2.00000 |
| 19 | C035151 | INLET ENGINE COOLER PIPE | 1.00000 |
| 20 | C035152 | OUTLET REFRIGERATOR PIPE | 1.00000 |
| 21 | C036017 | RADIATOR DAMPING PAD | 5.00000 |
| 22 | C038723 | FUEL CUP, NO KEY | 1.00000 |
| 23 | C038758 | 6.3 7.3 8.4 FUEL SENSOR | 1.00000 |
| 24 | C039029 | WATER SEP CARTRIDGE | 1.00000 |
| 25 | C041412 | ENGINE COOLER AIR CONVEYOR | 1.00000 |
| 26 | C220490 | 34 LT FUEL TANK MULTIONE 7-8 SERIE | 1.00000 |
| 27 | C281634 | RIGHT ENGINE COOLER SUPPORT REV.04 | 1.00000 |
| 28 | C281635 | LOWER ENGINE COOLE SUPPORT | 1.00000 |
| 29 | C281636 | LEFT ENGINE COOLER SUPPORT REV.05 | 1.00000 |
| 30 | C281637 | UPPER ENGINE COOLER SUPPORT | 1.00000 |
| 31 | C281882 | FUEL TANK LOCKER | 1.00000 |
| 32 | C281887 | REAR LEFT COVER SUPPORT | 1.00000 |
| 33 | FF163/129242-55700 | COMPLETE WATER-FUEL SEPARATE FILTER FOR 4TNV88-DSA2/4TNV98 | 1.00000 |
| 34 | FF447/TAPOVAME0009 | ENGINE COOLER MEDIUM CAP | 1.00000 |



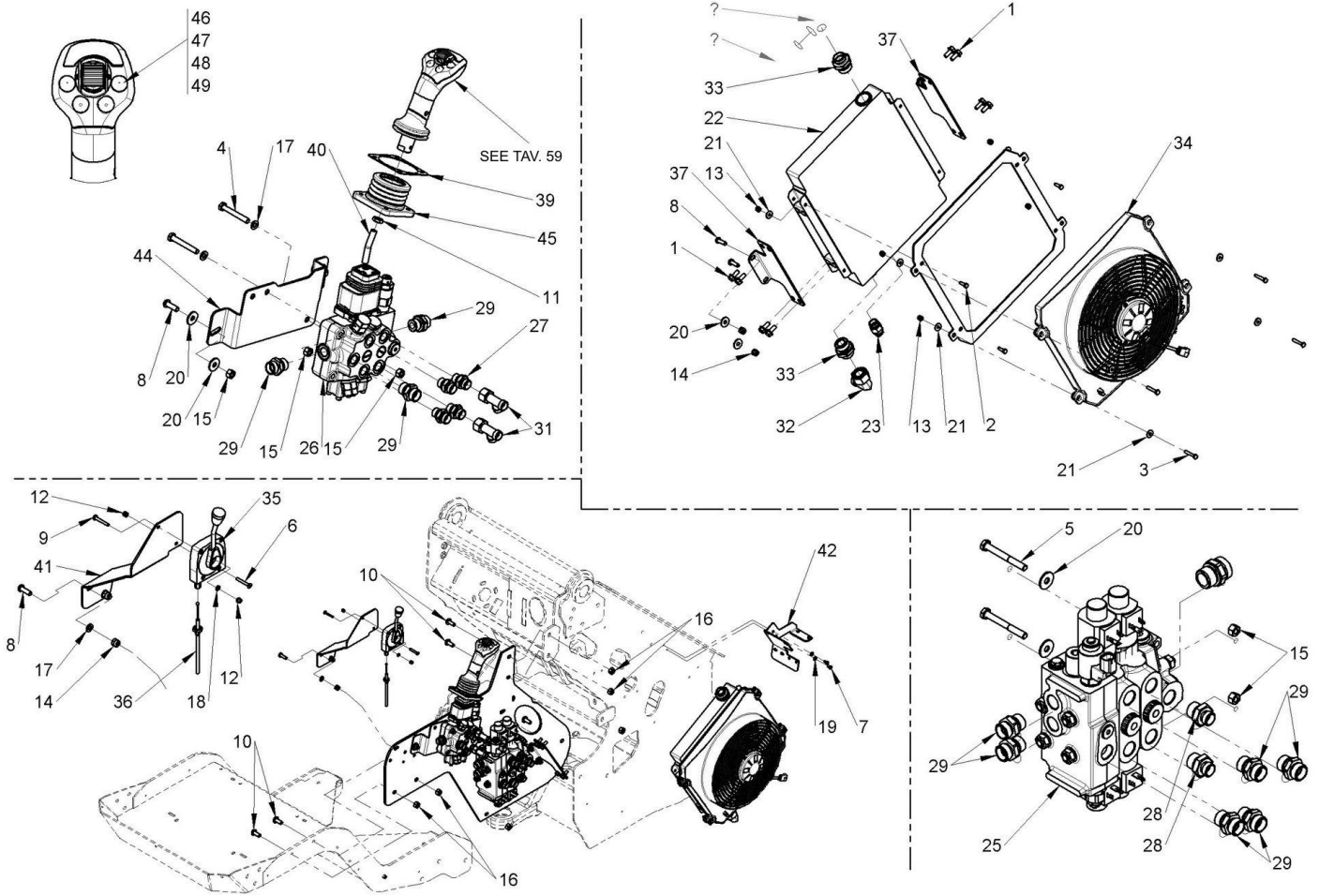
Component list [TAV. 05 M1 7-8 TELESCOPIC BOOM]

| Pos. | Code | Description | Q.ty |
|------|---------|---|----------|
| 1 | C018302 | BORES SEEGER RING ĩ68 DIN 472 | 4.00000 |
| 2 | C019201 | HEXAGON FLANGE BOLT M8x16 DIN 6921 | 9.00000 |
| 3 | C019202 | HEXAGON FLANGE BOLT M8X20 DIN 6921 | 2.00000 |
| 4 | C021413 | SETTING HEAD 1"G | 2.00000 |
| 5 | C020548 | HEXAGON SOCKET OVAL HEAD SCREW M6x20 ZN UNI/ISO 7380 | 8.00000 |
| 6 | C020566 | STRAIGHT THREAD E.I. M8X8 UNI5927 ZB | 4.00000 |
| 7 | C021102 | PREVAILING TORQUE - TYPE HEXAGON NUT WITH POLYAMIDE RING M5 DIN 982 | 2.00000 |
| 8 | C020287 | RECESSED RAISED CHEESE HEAD SCREW M5x20 UNI 7687 DIN 7985 | 4.00000 |
| 9 | C021503 | SELF-LOCKING HEXAGONAL NUT M10 ZN DIN980 | 2.00000 |
| 10 | C023100 | PLAIN WASHER LARGE SERIES M8 DIN 9021 | 2.00000 |
| 11 | C030480 | HYDRAULIC MULTICONNECTOR, FIX 3 WAY | 1.00000 |
| 12 | C033001 | NIPPLES 3/8" G / 12L | 4.00000 |
| 13 | C035077 | NBR SHAFT SEAL ĩ40x62x7 | 2.00000 |
| 14 | C035078 | RUBBER END | 2.00000 |
| 15 | C035119 | DOUBLE HOSE HOLDER, ĩ12 AND ĩ15 | 12.00000 |
| 16 | C035140 | UPPER PLATE FOR HOSE HOLDER, TWIN | 2.00000 |



Draft and part list report
Serial n / code M332220 / C962005
Description MULTIONE 7.3+

| | | | |
|----|------------------|--|----------|
| 17 | FF180/25.036.100 | 3 POLE CONNECTOR (MACHINE MOUNT) | 1.00000 |
| 18 | | {{>desc}} | 1.00000 |
| 19 | | {{>desc}} | 1.00000 |
| 20 | C037639 | RADIAL SPHERICAL PLAIN BEARINGS GE 40 FO 2RS | 4.00000 |
| 21 | C037641 | BUSHING Ĩ40x44x55x25 | 2.00000 |
| 22 | C037689 | SIBO BUSHING 50x40x50 | 2.00000 |
| 23 | C090030 | GREASER M10X1 UNI 7663A | 7.00000 |
| 24 | C281633/L | ROUND SLIDE PAD FOR TELESCOPIC ARM M1 5->10 | 12.00000 |
| 25 | C281640 | MULTICONNECTOR PLATE SUPPORT | 1.00000 |
| 26 | C282380 | TELESCOPIC BOOM MOBILE PART | 1.00000 |
| 27 | C281704 | Ø30x85 PIN | 2.00000 |
| 28 | C281713 | COUPLING PLATE ROD | 1.00000 |
| 29 | C282390 | TELESCOPIC BOOM FIXED PART | 1.00000 |
| 30 | C281721 | TELESCOPIC ARM RUBBER PROTECTION | 2.00000 |
| 31 | C281723 | PROTECTION RUBBER FIXED FRAME | 2.00000 |
| 32 | C281734/L | SLIDING PAD | 2.00000 |
| 33 | C281745 | TELESCOPIC BOOM CYLINDER | 1.00000 |
| 34 | C281765 | FLANGED PIN Ĩ40 L=90 | 3.00000 |
| 35 | C281773 | 90-35-236 TILT PLATE CYLINDER M1 7-8 SD 7-8 | 1.00000 |
| 36 | C281779 | PIN Ĩ40 L=155 | 2.00000 |
| 37 | C281780 | FIRST TILT LEVER | 1.00000 |
| 38 | C281799 | PIN Ĩ40 L=120 | 2.00000 |
| 39 | C281859 | SLIDING STUD M1 5->10 SERIES | 4.00000 |
| 40 | C281860 | COUPLING PLATE | 1.00000 |
| 41 | C282306 | SLIDING PAD BOOM BRACKET | 2.00000 |
| 42 | C282370 | ANTI-WEAR PROTECTION FOR TUBES | 1.00000 |
| 43 | C284487 | BOOM RUBBER FIXER | 2.00000 |
| 44 | C284488 | SLIDING PAD BOOM BRACKET | 2.00000 |



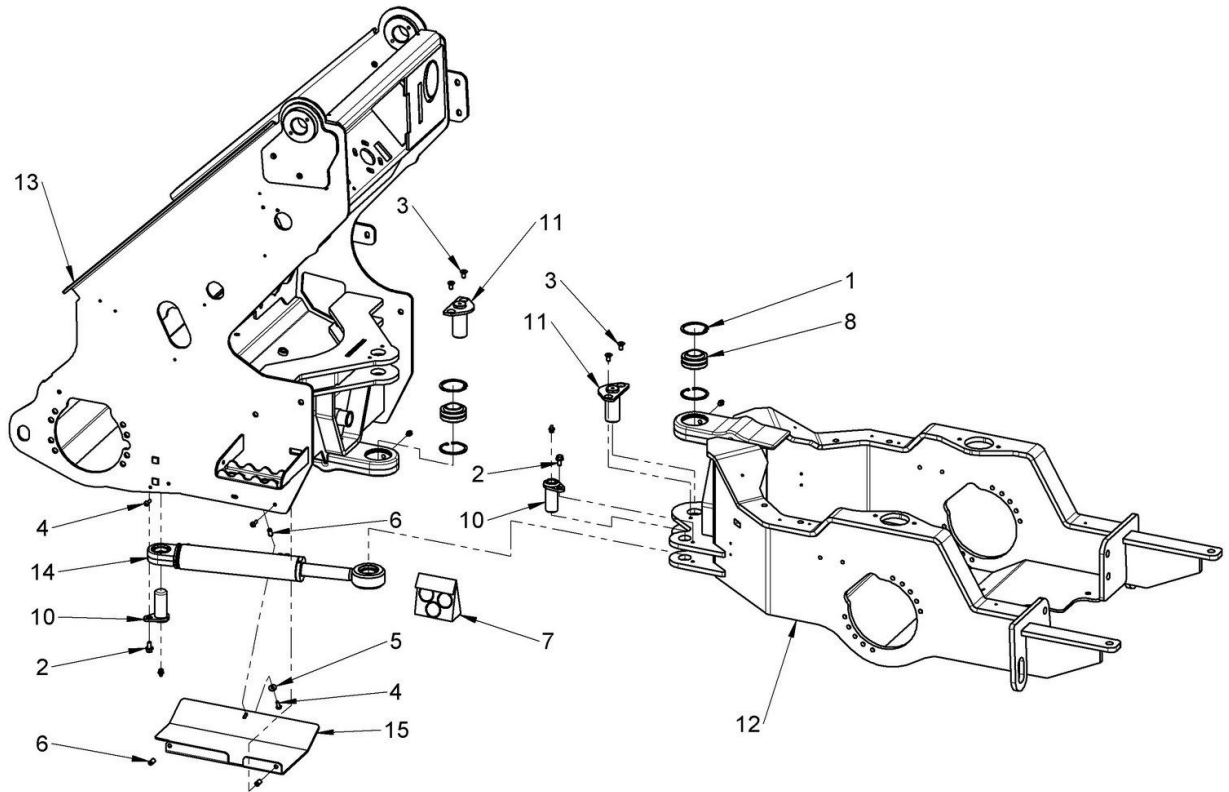
Component list [TAV. 06 M1 7-8 VALVE BANK SIDE]

| Pos. | Code | Description | Q.ty |
|------|---------|---|---------|
| 1 | C019202 | HEXAGON FLANGE BOLT M8X20 DIN 6921 | 8.00000 |
| 2 | C020051 | ISO 4017 M6x20 SCREW | 4.00000 |
| 3 | C020054 | HEXAGON HEAD SCREW M6x35 ZB UNI 4017 | 4.00000 |
| 4 | C020080 | HEXAGON HEAD SCREW M8x60 ISO 4017 | 2.00000 |
| 5 | C020086 | HEXAGON HEAD BOLT 8.8 M8x70 ISO 4014 | 2.00000 |
| 6 | C020291 | HEXAGON SOCKET COUNTERSUNK HEAD CAP SCREW 10.9 M5x35 UNI 5933 | 1.00000 |
| 7 | C020542 | HEXAGON SOCKET OVAL HEAD SCREW M6x12 ZN ISO 7380 | 2.00000 |
| 8 | C020543 | HEXAGON SOCKET OVAL HEAD SCREW M8x25 ISO 7380 | 8.00000 |
| 9 | C020291 | HEXAGON SOCKET COUNTERSUNK HEAD CAP SCREW 10.9 M5x35 UNI 5933 | 1.00000 |
| 10 | C020550 | HEXAGON SOCKET OVAL HEAD SCREW 8.8 M10x25 ISO 7380 | 6.00000 |
| 11 | C021013 | HEXAGON NUT M10 UNI 5589 | 1.00000 |
| 12 | C021102 | PREVAILING TORQUE - TYPE HEXAGON NUT WITH POLYAMIDE RING M5 DIN 982 | 2.00000 |
| 13 | C021104 | PREVAILING TORQUE-TYPE HEXAGONAL NUTS WITH POLYAMIDE RING M6 UNI 7473 | 8.00000 |
| 14 | C021502 | SLOTTED AND CASTLE HEXAGON NUTS M8 DIN980 | 6.00000 |
| 15 | C021502 | SLOTTED AND CASTLE HEXAGON NUTS M8 DIN980 | 6.00000 |
| 16 | C021503 | SELF-LOCKING HEXAGONAL NUT M10 ZN DIN980 | 6.00000 |



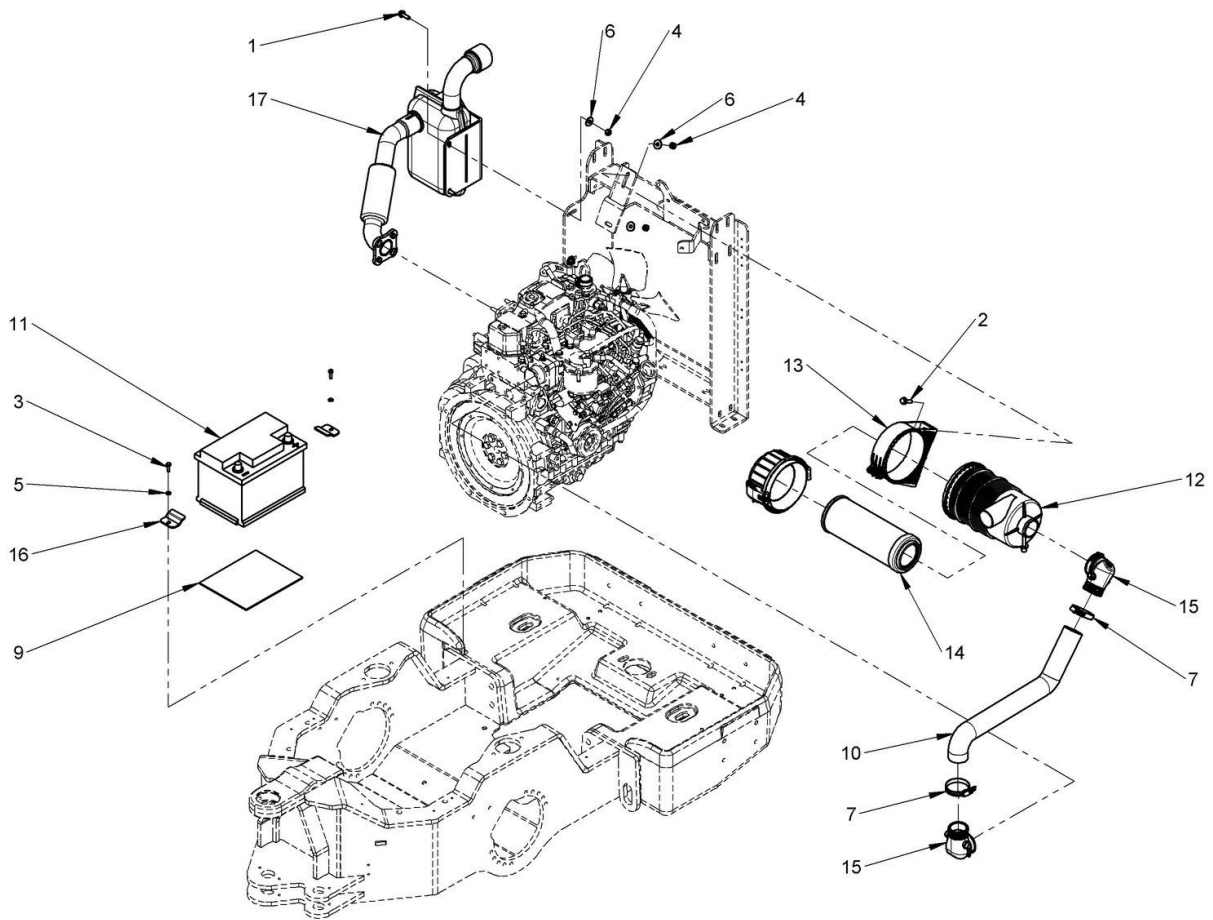
Draft and part list report
Serial n / code M332220 / C962005
Description MULTIONE 7.3+

| | | | |
|----|--------------------|---|----------|
| 17 | C023071 | PLAIN WASHER M8 8.4x16x1.6 UNI6592 | 4.00000 |
| 18 | C023072 | FLAT WASHER X M5 5.3x10x1 | 1.00000 |
| 19 | C023090 | FLAT WASHER M6 6.4x12x1.6 UNI 6592 | 2.00000 |
| 20 | C023100 | PLAIN WASHER LARGE SERIES M8 DIN 9021 | 10.00000 |
| 21 | C023110 | PLAIN WASHER LARGE SERIES M6 6.5X18X1.5 DIN9021 | 12.00000 |
| 22 | C030588 | OIL COOLER FOR MULTIONE S/SL800 SERIES | 1.00000 |
| 23 | C030606 | THERMOSWITCH 50-60 | 1.00000 |
| 25 | C030778 | 2 SECTION ELECTRIC HYDR DISTRIBUTOR | 1.00000 |
| 26 | C030779 | 2 SECTION HYDR DISTRIBUTOR | 1.00000 |
| 27 | C033001 | NIPPLES 3/8" G / 12L | 4.00000 |
| 28 | C033002 | NIPPLES 1/2" G / 12L | 2.00000 |
| 29 | C033003 | NIPPLES 1/2" G / 15L | 9.00000 |
| 30 | C033004 | NIPPLES 3/4" G - 22L | 1.00000 |
| 31 | C033032 | T-CONNECTION F-M-M 12L | 2.00000 |
| 32 | C033130 | ADJUSTABLE ELBOW FG22L / M22L | 1.00000 |
| 33 | C033137 | NIPPLES 1" - 22L | 2.00000 |
| 34 | C034002 | SUCTION ELETTRIC FAN 1305 MM | 1.00000 |
| 35 | C038711 | WATERPROOF THROTTLE CONTROL HAND LEVER | 1.00000 |
| 36 | C038712 | THROTTLE CABLE SL800 | 1.00000 |
| 37 | C272049 | BRACKET OIL COOLER | 2.00000 |
| 38 | C272050 | ELETTROFAN SUPPORT | 1.00000 |
| 39 | C284378 | RUBBER PROTECTION FRAME | 2.00000 |
| 40 | C272094 | M10 JOYSTICK PIN | 1.00000 |
| 41 | C281638 | THROTTLE SUPPORT | 1.00000 |
| 42 | C281639 | RELAY SUPPORT | 1.00000 |
| 43 | C281746 | HYDRAULIC VALVES SIDE SUPPORT | 1.00000 |
| 44 | C281853 | DISTRIBUTOR SUPPORT | 1.00000 |
| 45 | FF180/42.0001.0001 | JOYSTICK RUBBER PROTECTION FOR S630/SL800/GT900 | 1.00000 |
| 46 | FF180/42.0059.0360 | SHORT ORANGE RUBBER CUP FOR JOYSTICK | 1.00000 |
| 47 | FF180/42.0059.0361 | TALL ORANGE RUBBER CUP FOR JOYSTICK | 1.00000 |
| 48 | FF180/42.0059.0367 | GREEN RUBBER CUP FOR JOYSTICK | 1.00000 |
| 49 | FF180/42.0059.0368 | GRAY RUBBER CAP FOR JOYSTICK | 1.00000 |



Component list [TAV. 07 M1 6-7-8 ARTICULATION]

| Pos. | Code | Description | Q.ty |
|------|---------|--|---------|
| 1 | C018310 | BORES SEEGER RING İ62 DIN 472 | 4.00000 |
| 2 | C019201 | HEXAGON FLANGE BOLT M8x16 DIN 6921 | 2.00000 |
| 3 | C020295 | SCREW TSP 10.9 M8X16 | 4.00000 |
| 4 | C020548 | HEXAGON SOCKET OVAL HEAD SCREW M6x20 ZN UNI/ISO 7380 | 3.00000 |
| 5 | C023110 | PLAIN WASHER LARGE SERIES M6 6.5X18X1.5 DIN9021 | 1.00000 |
| 6 | C028271 | THREAD INSERT M6 | 3.00000 |
| 7 | | {{>desc}} | 1.00000 |
| 8 | C037637 | GE 35 FO 2RS RADIAL SPHERICAL PLAIN BEARING | 2.00000 |
| 9 | C090030 | GREASER M10X1 UNI 7663A | 4.00000 |
| 10 | C230164 | Ø30x66 PIN | 2.00000 |
| 11 | C230166 | FLANGED PIN Ø35 L=73 | 2.00000 |
| 12 | C281600 | REAR FRAME | 1.00000 |
| 13 | C281660 | FRONT FRAME M1 6-7-8 | 1.00000 |
| 14 | C281744 | POWER STEERING CYLINDER | 1.00000 |
| 15 | C281783 | POWER STEERING CYLINDER PROTECTION COVER | 1.00000 |



Component list [TAV. 08 M1 7.3 MUFFLER, BATTERY AND AIR FILTER]

| Pos. | Code | Description | Q.ty |
|------|---------|--|---------|
| 1 | C019203 | HEXAGON FLANGE BOLT M8X25 ISO 1665 | 2.00000 |
| 2 | C019204 | HEXAGON FLANGE BOLT M8X30 ZB UNI EN ISO 1665 | 2.00000 |
| 3 | C020051 | ISO 4017 M6x20 SCREW | 2.00000 |
| 4 | C021502 | SLOTTED AND CASTLE HEXAGON NUTS M8 DIN980 | 4.00000 |
| 5 | C023090 | FLAT WASHER M6 6.4x12x1.6 UNI 6592 | 2.00000 |
| 6 | C023100 | PLAIN WASHER LARGE SERIES M8 DIN 9021 | 4.00000 |
| 7 | C029031 | CLAMP MEB 12 INOX 40-60 | 2.00000 |
| 8 | C029032 | STAINLESS STEEL CLAMP 30-45 BELT 12 | 2.00000 |
| 9 | C029253 | PANNELLO IN GOMMA ANTIVIBRAZIONI mm. 210x175 Sp. 3 | 1.00000 |
| 10 | C036019 | AIR INTAKE RUBBER HOSE | 1.00000 |
| 11 | C036432 | BATTERY 12V 62AH | 1.00000 |
| 12 | C039055 | 5''' AIR FILTER BODY | 1.00000 |
| 13 | C039057 | CLAMP FOR AIR FILTER 5''' | 1.00000 |
| 14 | C039060 | 5''' AIR FILTER CARTRIDGE AFTER 07/2005 | 1.00000 |
| 15 | C039104 | 5''' AIR FILTER 90° PIPE MALE/FEMALE 151 | 2.00000 |
| 16 | C277108 | BATTERY BRACKET | 2.00000 |

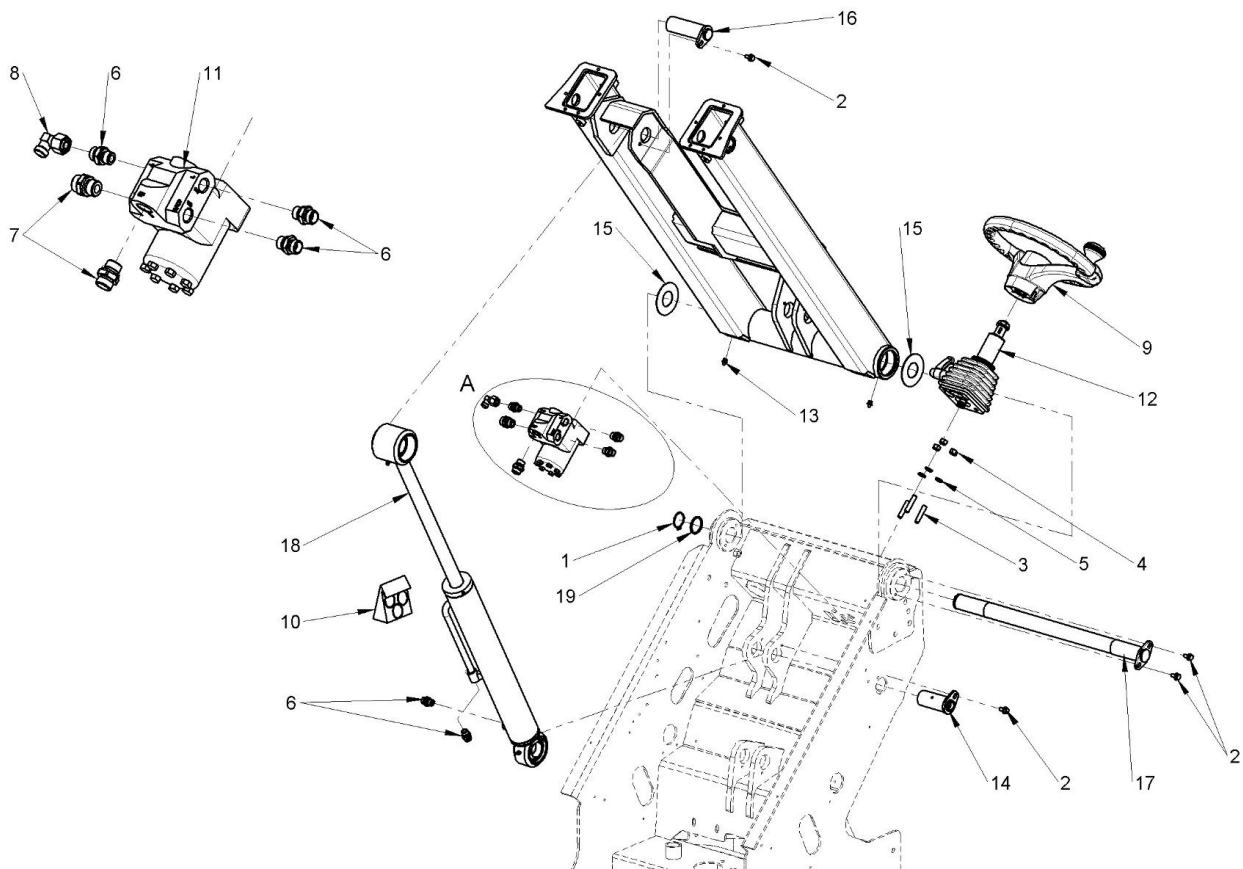


Draft and part list report
Serial n / code M332220 / C962005
Description MULTIONE 7.3+

17 C039203

MUFFLER FOR M1 7.3, 7.3SD

1.00000



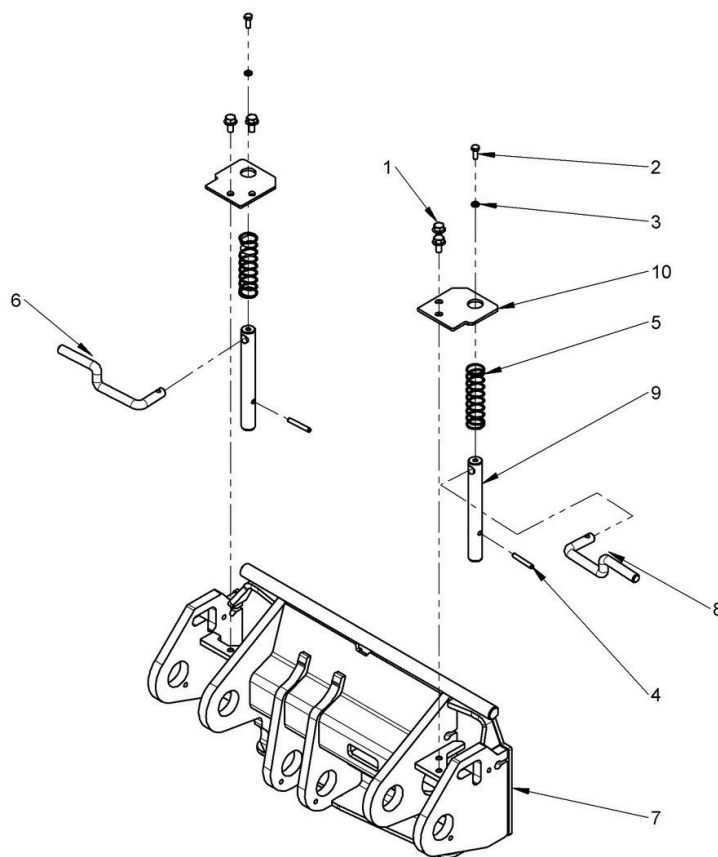
Component list [TAV. 09 M1 7-8 LIFTING BOOM AND POWER STEERING]

| Pos. | Code | Description | Q.ty |
|------|---------|--|---------|
| 1 | C018300 | SEGER RINGI ĩ40 UNI 7435 | 1.00000 |
| 2 | C019201 | HEXAGON FLANGE BOLT M8x16 DIN 6921 | 4.00000 |
| 3 | C020551 | THREAD BAR M10X50 | 3.00000 |
| 4 | C021503 | SELF-LOCKING HEXAGONAL NUT M10 ZN DIN980 | 3.00000 |
| 5 | C023080 | FLAT WASHER X M10 10.5X20X2 | 3.00000 |
| 6 | C033001 | NIPPLES 3/8" G / 12L | 5.00000 |
| 7 | C033003 | NIPPLES 1/2" G / 15L | 2.00000 |
| 8 | C033024 | ELBOW FITTING F12L ORIENT. /M12L | 1.00000 |
| 9 | C036465 | STEERING WHEEL BLUE | 1.00000 |
| 10 | | {{>desc}} | 1.00000 |
| 11 | C038510 | STEERING UNIT S/SL/GT>2007/MIG 80CC | 1.00000 |
| 12 | C038517 | ADJUSTING STEERING COLUMN L=150 | 1.00000 |
| 13 | C090030 | GREASER M10X1 UNI 7663A | 2.00000 |
| 14 | C272222 | FLANGED PIN Ø40X90 CYLINDER FOR LIFTING BOOM | 1.00000 |
| 15 | C274024 | Ø88-Ø40,5 TH 1,5 SPACER | 2.00000 |
| 16 | C279267 | QTRAK 1500 TOP TILT PLATE CYLINDER PIN | 1.00000 |



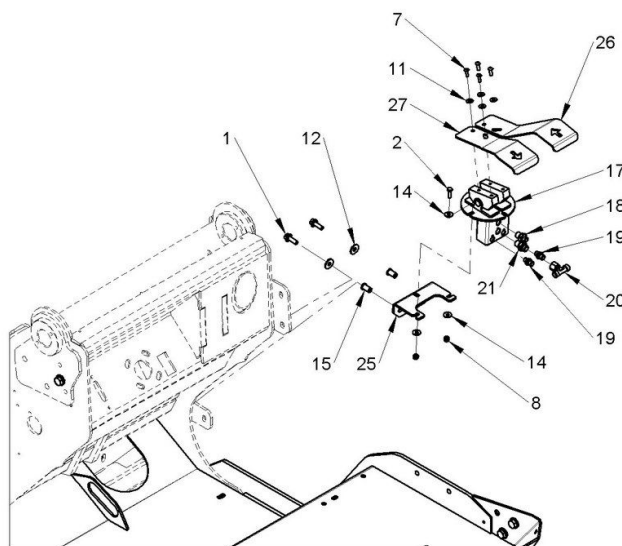
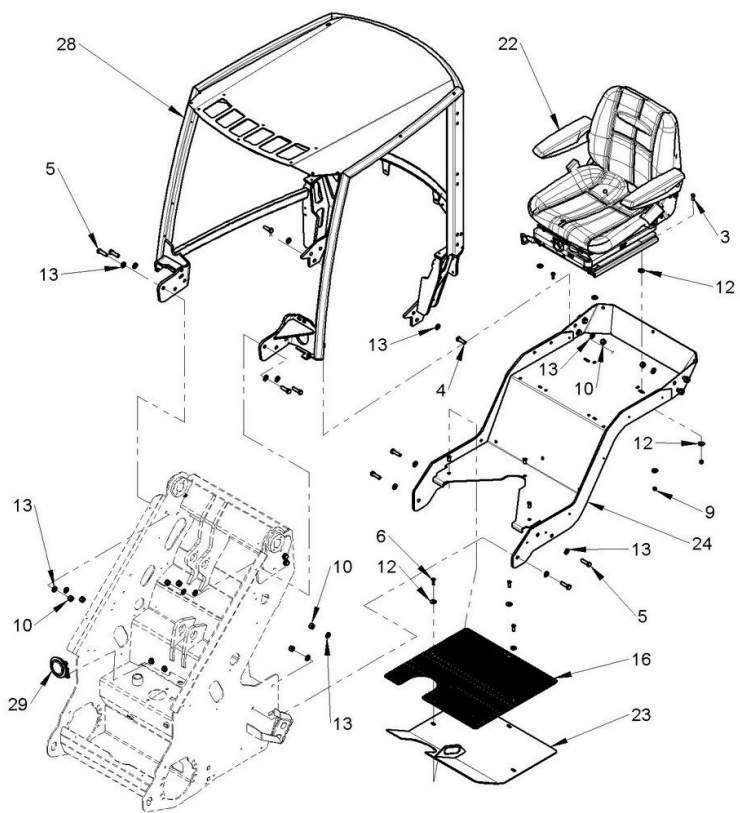
Draft and part list report
Serial n / code M332220 / C962005
Description MULTIONE 7.3+

| | | | |
|----|---------|-----------------------|---------|
| 17 | C281623 | Ø40x635 PIN | 1.00000 |
| 18 | C283098 | LIFTING BOOM CYLINDER | 1.00000 |
| 19 | C284489 | Ø40-Ø46 TH 3 SPACER | 1.00000 |



Component list [TAV. 10 M1 9-7-8 COUPLING PLATE]

| Pos. | Code | Description | Q.ty |
|------|-----------|---|---------|
| 1 | C019201 | HEXAGON FLANGE BOLT M8x16 DIN 6921 | 4.00000 |
| 2 | C020050 | HEXAGON HEAD PIPE PLUG M6X16 UNI 5739 | 2.00000 |
| 3 | C023040 | M6 NORD LOCK WASHER | 2.00000 |
| 4 | C028267 | SPRING TYPE STRAIGHT PIN ĩ6x40 UNI 6875 | 2.00000 |
| 5 | C220330 | COMPRESSION SPRING | 2.00000 |
| 6 | C281827 | LEFT LEVER, COUPLING PLATE | 1.00000 |
| 7 | C281860 | COUPLING PLATE | 1.00000 |
| 8 | C281869 | RIGHT LEVER, COUPLING PLATE | 1.00000 |
| 9 | C281870/L | LOCKIN ATTACHMENTS PIN | 2.00000 |
| 10 | C281871 | CENTERING PIN PLATE | 2.00000 |



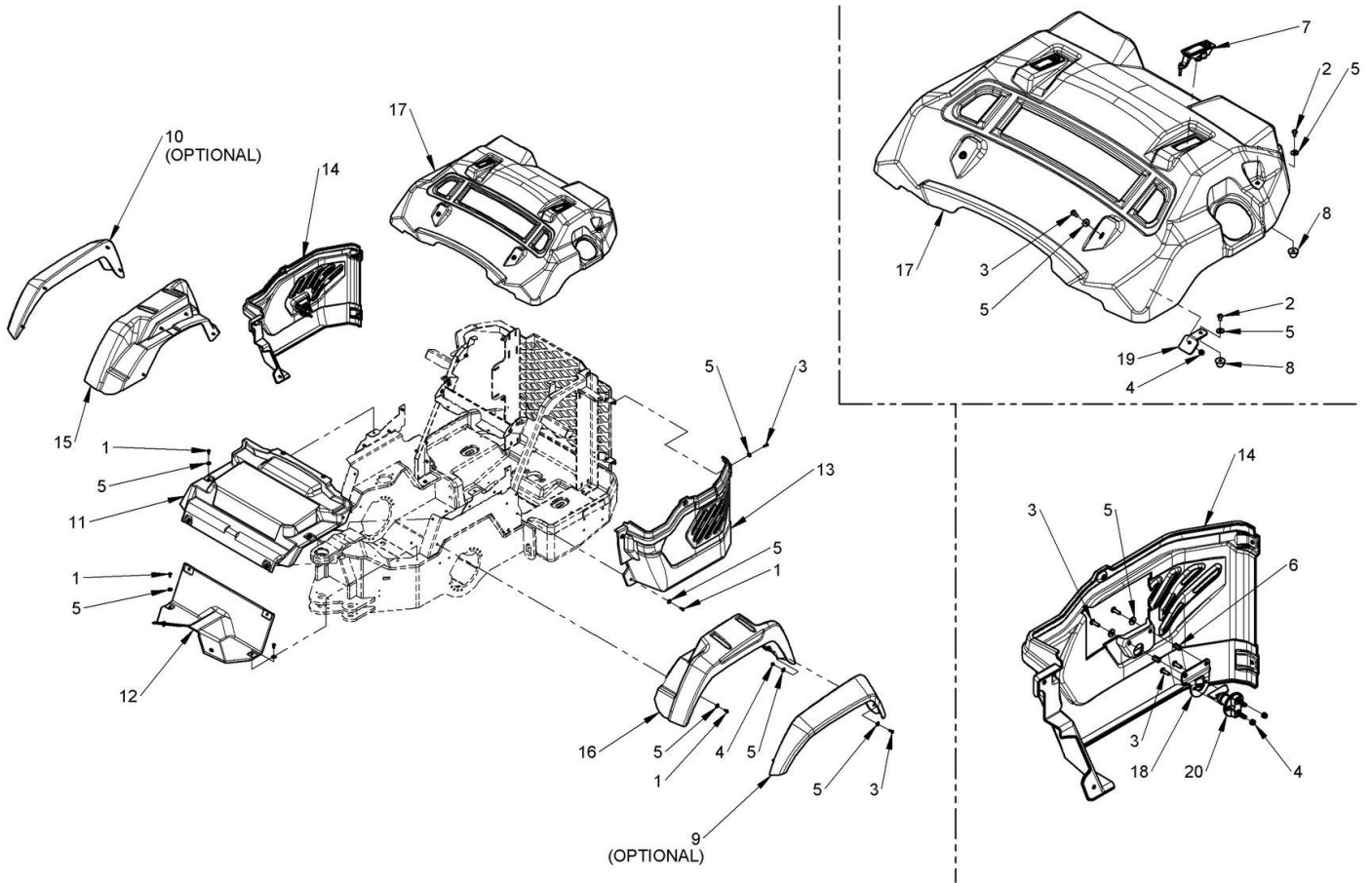
Component list [TAV. 11 M1 6.3S-7-8 ROLLBAR, SEAT AND PEDALS]

| Pos. | Code | Description | Q.ty |
|------|---------|---|----------|
| 1 | C019203 | HEXAGON FLANGE BOLT M8X25 ISO 1665 | 2.00000 |
| 2 | C020051 | ISO 4017 M6x20 SCREW | 2.00000 |
| 3 | C020072 | HEXAGON HEAD BOLT 8.8 M8X20 UNI 5739 | 4.00000 |
| 4 | C020133 | {{>desc}} | 10.00000 |
| 5 | C020139 | HEXAGON HEAD SCREW M12x40 UNI 4017 | 8.00000 |
| 6 | C020543 | HEXAGON SOCKET OVAL HEAD SCREW M8x25 ISO 7380 | 3.00000 |
| 7 | C020547 | HEXAGON SOCKET OVAL HEAD SCREW M5x16 ISO 7380 | 4.00000 |
| 8 | C021104 | PREVAILING TORQUE-TYPE HEXAGONAL NUTS WITH POLYAMIDE RING M6 UNI 7473 | 2.00000 |
| 9 | C021502 | SLOTTED AND CASTLE HEXAGON NUTS M8 DIN980 | 4.00000 |
| 10 | C021504 | SELF BRAKING NUT M12 DIN 980 | 14.00000 |
| 11 | C023098 | PLAIN WASHER LARGE SERIES M5 DIN 9021 | 4.00000 |
| 12 | C023100 | PLAIN WASHER LARGE SERIES M8 DIN 9021 | 13.00000 |
| 13 | C023102 | PLAIN WASHER M12 UNI 6592 | 32.00000 |
| 14 | C023110 | PLAIN WASHER LARGE SERIES M6 6.5X18X1.5 DIN9021 | 4.00000 |
| 15 | C028270 | THREAD INSERT M8 | 5.00000 |
| 16 | C029259 | ROOF PADS FOR MULTIONE M1 | 1.00000 |



Draft and part list report
Serial n / code M332220 / C962005
Description MULTIONE 7.3+

| | | | |
|----|--------------|---|---------|
| 17 | C030729 | TWIN PEDAL CONTROL BLOCK W/OUT PEDAL | 1.00000 |
| 18 | C033007 | NIPPLES 1/4"" GAS / 6L | 1.00000 |
| 19 | C033008 | NIPPLES 1/8"" GAS / 6L | 2.00000 |
| 20 | C033086 | TEES-CONNECTION M-F-M 8L | 1.00000 |
| 21 | C033134 | NIPPLES 1/4GAS-8L | 1.00000 |
| 22 | C036751 | FULL SUSPENSION SEAT FOR MULTIONE 2009 BLUE | 1.00000 |
| 23 | C281747 | UNDER FEET PLATFORM | 1.00000 |
| 24 | C281763 | FIXING BASE SEAT M1 6->10 | 1.00000 |
| 25 | C281766 | PEDAL CONTROL BLOCK SUPPORT | 1.00000 |
| 26 | C281767 | FORWARD PEDAL | 1.00000 |
| 27 | C281768 | BACKWARDS PEDAL | 1.00000 |
| 28 | C282200 | ROLL-BAR FRAME REV.16 | 1.00000 |
| 29 | FF180/135007 | HORN DEVICE | 1.00000 |



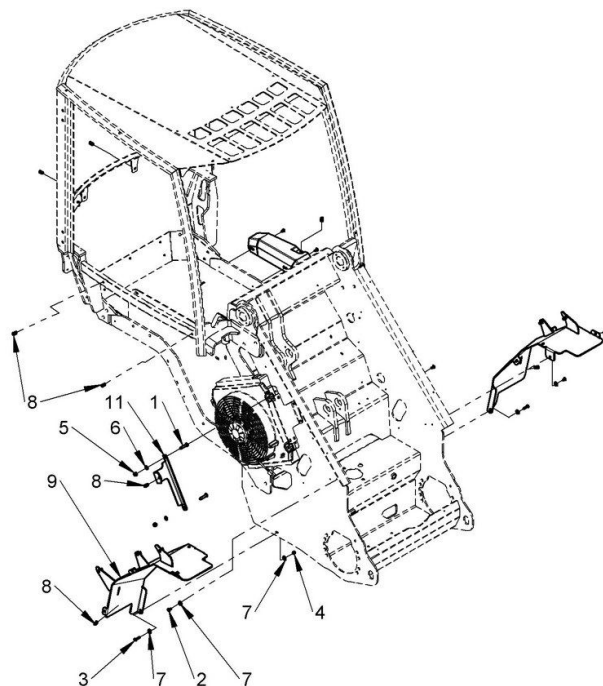
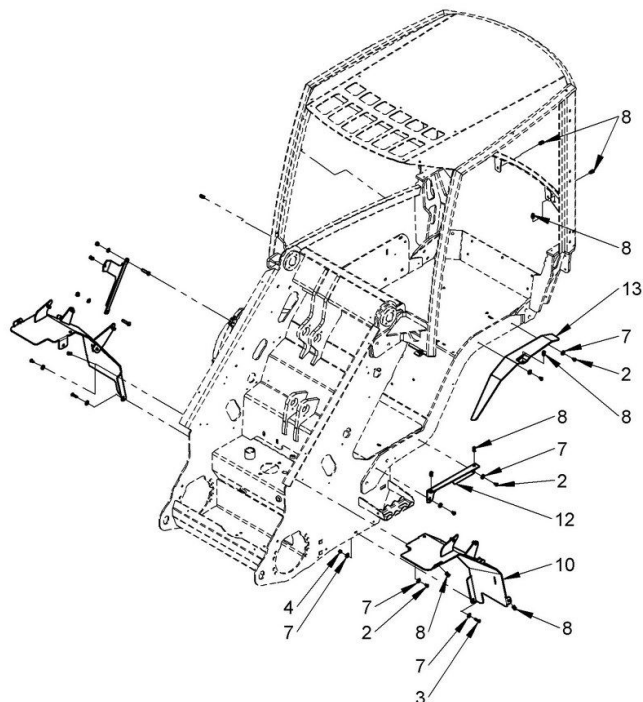
Component list [TAV. 13 M1 7-8 REAR PLASTIC COVER]

| Pos. | Code | Description | Q.ty |
|------|---------|---|----------|
| 1 | C020145 | HEXAGON SOCKET OVAL HEAD SCREW M6x16 ISO 7380 | 22.00000 |
| 2 | C020542 | HEXAGON SOCKET OVAL HEAD SCREW M6x12 ZN ISO 7380 | 4.00000 |
| 3 | C020548 | HEXAGON SOCKET OVAL HEAD SCREW M6x20 ZN UNI/ISO 7380 | 20.00000 |
| 4 | C021104 | PREVAILING TORQUE-TYPE HEXAGONAL NUTS WITH POLYAMIDE RING M6 UNI 7473 | 12.00000 |
| 5 | C023110 | PLAIN WASHER LARGE SERIES M6 6.5X18X1.5 DIN9021 | 52.00000 |
| 6 | C028271 | THREAD INSERT M6 | 2.00000 |
| 7 | C035099 | LOCK HANDLE | 2.00000 |
| 8 | C035142 | PARABOLIC SILENT BLOCK İ24 H=16 | 4.00000 |
| 9 | C041414 | REAR LEFT MUD GUARD EXTENSION | 1.00000 |
| 10 | C041415 | REAR RIGHT MUD GUARD EXTENSION | 1.00000 |
| 11 | C041419 | OVER PUMPS COVER | 1.00000 |
| 12 | C041420 | OVER ARTICULATION COVER | 1.00000 |
| 13 | C041421 | REAR LEFT SIDE COVER | 1.00000 |
| 14 | C041422 | REAR RIGHT SIDE COVER | 1.00000 |
| 15 | C041447 | REAR RIGHT MUDGUARD ASSEMBLY | 1.00000 |
| 16 | C041448 | REAR LEFT MUDGUARD ASSEMBLY | 1.00000 |



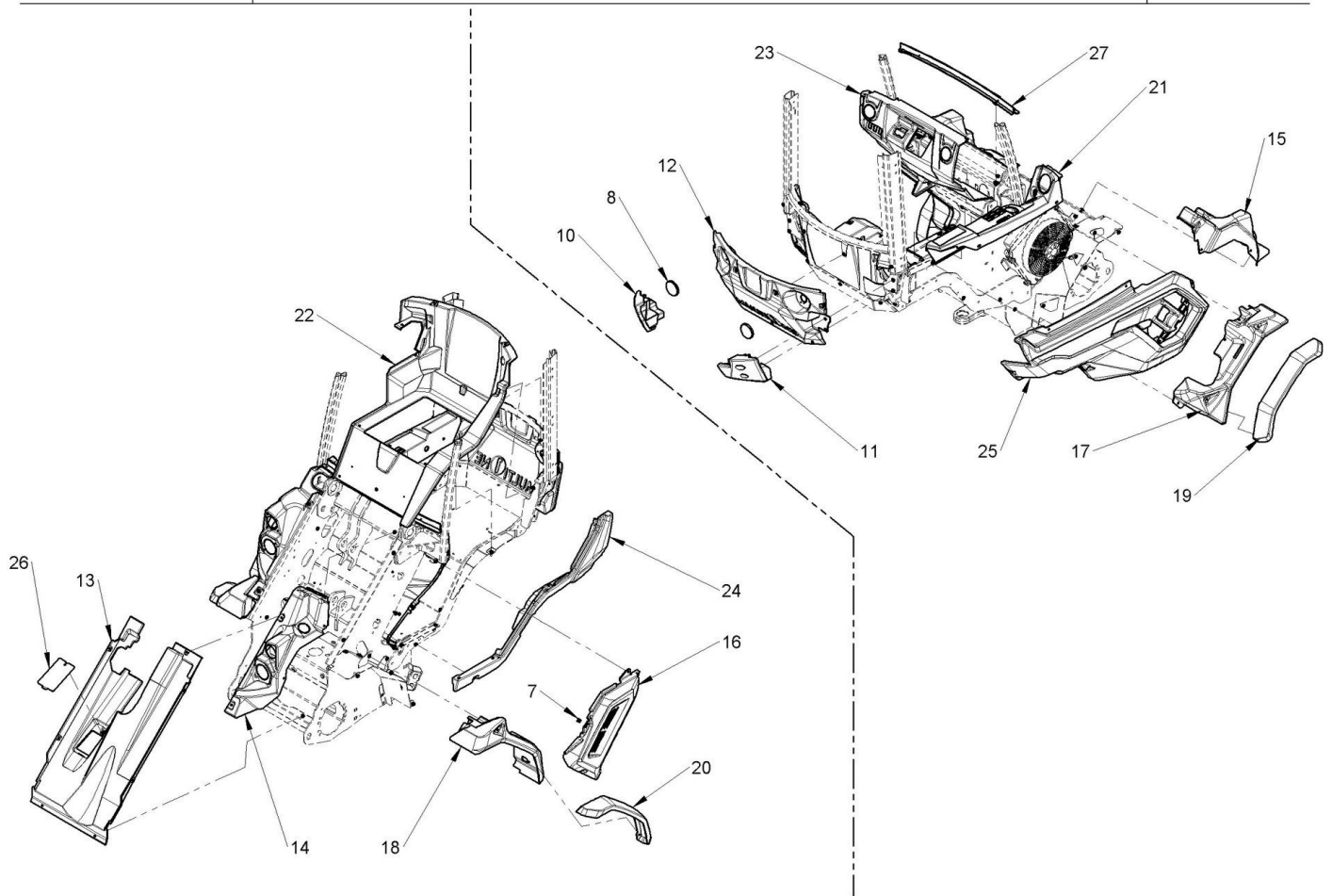
Draft and part list report
Serial n / code M332220 / C962005
Description MULTIONE 7.3+

| | | | |
|----|-----------------|------------------------|---------|
| 17 | C041472 | ENGINE HOOD ASSY | 1.00000 |
| 18 | C281889 | BATTERY SWITCH SUPPORT | 1.00000 |
| 19 | C282241 | SILENT BLOCK BRACKET | 2.00000 |
| 20 | FF180/0034.0303 | BATTERY SWITCH | 1.00000 |



Component list [TAV. 14 FRONT PLASTIC COVER SUPPORT]

| Pos. | Code | Description | Q.ty |
|------|---------|---|----------|
| 1 | C020076 | HEX SCREW TE 8.8 M8X35 ZB UNI 5739 | 2.00000 |
| 2 | C020542 | HEXAGON SOCKET OVAL HEAD SCREW M6x12 ZN ISO 7380 | 8.00000 |
| 3 | C020546 | HEXAGON SOCKET OVAL HEAD SCREW M6x25 ISO 7380 | 2.00000 |
| 4 | C021104 | PREVAILING TORQUE-TYPE HEXAGONAL NUTS WITH POLYAMIDE RING M6 UNI 7473 | 2.00000 |
| 5 | C021502 | SLOTTED AND CASTLE HEXAGON NUTS M8 DIN980 | 2.00000 |
| 6 | C023071 | PLAIN WASHER M8 8.4x16x1.6 UNI6592 | 2.00000 |
| 7 | C023110 | PLAIN WASHER LARGE SERIES M6 6.5X18X1.5 DIN9021 | 12.00000 |
| 8 | C028271 | THREAD INSERT M6 | 30.00000 |
| 9 | C281883 | RIGHT MUDGUARD ASSEMBLY | 1.00000 |
| 10 | C281884 | LEFT MUDGUARD ASSEMBLY | 1.00000 |
| 11 | C281892 | FRONT RIGHT COVER SUPPORT | 1.00000 |
| 12 | C281894 | SUPPORT FOR PLASTIC STEP FRAME M1 3->10 | 1.00000 |
| 13 | C281895 | UNDER SEAT COVER SUPPORT REV.01 | 1.00000 |



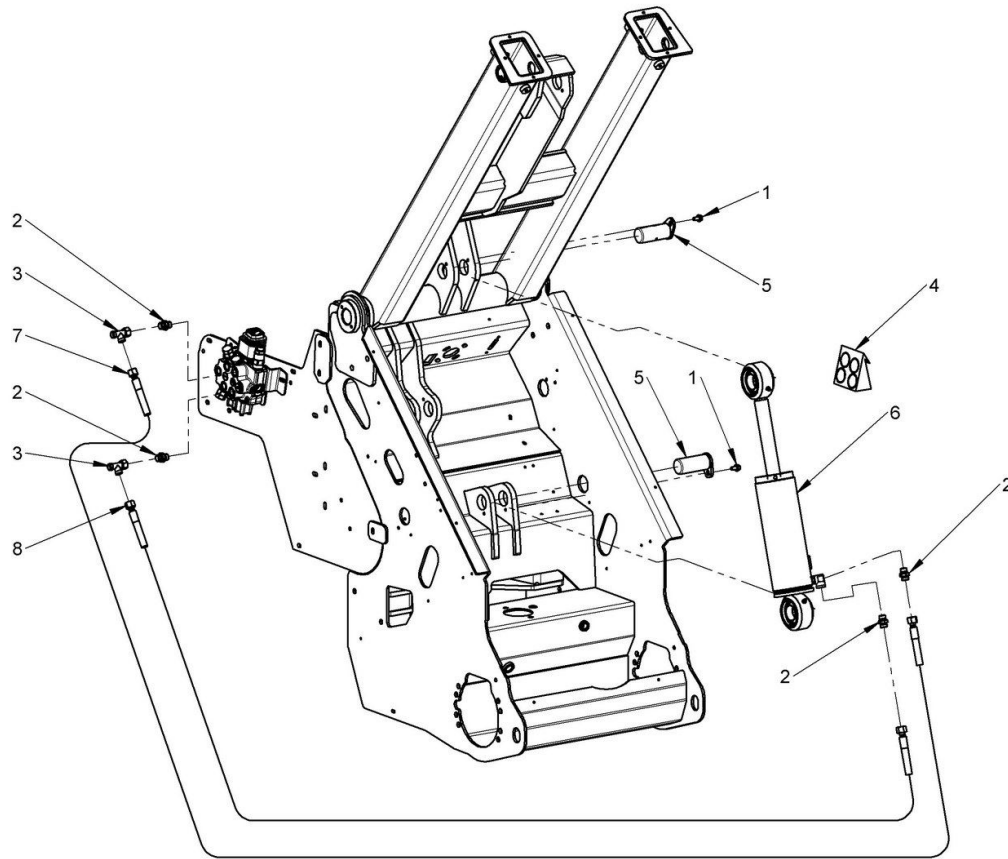
Component list [TAV. 15 M1 7-8 FRONT PLASTIC COVER]

| Pos. | Code | Description | Q.ty |
|------|---------|---|----------|
| 1 | C020145 | HEXAGON SOCKET OVAL HEAD SCREW M6x16 ISO 7380 | 38.00000 |
| 2 | C020546 | HEXAGON SOCKET OVAL HEAD SCREW M6x25 ISO 7380 | 3.00000 |
| 3 | C020548 | HEXAGON SOCKET OVAL HEAD SCREW M6x20 ZN UNI/ISO 7380 | 32.00000 |
| 4 | C021104 | PREVAILING TORQUE-TYPE HEXAGONAL NUTS WITH POLYAMIDE RING M6 UNI 7473 | 2.00000 |
| 5 | C023110 | PLAIN WASHER LARGE SERIES M6 6.5X18X1.5 DIN9021 | 75.00000 |
| 6 | C028271 | THREAD INSERT M6 | 1.00000 |
| 7 | C028285 | MULTITHREAD U-TYPE NUT M6 | 12.00000 |
| 8 | C034018 | Ø80 RED RETRO REFLECTOR | 2.00000 |
| 9 | C036153 | HORN SWITCH | 2.00000 |
| 10 | C041386 | LEFT RUBBER PROTECTION MK-MZ | 1.00000 |
| 11 | C041387 | RIGHT RUBBER PROTECTION MK-MZ | 1.00000 |
| 12 | C041427 | BACK CABIN COVER WITH NO A/C | 1.00000 |
| 13 | C041428 | UNDER BOOM COVER | 1.00000 |
| 14 | C041429 | FRONT LEFT LIGHT SUPPORT | 1.00000 |
| 15 | C041430 | FRONT RIGHT LIGHT SUPPORT | 1.00000 |
| 16 | C041431 | FRONT LEFT SIDE COVER | 1.00000 |



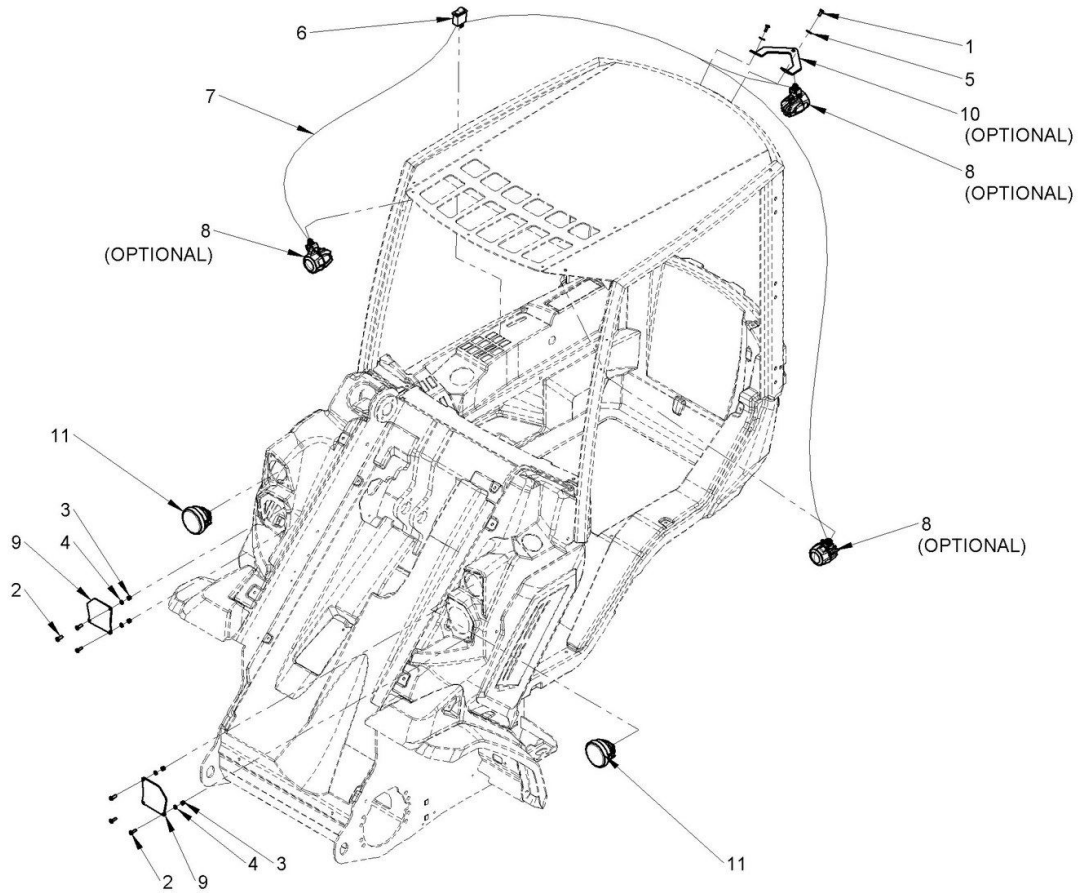
Draft and part list report
Serial n / code M332220 / C962005
Description MULTIONE 7.3+

| | | | |
|----|---------|---------------------------------|---------|
| 17 | C041432 | FRONT RIGHT WHEEL BOX | 1.00000 |
| 18 | C041433 | FRONT LEFT WHEEL BOX | 1.00000 |
| 19 | C041434 | FRONT RIGHT MUD GUARD EXTENSION | 1.00000 |
| 20 | C041435 | FRONT LEFT MUD GUARD EXTENSION | 1.00000 |
| 21 | C041436 | RIGHT DASHBOARD | 1.00000 |
| 22 | C041437 | UNDER SEAT COVER | 1.00000 |
| 23 | C041438 | FRONT DASHBOARD COVER | 1.00000 |
| 24 | C041443 | LEFT DOOR SLAM | 1.00000 |
| 25 | C041446 | COMPOSED FRONT RIGHT SIDE | 1.00000 |
| 26 | C281893 | OIL TANK INSPECTION DOOR | 1.00000 |
| 27 | C282239 | FRONT GLASS SUPPORT | 1.00000 |



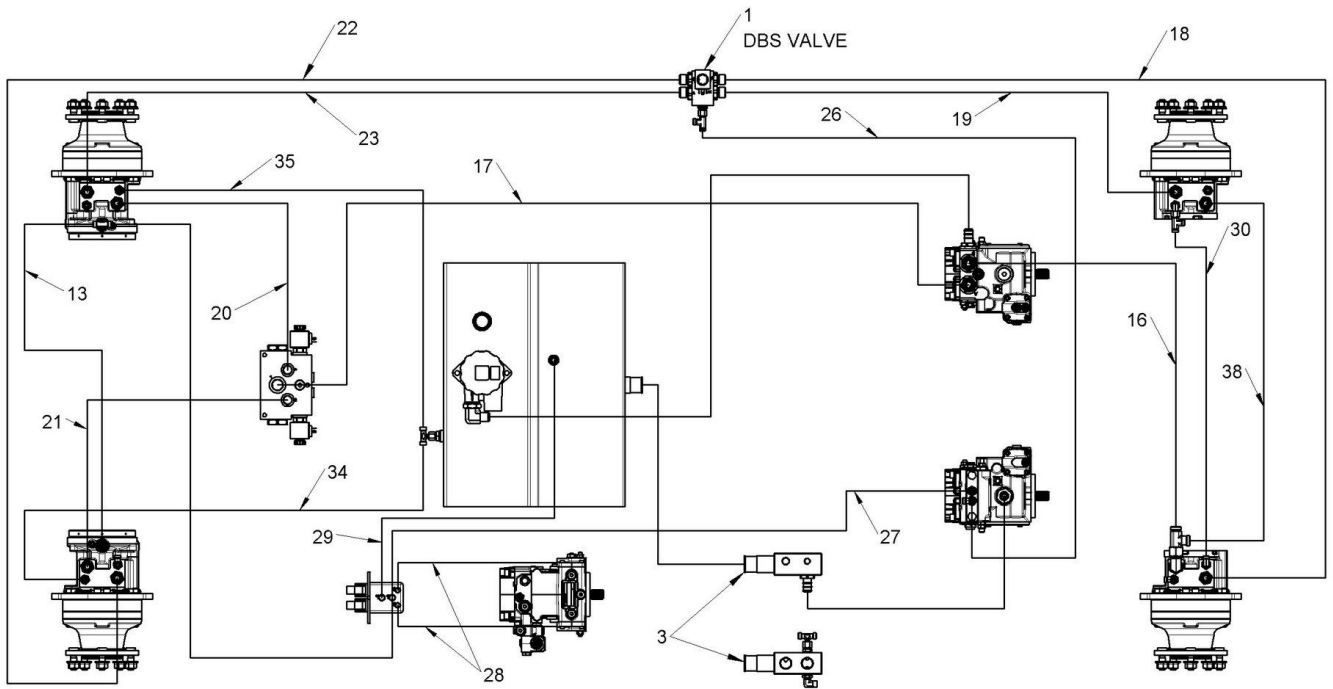
Component list [TAV. 16 M1 7-8 SELF LEVELING]

| Pos. | Code | Description | Q.ty |
|------|------------|--|---------|
| 1 | C019201 | HEXAGON FLANGE BOLT M8x16 DIN 6921 | 2.00000 |
| 2 | C033001 | NIPPLES 3/8" G / 12L | 4.00000 |
| 3 | C033032 | T-CONNECTION F-M-M 12L | 2.00000 |
| 4 | | {{>desc}} | 1.00000 |
| 5 | C272222 | FLANGED PIN Ø40X90 CYLINDER FOR LIFTING BOOM | 2.00000 |
| 6 | C281772 | 90-35-177 SELF-LEVELING CYLINDER M1 7-8 M1 SD 7-8 | 1.00000 |
| 7 | C810367/28 | TUBO 3/8, FD12L-FD12L, L=1600HOSE 3/8, FD12L-FD12L, L=1600 | 2.00000 |
| 8 | C810367/29 | TUBO 3/8, FD12L-FD12L, L=1500HOSE 3/8, FD12L-FD12L, L=1500 | 2.00000 |



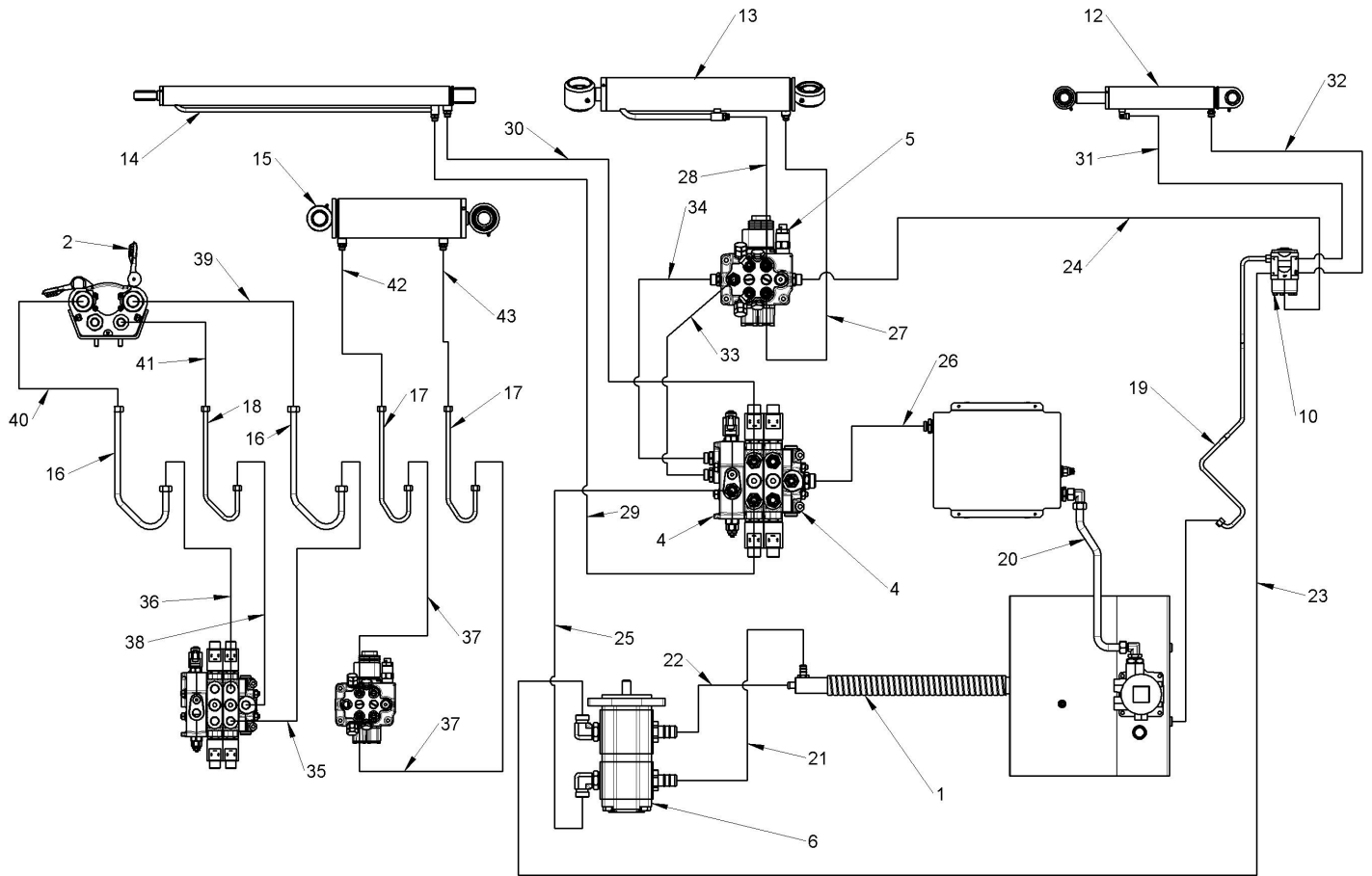
Component list [TAV. 17 M1 6-7-8 STANDARD AND OPTIONAL WORK LIGHT]

| Pos. | Code | Description | Q.ty |
|------|-----------------------|---|---------|
| 1 | C020145 | HEXAGON SOCKET OVAL HEAD SCREW M6x16 ISO 7380 | 2.00000 |
| 2 | C020548 | HEXAGON SOCKET OVAL HEAD SCREW M6x20 ZN UNI/ISO 7380 | 6.00000 |
| 3 | C021104 | PREVAILING TORQUE-TYPE HEXAGONAL NUTS WITH POLYAMIDE RING M6 UNI 7473 | 6.00000 |
| 4 | C023090 | FLAT WASHER M6 6.4x12x1.6 UNI 6592 | 6.00000 |
| 5 | C023110 | PLAIN WASHER LARGE SERIES M6 6.5X18X1.5 DIN9021 | 2.00000 |
| 6 | C036159 | ADDITIONAL WORK LIGHT SWITCH | 1.00000 |
| 7 | C038030 | 3 WORKING LIGHT ON ROOF FOR M1 WIRING | 1.00000 |
| 8 | C036101 | LED WORKING LIGHT WITH BRACKET | 3.00000 |
| 9 | C281604 | ROAD HOLE BLINDING PLATE | 2.00000 |
| 10 | C282236 | BACK WORK LIGHT SUPPORT | 1.00000 |
| 11 | FF180/05.0697.0000.03 | FRONT WORKING LIGHT, HALOGEN | 2.00000 |



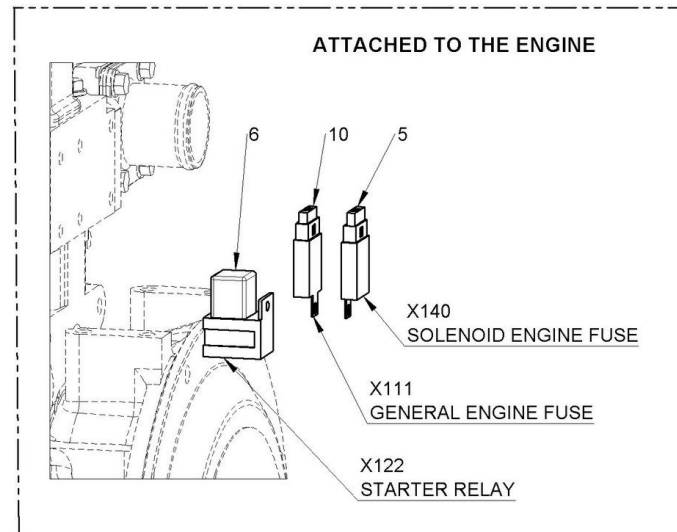
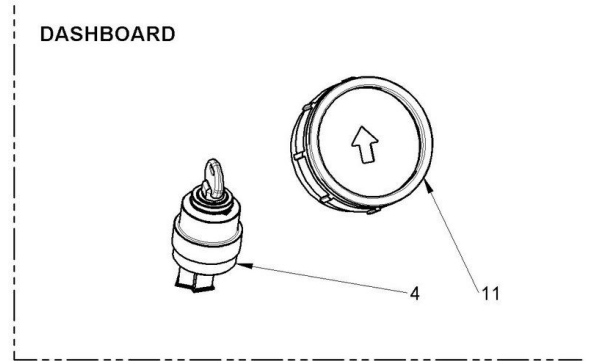
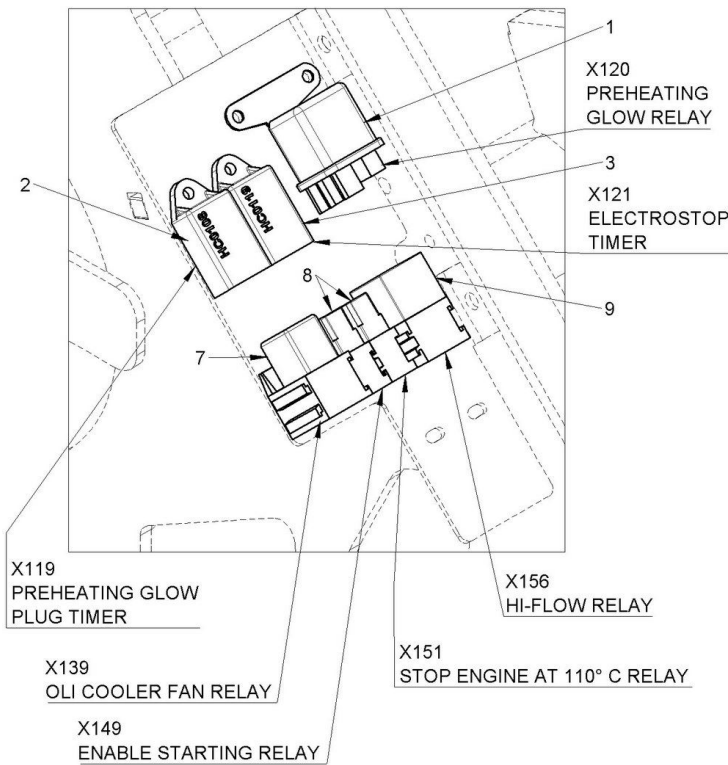
Component list [TAV. 18 M1 7.3-8.4 HYDRAULIC TRANSMISSION]

| Pos. | Code | Description | Q.ty |
|------|---------|-------------------------------|---------|
| 1 | C031052 | DBS TRANSMISSION VALVE | 1.00000 |
| 2 | C036621 | ELECTROVALVE 3WAY G3/8 12V DC | 1.00000 |
| 3 | C274183 | INTAKE OIL COLLECTOR | 2.00000 |



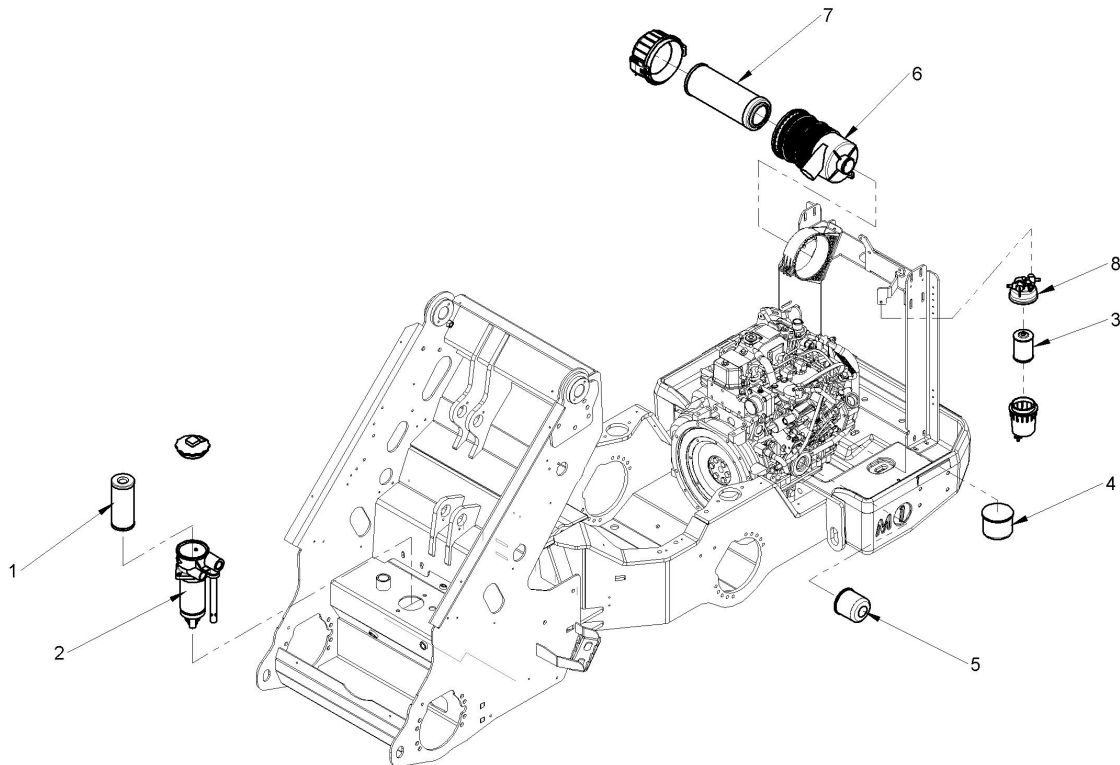
Component list [TAV. 20 M1 7-8 SERVICE HYDRAULIC PLANT]

| Pos. | Code | Description | Q.ty |
|------|---------|--|---------|
| 1 | C030120 | SUCTION PIPE $\varnothing 38\text{-}\varnothing 47 \times 420$ | 1.00000 |
| 2 | C030480 | HYDRAULIC MULTICONNECTOR, FIX 3 WAY | 1.00000 |
| 3 | C030588 | OIL COOLER FOR MULTIONE S/SL800 SERIES | 1.00000 |
| 4 | C030778 | 2 SECTION ELECTRIC HYDR DISTRIBUTOR | 2.00000 |
| 5 | C030779 | 2 SECTION HYDR DISTRIBUTOR | 2.00000 |
| 6 | C030989 | 20+11 cc TWIN GEAR PUMP | 1.00000 |
| 7 | C033001 | NIPPLES 3/8" G / 12L | 6.00000 |
| 8 | C033300 | STRAIGHT HOSE CONNECTOR 3/4" FOR 3/4" HOSE | 3.00000 |
| 9 | C036628 | FILTER ASSY FOR SL800P/S500/600 2; GEN | 1.00000 |
| 10 | C038510 | STEERING UNIT S/SL/GT>2007/MIG 80CC | 1.00000 |
| 11 | C274183 | INTAKE OIL COLLECTOR | 1.00000 |
| 12 | | CILINDRO STERZOPOWER STERING CYLINDER | 1.00000 |
| 13 | | CILINDRO ALZATA BRACCIOLIFTING BOOM CYLINDER | 1.00000 |
| 14 | | CILINDRO SFILU TELETELESCOPIC CYLINDER | 1.00000 |
| 15 | | CILINDRO GIROPIASTRATILT PLATE CYLINDER | 1.00000 |



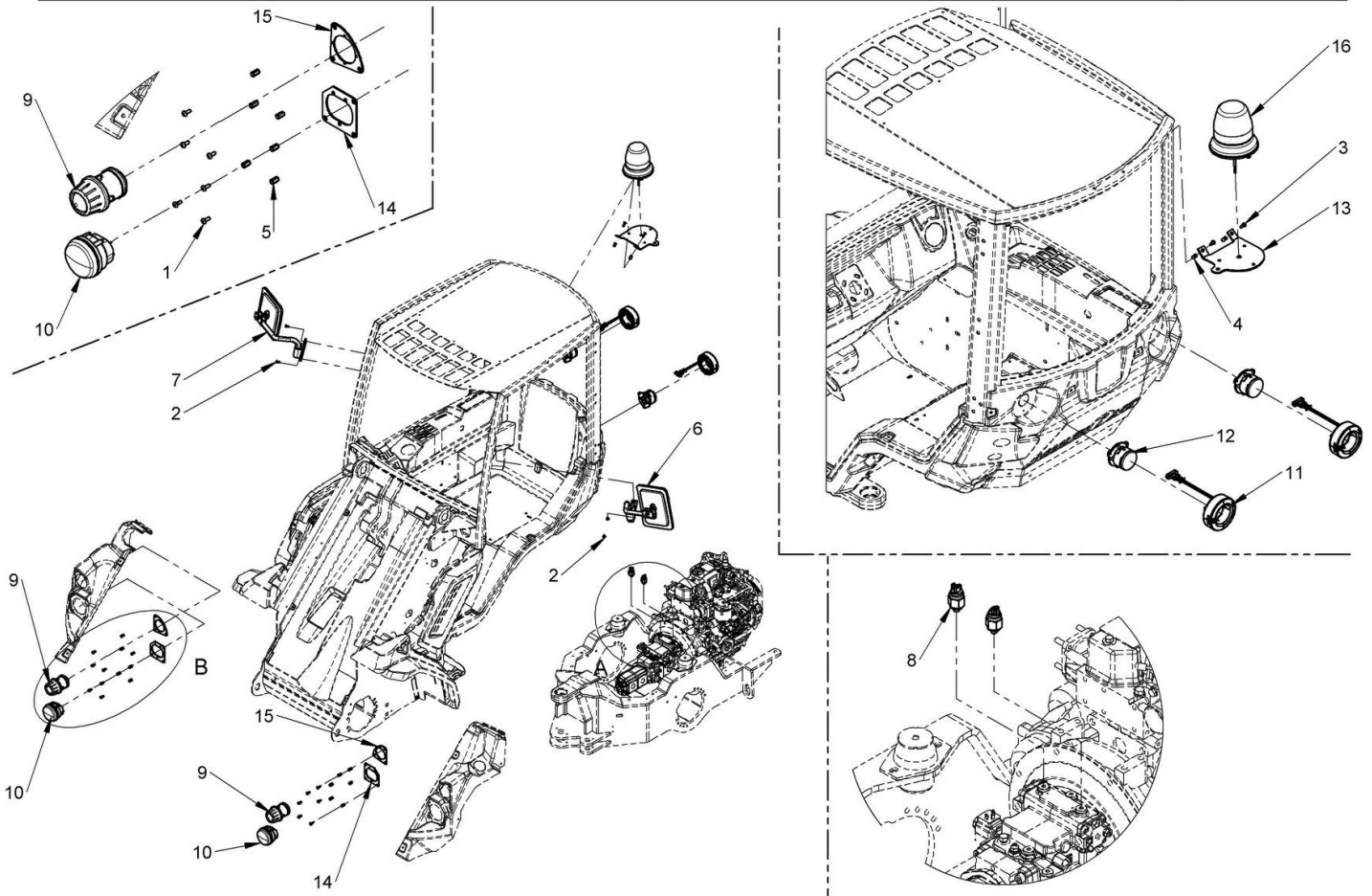
Component list [TAV. 28 M1 6->9 ELECTRIC PARTS]

| Pos. | Code | Description | Q.ty |
|------|--------------------|------------------------------------|---------|
| 1 | FF163/119650-77911 | RELE' DI PRERISCALDO MOTORE YANMAR | 1.00000 |
| 2 | FF163/128300-77920 | TIMER CANDELETTE HC0108 | 1.00000 |
| 3 | FF163/129211-77920 | TIMER ELETTROSTOP HC0119 | 1.00000 |
| 4 | FF180/0005.0061 | BLOCCHETTO ACCENSIONE | 1.00000 |
| 5 | FF180/30.14.10021 | FUSIBILE MAXI 30A | 1.00000 |
| 6 | FF180/30.45.09448 | RELE' DI POTENZA CB1AH-12V/70A | 1.00000 |
| 7 | FF180/30.45.52003 | RELE' MINI CON DIODO 12V | 1.00000 |
| 8 | FF180/30.45.520004 | MICRO RELE' | 2.00000 |
| 9 | FF180/01171028 | RELE' | 1.00000 |
| 10 | FF180/3013895 | FUSIBILE MAXI 40A | 1.00000 |
| 11 | FF180/08700058.00 | STRUMENTO MULTIFUNZIONE | 1.00000 |



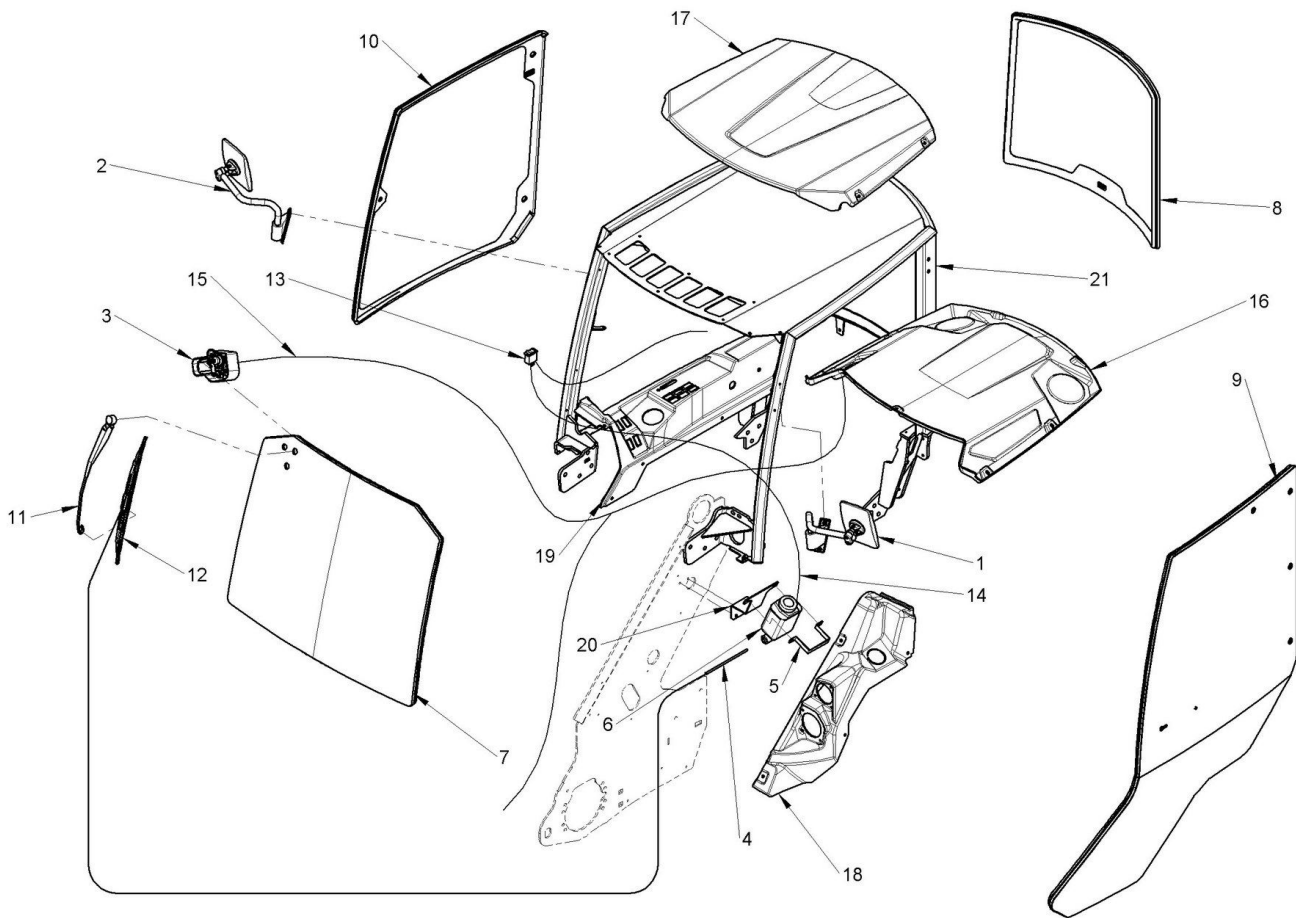
Component list [TAV. 29 M1 7-8 FILTERS]

| Pos. | Code | Description | Q.ty |
|------|--------------------|--|---------|
| 1 | C036627 | CARTRIDGE HYDRAULIC OIL FILTER FOR S500/S600/SL840P/SL800 2 \downarrow GEN | 1.00000 |
| 2 | C036628 | FILTER ASSY FOR SL800P/S500/600 2 \downarrow GEN | 1.00000 |
| 3 | C039029 | WATER SEP CARTRIDGE | 1.00000 |
| 4 | C039044 | FUEL FILTER FOR A700Y,SL35,SL835,SL840,GT(TNV) >2007,GT950,QTRAK1235,1240,1550 | 1.00000 |
| 5 | C039045 | ENGINE OIL FILTER FOR YANMAR 3TNV78-82-88,4TNV88-98 | 1.00000 |
| 6 | C039055 | 5" AIR FILTER BODY | 1.00000 |
| 7 | C039060 | 5" AIR FILTER CARTRIDGE AFTER 07/2005 | 1.00000 |
| 8 | FF163/129242-55700 | COMPLETE WATER-FUEL SEPARATE FILTER FOR 4TNV88-DSA2/4TNV98 | 1.00000 |



Component list [TAV. 30 M1 6-7-8 ROAD LIGHT KIT (OPTIONAL)]

| Pos. | Code | Description | Q.ty |
|------|-----------------|--|----------|
| 1 | C020145 | HEXAGON SOCKET OVAL HEAD SCREW M6x16 ISO 7380 | 12.00000 |
| 2 | C020156 | HEXAGON SOCKET COUNTERSUNK HEAD CAP SCREW M6x16 UNI 5933 | 4.00000 |
| 3 | C020548 | HEXAGON SOCKET OVAL HEAD SCREW M6x20 ZN UNI/ISO 7380 | 2.00000 |
| 4 | C028271 | THREAD INSERT M6 | 2.00000 |
| 5 | C028271 | THREAD INSERT M6 | 12.00000 |
| 6 | C028021 | LEFT REAR VIEW MIRROR FOR S600/SL800/GT900 CABIN | 1.00000 |
| 7 | C028022 | RIGHT REAR VIEW MIRROR FOR S600/SL800/GT900 CABIN | 1.00000 |
| 8 | C036653 | PRESSURE SWITCH 1/8GAS | 2.00000 |
| 9 | C044002 | MK-MZ FRONT LIGHT | 2.00000 |
| 10 | C044003 | MK-MZ TURNING LIGHT LED | 2.00000 |
| 11 | C044005 | REAR LED LIGHT. STOP AND REAR LAMP | 2.00000 |
| 12 | C044006 | REAR LED INDICATOR | 2.00000 |
| 13 | C282228 | FLASHING AND REAR WORK LIGHT SUPPORT | 1.00000 |
| 14 | C282237 | BRACKET FOR LIGHT | 2.00000 |
| 15 | C282238 | BRACKET FOR HEADLAMP | 2.00000 |
| 16 | FF180/0001.1138 | BEACON | 1.00000 |



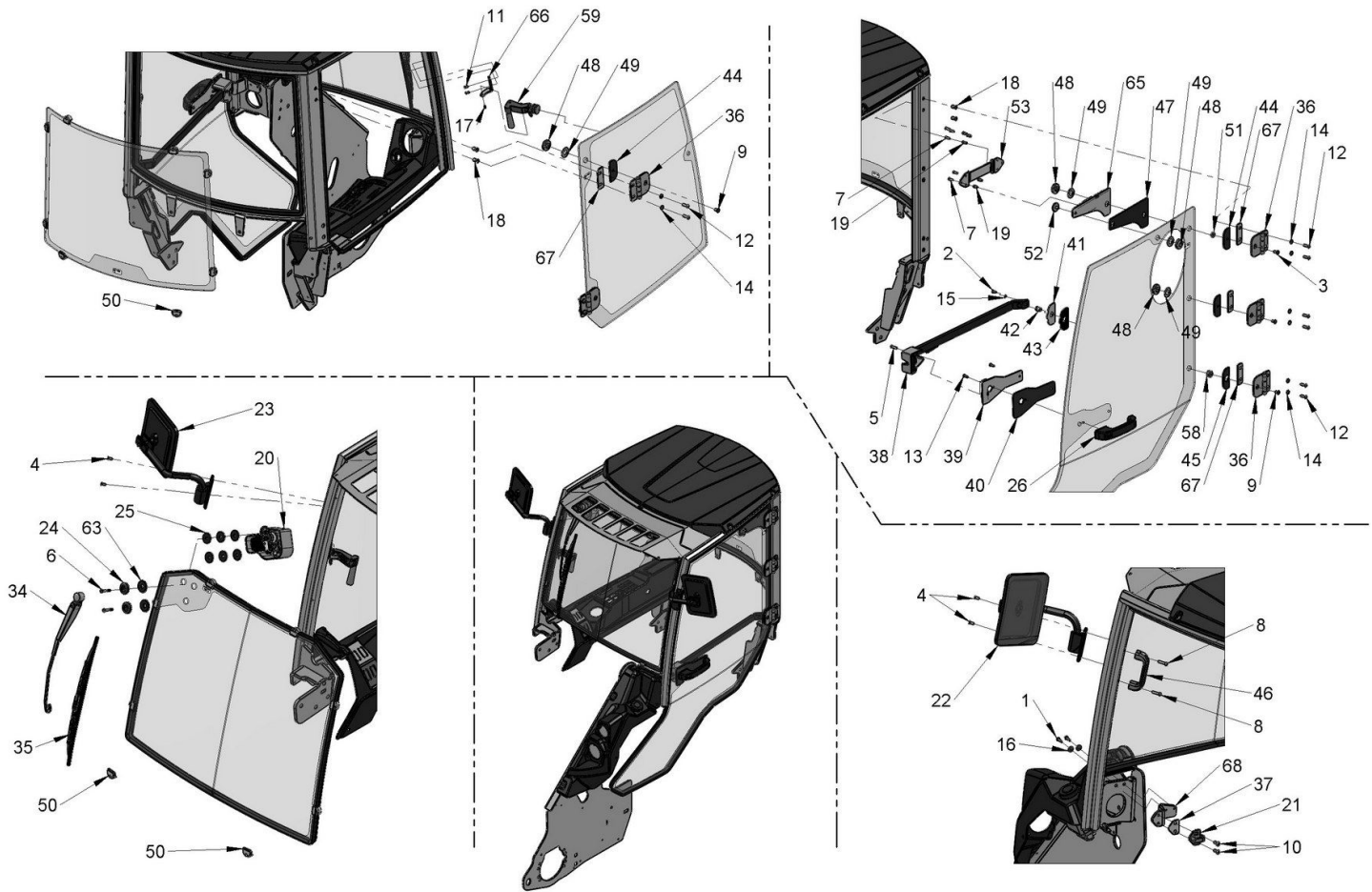
Component list [TAV. 31 M1 6-10 GLASS CABIN]

| Pos. | Code | Description | Q.ty |
|------|---------|---|---------|
| 1 | C028021 | LEFT REAR VIEW MIRROR FOR S600/SL800/GT900 CABIN | 1.00000 |
| 2 | C028022 | RIGHT REAR VIEW MIRROR FOR S600/SL800/GT900 CABIN | 1.00000 |
| 3 | C034053 | WINDSCREEN WIPER ENGINE ITG 12V 90° FOR CABIN | 1.00000 |
| 4 | C034082 | GLASS WASHER PIPE TRANSPARENT 14X7 | 1.00000 |
| 5 | C034090 | COOLANT TANK BRACKET | 1.00000 |
| 6 | C034170 | WIND SCREEN WASHER WATER TANK | 1.00000 |
| 7 | C034181 | WINDSCREEN GLASS WITH SEAL M1 6->10 | 1.00000 |
| 8 | C034182 | REAR GLASS WITH SEAL M1 6->10 | 1.00000 |
| 9 | C034183 | DOOR GLASS WITH SEAL M1 6->10 | 1.00000 |
| 10 | C034184 | RIGHT SIDE GLASS WITH SEAL M1 6->10 | 1.00000 |
| 11 | C034190 | WIPER ARM FOR CABIN 5 -> 10 | 1.00000 |
| 12 | C034191 | WIPER BRUSH FOR CABIN 5 -> 10 | 1.00000 |
| 13 | C036161 | WINDSCREEN WASHER SWITCH | 1.00000 |
| 14 | C038031 | WATER PUMP WIRING FOR WIPER M1 | 1.00000 |
| 15 | C038093 | WIPER WIRING | 1.00000 |
| 16 | C041423 | UNDER ROOF COVER | 1.00000 |



Draft and part list report
Serial n / code M332220 / C962005
Description MULTIONE 7.3+

| | | | |
|----|---------|-------------------------------|---------|
| 17 | C041425 | OVER ROOF COVER | 1.00000 |
| 18 | C041429 | FRONT LEFT LIGHT SUPPORT | 1.00000 |
| 19 | C041436 | RIGHT DASHBOARD | 1.00000 |
| 20 | C281601 | PAN WIDESCREEN WASHER SUPPORT | 1.00000 |
| 21 | C282200 | ROLL-BAR FRAME REV.16 | 1.00000 |



Component list [TAV. 32 M1 6-7-8 GLASS CABIN DETAILS (OPTIONAL)]

| Pos. | Code | Description | Q.ty |
|------|---------|---|----------|
| 1 | C020051 | ISO 4017 M6x20 SCREW | 2.00000 |
| 2 | C020145 | HEXAGON SOCKET OVAL HEAD SCREW M6x16 ISO 7380 | 12.00000 |
| 3 | C020155 | M8X20 SCREW UNI5933 | 1.00000 |
| 4 | C020156 | HEXAGON SOCKET COUNTERSUNK HEAD CAP SCREW M6x16 UNI 5933 | 4.00000 |
| 5 | C020167 | HEXAGON SOCKET COUNTERSUNK HEAD CAP SCREW 10.9 M6x30 ZN UNI5933 | 1.00000 |
| 6 | C020168 | SCREW TSPEI 10.9 M6x40 ZN UNI5933 | 2.00000 |
| 7 | C020187 | SCREW TSPEI 10.9 M6X20 UNI5933 ZN | 5.00000 |
| 8 | C020212 | HEXAGON SOCKET HEAD CAP SCREW M6X25 ZB UNI EN ISO 4762 | 2.00000 |
| 9 | C020295 | SCREW TSP 10.9 M8X16 | 4.00000 |
| 10 | C020541 | HEXAGON SOCKET OVAL HEAD SCREW M8x20 ISO 7380 | 2.00000 |
| 11 | C020542 | HEXAGON SOCKET OVAL HEAD SCREW M6x12 ZN ISO 7380 | 2.00000 |
| 12 | C020543 | HEXAGON SOCKET OVAL HEAD SCREW M8x25 ISO 7380 | 10.00000 |
| 13 | C020548 | HEXAGON SOCKET OVAL HEAD SCREW M6x20 ZN UNI/ISO 7380 | 2.00000 |
| 14 | C023041 | NORD LOCK WASHER M8 | 10.00000 |
| 15 | C023090 | FLAT WASHER M6 6.4x12x1.6 UNI 6592 | 1.00000 |
| 16 | C023110 | PLAIN WASHER LARGE SERIES M6 6.5X18X1.5 DIN9021 | 13.00000 |



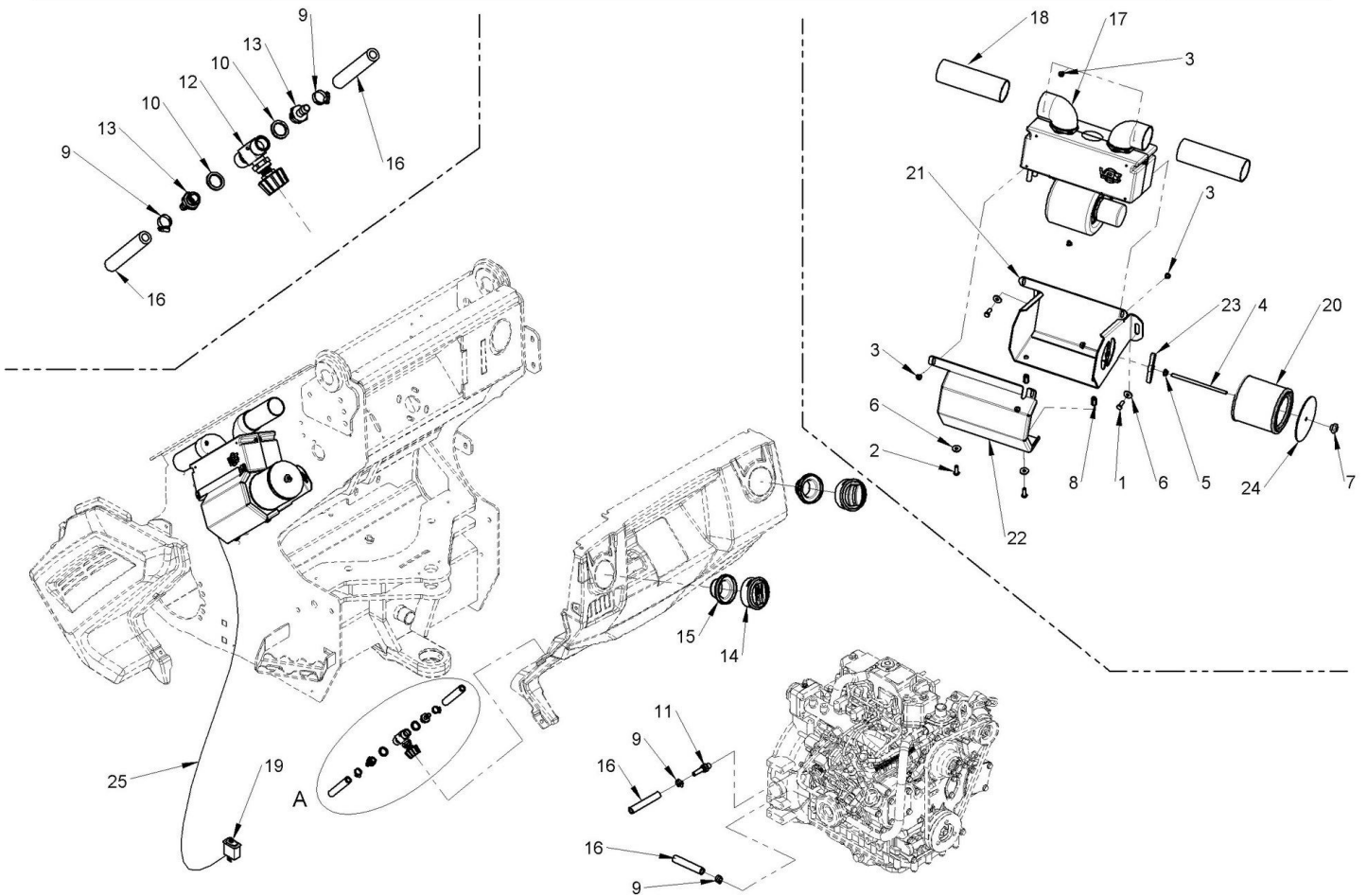
Draft and part list report
Serial n / code M332220 / C962005
Description MULTIONE 7.3+

| | | | |
|----|---------|---|----------|
| 17 | C028266 | SPRING PIN 5X16 | 1.00000 |
| 18 | C028270 | THREAD INSERT M8 | 10.00000 |
| 19 | C028271 | THREAD INSERT M6 | 17.00000 |
| 20 | C034053 | WINDSCREEN WIPER ENGINE ITG 12V 90° FOR CABIN | 1.00000 |
| 21 | C034023 | CABIN DOOR HOLD LATCH | 1.00000 |
| 22 | C028021 | LEFT REAR VIEW MIRROR FOR S600/SL800/GT900 CABIN | 1.00000 |
| 23 | C028022 | RIGHT REAR VIEW MIRROR FOR S600/SL800/GT900 CABIN | 1.00000 |
| 24 | C034070 | PLASTIC STUD FOR GLASS CABIN | 2.00000 |
| 25 | C034072 | RUBBER WASHER FOR GLASS CABIN | 6.00000 |
| 26 | C034078 | DOOR OUTER LOCK FOR | 1.00000 |
| 27 | C034082 | GLASS WASHER PIPE TRANSPARENT 14X7 | 1.00000 |
| 28 | C034090 | COOLANT TANK BRACKET | 1.00000 |
| 29 | C034170 | WIND SCREEN WASHER WATER TANK | 1.00000 |
| 30 | C034181 | WINDSCREEN GLASS WITH SEAL M1 6->10 | 1.00000 |
| 31 | C034182 | REAR GLASS WITH SEAL M1 6->10 | 1.00000 |
| 32 | C034183 | DOOR GLASS WITH SEAL M1 6->10 | 1.00000 |
| 33 | C034184 | RIGHT SIDE GLASS WITH SEAL M1 6->10 | 1.00000 |
| 34 | C034190 | WIPER ARM FOR CABIN 5 -> 10 | 1.00000 |
| 35 | C034191 | WIPER BRUSH FOR CABIN 5 -> 10 | 1.00000 |
| 36 | C034500 | METAL HINGE | 5.00000 |
| 37 | C034501 | UNDER HOLD LATCH PLASTIC | 1.00000 |
| 38 | C034502 | LOCK BAR SHAPE | 1.00000 |
| 39 | C034503 | LOCK HOLDER PLATE | 1.00000 |
| 40 | C034504 | INNER DOOR HANDLE SEAL | 1.00000 |
| 41 | C034505 | SHAPE BAR LOCK HOLDER PLATE | 1.00000 |
| 42 | C034506 | KNURLED BUSH | 1.00000 |
| 43 | C034507 | REAR BAR RUBBER | 1.00000 |
| 44 | C034508 | SMALL HOLE HINGE RUBBER | 4.00000 |
| 45 | C034509 | BIG HOLE HINGE RUBBER | 1.00000 |
| 46 | C034510 | GRAB HANDLE | 1.00000 |
| 47 | C034515 | GAS SPRING HOLDER SEAL | 1.00000 |
| 48 | C034516 | INNER STUD CABIN | 5.00000 |
| 49 | C034517 | Ø40-Ø20-1,5 SEAL | 5.00000 |
| 50 | C274258 | GLASS HOLDER FOR CABIN | 16.00000 |
| 51 | C034519 | Ø20-Ø8-6 SPACER | 1.00000 |
| 52 | C034522 | STUD WITH M8X13 PIN | 1.00000 |
| 53 | C034523 | {{>desc}} | 1.00000 |
| 54 | C035015 | SNAP SEAL FOR WINDOWS | 1.00000 |
| 55 | C035015 | SNAP SEAL FOR WINDOWS | 1.00000 |
| 56 | C035015 | SNAP SEAL FOR WINDOWS | 1.00000 |
| 57 | C035015 | SNAP SEAL FOR WINDOWS | 1.00000 |
| 58 | C035038 | RUBBER TOP FOR CABIN GLASSES | 1.00000 |
| 59 | C035041 | JERKY COMPASS OPENING FOR CABIN | 1.00000 |
| 60 | C036161 | WINDSCREEN WASHER SWITCH | 1.00000 |
| 61 | C041423 | UNDER ROOF COVER | 1.00000 |
| 62 | C041425 | OVER ROOF COVER | 1.00000 |



Draft and part list report
Serial n / code M332220 / C962005
Description MULTIONE 7.3+

| | | | |
|----|---------|-----------------------------------|---------|
| 63 | C274255 | GLASS SEAL FOR CABIN | 2.00000 |
| 64 | C281601 | PAN WIDESCREEN WASHER SUPPORT | 1.00000 |
| 65 | C282309 | DOOR BELT FIXING | 1.00000 |
| 66 | C282324 | JERKY COMPASS BRACKET | 1.00000 |
| 67 | C282369 | HINGE SPACER FOR CABIN M1 6 -> 10 | 5.00000 |
| 68 | C282396 | {{>desc}} | 1.00000 |



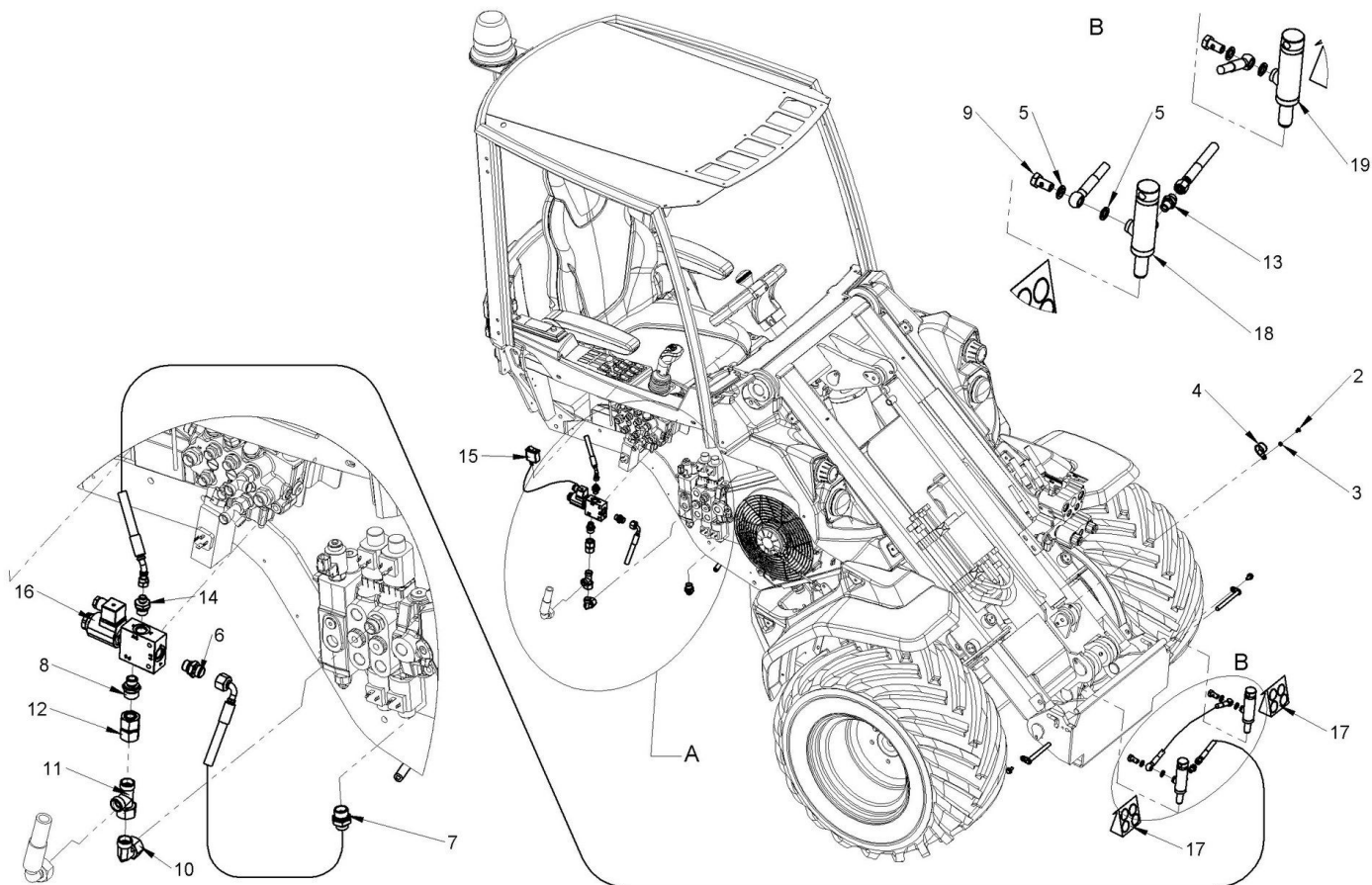
Component list [TAV. 33 M1 7.3 HEATER]

| Pos. | Code | Description | Q.ty |
|------|---------|--|---------|
| 1 | C020050 | HEXAGON HEAD PIPE PLUG M6X16 UNI 5739 | 2.00000 |
| 2 | C020548 | HEXAGON SOCKET OVAL HEAD SCREW M6x20 ZN UNI/ISO 7380 | 2.00000 |
| 3 | C020554 | SELF THREADER SCREW 4.8X13 | 6.00000 |
| 4 | C020651 | THREADED RODS M6 L=130 | 1.00000 |
| 5 | C021018 | NUT E 6S M6 SERPRESS | 2.00000 |
| 6 | C023110 | PLAIN WASHER LARGE SERIES M6 6.5X18X1.5 DIN9021 | 4.00000 |
| 7 | C028028 | THREE-LOBED HANDWHEEL M6 PASS-THROUGH | 1.00000 |
| 8 | C028281 | THREAD INSERT M6 | 2.00000 |
| 9 | C029038 | STEEL BAND 10-16 | 4.00000 |
| 10 | C030547 | BONDED WASHER 3/8" GAS | 2.00000 |
| 11 | C033304 | HOSE FITTING 1/4" - 10mm | 1.00000 |
| 12 | C034005 | METAL FAUCET FOR CAB HEATING | 1.00000 |
| 13 | C034006 | STRAIGHT FITTING DIA. 10 MM - 3/8" | 2.00000 |
| 14 | C034008 | 1" 76 mm AIR PORT | 2.00000 |
| 15 | C034009 | AIR PORT REDUCTION 82->76/45 mm | 2.00000 |
| 16 | C035034 | HOT WATER RUBBER HOSE 10X17 | 4.00000 |



Draft and part list report
Serial n / code M332220 / C962005
Description MULTIONE 7.3+

| | | | |
|----|---------|-------------------------------------|---------|
| 17 | C035149 | HEATHER MULTIONE M1 5->10, 6SD->9SD | 1.00000 |
| 18 | C035160 | HOT AIR HOSE Ø45 | 2.00000 |
| 19 | C036160 | SWITCH FAN | 1.00000 |
| 20 | C039170 | HEATING CARTRIDGE FILTER | 1.00000 |
| 21 | C282343 | HEATHER BOX | 1.00000 |
| 22 | C282346 | BOX HEATER CAP | 1.00000 |
| 23 | C282347 | HEATER AIR FILTER CENTERING | 1.00000 |
| 24 | C282348 | AIR HEATER FILTER CAP | 1.00000 |
| 25 | C038090 | ADDITIONAL WIRING HEATING | 1.00000 |



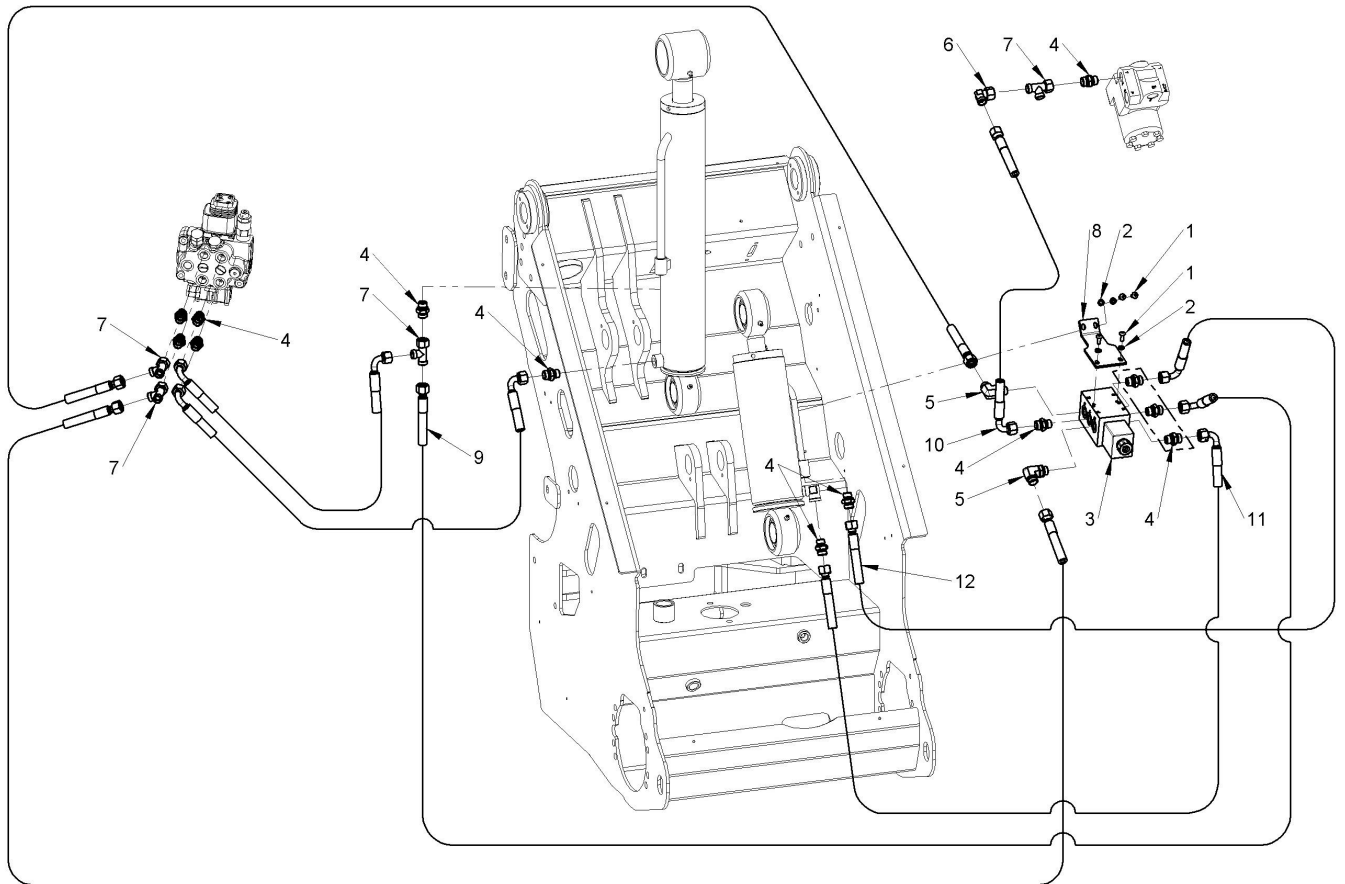
Component list [TAV. 34 M1 6-7-8 AUTOMATIC COUPLING PLATE (OPTIONAL)]

| Pos. | Code | Description | Q.ty |
|------|---------|--|---------|
| 1 | C019201 | HEXAGON FLANGE BOLT M8x16 DIN 6921 | 2.00000 |
| 2 | C020542 | HEXAGON SOCKET OVAL HEAD SCREW M6x12 ZN ISO 7380 | 1.00000 |
| 3 | C023090 | FLAT WASHER M6 6.4x12x1.6 UNI 6592 | 1.00000 |
| 4 | C029033 | HOSE CLAMP WITH RUBBER Ø30 | 1.00000 |
| 5 | C030548 | BONDED WASHER 1/4" GAS | 4.00000 |
| 6 | C033001 | NIPPLES 3/8" G / 12L | 1.00000 |
| 7 | C033002 | NIPPLES 1/2" G / 12L | 1.00000 |
| 8 | C033010 | 3/8" -15L MALE JOINT | 1.00000 |
| 9 | C033015 | PERFORED BOLT 1/4" | 2.00000 |
| 10 | C033025 | 90° FITTING F15L ORIENT. / M15L | 1.00000 |
| 11 | C033035 | T FITTING F-M-M 15L | 1.00000 |
| 12 | C033116 | STRAIGHT JOINT FG15L - FG15L | 1.00000 |
| 13 | C033134 | NIPPLES 1/4GAS-8L | 1.00000 |
| 14 | C033173 | {{>desc}} | 1.00000 |
| 15 | C036167 | AUTOMATIC LOCKING COUPLING PLATE SWITCH | 1.00000 |
| 16 | C036621 | ELECTROVALVE 3WAY G3/8 12V DC | 1.00000 |



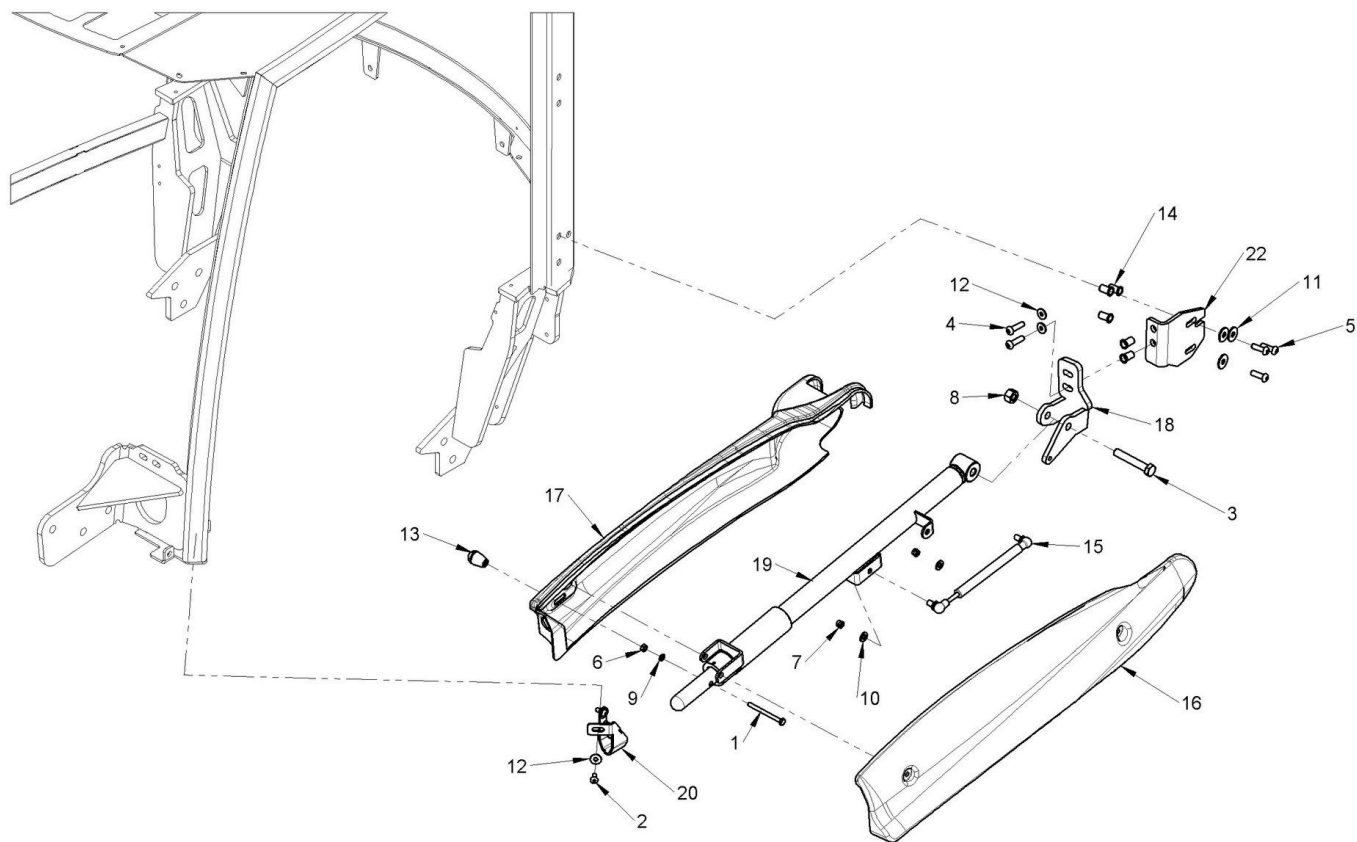
Draft and part list report
Serial n / code M332220 / C962005
Description MULTIONE 7.3+

| | | | |
|----|---------|---------------------------------------|---------|
| 17 | C036811 | SEAL KIT FOR CYLINDER C272286-C272287 | 2.00000 |
| 18 | C272286 | RIGHT LOCKING CYLINDER > 2010 | 1.00000 |
| 19 | C272287 | LEFT LOCKING CYLINDER > 2010 | 1.00000 |
| 20 | C272288 | Ø12x118 PIN | 2.00000 |



Component list [TAV. 35 M1 6-10 FLOATING BOOM]

| Pos. | Code | Description | Q.ty |
|------|-----------|---|----------|
| 1 | C020145 | HEXAGON SOCKET OVAL HEAD SCREW M6x16 ISO 7380 | 4.00000 |
| 2 | C023090 | FLAT WASHER M6 6.4x12x1.6 UNI 6592 | 4.00000 |
| 3 | C030580 | BOOM FLOAT VALVE FOR SELF LEVELING | 1.00000 |
| 4 | C033001 | NIPPLES 3/8" G / 12L | 13.00000 |
| 5 | C033021 | REVOLVING CONNECTION AT 90° 3/8" ORIENT./12L | 2.00000 |
| 6 | C033024 | ELBOW FITTING F12L ORIENT. /M12L | 1.00000 |
| 7 | C033032 | T-CONNECTION F-M-M 12L | 4.00000 |
| 8 | C281602 | FLOATING BOOM VALVE SUPPORT | 1.00000 |
| 9 | C810378_1 | TUBO 3/8, L=1510, F90 12L, F90 12L, ORIENT. 120 HOSE 3/8, L=1510, F90 12L, F90 12L, ORIENT. 120 | 1.00000 |
| 10 | C810378_2 | TUBO 3/8, L=510, F90 12L, FD 12L HOSE 3/8, L=510, F90 12L, FD 12L | 1.00000 |
| 11 | C810378_3 | TUBO 3/8, L=420, F90 12L, FD 12L HOSE 3/8, L=420, F90 12L, FD 12L | 1.00000 |
| 12 | C810378_4 | TUBO 3/8, L=420, F90 12L, F45 12L, ORIENT. 180 HOSE 3/8, L=420, F90 12L, F45 12L, ORIENT. 180 | 1.00000 |



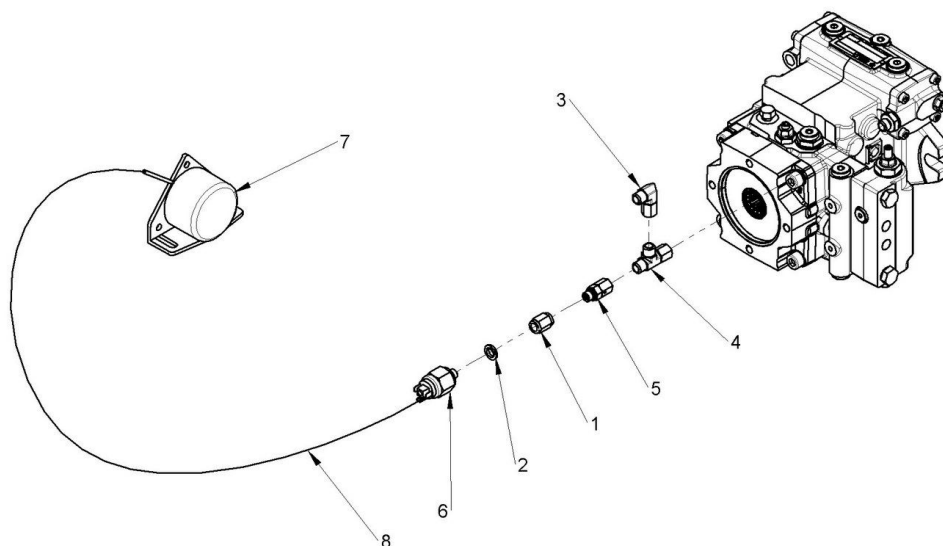
Component list [TAV. 36 SECURITY ARM]

| Pos. | Code | Description | Q.ty |
|------|---------|---|---------|
| 1 | C020059 | {{>desc}} | 1.00000 |
| 2 | C020145 | HEXAGON SOCKET OVAL HEAD SCREW M6x16 ISO 7380 | 2.00000 |
| 3 | C020352 | M12x70 UNI ISO 4017 SCREW | 1.00000 |
| 4 | C020544 | SCREW TBEI M8x30 ZN UNI/ISO 7380 | 2.00000 |
| 5 | C020545 | M8x35 ISO 7380 SCREW | 3.00000 |
| 6 | C021022 | HEXAGON NUT M6 UNI 5588 | 1.00000 |
| 7 | C021104 | PREVAILING TORQUE-TYPE HEXAGONAL NUTS WITH POLYAMIDE RING M6 UNI 7473 | 2.00000 |
| 8 | C021504 | SELF BRAKING NUT M12 DIN 980 | 1.00000 |
| 9 | C023040 | M6 NORD LOCK WASHER | 1.00000 |
| 10 | C023071 | PLAIN WASHER M8 8.4x16x1.6 UNI6592 | 2.00000 |
| 11 | C023100 | PLAIN WASHER LARGE SERIES M8 DIN 9021 | 3.00000 |
| 12 | C023110 | PLAIN WASHER LARGE SERIES M6 6.5X18X1.5 DIN9021 | 4.00000 |
| 13 | C028025 | CONICAL BALL KNOBS WITH M6 NUT | 1.00000 |
| 14 | C028270 | THREAD INSERT M8 | 5.00000 |
| 15 | C029509 | AIR COMPRESSED SPRING 150N 120 mm | 1.00000 |
| 16 | C041174 | EXTERNAL HOOD FOR SAFETY PROTECTION FOR SL800 BLUE | 1.00000 |



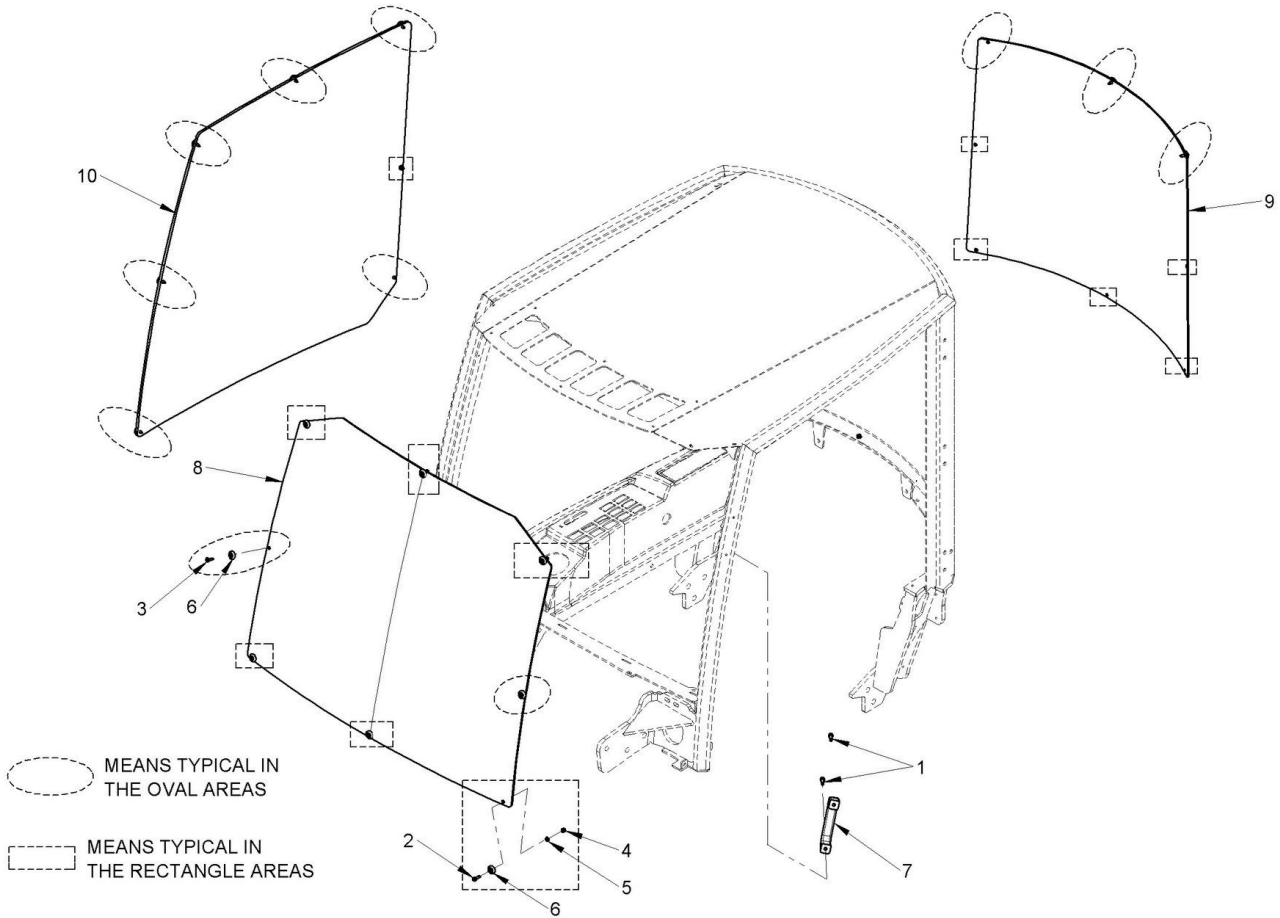
Draft and part list report
Serial n / code M332220 / C962005
Description MULTIONE 7.3+

| | | | |
|----|---------|--|---------|
| 17 | C041175 | INTERNAL HOOD FOR SAFETY PROTECTION FOR SL800 GRAY | 1.00000 |
| 18 | C274281 | SECURITY ARM HINGE | 1.00000 |
| 19 | C279408 | SECURITY ARM CENTRAL BODY | 1.00000 |
| 20 | C279409 | LATCH SECURITY ARM | 1.00000 |
| 21 | C282200 | ROLL-BAR FRAME REV.16 | 1.00000 |
| 22 | C282242 | SECURITY ARM SUPPORT | 1.00000 |



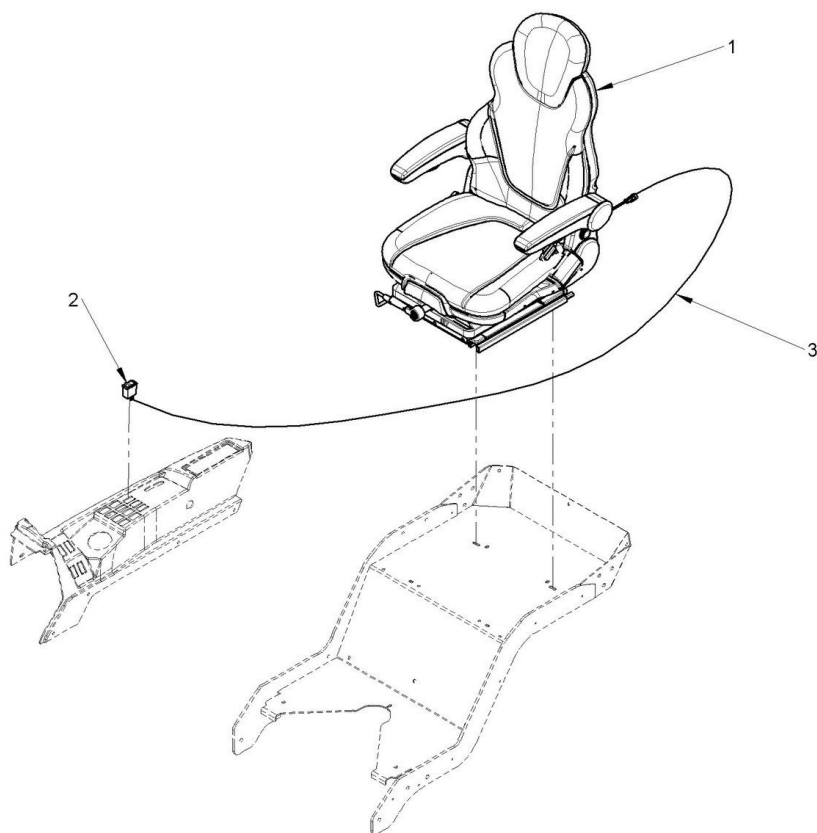
Component list [TAV. 38 BACK-UP ALLARM]

| Pos. | Code | Description | Q.ty |
|------|--------------------|---|---------|
| 1 | C030361 | CONNECTOR F1/8 GAS F1/8 GAS | 1.00000 |
| 2 | C030549 | BONDED WASHER 1/8""GAS | 1.00000 |
| 3 | C033027 | ANGULAR ROTARY FITTING F6L-M6L | 1.00000 |
| 4 | C033033 | T CONNECTION F-M-M 6L | 1.00000 |
| 5 | C033117 | STANDPIPE ADAPTORS PACKING RING M1/8"" - FG6L | 1.00000 |
| 6 | C036651 | PRESSURE SWITCH 1/8""GAS | 1.00000 |
| 7 | FF180/31.0031.0000 | BACKUP BUZZER | 1.00000 |
| 8 | C038088 | BACK-UP ALLARM WIRING | 1.00000 |



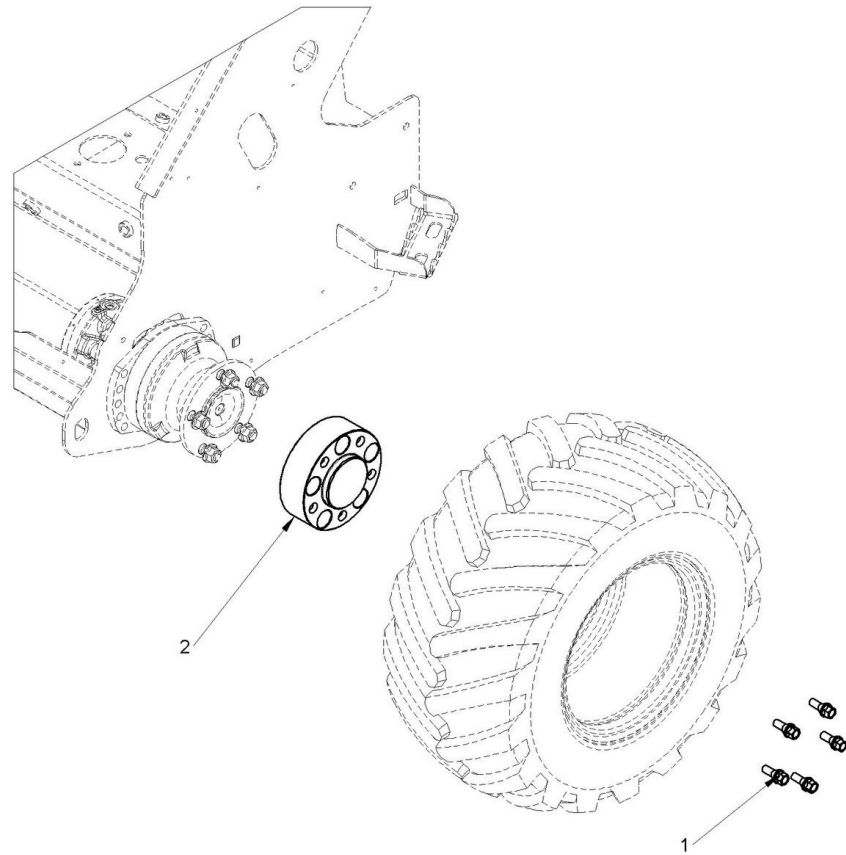
Component list [TAV. 39 M1 6-10 POLYCARBONATE GLASS SMART CABIN]

| Pos. | Code | Description | Q.ty |
|------|---------|---|----------|
| 1 | C020212 | HEXAGON SOCKET HEAD CAP SCREW M6X25 ZB UNI EN ISO 4762 | 2.00000 |
| 2 | C020287 | RECESSED RAISED CHEESE HEAD SCREW M5x20 UNI 7687 DIN 7985 | 12.00000 |
| 3 | C020300 | VITE AUTOFILETTANTE TC 4.8X19 DIN 7981 UNI 6954 | 11.00000 |
| 4 | C021102 | PREVAILING TORQUE - TYPE HEXAGON NUT WITH POLYAMIDE RING M5 DIN 982 | 12.00000 |
| 5 | C023072 | FLAT WASHER X M5 5.3x10x1 | 12.00000 |
| 6 | C023300 | CONIC WASHER M6 | 23.00000 |
| 7 | C034510 | GRAB HANDLE | 1.00000 |
| 8 | C041500 | PLEXIGLASS WINDSCREEN | 1.00000 |
| 9 | C041501 | PLEXIGLASS REAR WINDOW | 1.00000 |
| 10 | C041502 | RIGHT SIDE PLEXIGLASS | 1.00000 |



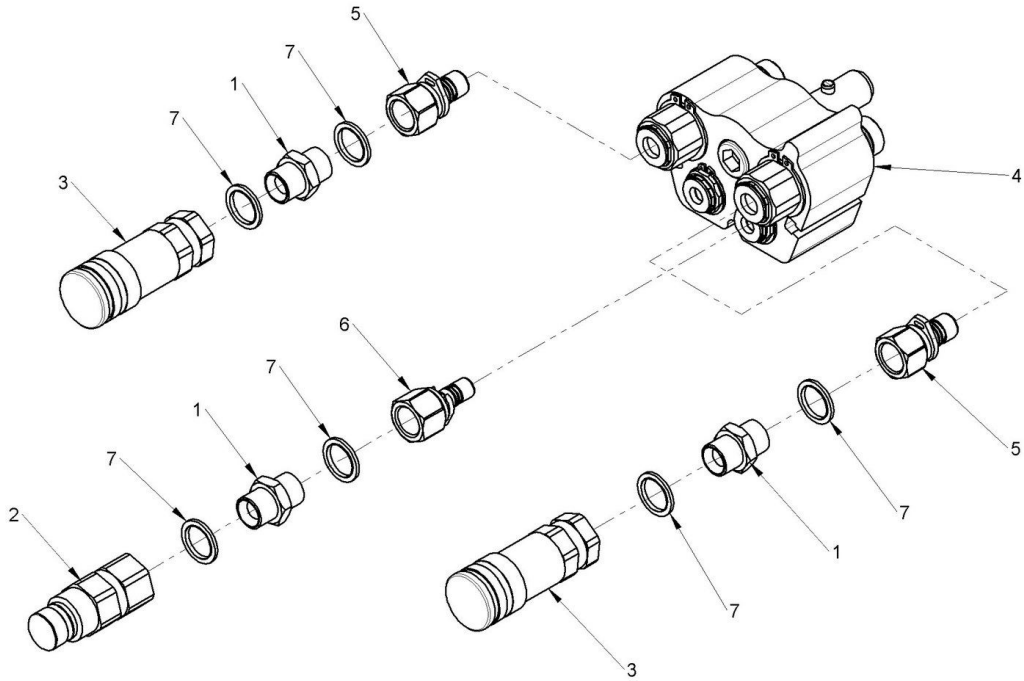
Component list [TAV. 41 LUXURY HEATED SEAT]

| Pos. | Code | Description | Q.ty |
|------|---------|---|---------|
| 1 | C036772 | LUXURY HEATED SEAT FOR MULTIONE WITH SUSPENSION | 1.00000 |
| 2 | C036163 | HEATED SEAT SWITCH | 1.00000 |
| 3 | C038091 | SEAT HEATING WIRING | 1.00000 |



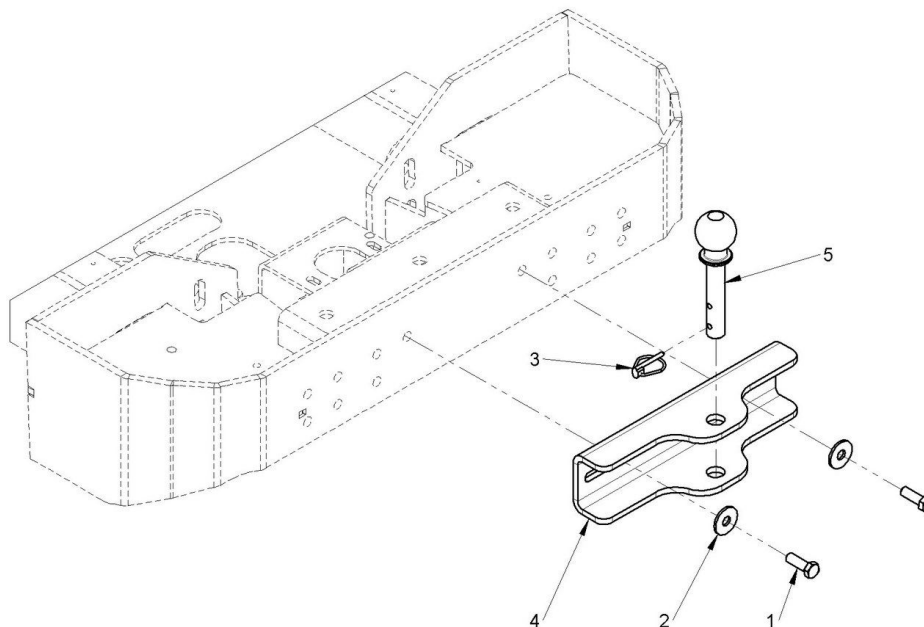
Component list [TAV. 44 55 mm WHEEL SPACER]

| Pos. | Code | Description | Q.ty |
|------|---------|----------------------------|----------|
| 1 | C020502 | WHEEL SCREW M12X1.5X21 60° | 20.00000 |
| 2 | C272098 | 55 mm WHEEL SPACER | 4.00000 |



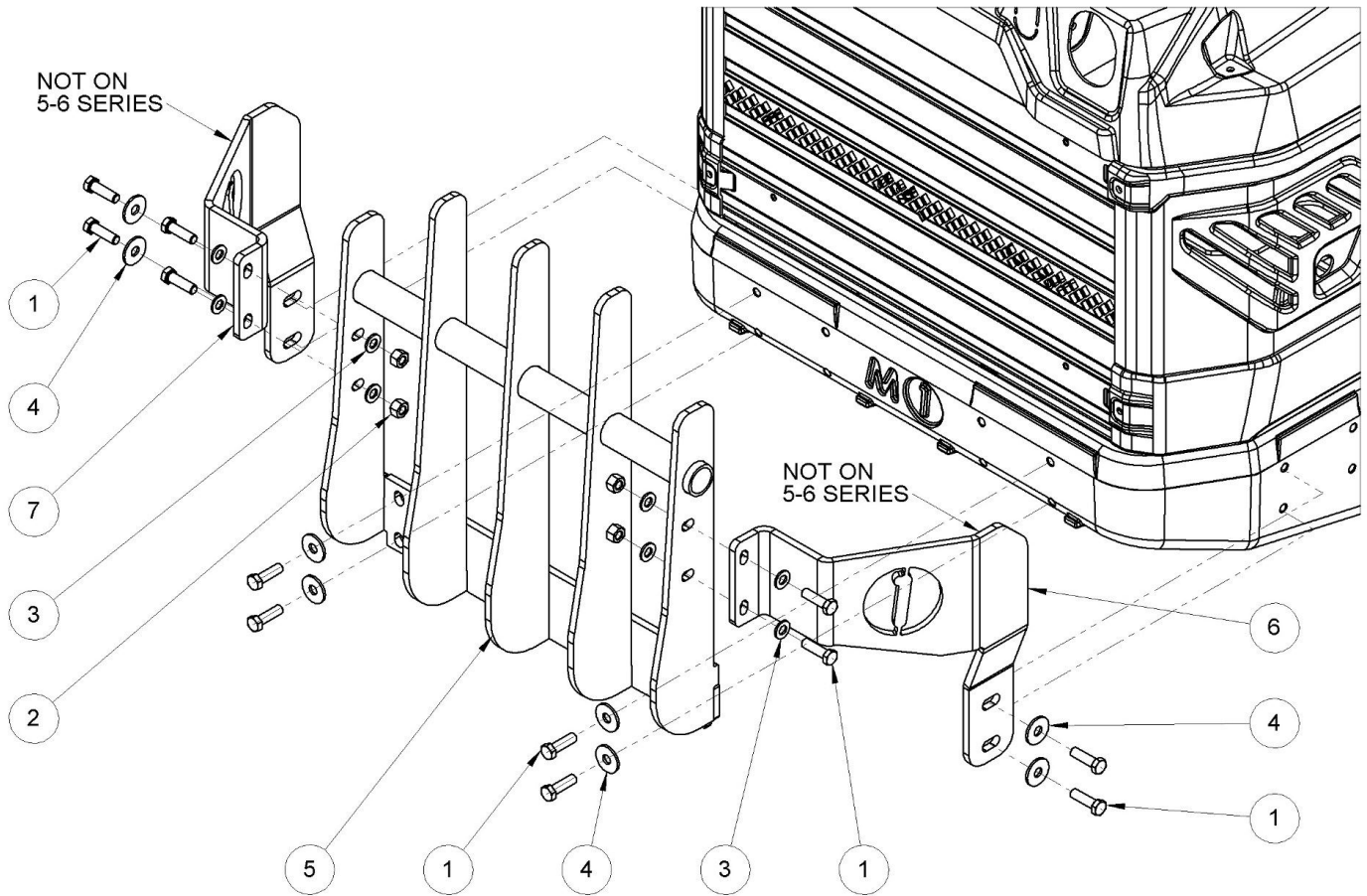
Component list [TAV. 45 MULTICONNECTOR COUPLING TO QUICK COUPLING KIT ADAPTOR]

| Pos. | Code | Description | Q.ty |
|------|---------|---|---------|
| 1 | C030376 | NIPPLES M 1/2" M 1/2" | 3.00000 |
| 2 | C030456 | FLAT FACE QUICK COUPLER MALE 1/2" | 1.00000 |
| 3 | C030457 | FLAT FACE COUPLING FEMALE 1/2" | 2.00000 |
| 4 | C030481 | HYDRAULIC MULTICONNECTOR PLATE, ATTACHMENTS 3 WAY | 1.00000 |
| 5 | C030488 | WEO 1/2"" - F 1/2"" GAS ADAPTOR | 2.00000 |
| 6 | C030489 | WEO 3/8" - F 1/2" GAS ADAPTOR | 1.00000 |
| 7 | C030542 | BONDED WASHER 1/2"" GAS | 6.00000 |



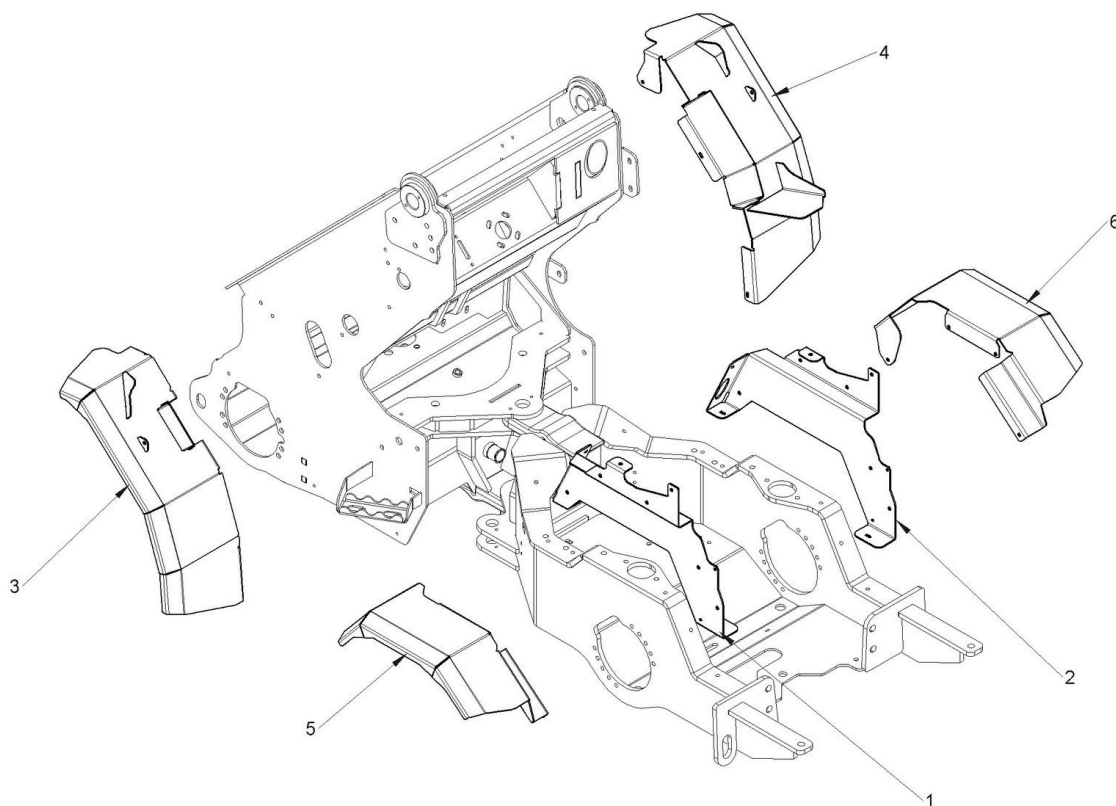
Component list [TAV. 46 TOW HOOK]

| Pos. | Code | Description | Q.ty |
|------|---------|--|---------|
| 1 | C020133 | {{>desc}} | 2.00000 |
| 2 | C023105 | WASHER FOR M12 13x37x3 DIN9021 UNI6593 | 2.00000 |
| 3 | C028200 | LOCK PIN 5 MM | 1.00000 |
| 4 | C274220 | TRAILER HOOK SUPPORT | 1.00000 |
| 5 | C802049 | TOW HOOK PIN | 1.00000 |



Component list [TAV. 49 M1 5-8, M1 6SD-8SD REAR BUMPER]

| Pos. | Code | Description | Q.ty |
|------|---------|--|----------|
| 1 | C020139 | HEXAGON HEAD SCREW M12x40 UNI 4017 | 12.00000 |
| 2 | C021504 | SELF BRAKING NUT M12 DIN 980 | 4.00000 |
| 3 | C023102 | PLAIN WASHER M12 UNI 6592 | 8.00000 |
| 4 | C023105 | WASHER FOR M12 13x37x3 DIN9021 UNI6593 | 8.00000 |
| 5 | C282835 | REAR BULLBAR M1 7-8 | 1.00000 |
| 6 | C284467 | RIGHT REAR BULLBAR BRACKET | 1.00000 |
| 7 | C284468 | LEFT REAR BULLBAR BRACKET | 1.00000 |



Component list [TAV. 54 STEEL MUD GUARD]

| Pos. | Code | Description | Q.ty |
|------|---------|--------------------------------|---------|
| 1 | C281875 | LEFT MUDGUARD SUPPORT | 1.00000 |
| 2 | C281876 | RIGHT MUDGUARD COVER SUPPORT | 1.00000 |
| 3 | C285018 | FRONT LEFT MUD GUARD M1 6-7-8 | 1.00000 |
| 4 | C285019 | FRONT RIGHT MUD GUARD M1 6-7-8 | 1.00000 |
| 5 | C285020 | REAR LEFT MUD GUARD M1 6-7-8 | 1.00000 |
| 6 | C285021 | REAR RIGHT MUD GUARD M1 6-7-8 | 1.00000 |

PER STRUMENTO ANALOGICO
 FOR ANALOG DECK



1

PER STRUMENTO LCD
 FOR LCD DECK



2

ALLARME SONORO
 BUZZER ALLARM



3

Component list [TAV. 57 WATER TEMP SENSOR]

| Pos. | Code | Description | Q.ty |
|------|--------------------|---|---------|
| 1 | FF180/U2M02A003 | WATER TEMPERATURE SENSOR, ANALOG DECK | 1.00000 |
| 2 | FF180/U2M02A011 | WATER TEMPERATURE SENSOR, LCD DECK | 1.00000 |
| 3 | FF163/121250-44901 | WATER TEMPERATURE SENSOR - BUZZER ALARM | 1.00000 |

CI SONO TRE TIPI DI JOYSTICK, 1 CON CONNETTORE TONDO, 2 CON CONNETTORE RETTANGOLARE "DEUTSCH".
 VERIFICATE QUAL'È PRESENTE SULLA VOSTRA MACCHINA, E RIFERITEVI A QUESTA TAVOLA PER ORDINARE IL PEZZO DI RICAMBIO CORRETTO

THERE ARE 3 TYPES OF JOYSTICK, 1 WITH A ROUND CONNECTOR AND 2 WITH A "DEUTSCH" RECTANGULAR CONNECTOR.
 VERIFY WHICH ONE IS INSTALLED ON YOUR MACHINE, AND REFER TO THIS DRAWING TO ORDER THE CORRECT SPARE PART.

CONNETTORE TONDO
 MONTATO SU TUTTE LE MACCHINE

ROUND SHAPE CONNECTOR
 INSTALLED ON ALL MACHINE

C030642



CONNETTORE "DEUTSCH"
 MONTATO SU 7.3, 8.4, 9.5, 10.8, 8.5, 9.6, 10.9

"DEUTSCH" CONNECTOR
 INSTALLED ON 7.3, 8.4, 9.5, 10.8, 8.5, 9.6, 10.9

C030647



CONNETTORE "DEUTSCH"
 MONTATO SU 5.3, 6.3, SD6, SD7, SD8, SD9

"DEUTSCH" CONNECTOR
 INSTALLED ON 5.3, 6.3, SD6, SD7, SD8, SD9

C030648



Component list [TAV. 59 JOYSTICK MULTI]

| Pos. | Code | Description | Q.ty |
|------|---------|---|---------|
| 1 | C030642 | MULTIONE JOYSTICK HANDLE, MULTIFUNCTION | 1.00000 |
| 2 | C030647 | MULTIONE JOYSTICK HANDLE, MULTIFUNCTION | 1.00000 |
| 3 | C030648 | MULTIONE JOYSTICK HANDLE, MULTIFUNCTION | 1.00000 |

TASTI ED INTERRUTTORI / BUTTON AND SWITCHES

TAV. 60



Component list [TAV. 60 SWITCHES]

| Pos. | Code | Description | Q.ty |
|------|---------|---|---------|
| 1 | C036153 | HORN SWITCH | 1.00000 |
| 2 | C036154 | WORK LIGHT SWITCH | 1.00000 |
| 3 | C036155 | FRONT ELECTRIC PLUG SWITCH | 1.00000 |
| 4 | C036156 | HAND BRAKE SWITCH | 1.00000 |
| 5 | C036157 | DIFFERENTIAL LOCK SWITCH | 1.00000 |
| 6 | C036158 | SLOW/FAST GEAR SWITCH | 1.00000 |
| 7 | C036159 | ADDITIONAL WORK LIGHT SWITCH | 1.00000 |
| 8 | C036160 | SWITCH FAN | 1.00000 |
| 9 | C036161 | WINDSCREEN WASHER SWITCH | 1.00000 |
| 10 | C036162 | FLASHING BEACON SWITCH | 1.00000 |
| 11 | C036163 | HEATED SEAT SWITCH | 1.00000 |
| 12 | C036164 | FLOATING BOOM SWITCH | 1.00000 |
| 13 | C036165 | REAR OUTLET SWITCH | 1.00000 |
| 14 | C036166 | ROAD LIGHT SWITCH | 1.00000 |
| 15 | C036167 | AUTOMATIC LOCKING COUPLING PLATE SWITCH | 1.00000 |



Draft and part list report
Serial n / code M332220 / C962005
Description MULTIONE 7.3+

| | | | |
|----|-------------------|-------------------------------------|---------|
| 16 | C036168 | HAZARD LIGHTS SWITCH | 1.00000 |
| 17 | C036169 | BLINKER LIGHT SWITCH | 1.00000 |
| 18 | FF180/17.153.000 | HORN BUTTON | 1.00000 |
| 19 | FF180/106616 | HAZARD LIGHT BUTTON | 1.00000 |
| 20 | C036170 | BEACON LIGHT BUTTON | 1.00000 |
| 21 | FF180/30.34.08956 | LEVER SWITCH ON-OFF WITH RUBBER | 1.00000 |
| 22 | FF180/30.34.10306 | LEVER SWITCH ON-OFF-ON WITH RUBBER | 1.00000 |
| 23 | C036171 | TORQUE DIVIDER SWITCH | 1.00000 |
| 24 | C036172 | ROADLIGHT AND TURN SIGNAL INDICATOR | 1.00000 |

| CODE | DESCRIZIONE | DESCRIPTION | NOTE |
|---------|--|------------------------------------|--|
| C042200 | DECALCOMANIA GENERALE MACCHINE | GENERAL DECALS FOR MULTIONE | USED ON ALL MACHINES |
| C042202 | DECALCOMANIA GENERALE PITTOGRAMMI MACCHINE | GENERAL SAFETY DECALS FOR MULTIONE | USED ON ALL MACHINES |
| C042111 | DECAL LWA 98 DB | DECAL LWA 98 DB | USED ON: 4.2, 5.2, 6.3 SERIES, 7.2 7.3 SERIES, 6.3SD, 7.3SD, 8.4SD |
| C042110 | DECAL LWA 99 DB | DECAL LWA 99 DB | USED ON: 5.3, 8.4 SERIES |
| C042109 | DECAL LWA 100 DB | DECAL LWA 100 DB | USED ON: 1.1, 2.3, 9.5, 9.6, 10.9, 9.5SD |
| C042112 | DECAL LWA 101 DB | DECAL LWA 101 DB | USED ON: 10.8 |
| C042114 | DECAL LPA 82 DB | DECAL LPA 82 DB | USED ON: 7.3 SERIES, 7.3SD |
| C042116 | DECAL LPA 84 DB | DECAL LPA 84 DB | USED ON: 7.2, 6.3 SERIES, 6.3SD |
| C042117 | DECAL LPA 85 DB | DECAL LPA 85 DB | USED ON: 1.1, 2.3, 4.2, 5.2, 8.4 SERIES, 10.8, 10.9, 8.4SD |
| C042102 | DECAL LPA 86 DB | DECAL LPA 86 DB | USED ON: 9.5, 9.6, 9.5SD |
| C042100 | DECAL LPA 87 DB | DECAL LPA 87 DB | USED ON: 5.3 |
| C042437 | DIAGRAMMA DI CARICO SERIE 2 | M1 2 SERIES LOAD DIAGRAM | |
| C042443 | DIAGRAMMA DI CARICO SERIE 4 - 5 | M1 4 - 5 SERIES LOAD DIAGRAM | |
| C042429 | DIAGRAMMA DI CARICO SERIE 6 | M1 6 SERIES LOAD DIAGRAM | |
| C042430 | DIAGRAMMA DI CARICO SERIE 7 - 8 | M1 7 - 8 SERIES LOAD DIAGRAM | |
| C042431 | DIAGRAMMA DI CARICO SERIE 9 | M1 9 SERIES LOAD DIAGRAM | |
| C042432 | DIAGRAMMA DI CARICO SERIE 10 | M1 10 SERIES LOAD DIAGRAM | |
| C042440 | DIAGRAMMA DI CARICO 6SD | M1 6SD LOAD DIAGRAM | |
| C042439 | DIAGRAMMA DI CARICO 7SD - 8SD | M1 7SD - 8SD LOAD DIAGRAM | |
| C042438 | DIAGRAMMA DI CARICO 9SD | M1 9SD LOAD DIAGRAM | |
| C042175 | DECALCOMANIE M1 1.1 | M1 1.1 DECAL | |
| C042436 | DECALCOMANIE M1 2.3 | M1 2.3 DECAL | |
| C042190 | DECALCOMANIE M1 4.2 | M1 4.2 DECAL | |
| C042189 | DECALCOMANIE M1 5.2 | M1 5.2 DECAL | |
| C042188 | DECALCOMANIE M1 5.3 | M1 5.3 DECAL | |
| C042412 | DECALCOMANIE M1 6.3 | M1 6.3 DECAL | |
| C042434 | DECALCOMANIE M1 6.3+ | M1 6.3+ DECAL | |
| C042413 | DECALCOMANIE M1 6.3S | M1 6.3S DECAL | |
| C042433 | DECALCOMANIE M1 7.2 | M1 7.2 DECAL | |
| C042414 | DECALCOMANIE M1 7.3 | M1 7.3 DECAL | |
| C042415 | DECALCOMANIE M1 7.3+ | M1 7.3+ DECAL | |
| C042416 | DECALCOMANIE M1 7.3S | M1 7.3S DECAL | |
| C042417 | DECALCOMANIE M1 8.4 | M1 8.4 DECAL | |
| C042427 | DECALCOMANIE M1 8.4+ | M1 8.4+ DECAL | |
| C042418 | DECALCOMANIE M1 8.4S | M1 8.4S DECAL | |
| C042420 | DECALCOMANIE M1 8.5 | M1 8.5 DECAL | |
| C042442 | DECALCOMANIE M1 8.5S | M1 8.5S DECAL | |
| C042421 | DECALCOMANIE M1 9.5 | M1 9.5 DECAL | |
| C042424 | DECALCOMANIE M1 9.6 | M1 9.6 DECAL | |
| C042425 | DECALCOMANIE M1 10.8 | M1 10.8 DECAL | |
| C042426 | DECALCOMANIE M1 10.9 | M1 10.9 DECAL | |
| C042422 | DECALCOMANIE M1 SD 6.3 | M1 SD 6.3 DECAL | |
| C042419 | DECALCOMANIE M1 SD 7.3 | M1 SD 7.3 DECAL | |
| C042423 | DECALCOMANIE M1 SD 8.4 | M1 SD 8.4 DECAL | |
| C042428 | DECALCOMANIE M1 SD 9.5 | M1 SD 9.5 DECAL | |

Component list [TAV. 95 DECALS]

| Pos. | Code | Description | Q.ty |
|------|---------|------------------------------------|---------|
| 1 | C042200 | GENERAL SAFETY DECALS FOR MULTIONE | 1.00000 |
| 2 | C042202 | S/SL/GT SAFETY DECALS FOR MULTIONE | 1.00000 |
| 3 | C042111 | DECALCOMANIA DECIBEL LWA 98 DB | 1.00000 |
| 4 | C042110 | DECALCOMANIA DECIBEL LWA 99 DB | 1.00000 |
| 5 | C042109 | DECALCOMANIA DECIBEL LWA 100 DB | 1.00000 |
| 6 | C042112 | LWA 101 DB LABEL | 1.00000 |
| 7 | C042114 | DECALCOMANIA DECIBEL LPA 82 DB | 1.00000 |
| 8 | C042116 | LPA 84 DB LABEL | 1.00000 |
| 9 | C042117 | LPA 85 DB LABEL | 1.00000 |
| 10 | C042102 | DECALCOMANIA DECIBEL LPA 86 DB | 1.00000 |
| 11 | C042100 | DECALCOMANIA DECIBEL LPA 87 DB | 1.00000 |
| 12 | C042437 | M1 2 SERIES LOAD DIAGRAM DECAL | 1.00000 |
| 13 | C042443 | M1 4-5 SERIES LOAD DIAGRAM DECAL | 1.00000 |
| 14 | C042429 | {{>desc}} | 1.00000 |
| 15 | C042430 | {{>desc}} | 1.00000 |
| 16 | C042431 | {{>desc}} | 1.00000 |



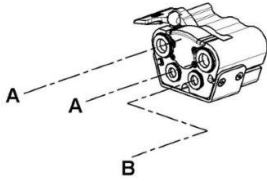
Draft and part list report
Serial n / code M332220 / C962005
Description MULTIONE 7.3+

| | | | |
|----|---------|--------------------------------------|---------|
| 17 | C042432 | {{>desc}} | 1.00000 |
| 18 | C042440 | M1 6SD SERIES LOAD DIAGRAM DECAL | 1.00000 |
| 19 | C042439 | M1 7SD-8SD SERIES LOAD DIAGRAM DECAL | 1.00000 |
| 20 | C042438 | SD 9 LOAD DIAGRAM DECAL | 1.00000 |
| 21 | C042175 | M1 1.1 DECAL | 1.00000 |
| 22 | C042436 | {{>desc}} | 1.00000 |
| 23 | C042190 | {{>desc}} | 1.00000 |
| 24 | C042189 | {{>desc}} | 1.00000 |
| 25 | C042188 | {{>desc}} | 1.00000 |
| 26 | C042412 | KIT DECALS FOR M1 6.3 | 1.00000 |
| 27 | C042434 | KIT DECALS FOR M1 6.3S | 1.00000 |
| 28 | C042413 | KIT DECALS FOR M1 6.3S | 1.00000 |
| 29 | C042433 | KIT DECALS FOR M1 7.3 | 1.00000 |
| 30 | C042414 | KIT DECALS FOR M1 7.3 | 1.00000 |
| 31 | C042415 | KIT DECALS FOR M1 7.3+ | 1.00000 |
| 32 | C042416 | KIT DECALS FOR M1 7.3S | 1.00000 |
| 33 | C042417 | KIT DECALS FOR M1 8.4 | 1.00000 |
| 34 | C042427 | KIT DECALS FOR M1 8.4 | 1.00000 |
| 35 | C042418 | KIT DECALS FOR M1 8.4S | 1.00000 |
| 36 | C042420 | {{>desc}} | 1.00000 |
| 37 | C042442 | 8.5S KIT DECALS | 1.00000 |
| 38 | C042421 | DECALS KIT FOR M1 9.5 | 1.00000 |
| 39 | C042424 | {{>desc}} | 1.00000 |
| 40 | C042425 | {{>desc}} | 1.00000 |
| 41 | C042426 | {{>desc}} | 1.00000 |
| 42 | C042422 | {{>desc}} | 1.00000 |
| 43 | C042419 | {{>desc}} | 1.00000 |
| 44 | C042423 | {{>desc}} | 1.00000 |
| 45 | C042428 | SD 9.5 DECALS | 1.00000 |

INSERTI WEO / WEO FITTINGS

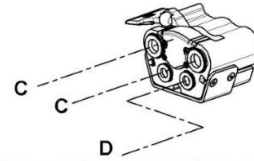
Tav. 96

**MACHINE MULTICONNECTOR
 MULTIONE 9-10 SERIES**



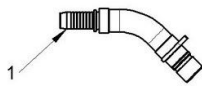
| HOSE TYPE | WORK PRES BAR | HOSE DIAMETER | LENGHT RUBBER HOSE | 1st FITTING DIN 2353 | 2nd FITTING WEO |
|------------------------|---------------|---------------|--------------------|-----------------------------|-----------------|
| "A" PORTS HOSES | | | | | |
| 2SC | 250 | 5/8" | 1030 | MALE STRAIGHT 18L (M30x2) | POS. 1 |
| "B" PORT HOSE | | | | | |
| PILOT | 100 | 3/8" | 1150 | MALE STRAIGHT 12L (M18x1,5) | POS. 3 |

**MACHINE MULTICONNECTOR
 MULTIONE 2-4-5-6-7-8 SERIES**



| HOSE TYPE | WORK PRES BAR | HOSE DIAMETER | LENGHT RUBBER HOSE | 1st FITTING DIN 2353 | 2nd FITTING WEO |
|------------------------|---------------|---------------|--------------------|-------------------------------|-----------------|
| 2 SERIES | | | | | |
| "C" PORTS HOSES | | | | | |
| 1SC | 160 | 1/2" | 730 | FEMALE 90° 12L (M18x1,5) | POS. 2 |
| 1SC | 160 | 1/2" | 690 | FEMALE STRAIGHT 12L (M18x1,5) | POS. 2 |
| "D" PORT HOSE | | | | | |
| PILOT | 100 | 3/8" | 710 | FEMALE 90° 12L (M18x1,5) | POS. 3 |
| 4-5 SERIES | | | | | |
| "C" PORTS HOSES | | | | | |
| 1SC | 160 | 1/2" | 730 | MALE STRAIGHT 15L (M22x1,5) | POS. 2 |
| 1SC | 160 | 1/2" | 780 | MALE STRAIGHT 15L (M22x1,5) | POS. 2 |
| "D" PORT HOSE | | | | | |
| PILOT | 100 | 3/8" | 790 | MALE STRAIGHT 12L (M18x1,5) | POS. 3 |
| 6-7-8 SERIES | | | | | |
| "C" PORTS HOSES | | | | | |
| 1SC | 160 | 1/2" | 970 | MALE STRAIGHT 15L (M22x1,5) | POS. 2 |
| "D" PORT HOSE | | | | | |
| PILOT | 100 | 3/8" | 1060 | MALE STRAIGHT 12L (M18x1,5) | POS. 3 |

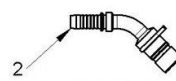
A 45° FITTING WEO SIZE 3/4"
 FOR 5/8" HOSE



B 45° FITTING WEO SIZE 1/2"
 FOR 3/8" HOSE



C 45° FITTING WEO SIZE 3/4"
 FOR 1/2" HOSE

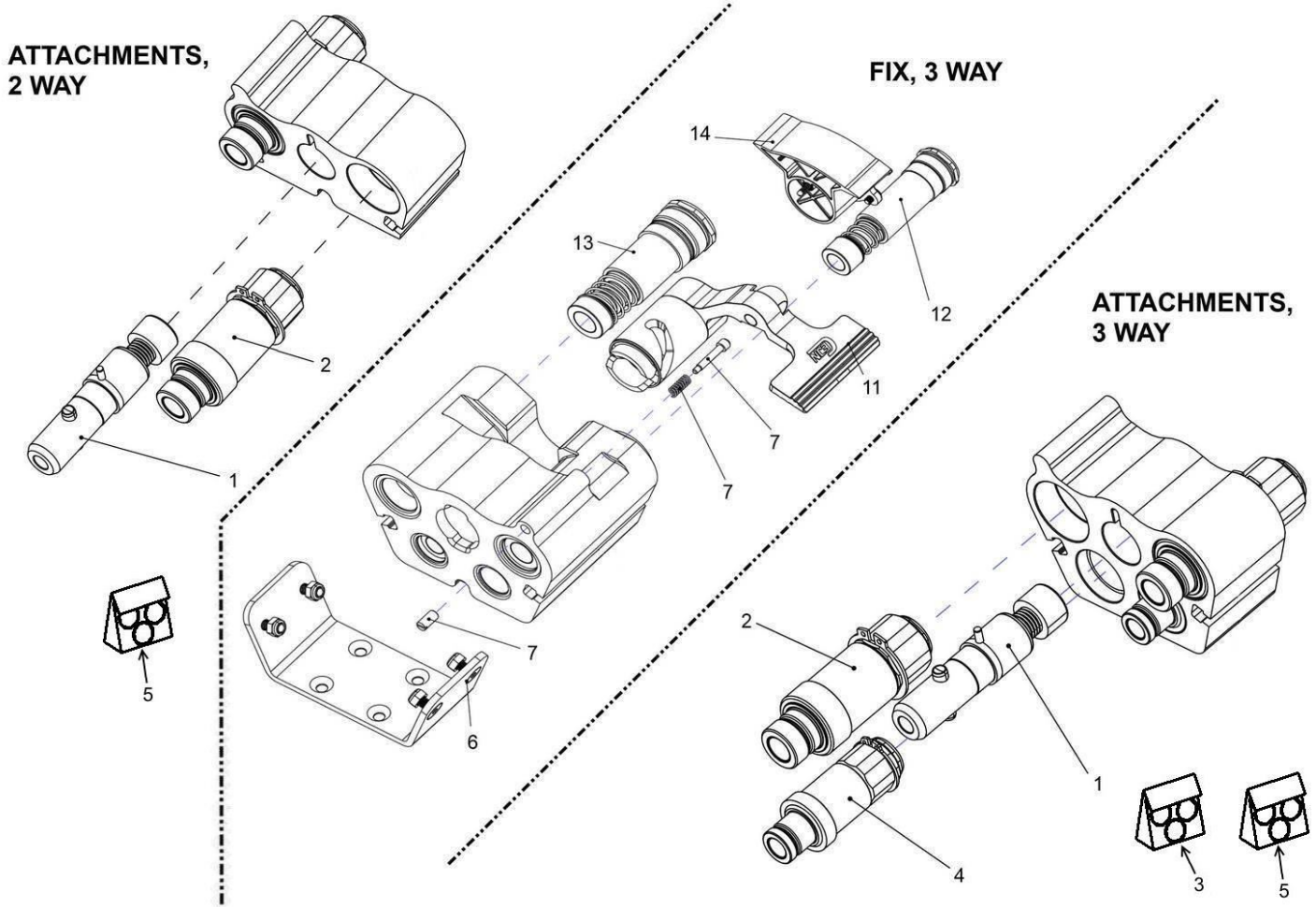


D 45° FITTING WEO SIZE 1/2"
 FOR 3/8" HOSE



Component list [TAV. 96 MACHINE MULTICONNECTOR WEO FITTINGS]

| Pos. | Code | Description | Q.ty |
|------|---------|--|---------|
| 1 | C033401 | 45° FITTING WEO SIZE 3/4" FOR 5/8" HOSE | 1.00000 |
| 2 | C033402 | 45° FITTING WEO SIZE 3/4" FOR 1/2" HOSE | 1.00000 |
| 3 | C033405 | 45° FITTING WEO SIZE 1/2" FOR 3/8" HOSE | 1.00000 |
| 4 | C033410 | STRAIGHT FITTING WEO SIZE 1/2" FOR 1/2" HOSE | 1.00000 |
| 5 | C033411 | STRAIGHT FITTING WEO SIZE 1/2" FOR 3/8" HOSE | 1.00000 |
| 6 | C033416 | 90° FITTING WEO SIZE 1/2" FOR 3/8" HOSE | 1.00000 |
| 7 | C033425 | STRAIGHT FITTING WEO SIZE 3/8" FOR 3/8" HOSE | 1.00000 |



Component list [TAV. 99 HYDRAULIC MULTI COUPLING PLATE, FIX 3 WAY, ATTACHMENTS 3 WAY, ATTACHMENTS 2 WAY]

| Pos. | Code | Description | Q.ty |
|------|------------------|--------------------------|---------|
| 1 | FF1187/109324972 | CENTER BOLT KIT | 1.00000 |
| 2 | FF1187/105646905 | MALE JOINY KIT DN 12,5 | 1.00000 |
| 3 | FF1187/103654991 | DN 10 SEAL KIT | 1.00000 |
| 4 | FF1187/103646904 | MALE JOINY KIT DN 10 | 1.00000 |
| 5 | FF1187/105654991 | DN 12,5 SEAL KIT | 1.00000 |
| 6 | FF1187/109324975 | MOUNTING BRACKET | 1.00000 |
| 7 | FF1187/109324992 | LOCKING LEVER PIN KIT | 1.00000 |
| 11 | FF1187/109324970 | LOCKING LEVER KIT | 1.00000 |
| 12 | FF1187/103651906 | FEMALE JOINY KIT DN 10 | 1.00000 |
| 13 | FF1187/105651907 | FEMALE JOINY KIT DN 12,5 | 1.00000 |
| 14 | FF1187/109324971 | BACK LID KIT | 1.00000 |