

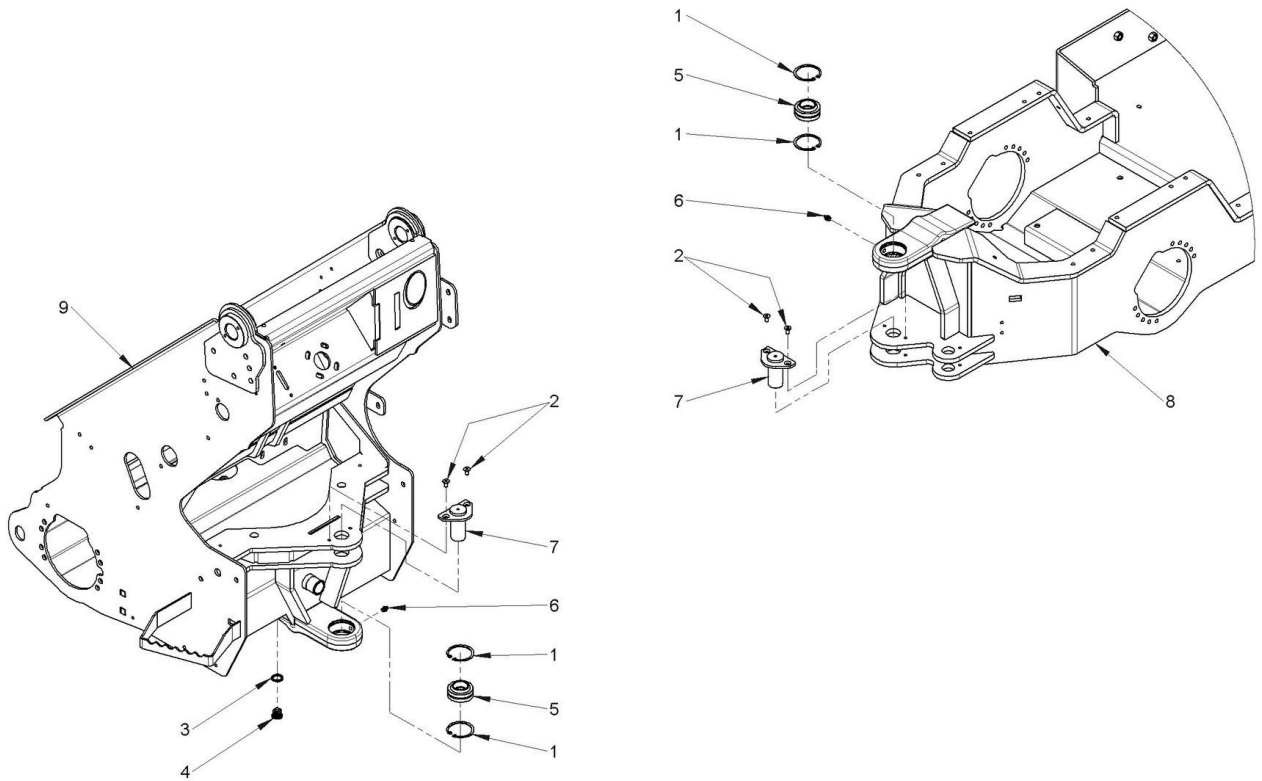
List of machine draft

N.	Draft
1	TAV. 01 ARTICULATION
2	TAV. 02 POWER STEERING CYLINDER
3	TAV. 03 WHEEL MOTORS
4	TAV. 04 THREAD INSERTS
5	TAV. 05 PUMPS AND ELECTRIC MOTORS
6	TAV. 06 PEDALS
7	TAV. 07 CYLINDER AND POWER STEERING
8	TAV. 08 VALVE BANK
9	TAV. 09 REAR NET
10	TAV. 10 REAR SUPPORTS
11	TAV. 11 ELECTRIC PARTS
12	TAV. 12 VALVES
13	TAV. 13 OIL SUCTION BLOCK
14	TAV. 14 WHEEL MOTORS MALE JOINT
15	TAV. 15 WHEEL MOTORS FITTINGS
16	TAV. 16 REAR SIDE FITTINGS
17	TAV. 17 VALVE BANK FITTINGS
18	TAV. 18 BATTERY
19	TAV. 19 SEAT SUPPORT
20	TAV. 20 WHEELS
21	TAV. 21 BOOM
22	TAV. 22 PLATE TILT
23	TAV. 23 COUPLING PLATE
24	TAV. 24 ROLLBAR
25	TAV. 25 BOOM PIPES CONNECTION
26	TAV. 26 JOYSTICK AND HORN
27	TAV. 27 REAR SUPPORT
28	TAV. 28 OVER PUMPS COVER
29	TAV. 29 REAR SIDE COVER
30	TAV. 30 OVER BATTERY COVER
31	TAV. 31 REAR MUDGUARD
32	TAV. 32 FOOTREST PLATE
33	TAV. 34 UNDER SEAT COVER
34	TAV. 35 FRONT DASHBOARD
35	TAV. 36 FROT MUDGUARD
36	TAV. 37 FRONT LEFT SIDE COVER
37	TAV. 38 FRONT RIGHT SIDE COVER
38	TAV. 39 RIGHT SIDE DASHBOARD
39	TAV. 40 FRONT LIGHT HOLDER COVER
40	TAV. 41 UNDER BOOM COVER



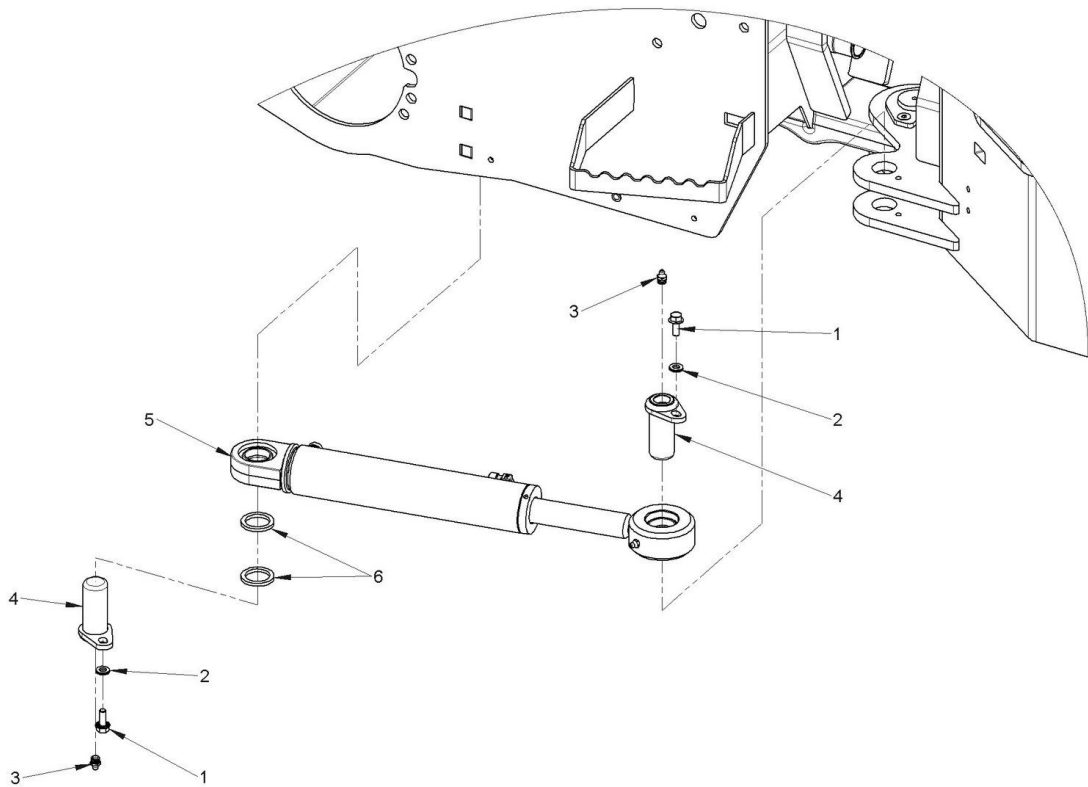
**Draft and part list report**  
**Serial n / code M351159 / C962020**  
**Description MULTIONE EZ 7**

41	TAV. 42 SEAT
42	TAV. 43 REAR BUNPERS
43	TAV. 44 TRANSPARENT COVER
44	TAV. 45 LIGHTS AND DASHBOARD
45	TAV. 46 FILTERS
46	TAV. 47 BOOM COMPONENTS
48	TAV. 48 TRANSMISSION HYDRAULIC DIAGRAM
49	TAV. 49 AUX HYDRAULIC DIAGRAM
47	TAV. 61 SWITCHES



Component list [ TAV. 01 ARTICULATION ]

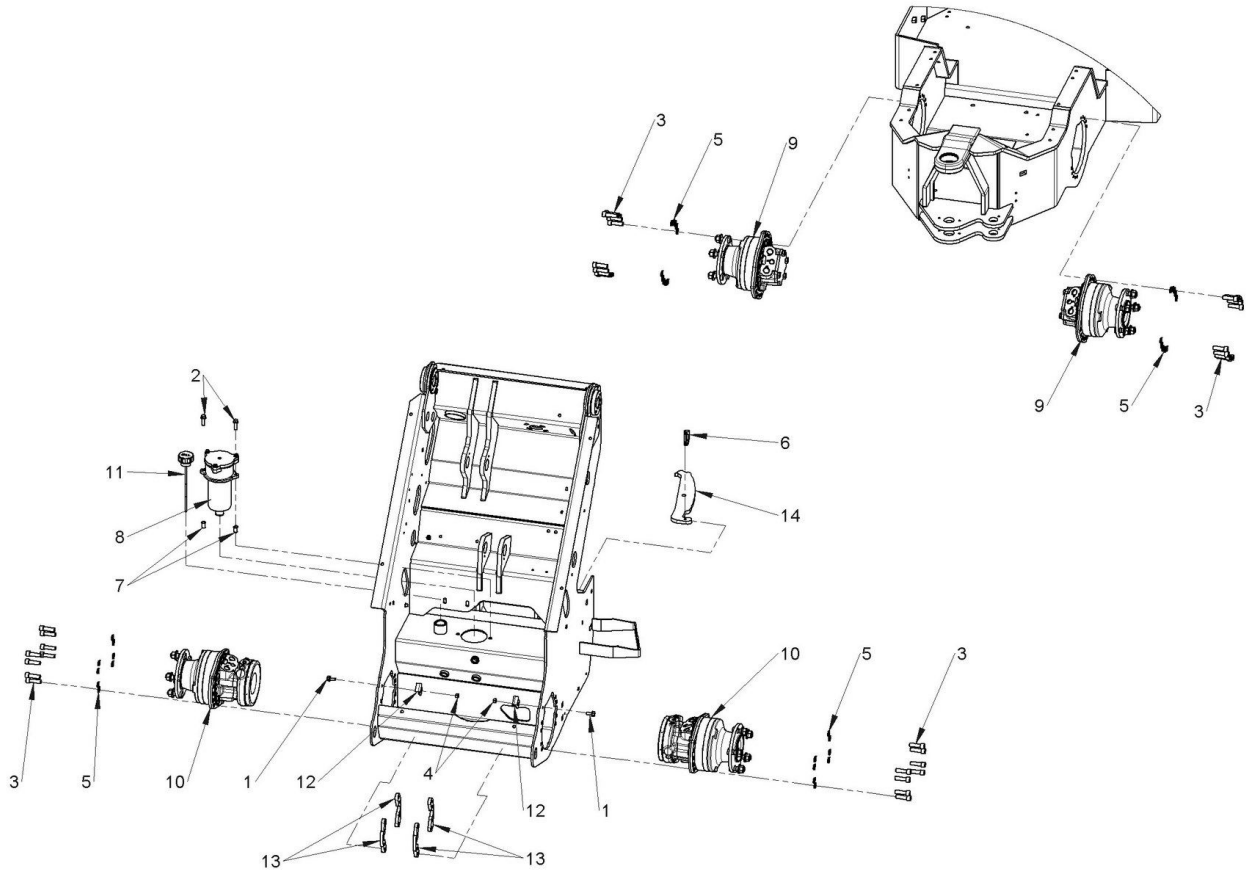
Pos.	Code	Description	Q.ty
1	C018310	BORES SEEGER RING ĩ62 DIN 472	4.00000
2	C020295	SCREW TSP 10.9 M8X16	4.00000
3	C030542	BONDED WASHER 1/2"" GAS	1.00000
4	C030610	MAGNETIC MALE PLUG G 1/2""	1.00000
5	C037637	GE 35 FO 2RS RADIAL SPHERICAL PLAIN BEARING	2.00000
6	C090030	GREASER M10X1 UNI 7663A	2.00000
7	C230166	FLANGED PIN Ø35 L=73	2.00000
8	C285050	EZ 7 REAR FRAME	1.00000
9	C285075	FRONT FRAME M1 7 ELECTRIC	1.00000



Component list [ TAV. 02 POWER STEERING CYLINDER ]

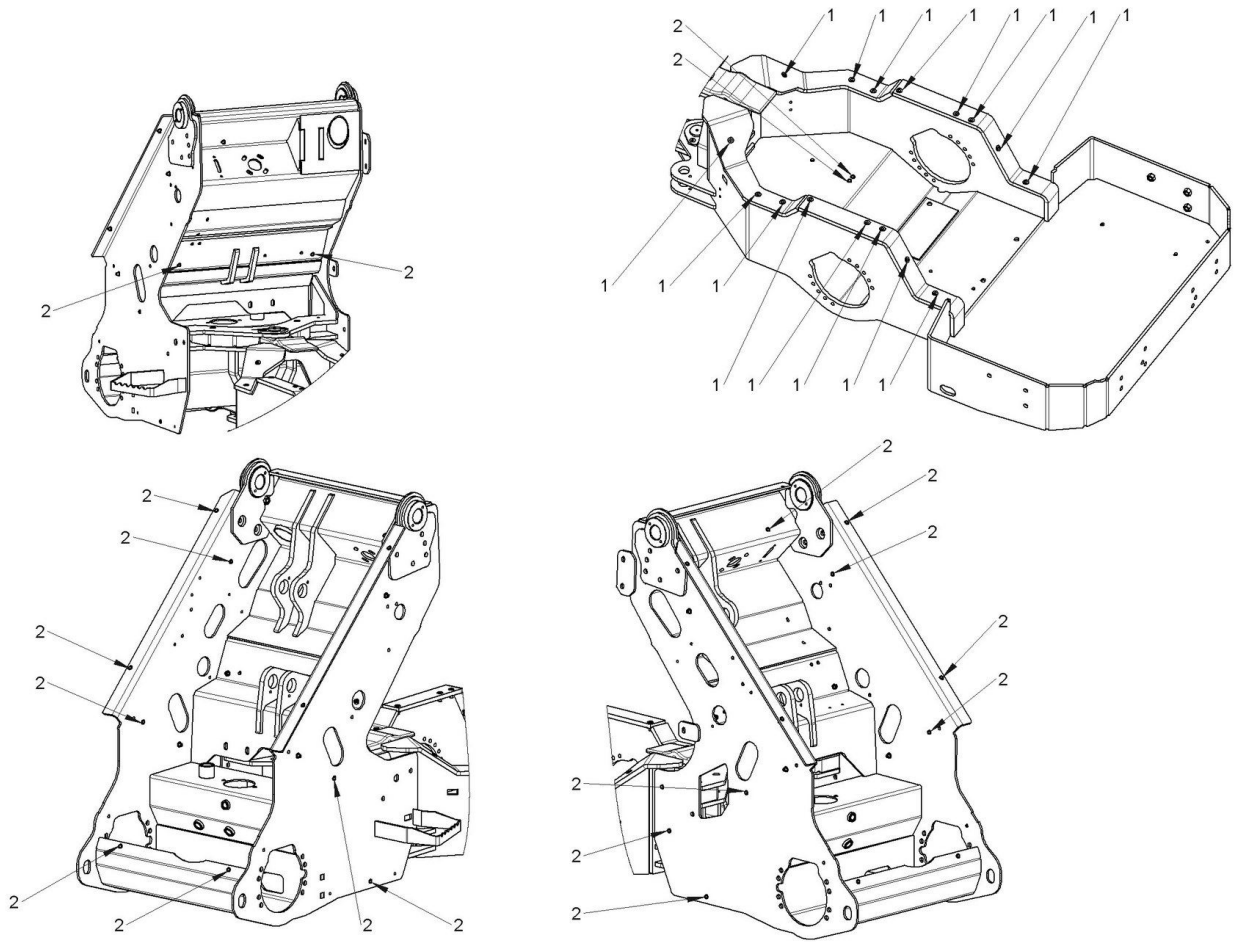
Pos.	Code	Description	Q.ty
1	C019202	HEXAGON FLANGE BOLT M8X20 DIN 6921	2.00000
2	C023041	NORD LOCK WASHER M8	2.00000
3	C090030	GREASER M10X1 UNI 7663A	2.00000
4	C230164	Ø30x66 PIN	2.00000
5	C281744	POWER STEERING CYLINDER	1.00000
6	C282911	Ø40-Ø30,2-4 SPACER	2.00000





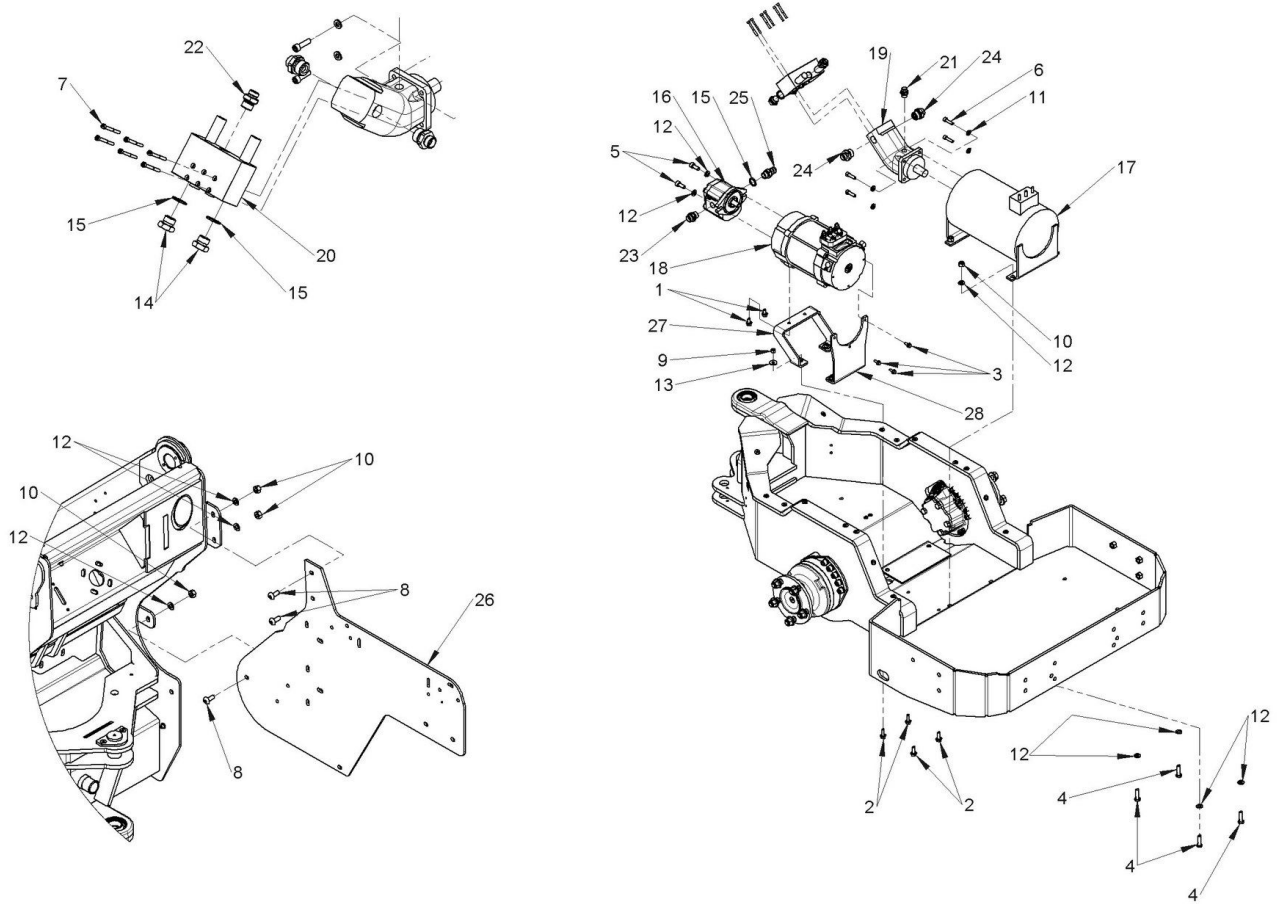
Component list [ TAV. 03 WHEEL MOTORS ]

Pos.	Code	Description	Q.ty
1	C019202	HEXAGON FLANGE BOLT M8X20 DIN 6921	2.00000
2	C019204	HEXAGON FLANGE BOLT M8X30 ZB UNI EN ISO 1665	2.00000
3	C020250	HEXAGON SOCKET HEAD CAP SCREW CI. 12.9 M12x40 ZB UNI EN ISO 4762	36.00000
4	C021502	SLOTTED AND CASTLE HEXAGON NUTS M8 DIN980	2.00000
5	C023043	SELF LOCKING WASHER M12	36.00000
6	C028201	SPRING PIN 6 MM	1.00000
7	C028287	THREAD INSERT M8	2.00000
8	C036600	RETURN FILTER ASSY FOR S/SL SERIES	1.00000
9	C038695	MSE02 2 1 SPEED PISTON MOTOR	2.00000
10	C038696	MSE02-2 1 SPEED PISTON MOTOR	2.00000
11	C038748	1" G PRESSURIZED LEVEL CUP	1.00000
12	C277807	BOOM STOPPER ON FRONT FRAME	2.00000
13	C281614	WHEEL MOTOR LOCKING PLATE	4.00000
14	C281782	ARTICULATION LOCK	1.00000



Component list [ TAV. 04 THREAD INSERTS ]

Pos.	Code	Description	Q.ty
1	C028288	THREAD INSERT M6	16.00000
2	C028291	THREAD INSERT M6	20.00000



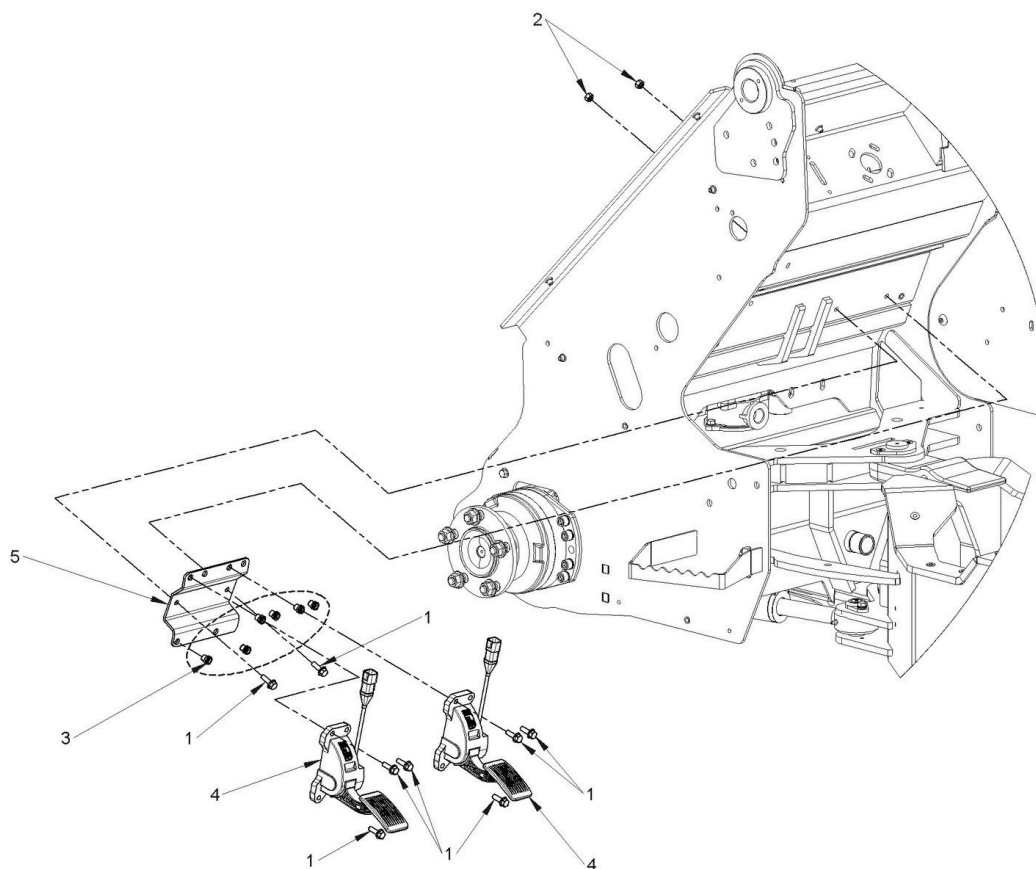
Component list [ TAV. 05 PUMPS AND ELECTRIC MOTORS ]

Pos.	Code	Description	Q.ty
1	C019201	HEXAGON FLANGE BOLT M8x16 DIN 6921	2.00000
2	C019203	HEXAGON FLANGE BOLT M8x25 ISO 1665	4.00000
3	C019211	M6x16 BOLT UNI 1665	3.00000
4	C020103	HEXAGON HEAD SCREW M10x35 ISO 4017	4.00000
5	C020219	UNI 5931 M10x25 SCREW	2.00000
6	C020233	{{>desc}}	4.00000
7	C020376	HEXAGON SOCKET HEAD CAP SCREW M5x50 UNI EN ISO 4762	6.00000
8	C020550	HEXAGON SOCKET OVAL HEAD SCREW 8.8 M10x25 ISO 7380	3.00000
9	C021502	SLOTTED AND CASTLE HEXAGON NUTS M8 DIN980	4.00000
10	C021503	SELF-LOCKING HEXAGONAL NUT M10 ZN DIN980	7.00000
11	C023041	NORD LOCK WASHER M8	4.00000
12	C023080	FLAT WASHER X M10 10.5X20X2	13.00000
13	C023100	PLAIN WASHER LARGE SERIES M8 DIN 9021	4.00000
14	C030382	PLUG HEXAGON SOCKET M 1/2" GAS	2.00000
15	C030542	BONDED WASHER 1/2" GAS	3.00000
16	C030963	8,3CC GEAR PUMP SAEA	1.00000



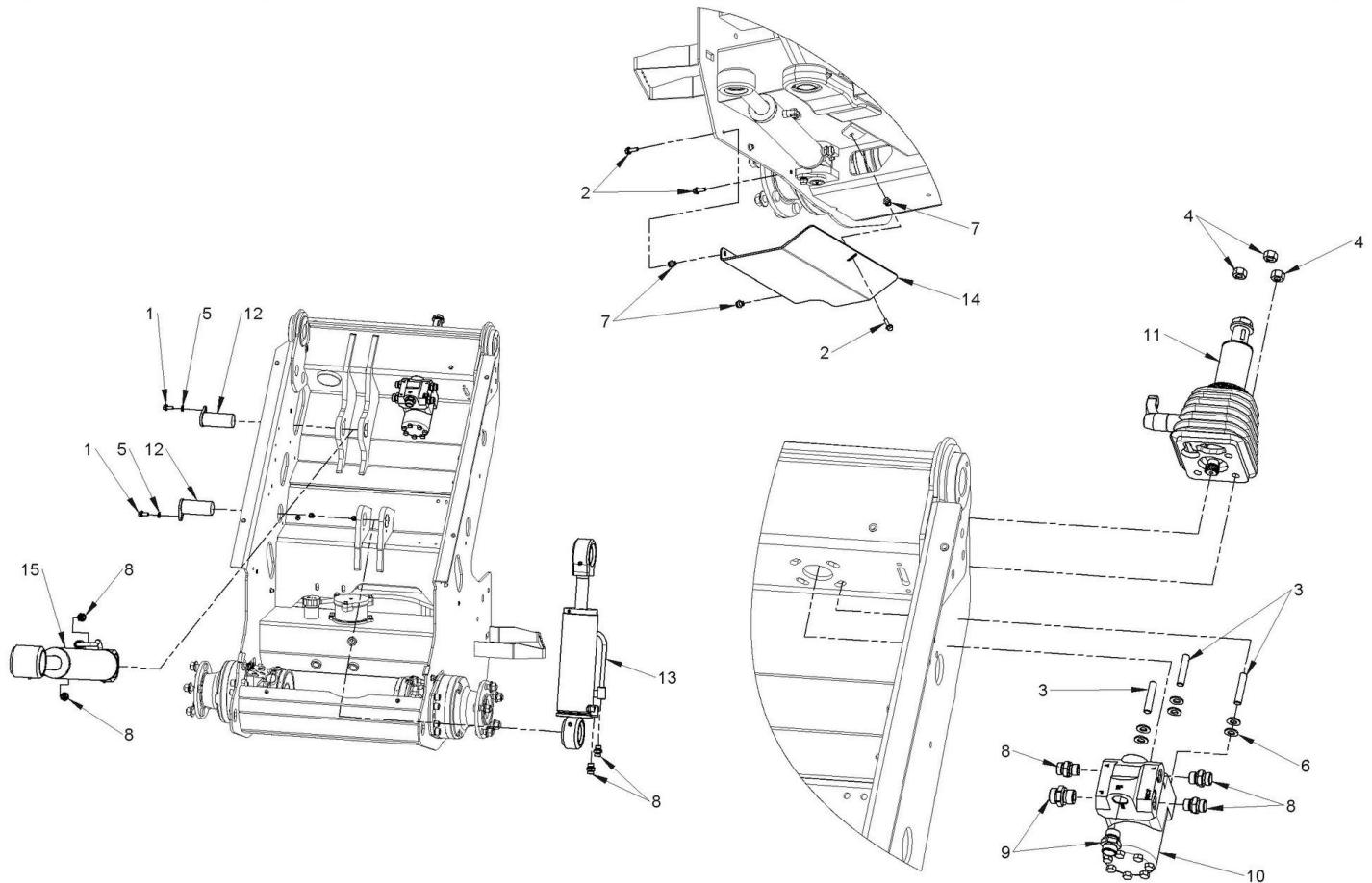
**Draft and part list report**  
**Serial n / code M351159 / C962020**  
**Description MULTIONE EZ 7**

17	C032600	AC MOTOR 48V 6 KW	1.00000
18	C032601	AC MOTOR 48 V - 2,5 KW	1.00000
19	C032690	TRASMISSION HYDR. MOTOR	1.00000
20	C032691	TRANSMISSION VALVE FOR EZ	1.00000
21	C033001	NIPPLES 3/8"" G / 12L	1.00000
22	C033002	NIPPLES 1/2"" G / 12L	1.00000
23	C033003	NIPPLES 1/2"" G / 15L	1.00000
24	C033020	NIPPLES 3/4" G - 15L	2.00000
25	C033301	{{>desc}}	1.00000
26	C281746	HYDRAULIC VALVES SIDE SUPPORT	1.00000
27	C285071	{{>desc}}	1.00000
28	C285072	{{>desc}}	1.00000



Component list [ TAV. 06 PEDALS ]

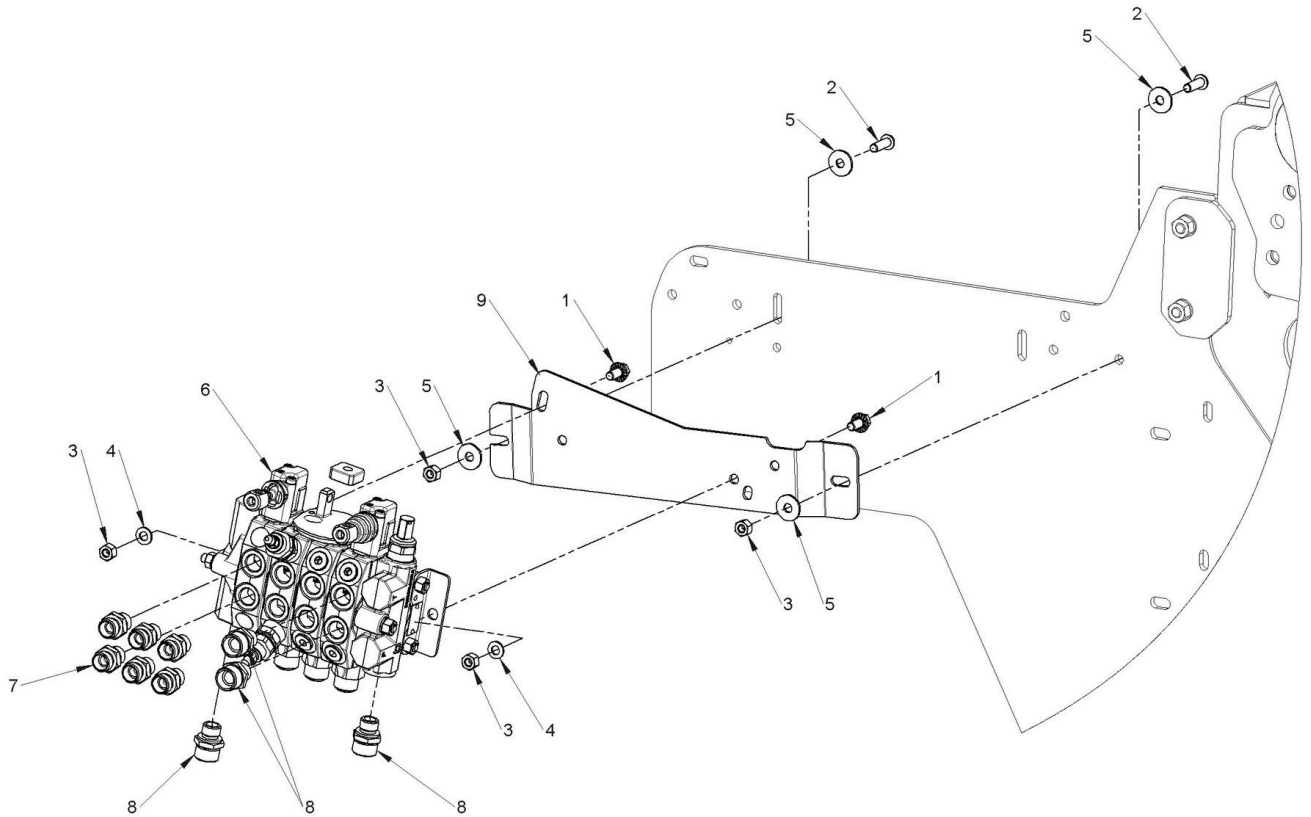
Pos.	Code	Description	Q.ty
1	C019203	HEXAGON FLANGE BOLT M8X25 ISO 1665	8.00000
2	C021502	SLOTTED AND CASTLE HEXAGON NUTS M8 DIN980	2.00000
3	C028287	THREAD INSERT M8	6.00000
4	C032630	HALL EFFECT PEDAL	2.00000
5	C285227	{{>desc}}	1.00000



Component list [ TAV. 07 CYLINDER AND POWER STEERING ]

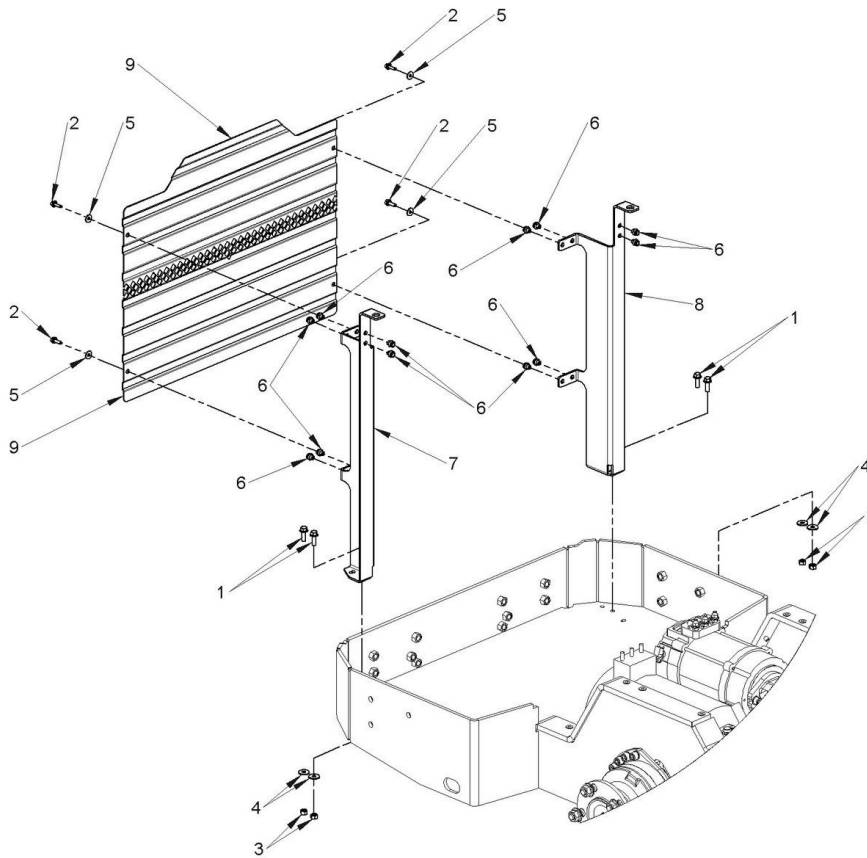
Pos.	Code	Description	Q.ty
1	C019202	HEXAGON FLANGE BOLT M8X20 DIN 6921	2.00000
2	C019212	M6x20 BOLT UNI 1665	3.00000
3	C020551	THREAD BAR M10X50	3.00000
4	C021503	SELF-LOCKING HEXAGONAL NUT M10 ZN DIN980	3.00000
5	C023041	NORD LOCK WASHER M8	2.00000
6	C023080	FLAT WASHER X M10 10.5X20X2	6.00000
7	C028271	THREAD INSERT M6	3.00000
8	C033001	NIPPLES 3/8" G / 12L	7.00000
9	C033003	NIPPLES 1/2" G / 15L	2.00000
10	C038510	STEERING UNIT S/SL/GT>2007/MIG 80CC	1.00000
11	C038517	ADJUSTING STEERING COLUMN L=150	1.00000
12	C281765	FLANGED PIN 140 L=90	2.00000
13	C281772	90-35-177 SELF-LEVELING CYLINDER M1 7-8 M1 SD 7-8	1.00000
14	C281783	POWER STEERING CYLINDER PROTECTION COVER	1.00000
15	C283098	LIFTING BOOM CYLINDER	1.00000





Component list [ TAV. 08 VALVE BANK ]

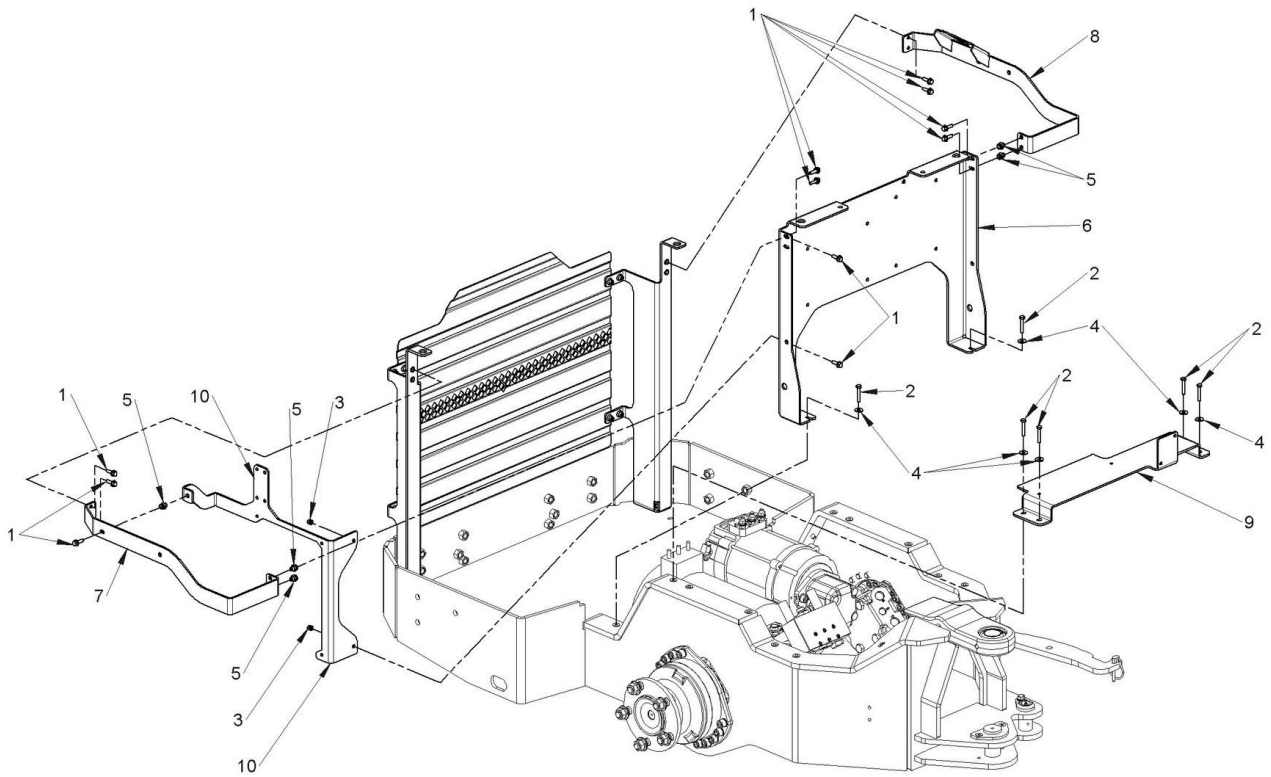
Pos.	Code	Description	Q.ty
1	C019201	HEXAGON FLANGE BOLT M8x16 DIN 6921	2.00000
2	C020543	HEXAGON SOCKET OVAL HEAD SCREW M8x25 ISO 7380	2.00000
3	C021502	SLOTTED AND CASTLE HEXAGON NUTS M8 DIN980	4.00000
4	C023071	PLAIN WASHER M8 8.4x16x1.6 UNI6592	2.00000
5	C023100	PLAIN WASHER LARGE SERIES M8 DIN 9021	4.00000
6	C030759	S500 HYDRAULIC DISTRIBUTOR >07-2012 WITH VALVES	1.00000
7	C033001	NIPPLES 3/8" G / 12L	6.00000
8	C033010	3/8" -15L MALE JOINT	4.00000
9	C281647	BUCHER DISTRIBUTOR SUPPORT	1.00000



Component list [ TAV. 09 REAR NET ]

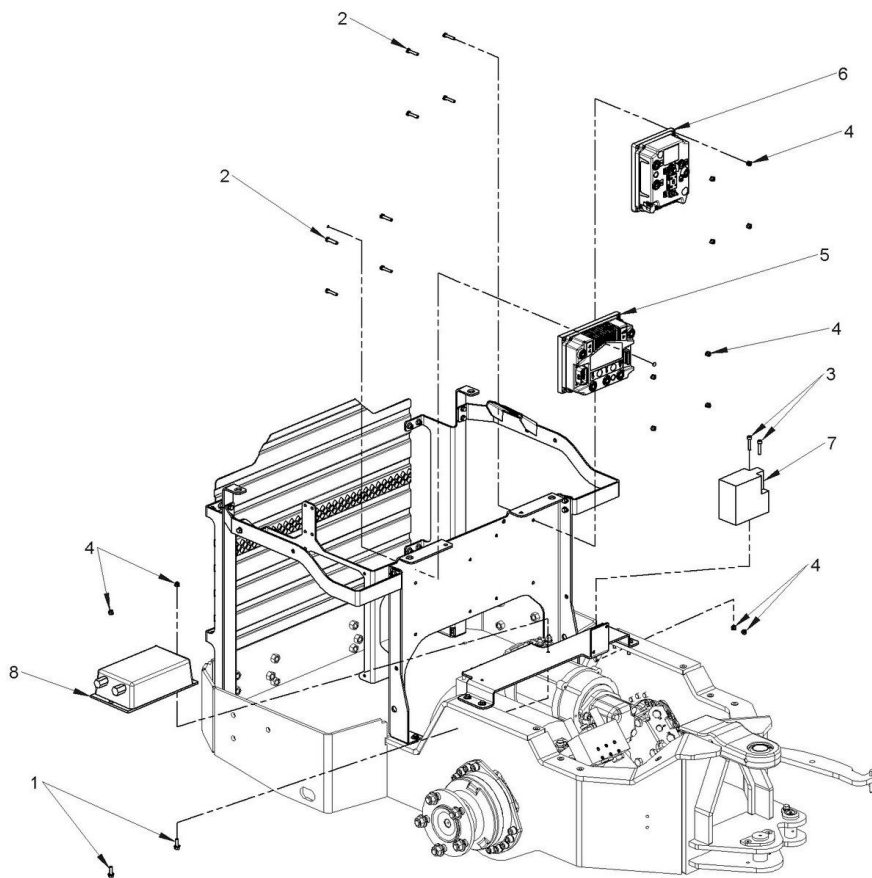
Pos.	Code	Description	Q.ty
1	C019203	HEXAGON FLANGE BOLT M8X25 ISO 1665	4.00000
2	C019212	M6x20 BOLT UNI 1665	4.00000
3	C021502	SLOTTED AND CASTLE HEXAGON NUTS M8 DIN980	4.00000
4	C023100	PLAIN WASHER LARGE SERIES M8 DIN 9021	4.00000
5	C023110	PLAIN WASHER LARGE SERIES M6 6.5X18X1.5 DIN9021	4.00000
6	C028271	THREAD INSERT M6	12.00000
7	C285066	{{>desc}}	1.00000
8	C285067	{{>desc}}	1.00000
9	C285068	{{>desc}}	1.00000





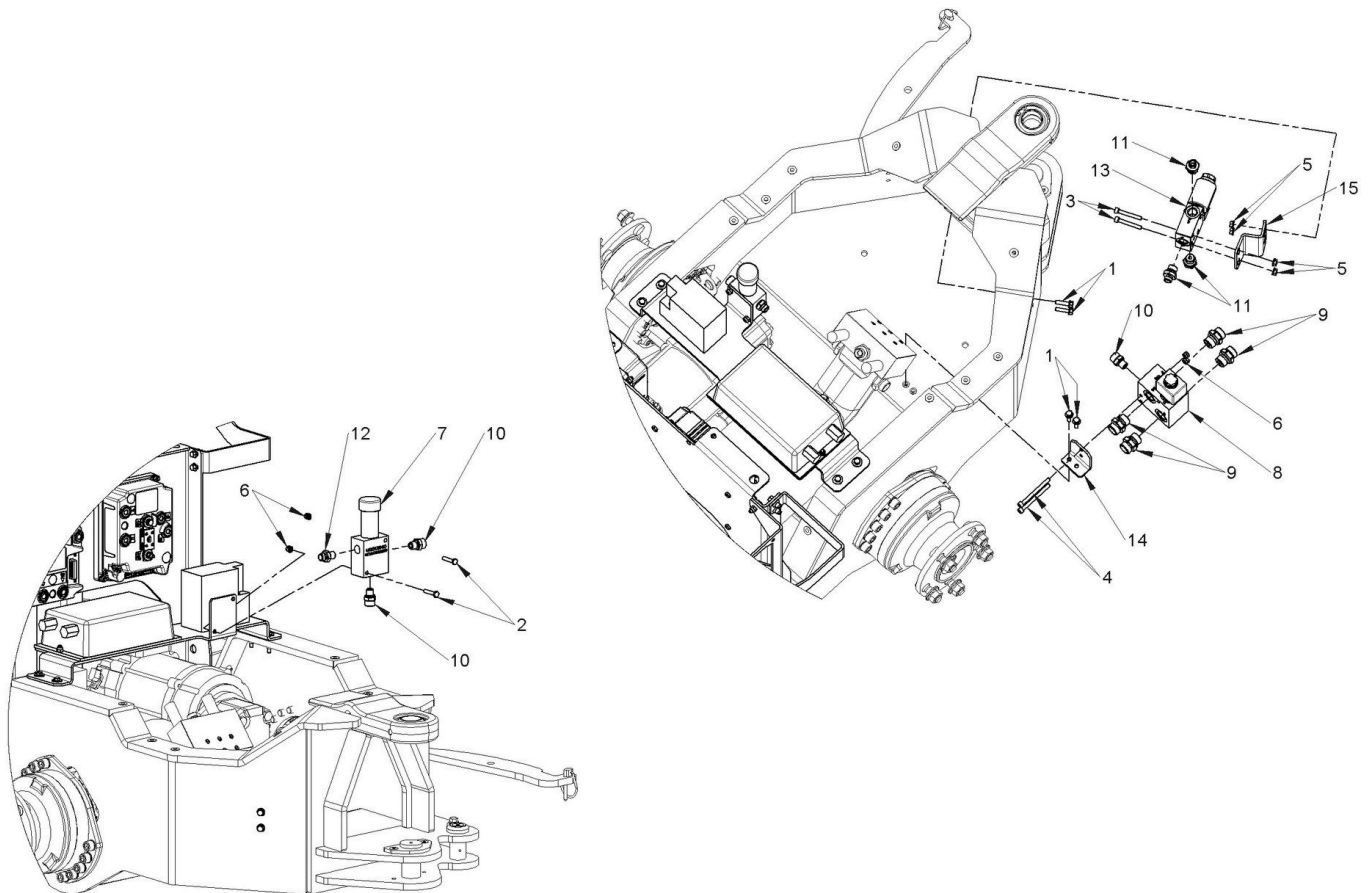
Component list [ TAV. 10 REAR SUPPORTS ]

Pos.	Code	Description	Q.ty
1	C019212	M6x20 BOLT UNI 1665	11.00000
2	C020054	HEXAGON HEAD SCREW M6x35 ZB UNI 4017	6.00000
3	C021104	PREVAILING TORQUE-TYPE HEXAGONAL NUTS WITH POLYAMIDE RING M6 UNI 7473	2.00000
4	C023110	PLAIN WASHER LARGE SERIES M6 6.5X18X1.5 DIN9021	6.00000
5	C028271	THREAD INSERT M6	5.00000
6	C285061	{{>desc}}	1.00000
7	C285062	{{>desc}}	1.00000
8	C285065	{{>desc}}	1.00000
9	C285073	{{>desc}}	1.00000
10	C285222	{{>desc}}	1.00000



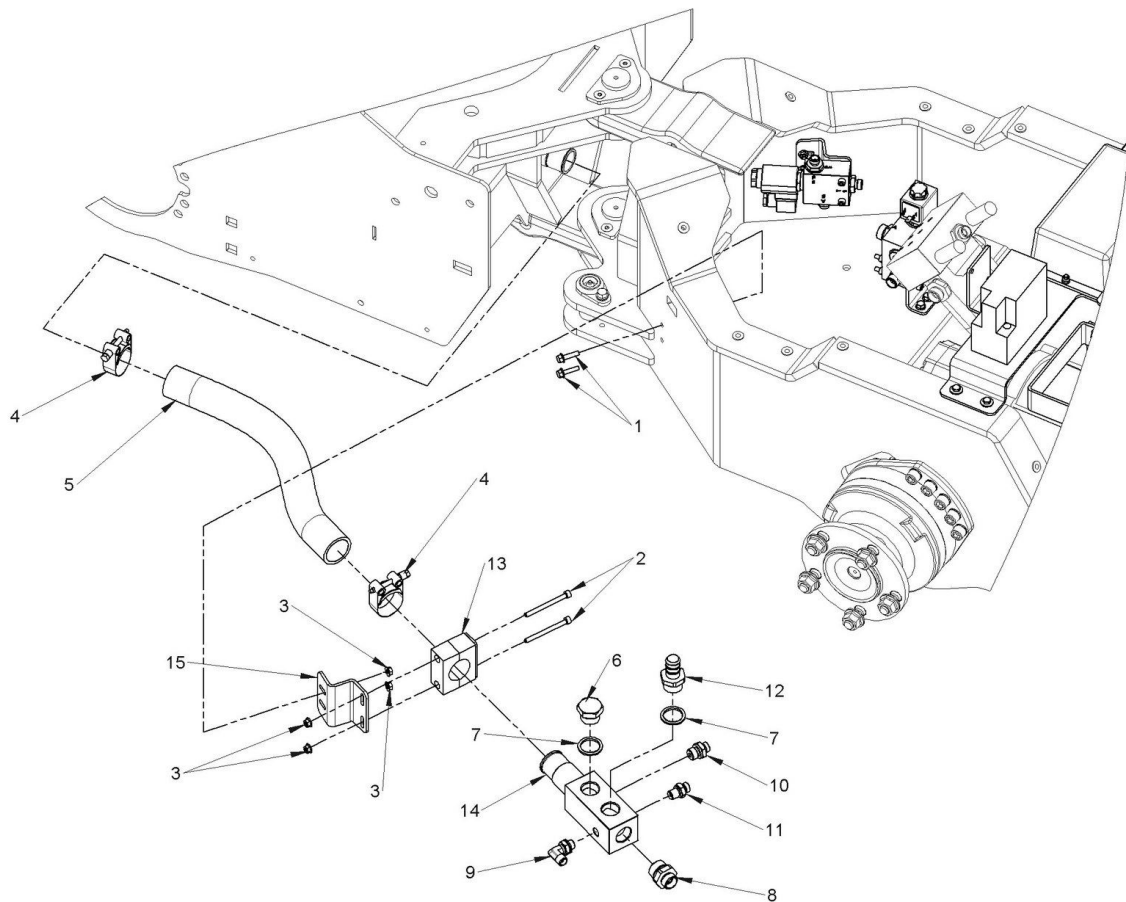
Component list [ TAV. 11 ELECTRIC PARTS ]

Pos.	Code	Description	Q.ty
1	C019212	M6x20 BOLT UNI 1665	2.00000
2	C020053	UNI 5739 M6x30 SCREW	8.00000
3	C020213	SCREW TCCEI M6X30 DIN 912	2.00000
4	C021104	PREVAILING TORQUE-TYPE HEXAGONAL NUTS WITH POLYAMIDE RING M6 UNI 7473	12.00000
5	C032620	INVERTER 400A 6 KW	1.00000
6	C032621	INVERTER 210A 6 KW	1.00000
7	C032625	MAIN RELAIS 180A	1.00000
8	C032627	DC/DC CONVERTER 48/12V	1.00000



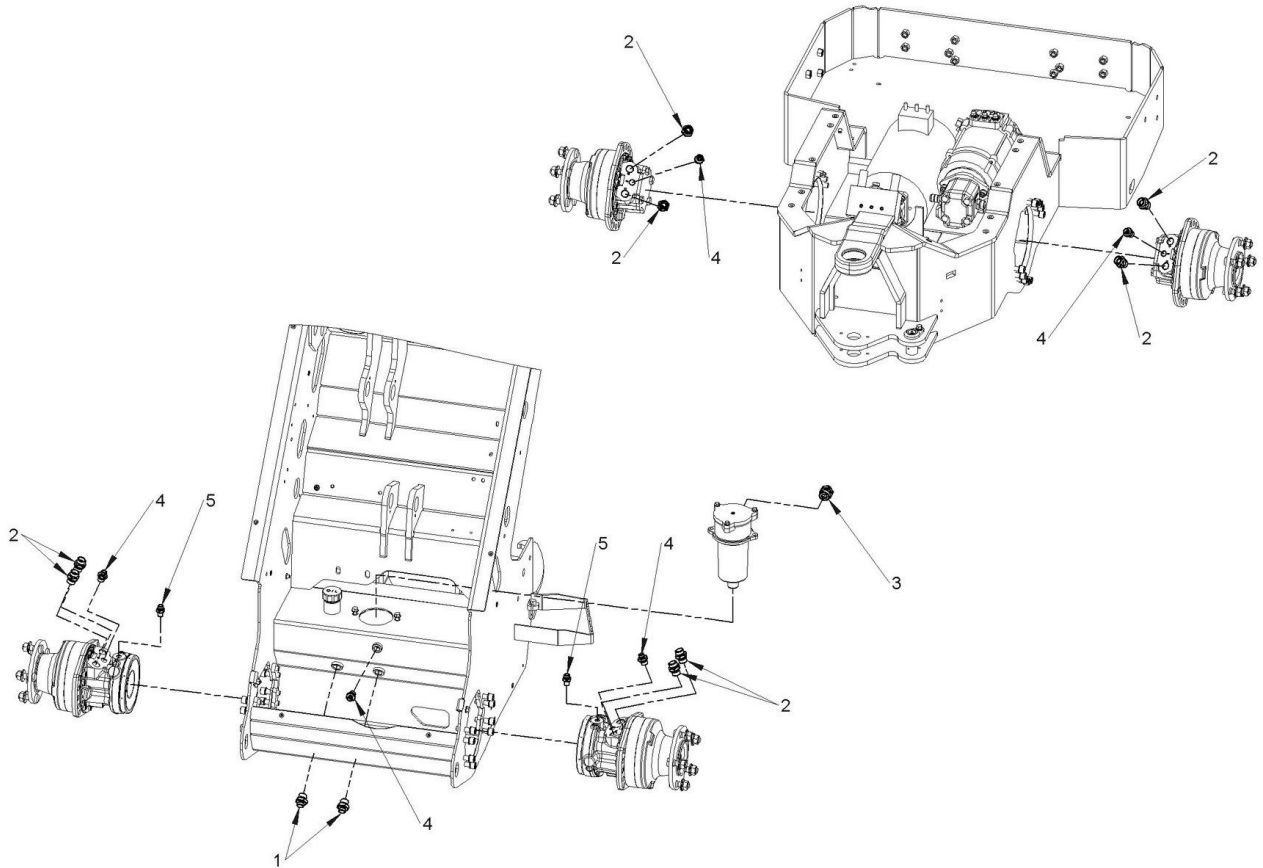
Component list [ TAV. 12 VALVES ]

Pos.	Code	Description	Q.ty
1	C019213	M6x25 BOLT UNI 1665	4.00000
2	C020053	UNI 5739 M6x30 SCREW	2.00000
3	C020216	SCREW TCCEI M6X45 DIN 912	2.00000
4	C020241	UNI EN ISO 4762 M6x70 SCREW	2.00000
5	C021018	NUT E 6S M6 SERPRESS	4.00000
6	C021104	PREVAILING TORQUE-TYPE HEXAGONAL NUTS WITH POLYAMIDE RING M6 UNI 7473	4.00000
7	C030785	REDUCER VALVE FOR EZ	1.00000
8	C031052	DBS TRANSMISSION VALVE	1.00000
9	C033003	NIPPLES 1/2" G / 15L	4.00000
10	C033009	NIPPLES 1/4" G - 12L	3.00000
11	C033133	NIPPLES 3/8" GAS / 8L	3.00000
12	C033134	NIPPLES 1/4GAS-8L	1.00000
13	C036621	ELECTROVALVE 3WAY G3/8 12V DC	1.00000
14	C281655	DIFFERENTIAL VALVE SUPPORT	1.00000
15	C281656	OIL SUCTION MANIFOLD / DOUBLE SPEEDD VALVE SUPPORT	1.00000



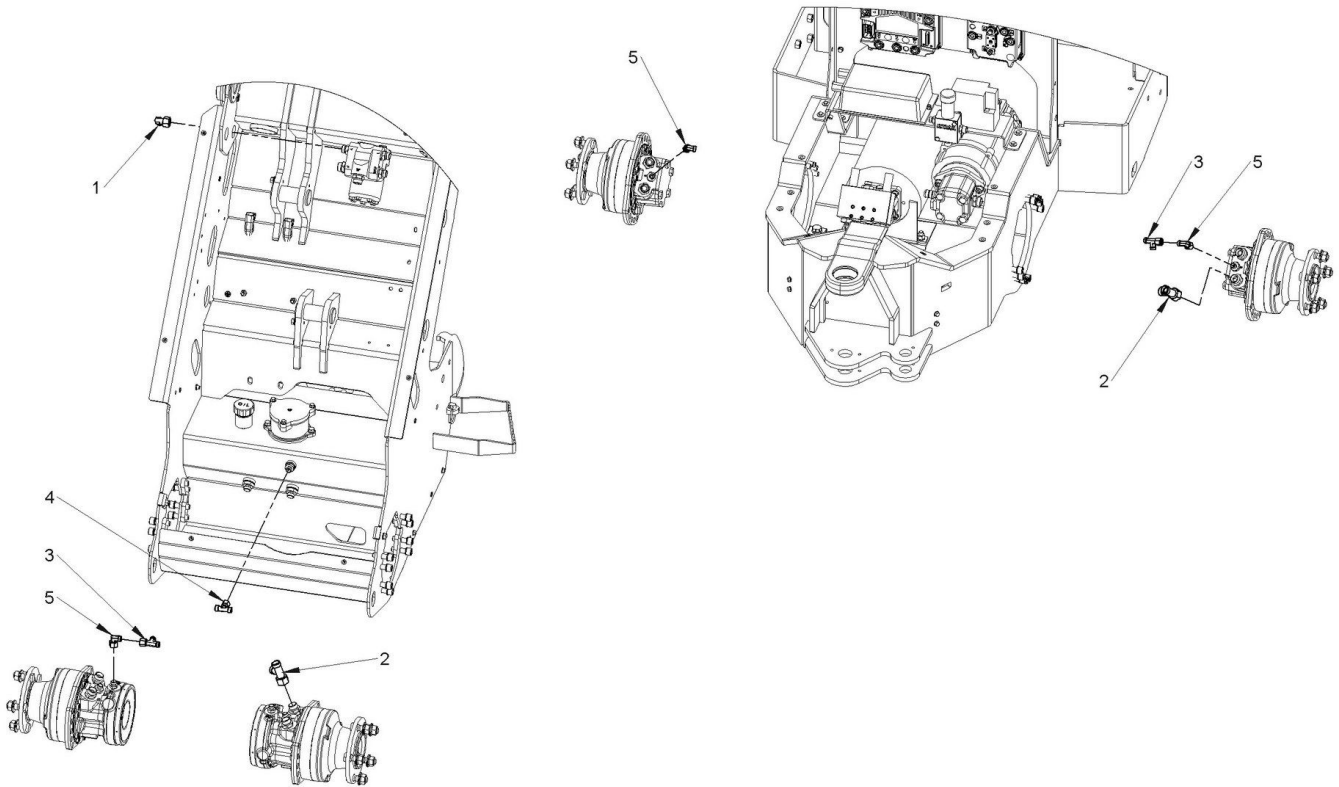
Component list [ TAV. 13 OIL SUCTION BLOCK ]

Pos.	Code	Description	Q.ty
1	C019213	M6x25 BOLT UNI 1665	2.00000
2	C020241	UNI EN ISO 4762 M6x70 SCREW	2.00000
3	C021018	NUT E 6S M6 SERPRESS	4.00000
4	C029049	STEEL BELT 43/47 MM	2.00000
5	C030120	SUCTION PIPE $\varnothing 38\text{-}\varnothing 47 \times 420$	1.00000
6	C030383	TAPPO ESAGONALE M 3/4 GAS	1.00000
7	C030543	BONDED WASHER 3/4" GAS	2.00000
8	C033020	NIPPLES 3/4" G - 15L	1.00000
9	C033096	JOINT 90° 1/4 BSP - 8L	1.00000
10	C033133	NIPPLES 3/8" GAS / 8L	1.00000
11	C033134	NIPPLES 1/4GAS-8L	1.00000
12	C033300	STRAIGHT HOSE CONNECTOR 3/4" FOR 3/4" HOSE	1.00000
13	C035107	COLLARE FISSATUBO A 1 POSTO PER TUBO DA $\varnothing 38$ TIPO A5 38+APS SENZA PIASTRINA	1.00000
14	C274183/L	INTAKE OIL COLLECTOR	1.00000
15	C281656	OIL SUCTION MANIFOLD / DOUBLE SPEEDD VALVE SUPPORT	1.00000



Component list [ TAV. 14 WHEEL MOTORS MALE JOINT ]

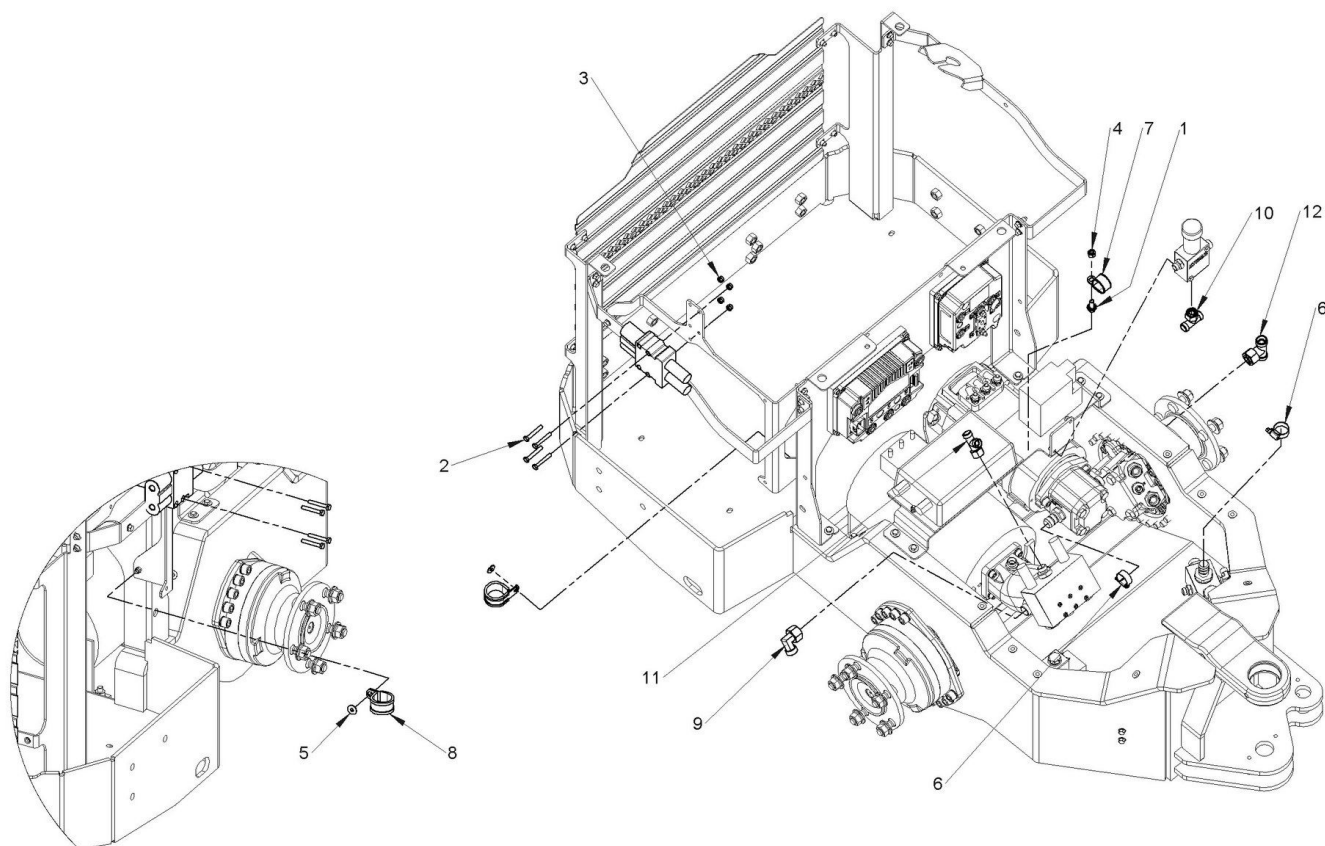
Pos.	Code	Description	Q.ty
1	C033002	NIPPLES 1/2" G / 12L	2.00000
2	C033003	NIPPLES 1/2" G / 15L	8.00000
3	C033020	NIPPLES 3/4" G - 15L	1.00000
4	C033133	NIPPLES 3/8" GAS / 8L	5.00000
5	C033134	NIPPLES 1/4GAS-8L	2.00000



Component list [ TAV. 15 WHEEL MOTORS FITTINGS ]

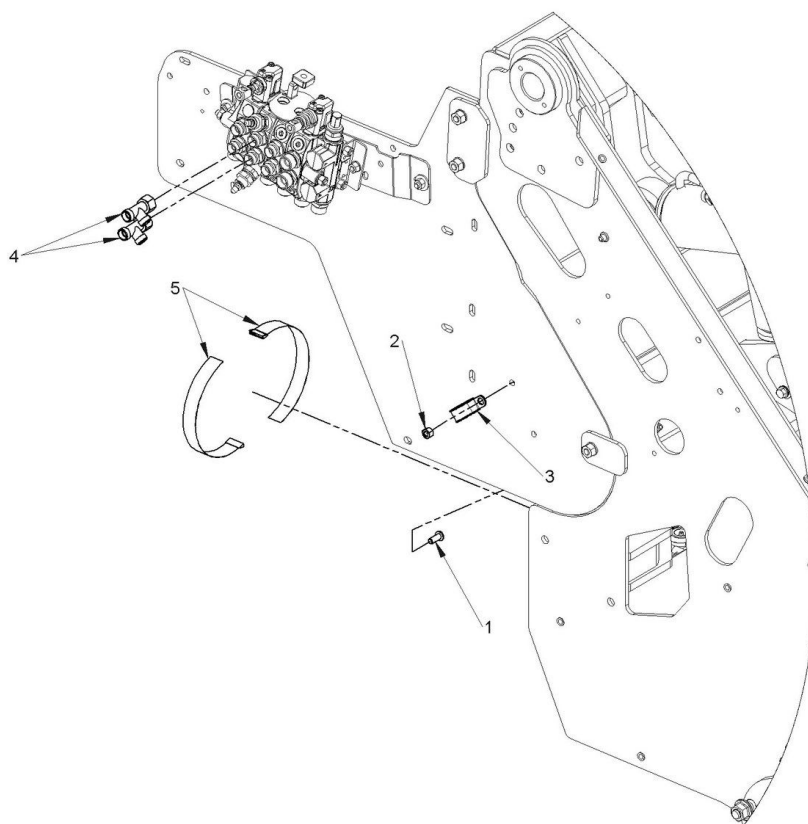
Pos.	Code	Description	Q.ty
1	C033024	ELBOW FITTING F12L ORIENT. /M12L	1.00000
2	C033035	T FITTING F-M-M 15L	2.00000
3	C033085	TEES CONNECTION F-M-M 8L	2.00000
4	C033086	TEES-CONNECTION M-F-M 8L	1.00000
5	C033131	CONNECTOR 90° FG8L / M8L	3.00000





Component list [ TAV. 16 REAR SIDE FITTINGS ]

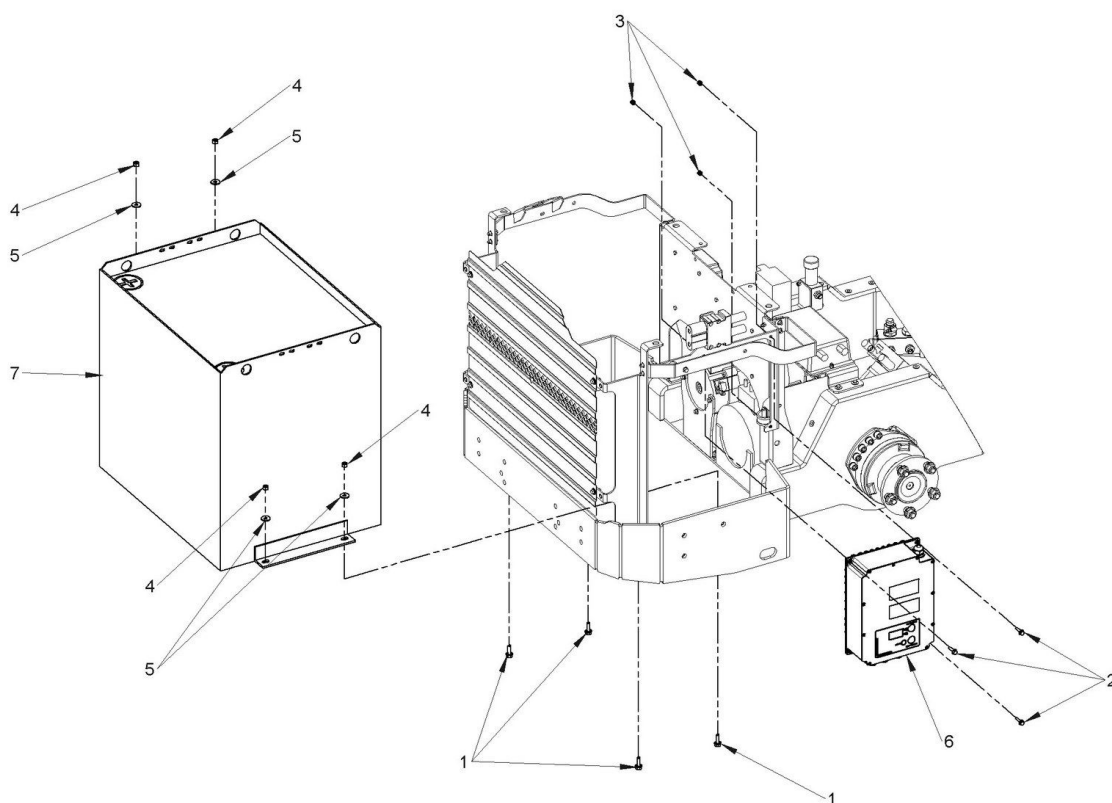
Pos.	Code	Description	Q.ty
1	C019202	HEXAGON FLANGE BOLT M8X20 DIN 6921	1.00000
2	C020055	{{>desc}}	4.00000
3	C021104	PREVAILING TORQUE-TYPE HEXAGONAL NUTS WITH POLYAMIDE RING M6 UNI 7473	4.00000
4	C021502	SLOTTED AND CASTLE HEXAGON NUTS M8 DIN980	1.00000
5	C023110	PLAIN WASHER LARGE SERIES M6 6.5X18X1.5 DIN9021	1.00000
6	C029046	STEEL BELT 20/32 MM	2.00000
7	C029052	Ø30 RUBBERED INOX BELT W/HOLE Ø11	1.00000
8	C029053	Ø35 RUBBERED INOX BELT W/HOLE Ø11	1.00000
9	C033025	90° FITTING F15L ORIENT. / M15L	1.00000
10	C033031	T CONNECTION M-F-M 12L	1.00000
11	C033032	T-CONNECTION F-M-M 12L	1.00000
12	C033034	RACCORDO A T M-F-M 15L	1.00000



Component list [ TAV. 17 VALVE BANK FITTINGS ]

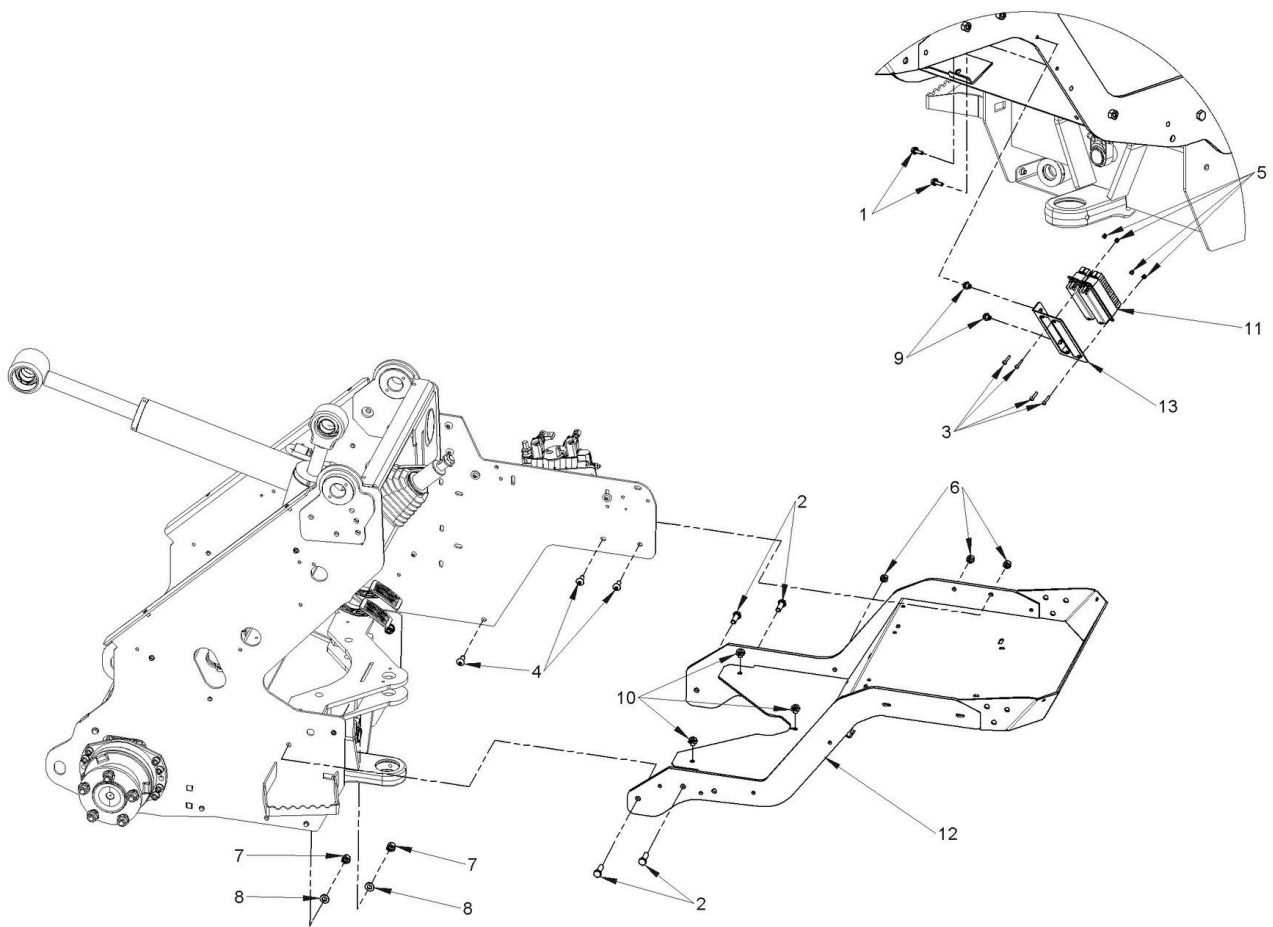
Pos.	Code	Description	Q.ty
1	C020541	HEXAGON SOCKET OVAL HEAD SCREW M8x20 ISO 7380	1.00000
2	C021502	SLOTTED AND CASTLE HEXAGON NUTS M8 DIN980	1.00000
3	C029052	Ø30 RUBBERED INOX BELT W/HOLE Ø11	1.00000
4	C033032	T-CONNECTION F-M-M 12L	2.00000
5	C035300	35 CM BLACK BELT WITH CLAMP	2.00000





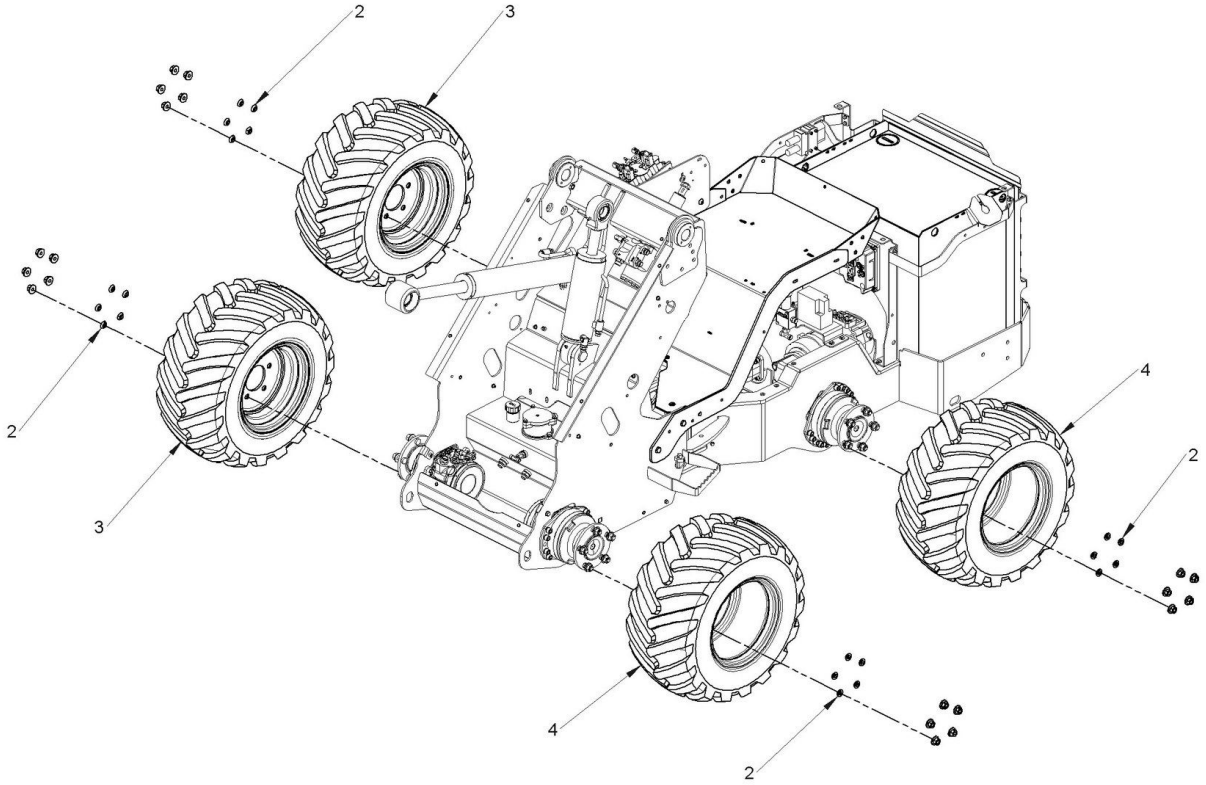
Component list [ TAV. 18 BATTERY ]

Pos.	Code	Description	Q.ty
1	C019203	HEXAGON FLANGE BOLT M8X25 ISO 1665	4.00000
2	C019213	M6x25 BOLT UNI 1665	3.00000
3	C021104	PREVAILING TORQUE-TYPE HEXAGONAL NUTS WITH POLYAMIDE RING M6 UNI 7473	3.00000
4	C021502	SLOTTED AND CASTLE HEXAGON NUTS M8 DIN980	4.00000
5	C023100	PLAIN WASHER LARGE SERIES M8 DIN 9021	4.00000
6	C032640	BATTERY CHARGER 48V 50A lead battery	1.00000
7	C032660	BATTERY 48V 340AH	1.00000
8	C038157	8 LINES FUSE BOX	2.00000



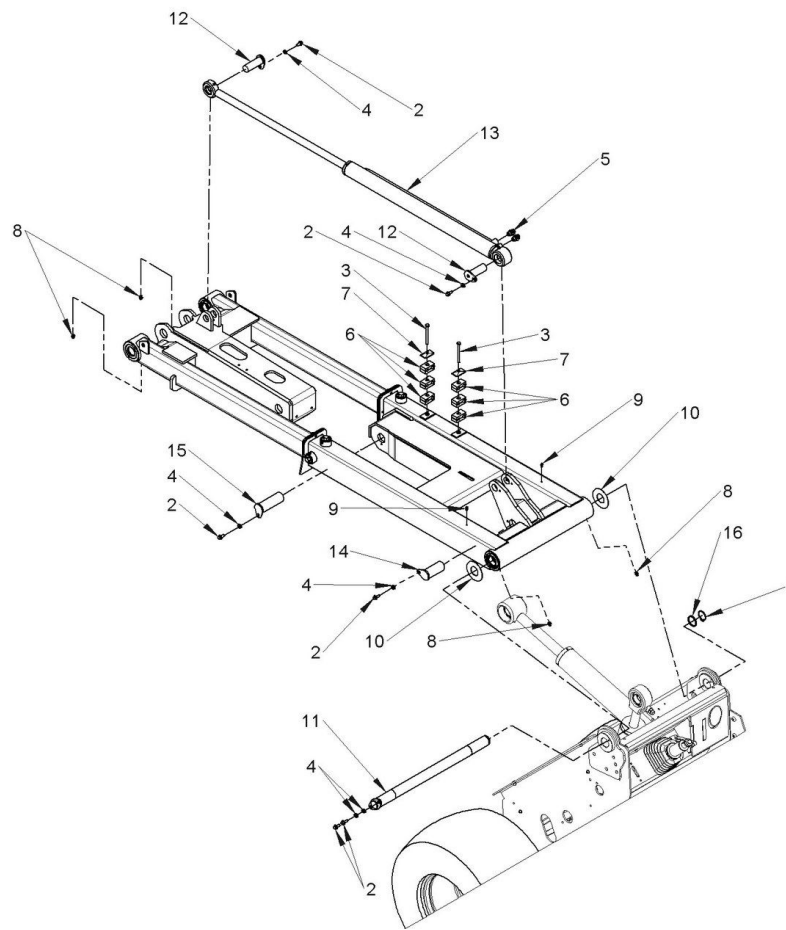
Component list [ TAV. 19 SEAT SUPPORT ]

Pos.	Code	Description	Q.ty
1	C019212	M6x20 BOLT UNI 1665	2.00000
2	C020133	{{>desc}}	4.00000
3	C020283	VITE TCCEI M4x16 ZN DIN 912	4.00000
4	C020550	HEXAGON SOCKET OVAL HEAD SCREW 8.8 M10X25 ISO 7380	3.00000
5	C021103	SELF LOCKING NUT M4 DIN 982	4.00000
6	C021503	SELF-LOCKING HEXAGONAL NUT M10 ZN DIN980	3.00000
7	C021504	SELF BRAKING NUT M12 DIN 980	4.00000
8	C023102	PLAIN WASHER M12 UNI 6592	4.00000
9	C028294	THREAD INSERT M6	2.00000
10	C028298	THREAD INSERT M8	3.00000
11	C038157	8 LINES FUSE BOX	2.00000
12	C281763	FIXING BASE SEAT M1 6->10	1.00000
13	C281852	FUSE SUPPORT REV.03	1.00000



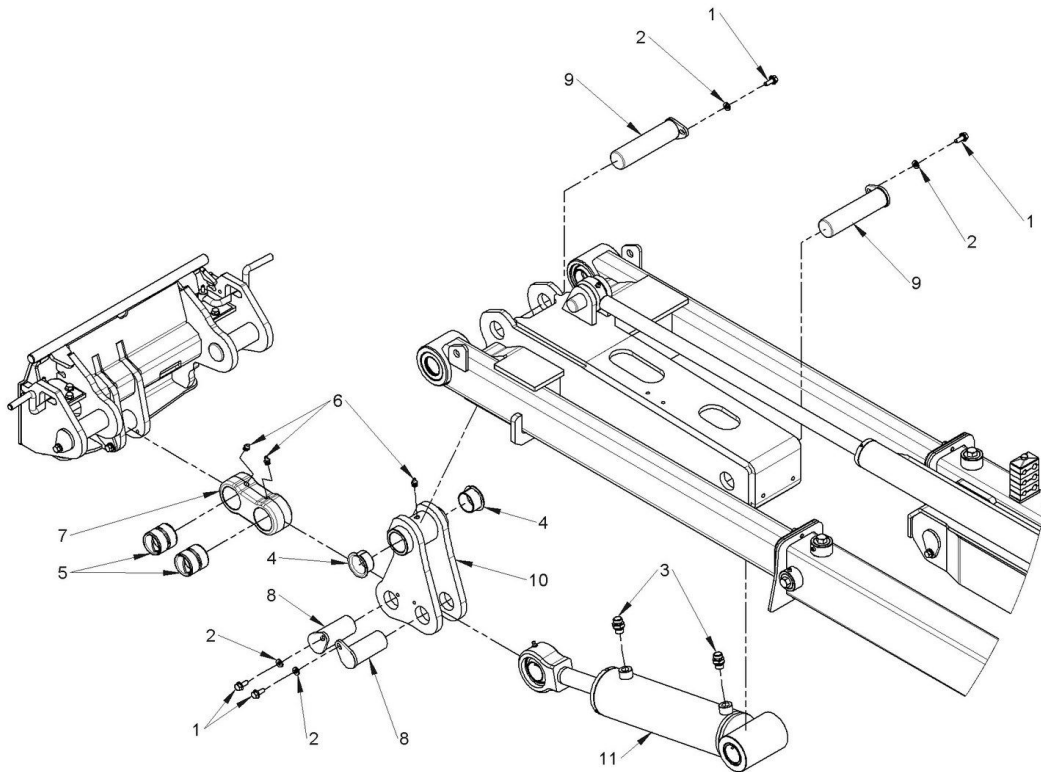
Component list [ TAV. 20 WHEELS ]

Pos.	Code	Description	Q.ty
1	C021135	FLANGED NUT M14X1.5 FOR POCLAIN WHEEL MOTOR	20.00000
2	C023500	WASHER LIMES D.14 FOR GT WHEEL SCREWS	20.00000
3	C040056	26X12.00-12 TRACTOR WHEEL 5 HOLES ET -50	2.00000
4	C040056	26X12.00-12 TRACTOR WHEEL 5 HOLES ET -50	2.00000



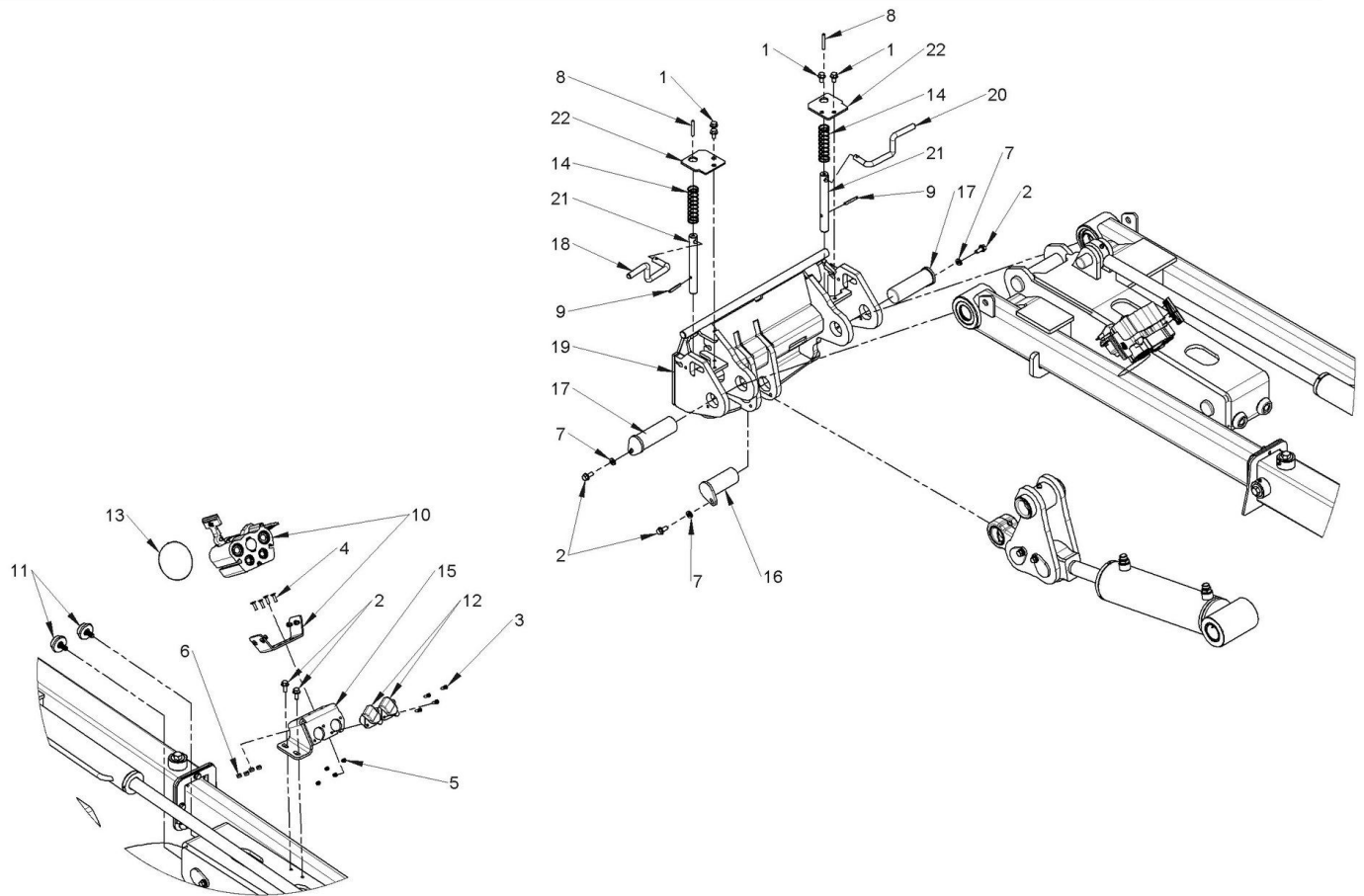
Component list [ TAV. 21 BOOM ]

Pos.	Code	Description	Q.ty
1	C018300	SEEGER RINGI ĩ40 UNI 7435	1.00000
2	C019202	HEXAGON FLANGE BOLT M8X20 DIN 6921	6.00000
3	C020082	HEXAGON HEAD SCREW 8.8 M8X90 UNI 5739	2.00000
4	C023041	NORD LOCK WASHER M8	6.00000
5	C033001	NIPPLES 3/8" G / 12L	2.00000
6	C035119	DOUBLE HOSE HOLDER, ĩ12 AND ĩ15	6.00000
7	C035140	UPPER PLATE FOR HOSE HOLDER, TWIN	2.00000
8	C090030	GREASER M10X1 UNI 7663A	4.00000
9	C090032	GREASER M6x1 UNI 7663A	2.00000
10	C274024	Ø88-Ø40,5 TH 1,5 SPACER	2.00000
11	C281623	Ø40x635 PIN	1.00000
12	C281704	Ø30x85 PIN	2.00000
13	C281745	TELESCOPIC BOOM CYLINDER	1.00000
14	C281765	FLANGED PIN ĩ40 L=90	1.00000
15	C281799	PIN ĩ40 L=120	1.00000
16	C284489	Ø40-Ø46 TH 3 SPACER	1.00000



Component list [ TAV. 22 PLATE TILT ]

Pos.	Code	Description	Q.ty
1	C019202	HEXAGON FLANGE BOLT M8X20 DIN 6921	4.00000
2	C023041	NORD LOCK WASHER M8	4.00000
3	C033001	NIPPLES 3/8" G / 12L	2.00000
4	C037641	BUSHING Ĩ40x44x55x25	2.00000
5	C037689	SIBO BUSHING 50x40x50	2.00000
6	C090030	GREASER M10X1 UNI 7663A	3.00000
7	C281713	COUPLING PLATE ROD	1.00000
8	C281765	FLANGED PIN Ĩ40 L=90	2.00000
9	C281779	PIN Ĩ40 L=155	2.00000
10	C281780	FIRST TILT LEVER	1.00000
11	C281773	90-35-236 TILT PLATE CYLINDER M1 7-8 SD 7-8	1.00000



Component list [ TAV. 23 COUPLING PLATE ]

Pos.	Code	Description	Q.ty
1	C019201	HEXAGON FLANGE BOLT M8x16 DIN 6921	4.00000
2	C019202	HEXAGON FLANGE BOLT M8X20 DIN 6921	5.00000
3	C020036	HEXAGON SOCKET HEAD CAP SCREW M5x16 UNI 5931	4.00000
4	C020187	SCREW TSPEI 10.9 M6X20 UNI5933 ZN	4.00000
5	C021102	PREVAILING TORQUE - TYPE HEXAGON NUT WITH POLYAMIDE RING M5 DIN 982	4.00000
6	C021104	PREVAILING TORQUE-TYPE HEXAGONAL NUTS WITH POLYAMIDE RING M6 UNI 7473	4.00000
7	C023041	NORD LOCK WASHER M8	3.00000
8	C028249	PIN Ø6x45	2.00000
9	C028267	SPRING TYPE STRAIGHT PIN Ĩ6x40 UNI 6875	2.00000
10	C030480	HYDRAULIC MULTICONNECTOR, FIX 3 WAY	1.00000
11	C035078	RUBBER END	2.00000
12	C036431	3 POLE FEMALE SOCKET	2.00000
13	C038772	LATCH	1.00000
14	C220330	COMPRESSION SPRING	2.00000
15	C281640	MULTICONNECTOR PLATE SUPPORT	1.00000
16	C281765	FLANGED PIN Ĩ40 L=90	1.00000



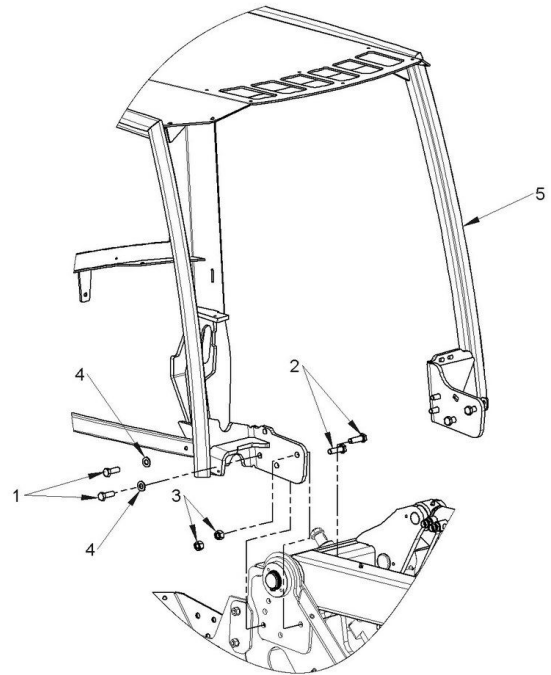
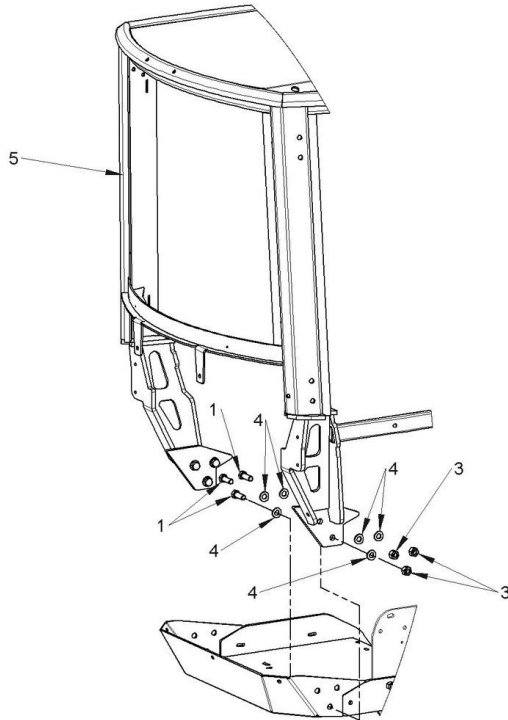
**Draft and part list report**  
**Serial n / code M351159 / C962020**  
**Description MULTIONE EZ 7**

17	C281799	PIN 140 L=120	2.00000
18	C281827	LEFT LEVER, COUPLING PLATE	1.00000
19	C281860	COUPLING PLATE	1.00000
20	C281869	RIGHT LEVER, COUPLING PLATE	1.00000
21	C281870/L	LOCKIN ATTACHMENTS PIN	2.00000
22	C281871	CENTERING PIN PLATE	2.00000



LE STESSE VITI ANCHE SUL LATO SX

SAME SCREW ON THE LEFT SIDE



LE STESSE VITI ANCHE SUL LATO SX

SAME SCREW ON THE LEFT SIDE

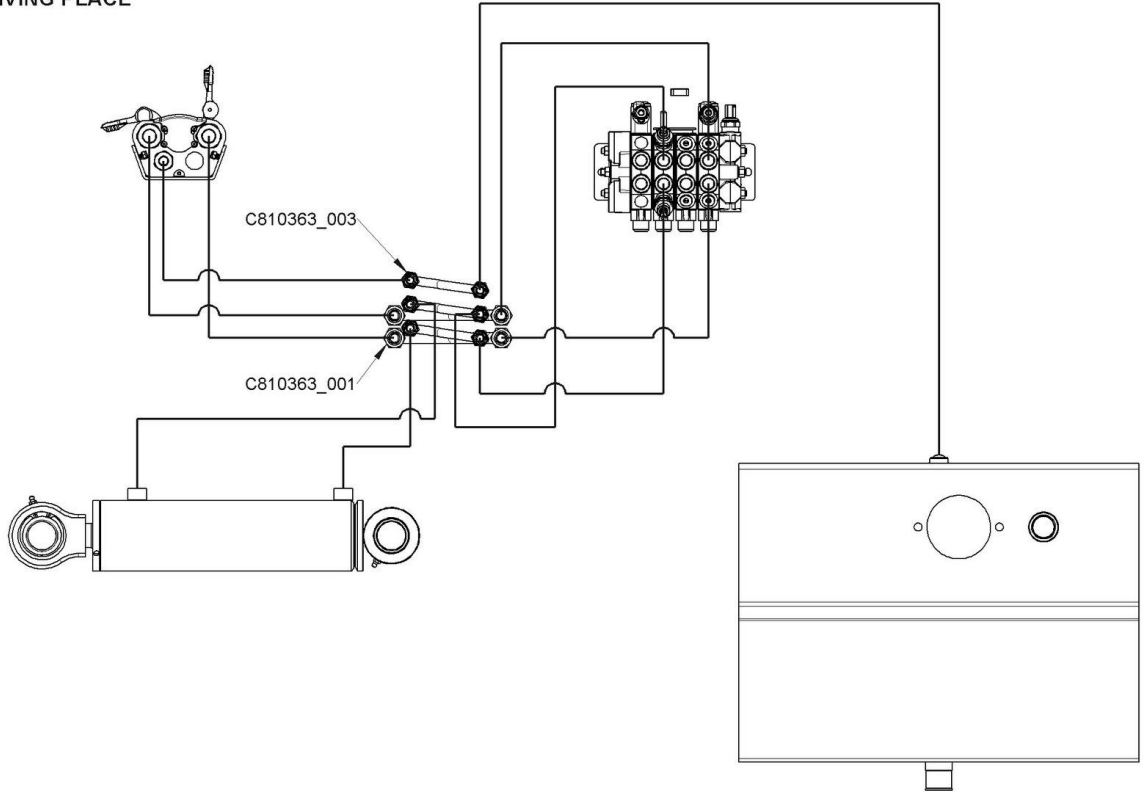
Component list [ TAV. 24 ROLLBAR ]

Pos.	Code	Description	Q.ty
1	C020133	{{>desc}}	10.00000
2	C020139	HEXAGON HEAD SCREW M12x40 UNI 4017	4.00000
3	C021504	SELF BRAKING NUT M12 DIN 980	10.00000
4	C023102	PLAIN WASHER M12 UNI 6592	16.00000
5	C282200	ROLL-BAR FRAME REV.16	1.00000



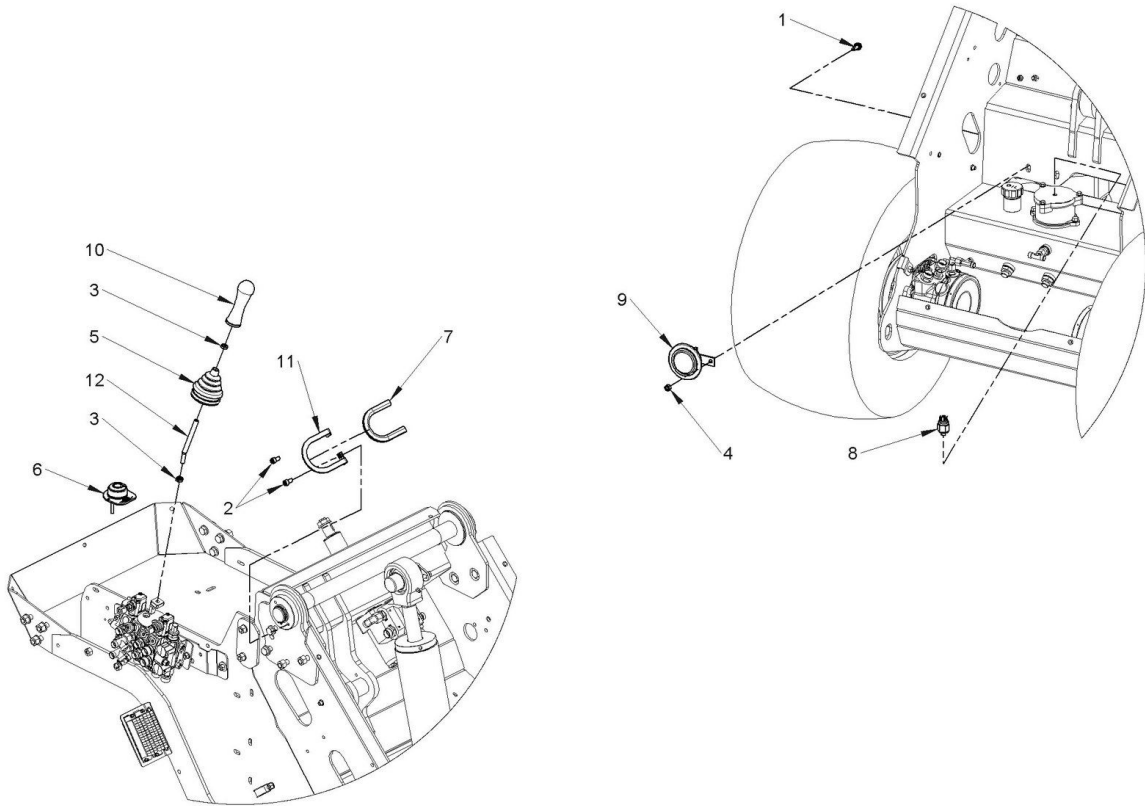
SCHEMA DI COLLEGAMENTO DEI TUBI RIGIDI SUL BRACCIO  
 VISTA DEI TUBI DA SEDUTO IN MACCHINA

HOSE DIAGRAM OF PIPES BOOM CONNECTION  
 VIEW FROM DRIVING PLACE



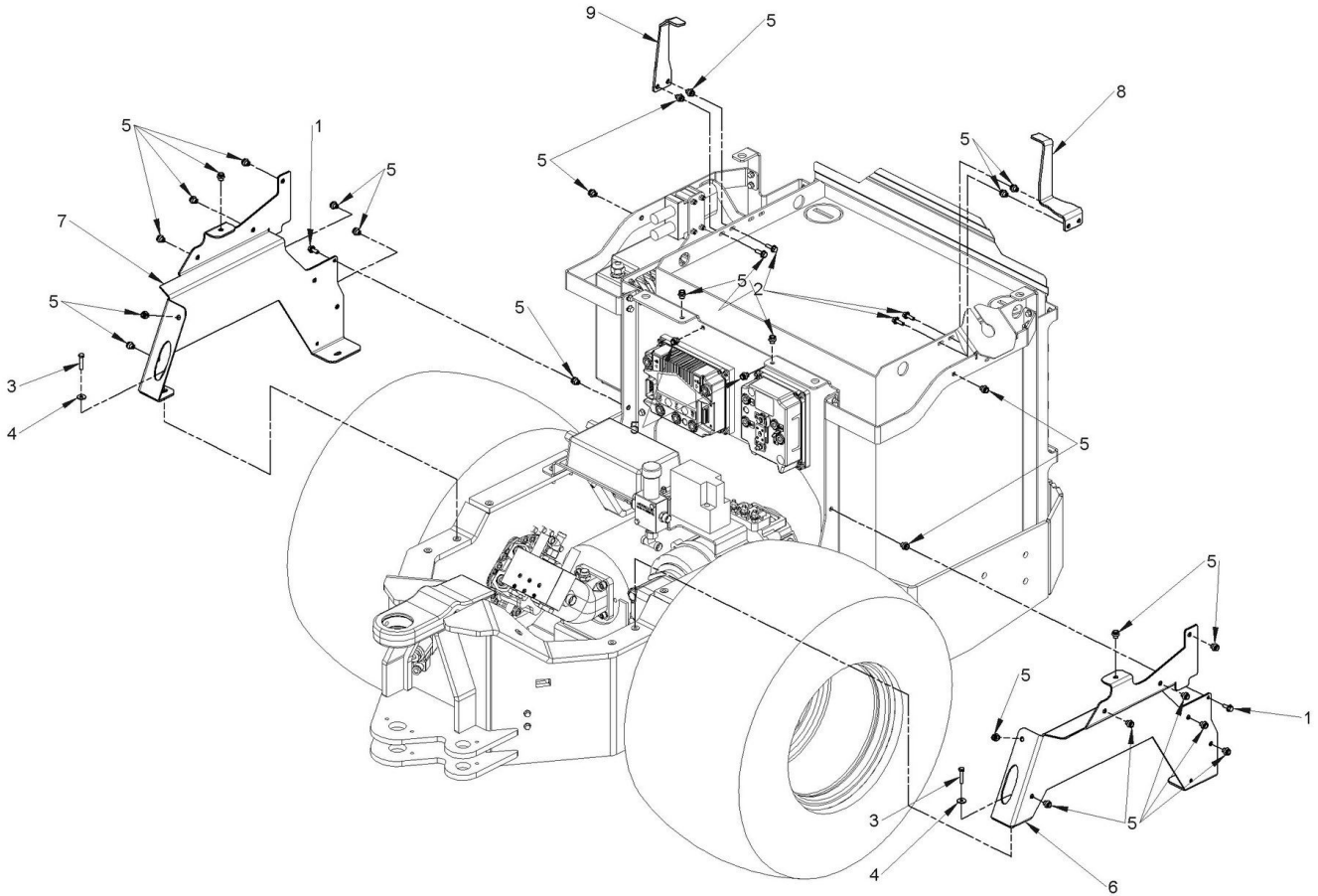
Component list [ TAV. 25 BOOM PIPES CONNECTION ]

Pos.	Code	Description	Q.ty
------	------	-------------	------



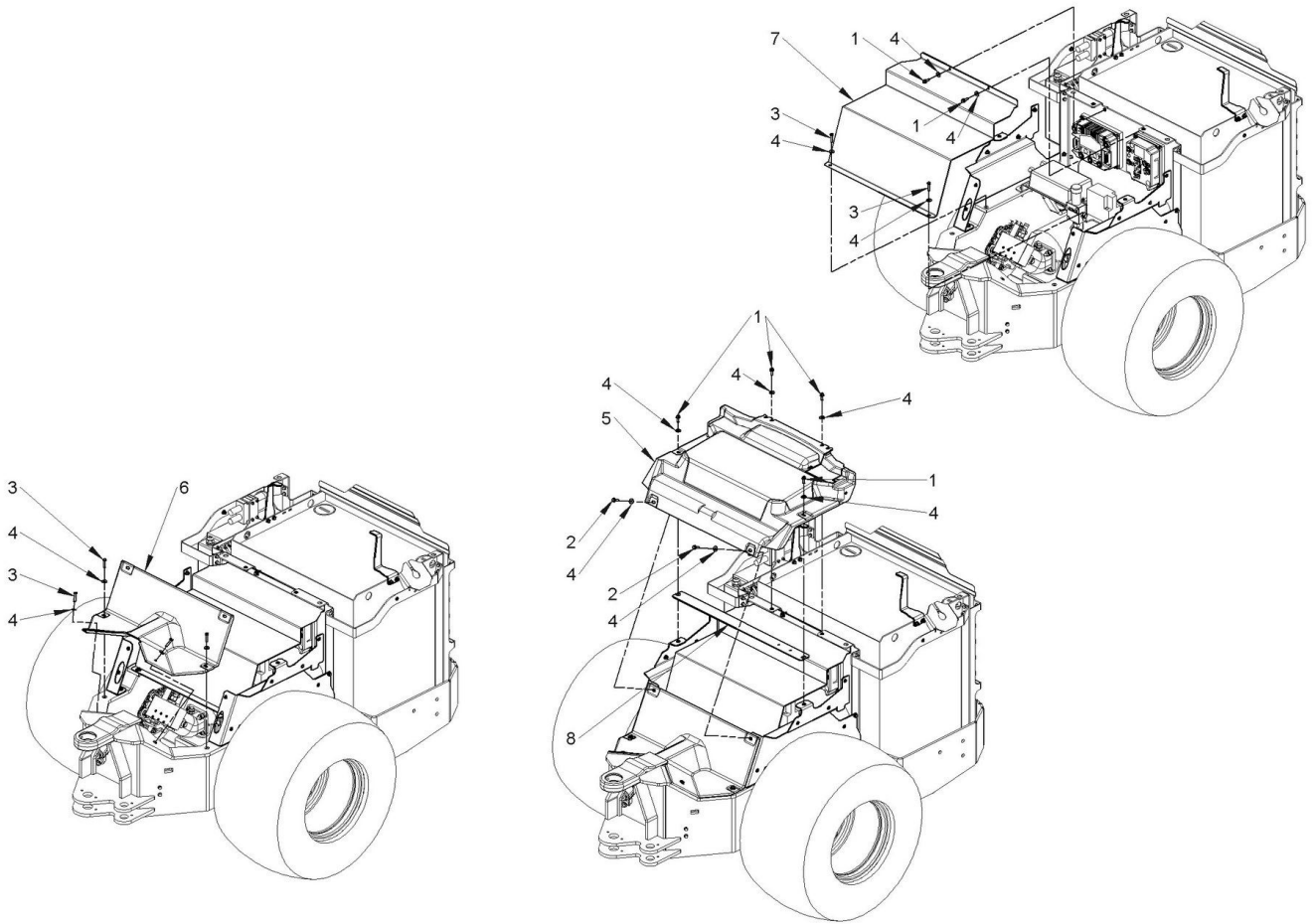
Component list [ TAV. 26 JOYSTICK AND HORN ]

Pos.	Code	Description	Q.ty
1	C019202	HEXAGON FLANGE BOLT M8X20 DIN 6921	1.00000
2	C020230	SCREW TCCEI M8X16	2.00000
3	C021013	HEXAGON NUT M10 UNI 5589	2.00000
4	C021502	SLOTTED AND CASTLE HEXAGON NUTS M8 DIN980	1.00000
5	C028050	RUBBER JOYSTICK PROTECTION 72X11X83	1.00000
6	C030866	THROTTLE HANDLE WITH SCALE	1.00000
7	C035002	RUBBER PROFILE 10X14	1.00000
8	C036651	PRESSURE SWITCH 1/8" GAS	1.00000
9	C038166	HORN DEVICE	1.00000
10	C271683	JOYSTICK HANDLE FOR M AND S620	1.00000
11	C281605	HOSE JUMPER	1.00000
12	C282288	{{>desc}}	1.00000



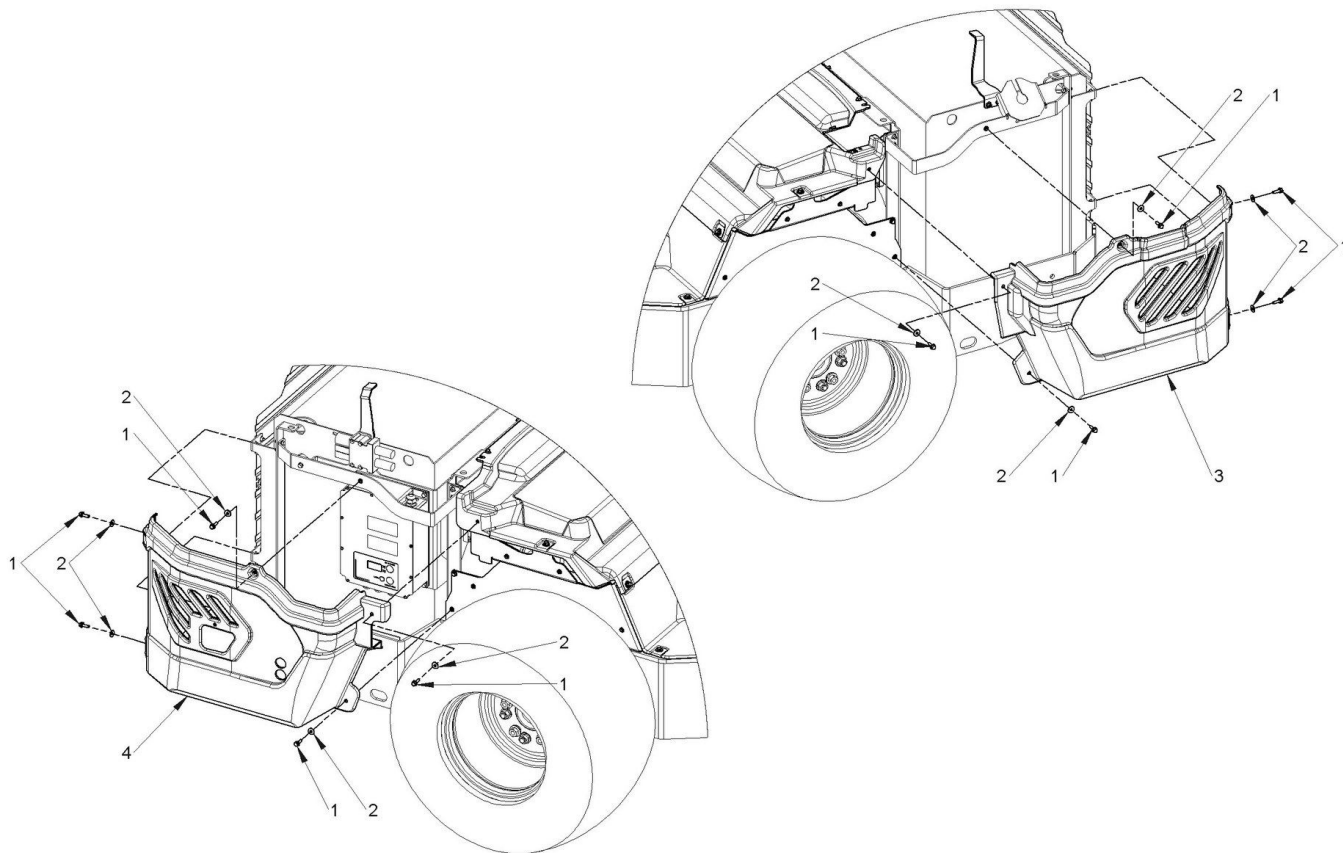
Component list [ TAV. 27 REAR SUPPORT ]

Pos.	Code	Description	Q.ty
1	C019211	M6x16 BOLT UNI 1665	2.00000
2	C019212	M6x20 BOLT UNI 1665	4.00000
3	C020053	UNI 5739 M6x30 SCREW	2.00000
4	C023110	PLAIN WASHER LARGE SERIES M6 6.5X18X1.5 DIN9021	2.00000
5	C028271	THREAD INSERT M6	28.00000
6	C281875	LEFT MUDGUARD SUPPORT	1.00000
7	C281876	RIGHT MUDGUARD COVER SUPPORT	1.00000
8	C285224	{{>desc}}	1.00000
9	C285225	{{>desc}}	1.00000



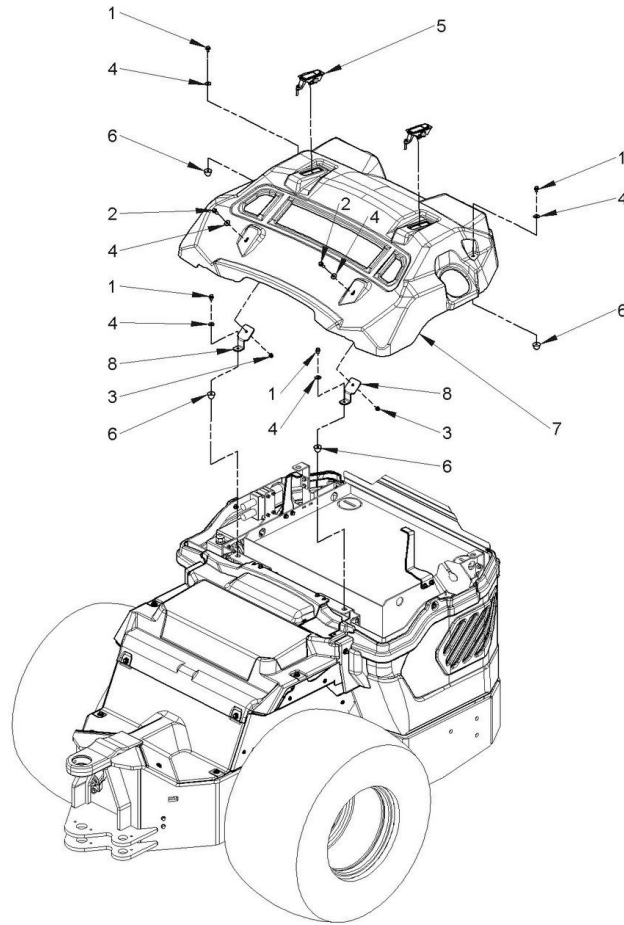
Component list [ TAV. 28 OVER PUMPS COVER ]

Pos.	Code	Description	Q.ty
1	C019212	M6x20 BOLT UNI 1665	6.00000
2	C019213	M6x25 BOLT UNI 1665	2.00000
3	C020053	UNI 5739 M6x30 SCREW	6.00000
4	C023110	PLAIN WASHER LARGE SERIES M6 6.5X18X1.5 DIN9021	14.00000
5	C041419	OVER PUMPS COVER	1.00000
6	C041420	OVER ARTICULATION COVER	1.00000
7	C041629	PLEXIGLAS ELECTRIC ELEMENTS PROTECTION	1.00000
8	C285214	{{>desc}}	1.00000



Component list [ TAV. 29 REAR SIDE COVER ]

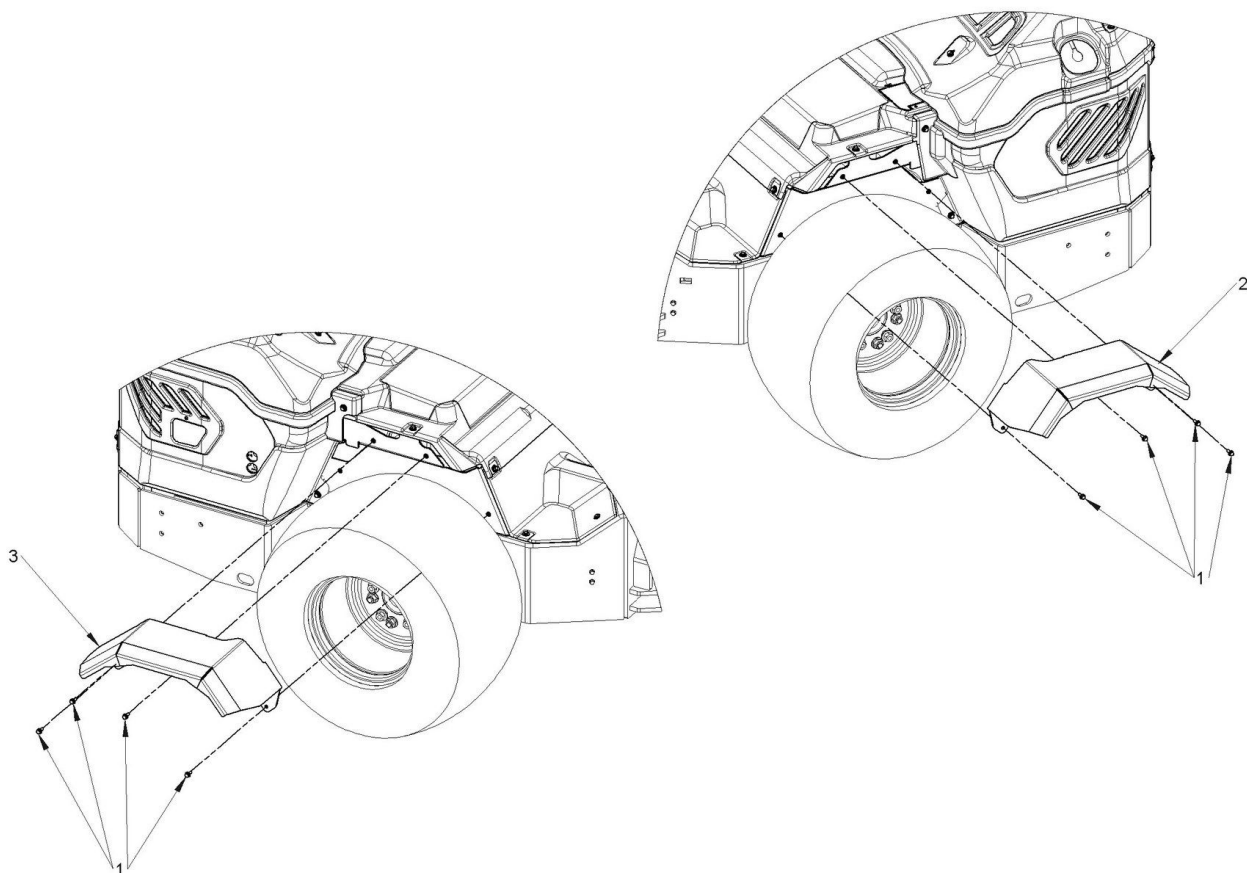
Pos.	Code	Description	Q.ty
1	C019212	M6x20 BOLT UNI 1665	10.00000
2	C023110	PLAIN WASHER LARGE SERIES M6 6.5X18X1.5 DIN9021	10.00000
3	C041421	REAR LEFT SIDE COVER	1.00000
4	C041626	REAR RIGHT SIDE HOOD M1 EZ 7	1.00000



Component list [ TAV. 30 OVER BATTERY COVER ]

Pos.	Code	Description	Q.ty
1	C019210	M6x10 BOLTS UNI 1665	4.00000
2	C019212	M6x20 BOLT UNI 1665	2.00000
3	C021104	PREVAILING TORQUE-TYPE HEXAGONAL NUTS WITH POLYAMIDE RING M6 UNI 7473	2.00000
4	C023110	PLAIN WASHER LARGE SERIES M6 6.5X18X1.5 DIN9021	6.00000
5	C035045	LOCK HANDLE	2.00000
6	C035142	PARABOLIC SILENT BLOCK Ĩ24 H=16	4.00000
7	C041622	M1 EZ 7 OVER BATTERY HOOD	1.00000
8	C285070	{{>desc}}	2.00000

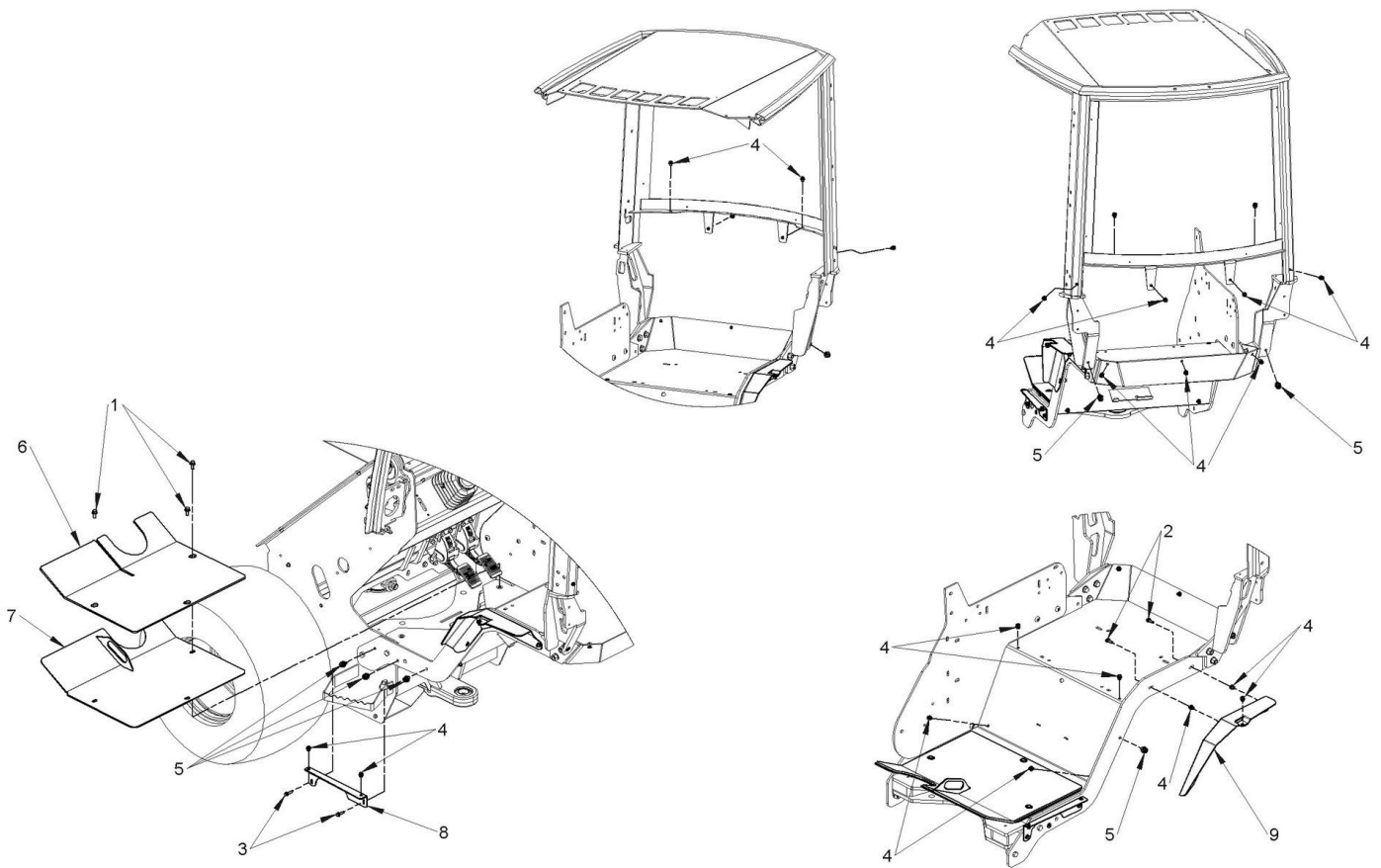




Component list [ TAV. 31 REAR MUDGUARD ]

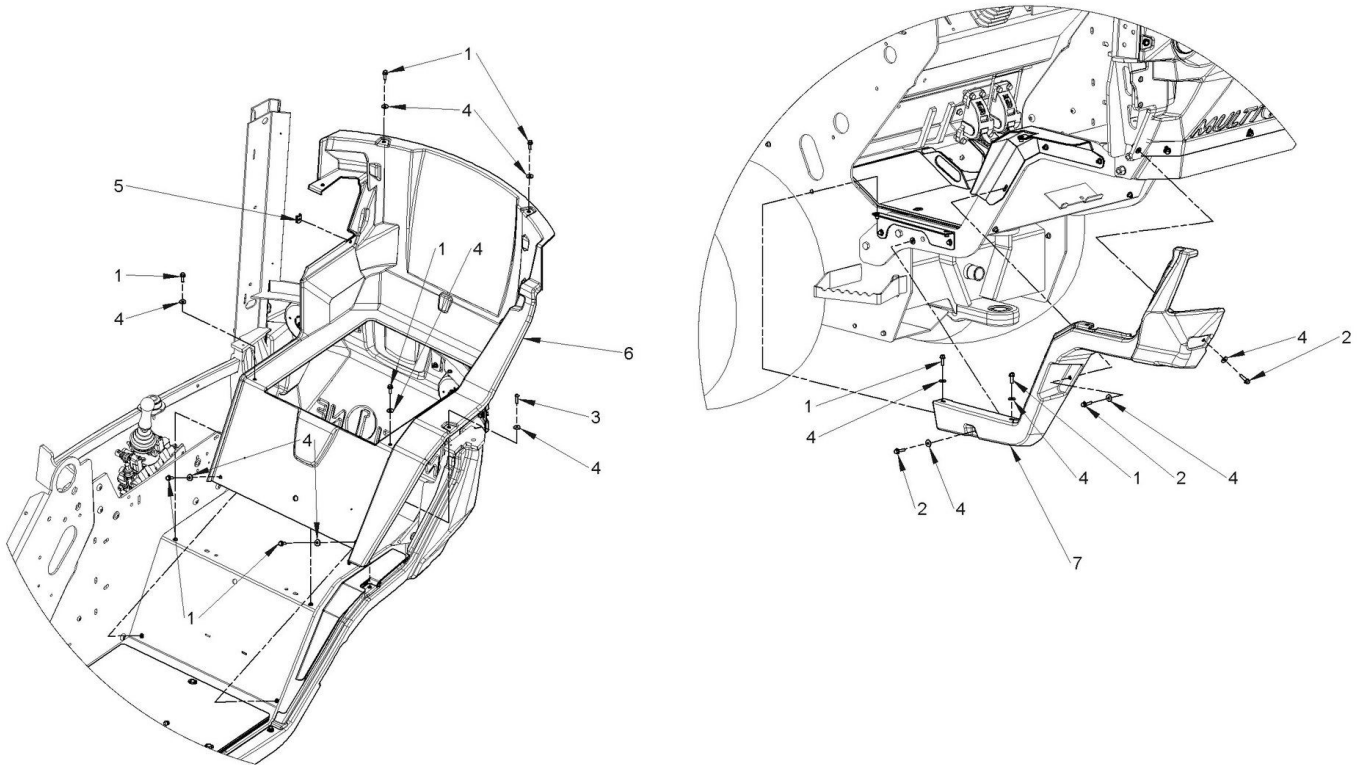
Pos.	Code	Description	Q.ty
1	C019211	M6x16 BOLT UNI 1665	8.00000
2	C285020	REAR LEFT MUD GUARD M1 6-7-8	1.00000
3	C285021	REAR RIGHT MUD GUARD M1 6-7-8	1.00000





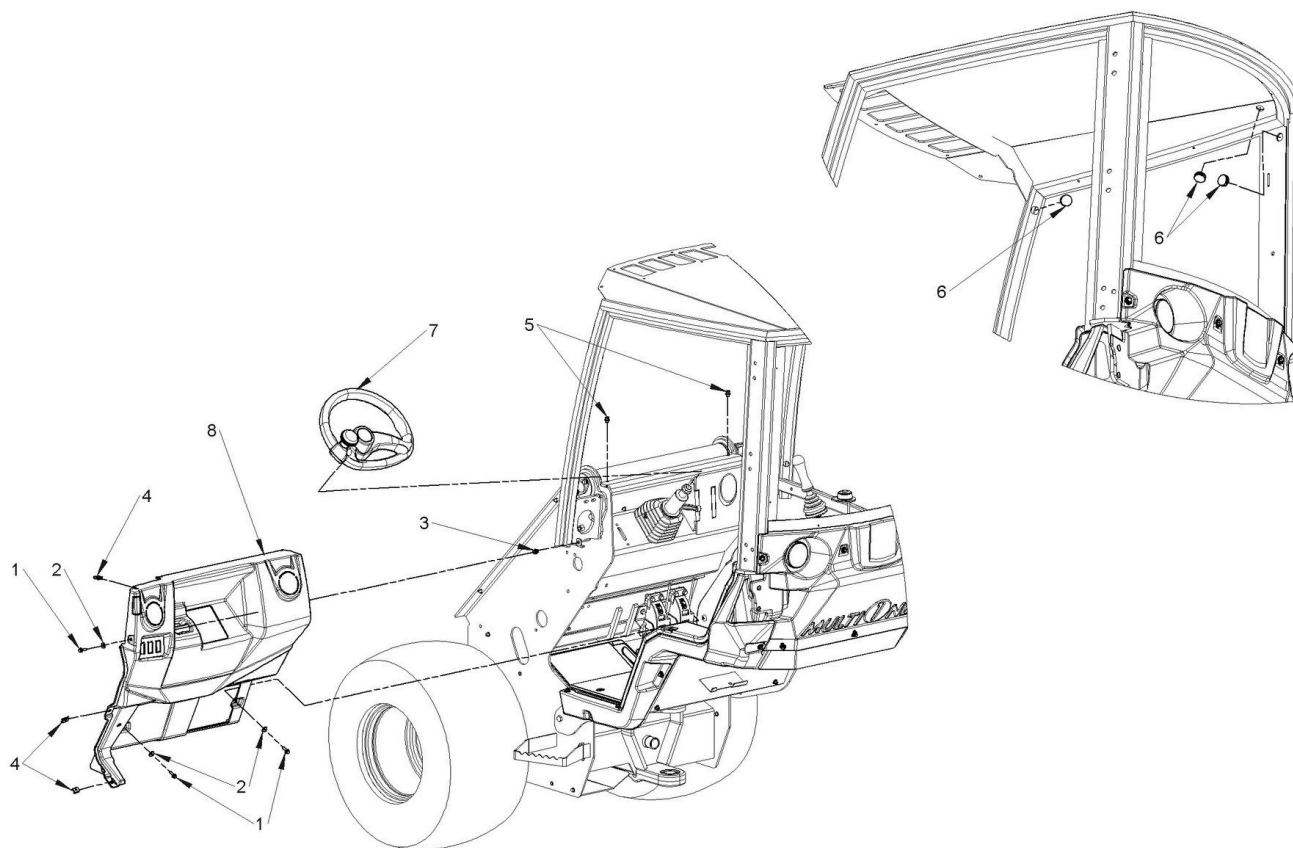
Component list [ TAV. 32 FOOTREST PLATE ]

Pos.	Code	Description	Q.ty
1	C019202	HEXAGON FLANGE BOLT M8X20 DIN 6921	3.00000
2	C019212	M6x20 BOLT UNI 1665	2.00000
3	C019213	M6x25 BOLT UNI 1665	2.00000
4	C028271	THREAD INSERT M6	18.00000
5	C028288	THREAD INSERT M6	6.00000
6	C029259	ROOF PADS FOR MULTIONE M1	1.00000
7	C281747	UNDER FEET PLATFORM	1.00000
8	C281894	SUPPORT FOR PLASTIC STEP FRAME M1 3->10	1.00000
9	C281895	UNDER SEAT COVER SUPPORT REV.01	1.00000



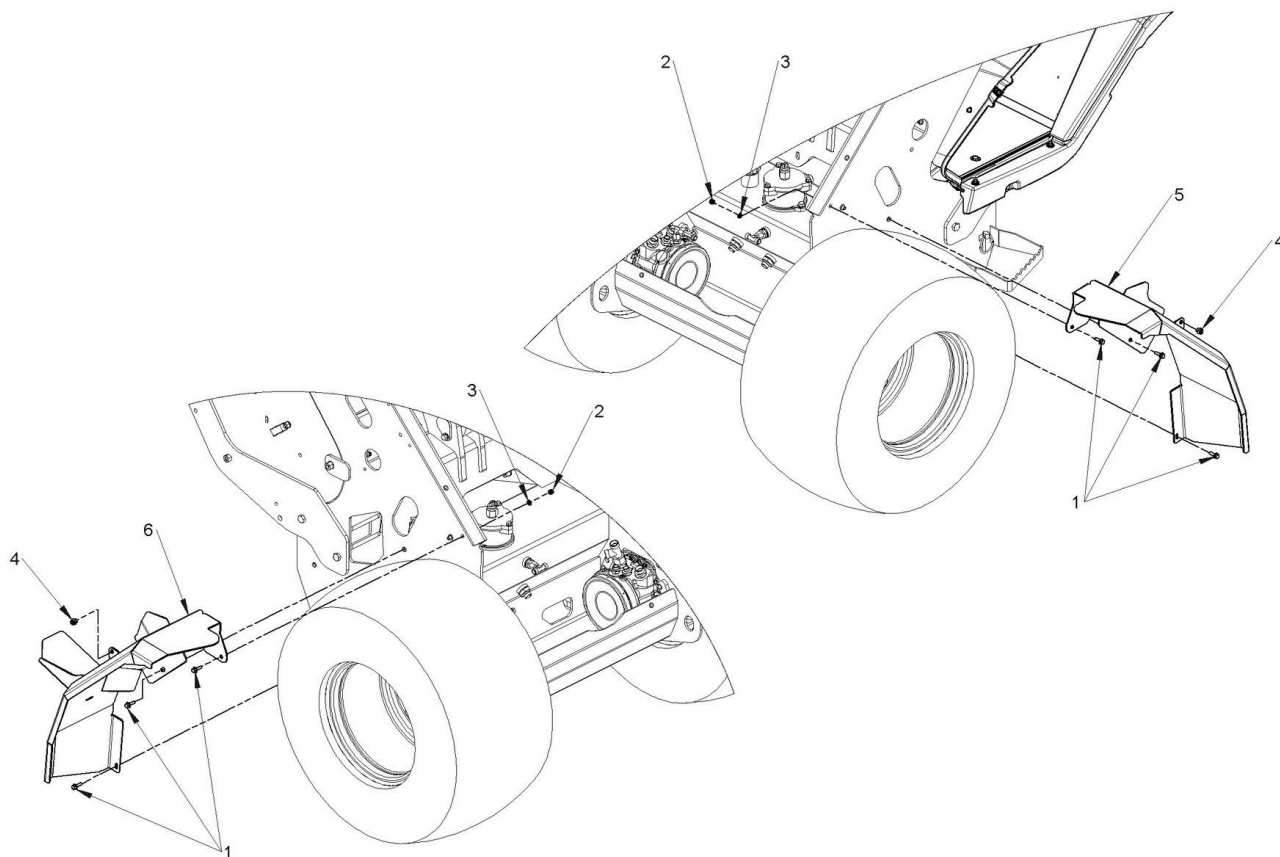
Component list [ TAV. 34 UNDER SEAT COVER ]

Pos.	Code	Description	Q.ty
1	C019212	M6x20 BOLT UNI 1665	8.00000
2	C019213	M6x25 BOLT UNI 1665	3.00000
3	C020546	HEXAGON SOCKET OVAL HEAD SCREW M6x25 ISO 7380	1.00000
4	C023110	PLAIN WASHER LARGE SERIES M6 6.5X18X1.5 DIN9021	12.00000
5	C028285	MULTITHREAD U-TYPE NUT M6	1.00000
6	C041437	UNDER SEAT COVER	1.00000
7	C041443	LEFT DOOR SLAM	1.00000



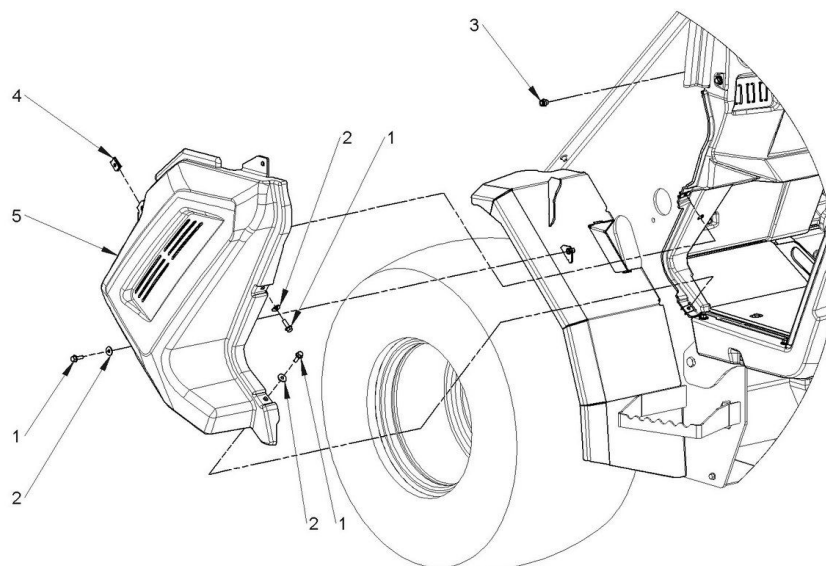
Component list [ TAV. 35 FRONT DASHBOARD ]

Pos.	Code	Description	Q.ty
1	C019212	M6x20 BOLT UNI 1665	3.00000
2	C023110	PLAIN WASHER LARGE SERIES M6 6.5X18X1.5 DIN9021	3.00000
3	C028271	THREAD INSERT M6	1.00000
4	C028285	MULTITHREAD U-TYPE NUT M6	3.00000
5	C028291	THREAD INSERT M6	2.00000
6	C036039	CLOSED FAIRLEAD ĩ19	3.00000
7	C036465	STEERING WHEEL BLUE	1.00000
8	C041630	M1 EZ 7 FRONT DASHBOARD COVER	1.00000



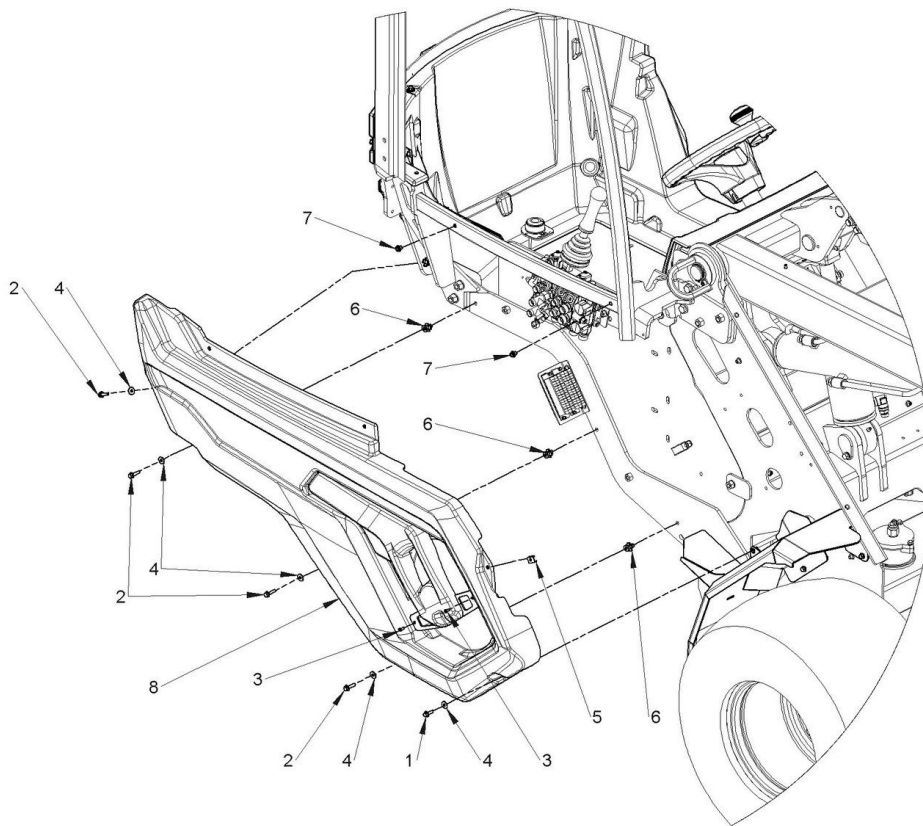
Component list [ TAV. 36 FROT MUDGUARD ]

Pos.	Code	Description	Q.ty
1	C019212	M6x20 BOLT UNI 1665	6.00000
2	C021104	PREVAILING TORQUE-TYPE HEXAGONAL NUTS WITH POLYAMIDE RING M6 UNI 7473	2.00000
3	C023090	FLAT WASHER M6 6.4x12x1.6 UNI 6592	2.00000
4	C028271	THREAD INSERT M6	2.00000
5	C285018	FRONT LEFT MUD GUARD M1 6-7-8	1.00000
6	C285019	FRONT RIGHT MUD GUARD M1 6-7-8	1.00000



Component list [ TAV. 37 FRONT LEFT SIDE COVER ]

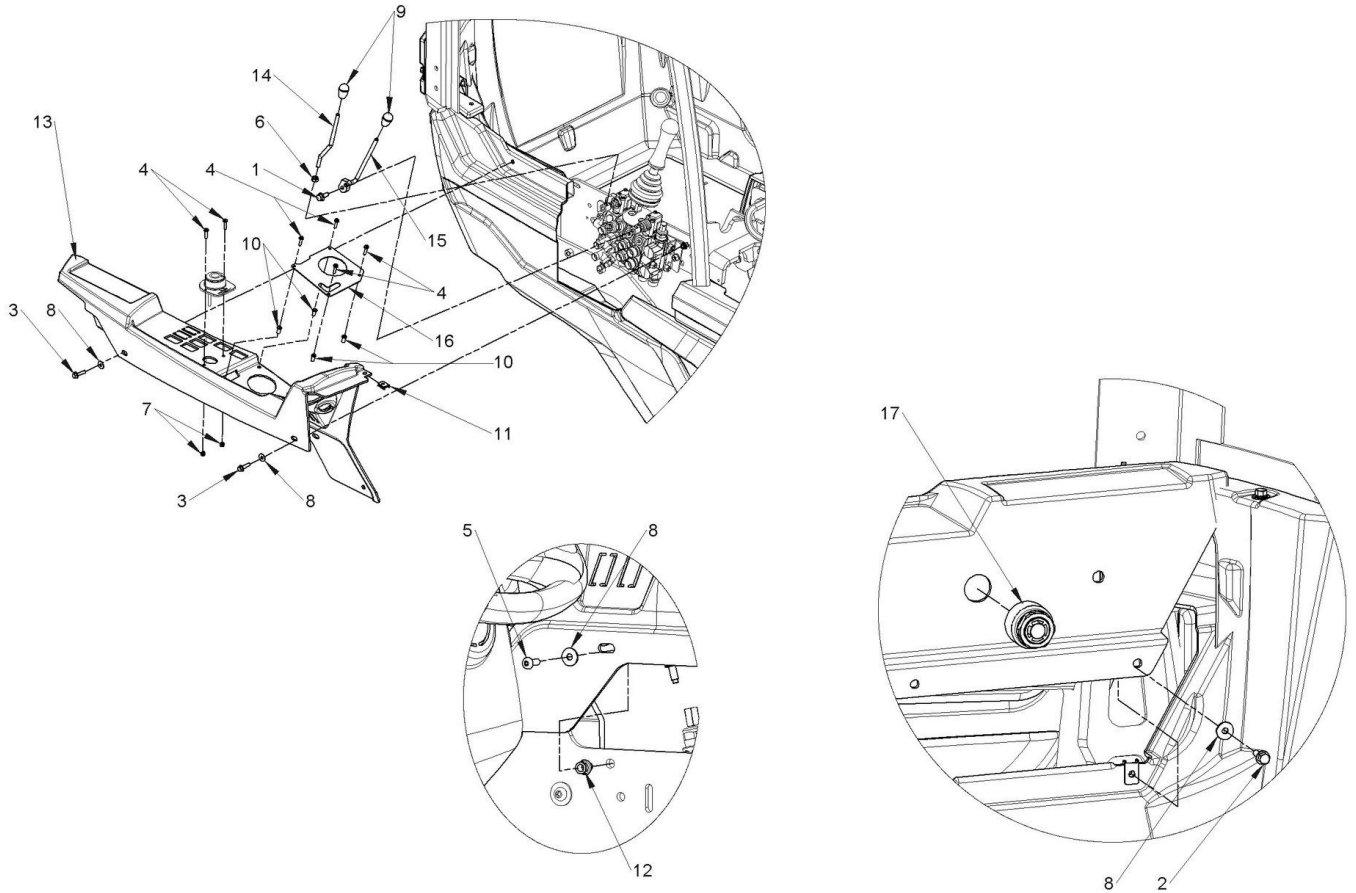
Pos.	Code	Description	Q.ty
1	C019212	M6x20 BOLT UNI 1665	3.00000
2	C023110	PLAIN WASHER LARGE SERIES M6 6.5X18X1.5 DIN9021	3.00000
3	C028271	THREAD INSERT M6	1.00000
4	C028285	MULTITHREAD U-TYPE NUT M6	1.00000
5	C041431	FRONT LEFT SIDE COVER	1.00000



Component list [ TAV. 38 FRONT RIGHT SIDE COVER ]

Pos.	Code	Description	Q.ty
1	C019212	M6x20 BOLT UNI 1665	1.00000
2	C019213	M6x25 BOLT UNI 1665	4.00000
3	C020282	SCREW TCTC M4X12 ZN UNI 7687	2.00000
4	C023110	PLAIN WASHER LARGE SERIES M6 6.5X18X1.5 DIN9021	5.00000
5	C028285	MULTITHREAD U-TYPE NUT M6	1.00000
6	C028288	THREAD INSERT M6	3.00000
7	C028294	THREAD INSERT M6	2.00000
8	C041624	{{>desc}}	1.00000





Component list [ TAV. 39 RIGHT SIDE DASHBOARD ]

Pos.	Code	Description	Q.ty
1	C019202	HEXAGON FLANGE BOLT M8X20 DIN 6921	1.00000
2	C019212	M6x20 BOLT UNI 1665	1.00000
3	C019213	M6x25 BOLT UNI 1665	2.00000
4	C020287	RECESSED RAISED CHEESE HEAD SCREW M5x20 UNI 7687 DIN 7985	6.00000
5	C020548	HEXAGON SOCKET OVAL HEAD SCREW M6x20 ZN UNI/ISO 7380	1.00000
6	C021010	NUT E 6S M8 UNI 5588	1.00000
7	C021102	PREVAILING TORQUE - TYPE HEXAGON NUT WITH POLYAMIDE RING M5 DIN 982	2.00000
8	C023110	PLAIN WASHER LARGE SERIES M6 6.5X18X1.5 DIN9021	4.00000
9	C028025	CONICAL BALL KNOBS WITH M6 NUT	2.00000
10	C028272	THREAD INSERT M5	4.00000
11	C028285	MULTITHREAD U-TYPE NUT M6	1.00000
12	C028291	THREAD INSERT M6	1.00000
13	C041625	M1 EZ 7 RIGTH SIDE CONSOLLE	1.00000
14	C281657	{{>desc}}	1.00000
15	C282247	HYDRAULICH OUTLET COMMAND LEVER	1.00000
16	C282274	JOYSTICK BASEMENT TAG	1.00000





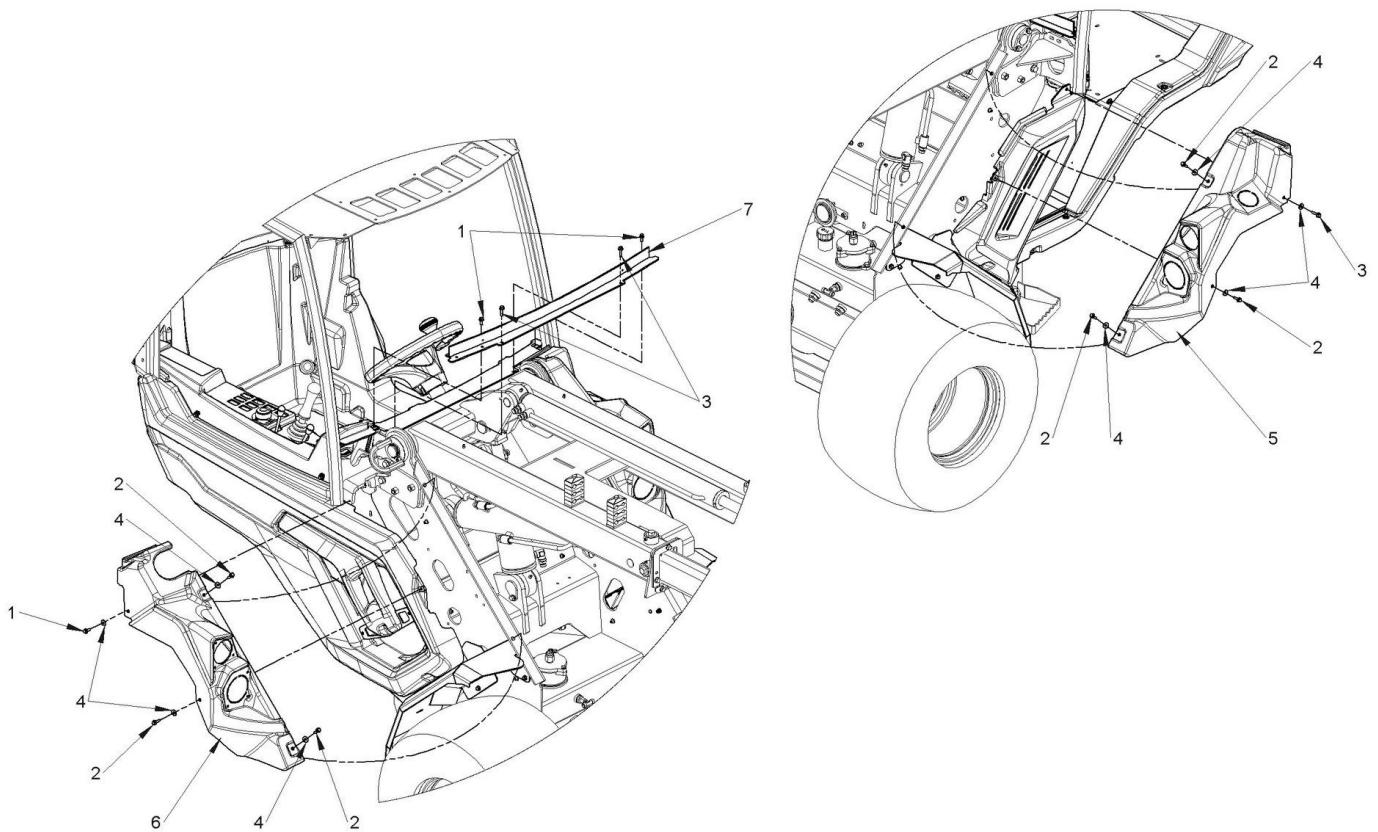
**Draft and part list report**  
**Serial n / code M351159 / C962020**  
**Description MULTIONE EZ 7**

17 FF180/0034.0161

ANTI-TIP BUZZER

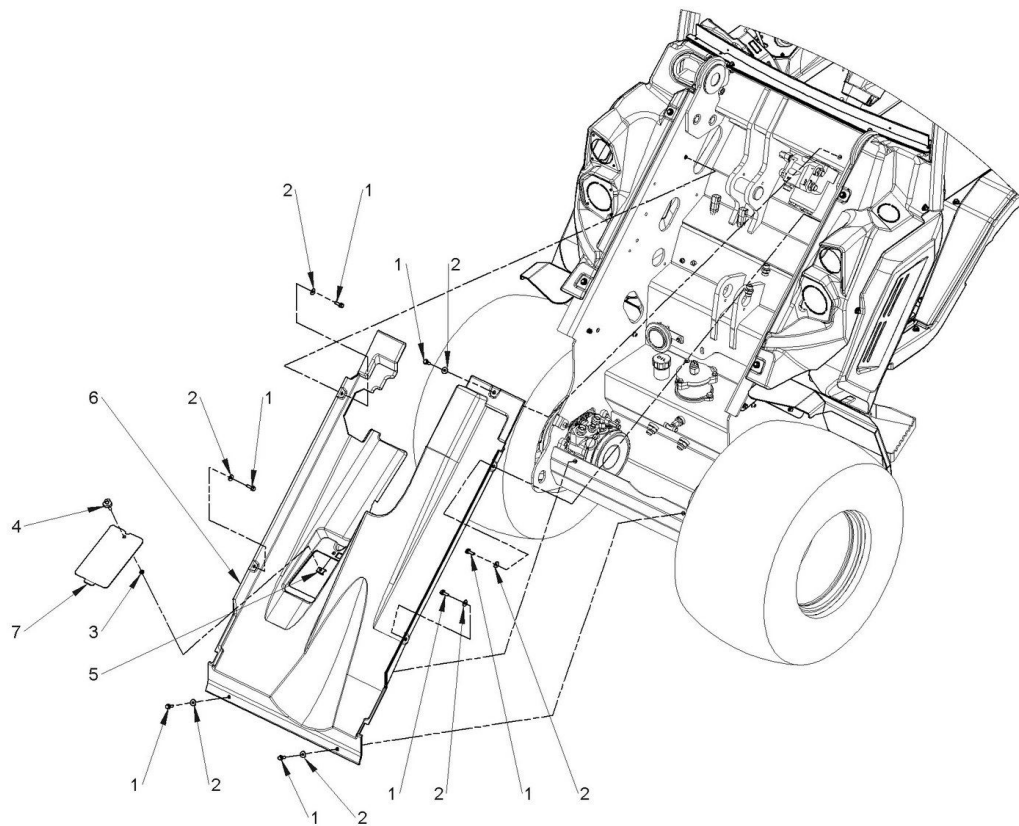
1.00000

---



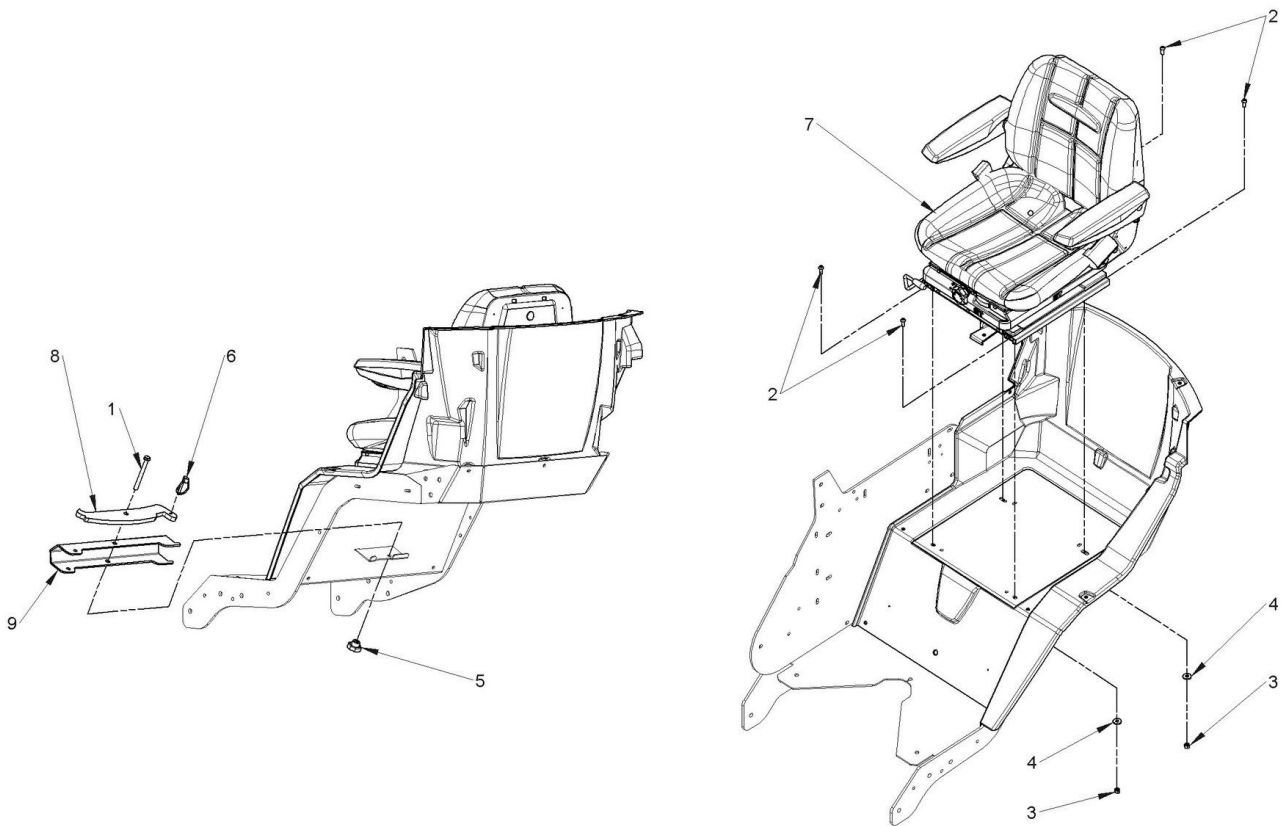
Component list [ TAV. 40 FRONT LIGHT HOLDER COVER ]

Pos.	Code	Description	Q.ty
1	C019211	M6x16 BOLT UNI 1665	3.00000
2	C019212	M6x20 BOLT UNI 1665	6.00000
3	C019213	M6x25 BOLT UNI 1665	3.00000
4	C023110	PLAIN WASHER LARGE SERIES M6 6.5X18X1.5 DIN9021	8.00000
5	C041429	FRONT LEFT LIGHT SUPPORT	1.00000
6	C041430	FRONT RIGHT LIGHT SUPPORT	1.00000
7	C282239	FRONT GLASS SUPPORT	1.00000



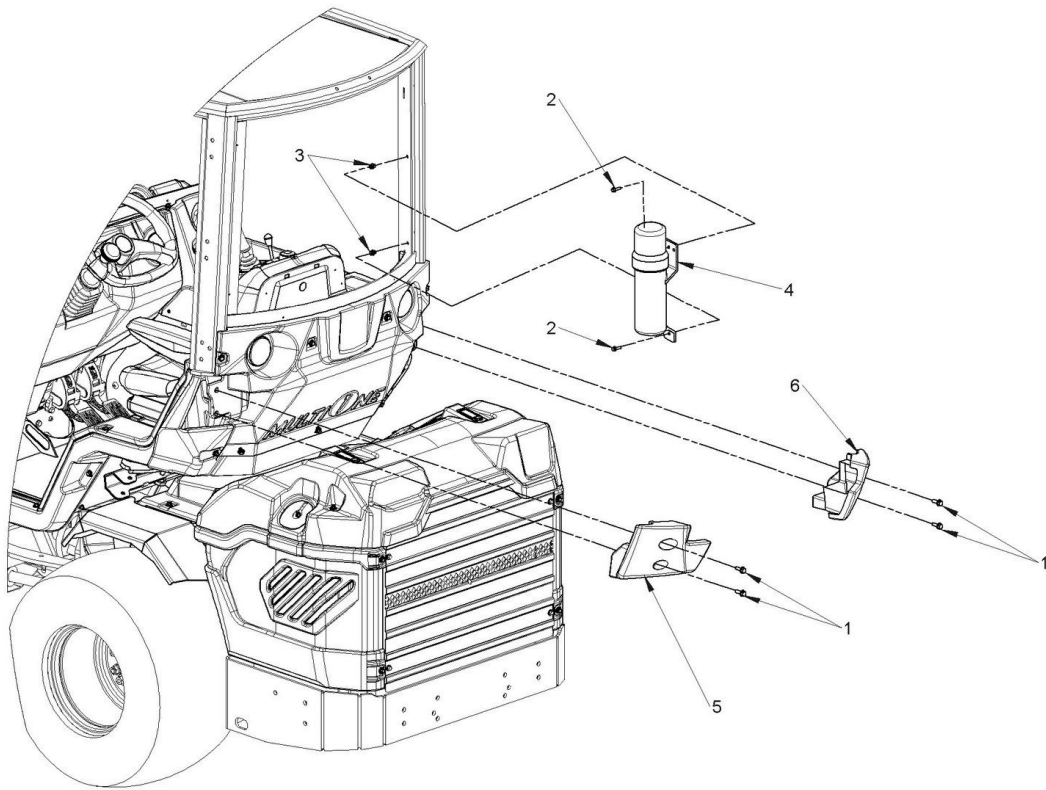
Component list [ TAV. 41 UNDER BOOM COVER ]

Pos.	Code	Description	Q.ty
1	C019212	M6x20 BOLT UNI 1665	7.00000
2	C023110	PLAIN WASHER LARGE SERIES M6 6.5X18X1.5 DIN9021	7.00000
3	C023601	SPRING WASHER FOR SHAFT 5 MM	1.00000
4	C028024	THREE-LOBED LOWERED HANDWHEEL WITH M6x20 THREADED PIN	1.00000
5	C028285	MULTITHREAD U-TYPE NUT M6	1.00000
6	C041428	UNDER BOOM COVER	1.00000
7	C281893	OIL TANK INSPECTION DOOR	1.00000



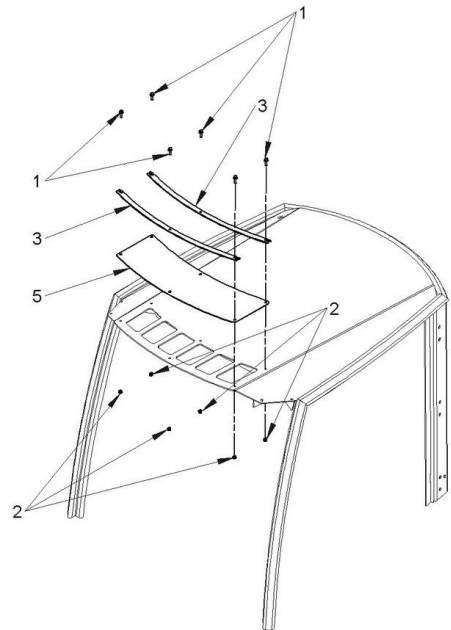
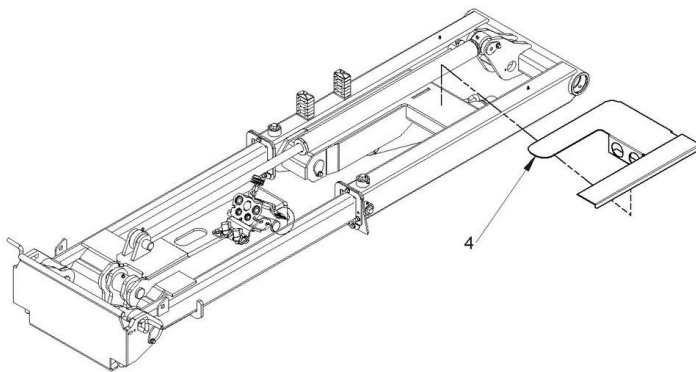
Component list [ TAV. 42 SEAT ]

Pos.	Code	Description	Q.ty
1	C020113	VITE TE 8.8 M10X100 ZB UNI 5737 FILETTO PARZIALE	1.00000
2	C020541	HEXAGON SOCKET OVAL HEAD SCREW M8x20 ISO 7380	4.00000
3	C021502	SLOTTED AND CASTLE HEXAGON NUTS M8 DIN980	4.00000
4	C023100	PLAIN WASHER LARGE SERIES M8 DIN 9021	4.00000
5	C028015	FEMALE WHEEL KNOB M10	1.00000
6	C028201	SPRING PIN 6 MM	1.00000
7	C036751	FULL SUSPENSION SEAT FOR MULTIONE 2009 BLUE	1.00000
8	C281782	ARTICULATION LOCK	1.00000
9	C281790	BOOM SAFETY LATCH	1.00000



Component list [ TAV. 43 REAR BUNPERS ]

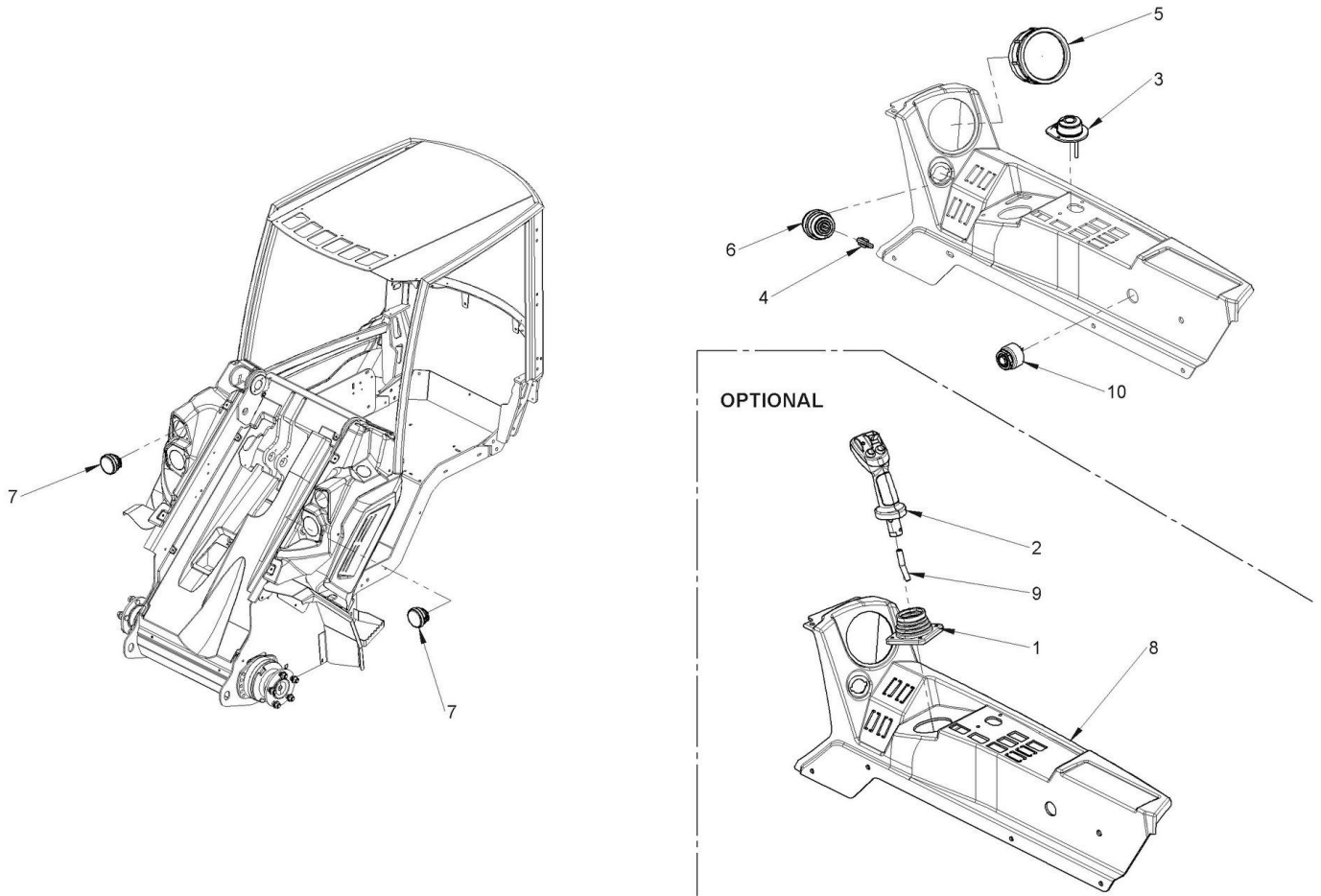
Pos.	Code	Description	Q.ty
1	C019203	HEXAGON FLANGE BOLT M8X25 ISO 1665	4.00000
2	C019212	M6x20 BOLT UNI 1665	2.00000
3	C028271	THREAD INSERT M6	2.00000
4	C030810	MANUAL HOLDER	1.00000
5	C041386	LEFT RUBBER PROTECTION MK-MZ	1.00000
6	C041387	RIGHT RUBBER PROTECTION MK-MZ	1.00000



Component list [ TAV. 44 TRANSPARENT COVER ]

Pos.	Code	Description	Q.ty
1	C019212	M6x20 BOLT UNI 1665	6.00000
2	C021104	PREVAILING TORQUE-TYPE HEXAGONAL NUTS WITH POLYAMIDE RING M6 UNI 7473	6.00000
3	C282352	ROOF PLEXIGLASS FIXING PLATE	2.00000
4	C282370	ANTI-WEAR PROTECTION FOR TUBES	1.00000
5	C283051	ROOF PLEXIGLASS	1.00000

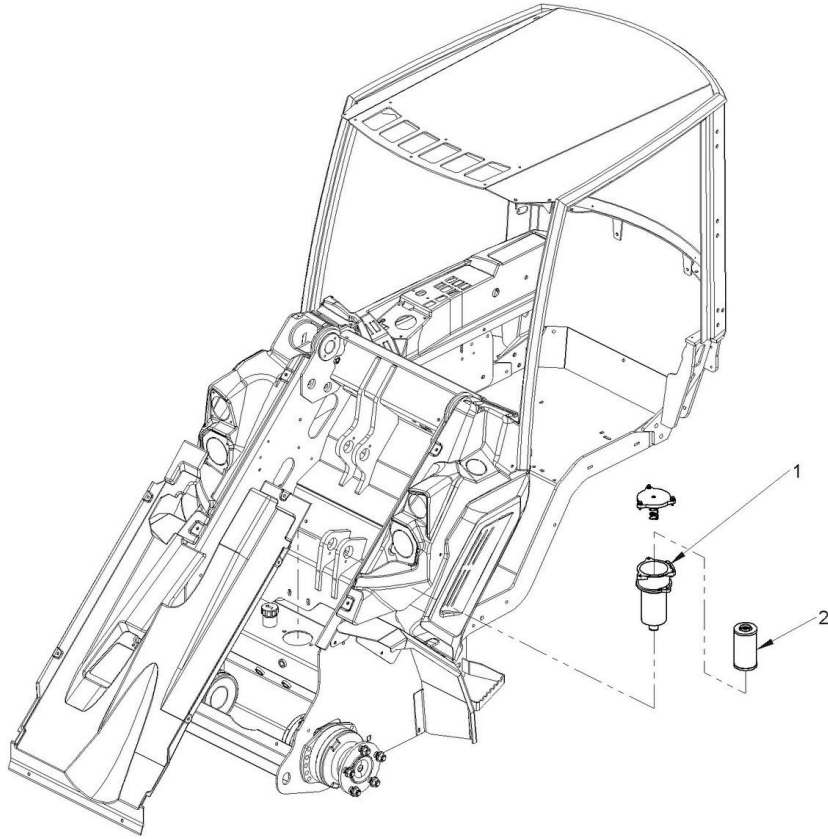




Component list [ TAV. 45 LIGHTS AND DASHBOARD ]

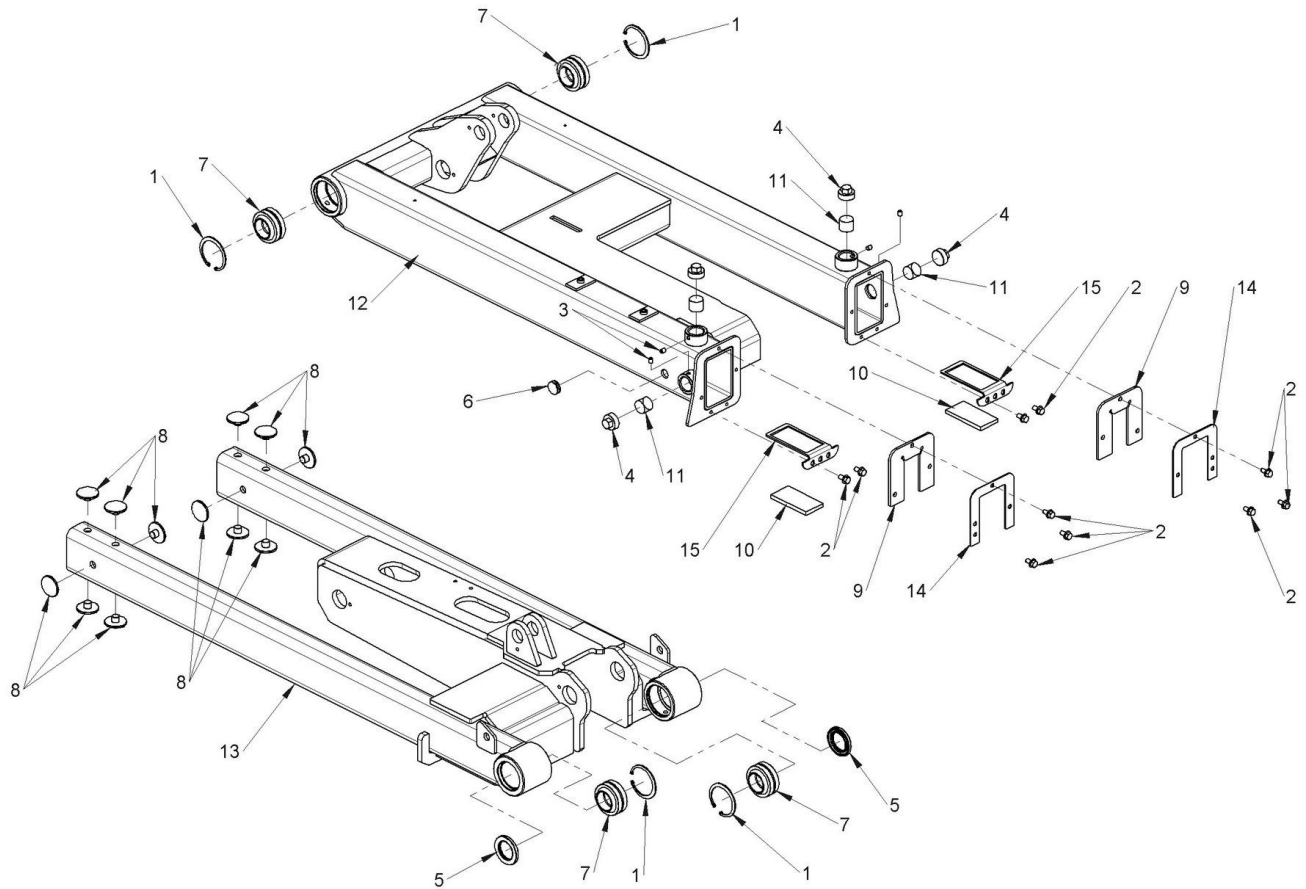
Pos.	Code	Description	Q.ty
1	C028056	JOYSTICK RUBBER PROTECTION	1.00000
2	C030653	MULTIFUNCTION JOYSTICK	1.00000
3	C030866	THROTTLE HANDLE WITH SCALE	1.00000
4	C036174	IGNITION KEY	1.00000
5	C038154	Ø100 LCD DECK	1.00000
6	C038155	IGNITION SWITCH	1.00000
7	C038168	Ø85 ROUND WORK LIGHT	2.00000
8	C041442	M1 8.5-9.6-10 RIGHT SIDE DASHBOARD	1.00000
9	C272094	M10 JOISTICK PIN	1.00000
10	FF180/0034.0161	ANTI-TIP BUZZER	1.00000





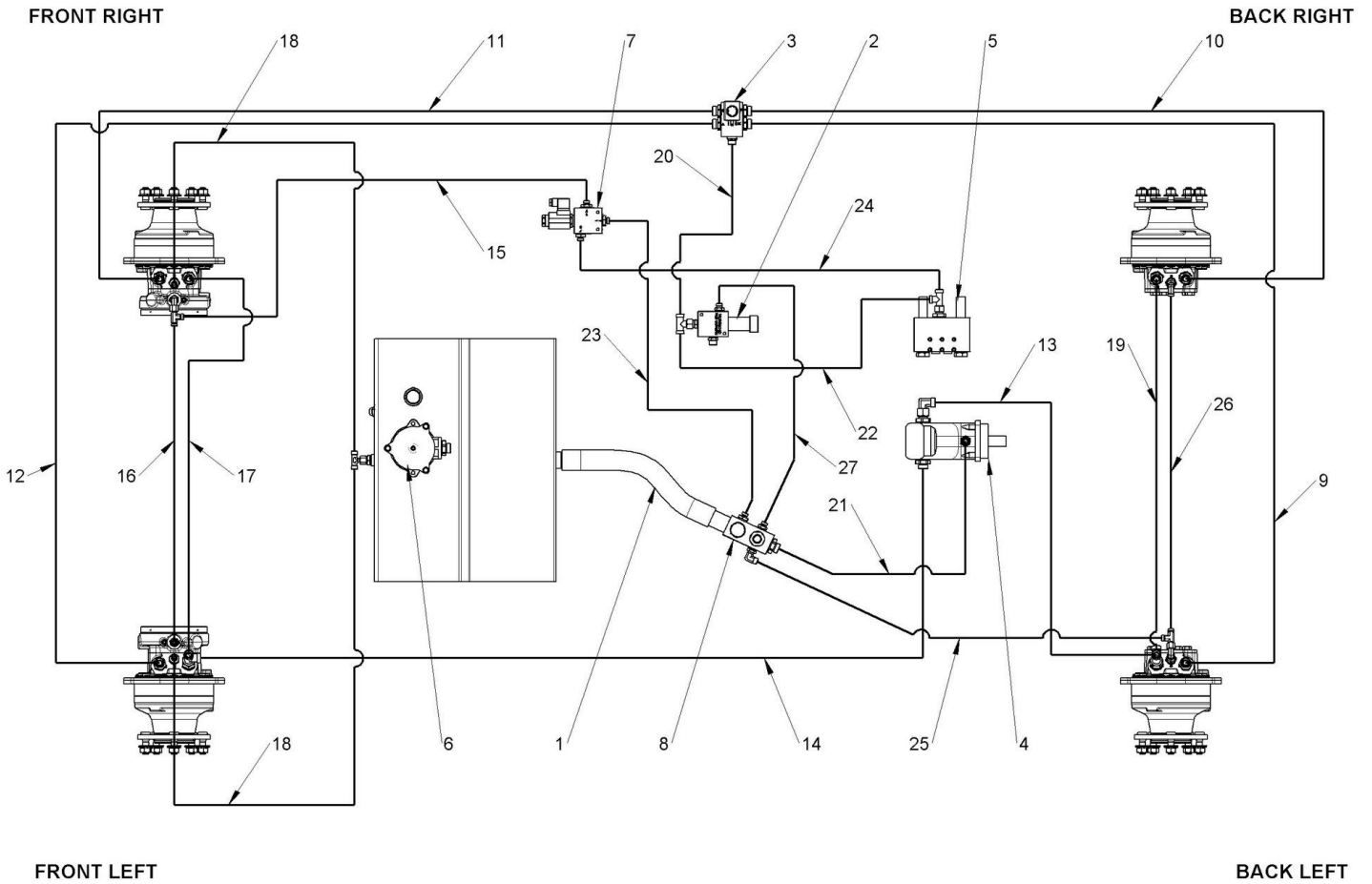
Component list [ TAV. 46 FILTERS ]

Pos.	Code	Description	Q.ty
1	C036600	RETURN FILTER ASSY FOR S/SL SERIES	1.00000
2	C036601	RETURN FILTER 10 micron CARTRIDGE FOR M/S/SL/F SERIES	1.00000



Component list [ TAV. 47 BOOM COMPONENTS ]

Pos.	Code	Description	Q.ty
1	C018302	BORES SEEGER RING İ68 DIN 472	4.00000
2	C019201	HEXAGON FLANGE BOLT M8x16 DIN 6921	10.00000
3	C020571	HEXAGON SOCKET SET SCREW WHIT FLAT POINT M8x10 UNI 5923	4.00000
4	C021413	SETTING HEAD 1"G	4.00000
5	C035077	NBR SHAFT SEAL İ40x62x7	2.00000
6	C036039	CLOSED FAIRLEAD İ19	1.00000
7	C037639	RADIAL SPHERICAL PLAIN BEARINGS GE 40 FO 2RS	4.00000
8	C281633/L	ROUND SLIDE PAD FOR TELESCOPIC ARM M1 5->10	12.00000
9	C281721	TELESCOPIC ARM RUBBER PROTECTION	2.00000
10	C281734	{{>desc}}	2.00000
11	C281859	SLIDING STUD M1 5->10 SERIES	4.00000
12	C282340	TELESCOPIC BOOM FIXED PART	1.00000
13	C282380	TELESCOPIC BOOM MOBILE PART	1.00000
14	C284487	BOOM RUBBER FIXER	2.00000
15	C284488	SLIDING PAD BOOM BRACKET	2.00000



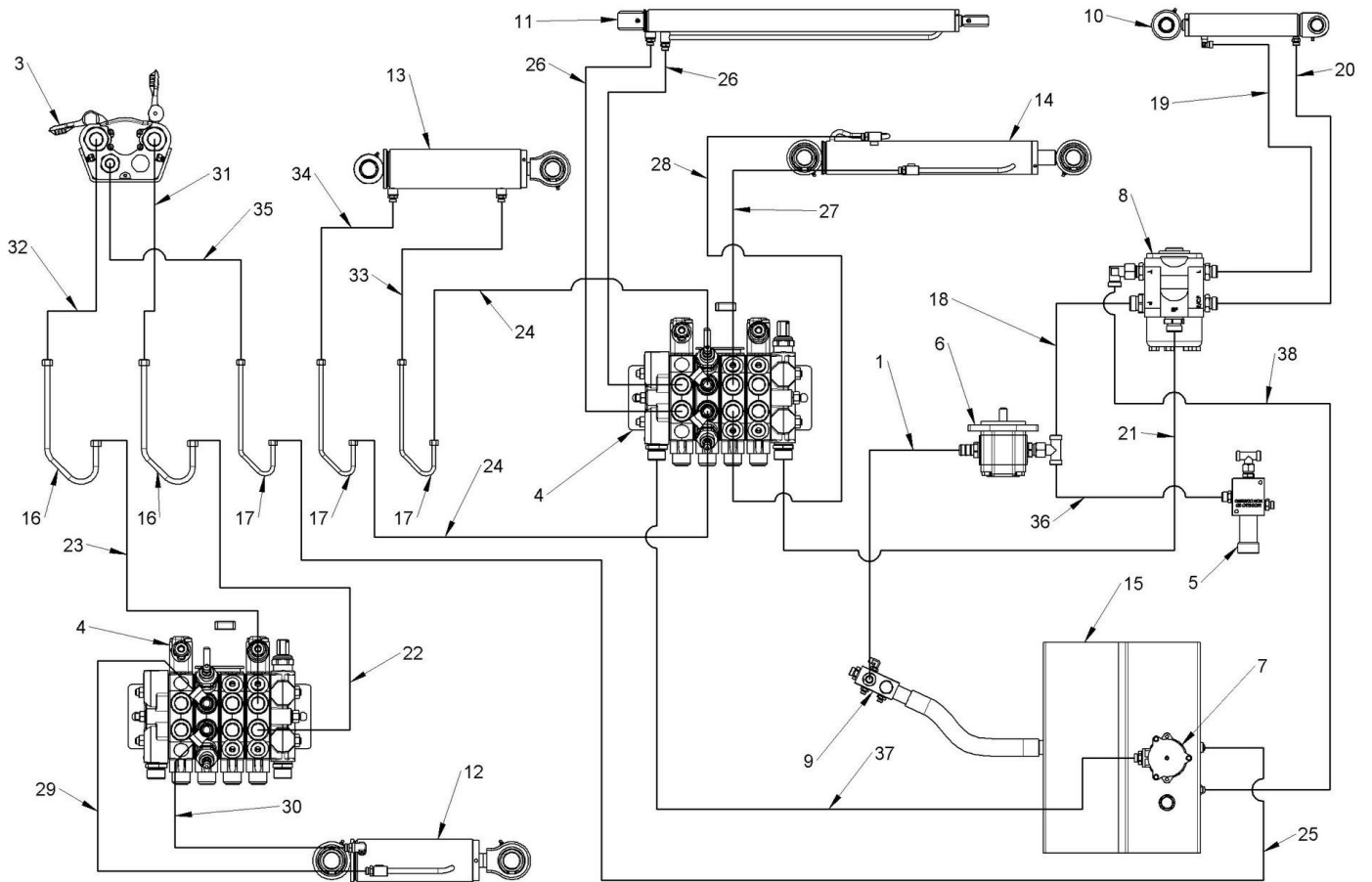
Component list [ TAV. 48 TRANSMISSION HYDRAULIC DIAGRAM ]

Pos.	Code	Description	Q.ty
1	C030120	SUCTION PIPE $\varnothing 38\text{-}\varnothing 47 \times 420$	1.00000
2	C030785	REDUCER VALVE FOR EZ	1.00000
3	C031052	DBS TRANSMISSION VALVE	1.00000
4	C032690	TRANSMISSION HYDR. MOTOR	1.00000
5	C032691	TRANSMISSION VALVE FOR EZ	1.00000
6	C036600	RETURN FILTER ASSY FOR S/SL SERIES	1.00000
7	C036621	ELECTROVALVE 3WAY G3/8 12V DC	1.00000
8	C274183/L	INTAKE OIL COLLECTOR	1.00000
9	C810485/01	{{>desc}}	1.00000
10	C810485/02	{{>desc}}	1.00000
11	C810485/03	{{>desc}}	1.00000
12	C810485/04	{{>desc}}	1.00000
13	C810485/05	{{>desc}}	1.00000
14	C810485/06	{{>desc}}	1.00000
15	C810485/10	{{>desc}}	1.00000
16	C810485/11	{{>desc}}	1.00000



**Draft and part list report**  
**Serial n / code M351159 / C962020**  
**Description MULTIONE EZ 7**

17	C810485/27	{{>desc}}	1.00000
18	C810485/29	{{>desc}}	2.00000
19	C810485/30	{{>desc}}	1.00000
20	C810485/31	{{>desc}}	1.00000
21	C810485/33	{{>desc}}	1.00000
22	C810485/34	{{>desc}}	1.00000
23	C810485/35	{{>desc}}	1.00000
24	C810485/36	{{>desc}}	1.00000
25	C810366/38	{{>desc}}	1.00000
26	C810366/39	{{>desc}}	1.00000
27	C810485/39	{{>desc}}	1.00000



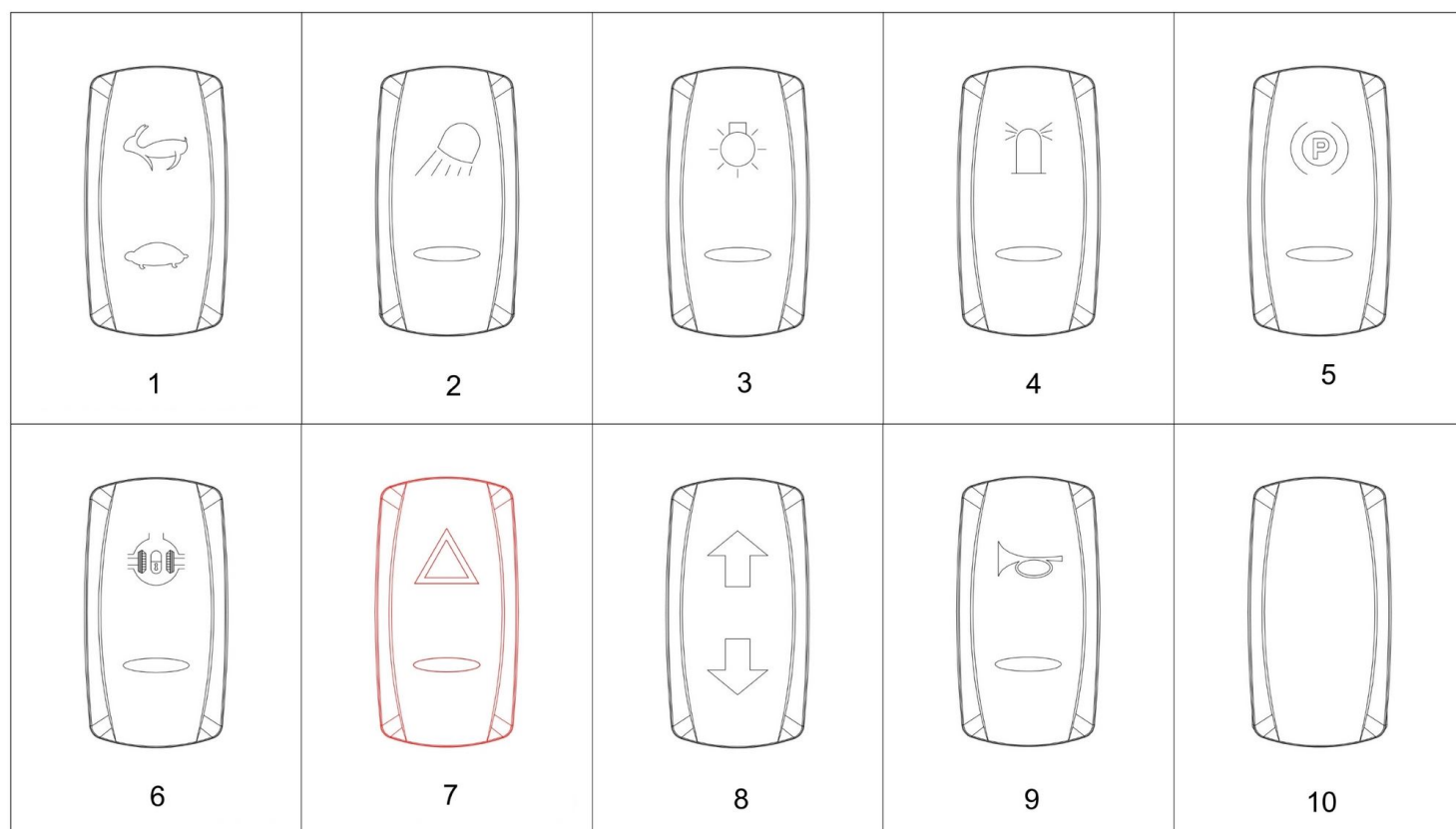
Component list [ TAV. 49 AUX HYDRAULIC DIAGRAM ]

Pos.	Code	Description	Q.ty
1	C030102	OIL SUCTION PIPE ̄19x28	1.00000
2	C030120	SUCTION PIPE ̄38-̄47x420	1.00000
3	C030480	HYDRAULIC MULTICONNECTOR, FIX 3 WAY	1.00000
4	C030759	S500 HYDRAULIC DISTRIBUTOR >07-2012 WITH VALVES	1.00000
5	C030785	REDUCER VALVE FOR EZ	1.00000
6	C030963	8,3CC GEAR PUMP SAEA	1.00000
7	C036600	RETURN FILTER ASSY FOR S/SL SERIES	1.00000
8	C038510	STEERING UNIT S/SL/GT>2007/MIG 80CC	1.00000
9	C274183/L	INTAKE OIL COLLECTOR	1.00000
10	C281744	POWER STEERING CYLINDER	1.00000
11	C281745	TELESCOPIC BOOM CYLINDER	1.00000
12	C281772	90-35-177 SELF-LEVELING CYLINDER M1 7-8 M1 SD 7-8	1.00000
13	C281773	90-35-236 TILT PLATE CYLINDER M1 7-8 SD 7-8	1.00000
14	C283098	LIFTING BOOM CYLINDER	1.00000
15	C285220	{{>desc}}	1.00000
16	C810363/001	{{>desc}}	2.00000



**Draft and part list report**  
**Serial n / code M351159 / C962020**  
**Description MULTIONE EZ 7**

17	C810363/003	{{>desc}}	3.00000
18	C810485/07	{{>desc}}	1.00000
19	C810485/08	{{>desc}}	1.00000
20	C810485/09	{{>desc}}	1.00000
21	C810485/12	{{>desc}}	1.00000
22	C810485/13	{{>desc}}	1.00000
23	C810485/14	{{>desc}}	1.00000
24	C810485/15	{{>desc}}	2.00000
25	C810485/16	{{>desc}}	1.00000
26	C810485/17	{{>desc}}	2.00000
27	C810485/18	{{>desc}}	1.00000
28	C810485/19	{{>desc}}	1.00000
29	C810485/20	{{>desc}}	1.00000
30	C810485/21	{{>desc}}	1.00000
31	C810485/22	{{>desc}}	1.00000
32	C810485/23	{{>desc}}	1.00000
33	C810485/24	{{>desc}}	1.00000
34	C810485/25	{{>desc}}	1.00000
35	C810485/26	{{>desc}}	1.00000
36	C810485/28	{{>desc}}	1.00000
37	C810485/32	{{>desc}}	1.00000
38	C810363/04	{{>desc}}	1.00000



Component list [ TAV. 61 SWITCHES ]

Pos.	Code	Description	Q.ty
1	C038179	COMPLETE CHANGE SPEED SWITCH	1.00000
2	C038177	COMPLETE WORK LIGHT SWITCH	1.00000
3	C038182	COMPLETE ROAD LIGHT SWITC	1.00000
4	C038178	COMPLETE FLASHING BEACON SWITCH	1.00000
5	C038180	COMPLETE PARKING BRAKE SWITCH	1.00000
6	C038176	COMPLETE DBS SWITCH	1.00000
7	C038183	COMPLETE WARNING LIGHT SWITCH	1.00000
8	C038181	COMPLETE ELECTRIC SOCKET / LIGHT DIRECTION SWITCH	1.00000
9	C038175	COMPLETE HORN SWITCH	1.00000
10	C038184	CAP FOR SWITCH PLACE	1.00000