

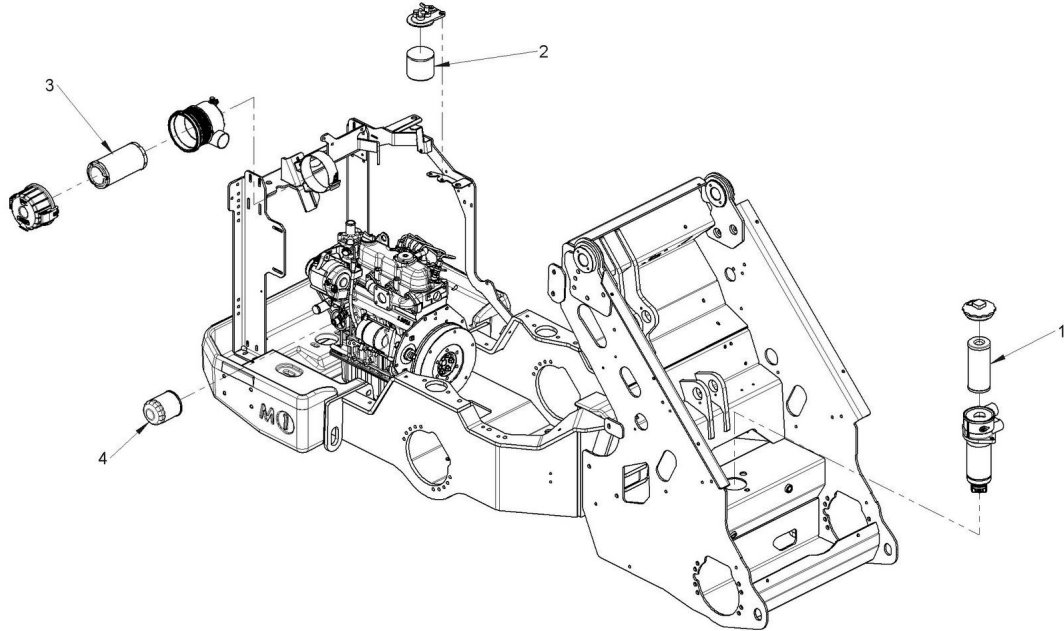
List of machine draft

N.	Draft
1	TAV. 00 FILTERS
2	TAV. 01 ENGINE
3	TAV. 02 PUMPS
4	TAV. 04 ENGINE COOLER
5	TAV. 05 OIL COOLER
6	TAV. 06 ARTICULATION
7	TAV. 07 WHEEL MOTORS
8	TAV. 08 THREAD INSERT
9	TAV. 09 ENGINE SILENT BLOCK
10	TAV. 10 WHEEL MOTOR FITTINGS
11	TAV. 11 CYLINDER AND POWER STEERING
12	TAV. 12 SUCTION COLLECTOR
13	TAV. 13 OIL HOSES
14	TAV. 14 DBS VALVE
15	TAV. 15 ENGINE COOLER
16	TAV. 16 MUFFLER
17	TAV. 17 VALVE BANK
18	TAV. 18 OIL COOLER
19	TAV. 19 WHEEL MOTORS FITTINGS
20	TAV. 20 VALVE BANK FITTINGS
21	TAV. 21 BATTERY
22	TAV. 22 AIR FILTER
23	TAV. 23 FUEL TANK
24	TAV. 24 FUEL HOSES
25	TAV. 25 SEAT SUPPORT
26	TAV. 26 RELAYS SUPPORT
27	TAV. 27 WHEELS
28	TAV. 28 BOOM
29	TAV. 29 TILTING PLATE
56	TAV. 30 COUPLING PLATE
30	TAV. 31 ROLLBAR
31	TAV. 33 HORN AND JOYSTICK
32	TAV. 34 REAR SUPPORT
33	TAV. 35 REAR SIDE MUDGUARD
34	TAV. 36 OVER ARTICULATION AND PUMPS COVER
57	TAV. 37 REAR SIDE COVERS
35	TAV. 38 OVER ENGINE COVER
36	TAV. 39 REAR MUDGUARD
37	TAV. 40 FOOTREST



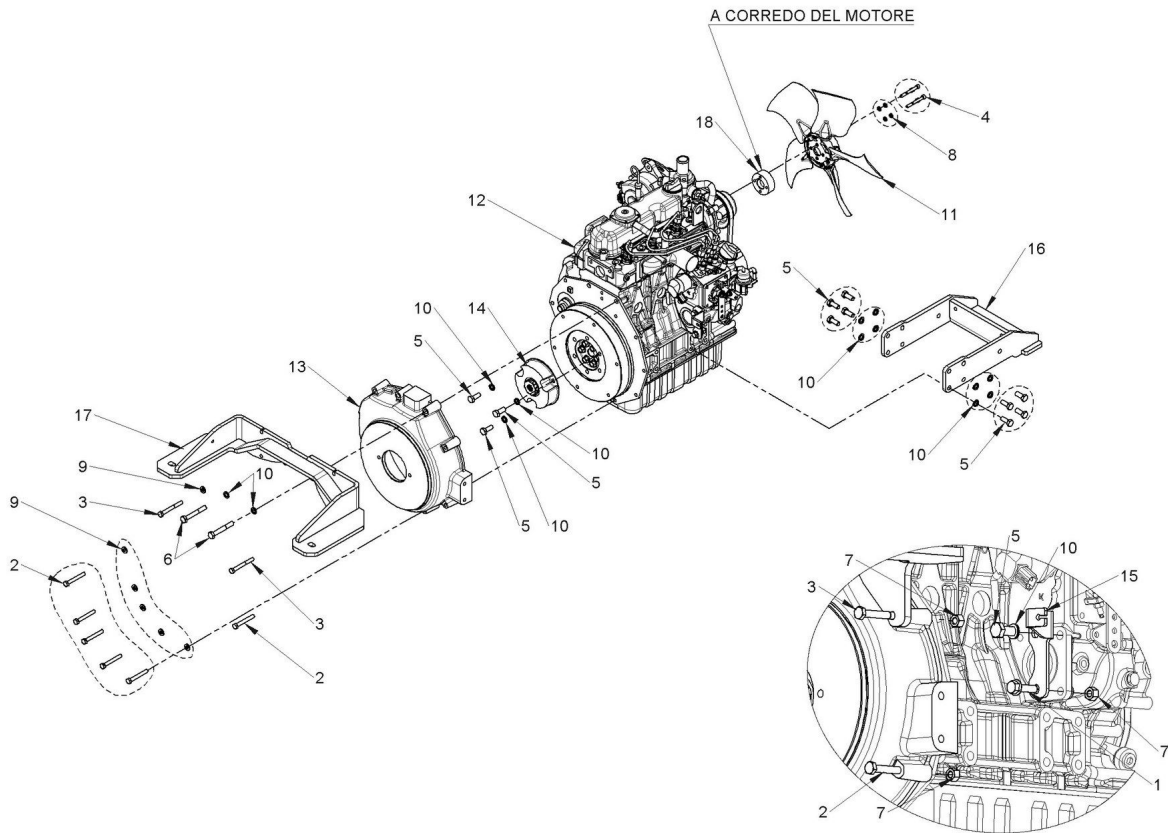
Draft and part list report
Serial n / code M355247 / C962025
Description MULTIONE 7.2K T4F-STAGE5

38	TAV. 41 BACK CABIN COVER
39	TAV. 42 UNDER SEAT COVER
58	TAV. 43 FRONT DASHBOARD
40	TAV. 44 FRONT MUDGUARDS
41	TAV. 45 FRONT LEFT SIDE
42	TAV. 46 RIGHT SIDE
59	TAV. 47 RIGHT SIDE DASHBOARD
43	TAV. 48 WORK LIGHT COVER
44	TAV. 49 WINDSCREEN HOLDER
45	TAV. 50 UNDERBOOM
46	TAV. 51 SEAT
47	TAV. 52 REAR BUFFERS
48	TAV. 53 TRANSPARENT COVERS
49	TAV. 54 ELECTRIC PARTS
50	TAV. 55 BOOM COMPONENTS
51	TAV. 56 TRANSMISSION HYDRAULIC DIAGRAM
52	TAV. 57 SERVICES HYDRAULIC DIAGRAM
60	TAV. 80 ELECTRIC SWITCHES 2ND GEN
53	TAV. 89 COMPARE 2nd 3rd GENERATION MULTICONNECTOR MACHINE SIDE
54	TAV. 92 BSP MULTICONNECTOR MACHINE SIDE 2nd GENERATION
55	TAV. 96 BSP MULTICONNECTOR 3rd GENERATION MACHINE SIDE



Component list [TAV. 00 FILTERS]

Pos.	Code	Description	Q.ty
1	C036627	HYDRAULIC OIL FILTER CARTRIDGE H160	1.00000
2	C036649	FUEL FILTER CARTRIDGE FOR KUBOTA D1305 V1505	1.00000
3	C039058	4" AIR FILTER CARTRIDGE	1.00000
4	C039158	KUBOTA D1305 V1505 ENGINE OIL FILTER	1.00000



Component list [TAV. 01 ENGINE]

Pos.	Code	Description	Q.ty
1	C019204	DIN 6921 M8x30 FLANGED HEAD SCREW	1.00000
2	C020080	HEXAGON HEAD SCREW M8x60 UNI 5739	6.00000
3	C020086	HEXAGON HEAD BOLT 8.8 M8x70 ISO 4014	2.00000
4	C020214	UNI EN ISO 4762 M6x35 HEX SOCKET HEAD CAP SCREW	4.00000
5	C020259	UNI5740 HEXAGON HEAD SCREW M10x25 FINE THREAD	12.00000
6	C020299	EN ISO 8765 HEXAGON HEAD SCREW M10x70 FINE THREAD	2.00000
7	C021502	SLOTTED AND CASTLE HEXAGON NUTS M8 DIN980	3.00000
8	C023040	M6 NORD LOCK WASHER	4.00000
9	C023041	M8 NORD LOCK WASHER	6.00000
10	C023042	M10 NORD LOCK WASHER	14.00000
11	C034218	Ø355mm FAN	1.00000
12	C039216	ENGINE KUBOTA D1305- CSF T4F-STAGE5	1.00000
13	C039516	SEA A KOBUTA PUMP FLANGE	1.00000
14	C039548	Z13 PUMP JOINT KUBOTA 05SERIES	1.00000
15	C285113	THROTTLE WIRE BRACKET ON ENGINE	1.00000
16	C285125	REAR ENGINE SUPPORT	1.00000
17	C285127	FRONT ENGINE SUPPORT	1.00000

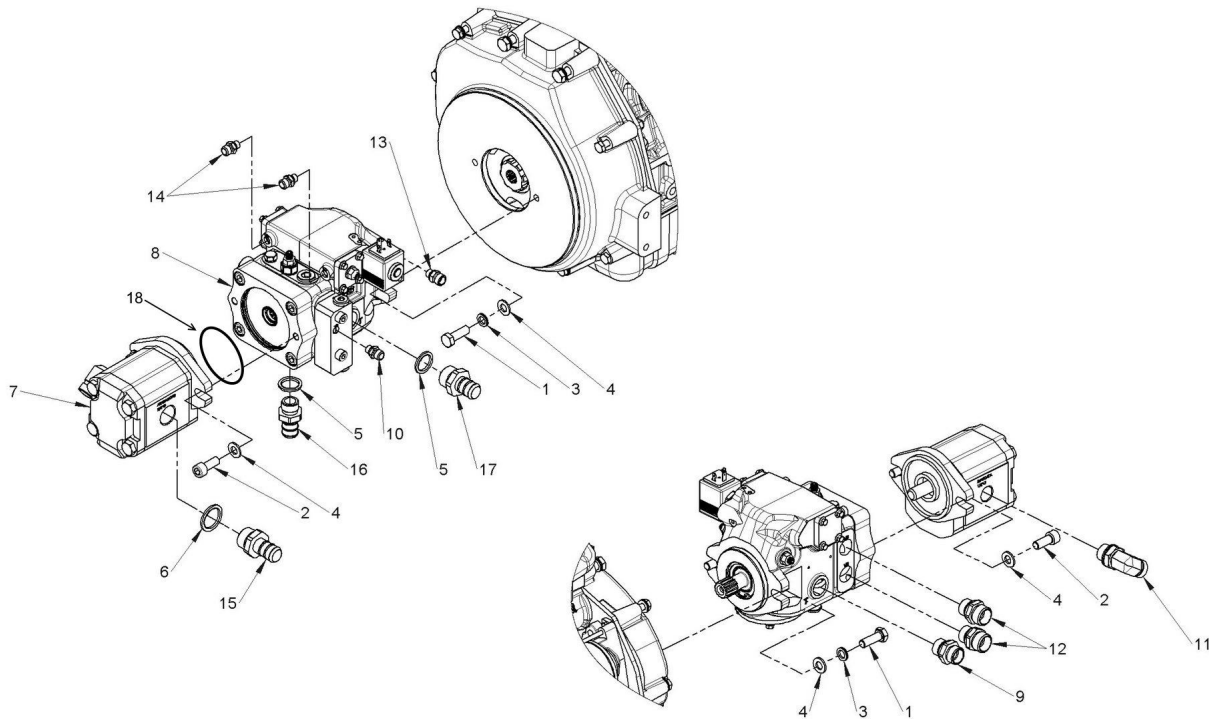


Draft and part list report
Serial n / code M355247 / C962025
Description MULTIONE 7.2K T4F-STAGE5

18 FF162/17053-74151

21mm FAN SPACER

1.00000



Component list [TAV. 02 PUMPS]

Pos.	Code	Description	Q.ty
1	C020102	UNI 5739 M10x30 HEX HEAD SCREW	2.00000
2	C020219	UNI EN ISO 4762 M10x25 HEX SOCKET HEAD CAP SCREW	2.00000
3	C023042	M10 NORD LOCK WASHER	2.00000
4	C023080	UNI 6592 FLAT WASHER M10 - 10,5x20x2	4.00000
5	C030542	1/2" G BONDED WASHER	2.00000
6	C030543	3/4" G BONDED WASHER	1.00000
7	C030973	GEAR PUMP 16cc	1.00000
8	C031382	HYDROSTATIC PUMP 20CC -370 BAR	1.00000
9	C033003	MALE-MALE CONNECTOR 1/2" G - 15L	1.00000
10	C033008	MALE-MALE CONNECTOR 1/8" G - 6L	1.00000
11	C033022	90° ELBOW ADJ. MALE 1/2" G - MALE 15L	1.00000
12	C033073	MALE-MALE CONNECTOR 1/2" G - 16S	2.00000
13	C033172	MALE-MALE CONNECTOR 1/8" G - 8L	1.00000
14	C033195	MALE-MALE CONNECTOR 1/8" G - 6L WITH 0,8 mm HOLE	2.00000
15	C033300	STRAIGHT HOSE CONNECTOR 3/4" G F - 3/4" HOSE	1.00000
16	C033301	STRAIGHT HOSE FITTING 1/2" G - 3/4" HOSE	1.00000
17	C033302	PORTAGOMMA DRITTO 3/4" TUBO DA 3/4" A SALDARE	1.00000

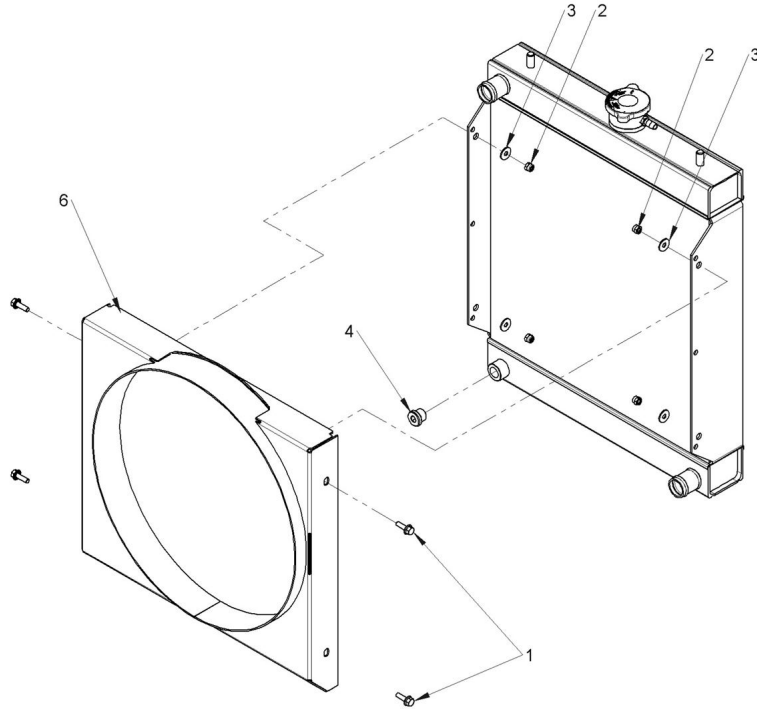


Draft and part list report
Serial n / code M355247 / C962025
Description MULTIONE 7.2K T4F-STAGE5

18 C016001

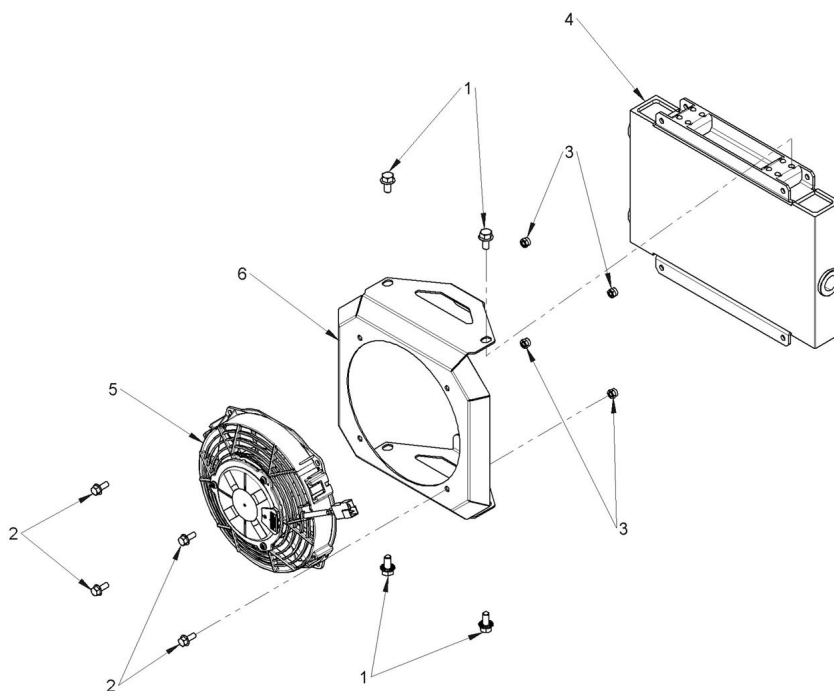
ORING 82,22X2,62

1.00000



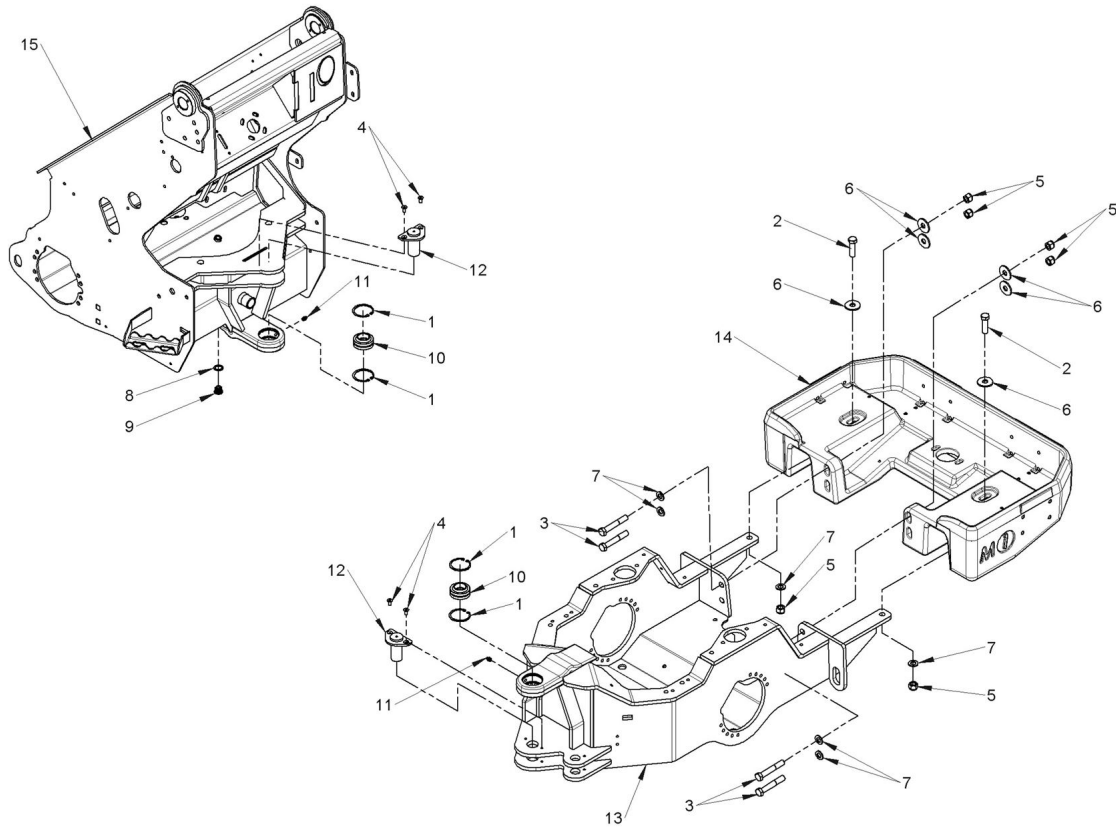
Component list [TAV. 04 ENGINE COOLER]

Pos.	Code	Description	Q.ty
1	C019212	DIN 6921 M6x20 FLANGED HEAD SCREW	4.00000
2	C021104	UNI 7473 SELF-LOCKING NUT M6	4.00000
3	C023110	UNI 6593 LARGE WASHER M6 - 6,5x18x1,5	4.00000
4	C030381	MALE PLUG 3/8" G	1.00000
5	C030620	ENGINE WATER COOLER	1.00000
6	C285130	7.2K SD 6.3K ENGINE COOLE CONVEYOR	1.00000



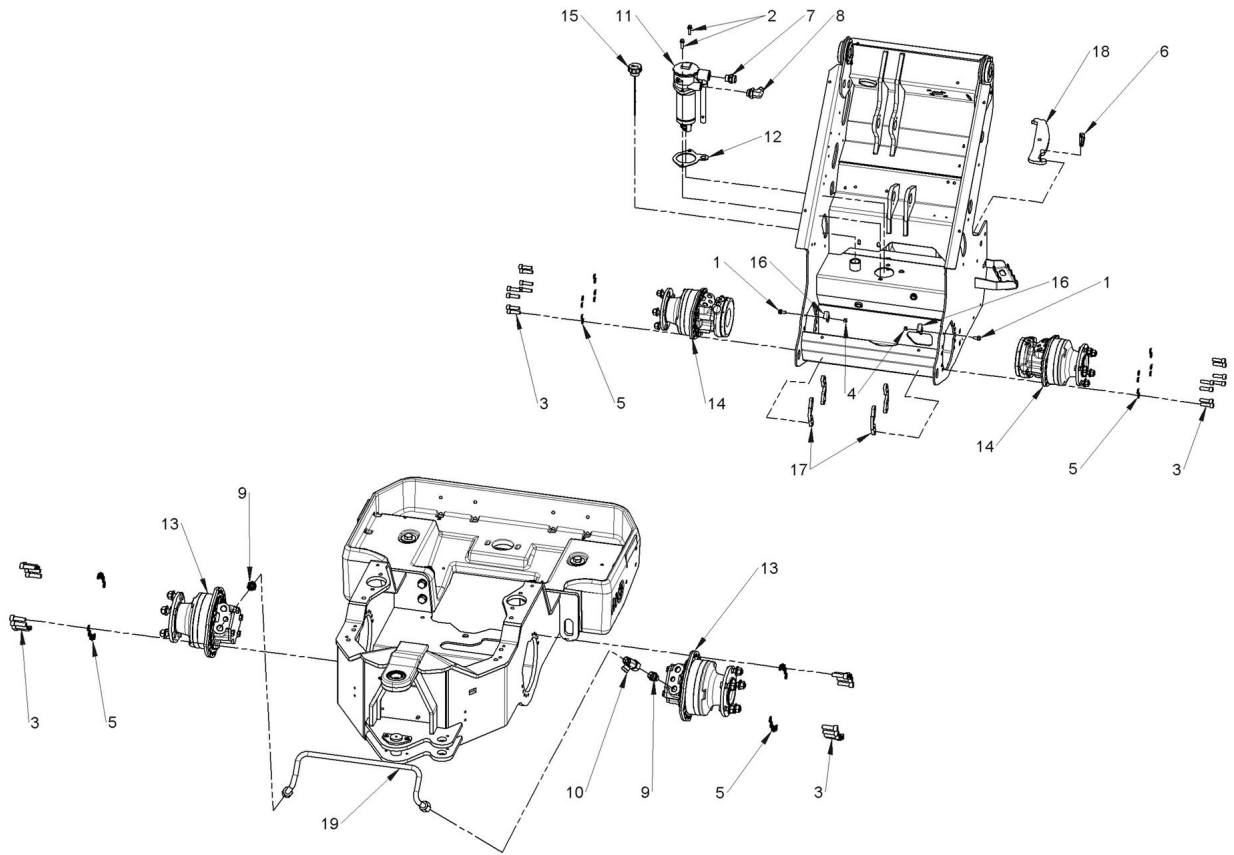
Component list [TAV. 05 OIL COOLER]

Pos.	Code	Description	Q.ty
1	C019201	DIN 6921 M8x16 FLANGED HEAD SCREW	4.00000
2	C019211	DIN 6921 M6x16 FLANGED HEAD SCREW	4.00000
3	C021104	UNI 7473 SELF-LOCKING NUT M6	4.00000
4	C030587	OIL COOLER FOR MULTIONE S 600 SERIES	1.00000
5	C034001	190mm ELECTRIC FAN	1.00000
6	C282249	OIL SUPPORT COOLER	1.00000



Component list [TAV. 06 ARTICULATION]

Pos.	Code	Description	Q.ty
1	C018310	BORES SEEGER RING Ø62 DIN 472	4.00000
2	C020141	UNI 5737 M16x55 HEX HEAD SCREW	2.00000
3	C020146	UNI 5737 M16x100 HEX HEAD SCREW	4.00000
4	C020227	UNI 5933 M8x18 HEX SOCKET COUNTERSUNK CAP SCREW	4.00000
5	C021109	UNI 7473 SELF-LOCKING NUT M16	6.00000
6	C023138	UNI 6593 LARGE WASHER M16 - 17x48x4	6.00000
7	C023139	UNI 6592 FLAT WASHER M16 - 17x30x3	6.00000
8	C030542	1/2" G BONDED WASHER	1.00000
9	C030610	MAGNETIC MALE PLUG 1/2" G	1.00000
10	C037637	GE 35 FO 2RS RADIAL BALL JOINT	2.00000
11	C090030	GREASER NIPPLE M10x1 UNI 7663A	2.00000
12	C230166	FLANGED PIN Ø35 L=73	2.00000
13	C281600	REAR FRAME	1.00000
14	C281616	BACKWEIGHT FOR M1	1.00000
15	C281660	FRONT FRAME M1 6-7-8	1.00000



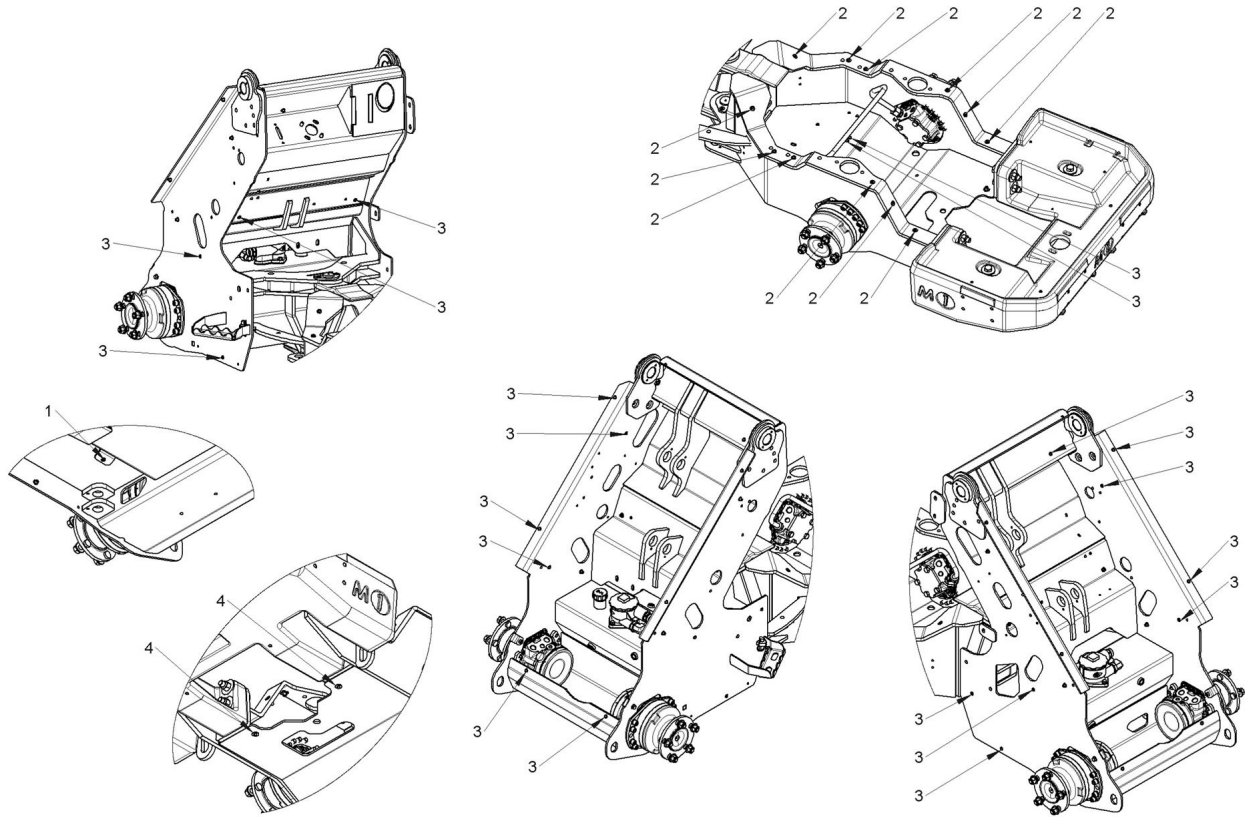
Component list [TAV. 07 WHEEL MOTORS]

Pos.	Code	Description	Q.ty
1	C019202	DIN 6921 M8x20 FLANGED HEAD SCREW	2.00000
2	C019204	DIN 6921 M8x30 FLANGED HEAD SCREW	2.00000
3	C020250	UNI EN ISO 4762 M12x40 HEX SOCKET HEAD CAP SCREW	36.00000
4	C021502	SLOTTED AND CASTLE HEXAGON NUTS M8 DIN980	2.00000
5	C023043	M12 NORD LOCK WASHER	36.00000
6	C028201	CLICK PIN Ø6 mm	1.00000
7	C033004	MALE-MALE CONNECTOR 3/4" G - 22L	1.00000
8	C033028	90° ELBOW HOSE FITTING SW.M 3/4" G - 3/4" HOSE	1.00000
9	C033073	MALE-MALE CONNECTOR 1/2" G - 16S	2.00000
10	C033083	TEE FITTING SW.F-M-M 16S	1.00000
11	C036628	COMBINED OIL FILTER H=300 mm	1.00000
12	C036648	GASKET FOR OIL FILTER C036628	1.00000
13	C038835	MSE02-0 332cc WHEEL MOTOR	2.00000
14	C038836	MSE02-0 332cc WHEEL MOTOR WITH BRAKE	2.00000
15	C038748	1" G PRESSURIZED LEVEL CUP 0.1 bar	1.00000
16	C277807	BOOM STOPPER ON FRONT FRAME	2.00000
17	C281614	WHEEL MOTOR LOCKING PLATE	4.00000



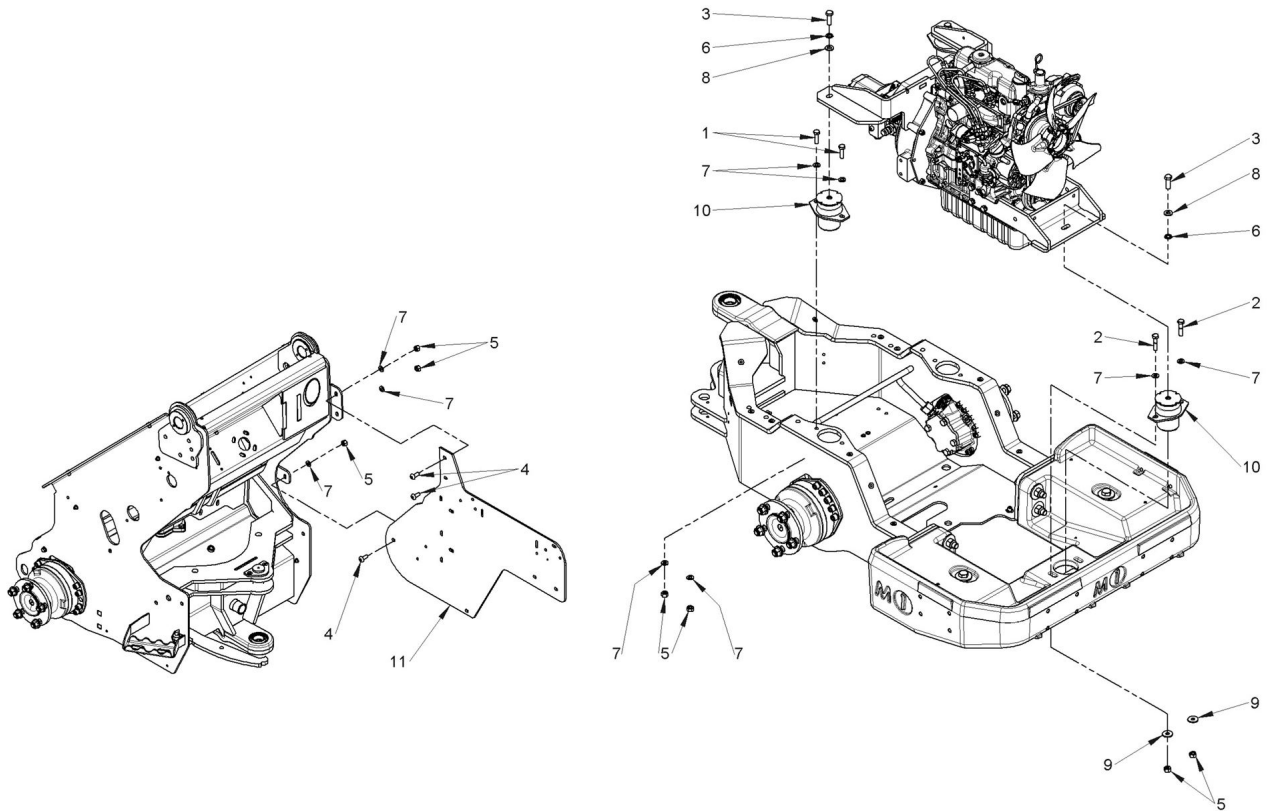
Draft and part list report
Serial n / code M355247 / C962025
Description MULTIONE 7.2K T4F-STAGE5

18	C281782	ARTICULATION LOCK	1.00000
19	C810366/40	Hose length(mm): - Pressure rate: Ø16x2 Diameter(inc): - Phase: 1st fitting: 16S - 2nd fitting: 16S Protection:	1.00000



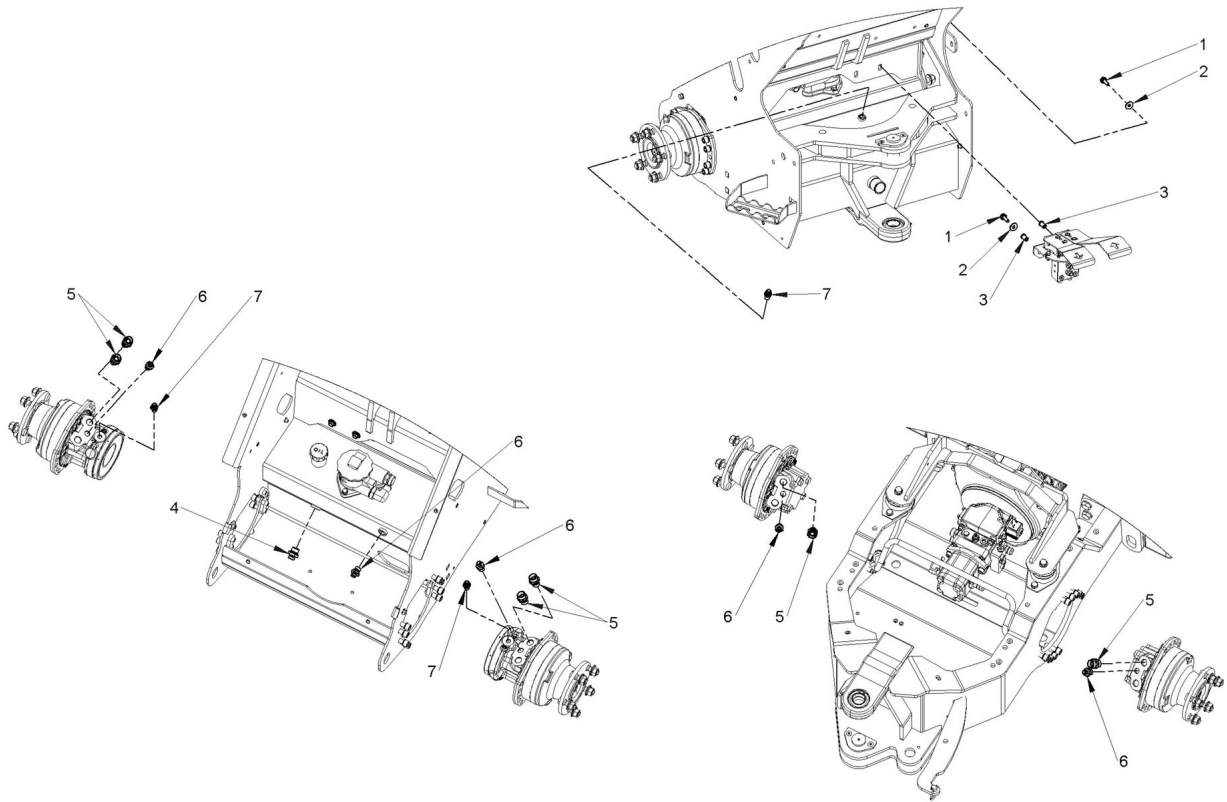
Component list [TAV. 08 THREAD INSERT]

Pos.	Code	Description	Q.ty
1	C028271	THREAD INSERT M6	1.00000
2	C028288	THREAD INSERT M6	12.00000
3	C028291	THREAD INSERT M6	20.00000
4	C028298	THREAD INSERT M8	2.00000



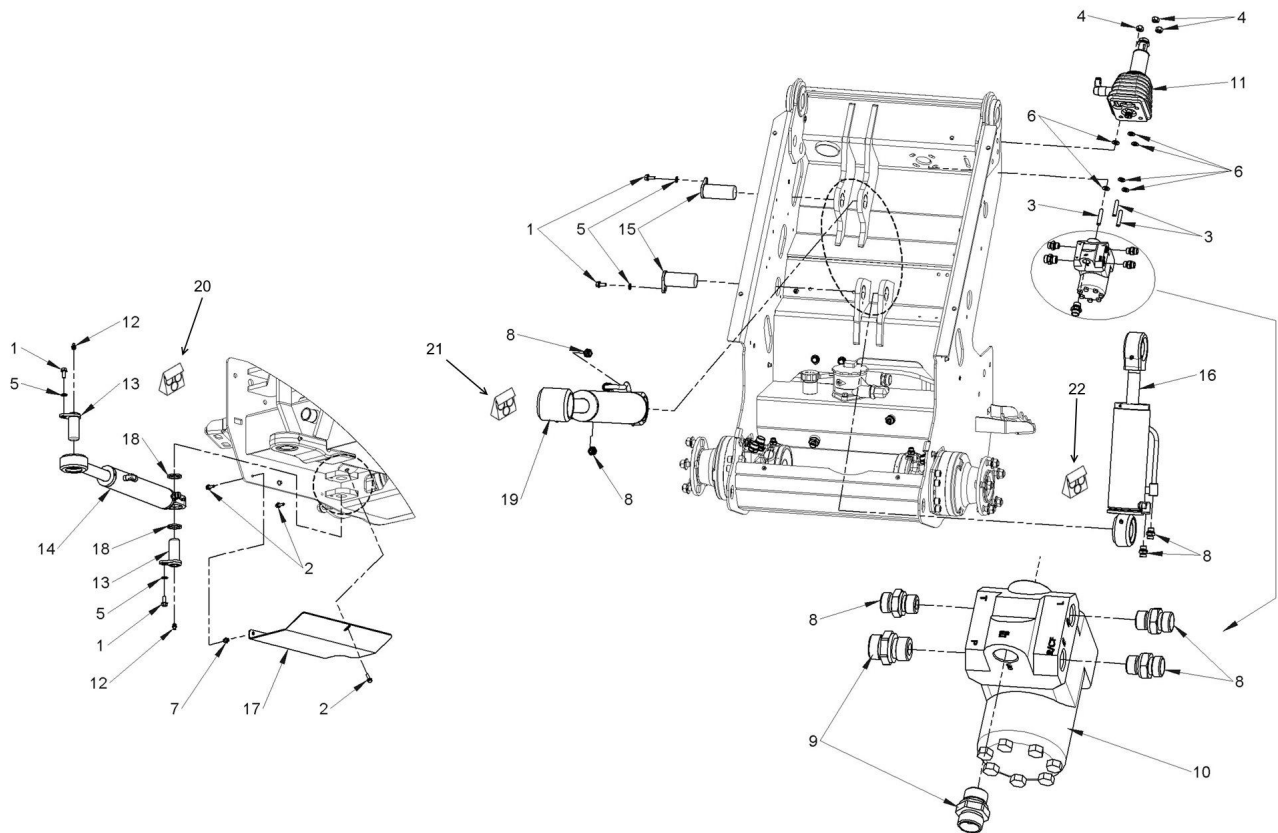
Component list [TAV. 09 ENGINE SILENT BLOCK]

Pos.	Code	Description	Q.ty
1	C020103	HEXAGON HEAD SCREW M10x35 ISO 4017	4.00000
2	C020109	UNI 5737 M10x45 HEX HEAD SCREW	2.00000
3	C020133	HEXAGON HEAD BOLT 10.9 M12x35 ISO 4017	3.00000
4	C020550	ISO 7380 M10x25 HEX SOCKET OVAL HEAD SCREW	3.00000
5	C021503	SLOTTED AND CASTLE HEXAGON NUTS M10 DIN980	9.00000
6	C023043	M12 NORD LOCK WASHER	3.00000
7	C023080	UNI 6592 FLAT WASHER M10 - 10,5x20x2	13.00000
8	C023102	UNI 6592 FLAT WASHER M12 - 13x24x2,5	3.00000
9	C023104	UNI 6593 LARGE WASHER M10 - 10,5x30x2,5	2.00000
10	C037410	HYDRAULIC DUMPER 40SH	3.00000
11	C281746	HYDRAULIC VALVES SIDE SUPPORT	1.00000



Component list [TAV. 10 WHEEL MOTOR FITTINGS]

Pos.	Code	Description	Q.ty
1	C019203	DIN 6921 M8x25 FLANGED HEAD SCREW	2.00000
2	C023100	UNI 6593 LARGE WASHER M8 - 8,5x24x2	2.00000
3	C028270	THREAD INSERT M8	2.00000
4	C033002	MALE-MALE CONNECTOR 1/2" G - 12L	1.00000
5	C033073	MALE-MALE CONNECTOR 1/2" G - 16S	6.00000
6	C033133	MALE-MALE CONNECTOR 3/8" G - 8L	5.00000
7	C033134	MALE-MALE CONNECTOR 1/4" G - 8L	3.00000



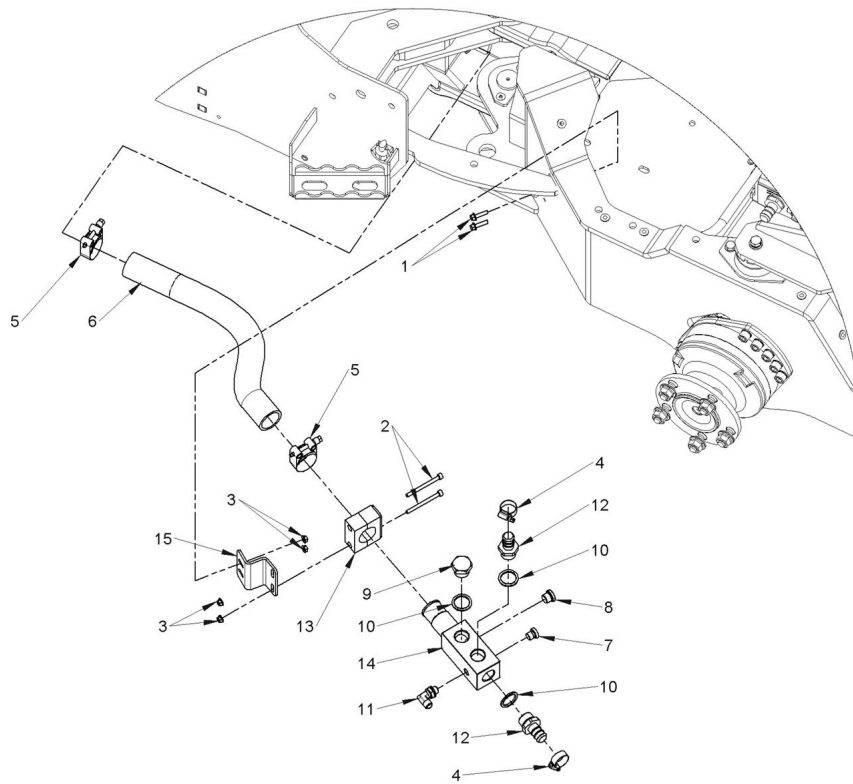
Component list [TAV. 11 CYLINDER AND POWER STEERING]

Pos.	Code	Description	Q.ty
1	C019202	DIN 6921 M8x20 FLANGED HEAD SCREW	4.00000
2	C019212	DIN 6921 M6x20 FLANGED HEAD SCREW	3.00000
3	C020551	THREAD BAR M10X50	3.00000
4	C021503	SLOTTED AND CASTLE HEXAGON NUTS M10 DIN980	3.00000
5	C023041	M8 NORD LOCK WASHER	4.00000
6	C023080	UNI 6592 FLAT WASHER M10 - 10,5x20x2	6.00000
7	C028271	THREAD INSERT M6	2.00000
8	C033001	MALE-MALE CONNECTOR 3/8" G - 12 L	7.00000
9	C033003	MALE-MALE CONNECTOR 1/2" G - 15L	2.00000
10	C038510	STEERING UNIT 80 cc	1.00000
11	C038508	STEERING COLUMN 200 MM	1.00000
12	C090030	GREASER NIPPLE M10x1 UNI 7663A	2.00000
13	C230164	FLANGED PIN Ø30 L=66	2.00000
14	C281744	POWER STEERING CYLINDER	1.00000
15	C281765	FLANGED PIN Ø40 L=90	2.00000
16	C281772	90-35-177 SELF-LEVELING CYLINDER M1 7-8 M1 SD 7-8	1.00000
17	C281783	POWER STEERING CYLINDER PROTECTION COVER	1.00000



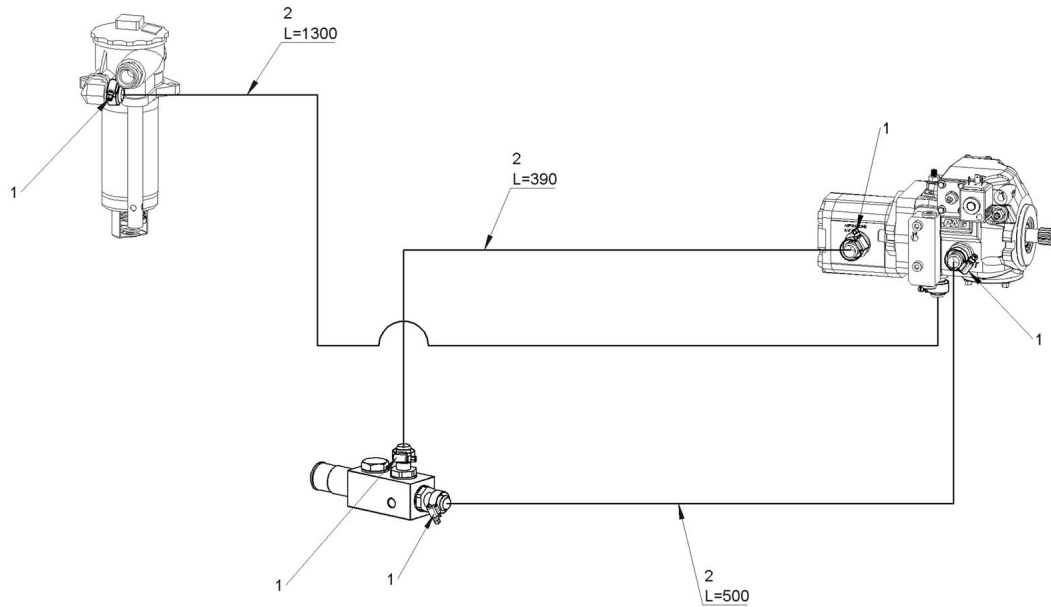
Draft and part list report
Serial n / code M355247 / C962025
Description MULTIONE 7.2K T4F-STAGE5

18	C282911	∅40-∅30,2-4 SPACER	2.00000
19	C283098	LIFTING BOOM CYLINDER	1.00000
20	C036829	C281744 SEAL KIT	1.00000
21	C036803	SEAL KIT FOR CYLINDER DIAM. 80	1.00000
22	C036821	CYLINDER SEAL KIT BORE 90 ROD 35	1.00000



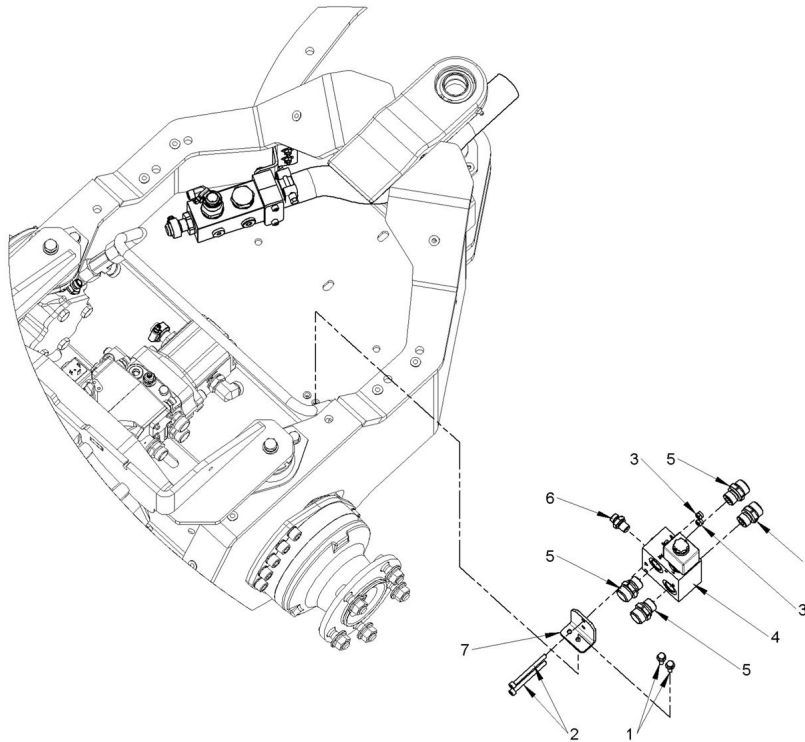
Component list [TAV. 12 SUCTION COLLECTOR]

Pos.	Code	Description	Q.ty
1	C019213	DIN 6921 M6x25 FLANGED HEAD SCREW	2.00000
2	C020241	UNI EN ISO 4762 M6x70 HEX SOCKET HEAD CAP SCREW	2.00000
3	C021018	M6 SERPRESS SLOTTED HEX NUT	4.00000
4	C029046	STAINLESS STEEL CLAMP 20-32 BELT 12	2.00000
5	C029049	STEEL BELT 43/47 MM	2.00000
6	C030106	SUCTION PIPE 138x47	1.00000
7	C030380	PLUG HEXAGON SOCKET M 1/4" GAS	1.00000
8	C030381	MALE PLUG 3/8" G	1.00000
9	C030383	TAPPO ESAGONALE M 3/4 GAS	1.00000
10	C030543	3/4" G BONDED WASHER	3.00000
11	C033096	90° ELBOW SW.M 1/4" G - M 8L	1.00000
12	C033300	STRAIGHT HOSE CONNECTOR 3/4" G F - 3/4" HOSE	2.00000
13	C035107	Ø38 1 PLACE PIPE BELT	1.00000
14	C274183/L	INTAKE OIL COLLECTOR	1.00000
15	C281656	OIL SUCTION MANIFOLD / DOUBLE SPEEDD VALVE SUPPORT	1.00000



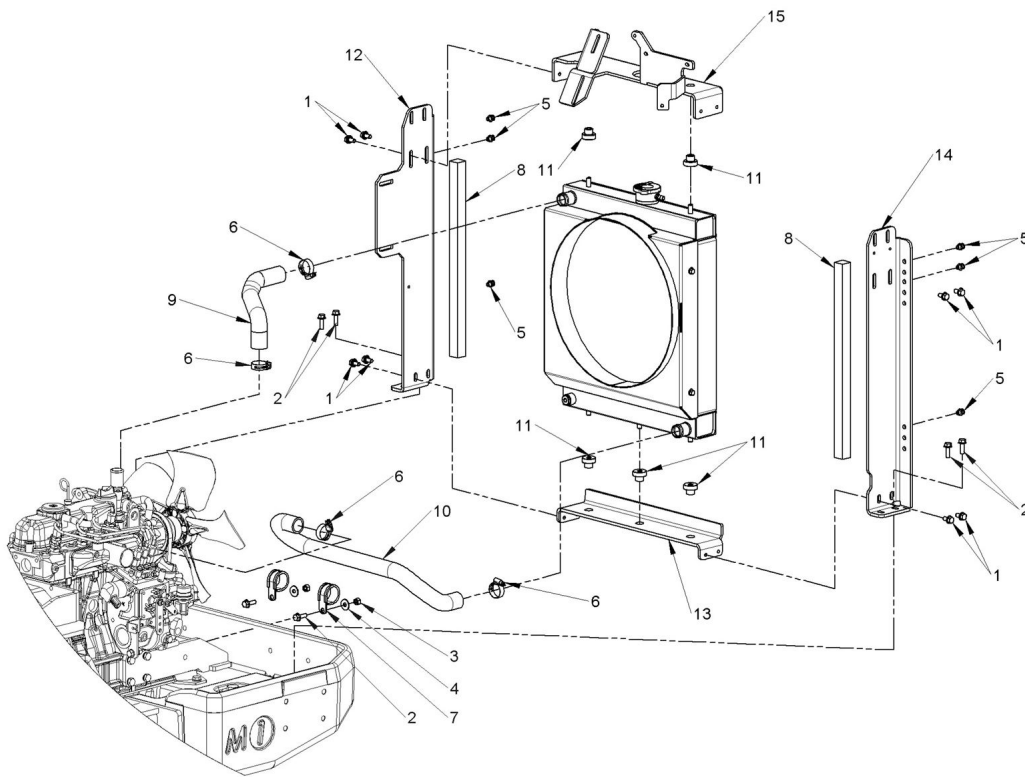
Component list [TAV. 13 OIL HOSES]

Pos.	Code	Description	Q.ty
1	C029046	STAINLESS STEEL CLAMP 20-32 BELT 12	6.00000
2	C030102	OIL SUCTION HOSE Ø19x28	1.00000



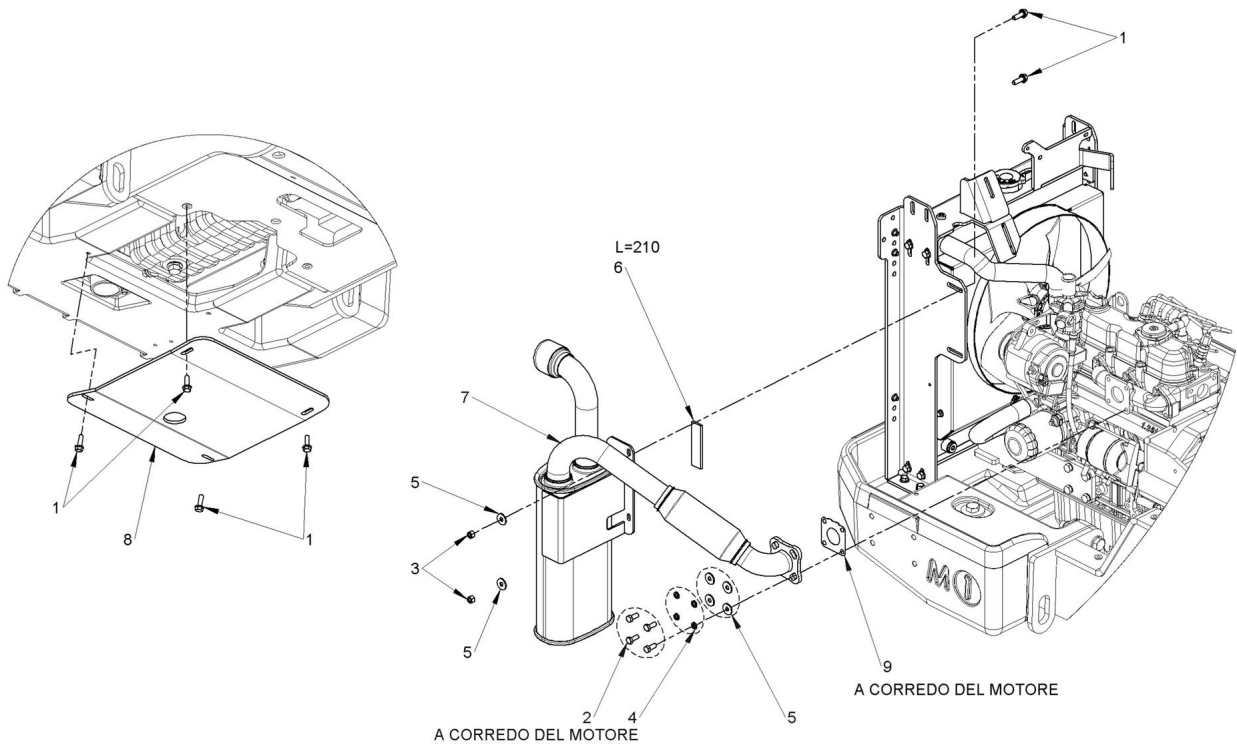
Component list [TAV. 14 DBS VALVE]

Pos.	Code	Description	Q.ty
1	C019212	DIN 6921 M6x20 FLANGED HEAD SCREW	2.00000
2	C020241	UNI EN ISO 4762 M6x70 HEX SOCKET HEAD CAP SCREW	2.00000
3	C021104	UNI 7473 SELF-LOCKING NUT M6	2.00000
4	C031052	DBS TRANSMISSION VALVE	1.00000
5	C033073	MALE-MALE CONNECTOR 1/2" G - 16S	4.00000
6	C033134	MALE-MALE CONNECTOR 1/4" G - 8L	1.00000
7	C281655	DIFFERENTIAL VALVE SUPPORT	1.00000



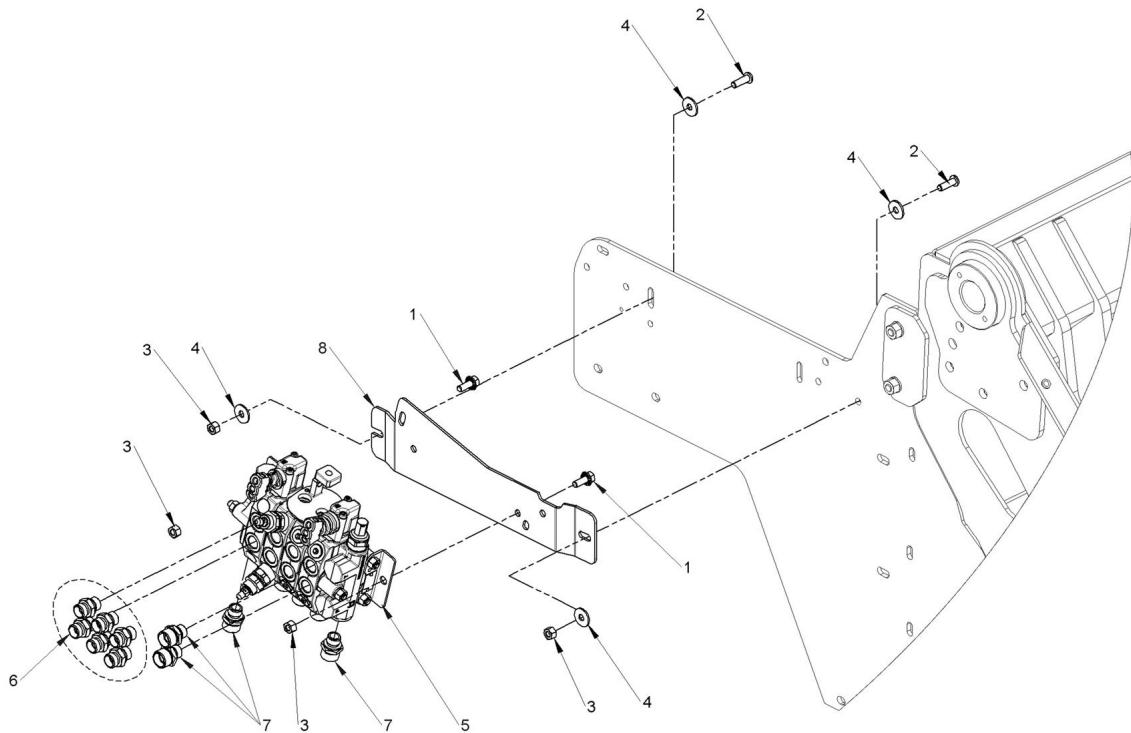
Component list [TAV. 15 ENGINE COOLER]

Pos.	Code	Description	Q.ty
1	C019201	DIN 6921 M8x16 FLANGED HEAD SCREW	8.00000
2	C019203	DIN 6921 M8x25 FLANGED HEAD SCREW	6.00000
3	C021502	SLOTTED AND CASTLE HEXAGON NUTS M8 DIN980	2.00000
4	C023100	UNI 6593 LARGE WASHER M8 - 8,5x24x2	2.00000
5	C028291	THREAD INSERT M6	6.00000
6	C029032	STAINLESS STEEL CLAMP 30-45 BELT 12	4.00000
7	C029053	Ø35 RUBBERED INOX BELT W/HOLE Ø11	2.00000
8	C035004	BLACK ADHESIVE MOUSSE 25X25	2.00000
9	C035151	INLET ENGINE COOLER PIPE	1.00000
10	C035180	LOWER ENGINE COOLER HOSE	1.00000
11	C036017	ENGINE COOLER DAMPING PAD	5.00000
12	C281634	RIGHT ENGINE COOLER SUPPORT	1.00000
13	C281635	LOWER ENGINE COOLE SUPPORT	1.00000
14	C281636	LEFT ENGINE COOLER SUPPORT	1.00000
15	C281637	UPPER ENGINE COOLER SUPPORT	1.00000



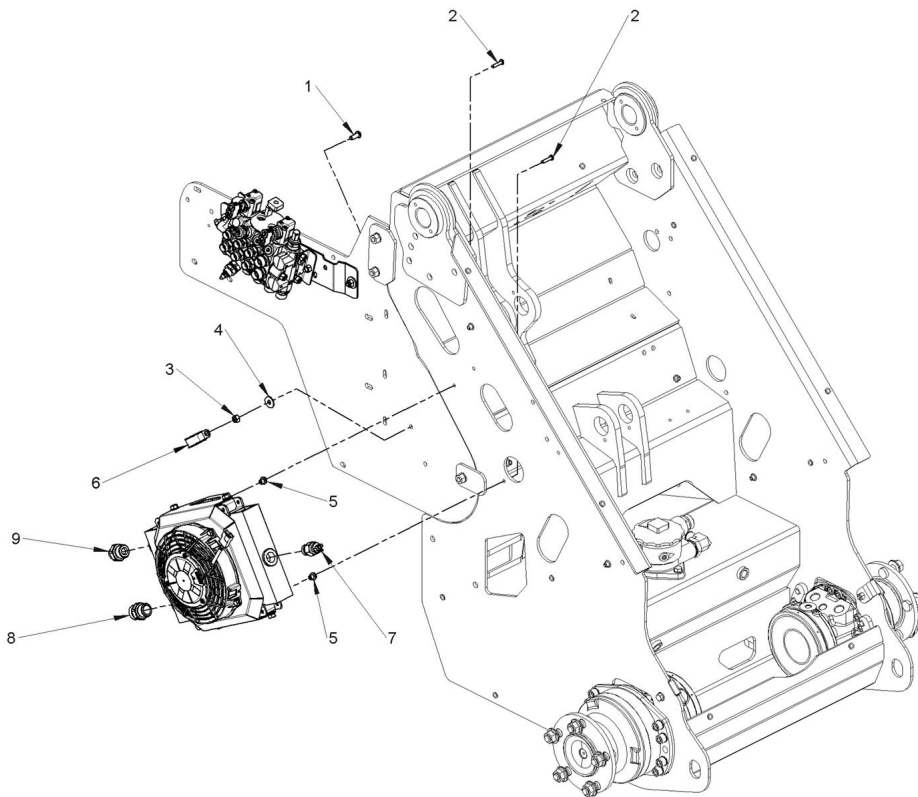
Component list [TAV. 16 MUFFLER]

Pos.	Code	Description	Q.ty
1	C019203	DIN 6921 M8x25 FLANGED HEAD SCREW	6.00000
2	C020072	UNI 5739 M8x20 HEX HEAD SCREW	4.00000
3	C021502	SLOTTED AND CASTLE HEXAGON NUTS M8 DIN980	2.00000
4	C023050	GROWER WASHER FOR M8 UNI 1751A	4.00000
5	C023100	UNI 6593 LARGE WASHER M8 - 8,5x24x2	6.00000
6	C035000	FOAM BLACK ADHESIVE 25x5	1.00000
7	C039221	6.3SD-7.2 KUBOTA MUFFLER	1.00000
8	C281648	OIL SUMP PROTECTION	1.00000
9	FF162/15263-12370		1.00000



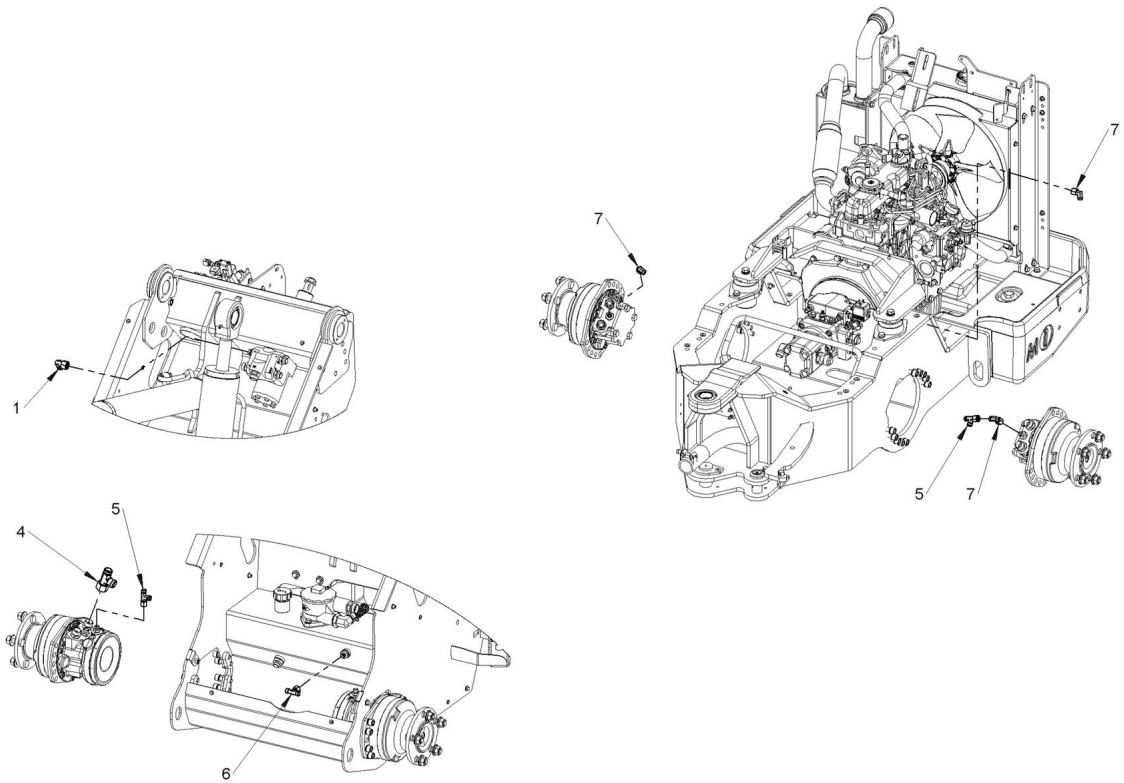
Component list [TAV. 17 VALVE BANK]

Pos.	Code	Description	Q.ty
1	C019202	DIN 6921 M8x20 FLANGED HEAD SCREW	2.00000
2	C020543	ISO 7380 M8x25 HEX SOCKET OVAL HEAD SCREW	2.00000
3	C021502	SLOTTED AND CASTLE HEXAGON NUTS M8 DIN980	4.00000
4	C023100	UNI 6593 LARGE WASHER M8 - 8,5x24x2	4.00000
5	C030759	S500 HYDRAULIC DISTRIBUTOR >07-2012 WITH VALVES	1.00000
6	C033001	MALE-MALE CONNECTOR 3/8" G - 12 L	6.00000
7	C033010	MALE-MALE CONNECTOR 3/8" G - 15L	4.00000
8	C281647	BUCHER DISTRIBUTOR SUPPORT	1.00000



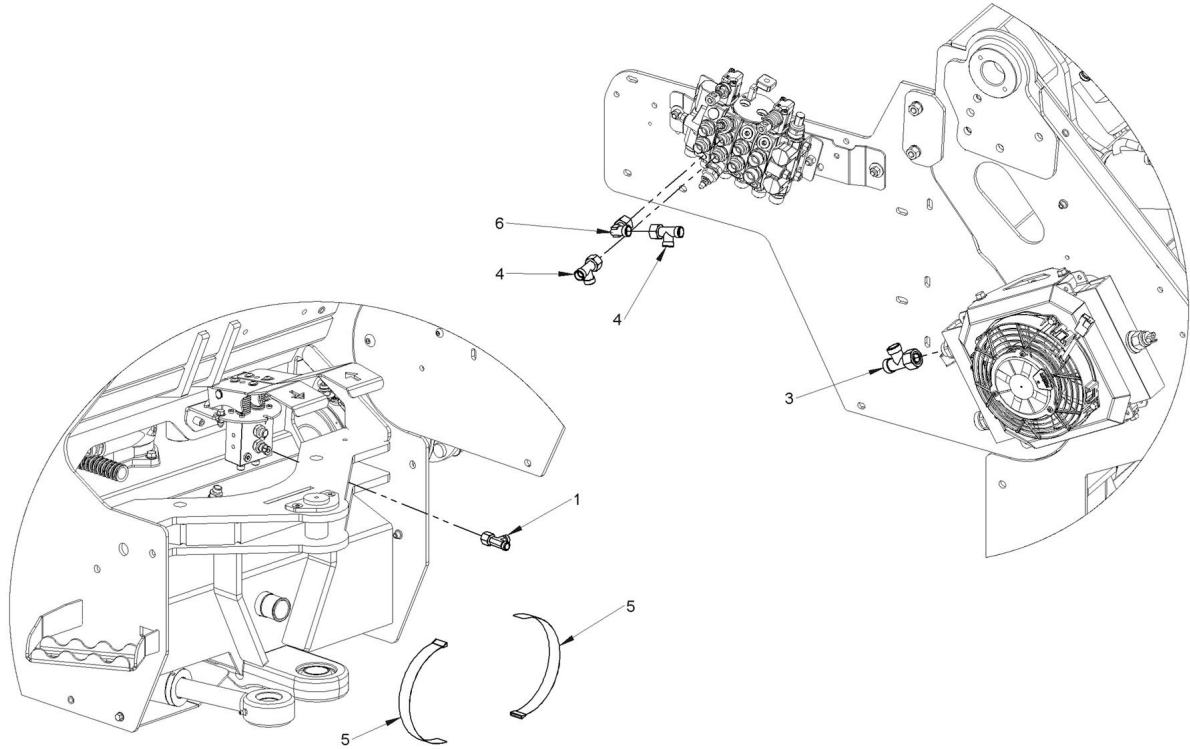
Component list [TAV. 18 OIL COOLER]

Pos.	Code	Description	Q.ty
1	C020541	ISO 7380 M8x20 HEX SOCKET OVAL HEAD SCREW	1.00000
2	C020546	ISO 7380 M6x25 HEX SOCKET OVAL HEAD SCREW	2.00000
3	C021502	SLOTTED AND CASTLE HEXAGON NUTS M8 DIN980	1.00000
4	C023100	UNI 6593 LARGE WASHER M8 - 8,5x24x2	1.00000
5	C028294	THREAD INSERT M6	2.00000
6	C029052	Ø30 RUBBERED INOX BELT W/HOLE Ø11	1.00000
7	C030606	THERMOSWITCH 50-60° M22x1,5	1.00000
8	C033004	MALE-MALE CONNECTOR 3/4" G - 22L	1.00000
9	C033020	MALE-MALE CONNECTOR 3/4" G - 15L	1.00000



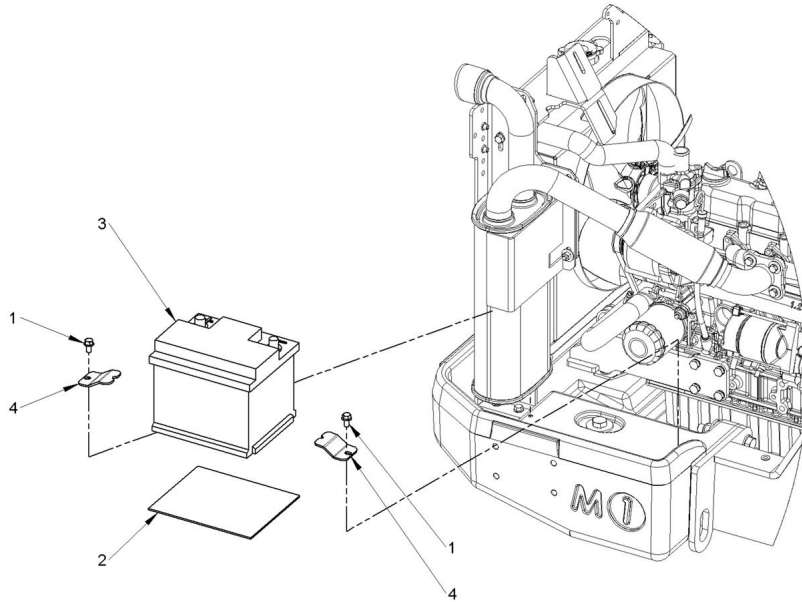
Component list [TAV. 19 WHEEL MOTORS FITTINGS]

Pos.	Code	Description	Q.ty
1	C033024	90° ELBOW SW. F 12L - M 12L	2.00000
2	C033032	TEE FITTING SW.F-M-M 12L	2.00000
3	C033035	TEE FITTING SW.F-M-M 15L	1.00000
4	C033083	TEE FITTING SW.F-M-M 16S	1.00000
5	C033085	TEE FITTING SW.F-M-M 8L	3.00000
6	C033086	TEE FITTING M-SW.F-M 8L	1.00000
7	C033131	90° ELBOW SW. F 8L - M 89L	3.00000
8	C035300	80 CM BLACK BELT WITH CLAMP	2.00000



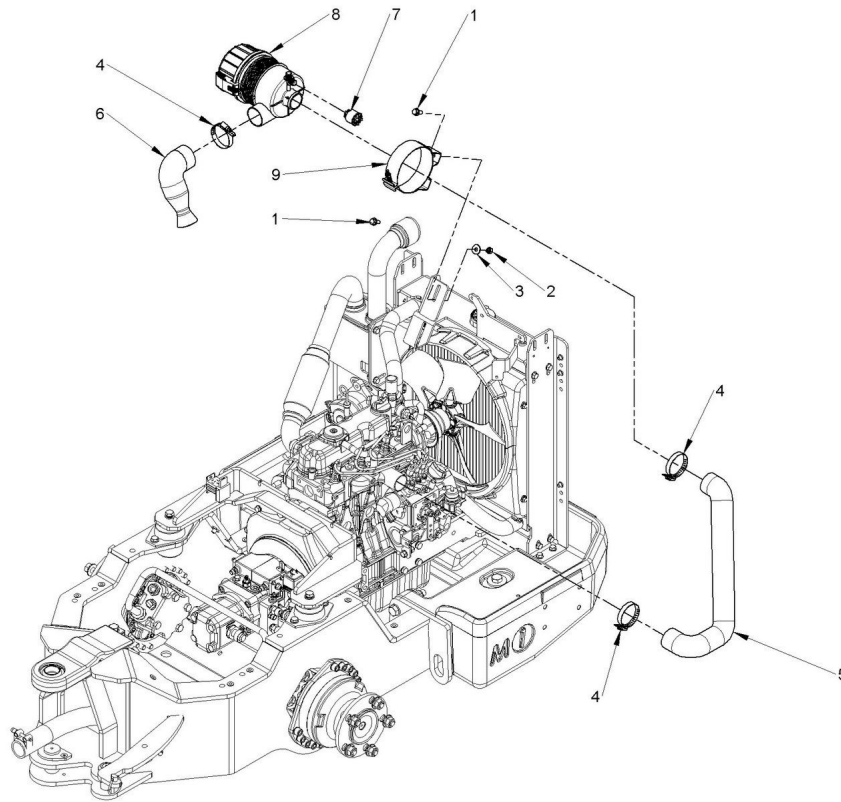
Component list [TAV. 20 VALVE BANK FITTINGS]

Pos.	Code	Description	Q.ty
1	C033085	TEE FITTING SW.F-M-M 8L	3.00000
2	C033086	TEE FITTING M-SW.F-M 8L	1.00000
3	C033035	TEE FITTING SW.F-M-M 15L	1.00000
4	C033032	TEE FITTING SW.F-M-M 12L	2.00000
5	C035300	80 CM BLACK BELT WITH CLAMP	2.00000
6	C033024	90° ELBOW SW. F 12L - M 12L	2.00000
7	C033131	90° ELBOW SW. F 8L - M 89L	3.00000
8	C033083	TEE FITTING SW.F-M-M 16S	1.00000



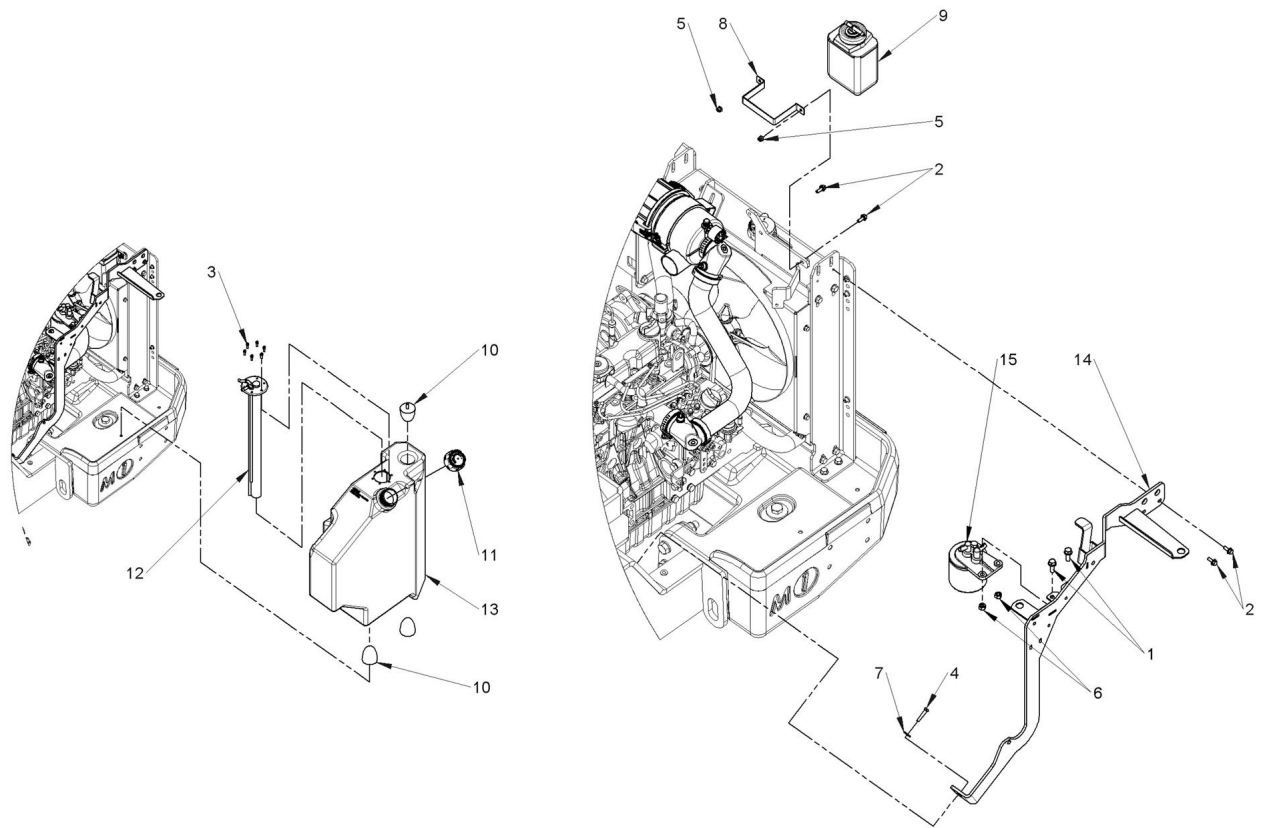
Component list [TAV. 21 BATTERY]

Pos.	Code	Description	Q.ty
1	C019201	DIN 6921 M8x16 FLANGED HEAD SCREW	2.00000
2	C029253	SILENT BLOCK RUBBER PANNEL 210x175x3	1.00000
3	C036433	BATTERY 12V 44 AH	1.00000
4	C284419	BATTERY BRACKET	2.00000



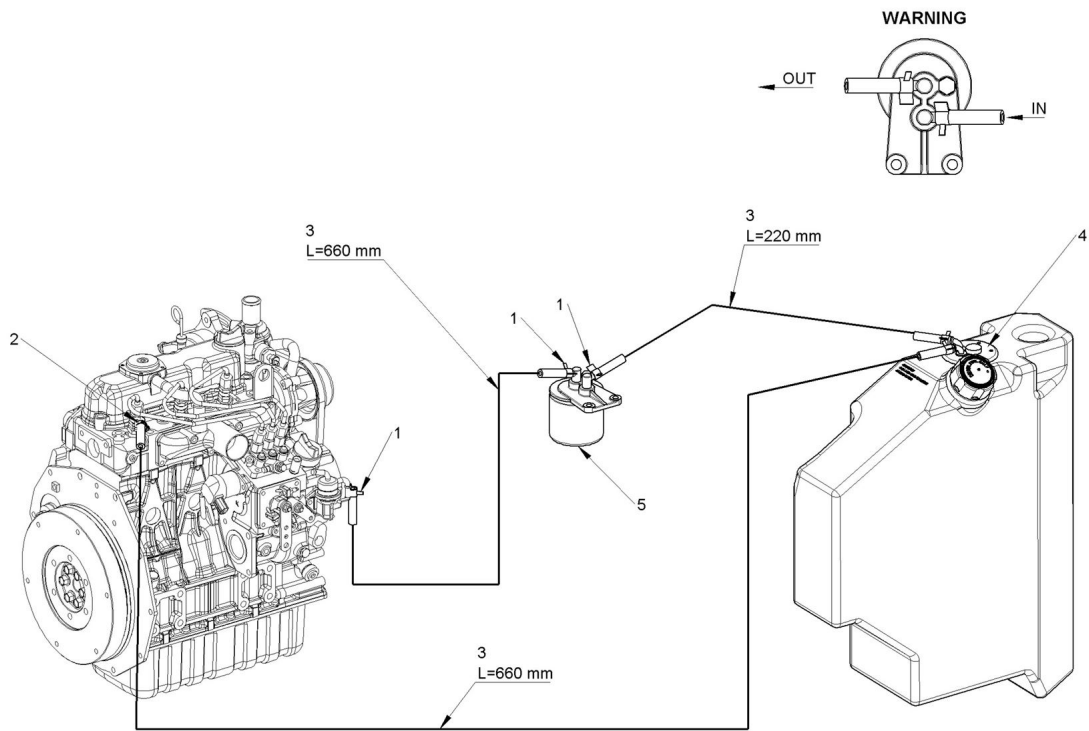
Component list [TAV. 22 AIR FILTER]

Pos.	Code	Description	Q.ty
1	C019202	DIN 6921 M8x20 FLANGED HEAD SCREW	2.00000
2	C021502	SLOTTED AND CASTLE HEXAGON NUTS M8 DIN980	2.00000
3	C023100	UNI 6593 LARGE WASHER M8 - 8,5x24x2	2.00000
4	C029031	STAINLESS STEEL CLAMP 40-60 BELT 12	3.00000
5	C036063	AIR INTAKE RUBBER HOSE D1305	1.00000
6	C036065	AIR INTAKE SILENCER	1.00000
7	C036654	AIR FILTER PRESSURE SWITCH	1.00000
8	C039054	4" AIR FILTER BODY	1.00000
9	C039151	METAL BELT FOR 4" AIR FILTER	1.00000



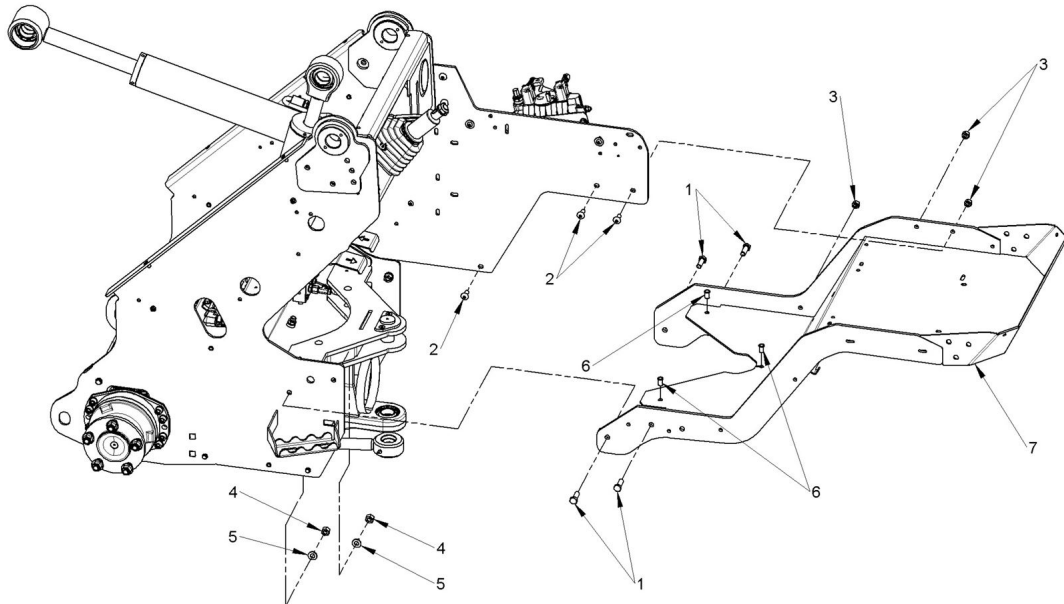
Component list [TAV. 23 FUEL TANK]

Pos.	Code	Description	Q.ty
1	C019203	DIN 6921 M8x25 FLANGED HEAD SCREW	2.00000
2	C019211	DIN 6921 M6x16 FLANGED HEAD SCREW	4.00000
3	C020036	UNI EN ISO 4762 M5X16 HEX SOCKET HEAD CAP SCREW	6.00000
4	C020053	UNI 5739 M6x30 HEX HEAD SCREW	1.00000
5	C021104	UNI 7473 SELF-LOCKING NUT M6	2.00000
6	C021502	SLOTTED AND CASTLE HEXAGON NUTS M8 DIN980	2.00000
7	C023110	UNI 6593 LARGE WASHER M6 - 6,5x18x1,5	1.00000
8	C034090	COOLANT TANK BRACKET	1.00000
9	C034091	COOLANT TANK	1.00000
10	C035139	SILENT BLOCK T-50 Ø50 H=58 M8x20 MALE THREAD	3.00000
11	C038723	FUEL CUP, NO KEY	1.00000
12	C038758	FLOATING FUEL SENSOR L=515	1.00000
13	C220490	34 LT FUEL TANK MULTIONE 7-8 SERIE	1.00000
14	C284650	REAR LEFT PLASTIC CARTER SUPPORT	1.00000
15	FF162/15224-4301-3	KUBOTA D1305 V1505 COMPLETE FILTER	1.00000



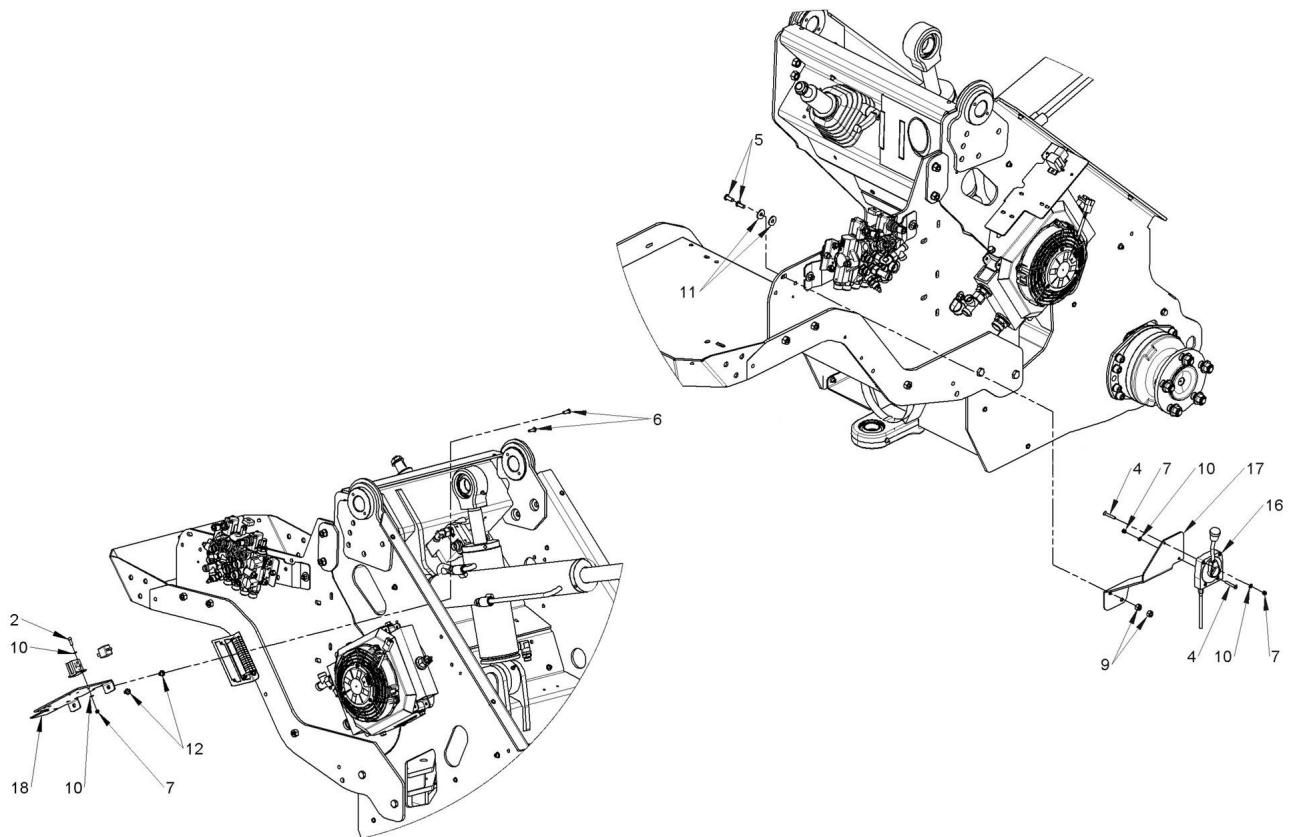
Component list [TAV. 24 FUEL HOSES]

Pos.	Code	Description	Q.ty
1	C029036	SPRING CLAMP 12-14	5.00000
2	C029038	STEEL BAND 10-16	1.00000
3	C035003	FUEL HOSE 7x13	6.00000
4	C038758	FLOATING FUEL SENSOR L=515	1.00000
5	FF162/15224-4301-3	KUBOTA D1305 V1505 COMPLETE FILTER	1.00000



Component list [TAV. 25 SEAT SUPPORT]

Pos.	Code	Description	Q.ty
1	C020133	HEXAGON HEAD BOLT 10.9 M12x35 ISO 4017	4.00000
2	C020550	ISO 7380 M10x25 HEX SOCKET OVAL HEAD SCREW	3.00000
3	C021503	SLOTTED AND CASTLE HEXAGON NUTS M10 DIN980	3.00000
4	C021504	SLOTTED AND CASTLE HEXAGON NUTS M12 DIN980	4.00000
5	C023102	UNI 6592 FLAT WASHER M12 - 13x24x2,5	4.00000
6	C028270	THREAD INSERT M8	3.00000
7	C281763	FIXING BASE SEAT M1 6->10	1.00000



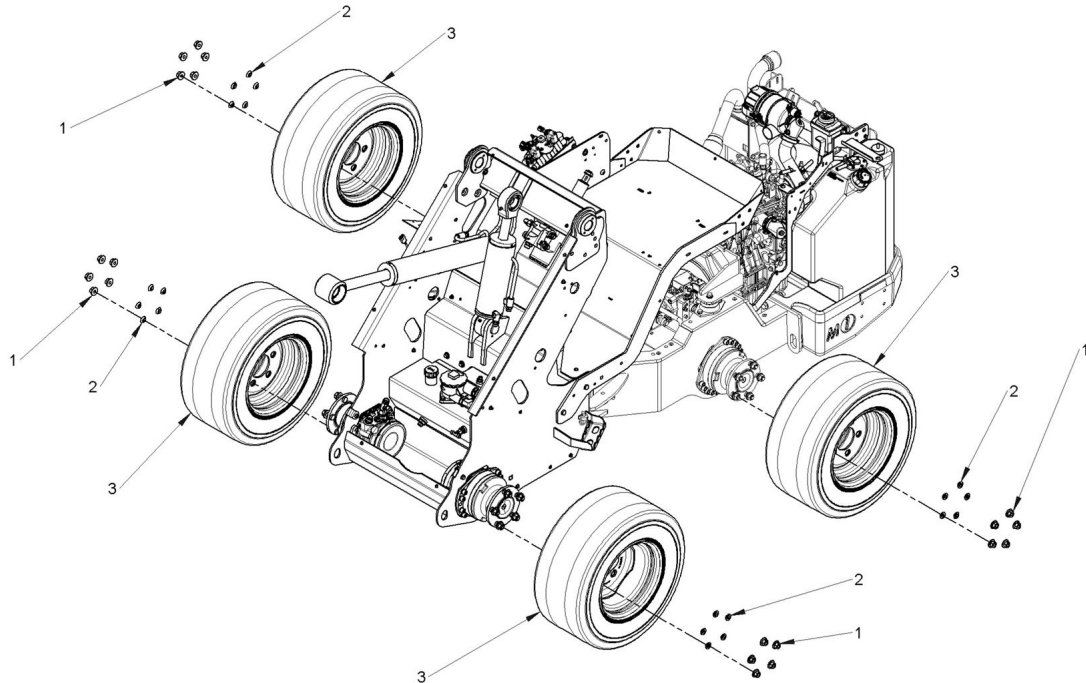
Component list [TAV. 26 RELAYS SUPPORT]

Pos.	Code	Description	Q.ty
1	C019212	DIN 6921 M6x20 FLANGED HEAD SCREW	2.00000
2	C020036	UNI EN ISO 4762 M5X16 HEX SOCKET HEAD CAP SCREW	1.00000
3	C020283	UNI EN ISO 4762 M4x16 HEX SOCKET HEAD CAP SCREW	2.00000
4	C020291	UNI 5933 M5x35 HEX SOCKET COUNTERSUNK CAP SCREW	2.00000
5	C020541	ISO 7380 M8x20 HEX SOCKET OVAL HEAD SCREW	2.00000
6	C020548	ISO 7380 M6x20 HEX SOCKET OVAL HEAD SCREW	2.00000
7	C021102	UNI 7473 SELF-LOCKING NUT M5	3.00000
8	C021103	UNI 7473 SELF-LOCKING NUT M4	2.00000
9	C021502	SLOTTED AND CASTLE HEXAGON NUTS M8 DIN980	2.00000
10	C023072	UNI 6592 FLAT WASHER M5 - 5,3x10x1	4.00000
11	C023100	UNI 6593 LARGE WASHER M8 - 8,5x24x2	2.00000
12	C028294	THREAD INSERT M6	4.00000
13	C038149	12 V, 30 RELAY W/FUSE	1.00000
14	C038152	12 V, 70 A MAXIRELAY	1.00000
15	C038157	8 LINES FUSE BOX	1.00000
16	C038714	HAND THROTTLE LEVER AND CABLE	1.00000
17	C283293	ACCELERATOR SUPPORT	1.00000



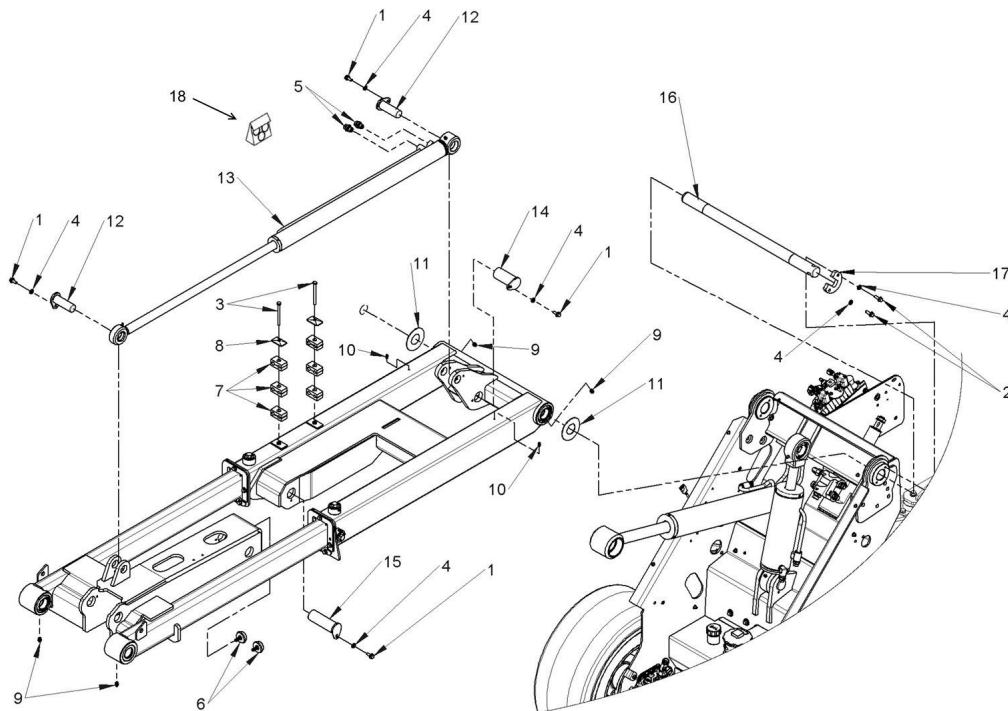
Draft and part list report
Serial n / code M355247 / C962025
Description MULTIONE 7.2K T4F-STAGE5

18	C281639	RELAY SUPPORT	1.00000
19	C281852	FUSE SUPPORT	1.00000



Component list [TAV. 27 WHEELS]

Pos.	Code	Description	Q.ty
1	C021135	FLANGED NUT M14X1.5 FOR POCLAIN WHEEL MOTOR	20.00000
2	C023500	WASHER LIMES D.14 FOR GT WHEEL SCREWS	20.00000
3	C040075	23X10.50-12 TRACTOR WHEEL 5 HOLES ET-25	4.00000



Component list [TAV. 28 BOOM]

Pos.	Code	Description	Q.ty
1	C019202	DIN 6921 M8x20 FLANGED HEAD SCREW	4.00000
2	C019203	DIN 6921 M8x25 FLANGED HEAD SCREW	2.00000
3	C020082	UNI 5739 M8x90 HEX HEAD SCREW	2.00000
4	C023041	M8 NORD LOCK WASHER	6.00000
5	C033001	MALE-MALE CONNECTOR 3/8" G - 12 L	2.00000
6	C035078	RUBBER END	2.00000
7	C035119	DOUBLE HOSE BARCKET, Ø12 AND Ø15	6.00000
8	C035140	UPPER PLATE FOR DOUBLE HOSE HOLDER	2.00000
9	C090030	GREASER NIPPLE M10x1 UNI 7663A	4.00000
10	C090032	GREASER M6x1 UNI 7663A	2.00000
11	C274024	Ø88-Ø40,5 TH 1,5 SPACER	2.00000
12	C281704	Ø30x85 PIN	2.00000
13	C281745	TELESCOPIC BOOM CYLINDER	1.00000
14	C281765	FLANGED PIN Ø40 L=90	1.00000
15	C281799	PIN Ø40 L=120	1.00000
16	C285250	BOOM PIN Ø40x658	1.00000
17	C285251	STOP ARM PIN	1.00000

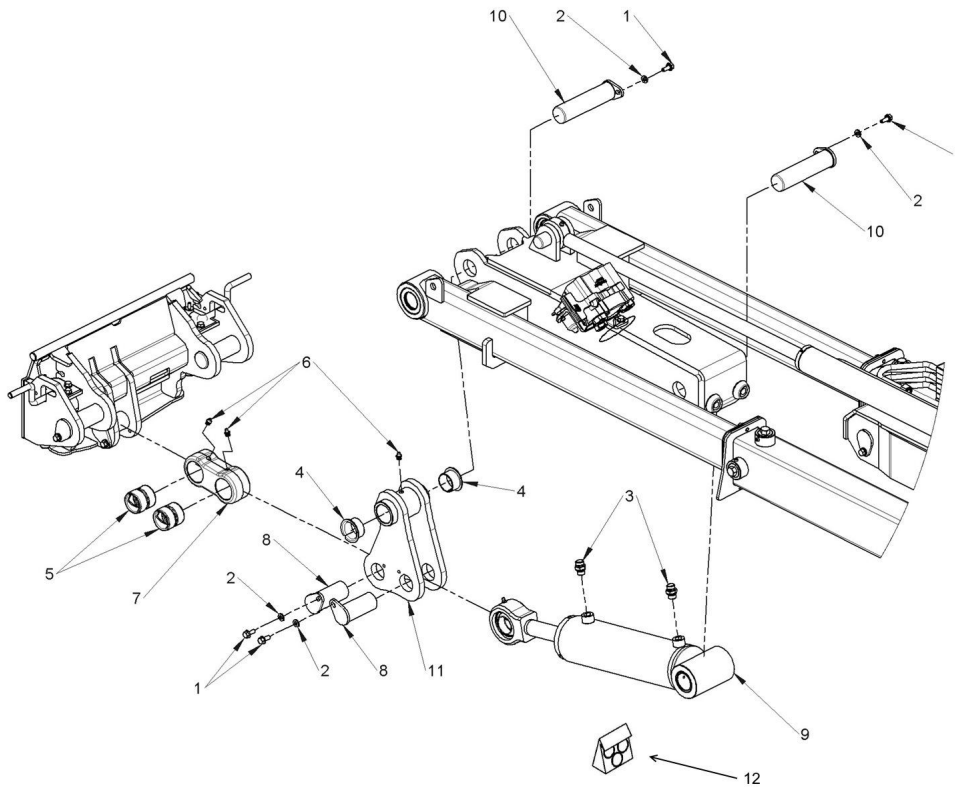


Draft and part list report
Serial n / code M355247 / C962025
Description MULTIONE 7.2K T4F-STAGE5

18 C036805

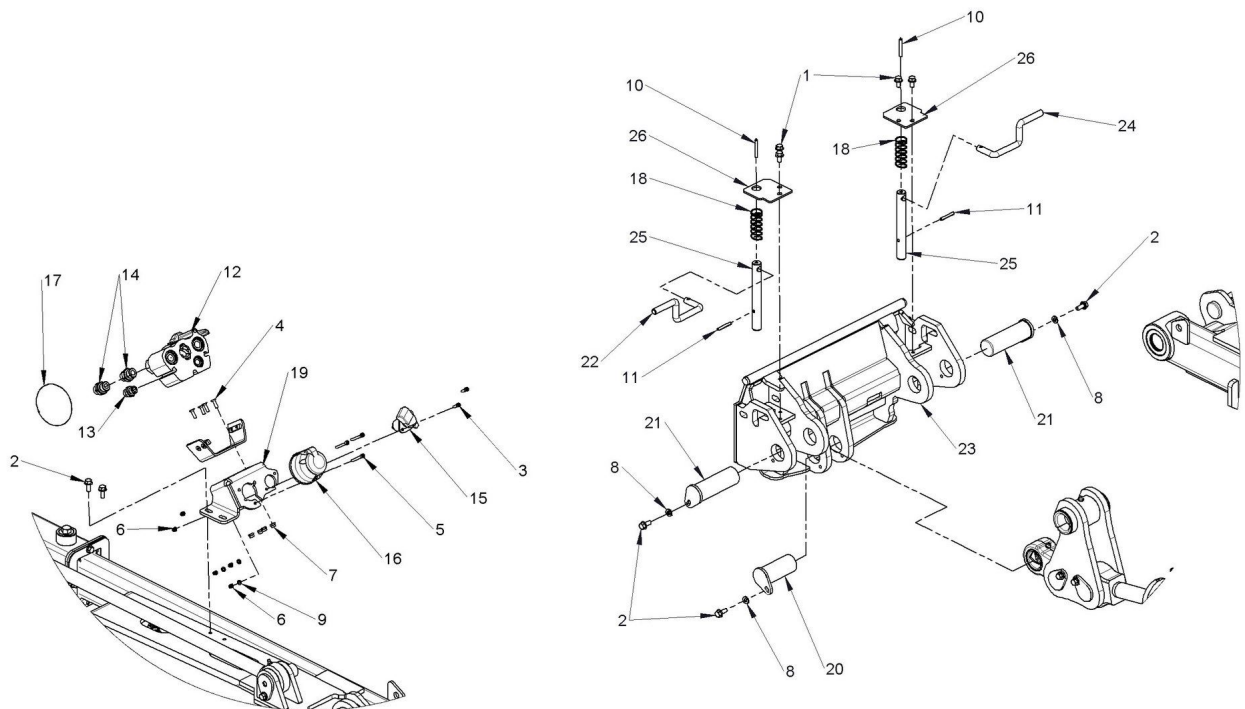
SEAL KIT FOR CYLINDER BORE 50 ROD 30

1.00000



Component list [TAV. 29 TILTING PLATE]

Pos.	Code	Description	Q.ty
1	C019202	DIN 6921 M8x20 FLANGED HEAD SCREW	4.00000
2	C023041	M8 NORD LOCK WASHER	4.00000
3	C033001	MALE-MALE CONNECTOR 3/8" G - 12 L	2.00000
4	C037641	FLANGED BUSHING Ø40x44x55x25	2.00000
5	C037689	SIBO BUSHING 50x40x50	2.00000
6	C090030	GREASER NIPPLE M10x1 UNI 7663A	3.00000
7	C281713	COUPLING PLATE ROD	1.00000
8	C281765	FLANGED PIN Ø40 L=90	2.00000
9	C281773	90-35-236 TILT PLATE CYLINDER M1 7-8 SD 7-8	1.00000
10	C281779	PIN Ø40 L=155	2.00000
11	C281780	FIRST TILT LEVER	1.00000
12	C036821	CYLINDER SEAL KIT BORE 90 ROD 35	1.00000



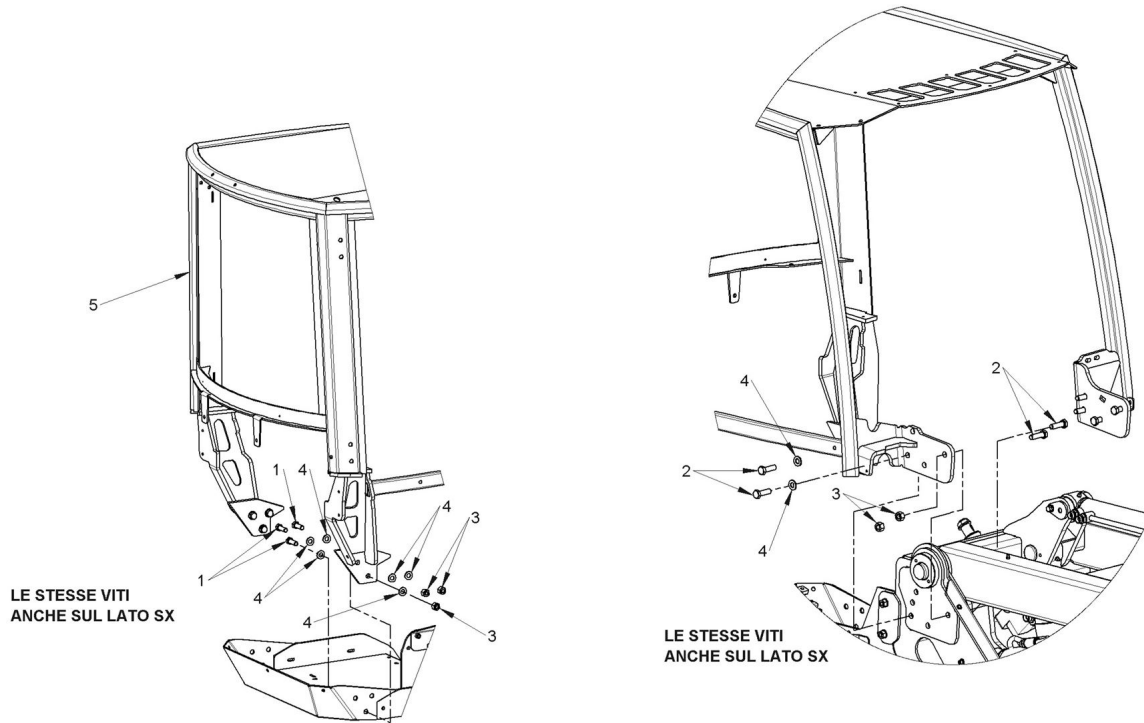
Component list [TAV. 30 COUPLING PLATE]

Pos.	Code	Description	Q.ty
1	C019201	DIN 6921 M8x16 FLANGED HEAD SCREW	4.00000
2	C019202	DIN 6921 M8x20 FLANGED HEAD SCREW	5.00000
3	C020036	UNI EN ISO 4762 M5X16 HEX SOCKET HEAD CAP SCREW	2.00000
4	C020187	UNI 5933 M6x20 HEX SOCKET COUNTERSUNK CAP SCREW	4.00000
5	C020267	UNI EN ISO 4762 M5x40 HEX SOCKET HEAD CAP SCREW	3.00000
6	C021102	UNI 7473 SELF-LOCKING NUT M5	5.00000
7	C021104	UNI 7473 SELF-LOCKING NUT M6	4.00000
8	C023041	M8 NORD LOCK WASHER	3.00000
9	C023072	UNI 6592 FLAT WASHER M5 - 5,3x10x1	3.00000
10	C028249	ISO 2338 PIN Ø6x45	2.00000
11	C028267	SPRING TYPE STRAIGHT PIN Ø6x40 UNI 6875	2.00000
12	C030497	HYDRAULIC MULTICONNECTOR, MACHINE 3 WAY	1.00000
13	C033001	MALE-MALE CONNECTOR 3/8" G - 12 L	1.00000
14	C033003	MALE-MALE CONNECTOR 1/2" G - 15L	2.00000
15	C036431	12V 3 POLES FEMALE SOCKET	1.00000
16	C038193	7 POLES SOCKET, MACHINE SIDE	1.00000
17	C038772	LATCH	1.00000



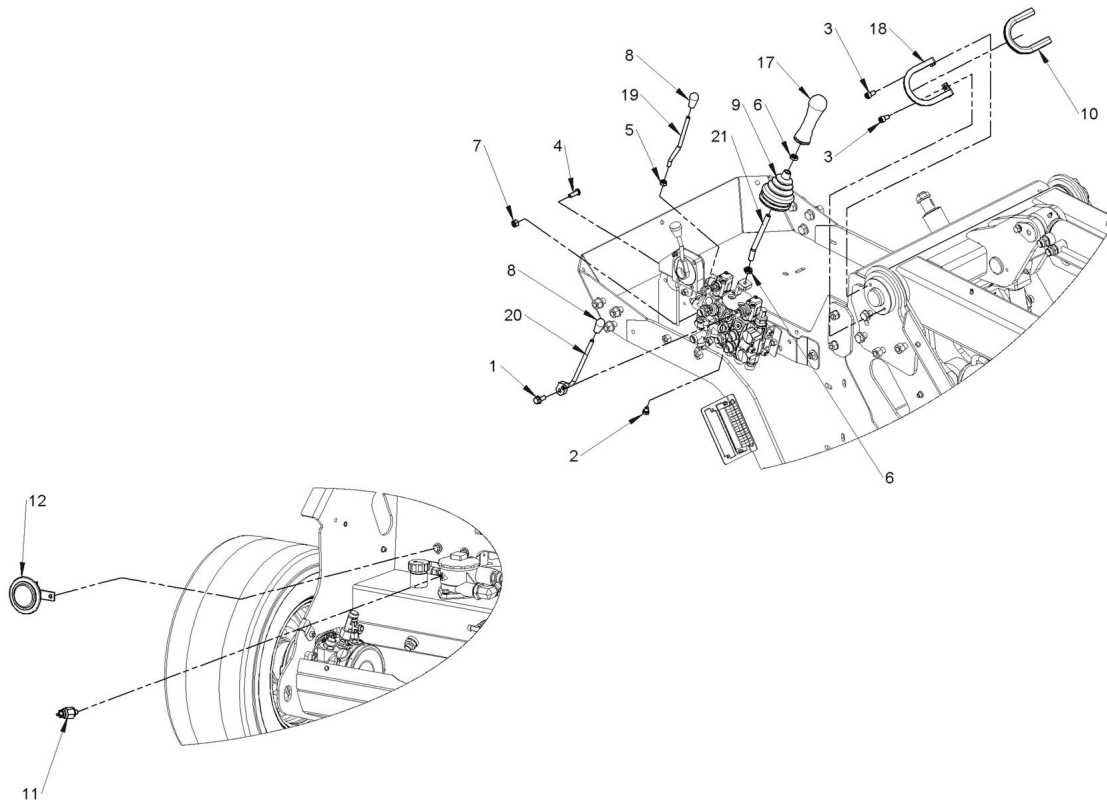
Draft and part list report
Serial n / code M355247 / C962025
Description MULTIONE 7.2K T4F-STAGE5

18	C220330	COMPRESSION SPRING	2.00000
19	C281640	MULTICONNECTOR PLATE SUPPORT	1.00000
20	C281765	FLANGED PIN Ø40 L=90	1.00000
21	C281799	PIN Ø40 L=120	2.00000
22	C281827	LEFT LEVER, COUPLING PLATE	1.00000
23	C281860	COUPLING PLATE	1.00000
24	C281869	RIGHT LEVER, COUPLING PLATE	1.00000
25	C281870/L	LOCKIN ATTACHMENTS PIN	2.00000
26	C281871	CENTERING PIN PLATE	2.00000



Component list [TAV. 31 ROLLBAR]

Pos.	Code	Description	Q.ty
1	C020133	HEXAGON HEAD BOLT 10.9 M12x35 ISO 4017	6.00000
2	C020139	HEXAGON HEAD SCREW M12x40 UNI 5739	8.00000
3	C021504	SLOTTED AND CASTLE HEXAGON NUTS M12 DIN980	10.00000
4	C023102	UNI 6592 FLAT WASHER M12 - 13x24x2,5	16.00000
5	C282200	ROLL-BAR FRAME	1.00000



Component list [TAV. 33 HORN AND JOYSTICK]

Pos.	Code	Description	Q.ty
1	C019202	DIN 6921 M8x20 FLANGED HEAD SCREW	1.00000
2	C020088	UNI 5739 M8x10 HEX HEAD SCREW	1.00000
3	C020230	UNI EN ISO 4762 M8x16 HEX SOCKET HEAD CAP SCREW	2.00000
4	C020543	ISO 7380 M8x25 HEX SOCKET OVAL HEAD SCREW	1.00000
5	C021010	NUT E 6S M8 UNI 5588	1.00000
6	C021013	HEXAGON NUT M10 UNI 5589	2.00000
7	C021502	SLOTTED AND CASTLE HEXAGON NUTS M8 DIN980	1.00000
8	C028029	CONICAL BALL KNOBS WITH M8 THREAD	2.00000
9	C028050	RUBBER JOYSTICK PROTECTION 72X11X83	1.00000
10	C035002	RUBBER PROFILE 10X14	1.00000
11	C036651	PRESSURE SWITCH 1/8" GAS	1.00000
12	C038166	HORN DEVICE	1.00000
16	C043005	GASOLIO PER AUTOTRAZIONE	6.00000
17	C271683	HANDLER FOR MANUAL DISTRIBUTOR	1.00000
18	C281605	HOSE JUMPER	1.00000
19	C281657/L	EXTENSIBLE BOOM COMMAND LEVER	1.00000
20	C285896	HYDRAULIC OUTLET COMMAND LEVER 4.2-5.2-7.2-EZ	1.00000

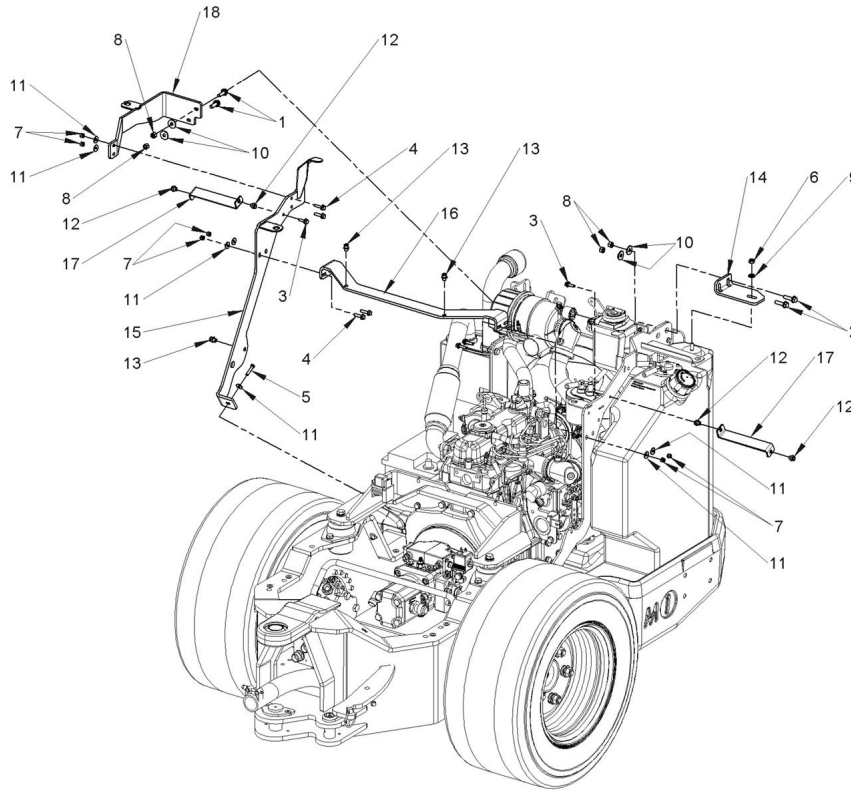


Draft and part list report
Serial n / code M355247 / C962025
Description MULTIONE 7.2K T4F-STAGE5

21 C282288/L

JOYSTICK BAR

1.00000



Component list [TAV. 34 REAR SUPPORT]

Pos.	Code	Description	Q.ty
1	C019203	DIN 6921 M8x25 FLANGED HEAD SCREW	2.00000
2	C019204	DIN 6921 M8x30 FLANGED HEAD SCREW	2.00000
3	C019212	DIN 6921 M6x20 FLANGED HEAD SCREW	2.00000
4	C019213	DIN 6921 M6x25 FLANGED HEAD SCREW	6.00000
5	C020053	UNI 5739 M6x30 HEX HEAD SCREW	1.00000
6	C021010	NUT E 6S M8 UNI 5588	1.00000
7	C021104	UNI 7473 SELF-LOCKING NUT M6	6.00000
8	C021502	SLOTTED AND CASTLE HEXAGON NUTS M8 DIN980	4.00000
9	C023041	M8 NORD LOCK WASHER	1.00000
10	C023100	UNI 6593 LARGE WASHER M8 - 8,5x24x2	4.00000
11	C023110	UNI 6593 LARGE WASHER M6 - 6,5x18x1,5	7.00000
12	C028271	THREAD INSERT M6	4.00000
13	C028291	THREAD INSERT M6	3.00000
14	C281642	DIESEL TANK LOCKER	1.00000
15	C284655	REAR RIGHT PLASTIC COVER SUPPORT	1.00000
16	C284659	REAR CENTER PLASTIC COVER SUPPORT REV.01	1.00000
17	C284666	SIDE PLASTIC COVER SUPPORT	2.00000

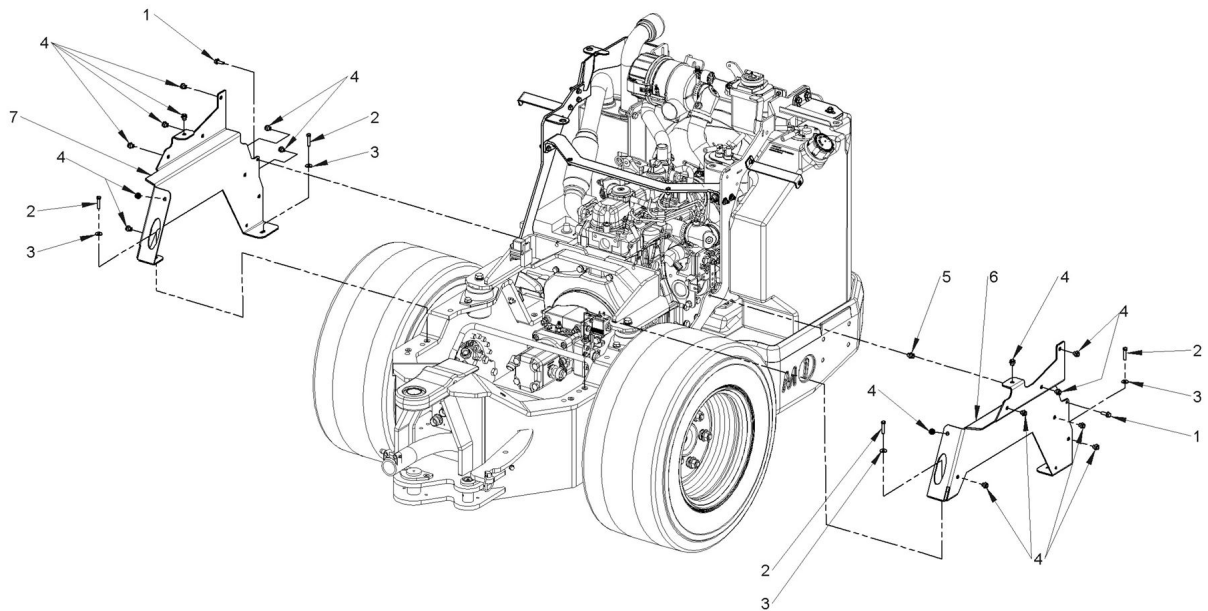


Draft and part list report
Serial n / code M355247 / C962025
Description MULTIONE 7.2K T4F-STAGE5

18 C284668

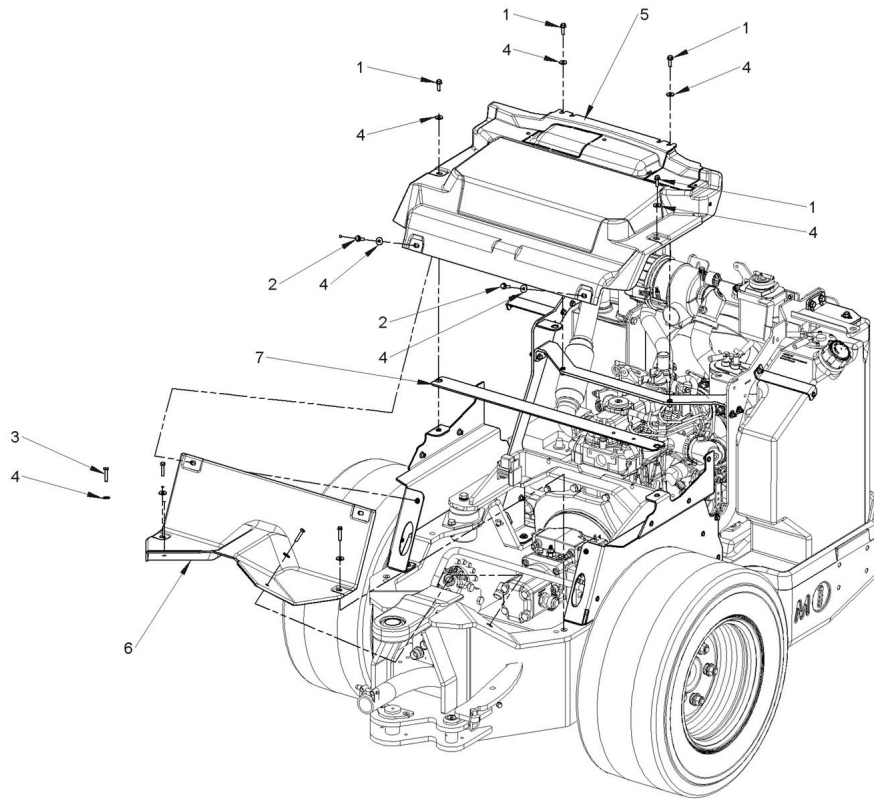
MUFFLER SIDE PLASTIC COVER SUPPORT

1.00000



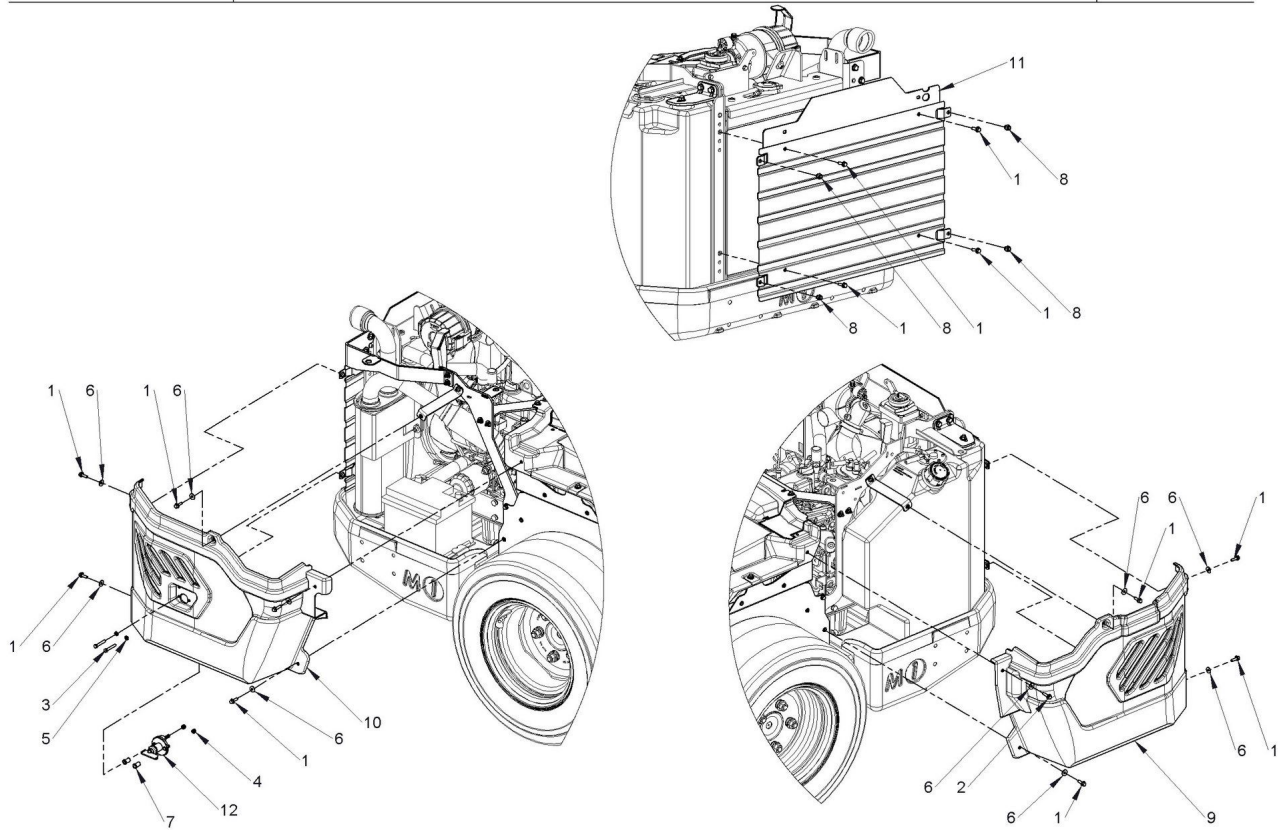
Component list [TAV. 35 REAR SIDE MUDGUARD]

Pos.	Code	Description	Q.ty
1	C019212	DIN 6921 M6x20 FLANGED HEAD SCREW	2.00000
2	C020053	UNI 5739 M6x30 HEX HEAD SCREW	4.00000
3	C023110	UNI 6593 LARGE WASHER M6 - 6,5x18x1,5	4.00000
4	C028271	THREAD INSERT M6	16.00000
5	C028291	THREAD INSERT M6	1.00000
6	C281875	LEFT MUDGUARD SUPPORT	1.00000
7	C281876	RIGHT MUDGUARD COVER SUPPORT	1.00000



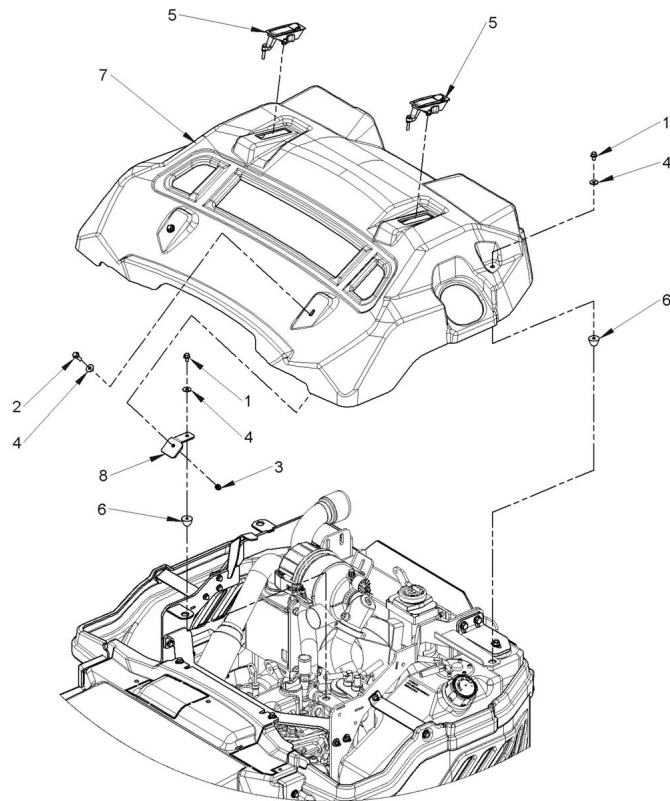
Component list [TAV. 36 OVER ARTICULATION AND PUMPS COVER]

Pos.	Code	Description	Q.ty
1	C019212	DIN 6921 M6x20 FLANGED HEAD SCREW	4.00000
2	C019213	DIN 6921 M6x25 FLANGED HEAD SCREW	2.00000
3	C020053	UNI 5739 M6x30 HEX HEAD SCREW	4.00000
4	C023110	UNI 6593 LARGE WASHER M6 - 6,5x18x1,5	10.00000
5	C041419	OVER PUMPS COVER	1.00000
6	C041420	OVER ARTICULATION COVER	1.00000
7	C285214	STEEL MUDGUARD JOINT ROD	1.00000



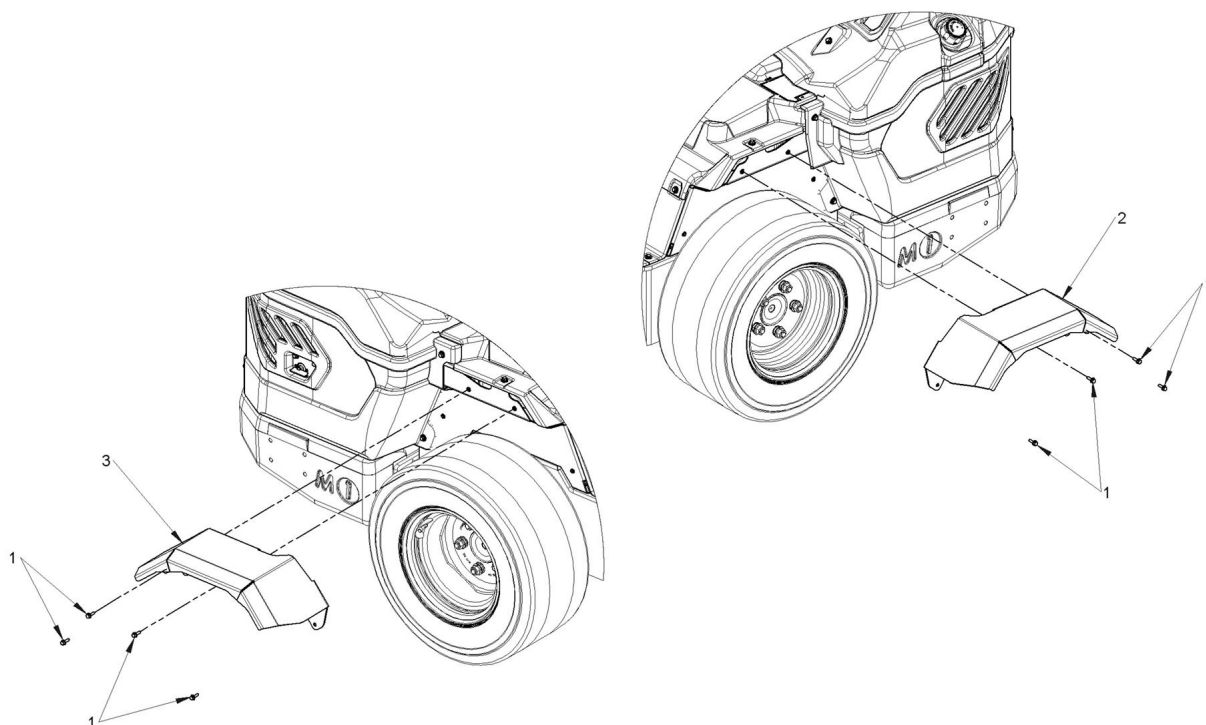
Component list [TAV. 37 REAR SIDE COVERS]

Pos.	Code	Description	Q.ty
1	C019212	DIN 6921 M6x20 FLANGED HEAD SCREW	12.00000
2	C019213	DIN 6921 M6x25 FLANGED HEAD SCREW	2.00000
3	C020055	UNI 5739 M6x40 HEX HEAD SCREW	2.00000
4	C021104	UNI 7473 SELF-LOCKING NUT M6	2.00000
5	C023090	UNI 6592 FLAT WASHER M6 - 6,4x12x1,6	2.00000
6	C023110	UNI 6593 LARGE WASHER M6 - 6,5x18x1,5	10.00000
7	C028270	THREAD INSERT M8	2.00000
8	C028271	THREAD INSERT M6	4.00000
9	C041421P	PE REAR LEFT SIDE COVER	1.00000
10	C041422P	PE REAR RIGHT SIDE COVER	1.00000
11	C283067	RADIATOR NET	1.00000
12	FF180/0034.0303	BATTERY SWITCH	1.00000



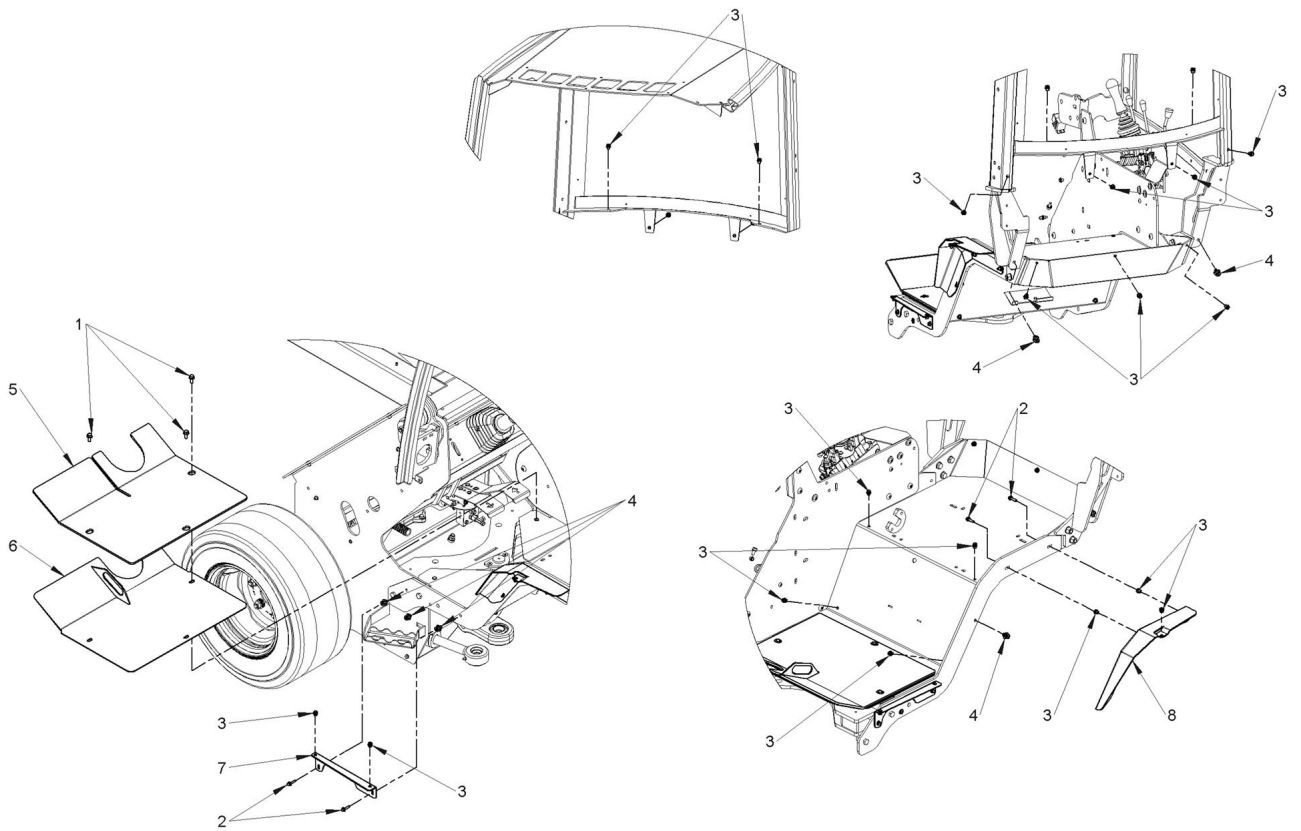
Component list [TAV. 38 OVER ENGINE COVER]

Pos.	Code	Description	Q.ty
1	C019210	DIN 6921 M6x10 FLANGED HEAD SCREW	4.00000
2	C019212	DIN 6921 M6x20 FLANGED HEAD SCREW	2.00000
3	C021104	UNI 7473 SELF-LOCKING NUT M6	2.00000
4	C023110	UNI 6593 LARGE WASHER M6 - 6,5x18x1,5	6.00000
5	C035045	LOCK HANDLE	2.00000
6	C035142	PARABOLIC SILENT BLOCK Ĩ24 H=16	4.00000
7	C041472P	PE ENGINE HOOD ASSY	1.00000
8	C282241	SILENT BLOCK BRACKET	2.00000



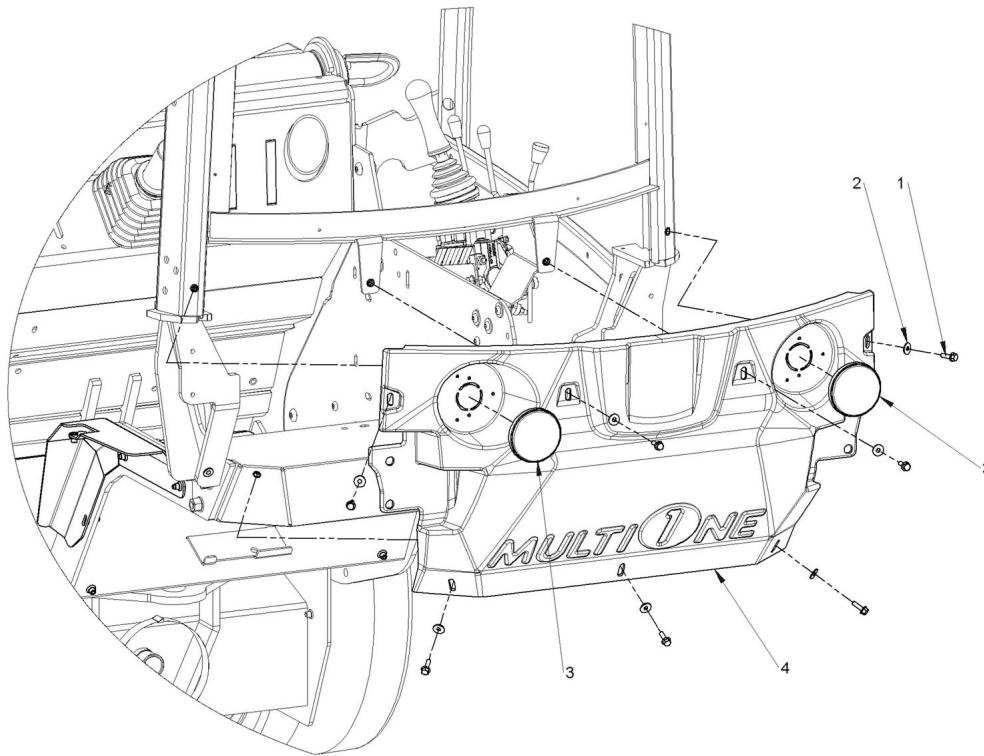
Component list [TAV. 39 REAR MUDGUARD]

Pos.	Code	Description	Q.ty
1	C019212	DIN 6921 M6x20 FLANGED HEAD SCREW	8.00000
2	C285020	REAR LEFT MUD GUARD M1 6-7-8	1.00000
3	C285021	REAR RIGHT MUD GUARD M1 6-7-8	1.00000



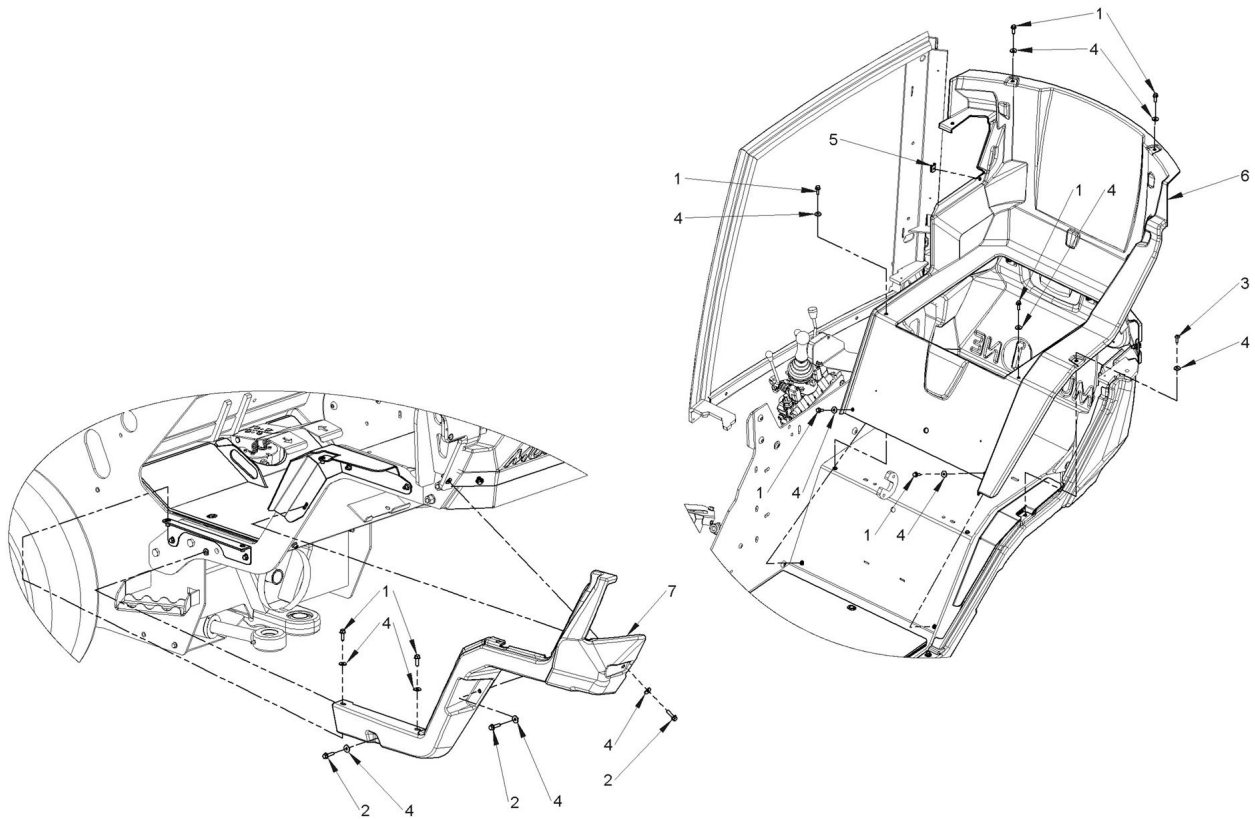
Component list [TAV. 40 FOOTREST]

Pos.	Code	Description	Q.ty
1	C019202	DIN 6921 M8x20 FLANGED HEAD SCREW	3.00000
2	C019213	DIN 6921 M6x25 FLANGED HEAD SCREW	4.00000
3	C028271	THREAD INSERT M6	18.00000
4	C028288	THREAD INSERT M6	6.00000
5	C029259	ROOF PADS FOR MULTIONE M1	1.00000
6	C281747	UNDER FEET PLATFORM	1.00000
7	C281894	SUPPORT FOR PLASTIC STEP FRAME M1 3->10	1.00000
8	C281895	UNDER SEAT COVER SUPPORT	1.00000



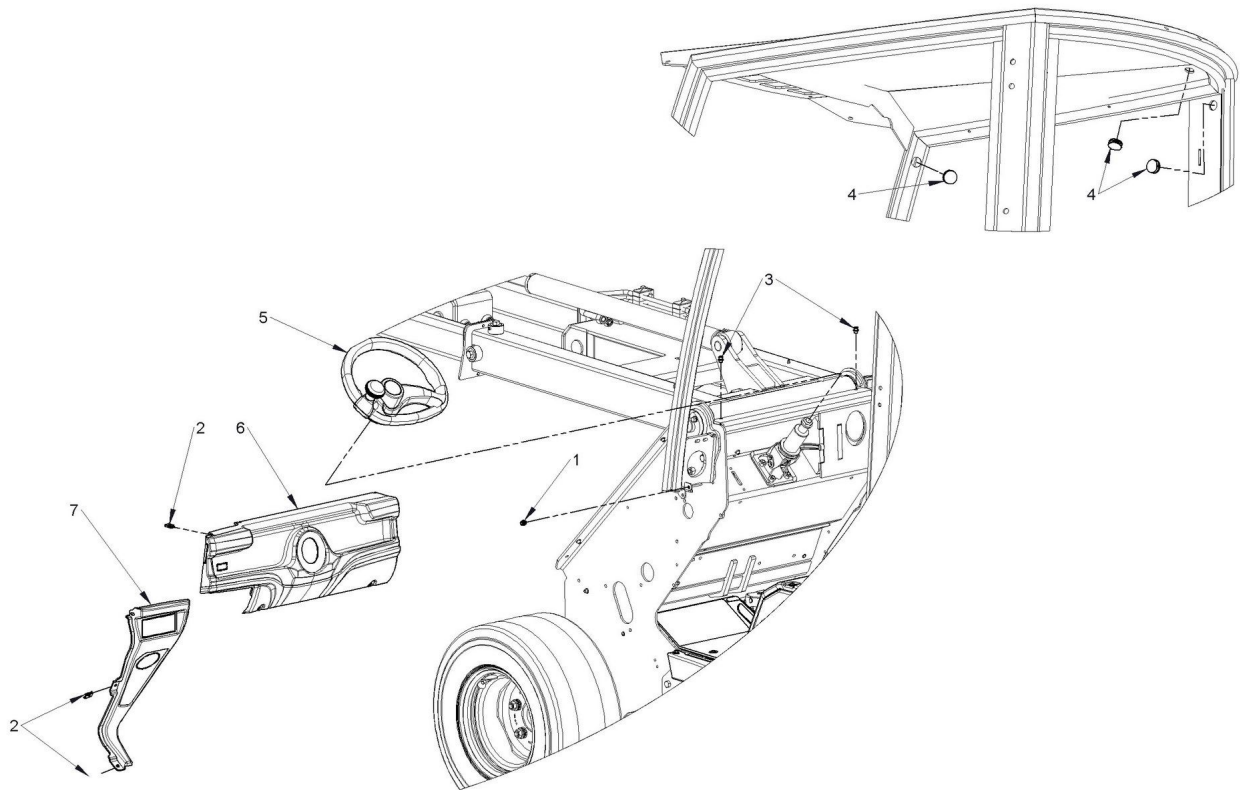
Component list [TAV. 41 BACK CABIN COVER]

Pos.	Code	Description	Q.ty
1	C019212	DIN 6921 M6x20 FLANGED HEAD SCREW	7.00000
2	C023110	UNI 6593 LARGE WASHER M6 - 6,5x18x1,5	7.00000
3	C034018	Ø80 RED RETRO REFLECTOR	2.00000
4	C041427P	PE BACK CABIN COVER W/OUT A/C	1.00000



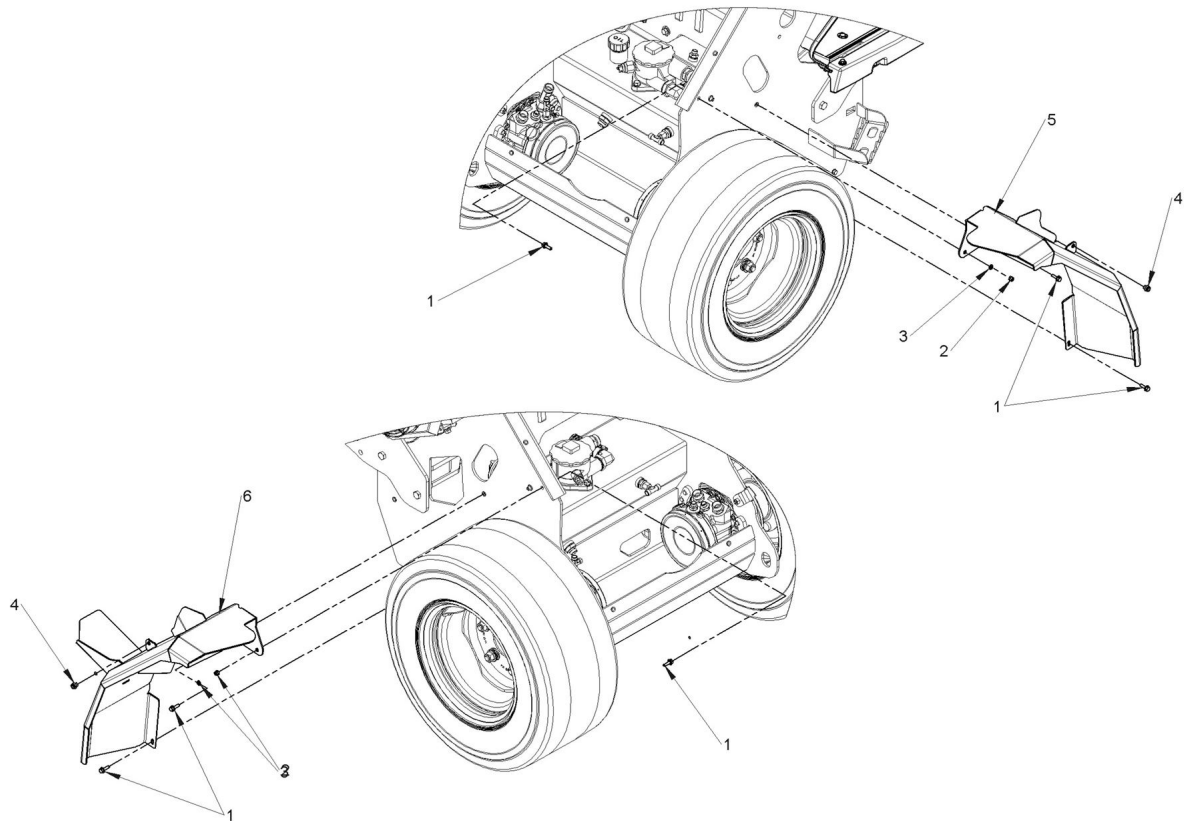
Component list [TAV. 42 UNDER SEAT COVER]

Pos.	Code	Description	Q.ty
1	C019212	DIN 6921 M6x20 FLANGED HEAD SCREW	8.00000
2	C019213	DIN 6921 M6x25 FLANGED HEAD SCREW	3.00000
3	C020548	ISO 7380 M6x20 HEX SOCKET OVAL HEAD SCREW	1.00000
4	C023110	UNI 6593 LARGE WASHER M6 - 6,5x18x1,5	12.00000
5	C028285	MULTITHREAD U-TYPE NUT M6	1.00000
6	C041437	UNDER SEAT COVER	1.00000
7	C041443P	PE LEFT DOOR SLAM	1.00000



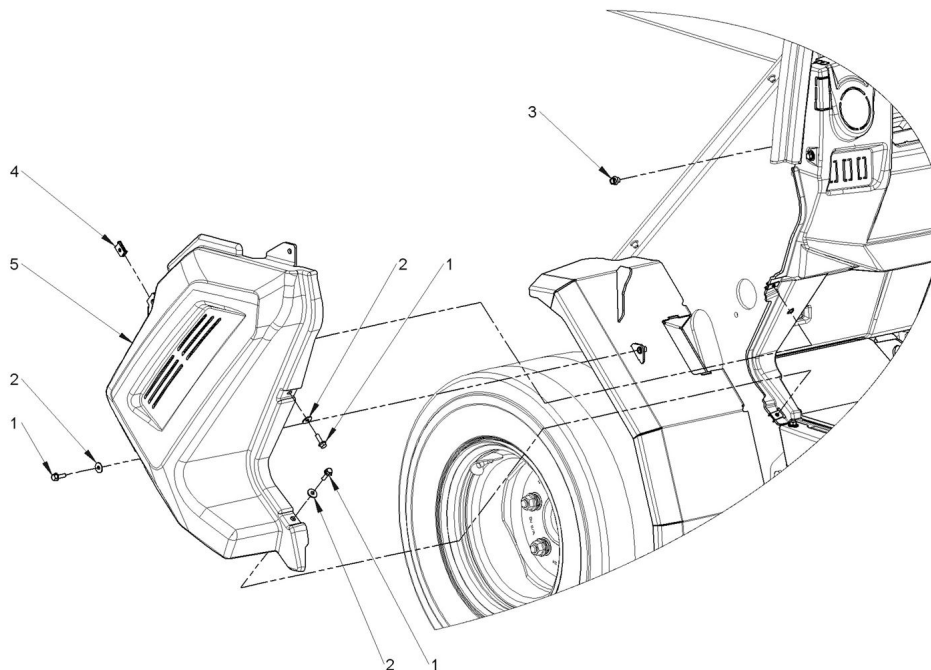
Component list [TAV. 43 FRONT DASHBOARD]

Pos.	Code	Description	Q.ty
1	C028271	THREAD INSERT M6	1.00000
2	C028285	MULTITHREAD U-TYPE NUT M6	3.00000
3	C028291	THREAD INSERT M6	2.00000
4	C036039	CLOSED FAIRLEAD Ø19	3.00000
5	C036466	STEERING WHEEL BLACK	1.00000
6	C041677	FRONT DASHBOARD NO/HEAT NEWGEN M1 6-10	1.00000
7	C041682	LOWER DOOR PROTECTION M1 6-10 NEWGEN	1.00000



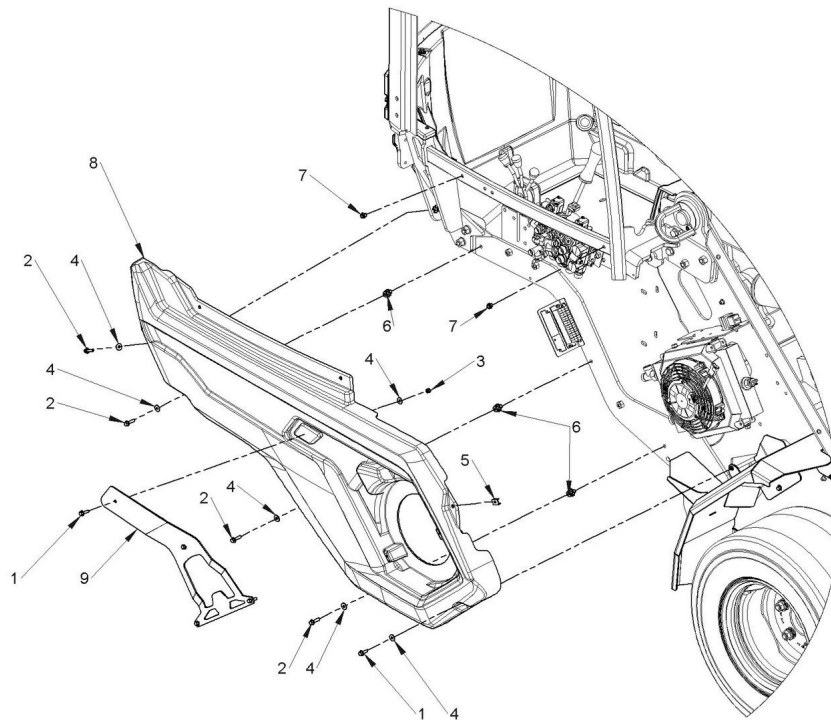
Component list [TAV. 44 FRONT MUDGUARDS]

Pos.	Code	Description	Q.ty
1	C019212	DIN 6921 M6x20 FLANGED HEAD SCREW	6.00000
2	C021104	UNI 7473 SELF-LOCKING NUT M6	2.00000
3	C023090	UNI 6592 FLAT WASHER M6 - 6,4x12x1,6	2.00000
4	C028271	THREAD INSERT M6	2.00000
5	C285018	FRONT LEFT MUD GUARD M1 6-7-8	1.00000
6	C285019	FRONT RIGHT MUD GUARD M1 6-7-8	1.00000



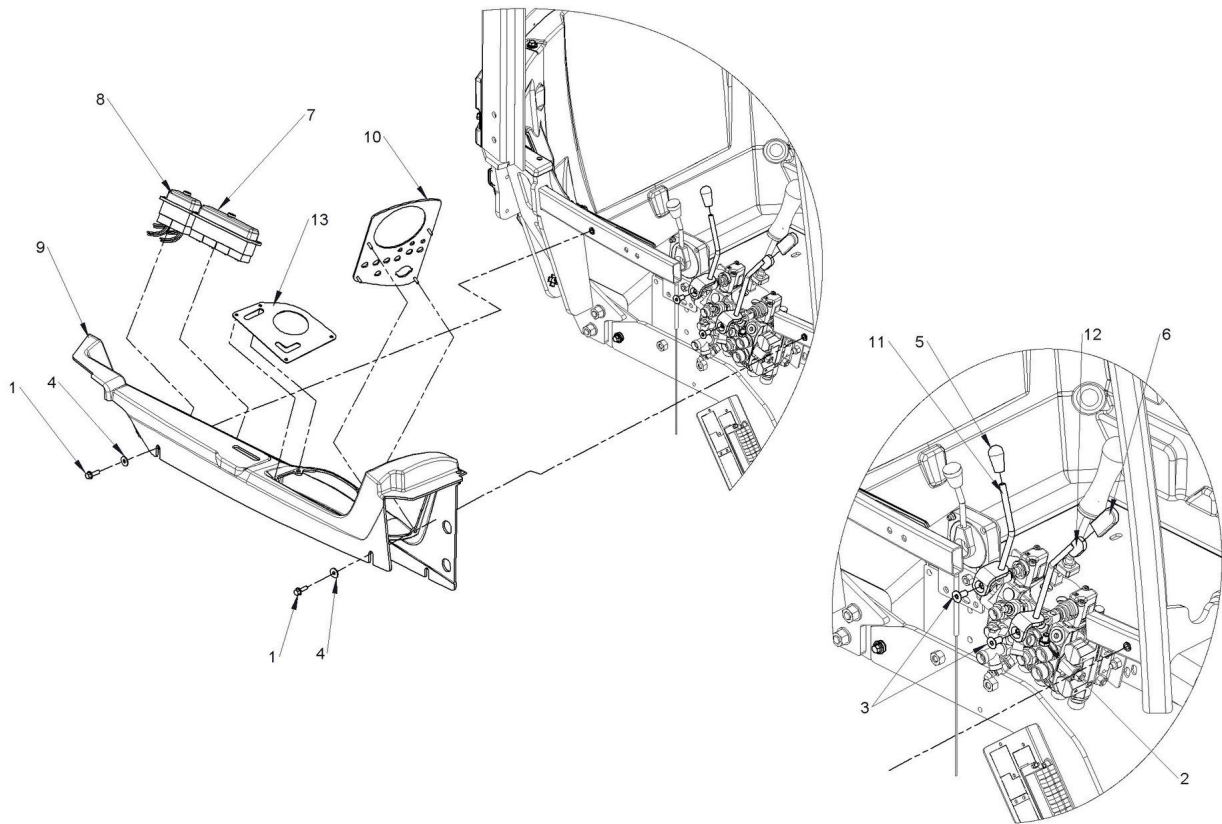
Component list [TAV. 45 FRONT LEFT SIDE]

Pos.	Code	Description	Q.ty
1	C019212	DIN 6921 M6x20 FLANGED HEAD SCREW	3.00000
2	C023110	UNI 6593 LARGE WASHER M6 - 6,5x18x1,5	3.00000
3	C028271	THREAD INSERT M6	1.00000
4	C028285	MULTITHREAD U-TYPE NUT M6	1.00000
5	C041431P	PE FRONT LEFT SIDE COVER	1.00000



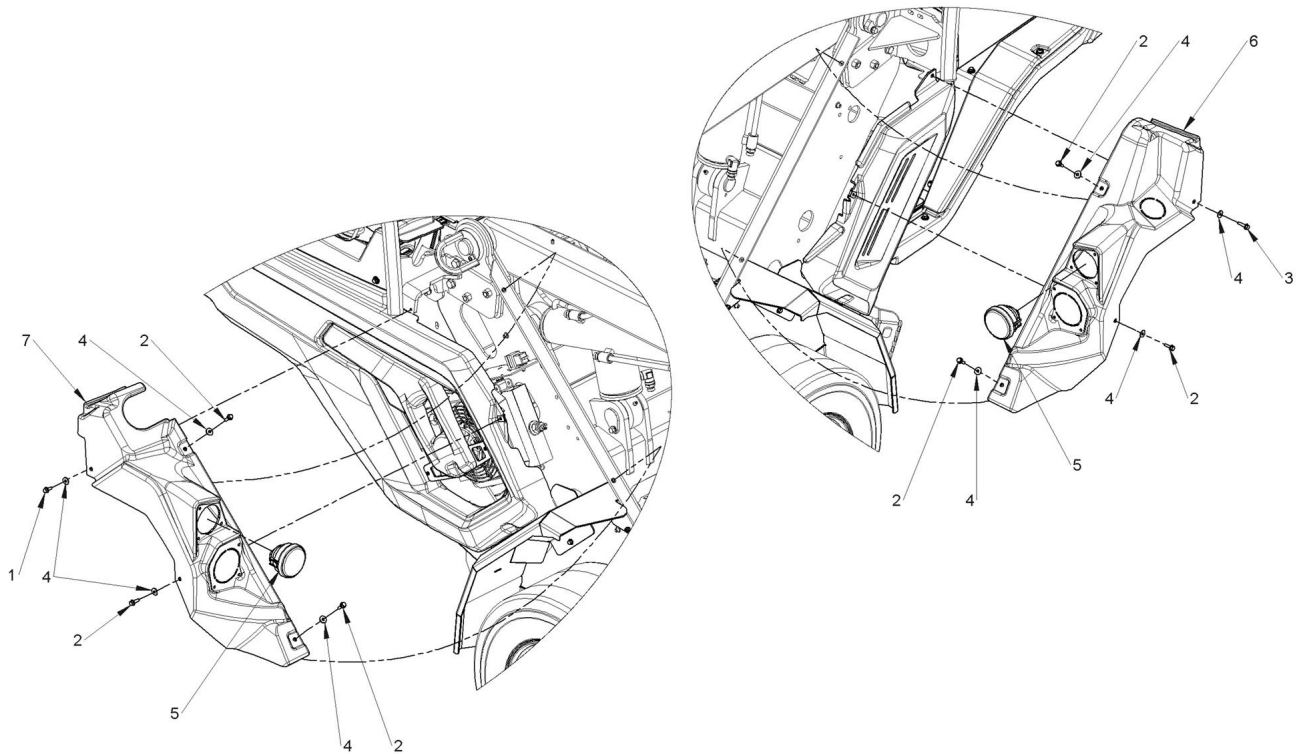
Component list [TAV. 46 RIGHT SIDE]

Pos.	Code	Description	Q.ty
1	C019212	DIN 6921 M6x20 FLANGED HEAD SCREW	5.00000
2	C019213	DIN 6921 M6x25 FLANGED HEAD SCREW	4.00000
3	C021104	UNI 7473 SELF-LOCKING NUT M6	4.00000
4	C023110	UNI 6593 LARGE WASHER M6 - 6,5x18x1,5	9.00000
5	C028285	MULTITHREAD U-TYPE NUT M6	1.00000
6	C028288	THREAD INSERT M6	3.00000
7	C028294	THREAD INSERT M6	2.00000
8	C041454P	PE RIGHT SIDE COVER	1.00000
9	C285163	OIL COOLER FAN PROTECTION	1.00000



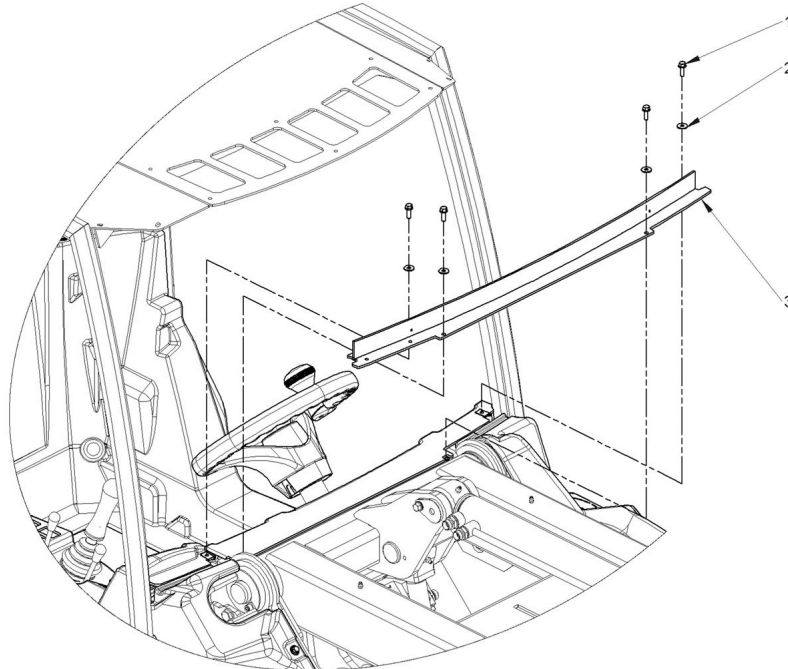
Component list [TAV. 47 RIGHT SIDE DASHBOARD]

Pos.	Code	Description	Q.ty
1	C019212	DIN 6921 M6x20 FLANGED HEAD SCREW	3.00000
2	C020088	UNI 5739 M8x10 HEX HEAD SCREW	1.00000
3	C020227	UNI 5933 M8x18 HEX SOCKET COUNTERSUNK CAP SCREW	2.00000
4	C023110	UNI 6593 LARGE WASHER M6 - 6,5x18x1,5	4.00000
5	C028029	CONICAL BALL KNOBS WITH M8 THREAD	1.00000
6	C028058	PLASTIC BLACK CAP 6x19x70	1.00000
7	C038196	8 WAY FUSEBOX W/KNOB	1.00000
8	C038197	4 WAY FUSEBOX W/KNOB	1.00000
9	C041694	SIDE DASHBOARD M1 6-11 2° GEN	1.00000
10	C277690	DIGITAL INSTRUMENT PANEL M1 6-8.4	1.00000
11	C281657/L	EXTENSIBLE BOOM COMMAND LEVER	1.00000
12	C285896	HYDRAULIC OUTLET COMMAND LEVER 4.2-5.2-7.2-EZ	1.00000
13	C285947	JOYSTICK PLATE M1 7.2 2°GEN	1.00000



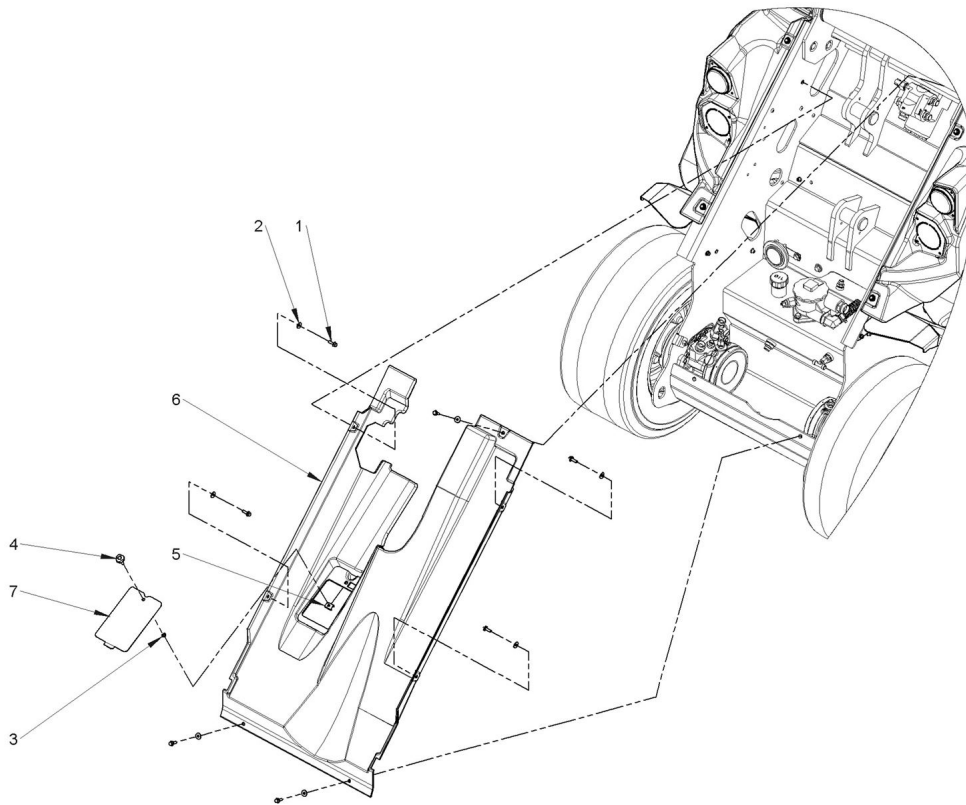
Component list [TAV. 48 WORK LIGHT COVER]

Pos.	Code	Description	Q.ty
1	C019211	DIN 6921 M6x16 FLANGED HEAD SCREW	1.00000
2	C019212	DIN 6921 M6x20 FLANGED HEAD SCREW	6.00000
3	C019213	DIN 6921 M6x25 FLANGED HEAD SCREW	1.00000
4	C023110	UNI 6593 LARGE WASHER M6 - 6,5x18x1,5	8.00000
5	C038168	Ø85 ROUND HALOGEN WORK LIGHT	2.00000
6	C041429P	PE FRONT LEFT LIGHT SUPPORT	1.00000
7	C041430P	PE FRONT RIGHT LIGHT SUPPORT	1.00000



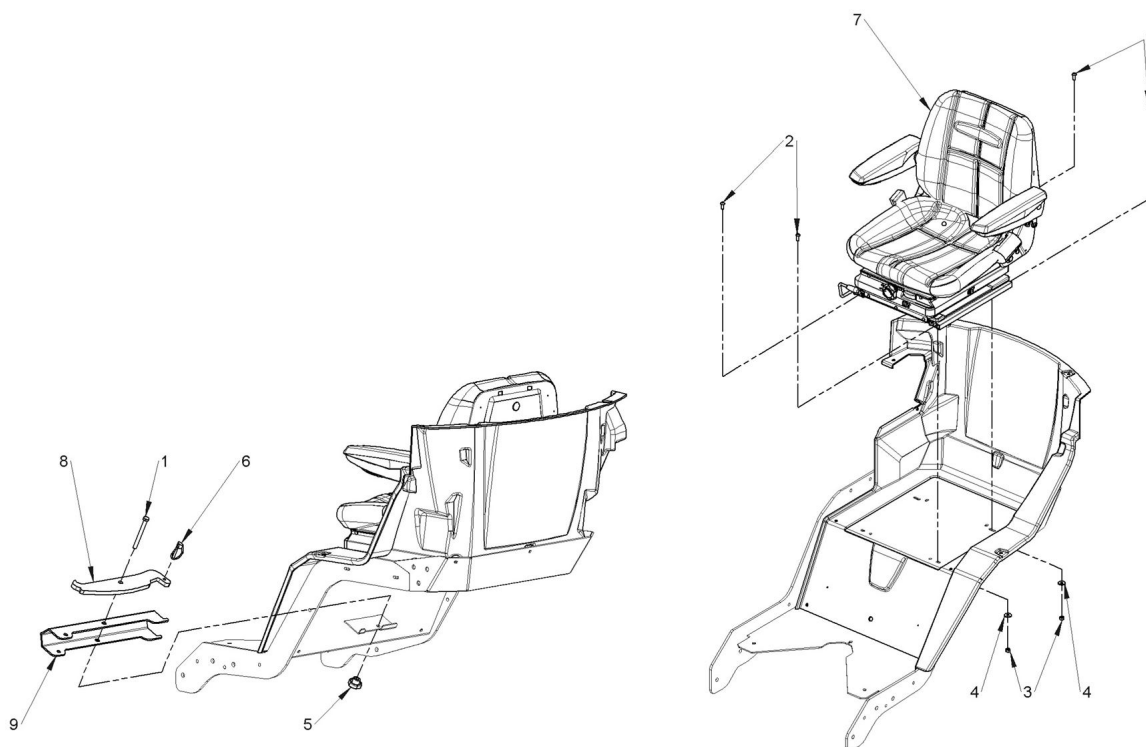
Component list [TAV. 49 WINDSCREEN HOLDER]

Pos.	Code	Description	Q.ty
1	C019212	DIN 6921 M6x20 FLANGED HEAD SCREW	4.00000
2	C023110	UNI 6593 LARGE WASHER M6 - 6,5x18x1,5	4.00000
3	C282239	FRONT GLASS SUPPORT	1.00000



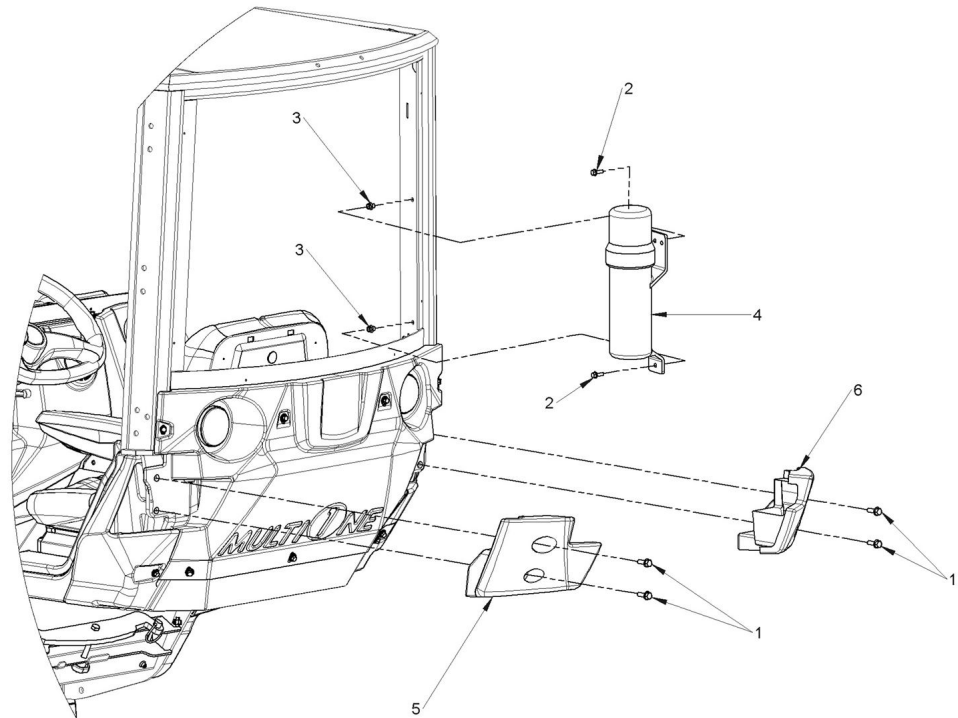
Component list [TAV. 50 UNDERBOOM]

Pos.	Code	Description	Q.ty
1	C019212	DIN 6921 M6x20 FLANGED HEAD SCREW	7.00000
2	C023110	UNI 6593 LARGE WASHER M6 - 6,5x18x1,5	7.00000
3	C023601	SPRING WASHER FOR SHAFT 5 MM	1.00000
4	C028024	THREE-LOBED LOWERED HANDWHEEL WITH M6x20 THREADED PIN	1.00000
5	C028285	MULTITHREAD U-TYPE NUT M6	1.00000
6	C041428P	PE UNDER BOOM COVER	1.00000
7	C281893	OIL TANK INSPECTION DOOR	1.00000



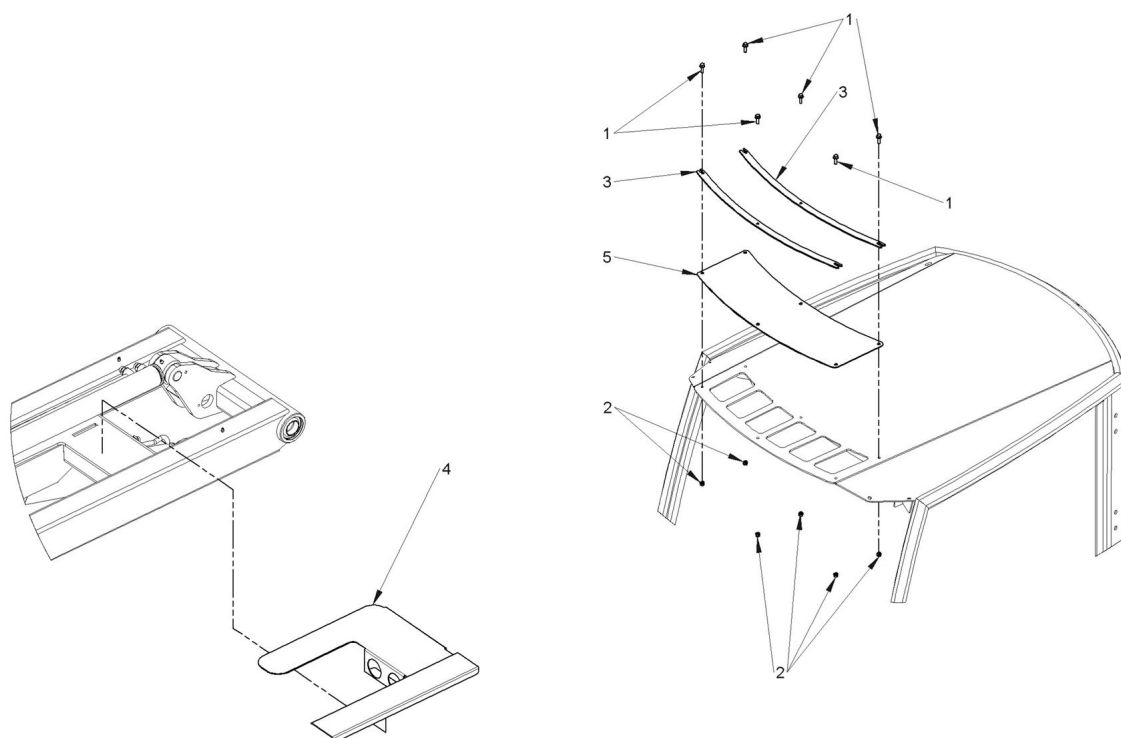
Component list [TAV. 51 SEAT]

Pos.	Code	Description	Q.ty
1	C020113	ISO 4014 M10x100 HEX HEAD SCREW	1.00000
2	C020541	ISO 7380 M8x20 HEX SOCKET OVAL HEAD SCREW	4.00000
3	C021502	SLOTTED AND CASTLE HEXAGON NUTS M8 DIN980	4.00000
4	C023100	UNI 6593 LARGE WASHER M8 - 8,5x24x2	4.00000
5	C028015	FEMALE WHEEL KNOB M10	1.00000
6	C028201	CLICK PIN Ø6 mm	1.00000
7	C036751	FULL SUSPENSION SEAT FOR MULTIONE 6->9 BLACK	1.00000
8	C281782	ARTICULATION LOCK	1.00000
9	C281790	BOOM SAFETY LATCH	1.00000



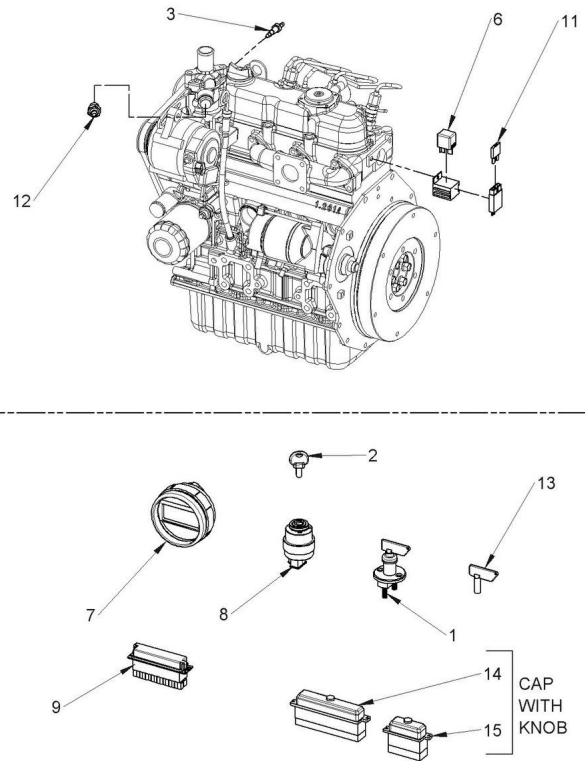
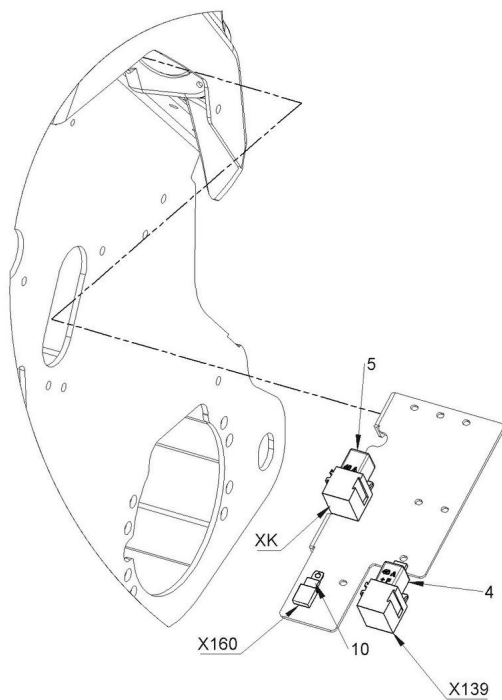
Component list [TAV. 52 REAR BUFFERS]

Pos.	Code	Description	Q.ty
1	C019203	DIN 6921 M8x25 FLANGED HEAD SCREW	4.00000
2	C019212	DIN 6921 M6x20 FLANGED HEAD SCREW	2.00000
3	C028271	THREAD INSERT M6	2.00000
4	C030810	MANUAL HOLDER	1.00000
5	C041386P		1.00000
6	C041387P		1.00000



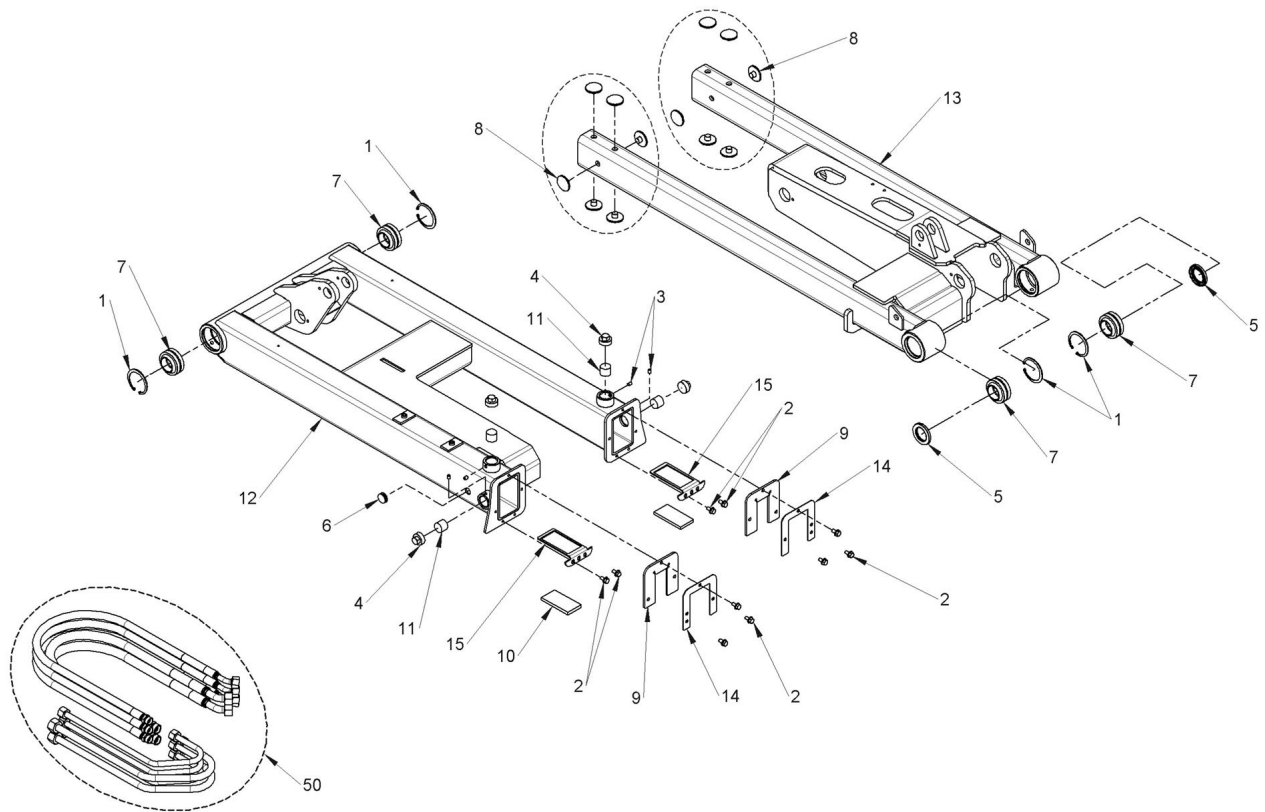
Component list [TAV. 53 TRANSPARENT COVERS]

Pos.	Code	Description	Q.ty
1	C019212	DIN 6921 M6x20 FLANGED HEAD SCREW	6.00000
2	C021104	UNI 7473 SELF-LOCKING NUT M6	6.00000
3	C282352	ROOF PLEXIGLASS FIXING PLATE	2.00000
4	C282370	ANTI-WEAR PROTECTION FOR TUBES	1.00000
5	C283051	ROOF PLEXIGLASS	1.00000



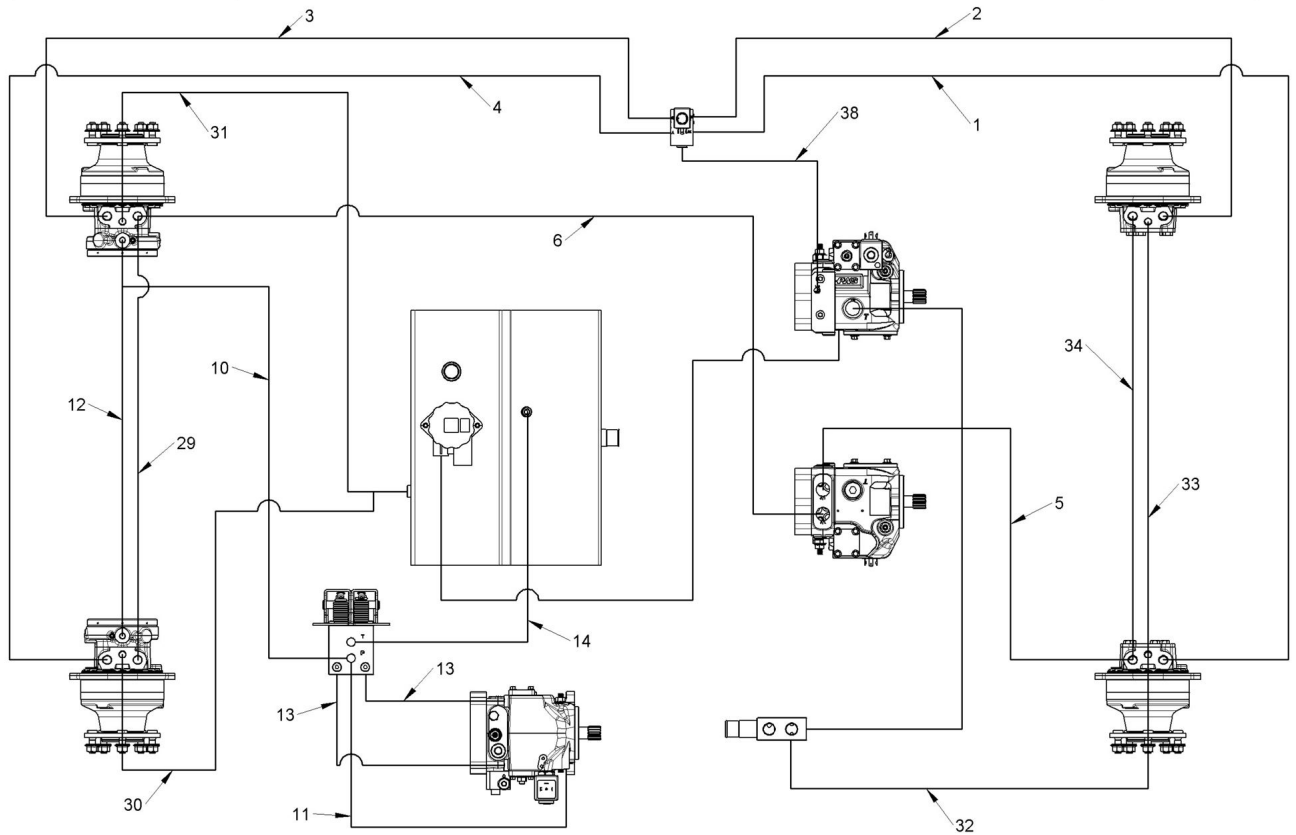
Component list [TAV. 54 ELECTRIC PARTS]

Pos.	Code	Description	Q.ty
1	C036100	100A BATTERY DISCONNECTOR	1.00000
2	C036174	IGNITION KEY	1.00000
3	C038010	KUBOTA WATER TEMPERATURE SENSOR BUZZER ALLARM	1.00000
4	C038149	12 V, 30 RELAY W/FUSE	1.00000
5	C038151	12 V, 40-30 A RELAY	1.00000
6	C038152	12 V, 70 A MAXIRELAY	1.00000
7	C038154	Ø100 LCD DECK	1.00000
8	C038155	IGNITION SWITCH	1.00000
9	C038157	8 LINES FUSE BOX	1.00000
10	C038160	15A FUSE	1.00000
11	C038164	40A MAXI FUSE	1.00000
12	C038171	M16x1,5 CONICAL ENGINE WATER TEMP SENSOR	1.00000
13	C038174	BATTERY SWITCH RED KEY	1.00000
14	C038196	8 WAY FUSEBOX W/KNOB	1.00000
15	C038197	4 WAY FUSEBOX W/KNOB	1.00000



Component list [TAV. 55 BOOM COMPONENTS]

Pos.	Code	Description	Q.ty
1	C018302	BORES SEEGER RING ĩ68 DIN 472	4.00000
2	C019201	DIN 6921 M8x16 FLANGED HEAD SCREW	10.00000
3	C020571	HEXAGON SOCKET SET SCREW WHIT FLAT POINT M8x10 UNI 5923	4.00000
4	C021413	SETTING HEAD 1" G	4.00000
5	C035077	NBR SHAFT SEAL ĩ40x62x7	2.00000
6	C036039	CLOSED FAIRLEAD ĩ19	1.00000
7	C037639	GE 40 FO 2RS RADIAL BALL JOINT	4.00000
8	C281633/L	ROUND SLIDE PAD FOR TELESCOPIC ARM M1 5->10	12.00000
9	C281721	TELESCOPIC ARM RUBBER PROTECTION	2.00000
10	C281734/L	SLIDING PAD	2.00000
11	C281859	SLIDING STUD M1 4->10 SERIES	4.00000
12	C282340	TELESCOPIC BOOM FIXED PART	1.00000
13	C282380	TELESCOPIC BOOM MOBILE PART	1.00000
14	C284487	BOOM RUBBER FIXER	2.00000
15	C284488	SLIDING PAD BOOM BRACKET	2.00000
50	C810497	WEO BOOM HOSES M1 6-7-8, SD 6-7-8	1.00000

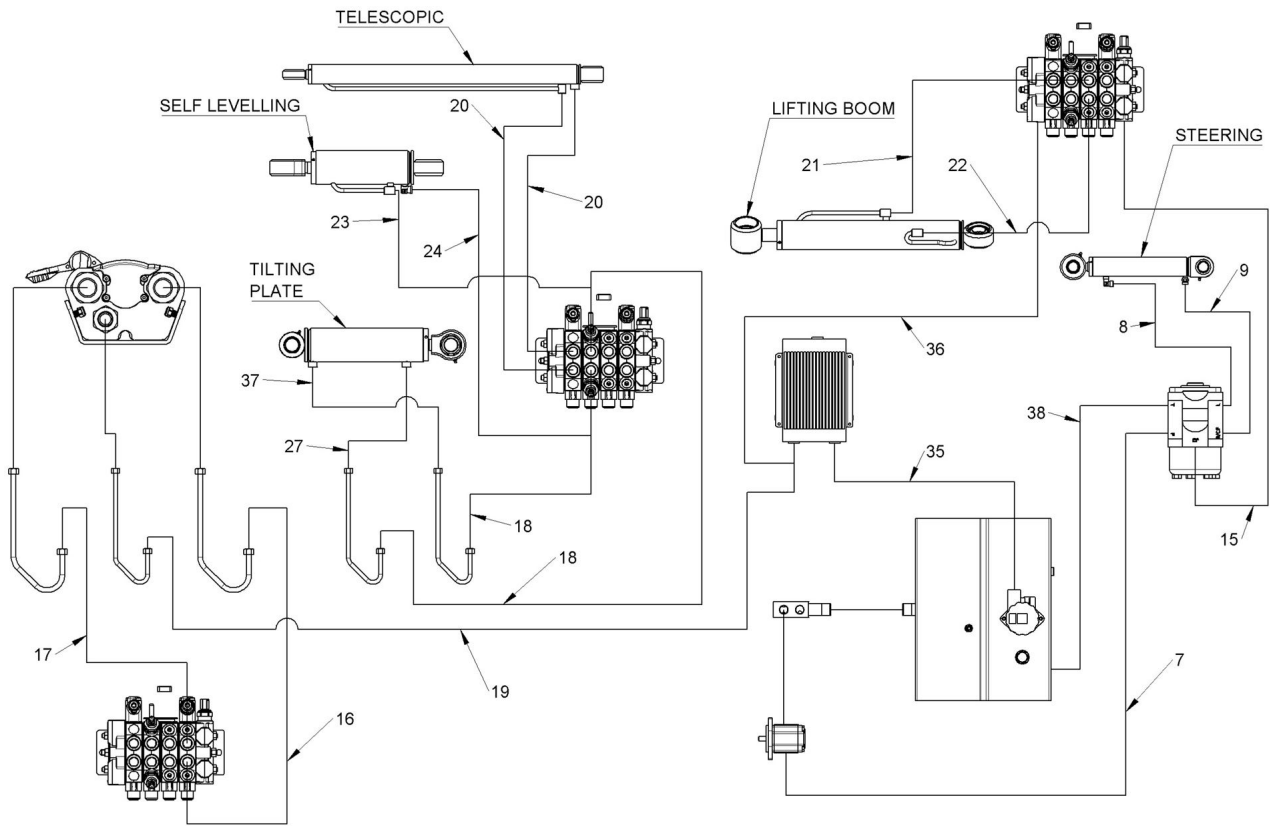


Component list [TAV. 56 TRANSMISSION HYDRAULIC DIAGRAM]

Pos.	Code	Description	Q.ty
1	C810400/01	Hose length(mm): 570 - Pressure rate: MARATH Diameter(inc): 1/2 - Phase:270 1st fitting: F90 16S - 2nd fitting: F45 16S Protection:	1.00000
2	C810400/02	Hose length(mm): 570 - Pressure rate: MARATH Diameter(inc): 1/2 - Phase:315 1st fitting: F90 16S - 2nd fitting: F90 16S Protection:	1.00000
3	C810400/03	Hose length(mm): 1170 - Pressure rate: MARATH Diameter(inc): 1/2 - Phase:135 1st fitting: F45 16S - 2nd fitting: F45 16S Protection:	1.00000
4	C810400/04	Hose length(mm): 1170 - Pressure rate: MARATH Diameter(inc): 1/2 - Phase:100 1st fitting: F45 16S - 2nd fitting: F45 16S Protection:	1.00000
5	C810400/05	Hose length(mm): 520 - Pressure rate: MARATH Diameter(inc): 1/2 - Phase:85 1st fitting: F90 16S - 2nd fitting: F45 16S	1.00000

Protection:

6	C810400/06	Hose length(mm): 1600 - Pressure rate: MARATH Diameter(inc): 1/2 - Phase:80 1st fitting: F90 16S - 2nd fitting: F90 16S Protection:	1.00000
10	C810400/10	Hose length(mm): 430 - Pressure rate: R7 Diameter(inc): 1/4 - Phase:45 1st fitting: F90 8L - 2nd fitting: F45 8L Protection:	1.00000
11	C810400/11	Hose length(mm): 1250 - Pressure rate: 1SC Diameter(inc): 1/4 - Phase: 1st fitting: F90 8L - 2nd fitting: FD 8L Protection:	1.00000
12	C810400/12	Hose length(mm): 360 - Pressure rate: R7 Diameter(inc): 1/4 - Phase: 1st fitting: FD 8L - 2nd fitting: F90 8L Protection:	1.00000
13	C810400/13	Hose length(mm): 1090 - Pressure rate: R7 Diameter(inc): 3/16 - Phase: 1st fitting: F90 6L - 2nd fitting: FD 6L Protection:	2.00000
14	C810400/14	Hose length(mm): 300 - Pressure rate: PILOT Diameter(inc): 1/4 - Phase:220 1st fitting: F90 8L - 2nd fitting: F45 8L Protection:	1.00000
29	C810400/29	Hose length(mm): 430 - Pressure rate: MARATH Diameter(inc): 1/2 - Phase: 1st fitting: F90 16S - 2nd fitting: FD 16S Protection:	1.00000
30	C810400/30		1.00000
31	C810400/31		1.00000
32	C810400/32		1.00000
33	C810400/33		1.00000
34	C810400/34		1.00000
38	C810400/38	Hose length(mm): 500 - Pressure rate: R7 Diameter(inc): 1/4 - Phase: 1st fitting: F45 8L - 2nd fitting: FD 8L Protection:	1.00000



Component list [TAV. 57 SERVICES HYDRAULIC DIAGRAM]

Pos.	Code	Description	Q.ty
7	C810400/07	Hose length(mm): 1600 - Pressure rate: 1SC Diameter(inc): 1/2 - Phase:30 1st fitting: F90 15L - 2nd fitting: F90 15L Protection:	1.00000
8	C810400/08	Hose length(mm): 1380 - Pressure rate: 1SC Diameter(inc): 1/4 - Phase: 1st fitting: F90 12L - 2nd fitting: FD 12L Protection:	1.00000
9	C810400/09	Hose length(mm): 1150 - Pressure rate: 1SC Diameter(inc): 1/4 - Phase:210 1st fitting: F90 12L - 2nd fitting: F45 12L Protection:	1.00000
15	C810400/15	Hose length(mm): 1670 - Pressure rate: 1SC Diameter(inc): 1/2 - Phase: 1st fitting: F45 15L - 2nd fitting: FD 15L Protection:	1.00000
16	C810400/16	Hose length(mm): 1240 - Pressure rate: 1SC Diameter(inc): 1/2 - Phase: 1st fitting: F90 15L - 2nd fitting: MD 15L	1.00000

Protection:PVC

17	C810400/17	Hose length(mm): 1185 - Pressure rate: 1SC Diameter(inc): 1/2 - Phase: 1st fitting: F90 15L - 2nd fitting: MD 15L Protection:PVC	1.00000
18	C810400/18	Hose length(mm): 1270 - Pressure rate: 1SC Diameter(inc): 3/8 - Phase: 1st fitting: F90 12L - 2nd fitting: MD 12L Protection:PVC	2.00000
19	C810400/19	Hose length(mm): 1140 - Pressure rate: PILOT Diameter(inc): 3/8 - Phase: 1st fitting: MD 12L - 2nd fitting: FD 15L Protection:PVC	1.00000
20	C810400/20	Hose length(mm): 1300 - Pressure rate: 1SC Diameter(inc): 3/8 - Phase: 1st fitting: F90 12L - 2nd fitting: FD 12L Protection:PVC	2.00000
21	C810400/21	Hose length(mm): 880 - Pressure rate: 1SC Diameter(inc): 3/8 - Phase: 1st fitting: F90 12L - 2nd fitting: FD 12L Protection:	1.00000
22	C810400/22	Hose length(mm): 880 - Pressure rate: 1SC Diameter(inc): 3/8 - Phase: 1st fitting: F90 12L - 2nd fitting: FD 12L Protection:	1.00000
23	C810400/23	Hose length(mm): 1500 - Pressure rate: 1SC Diameter(inc): 3/8 - Phase: 1st fitting: FD 12L - 2nd fitting: FD 12L Protection:	1.00000
24	C810400/24	Hose length(mm): 1400 - Pressure rate: 1SC Diameter(inc): 3/8 - Phase: 1st fitting: FD 12L - 2nd fitting: FD 12L Protection:	1.00000
27	C810400/27	Hose length(mm): 1370 - Pressure rate: 1SC Diameter(inc): 3/8 - Phase: 1st fitting: MD 12L - 2nd fitting: F45 12L Protection:PVC	1.00000
35	C810400/35	Hose length(mm): 510 - Pressure rate: R4 Diameter(inc): 3/4 - Phase:320 1st fitting: F90 22L - 2nd fitting: F90 22L Protection:	1.00000
36	C810400/36	Hose length(mm): 500 - Pressure rate: PILOT Diameter(inc): 1/2 - Phase: 1st fitting: F45 15L - 2nd fitting: FD 15L Protection:	1.00000
37	C810400/37	Hose length(mm): 1070 - Pressure rate: 1SC Diameter(inc): 3/8 - Phase: 1st fitting: MD 12L - 2nd fitting: F90 12L	1.00000

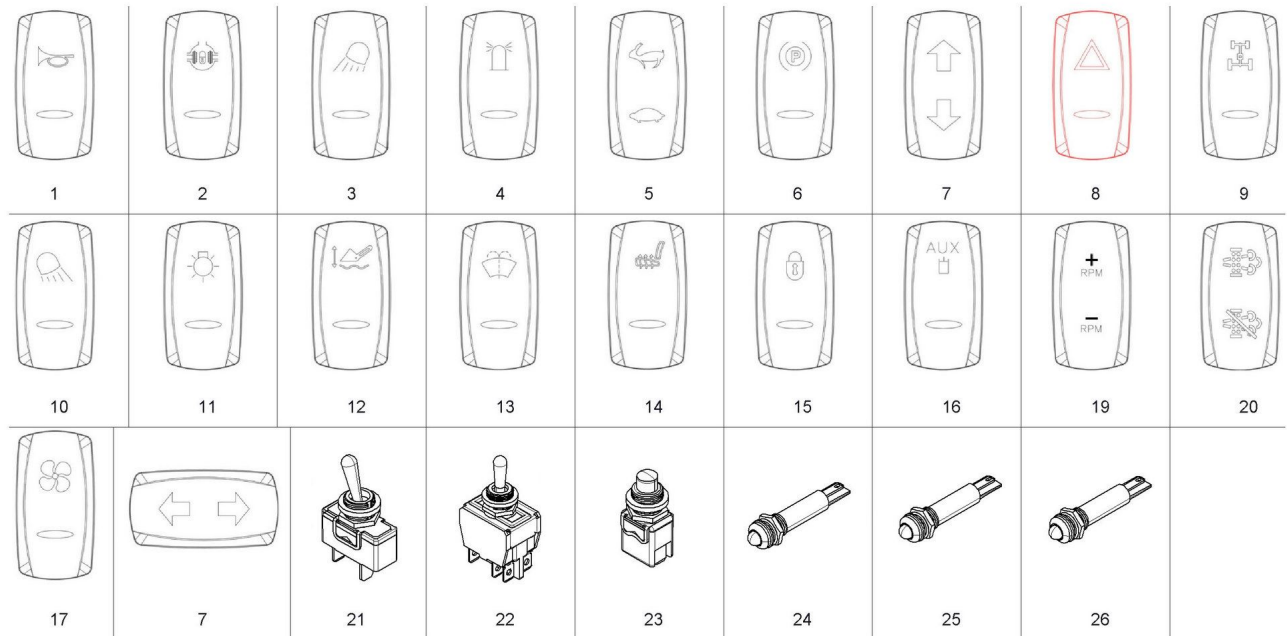


Draft and part list report
Serial n / code M355247 / C962025
Description MULTIONE 7.2K T4F-STAGE5

Protection:PVC

38 C810363/04

1.00000



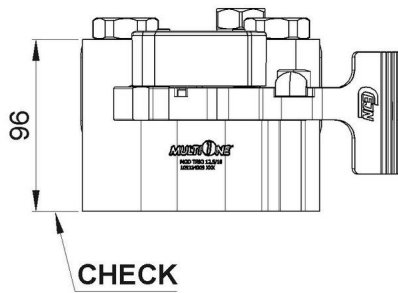
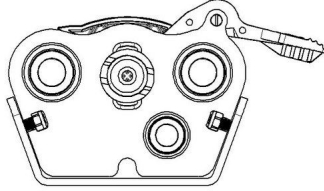
Component list [TAV. 80 ELECTRIC SWITCHES 2ND GEN]

Pos.	Code	Description	Q.ty
1	C038175	COMPLETE HORN SWITCH	1.00000
2	C038176	COMPLETE DBS SWITCH	1.00000
3	C038177	COMPLETE WORK LIGHT SWITCH	1.00000
4	C038178	COMPLETE FLASHING BEACON SWITCH	1.00000
5	C038179	COMPLETE CHANGE SPEED SWITCH	1.00000
6	C038180	COMPLETE PARKING BRAKE SWITCH	1.00000
7	C038181	COMPLETE ELECTRIC SOCKET / LIGHT DIRECTION SWITCH	1.00000
8	C038183	COMPLETE WARNING LIGHT SWITCH	1.00000
9	C038203	COMPLETE TORQUE DIVIDER SWITCH	1.00000
10	C038204	COMPLETE AUXILIARY WORK LIGHT SWITCH	1.00000
11	C038205	COMPLETE ROAD LIGHT SWITCH	1.00000
12	C038206	COMPLETE FLOATING SYSTEM SWITCH	1.00000
13	C038208	COMPLETE WINDSCREEN WASHER SWITCH	1.00000
14	C038209	COMPLETE HEATING SEAT SWITCH	1.00000
15	C038212	COMPLETE ATTACHMENT RELEASE SWITCH	1.00000
16	C038213	COMPLETE FRONT AUX OUTLET SWITCH	1.00000
17	C038214	COMPLETE FAN SWITCH	1.00000

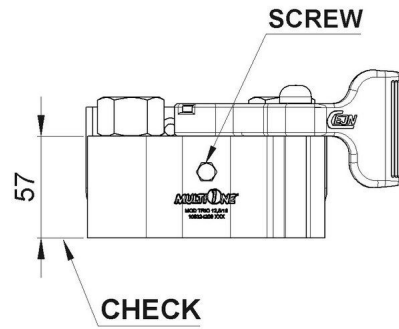
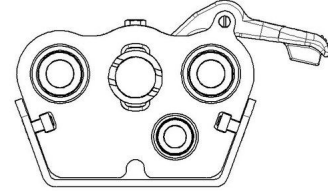


Draft and part list report
Serial n / code M355247 / C962025
Description MULTIONE 7.2K T4F-STAGE5

19	C038215	COMPLETE RPM +/- SWITCH	1.00000
20	C038216	COMPLETE DPF CLEANER SWITCH	1.00000
21	FF180/30.34.08956	LEVER SWITCH ON-OFF, 2 TERMINAL, W/RUBBER	1.00000
22	FF180/30.34.10306	LEVER SWITCH ON-OFF-ON, 6 TERMINAL, W/RUBBER	1.00000
23	C034419	0-1R HORN SWITCH	1.00000
24	C034420	GREEN LED INDICATOR	1.00000
25	C034422	YELLOW LED INDICATOR	1.00000
26	C034423	RED LED INDICATOR	1.00000



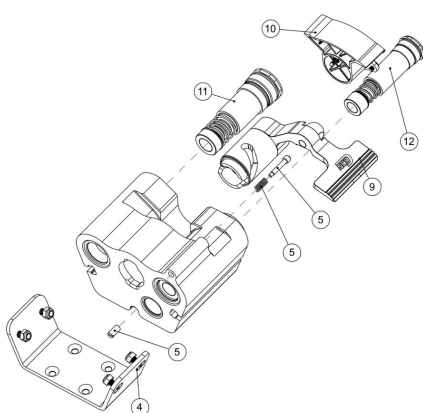
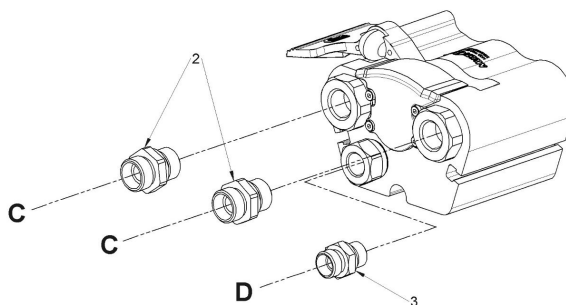
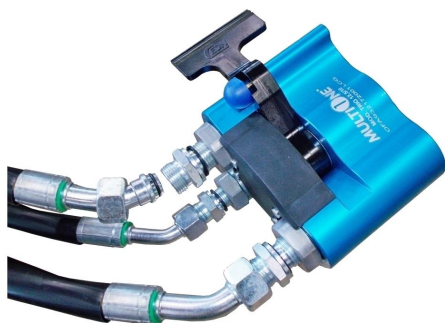
**SECOND GENERATION
 SEE TAV. 92 OR 93**



**THIRD GENERATION
 SEE TAV. 96 OR 97**

Component list [TAV. 89 COMPARE 2nd 3rd GENERATION MULTICONNECTOR MACHINE SIDE]

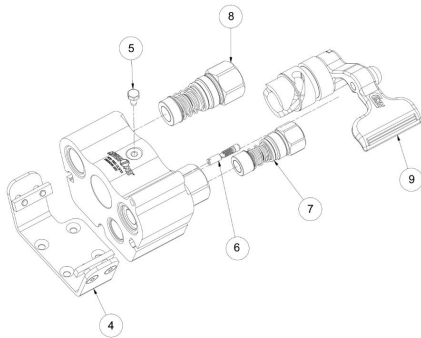
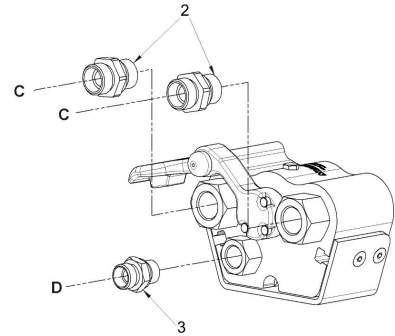
Pos.	Code	Description	Q.ty
------	------	-------------	------



HOSE TYPE	WORK PRES BAR	HOSE DIAMETER	LENGHT RUBBER HOSE	1st FITTING DIN 2353	2nd FITTING DIN 2353
2 SERIES					
"C" PORT HOSES					
1SC	160	1/2"	690	FEMALE STRAIGHT 12L (M18x1,5)	FEMALE 45° 15L (M22x1,5)
1SC	160	1/2"	730	FEMALE 90° 12L (M18x1,5)	FEMALE 45° 15L (M22x1,5)
"D" PORT HOSES					
PILOT	100	3/8"	710	FEMALE 90° 12L (M18x1,5)	FEMALE 45° 12L (M18x1,5)
4-5 SERIES					
"C" PORT HOSES					
1SC	160	1/2"	730	MALE STRAIGHT 15L (M22x1,5)	FEMALE 45° 15L (M22x1,5)
1SC	160	1/2"	780	MALE STRAIGHT 15L (M22x1,5)	FEMALE 45° 15L (M22x1,5)
"D" PORT HOSES					
PILOT	100	3/8"	790	MALE STRAIGHT 12L (M18x1,5)	FEMALE 45° 12L (M18x1,5)
6-7-8 SERIES					
"C" PORT HOSES					
1SC	160	1/2"	970	MALE STRAIGHT 15L (M22x1,5)	FEMALE 45° 15L (M22x1,5)
"D" PORT HOSES					
PILOT	100	3/8"	1060	MALE STRAIGHT 12L (M18x1,5)	FEMALE 45° 12L (M18x1,5)

Component list [TAV. 92 BSP MULTICONNETTORE MACHINE SIDE 2nd GENERATION]

Pos.	Code	Description	Q.ty
2	C033003	MALE-MALE CONNECTOR 1/2" G - 15L	2.00000
3	C033001	MALE-MALE CONNECTOR 3/8" G - 12 L	1.00000
4	FF1187/109324975	MOUNTING BRACKET	1.00000
5	FF1187/109324992	LOCKING LEVER PIN KIT	1.00000
9	FF1187/109324970	LOCKING LEVER KIT	1.00000
10	FF1187/109324971	BACK LID KIT	1.00000
11	FF1187/105651905	BSP 1/2" GAS COUPLING INSERT FEMALE MULTI 2nd GEN	2.00000
12	FF1187/103651903	BSP 3/8" GAS COUPLING INSERT FEMALE MULTI 2nd GEN	1.00000



HOSE TYPE	WORK PRES BAR	HOSE DIAMETER	LENGHT RUBBER HOSE	1st FITTING DIN 2353	2nd FITTING DIN 2353
2 SERIES					
"C" PORT HOSES					
1SC	160	1/2"	690	FEMALE STRAIGHT 12L (M18x1,5)	FEMALE 45° 15L (M22x1,5)
1SC	160	1/2"	730	FEMALE 90° 12L (M18x1,5)	FEMALE 45° 15L (M22x1,5)
"D" PORT HOSES					
PILOT	100	3/8"	710	FEMALE 90° 12L (M18x1,5)	FEMALE 45° 12L (M18x1,5)
4-5 SERIES					
"C" PORT HOSES					
1SC	160	1/2"	730	MALE STRAIGHT 15L (M22x1,5)	FEMALE 45° 15L (M22x1,5)
1SC	160	1/2"	780	MALE STRAIGHT 15L (M22x1,5)	FEMALE 45° 15L (M22x1,5)
"D" PORT HOSES					
PILOT	100	3/8"	790	MALE STRAIGHT 12L (M18x1,5)	FEMALE 45° 12L (M18x1,5)
6-7-8 SERIES					
"C" PORT HOSES					
1SC	160	1/2"	970	MALE STRAIGHT 15L (M22x1,5)	FEMALE 45° 15L (M22x1,5)
"D" PORT HOSES					
PILOT	100	3/8"	1060	MALE STRAIGHT 12L (M18x1,5)	FEMALE 45° 12L (M18x1,5)

Component list [TAV. 96 BSP MULTICONNECTOR 3rd GENERATION MACHINE SIDE]

Pos.	Code	Description	Q.ty
2	C033001	MALE-MALE CONNECTOR 3/8" G - 12 L	2.00000
3	C033003	MALE-MALE CONNECTOR 1/2" G - 15L	1.00000
4	FF1187/109324936	MOUNTING BRACKET	1.00000
5	FF1187/099320921	NOT AVIABLE AS SPARE PARTS	1.00000
6	FF1187/109324992	LOCKING LEVER PIN KIT	1.00000
7	FF1187/103651908	BSP 3/8" GAS COUPLING INSERT FEMALE MULTI 3rd GEN	1.00000
8	FF1187/105651908	BSP 1/2" GAS COUPLING INSERT FEMALE MULTI 3rd GEN	2.00000
9	FF1187/109324951	LOCKING LEVER FEMALE MULTI 3rd GEN	1.00000