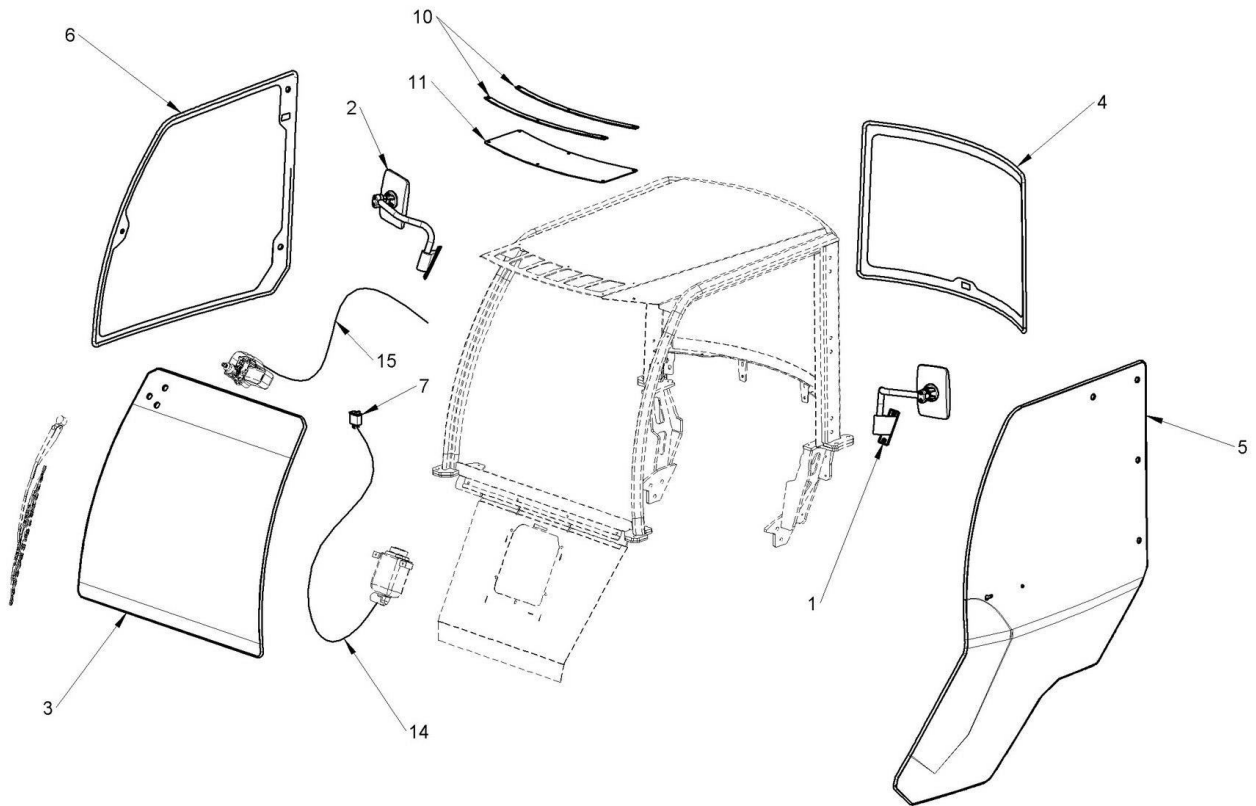


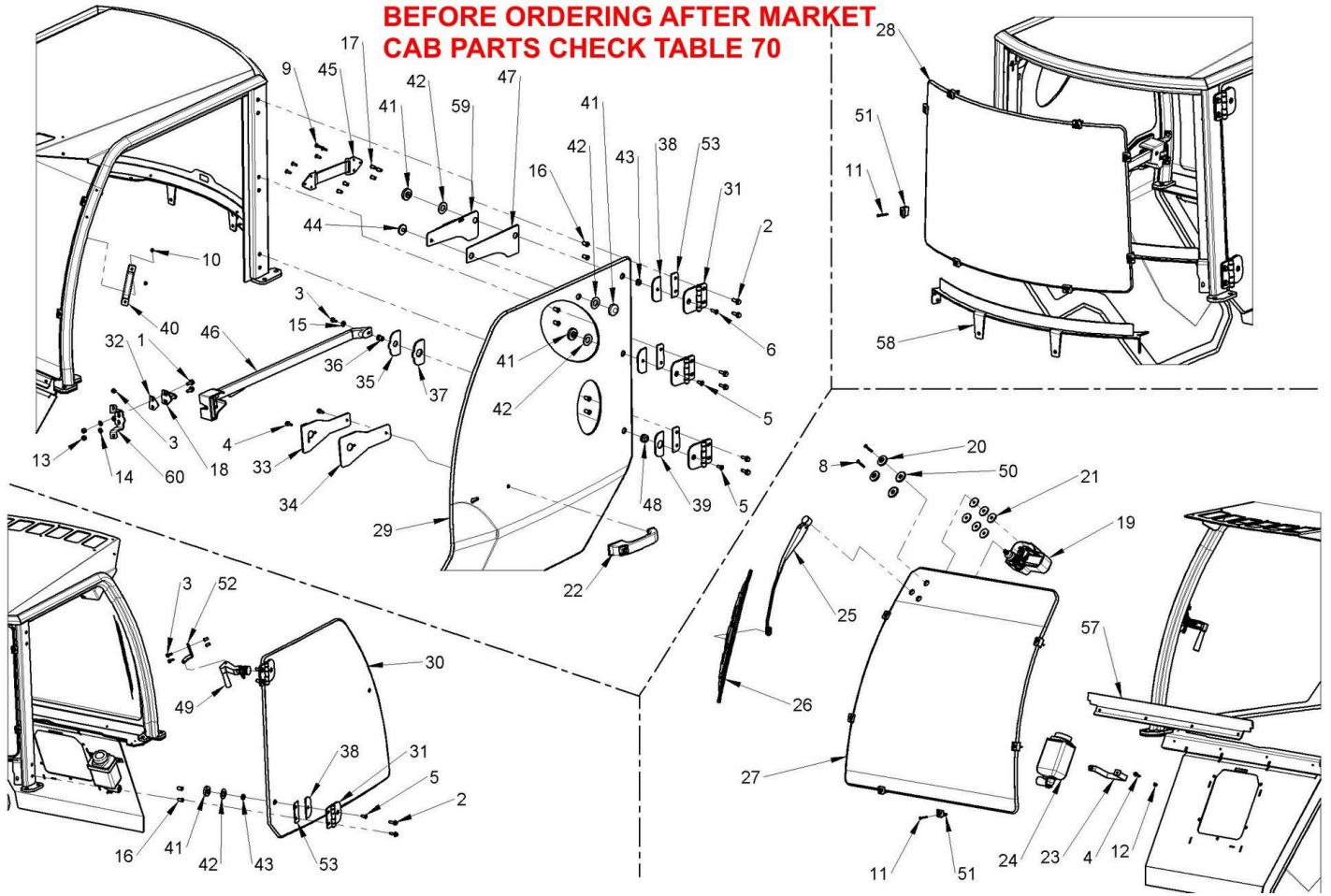
**BEFORE ORDERING AFTER MARKET CAB PARTS CHECK TABLE 70**



Component list [ TAV. 32 M1 SD GLASS CABIN ]

Pos.	Code	Description	Q.ty
1	C028021	LEFT REAR VIEW MIRROR FOR S600/SL800/GT900 CABIN	1.00000
2	C028022	RIGHT REAR VIEW MIRROR FOR S600/SL800/GT900 CABIN	1.00000
3	C034256	WINDSCREEN GLASS WITH SEAL M1 6->9	1.00000
4	C034257	REAR GLASS WITH SEAL M1 SD 6->9	1.00000
5	C034258	DOOR GLASS WITH SEAL M1 SD 6->9	1.00000
6	C034259	RIGHT SIDE GLASS WITH SEAL M1 SD 6->9	1.00000
7	C036161	WINDSCREEN WASHER SWITCH	1.00000
8	C038031	WATER PUMP WIRING FOR WIPER M1	1.00000
9	C038093	WIPER WIRING	1.00000
10	C282352	ROOF PLEXIGLASS FIXING PLATE	2.00000
11	C283051	ROOF PLEXIGLASS	1.00000

**BEFORE ORDERING AFTER MARKET  
 CAB PARTS CHECK TABLE 70**



Component list [ TAV. 33 M1 SD CABIN DETAILS ]

Pos.	Code	Description	Q.ty
1	C019202	HEXAGON FLANGE BOLT M8X20 DIN 6921	2.00000
2	C019203	HEXAGON FLANGE BOLT M8X25 ISO 1665	10.00000
3	C019211	M6x16 BOLT UNI 1665	5.00000
4	C019212	M6x20 BOLT UNI 1665	4.00000
5	C020155	M8X20 SCREW UNI5933	4.00000
6	C020159	SCREW TSPEI 10.9 M8x25 ZB UNI5933	1.00000
7	C020167	HEXAGON SOCKET COUNTERSUNK HEAD CAP SCREW 10.9 M6x30 ZN UNI5933	1.00000
8	C020168	SCREW TSPEI 10.9 M6x40 ZN UNI5933	2.00000
9	C020187	SCREW TSPEI 10.9 M6X20 UNI5933 ZN	5.00000
10	C020212	HEXAGON SOCKET HEAD CAP SCREW M6X25 ZB UNI EN ISO 4762	2.00000
11	C020271	SCREW TSPTC 10.9 M4x35 UNI5933	14.00000
12	C021104	PREVAILING TORQUE-TYPE HEXAGONAL NUTS WITH POLYAMIDE RING M6 UNI 7473	2.00000
13	C021502	SLOTTED AND CASTLE HEXAGON NUTS M8 DIN980	2.00000
14	C023071	PLAIN WASHER M8 8.4x16x1.6 UNI6592	2.00000
15	C023110	PLAIN WASHER LARGE SERIES M6 6.5X18X1.5 DIN9021	1.00000
16	C028270	THREAD INSERT M8	10.00000



**Draft and part list report**  
**Serial n / code M332240 / C967100**  
**Description MULTIONE SD 7.3**

17	C028271	THREAD INSERT M6	9.00000
18	C034023	CABIN DOOR HOLD LATCH	1.00000
19	C034053	WINDSCREEN WIPER ENGINE ITG 12V 90° FOR CABIN	1.00000
20	C034070	PLASTIC STUD FOR GLASS CABIN	2.00000
21	C034072	RUBBER WASHER FOR GLASS CABIN	6.00000
22	C034078	DOOR OUTER LOCK FOR	1.00000
23	C034090	COOLANT TANK BRACKET	1.00000
24	C034170	WIND SCREEN WASHER WATER TANK	1.00000
25	C034190	WIPER ARM FOR CABIN 5 -> 10	1.00000
26	C034191	WIPER BRUSH FOR CABIN 5 -> 10	1.00000
27	C034256	WINDSCREEN GLASS WITH SEAL M1 6->9	1.00000
28	C034257	REAR GLASS WITH SEAL M1 SD 6->9	1.00000
29	C034258	DOOR GLASS WITH SEAL M1 SD 6->9	1.00000
30	C034259	RIGHT SIDE GLASS WITH SEAL M1 SD 6->9	1.00000
31	C034500	METAL HINGE	5.00000
32	C034501	UNDER HOLD LATCH PLASTIC	1.00000
33	C034503	LOCK HOLDER PLATE	1.00000
34	C034504	INNER DOOR HANDLE SEAL	1.00000
35	C034505	SHAPE BAR LOCK HOLDER PLATE	1.00000
36	C034506	KNURLED BUSH	1.00000
37	C034507	REAR BAR RUBBER	1.00000
38	C034508	SMALL HOLE HINGE RUBBER	4.00000
39	C034509	BIG HOLE HINGE RUBBER	1.00000
40	C034510	GRAB HANDLE	1.00000
41	C034516	INNER STUD CABIN	5.00000
42	C034517	Ø40-Ø20-1,5 SEAL	5.00000
43	C034519	Ø20-Ø8-6 SPACER	3.00000
44	C034522	STUD WITH M8X13 PIN	1.00000
45	C034523	{{>desc}}	1.00000
46	C034531	LOCK BAR SHAPE	1.00000
47	C034532	INNER BELT SEAL	1.00000
48	C035038	RUBBER TOP FOR CABIN GLASSES	1.00000
49	C035041	JERKY COMPASS OPENING FOR CABIN	1.00000
50	C274255	GLASS SEAL FOR CABIN	2.00000
51	C274258	GLASS HOLDER FOR CABIN	14.00000
52	C282324	JERKY COMPASS BRACKET	1.00000
53	C282369	HINGE SPACER FOR CABIN M1 6 -> 10	5.00000
54	C284470	REMOVABLE ROLL-BAR FRAME	1.00000
55	C284603	{{>desc}}	1.00000
56	C284608	{{>desc}}	1.00000
57	C284615	FRONTAL GLASS SUPPORT	1.00000
58	C284620	REMOVABLE ROLL-BAR FRAME	1.00000
59	C284625	DOOR BELT FIXING	1.00000
60	C284626	DOOR LATCH SUPPORT	1.00000